



Intel® Ethernet Controller I210 Datasheet

Networking Division (ND)

Features:

- Small package: 9 x 9 mm
- PCIe v2.1 (2.5 GT/s) x1, with Switching Voltage Regulator (iSVR)
- Integrated Non-Volatile Memory (iNVM)
- Three single port SKUs: SerDes, Copper, Copper IT
- Value Part (Intel® Ethernet Controller I211)
- Platform Power Efficiency
 - IEEE 802.3az Energy Efficient Ethernet (EEE)
 - Proxy: ECMA-393 and Windows* logo for proxy offload
- Advanced Features:
 - 0 to 70 °C commercial temperature or -40 to 85 °C industrial temperature
 - Audio-video bridging
 - IEEE 1588/802.1AS precision time synchronization
 - IEEE 802.1Qav traffic shaper (with software extensions)
 - Jumbo frames
 - Interrupt moderation, VLAN support, IP checksum offload
 - PCIe OBFF (Optimized Buffer Flush/Fill) for improved system power management
 - Four transmit and four receive queues
 - RSS and MSI-X to lower CPU utilization in multi-core systems
 - Advanced cable diagnostics, auto MDI-X
 - ECC - error correcting memory in packet buffers
 - Four Software Definable Pins (SDPs)
- Manageability:
 - NC-SI for greater bandwidth pass through
 - SMBus low-speed serial bus to pass network traffic
 - Flexible firmware architecture with secure Flash update
 - MCTP over SMBus/PCIe
 - OS2BMC/CEM (optionally enabled via external Flash)
 - PXE and iSCSI boot

Revision Number: 2.7



No license (express or implied, by estoppel or otherwise) to any intellectual property rights is granted by this document.

Intel disclaims all express and implied warranties, including without limitation, the implied warranties of merchantability, fitness for a particular purpose, and non-infringement, as well as any warranty arising from course of performance, course of dealing, or usage in trade.

This document contains information on products, services and/or processes in development. All information provided here is subject to change without notice. Contact your Intel representative to obtain the latest forecast, schedule, specifications and roadmaps.

The products and services described may contain defects or errors which may cause deviations from published specifications.

Copies of documents which have an order number and are referenced in this document may be obtained by calling 1-800-548-4725 or by visiting www.intel.com/design/literature.htm.

Intel and the Intel logo are trademarks of Intel Corporation in the U.S. and/or other countries.

* Other names and brands may be claimed as the property of others.

© 2015 Intel Corporation.



Revision History

| Rev | Date | Notes |
|-----|---------------|---|
| 2.7 | February 2015 | <ul style="list-style-type: none"> Removed all references to IEEE Std 1149.6-2003, IEEE Standard for Boundary-Scan Testing of Advanced Digital Networks, IEEE, 2003. Updated section 8.27.3.37 (Misc Test - Page 6, Register 26). Removed sections 8.27.3.38 through 8.27.3.43. Updated section 12-4 (Oscillator Support). Added section 12.5.5 (Designing the I210 as a 10/100 Mb/s Only Device). Updated section 12.5.6.4 (Differential Pair Trace Routing for 10/100/1000 Designs). |
| 2.6 | June 2014 | <ul style="list-style-type: none"> Revised section 11.8.1 (replaced W25Q16DWSSIG with W25Q16DVSSIG). |
| 2.5 | February 2014 | <ul style="list-style-type: none"> Replaced figure 2-2. Revised section 3.4 (iNVM). Revised section 3.4.2 (iNVM Structures). Revised section 3.7.8.5.5.1 (Internal PHY Back-to-Back SPD). Revised table 8-6 (Register Summary; PQMPRC[0 - 3]). Revised table 11-11 (Flash I/F Timing Parameters). Revised table 11-17 (Specification for External Clock Oscillator). |
| 2.4 | July 2013 | <ul style="list-style-type: none"> Updated revision history. |
| 2.3 | June 2013 | <ul style="list-style-type: none"> Revised section 1.3.1 (Audio/Video Bridging Support). Revised section 6.7.1.2 (Common Firmware Parameters 1 - Offset 0x1; bit 15). Revised section 7.1.2.10 (Receive-Side Scaling (RSS)). Revised section 7.8.3.1 (Capture Timestamp Mechanism). Revised section 8.21.18 (Flexible Host Filter Table Registers - FHFT (0x9000 + 4*n [n=0...255]; RW); updated note. Revised section 8.27.3.23 (MAC Specific Control Register 1 - Page 2, Register 16; bits 9:8). Revised table 10-37 (Decision Filter Values). |
| 2.2 | April 2013 | <ul style="list-style-type: none"> Updated title page (Platform Power Efficiency description). Revised VPD Area Update Flow description (section 3.3.9.3.2). Revised iNVM description (section 3.4). Added line loopback information (section 3.7.6.6). Revised Acquiring Ownership Over a Shared Resource description (section 4.6.1). Revised Releasing Ownership Over a Shared Resource description (section 4.6.2). Revised Dr Disable Mode description (section 5.2.4.1). Revised Device Rev ID (section 6.2.19). Revised Common Firmware Parameters 1 - Offset 0x1 (section 6.7.1.2). Updated Compatibility (Word 0x03) bit 11 description (section 6.8.1). Updated Setup Options PCIe Function 0 (Word 0x30) bit 5 description (section 6.8.6.1). Added PXE VLAN Flash settings (Sections 6.8.6.5 through 6.8.6.9). Updated Software Semaphore - SWSM (0x5B50; R/W) Removed Firmware Status Register (0x8F0C) entry from Table 8-6. Revised note (changed . . . has both F and L flags off to on (section 10.5.7.1). Revised Specification for XTAL1 (In); table 11.16. Revised Third-Party Magnetics Manufacturers table (section 12.5.3). Added Power Delivery Solutions (section 12.7.1). |



| | | |
|-----|---------------|--|
| 2.1 | November 2012 | <ul style="list-style-type: none">• Revised table 11.1 - Absolute Maximum Ratings• Revised section 12.5.3 - Third-Party Magnetics Manufacturers.• Revised table 12.16 - Absolute Maximum Case Temperature.• Revised table 12.17 - Thermal Simulation Results for Various Environmental Conditions. |
| 2.0 | November 2012 | <p>The following sections were revised:</p> <ul style="list-style-type: none">• 1.0 Introduction.• 3.0 Interconnects.• 6.0 Flash Map.• 7.0 Inline Functions.• 8.0 Programming Interface.• 9.0 PCIe Programming Interface.• 11.0 Electrical/Mechanical Specification.• 12.0 Design Considerations.• 14.0 Diagnostics• Added new section 13.0 - Thermal Considerations. |
| 1.9 | October 2012 | <ul style="list-style-type: none">• Initial Release (Intel Public). |



1.0 Introduction

The Intel® Ethernet Controller I210 (I210) is a single port, compact, low power component that supports GbE designs. The I210 offers a fully-integrated GbE Media Access Control (MAC), Physical Layer (PHY) port and a SGMII/SerDes port that can be connected to an external PHY. The I210 supports PCI Express* [PCIe v2.1 (2.5GT/s)].

The I210 enables 1000BASE-T implementations using an integrated PHY. It can be used for server system configurations such as rack mounted or pedestal servers, in an add-on NIC or LAN on Motherboard (LOM) design. Another possible system configuration is for blade servers as a LOM or mezzanine card. It can also be used in embedded applications such as switch add-on cards and network appliances.

1.1 Scope

This document provides the external architecture (including device operation, pin descriptions, register definitions, etc.) for the I210.

This document is a reference for software device driver developers, board designers, test engineers, and others who may need specific technical or programming information.

1.2 Terminology and Acronyms

Table 1-1. Glossary

| Definition | Meaning |
|-------------|---|
| 1000BASE-BX | 1000BASE-BX is the PICMG 3.1 electrical specification for transmitting 1 Gb/s Ethernet or 1 Gb/s fibre channel encoded data over the backplane. |
| 1000BASE-KX | 1000BASE-KX is the IEEE802.3ap electrical specification for transmitting 1 Gb/s Ethernet over the backplane. |
| 1000BASE-CX | 1000BASE-X over specialty shielded 150 Ω balanced copper jumper cable assemblies as specified in IEEE 802.3 Clause 39. |
| 1000BASE-T | 1000BASE-T is the specification for 1 Gb/s Ethernet over category 5e twisted pair cables as defined in IEEE 802.3 clause 40. |
| AEN | Asynchronous Event Notification |
| b/w | Bandwidth. |
| BIOS | Basic Input/Output System. |
| BMC | Baseboard Management Controller - often used interchangeably with Manageability Controller (MC). |
| BT | Bit Time. |
| CRC | Cyclic redundancy check |
| DCA | Direct Cache Access. |



Table 1-1. Glossary (Continued)

| Definition | Meaning |
|--------------------------|--|
| DDOFF | Dynamic Device Off |
| DFT | Design for Testability. |
| DQ | Descriptor Queue. |
| DMTF | Distributed Management Task Force standard body. |
| DW | Double word (4 bytes). |
| EEE | Energy Efficient Ethernet - IEEE802.3az standard |
| EEPROM | Electrically Erasable Programmable Memory. A non-volatile memory located on the LAN controller that is directly accessible from the host. |
| EOP | End of Packet. |
| FC | Flow Control. |
| FCS | Frame Check Sequence. |
| Firmware (FW) | Embedded code on the LAN controller that is responsible for the implementation of the NC-SI protocol and pass through functionality. |
| Host Interface | RAM on the LAN controller that is shared between the firmware and the host. RAM is used to pass commands from the host to firmware and responses from the firmware to the host. |
| HPC | High - Performance Computing. |
| IPC | Inter Processor Communication. |
| IPG | Inter Packet Gap. |
| IPMI | Intelligent Platform Management Interface specification |
| LAN (auxiliary Power-Up) | The event of connecting the LAN controller to a power source (occurs even before system power-up). |
| LLDP | Link Layer Discovery Protocol defined in IEEE802.1AB used by IEEE802.3az (EEE) for system wake time negotiation. |
| LOM | LAN on Motherboard. |
| LPI | Low Power Idle - Low power state of Ethernet link as defined in IEEE802.3az. |
| LSO | Large Send Offload. |
| LTR | Latency Tolerance Reporting (PCIe protocol) |
| iSVR | Integrated Switching Voltage Regulator |
| MAC | Media Access Control. |
| MC | Management Controller |
| MCTP | DMTF Management Component Transport Protocol (MCTP) specification. A transport protocol to allow communication between a management controller and controlled device over various transports. |
| MDIO | Management Data Input/Output Interface over MDC/MDIO lines. |
| MIFS/MIPG | Minimum Inter Frame Spacing/Minimum Inter Packet Gap. |
| MMW | Maximum Memory Window. |
| MSS | Maximum Segment Size. Largest amount of data, in a packet (without headers) that can be transmitted. Specified in Bytes. |
| MPS | Maximum Payload Size in PCIe specification. |
| MTU | Maximum Transmit Unit. Largest packet size (headers and data) that can be transmitted. Specified in Bytes. |
| NC | Network Controller. |
| NC-SI | Network Controller Sideband Interface DMTF Specification |
| NIC | Network Interface Controller. |
| OBFF | Optimized Buffer Flush/Fill (PCIe protocol). |
| TPH | TLP Process Hints (PCIe protocol). |

**Table 1-1. Glossary (Continued)**

| Definition | Meaning |
|------------|---|
| PCS | Physical Coding Sub layer. |
| PHY | Physical Layer Device. |
| PMA | Physical Medium Attachment. |
| PMD | Physical Medium Dependent. |
| SA | Source Address. |
| SDP | Software Defined Pins. |
| SerDes | serializer/deserializer. A transceiver that converts parallel data to serial data and vice-versa. |
| SFD | Start Frame Delimiter. |
| SGMII | Serialized Gigabit Media Independent Interface. |
| SMBus | System Management Bus. A bus that carries various manageability components, including the LAN controller, BIOS, sensors and remote-control devices. |
| SVR | Switching Voltage Regulator |
| TCO | Total Cost of Ownership (TCO) System Management. |
| TLP | Transaction Layer Packet in the PCI Express specification. |
| TSO | Transmit Segmentation offload - A mode in which a large TCP/UDP I/O is handled to the device and the device segments it to L2 packets according to the requested MSS. |
| VLAN | Virtual LAN |
| VPD | Vital Product Data (PCI protocol). |

1.2.1 External Specification and Documents

The I210 implements features from the following specifications.

1.2.1.1 Network Interface Documents

1. IEEE standard 802.3, 2006 Edition (Ethernet). Incorporates various IEEE Standards previously published separately. Institute of Electrical and Electronic Engineers (IEEE).
2. IEEE standard 1149.1, 2001 Edition (JTAG). Institute of Electrical and Electronics Engineers (IEEE)
3. IEEE standard 802.1Q for VLAN
4. PICMG3.1 Ethernet/Fibre Channel Over PICMG 3.0 Draft Specification, January 14, 2003, Version D1.0
5. Serial-GMII Specification, Cisco Systems document ENG-46158, Revision 1.7
6. INF-8074i Specification for SFP (Small Form factor Pluggable) Transceiver (<ftp://ftp.seagate.com/sff>)
7. IEEE Std 802.3ap-2007
8. IEEE 1588TM Standard for a Precision Clock Synchronization Protocol for Networked Measurement and Control Systems, November 8 2002
9. IEEE 802.1AS Timing and Synchronization for Time- Sensitive Applications in Bridged Local Area Networks Draft 2.0, February 22, 2008
10. IEEE 802.1BF Ethernet Support for the IEEE P802.1AS Time Synchronization Protocol Task Force
11. IEEE 802.3az Energy Efficient Ethernet Draft 1.4, May 2009
12. 802.1BA - Audio Video Bridging (AVB) Systems
13. 802.1Qav - Forwarding and Queuing Enhancements for Time-Sensitive Streams



1.2.1.2 Host Interface Documents

1. PCI-Express 2.1 Base specification
2. PCI Specification, version 3.0
3. PCI Bus Power Management Interface Specification, Rev. 1.2, March 2004
4. Advanced Configuration and Power Interface Specification, Rev 2.0b, October 2002

1.2.1.3 Networking Protocol Documents

1. IPv4 specification (RFC 791)
2. IPv6 specification (RFC 2460)
3. TCP/UDP specification (RFC 793/768)
4. SCTP specification (RFC 2960)
5. ARP specification (RFC 826)
6. Neighbor Discovery for IPv6 (RFC 2461)
7. EUI-64 specification, <http://standards.ieee.org/regauth/oui/tutorials/EUI64.html>.

1.2.1.4 Manageability Documents

1. DMTF Network Controller Sideband Interface (NC-SI) Specification rev 1.0.0, May 2009
2. Management Component Transport Protocol (MCTP) Base Specification, rev 1.1.0, 4/22/2010 which specifies the Management Component Transport Protocol (MCTP)
3. Management Component Transport Protocol (MCTP) SMBus/I2C Transport Binding Specification, rev 1.0.0, 7/28/2009 which describes the binding of MCTP over SMBus.
4. Management Component Transport Protocol (MCTP) PCIe VDM Transport Binding Specification, rev 1.0.1, 12/11/2009 which describes the binding of MCTP over PCI Express.
5. Management Component Transport Protocol (MCTP) IDs and Codes, rev 1.1.0, 11/3/2009 which describes constants used by MCTP specs.
6. Document: dmtf.org/sites/default/files/standards/documents/DSP0236_1.1.0.pdf
7. NC-SI Over MCTP Specification, draft 0.4.3c, 8/2008 which describe the encapsulation of NC-SI packets in MCTP.
8. System Management Bus (SMBus) Specification, SBS Implementers Forum, Ver. 2.0, August 2000

1.2.1.5 Proxy Documents

1. proxZZzy™ for sleeping hosts, February 2010 (ECMA-393)
2. mDNS Offload - Draft 1.0, May 2010

1.3 Product Overview

The I210 supports a SerDes or SGMII port for a MAC-to-MAC blade server connection or a MAC-to-external PHY connections. Alternatively, the internal 1000BASE-T PHYs can be used to implement a single port NIC or LOM design.

The I210 targets server system configurations such as rack mounted or pedestal servers, where the I210 can be used as add-on NIC or LOM design. Another system configuration is blade servers, where it can be used on Mezzanine card or LOM. The I210 can also be used in embedded applications such as switch add-on cards and network appliances.



1.3.1 Audio/Video Bridging Support

The I210 supports IEEE 802.1 Audio Video Bridging (AVB) specifications. The draft AVB standards are designed to work over widely-used IEEE 802 layer 2 networks. These new standards provide networking features for tightly controlled media stream synchronization, buffering and reservation. The IEEE 802.1AVB task group is working on an interoperability standards for systems based on the AVB document set. This provides a complete list of parameters to plug into the various standards that are needed to build an AVB system. A simple grid of features versus market has been created as a first cut to describe four proposed interoperability profiles. Those profiles include Consumer Electronics, Professional A/V, Industrial, and Automotive. Use of AVB enables higher layer protocols and applications to realize professional-quality A/V even if there are various lower-layer network links in the path between endpoint devices.

The I210 implements 4 receive queues and 4 transmit queues, where up to two queues are dedicated for stream reservation or priority, and up to three queues for strict priority. In Qav mode, the MAC flow control is disabled. Note that Qav mode is supported only in 100 Mb/s and 1000 Mb/s. Furthermore, Qav is supported only in full-duplex mode with no option for Jumbo packets transmission.

1.4 External Interface

1.4.1 PCIe Interface

The PCIe v2.1 (2.5GT/s) Interface is used by the I210 as a host interface. The interface only supports the PCIe v2.1 (2.5GT/s) rate and is configured to x1. The maximum aggregated raw bandwidth for a typical PCIe v2.1 (2.5GT/s) configuration is 4 Gb/s in each direction. Refer to [Section 2.3.1](#) for a full pin description. The timing characteristics of this interface are defined in the PCI Express Card Electromechanical Specification rev 2.0 and in the PCIe v2.1 (2.5GT/s) specification.

1.4.2 Network Interfaces

Three independent interfaces are used to connect the I210 port to external devices. The following protocols are supported:

- MDI (copper) support for standard IEEE 802.3 Ethernet interface for 1000BASE-T, 100BASE-TX, and 10BASE-T applications (802.3, 802.3u, and 802.3ab)
- SerDes interface to connect over a backplane to another SerDes compliant device or to an optical module. The I210 supports both 1000BASE-BX and 1000BASE-KX (Without IEEE802.3ap backplane auto-negotiation)
- SGMII interface to attach to an external PHY, either on board or via an SFP module. The SGMII interface shares the same pins as the SerDes interface.

Refer to [Section 2.3.6](#) for full pin description, [Section 11.6.3](#), and [Section 11.6.5](#) for timing characteristics of this interface.

1.4.3 Internal Non-Volatile Memory (iNVM)

The I210 stores product configuration information in an Internal Non-Volatile Memory (iNVM) and in Flash memory. The I210 does not support an external EEPROM. The I210 supports a Flash-less mode where all the setup found normally in Flash memory are either set to their default, configured by software, or stored into memory.



Note: When operated in Flash-less mode with an external PHY (such as the I210 SGMII SKU), no link up is made possible after power up before the driver configures the external PHY. It means that in such case, WoL is not supported when the system passes through the following states: G3 --> S5 --> WoL.

1.4.4 Serial Flash Interface

The I210 provides an external SPI serial interface to a Flash for storing product configuration information and a boot ROM device such as the Winbond W25X80-BVSNIG or compatible Flash device. Refer to [Section 11.8.1](#) for a list of validated or compatible Flash devices. The I210 supports serial Flash devices with up to 64 Mb (8 MB) of memory. The size of the Flash used by the I210 can be configured by the Flash itself. Refer to [Section 2.3.2](#) for full pin description and [Section 11.6.2.4](#) for timing characteristics of this interface.

Note: Though the I210 supports devices with up to 8 MB of memory, bigger devices can also be used. Accesses to memory beyond the Flash device size results in access wrapping as only the lower address bits are used by the Flash device.

1.4.5 SMBus Interface

SMBus is an optional interface for pass-through and/or configuration traffic between a Manageability Controller (MC) and the I210.

The I210's SMBus interface can be configured to support both slow and fast timing modes (up to 1Mb/s). Refer to [Section 2.3.3](#) for full pin description and [Section 11.6.2.2](#) for timing characteristics of this interface.

1.4.6 NC-SI Interface

NC-SI and SMBus interfaces are optional for pass-through and/or configuration traffic between a MC and the I210. The NC-SI interface meets the DMTF NC-SI Specification, Rev. 1.0.0 as an integrated Network Controller (NC) device.

See [Section 2.3.4](#) for full pin description and [Section 11.6.2.5](#) for timing characteristics of this interface.

1.4.7 MDIO/I²C 2-Wire Interfaces

The I210 implements a management Interface to control an optional external PHY. The interface can be either a 2-wire Standard-mode I²C interface used to control an SFP module or an MII Management Interface (also known as the Management Data Input/Output or MDIO Interface) for control plane connection between the MAC and PHY devices (master side). This interface provides the MAC and software with the ability to monitor and control the state of the external PHY. The I210 supports the data formats defined in IEEE 802.3 clause 22.

Refer to [Section 2.3.6](#) for a full pin description, [Section 11.6.2.7](#) for MDIO timing characteristics, and [Section 11.6.2.3](#) for I²C timing characteristics of this interface.

The I²C interface can alternatively be run over the SDP 0 and SDP2 pins. This can be useful when the I210 operates with a copper PHY since the dedicated SFPx_I2C pins are not available in this mode for the control of other external devices.



1.4.8 Software-Definable Pins (SDP) Interface (General-Purpose I/O)

The I210 has four software-defined pins (SDP pins) that can be used for IEEE1588 auxiliary device connections, enable/disable of the device, and for other miscellaneous hardware or software-control purposes. These pins can be individually configurable to act as either standard inputs, General-Purpose Interrupt (GPI) inputs or output pins (refer to [Section 6.2.21](#), [Section 8.2.1](#) and [Section 8.2.3](#)), as well as the default value of all pins configured as outputs. Information on SDP usage can be found in [Section 3.5](#) and [Section 7.8.3.3](#). Refer to [Section 2.3.7](#) for pin description of this interface.

1.4.9 LED Interface

The I210 implements three output drivers intended for driving external LED circuits. Each of the three LED outputs can be individually configured to select the particular event, state, or activity, which is indicated on that output. In addition, each LED can be individually configured for output polarity as well as for blinking versus a non-blinking (steady-state) indication.

The configuration for LED outputs is specified via the LEDCTL register. Furthermore, the hardware-default configuration for all LED outputs can be specified via Flash fields (refer to [Section 6.2.18](#) and [Section 6.2.20](#)), thereby supporting LED displays configurable to a particular OEM preference.

Refer to [Section 2.3.6](#) for full pin description of this interface.

Refer to [Section 7.5](#) for more detailed description of LED behavior.

1.5 Features

[Table 1-2](#) to [Table 1-9](#) list the I210 and I211 features and compares them to other products.

Table 1-2. I210 Features

| Feature | I210 | I211 | I350 | 82574 |
|---|----------------|------|-------------|-------|
| Number of ports | 1 | 1 | 4 | 1 |
| Serial Flash interface | Y ¹ | N | Y | Y |
| Integrated NVM (iNVM) | Y ² | Y | N | N |
| 4-wire SPI EEPROM interface | N | N | Y | Y |
| Configurable LED operation for software or OEM custom-tailoring of LED displays | Y | Y | Y | Y |
| Protected Flash space for private configuration | Y ¹ | N | Y | Y |
| Device disable capability | Y | Y | Y | Y |
| Package size (mm x mm) | 9x9 | 9x9 | 17x17/25x25 | 9x9 |
| Embedded thermal sensor | N | N | Y | N |
| Embedded thermal diode | N | N | Y | N |
| Watchdog timer | Y | Y | Y | Y |
| Feature | I210 | I211 | I350 | 82574 |
| Boundary-Scan IEEE 1149.1 | Y | Y | Y | Y |
| Boundary-Scan IEEE 1149.6 | N | N | Y | N |
| Industrial temp (special SKU) | Y | N | N | Y |

1. Not applicable in Flash-less I210 operation.

2. Flash-less I210 operation is supported (with no support for manageability related functionalities). Refer to the note that describes the limitation in [Section 1.4.3](#).



Table 1-3. Network Features

| Feature | I210 | I211 | I350 | 82574 |
|--|--------|--------|------------------------|--------|
| Half duplex at 10/100 Mb/s operation and full duplex operation at all supported speeds | Y | Y | Y | Y |
| 10/100/1000 copper PHY integrated on-chip | 1 port | 1 port | 4 ports | 1 port |
| Jumbo frames supported | Y | Y | Y | Y |
| Size of jumbo frames supported | 9.5 KB | 9.5 KB | 9.5 KB | 9018B |
| Flow control support: send/receive PAUSE frames and receive FIFO thresholds | Y | Y | Y | Y |
| Statistics for management and RMON | Y | Y | Y | Y |
| 802.1q VLAN support | Y | Y | Y | Y |
| 802.3az EEE support | Y | Y | Y | N |
| MDI flip | N | N | Y | N |
| SerDes interface for external PHY connection or system interconnect | Y | N | 4 ports | N |
| 1000BASE-KX interface for blade server backplane connections | Y | N | Y | N |
| 802.3ap Backplane Auto-negotiation | N | N | N | N |
| SGMII interface for external 1000BASE-T PHY connection | 1 port | N | 4 ports | N |
| Fiber/copper auto-sense | N | N | 4 ports | N/A |
| SerDes support of non-auto-negotiation partner | Y | N | Y | N |
| SerDes signal detect | Y | N | Y | N |
| External PHY control I/F MDC/MDIO 2-wire I/F | Y | N | Shared or per function | N |

Table 1-4. Host Interface Features

| Feature | I210 | I211 | I350 | 82574 |
|--|----------------|--------|-------------------------------|-------|
| PCIe revision | 2.1 | 2.1 | 2.1 (5 Gb/s or 2.5 Gb/s) | 1.1 |
| PCIe physical layer | Gen 1 | Gen 1 | Gen 2 | Gen 1 |
| Bus width | x1 | x1 | x1, x2, x4 | x1 |
| 64-bit address support for systems using more than 4 GB of physical memory | Y | Y | Y | Y |
| Outstanding requests for Tx buffers per port | 6 | 6 | 24 per port and for all ports | 4 |
| Outstanding requests for Tx descriptors per port | 1 | 1 | 4 per port and for all ports | 2 |
| Outstanding requests for Rx descriptors per port | 1 | 1 | 4 per port and for all ports | 2 |
| Credits for posted writes | 4 | 4 | 4 | 4 |
| Max payload size supported | 512 B | 512 B | 512 B | 512 B |
| Max request size supported | 2 KB | 2 KB | 2 KB | 2 KB |
| Link layer retry buffer size | 3.2 KB | 3.2 KB | 3.2 KB | 2 KB |
| Vital Product Data (VPD) | Y ¹ | N | Y | Y |

**Table 1-4. Host Interface Features (Continued)**

| Feature | I210 | I211 | I350 | 82574 |
|------------------------------------|--------------------|------|------|-------|
| VPD size | 1024B ¹ | N/A | 256B | 256B |
| End to End CRC (ECRC) | Y | Y | Y | N |
| OBFF (Optimized Buffer Flush/Fill) | Y ² | N | N | N |
| Latency Tolerance Reporting (LTR) | Y ² | N | Y | N |
| TPH | Y | Y | Y | N |
| CSR access via Configuration space | Y | Y | Y | N |
| Access Control Services (ACS) | N | N | Y | N |
| Audio Video Bridging (AVB) support | Y | N | N | N |

1. Not supported in Flash-less I210 operation.

2. Disabled by default via Flash.

Table 1-5. LAN Functions Features

| Feature | I210 | I211 | I350 | 82574 |
|---|--------|--------|--------|--------|
| Programmable host memory receive buffers | Y | Y | Y | Y |
| Descriptor ring management hardware for transmit and receive | Y | Y | Y | Y |
| ACPI register set and power down functionality supporting D0 and D3 states | Y | Y | Y | Y |
| Software controlled global reset bit (resets everything except the configuration registers) | Y | Y | Y | Y |
| Software Definable Pins (SDPs) - per port | 4 | 4 | 4 | N |
| Four SDP pins can be configured as general purpose interrupts | Y | Y | Y | N |
| Wake up | Y | Y | Y | Y |
| Flexible wake-up filters | 8 | 8 | 8 | 6 |
| Flexible filters for queue assignment in normal operation | 8 | 8 | 8 | N |
| IPv6 wake-up filters | Y | Y | Y | Y |
| Default configuration by the Flash for all LEDs for pre-driver functionality | 3 LEDs | 3 LEDs | 4 LEDs | 3 LEDs |
| LAN function disable capability | Y | Y | Y | Y |
| Programmable memory transmit buffers | Y | Y | Y | Y |
| Double VLAN | Y | Y | Y | N |
| IEEE 1588 | Y | Y | Y | Y |
| Per-packet timestamp | Y | Y | Y | N |
| Tx rate limiting per queue | Y | N | N | N |

Table 1-6. LAN Performance Features

| Feature | I210 | I211 | I350 | 82574 |
|---|------|------|------|-------|
| TCP segmentation offload Up to 256 KB | Y | Y | Y | Y |
| iSCSI TCP segmentation offload (CRC) | N | N | N | N |
| IPv6 support for IP/TCP and IP/UDP receive checksum offload | Y | Y | Y | Y |



Table 1-6. LAN Performance Features (Continued)

| Feature | I210 | I211 | I350 | 82574 |
|--|------------|------------|------------|----------------------------------|
| Fragmented UDP checksum offload for packet reassembly | Y | Y | Y | Y |
| Message Signaled Interrupts (MSI) | Y | Y | Y | Y |
| Message Signaled Interrupts (MSI-X) number of vectors | 5 | 5 | 25 | 5 |
| Packet interrupt coalescing timers (packet timers) and absolute-delay interrupt timers for both transmit and receive operation | Y | Y | Y | Y |
| Interrupt throttling control to limit maximum interrupt rate and improve CPU utilization | Y | Y | Y | Y |
| Rx packet split header | Y | Y | Y | Y |
| Receive Side Scaling (RSS) number of queues per port | Up to 4 | Up to 2 | Up to 8 | Up to 2 |
| Total number of Rx queues per port | 4 | 2 | 8 | 2 |
| Total number of TX queues per port | 4 | 2 | 8 | 2 |
| RX header replication Low latency interrupt DCA support TCP timer interrupts No snoop Relax ordering | Yes to all | Yes to all | Yes to all | Only No snoop and Relax ordering |
| TSO interleaving for reduced latency | Y | Y | Y | N |
| Receive Side Coalescing (RSC) | N | N | N | N |
| SCTP receive and transmit checksum offload | Y | Y | Y | N |
| UDP TSO | Y | Y | Y | Y |
| IPSec offload | N | N | N | N |

Table 1-7. Virtualization Related Features

| Feature | I210 | I211 | I350 | 82574 |
|--|----------|----------|------------------------|----------|
| Support for Virtual Machines Device queues (VMDq) per port | N | N | 8 pools (single queue) | N |
| L2 MAC address filters (unicast and multicast) | 16 | 16 | 32 | 16 |
| L2 VLAN filters | Per port | Per port | Per pool | Per port |
| PCI-SIG SR-IOV | N | N | 8 VF | N |
| Multicast/broadcast packet replication | N | N | Y | N |
| VM to VM packet forwarding (packet loopback) | N | N | Y | N |
| RSS replication | N | N | N | N |
| Traffic shaping | N | N | N | N |
| MAC and VLAN anti-spoofing | N | N | Y | N |
| Malicious driver detection | N | N | Y | N |
| Per-pool statistics | Y | Y | Y | N/A |
| Per-pool off loads | Y | Y | Y | N/A |
| Per-pool jumbo support | Y | Y | Y | N/A |
| Mirroring rules | N | N | 4 | N |

**Table 1-7. Virtualization Related Features (Continued)**

| Feature | I210 | I211 | I350 | 82574 |
|-------------------------------------|----------------------------|----------------------------|-------------------------------|----------------------|
| External switch VEPA support | N | N | Y | N |
| External switch NIV (VNTAG) support | N | N | N | N |
| Promiscuous modes | VLAN, unicast multicast | VLAN, unicast multicast | VLAN, unicast multicast | unicast multicast |

Table 1-8. Manageability Features

| Feature | I210 | I211 | I350 | 82574 |
|---|--|---|--|-------|
| Advanced pass-through-compatible management packet transmit/receive support | Y ¹ | N | Y | Y |
| Managed ports on SMBus interface to external MC | 1 ¹ | N | 4 | 1 |
| Auto-ARP reply over SMBus | Y ¹ | N | Y | Y |
| NC-SI Interface to an external MC | Y ¹ | N | Y | Y |
| Standard DMTF NC-SI protocol support | Y ¹ | N | Y | Y |
| DMTF MCTP protocol over SMBus | Y ¹ | N | Y | N |
| NC-SI hardware arbitration | Y ¹ | N | Y | N |
| DMTF MCTP protocol over PCIe | Y ¹ | N | N | N |
| OS to BMC traffic | Y ¹ | N | Y | N |
| Manageability L2 address filters | 2 | N | 2 | 1 |
| Manageability VLAN L2 filters | 8 | N | 8 | 4 |
| Manageability EtherType filters | 4 | N | 4 | N |
| Manageability Flex L4 port filters | 8 | N | 8 | 4 |
| Manageability Flex TCO filters | 1 | N | 1 | 2 |
| Manageability L3 address filters (IPv4) | 4 | N | 4 | 1 |
| Manageability L3 address filters (IPv6) | 4 | N | 4 | 1 |
| Proxying ² | 1 ARP Offload 2 NS Offloads MLD support mDNS ¹ | 1 ARP Offload 2 NS Offloads MLD support | 1 ARP Offload per PF 2 NS Offloads per PF | N |

1. mDNS is not supported in Flash-less I210 operation.

2. In Flash-less I210 operation, proxying support requires a dedicated firmware code be loaded to the device via the host interface (see [Section 3.4.6](#)).

Table 1-9. Power Management Features

| Feature | I210 | I211 | I350 | 82574 |
|--|------|------|------|-------|
| Magic packet wake-up enable with unique MAC address | Y | Y | Y | Y |
| ACPI register set and power down functionality supporting D0 and D3 states | Y | Y | Y | Y |
| Full wake-up support (APM and ACPI 2.0) | Y | Y | Y | Y |
| Smart power down at S0 no link and Sx no link | Y | Y | Y | Y |



Table 1-9. Power Management Features

| Feature | I210 | I211 | I350 | 82574 |
|--|----------------|----------------|------|-------|
| LAN disable functionality (equivalent to Static device off functionality in the I210/I211) | Y ¹ | Y ¹ | Y | Y |
| PCIe function disable | Y | Y | Y | Y |
| Dynamic device off | Y ² | Y ² | Y | Y |
| EEE | Y | Y | Y | N |
| DMA coalescing | Y | N | Y | N |
| OBFF/PE_WAKE_N | Y ³ | N | N | N |

1. Feature not functional if enabled together with dynamic device off.
2. Feature not functional if enabled together with static device off (such as LAN disable).
3. Disabled by default in Flash due to the lack of OBFF enabled platforms at initial release.

1.6 I210 and I211 Options

Table 1-10 lists the main differences between features supported by the I210 and I211.

Table 1-10. I210 9x9 QFN and I211 9x9 QFN Package Feature

| Feature | I210 | I211 |
|--------------------------------|--------------------------------|------------------------------|
| SerDes/SGMII port | Yes (for SerDes I210 SKU only) | Not supported. |
| Manageability | Yes | Not supported |
| Integrated SVR and LVR control | Supported | Supported |
| 82574 pinout compatibility | Footprint compatibility only | Not supported |
| 82583V pinout compatibility | Not supported | Footprint compatibility only |

1.7 Overview of Changes Compared to the I350

The following section describes the modifications designed in the I210 compared to the I350.

1.7.1 Network Interface

1.7.1.1 Energy Efficient Ethernet (IEEE802.3AZ)

The I210 supports negotiation and link transition to a Low Power Idle (LPI) state as defined in the IEEE802.3az (EEE) standard. Energy Efficient Ethernet (EEE) is supported only in the internal copper PHY mode and for the following technologies:

- 1000BASE-T
- 100BASE-TX

EEE enables reduction of the I210 power consumption as a function of link utilization. In addition, the I210 enables overall system power reduction as a function of link utilization by reporting increased latency tolerance values via PCIe LTR messages when link is in the LPI state. For more information, refer to [Section 3.7.7](#).



1.7.1.2 OBFF

The I210 support Optimized Buffer Flush Fill (OBFF) for synchronizing platform I/Os and optimizing CPU sleep states. The support is via the PE_WAKE_N pin only.

1.7.2 Audio and Video Bridging Support

See [Section 1.3.1](#) for details on IEEE 802.1Qav support.

1.7.2.1 Tx Timestamp

The I210 supports three types of transmit timestamps:

1. Reporting back of the timestamp in the transmit descriptor.
2. Inserting the timestamp in the packet sent.
3. Recording the timestamp of selected packet in a register (legacy behavior).

Transmit timestamp is described in [Section 7.0](#), Inline Functions.

1.7.3 Virtualization

SR-IOV and VMDq is not supported in hardware by the I210. The I210 can still be used in virtualized systems where the VM switching is done in software.

1.7.3.1 Number of Exact Match Filters

The number of RAH/RAL registers is 16.

1.7.4 Host Interface

1.7.4.1 MSI-X Support

The number of MSI-X vectors supported by the I210 changed to 5. For further information, refer to [Section 7.3](#).

1.7.4.2 Optimized Buffer Flush/FILL (OBFF)

The I210 supports the PCIe OBFF specification, using the PE_WAKE_N signal to enable synchronizing device activity and optimize power management of memory, CPU and RC internal circuitry. By synchronizing PCIe activity of PCIe endpoints, the system can stay in lower power states for a longer duration.

When in buffer fill (DMA coalescing) operating mode, the PCIe link is optionally placed in a L1 power saving state and DMA activity is placed on hold. The I210 moves into buffer flush mode when internal receive buffers pass a pre-determined threshold value, a watchdog timer expires, or the PCIe interface invokes a move out of buffer fill state. Further information can be found in [Section 5.9](#).



1.7.5 Manageability

1.7.5.1 DMTF MCTP Protocol Over PCIe

The I210 enables reporting and controlling all information exposed in a LOM device via NC-SI using the MCTP protocol over PCIe in addition to SMBus. The MCTP interface over PCIe is used by the MC to control the NIC and for pass through traffic. For more information, refer to [Section 10.7](#).

1.7.5.2 Flash Structures

Management related Flash structures were updated. For further information see [Chapter 6.0](#).

1.7.5.3 Improved Support of Shared MAC and Shared IP

The I210 supports better filtering in systems when the MAC or the IP is shared with the host. This support is achieved using additional filtering capabilities as described in [Section 10.3.1](#) and can be controlled using a new set of NC-SI OEM commands as the functionality described in [Section 10.6.3.14](#) and [Section 10.3.7](#).

1.7.5.4 Simplified SMBus TCO Status and Filter Setting

The TCO status in SMBus received packet was reduced to eight bytes and most of the information was removed in order to keep only the information relevant to the MCs. See [Section 10.5.9.2.1.1](#) for details.

In addition, a generic command is used to set the most common filtering options independently of the actual filters implementation. See [Section 10.5.9.1.7](#) for details.

1.7.5.5 Diagnostic Commands

Commands were added to the NC-SI and legacy SMBus to query the identity of the I210 and the firmware versions currently running on the I210. See [Section 10.5.9.2.7](#) and [Section 10.6.3.16.1](#) for details.

1.7.6 BOM Cost Reduction

1.7.6.1 On-chip 0.9V SVR Control

The I210 includes a fully integrated on-chip Switching Voltage Regulator (SVR) that can be used to generate a 0.9V power supply without the need for a higher cost on-board 0.9V voltage regulator (refer to [Section 3.6](#)).

1.8 Device Data Flows

1.8.1 Transmit Data Flow

[Table 1-11](#) lists a high level description of all data/control transformation steps needed for sending Ethernet packets to the line.

**Table 1-11. Transmit Data Flow**

| Step | Description |
|------|---|
| 1 | The host creates a descriptor ring and configures one of the I210's transmit queues with the address location, length, head and tail pointers of the ring (one of 4 available Tx queues). |
| 2 | The host is requested by the TCP/IP stack to transmit a packet, it gets the packet data within one or more data buffers. |
| 3 | The host initializes descriptor(s) that point to the data buffer(s) and have additional control parameters that describe the needed hardware functionality. The host places that descriptor in the correct location at the appropriate Tx ring. |
| 4 | The host updates the appropriate queue tail pointer (TDT) |
| 5 | The I210's DMA senses a change of a specific TDT and as a result sends a PCIe request to fetch the descriptor(s) from host memory. |
| 6 | The descriptor(s) content is received in a PCIe read completion and is written to the appropriate location in the descriptor queue internal cache. |
| 7 | The DMA fetches the next descriptor from the internal cache and processes its content. As a result, the DMA sends PCIe requests to fetch the packet data from system memory. |
| 8 | The packet data is received from PCIe completions and passes through the transmit DMA that performs all programmed data manipulations (various CPU off loading tasks as checksum off load, TSO off load, etc.) on the packet data on the fly. |
| 9 | While the packet is passing through the DMA, it is stored into the transmit FIFO. After the entire packet is stored in the transmit FIFO, it is forwarded to the transmit switch module. |
| 10 | The transmit switch arbitrates between host and management packets and eventually forwards the packet to the MAC. |
| 11 | The MAC appends the L2 CRC to the packet and sends the packet to the line using a pre-configured interface. |
| 12 | When all the PCIe completions for a given packet are done, the DMA updates the appropriate descriptor(s). |
| 13 | After enough descriptors are gathered for write back or the interrupt moderation timer expires, the descriptors are written back to host memory using PCIe posted writes. Alternatively, the head pointer can only be written back. |
| 14 | After the interrupt moderation timer expires, an interrupt is generated to notify the host device driver that the specific packet has been read to the I210 and the driver can release the buffers. |

1.8.2 Receive Data Flow

Table 1-12 lists a high level description of all data/control transformation steps needed for receiving Ethernet packets.

Table 1-12. Receive Data Flow

| Step | Description |
|------|--|
| 1 | The host creates a descriptor ring and configures one of the I210's receive queues with the address location, length, head, and tail pointers of the ring (one of 4 available Rx queues). |
| 2 | The host initializes descriptors that point to empty data buffers. The host places these descriptors in the correct location at the appropriate Rx ring. |
| 3 | The host updates the appropriate queue tail pointer (RDT). |
| 4 | The I210's DMA senses a change of a specific RDT and as a result sends a PCIe request to fetch the descriptors from host memory. |
| 5 | The descriptors content is received in a PCIe read completion and is written to the appropriate location in the descriptor queue internal cache. |
| 6 | A packet enters the Rx MAC. The Rx MAC checks the CRC of the packet. |
| 7 | The MAC forwards the packet to an Rx filter. |
| 8 | If the packet matches the pre-programmed criteria of the Rx filtering, it is forwarded to the Rx FIFO. VLAN and CRC are optionally stripped from the packet and L3/L4 checksum are checked and the destination queue is fixed. |
| 9 | The receive DMA fetches the next descriptor from the internal cache of the appropriate queue to be used for the next received packet. |



Table 1-12. Receive Data Flow (Continued)

| Step | Description |
|------|---|
| 10 | After the entire packet is placed into the Rx FIFO, the receive DMA posts the packet data to the location indicated by the descriptor through the PCIe interface. If the packet size is greater than the buffer size, more descriptors are fetched and their buffers are used for the received packet. |
| 11 | When the packet is placed into host memory, the receive DMA updates all the descriptor(s) that were used by packet data. |
| 12 | After enough descriptors are gathered for write back or the interrupt moderation timer expires or the packet requires immediate forwarding, the receive DMA writes back the descriptor content along with status bits that indicate the packet information including what off loads were done on that packet. |
| 13 | After the interrupt moderation timer completes or an immediate packet is received, the I210 initiates an interrupt to the host to indicate that a new received packet is already in host memory. |
| 14 | Host reads the packet data and sends it to the TCP/IP stack for further processing. The host releases the associated buffers and descriptors once they are no longer in use. |



2.0 Pin Interface

2.1 Pin Assignments

The I210 supports a 64-pin, 9 x 9 QFN package with an Exposed Pad* (e-Pad*). Note that the e-Pad is ground.

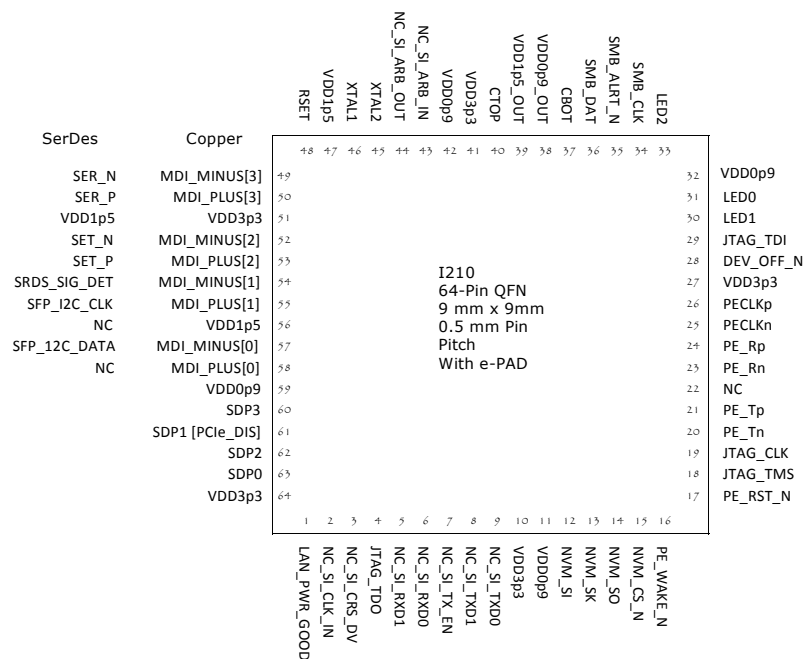


Figure 2-1. I210 64-Pin, 9 x 9 QFN Package With e-Pad



2.2 Pull-Up/Pull-Down Resistors

Table 2-1 lists internal and external pull-up/pull-down resistors and their functionality in different device states.

- As stated in the name and function table columns, the internal Pull-Up/Pull-Down (PU/PD) resistor values are 30 KΩ ± 50%.
- Only relevant (digital) pins are listed; analog or bias and power pins have specific considerations listed in Chapter 11.0.

Note: Refer to Section 12.0 for a list of board design schematic checklists, layout checklists, and reference design schematics for more details.

The device states are defined as follows:

- Power-up = while 3.3V is stable, yet 1.0V isn't
- Active = normal mode (not power up or disable)
- Disable = device off or dynamic device off – refer to Section 4.3.3

Table 2-1. Pull-Up Resistors

| Signal Name | Power Up ¹ | | Active | | Disable ² | | External |
|---------------|-----------------------|----------|--------|----------------------------|----------------------|-----------------------------------|--------------------|
| | PU | Comments | PU | Comments | PU | Comments | |
| LAN_PWR_GOOD | N | | N | | N | | Y |
| PE_WAKE_N | N | | N | | N | | Y |
| PE_RST_N | N | | N | | N | | PU ³ |
| NVM_SI | N | | N | | Y | | PD/PU ⁴ |
| NVM_SO | Y | | Y | | Y | | N |
| NVM_SK | Y | | N | | Y | | N |
| NVM_CS_N | Y | | N | | Y | | N |
| SMBD | N | | N | | N | | Y |
| SMBCLK | N | | N | | N | | Y |
| SMBALRT_N | N | | N | | N | | Y |
| NCSI_CLK_IN | N | HiZ | N | | N | | PD |
| NCSI_CRS_DV | N | HiZ | N | | N | | PD |
| NCSI_RXD[1:0] | N | HiZ | N | | N | | PU |
| NCSI_TX_EN | N | HiZ | N | | N | | PD |
| NCSI_TXD[1:0] | N | HiZ | N | | N | | PU |
| NCSI_ARB_OUT | N | | N | | N | Stable high output | N |
| NCSI_ARB_IN | N | HiZ | N | ⁵ | N | ⁵ | N |
| SDP0 | Y | | Y | Until Flash auto-load done | Y | Might keep state by Flash control | N |
| SDP1 | Y | | Y | Until Flash auto-load done | Y | Might keep state by Flash control | N |
| SDP2 | Y | | Y | Until Flash auto-load done | Y | Might keep state by Flash control | N |



Table 2-1. Pull-Up Resistors (Continued)

| Signal Name | Power Up ¹ | | Active | | Disable ² | | External |
|--------------|-----------------------|----------|--------|---|----------------------|-----------------------------------|-----------------------------------|
| | PU | Comments | PU | Comments | PU | Comments | |
| SDP3 | Y | | Y | Until Flash auto-load done | Y | Might keep state by Flash control | N |
| DEV_OFF_N | Y | | N | | N | | PU optional if NC-SI is not used. |
| SRDS_SIG_DET | Y | | N | | N | | Must be connected on board |
| SFP_I2C_CLK | Y | | Y | Until Flash auto-load done or if I2C disable set in Flash | Y | | Y if I2C |
| SFP_I2C_DATA | Y | | Y | Until Flash auto-load done or if I2C disable set in Flash | Y | | Y |
| LED0 | Y | | N | | N | HiZ | |
| LED1 | Y | | N | | N | HiZ | |
| LED2 | Y | | N | | N | HiZ | |
| JTAG_CLK | N | | N | | N | | Y ⁶ |
| JTAG_TDI | N | | N | | N | | Y |
| JTAG_TDO | N | | N | | N | | |
| JTAG_TMS | N | | N | | N | | Y |

1. Power up - LAN_PWR_GOOD = 0b
2. Refer to Section 5.2.6 for description of disable state.
3. 10 K Ω to 100 K Ω pull up can be used.
4. When pulled up, Flash security features are enabled.
5. If NC-SI hardware arbitration is disabled via the *NC-SI ARB Enable* Flash bit (refer to Section 6.2.22), NCSI_ARB_IN pin is pulled-up internally.
6. The pin should be pulled up even when no clock device is connected to it.

2.3 Signal Type Definition

| | |
|----------|--|
| In | Input is a standard input-only signal. |
| Out (O) | Totem pole output is a standard active driver. |
| T/s | Tri-State is a bi-directional, tri-state input/output pin. |
| S/t/s | Sustained tri-state is an active low tri-state signal owned and driven by one and only one agent at a time. The agent that drives an s/t/s pin low must drive it high for at least one clock before letting it float. A new agent cannot start driving an s/t/s signal any sooner than one clock after the previous owner tri-states it. |
| O/d | Open drain enables multiple devices to share as a wire-OR. |
| A-in | Analog input signals. |
| A-out | Analog output signals. |
| B | Input bias. |
| NCSI_in | NCSI input signal. |
| NCSI-out | NCSI output signal. |



2.3.1 PCIe

Table 2-2. PCIe

| Symbol | Reserved | Lead # | Type | Op Mode | Name and Function |
|------------------|----------|----------|-------|---------|---|
| PECLKp PECLKn | | 26 25 | A-in | Input | PCIe Differential Reference Clock In This pin receives a 100 MHz differential clock input. This clock is used as the reference clock for the PCIe Tx/Rx circuitry and by the PCIe core PLL to generate a 125 MHz clock and 250 MHz clock for the PCIe core logic. |
| PE_Tp PE_Tn | | 21 20 | A-out | Output | PCIe Serial Data Output Serial differential output link in the PCIe interface running at 2.5 Gb/s. This output carries both data and an embedded 2.5 GHz clock that is recovered along with data at the receiving end. |
| PE_Rp PE_Rn | | 24 23 | A-in | Input | PCIe Serial Data Input Serial differential input link in the PCIe interface running at 2.5 Gb/s. The embedded clock present in this input is recovered along with the data. |
| PE_WAKE_N | | 16 | T/s | Bi-dir | Wake The I210 drives this signal to zero when it detects a wake-up event and either: <ul style="list-style-type: none"> The PME_en bit in PMCSR is 1b or The APME bit of the Wake Up Control (WUC) register is 1b. In OBFF mode, OBFF events are signaled using the PE_WAKE_N pin. |
| PE_RST_N | | 17 | In | Input | Power and Clock Good Indication The PE_RST_N signal indicates that both PCIe power and clock are available. |

2.3.2 Flash

Table 2-3. Flash

| Symbol | Reserved | Lead # | Type | Op Mode | Name and Function |
|----------|----------|--------|------|---------|--|
| NVM_SI | | 12 | T/s | Output | Serial Data Output Connect this lead to the input of the Flash. |
| NVM_SO | | 14 | T/s | Input | Serial Data Input Connect this lead to the output of the Flash. |
| NVM_SK | | 13 | T/s | Output | Non-Volatile Memory Serial Clock |
| NVM_CS_N | | 15 | T/s | Output | Non-Volatile Memory Chip Select Output |



2.3.3 System Management Bus (SMBus) Interface

Table 2-4. SMBus Interface

| Symbol | | Lead # | Type | Op Mode | Name and Function |
|------------|--|--------|----------|---------|---|
| SMB_DATA | | 36 | T/s, o/d | Bi-dir | SMBus Data. Stable during the high period of the clock (unless it is a start or stop condition). |
| SMB_CLK | | 34 | T/s, o/d | Bi-dir | SMBus Clock. One clock pulse is generated for each data bit transferred. |
| SMB_ALRT_N | | 35 | T/s, o/d | Output | SMBus Alert. Acts as an interrupt pin of a slave device on the SMBus in pass-through mode. |

Note: If the SMBus is disconnected, an external pull-up should be used for these pins, unless it is guaranteed that manageability is disabled in the I210.

2.3.4 NC-SI and Testability

Table 2-5. NC-SI and Testability

| Symbol | | Lead # | Type | Op Mode | Name and Function |
|---------------|--|--------|-----------|---------|--|
| NC_SI_CLK_IN | | 2 | NCSI_in | Input | NC-SI Reference Clock Input. Synchronous clock reference for receive, transmit, and control interface. This signal is a 50 MHz clock +/- 100 ppm. |
| NC_SI_CRSDV | | 3 | NCSI_out | Output | NC-SI Carrier Sense/Receive Data Valid (CRS/DV). |
| NC_SI_RXD0 | | 6 | NCSI_out | Output | NC-SI Receive Data 0. Data signals to the Manageability Controller (MC). |
| NC_SI_RXD1 | | 5 | NCSI_out | Output | NC-SI Receive Data 1. Data signals to the MC. |
| NC_SI_TX_EN | | 7 | NCSI_in | Input | NC-SI Transmit Enable. |
| NC_SI_TXD0 | | 9 | NCSI_in | Input | NC-SI Transmit Data 0. Data signals from the MC. |
| NC_SI_ARB_IN | | 43 | NC-SI-in | Input | NC-SI hardware arbitration token output pin. |
| NC_SI_ARB_OUT | | 44 | NC-SI-out | Output | NC-SI hardware arbitration token input pin. |
| NC_SI_TXD1 | | 8 | NCSI_in | Input | NC-SI Transmit Data 1. Data signal from the MC. |
| JTAG_TDI | | 29 | In | Input | JTAG TDI Input. |
| JTAG_CLK | | 19 | In | Input | JTAG Clock Input. |
| JTAG_TMS | | 18 | In | Input | JTAG Test Mode Select. This input controls the transitions of the test interface state machine. |
| JTAG_TDO | | 4 | O/D | | JTAG TDO |



2.3.5 LEDs

Table 2-6 lists the functionality of each LED output pin. The default activity of each LED can be modified in the Flash. The LED functionality is reflected and can be further modified in the configuration registers (LEDCTL).

Table 2-6. LEDs

| Symbol | Reserved | Lead # | Type | Op Mode | Name and Function |
|--------|----------|--------|------|---------|----------------------------|
| LED0 | | 31 | Out | Output | Programmable LED number 0. |
| LED1 | | 30 | Out | Output | Programmable LED number 1. |
| LED2 | | 33 | Out | Output | Programmable LED number 2. |

2.3.6 PHY Pins

Note: The I210 has built in termination resistors. As a result, external termination resistors should not be used.

Table 2-7. PHY Pins

| Symbol | Lead # | Type | Op Mode | Name and Function |
|---------------------------|--------|------|---------|---|
| MDI_PLUS[0]/NC | 58 | A | Bi-dir | <p>In BASE-T: Media Dependent Interface[0]: 1000BASE-T: In MDI configuration, MDI[0]+ corresponds to BI_DA+ and in MDI-X configuration MDI[0]+ corresponds to BI_DB+.</p> <p>100BASE-TX: In MDI configuration, MDI[0]+ is used for the transmit pair and in MDIX configuration MDI[0]+ is used for the receive pair.</p> <p>10BASE-T: In MDI configuration, MDI[0]+ is used for the transmit pair and in MDI-X configuration MDI[0]+ is used for the receive pair.</p> |
| MDI_MINUS[0]/SFP_I2C_DATA | 57 | A | Bi-dir | <p>In BASE-T: Media Dependent Interface[0]: 1000BASE-T: In MDI configuration, MDI[0]- corresponds to BI_DA- and in MDI-X configuration MDI[0]- corresponds to BI_DB-.</p> <p>100BASE-TX: In MDI configuration, MDI[0]- is used for the transmit pair and in MDIX configuration MDI[0]- is used for the receive pair.</p> <p>10BASE-T: In MDI configuration, MDI[0]- is used for the transmit pair and in MDI-X configuration MDI[0]- is used for the receive pair.</p> <p>In SerDes: SFP 2 wire interface data – connects to Mod-Def2 pin of SFP (O/D). Can also be used as MDIO pin (T/S).</p> |



Table 2-7. PHY Pins

| Symbol | Lead # | Type | Op Mode | Name and Function |
|--|----------------------|---------------|------------------|---|
| MDI_PLUS[1]/ SFP_I2C_CLK | 55 | A | Bi-dir | In BASE-T: Media Dependent Interface[1]: 1000BASE-T: In MDI configuration, MDI[1]+ corresponds to BI_DB+ and in MDI-X configuration MDI[1]+ corresponds to BI_DA+. 100BASE-TX: In MDI configuration, MDI[1]+ is used for the receive pair and in MDI-X configuration MDI[1]+ is used for the transmit pair. 10BASE-T: In MDI configuration, MDI[1]+ is used for the receive pair and in MDI-X configuration MDI[1]+ is used for the transmit pair. In SerDes: SFP 2 wire interface clock – connects to Mod-Def1 input of SFP (O/D). Can also be used as MDC pin (Out). |
| MDI_MINUS[1]/ SRDS_SIG_DET | 54 | A | Bi-dir | In BASE-T: Media Dependent Interface[1]: 1000BASE-T: In MDI configuration, MDI[1]- corresponds to BI_DB- and in MDI-X configuration MDI[1]- corresponds to BI_DA-. 100BASE-TX: In MDI configuration, MDI[1]- is used for the receive pair and in MDI-X configuration MDI[1]- is used for the transmit pair. 10BASE-T: In MDI configuration, MDI[1]- is used for the receive pair and in MDI-X configuration MDI[1]- is used for the transmit pair. In SerDes: Signal Detect: Indicates that signal (light) is detected from the fiber. High for signal detect, low otherwise. Polarity of Signal Detect pin is controlled by the <i>CTRL.ILOS</i> bit. For non-fiber SerDes applications, link indication is internal, <i>CONNSW.ENRGSRC</i> bit should be 0b and pin should be connected to a pull-up resistor. |
| MDI_PLUS[2] MDI_MINUS[2]/SET_N MDI_PLUS[3]/SER_P MDI_MINUS[3]/SER_N | 53 52 50 49 | A | Bi-dir | In BASE-T: Media Dependent Interface[3:2]: 1000BASE-T: In MDI and in MDI-X configuration, MDI[2]+/- corresponds to BI_DC+/- and MDI[3]+/- corresponds to BI_DD+/-. 100BASE-TX: Unused. 10BASE-T: Unused. In SerDes SerDes/SGMII Serial Data input/output: Differential SERDES Receive/Transmit interface. A serial differential input/output pair running at 1.25Gb/s. An embedded clock present in this input is recovered along with the data. This output carries both data and an embedded 1.25 GHz clock that is recovered along with data at the receiving end. |
| XTAL1 XTAL2 | 46 45 | A-In A-Out | Input/ Output | XTAL In/Out These pins can be driven by an external 25 MHz crystal or driven by an external MOS level 25 MHz oscillator. Used to drive the PHY. |
| RSET | 48 | A | Bias | PHY Termination This pin should be connected through a 4.99 K Ω \pm 1% resistor to ground. |



2.3.7 Miscellaneous Pins

Table 2-8. Miscellaneous Pins

| Symbol | Reserved | Lead # | Type | Op Mode | Name and Function |
|------------------------|----------|--------|---------|--------------|--|
| DEV_OFF_N | | 28 | In | Input | This is a 3.3V input signal. Asserting DEV_OFF_N puts the I210 in device disable mode. Note that this pin is asynchronous. Functionality of this input can be changed by Flash bits settings - see Table 2-11 for more details. |
| SDP0 | | 63 | T/s | Input/Output | Software defined pin 0. |
| SDP1 [PCIe_DIS]SDP1 | | 61 | T/s | Input/Output | Software defined pin 1. See Table 2-11 for PCIe function disable settings. |
| SDP2 | | 62 | T/s | Input/Output | Software defined pin 2. |
| SDP3 | | 60 | T/s | Input/Output | Software defined pin 3. |
| LAN_PWR_GOOD | | 1 | In | Input | LAN Power Good: A 3.3V input signal. A transition from low to high initializes the device into operation. If the internal Power-on-Reset (POR) circuit is used to trigger device power-up, this signal should be connected to VDDO. |
| NC | | 22 | Voltage | Input | Optional pin used to connect an external power supply to the PCIe block in order to replace the internal LDO. |

2.3.8 Power Supplies and Support Pins

2.3.8.1 Power Support

Table 2-9. Power Support

| Symbol | Reserved | Lead # | Type / Voltage | Name and Function |
|--------|----------|--------|----------------------------|------------------------------|
| CBOT | | 37 | A-in A-Out | Capacitor bottom connection. |
| CTOP | | 40 | A-In capacitor A-Out | Capacitor top connection. |

Note: These pins must be connected together by a 39 nF capacitor (refer to capacitor part # GRM155R61A393KA01).



2.3.8.2 Power Supply

Table 2-10. Power Supply

| Symbol | Lead # | Type / Voltage | Name and Function |
|------------|--------------------|----------------|--|
| VDD0p9 | 11, 32, 42, 59 | 0.9V | 0.9V digital power supply. |
| VDD3p3 | 10, 27, 41, 51, 64 | 3.3V | 3.3V power supply (for I/O). Pin 51: In BASE-T, 3.3V analog power supply to GPHY; in SerDes, 1.5V analog power supply to SGMII SerDes. |
| VDD1p5 | 47, 56 | 1.5V | Pin 47: 1.5V power supply to the crystal oscillator and bandgap. Pin 56: In BASE-T, 1.5V analog power supply to GPHY; in SerDes, not connected. |
| VDD0p9_OUT | 38 | 0.9V | 0.9V power supply output of the switching cap regulator. |
| VDD1p5_OUT | 39 | 1.5V | 1.5V power supply output of the switching cap regulator. |
| GND | e-Pad | Ground | The e-Pad metal connection on the bottom of the package. Should be connected to ground. |

2.4 Strapping Options

Table 2-11. Strapping Options

| Function | Latch Event | Pad | | | | | NVM | | | | PU | Comments |
|--------------------|--------------|-----------|------|--------|--------|-----------------|---------|---------|---------|---------|----------------|--|
| | | DEV_OFF_N | SDP3 | NVM_SK | NVM_SI | SDP1 [PCIe_DIS] | 0x1E.15 | 0x29.10 | 0x29.13 | 0x29.15 | Internal PU | |
| DEV_OFF_N | N/A | 0 | X | X | X | X | 1 | X | X | X | | Device off mode when the pin is pulled low. |
| AUX_PWR (option 1) | N/A | 1 | X | X | X | X | 0 | 1 | X | X | | AUX power mode when the pin is pulled high. |
| AUX_PWR (option 2) | N/A | X | 1 | X | X | X | 0 | 0 | 1 | X | | AUX power mode when the pin is pulled high. |
| SECURITY_EN | LAN_PWR_GOOD | X | X | X | 1 | X | X | X | X | X | PU (until LPG) | Flash security is disabled when the pin is pulled low. |
| PCIe_DIS_N | N/A | X | X | X | X | 0 | X | X | X | 1 | | Active low, valid on Flash load complete. Strap logic that requires a dedicated SDP. |



Note: nvm_aux_pwr_en and nvm_alt_aux_pwr_en bits are read as 0b from NVM, AUX_PWR mode is enabled.

2.5 Package

The I210 supports a 64-pin, 9 x 9 QFN package with e-Pad. Figure 2-2 shows the package schematics.

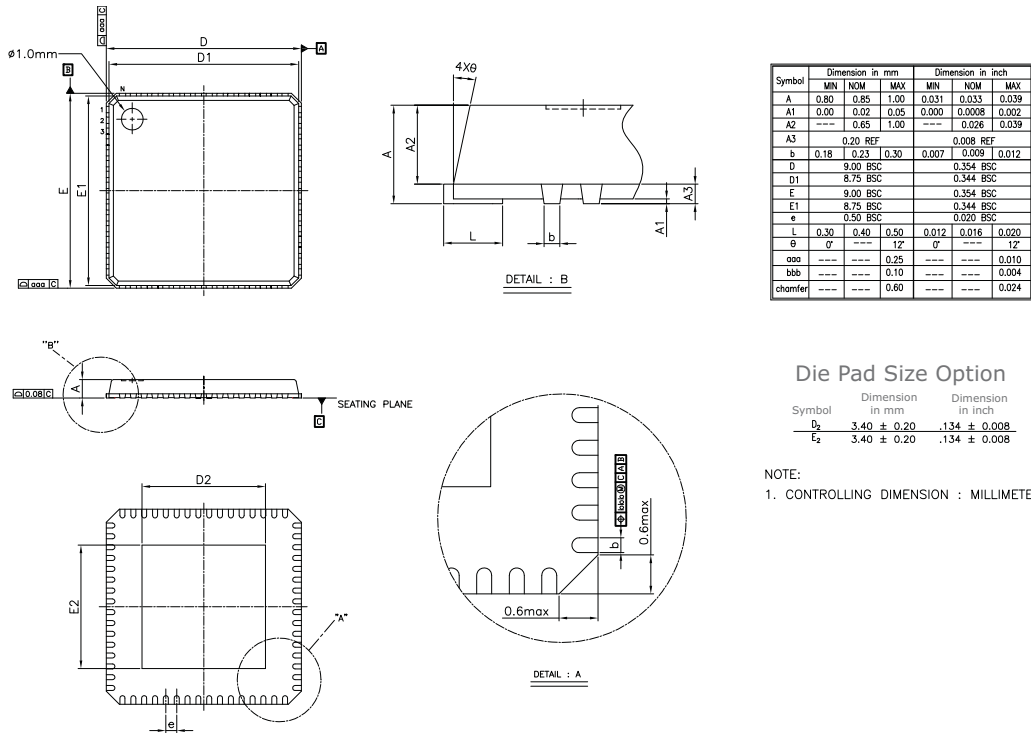


Figure 2-2. I210 QFN 9 x 9 mm Package



3.0 Interconnects

3.1 PCIe

3.1.1 PCIe Overview

PCIe is a third generation I/O architecture that enables cost competitive next generation I/O solutions providing industry leading price/performance and features. It is an industry-driven specification.

PCIe defines a basic set of requirements that encases the majority of the targeted application classes. Higher-end applications' requirements, such as enterprise class servers and high-end communication platforms, are encased by a set of advanced extensions that compliment the baseline requirements.

To guarantee headroom for future applications of PCIe, a software-managed mechanism for introducing new, enhanced, capabilities in the platform is provided. [Figure 3-1](#) shows PCIe architecture.

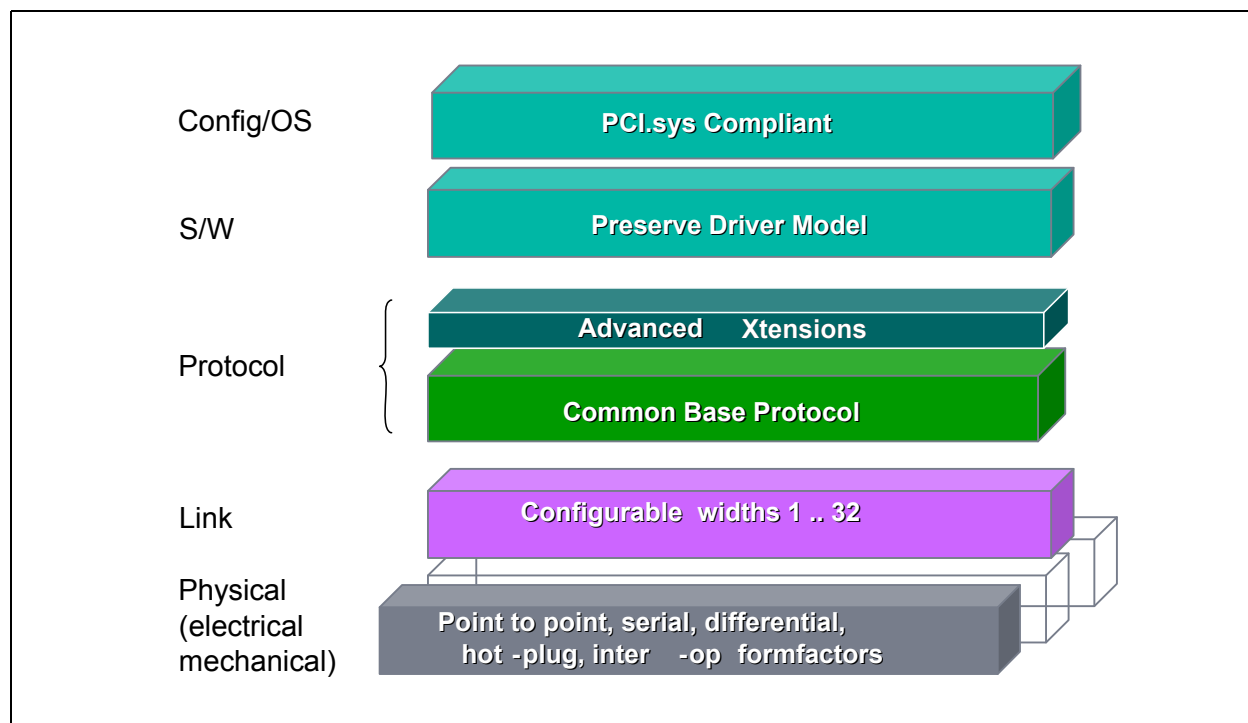


Figure 3-1. PCIe Stack Structure



PCIe's physical layer consists of a differential transmit pair and a differential receive pair. Full-duplex data on these two point-to-point connections is self-c such that no dedicated clock signals are required. The bandwidth of this interface increases linearly with frequency.

The packet is the fundamental unit of information exchange and the protocol includes a message space to replace the various side-band signals found on many buses today. This movement of hard-wired signals from the physical layer to messages within the transaction layer enables easy and linear physical layer width expansion for increased bandwidth.

The common base protocol uses split transactions and several mechanisms are included to eliminate wait states and to optimize the reordering of transactions to further improve system performance.

3.1.1.1 Architecture, Transaction and Link Layer Properties

- Split transaction, packet-based protocol
- Common flat address space for load/store access (such as PCI addressing model)
 - Memory address space of 32-bits to allow compact packet header (must be used to access addresses below 4 GB)
 - Memory address space of 64-bit using extended packet header
- Transaction layer mechanisms:
 - PCI-X style relaxed ordering
 - Optimizations for no-snoop transactions
- Credit-based flow control
- Packet sizes/formats:
 - Maximum upstream (write) payload size of 512 bytes
 - Maximum downstream (read) payload size of 512 bytes
- Reset/initialization:
 - Frequency/width/profile negotiation performed by hardware
- Data integrity support
 - Using CRC-32 for transaction layer packets
- Link layer retry for recovery following error detection
 - Using CRC-16 for link layer messages
- No retry following error detection
 - 8b/10b encoding with running disparity
- Software configuration mechanism:
 - Uses PCI configuration and bus enumeration model
 - PCIe-specific configuration registers mapped via PCI extended capability mechanism
- Baseline messaging:
 - In-band messaging of formerly side-band legacy signals (such as interrupts, etc.)
 - System-level power management supported via messages
- Power management:
 - Full support for PCI-PM
 - Wake capability from D3cold state
 - Compliant with ACPI, PCI-PM software model



- Active state power management
- Support for PCIe v2.1 (2.5GT/s)
 - Support for completion time out
 - Support for additional registers in the PCIe capability structure.

3.1.1.2 Physical Interface Properties

- Point to point interconnect
 - Full-duplex; no arbitration
- Signaling technology:
 - Low Voltage Differential (LVD)
 - Embedded clock signaling using 8b/10b encoding scheme
- Serial frequency of operation: 2.5 Gb/s.
- Interface width of x1.
- DFT and DFM support for high volume manufacturing

3.1.1.3 Advanced Extensions

PCIe defines a set of optional features to enhance platform capabilities for specific usage modes. The I210 supports the following optional features:

- Extended error reporting - messaging support to communicate multiple types/severity of errors.
- Device serial number.
- Completion timeout control.
- TLP Processing Hints (TPH) - provides hints on a per transaction basis to facilitate optimized processing of transactions that target memory space.
- Latency Tolerance Reporting (LTR) - messaging support to communicate service latency requirements for memory reads and writes to the root complex.

3.1.2 General Functionality

3.1.2.1 Native/Legacy

All the I210 PCI functions are native PCIe functions.

3.1.2.2 Transactions

The I210 does not support requests as target or master.

3.1.3 Host Interface

3.1.3.1 Tag IDs

PCIe device numbers identify logical devices within the physical device (the I210 is a physical device). The I210 implements a single logical device with one PCI function. The device number is captured from the type 0 configuration write transaction.



The PCIe function interfaces with the PCIe unit through one or more clients. A client ID identifies the client and is included in the *Tag* field of the PCIe packet header. Completions always carry the tag value included in the request to enable routing of the completion to the appropriate client.

Tag IDs are allocated differently for read and write. Messages are sent with a tag of 0x0.

3.1.3.1.1 TAG ID Allocation for Read Transactions

Table 3-1 lists the Tag ID allocation for read accesses. The tag ID is interpreted by hardware in order to forward the read data to the required device.

Table 3-1. IDs in Read Transactions

| Tag ID | Description | Comment |
|-----------|----------------|---------|
| 0x0 | Data request 0 | |
| 0x1 | Data request 1 | |
| 0x2 | Data request 2 | |
| 0x3 | Data request 3 | |
| 0x4 | Data request 4 | |
| 0x5 | Data request 5 | |
| 0x6-017 | Not used | |
| 0x18 | Descriptor Tx | |
| 0x19-0x1B | Not used | |
| 0x1C | Descriptor Rx | |
| 0x1D-0x1F | Not used | |

3.1.3.1.2 TAG ID Allocation for Write Transactions

Request tag allocation depends on these system parameters:

- DCA supported/not supported in the system (*DCA_CTRL.DCA_DIS* - refer to Section 8.13.4 for details)
- TPH enabled in the system.
- DCA enabled/disabled for each type of traffic (*TXCTL.TX Descriptor DCA EN*, *RXCTL.RX Descriptor DCA EN*, *RXCTL.RX Header DCA EN*, *RXCTL.Rx Payload DCA EN*).
- TPH enabled or disabled for the specific type of traffic carried by the TLP (*TXCTL.TX Descriptor TPH EN*, *RXCTL.RX Descriptor TPH EN*, *RXCTL.RX Header TPH EN*, *RXCTL.Rx Payload TPH EN*).
- System type: Legacy DCA vs. DCA 1.0 (*DCA_CTRL.DCA_MODE* - refer to Section 8.13.4 for details).
- CPU ID (*RXCTL.CPUID* or *TXCTL.CPUID*).

See the case studies below for information on different implementations

3.1.3.1.2.1 Case 1 - DCA Disabled in the System

Table 3-2 lists the write requests tags. Unlike read, the values are for debug only, allowing tracing of requests through the system.

**Table 3-2. IDs in Write Transactions (DCA Disabled Mode)**

| Tag ID | Description |
|------------|--|
| 0x0 - 0x1 | Reserved |
| 0x2 | Tx descriptors write-back / Tx head write-back |
| 0x3 | Reserved |
| 0x4 | Rx descriptors write-back |
| 0x5 | Reserved |
| 0x6 | Write data |
| 0x7 - 0x1D | Reserved |
| 0x1E | MSI and MSI-X |
| 0x1F | Reserved |

3.1.3.1.2.2 Case 2 - DCA Enabled in the System, but Disabled for the Request

- Legacy DCA platforms - If DCA is disabled for the request, the tags allocation is identical to the case where DCA is disabled in the system. Refer to [Table 3-2](#).
- DCA 1.0 platforms - All write requests have a tag value of 0x00.

Note: When in DCA 1.0 mode, messages and MSI/MSI-X write requests are sent with the no-hint tag.

3.1.3.1.2.3 Case 3 - DCA Enabled in the System, DCA Enabled for the Request

- Legacy DCA platforms: the request tag is constructed as follows:
 - Bit[0] - DCA Enable
 - Bits[3:1] - The *CPU ID* field taken from the CPUID[2:0] bits of the RXCTL or TXCTL registers
 - Bits[7:4] - Reserved
- DCA 1.0 platforms: the request tag (all 8 bits) is taken from the *CPUID* field of the RXCTL or TXCTL registers

3.1.3.1.2.4 Case 4 - TPH Enabled in the System, TPH Enabled for the Request

- The request tag (all 8 bits) is taken from the *CPUID* field of the adequate register or context as listed in [Table 7-61](#).

3.1.3.2 Completion Timeout Mechanism

In any split transaction protocol, there is a risk associated with the failure of a requester to receive an expected completion. To enable requesters to attempt recovery from this situation in a standard manner, the completion timeout mechanism is defined.

The completion timeout mechanism is activated for each request that requires one or more completions when the request is transmitted. The I210 provides a programmable range for the completion timeout, as well as the ability to disable the completion timeout altogether. The completion timeout is programmed through an extension of the PCIe capability structure (refer to [Section 9.4.6.12](#)).

The I210's reaction in case of a completion timeout is listed in [Table 3-12](#).

The I210 controls the following aspects of completion timeout:



- Disabling or enabling completion timeout.
- Disabling or enabling re-send of a request on completion timeout.
- A programmable range of re-sends on completion timeout, if re-send enabled.
- A programmable range of timeout values.
- Programming the behavior of completion timeout is listed in [Table 3-3](#).

Table 3-3. Completion Timeout Programming

| Capability | Programming capability |
|-------------------------------|--|
| Completion Timeout Enabling | Controlled through <i>PCI Device Control 2</i> configuration register. |
| Resend Request Enable | Loaded from the Flash into the <i>GCR</i> register. |
| Number of Re-sends on Timeout | Controlled through <i>GCR</i> register. |
| Completion Timeout Period | Controlled through <i>PCI Device Control 2</i> configuration register. |

Completion Timeout Enable - Programmed through the *PCI Device Control 2* configuration register. The default is: Completion Timeout Enabled.

Resend Request Enable - The *Completion Timeout Resend* Flash bit (loaded to the *Completion_Timeout_Resend* bit in the PCIe Control (*GCR*) register enables resending the request (applies only when completion timeout is enabled). The default is to resend a request that timed out.

Number of re-sends on timeout - Programmed through the *Number of resends* field in the *GCR* register. The default value of resends is 3.

3.1.3.2.1 Completion Timeout Period

Programmed through the *PCI Device Control 2* configuration register (refer to [Section 9.4.6.12](#)). The I210 supports all ranges defined by PCIe v2.1 (2.5GT/s).

A memory read request for which there are multiple completions are considered completed only when all completions have been received by the requester. If some, but not all, requested data is returned before the completion timeout timer expires, the requestor is permitted to keep or to discard the data that was returned prior to timer expiration.

Note: The completion timeout value must be programmed correctly in PCIe configuration space (in the *Device Control 2* register); the value must be set above the expected maximum latency for completions in the system in which the I210 is installed. This ensures that the I210 receives the completions for the requests it sends out, avoiding a completion timeout scenario. It is expected that the system BIOS sets this value appropriately for the system.

3.1.4 Transaction Layer

The upper layer of the PCIe architecture is the transaction layer. The transaction layer connects to the I210 core using an implementation specific protocol. Through this core-to-transaction-layer protocol, the application-specific parts of the I210 interact with the PCIe subsystem and transmit and receive requests to or from the remote PCIe agent, respectively.



3.1.4.1 Transaction Types Accepted by the I210

Table 3-4. Transaction Types Accepted by the Transaction Layer

| Transaction Type | FC Type | Tx Later Reaction | Hardware Should Keep Data From Original Packet |
|-----------------------------|---------------------|-------------------|--|
| Configuration Read Request | NPH | CPLH + CPLD | Requester ID, TAG, Attribute |
| Configuration Write Request | NPH + NPD | CPLH | Requester ID, TAG, Attribute |
| Memory Read Request | NPH | CPLH + CPLD | Requester ID, TAG, Attribute |
| Memory Write Request | PH + PD | - | - |
| I/O Read Request | NPH | CPLH + CPLD | Requester ID, TAG, Attribute |
| I/O Write Request | NPH + NPD | CPLH | Requester ID, TAG, Attribute |
| Read Completions | CPLH + CPLD | - | - |
| Message | PH+ PD ¹ | - | - |

1. MCTP messages contains a payload.

Flow control types:

- PH - Posted request headers
- PD - Posted request data payload
- NPH - Non-posted request headers
- NPD - Non-posted request data payload
- CPLH - Completion headers
- CPLD - Completion data payload

3.1.4.1.1 Configuration Request Retry Status

PCIe supports devices requiring a lengthy self-initialization sequence to complete before they are able to service configuration requests. This is the case for the I210 where initialization is long due to the Flash read operation following reset.

If the read of the PCIe section in the Flash was not completed and the I210 receives a configuration request, the I210 responds with a configuration request retry completion status to terminate the request. This effectively stalls the configuration request until the subsystem completes a local initialization and is ready to communicate with the host.

3.1.4.1.2 Partial Memory Read and Write Requests

The I210 has limited support of read and write requests when only part of the byte enable bits are set as described later in this section.

Partial writes to the MSI-X table are supported. All other partial writes are ignored and silently dropped.

Zero-length writes have no internal impact (nothing written, no effect such as clear-by-write). The transaction is treated as a successful operation (no error event).

Partial reads with at least one byte enabled are answered as a full read. Any side effect of the full read (such as clear by read) is applicable to partial reads also.

Zero-length reads generate a completion, but the register is not accessed and undefined data is returned.



3.1.4.2 Transaction Types Initiated by the I210

Table 3-5. Transaction Types Initiated by the Transaction Layer

| Transaction type | Payload Size | FC Type | From Client |
|--|----------------------------------|-------------|-----------------------------|
| Configuration Read Request Completion | Dword | CPLH + CPLD | Configuration space |
| Configuration Write Request Completion | - | CPLH | Configuration space |
| I/O Read Request Completion | Dword | CPLH + CPLD | CSR |
| I/O Write Request Completion | - | CPLH | CSR |
| Read Request Completion | Dword/Qword | CPLH + CPLD | CSR |
| Memory Read Request | - | NPH | DMA |
| Memory Write Request | <= MAX_PAYLOAD_SIZE ¹ | PH + PD | DMA |
| Message | 64 bytes ² | PH | INT / PM / Error Unit / LTR |

1. MAX_PAYLOAD_SIZE supported is loaded from Flash (128 bytes, 256 bytes or 512 bytes). Effective MAX_PAYLOAD_SIZE is defined according to configuration space register.
2. MCTP messages contains payload.

3.1.4.2.1 Data Alignment

Requests must never specify an address/length combination that causes a memory space access to cross a 4 KB boundary. The I210 breaks requests into 4 KB-aligned requests (if needed). This does not pose any requirement on software. However, if software allocates a buffer across a 4 KB boundary, hardware issues multiple requests for the buffer. Software should consider limiting buffer sizes and base addresses to comply with a 4 KB boundary in cases where it improves performance.

The general rules for packet alignment are as follows:

1. The length of a single request should not exceed the PCIe limit of MAX_PAYLOAD_SIZE for write and MAX_READ_REQ for read.
2. The length of a single request does not exceed the I210's internal limitation.
3. A single request should not span across different memory pages as noted by the 4 KB boundary previously mentioned.

Note: The rules apply to all the I210 requests (read/write, snoop and no snoop).

If a request can be sent as a single PCIe packet and still meet rules 1-3, then it is not broken at a cache-line boundary (as defined in the PCIe Cache Line Size configuration word), but rather, sent as a single packet (motivation is that the chipset might break the request along cache-line boundaries, but the I210 should still benefit from better PCIe use). However, if rules 1-3 require that the request is broken into two or more packets, then the request is broken at a cache-line boundary.

3.1.4.2.2 Multiple Tx Data Read Requests (MULR)

The I210 supports 6 pipelined requests for transmit data on the port. In general, the 6 requests might belong to the same packet or to consecutive packets to be transmitted on the LAN port. However, the following restriction applies: all requests for a packet are issued before a request is issued for a consecutive packet.

Read requests can be issued from any of the supported queues, as long as the restriction is met. Pipelined requests might belong to the same queue or to separate queues. However, as previously noted, all requests for a certain packet are issued (from same queue) before a request is issued for a different packet (potentially from a different queue).



The PCIe specification does not ensure that completions for separate requests return in-order. Read completions for concurrent requests are not required to return in the order issued. The I210 handles completions that arrive in any order. Once all completions arrive for a given request, the I210 might issue the next pending read data request.

- The I210 incorporates a re-order buffer to support re-ordering of completions for all requests. Each request/completion can be up to 2 KB long. The maximum size of a read request is defined as the minimum {2 KB, Max_Read_Request_Size}.

In addition to the 6 pipeline requests for transmit data, the I210 can issue up to one read request to fetch transmit descriptors and one read requests to fetch receive descriptors. The requests for transmit data, transmit descriptors, and receive descriptors are independently issued. Each descriptor read request can fetch up to 16 descriptors for reception and 24 descriptors for transmission.

3.1.4.3 Messages

3.1.4.3.1 Message Handling by the I210 (as a Receiver)

Message packets are special packets that carry a message code.

The upstream device transmits special messages to the I210 by using this mechanism.

The transaction layer decodes the message code and responds to the message accordingly.

Table 3-6. Supported Message in the I210 (as a Receiver)

| Message Code [7:0] | Routing r2r1r0 | Message | I210 Response |
|--|------------------------------|---|--|
| 0x00 | 011b | Unlock | Silently drop |
| 0x14 | 100b | PM_Active_State_NAK | Accepted |
| 0x19 | 011b | PME_Turn_Off | Accepted |
| 0x40 0x41 0x43 0x44 0x45 0x47 0x48 | 100b | Ignored messages (used to be hot-plug messages) | Silently drop |
| 0x50 | 100b | Slot power limit support (has one Dword data) | Silently drop |
| 0x7E | 000b 010b 011b 100b | Vendor_defined type 0 | Drop and handle as an Unsupported Request |
| 0x7F | 100b | Vendor_defined type 1 | Silently drop |
| 0x7F | 000b 010b 011b | Vendor_defined type 1 (see Section 3.1.4.3.3) | Send to MCTP reassembly if Vendor ID = 0x1AB4 (DMTF) and VDM code - 0000b (MCTP). Otherwise, silently drop |



3.1.4.3.2 Message Handling by I210 (as a Transmitter)

The transaction layer is also responsible for transmitting specific messages to report internal/external events (such as interrupts and PMEs).

Table 3-7. Supported Message in the I210 (as a Transmitter)

| Message code [7:0] | Routing r2r1r0 | Message |
|--------------------|----------------|-----------------------------------|
| 0x20 | 100 | Assert INT A |
| 0x21 | 100 | Not used |
| 0x22 | 100 | Not used |
| 0x23 | 100 | Not used |
| 0x24 | 100 | Deassert INT A |
| 0x25 | 100 | Not used |
| 0x26 | 100 | Not used |
| 0x27 | 100 | Not used |
| 0x30 | 000 | ERR_COR |
| 0x31 | 000 | ERR_NONFATAL |
| 0x33 | 000 | ERR_FATAL |
| 0x18 | 000 | PM_PME |
| 0x1B | 101 | PME_TO_ACK |
| 0x10 | 100 | Latency Tolerance Reporting (LTR) |
| 0x7F | 000, 010, 011, | VDM (see Section 3.1.4.3.3) |

3.1.4.3.3 Vendor Defined Messages (VDM)

The following vendor defined messages are supported:

- DMTF MCTP

3.1.4.3.3.1 MCTP VDMs

MCTP VDMs are supported as both master and target. The following header fields are involved (see Figure 3-2):

- Fmt - Set to 11b to indicate a 4 Dword header with data
- Type
 - [4:3] set to 10b to indicate a message
 - [2:0] routing r2r1r0 = 000b, 010b or 011b
- Traffic class - Set to 000b
- TLP digest - Set to 0b (no ECRC) unless the ECRC Generation for MCTP in PCIe Control 2 Flash word is set and ECRC generation is enabled.
- Error present - Set to 0b
- Attributes[1:0] - Set to 01b (no snoop)
- Tag field - Indicates this is an MCTP packet and the size of padding to dword alignment added
- Message code = 0x7F (Type 1 VDM)
- Destination ID - captures the target B/D/F for route by ID. Otherwise, reserved
- Vendor ID = 0x1AB4 (DMTF)



| +0 | | | | | | | | +1 | | | | | | | | +2 | | | | | | | | +3 | | | | | | | | | | | |
|---|---|---|---|------------------|---|---|---|----|-----------|---|---|---|---|---|---|---------------------------|------------|---|--------------------------|---|---|---|---|---------------|---|----------|---|------------------------|---|---|---|--|--|--|--|
| 7 | 6 | 5 | 4 | 3 | 2 | 1 | 0 | 7 | 6 | 5 | 4 | 3 | 2 | 1 | 0 | 7 | 6 | 5 | 4 | 3 | 2 | 1 | 0 | 7 | 6 | 5 | 4 | 3 | 2 | 1 | 0 | | | | |
| Fmt 011 | | | | Type 10r2r1r0 | | | | R | TC 000 | | | | R | A | t | r | R | T | H | T | D | E | P | Attr [1:0] | | AT 00 | | Length 00_000x_xxxx | | | | | | | |
| PCI Requester ID | | | | | | | | | | | | | | | | PCI Tag Field | | | | | | Message Code Vendor Defined = 0111_1111b | | | | | | | | | | | | | |
| | | | | | | | | | | | | | | | | R | Pad Len | | MCTP VDM code - 0000b | | | | | | | | | | | | | | | | |
| PCI Target ID (For Route by ID messages, otherwise = Reserved) | | | | | | | | | | | | | | | | Vendor ID = 0x1AB4 (DMTF) | | | | | | | | | | | | | | | | | | | |

Figure 3-2. MCTP over PCIe VDM Header Format

3.1.4.4 Ordering Rules

The I210 meets the PCIe ordering rules (PCI-X rules) by following the PCI simple device model:

- Deadlock avoidance - Master and target accesses are independent. The response to a target access does not depend on the status of a master request to the bus. If master requests are blocked, such as due to no credits, target completions might still proceed (if credits are available).
- Descriptor/data ordering - The I210 does not proceed with some internal actions until respective data writes have ended on the PCIe link:
 - The I210 does not update an internal header pointer until the descriptors that the header pointer relates to are written to the PCIe link.
 - The I210 does not issue a descriptor write until the data that the descriptor relates to is written to the PCIe link.

The I210 might issue the following master read request from each of the following clients:

- One Rx Descriptor Read
- One Tx Descriptor Read
- Tx Data Read (up to 6)

Completing separate read requests are not guaranteed to return in order. Completions for a single read request are guaranteed to return in address order.

3.1.4.4.1 Out of Order Completion Handling

In a split transaction protocol, when using multiple read requests in a multi processor environment, there is a risk that completions arrive from the host memory out of order and interleaved. In this case, the I210 sorts the request completions and transfers them to the Ethernet in the correct order.

3.1.4.5 Transaction Definition and Attributes

3.1.4.5.1 Max Payload Size

The I210 policy to determine Max Payload Size (MPS) is as follows:



- Master requests initiated by the I210 (including completions) limits MPS to the value defined for the function issuing the request.
- Target write accesses to the I210 are accepted only with a size of one Dword or two Dwords. Write accesses in the range of (three Dwords, MPS, etc.) are flagged as UR. Write accesses above MPS are flagged as malformed.

Refer to Section 2.2.2 - TLPs with Data Payloads - Rules of the PCIe base specification.

3.1.4.5.2 Relaxed Ordering

The I210 takes advantage of the relaxed ordering rules in PCIe. By setting the relaxed ordering bit in the packet header, the I210 enables the system to optimize performance in the following cases:

- Relaxed ordering for descriptor and data reads: When the I210 emits a read transaction, its split completion has no ordering relationship with the writes from the CPUs (same direction). It should be allowed to bypass the writes from the CPUs.
- Relaxed ordering for receiving data writes: When the I210 issues receive DMA data writes, it also enables them to bypass each other in the path to system memory because software does not process this data until their associated descriptor writes complete.
- The I210 cannot relax ordering for descriptor writes, MSI/MSI-X writes or PCIe messages.

Relaxed ordering can be used in conjunction with the no-snoop attribute to enable the memory controller to advance non-snoop writes ahead of earlier snooped writes.

Relaxed ordering is enabled in the I210 by clearing the *RO_DIS* bit in the CTRL_EXT register. Actual setting of relaxed ordering is done for LAN traffic by the host through the DCA registers.

3.1.4.5.3 Snoop Not Required

The I210 sets the *Snoop Not Required* attribute bit for master data writes. System logic might provide a separate path into system memory for non-coherent traffic. The non-coherent path to system memory provides higher, more uniform, bandwidth for write requests.

Note: The *Snoop Not Required* attribute does not alter transaction ordering. Therefore, to achieve maximum benefit from *Snoop Not Required* transactions, it is advisable to set the relaxed ordering attribute as well (assuming that system logic supports both attributes). In fact, some chipsets require that relaxed ordering is set for no-snoop to take effect.

Global no-snoop support is enabled in the I210 by clearing the *NS_DIS* bit in the CTRL_EXT register. Actual setting of no snoop is done for LAN traffic by the host through the DCA registers.

3.1.4.5.4 No Snoop and Relaxed Ordering for LAN Traffic

Software might configure non-snoop and relax order attributes for each queue and each type of transaction by setting the respective bits in the RXCTRL and TXCTRL registers.

Table 3-8 lists software configuration for the *No-Snoop* and *Relaxed Ordering* bits for LAN traffic when I/OAT 2 is enabled.

Table 3-8. LAN Traffic Attributes

| Transaction | No-Snoop | Relaxed Ordering | Comments |
|--------------------------|----------|------------------|---|
| Rx Descriptor Read | N | Y | |
| Rx Descriptor Write-Back | N | N | Relaxed ordering must never be used for this traffic. |

**Table 3-8. LAN Traffic Attributes (Continued)**

| | | | |
|--------------------------|---|---|---|
| Rx Data Write | Y | Y | Refer to Note 1 and Section 3.1.4.5.4.1 |
| Rx Replicated Header | N | Y | |
| Tx Descriptor Read | N | Y | |
| Tx Descriptor Write-Back | N | Y | |
| Tx TSO Header Read | N | Y | |
| Tx Data Read | N | Y | |

Note:

1. Rx payload no-snoop is also conditioned by the *NSE* bit in the receive descriptor. Refer to Section 3.1.4.5.4.1.

3.1.4.5.4.1 No-Snoop Option for Payload

Under certain conditions, which occur when I/OAT is enabled, software knows that it is safe to transfer (DMA) a new packet into a certain buffer without snooping on the front-side bus. This scenario typically occurs when software is posting a receive buffer to hardware that the CPU has not accessed since the last time it was owned by hardware. This might happen if the data was transferred to an application buffer by the I/OAT DMA engine.

In this case, software should be able to set a bit in the receive descriptor indicating that the I210 should perform a no-snoop DMA transfer when it eventually writes a packet to this buffer.

When a non-snoop transaction is activated, the TLP header has a non-snoop attribute in the *Transaction Descriptor* field.

This is triggered by the *NSE* bit in the receive descriptor. Refer to Section 7.1.4.2.

3.1.4.5.5 TLP Processing Hint (TPH)

The *TPH* bit can be set to provide information to the root complex about the cache in which the data should be stored or from which the data should be read as described in Section 7.7.2.

TPH is enabled via the *TPH Requester Enable* field in the TPH control register of the configuration space (refer to Section 9.5.3.3). Setting of the *TPH* bit for different type of traffic is listed in Table 7-61.

3.1.4.6 Flow Control**3.1.4.6.1 I210 Flow Control Rules**

The I210 implements only the default Virtual Channel (VC0). A single set of credits is maintained for VC0.

Table 3-9. Allocation of FC Credits

| Credit Type | Operations | Number Of Credits |
|---------------------------------|---|---------------------|
| Posted Request Header (PH) | Target Write (one unit) Message (one unit) | Four units |
| Posted Request Data (PD) | Target Write (Length/16 bytes=1) Message (one unit) | MAX_PAYLOAD_SIZE/16 |
| Non-Posted Request Header (NPH) | Target Read (one unit) Configuration Read (one unit) Configuration Write (one unit) | Four units |

**Table 3-9. Allocation of FC Credits (Continued)**

| | | |
|-------------------------------|--------------------------------|---------------------------------|
| Non-Posted Request Data (NPD) | Configuration Write (one unit) | Four units |
| Completion Header (CPLH) | Read Completion (N/A) | Infinite (accepted immediately) |
| Completion Data (CPLD) | Read Completion (N/A) | Infinite (accepted immediately) |

Rules for FC updates:

- The I210 maintains four credits for NPD at any given time. It increments the credit by one after the credit is consumed and sends an UpdateFC packet as soon as possible. UpdateFC packets are scheduled immediately after a resource is available.
- The I210 provides four credits for PH (such as for four concurrent target writes) and four credits for NPH (such as for four concurrent target reads). UpdateFC packets are scheduled immediately after a resource becomes available.
- The I210 follows the PCIe recommendations for frequency of UpdateFC FCPs.

3.1.4.6.2 Upstream Flow Control Tracking

The I210 issues a master transaction only when the required FC credits are available. Credits are tracked for posted, non-posted, and completions (the later to operate with a switch).

3.1.4.6.3 Flow Control Update Frequency

In any case, UpdateFC packets are scheduled immediately after a resource becomes available.

When the link is in the L0 or L0s link state, Update FCPs for each enabled type of non-infinite FC credit must be scheduled for transmission at least once every 30 μ s (-0%/+50%), except when the *Extended Sync* bit of the Control Link register is set, in which case the limit is 120 μ s (-0%/+50%).

3.1.4.6.4 Flow Control Timeout Mechanism

The I210 implements the optional FC update timeout mechanism.

The mechanism is activated when the link is in L0 or L0s Link state. It uses a timer with a limit of 200 μ s (-0%/+50%), where the timer is reset by the receipt of any Init or Update FCP. Alternately, the timer can be reset by the receipt of any DLLP.

After timer expiration, the mechanism instructs the PHY to re-establish the link (via the LTSSM recovery state).

3.1.4.7 Error Forwarding

If a TLP is received with an error-forwarding trailer (poisoned TLP received), the transaction can either be resent or dropped and not delivered to its destination, depending on the *GCR.Completion Timeout resend enable* bit and the *GCR.Number of resends* field. If the re-sends were unsuccessful or if re-send is disabled, the I210 does not initiate any additional master requests for that PCI function until it detects an internal reset or a software reset for the LAN. Software is able to access device registers after such a fault.

System logic is expected to trigger a system-level interrupt to inform the operating system of the problem. The operating system can then stop the process associated with the transaction, re-allocate memory instead of the faulty area, etc.



3.1.5 Data Link Layer

3.1.5.1 ACK/NAK Scheme

The I210 sends an ACK/NAK immediately in the following cases:

1. NAK needs to be sent
2. ACK for duplicate packet
3. ACK/NAK before low power state entry

In all other cases, the I210 schedules an ACK transmission according to time-outs specified in the PCIe specification (depends on link speed, link width, and max_payload_size).

3.1.5.2 Supported DLLPs

The following DLLPs are supported by the I210 as a receiver:

Table 3-10. DLLPs Received by the I210

| DLLP type | Remarks |
|----------------|------------------------|
| ACK | |
| NAK | |
| PM_Request_ACK | |
| InitFC1-P | Virtual Channel 0 only |
| InitFC1-NP | Virtual Channel 0 only |
| InitFC1-Cpl | Virtual Channel 0 only |
| InitFC2-P | Virtual Channel 0 only |
| InitFC2-NP | Virtual Channel 0 only |
| InitFC2-Cpl | Virtual Channel 0 only |
| UpdateFC-P | Virtual Channel 0 only |
| UpdateFC-NP | Virtual Channel 0 only |
| UpdateFC-Cpl | Virtual Channel 0 only |

The following DLLPs are supported by the I210 as a transmitter:

Table 3-11. DLLPs Initiated by the I210

| DLLP type | Remarks |
|----------------------------|------------------------|
| ACK | |
| NAK | |
| PM_Enter_L1 | |
| PM_Enter_L23 | |
| PM_Active_State_Request_L1 | |
| InitFC1-P | Virtual Channel 0 only |
| InitFC1-NP | Virtual Channel 0 only |
| InitFC1-Cpl | Virtual Channel 0 only |
| InitFC2-P | Virtual Channel 0 only |
| InitFC2-NP | Virtual Channel 0 only |

**Table 3-11. DLLPs Initiated by the I210 (Continued)**

| DLLP type | Remarks |
|-------------|------------------------|
| InitFC2-Cpl | Virtual Channel 0 only |
| UpdateFC-P | Virtual Channel 0 only |
| UpdateFC-NP | Virtual Channel 0 only |

Note: UpdateFC-Cpl is not sent because of the infinite FC-Cpl allocation.

3.1.5.3 Transmit EDB Nullifying

If re-train is necessary, there is a need to guarantee that no abrupt termination of the Tx packet happens. For this reason, early termination of the transmitted packet is possible. This is done by appending an End Bad Symbol (EDB) to the packet.

3.1.6 Physical Layer

3.1.6.1 Link Speed

- The I210 supports only 2.5GT/s link speeds.

The I210 does not initiate a hardware autonomous speed change and as a result the *Hardware Autonomous Speed Disable* bit in the PCIe Link Control 2 register is hardwired to 0b.

The I210 supports entering compliance mode at the speed indicated in the *Target Link Speed* field in the PCIe Link Control 2 register. Compliance mode functionality is controlled via the *Enter Compliance* bit in the PCIe Link Control 2 register.

3.1.6.2 Link Width

The I210 supports a maximum link width of x1.

During link configuration, the platform and the I210 negotiate on a common link width. The link width must be x1.

3.1.6.3 Polarity Inversion

If polarity inversion is detected, the receiver must invert the received data.

During the training sequence, the receiver looks at Symbols 6-15 of TS1 and TS2 as the indicator of lane polarity inversion (D+ and D- are swapped). If lane polarity inversion occurs, the TS1 Symbols 6-15 received are D21.5 as opposed to the expected D10.2. Similarly, if lane polarity inversion occurs, Symbols 6-15 of the TS2 ordered set are D26.5 as opposed to the expected D5.2. This provides clear indication of lane polarity inversion.

3.1.6.4 L0s Exit latency

The number of FTS sequences (N_FTS) sent during L1 exit, can be loaded from the Flash.



3.1.6.5 Reset

The PCIe PHY can supply a core reset to the I210. The reset can be caused by three sources:

1. Upstream move to hot reset - Inband Mechanism (LTSSM).
2. Recovery failure (LTSSM returns to detect).
3. Upstream component moves to disable.

3.1.6.6 Scrambler Disable

The scrambler/de-scrambler functionality in the I210 can be disabled by either one of the two connected devices according to the PCIe specification.

3.1.7 Error Events and Error Reporting

3.1.7.1 Mechanism in General

PCIe defines two error reporting paradigms: the baseline capability and the Advanced Error Reporting (AER) capability. The baseline error reporting capabilities are required of all PCIe devices and define the minimum error reporting requirements. The AER capability is defined for more robust error reporting and is implemented with a specific PCIe capability structure.

Both mechanisms are supported by the I210.

Also, the *SERR# Enable* and the *Parity Error* bits from the Legacy Command register take part in the error reporting and logging mechanism.

3.1.7.2 Error Events

Table 3-12 lists the error events identified by the I210 and the response in terms of logging, reporting, and actions taken. Consult the PCIe specification for the effect on the PCI Status register.

Table 3-12. Response and Reporting of PCIe Error Events

| Error Name | Error Events | Default Severity | Action |
|--------------------------------|---|----------------------------------|---|
| PHY errors | | | |
| Receiver error | 8b/10b decode errors Packet framing error | Correctable. Send ERR_CORR | TLP to initiate NAK and drop data. DLLP to drop. |
| Data link errors | | | |
| Bad TLP | <ul style="list-style-type: none"> • Bad CRC • Not legal EDB • Wrong sequence number | Correctable. Send ERR_CORR | TLP to initiate NAK and drop data. |
| Bad DLLP | <ul style="list-style-type: none"> • Bad CRC | Correctable. Send ERR_CORR | DLLP to drop. |
| Replay timer timeout | <ul style="list-style-type: none"> • REPLAY_TIMER expiration | Correctable. Send ERR_CORR | Follow LL rules. |
| REPLAY NUM rollover | <ul style="list-style-type: none"> • REPLAY NUM rollover | Correctable. Send ERR_CORR | Follow LL rules. |
| Data link layer protocol error | <ul style="list-style-type: none"> • Violations of Flow Control Initialization Protocol • Reception of NACK/ACK with no corresponding TLP | Uncorrectable. Send ERR_FATAL | Follow LL rules. |



Table 3-12. Response and Reporting of PCIe Error Events (Continued)

| Error Name | Error Events | Default Severity | Action |
|--|--|---|---|
| TLP errors | | | |
| Poisoned TLP received | <ul style="list-style-type: none"> TLP with error forwarding | Uncorrectable. ERR_NONFATAL Log header | A poisoned completion is ignored and the request can be retried after timeout. If enabled, the error is reported. |
| Unsupported Request (UR) | <ul style="list-style-type: none"> Wrong config access MRdLk Configuration request type 1 Unsupported vendor Defined type 0 message Not valid MSG code Not supported TLP type Wrong function number Received TLP outside address range | Uncorrectable. ERR_NONFATAL Log header | Send completion with UR. |
| Completion timeout | <ul style="list-style-type: none"> Completion timeout timer expired | Uncorrectable. ERR_NONFATAL | Error is non-fatal (default case): <ul style="list-style-type: none"> Send error message if advisory Retry the request once and send advisory error message on each failure If fails, send uncorrectable error message Error is defined as fatal: <ul style="list-style-type: none"> Send uncorrectable error message |
| Completer abort | <ul style="list-style-type: none"> Received target access with data size > 64-bit | Uncorrectable. ERR_NONFATAL Log header | Send completion with CA. |
| Unexpected completion | <ul style="list-style-type: none"> Received completion without a request for it (tag, ID, etc.) | Uncorrectable. ERR_NONFATAL Log header | Discard TLP. |
| Receiver overflow | <ul style="list-style-type: none"> Received TLP beyond allocated credits | Uncorrectable. ERR_FATAL | Receiver behavior is undefined. |
| Flow control protocol error | <ul style="list-style-type: none"> Minimum initial flow control advertisements Flow control update for infinite credit advertisement | Uncorrectable. ERR_FATAL | Receiver behavior is undefined. The I210 doesn't report violations of flow control initialization protocol |
| Malformed TLP (MP) | <ul style="list-style-type: none"> Data payload exceed Max_Payload_Size Received TLP data size does not match length field TD field value does not correspond with the observed size Power management messages that doesn't use TC0. Usage of unsupported VC. | Uncorrectable. ERR_FATAL Log header | Drop the packet and free FC credits. |
| Completion with unsuccessful completion status | | No action (already done by originator of completion). | Free FC credits. |
| Byte count integrity in completion process. | When byte count isn't compatible with the length field and the actual expected completion length. For example, length field is 10 (in Dword), actual length is 40, but the byte count field that indicates how many bytes are still expected is smaller than 40, which is not reasonable. | No action | The I210 doesn't check for this error and accepts these packets. This might cause a completion timeout condition. |



3.1.7.3 Error Forwarding (TLP Poisoning)

If a TLP is received with an error-forwarding trailer, the transaction can be re-sent a number of times as programmed in the GCR register. If transaction still fails the packet is dropped and is not delivered to its destination. The I210 then reacts as listed in [Table 3-12](#).

The I210 does not initiate any additional master requests for that PCI function until it detects an internal software reset for the LAN port. Software is able to access device registers after such a fault.

System logic is expected to trigger a system-level interrupt to inform the operating system of the problem. Operating systems can then stop the process associated with the transaction, re-allocate memory instead of the faulty area, etc.

3.1.7.4 ECRC

The I210 supports End to End CRC (ECRC) as defined in the PCIe specification. The following functionality is provided:

- Inserting an ECRC in all transmitted TLPs:
 - The I210 indicates support for inserting ECRC in the *ECRC Generation Capable* bit of the PCIe configuration registers. This bit is loaded from the ECRC Generation Flash bit.
 - Inserting an ECRC is enabled by the *ECRC Generation Enable* bit of the PCIe configuration registers. For MCTP packets, it is also controlled by the ECRC Generation for MCTP in PCIe Control 2 Flash word.
- ECRC is checked on all incoming TLPs. A packet received with an ECRC error is dropped. Note that for completions, a completion timeout occurs later (if enabled), which would result in re-issuing the request.
 - The I210 indicates support for ECRC checking in the *ECRC Check Capable* bit of the PCIe configuration registers. This bit is loaded from the ECRC Check Flash bit.
 - ECRC checking is enabled by the *ECRC Check Enable* bit of the PCIe configuration registers.
- ECRC errors are reported.

3.1.7.5 Partial Read and Write Requests

3.1.7.5.1 Partial Memory Accesses

The I210 has limited support of read/write requests with only part of the byte enable bits set:

- Partial writes with at least one byte enabled should not be used. If used, the results are unexpected, either the byte enable request is honored or the entire Dword is written.
- Zero-length writes has no internal impact (nothing written, no effect such as clear-by-write). The transaction is treated as a successful operation (no error event).
- Partial reads with at least one byte enabled are handled as a full read. Any side effect of the full read (such as clear by read) is also applicable to partial reads.
- Zero-length reads generate a completion, but the register is not accessed and undefined data is returned.

The I210 does not generate an error indication in response to any of the above events.

3.1.7.5.2 Partial I/O Accesses

- Partial access on address



- A write access is discarded
- A read access returns 0xFFFF
- Partial access on data, where the address access was correct
 - A write access is discarded
 - A read access performs the read

3.1.7.6 Error Pollution

Error pollution can occur if error conditions for a given transaction are not isolated on the error's first occurrence. If the physical layer detects and reports a receiver error, to avoid having this error propagate and cause subsequent errors at upper layers, the same packet is not signaled at the data link or transaction layers.

Similarly, when the data link layer detects an error, subsequent errors that occur for the same packet are not signaled at the transaction layer.

3.1.7.7 Completion with Unsuccessful Completion Status

A completion with unsuccessful completion status is dropped and not delivered to its destination. An interrupt is generated to indicate unsuccessful completion.

3.1.7.8 Error Reporting Changes

The Rev. 1.1 specification defines two changes to advanced error reporting. A new *Role-Based Error Reporting* bit in the Device Capabilities register is set to 1b to indicate that these changes are supported by the I210. These changes are:

1. Setting the *SERR# Enable* bit in the PCI Command register also enables UR reporting (in the same manner that the *SERR# Enable* bit enables reporting of correctable and uncorrectable errors). In other words, the *SERR# Enable* bit overrides the *UR Error Reporting Enable* bit in the PCIe Device Control register.
2. Changes in the response to some uncorrectable non-fatal errors, detected in non-posted requests to the I210. These are called advisory non-fatal error cases. For each of the errors that follow, the following behavior is defined:
 - a. The *Advisory Non-Fatal Error Status* bit is set in the Correctable Error Status register to indicate the occurrence of the advisory error and the *Advisory Non-Fatal Error Mask* corresponding bit in the Correctable Error Mask register is checked to determine whether to proceed further with logging and signaling.
 - b. If the *Advisory Non-Fatal Error Mask* bit is clear, logging proceeds by setting the corresponding bit in the Uncorrectable Error Status register, based upon the specific uncorrectable error that's being reported as an advisory error. If the corresponding uncorrectable error bit in the Uncorrectable Error Mask register is clear, the First Error Pointer and Header Log registers are updated to log the error, assuming they are not still occupied by a previously unserved error.
 - c. An ERR_COR message is sent if the *Correctable Error Reporting Enable* bit is set in the Device Control register. An ERROR_NONFATAL message is not sent for this error.

The following uncorrectable non-fatal errors are considered as advisory non-fatal Errors:

- A completion with an Unsupported Request or Completer Abort (UR/CA) status that signals an uncorrectable error for a non-posted request. If the severity of the UR/CA error is non-fatal, the completer must handle this case as an advisory non-fatal error.
- When the requester of a non-posted request times out while waiting for the associated completion, the requester is permitted to attempt to recover from the error by issuing a separate subsequent



request, or to signal the error without attempting recovery. The requester is permitted to attempt recovery zero, one, or multiple (finite) times, but must signal the error (if enabled) with an uncorrectable error message if no further recovery attempts are made. If the severity of the completion timeout is non-fatal and the requester elects to attempt recovery by issuing a new request, the requester must first handle the current error case as an advisory non-fatal error.

- Reception of a poisoned TLP. Refer to [Section 3.1.7.3](#).
- When a receiver receives an unexpected completion and the severity of the unexpected completion error is non-fatal, the receiver must handle this case as an advisory non-fatal error.

3.1.7.9 Completion with Unsupported Request (UR) or Completer Abort (CA)

A DMA master transaction ending with an Unsupported Request (UR) completion or a Completer Abort (CA) completion causes all PCIe master transactions to stop, *PICAUSE.ABR* bit is set and an interrupt is generated if the appropriate *Mask* bits are set. To enable PCIe master transactions after receiving an UR or CA completion, software should issue a Device Reset (*CTRL.DEV_RST*) and re-initialize the function.

Note: Asserting *CTRL.DEV_RST* flushes any pending transactions on the PCIe and reset's the port.

3.1.8 PCIe Power Management

Described in [Section 5.4.1](#) - Power Management.

3.1.9 PCIe Programming Interface

Described in [Chapter 9.0](#) - PCIe Programming Interface

3.2 Management Interfaces

The I210 contains three possible interfaces to an external MC.

- SMBus
- NC-SI
- MCTP (over PCIe or SMBus)

3.2.1 SMBus

SMBus is an optional interface for pass-through and/or configuration traffic between an external MC and the I210. The SMBus channel behavior and the commands used to configure or read status from the I210 are described in [Section 10.5](#).

The I210 also enables reporting and controlling the device using the MCTP protocol over SMBus. The MCTP interface is used by the MC to control the NIC and for pass through traffic. For additional information, refer to [Section 10.7](#).



3.2.1.1 Channel Behavior

The SMBus specification defines a maximum frequency of 100 KHz. However, when acting as a slave, the I210 can receive transaction with a clock running at up to 1 MHz. When acting as a master, it can toggle the clock at 100 KHz, 400 KHz or 1 MHz. The speed used is set by the *SMBus Connection Speed* field in the SMBus Notification Timeout and Flags Flash word ([Section 6.7.3.3](#)).

3.2.2 NC-SI

The NC-SI interface in the I210 is a connection to an external MC defined by the DMTF NC-SI protocol. It operates as a single interface with an external MC, where all traffic between the I210 and the MC flows through the interface.

The I210 supports the standard DMTF NC-SI protocol for both pass-through and control traffic as defined in [Section 10.6](#).

3.2.2.1 Electrical Characteristics

The I210 complies with the electrical characteristics defined in the NC-SI specification.

The I210 NC-SI behavior is configured on power-up in the following manner:

- The *Multi-Drop NC-SI* Flash bit (refer to [Section 6.7.1.3](#)) defines the NC-SI topology (point-to-point or multi-drop; the default is multi-drop).

The I210 dynamically drives its NC-SI output signals (NC-SI_DV and NC-SI_RX) as required by the sideband protocol:

- On power-up, the I210 floats the NC-SI outputs.
- If the I210 operates in point-to-point mode, then the I210 starts driving the NC-SI outputs some time following power-up.
- If the I210 operates in a multi-drop mode, the I210 drives the NC-SI outputs as configured by the MC.

3.2.2.2 NC-SI Transactions

The NC-SI link supports both pass-through traffic between the MC and the I210 LAN functions, as well as configuration traffic between the MC and the I210 internal units as defined in the NC-SI protocol. Refer to [Section 10.6.2](#) for information.

3.2.3 MCTP (over PCIe or SMBus)

The I210 supports MCTP protocol for management. MCTP runs over PCIe or SMBus. The I210 implements NC-SI over MCTP protocol for command and pass through traffic.

3.3 Flash

3.3.1 General Overview

The I210 uses a Flash device for storing product configuration information. The Flash is divided into four general regions:



- **Hardware Accessed** — Loaded by the the I210 hardware after power-up, PCI reset de-assertion, D3 to D0 transition, or software reset. Different hardware sections in the Flash are loaded at different events. For more details on power-up and reset sequences, see Section 4.0.
- **Secure Firmware Area** — Firmware code and structures used by the firmware for management configuration in its different modes.
- **Unsecure Firmware Area** — Same as above -Firmware code and structures used by the firmware for management configuration in its different modes. This area is used by the software for updating the new firmware code and structures.
- **Software Accessed** — used by software only. The meaning of these words as listed here is a convention for the software only and is ignored by the I210. This region is used by software entities such as LAN drivers, option ROM software and tools, PCIe bus drivers etc. The content of this area is listed here as a convenience for software developers only and is ignored by the I210 hardware.

Note: The role played by the secured area and the unsecured area is toggled on every Firmware update. This is referred as the double bank update policy.

The I210 merges the legacy EEPROM and Flash content in a single Flash device. Flash devices require a sector erase instruction in case a cell is modified from 0b to 1b. As a result, in order to update a single byte (or block of data) it is required to erase it first. The I210 supports Flash devices with a sector erase size of 4 KB. Note that many Flash vendors are using the term sector differently. The I210 EAS uses the term Flash sector for a logic section of 4 KB.

The I210 supports Flash devices that are either write-protected by default after power-up or not. The I210 removes the protection by sending the write-protection removal OpCode to the Flash after power up. For the first programming of a blank Flash, it is the host's responsibility to remove the write-protection from the Flash part via bit-banging access. Refer to [Section 11.8](#) for the list of the Flash devices supported by the I210.

The following OpCodes must be supported by the I210 as they are common to all the supported Flash devices:

| Name | Opcode | Description |
|--------------|---------------|---------------------------------|
| WREN | 0x6 | Write Enable |
| RDID | 0x9f | Read JEDEC Manufacture ID |
| WRSR | 0x1 | Write Status |
| READ | 0x3 | Flash Read |
| RDSR | 0x5 | Read Flash Status |
| Sector Erase | 0x20 | 4 KB Sector Erase |
| Flash Erase | 0xc7 | Flash Erase |
| Page Program | 0x2 | Write to the Flash |
| Fast Read | 0x0b | Read data bytes at higher speed |

The other OpCodes to be supported are loaded from the firmware secured area into a set of Flash Opcode registers.



3.3.1.1 EEPROM Image Structures

The first valid 4 KB of the Flash is referred herein as the EEPROM Image or as the shadow RAM.

It contains the pointers to all Flash modules, which can be mapped either inside or outside the EEPROM image. Flash words in the EEPROM image that do not belong to any pointed module are referred to as the Flash header.

The Flash mapping is described in [Chapter 6.0](#).

3.3.1.2 Flash Detection, NVM Validity Field, and Non-Secure Mode

The I210 supports detection of Flash existence following power-up and detection of a valid Flash image via the *NVM Validity* field in the NVM Validity and Protected Fields Flash word 0x12 (refer to [Section 6.2.8](#)).

The I210 enters non-secure mode (blank Flash programming mode) in the following scenarios:

- No Flash device is detected
- Invalid NVM Validity field read from Flash word 0x12
- The NVM_SEC_EN bit is read as 0b from Flash word 0x12
- Device ID field read from firmware image is not the I210's 0x1531 Device ID
- The SECURITY_ENABLE strap is off

In non-secure mode, all Flash access interfaces from the host to any Flash area or word are enabled in full.

In cases of an invalid NVM Validity field contents, or no Flash detection, auto-load from Flash by hardware or firmware after power-up or reset is not performed.

As a physical recovery method required for manufacturing, the non-secure mode can also be entered by setting a strapping option. Only host access to Flash and shadow RAM is guaranteed when in this mode.

Similarly, as a means to recover from an operational error that might occur during Flash programming, the ROM-based firmware enters the device into non-secure mode if the I210 *Blank Flash Device ID* field content read from the firmware image is not 0x1531, which is used by the tools for specific the I210 SKUs.

Unless specified otherwise, secure mode is assumed throughout this document.

3.3.2 Shadow RAM

The I210 maintains the first two 4 KB sectors, Sector 0 and Sector 1, for the hardware configuration content. At least one of these two sectors must be valid at any given time or else the I210 is set by hardware default (iNVM). Following a Power On Reset (POR), the I210 copies the valid lower 4 KB sector of the Flash device into an internal shadow RAM. Any further accesses of the software or firmware to this section of the Flash are directed to the internal shadow RAM. After a software command, modifications made to the shadow RAM content are then copied by the I210 manageability into the other 4 KB sector of the Flash, flipping circularly the valid sector between sector 0 and 1 of Flash.



Due to Flash security reasons, hardware does not allow any Flash accesses until the Flash is authenticated and the blocked (protected) sections of the Flash are identified. See more on Flash security in [Section 3.3.10](#).

This mechanism provides the following advantages:

1. A seamless backward compatible read/write interface for software to the first 4 KB of the Flash as if an external EEPROM device was connected. This interface is referred as EEPROM-mode access to the Flash.
2. A way for software to protect image-update procedure from power down events by establishing a double-image policy. It relies on having pointers to all the other Flash modules mapped in the Flash sector which is mirrored in the internal shadow RAM.

Figure 3.3 shows the shadow RAM mapping and interface.

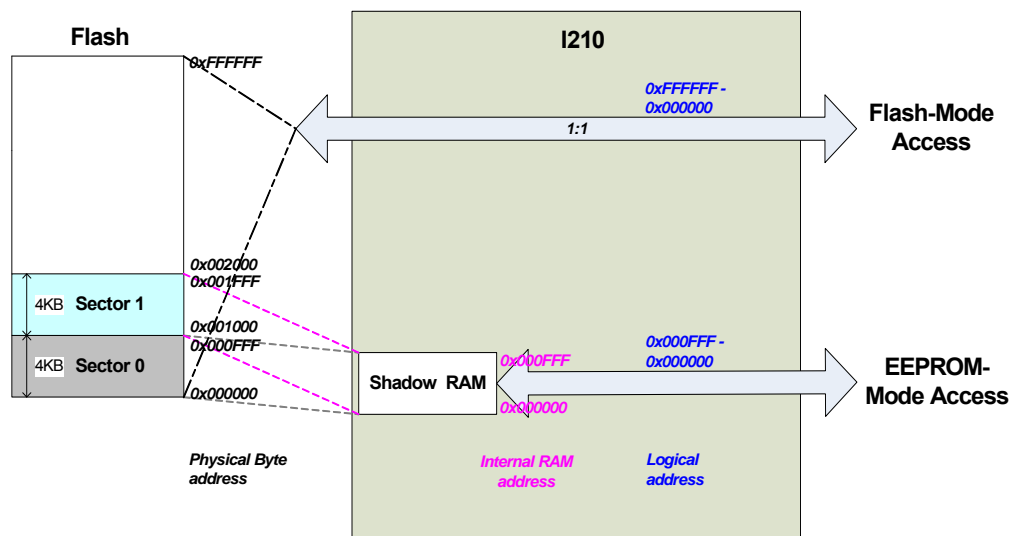


Figure 3.3. Flash Shadow RAM

Following a write access by software or firmware to the shadow RAM, the data should finally be updated in the Flash as well. The I210 manageability updates the Flash from the shadow RAM when software requests explicitly to update the Flash by setting the *FLUPD* bit in the EEC register. For saving Flash updates, it is expected that software set the *FLUPD* bit only once it has completed the last write access to the Flash. The I210 manageability then copies the content of the shadow RAM to the non-valid configuration sector and makes it the valid one.

Notes: Software should be aware that programming the Flash might require a long latency due to the Flash update sequence handled by manageability. The sector erase command by itself can last hundreds of milliseconds. Software must poll the *FLUDONE* bit in the EEC register to check whether or not the Flash programming completed.

Each time the Flash content is not valid (blank configuration sectors or wrong NVM Validity field contents in both sector 0 and 1) EEPROM access mode is turned off. Software should rather use one of the three flash access means described in [Section 3.3.3](#).



3.3.2.1 Protected Areas and Words

The I210 provides a mechanism to define selected areas (two areas) in the shadow RAM that cannot be written by the host; however, the protected areas can be read by the host. They can be write accessed only by the manageability subsystem. The two protected areas are defined via the following registers:

1. The first protected area is a segment defined by words 0x2D and 0x2C that define the start and the end of this read-only area. They are used to load the *1st Start Address* and the *1st End Address* fields in EEBLKBASE and EEBLKEND registers, respectively.
2. The second protected area is located at the end of the 4 KB shadow RAM. Its size from the shadow RAM's end is defined in Flash word 0x12. It is used to load the *2nd Start Address* field in EEBLKBASE register.

For security reasons, the following Flash modules must be mapped into one of the protected areas:

- SW Reset CSR Auto Configuration Pointer (LAN Base Address + Offset 0x17) - [Section 6.3](#)
- PCIe Reset CSR Auto Configuration Pointer (LAN Base Address + Offset 0x23) - [Section 6.4](#)
- CSR Auto Configuration Power-Up Pointer (Offset 0x27) - [Section 6.5](#)

Besides these configurable protected areas, some fixed Flash words in the Flash header are also write-protected from host (RO for host, RW for manageability). It concerns mainly pointers to Flash modules and other Flash words that are critical for the host to device connectivity over PCIe.

Refer to the right-most column in [Table 6-1](#) for the list of protected words.

Any host attempt to write a protected area or word is silently discarded.

Besides protected areas and words mapped in the shadow RAM, the Secure Firmware Area (pointed by Flash word 0x10) is always write protected from host. The size of this area is defined in the `size` field in the module itself.

3.3.3 Flash Clients and Interfaces

There are several clients that can access the Flash to different address ranges via different access modes, methods, and interfaces. The various clients to the Flash are software tools (BIOS, etc.), drivers, MC (via firmware), and VPD software.

[Table 3-13](#) lists the different accesses to the Flash.

Table 3-13. Clients and Access Types to the Flash

| Client | Flash Access Method | Flash Access Mode | Logical Byte Address Range | Flash Access Interface (CSRs or Other) |
|--------------|---------------------|-------------------|----------------------------|---|
| VPD Software | Parallel (32-bits) | EEPROM | 0x000000 - 0x0003FF | VPD Address and Data registers (PCI_E config space), via shadow RAM logic. Any write access is pushed by the I210 into the Flash as soon as possible. VPD module must be located in the first valid Flash sector. |



| Client | Flash Access Method | Flash Access Mode | Logical Byte Address Range | Flash Access Interface (CSRs or Other) |
|----------|---------------------|-------------------|----------------------------|--|
| Software | Parallel (16-bits) | EEPROM | 0x000000 - 0x000FFF | EERD, EEWR, via shadow RAM logic. |
| | Parallel (32-bits) | Flash | 0x000000 - 0x001FFF | Memory mapped via BARs. Write access to this range is not allowed when in Secure mode. The transaction is completed but not executed. |
| | | Flash | 0x002000 - 0xFFFFF | Memory mapped via BARs. |
| | Parallel (32-bits) | Flash | 0x000000 - 0x001FFF | FLSW* register set - Software/Flash burst control. Write access to this range is not allowed when in Secure mode. The transaction is completed with FLSWCTL.CMDV bit cleared and not executed. |
| | | Flash | 0x002000 - 0xFFFFF | FLSW* register set - Software/Flash burst control |
| Software | Bit-banging (1-bit) | Flash | 0x000000 - 0xFFFFF | FLA. Access allowed to Software only when in the non-secure mode. |

Note: Firmware saves words like SMBus Slave Addresses or Signature, which are saved into the Flash at the firmware's initiative. Software attempts to write access protected areas or words are silently discarded (access completed but not executed).

3.3.3.1 Memory Mapped Host Interface

The Flash device can be mapped into memory and/or I/O address space of the PF through the use of Base Address Registers (BARs).

Clearing the *FLBAR_Size* and *CSR_Size* fields in PCIe Control 2 Flash word (Word 0x28) to 0b, disables Flash mapping to PCI space via the Flash Base Address register.

Setting the *LAN Boot Disable* bit in the Initialization Control 3 Flash word, disables Flash mapping to the PCI space via the Expansion ROM Base Address register

Using the legacy Flash transactions, the Flash is read from, or written to (under Flash security rules), by The I210 each time the host CPU performs a read or a write operation to a memory location that is within the Flash address mapping or upon boot via accesses in the space indicated by the Expansion ROM Base Address register. Accesses to the Flash are based on a direct decode of CPU accesses to a memory window defined in either:

- Memory CSR + Flash Base Address Register (PCIe Control Register at offset 0x10). Refer to [Section 9.3.11](#). Memory BAR accesses are mapped to the Flash, starting from word address 0x0, and up to the exposed BAR size - never beyond it.
- The Expansion ROM Base Address Register (PCIe Control Register at offset 0x30). Refer to [Section 9.3.15](#). Expansion-ROM BAR accesses are mapped to the Flash, starting from the fixed word address 0x1000. For example, just after the first 8 KB used for the shadow RAM banks.
 - a. For *BAR_SIZE* = 0.5 MB, read accesses to the last 8 KB of the Expansion-ROM BAR returns unpredictable data. Refer to [Figure 3-4](#).
 - b. For *BAR_SIZE* >= 1 MB, read accesses beyond (1 MB - 8 KB) of the Expansion-ROM BAR returns unpredictable data. Refer to [Figure 3-5](#).

For accesses through any of the two BARs, the following occurs:

- If the Flash part is larger than the exposed BAR size (for saving operating system address space), accesses to the upper Flash addresses are not possible through the BAR.



- If the Flash part is smaller than the exposed BAR size (further to a wrong Flash setting or because of the 128 KB added for CSRs), accesses are (naturally) wrapped around when attempting to access upper addresses.

The I210 is responsible to map accesses via the Expansion ROM BAR to the physical Flash. The offset in the Flash of the Expansion ROM module is fixed and starts at word address 0x001000.

- If there is no valid Flash Validity field in the two first 4 KB sectors, then Expansion ROM BAR is disabled.
- When present, the Expansion-ROM module must be mapped starting from word address 0x1000. For example, just after the first 8 KB of the Flash.
- When no Expansion-ROM module is present, the Flash area starting from word address 0x1000 can be used for other modules mapped outside of the shadow RAM (such as the firmware image).

The I210 controls accesses to the Flash when it decodes a valid access. Attempts to out-of-range write access the PCIe Expansion/Option ROM module (beyond the provisioned 512 KB) is silently ignored, while read access might return any value. The same is done for out-of-range accesses to the host memory BAR.

- Notes:** The I210 supports four byte writes to the Flash. Byte Enable (BE) pins can be set in a consecutive way (starting from 0) for writing less than four bytes.
- Flash read accesses are assembled by the I210 each time the access is greater than a byte-wide access.
- Flash read access times is in the order of 2 μ s (depending on Flash specification). The device continues to issue retry accesses during this time.
- Flash write access times can be in the order of 2 μ s to 200 μ s (depending on Flash specification). Following a write access to the Flash, software should avoid initiating any read or write access to the device until the Flash write access completes.

While in the non-secure mode, Flash BAR access while FLA.FL_REQ is asserted (and granted) is forbidden. It can lead to a PCIe hang as a bit-banging access requires several PCIe accesses. [Figure 3-4](#) and [Figure 3-5](#) show the BARs mapping schemes according to the size of the BAR vs. the Flash memory sizes supported.

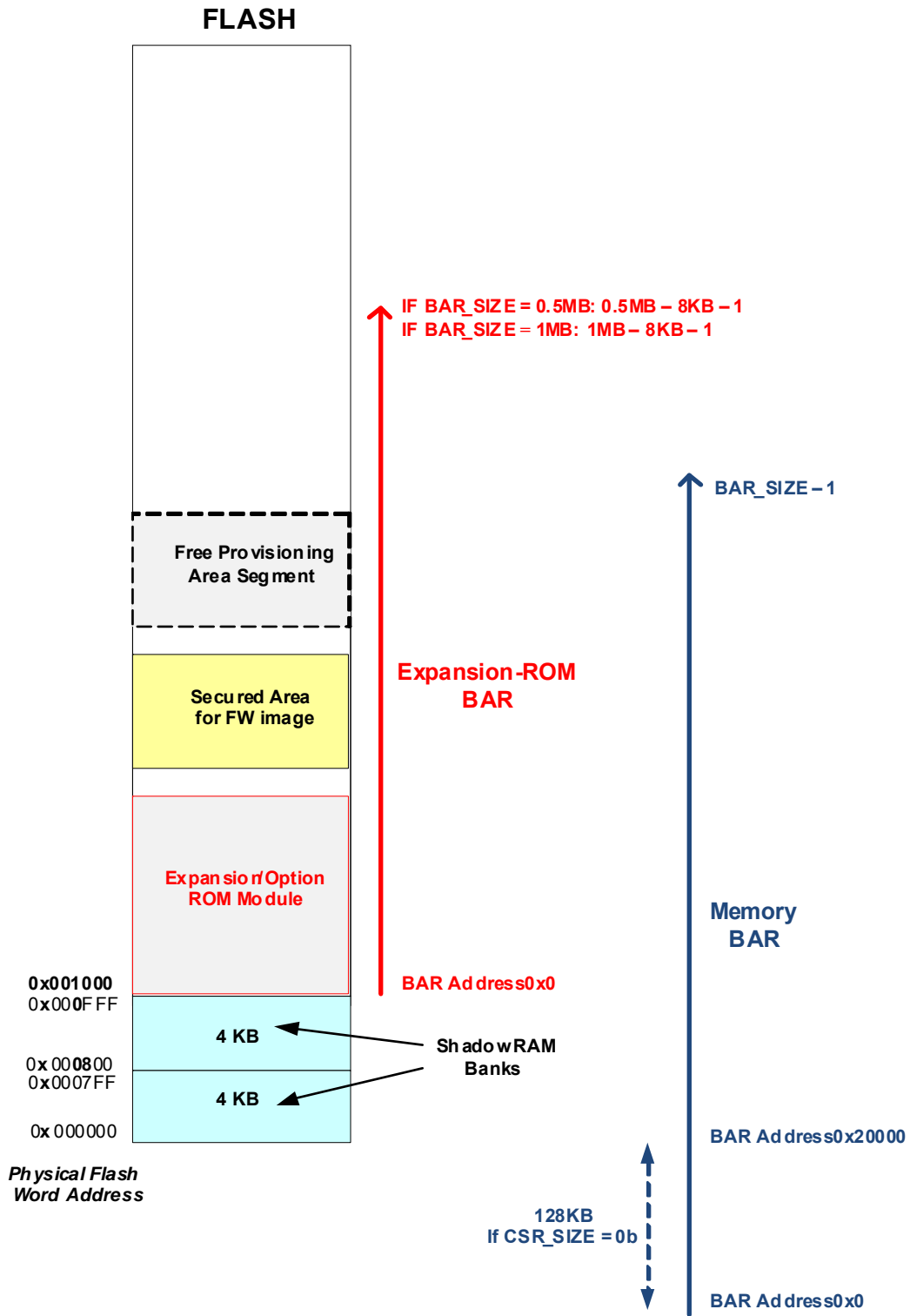


Figure 3-4. Flash Part Size is Larger Than BAR Size

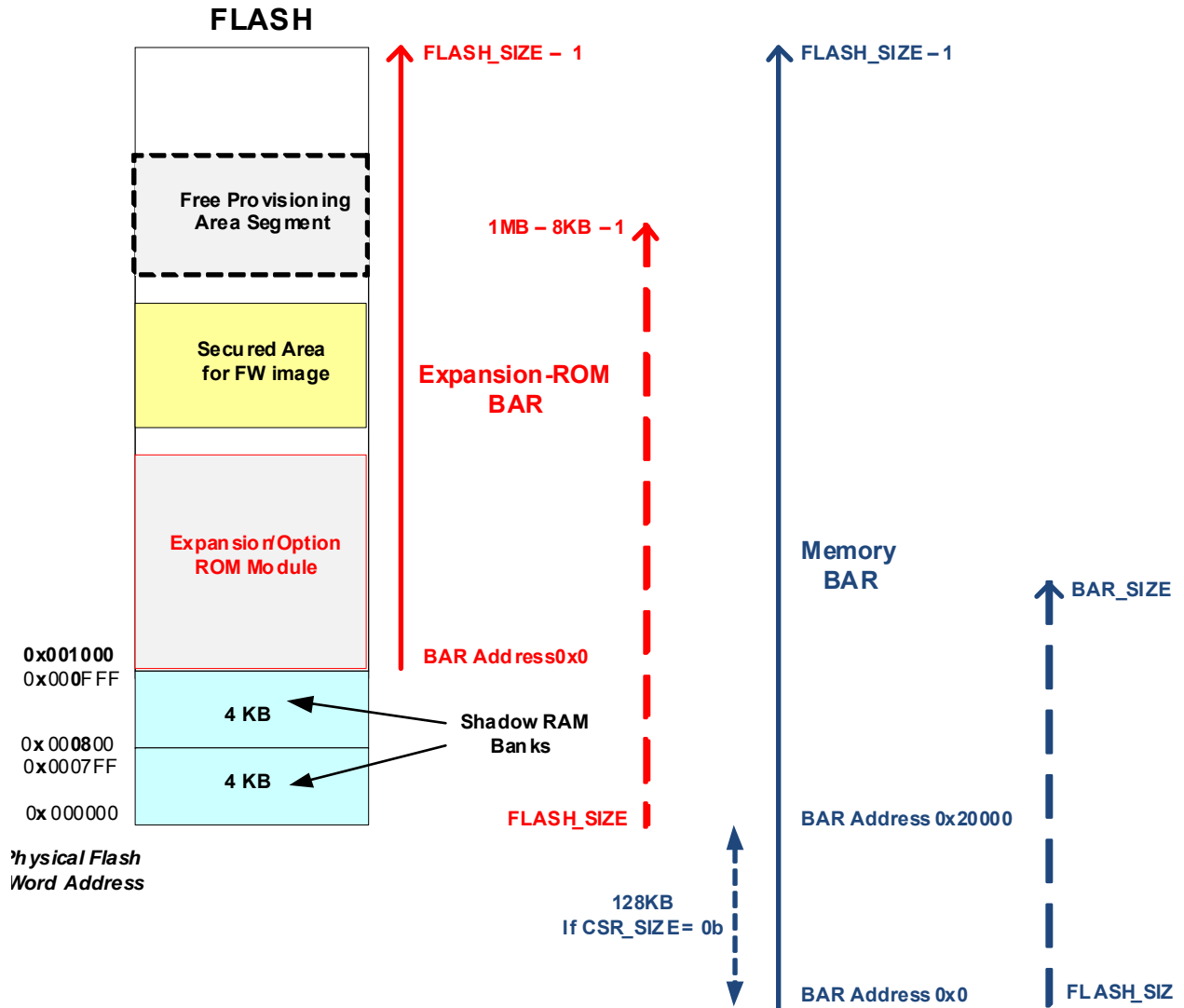


Figure 3-5. Flash Part Size is Smaller Than BAR Size

3.3.3.2 Management Controller (MC) Interface

The MC can issue NC-SI commands that require read/write access to some Flash and/or shadow RAM words.

3.3.4 Flash Access Contention

The I210 firmware is constantly running from the Flash. Any read or write access to the Flash made by software must be preceded by acquiring ownership over the Flash semaphore (refer to [Section 4.6.1](#)). This is also useful to avoid the timeout of the PCIe transaction made to a memory mapped Flash address while the Flash is currently busy with a long sector erase operation.



Two software entities cannot use the semaphore mechanism: BIOS and VPD software.

- Since VPD software accesses only the VPD module, which is located in the first valid sector of the Flash, VPD accesses are always performed against the shadow RAM first. In this case, firmware must take/release ownership over the Flash before dumping the VPD changes into the Flash, as if it was the originator of the Flash access. Shadow RAM dump sequence is described in [Section 3.3.2](#).
- No contention can occur between BIOS and any other software entity (VPD included) as it accesses the Flash while the operating system is down.
- Contention between BIOS and firmware can however happen if a system reboot occurs while the MC is accessing the Flash.
 - If a system reboot is caused by a user pressing the Standby button, it is required to route the wake-up signal from the Standby button to the MC and not to the chipset. The MC issues a system reboot signal to the chipset only after the Flash write access completes. Firmware is responsible to poll whether the Flash write has completed before sending the response to the MC NC-SI command.
 - If a system reboot is issued by a local user on the host, there is no technical way to avoid Flash access contention between BIOS and the MC.

Caution: It is the user's responsibility when accessing the Flash remotely via the MC to make sure another user is not currently initiating a local host reboot there.

Notes:

The MAC auto-load from the Flash device itself occurs only after power-up and before host or firmware can attempt to access the Flash. The host must wait until PCIe reset is de-asserted (after ~1 sec, which is enough time for the MAC auto-load to complete).

Software and firmware should avoid holding Flash ownership (via the dedicated semaphore bit) for more than 2 seconds.

Software erase command can be suspended by firmware until it handles its current tasks and/or it loads its cache.

3.3.4.1 Arbitration Between Flash Clients

The following lists the relative priority by which the hardware must serve the different Flash clients, whether the access is performed against the internal shadow RAM or into the Flash device:

1. **Hardware auto-load** - no semaphore taking.
 Pointer to an hardware module must first be invalidated (set to 0xFFFF) by the host/MC before modifying the module by a sequence of related changes. A sequence of related changes is a sequence of Flash writes that if interrupted in the middle would leave the hardware module with non-consistent contents. There is still a risk of inconsistent Flash header words being loaded by hardware if the auto-load process occurs in the middle of a write sequence performed over the Flash header. This risk exists in all previous 1 GbE controllers.
2. **Hardware cache read** for the firmware - no semaphore taking.
 This access is served by hardware with a 10:1 ratio relatively to the accesses that follow. The tens of cache read accesses (8-byte Flash read each) that might be performed before a memory mapped Flash access is served (see Steps 4 and 6) should not cause a timeout of the PCIe transaction.
 Cache reads can be delayed by the maximum time duration (300 ms) of a previous erase command, which was issued by firmware to hardware. Before issuing any sector erase command to hardware, firmware must complete all its pending tasks and must load from Flash the code pieces required to manage while the Flash is busy for erasing:
 - a. For instance, NC-SI commands received are completed with the Package Not Ready status. The MC must retry after 500 ms the commands that were completed with a Package Not Ready status. SMBus transactions are handled in a similar way. Refer to [Section 3.3.4.2](#) for the complete list.



- b. Offloads performed by firmware waits until the cache read resumes before being handled by firmware. Alternatively, before issuing an Erase command to hardware, firmware initiates some offload tasks that would timeout otherwise.
- c. Host interface commands can wait for 500 ms before being completed by firmware.
- 3. Software or firmware read is performed by hardware in a round robin manner between:
 - a. Software reads via BAR or CSRs - Software other than BIOS must take a semaphore (even for reads).
 - b. Firmware reads via CSRs - no semaphore taking. Firmware is also performing the shadow RAM reads required for a VPD read.
- 4. Firmware erase/write for VPD and the MC, before performing a shadow RAM dump into the Flash, or for its own needs (such as for replacing factory defaults), firmware must take the semaphore here.
- 5. Software erase/write via BAR or CSRs - Software must take a semaphore.
 - a. If the access is performed against the Flash, software must release the semaphore after it has checked the Flash is not busy by the last erase operation performed.
 - b. If the access is performed against the shadow RAM, software must release the semaphore once it has asked firmware to dump the shadow RAM in the Flash by setting the *FLUPD* bit.
- 6. Bit-banging access - no semaphore taking.
 This access is provided to software only when in non-secure mode. Firmware access via the bit-banging interface might lead to a dead lock if the firmware code required to complete the bit-banging is not entirely in the firmware cache before starting the access.

3.3.4.2 Firmware Responses When Flash Unavailable

Table 3-14 is organized according to the different events that might occur while the Flash is temporarily not available (like busy with a pervious Flash erase operation). It defines the expected responses for each case, assuming the firmware code, which is responsible to properly handle the event cannot be read from the Flash.

Table 3-14. Events/Responses When Flash is Unavailable

| Event | Response | Comment |
|--------------------------------------|---|---|
| NetProxy packet received | Ignored | Packets or timeouts are processed right after Flash access is recovered. |
| MCTP packet received | A response with ERROR_NOT_READY (0x04) completion code is returned. | |
| SMBus read transaction | Not ready command replied | |
| SMBus write transaction | Byte count word is NACKed | However, the address and the command are acknowledged. |
| PCIe to SMBus switching in MCTP mode | Ignored | |
| SMBus to PCIe switching in MCTP mode | Ignored | |
| NC-SI packet received | Command completed with Package Not Ready error code. | Command validity checks are not performed. Packets received do not increment the NC-SI statistics counters. Note: The command is answered even if the package was previously un-selected. |



| Event | Response | Comment |
|--|--------------------------------|---|
| Any event that requires issuing an AEN | Ignored | All relevant events are processed right after Flash access is recovered. |
| Command received in the host interface | Ignored | Commands are processed right after Flash access is recovered. |
| SMBus ARP offload | SMBus ARP offload is performed | New SMBus addresses are written to the Flash right after Flash access is recovered. |
| VPD write command received | Ignored | The VPD write is processed (and F bit set) right after Flash access is recovered. |

3.3.5 Flash Read, Write, and Erase Sequences

Note: This section describes the low-level Flash procedures handled between software, firmware, and hardware. The high-level Flash flows are built using these procedures, and include the semaphore taking/releasing and other high level tasks. Refer to [Section 3.3.11](#). Each time programming the NVM via CSR accesses, PCIEMISC.DMA Idle Indication bit must be set to 1b.

3.3.5.1 Flash Erase Flow by Software

In this section, software uses FLSW* registers.

Device Erase Flow:

1. Poll the FLSWCTL.DONE bit until it is set.
2. Set FLSWCTL.CMD fields to 0011b.
3. Wait until FLSWCTL.DONE bit is read as 1b and FLSWCTL.FLBUSY bit is read as 0b before releasing the Flash semaphore.

Hardware sets the *DONE* bit without executing the operation if software attempts this command while in Flash secure mode. The *CMDV* field is cleared in such case.

Sector Erase Flow:

1. Poll the FLSWCTL.DONE bit until it is set.
2. Set FLSWCTL.CMD field to 0010b and set the FLSWCTL.ADDR field to any address that belongs to the Flash 4 KB sector to be erased.
3. Wait until the FLSWCTL.DONE bit is read as 1b and the FLSWCTL.FLBUSY bit is read as 0b before releasing the Flash semaphore.

Hardware sets the *DONE* bit without executing the operation if software attempts to erase a protected sector while in Flash secure mode. The *CMDV* field is cleared in such case.

3.3.5.2 Software Flow to the Bit-banging Interface

This section is relevant to software only while in the non-secure mode.

To directly access the Flash, software should follow these steps:

1. Write a 1b to the *Flash Request* bit (FLA.FL_REQ).
2. Read the *Flash Grant* bit (FLA.FL_GNT) until it becomes 1b. It remains 0b as long as there are other accesses to the Flash.
3. Write or read the Flash using the direct access to the 4-wire interface as defined in the FLA register. The exact protocol used depends on the Flash placed on the board and can be found in the appropriate datasheet.



4. Write a 0b to the *Flash Request* bit (FLA.FL_REQ).
5. Following a write or erase instruction, software should clear the *Request* bit only after it has checked that the cycles were completed by the Flash. This can be checked by reading the *BUSY* bit in the Flash device Status register. Refer to Flash datasheet for the OpCode to be used for reading the Status register.

Notes: The bit-banging interface is not expected to be used during normal operation. Software should instead use the EEPROM-mode when accessing the base sector and the Flash-mode for other sectors.

If software must use the bit-banging interface in normal operation, it should adhere to the following rules:

- Gain access first to the Flash using the firmware/software semaphore mechanism.
- Minimize the FLA.FL_REQ setting for a single byte/word/Dword access or other method that guarantee fast enough release of the FLA.FL_REQ.

When hardware Flash bit-bang access is aborted due to deadlock avoidance, the *FLA.FLA_ABORT* bit is set. To clear the block condition and enable further access to the Flash, software should write 1b to the *FLA.FLA_CLR_ERR* bit.

3.3.5.3 Software Word Program Flow to the EEPROM-Mode Interface

Software must take semaphore ownership before executing these flows.

3.3.5.3.1 Read Interface

Software initiates a read cycle to the Flash via the EEPROM-mode as follows:

1. Software writes the address to be read in the EERD register
2. Software polls the EERD.DONE bit until it is asserted.
3. Software reads the EERD.DATA register field.

Hardware executes the following steps:

1. Eventually clears the *CMDV* bit if the command cannot be currently executed, and goes to step 4.
2. Reads the data from the shadow RAM.
3. Puts the data in *DATA* field of the EERD register.
4. Sets the *DONE* bit in the EERD register.

Note: Any word read this way is not loaded into the I210's internal registers. This happens only at a hardware auto-load event.

3.3.5.3.2 Write Interface

Software initiates a write cycle to the Flash via the EEPROM-mode as follows:

1. Poll the *DONE* bit in the EEWR register until it is set.
2. Write the data word and its address in the EEWR register.

As a response, hardware executes the following steps:

1. Eventually clears the *CMDV* bit if the command cannot be currently executed, and goes to step 3.
2. The I210 writes the data to the shadow RAM.
3. The I210 sets the *DONE* bit in the EEWR register.



Notes: The VPD area of the Flash can be accessed only via the PCIe VPD capability structure. EEPROM-mode writes are performed into the internal shadow RAM. Software can instruct copying of the internal shadow RAM content into the base sector of the Flash device by setting the EEC.FLUPD bit.

3.3.5.4 Flash Program Flow via the Memory Mapped Interface

Software must take semaphore ownership before executing the flow. Software initiates a write cycle via the Flash BAR as follows:

1. Write the data byte to the Flash through the Flash BAR. Use the Byte Enable (BE) pins if less than four bytes has to be written.
2. Poll the FL_BAR_BUSY flag in the FLA register until cleared.
3. Repeat the steps 1 and 2 if multiple bytes should be programmed.

As a response, hardware executes the following steps for each write access:

1. Set the FL_BAR_BUSY bit in the FLA register.
2. Initiate autonomous write enable instruction.
3. Initiate the program instruction right after the enable instruction.
4. Poll the Flash status until programming completes.
5. Clear the FL_BAR_BUSY bit in the FLA register.

Note: Software must erase the sector prior to programming it.

3.3.5.5 Software Flash Program Flow via the Flash-Mode Interface

Software must take semaphore ownership before executing the flow.

1. Poll the FLSWCTL.DONE bit until it is set. This step is only needed if the flow is executed following a reset event.
2. Write the number of bytes to be written into FLSWCNT.CNT field. The write must not cross a page (256 byte) boundary.
3. Set the ADDR field with the byte resolution address in the FLSWCTL register and set the CMD field to 0001b.
4. Write the data to the FLSWDATA register.
5. Hardware starts accessing the Flash and begins writing data bits from the FLSWDATA register. If the write is not allowed, the CMDV bit is cleared instead.
6. Once hardware completes writing the data to the Flash, the FLSWCTL.DONE register bit is set.
7. Hardware increments FLSWCTL.ADDR field by four (Dword granularity) if byte count left is greater or equal to 4.
8. Software polls the FLSWCTL.DONE bit until it is set.
9. Steps 4 to 8 are repeated several times until the number of bytes programmed in FLSWCNT.CNT field has been written.
10. FLSWCTL.GLDONE bit is set by hardware when the last byte programmed has been written. But software can stop the transaction in the middle as long as it got the DONE bit read as 1b. In any case, the FLBUSY bit must be read as 0b before releasing the Flash semaphore.

3.3.5.6 Software Flash Read Flow via the Flash-Mode Interface

The I210 provides an engine for reading the Flash in a burst mode:



1. Poll the FLSWCTL.DONE bit until it is set. This step is only needed if the flow is executed following a reset event.
2. Set the FLSWCNT.CNT field with the number of bytes to be read from Flash in a burst mode.
3. Set the FLSWCTL.ADDR field with the byte address of the first Dword to be read and set the *CMD* field to 0000b. The FLSWCTL.GLDONE bit is cleared by hardware to indicate a burst read has started.
4. Hardware starts accessing the Flash and clears the FLSWCTL.DONE bit until it writes the read Dword into the FLSWDATA register.
5. Software polls the FLSWCTL.DONE bit until it is set.
6. Software reads the Dword from FLSWDATA register, which is used by hardware to trigger a clear of the FLSWCTL.DONE bit again.
7. Hardware increments FLSWCTL.ADDR field by four (Dword granularity) if byte count left is greater or equal to 4.
8. Steps 5 to 7 are repeated until the number of bytes programmed in FLSWCNT.CNT has been read.
9. Hardware sets the FLSWCTL.GLDONE bit to indicate that all the Flash transactions related to the command issued at step 3 were completed. However, software can stop the transaction in the middle as long as it got the *DONE* bit set.

3.3.6 Flash Validity Field

The only way the I210 can tell if a Flash is present and programmed is by trying to read the Flash *Validity* field at Flash word addresses 0x012 and 0x812. If one of the *Validity* fields is read as 01b, a programmed lash is assumed to be present.

3.3.7 Flash Deadlock Avoidance

The Flash is a shared resource between the following clients:

1. Hardware auto-read.
2. LAN software accesses.
3. Manageability accesses.
4. Software tools.

All clients can access the Flash using parallel access, on which hardware implements the actual access to the Flash. Hardware schedules these accesses, avoiding starvation of any client.

However, the software and firmware clients can access the Flash using bit-banging. In this case, there is a request/grant mechanism that locks the Flash to the exclusive use of one client. If one client is stuck without releasing the lock, the other clients can no longer access the Flash. To avoid this deadlock, the I210 implements a timeout mechanism, which releases the grant from a client that holds the Flash bit-bang interface (FLA.FL_SCK bit) for more than 8 seconds. If any client fails to release the Flash interface, hardware clears its grant enabling the other clients to use the interface.

Note: The bit-banging interface does not guarantee fairness between the clients, therefore it should be avoided in normal operation as much as possible. When write accesses to the Flash are required the software or manageability should access the Flash one word at a time releasing the interface after each word. Software and firmware should avoid holding the Flash bit-bang interface for more than 500 ms.

The deadlock timeout mechanism is enabled by the *Deadlock Timeout Enable* bit in the Control Word 1 in the Flash.



3.3.8 VPD Support

The Flash can contain an area for VPD. This area is managed by the OEM vendor and does not influence the behavior of hardware. Word 0x2F of the Flash contains a pointer to the VPD area in the Flash. It is recommended to map the VPD area into the RO area of the shadow RAM. Word 0x0A contains the Flash VPD_EN bit, which controls whether or not the VPD capability appears in the configuration space following the next PCI reset event. The VPD_EN bit must be set to 1b only once a valid VPD structure is programmed in the Flash.

The maximum area size is 1024 bytes but can be smaller. The VPD block is built from a list of resources. A resource can be either large or small. The structure of these resources are listed in the following tables.

Table 3.15. Small Resource Structure

| | | |
|----------------|---|-------|
| Offset | 0 | 1 – n |
| Content | Tag = 0xxx,xyyyb (Type = Small(0), Item Name = xxxx, length = yy bytes) | Data |

Table 3.16. Large Resource Structure

| | | | |
|----------------|--|--------|-------|
| Offset | 0 | 1 – 2 | 3 – n |
| Content | Tag = 1xxx,xxxxb (Type = Large(1), Item Name = xxxxxxxx) | Length | Data |

The I210 firmware parses the VPD structure during the auto-load process following PCIe reset in order to detect the read only and read/write area boundaries. The I210 assumes the following VPD fields with the limitations listed:

Table 3.17. VPD Structure

| Tag | Length (bytes) | Data | Resource description |
|------|-----------------------------|------------|--|
| 0x82 | Length of identifier string | Identifier | Identifier string. |
| 0x90 | Length of RO area | RO data | VPD-R list containing one or more VPD keywords. |
| 0x91 | Length of RW area | RW data | VPD-W list containing one or more VPD keywords. This part is optional. |
| 0x78 | n/a | n/a | End tag. |

VPD structure limitations:

- The structure must start with a Tag = 0x82.
- The structure must end with a Tag = 0x78. The tag must be word aligned.
- If the I210 does not detect a value of 0x82 in the first byte of the VPD area or if no End tag is detected, or if the structure does not follow the description of [Table 3.17](#), it assumes the area is not programmed:
 - Any read/write access through the VPD registers set are ignored.
 - The VPD pointer itself remains RO.



- The VPD RO area and RW area are both optional and can appear in any order. A single area is supported per tag type. Refer to Appendix I in the PCI 3.0 specification for details of the different tags.
- If a VPD-W tag is found, the area defined by its size is writable via the VPD structure.
- The VPD must be accessed through the PCIe configuration space VPD capability structure listed in [Table 3.17](#). Write accesses to a read only area or any accesses outside of the VPD area via this structure are ignored. The VPD area is also accessible for read via the EEPROM-mode access, and for write via the same access mode - only if the VPD area is mapped to a RW area of the shadow RAM (not recommended).
- VPD area must be mapped to the first valid 4 KB sector of the Flash.

VPD software does not check the semaphores before attempting to access the Flash via dedicated VPD registers. Even if the Flash is owned by another entity, VPD software read or write access directed to the VPD area might complete immediately since it is first performed against the shadow RAM. Firmware is responsible for handling the VPD read and write accesses against the host. Hardware notifies firmware each time a VPD access was initiated. However, VPD software write access is written into the Flash device at the firmware's initiative, which might take up to several seconds. Refer to [Section 3.3.9.3](#).

3.3.9 Flash Structure and Update Flows

3.3.9.1 Flash Organization

The I210 Flash contains the following three high-level modules:

- **Legacy EEPROM Modules.** These modules correspond to the legacy EEPROM contents, they are mapped to one of the first two 4 KB sectors of the Flash device, and cannot be extended beyond these sectors. They are composed of all the Flash modules used by the hardware (such as PCIe down to MAC blocks, PHYs excluded) or ones used by the manageability firmware. In prevision to the RO Updates structure 3 (refer to [Section 6.9.2.2](#)), the last 4 words of the shadow RAM must always be left unused, filled with all 1s contents.
- **Expansion/Option ROM Module.** Must fit within 512 KB and shall start at the fixed word address 0x1000. It includes the PXE driver (61 KB), iSCSI boot image (116 KB), FCoE boot image (80 KB), UEFI network driver (37 KB for x64, 67 KB for IA64), and can also include a CLP module (60 KB). Refer to [Section 3.3.3.1](#).
- **Secured Area (Firmware Secured Module).** Must fit within 244 KB (or 448 KB) and start at a 4 KB boundary. It is mainly destined to store firmware code, but it can also include other firmware structures and modules. It is pointed from the Flash word address 0x10, in either sector 0 or 1.
- **Free Provisioning Area.** This area is 244 KB (or 448 KB) in size. Following a firmware update event, it becomes the new secured area and the old secured area becomes the new free provisioning area. It is pointed from the NVM word address 0x40, in either sector 0 or 1.
- **mDNS Records.** This module contains the mDNS records used by the firmware for mDNS offload proxy while the system is in D3. The module must be mapped next to the secured area. The size provisioned for mDNS records is 16 KB. The module's offset from the beginning of the secured area is given by NVM word 0x25, in either sector 0 or 1.

Notes: Flash device size can be read by host from FLA.FL_SIZE register field.

Update of the PCIe Expansion/Option ROM does not need to be protected by the double image policy as it is not as critical to the I210 operation as the firmware image module.

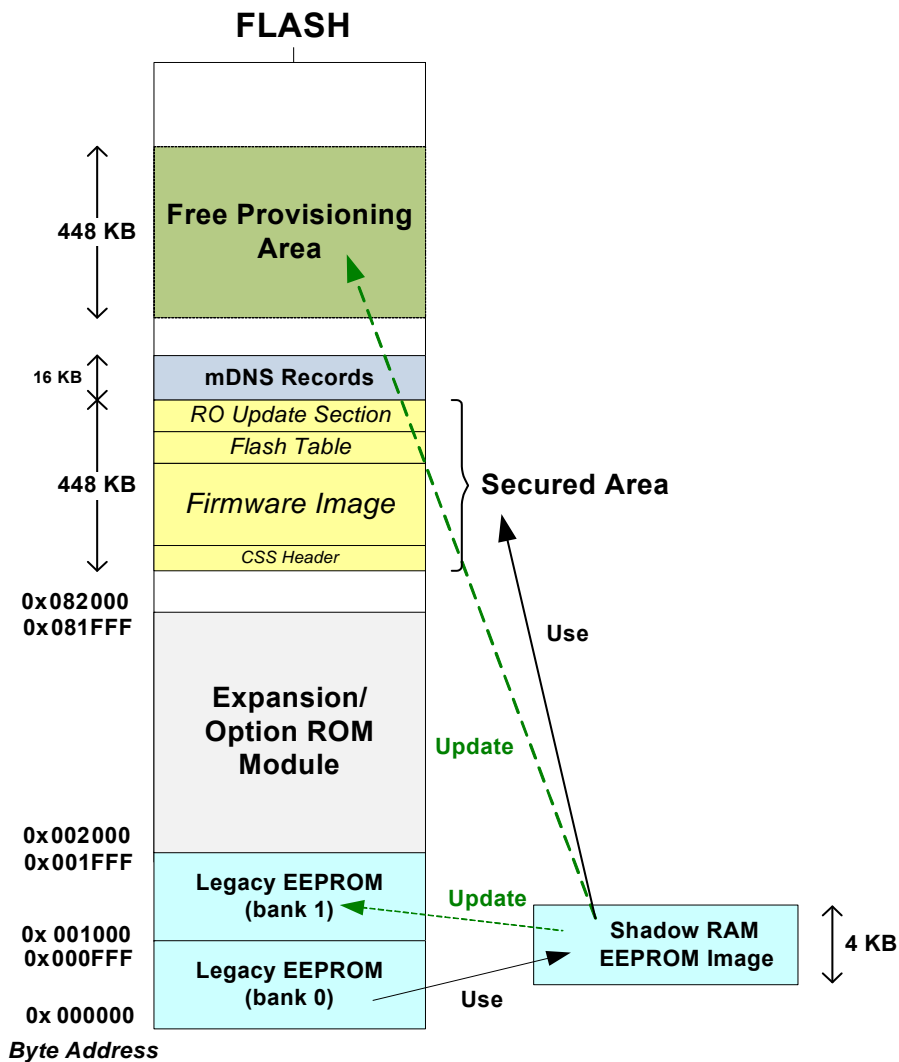


Figure 3.6. General Organization of the Flash

Notes: Figure 3.6 shows the general NVM organization. Due to this, both the secured and free provisioning areas of the firmware, are not mapped to any Flash address in the diagram. On Flash parts larger than 1 MB, the space from byte address 0x002000 to 0x081FFF is always reserved to the Expansion/Option ROM module.

The first NVM images produced will fit in 0.5 MB Flash parts (assuming no expansion/option ROM module). The firmware image and free provisioning area is sized by 244 KB (or 448 KB) each. The mDNS records might overlap with the beginning of the free provisioning area. In this case, the firmware code itself has a size budget of up of to 235 KB.

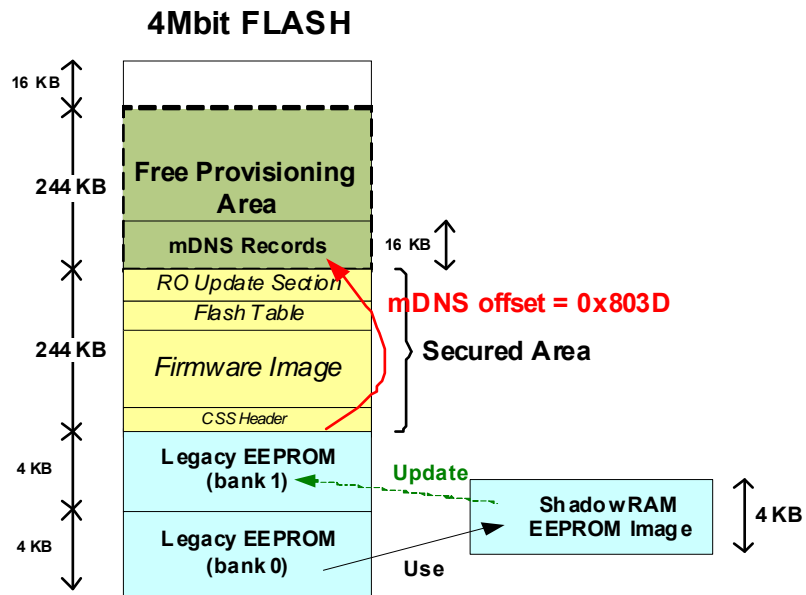


Figure 3-7. Organization of the NVM That Supports 0.5 MB Flash Parts

3.3.9.2 Flow for Updating the Firmware Secured Module

In order to protect the Flash update procedure from power-down events, a double image policy is required each time the firmware code is updated. The software should proceed as follows:

1. Take ownership over the Flash via the semaphore bits. Refer to [Section 4.6](#).
2. Read the pointer to the Firmware Secured Module (word 0x10), which is the current location of the module, and read the pointer to the free provisioning area (word 0x40). Exactly 244 KB (or 448 KB) must be provided to the free space provisioning area segment, even if the enclosed firmware code size is smaller. Check that the free provisioning area size read from word 0x41 is greater or equal to the size of the new firmware image to be loaded in NVM.
 - a. If not, exit the flow. It is assumed that the Intel person responsible for the update first updates the free area pointer and size fields so that they define a larger free area.
3. Initiate sector erase instructions to the entire free space provisioning segment.
 - a. In order to guaranty Flash semaphore ownership time does not exceed the 3 sec timeout, it is recommended to perform at this step no more than four 4 KB sector erase operations at once in a burst, releasing semaphore ownership for 10 ms in between. This way, other entities can insert Flash read accesses in between burst without waiting for completion of the entire update process, which might take minutes.
4. Write the new firmware secured module at the location pointed by the free space provisioning segment pointer via Flash-mode access (memory mapped or FLSW* register set).
 - a. For the same reason as before, it is recommended to write at this step no more than four 4 KB sectors at once in a burst, releasing semaphore ownership for 10 ms in between.
5. Write the FLFWUPDATE.Update bit to 1b.
6. Release the Flash semaphore.



- a. Software must avoid taking the Flash semaphore again until the firmware resets and reloads from the new image. Any new attempt to write the Flash until then is not performed by the device.
7. If the NVM_SEC_EN bit is read as 0b (bit 13 in Flash word 0x12) or if the security-disable strapping pin is set, then firmware enters the device in the non-secured mode.
8. Firmware swaps between the Free Provisioning Area Pointer (word 0x40) and the Firmware Secured Module pointer located at the shadow RAM word address 0x10, and updates the SW Checksum at word 0x3F. Firmware dumps the shadow RAM into the Flash. Software polls the FLOWUPDATE.AUTH-DONE bit until it is read as 1b.
 - a. If FLOWUPDATE.AUTH_FAIL bit is read as 1b, it means that the update process failed because of one of the security checks has failed or because of some defect in the Flash write. In such case software exits the flow and might decide to rerun it from the beginning.

Note: The device may not reply to requests from the MC during the firmware update process, which can last up to 3 seconds.

3.3.9.3 VPD Write Flows

3.3.9.3.1 First VPD Area Programming

The VPD capability is exposed on the PCIe interface only if the VPD_EN bit in Flash word 0x0A is set to 1b, regardless of any other sanity check that is performed on the VPD area contents.

The VPD contents and pointer can be written on a blank Flash without any limitation, similar to any other Flash module when in the blank Flash programming mode. This is the recommended way to map the VPD area into the RO protected area of the shadow RAM, which is highly advised.

3.3.9.3.2 VPD Area Update Flow

1. The host performs a VPD write - it sets write offset/data into VPD register set of the configuration space, setting the VPD Flag (bit 15 in VPD Address Register - 0x0E2).
2. Firmware checks the VPD write is allowed - it checks that the write offset points to the VPD-RW area and not to the RO area of the shadow RAM and nor to the VPD-RO area.
 - a. If it is not, firmware clears the VPD flag in the configuration space to notify the VPD software that the transaction completed, and exits the flow.
3. Firmware takes Flash semaphore ownership.
4. Firmware re-starts the 10 ms VPD timer and writes the change into shadow RAM.
5. Firmware completes the VPD access to software - firmware clears the VPD flag in the configuration space to notify the VPD software that the access completed.
6. Firmware releases Flash semaphore ownership.
7. When the VPD timer expires, firmware dumps the shadow RAM into the Flash.

If VPD write access is attempted by the host when the device has just started a Flash erase operation, or if Flash ownership is held by software for a long time, then the VPD write request might time out as the firmware code responsible to handle the request would not be readable from the Flash. As a result, Intel recommends that a software application that modifies the VPD area perform back-to-back VPD write accesses within no longer than 10 ms between two consecutive writes.



3.3.9.4 Flow for Updating One of the RW Legacy EEPROM Modules

When updating one or several fields from a legacy EEPROM module there is a risk that a hardware auto-load event occurs in the middle of the operation (due to a sudden PCIe reset for instance), leading to the auto-load of an invalid or inconsistent content from the internal shadow RAM into the device registers or memory. Therefore unless the field(s) can be updated by a single EEPROM-mode access, the updating software must repeatedly use the following procedure for each legacy EEPROM module to be updated:

1. Take ownership over the Flash via semaphore bits. Refer to [Section 4.6](#).
2. Invalidate the pointer to the module to be modified by setting it to 0xFFFF via EEPROM-mode access. This way, if a hardware auto-load of the module is attempted, the associated register defaults are loaded instead. Do not invalidate pointers to firmware modules.
3. Modify the contents of the module via EEPROM-mode access.
4. Restore the pointers to the modified module(s) via EEPROM-mode access.
5. Compute and update the software checksum (word 0x3F) if the contents covered by the software checksum was modified.
6. Release the Flash semaphore.
7. Set the *FLUPD* bit in EEC register to ask the device to load the internal shadow RAM into the Flash.
8. Firmware dumps the shadow RAM into the Flash.
9. Poll the *FLUDONE* bit in EEC register until it is set by the device.

Note: Depending on the modified RO items, a system reset is generally required for loading the modifications into the device. Refer to the Loading Trigger column in [Table 3-18](#).

3.3.9.5 Flow for Updating the Option ROM Module

Updating software should proceed as follows. If a power cycle occurs in the middle of the flow, the updating application must rerun the entire flow.

1. Take ownership over the Flash via the semaphore bits. Refer to [Section 4.6](#).
2. Initiate sector erase instructions to the fixed 512 KB area to which the Option ROM module is mapped.
 - a. In order to guaranty Flash semaphore ownership, time should not exceed the 3 second / 1 second timeout. It is recommended to perform at this step no more than four / two 4 KB sector erase operations at once in a burst, releasing semaphore ownership for 10 ms in between. This way, other entities can insert Flash read accesses in between a burst without waiting for the entire update process to complete, which may take several minutes.
3. Write the new Option ROM module contents at the same location it was before.
 - a. For the same reason as before, it is recommended to write at this step no more than four / two 4 KB sectors at once in a burst, releasing semaphore ownership for 10 ms in between.
4. Release the Flash semaphore.

3.3.10 Flash Security

The Flash update integrity feature ensures that only Intel approved firmware code (or another protected Flash module) is able to be updated on the I210 devices after manufacturing. This procedure is performed whenever attempting to update one of the protected modules. Refer to Flash update flows in [Section 3.3.9](#).



Integrity validation of Flash updates is provided by means of a digital signature. The digital signature is a SHA256 Hash computed over the protected content (long by 256-bits), which is then encrypted by a 2048-bits RSA encryption using an Intel private key. This digital signature is stored in what is called the manifest in the Flash module image. Also stored in the manifest is the corresponding RSA Modulus (the public key) and RSA Exponent parameters to be used for decrypting the digital signature.

To verify the authenticity of the digital signature, firmware must first verify that the RSA Modulus and RSA Exponent fields in the new firmware image loaded are identical to those in the old FW image. If the RSA Modulus and Exponent fields are the same, firmware decrypts the digital signature using the 2048-bit RSA Modulus and Exponent fields stored in the manifest of the old firmware image to extract the expected SHA256 Hash of content (stored hash). Firmware then performs an independent SHA256 Hash over the protected content (computed hash). If the stored hash matches the computed hash, the digital signature is accepted, and the Flash update is applied.

Flash updates are validated prior to invalidating the old Flash configuration, such that the old Flash configuration is still usable if the update fails to validate. After the new Flash is successfully verified, the firmware switches to the new image.

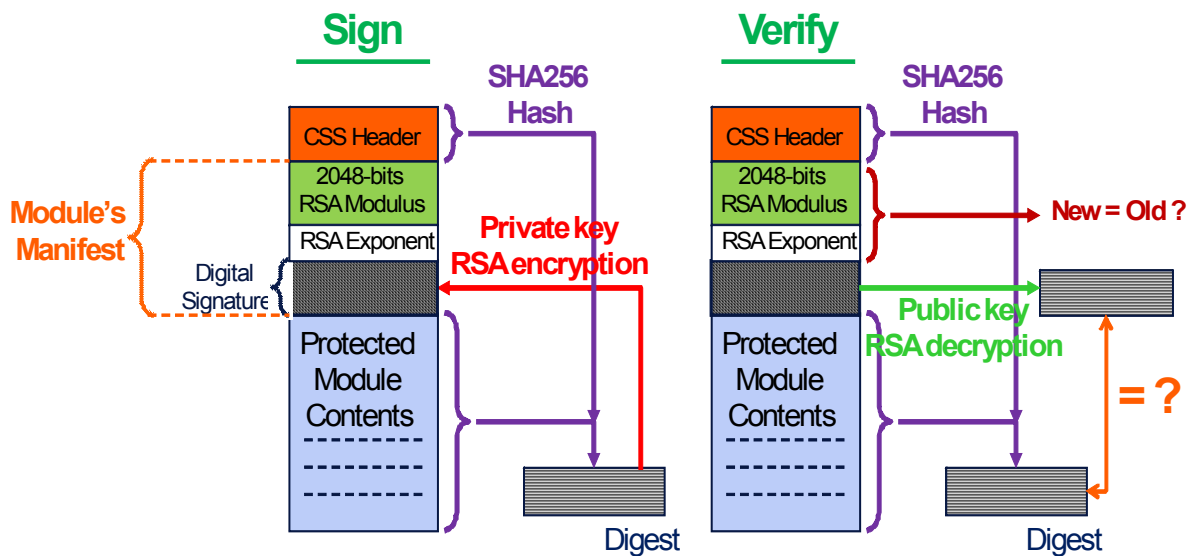


Figure 3-8. Sign and Verify Procedures for Authenticated Flash Modules

3.3.10.1 Digital Signature Algorithm Details

As previously mentioned, the digital signature generation is a hash computation followed by an RSA encryption. This is performed within Intel as part of the Flash update image generation process and not performed by Intel software in the field, nor by the I210.

The algorithms used are described in the following locations:

- PKCS #1 v2.1: RSA Cryptography Standard, RSA Laboratories, June 14, 2002 - www.rsa.com
- SHA family definition - http://csrc.nist.gov/publications/fips/fips180-3/fips180-3_final.pdf
- SHA usage with digital signatures - <http://csrc.nist.gov/publications/nistpubs/800-107/NIST-SP-800-107.pdf>
- SHA validation vectors - <http://csrc.nist.gov/groups/STM/cavp/documents/shs/SHAVS.pdf>



Note: The Protected Module Contents shown in [Figure 3-8](#) starts with the I210 blank Flash Device ID word of the Flash header described in [Section 6.9.1](#), and ends with the last word of the Firmware Secured Module - regardless to the size of the firmware code and to the presence and size of a Flash Devices Table and RO Updates sections at the last two sector of the Firmware Secured Module area.

3.3.10.2 Protected Modules

Any data that is modified in-the-field (either by the OEM during manufacturing, or by the end user) cannot be included in the signed region of Flash. The device is incapable of generating a signed image by itself because the private key is not available to the device to generate the digital signature in Flash.

Only the following Flash module requires authentication in the I210. The module includes its own digital signature: firmware image and its associated sub-modules.

3.3.11 Flash Init Flow

After a PCIe reset, the I210 reads the global device parameters from the shadow RAM (assuming it has a valid NVM Validity field contents) including all the parameters impacting the content of the PCIe configuration space. After a software reset to the port (*CTRL.RST* set to 1b), a partial load is done of the parameters relevant to the port where the software reset occurred.

[Table 3-18](#) lists the words read in each auto-load sequence. During full load after power-on all hardware related Flash words are loaded. Following a software reset, only a subset of the hardware related Flash words are loaded. For details of the content of each word, see [Chapter 6.0](#).

Table 3-18. Shadow RAM Auto-Load Sequence

| Flash Word Name | Flash Word Address | Loading Order | Full Load (Power-up) | Full Load No MGMT (PCI RST) | Software ¹ Reset Port Load |
|--|--------------------|---------------|----------------------|-----------------------------|---------------------------------------|
| Ethernet Address Byte 2-1 - LAN | 0x00 | 29 | Y | Y | Y |
| Ethernet Address Byte 4-3 - LAN | 0x01 | 30 | Y | Y | Y |
| Ethernet Address Byte 6-5 - LAN | 0x02 | 31 | Y | Y | Y |
| Init Control 1 | 0x0A | 4 | Y | Y | |
| Subsystem ID ² | 0x0B | 17 | Y | Y | |
| Subsystem Vendor ID ² | 0x0C | 18 | Y | Y | |
| Device ID - LAN ² | 0x0D | 19 | Y | Y | |
| Vendor ID - LAN ² | 0x0E | 20 | Y | Y | |
| Init Control 2 LAN | 0x0F | 28 | Y | Y | Y |
| Flash Device Size (FL_SIZE only) | 0x11 | 2 | Y | | |
| Flash Sizing and Protected Fields | 0x12 | 1 | Y | Y | Y |
| Init Control 4 LAN | 0x13 | 27 | Y | Y | Y |
| PCIe L1 Exit Latencies | 0x14 | 15 | Y | Y | |
| PCIe Completion Timeout Configuration | 0x15 | 16 | Y | Y | |
| MSI-X Configuration LAN | 0x16 | 21 | Y | Y | |
| Software Reset CSR Auto Configuration Pointer and Software Reset CSR Auto Configuration structures - LAN | 0x17 | 33 | Y | Y | Y |
| PCIe Init Configuration 1 | 0x18 | 5 | Y | Y | |
| PCIe Init Configuration 2 | 0x19 | 6 | Y | Y | |

**Table 3-18. Shadow RAM Auto-Load Sequence**

| Flash Word Name | Flash Word Address | Loading Order | Full Load (Power-up) | Full Load No MGMT (PCI RST) | Software ¹ Reset Port Load |
|---|--------------------|---------------|----------------------|-----------------------------|---------------------------------------|
| PCIe Init Configuration 3 | 0x1A | 7 | Y | Y | |
| PCIe Control 1 | 0x1B | 8 | Y | Y | |
| LEDCTL 1 Default LAN | 0x1C | 24 | Y | Y | |
| Device Rev ID | 0x1E | 14 | Y | Y | |
| LEDCTL 0 Default LAN | 0x1F | 25 | Y | Y | |
| Software Defined Pins Control - LAN | 0x20 | 32 | Y | Y | Y |
| Functions Control | 0x21 | 13 | Y | Y | |
| LAN Power Consumption | 0x22 | 22 | Y | Y | |
| PCIe Reset Configuration Pointer and PCIe Reset CSR Auto Configuration Structures - LAN | 0x23 | 26 | Y | Y | |
| Init Control 3 LAN | 0x24 | 23 | Y | Y | |
| CSR Auto Configuration Power-Up LAN | 0x27 | 3 | Y | | |
| PCIe Control 2 | 0x28 | 9 | Y | Y | |
| PCIe Control 3 | 0x29 | 10 | Y | Y | |
| Watchdog Configuration | 0x2E | 34 | Y | Y | Y |

1. After asserting *CTRL.DEV_RST* by software partial load of parameters relevant to the port is done. Assertion of *CTRL_EXT.EE_RST* causes load of port parameters similar to *CTRL_RST*.
2. Loaded only if load subsystem ID bit is set.

3.4 iNVM

The I210 can operate with no Flash attached (Flash-less mode). The I210 incorporates an on-die internal NVM (iNVM) memory (size 2 Kb) that enables designers to internally program the I210 with a subset of the default values that are normally associated with an external Flash. iNVM is similar to One Time Programmable (OTP) memory except that it allows for a limited number of modifications and corrections after initial programming. The iNVM has a capacity of 64 words, or 32 two-word CSR entries. A word, once used, cannot be rewritten. The initial programming will take a number of these, and each new entry takes additional words until the capacity is reached. For example, programming the MAC address consumes three auto-load word structures.

The last two words of the iNVM (62-63) are used for manufacturing identification information. Word 61 is written with version information when the iNVM is programmed using Intel tools. The contents of these words do not affect the operation of the device.

Refer to the note in [Section 1.4.3](#) for the functional limitation that exists when the I210 operates without an external Flash part.

This section describes the iNVM structure for the I210.

3.4.1 iNVM Contents

The iNVM memory is used there to store and program the default values that are otherwise programmed via auto-load from the external Flash memory. The list of programmable values includes the following (amongst others):

- MAC address - words 0x00, 0x01, 0x02



- Serial ID (for PCIe) is a derivative of MAC address.
- iNVM image revision - word 0x05
- Subsystem ID and Subsystem Vendor ID - words 0x0B, 0x0C
 - Needed only for NIC and for other vendors than Intel.
- Device ID - word 0x0D
 - Device ID: Use a separate device ID for the I211 running with a programmed iNVM (0x1539).
- Board Configuration (LEDs, SDPs, etc.) - words 0x1C, 0x1F, 0x20, 0x24
- LAN power consumption - word 0x22
- PHY/PCIe analog parameters. This information is loaded in the iNVM as it is determined based on the silicon's process state.
 - Other critical PCIe settings that are loaded only at power-up.
- Hardware init, workaround/bypass
 - Initialization Control word 1 - word 0x0A to:
 - set GPAR_EN bit to 1b (enable global parity check)
 - optionally set iNVM to 1b (see note in [Section 3.4.2.1](#))
 - Initialization Control Word 2 to set TX_LPI_EN bit - word 0x0F
 - Device Off Enable bit to 1b - word 0x1E
- PHY disconnect until the software device driver is up and running or WoL setup - words 0x24, 0x29
 - PHY disconnect is achieved by setting the *Go Link Disconnect* field (bit 5) in the PHPM register
- FLBAR_Size set to 0 - word 0x28

Not Supported in iNVM:

- Manageability and manageability parameters
- Pointers
- VPD
- Legacy Option ROM - PXE (PXE driver can reside in BIOS Flash), iSCSI boot (requires external Flash), etc.

3.4.2 iNVM Structures

The iNVM contains the following three structures:

1. Word auto-load (2 words)
2. CSR auto-load (4 words)
3. PHY register auto-load (2 words)

Each structure starts with a type field. When a non-null unknown type is encountered, the 32-bits are skipped by hardware as they might contain an item that is relevant to firmware or software.

When invalidating a structure, all its Type field bits should be set to 1b. That way, each time the device iNVM parser encounters a 111b type it can skip 32-bit words until the next non 111b type is detected.

[Table 3-19](#) lists the different iNVM structure types:



Table 3-19. iNVM Structure Types

| Type | Description |
|-------|--|
| 000b | Un-initialized iNVM Dword, stop iNVM parsing. |
| 001b | Word auto-load |
| 010b | CSR auto-load |
| 011b | PHY register auto-load |
| 100b | Reserved - do not use this value |
| 111b | Invalidated iNVM structure, skip the Dword (16-bits) |
| Other | Reserved for future use, skip the Dword (16-bits) |

Table 3-20 lists the iNVM value load condition as a function of the reset types. the reset type value should be the same as specified in the reset type value of the auto-load table.

Table 3-20. iNVM Structure Reset Types (for Auto-load)

| Reset Type | Description |
|------------|--|
| 00b | Load on Power-up (LAN_PWR_GOOD) reset |
| 10b | Load on PCIe reset and power-up reset |
| 01b | Reserved |
| 11b | Load on software reset, PCIe reset, and power-up reset |

3.4.2.1 Word Auto-load Structure

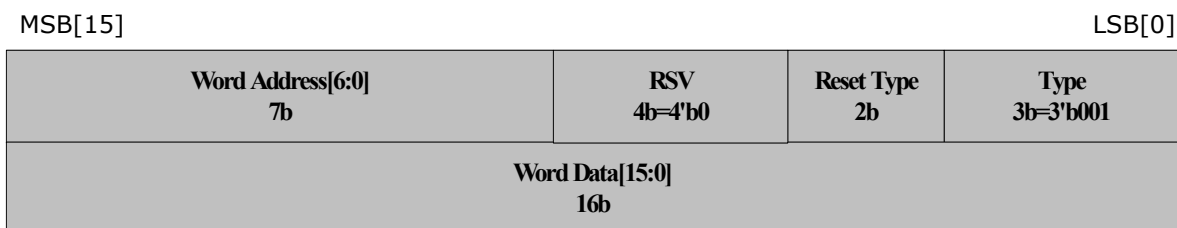


Figure 3-9. Word Auto-load Structure

3.4.2.1.1 iNVM Programmed Word Structures (Type 001b)

Table 3-21. iNVM Values

| Word Address | Word Data (16 bits) |
|--------------|---|
| 0x00 | Ethernet Address Low |
| 0x01 | Ethernet Address Mid |
| 0x02 | Ethernet Address High |
| 0x0A | Initialization Control Word 1 (Word 0x0A) - Section 6.2.2 |
| 0x0E | Vendor ID (Word 0x0E) - Section 6.2.6 |
| 0x0F | Initialization Control Word 2 (Offset 0x0F) - Section 6.2.7 |



Table 3-21. iNVM Values (Continued)

| Word Address | Word Data (16 bits) |
|--------------|---|
| 0x1B | PCIe Control 1 (Word 0x1B) - Section 6.2.17 |
| 0x1C | LED1 Configuration Defaults (Word 0x1C) - Section 6.2.18 |
| 0x1E | Device Rev ID (Word 0x1E) - Section 6.2.19 |
| 0x1F | LED0,2 Configuration Defaults (Word 0x1F) - Section 6.2.20 |
| 0x20 | Software Defined Pins Control (Word 0x20) - Section 6.2.21 |
| 0x21 | Functions Control (Word 0x21) - Section 6.2.22 |
| 0x22 | LAN Power Consumption (Word 0x22) - Section 6.2.23 |
| 0x24 | Initialization Control 3 (Word 0x24) - Section 6.2.24 |
| 0x29 | PCIe Control 3 (Word 0x29) - Section 6.2.26 |
| 0x28 | PCIe Control 2 (Word 0x28) - Section 6.2.25 |
| 0x2E | Watchdog Configuration (Word 0x2E) - Section 6.2.29 |
| 0x31 | Configuration Customization Options PCIe Function (Word 0x31) - Section 6.8.6.2 |

Note: In order to secure the iNVM memory (such as avoiding any further write to it after manufacturing), a word auto-load structure must be present in iNVM for setting the iNVM bit to 1b in word address 0x0A.

3.4.2.2 CSR Auto-load Structure

The CSR auto-load structure is defined as follows:

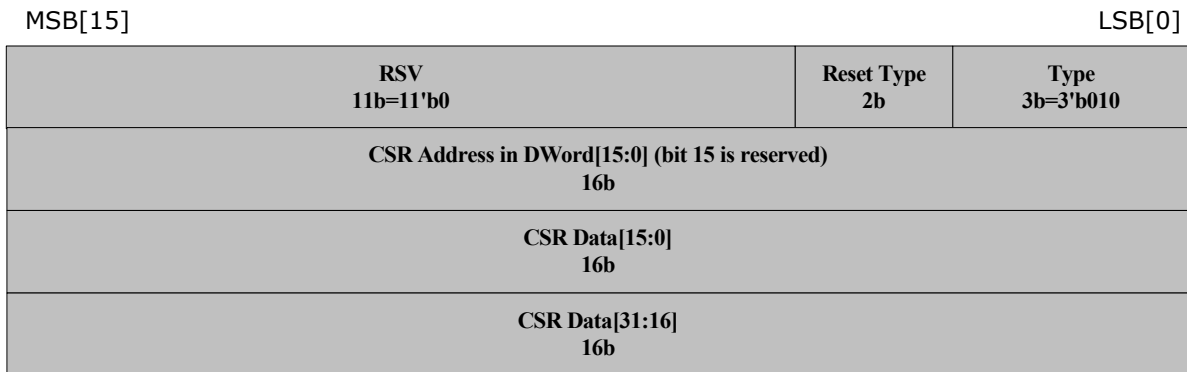


Figure 3-10. CSR Auto-load Structure

3.4.2.3 PHY Register Auto-load Structure

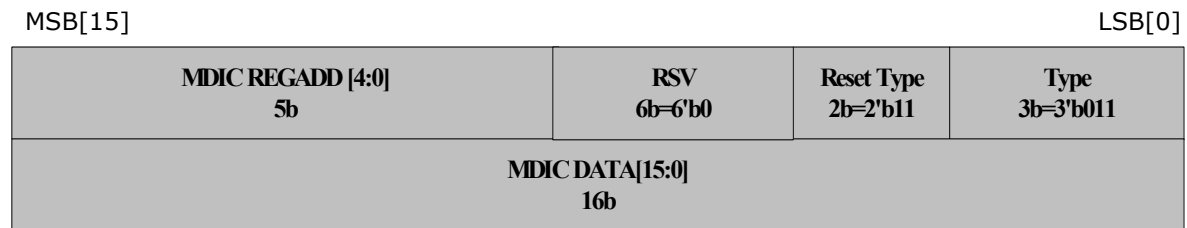


Figure 3-11. PHY Register Auto-load Structure



Once the structure is loaded to the PHY, the EEMNGCTL.CFG_DONE bit is set.

3.4.3 iNVM Programming Flows

iNVM can be programmed at several occasions and via different means:

1. At the chip manufacturing site (by Intel), via a special pin. It sets the critical PCIe settings required by the I210 to show up correctly on the PCIe bus with a default device ID.
2. At customer premises (by OEMs), via an Intel provided software tool, which uses a special register set. This tool enables customers to make some customization to the LEDs, device ID, ASPM, etc. and it sets the per-controller settings.
For security reasons, the I210 has a lock-out mechanism after the iNVM is programmed at this stage, to prevent any tampering/retry of the iNVM programming. It is activated by writing a special iNVM word auto-load structure, iNVM word address 0xA, bit 15 set to 1b. The lock-out is active as long as the SECURITY-EN strapping option is enabled.
3. By disabling the SECURITY_EN strapping option, the iNVM lines left blank become writable again like in step 2. This can be useful for fixing iNVM values that were programmed wrongly, or, if boards are resold to a third party who wants to further customize the iNVM. For example, the third party might want a different MAC address or device ID to identify the device with their company's custom software. At the end of this iNVM write cycle, the SECURITY_EN strapping option must be re-enabled.

3.4.3.1 iNVM Programming Flow via Registers

Writing the iNVM via this flow must be done when the system is idle, with no Rx/Tx traffic running and with PCIEMISC.DMA Idle Indication bit set to 1b. The iNVM memory is organized in 32 lines of 64 bits each, for a total of 2 Kb.

1. To be sure the PHY clock used by iNVM programming logic gets stabilized, wait (at least) 15 μ s after EEMNGCTL.CFG_DONE bit is read as 1b.
 - a. Skip this step on devices that have no attached Flash parts with a valid contents
2. To avoid mistakenly writing the iNVM, write the iNVM_PROTECT.CODE register field with 0xABACADA (ALLOW_WRITE bit is set to 1b).
3. Read the iNVM memory line to be programmed, use iNVM_DATA[2n] and iNVM_DATA[2n+1] register (n=0,...,31), respectively for the lower and higher Dwords of the iNVM line to be programmed.
4. Write the desired value in iNVM_DATA[2n].
5. Wait 320 μ s, which is the time required for a complete burning of the 32-bit fuses or poll iNVM_PROTECT.BUSY until it is cleared.
6. Write the desired value in iNVM_DATA[2n+1].
7. Wait 320 μ s, which is the time required for a complete burning of the 32-bit fuses.
8. Read the iNVM line programmed via iNVM_DATA[2n] and iNVM_DATA[2n+1] registers read.
 - a. If not all the bits were properly written, repeat steps 4 to 8 until all bits are properly written.
9. Optionally, lock the line programmed by setting iNVM_LOCK[n].LOCK register bit to 1b.
 - a. Wait 10 μ s for the lock to take effect.
 - b. Read the iNVM_LOCK[n].LOCK register bit to check it is read as 1b.
 - c. If it is not read as 1b, repeat step 9 until it reads as 1b.
10. Program a new line if needed by repeating step 3.



11. When the iNVM programming sequence completes, write to the iNVM_PROTECT register with 0x00000000.

Note: Reading the iNVM can be done directly by read access to the iNVM_DATA[0-63] registers. Locking a programmed line at step 8 avoids any possibility in the future to invalidate the line by writing the *Type* field with 111b. In case no Flash part with a valid contents is attached, the new OTP settings will take effect either after a power-up cycle or if mirroring the whole OTP contents into the shadow RAM and initiating a PCIe reset. The later option does not concern items that load only at power-up (refer to [Table 3-27](#)).

3.4.4 Hardware Load of iNVM Values into Internal Structures

After every reset, hardware goes over the iNVM, reading and parsing its structures. If a structure is valid and its reset type matches the initiated reset, hardware loads the word or CSR from the iNVM structure into its internal hardware structures.

If an iNVM structure type is read as 111b, hardware skips that Dword, and any following Dword starting with that type field.

If a type field is read as 000b, hardware stops parsing the iNVM and concludes.

In a 2 Kb iNVM, there is room for programming up to 64 words or 32 CSRs. For example, programming the MAC address consumes three auto-load word structures.

Once an iNVM structure is written, there is no way to modify its value other than invalidating its type field (type=111b). iNVM structures can be constructed to rewrite or replace previous iNVM structures, if such a change is required. For instance, assuming PCI configuration and various workarounds require 5 CSR structures and 5 word auto-load ones, then 68 iNVM words remain un-programmed, which leaves enough room for additional word and CSR rewrites, if needed.

3.4.5 Software Load of Default Values into Internal Structures

On every reset event of the I210, software is able to re-load new default values into the internal hardware structures as if the settings were auto-loaded by hardware from the shadow RAM. This ability is referred to as auto-load bus write by software. It is aimed to avoid wasting iNVM lines with settings that can be handled by software.

The following flow is used by software:

1. Write the iNVM word address and data to be loaded in the device via EEARBC register write. Refer to [Table 6-1](#) iNVM words that are used by hardware.
2. Wait until the EEARBC.DONE bit is set by hardware.
3. Load new iNVM words into the hardware structures by repeating steps 1 and 2 as needed.

Note: Software uses the autoload bus write mechanism because writing into registers is not always possible to set internal hardware structures.

3.4.6 I210 Init Flow

Once the init flow detects no Flash device is present, a POR or a firmware reset event, the ROM-based firmware code jumps to this flow from step 2 of the flow described in [Section 3.3.11.2](#).



1. If this is the first time this flow is entered after POR, then ROM-firmware parses the iNVM structure to handle PHY register auto-load structures (if there are such in iNVM).
2. ROM-firmware parses the iNVM structure to detect the presence of a word auto-load structure for iNVM word 0x0A:
 - a. If the structure is found and HI_DISABLE bit is set to 1b, then exit this flow.
3. ROM-firmware sets the HICR.Memory Base Enable bit to 1b, and HICR.Enable to 1b. This has the effect of enabling the host interface.
4. ROM-firmware sets FWSM.FW_Mode field to 100b (host interface only), the FWSM.FW_Val_Bit to 1b, and issues an ICR.MNG interrupt to the host for notifying it that the device is ready for the proxy code load.
5. ROM-firmware polls the HICR.C bit until it is set to 1b by the host. This is the indication used by the host to notify firmware that the proxy code was loaded.
6. When the software device driver is up, it detects it is a the I211 SKU (device ID read as 0x1539) and it waits until FWSM.FW_Mode is read as 100b (host interface only) and the FWSM.FW_Val_Bit is read as 1b.
7. The software device driver resets the port by setting CTRL.RST and waits for EEC.AUTO_RD to be read as 1b.
8. The software device driver resets the firmware by setting HICR.FWRE to 1b first, and then by setting HICR.FWR to 1b, which has the effect of re-entering the ROM-firmware into step 1.
9. Each time the system exits from a sleep state, or once the software device driver gets the interrupt issued by firmware at step 2, the software device driver checks whether the FWSM.FW_Mode is read as 100b (host interface only) and the FWSM.FW_Val_Bit is read as 1b. This is the method used by firmware to request re-load of the proxy code.
10. If a proxy code has to be loaded, then the software device driver sets its current internal RAM base address to 0x10000. Otherwise, the software device driver exits the flow.
11. The software device driver copies its current internal RAM base address into the HIBBA register.
12. The software device driver writes consecutive locations from address 0x8800 up to 0x8BFF with the next 1 KB of the proxy code, in Dwords (32-bit) chunks ordered in little endian.
13. The software device driver increments its current internal RAM base address by 1 KB.
14. The software device driver repeats steps 10 to 12 until the entire proxy code is written (or until the 50 KB limit is reached).
15. The software device driver sets the HICR.C bit to notify the ROM-firmware that the proxy code load completed.
16. ROM-firmware starts the proxy code execution from internal RAM address 0x10000.
17. Once RAM-firmware completes its init sequence and is ready to receive commands from host, it sets FWSM.FW_Mode to 001b (the I211 mode) and the FW_Val_Bit to 1b, and it clears the HICR.C bit to notify the host that the host interface is ready to receive commands.

Note: Once loaded, the firmware runs the proxy code even when the system is in a sleep state. It is the software device driver's responsibility to reset the firmware prior to entering Sx. However, if the system powers up in S3 state or if a firmware reset event occurs while the system was in S3, no proxy offload is performed until the system resumes S0 and the proxy code is re-loaded into the device.

After PHY reset events, ROM-firmware (as well as RAM-firmware) is responsible to parse the PHY register auto-load structures of the iNVM (refer to [Section 3.4.2.3](#)) and to perform the required MDIO accesses accordingly.



3.5 Configurable I/O Pins

3.5.1 General-Purpose I/O (Software-Definable Pins)

The I210 has four software-defined pins (SDP pins) that can be used for miscellaneous hardware or software-controllable purposes. These pins can each be individually configurable to act as either input or output pins. The default direction of each of the four pins is configurable via the Flash as well as the default value of any pins configured as outputs. To avoid signal contention, all four pins are set as input pins until after the Flash configuration has been loaded.

In addition to all four pins being individually configurable as inputs or outputs, they can be configured for use as General-Purpose Interrupt (GPI) inputs. To act as GPI pins, the desired pins must be configured as inputs. A separate GPI interrupt-detection enable is then used to enable rising-edge detection of the input pin (rising-edge detection occurs by comparing values sampled at the internal clock rate as opposed to an edge-detection circuit). When detected, a corresponding GPI interrupt is indicated in the Interrupt Cause register.

The use, direction, and values of SDP pins are controlled and accessed using fields in the Device Control (CTRL) register and Extended Device Control (CTRL_EXT) register.

The SDPs can be used for special purpose mechanisms such as a watchdog indication (refer to [Section 3.5.3](#)), IEEE 1588 support (refer to [Section 7.8](#)) or an I²C interface bus (refer to [Section 3.5.2](#)).

3.5.2 I²C Over SDP

The I²C usage of SDP pins must be enabled by setting the I2C_ON_SDP_EN bit to 1b in Flash word 0x20. This relates to the SDP 0 and SDP 2 pins, which operate as I2C_CLK and I2C_DATA, respectively.

The I²C interface operates via the I2CCMD and I2CPARAMS register set (refer to [Section 8.17.8](#)). Since this register set can be used by either software or firmware in alternation, its ownership must be acquired/released via the semaphore ownership taking/release flows described in [Section 4.6](#).

Note: I²C over SDP pins mode is mutually exclusive with running I²C over the SFPx_I2C pins.

3.5.3 Software Watchdog

In some situations it might be useful to give an indication to manageability firmware or to external devices that the I210 hardware or the software device driver is not functional. For example, in a pass-through NIC, the I210 might be bypassed if it is not functional. In order to provide this functionality, a watchdog mechanism is used. This mechanism can be enabled by default, according to Flash configuration.

Once the host driver is up and it determines that hardware is functional, it might reset the watchdog timer to indicate that the I210 is functional. The software device driver should then re-arm the timer periodically. If the timer is not re-armed after pre-programmed timeout, an interrupt is sent to firmware and a pre-programmed SDP0 pin is asserted. Additionally the *ICR.Software WD* bit can be set to give an interrupt to the software device driver when the timeout is reached.

The SDP0 pin on which the watchdog timeout is indicated, is defined via the *CTRL.SDP0_WDE* bit. In this mode, the *CTRL.SDP0_IODIR* should be set to output. The *CTRL.SDP0_DATA* bit indicates the polarity of the indication. Setting the *CTRL.SDP0_WDE* bit causes the watchdog timeout indication to be routed to this SDP0 pin.



The register controlling the watchdog timeout feature is the *WDSTP* register. This register enables defining a time-out period and the activation of this mode. Default watchdog timeout activation and timeout period can be set in the Flash.

The timer is re-armed by setting the *WDSWSTS.Dev_functional* bit.

If software needs to trigger the watchdog immediately because it suspects hardware is stuck, it can set the *WDSWSTS.Force_WD* bit. It can also supply firmware the cause for the watchdog, by placing additional information in the *WDSWSTS.Stuck Reason* field.

Note: The watchdog circuitry has no logic to detect if hardware is not functional. If the hardware is not functional, the watchdog might expire due to software not being able to access the hardware, thus indicating there is potential hardware problem.

3.5.3.1 Watchdog Re-arm

After a watchdog indication was received, in order to re-arm the mechanism the following flow should be used:

1. Clear *WD_enable* bit in the *WDSTP* register.
2. Clear *SDPO_WDE* bit in *CTRL* register.
3. Set *SDPO_WDE* bit in *CTRL* register.
4. Set *WD_enable* bit in the *WDSTP* register.

3.5.4 LEDs

The I210 provides three LEDs on the port that can be used to indicate different statuses of the traffic. The default setup of the LEDs is done via Flash word offsets 0x1C and 0x1F. This setup is reflected in the *LEDCTL* register. Each software device driver can change its setup individually. For each of the LEDs, the following parameters can be defined:

- Mode: Defines which information is reflected by this LED. The encoding is described in the *LEDCTL* register.
- Polarity: Defines the polarity of the LED.
- Blink mode: Determines whether or not the LED should blink or be stable.

In addition, the blink rate of all LEDs can be defined. The possible rates are 200 ms or 83 ms for each phase. There is one rate for all the LEDs.

3.6 Voltage Regulator

To reduce Bill of Material (BOM) cost, the I210 supports generating the 1.5V and 0.9V power supplies from the 3.3V supply using an on-chip Switching Capacitor Voltage Regulator (SVR) control circuit, which requires only an external capacitor component.

Refer to [Section 11.6.6](#) for more details.



3.7 Network Interfaces

3.7.1 Overview

The I210 MAC provides a complete CSMA/CD function supporting IEEE 802.3 (10 Mb/s), 802.3u (100 Mb/s), 802.3z and 802.3ab (1000 Mb/s) implementations. The I210 performs all of the functions required for transmission, reception, and collision handling called out in the standards.

The I210 supports the following potential configurations:

- Internal copper PHY.
- External SerDes device such as an optical SerDes (SFP or on board) or backplane (1000BASE-BX or 1000BASE-KX) connections.
- External SGMII device. This mode is used for connections to external 10/100/1000 BASE-T PHYs that support the SGMII MAC/PHY interface.

Selecting between the various configurations is programmable via the MAC's the Extended Device Control register (*CTRL_EXT.LINK_MODE* bits) and default is set via Flash settings. [Table 3-22](#) lists the encoding on the *LINK_MODE* field for each of the modes.

Table 3-22. Link Mode Encoding

| Link Mode | I210 Mode |
|-----------|--------------------|
| 00b | Internal PHY |
| 01b | 1000BASE-KX |
| 10b | SGMII |
| 11b | SerDes/1000BASE-BX |

The GMII/MII interface, used to communicate between the MAC and the external PHY or the SGMII PCS, supports 10/100/1000 Mb/s operation, with both half- and full-duplex operation at 10/100 Mb/s, and only full-duplex operation at 1000 Mb/s. Board design link path should include AC coupling capacitors.

The SerDes function can be used to implement a fiber-optics-based solution or backplane connection without requiring an external TBI mode transceiver/SerDes.

The SerDes interface can be used to connect to SFP modules. As such, this SerDes interface has the following limitations:

- No Tx clock
- AC coupling only

The internal copper PHY supports 10/100/1000BASE-T signaling and is capable of performing intelligent power-management based on both the system power-state and LAN energy-detection (detection of unplugged cables). Power management includes the ability to shut-down to an extremely low (powered-down) state when not needed, as well as the ability to auto-negotiate to lower-speed 10/100 Mb/s operation when the system is in low power-states.



3.7.2 MAC Functionality

3.7.2.1 Internal GMII/MII Interface

The I210's MAC and PHY/PCS communicate through an internal GMII/MII interface that can be configured for either 1000 Mb/s operation (GMII) or 10/100 Mb/s (MII) mode of operation. For proper network operation, both the MAC and PHY must be properly configured (either explicitly via software or via hardware auto-negotiation) to identical speed and duplex settings.

All MAC configuration is performed using Device Control registers mapped into system memory or I/O space; an internal MDIO/MDC interface, accessible via software, is used to configure the internal PHY. In addition an external MDIO/MDC interface is available to configure external PHY's that are connected to the I210 via the SGMII interface.

3.7.2.2 MDIO/MDC PHY Management Interface

The I210 implements an IEEE 802.3 MII Management Interface, also known as the Management Data Input/Output (MDIO) or MDIO interface, between the MAC and a PHY. This interface provides the MAC and software the ability to monitor and control the state of the PHY. The MDIO interface defines a physical connection, a special protocol that runs across the connection, and an internal set of addressable registers. The interface consists of a data line (MDIO) and clock line (MDC), which are accessible by software via the MAC register space.

- **Management Data Clock (MDC):** This signal is used by the PHY as a clock timing reference for information transfer on the MDIO signal. The MDC is not required to be a continuous signal and can be frozen when no management data is transferred. The MDC signal has a maximum operating frequency of 2.5 MHz.
- **MDIO:** This bi-directional signal between the MAC and PHY is used to transfer control and status information to and from the PHY (to read and write the PHY management registers).

Software can use MDIO accesses to read or write registers of the internal PHY, internal SerDes, or an external SGMII PHY, by accessing the I210's MDIC register (refer to [Section 8.2.4](#)). MDIO configuration setup (internal/ External PHY, PHY Address and Shared MDIO) is defined in the MDICNFG register (refer to [Section 8.2.5](#)). By selecting Page 26 via PHYREG 22 register, internal SerDes registers can be accessed.

When working in SGMII/SerDes mode, the external PHY (if it exists) can be accessed either through MDC/MDIO as previously described, or via a two wire I²C interface bus using the I2CCMD register (refer to [Section 8.17.8](#)). The two wire I²C interface bus or the MDC/MDIO bus are connected via the same pins, and thus are mutually exclusive. In order to be able to control an external device, either by I²C or MDC/MDIO, the 2-wires *SFP Enable* bit in Initialization Control 3 Flash word, that's loaded into the *CTRL_EXT.I2C Enabled* register bit, should be set.

As the MDC/MDIO command can be targeted either to the internal PHY or to an external bus, the *MDICNFG.destination* bit is used to define the target of the transaction. Following reset, the value of the *MDICNFG.destination* bit is loaded from the *External MDIO* bit in the Initialization Control 3 Flash word. When the *MDICNFG.destination* is clear, the MDIO access is always to the internal PHY and the PHY address is ignored.

The external port PHY address is written in the *MDICNFG.PHYADD* register field, which is loaded from the Initialization Control 4 Flash word following reset.

Note: When the dedicated SFPx_I2C pins are not used for I²C, an alternative I²C interface bus can be run over SDP 0 and SDP2 pins, using the *I2CCMD* register set (refer to [Section 3.5.2](#)).



3.7.2.2.1 Detecting an External I²C or MDIO Connection

When the *CTRL_EXT.I2C Enabled* bit is set to 1b, software can recognize type of external PHY control bus (MDIO or I²C) connection according to the values loaded from the Flash to the *MDICNFG.Destination* bit and the *CTRL_EXT.LINK_MODE* field in the following manner:

- External I²C operating mode - *MDICNFG.Destination* equals 0b and *CTRL_EXT.LINK_MODE* is not equal to 0b.
- External MDIO Operating mode - *MDICNFG.Destination* equals 1b and *CTRL_EXT.LINK_MODE* is not equal to 0b.

3.7.2.2.2 MDIC and MDICNFG Register Usage

For a MDIO read cycle, the sequence of events is as follows:

1. If default *MDICNFG* register values loaded from Flash need to be updated. The processor performs a PCIe write access to the *MDICNFG* register to define the:
 - PHYADD = Address of external PHY.
 - Destination = Internal or external PHY.
2. The processor performs a PCIe write cycle to the MDIC register with:
 - Ready = 0b
 - Interrupt Enable set to 1b or 0b
 - Opcode = 10b (read)
 - REGADD = Register address of the specific register to be accessed (0 through 31).
3. The MAC applies the following sequence on the MDIO signal to the PHY:
<PREAMBLE><01><10><PHYADD><REGADD><Z> where Z stands for the MAC tri-stating the MDIO signal.
4. The PHY returns the following sequence on the MDIO signal<0><DATA><IDLE>.
5. The MAC discards the leading bit and places the following 16 data bits in the MII register.
6. The I210 asserts an interrupt indicating MDIO Done if the *Interrupt Enable* bit was set.
7. The I210 sets the *Ready* bit in the MDIC register indicating the read completed.
8. The processor might read the data from the MDIC register and issue a new MDIO command.

For a MDIO write cycle, the sequence of events is as follows:

1. If default *MDICNFG* register values loaded from Flash need to be updated. The processor performs a PCIe write cycle to the *MDICNFG* register to define the:
 - PHYADD = Address of external PHY.
 - Destination = Internal or external PHY.
2. The processor performs a PCIe write cycle to the MDIC register with:
 - Ready = 0b.
 - Interrupt Enable set to 1b or 0b.
 - Opcode = 01b (write).
 - REGADD = Register address of the specific register to be accessed (0 through 31).
 - Data = Specific data for desired control of the PHY.
3. The MAC applies the following sequence on the MDIO signal to the PHY:
<PREAMBLE><01><01><PHYADD><REGADD><10><DATA><IDLE>



4. The I210 asserts an interrupt indicating MDIO Done if the *Interrupt Enable* bit was set.
5. The I210 sets the *Ready* bit in the MDIC register to indicate that the write operation completed.
6. The CPU might issue a new MDIO command.

Note: A MDIO read or write might take as long as 64 μ s from the processor write to the *Ready* bit assertion.

If an invalid opcode is written by software, the MAC does not execute any accesses to the PHY registers.

If the PHY does not generate a 0b as the second bit of the turn-around cycle for reads, the MAC aborts the access, sets the *E* (error) bit, writes 0xFFFF to the data field to indicate an error condition, and sets the *Ready* bit.

Note: After a PHY reset, access through the MDIC register should not be attempted for 300 μ s.

3.7.2.3 Duplex Operation with Copper PHY

The I210 supports half-duplex and full-duplex 10/100 Mb/s MII mode either through an internal copper PHY or SGMII interface. However, only full-duplex mode is supported when SerDes/1000BASE-BX or 1000BASE-KX modes are used or in any 1000 Mb/s connection.

Configuring the I210 duplex operation can either be forced or determined via the auto-negotiation process. Refer to [Section 3.7.4.4](#) for details on link configuration setup and resolution.

3.7.2.3.1 Full Duplex

All aspects of the IEEE 802.3, 802.3u, 802.3z, and 802.3ab specifications are supported in full-duplex operation. Full-duplex operation is enabled by several mechanisms, depending on the speed configuration of the I210 and the specific capabilities of the link partner used in the application. During full-duplex operation, the I210 can transmit and receive packets simultaneously across the link interface.

In full-duplex, transmission and reception are delineated independently by the GMII/MII control signals. Transmission starts TX_EN is asserted, which indicates there is valid data on the TX_DATA bus driven from the MAC to the PHY/PCS. Reception is signaled by the PHY/PCS by the asserting the RX_DV signal, which indicates valid receive data on the RX_DATA lines to the MAC.

3.7.2.3.2 Half Duplex

In half-duplex operation, the MAC attempts to avoid contention with other traffic on the link by monitoring the CRS signal provided by the PHY and deferring to passing traffic. When the CRS signal is de-asserted or after a sufficient Inter-Packet Gap (IPG) has elapsed after a transmission, frame transmission begins. The MAC signals the PHY/PCS with TX_EN at the start of transmission.

In the case of a collision, the PHY/SGMII detects the collision and asserts the COL signal to the MAC. Frame transmission stops within four link clock times and then the I210 sends a JAM sequence onto the link. After the end of a collided transmission, the I210 backs off and attempts to re-transmit per the standard CSMA/CD method.

Note: The re-transmissions are done from the data stored internally in the I210 MAC transmit packet buffer (no re-access to the data in host memory is performed).



The MAC behavior is different if a regular collision or a late collision is detected. If a regular collision is detected, the MAC always tries to re-transmit until the number of excessive collisions is reached. In case of late collision, the MAC retransmission is configurable. In addition, statistics are gathered on late collisions.

In the case of a successful transmission, the I210 is ready to transmit any other frame(s) queued in the MAC's transmit FIFO, after the minimum inter-frame spacing (IFS) of the link has elapsed.

During transmit, the PHY is expected to signal a carrier-sense (assert the CRS signal) back to the MAC before one slot time has elapsed. The transmission completes successfully even if the PHY fails to indicate CRS within the slot time window. If this situation occurs, the PHY can either be configured incorrectly or be in a link down situation. Such an event is counted in the transmit without CRS statistic register (refer to [Section 8.18.12](#)).

When operating in half duplex mode, the elasticity FIFO in the PHY should be programmed to its minimum size by setting the *Copper Transmit FIFO Depth* field to 00b (depth of 16 bits). See [Section 8.27.3.23](#)).

3.7.3 SerDes/1000BASE-BX, SGMII and 1000BASE-KX Support

The I210 can be configured to follow either SGMII, SerDes/1000BASE-BX or 1000BASE-KX standards. When in SGMII mode, the I210 can be configured to operate in 1 Gb/s, 100 Mb/s or 10 Mb/s speeds. When in the 10/100 Mb/s speed, the I210 can be configured to half-duplex mode of operation. When configured for SerDes/1000BASE-BX or 1000BASE-KX operation, the port supports only 1 Gb/s, full-duplex operation. Since the serial interfaces are defined as differential signals, internally the hardware has analog and digital blocks. Following is the initialization/configuration sequence for the analog and digital blocks.

3.7.3.1 SerDes/1000BASE-BX, SGMII and 1000BASE-KX Analog Block

The analog block might require some changes to its configuration registers in order to work properly. There is no special requirement for designers to do these changes as the hardware internally updates the configuration using a default sequence or a sequence loaded from the Flash.

3.7.3.2 SerDes/1000BASE-BX, SGMII and 1000BASE-KX PCS Block

The link setup for SerDes/1000BASE-BX, 1000BASE-KX and SGMII are described in sections [3.7.4.1](#), [3.7.4.2](#) and [3.7.4.3](#) respectively.

3.7.3.3 GbE Physical Coding Sub-Layer (PCS)

The I210 integrates the 802.3z PCS function on-chip. The on-chip PCS circuitry is used when the link interface is configured for SerDes/1000BASE-BX, 1000BASE-KX or SGMII operation and is bypassed for internal PHY mode.

The packet encapsulation is based on the Fiber Channel (FC0/FC1) physical layer and uses the same coding scheme to maintain transition density and DC balance. The physical layer device is the SerDes and is used for 1000BASE-SX, -L-, or -CX configurations.

3.7.3.3.1 8B10B Encoding/Decoding



The GbE PCS circuitry uses the same transmission-coding scheme used in the fiber channel physical layer specification. The 8B10B-coding scheme was chosen by the standards committee in order to provide a balanced, continuous stream with sufficient transition density to allow for clock recovery at the receiving station. There is a 25% overhead for this transmission code, which accounts for the data-signaling rate of 1250 Mb/s with 1000 Mb/s of actual data.

3.7.3.3.2 Code Groups and Ordered Sets

Code group and ordered set definitions are defined in clause 36 of the IEEE 802.3z standard. These represent special symbols used in the encapsulation of GbE packets. The following table contains a brief description of defined ordered sets and included for informational purposes only. Refer to clause 36 of the IEEE 802.3z specification for more details.

Table 3-23. Brief Description of Defined Ordered Sets

| Code | Ordered_Set | # of Code Groups | Usage |
|------|-------------------|------------------|--|
| /C/ | Configuration | 4 | General reference to configuration ordered sets, either /C1/ or /C2/, which is used during auto-negotiation to advertise and negotiate link operation information between link partners. Last 2 code groups contain configuration base and next page registers. |
| /C1/ | Configuration 1 | 4 | See /C/. Differs from /C2/ in 2nd code group for maintaining proper signaling disparity ¹ . |
| /C2/ | Configuration 2 | 4 | See /C/. Differs from /C1/ in 2nd code group for maintaining proper signaling disparity ¹ . |
| /I/ | IDLE | 2 | General reference to idle ordered sets. Idle characters are continually transmitted by the end stations and are replaced by encapsulated packet data. The transitions in the idle stream enable the SerDes to maintain clock and symbol synchronization between link partners. |
| /I1/ | IDLE 1 | 2 | See /I/. Differs from /I2/ in 2nd code group for maintaining proper signaling disparity ¹ . |
| /I2/ | IDLE 2 | 2 | See /I/. Differs from /I1/ in 2nd code group for maintaining proper signaling disparity ¹ . |
| /R/ | Carrier_Extend | 1 | This ordered set is used to indicate carrier extension to the receiving PCS. It is also used as part of the end_of_packet encapsulation delimiter as well as IPG for packets in a burst of packets. |
| /S/ | Start_of_Packet | 1 | The SPD (start_of_packet delimiter) ordered set is used to indicate the starting boundary of a packet transmission. This symbol replaces the last byte of the preamble received from the MAC layer. |
| /T/ | End_of_Packet | 1 | The EPD (end_of_packet delimiter) is comprised of three ordered sets. The /T/ symbol is always the first of these and indicates the ending boundary of a packet. |
| /V/ | Error_Propagation | 1 | The /V/ ordered set is used by the PCS to indicate error propagation between stations. This is normally intended to be used by repeaters to indicate collisions. |

1. The concept of running disparity is defined in the standard. In summary, this refers to the 1-0 and 0-1 transitions within 8B10B code groups.

3.7.4 Auto-Negotiation and Link Setup Features

The method for configuring the link between two link partners is highly dependent on the mode of operation as well as the functionality provided by the specific physical layer device (PHY or SerDes). In SerDes/1000BASE-BX mode, the I210 provides the complete PCS and Auto-negotiation functionality as defined in IEEE802.3 clause 36 and clause 37. In internal PHY mode, the PCS and IEEE802.3 clause 28 and clause 40 auto-negotiation functions are maintained within the PHY. In SGMII mode, the I210 supports the SGMII link auto-negotiation process, whereas the link auto-negotiation, as defined in



IEEE802.3 clause 28 and clause 40, is done by the external PHY. In 1000BASE-KX mode, the I210 supports only parallel detect of 1000BASE-KX signaling and does not support the full Auto-Negotiation for Backplane Ethernet protocol as defined in IEEE802.3ap clause 73.

Configuring the link can be accomplished by several methods ranging from software forcing link settings, software-controlled negotiation, MAC-controlled auto-negotiation, to auto-negotiation initiated by a PHY. The following sections describe processes of bringing the link up including configuration of the I210 and the transceiver, as well as the various methods of determining duplex and speed configuration.

The process of determining link configuration differs slightly based on the specific link mode (internal PHY, SerDes/1000BASE-BX, SGMII or 1000BASE-KX) being used.

When operating in a SerDes/1000BASE-BX mode, the PCS layer performs auto-negotiation per clause 37 of the 802.3z standard. The transceiver used in this mode does not participate in the auto-negotiation process as all aspects of auto-negotiation are controlled by the I210.

When operating in internal PHY mode, the PHY performs auto-negotiation per 802.3ab clause 40 and extensions to clause 28. Link resolution is obtained by the MAC from the PHY after the link has been established. The MAC accomplishes this via the MDIO interface, via specific signals from the internal PHY to the MAC, or by MAC auto-detection functions.

When operating in SGMII mode, the PCS layer performs SGMII auto-negotiation per the SGMII specification. The external PHY is responsible for the Ethernet auto-negotiation process.

When operating in 1000BASE-KX mode the I210 performs parallel detect of 1000BASE-KX operation but does not implement the full auto-negotiation for backplane Ethernet sequence as defined in IEEE802.3ap clause 73.

3.7.4.1 SerDes/1000BASE-BX Link Configuration

When using SerDes/1000BASE-BX link mode, link mode configuration can be performed using the PCS function in the I210. The hardware supports both hardware and software auto-negotiation methods for determining the link configuration, as well as allowing for a manual configuration to force the link. Hardware auto-negotiation is the preferred method.

3.7.4.1.1 Signal Detect Indication

When the *CONNSW.ENRGSRC* bit is set to 1b, the *SRDS_SIG_DET* pins can be connected to a Signal Detect or loss-of-signal (LOS) output of the optical module that indicates when no laser light is being received when the I210 is used in a 1000BASE-SX or -LX implementation (SerDes operation). No standard polarity for the signal detect or loss-of-signal driven from different manufacturer optical modules exists. The *CTRL.ILOS* bit provides the capability to invert the signal from different external optical module vendors, and should be set when the external optical module provides a negative-true loss-of-signal.

Note: In internal PHY, SGMII, 1000BASE-BX and 1000BASE-KX connections, energy detect source is always internal and value of *CONNSW.ENRGSRC* bit should be 0b. The *CTRL.ILOS* bit also inverts the internal link-up input that provides link status indication and thus should be set to 0b for proper operation.

3.7.4.1.2 MAC Link Speed



SerDes/1000BASE-BX operation is only defined for 1000 Mb/s operation. Other link speeds are not supported. When configured for the SerDes interface, the MAC speed-determination function is disabled and the Device Status register bits (*STATUS.SPEED*) indicate a value of 10b for 1000 Mb/s.

3.7.4.1.3 SerDes/1000BASE-BX Mode Auto-Negotiation

In SerDes/1000BASE-BX mode, after power up or the I210 reset via PE_RST_N, the I210 initiates IEEE802.3 clause 37 auto-negotiation based on the default settings in the device control and transmit configuration or PCS Link Control Word registers, as well as settings read from the Flash. If enabled in the Flash, the I210 immediately performs auto-negotiation.

TBI mode auto-negotiation, as defined in clause 37 of the IEEE 802.3z standard, provides a protocol for two devices to advertise and negotiate a common operational mode across a GbE link. The I210 fully supports the IEEE 802.3z auto-negotiation function when using the on-chip PCS and internal SerDes.

TBI mode auto-negotiation is used to determine the following information:

- Duplex resolution (even though the I210 MAC only supports full-duplex in SerDes/1000BASE-BX mode).
- Flow control configuration.

Note: Since speed for SerDes/1000BASE-BX modes is fixed at 1000 Mb/s, speed settings in the Device Control register are unaffected by the auto-negotiation process.

Note: Auto-negotiation can be initiated at power up or by asserting PE_RST_N and enabling specific bits in the Flash.

The auto-negotiation process is accomplished by the exchange of /C/ ordered sets that contain the capabilities defined in the *PCS_ANADV* register in the 3rd and 4th symbols of the ordered sets. Next page are supported using the *PCS_NPTX_AN* register.

Bits *FD* and *LU* in the Device Status (*STATUS*) register, and bits in the *PCS_LSTS* register provide status information regarding the negotiated link.

Auto-negotiation can be initiated by the following:

- *PCS_LCTL.AN_ENABLE* transition from 0b to 1b
- Receipt of /C/ ordered set during normal operation
- Receipt of a different value of the /C/ ordered set during the negotiation process
- Transition from loss of synchronization to synchronized state (if *AN_ENABLE* is set).
- *PCS_LCTL.AN_RESTART* transition from 0b to 1b

Resolution of the negotiated link determines device operation with respect to flow control capability and duplex settings. These negotiated capabilities override advertised and software-controlled device configuration.

Software must configure the *PCS_ANADV* fields to the desired advertised base page. The bits in the Device Control register are not mapped to the *txConfigWord* field in hardware until after auto-negotiation completes. Table 3-24 lists the mapping of the *PCS_ANADV* fields to the Config_reg Base Page encoding per clause 37 of the standard.

Table 3-24. 802.3z Advertised Base Page Mapping

| 15 | 14 | 13:12 | 11:9 | 8:7 | 6 | 5 | 4:0 |
|-------|-----|-------|------|-----|----|----|-----|
| Nextp | Ack | RFLT | rsv | ASM | Hd | Fd | rsv |



The partner advertisement can be seen in the PCS_LPAB and PCS_LPABNP registers.

3.7.4.1.4 Forcing Link-up in SerDes/1000BASE-BX Mode

Forcing link can be accomplished by software by writing a 1b to *CTRL.SLU*, which forces the MAC PCS logic into a link-up state (enables listening to incoming characters when *SRDS_[n]_SIG_DET* is asserted by the external optical module or an equivalent signal is asserted by the internal PHY).

Note: The *PCS_LCTL.AN_ENABLE* bit must be set to a logic zero to enable forcing link. When link is forced via the *CTRL.SLU* bit, the link does not come up unless the *SRDS_[n]_SIG_DET* signal is asserted or an internal energy indication is received from the SerDes receiver, implying that there is a valid signal being received by the optical module or SerDes circuitry.

The source of the signal detect is defined by the *ENRGSRC* bit in the *CONNSW* register.

3.7.4.1.5 Hardware Detection of Non-Auto-Negotiation Partner

Hardware can detect a SerDes link partner that sends idle code groups continuously, but does not initiate or answer an auto-negotiation process. In this case, hardware initiates an auto-negotiation process, and if it fails after some timeout, a link up is assumed. To enable this functionality the *PCS_LCTL.AN_TIMEOUT_EN* bit should be set. This mode can be used instead of the force link mode as a way to support a partner that do not support auto-negotiation.

3.7.4.2 1000BASE-KX Link Configuration

When using 1000BASE-KX link mode, link mode configuration is forced manually by software since the I210 does not support IEEE802.3 clause 73 backplane auto-negotiation.

3.7.4.2.1 MAC Link Speed

1000BASE-KX operation is only defined for 1000 Mb/s operation. Other link speeds are not supported. When configured for the 1000BASE-KX interface, the MAC speed-determination function is disabled and the Device Status register bits (*STATUS.SPEED*) indicate a value of 10b for 1000 Mb/s.

3.7.4.2.2 1000BASE-KX Auto-Negotiation

The I210 only supports parallel detection of the 1000BASE-KX link and does not support the full IEEE802.3ap clause 73 backplane auto-negotiation protocol.

3.7.4.2.3 Forcing Link-up in 1000BASE-KX Mode

In 1000BASE-KX mode (*EXT_CTRL.LINK_MODE* = 01b) the I210 should always operates in force link mode (*CTRL.SLU* bit is set to 1b). The MAC PCS logic is placed in a link-up state once energy indication is received, implying that a valid signal is being received by the 1000BASE-KX circuitry. When in the link-up state PCS logic can lock on incoming characters.

Note: In 1000BASE-KX mode energy detect source is internal and value of *CONNSW.ENRGSRC* bit should be 0b. Clause 37 auto-negotiation should be disabled and the value of the *PCS_LCTL.AN_ENABLE* bit and *PCS_LCTL.AN_TIMEOUT_EN* bit should be 0b.



3.7.4.2.4 1000BASE-KX Hardware Detection of Link Partner

In 1000BASE-KX mode, hardware detects a 1000BASE-KX link partner that sends idle or none idle code groups continuously. In 1000BASE-KX operation force link-up mode is used.

3.7.4.3 SGMII Link Configuration

When working in SGMII mode, the actual link setting is done by the external PHY and is dependent on the settings of this PHY. The SGMII auto-negotiation process described in the sections that follow is only used to establish the MAC/PHY connection.

3.7.4.3.1 SGMII Auto-Negotiation

This auto-negotiation process is not dependent on the `SRDS_[n]_SIG_DET` signal and the `CONNSW.ENRGSR` bit should be 0b, as this signal indicates optical module signal detection and is not relevant in SGMII mode.

The outcome of this auto-negotiation process includes the following information:

- Link status
- Speed
- Duplex

This information is used by hardware to configure the MAC, when operating in SGMII mode.

Bits `FD` and `LU` of the Device Status (STATUS) register and bits in the `PCS_LSTS` register provide status information regarding the negotiated link.

Auto-negotiation can be initiated by the following:

- `PCS_LCTL.AN_ENABLE` transition from 0b to 1b.
- Receipt of `/C/` ordered set during normal operation.
- Receipt of different value of the `/C/` ordered set during the negotiation process.
- Transition from loss of synchronization to a synchronized state (if `AN_ENABLE` is set).
- `PCS_LCTL.AN_RESTART` transition from 0b to 1b.

Auto-negotiation determines the I210 operation with respect to speed and duplex settings. These negotiated capabilities override advertised and software controlled device configuration.

When working in SGMII mode, there is no need to set the `PCAS_ANADV` register, as the MAC advertisement word is fixed. In SGMII mode the `PCS_LCTL.AN_TIMEOUT_EN` bit should be 0b, since auto-negotiation outcome is required for correct operation. The result of the SGMII level auto-negotiation can be read from the `PCS_LPAB` register.

3.7.4.3.2 Forcing Link in SGMII Mode

In SGMII, forcing of the link cannot be done at the PCS level, only in the external PHY. The forced speed and duplex settings are reflected by the SGMII auto-negotiation process; the MAC settings are automatically done according to this functionality.

3.7.4.3.3 MAC Speed Resolution

The MAC speed and duplex settings are always set according to the SGMII auto-negotiation process.



3.7.4.4 Copper PHY Link Configuration

When operating with the internal PHY, link configuration is generally determined by PHY auto-negotiation. The software device driver must intervene in cases where a successful link is not negotiated or the designer desires to manually configure the link. The following sections discuss the methods of link configuration for copper PHY operation.

3.7.4.4.1 PHY Auto-Negotiation (Speed, Duplex, Flow Control)

When using a copper PHY, the PHY performs the auto-negotiation function. The actual operational details of this operation are described in the IEEE P802.3ab draft standard and are not included here.

Auto-negotiation provides a method for two link partners to exchange information in a systematic manner in order to establish a link configuration providing the highest common level of functionality supported by both partners. Once configured, the link partners exchange configuration information to resolve link settings such as:

- Speed: - 10/100/1000 Mb/s
- Duplex: - Full or half
- Flow control operation

PHY specific information required for establishing the link is also exchanged.

Note: If flow control is enabled in the I210, the settings for the desired flow control behavior must be set by software in the PHY registers and auto-negotiation restarted. After auto-negotiation completes, the software device driver must read the PHY registers to determine the resolved flow control behavior of the link and reflect these in the MAC register settings (*CTRL.TFCE* and *CTRL.RFCE*).

Once PHY auto-negotiation completes, the PHY asserts a link indication (LINK) to the MAC. Software must have set the *Set Link Up* bit in the Device Control register (*CTRL.SLU*) before the MAC recognizes the LINK indication from the PHY and can consider the link to be up.

3.7.4.4.2 MAC Speed Resolution

For proper link operation, both the MAC and PHY must be configured for the same speed of link operation. The speed of the link can be determined and set by several methods with the I210. These include:

- Software-forced configuration of the MAC speed setting based on PHY indications, which might be determined as follows:
 - Software reads of PHY registers directly to determine the PHY's auto-negotiated speed
 - Software reads the PHY's internal PHY-to-MAC speed indication (SPD_IND) using the MAC *STATUS.SPEED* register
- Software asks the MAC to attempt to auto-detect the PHY speed from the PHY-to-MAC RX_CLK, then programs the MAC speed accordingly
- MAC automatically detects and sets the link speed of the MAC based on PHY indications by using the PHY's internal PHY-to-MAC speed indication (SPD_IND)

Aspects of these methods are discussed in the sections that follow.



3.7.4.4.2.1 Forcing MAC Speed

There might be circumstances when the software device driver must forcibly set the link speed of the MAC. This can occur when the link is manually configured. To force the MAC speed, the software device driver must set the *CTRL.FRCSPD* (force-speed) bit to 1b and then write the speed bits in the Device Control register (*CTRL.SPEED*) to the desired speed setting. Refer to [Section 8.2.1](#) for details.

Note: Forcing the MAC speed using *CTRL.FRCSPD* overrides all other mechanisms for configuring the MAC speed and can yield non-functional links if the MAC and PHY are not operating at the same speed/configuration.

When forcing the I210 to a specific speed configuration, the software device driver must also ensure the PHY is configured to a speed setting consistent with MAC speed settings. This implies that software must access the PHY registers to either force the PHY speed or to read the PHY status register bits that indicate link speed of the PHY.

Note: Forcing speed settings by *CTRL.SPEED* can also be accomplished by setting the *CTRL_EXT.SPD_BYPSS* bit. This bit bypasses the MAC's internal clock switching logic and enables the software device driver complete control of when the speed setting takes place. The *CTRL.FRCSPD* bit uses the MAC's internal clock switching logic, which does delay the effect of the speed change.

3.7.4.4.2.2 Using Internal PHY Direct Link-Speed Indication

The I210's internal PHY provides a direct internal indication of its speed to the MAC (*SPD_IND*). When using the internal PHY, the most direct method for determining the PHY link speed and either manually or automatically configuring the MAC speed is based on these direct speed indications.

For MAC speed to be set/determined from these direct internal indications from the PHY, the MAC must be configured such that *CTRL.ASDE* and *CTRL.FRCSPD* are both 0b (both auto-speed detection and forced-speed override disabled). After configuring the Device Control register, MAC speed is re-configured automatically each time the PHY indicates a new link-up event to the MAC.

When MAC speed is neither forced nor auto-sensed by the MAC, the current MAC speed setting and the speed indicated by the PHY is reflected in the Device Status register bits *STATUS.SPEED*.

3.7.4.4.3 MAC Full-/Half- Duplex Resolution

The duplex configuration of the link is also resolved by the PHY during the auto-negotiation process. The I210's internal PHY provides an internal indication to the MAC of the resolved duplex configuration using an internal full-duplex indication (*FDX*).

When using the internal PHY, this internal duplex indication is normally sampled by the MAC each time the PHY indicates the establishment of a good link (*LINK* indication). The PHY's indicated duplex configuration is applied in the MAC and reflected in the MAC Device Status register (*STATUS.FD*).

Software can override the duplex setting of the MAC via the *CTRL.FD* bit when the *CTRL.FRCDPLX* (force duplex) bit is set. If *CTRL.FRCDPLX* is 0b, the *CTRL.FD* bit is ignored and the PHY's internal duplex indication is applied.

3.7.4.4.4 Using PHY Registers



The software device driver might be required under some circumstances to read from, or write to, the MII management registers in the PHY. These accesses are performed via the MDIC register (refer to [Section 8.2.4](#)). The MII registers enable the software device driver to have direct control over the PHY's operation, which can include:

- Resetting the PHY
- Setting preferred link configuration for advertisement during the auto-negotiation process
- Restarting the auto-negotiation process
- Reading auto-negotiation status from the PHY
- Forcing the PHY to a specific link configuration

The set of PHY management registers required for all PHY devices can be found in the IEEE P802.3ab standard.

3.7.4.4.5 Comments Regarding Forcing Link

Forcing link in GMII/MII mode (internal PHY) requires the software device driver to configure both the MAC and PHY in a consistent manner with respect to each other as well as the link partner. After initialization, the software device driver configures the desired modes in the MAC, then accesses the PHY registers to set the PHY to the same configuration.

Before enabling the link, the speed and duplex settings of the MAC can be forced by software using the *CTRL.FRCSPD*, *CTRL.FRCDPX*, *CTRL.SPEED*, and *CTRL.FD* bits. After the PHY and MAC have both been configured, the software device driver should write a 1b to the *CTRL.SLU* bit.

3.7.4.5 Loss of Signal/Link Status Indication

For all modes of operation, a LOS/LINK signal provides an indication of physical link status to the MAC. When the MAC is configured for optical SerDes mode, the input reflects loss-of-signal connection from the optics. In backplane mode, where there is no LOS external indication, an internal indication from the SerDes receiver can be used. In SFP systems the LOS indication from the SFP can be used. In internal PHY mode, this signal from the PHY indicates whether the link is up or down; typically indicated after successful auto-negotiation. Assuming that the MAC has been configured with *CTRL.SLU*=1b, the MAC status bit *STATUS.LU*, when read, generally reflects whether the PHY or SerDes has link (except under forced-link setup where even the PHY link indication might have been forced).

When the link indication from the PHY is de-asserted or the loss-of-signal asserted from the SerDes, the MAC considers this to be a transition to a link-down situation (such as cable unplugged, loss of link partner, etc.). If the Link Status Change (LSC) interrupt is enabled, the MAC generates an interrupt to be serviced by the software device driver.

3.7.5 Ethernet Flow Control (FC)

The I210 supports flow control as defined in 802.3x as well as the specific operation of asymmetrical flow control defined by 802.3z.

Flow control is implemented as a means of reducing the possibility of receive packet buffer overflows, which result in the dropping of received packets, and allows for local controlling of network congestion levels. This can be accomplished by sending an indication to a transmitting station of a nearly full receive buffer condition at a receiving station.

The implementation of asymmetric flow control allows for one link partner to send flow control packets while being allowed to ignore their reception. For example, not required to respond to PAUSE frames.



The following registers are defined for the implementation of flow control:

- *CTRL.RFCE* field is used to enable reception of legacy flow control packets and reaction to them
- *CTRL.TFCE* field is used to enable transmission of legacy flow control packets
- Flow Control Address Low, High (FCAL/H) - 6-byte flow control multicast address
- Flow Control Type (FCT) 16-bit field to indicate flow control type
- Flow Control bits in Device Control (CTRL) register - Enables flow control modes
- Discard PAUSE Frames (DPF) and Pass MAC Control Frames (PMCF) in RCTL - controls the forwarding of control packets to the host
- Flow Control Receive Threshold High (FCRTH0) - A 13-bit high watermark indicating receive buffer fullness. A single watermark is used in link FC mode.
- DMA Coalescing Receive Threshold High (FCRTC) - A 13-bit high watermark indicating receive buffer fullness when in DMA coalescing and Tx buffer is empty. The value in this register can be higher than value placed in the FCRTH0 register since the watermark needs to be set to allow for only receiving a maximum sized Rx packet before XOFF flow control takes effect and reception is stopped (refer to [Table 3-28](#) for information on flow control threshold calculation).
- Flow Control Receive Threshold Low (FCRTL0) - A 13-bit low watermark indicating receive buffer emptiness. A single watermark is used in link FC mode.
- Flow Control Transmit Timer Value (FCTTV) - a set of 16-bit timer values to include in transmitted PAUSE frame. A single timer is used in Link FC mode
- Flow Control Refresh Threshold Value (FCRTV) - 16-bit PAUSE refresh threshold value
- RXPBSIZE.Rxpbsize field is used to control the size of the receive packet buffer

3.7.5.1 MAC Control Frames and Receiving Flow Control Packets

3.7.5.1.1 Structure of 802.3X FC Packets

Three comparisons are used to determine the validity of a flow control frame:

1. A match on the 6-byte multicast address for MAC control frames or to the station address of the I210 (Receive Address Register 0).
2. A match on the type field.
3. A comparison of the MAC *Control Op-Code* field.

The 802.3x standard defines the MAC control frame multicast address as 01-80-C2-00-00-01.

The *Type* field in the FC packet is compared against an IEEE reserved value of 0x8808.

The final check for a valid PAUSE frame is the MAC control op-code. At this time only the PAUSE control frame op-code is defined. It has a value of 0x0001.

Frame-based flow control differentiates XOFF from XON based on the value of the *PAUSE* timer field. Non-zero values constitute XOFF frames while a value of zero constitutes an XON frame. Values in the *Timer* field are in units of pause quantum (slot time). A pause quantum lasts 64 byte times, which is converted in absolute time duration according to the line speed.

Note: XON frame signals the cancellation of the pause from initiated by an XOFF frame - pause for zero pause quantum.

[Table 3-25](#) lists the structure of a 802.3X FC packet.

**Table 3-25. 802.3X Packet Format**

| | |
|---------|-----------------------------|
| DA | 01_80_C2_00_00_01 (6 bytes) |
| SA | Port MAC address (6 bytes) |
| Type | 0x8808 (2 bytes) |
| Op-code | 0x0001 (2 bytes) |
| Time | XXXX (2 bytes) |
| Pad | 42 bytes |
| CRC | 4 bytes |

3.7.5.1.2 Operation and Rules

The I210 operates in Link FC.

- Link FC is enabled by the *RFCE* bit in the CTRL register.

Note: Link flow control capability is negotiated between link partners via the auto negotiation process. It is the software device driver responsibility to reconfigure the link flow control configuration after the capabilities to be used where negotiated as it might modify the value of these bits based on the resolved capability between the local device and the link partner.

Once the receiver has validated receiving an XOFF, or PAUSE frame, the I210 performs the following:

- Increments the appropriate statistics register(s)
- Sets the *Flow_Control State* bit in the FCSTS0 register.
- Initializes the pause timer based on the packet's *PAUSE* timer field (overwriting any current timer's value)
- Disables packet transmission or schedules the disabling of transmission after the current packet completes.

Resumption of transmission might occur under the following conditions:

- Expiration of the PAUSE timer
- Receiving an XON frame (a frame with its PAUSE timer set to 0b)

Both conditions clear the relevant *Flow_Control State* bit in the relevant FCSTS0 register and transmission can resume. Hardware records the number of received XON frames.

3.7.5.1.3 Timing Considerations

When operating at 1 Gb/s line speed, the I210 must not begin to transmit a (new) frame more than two pause-quantum-bit times after receiving a valid link XOFF frame, as measured at the wires. A pause quantum is 512-bit times.

When operating in full duplex at 10 Mb/s or at 100 Mb/s line speeds, the I210 must not begin to transmit a (new) frame more than 576-bit times after receiving a valid link XOFF frame, as measured at the wire.

3.7.5.2 PAUSE and MAC Control Frames Forwarding

Two bits in the Receive Control register, control forwarding of PAUSE and MAC control frames to the host. These bits are *Discard PAUSE Frames (DPF)* and *Pass MAC Control Frames (PMCF)*:



- The *DPF* bit controls forwarding of PAUSE packets to the host.
- The *PMCF* bit controls forwarding of non-PAUSE packets to the host.

Note: When flow control reception is disabled (*CTRL.RFCE* = 0b), legacy flow control packets are not recognized and are parsed as regular packets.

Table 3-26 lists the behavior of the *DPF* bit.

Table 3-26. Forwarding of PAUSE Packet to Host (*DPF* Bit)

| RFCE | DPF | Are FC Packets Forwarded to Host? |
|------|-----|--|
| 0 | X | Yes if pass the L2 filters (refer to Section 7.1.1.1). ¹ |
| 1 | 0 | Yes. |
| 1 | 1 | No. |

1. The flow control multicast address is not part of the L2 filtering unless explicitly required.

Table 3-27 defines the behavior of the *PMCF* bit.

Table 3-27. Transfer of Non-PAUSE Control Packets to Host (*PMCF* Bit)

| RFCE | PMCF | Are Non-FC MAC Control Packets Forwarded to Host? |
|------|------|---|
| 0 | X | Yes if pass the L2 filters (refer to Section 7.1.1.1). |
| 1 | 1 | Yes. |
| 1 | 0 | No. |

3.7.5.3 Transmission of PAUSE Frames

The I210 generates PAUSE packets to ensure there is enough space in its receive packet buffers to avoid packet drop. The I210 monitors the fullness of its receive packet buffers and compares it with the contents of a programmable threshold. When the threshold is reached, the I210 sends a PAUSE frame. The I210 supports the sending of link Flow Control (FC).

Note: Similar to receiving link flow control packets previously mentioned, link XOFF packets can be transmitted only if this configuration has been negotiated between the link partners via the auto-negotiation process or some higher level protocol. The setting of this bit by the software device driver indicates the desired configuration.

The transmission of flow control frames should only be enabled in full-duplex mode per the IEEE 802.3 standard. Software should ensure that the transmission of flow control packets is disabled when the I210 is operating in half-duplex mode.

3.7.5.3.1 Operation and Rules

Transmission of link PAUSE frames is enabled by software writing a 1b to the *TFCE* bit in the Device Control register.

The I210 sends a PAUSE frame when Rx packet buffer is full above the high threshold defined in the Flow Control Receive Threshold High (*FCRTO.RTH*) register field. When the threshold is reached, the I210 sends a PAUSE frame with its pause time field equal to *FCTTV*. The threshold should be large enough to overcome the worst case latency from the time that crossing the threshold is sensed until packets are not received from the link partner. The Flow Control Receive Threshold High value should be calculated as follows:



Flow Control Receive Threshold High = Internal Rx Buffer Size - (Threshold Cross to XOFF Transmission + Round-trip Latency + XOFF Reception to Link Partner response)

Parameter values to be used for calculating the *FCRTH0.RTH* value are listed in Table 3-28.

Table 3-28. Flow Control Receive Threshold High (*FCRTH0.RTH*) Value Calculation

| Latency Parameter | Affected by | Parameter Value |
|---|--|--------------------------------------|
| Internal Rx Buffer Size | Internal Tx buffer size. | 60 KB - Internal Tx Buffer Size. |
| Threshold Cross to XOFF Transmission | Max packet size. | Max packet size * 1.25. |
| XOFF Reception to Link Partner response | Max packet size. | Max packet size. |
| Round trip latency | The latencies on the wire and the LAN devices at both sides of the wire. | 320-byte (for 1000Base-T operation). |

Note: When DMA Coalescing is enabled (*DMACR.DMAC_EN* = 1b), the value placed in the *FCRTC.RTH_Coal* field should be equal or lower than:

$$FCRTC.RTH_Coal = FCRTH0.RTH + \text{Max packet size} * 1.25$$

The *FCRTC.RTH_Coal* is used as the high watermark to generate XOFF flow control packets when the internal Tx buffer is empty and the I210 is executing DMA coalescing. In this case, no delay to transmission of flow control packet exists so its possible to increase level of watermark before issuing a XOFF flow control frame.

After transmitting a PAUSE frame, the I210 activates an internal shadow counter that reflects the link partner pause timeout counter. When the counter reaches the value indicated in the FCRTV register, then, if the PAUSE condition is still valid (meaning that the buffer fullness is still above the high watermark), a XOFF message is sent again.

Once the receive buffer fullness reaches the low water mark, the I210 sends a XON message (a PAUSE frame with a timer value of zero). Software enables this capability with the *XONE* field of FCRTL.

The I210 sends an additional PAUSE frame if it has previously sent one and the packet buffer overflows. This is intended to minimize the amount of packets dropped if the first PAUSE frame did not reach its target.

3.7.5.3.2 Software Initiated PAUSE Frame Transmission

The I210 has the added capability to transmit an XOFF frame via software. This is accomplished by software writing a 1b to the *SWXOFF* bit of the Transmit Control register. Once this bit is set, hardware initiates the transmission of a PAUSE frame in a manner similar to that automatically generated by hardware.

The *SWXOFF* bit is self-clearing after the PAUSE frame has been transmitted.

Note: The Flow Control Refresh Threshold mechanism does not work in the case of software-initiated flow control. Therefore, it is the software's responsibility to re-generate PAUSE frames before expiration of the pause counter at the other partner's end.

The state of the *CTRL.TFCE* bit or the negotiated flow control configuration does not affect software generated PAUSE frame transmission.



Note: Software sends an XON frame by programming a 0b in the PAUSE timer field of the FCTTV register. Software generating an XON packet is not allowed while the hardware flow control mechanism is active, as both use the FCTTV registers for different purposes.

XOFF transmission is not supported in 802.3x for half-duplex links. Software should not initiate an XOFF or XON transmission if the I210 is configured for half-duplex operation.

When flow control is disabled, pause packets (XON, XOFF, and other FC) are not detected as flow control packets and can be counted in a variety of counters (such as multicast).

3.7.5.4 IPG Control and Pacing

The I210 supports the following modes of controlling IPG duration:

- Fixed IPG - the IPG is extended by a fixed duration

3.7.5.4.1 Fixed IPG Extension

The I210 allows controlling of the IPG duration. The IPGT configuration field enables an extension of IPG in 4-byte increments. One possible use of this capability is to enable inserting bytes into the transmit packet after it has been transmitted by the I210 without violating the minimum IPG requirements. For example, a security device connected in series to the I210 might add security headers to transmit packets before the packets are transmitted on the network.

3.7.6 Loopback Support

3.7.6.1 General

The I210 supports the following types of internal loopback in the LAN interface:

- MAC Loopback (Point 1)
- PHY Loopback (Point 2)
- SerDes, SGMII or 1000BASE-KX Loopback (Point 3)
- External PHY Loopback (Point 4)

By setting the device to loopback mode, packets that are transmitted towards the line are looped back to the host. The I210 is fully functional in these modes, just not transmitting data over the lines. [Figure 3-12](#) shows the points of loopback.

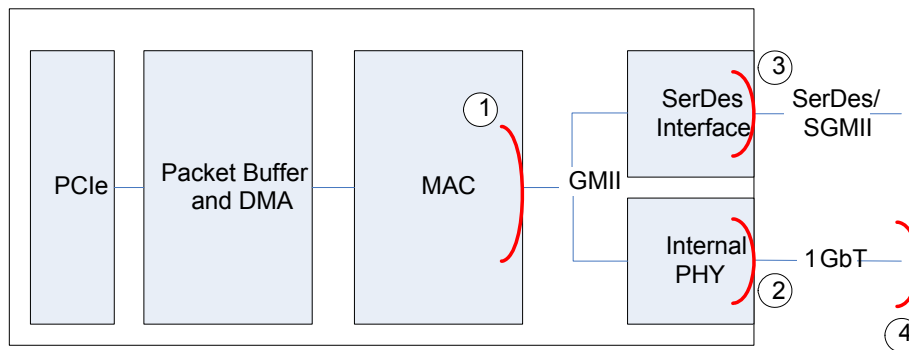


Figure 3-12. I210 Loopback Modes



In addition, The I210's copper PHY support a far end loopback mode, where incoming traffic is reflected at the PHY level onto the transmit wires. This mode is entered by setting bit 14 in PHY register Page 2, Register 21.

3.7.6.2 MAC Loopback

In MAC loopback, the PHY and SerDes blocks are not functional and data is looped back before these blocks.

3.7.6.2.1 Setting the I210 to MAC loopback Mode

The following procedure should be used to put the I210 in MAC loopback mode:

- Set *RCTL.LBM* to 01b (bits 7:6)
- Set *CTRL.SLU* (bit 6, should be set by default)
- Set *CTRL.FRCDPLX* and *FRCDPLX* (bits 11 and 12)
- Set the *CTRL.FD* bit and program the *CTRL.SPEED* field to 10b (1 GbE).
- Set *EEER.EEE_FRC_AN* to 1b to enable checking EEE operation in MAC loopback mode.

Filter configuration and other Tx/Rx processes are the same as in normal mode.

3.7.6.3 Internal PHY Loopback

In PHY loopback, the SerDes block is not functional and data is looped back at the end of the PHY functionality. This means all the design, that is functional in copper mode, is involved in the loopback.

3.7.6.3.1 Setting the I210 to Internal PHY loopback Mode

The following procedure should be used to place the I210 in PHY loopback mode on the LAN port:

- Set Link mode to Internal PHY: *CTRL_EXT.LINK_MODE* = 00b.
- In the PHY control register (*PHYREG 0,0* - Address 0 in the PHY):
 - Set duplex mode (bit 8)
 - Clear auto-negotiation enable bit (bit 12)
 - Set speed using bits 6 and 13. Register values should be:
 - For 10 Mb/s 0x4100
 - For 100 Mb/s 0x6100
 - For 1000 Mb/s 0x4140
 - Use bits 2:0 in *PHYREG 2,21* to control the link speed in MDI loopback
 - reset the PHY – in *PHYREG 0,0* Set Copper Reset bit (bit 15)
 - In *PHYREG 0,0* Set loopback bit (bit 14)

3.7.6.4 SerDes, SGMII and 1000BASE-KX Loopback

In SerDes, SGMII or 1000BASE-KX loopback, the PHY block is not functional and data is looped back at the end of the relevant functionality. This means all designs that are functional in SerDes/SGMII or 1000BASE-KX mode, are involved in the loopback.



Note: SerDes loopback is functional only if the SerDes link is up.

3.7.6.4.1 Setting the I210 to SerDes/1000BASE-BX, SGMII or 1000BASE-KX Loopback Mode

The following procedure should be used to place the I210 in SerDes loopback mode:

- Set Link mode to either SerDes, SGMII or 1000BASE-KX by:
 - 1000BASE-KX: *CTRL_EXT.LINK_MODE* = 01b
 - SGMII: *CTRL_EXT.LINK_MODE* = 10b
 - SerDes/1000BASE-BX: *CTRL_EXT.LINK_MODE* = 11b
- Configure SerDes to loopback: *RCTL.LBM* = 11b
- Move to Force mode by setting the following bits:
 - *CTRL.FD* (CSR 0x0 bit 0) = 1b
 - *CTRL.SLU* (CSR 0x0 bit 6) = 1b
 - *CTRL.RFCE* (CSR 0x0 bit 27) = 0b
 - *CTRL.TFCE* (CSR 0x0 bit 28) = 0b
 - *PCS_LCTL.FORCE_LINK* (CSR 0x4208 bit 5) = 1b
 - *PCS_LCTL.FSD* (CSR 0x4208 bit 4) = 1b
 - *PCS_LCTL.FDV* (CSR 0x4208 bit 3) = 1b
 - *PCS_LCTL.FLV* (CSR 0x4208 bit 0) = 1b
 - *PCS_LCTL.AN_ENABLE* (CSR 0x4208 bit 16) = 0b

3.7.6.5 External PHY Loopback

In external PHY loopback, the SerDes block is not functional and data is sent through the MDI interface and looped back using an external loopback plug. This means that all designs that are functional in copper mode are involved in the loopback. If connected at 10/100 Mb/s, the loopback operates without any special setup. For 1000 Mb/s operation, see the section that follows.

3.7.6.5.1 Setting the I210 Internal PHY to External Loopback Mode

For 1000 Mb/s, the following procedure should be used to put the I210 internal PHY into external loopback mode:

- Set Link mode to PHY: *CTRL_EXT.LINK_MODE* = 00b
- In the PHY control register (Address 0 in the PHY):
 - Set duplex mode (bit 8)
 - Clear loopback bit (bit 14)
 - Set auto-negotiation enable bit (bit 12)
- In the Checker Control (Page 6, PHY Register 18)
 - Set Enable Stub Test (bit 3)
- Restart auto-negotiation (set bit 9)
- Reset the PHY (set bit 15).
- Wait for auto-negotiation to complete, then transmit and receive normally.

3.7.6.6 Line Loopback

In line loopback (Figure 3-13), MAC and SerDes interfaces are not functional and the data is sent from a link partner to the PHY to test transmit and receive data paths. Frames that originate from a link partner are looped back from the PHY and sent out on the wire before reaching the MAC interface pins.

The following should be confirmed before enabling the line loopback feature:

- The PHY must first establish a full-duplex link with another PHY link partner, either through auto-negotiation or through forcing the same link speed.

In order to enable line loopback mode once the link is established, set bit 14 to 1b in the MAC Specific Control Register 2 - Page 2, Register 21 (see Section 8.27.3.27).

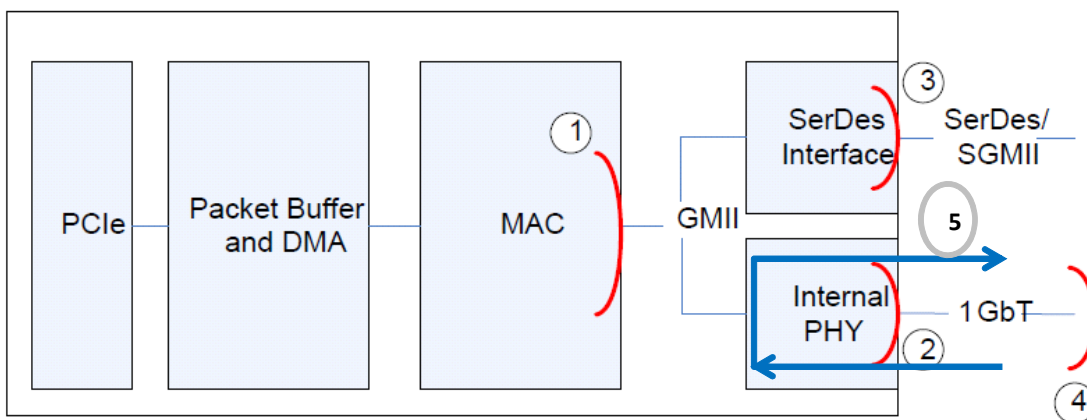


Figure 3-13. Line Loopback

3.7.7 Energy Efficient Ethernet (EEE)

Energy Efficient Ethernet (EEE) Low Power Idle (LPI) mode defined in IEEE802.3az optionally enables power saving by switching off part of the I210 functionality when no data needs to be transmitted or/ and received. The decision as to whether or not the I210 transmit path should enter LPI mode or exit LPI mode is done according to transmit needs. Information as to whether or not a link partner has entered LPI mode is detected by the I210 and is used for power saving in the receive circuitry.

When no data needs to be transmitted, a request to enter transmit LPI is issued on the internal xxMII Tx interface causing the PHY to transmit sleep symbols for a pre-defined period of time followed by a quiet period. During LPI, the PHY periodically transmits refresh symbols that are used by the link partner to update adaptive filters and timing circuits in order to maintain link integrity. This quiet-refresh cycle continues until transmitting normal inter-frame encoding on the internal xxMII interface. The PHY communicates to the link partner the move to active link state by sending wake symbols for a pre-defined period of time. The PHY then enters a normal operating state where data or idle symbols are transmitted.



In the receive direction, entering LPI mode is triggered by receiving sleep symbols from the link partner. This signals that the link partner is about to enter LPI mode. After sending the sleep symbols, the link partner ceases transmission. When a link partner enters LPI, the PHY indicates assert low power idle on the internal xxMII RX interface and the I210’s receiver disables certain functionality to reduce power consumption.

Figure 3-14 shows and Table 3-29 lists the general principles of EEE LPI operation on the Ethernet Link.

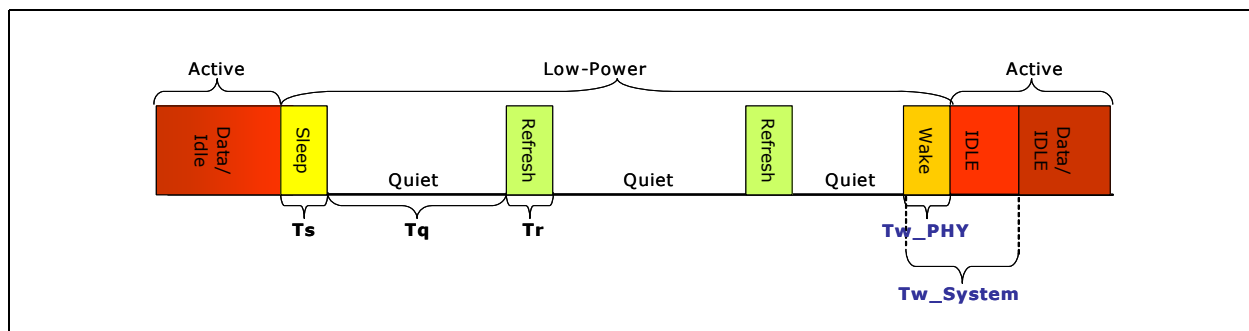


Figure 3-14. Energy Efficient Ethernet Operation

Table 3-29. Energy Efficient Ethernet Parameters

| Parameter | Description |
|---|--|
| Sleep Time (T_s) | Duration PHY sends sleep symbols before going quiet. |
| Quiet Duration (T_q) | Duration PHY remains quiet before it must wake for refresh period. |
| Refresh Duration (T_r) | Duration PHY sends refresh symbols for timing recovery and coefficient synchronization. |
| PHY Wake Time (T_w_PHY) | Minimum duration PHY takes to resume to an active state after decision to wake. |
| Receive System Wake Time ($T_w_System_rx$) | Wait period where no data is expected to be received to give the local receiving system time to wake up. |
| Transmit System Wake Time ($T_w_System_tx$) | Wait period where no data is transmitted to give the remote receiving system time to wake up. |

3.7.7.1 Conditions to Enter EEE Tx LPI

In the transmit direction when the network interface is internal copper PHY ($CTRL_EXT.LINK_MODE = 00b$), entry into to EEE LPI mode of operation is triggered when one of the following conditions exist:

1. No transmission is pending, management does not need to transmit, the internal transmit buffer is empty, and $EEER.TX_LPI_EN$ is set to 1b.
2. If the $EEER.TX_LPI_EN$ and $EEER.LPI_FC$ bits are set to 1b and a XOFF flow control packet is received from the link partner, the I210 moves the link into the Tx LPI state for the pause duration even if a transmission is pending.
3. When $EEER.Force_TLPI$ is set (even if $EEER.TX_LPI_EN$ is cleared).
 - If $EEER.Force_TLPI$ is set in mid-packet, the I210 completes packet transmission and then moves Tx to LPI.
 - Setting the $EEER.Force_TLPI$ bit to 1b only stops transmission of packets from the host. The I210 moves the link out of Tx LPI to transmit packets from management even when $EEER.Force_TLPI$ is set to 1b.



4. When a function enters D3 state and there's no management Tx traffic, internal transmit buffers are empty and *EEER.TX_LPI_EN* is set to 1b.

When one of the previous conditions to enter a Tx LPI state is detected, assert low power idle is transmitted on the internal xxMII interface and the I210 PHY transmits sleep symbols on the network interface to communicate to the link partner entry into Tx LPI link state. After sleep symbols transmission, behavior of the PHY differs according to link speed (100BASE-TX or 1000BASE-T):

1. While in 100BASE-TX mode, the PHY enters low power operation in an asymmetric manner. After sleep symbol transmissions, the PHY immediately enters a low power quiet state.
2. While in 1000BASE-T mode, the PHY entry into a quiet state is symmetric. Only after the PHY transmits sleep symbols and receives sleep symbols from the remote PHY does the PHY enter the quiet state.

After entering a quiet link state, the PHY periodically transitions between quiet link state, where link is idle, to sending refresh symbols until a request to transition the link back to normal (active) mode is transmitted on the internal xxMII TX interface (see [Figure 3-14](#)).

Note: MAC entry into Tx LPI state is always asymmetric (in both 100BASE-TX and 1000BASE-T PHY operating modes).

3.7.7.2 Exit of TX LPI to Active Link State

The I210 exits Tx LPI link state and transition link into active link state when none of the conditions defined in [Section 3.7.7.1](#) exist. To transition into active link state, the I210 transmits:

1. Normal inter-frame encoding on the internal xxMII TX interface for a pre-defined link rate dependant period time of *Tw_sys_tx-min*. As a result, PHY transmits wake symbols for a *Tw_phy* duration followed by idle symbols.
2. If the *Tw_System_tx* duration defined in the *EEER.Tw_system* field is longer than *Tw_sys_tx-min*, the I210 continues transmitting the inter-frame encoding on the internal xxMII interface until the time defined in the *EEER.Tw_system* field has expired, before transmitting the actual data. During this period the PHY continues transmitting idle symbols.

Note: When moving out of Tx LPI to transmit a 802.3x flow control frame the I210 waits only the *Tw_sys_tx-min* duration before transmitting the flow control frame. It should be noted that even in this scenario, actual data is transmitted only after the *Tw_System_tx* time defined in the *EEER.Tw_system* field has expired.

3.7.7.3 EEE Auto-Negotiation

Auto-negotiation provides the capability to negotiate EEE capabilities with the link partner using the next page mechanism defined in IEEE802.3 Annex 28C. IEEE802.3 auto-negotiation is performed at power up, on command from software, upon detection of a PHY error or following link re-connection.

During the link establishment process, both link partners indicate their EEE capabilities via the IEEE802.3 auto-negotiation process. If EEE is supported by both link partners for the negotiated PHY type then the EEE function can be used independently in either direction.

When operating in internal PHY mode (*CTRL_EXT.LINK_MODE = 00b*), the I210 supports EEE auto-negotiation. EEE capabilities advertised during auto-negotiation can be modified via the *EEE advertisement* field in the internal PHY (refer to [Section 8.27.3.15](#)) or via the *EEER.EEE_1G_AN* and *EEER.EEE_100M_AN* bits.



3.7.7.4 EEE Link Level (LLDP) Capabilities Discovery

When operating in internal PHY mode (*CTRL_EXT.LINK_MODE* = 00b), the I210 supports LLDP negotiation via software, using the EEE IEEE802.1AB Link Layer Discovery Protocol (LLDP) Type, Length, Value (TLV) fields defined in IEEE802.3az clause 78 and clause 79. LLDP negotiation enables negotiation of increased system wake time (Transmit T_w and Receive T_w) to enable improving system energy efficiency.

After software negotiates a new system wake time via EEE LLDP negotiation, software should update the:

1. *EEER.Tw_system* field with the negotiated Transmit T_w time value, to increase the duration where idle symbols are transmitted following move out of EEE Tx LPI state before actual data can be transmitted.
 - Value placed in *EEER.Tw_system* field does not affect transmission of flow control packets. Depending on the technology (100BASE-TX or 1000BASE-T) flow control packet transmission is delayed following move out of EEE TX LPI state only by the minimum *Tw_sys_tx* time as defined in IEEE802.3az clause 78.5.
2. The *LTRMAXV* register with a value:

$$LTRMINV = < LTRMAXV <= LTRMINV + \text{negotiated Receive } T_w \text{ Time.}$$

3. Set *LTRC.EEEMS_EN* bit to 1b (if bit was cleared), so that on detection of EEE RX LPI on the network an updated LTR message with the value programmed in the *LTRMAXV* register is sent on the PCIe interface.
4. Set *EEER.TX_LPI_EN* bit to 1b (if bit was cleared), to enable entry into EEE LPI on Tx path.

Set *EEER.RX_LPI_EN* bit to 1b (if bit was cleared), to enable detection of link partner entering EEE LPI state on Rx path. Once the *LTRC.EEEMS_EN* bit is set and a port detects link partner entry into the EEE LPI state on the internal xxMII RX interface, the port increases its reported latency tolerance to the value programmed in the *LTRMAXV* register. On detection of the Rx EEE LPI state, an updated LTR message is sent on the PCIe interface.

When wake symbols are detected on the Ethernet link, due to a link partner moving out of EEE Rx LPI state, the port reports a reduced latency tolerance that equals the value placed in the *LTRMINV* register and the I210 sends on the PCIe interface a new LTR message with a reduced latency tolerance value of *LTRMINV*.

Note: If link is disconnected or auto-negotiation is re-initiated, then the *LTRC.EEEMS_EN* bit is cleared by hardware. The bit should be set to 1b by software following re-execution of an EEE LLDP negotiation.

Figure 3-15 shows the format of the EEE TLV, meaning of the various TLV parameters can be found in IEEE802.3az clause 78 and clause 79.

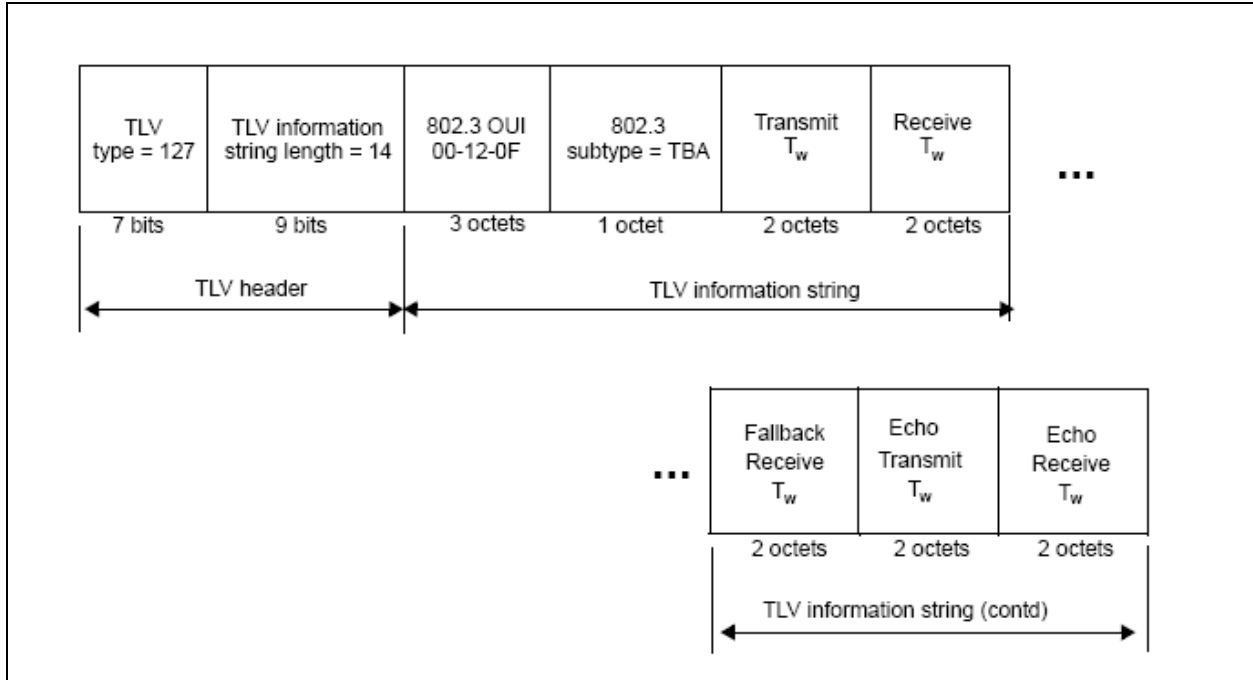


Figure 3-15. EEE LLDP TLV

3.7.7.5 Programming the I210 for EEE Operation

To activate EEE support when operating in internal PHY mode ($CTRL_EXT.LINK_MODE = 00b$), software should program the following fields to enable EEE on the LAN port:

1. IPCNFG register (refer to [Section 8.27.1](#)) if default EEE advertised auto-negotiation values need to be modified.
2. Set the $EEER.TX_LPI_EN$ and $EEER.RX_LPI_EN$ bits (refer to [Section 8.25.12](#)) to 1b to enable EEE LPI support on Tx and Rx paths, respectively, if the result of auto-negotiation at the specified link speed enables entry to LPI.
3. Set the $EEER.LPI_FC$ bit (refer to [Section 8.25.12](#)) if required to enable a move into the EEE Tx LPI state for the pause duration when a link partner sends a XOFF flow control packet even if internal transmit buffer is not empty and transmit descriptors are available.
4. Update $EEER.Tw_system$ field (refer to [Section 8.25.12](#)) with the new negotiated transmit T_w time after completing EEE LLDP negotiation.
5. Following the EEE LLDP negotiation program, the LTRMAXV register (refer to [Section 8.25.10](#)) with a value of:

$$LTRMINV = < LTRMAXV <= LTRMINV + \text{negotiated Receive } T_w \text{ Time.}$$

6. Set the $LTRC.EEEMS_EN$ bit to 1b, to enable sending an updated PCIe LTR message when detecting a link partner entry into EEE Rx LPI state.

Notes:



1. The *LTRC.EEEMS_EN* bit is cleared following link disconnect or auto-negotiation and should be set to 1b by software following EEE LLDP re-negotiation.
2. The I210 waits for at least 1 second following auto-negotiation (due to reset, link disconnect, or link speed change) and link-up indication (*STATUS.LU* set to 1b, refer to [Section 8.2.2](#)) before enabling link entry into EEE Tx LPI state to comply with the IEEE802.3az specification.

3.7.7.5.1 PHY Programming for EEE Operation with Cables > 130m

When working with cables long by 130 meters and beyond, it is recommended that the following PHY register settings be applied by host to improve EEE interoperability with third part vendors:

1. Reg 22 = 0x00FF
2. Reg 17 = 0x0048
3. Reg16 = 0X215D
4. Reg 17 = 0x0027
5. Reg16 = 0X2150
6. Reg 17 = 0xDC0C
7. Reg16 = 0X2159
8. Reg 17 = 0xA42B
9. Reg16 = 0X2151
10. Reg 17 = 0x3024
11. Reg16 = 0X215C
12. Reg 22 = 0x00FC
13. Reg 24 = 0x888E
14. Reg 25 = 0x888E
15. Reg 1 = 0x20B0

These settings can be applied before the link is up when EEE is enabled.

3.7.7.6 EEE Statistics

The I210 supports reporting the number of EEE LPI Tx and Rx events via the RLPIC and TLPIC registers.

3.7.8 Integrated Copper PHY Functionality

The register set used to control the PHY functionality (PHYREG) is described in [Section 8.27.3](#). the registers can be programmed using the MDIC register (refer to [Section 8.2.4](#)).

3.7.8.1 Determining Link State

The PHY and its link partner determine the type of link established through one of three methods:

- Auto-negotiation
- Parallel detection
- Forced operation

Auto-negotiation is the only method allowed by the 802.3ab standard for establishing a 1000BASE-T link, although forced operation could be used for test purposes. For 10/100 links, any of the three methods can be used. The following sections discuss each in greater detail.

Figure 3-16 provides an overview of link establishment. First the PHY checks if auto-negotiation is enabled. By default, the PHY supports auto-negotiation, see PHY Register 0, bit 12. If not, the PHY forces operation as directed. If auto-negotiation is enabled, the PHY begins transmitting Fast Link Pulses (FLPs) and receiving FLPs from its link partner. If FLPs are received by the PHY, auto-negotiation proceeds. It also can receive 100BASE-TX MLT3 and 10BASE-T Normal Link Pulses (NLPs). If either MLT3 or NLPs are received, it aborts FLP transmission and immediately brings up the corresponding half-duplex link.

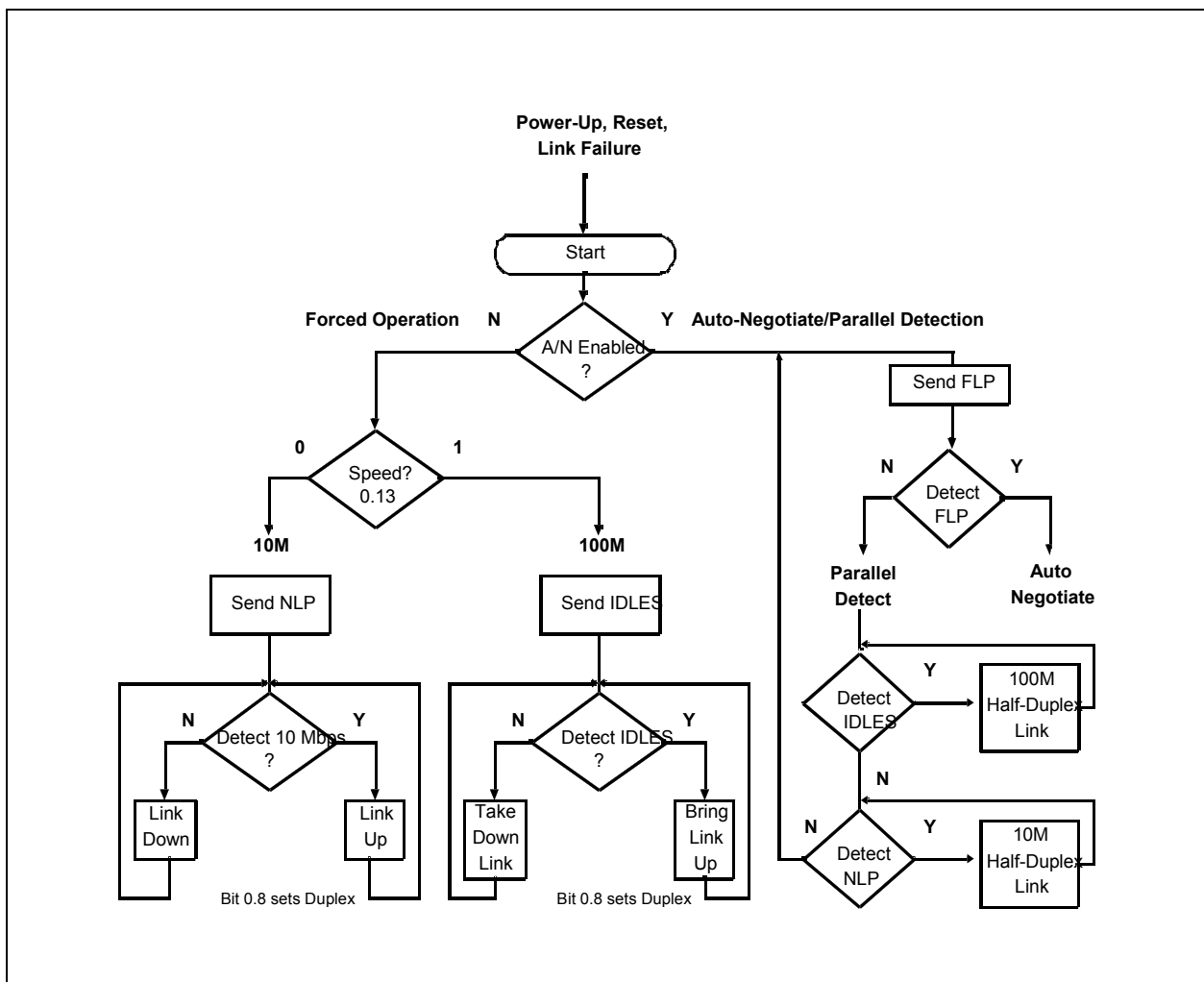


Figure 3-16. Overview of Link Establishment

3.7.8.1.1 False Link



The PHY does not falsely establish link with a partner operating at a different speed. For example, the PHY does not establish a 1 Gb/s or 10 Mb/s link with a 100 Mb/s link partner.

When the PHY is first powered on, reset, or encounters a link down state; it must determine the line speed and operating conditions to use for the network link.

The PHY first checks the MDIO registers (initialized via the hardware control interface or written by software) for operating instructions. Using these mechanisms, designers can command the PHY to do one of the following:

- Force twisted-pair link operation to:
 - 1000T, full duplex
 - 1000T, half duplex
 - 100TX, full duplex
 - 100TX, half duplex
 - 10BASE-T, full duplex
 - 10BASE-T, half duplex
- Allow auto-negotiation/parallel-detection.

In the first six cases (forced operation), the PHY immediately begins operating the network interface as commanded. In the last case, the PHY begins the auto-negotiation/parallel-detection process.

3.7.8.1.2 Forced Operation

Forced operation can be used to establish 10 Mb/s and 100 Mb/s links, and 1000 Mb/s links for test purposes. In this method, auto-negotiation is disabled completely and the link state of the PHY is determined by MII Register 0.

In forced operation, the designer sets the link speed (10, 100, or 1000 MB/s) and duplex state (full or half). For GbE (1000 MB/s) links, designers must explicitly designate one side as the master and the other as the slave.

Note: The paradox (per the standard): If one side of the link is forced to full-duplex operation and the other side has auto-negotiation enabled, the auto-negotiating partner parallel-detects to a half-duplex link while the forced side operates as directed in full-duplex mode. The result is spurious, unexpected collisions on the side configured to auto-negotiate.

Table 3-30 lists link establishment procedures.

Table 3-30. Determining Duplex State Via Parallel Detection

| Configuration | Result |
|---|---|
| Both sides set for auto-negotiate | Link is established via auto-negotiation. |
| Both sides set for forced operation | No problem as long as duplex settings match. |
| One side set for auto-negotiation and the other for forced, half-duplex | Link is established via parallel detect. |
| One side set for auto-negotiation and the other for forced full-duplex | Link is established; however, sides disagree, resulting in transmission problems (Forced side is full-duplex, auto-negotiation side is half-duplex.). |

3.7.8.1.3 Auto Negotiation



The PHY supports the IEEE 802.3u auto-negotiation scheme with next page capability. Next page exchange uses Register 7 to send information and Register 8 to receive them. Next page exchange can only occur if both ends of the link advertise their ability to exchange next pages.

3.7.8.1.4 Parallel Detection

Parallel detection can only be used to establish 10 and 100 Mb/s links. It occurs when the PHY tries to negotiate (transmit FLPs to its link partner), but instead of sensing FLPs from the link partner, it senses 100BASE-TX MLT3 code or 10BASE-T Normal Link Pulses (NLPs) instead. In this case, the PHY immediately stops auto-negotiation (terminates transmission of FLPs) and immediately brings up whatever link corresponds to what it has sensed (MLT3 or NLPs). If the PHY senses both technologies, the parallel detection fault is detected and the PHY continues sending FLPs.

With parallel detection, it is impossible to determine the true duplex state of the link partner and the IEEE standard requires the PHY to assume a half-duplex link. Parallel detection also does not allow exchange of flow-control ability (PAUSE and ASM_DIR) or the master/slave relationship required by 1000BASE-T. This is why parallel detection cannot be used to establish GbE links.

3.7.8.1.5 Auto Cross-Over

Twisted pair Ethernet PHY's must be correctly configured for MDI or MDI-X operation to inter operate. This has historically been accomplished using special patch cables, magnetics pinouts or Printed Circuit Board (PCB) wiring. The PHY supports the automatic MDI/MDI-X configuration originally developed for 1000Base-T and standardized in IEEE 802.3u section 40. Manual (non-automatic) configuration is still possible.

For 1000BASE-T links, pair identification is determined automatically in accordance with the standard.

For 10/100/1000 Mb/s links and during auto-negotiation, pair usage is determined by bits 4 and 5 in PHYREG 0,21. The PHY activates an automatic cross-over detection function if enabled via bit 0 in IPCNFG (also see bits 5 and 6 in PHYREG 0,16). When in this mode, the PHY automatically detects which application is being used and configures itself accordingly.

The automatic MDI/MDI-X state machine facilitates switching the MDI_PLUS[0] and MDI_MINUS[0] signals with the MDI_PLUS[1] and MDI_MINUS[1] signals, respectively, prior to the auto-negotiation mode of operation so that FLPs can be transmitted and received in compliance with Clause 28 auto-negotiation specifications. An algorithm that controls the switching function determines the correct polarization of the cross-over circuit. This algorithm uses an 11-Bit Linear Feedback Shift Register (LFSR) to create a pseudo-random sequence that each end of the link uses to determine its proposed configuration. After making the selection to either MDI or MDI-X, the node waits for a specified amount of time while evaluating its receive channel to determine whether the other end of the link is sending link pulses or PHY-dependent data. If link pulses or PHY-dependent data are detected, it remains in that



configuration. If link pulses or PHY-dependent data are not detected, it increments its LFSR and makes a decision to switch based on the value of the next bit. The state machine does not move from one state to another while link pulses are being transmitted.

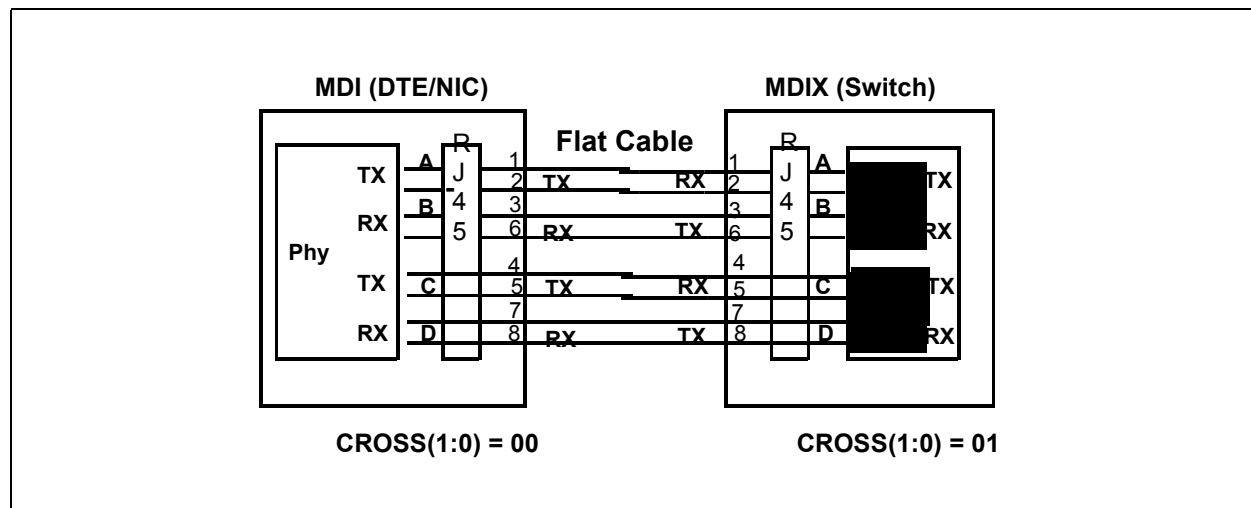


Figure 3-17. Cross-Over Function

3.7.8.1.6 10/100 MB/s Mismatch Resolution

It is a common occurrence that a link partner (such as a switch) is configured for forced full-duplex (FDX) 10/100 Mb/s operation. The normal auto-negotiation sequence would result in the other end settling for half-duplex (HDX) 10/100 Mb/s operation. The mechanism described in this section resolves the mismatch automatically and transitions the I210 into FDX mode, enabling it to operate with a partner configured for FDX operation.

The I210 enables the system software device driver to detect the mismatch event previously described and sets its duplex mode to the appropriate value without a need to go through another auto-negotiation sequence or breaking link. Once software detects a possible mismatch, it might instruct the I210 to change its duplex setting to either HDX or FDX mode. Software sets the *Duplex_manual_set* bit to indicate that duplex setting should be changed to the value indicated by the *Duplex Mode* bit in PHY Register 0. Any change in the value of the *Duplex Mode* bit in PHY Register 0 while the *Duplex_manual_set* bit is set to 1b would also cause a change in the device duplex setting.

The *Duplex_manual_set* bit is cleared on all PHY resets, following auto-negotiation, and when the link goes down. Software might track the change in duplex through the PHY *Duplex Mode* bit in Register 17 or a MAC indication.

3.7.8.1.7 Link Criteria

Once the link state is determined-via auto-negotiation, parallel detection or forced operation, the PHY and its link partner bring up the link.

3.7.8.1.7.1 1000BASE-T

For 1000BASE-T links, the PHY and its link partner enter a training phase. They exchange idle symbols and use the information gained to set their adaptive filter coefficients. These coefficients are used to equalize the incoming signal, as well as eliminate signal impairments such as echo and cross talk.



Either side indicates completion of the training phase to its link partner by changing the encoding of the idle symbols it transmits. When both sides so indicate, the link is up. Each side continues sending idle symbols each time it has no data to transmit. The link is maintained as long as valid idle, data, or carrier extension symbols are received.

3.7.8.1.7.2 100BASE-TX

For 100BASE-TX links, the PHY and its link partner immediately begin transmitting idle symbols. Each side continues sending idle symbols each time it has no data to transmit. The link is maintained as long as valid idle symbols or data is received.

In 100 Mb/s mode, the PHY establishes a link each time the scrambler becomes locked and remains locked for approximately 50 ms. Link remains up unless the descrambler receives less than 12 consecutive idle symbols in any 2 ms period. This provides for a very robust operation, essentially filtering out any small noise hits that might otherwise disrupt the link.

3.7.8.1.7.3 10BASE-T

For 10BASE-T links, the PHY and its link partner begin exchanging Normal Link Pulses (NLPs). The PHY transmits an NLP every 16 ms and expects to receive one every 10 to 20 ms. The link is maintained as long as normal link pulses are received.

In 10 Mb/s mode, the PHY establishes link based on the link state machine found in 802.3, clause 14.

Note: 100 Mb/s idle patterns do not bring up a 10 Mb/s link.

3.7.8.2 SmartSpeed

SmartSpeed is an enhancement to auto-negotiation that enables the PHY to react intelligently to network conditions that prohibit establishment of a 1000BASE-T link, such as cable problems. Such problems might allow auto-negotiation to complete, but then inhibit completion of the training phase. Normally, if a 1000BASE-T link fails, the PHY returns to the auto-negotiation state with the same speed settings indefinitely. With SmartSpeed enabled by setting the *Downshift Enable* field (bit 11 - refer to [Section 8.27.3.15](#)), after a configurable number of failed attempts, as configured in the *Downshift counter* field (bits 14:12 - refer to [Section 8.27.3.15](#)) the PHY automatically downgrades the highest ability it advertises to the next lower speed: from 1000 to 100 to 10 Mb/s. Once a link is established, and if it is later broken, the PHY automatically upgrades the capabilities advertised to the original setting. This enables the PHY to automatically recover once the cable plant is repaired.

3.7.8.2.1 Using SmartSpeed

When SmartSpeed downgrades the PHY advertised capabilities, it sets bit *Downshift Status* (bit 5 - refer to [Section 8.27.3.16](#)). When link is established, its speed is indicated in the *Speed* field (bits 15:14 - refer to [Section 8.27.3.16](#)). SmartSpeed automatically resets the highest-level auto-negotiation abilities advertised, if link is established and then lost.

Note: SmartSpeed and Master-Slave (M/S) fault - When SmartSpeed is enabled, the M/S number of Attempts Before Downshift (ABD) is programmed to be less than 7, resolution is not given seven attempts to try to resolve M/S status (see IEEE 802.3 clause 40.5.2).

Time To Link (TTL) with Smart Speed - in most cases, any attempt duration is approximately 2.5 seconds, in other cases it could take more than 2.5 seconds depending on configuration and other factors.



3.7.8.3 Flow Control

Flow control is a function that is described in Clause 31 of the IEEE 802.3 standard. It enables congested nodes to pause traffic. Flow control is essentially a MAC-to-MAC function. MACs indicate their ability to implement flow control during auto-negotiation. This ability is communicated through two bits in the auto-negotiation registers (*PHYREG 0,4.10* and *PHYREG 0,4.11*).

The PHY transparently supports MAC-to-MAC advertisement of flow control through its auto-negotiation process. Prior to auto-negotiation, the MAC indicates its flow control capabilities via *PHYREG 0,4.10* (Pause) and *PHYREG 0,4.11* (*ASM_DIR*). After auto-negotiation, the link partner's flow control capabilities are indicated in *PHYREG 0,5.10* and *PHYREG 0,5.11*.

There are two forms of flow control that can be established via auto-negotiation: symmetric and asymmetric. Symmetric flow control is for point-to-point links; asymmetric for hub-to-end-node connections. Symmetric flow control enables either node to flow-control the other. Asymmetric flow-control enables a repeater or switch to flow-control a DTE, but not vice versa.

Table 3-31 lists the intended operation for the various settings of *ASM_DIR* and *PAUSE*. This information is provided for reference only; it is the responsibility of the MAC to implement the correct function. The PHY merely enables the two MACs to communicate their abilities to each other.

Table 3-31. Pause And Asymmetric Pause Settings

| ASM_DIR Settings Local (PHYREG 0,4.10) and Remote (PHYREG 0,5.10) | Pause Setting - Local (PHYREG 0,4.11) | Pause Setting - Remote (PHYREG 0,5.11) | Result |
|--|--|---|---|
| Both ASM_DIR = 1b | 1b | 1b | Symmetric - Either side can flow control the other. |
| | 1b | 0b | Asymmetric - Remote can flow control local only. |
| | 0b | 1b | Asymmetric - Local can flow control remote. |
| | 0b | 0b | No flow control. |
| Either or both ASM_DIR = 0b | 1b | 1b | Symmetric - Either side can flow control the other. |
| | Either or both = 0b | | No flow control. |

3.7.8.4 Management Data Interface

The PHY supports the IEEE 802.3 MII Management Interface also known as the Management Data Input/Output (MDIO) Interface. This interface enables upper-layer devices to monitor and control the state of the PHY. The MDIO interface consists of a physical connection, a specific protocol that runs across the connection, and an internal set of addressable registers.

The PHY supports the core 16-bit MDIO registers. Registers 0-10 and 15 are required and their functions are specified by the IEEE 802.3 specification. Additional registers are included for expanded functionality. Specific bits in the registers are referenced using an PHY REG X.Y notation, where X is the register number (0-31) and Y is the bit number (0-15).

3.7.8.5 Internal PHY Low Power Operation and Power Management

The internal PHY incorporates numerous features to maintain the lowest power possible.

The PHY can be entered into a low-power state according to MAC control (Power Management controls) or via PHY Register 0. In either power down mode, the PHY is not capable of receiving or transmitting packets.



3.7.8.5.1 Power Down via the PHY Register

The PHY can be powered down using the control bit found in *PHYREG 0,0.11*. This bit powers down a significant portion of the port but clocks to the register section remain active. This enables the PHY management interface to remain active during register power down. The power down bit is active high. When the PHY exits software power-down (*PHYREG 0,0.11* = 0b), it re-initializes all analog functions, but retains its previous configuration settings.

3.7.8.5.2 Power Management State

The internal PHY is aware of the power management state. If the PHY is not in a power down state, then PHY behavior regarding several features are different depending on the power state, refer to [Section 3.7.8.5.4](#).

3.7.8.5.3 Disable High Speed Power Saving Options

The I210 supports disabling 1000 Mb/s or both 1000 Mb/s and 100 Mb/s advertisement by the internal PHY regardless of the values programmed in the PHY ANA Register (address - 4d) and the PHY GCON Register (address - 9d).

This is for cases where the system doesn't support working in 1000 Mb/s or 100 Mb/s due to power limitations.

This option is enabled in the following *PHPM* register bits:

- *PHPM.Disable 1000 in non-D0a* - disable 1000 Mb/s when in non-D0a states only.
- *PHPM.Disable 100 in non-D0a* - disable 1000 Mb/s and 100 Mb/s when in non-D0a states only.
- *PHPM.Disable 1000* - disable 1000 Mb/s always.

Note: When Value of *PHPM.Disable 1000* bit is changed, PHY initiates auto-negotiation without direct driver command.

3.7.8.5.4 Low Power Link Up - Link Speed Control

Normal internal PHY speed negotiation drives to establish a link at the highest possible speed. The I210 supports an additional mode of operation, where the PHY drives to establish a link at a low speed. The link-up process enables a link to come up at the lowest possible speed in cases where power is more important than performance. Different behavior is defined for the D0 state and the other non-D0 states.



Table 3-32 lists link speed as function of power management state, link speed control, and GbE speed enabling:

Table 3-32. Link Speed vs. Power State

| Power Management State | Low Power Link Up (PHPM.1, PHPM.2) | GbE Disable Bits | | 100M Disable Bit | PHY Speed Negotiation |
|------------------------|------------------------------------|-----------------------|----------------------------------|---------------------------------|---|
| | | Disable 1000 (PHPM.6) | Disable 1000 in non-D0a (PHPM.3) | Disable 100 in non-D0a (PHPM.9) | |
| D0a | 0, Xb | 0b | X | X | PHY negotiates to highest speed advertised (normal operation). |
| | | 1b | X | X | PHY negotiates to highest speed advertised (normal operation), excluding 1000 Mb/s. |
| | 1, Xb | 0b | X | X | PHY goes through Low Power Link Up (LPLU) procedure, starting with advertised values. |
| | | 1b | X | X | PHY goes through LPLU procedure, starting with advertised values. Does not advertise 1000 Mb/s. |
| Non-D0a | X, 0b | 0b | 0b | 0b | PHY negotiates to highest speed advertised. |
| | | 0b | 1b | 0b | PHY negotiates to highest speed advertised, excluding 1000 Mb/s. |
| | | 1b | X | 0b | |
| | | X | X | 1b | PHY negotiates and advertises only 10 Mb/s |
| | X, 1b | 0b | 0b | 0b | PHY goes through LPLU procedure, starting at 10 Mb/s. |
| | | 0b | 1b | 0b | PHY goes through LPLU procedure, starting at 10 Mb/s. Does not advertise 1000 Mb/s. |
| | | X | X | 1b | PHY negotiates and advertises only 10 Mb/s |

The internal PHY initiates auto-negotiation without a direct driver command in the following cases:

- When the *PHPM.Disable 1000 in non-D0a* bit is set and 1000 Mb/s is disabled on D3 or Dr entry (but not in D0a), the PHY auto-negotiates on entry.
- When the *PHPM.Disable 100 in non-D0a* is set and 1000 Mb/s and 100 Mb/s are disabled on D3 or Dr entry (but not in D0a), the PHY auto-negotiates on entry.
- When *PHPM.LPLU* changes state with a change in a power management state. For example, on transition from D0a without *PHPM.LPLU* to D3 with *PHPM.LPLU*. Or, on transition from D3 with *PHPM.LPLU* to D0 without *LPLU*.
- On a transition from D0a state to a non-D0a state, or from a non-D0a state to D0a state, and *PHPM.LPLU* is set.

Notes:

- The Low-Power Link-Up (LPLU) feature previously described should be disabled (in both D0a state and non-D0a states) when the intended advertisement is anything other than 10 Mb/s only, 10/100 Mb/s only, or 10/100/1000 Mb/s. This is to avoid reaching (through the LPLU procedure) a link speed that is not advertised by the user.
- When the LAN PCIe function is disabled via the *LAN_PCI_DIS* bit in the Software Defined Pins Control Flash word, the relevant function is in a Non-D0a state. As a result, management might operate with reduced link speed if the *LPLU*, *Disable 1000 in Non-D0a* or *Disable 100 in Non-D0a* Flash bits are set and the *MANC.Keep_PHY_Link_Up* bit (also known as “Veto bit”) is cleared.
- When the *Keep_PHY_Link_Up* bit (also known as veto bit) in the MANC register is set, The PHY does not change its link speed as a result of a change in the device power state (such as move to D3).



3.7.8.5.4.1 D0a State

A power-managed link speed control lowers link speed (and power) when highest link performance is not required. When enabled (D0 Low Power Link Up mode), any link negotiation tries to establish a low-link speed, starting with an initial advertisement defined by software.

The D0LPLU configuration bit enables *D0 Low Power Link Up*. Before enabling this feature, software must advertise to one of the following speed combinations: 10 Mb/s only, 10/100 Mb/s only, or 10/100/1000 Mb/s.

When speed negotiation starts, the PHY tries to negotiate at a speed based on the currently advertised values. If link establishment fails, the PHY tries to negotiate with different speeds; it enables all speeds up to the lowest speed supported by the partner. For example, PHY advertises 10 Mb/s only, and the partner supports 1000 Mb/s only. After the first try fails, the PHY enables 10/100/1000 Mb/s and tries again. The PHY continues to try and establish a link until it succeeds or until it is instructed otherwise. In the second step (adjusting to partner speed), the PHY also enables parallel detect, if needed. Automatic MDI/MDI-X resolution is done during the first auto-negotiation stage.

3.7.8.5.4.2 Non-D0a State

The PHY might negotiate to a low speed while in non-D0a states (Dr, D0u, D3). This applies only when the link is required by one of the following: Manageability, APM Wake, or PME. Otherwise, the PHY is disabled during the non-D0 state.

The *Low Power on Link-Up* (register *PHPM.LPLU*, is also loaded from Flash) bit enables reduction in link speed:

- At power-up entry to Dr state, the PHY advertises supports for 10 Mb/s only and goes through the link up process.
- At any entry to a non-D0a state (Dr, D0u, D3), the PHY advertises support for 10 Mb/s only and goes through the link up process.
- While in a non-D0 state, if auto-negotiation is required, the PHY advertises support for 10 Mb/s only and goes through the link up process.

Link negotiation begins with the PHY trying to negotiate at 10 Mb/s speed only regardless of user auto-negotiation advertisement. If link establishment fails, the PHY tries to negotiate at additional speeds; it enables all speeds up to the lowest speed supported by the partner. For example, the PHY advertises 10 Mb/s only and the partner supports 1000 Mb/s only. After the first try fails, PHY enables 10/100/1000 Mb/s and tries again. The PHY continues to try and establish a link until it succeeds or until it is instructed otherwise. In the second step (adjusting to partner speed), the PHY also enables parallel detect, if needed. Automatic MDI/MDI-X resolution is done during the first auto-negotiation stage.

3.7.8.5.5 Internal PHY Smart Power-Down (SPD)

SPD is a link-disconnect capability applicable to all power management states. SPD combines a power saving mechanism with the fact that the link might disappear and resume.

SPD is enabled by *PHPM.SPD_EN* or by *SPD Enable* bit in the Flash if the following conditions are met:

1. Auto-negotiation is enabled.
2. PHY detects link loss.

While in SPD, the PHY powers down circuits and clocks that are not required for detection of link activity. The PHY is still be able to detect link pulses (including parallel detect) and wake-up to engage in link negotiation. The PHY does not send link pulses (NLP) while in SPD state; however, register accesses are still possible.



When the internal PHY is in SPD and detects link activity, it re-negotiates link speed based on the power state and the *Low Power Link Up* bits as defined by the *PHPM.D0LPLU* and *PHPM.LPLU* bits.

Note: The PHY does not enter SPD unless auto-negotiation is enabled.

While in SPD, the PHY powers down all circuits not required for detection of link activity. The PHY must still be able to detect link pulses (including parallel detect) and wake up to engage in link negotiation. The PHY does not send link pulses (NLP) while in SPD.

Notes: While in the link-disconnect state, the PHY must allow software access to its registers.

The link-disconnect state applies to all power management states (Dr, D0u, D0a, D3).

The link might change status, that is go up or go down, while in any of these states.

3.7.8.5.5.1 Internal PHY Back-to-Back SPD

While in link disconnect, the I210 monitors the link for link pulses to identify when a link is re-connected. The I210 also periodically transmits pulses (every second) to resolve the case of two I210 devices (or devices with I210-like behavior) connected to each other across the link. Otherwise, two such devices might be locked in SPD, not capable of identifying that a link was re-connected.

Back-to-back SPD is enabled by the *SPD_B2B_EN* bit in the PHPM register. The default value is enabled. The *Enable* bit applies to SPD.

Note: This bit should not be altered by software once the I210 was set in SPD. If software requires changing the back-to-back status, it first needs to transition the PHY out of SPD and only then change the back-to-back bit to the required state.

3.7.8.5.6 Internal PHY Link Energy Detect

The I210 asserts the *Link Energy Detect* bit (*PHPM.Link Energy Detect*) each time energy is not detected on the link. This bit provides an indication of a cable becoming plugged or unplugged.

This bit is valid only if *PHPM.Go Link disconnect* is set to 1b.

In order to correctly deduce that there is no energy, the bit must read 0b for three consecutive reads each second.

3.7.8.5.7 Internal PHY Power-Down State

The I210 port enters a power-down state when the port's clients are disabled and therefore the internal PHY has no need to maintain a link. This can happen in one of the following cases:

1. **D3/Dr state** - Internal PHY enters a low-power state if the following conditions are met:
 - a. The LAN function is in a non-D0 state
 - b. APM WOL is inactive
 - c. Manageability doesn't use this port.
 - d. ACPI PME is disabled for this port.
 - e. The *Dynamic Device Off Enable* Flash bit is set (word 0x1E.14)
 - f. *WUC.PPROXYE* and *MANC.MPROXYE* bits are set to 1b
2. **SerDes mode** - Internal PHY is disabled when its LAN function is configured to SerDes mode.
3. **Device off mode** - Internal PHY can be disabled if the DEV_OFF_N pin is asserted. Since the PHY is shared between the LAN function and manageability, it might not be desirable to power down the



PHY in Device Disable mode. The *PHY_in_LAN_Disable* Flash bit determines whether the PHY (and MAC) are powered down when the DEV_OFF_N pin is asserted. The default is not to power down.

Note: If the *LPLU, Disable 1000 in Non-D0a* or the *Disable 100 in Non-D0a* Flash bits are set and the *MANC.Keep_PHY_Link_Up* bit (Veto bit) is cleared, Management may operate with reduced link speed since the function is in a Non-D0a (uninitialized) state.

3.7.8.6 Advanced Diagnostics

The I210 integrated PHY incorporates hardware support for advanced diagnostics.

The hardware support enables output of internal PHY data to host memory for post processing by the software device driver.

The current diagnostics supported are described in the sections that follow.

3.7.8.6.1 Time Domain Reflectometry (TDR)

By sending a pulse onto the twisted pair and observing the returned signal, the following can be deduced:

1. Is there a short?
2. Is there an open?
3. Is there an impedance mismatch?
4. What is the length to any of these faults?

3.7.8.6.2 Channel Frequency Response

By doing analysis on the Tx and Rx data, it can be established that a channel's frequency response (also known as insertion loss) can determine if the channel is within specification limits. (Clause 40.7.2.1 in IEEE 802.3).

3.7.8.7 1000 Mb/s Operation

3.7.8.7.1 Introduction

Figure 3-18 shows an overview of 1000BASE-T functions, followed by discussion and review of the internal functional blocks.

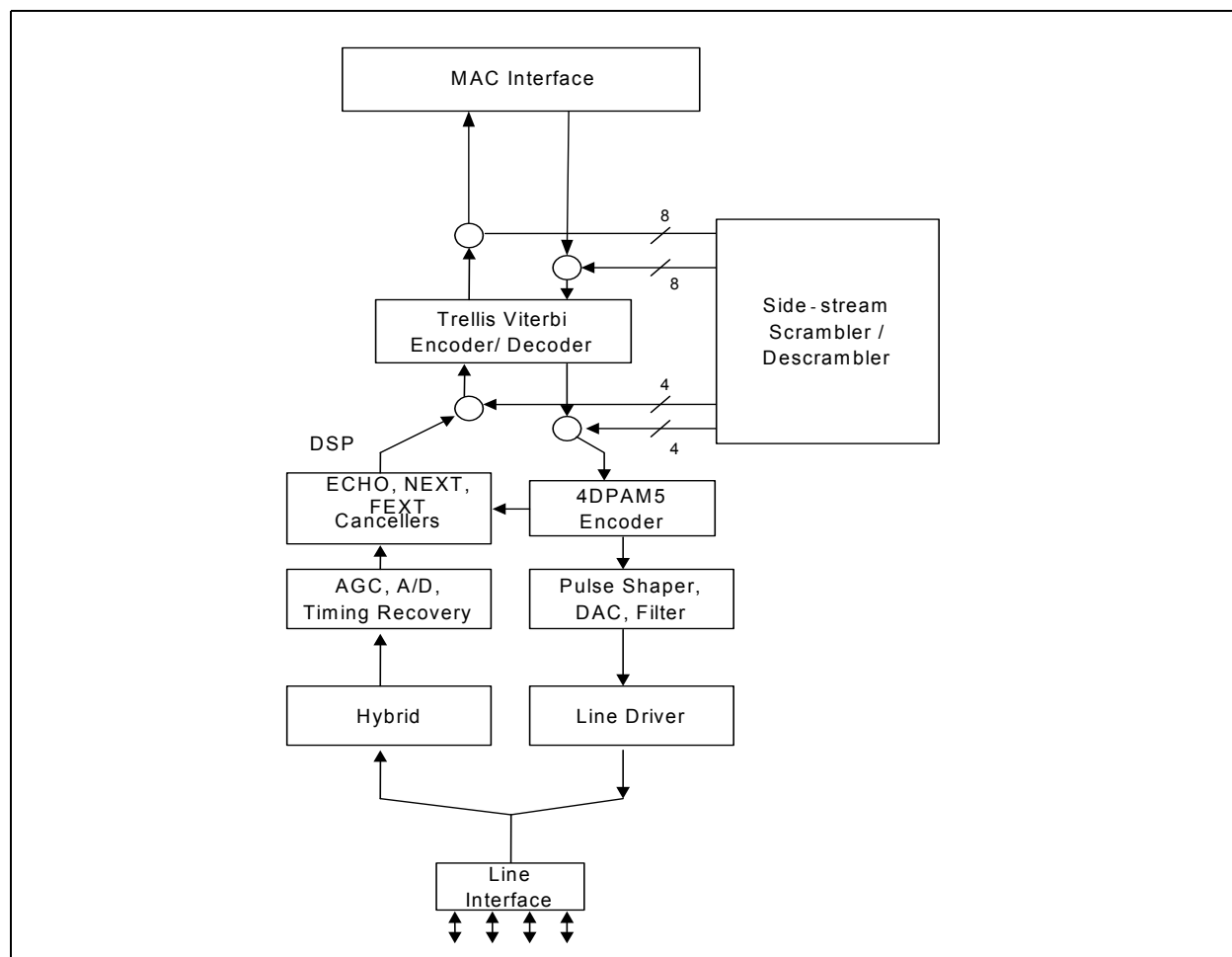


Figure 3-18. 100BASE-T Functions Overview

3.7.8.7.2 Transmit Functions

This section describes functions used when the MAC transmits data through the PHY and out onto the twisted-pair connection (see [Figure 3-18](#)).

3.7.8.7.2.1 Scrambler

The scrambler randomizes the transmitted data. The purpose of scrambling is twofold:

1. Scrambling eliminates repeating data patterns (also known as spectral lines) from the 4DPAM5 waveform in order to reduce EMI.
2. Each channel (A, B, C, D) has a unique signature that the receiver uses for identification.



The scrambler is driven by a 33-bit Linear Feedback Shift Register (LFSR), which is randomly loaded at power up. The LFSR function used by the master differs from that used by the slave, giving each direction its own unique signature. The LFSR, in turn, generates twelve mutually uncorrelated outputs. Eight of these are used to randomize the inputs to the 4DPAM5 and Trellis encoders. The remaining four outputs randomize the sign of the 4DPAM5 outputs.

3.7.8.7.2.2 Transmit FIFO

The transmit FIFO re-synchronizes data transmitted by the MAC to the transmit reference used by the PHY. The FIFO is large enough to support a frequency differential of up to +/- 1000 ppm over a packet size of 10 KB (jumbo frame).

3.7.8.7.2.3 Transmit Phase-Locked Loop PLL

This function generates the 125 MHz timing reference used by the PHY to transmit 4DPAM5 symbols. When the PHY is the master side of the link, the XI input is the reference for the transmit PLL. When the PHY is the slave side of the link, the recovered receive clock is the reference for the transmit PLL.

3.7.8.7.2.4 Trellis Encoder

The Trellis encoder uses the two high-order bits of data and its previous output to generate a ninth bit, which determines if the next 4DPAM5 pattern should be even or odd.

For data, this function is:

$$\text{Trellis}_n = \text{Data}_{7n-1} \text{ XOR } \text{Data}_{6n-2} \text{ XOR } \text{Trellis}_{n-3}$$

This provides forward error correction and enhances the Signal-To-Noise (SNR) ratio by a factor of 6 dB.

3.7.8.7.2.5 4DPAM5 Encoder

The 4DPAM5 encoder translates 8-byte codes transmitted by the MAC into 4DPAM5 symbols. The encoder operates at 125 MHz, which is both the frequency of the MAC interface and the baud rate used by 1000BASE-T.

Each 8-byte code represents one of 28 or 256 data patterns. Each 4DPAM5 symbol consists of one of five signal levels (-2,-1,0,1,2) on each of the four twisted pair (A,B,C,D) representing 54 or 625 possible patterns per baud period. Of these, 113 patterns are reserved for control codes, leaving 512 patterns for data. These data patterns are divided into two groups of 256 even and 256 odd data patterns. Thus, each 8-byte octet has two possible 4DPAM5 representations: one even and one odd pattern.

3.7.8.7.2.6 Spectral Shaper

This function causes the 4DPAM5 waveform to have a spectral signature that is very close to that of the MLT3 waveform used by 100BASE-TX. This enables 1000BASE-T to take advantage of infrastructure (cables, magnetics) designed for 100BASE-TX.

The shaper works by transmitting 75% of a 4DPAM5 code in the current baud period, and adding the remaining 25% into the next baud period.



3.7.8.7.2.7 Low-Pass Filter

To aid with EMI, this filter attenuates signal components more than 180 MHz. In 1000BASE-T, the fundamental symbol rate is 125 MHz.

3.7.8.7.2.8 Line Driver

The line driver drives the 4DPAM5 waveforms onto the four twisted-pair channels (A, B, C, D), adding them onto the waveforms that are simultaneously being received from the link partner.

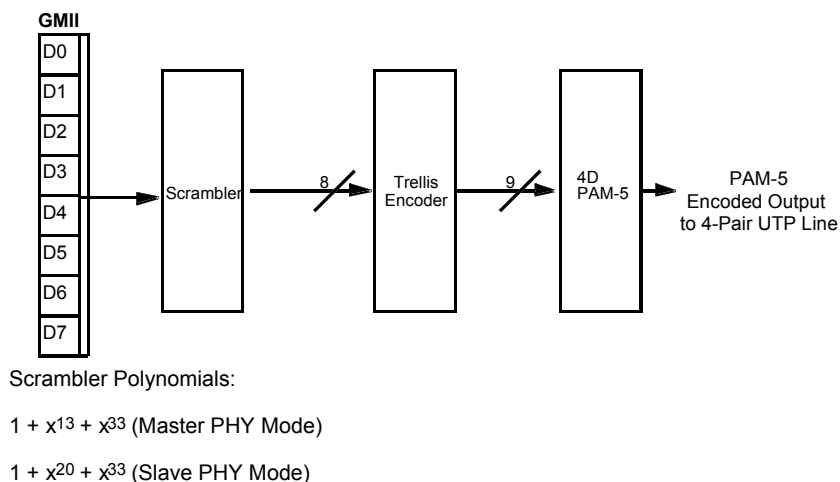


Figure 3-19. 1000BASE-T Transmit Flow And Line Coding Scheme

Figure 3-20. Transmit/Receive Flow



3.7.8.7.3 Receive Functions

This section describes function blocks that are used when the PHY receives data from the twisted pair interface and passes it back to the MAC (see [Figure 3-20](#)).

3.7.8.7.3.1 Hybrid

The hybrid subtracts the transmitted signal from the input signal, enabling the use of simple 100BASE-TX compatible magnetics.

3.7.8.7.3.2 Automatic Gain Control (AGC)

AGC normalizes the amplitude of the received signal, adjusting for the attenuation produced by the cable.

3.7.8.7.3.3 Timing Recovery

This function re-generates a receive clock from the incoming data stream which is used to sample the data. On the slave side of the link, this clock is also used to drive the transmitter.

3.7.8.7.3.4 Analog-to-Digital Converter (ADC)

The ADC function converts the incoming data stream from an analog waveform to digitized samples for processing by the DSP core.

3.7.8.7.3.5 Digital Signal Processor (DSP)

DSP provides per-channel adaptive filtering, which eliminates various signal impairments including:

- Inter-symbol interference (equalization)
- Echo caused by impedance mismatch of the cable
- Near-end crosstalk (NEXT) between adjacent channels (A, B, C, D)
- Far-end crosstalk (FEXT)
- Propagation delay variations between channels of up to 120 ns
- Extraneous tones that have been coupled into the receive path

The adaptive filter coefficients are initially set during the training phase. They are continuously adjusted (adaptive equalization) during operation through the decision-feedback loop.

3.7.8.7.3.6 Descrambler

The descrambler identifies each channel by its characteristic signature, removing the signature and re-routing the channel internally. In this way, the receiver can correct for channel swaps and polarity reversals. The descrambler uses the same base 33-bit LFSR used by the transmitter on the other side of the link.

The descrambler automatically loads the seed value from the incoming stream of scrambled idle symbols. The descrambler requires approximately 15 μ s to lock, normally accomplished during the training phase.



3.7.8.7.3.7 Viterbi Decoder/Decision Feedback Equalizer (DFE)

The Viterbi decoder generates clean 4DPAM5 symbols from the output of the DSP. The decoder includes a Trellis encoder identical to the one used by the transmitter. The Viterbi decoder simultaneously looks at the received data over several baud periods. For each baud period, it predicts whether the symbol received should be even or odd, and compares that to the actual symbol received. The 4DPAM5 code is organized in such a way that a single level error on any channel changes an even code to an odd one and vice versa. In this way, the Viterbi decoder can detect single-level coding errors, effectively improving the signal-to-noise (SNR) ratio by a factor of 6 dB. When an error occurs, this information is quickly fed back into the equalizer to prevent future errors.

3.7.8.7.3.8 4DPAM5 Decoder

The 4DPAM5 decoder generates 8-byte data from the output of the Viterbi decoder.

3.7.8.7.3.9 100 Mb/s Operation

The MAC passes data to the PHY over the MII. The PHY encodes and scrambles the data, then transmits it using MLT-3 for 100TX over copper. The PHY de-scrambles and decodes MLT-3 data received from the network. When the MAC is not actively transmitting data, the PHY sends out idle symbols on the line.

3.7.8.7.3.10 10 Mb/s Operation

The PHY operates as a standard 10 Mb/s transceiver. Data transmitted by the MAC as 4-bit nibbles is serialized, Manchester-encoded, and transmitted on the MDI[0]+/- outputs. Received data is decoded, de-serialized into 4-bit nibbles and passed to the MAC across the internal MII. The PHY supports all the standard 10 Mb/s functions.

3.7.8.7.3.11 Link Test

In 10 Mb/s mode, the PHY always transmits link pulses. If link test function is enabled, it monitors the connection for link pulses. Once it detects two to seven link pulses, data transmission are enabled and remain enabled as long as the link pulses or data reception continues. If the link pulses stop, the data transmission is disabled.

If the link test function is disabled, the PHY might transmit packets regardless of detected link pulses. Setting the Port Configuration register bit (PHYREG 0,16.14) can disable the link test function.

3.7.8.7.3.12 10Base-T Link Failure Criteria and Override

Link failure occurs if link test is enabled and link pulses stop being received. If this condition occurs, the PHY returns to the auto-negotiation phase, if auto-negotiation is enabled. Setting the Port Configuration register bit (PHYREG 0,16.14) disables the link integrity test function, then the PHY transmits packets, regardless of link status.

3.7.8.7.3.13 Jabber

If the MAC begins a transmission that exceeds the jabber timer, the PHY disables the transmit and loopback functions and asserts collision indication to the MAC. The PHY automatically exits jabber mode after 250-750 ms. This function can be disabled by setting bit PHYREG 0,16.10 = 1b.



3.7.8.7.3.14 Polarity Correction

The PHY automatically detects and corrects for the condition where the receive signal (MDI_PLUS[0]/MDI_MINUS[0]) is inverted. Reversed polarity is detected if eight inverted link pulses or four inverted end-of-frame markers are received consecutively. If link pulses or data are not received for 96-130 ms, the polarity state is reset to a non-inverted state.

Automatic polarity correction can be disabled by setting bit PHYREG 0,16 bit 1.

3.7.8.7.3.15 Dribble Bits

The PHY handles dribble bits for all of its modes. If between one and four dribble bits are received, the nibble is passed across the interface. The data passed across is padded with 1's if necessary. If between five and seven dribble bits are received, the second nibble is not sent onto the internal MII bus to the MAC. This ensures that dribble bits between 1-7 do not cause the MAC to discard the frame due to a CRC error.

3.7.8.7.3.16 PHY Address

The external PHY MDIO Address is defined in the *MDICNFG.PHYADD* field and is loaded at power-up from the Flash. If the *MDICNFG.Destination* bit is cleared (internal PHY), MDIO access is always to the internal PHY.



4.0 Initialization

4.1 Power Up

4.1.1 Power-Up Sequence

Figure 4-1 shows the power-up sequence from power ramp up and to when the I210 is ready to accept host commands.

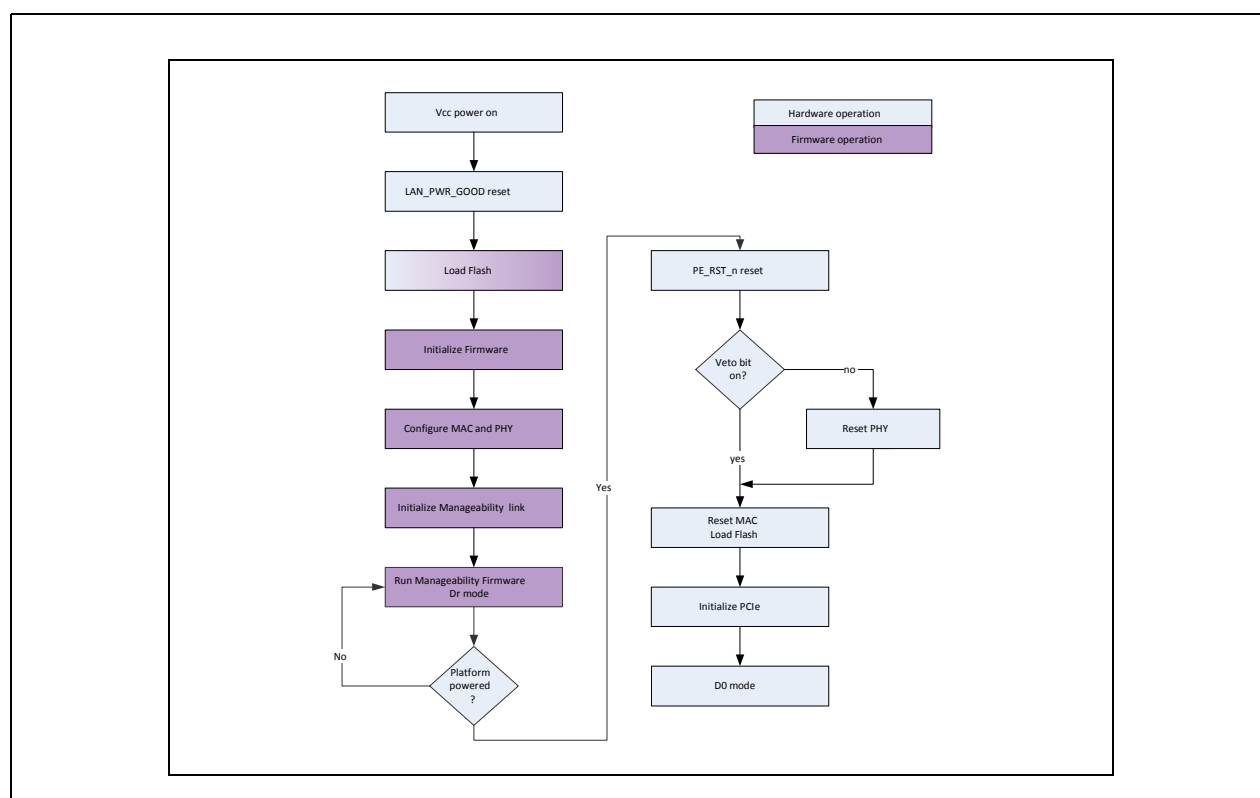


Figure 4-1. Power-Up - General Flow

Note: The Keep_PHY_Link_Up bit (*Veto* bit) is set by firmware when the MC is running IDER or SoL. Its purpose is to prevent interruption of these processes when power is being turned on.

4.1.2 Power-Up Timing Diagram

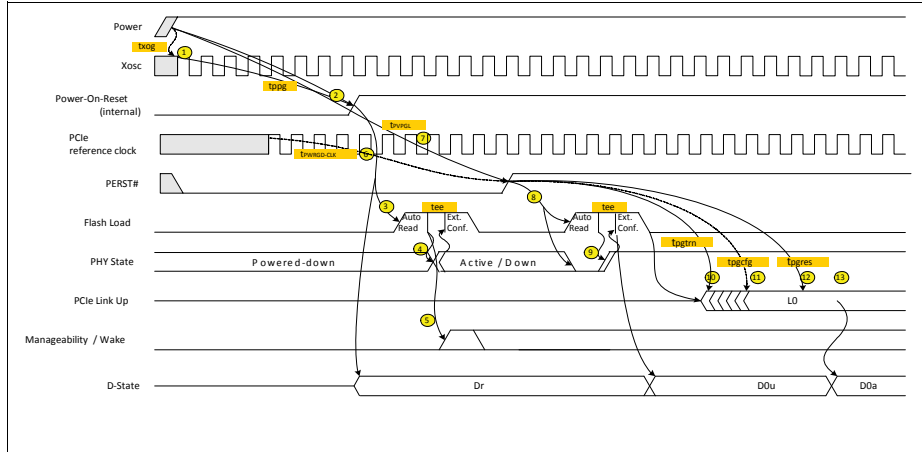


Figure 4-2. Power-Up Timing Diagram

Table 4-1. Notes to Power-Up Timing Diagram

| Note | |
|------|---|
| 1 | Xosc is stable t_{xog} after the Power is stable |
| 2 | Internal Reset is released after all power supplies are good and t_{ppg} after Xosc is stable. |
| 3 | A Flash read starts on the rising edge of the internal Reset or LAN_PWR_GOOD. |
| 4 | After reading the Flash, the PHY might exit power down mode. |
| 5 | APM Wakeup and/or manageability might be enabled based on Flash contents. |
| 6 | The PCIe reference clock is valid $t_{PE_RST_CLK}$ before the de-assertion of PE_RST# (according to PCIe specification). |
| 7 | PE_RST# is de-asserted t_{pVpGL} after power is stable (according to PCIe specification). |
| 8 | De-assertion of PE_RST# causes the Flash to be re-read, asserts PHY power-down (except if the <i>Veto</i> bit also known as Keep_PHY_Link_Up bit is set), and disables Wake Up. |
| 9 | After reading the Flash, the PHY exits power-down mode. |
| 10 | Link training starts after t_{pgtrn} from PE_RST# de-assertion. |
| 11 | A first PCIe configuration access might arrive after t_{pgcf} from PE_RST# de-assertion. |
| 12 | A first PCI configuration response can be sent after t_{pgres} from PE_RST# de-assertion |
| 13 | Writing a 1b to the <i>Memory Access Enable</i> bit in the PCI <i>Command Register</i> transitions the device from D0u to D0 state. |

4.2 Reset Operation

The I210 has a number of reset sources described in the sections that follow. After a reset, the software device driver should verify that the *EEMNGCTL.CFG_DONE* bit (refer to [Section 8.4.18](#)) is set to 1b and no errors were reported in the *FWSM.Ext_Err_Ind* (refer to [Section 8.7.2](#)) field.



4.2.1 Reset Sources

The I210 reset sources are described in the sections that follow.

4.2.1.1 LAN_PWR_GOOD

The I210 has an internal mechanism for sensing the power pins. Once power is up and stable, the I210 creates an internal reset. This reset acts as a master reset of the entire chip. It is level sensitive, and while it is zero holds all of the registers in reset. LAN_PWR_GOOD is interpreted to be an indication that device power supplies are all stable. Note that LAN_PWR_GOOD changes state during system power-up.

4.2.1.2 PE_RST_N

De-asserting PE_RST_N indicates that both the power and the PCIe clock sources are stable. This pin asserts an internal reset also after a D3cold exit. Most units are reset on the rising edge of PE_RST_N. The only exception is the PCIe unit, which is kept in reset while PE_RST_N is asserted (level).

4.2.1.3 In-Band PCIe Reset

The I210 generates an internal reset in response to a physical layer message from the PCIe or when the PCIe link goes down (entry to polling or detect state). This reset is equivalent to PCI reset in previous (PCI) GbE LAN controllers.

4.2.1.4 D3hot to D0 Transition

This is also known as ACPI reset. The I210 generates an internal reset on the transition from D3hot power state to D0 (caused after configuration writes from D3 to D0 power state).

When the *PMCSR.No_Soft_Reset* bit in the configuration space is set, on transition from D3hot to D0 the I210 resets internal CSRs (similar to *CTRL.RST* assertion) but doesn't reset registers in the PCIe configuration space. If the *PMCSR.No_Soft_Reset* bit is cleared, the I210 resets all per-function registers except for registers defined as sticky in the configuration space.

Note: Regardless of the value of the *PMCSR.No_Soft_Reset* bit, the function is reset (including bits that are not defined as sticky in PCIe configuration space) if the link state has transitioned to the L2/L3 ready state, on transition from D3cold to D0, if Function Level Reset (FLR) is asserted or if transition D3hot to D0 is caused by asserting the PCIe reset (PE_RST pin).

Note: Software device drivers should implement the handshake mechanism defined in [Section 5.2.3.3](#) to verify that all pending PCIe completions finish, before moving the I210 to D3.

4.2.1.5 FLR

A FLR function reset is issued by setting bit 15 in the *Device Control* configuration register (refer to [Section 9.4.6.5](#)), which is equivalent to a D0 ⇒ D3 ⇒ D0 transition. The only difference is that this reset does not require software device driver intervention in order to stop the master transactions of this function. The Flash content is partially reloaded after a FLR reset. The words read from Flash at FLR are the same as read following a full software reset. A list of these words can be found in [Section 3.3.1.2](#).



A FLR reset to a function resets all the queues, interrupts, and statistics registers attached to the function. It also resets PCIe read/write configuration bits as well as disables transmit and receive flows for the queues allocated to the function. All pending read requests are dropped and PCIe read completions to the function might be completed as unexpected completions and silently discarded (following update of flow control credits) without logging or signaling as an error.

Note: If software initiates a FLR when the *Transactions Pending* bit in the *Device Status* configuration register is set to 1b (refer to [Section 9.4.6.6](#)), then software must not initialize the function until allowing time for any associated completions to arrive. The *Transactions Pending* bit is cleared upon completion of the FLR.

4.3 Software Reset

4.3.1 Software Reset (RST)

Software can reset the I210 by setting the Software Reset (*CTRL.RST*) bit in the Device Control register. Following reset, the PCI configuration space (configuration and mapping) of the device is unaffected. Prior to issuing a software reset the software device driver needs to operate the master disable algorithm as defined in [Section 5.2.3.3](#).

The *CTRL.RST* bit is provided primarily to recover from an indeterminate or suspected port hung hardware state. Most registers (receive, transmit, interrupt, statistics, etc.) and state machines in the port are set to their power-on reset values, approximating the state following a power-on or PCIe reset (refer to [Table 4-3](#) for further information on affects of software reset). However, PCIe configuration registers and DMA logic is not reset, leaving the device mapped into system memory space and accessible by a software device driver.

Note: To ensure that a software reset fully completed and that the I210 responds correctly to subsequent accesses after setting the *CTRL.RST* bit, the software device driver should wait at least 3 ms before accessing any register and then verify that *EEC.Auto_RD* is set to 1b and that the *STATUS.PF_RST_DONE* bit is set to 1b.

When asserting the *CTRL.RST* software reset bit, only some Flash bits related to the specific function are re-read (refer to [Section 3.3.1.2](#)). Bits re-read from Flash are reset to default values.

4.3.1.1 Bus Master Enable (BME)

Disabling bus master activity of a function by clearing the Configuration *Command register.BME* bit to 0b, resets all DMA activities and MSI/MSIx operations related to the port. The master disable resets only the DMA activities related to this function without affecting activity of other functions or LAN ports. Configuration accesses and target accesses to the function are still enabled and the Management Controller (MC) can still transmit and receive packets on the port.

A Master Disable resets all the queues and DMA related interrupts. It also disables the transmit and receive flows. All pending read requests are dropped and PCIe read completions to this function might be completed as unexpected completions and silently discarded (following update of flow control credits) without logging or signaling it as an error.

Note: Prior to issuing a master disable the software device driver needs to implement the master disable algorithm as defined in [Section 5.2.3.3](#). After *Master Enable* is set back to 1b, the software device driver should re-initialize the transmit and receive queues.



4.3.1.2 Force TCO

This reset is generated when manageability logic is enabled and the MC detects that the I210 does not receive or transmit data correctly. Force TCO reset is enabled if the *Reset on Force TCO* bit in the Management Control Flash word is set 1b. [Table 4-3](#) describes affects of TCO reset on the I210 functionality.

Force TCO reset is generated in pass through mode when the MC issues a Force TCO command with bit 1 set and the previous conditions exist.

4.3.1.3 Flash Reset

Writing a 1b to the Flash *Reset* bit of the Extended Device Control Register (*CTRL_EXT.EE_RST*) causes the I210 to re-read the per-function configuration from the Flash, setting the appropriate bits in the registers loaded by the Flash.

4.3.1.4 PHY Reset

Software can write a 1b to the *PHY Reset* bit of the Device Control Register (*CTRL.PHY_RST*) to reset the internal PHY. The PHY is internally configured after a PHY reset.

Note: The internal PHY should not be reset using PHYREG 0,0 bit 15 (Copper Control Register *Copper Reset*), since in this case, the internal PHY configuration process is bypassed and there is no guarantee the PHY operates correctly.

Because the PHY can be accessed by the internal firmware and software device driver software, the software device driver software should coordinate any PHY reset with the firmware using the following procedure:

1. Check that *MANC.BLK_Phy_Rst_On_IDE* (offset 0x5820 bit 18) is cleared. If set, the MC requires a stable link and thus the PHY should not be reset at this stage. The software device driver might skip the PHY reset if not mandatory or wait for *MANC.BLK_Phy_Rst_On_IDE* to clear. Refer to [Section 4.3.3](#) for more details.
2. Take ownership of the PHY using the following flow:
 - a. Get ownership of the software/firmware semaphore *SWSM.SWESMBI* bit (offset 0x5B50 bit 1):
 - Set the *SWSM.SWESMBI* bit.
 - Read *SWSM*.
 - If *SWSM.SWESMBI* was successfully set (semaphore was acquired); otherwise, go back to step a.
 - This step assures that the internal firmware does not access the shared resources register (*SW_FW_SYNC*).
 - b. Software reads the Software-Firmware Synchronization Register (*SW_FW_SYNC*) and checks the bit that controls the PHY it wants to own.
 - If the bit is set (firmware owns the PHY), software tries again later.
 - c. Release ownership of the software/firmware semaphore by clearing the *SWSM.SWESMBI* bit.
3. Drive the PHY reset bit in CTRL bit 31.
4. Wait 100 μ s.
5. Release PHY reset in CTRL bit 31.
6. Release ownership of the relevant PHY to firmware using the following flow:
 - a. Get ownership of the software/firmware semaphore *SWSM.SWESMBI* (offset 0x5B50 bit 1):



- Set the *SWSM.SWESMBI* bit.
 - Read *SWSM*.
 - If *SWSM.SWESMBI* was successfully set (semaphore was acquired); otherwise, go back to step a.
 - Clear the bit in *SW_FW_SYNC* that control the software ownership of the resource to indicate this resource is free.
 - Release ownership of the software/firmware semaphore by clearing the *SWSM.SWESMBI* bit.
7. Wait for the *CFG_DONE* bit (*EEMNGCTL.CFG_DONE0*).
8. Take ownership of the relevant PHY using the following flow:
- a. Get ownership of the software/firmware semaphore *SWSM.SWESMBI* (offset 0x5B50 bit 1):
 - Set the *SWSM.SWESMBI* bit.
 - Read *SWSM*.
 - If *SWSM.SWESMBI* was successfully set (semaphore was acquired); otherwise, go back to step a.
 - This step assures that the internal firmware does not access the shared resources register (*SW_FW_SYNC*).
 - b. Software reads the Software-Firmware Synchronization Register (*SW_FW_SYNC*) and checks the bit that controls the PHY it wants to own.
 - If the bit is set (firmware owns the PHY), software tries again later.
 - c. Release ownership of the software/firmware semaphore by clearing *SWSM.SWESMBI* bit.
9. Configure the PHY.
10. Release ownership of the relevant PHY using the flow described in [Section 4.6.2](#).

Note: Software PHY ownership should not exceed 100 ms. If software takes PHY ownership for a longer duration, firmware might implement a timeout mechanism and take ownership of the PHY.

4.3.2 Registers and Logic Reset Affects

The resets affect the following registers and logic:

Table 4-2. I210 Reset Affects - Common Resets

| Reset Activation | LAN_PWR_GOOD | PE_RST_N | In-Band PCIe Reset | FW Reset | Notes |
|--|--------------|----------|--------------------|----------|-------|
| LTSSM (PCIe Back to Detect/ Polling) | X | X | X | | |
| PCIe Link Data Path | X | X | X | | |
| Read Flash | | | | | 16. |
| Read Flash (Complete Load) | X | X | X | | |
| PCI Configuration Registers - Non Sticky | X | X | X | | 3. |
| PCI Configuration Registers - Sticky | X | X | X | | 4. |
| PCIe Local Registers | X | X | X | | 5. |
| Data Path | X | X | X | | |
| On-die Memories | X | X | X | | 13. |



Table 4-2. I210 Reset Affects - Common Resets (Continued)

| Reset Activation | LAN_PWR_GOOD | PE_RST_N | In-Band PCIe Reset | FW Reset | Notes |
|---|--------------|----------|--------------------|----------|--------|
| MAC, PCS, Auto Negotiation and Other Port Related Logic | X | X | X | | |
| DMA | X | X | X | | |
| Functions Queue Enable | X | X | X | | |
| Function interrupt and Statistics Registers | X | X | X | | |
| Wake Up (PM) Context | X | | | | 7. |
| Wake Up Control Register | X | | | | 8. |
| Wake Up Status Registers | X | | | | 9. |
| Manageability Control Registers | X | | | | 10. |
| MMS Unit | X | | | X | |
| Wake-Up Management Registers | X | X | X | | 3.,11. |
| Memory Configuration Registers | X | X | X | | 3. |
| Flash Requests | X | | | | 14. |
| PHY/SerDes PHY | X | X | X | | 2. |
| Strapping Pins | X | X | X | | |

Table 4-3. I210 Reset Affects - Other Resets

| Reset Activation | D3hot → D0 | FLR | Port SW Reset (CTRL_RST) | Force TCO | EE Reset | PHY Reset | Notes |
|---|------------|-----|--------------------------|-----------|----------|-----------|--------|
| Port Configuration Autoload from Flash | X | X | X | X | X | | |
| PCI Configuration Registers Read Only | | | | | | | 3. |
| PCI Configuration Registers MSI-X | X | X | | | | | 6. |
| PCI Configuration Registers Read/Write | | | | | | | |
| PCIe Local Registers | | | | | | | 5. |
| Data Path | X | X | X | X | | | |
| On-die Memories | X | X | X | X | | | 13. |
| MAC, PCS, Auto Negotiation and Other Port Related Logic | X | X | X | X | | | |
| DMA | X | X | | X | | | 15. |
| Wake Up (PM) Context | | | | | | | 7. |
| Wake Up Control Register | | | | | | | 8. |
| Wake Up Status Registers | | | | | | | 9. |
| Manageability Control Registers | | | | | | | 10. |
| Function Queue Enable | X | X | X | X | | | |
| Function Interrupt and Statistics Registers | X | X | X | | | | |
| Wake-Up Management Registers | X | X | X | X | | | 3.,11. |
| Memory Configuration Registers | X | X | X | X | | | 3. |



Table 4-3. I210 Reset Affects - Other Resets (Continued)

| Reset Activation | D3hot → D0 | FLR | Port SW Reset (CTRL.RST) | Force TCO | EE Reset | PHY Reset | Notes |
|------------------|------------|-----|--------------------------|-----------|----------|-----------|-------|
| Flash Request | X | X | | | | | 14. |
| PHY/SerDes PHY | X | X | | X | | X | 2. |
| Strapping Pins | | | | | | | |

Notes:

1. If AUX_POWER = 0b the Wakeup Context is reset (*PME_Status* and *PME_En* bits should be 0b at reset if the I210 does not support PME from D3cold).
2. The MMS unit must configure the PHY after any PHY reset.
3. The following register fields do not follow the general rules previously described:
 - a. *CTRL.SDP0_IODIR*, *CTRL.SDP1_IODIR*, *CTRL_EXT.SDP2_IODIR*, *CTRL_EXT.SDP3_IODIR*, *CONNSW.ENRGSRG* field, *CTRL_EXT.SFP_Enable*, *CTRL_EXT.LINK_MODE*, *CTRL_EXT.EXT_VLAN* and LED configuration registers are reset on LAN_PWR_GOOD only. Any Flash read resets these fields to the values in the Flash.
 - b. The *Aux Power Detected* bit in the PCIe Device Status register is reset on LAN_PWR_GOOD and PE_RST_N (PCIe reset) assertion only.
 - c. FLA - reset on LAN_PWR_GOOD only.
 - d. The bits mentioned in the next note.
4. The following registers are part of this group:
 - a. VPD registers
 - b. Max payload size field in PCIe Capability Control register (offset 0xA8).
 - c. *Active State Link PM Control* field, *Common Clock Configuration* field and *Extended Synch* field in PCIe Capability Link Control register (Offset 0xB0).
 - d. Read *Completion Boundary* in the PCIe Link Control register (Offset 0xB0).
5. The following registers are part of this group:
 - a. SWSM
 - b. GCR (only part of the bits - see register description for details)
 - c. FUNCTAG
 - d. GSCL_1/2/3/4
 - e. GSCN_0/1/2/3
 - f. SW_FW_SYNC - only part of the bits - see register description for details.
6. The following registers are part of this group:
 - a. MSIX control register, MSIX PBA and MSIX per vector mask.
7. The *Wake Up Context* is defined in the PCI Bus Power Management Interface Specification (sticky bits). It includes:
 - *PME_En* bit of the Power Management Control/Status Register (*PMCSR*).
 - *PME_Status* bit of the Power Management Control/Status Register (*PMCSR*).
 - *Aux_En* in the PCIe registers
 - The device Requester ID (since it is required for the PM_PME TLP).



The shadow copies of these bits in the Wakeup Control register are treated identically.

8. Refers to bits in the Wake Up Control register that are not part of the Wake-Up Context (the *PME_En* and *PME_Status* bits).
9. The Wake Up Status registers include the following:
 - a. Wake Up Status register
 - b. Wake Up Packet Length.
 - c. Wake Up Packet Memory.
10. The Manageability Control registers refer to the following registers:
 - a. *MANC* 0x5820
 - b. *MFUTPO-15* 0x5030 - 0x504C
 - c. *MNGONLY* 0x5864
 - d. *MAVTVO-7* 0x5010 - 0x502C
 - e. *MDEFO-7* 0x5890 - 0x58AC
 - f. *MDEF_EXT* 0x5930 - 0x594C
 - g. *METFO-3* 0x5060 - 0x506C
 - h. *MIPAFO-15* 0x58B0 - 0x58EC
 - i. *MMAH/MMALO-1* 0x5910 - 0x591C
 - j. FWSM
11. The Wake-up Management registers include the following:
 - a. Wake Up Filter Control
 - b. IP Address Valid
 - c. IPv4 Address Table
 - d. IPv6 Address Table
 - e. Flexible Filter Length Table
 - f. Flexible Filter Mask Table
12. The other configuration registers include:
 - a. General Registers
 - b. Interrupt Registers
 - c. Receive Registers
 - d. Transmit Registers
 - e. Statistics Registers
 - f. Diagnostic Registers

Of these registers, *MTA[n]*, *VFTA[n]*, *WUPM[n]*, *FTFT[n]*, *FHFT[n]*, *FHFT_EXT[n]*, *TDBAH/TDBAL*, and *RDBAH/RDVAL* registers have no default value. If the functions associated with the registers are enabled, they must be programmed by software. Once programmed, their value is preserved through all resets as long as power is applied to the I210.

Note: In situations where the device is reset using the software reset *CTRL.RST* or *CTRL.DEV_RST*, the transmit data lines are forced to all zeros. This causes a substantial number of symbol errors detected by the link partner. In TBI mode, if the duration is long enough, the link partner might restart the auto-negotiation process by sending break-link (/C/ codes with the configuration register value set to all zeros).

13. The contents of the following memories are cleared to support the requirements of PCIe FLR:



- a. The Tx packet buffers
 - b. The Rx packet buffers
14. Includes *EEC.REQ*, *EEC.GNT*, *FLA.REQ* and *FLA.GNT* fields.
15. The following DMA registers are cleared only by LAN_PWR_GOOD, PCIe Reset or *CTRL.DEV_RST*: *DMCTLX*, *DTPARS*, *DRPARS* and *DDPARS*.
16. *CTRL.DEV_RST* assertion causes read of function related sections.

4.3.3 PHY Behavior During a Manageability Session

During some manageability sessions (such as an IDER or SoL session as initiated by an external MC), the platform is reset so that it boots from a remote media. This reset must not cause the Ethernet link to drop since the manageability session is lost. Also, the Ethernet link should be kept on continuously during the session for the same reasons. The I210 therefore limits the cases in which the internal PHY would restart the link, by masking two types of events from the internal PHY:

- PE_RST# and PCIe resets (in-band and link drop) do not reset the PHY during such a manageability session
- The PHY does not change link speed as a result of a change in power management state, to avoid link loss. For example, the transition to D3hot state is not propagated to the PHY.
 - Note however that if main power is removed, the PHY is allowed to react to the change in power state (the PHY might respond in link speed change). The motivation for this exception is to reduce power when operating on auxiliary power by reducing link speed.

The capability described in this section is disabled by default on LAN_POWER_GOOD reset. The *Keep_PHY_Link_Up_En* bit in the Flash must be set to 1b to enable it. Once enabled, the feature is enabled until the next LAN_POWER_GOOD (the I210 does not revert to the hardware default value on PE_RST#, PCIe reset or any other reset but LAN_POWER_GOOD).

When the *Keep_PHY_Link_Up* bit (also known as *Veto* bit) in the MANC register is set, the following behaviors are disabled:

- The PHY is not reset on PE_RST# and PCIe resets (in-band and link drop). Other reset events are not affected - LAN_POWER_GOOD reset, Device Disable, Force TCO, and PHY reset by software.
- The PHY does not change its power state. As a result link speed does not change.
- The I210 does not initiate configuration of the PHY to avoid losing link.

The *Keep_PHY_Link_Up* bit is set by the MC through the Management Control command (refer to [Section 10.5.9.1.5](#) for SMBus command and [Section 10.6.3.10](#) for NC-SI command) on the sideband interface. It is cleared by the external MC (again, through a command on the sideband interface) when the manageability session ends. Once the *Keep_PHY_Link_Up* bit is cleared, the PHY updates its Dx state and acts accordingly (negotiates its speed).

The *Keep_PHY_Link_Up* bit is a read/write bit and can be accessed by host software, but software is not expected to clear the bit. The bit is cleared in the following cases:

- On LAN_POWER_GOOD.
- When the MC resets or initializes it.



4.4 Device and Function Disable

4.4.1 General

For a LAN on Motherboard (LOM) design, it might be desirable for the system to provide BIOS-setup capability for selectively enabling or disabling LAN functions. It enables the end-user more control over system resource-management and avoid conflicts with add-in NIC solutions. The I210 provides support for selectively enabling or disabling one or more LAN device(s) in the system.

Device presence (or non-presence) must be established early during BIOS execution, in order to ensure that BIOS resource-allocation (of interrupts, of memory or I/O regions) is done according to devices that are present only. This is frequently accomplished using a BIOS Configuration Values Driven on Reset (CVDR) mechanism. The I210 LAN-disable mechanism is implemented in order to be compatible with such a solution.

4.4.2 Disabling Both LAN Port and PCIe Function (Device Off)

The I210 provides a mechanism to disable its LAN port and the PCIe function. When DEV_OFF_N is asserted (driven low) and the *Device Off Enable* Flash bit (in word 0x1E) is set to 1b (refer to [Section 6.2.19](#)).

For a LOM design, it might be desirable for the system to provide BIOS-setup capability for selectively enabling or disabling LOM devices. This might allow the end-user more control over system resource-management; avoid conflicts with add-in NIC solutions, etc. The I210 provides support for selectively enabling or disabling it.

While in device disable mode, the PCIe link is in L3 state. The PHY is in power down mode. Output buffers are tri-stated.

Asserting or deasserting PCIe PE_RST_N does not have any affect while the device is in device disable mode (the device stays in the respective mode as long as the right settings on DEV_OFF_N). However, the device might momentarily exit the device disable mode from the time PCIe PE_RST_N is deasserted again and until the Flash is read.

During power-up, the input pin DEV_OFF_N is ignored until the Flash is read. From that point, the device might enter device disable according to the Flash settings.

4.4.3 Disabling PCIe Function Only

The I210 also supports disabling just the PCIe function but keeping the LAN port that resides on it fully active (for manageability purposes and BMC pass-through traffic). This functionality can be achieved by driving SDP1 pin low and setting Flash en_pin_pcie_func_dis bit (word 0x29) to 1b.

Note: In this case when only the PCIe function is disabled, if the *PHPM.LPLU* register bit is set to 1b, the internal copper PHY attempts to create a link with its link partner at the lowest common link speed via Auto-negotiation.



4.4.4 BIOS Handling of Device Disable

4.4.4.1 Sequence for Entering the (Static) Device Off State

1. BIOS recognizes that the entire device should be disabled. The *Device Off Enable* Flash bit in word 0x1E should be set to 1b.
 - a. In order to shut down the PHY together with the rest of the device, the *PHY_in_LAN_Disable* Flash bit (refer to [Section 6.2.21](#)) should be set to 1b.
2. BIOS asserts the DEV_OFF_N pin (device is on and not in PCIe reset).
3. BIOS issues a PCIe reset
4. PCIe reset sequence ends while the device is already in off state (minimum PCIe reset duration is 100 μ s).
5. The BIOS places the *Link in the Electrical IDLE* state (at the other end of the PCIe link) by clearing the *LINK Disable* bit in the Link Control register.
6. BIOS might start with the device enumeration procedure (the I210 device function is now invisible).
7. Proceed with normal operation.

4.4.4.2 Sequence for Returning from the (Static) Device Off State

1. Device is in its off state.
2. BIOS de-asserts the DEV_OFF_N pin (while device is off but not while in PCIe reset)
3. BIOS issues a PCIe reset.
4. PCIe reset sequence ends while the device is already in on state (PCIe interface must be operative within 100 ms).
5. BIOS might start with the device enumeration procedure (the I210 device function is now visible).
6. Proceed with normal operation.

4.5 Software Initialization and Diagnostics

4.5.1 Introduction

This section discusses general software notes for the I210, especially initialization steps. This includes general hardware, power-up state, basic device configuration, initialization of transmit and receive operation, link configuration, software reset capability, statistics, and diagnostic hints.

4.5.2 Power Up State

When the I210 powers up it reads the Flash. The Flash contains sufficient information to bring the link up and configure the I210 for manageability and/or APM wakeup. However, software initialization is required for normal operation.

The power-up sequence, as well as transitions between power states, are described in [Section 4.1.1](#). The detailed timing is given in [Section 5.5](#). The next section gives more details on configuration requirements.



4.5.3 Initialization Sequence

The following sequence of commands is typically issued to the device by the software device driver in order to initialize the I210 to normal operation. The major initialization steps are:

- Disable Interrupts - see Interrupts during initialization.
- Issue Global Reset and perform General Configuration - see Global Reset and General Configuration.
- Setup the PHY and the link - see Link Setup Mechanisms and Control/Status Bit Summary.
- Initialize all statistical counters - refer to [Section 4.5.8](#).
- Initialize Receive - refer to [Section 4.5.9](#).
- Initialize Transmit - refer to [Section 4.5.10](#).
- Enable Interrupts - refer to [Section 4.5.4](#).

4.5.4 Interrupts During Initialization

- Most drivers disable interrupts during initialization to prevent re-entering the interrupt routine. Interrupts are disabled by writing to the Extended Interrupt Mask Clear (EIMC) register. Note that the interrupts need to be disabled also after issuing a global reset, so a typical driver initialization flow is:
 - Disable interrupts
 - Issue a Global Reset
 - Disable interrupts (again)
 - ...

After initialization completes, a typical software device driver enables the desired interrupts by writing to the Extended Interrupt Mask Set (EIMS) register.

4.5.5 Global Reset and General Configuration

Device initialization typically starts with a global reset that places the device into a known state and enables the software device driver to continue the initialization sequence.

Several values in the Device Control (CTRL) register need to be set, upon power up, or after a device reset for normal operation.

- The *FD* bit should be set per interface negotiation (if done in software), or is set by the hardware if the interface is auto-negotiating. This is reflected in the Device Status Register in the auto-negotiation case.
- Speed is determined via auto-negotiation by the PHY, auto-negotiation by the PCS layer in SGMII/SerDes mode, or forced by software if the link is forced. Status information for speed is also readable in the STATUS register.
- The *ILOS* bit should normally be set to 0b.

4.5.6 Flow Control Setup

If flow control is enabled, program the FCRTL0, FCRTH0, FCTTV and FCRTV registers. In order to avoid packet losses, FCRTH should be set to a value equal to at least two maximum size packets below the receive buffer size (assuming a packet buffer size of 36 KB and the expected maximum size packet of 9.5 KB), the FCRTH0 value should be set to $36 - 2 * 9.5 = 17\text{KB}$. For example, FCRTH0.RTH should be set to 0x440.



The receive buffer size is controlled by RXPBSIZE.Rxpbsize register field. Refer to [Section 4.5.9](#) for its setting rules.

If DMA coalescing is enabled, to avoid packet loss, the *FCRTC.RTH_Coal* field should also be programmed to a value equal to at least a single maximum packet size below the receive buffer size (a value equal or less than *FCRTHO.RTH* + max size packet).

4.5.7 Link Setup Mechanisms and Control/Status Bit Summary

The *CTRL_EXT.LINK_MODE* value should be set to the desired mode prior to the setting of the other fields in the link setup procedures.

4.5.7.1 PHY Initialization

Refer to the PHY documentation for the initialization and link setup steps. The software device driver uses the MDIC register to initialize the PHY and setup the link. [Section 3.7.4.4](#) describes the link setup for the internal copper PHY. [Section 3.7.2.2](#) Section describes the usage of the MDIC register.

4.5.7.2 MAC/PHY Link Setup (CTRL_EXT.LINK_MODE = 00b)

This section summarizes the various means of establishing proper MAC/PHY link setups, differences in MAC CTRL register settings for each mechanism, and the relevant MAC status bits. The methods are ordered in terms of preference (the first mechanism being the most preferred).

4.5.7.2.1 MAC Settings Automatically Based on Duplex and Speed Resolved by PHY (CTRL.FRCDPLX = 0b, CTRL.FRCSPD = 0b,)

| | |
|---------------------|---|
| <i>CTRL.FD</i> | Don't care; duplex setting is established from PHY's internal indication to the MAC (FDX) after PHY has auto-negotiated a successful link-up. |
| <i>CTRL.SLU</i> | Must be set to 1b by software to enable communications between MAC and PHY. |
| <i>CTRL.RFCE</i> | Must be programmed by software after reading capabilities from PHY registers and resolving the desired flow control setting. |
| <i>CTRL.TFCE</i> | Must be programmed by software after reading capabilities from PHY registers and resolving the desired flow control setting. |
| <i>CTRL.SPEED</i> | Don't care; speed setting is established from PHY's internal indication to the MAC (<i>SPD_IND</i>) after PHY has auto-negotiated a successful link-up. |
| <i>STATUS.FD</i> | Reflects the actual duplex setting (FDX) negotiated by the PHY and indicated to MAC. |
| <i>STATUS.LU</i> | Reflects link indication (LINK) from PHY qualified with <i>CTRL.SLU</i> (set to 1b). |
| <i>STATUS.SPEED</i> | Reflects actual speed setting negotiated by the PHY and indicated to the MAC (<i>SPD_IND</i>). |

4.5.7.2.2 MAC Duplex and Speed Settings Forced by Software Based on Resolution of PHY (CTRL.FRCDPLX = 1b, CTRL.FRCSPD = 1b)

| | |
|-----------------|--|
| <i>CTRL.FD</i> | Set by software based on reading PHY status register after PHY has auto-negotiated a successful link-up. |
| <i>CTRL.SLU</i> | Must be set to 1b by software to enable communications between MAC and PHY. |



| | |
|---------------------|--|
| <i>CTRL.RFCE</i> | Must be programmed by software after reading capabilities from PHY registers and resolving the desired flow control setting. |
| <i>CTRL.TFCE</i> | Must be programmed by software after reading capabilities from PHY registers and resolving the desired flow control setting. |
| <i>CTRL.SPEED</i> | Set by software based on reading PHY status register after PHY has auto-negotiated a successful link-up. |
| <i>STATUS.FD</i> | Reflects the MAC forced duplex setting written to <i>CTRL.FD</i> . |
| <i>STATUS.LU</i> | Reflects link indication (LINK) from PHY qualified with <i>CTRL.SLU</i> (set to 1b). |
| <i>STATUS.SPEED</i> | Reflects MAC forced speed setting written in <i>CTRL.SPEED</i> . |

4.5.7.2.3 MAC/PHY Duplex and Speed Settings Both Forced by Software (Fully-Forced Link Setup) (*CTRL.FRCDPLX = 1b, CTRL.FRCSPD = 1b, CTRL.SLU = 1b*)

| | |
|---------------------|--|
| <i>CTRL.FD</i> | Set by software to desired full/half duplex operation (must match duplex setting of PHY). |
| <i>CTRL.SLU</i> | Must be set to 1b by software to enable communications between MAC and PHY. PHY must also be forced/configured to indicate positive link indication (LINK) to the MAC. |
| <i>CTRL.RFCE</i> | Must be programmed by software to desired flow-control operation (must match flow-control settings of PHY). |
| <i>CTRL.TFCE</i> | Must be programmed by software to desired flow-control operation (must match flow-control settings of PHY). |
| <i>CTRL.SPEED</i> | Set by software to desired link speed (must match speed setting of PHY). |
| <i>STATUS.FD</i> | Reflects the MAC duplex setting written by software to <i>CTRL.FD</i> . |
| <i>STATUS.LU</i> | Reflects 1b (positive link indication LINK from PHY qualified with <i>CTRL.SLU</i>). Note that since both <i>CTRL.SLU</i> and the PHY link indication LINK are forced, this bit set does not guarantee that operation of the link has been truly established. |
| <i>STATUS.SPEED</i> | Reflects MAC forced speed setting written in <i>CTRL.SPEED</i> . |

4.5.7.3 MAC/SERDES Link Setup (*CTRL_EXT.LINK_MODE = 11b*)

Link setup procedures using an external SERDES interface mode:

4.5.7.3.1 Hardware Auto-Negotiation Enabled (*PCS_LCTL.AN_ENABLE = 1b; CTRL.FRCSPD = 0b; CTRL.FRCDPLX = 0b*)

| | |
|-------------------|--|
| <i>CTRL.FD</i> | Ignored; duplex is set by priority resolution of <i>PCS_ANDV</i> and <i>PCS_LPAB</i> . |
| <i>CTRL.SLU</i> | Must be set to 1b by software to enable communications to the SerDes. |
| <i>CTRL.RFCE</i> | Set by hardware according to auto negotiation resolution ¹ . |
| <i>CTRL.TFCE</i> | Set by hardware according to auto negotiation resolution ¹ . |
| <i>CTRL.SPEED</i> | Ignored; speed always 1000 Mb/s when using SerDes mode communications. |
| <i>STATUS.FD</i> | Reflects hardware-negotiated priority resolution. |
| <i>STATUS.LU</i> | Reflects <i>PCS_LSTS.AN_COMPLETE</i> (auto-negotiation complete) and link is up. |

1. If *PCS_LCTL.Force Flow Control* is set, the auto-negotiation result is not reflected in the *CTRL.RFCE* and *CTRL.TFCE* registers. In this case, software must set these fields after reading flow control resolution from PCS registers.



| | |
|------------------------------------|---|
| <i>STATUS.SPEED</i> | Reflects 1000Mb/s speed, reporting fixed value of 10b. |
| <i>PCS_LCTL.FSD</i> | Must be zero. |
| <i>PCS_LCTL.Force Flow Control</i> | Must be zero ¹ . |
| <i>PCS_LCTL.FSV</i> | Must be set to 10b. Only 1000 Mb/s is supported in SerDes mode. |
| <i>PCS_LCTL.FDV</i> | Ignored; duplex is set by priority resolution of <i>PCS_ANDV</i> and <i>PCS_LPAB</i> . |
| <i>PCS_LCTL.AN TIMEOUT EN</i> | Must be 1b to enable auto-negotiation time-out. |
| <i>CONNSW.ENRGSRC</i> | Must be 0b on 1000BASE-BX backplane, when source of the signal detect indication is internal. When connected to an optical module and <i>SRDS_[n]_SIG_DET</i> pin is connected to the module, should be 1b. |
| <i>CTRL.ILOS</i> | If <i>SRDS_[n]_SIG_DET</i> pin connected to optical module, should be set according to optical module polarity. |

4.5.7.3.2 Auto-Negotiation Skipped (*PCS_LCTL.AN ENABLE = 0b*; *CTRL.FRCSPD = 1b*; *CTRL.FRCDPLX = 1b*)

| | |
|------------------------------------|---|
| <i>CTRL.FD</i> | Must be set to 1b. Only full duplex is supported in SerDes mode. |
| <i>CTRL.SLU</i> | Must be set to 1b by software to enable communications to the SerDes. |
| <i>CTRL.RFCE</i> | Must be 0b (No auto-negotiation). |
| <i>CTRL.TFCE</i> | Must be 0b (No auto-negotiation). |
| <i>CTRL.SPEED</i> | Must be set to 10b. Only 1000 Mb/s is supported in SerDes mode. |
| <i>STATUS.FD</i> | Reflects the value written by software to <i>CTRL.FD</i> . |
| <i>STATUS.LU</i> | Reflects whether the PCS is synchronized, qualified with <i>CTRL.SLU</i> (set to 1b). |
| <i>STATUS.SPEED</i> | Reflects 1000 Mb/s speed, reporting fixed value of (10b). |
| <i>PCS_LCTL.FSD</i> | Must be set to 1b by software to enable communications to the SerDes. |
| <i>PCS_LCTL.Force Flow Control</i> | Must be set to 1b. |
| <i>PCS_LCTL.FSV</i> | Must be set to 10b. Only 1000 Mb/s is supported in SerDes mode. |
| <i>PCS_LCTL.FDV</i> | Must be set to 1b Only full duplex is supported in SerDes mode. |
| <i>PCS_LCTL.AN TIMEOUT EN</i> | Must be 0b when auto-negotiation is disabled. |
| <i>CONNSW.ENRGSRC</i> | Must be 0b on 1000BASE-BX backplane, when source of the signal detect indication is internal. When connected to an optical module and <i>SRDS_[n]_SIG_DET</i> pin is connected to the module, should be 1b. |
| <i>CTRL.ILOS</i> | If <i>SRDS_[n]_SIG_DET</i> pin connected to optical module, should be set according to optical module polarity. |

4.5.7.4 MAC/SGMII Link Setup (*CTRL_EXT.LINK_MODE = 10b*)

Link setup procedures using an external SGMII interface mode:

4.5.7.4.1 Hardware Auto-Negotiation Enabled (*PCS_LCTL.AN ENABLE = 1b*, *CTRL.FRCDPLX = 0b*, *CTRL.FRCSPD = 0b*)

| | |
|-----------------|--|
| <i>CTRL.FD</i> | Ignored; duplex is set by priority resolution of <i>PCS_ANDV</i> and <i>PCS_LPAB</i> . |
| <i>CTRL.SLU</i> | Must be set to 1b by software to enable communications to the SerDes. |



| | |
|------------------------------------|---|
| <i>CTRL.RFCE</i> | Must be programmed by software after reading capabilities from external PHY registers and resolving the desired setting. |
| <i>CTRL.TFCE</i> | Must be programmed by software after reading capabilities from external PHY registers and resolving the desired setting. |
| <i>CTRL.SPEED</i> | Ignored; speed setting is established from SGMII's internal indication to the MAC after SGMII PHY has auto-negotiated a successful link-up. |
| <i>STATUS.FD</i> | Reflects hardware-negotiated priority resolution. |
| <i>STATUS.LU</i> | Reflects <i>PCS_LSTS.Link OK</i> |
| <i>STATUS.SPEED</i> | Reflects actual speed setting negotiated by the SGMII and indicated to the MAC. |
| <i>PCS_LCTL.Force Flow Control</i> | Ignored. |
| <i>PCS_LCTL.FSD</i> | Should be set to zero. |
| <i>PCS_LCTL.FSV</i> | Ignored; speed is set by priority resolution of <i>PCS_ANDV</i> and <i>PCS_LPAB</i> . |
| <i>PCS_LCTL.FDV</i> | Ignored; duplex is set by priority resolution of <i>PCS_ANDV</i> and <i>PCS_LPAB</i> . |
| <i>PCS_LCTL.AN TIMEOUT EN</i> | Must be 0b. Auto-negotiation time-out should be disabled in SGMII mode. |
| <i>CONNSW.ENRGSRC</i> | Must be 0b. In SGMII mode source of the signal detect indication is internal. |

4.5.7.5 MAC/1000BASE-KX Link Setup (*CTRL_EXT.LINK_MODE = 01b*)

4.5.7.5.1 Auto-Negotiation Skipped (*PCS_LCTL.AN ENABLE = 0b; CTRL.FRCSPD = 1b; CTRL.FRCDPLX = 1b*)

Link setup procedures using an external 1000BASE-KX server backplane interface mode:

| | |
|------------------------------------|---|
| <i>CTRL.FD</i> | Must be set to 1b. 1000BASE-KX always in full duplex mode. |
| <i>CTRL.SLU</i> | Must be set to 1b by software to enable communications to the SerDes. |
| <i>CTRL.RFCE</i> | Must be 0b (no auto-negotiation). |
| <i>CTRL.TFCE</i> | Must be 0b (no auto-negotiation). |
| <i>CTRL.SPEED</i> | Must be set to 10b. Only 1000 Mb/s is supported in 1000BASE-KX mode. |
| <i>STATUS.FD</i> | Reflects the value written by software to <i>CTRL.FD</i> . |
| <i>STATUS.LU</i> | Reflects whether the PCS is synchronized, qualified with <i>CTRL.SLU</i> (set to 1b). |
| <i>STATUS.SPEED</i> | Reflects 1000Mb/s speed, reporting fixed value of (10b). |
| <i>PCS_LCTL.FSD</i> | Must be set to 1b by software to enable communications to the 1000BASE-KX SerDes. |
| <i>PCS_LCTL.Force Flow Control</i> | Must be set to 1b. |
| <i>PCS_LCTL.FSV</i> | Must be set to 10b. Only 1000 Mb/s is supported in 1000BASE-KX mode. |
| <i>PCS_LCTL.FDV</i> | Must be set to 1b. Only full duplex is supported in 1000BASE-KX mode. |
| <i>PCS_LCTL.AN TIMEOUT EN</i> | Must be 0b. Auto-negotiation not supported in 1000BASE-KX mode. |
| <i>CONNSW.ENRGSRC</i> | Must be 0b. In 1000BASE-KX mode source of the signal detect indication is internal. |



4.5.8 Initialization of Statistics

Statistics registers are hardware-initialized to values as detailed in each particular register's description. The initialization of these registers begins upon transition to D0active power state (when internal registers become accessible, as enabled by setting the *Memory Access Enable* bit of the PCIe Command register), and is guaranteed to be completed within 1 μ s of this transition. Access to statistics registers prior to this interval might return indeterminate values.

All of the statistical counters are cleared on read and a typical device driver reads them (thus making them zero) as a part of the initialization sequence.

4.5.9 Receive Initialization

Program the receive address register(s) per the station address. This can come from the Flash or by any other means (for example, on some machines, this comes from the system PROM not the Flash on the adapter card).

Set up the Multicast Table Array (MTA) by software. This means zeroing all entries initially and adding in entries as requested.

Program the RXPBSIZE register so that the total size formed by the receive packet buffer plus the BMC to OS buffer plus the transmit packet buffer(s) plus the OS to BMC buffer does not exceed 60 KB:

$$\text{RXPBSIZE.Rxpbsize} + \text{RXPBSIZE.Bmc2ospbsize} + \text{TXPBSIZE.Txpb0size} + \text{TXPBSIZE.Txpb1size} + \text{TXPBSIZE.Txpb2size} + \text{TXPBSIZE.Txpb3size} + \text{TXPBSIZE.os2Bmcpbsize} \leq 60 \text{ KB}$$

Program *RCTL* with appropriate values. If initializing it at this stage, it is best to leave the receive logic disabled (*RCTL.RXEN* = 0b) until after the receive descriptor rings have been initialized. If VLANs are not used, software should clear *VFE*. Then there is no need to initialize the *VFTA*. Select the receive descriptor type.

The following should be done once per receive queue needed:

1. Allocate a region of memory for the receive descriptor list.
2. Receive buffers of appropriate size should be allocated and pointers to these buffers should be stored in the descriptor ring.
3. Program the descriptor base address with the address of the region.
4. Set the length register to the size of the descriptor ring.
5. Program *SRRCTL* of the queue according to the size of the buffers, the required header handling and the drop policy.
6. If header split or header replication is required for this queue, program the *PSRTYPE* register according to the required headers.
7. Enable the queue by setting *RXDCTL.ENABLE*. In the case of queue zero, the enable bit is set by default - so the ring parameters should be set before *RCTL.RXEN* is set.
8. Poll the *RXDCTL* register until the *ENABLE* bit is set. The tail should not be bumped before this bit was read as one.
9. Program the direction of packets to this queue according to the mode selected in the *MRQC* register. Packets directed to a disabled queue are dropped.

Note: The tail register of the queue (*RDT[n]*) should not be bumped until the queue is enabled.



4.5.9.1 Initialize the Receive Control Register

To properly receive packets the receiver should be enabled by setting *RCTL.RXEN*. This should be done only after all other setup is accomplished. If software uses the Receive Descriptor Minimum Threshold Interrupt, that value should be set.

4.5.9.2 Dynamic Enabling and Disabling of Receive Queues

Receive queues can be dynamically enabled or disabled given the following procedure is followed:

Enabling a queue:

- Follow the per queue initialization sequence described in [Section 4.5.9](#).

Note: If there are still packets in the packet buffer assigned to this queue according to previous settings, they are received after the queue is re-enabled. In order to avoid this condition, the software might poll the *PBWAC* register. Once an empty condition of the relevant packet buffer is detected or two wrap around occurrences are detected the queue can be re-enabled.

Disabling a Queue:

1. Disable the packet assignments to this queue.
2. Poll the *PBWAC* register until an empty condition of the relevant packet buffer is detected or two wrap around occurrences are detected.
3. Disable the queue by clearing *RXDCTL.ENABLE*. The I210 stops fetching and writing back descriptors from this queue immediately. The I210 eventually completes the storage of one buffer allocated to this queue. Any further packet directed to this queue is dropped. If the currently processed packet is spread over more than one buffer, all subsequent buffers are not written.
4. The I210 clears *RXDCTL.ENABLE* only after all pending memory accesses to the descriptor ring or to the buffers are done. The software device driver should poll this bit before releasing the memory allocated to this queue.

Note: The Rx path can be disabled only after all Rx queues are disabled.

4.5.10 Transmit Initialization

- Program the *TCTL* register according to the MAC behavior needed.
- Program the *TXPBSIZE* register so any transmit buffer that is in use is at least greater to twice the maximum packet size that might be stored in it. In addition, comply to the setting rules defined in [Section 4.5.9](#).

If operation in half duplex mode is expected, program the *TCTL_EXT.COLD* field. For internal PHY mode the default value of 0x42 is acceptable. For SGMII mode, a value reflecting the I210 and the PHY SGMII delays should be used. A suggested value for a typical PHY is 0x46 for 10 Mbps and 0x4C for 100 Mb/s.

The following should be done once per transmit queue:

- Allocate a region of memory for the transmit descriptor list.
- Program the descriptor base address with the address of the region.
- Set the length register to the size of the descriptor ring.
- Program the *TXDCTL* register with the desired Tx descriptor write back policy. Suggested values are:
 - *WTHRESH* = 1b
 - All other fields 0b.



- If needed, set *TDWBAL/TWDBAH* to enable head write back.
- Enable the queue using *TXDCTL.ENABLE* (queue zero is enabled by default).
- Poll the TXDCTL register until the *ENABLE* bit is set.

Note: The tail register of the queue (*TDT[n]*) should not be bumped until the queue is enabled. Enable transmit path by setting *TCTL.EN*. This should be done only after all other settings are done.

4.5.10.1 Dynamic Queue Enabling and Disabling

Transmit queues can be dynamically enabled or disabled given the following procedure is followed:

Enabling:

- Follow the per queue initialization described in the previous section.

Disabling:

- Stop storing packets for transmission in this queue.
- Wait until the head of the queue (*TDH*) is equal to the tail (*TDT*); the queue is empty.
- Disable the queue by clearing *TXDCTL.ENABLE*.

The Tx path might be disabled only after all Tx queues are disabled.

4.5.11 Alternate MAC Address Support

In some systems, the MAC address used by a port needs to be replaced with a temporary MAC address in a way that is transparent to the software layer. One possible usage is in blade systems, to enable a standby blade to use the MAC address of another blade that failed, so that the network image of the entire blade system does not change.

In order to enable this mode, a management console might change the MAC address in the Flash image. It is important in this case to be able to keep the original MAC address of the device as programmed at the factory.

In order to support this mode, the I210 provides the *Alternate Ethernet MAC Address Flash* structure to store the original MAC address. This structure is described in [Section 6.8.8](#). When the MAC address is changed, the port factory MAC address should be written to the *Alternate Ethernet MAC Address* structure before writing the new Ethernet MAC address to the ports *Ethernet Address Flash* words (refer to [Section 6.2.1](#)).

In some systems, it might be advantageous to restore the original MAC address at power on reset, to avoid conflicts where two network controllers would have the same MAC address. At power up, the I210 restores the LAN MAC addresses stored in the *Alternate Ethernet MAC Address Flash* structure to the regular *Ethernet MAC address Flash* words (refer to [Section 6.2.1](#)) if the following conditions are met:

1. The *restore MAC address* bit in the *Common Firmware Parameters Flash* word is set ([Section 6.7.1.2](#)).
2. The value in word 0x37 ([Section 6.8.8](#)) is not 0xFFFF.
3. The MAC address set in the regular *Ethernet MAC Address Flash* words is different than the address stored in the *Alternate Ethernet MAC address Flash* structure.
4. The address stored in the alternate Ethernet MAC address structure is valid (not all zeros or all ones).



If the factory MAC address was restored by the internal firmware, the *FWSM.Factory MAC address restored* bit is set.

If the value at word 0x37 is valid, but the MAC addresses in the alternate MAC structure are not valid (0xFFFFFFFF), the regular MAC address is backed up in the alternate MAC structure.

The I210 supports replacing the MAC address with a BIOS CLP interface.

4.6 Access to Shared Resources

Part of the resources in the I210 are shared between several software entities - namely the driver and the internal firmware. In order to avoid contentions, a software device driver that needs to access one of these resources should use the flow described in [Section 4.6.1](#) in order to acquire ownership of this resource and use the flow described in [Section 4.6.2](#) in order to relinquish ownership of this resource.

The shared resources are:

1. Flash.
2. The PHYs or SerDes port.
3. CSRs accessed by the internal firmware after the initialization process. Currently there are no such CSRs.
4. SVR/LVR control registers.
5. Management Host Interface
6. I²C register set

Note: Any other software tool that accesses the register set directly should also follow the flow described in the sections that follow.

4.6.1 Acquiring Ownership Over a Shared Resource

The following flow should be used to acquire a shared resource:

1. Get ownership of the software/software semaphore SWSM.SMBI (offset 0x5B50 bit 0).
 - a. Read the SWSM register.
 - b. If SWSM.SMBI is read as zero, the semaphore was taken.
 - c. Otherwise, go back to step a.

This step assures that other software will not access the shared resources register (SW_FW_SYNC).
2. Get ownership of the software/firmware semaphore SWSM.SWESMBI (offset 0x5B50 bit 1):
 - a. Set the SWSM.SWESMBI bit.
 - b. Read SWSM.
 - c. If SWSM.SWESMBI was successfully set - the semaphore was acquired - otherwise, go back to step a.

This step assures that the internal firmware will not access the shared resources register (SW_FW_SYNC).
3. Software reads the Software-Firmware Synchronization Register (SW_FW_SYNC) and checks both bits in the pair of bits that control the resource it wants to own.
 - a. If both bits are cleared (both firmware and other software does not own the resource), software sets the software bit in the pair of bits that control the resource it wants to own.



- b. If one of the bits is set (firmware or other software owns the resource), software tries again later.
4. Release ownership of the software/software semaphore and the software/firmware semaphore by clearing SWSM.SMBI and SWSM.SWESMBI bits.
5. At this stage, the shared resources is owned by the software device driver and it might access it. The SWSM and SW_FW_SYNC registers can now be used to take ownership of another shared resources.

Note: Software ownership of SWSM.SWESMBI bit should not exceed 100 ms. If software takes ownership for a longer duration, firmware might implement a timeout mechanism and take ownership of the SWSM.SWESMBI bit.

Note: Software ownership of bits in the SW_FW_SYNC register should not exceed 1 second. If software takes ownership for a longer duration, firmware might implement a timeout mechanism and take ownership of the relevant SW_FW_SYNC bits.

4.6.2 Releasing Ownership Over a Shared Resource

The following flow should be used to release a shared resource:

1. Get ownership of the software/software semaphore SWSM.SMBI (offset 0x5B50 bit 0).
 - a. Read the SWSM register.
 - b. If SWSM.SMBI is read as zero, the semaphore was taken.
 - c. Otherwise, go back to step a.

This step assures that other software will not access the shared resources register (SW_FW_SYNC).
2. Get ownership of the software/firmware semaphore SWSM.SWESMBI (offset 0x5B50 bit 1):
 - a. Set the SWSM.SWESMBI bit.
 - b. Read SWSM.
 - c. If SWSM.SWESMBI was successfully set - the semaphore was acquired - otherwise, go back to step a.

This step assures that the internal firmware will not access the shared resources register (SW_FW_SYNC).
3. Clear the bit in SW_FW_SYNC that controls the software ownership of the resource to indicate this resource is free.
4. Release ownership of the software/software semaphore and the software/firmware semaphore by clearing SWSM.SMBI and SWSM.SWESMBI bits.
5. At this stage, the shared resource are released by the driver and it may not access it. The SWSM and SW_FW_SYNC registers can now be used to take ownership of another shared resource.



5.0 Power Management

This section describes how power management is implemented in the I210. The I210 supports the Advanced Configuration and Power Interface (ACPI) specification as well as Advanced Power Management (APM).

Power management can be disabled via the *power management* bit in the *Initialization Control Word 1* Flash word (see [Section 6.2.2](#)), which is loaded during power-up reset. Even when disabled, the power management register set is still present. Power management support is required by the PCIe specification.

5.1 General Power State Information

5.1.1 PCI Device Power States

The PCIe Specification defines function power states (D-states) that enable the platform to establish and control power states for the I210 ranging from fully on to fully off (drawing no power) and various in-between levels of power-saving states, annotated as D0-D3. Similarly, PCIe defines a series of link power states (L-states) that work specifically within the link layer between the I210 and its upstream PCIe port (typically in the host chipset).

For a given device D-state, only certain L-states are possible as follows.

- D0 (fully on): The I210 is completely active and responsive during this D-state. The link can be in either L0 or a low-latency idle state referred to as L0s. Minimizing L0s exit latency is paramount for enabling frequent entry into L0s while facilitating performance needs via a fast exit. A deeper link power state, L1 state, is supported as well.
- D1 and D2: These modes are not supported by the I210.
- D3 (off): Two sub-states of D3 are supported:
 - D3hot, where primary power is maintained.
 - D3cold, where primary power is removed.

Link states are mapped into device states as follows:

- D3hot maps to L1 to support clock removal on mobile platforms
- D3cold maps to L2 if auxiliary power is supported on the I210 with wake-capable logic, or to L3 if no power is delivered to the I210. A sideband PE_WAKE_N mechanism is supported to interface wake-enabled logic on mobile platforms during the L2 state.

5.1.2 PCIe Link Power States

[Table 5-1](#) lists allowable mapping from D-states to L-states on the PCIe link.

Configuring the I210 into a D-state automatically causes the PCIe link to transition to the appropriate L-state.

- L2/L3 Ready: This link state prepares the PCIe link for the removal of power and clock. The I210 is in the D3hot state and is preparing to enter D3cold. The power-saving opportunities for this state include, but are not limited to, clock gating of all PCIe architecture logic, shutdown of the PLL, and shutdown of all transceiver circuitry.
- L2: This link state is intended to comprehend D3cold with auxiliary power support. Note that sideband PE_WAKE_N signaling exists to cause wake-capable devices to exit this state. The power-saving opportunities for this state include, but are not limited to, shutdown of all transceiver circuitry except detection circuitry to support exit, clock gating of all PCIe logic, and shutdown of the PLL as well as appropriate platform voltage and clock generators.
- L3 (link off): Power and clock are removed in this link state, and there is no auxiliary power available. To bring the I210 and its link back up, the platform must go through a boot sequence where power, clock, and reset are reapplied appropriately.

5.2 Power States

The I210 supports the D0 and D3 architectural power states as described earlier. Internally, the I210 supports the following power states:

- D0u (D0 un-initialized) - an architectural sub-state of D0
- D0a (D0 active) - an architectural sub-state of D0
- D3 - architecture state D3hot
- Dr - internal state that contains the architecture D3cold state. Dr state is entered when PE_RST_N is asserted or a PCIe in-band reset is received

Figure 5-1 shows the power states and transitions between them.

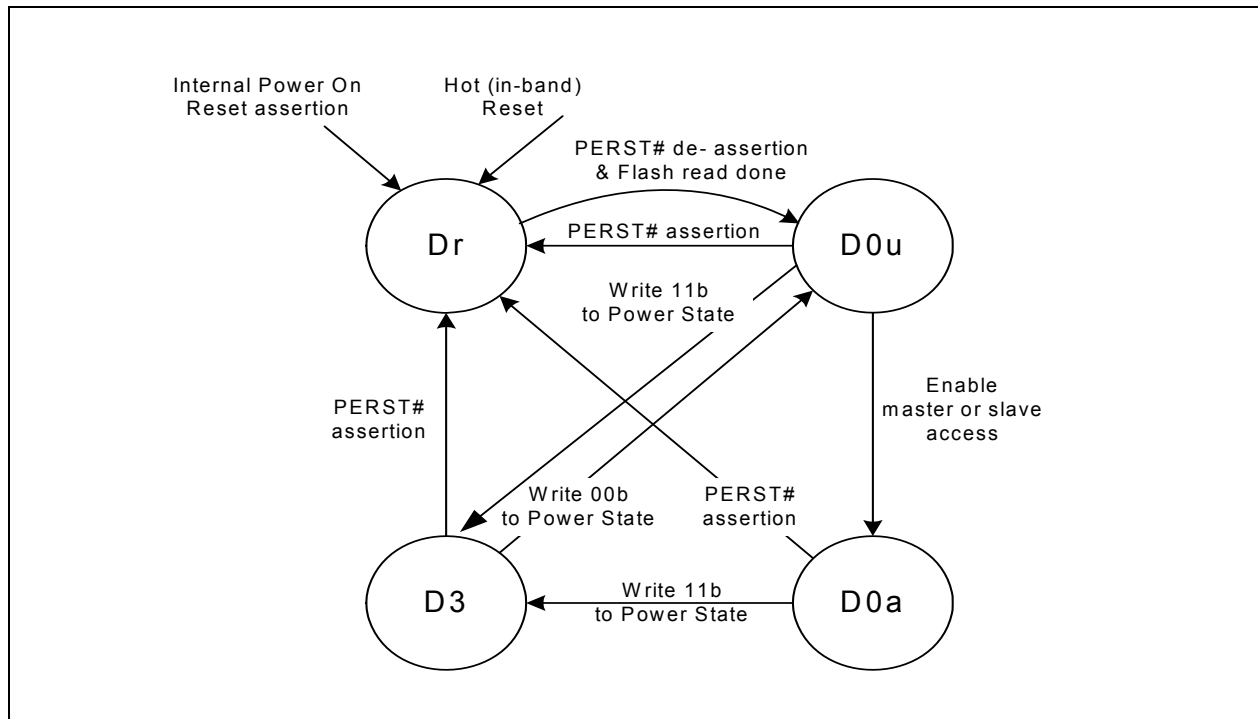




Figure 5-1. Power Management State Diagram

5.2.1 D0 Uninitialized State (D0u)

The D0u state is an architectural low-power state.

When entering D0u, the I210:

- Asserts a reset to the PHY while the Flash is being read.
- Disables wake up. However APM wake up is enabled (See additional information in [Section 5.6.1](#)), if all of the following register bits are set:
 - The *WUC.APME* bit is set to 1b.
 - The *WUC.APMPME* bit or the *PMCSR.PME_en* bits are set to 1b.
 - The *WUC.EN_APM_D0* bit is set to 1b.

5.2.1.1 Entry into D0u state

D0u is reached from either the Dr state (on de-assertion of *PE_RST_N*) or the D3hot state (by configuration software writing a value of 00b to the *Power State* field of the PCI PM registers).

De-asserting *PE_RST_N* means that the entire state of the I210 is cleared, other than sticky bits. State is loaded from the Flash, followed by establishment of the PCIe link. Once this is done, configuration software can access the I210.

On a transition from D3hot state to D0u state, the I210 PCI configuration space is not reset (since the *No_Soft_Reset* bit in the *PMCSR* register is set to 1b). However following move to D0a state, the I210 requires that the software device driver perform a full re-initialization of the function.

5.2.2 D0active State

Once memory space is enabled, the I210 enters the D0 active state. It can transmit and receive packets if properly configured by the software device driver. The PHY is enabled or re-enabled by the software device driver to operate/auto-negotiate to full line speed/power if not already operating at full capability.

Notes:

1. In the I210, if the *WUC.EN_APM_D0* is cleared to 0b an APM wake event due to reception of a Magic packet is not generated when the function is not in D3 (or Dr) state. Any APM wake up previously active remains active when moving from D3 to D0.
2. If APM wake is required in D3 software device driver should not disable APM wake-up via the *WUC.APME* bit on D0 entry. Otherwise APM wake following a system crash and entry into S3, S4 or S5 system power management state is not enabled.
3. Following entry into D0, the software device driver can activate other wake-up filters by writing to the Wake Up Filter Control (*WUFC*) register.

5.2.2.1 Entry to D0a State

D0a is entered from the D0u state by writing a 1b to the *Memory Access Enable* or the *I/O Access Enable* bit of the PCI Command register (See [Section 9.3.3](#)). The DMA, MAC, and PHY of the appropriate LAN function are also enabled.



5.2.3 D3 State (PCI-PM D3hot)

The I210 transitions to D3 when the system writes a 11b to the Power State field of the *Power Management Control/Status Register (PMCSR)*. Any wake-up filter settings that were enabled before entering this state are maintained. If the *PMCSR.No_Soft_reset* bit is cleared upon completion or during the transition to D3 state, the I210 clears the *Memory Access Enable* and *I/O Access Enable* bits of the PCI Command register, which disables memory access decode. If the *PMCSR.No_Soft_reset* bit is set the I210 doesn't clear any bit in the PCIe configuration space. While in D3, the I210 does not generate master cycles.

Configuration and message requests are the only TLPs accepted by a function in the D3hot state. All other received requests must be handled as unsupported requests, and all received completions are handled as unexpected completions. If an error caused by a received TLP (such as an unsupported request) is detected while in D3hot, and reporting is enabled, the link must be returned to L0 if it is not already in L0 and an error message must be sent. See section 5.3.1.4.1 in The PCIe Base Specification.

5.2.3.1 Entry to D3 State

Transition to D3 state is through a configuration write to the *Power State* field of the *PMCSR* PCIe configuration register.

Prior to transition from D0 to the D3 state, the software device driver disables scheduling of further tasks to the I210; it masks all interrupts and does not write to the Transmit Descriptor Tail (TDT) register or to the Receive Descriptor Tail (RDT) register and operates the master disable algorithm as defined in [Section 5.2.3.3](#).

If wake up capability is needed, the system should enable wake capability by setting to 1b the *PME_En* bit in the *PMCSR* PCIe configuration register. After wake capability has been enabled, the software device driver should set up the appropriate wake up registers (*WUC*, *WUFC* and associated filters) prior to the D3 transition.

Note: The software device driver can override the *PMCSR.PME_En* bit setting via the *WUC.APMPME* bit.

If Protocol offload (Proxying) capability is required and the *MANC.MPROXYE* bit is set to 1b, the software device driver should:

1. Send to the firmware the relevant protocol offload information (type of protocol offloads required, MAC and IPv4/6 addresses information for protocol offload) via the shared RAM Firmware/Software Host interface as defined in [Section 8.23.1](#), [Section 10.8](#) and [Section 10.8.2.3](#).
2. Program the *PROXYFC* register and associated filters according to the protocol offload required.
3. Program the *WUC.PPROXYE* bit to 1b.

Note: If operation during $D3_{cold}$ is required, even when wake capability is not required (such as for manageability operation), the system should also set the *Auxiliary (AUX) Power PM Enable* bit in the PCIe Device Control register.

As a response to being programmed into D3 state, the I210 transitions its PCIe link into the L1 link state. As part of the transition into L1 state, the I210 suspends scheduling of new TLPs and waits for the completion of all previous TLPs it has sent. If the *PMCSR.No_Soft_reset* bit is cleared, the I210 clears the *Memory Access Enable* and *I/O Access Enable* bits of the PCI Command register, which disables memory access decode. Any receive packets that have not been transferred into system memory are kept in the I210 (and discarded later on D3 exit). Any transmit packets that have not been sent can still be transmitted (assuming the Ethernet link is up).



In order to reduce power consumption, if the link is still needed for manageability, wake-up or proxying functionality, the PHY can auto-negotiate to a lower link speed on D3 entry (See [Section 3.7.8.5.4](#)).

5.2.3.2 Exit from D3 State

A D3 state is followed by either a D0u state (in preparation for a D0a state) or by a transition to Dr state (PCI-PM D3cold state). To transition back to D0u, the system writes a 00b to the *Power State* field of the Power Management Control/Status Register (PMCSR). Transition to Dr state is through *PE_RST_N* assertion.

The *No_Soft_Reset* bit in the PMCSR register in the I210 is set to 1b, to indicate that the I210 does not perform an internal reset on transition from D3hot to D0 so that transition does not disrupt the proper operation of other active functions. In this case, software is not required to re-initialize the function's configuration space after a transition from D3hot to D0 (the function is in the D0_{initialized} state); however, the software device driver needs to re-initialize internal registers since transition from D3hot to D0 causes an internal port reset (similar to asserting the *CTRL.RST* bit).

The I210 can also be configured via Flash to clear the *No_Soft_Reset* bit in the PMCSR register (see [Section 6.2.17](#)). In this case, an internal reset is generated when transition from D3hot to D0 occurs and functional context is not maintained also in PCIe configuration bits (except for bits defined as sticky). In this case, software is required to fully re-initialize the function after a transition to D0 as the Function is in the D0_{uninitialized} state.

Note: The function is reset if the link state has made a transition to the L2/L3 ready state, on transition from D3cold to D0, if FLR is asserted or if transition D3hot to D0 is caused by assertion of PCIe reset (*PE_RST* pin) regardless of the value of the *No_Soft_Reset* bit.

5.2.3.3 Master Disable Via CTRL Register

System software can disable master accesses on the PCIe link by either clearing the *PCI Bus Master* bit or by bringing the function into a D3 state. From that time on, the I210 must not issue master accesses. Due to the full-duplex nature of PCIe, and the pipelined design in the I210, it might happen that multiple requests are pending when the master disable request arrives. The protocol described in this section insures that a function does not issue master requests to the PCIe link after its *Master Enable* bit is cleared (or after entry to D3 state).

Two configuration bits are provided for the handshake between the I210 function and its software device driver:

- *GIO Master Disable* bit in the Device Control (CTRL) register - When the *GIO Master Disable* bit is set, the I210 blocks new master requests by this function. the I210 then proceeds to issue any pending requests by this function. This bit is cleared on master reset (LAN_PWR_GOOD, PCIe reset and software reset) to enable master accesses.
- *GIO Master Enable Status* bit in the Device Status (STATUS) register - Cleared by the I210 when the *GIO Master Disable* bit is set and no master requests are pending and is set otherwise. Indicates that no master requests are issued by this function as long as the *GIO Master Disable* bit is set. The following activities must end before the I210 clears the *GIO Master Enable Status* bit:
 - Master requests by the transmit and receive engines (for both data and MSI/MSI-X interrupts).
 - All pending completions to the I210 are received.



In the event of a PCIe Master disable (Configuration *Command register.BME* set to 0b) or LAN port disabled or if the function is moved into D3 state during a DMA access, the I210 generates an internal reset to the function and stops all DMA accesses and interrupts. Following a move to normal operating mode, the software device driver should re-initialize the receive and transmit queues of the relevant port.

Notes: The software device driver sets the *GIO Master Disable* bit when notified of a pending master disable (or D3 entry). The I210 then blocks new requests and proceeds to issue any pending requests by this function. The software device driver then polls the *GIO Master Enable Status* bit. Once the bit is cleared, it is guaranteed that no requests are pending from this function. The software device driver might time out if the *GIO Master Enable Status* bit is not cleared within a given time.

The *GIO Master Disable* bit must be cleared to enable a master request to the PCIe link. This can be done either through reset or by the software device driver.

5.2.4 Dr State (D3cold)

Transition to Dr state is initiated on several occasions:

- On system power up - Dr state begins with the assertion of the internal power detection circuit and ends with de-assertion of *PE_RST_N*.
- On transition from a D0a state - During operation the system might assert *PE_RST_N* at any time. In an ACPI system, a system transition to the G2/S5 state causes a transition from D0a to Dr state.
- On transition from a D3 state - The system transitions the I210 into the Dr state by asserting PCIe *PE_RST_N*.

Any wake-up filter settings or proxying filter settings that were enabled before entering this reset state are maintained.

The system might maintain *PE_RST_N* asserted for an arbitrary time. The de-assertion (rising edge) of *PE_RST_N* causes a transition to D0u state.

While in Dr state, the I210 might enter one of several modes with different levels of functionality and power consumption. The lower-power modes are achieved when the I210 is not required to maintain any functionality (see [Section 5.2.4.1](#)).

5.2.4.1 Dr Disable Mode

The I210 enters a Dr disable mode on transition to D3cold state when it does not need to maintain any functionality. The conditions to enter either state are:

- The I210 is in Dr state
- APM WoL (Wake-on-LAN) is inactive
- Proxying is not required (*WUC.PPROXYE* is cleared to 0b).
- Pass-through manageability is disabled
- ACPI PME is disabled
- The *PHY Power Down Enable* Flash bit is set (word 0xF, bit 6).

Entering Dr disable mode is usually done by asserting PCIe *PE_RST_N*. It might also be possible to enter Dr disable mode by reading the Flash while already in Dr state. The usage model for this later case is on system power up, assuming that manageability, wake up and proxying are not required.



Once the I210 enters Dr state on power-up, the Flash is read. If the Flash contents determine that the conditions to enter Dr disable mode are met, the I210 then enters this mode (assuming that PCIe *PE_RST_N* is still asserted).

The I210 exits Dr disable mode when Dr state is exited (See [Figure 5-1](#) for conditions to exit Dr state).

Refer to Section 5.2.6 for details about the static/dynamic device off states built on Dr Disable Mode.

5.2.4.2 Entry to Dr State

Dr entry on platform power-up begins with the assertion of the internal power detection circuit. The Flash is read and determines the I210 configuration. If the *APM Enable* bit in the Flash's *Initialization Control Word 3* is set, then APM wake up is enabled. PHY and MAC states are redetermined by the state of manageability and APM wake. To reduce power consumption, if manageability or APM wake is enabled, the PHY auto-negotiates to a lower link speed on Dr entry (See [Section 3.7.8.5.4](#)). The PCIe link is not enabled in Dr state following system power up (since *PE_RST_N* is asserted).

Entering Dr state from D0a state is done by asserting *PE_RST_N*. An ACPI transition to the G2/S5 state is reflected in the I210 transition from D0a to Dr state. The transition can be orderly (such as user selecting the shut down option), in which case the software device driver might have a chance to intervene. Or, it might be an emergency transition (such as power button override), in which case, the software device driver is not notified.

To reduce power consumption, if any of manageability, APM wake or PCI-PM PME¹ is enabled, the PHY auto-negotiates to a lower link speed on D0a to Dr transition (see [Section 3.7.8.5.4](#)).

Transition from D3 (hot) state to Dr state is done by asserting *PE_RST_N*. Prior to that, the system initiates a transition of the PCIe link from L1 state to either the L2 or L3 state (assuming all functions were already in D3 state). The link enters L2 state if PCI-PM PME is enabled.

5.2.4.3 Auxiliary Power Usage

The Flash *D3COLD_WAKEUP_ADVEN* bit and the *AUX_PWR* strapping pin determine when D3cold PME is supported:

- *D3COLD_WAKEUP_ADVEN* denotes that PME wake should be supported
- *AUX_PWR* strapping pin indicates that auxiliary power is provided

D3cold PME is supported as follows:

- If the *D3COLD_WAKEUP_ADVEN* is set to 1b and the *AUX_PWR* strapping is set to 1b, then *D3cold PME* is supported
- Else *D3cold PME* is not supported

The amount of power required for the function (including the entire NIC) is advertised in the Power Management Data register, which is loaded from the Flash.

If D3cold is supported, the *PME_En* and *PME_Status* bits of the PMCSR, as well as their shadow bits in the Wake Up Control (WUC) register are reset only by the power-up reset (detection of power rising).

1. ACPI 2.0 specifies that "OSPM will not disable wake events before setting the SLP_EN bit when entering the S5 sleeping state. This provides support for remote management initiatives by enabling Remote Power On (RPO) capability. This is a change from ACPI 1.0 behavior."



5.2.5 Link Disconnect

In any of D0u, D0a, D3, or Dr power states, the I210 enters a link-disconnect state if it detects a link-disconnect condition on the Ethernet link. Note that the link-disconnect state in the internal PHY is invisible to software (other than the *PHPM.Link Energy Detect* bit state). In particular, while in D0 state, software might be able to access any of the I210 registers as in a link-connect state.

5.2.6 Device Off States

Note: One single device off mode can be enabled in the Flash at the same time, either Static or Dynamic Device Off mode.

5.2.6.1 (Static) Device Off

The I210 enters a global power-down state when the DEV_OFF_N pin is asserted and the relevant Flash bits were configured as previously described (see [Section 4.4.4](#) for more details on DEV_OFF_N functionality).

5.2.6.2 Dynamic Device Off

The I210 enters a global power-down state dynamically, each time all of the following conditions are met:

- The I210 *Dynamic Device Off Enable* Flashbit (word 0x1E bit 14) was set (default hardware value is disabled).
- WoL and Proxy functionalities are not required
- Manageability does not require the link. This occurs if:
 - Manageability is disabled or
 - Manageability mode is NC-SI and the conditions described in [Section 10.6.2.2](#) are fulfilled.
-

When in this state, the direction of SDP pins is either maintained or the pins are moved to High Impedance according to a setting made in SDP_DDOFF_EN bit in Flash word 0x0A.

Refer also to [Section 3.7.8.5.7](#).

5.3 Power Limits by Certain Form Factors

Table 5-1 lists power limitation introduced by different form factors.

Table 5-1. Power Limits by Form-Factor

| | Form Factor | |
|--------------------------|----------------|------------------------------|
| | LOM | PCIe add-in card (10 W slot) |
| Main | N/A | 3 A @ 3.3 V |
| Auxiliary (aux enabled) | 375 mA @ 3.3 V | 375 mA @ 3.3 V |
| Auxiliary (aux disabled) | 20 mA @ 3.3 V | 20 mA @ 3.3 V |

Note: This auxiliary current limit only applies when the primary 3.3 V voltage source is not available (the card is in a low power D3 state).



The I210 exceeds the allocated auxiliary power in some configurations. The I210 must therefore be configured to meet the previously mentioned requirements. To do so, the I210 implements three Flash bits to disable operation in certain cases:

1. The *PHPM.Disable_1000* PHY register bit disables 1000 Mb/s operation under all conditions.
2. The *PHPM.Disable 1000 in non-D0a* PHY CSR bit disables 1000 Mb/s operation in non-D0a states¹. If *PHPM.Disable 1000 in non-D0a* is set, and the I210 is at 1000 Mb/s speed on entry to a non-D0a state, then the I210 removes advertisement for 1000 Mb/s and auto-negotiates.
3. The *PHPM.Disable 100 in non-D0a* PHY CSR bit disables 1000 Mb/s and 100 Mb/s operation in non-D0a states. If *PHPM.Disable 100 in non-D0a* is set, and the I210 is at 1000 Mb/s or 100 Mb/s speeds on entry to a non-D0a state, then the I210 removes advertisement for 1000 Mb/s and 100 Mb/s and auto-negotiates.

Note that the I210 restarts link auto-negotiation each time it transitions from a state where 1000 Mb/s or 100 Mb/s speed is enabled to a state where 1000 Mb/s or 100 Mb/s speed is disabled, or vice versa. For example, if *PHPM.Disable 1000 in non-D0a* is set but *PHPM.Disable_1000* is cleared, the I210 restarts link auto-negotiation on transition from D0 state to D3 or Dr states.

5.4 Interconnects Power Management

This section describes the power reduction techniques employed by the I210 main interconnects.

5.4.1 PCIe Link Power Management

The I210 supports all PCIe power management link states:

- L0 state is used in D0u and D0a states.
- The L0s state is used in D0a and D0u states each time link conditions apply.
- The L1 state is also used in D0a and D0u states when idle conditions apply for a longer period of time. The L1 state is also used in the D3 state.
- The L2 state is used in the Dr state following a transition from a D3 state if *PCI-PM PME* is enabled.
- The L3 state is used in the Dr state following power up, on transition from D0a, and if *PME* is not enabled in other Dr transitions.

The I210 support for active state link power management is reported via the PCIe *Active State Link PM Support* register and is loaded from the Flash.

1. The restriction is defined for all non-D0a states to have compatible behavior with previous products.

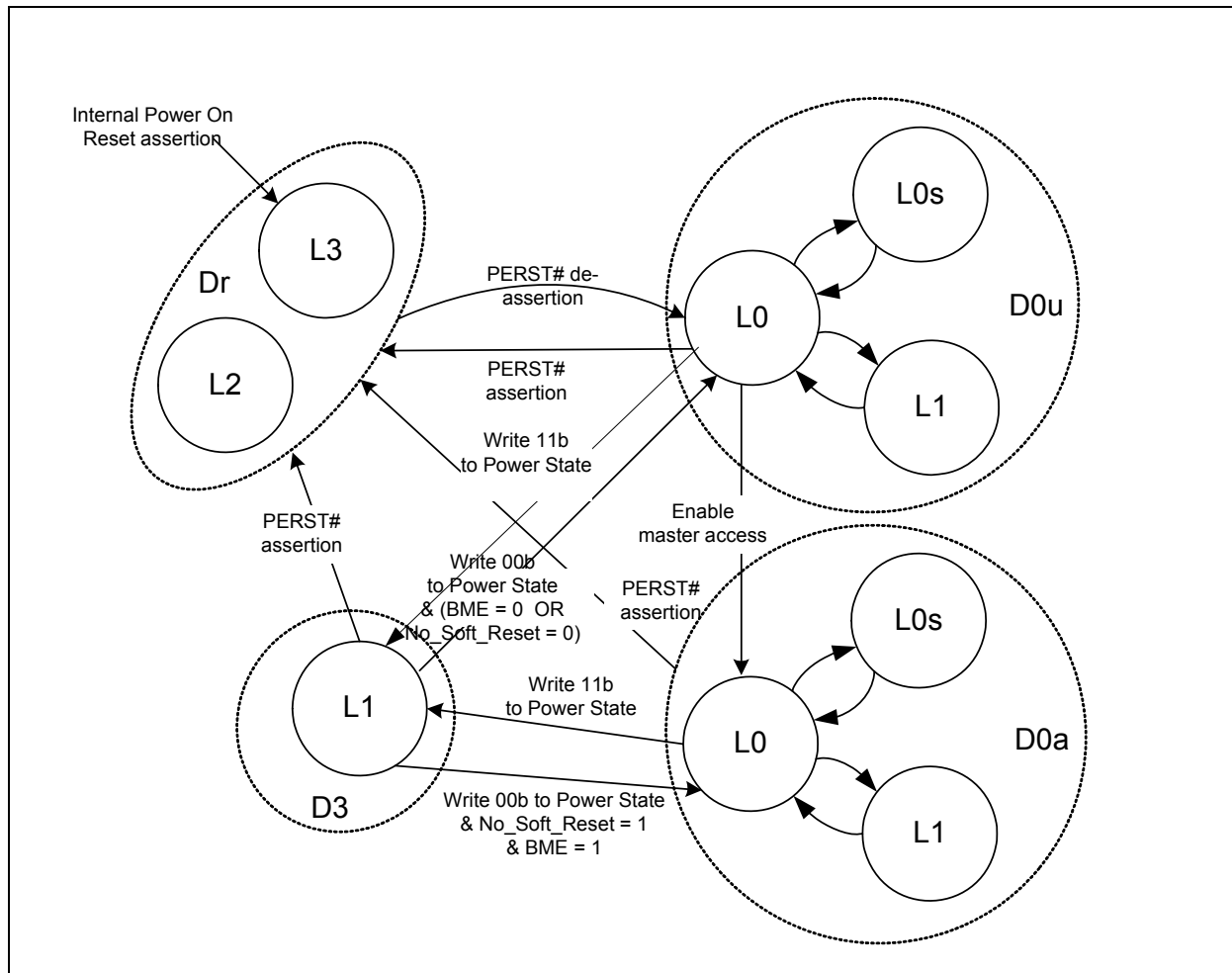


Figure 5-2. Link Power Management State Diagram

While in L0 state, the I210 transitions the transmit lane(s) into L0s state once the idle conditions are met for a period of time as follows:

L0s configuration fields are:

- L0s enable - The default value of the *Active State Link PM Control* field in the PCIe Link Control Register is set to 00b (both L0s and L1 disabled). System software might later write a different value into the Link Control register. The default value is loaded on any reset of the PCI configuration registers.
- L0s exit latency (as published in the *L0s Exit Latency* field of the Link Capabilities register) is loaded from Flash. Separate values are loaded when the I210 shares the same reference PCIe clock with its partner across the link, and when the I210 uses a different reference clock than its partner across the link. The I210 reports whether it uses the slot clock configuration through the PCIe Slot Clock Configuration bit loaded from the *Slot_Clock_Cfg* bit in the *PCIe Init Configuration 3* Flash Word.



- L0s Acceptable Latency (as published in the Endpoint L0s Acceptable Latency field of the Device Capabilities Register) is loaded from Flash.

The I210 transitions the link into L0s state once the PCIe link has been idle for a period of time defined in the *Latency_To_Enter_L0s* field in the CSR Auto Configuration Power-Up NVM section (see [Section 6.3](#)). The I210 will then transition the link into L1 state once the PCIe link has been in L0s state for a further period as defined in the *Latency_To_Enter_L1* field in the CSR Auto Configuration Power-Up NVM section.

To comply with the PCIe specification, if the link idle time exceeds the *Latency_To_Enter_L0s* value defined in the Flash, then the I210 enters L0s.

The following Flash fields control L1 behavior:

- *Act_Stat_PM_Sup* - Indicates support for ASPM L1 in the PCIe configuration space (loaded into the Active State Link PM Support field)
- *L1_Act_Ext_Latency* - Defines L1 active exit latency
- *L1_Act_Acc_Latency* - Defines L1 active acceptable exit latency
- *Latency_To_Enter_L1* - Defines the period (in the L0s state) before the transition into L1 state

5.4.2 Internal PHY Power-Management

The PHY power management features are described in [Section 3.7.8.5](#).

5.4.3 SerDes, SGMII and 1000BASE-KX Power Management

The I210 SerDes enters a power-down state when none of its clients is enabled and therefore has no need to maintain a link. This can happen in one of the following cases. Note that SerDes and 1000BASE-KX power-down must be enabled through the *SerDes Low Power Enable* bit in Flash word 0x0F.

1. D3/Dr state: SerDes enters a low-power state if the following conditions are met:
 - a. The LAN function is in a non-D0 state
 - b. APM WOL is inactive
 - c. Pass-through manageability is disabled
 - d. ACPI PME is disabled
 - e. The *Dynamic Device Off Enable* Flash bit is set (word 0x1E.14)
2. PHY mode: SerDes is disabled when its LAN function is configured to PHY mode.
3. Device Off: SerDes can be disabled if the DEV_OFF_N pin is asserted. Since the SerDes is shared between the LAN function and manageability, it might not be desired to power down the SerDes in device disable. The *PHY_in_LAN_Disable* Flash bit (also known as *Veto* bit) determines whether the SerDes is powered down when the device disable pin is asserted. The default is not to power down.

5.5 Timing of Power-State Transitions

The following sections give detailed timing for the state transitions. In the diagrams, the dotted connecting lines represent the I210 requirements, while the solid connecting lines represent the I210 guarantees.

The timing diagrams are not to scale. The clocks edges are shown to indicate running clocks only and are not to be used to indicate the actual number of cycles for any operation.

5.5.1 Power Up (Off to Dup to D0u to D0a)

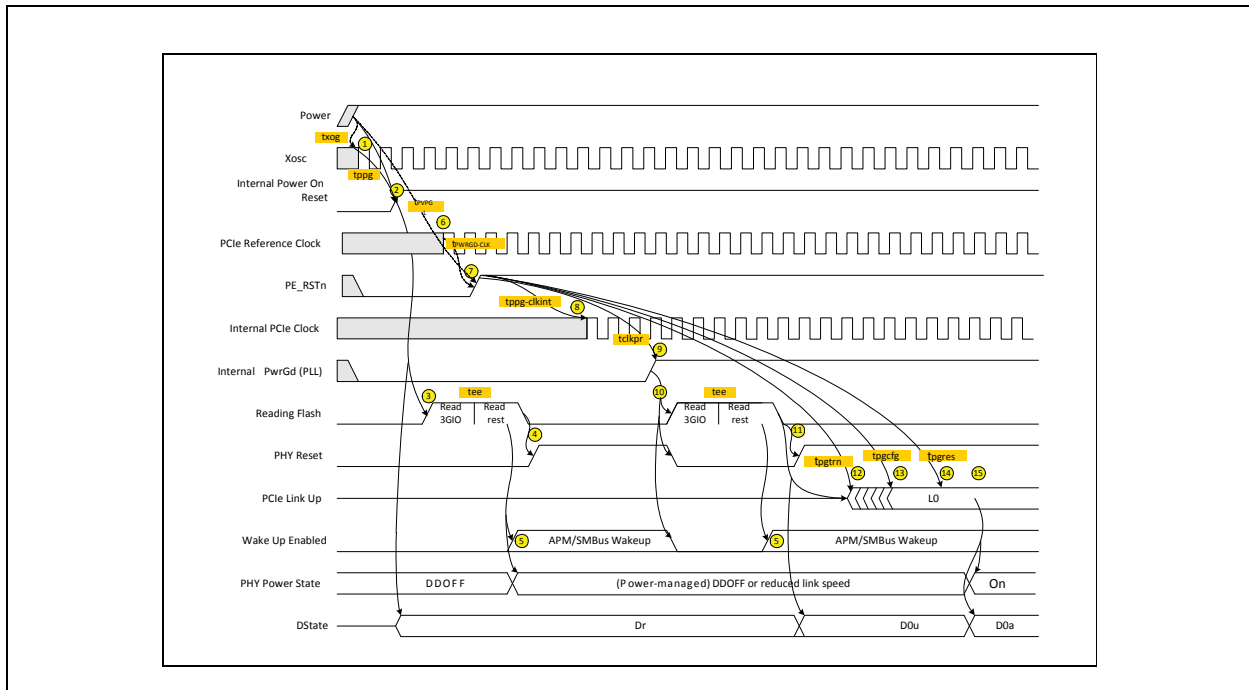


Figure 5-3. Power Up (Off to Dup to D0u to D0a)

Table 5-2. Power Up (Off to Dup to D0u to D0a)

| Note | Description |
|------|--|
| 1 | Xosc is stable t_{xog} after power is stable. |
| 2 | LAN_PWR_GOOD is asserted after all power supplies are good and t_{ppg} after Xosc is stable. |
| 3 | A Flash read starts on the rising edge of LAN_PWR_GOOD. |
| 4 | After reading the Flash, PHY reset is de-asserted. |
| 5 | APM wake-up mode can be enabled based on what is read from the Flash. |
| 6 | The PCIe reference clock is valid $t_{PE_RST_CLK}$ before de-asserting PE_RST_N (according to PCIe specification). |
| 7 | PE_RST_N is de-asserted t_{pVpGL} after power is stable (according to PCIe specification). |
| 8 | The internal PCIe clock is valid and stable $t_{ppg-clkint}$ from PE_RST_N de-assertion. |
| 9 | The PCIe internal PWRGD signal is asserted t_{clkpr} after the external PE_RST_N signal. |
| 10 | Asserting internal PCIe PWRGD causes the Flash to be re-read, asserts PHY reset, and disables wake up. |
| 11 | After reading the Flash, PHY reset is de-asserted. |
| 12 | Link training starts after t_{pgtrn} from PE_RST_N de-assertion. |
| 13 | A first PCIe configuration access might arrive after t_{pgcfg} from PE_RST_N de-assertion. |
| 14 | A first PCI configuration response can be sent after t_{pgres} from PE_RST_N de-assertion. |
| 15 | Writing a 1b to the <i>Memory Access Enable</i> bit in the PCI Command Register transitions the I210 from D0u to D0 state. |



5.5.2 Transition from D0a to D3 and Back Without PE_RST_N

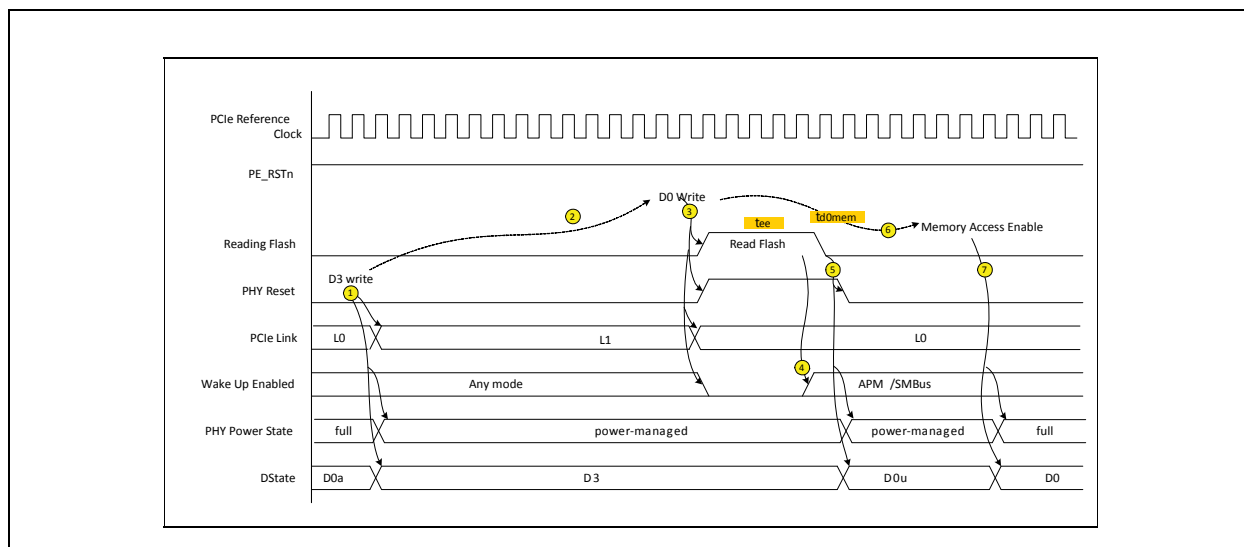


Figure 5-4. Transition from D0a to D3 and Back Without PE_RST_N

Table 5-3. Transition from D0a to D3 and Back Without PE_RST_N

| Note | Description |
|------|---|
| 1 | Writing 11b to the <i>Power State</i> field of the Power Management Control/Status Register (PMCSR) transitions the I210 to D3. |
| 2 | The system can keep the I210 in D3 state for an arbitrary amount of time. |
| 3 | To exit D3 state, the system writes 00b to the <i>Power State</i> field of the PMCSR. |
| 4 | APM wake-up or SMBus mode might be enabled based on what is read in the Flash. |
| 5 | After reading the Flash, reset to the PHY is de-asserted. The PHY operates at reduced-speed if APM wake up or SMBus is enabled, else powered-down. |
| 6 | The system can delay an arbitrary time before enabling memory access. |
| 7 | Writing a 1b to the <i>Memory Access Enable</i> bit or to the <i>I/O Access Enable</i> bit in the PCI Command Register transitions the I210 from D0u to D0 state and returns the PHY to full-power/speed operation. |

5.5.3 Transition From D0a to D3 and Back With PE_RST_N

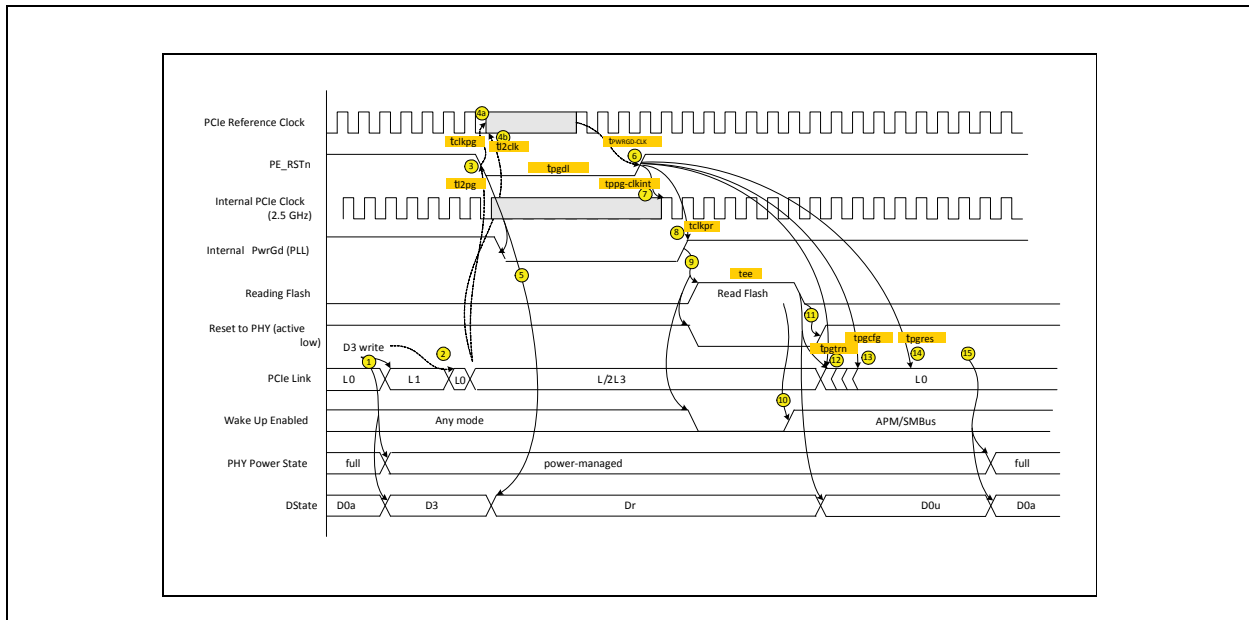


Figure 5-5. Transition From D0a to D3 and Back With PE_RST_N

Table 5-4. Transition From D0a to D3 and Back With PE_RST_N

| Note | Description |
|------|--|
| 1 | Writing 11b to the <i>Power State</i> field of the PMCSR transitions the I210 to D3. PCIe link transitions to L1 state. |
| 2 | The system can delay an arbitrary amount of time between setting D3 mode and moving the link to a L2 or L3 state. |
| 3 | Following link transition, PE_RST_N is asserted. |
| 4 | The system must assert PE_RST_N before stopping the PCIe reference clock. It must also wait t_{2clk} after link transition to L2/L3 before stopping the reference clock. |
| 5 | On assertion of PE_RST_N, the I210 transitions to Dr state. |
| 6 | The system starts the PCIe reference clock $t_{PE_RST_CLK}$ before de-assertion PE_RST_N. |
| 7 | The internal PCIe clock is valid and stable $t_{ppg-clkint}$ from PE_RST_N de-assertion. |
| 8 | The PCIe internal PWRGD signal is asserted t_{clkpr} after the external PE_RST_N signal. |
| 9 | Asserting internal PCIe PWRGD causes the Flash to be re-read, asserts PHY reset, and disables wake up. |
| 10 | APM wake-up mode might be enabled based on what is read from the Flash. |
| 11 | After reading the Flash, PHY reset is de-asserted. |
| 12 | Link training starts after t_{pgtrn} from PE_RST_N de-assertion. |
| 13 | A first PCIe configuration access might arrive after t_{pgcf} from PE_RST_N de-assertion. |
| 14 | A first PCI configuration response can be sent after t_{pgres} from PE_RST_N de-assertion. |
| 15 | Writing a 1b to the <i>Memory Access Enable</i> bit in the PCI Command Register transitions the I210 from D0u to D0 state. |



5.5.4 Transition From D0a to Dr and Back Without Transition to D3

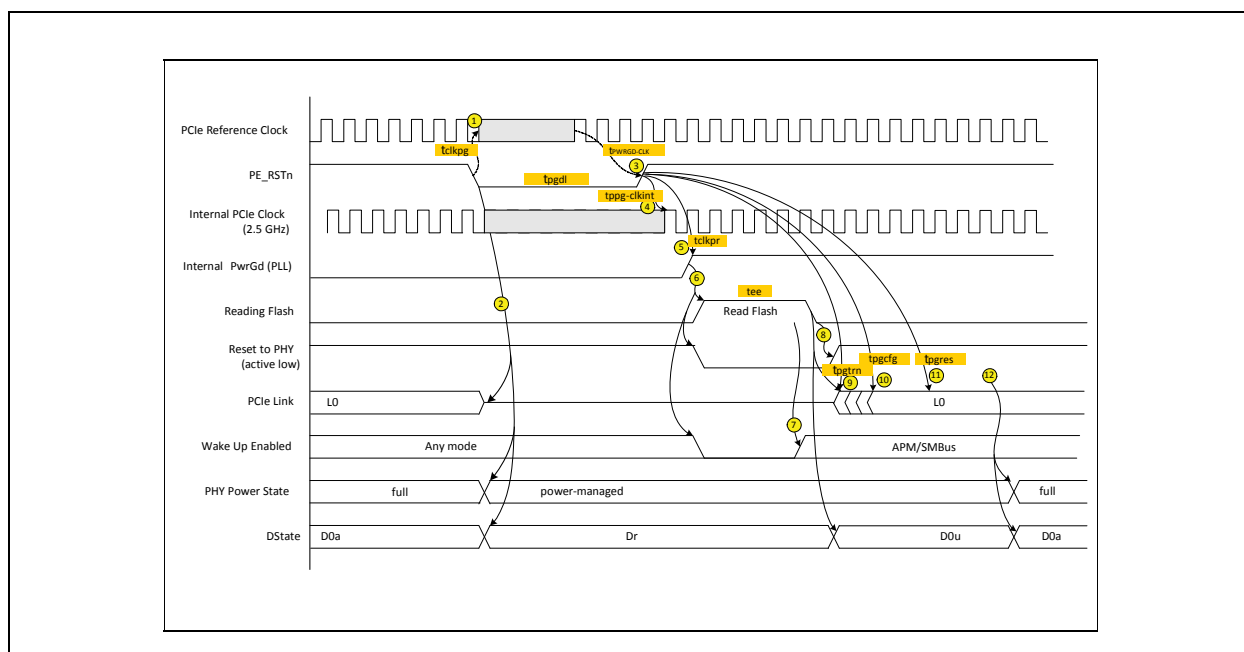


Figure 5-6. Transition From D0a to Dr and Back Without Transition to D3

Table 5-5. Transition From D0a to Dr and Back Without Transition to D3

| Note | Description |
|------|---|
| 1 | The system must assert PE_RST_N before stopping the PCIe reference clock. It must also wait t_{l2clk} after link transition to L2/L3 before stopping the reference clock. |
| 2 | On assertion of PE_RST_N, the I210 transitions to Dr state and the PCIe link transition to electrical idle. |
| 3 | The system starts the PCIe reference clock $t_{PE_RST_CLK}$ before de-assertion PE_RST_N. |
| 4 | The internal PCIe clock is valid and stable $t_{ppg-clkint}$ from PE_RST_N de-assertion. |
| 5 | The PCIe internal PWRGD signal is asserted t_{clkpr} after the external PE_RST_N signal. |
| 6 | Asserting internal PCIe PWRGD causes the Flash to be re-read, asserts PHY reset, and disables wake up. |
| 7 | APM wake-up mode might be enabled based on what is read from the Flash. |
| 8 | After reading the Flash, PHY reset is de-asserted. |
| 9 | Link training starts after t_{pgtrn} from PE_RST_N de-assertion. |
| 10 | A first PCIe configuration access might arrive after t_{pgcf} from PE_RST_N de-assertion. |
| 11 | A first PCI configuration response can be sent after t_{pgres} from PE_RST_N de-assertion. |
| 12 | Writing a 1b to the <i>Memory Access Enable</i> bit in the PCI Command Register transitions the I210 from D0u to D0 state. |



5.5.5 Timing Requirements

The I210 requires the following start-up and power state transitions.

| Parameter | Description | Min. | Max. | Notes |
|-------------------------|--|--------|-------|---|
| t _{xog} | Xosc stable from power stable | | 56 ms | |
| t _{PE_RST-CLK} | PCIe clock valid to PCIe power good | 100 μs | - | According to PCIe spec. |
| t _{PVPGL} | Power rails stable to PCIe PE_RST active | 100 ms | - | According to PCIe spec. |
| T _{pgcfg} | External PE_RST signal to first configuration cycle. | 100 ms | | According to PCIe spec. |
| t _{d0mem} | Device programmed from D3h to D0 state to next device access | 10 ms | | According to PCI power management spec. |
| t _{i2pg} | L2 link transition to PE_RST de-assertion | 0 ns | | According to PCIe spec. |
| t _{i2clk} | L2 link transition to removal of PCIe reference clock | 100 ns | | According to PCIe spec. |
| T _{clkpg} | PE_RST de-assertion to removal of PCIe reference clock | 0 ns | | According to PCIe spec. |
| T _{pgdl} | PE_RST de-assertion time | 100 μs | | According to PCIe spec. |

5.5.6 Timing Guarantees

The I210 guarantees the following start-up and power state transition related timing parameters.

| Parameter | Description | Min. | Max. | Notes |
|-------------------------|--|------|---------|-------------------------|
| t _{xog} | Xosc stable from power stable | | 56 msec | |
| t _{ppg} | Internal power good delay from valid power rail | | 45 msec | |
| t _{ee} | NVM read duration | | 20 msec | |
| t _{ppg-clkint} | PCIe* PE_RST to internal PLL lock | - | 50 μs | |
| t _{clkpr} | Internal PCIe PWGD from external PCIe PE_RST | | 50 μs | |
| t _{pgtrn} | PCIe PE_RST to start of link training | | 20 ms | According to PCIe spec. |
| t _{pgres} | External PE_RST to response to first configuration cycle | | 1 s | According to PCIe spec. |

5.6 Wake Up

The I210 supports two modes of wake-up management:

1. Advanced Power Management (APM) wake up
2. ACPI/PCIe defined wake up

The usual model is to activate one mode at a time but not both modes together. If both modes are activated, the I210 might wake up the system on unexpected events. For example, if APM is enabled together with the ACPI/PCIe Magic packet in the *WUFC* register, a magic packet might wake up the system even if APM is disabled (*WUC.APME* = 0b). Alternatively, if APM is enabled together with some of the ACPI/PCIe filters (enabled in the *WUFC* register), packets matching these filters might wake up the system even if PCIe PME is disabled.



5.6.1 Advanced Power Management Wake Up

Advanced Power Management Wake Up or APM Wakeup (also known as Wake on LAN) is a feature that existed in earlier 10/100 Mb/s NICs. This functionality was designed to receive a broadcast or unicast packet with an explicit data pattern, and then assert a subsequent signal to wake up the system. This was accomplished by using a special signal that ran across a cable to a defined connector on the motherboard. The NIC would assert the signal for approximately 50 ms to signal a wake up. The I210 now uses (if configured) an in-band PM_PME message for this functionality.

On power up, the I210 reads the *APM Enable* bits from the Flash *Initialization Control Word 3* into the *APM Enable (APME)* bits of the *Wakeup Control (WUC)* register. These bits control enabling of APM wake up.

When APM wake up is enabled, the I210 checks all incoming packets for Magic packets. See [Section 5.6.3.1.4](#) for a definition of Magic packets.

Once the I210 receives a matching Magic packet, and if the *WUC.APMPME* bit or the *PMCSR.PME_En* bits are set to 1b and the *WUC.APME* bit is set to 1b it:

- Sets the *PME_Status* bit in the *PMCSR* register and issues a PM_PME message (in some cases, this might require asserting the PE_WAKE_N signal first to resume power and clock to the PCIe interface).
- Stores the first 128 bytes of the packet in the Wake Up Packet Memory (WUPM) register.
- Sets the *Magic Packet Received* bit in the Wake Up Status (WUS) register.
- Sets the packet length in the Wake Up Packet Length (WUPL) register.

The I210 maintains the first Magic packet received in the *Wake Up Packet Memory (WUPM)* register until the software device driver writes a 1b to the *WUS.MAG* bit.

If the *WUC.EN_APM_DO* bit is set to 1b, APM wake up is supported in all power states and only disabled if a subsequent Flash read results in the *WUC.APME* bit being cleared or software explicitly writes a 0b to the *WUC.APME* bit. If the *WUC.EN_APM_DO* bit is cleared APM wake-up is supported only in the D3 or Dr power states.

Notes:

1. When the *WUC.APMPME* bit is set a wake event is issued (PE_WAKE_N pin is asserted and a PM_PME PCIe message is issued) even if the *PMCSR.PME_En* bit in configuration space is cleared. To enable disabling of system Wake-up when *PMCSR.PME_En* is cleared, the software device driver should clear the *WUC.APMPME* bit after power-up or PCIe reset.
2. If APM is enabled and the I210 is programmed to issue a wake event on the PCIe, each time a Magic packet is received, a wake event is generated on the PCIe interface even if the *WUS.MAG* bit was set as a result of reception of a previous Magic packet. Consecutive magic packets generate consecutive Wake events.

5.6.2 ACPI Power Management Wake Up

The I210 supports PCIe power management based wake-up. It can generate system wake-up events from a number of sources:

- Reception of a Magic packet.
- Reception of a network wake-up packet.
- Detection of a change in network link state (cable connected or disconnected).
- Wake-up by manageability after receiving an unsupported packets for proxying.



Activating PCIe power management wake up requires the following:

- System software writes at configuration time a 1b to the PCI *PMCSR.PME_En* bit.
- Software device driver clears all pending wake-up status bits in the Wake Up Status (WUS) register.
- The software device driver programs the Wake Up Filter Control (WUFC) register to indicate the packets that should initiate system wake up and programs the necessary data to the IPv4/v6 Address Table (*IP4AT, IP6AT*) and the Flexible Host Filter Table (FHFT). It can also set the *WUFC.LNKC* bit to cause wake up on link status change.
- Once the I210 wakes the system, the software device driver needs to clear the WUS and WUFC registers until the next time the system moves to a low power state with wake up enabled.

Normally, after enabling wake up, system software moves the device to D3 low power state by writing a 11b to the PCI *PMCSR.Power State* field.

Once wake up is enabled, the I210 monitors incoming packets, first filtering them according to its standard address filtering method, then filtering them with all of the enabled wake-up filters. If a packet passes both the standard address filtering and at least one of the enabled wake-up filters, the I210:

- Sets the *PME_Status* bit in the PMCSR.
- Asserts *PE_WAKE_N* (if the *PME_En* bit in the PMCSR configuration register is set).
- Stores the first 128 bytes of the packet in the Wakeup Packet Memory (WUPM) register.
- Sets one or more bits in the Wake Up Status (WUS) register. Note that the I210 sets more than one bit if a packet matches more than one filter.
- Sets the packet length in the Wake Up Packet Length (WUPL) register.

Note: If enabled, a link state change wake-up causes similar results. Sets the *PMCSR.PME_Status* bit, asserts the *PE_WAKE_N* signal and sets the relevant bit in the WUS register.

The *PE_WAKE_N* remains asserted until the operating system either writes a 1b to the *PMCSR.PME_Status* bit or writes a 0b to the *PMCSR.PME_En* bit.

After receiving a wake-up packet, the I210 ignores any subsequent wake-up packets until the software device driver clears all of the received bits in the Wake Up Status (WUS) register. It also ignores link change events until the software device driver clears the *Link Status Changed (LNKC)* bit in the Wake Up Status (WUS) register.

Note: A wake on link change is not supported when configured to SerDes or 1000BASE-KX mode.

5.6.3 Wake-Up and Proxying Filters

The I210 supports issuing wake-up to Host when device is in D3 or protocol offload (proxying) of packets using two types of filters:

- Pre-defined filters
- Flexible filters

Each of these filters are enabled if the corresponding bit in the Wake Up Filter Control (WUFC) register or Proxying Filter Control (PROXYFC) register is set to 1b.

Note: When VLAN filtering is enabled, packets that passed any of the receive wake-up filters should only cause a wake-up event if they also passed the VLAN filtering.



Table 5-6. ARP Packet Structure and Processing

| Offset | # of bytes | Field | Value | Action | Comment |
|------------|------------|---------------------------------------|--------|-------------------------------|---|
| 0 | 6 | Destination Address | | Compare | MAC header – processed by main address filter. |
| 6 | 6 | Source Address | | Skip | |
| 12 | S=(0/4/8) | Possible VLAN Tags (single or double) | | Compare on internal VLAN only | Processed by main address filter. |
| 12 + S | D=(0/8) | Possible Length + LLC/SNAP Header | | Skip | |
| 12 + S + D | 2 | Ethernet Type | 0x0806 | Compare | ARP |
| 14 + S + D | 2 | HW Type | 0x0001 | Compare | |
| 16 + S + D | 2 | Protocol Type | 0x0800 | Compare | |
| 18 + S + D | 1 | Hardware Size | 0x06 | Compare | |
| 19 + S + D | 1 | Protocol Address Length | 0x04 | Compare | |
| 20 + S + D | 2 | Operation | 0x0001 | Compare | |
| 22 + S + D | 6 | Sender HW Address | - | Ignore | |
| 28 + S + D | 4 | Sender IP Address | - | Ignore | |
| 32 + S + D | 6 | Target HW Address | - | Ignore | |
| 38 + S + D | 4 | Target IP Address | IP4AT | Compare | Compare if the <i>Directed ARP</i> bit is set to 1b. May match any of four values in <i>IP4AT</i> . |

5.7 Protocol Offload (Proxying)

In order to avoid spurious wake-up events and reduce system power consumption when the device is in D3 low power state and system is in S3 or S4 low power states, the I210 supports protocol offload (proxying) of:

1. A single IPv4 Address Resolution Protocol (ARP) request.
 - Responds to IPv4 address resolution request with the host MAC (L2) address (as defined in RFC 826).
2. Two IPv6 Neighbor Solicitation (NS) requests, where each NS protocol offload request includes two IPv6 addresses, for a total of four possible IPv6 addresses.
 - IPv6 NS requests with the host MAC (L2) address (as defined in RFC 4861).
3. When NS protocol offload is enabled, the I210 supports up to two IPv6 Multicast-Address-Specific Multicast Listener Discovery (MLD) queries (either MLDv1 or MLDv2). In addition, the I210 also responds to general MLD queries, used to learn which IPv6 multicast addresses have listeners on an attached link.
 - MLD protocol offload is supported when NS protocol offload is enabled so that IPv6 routers discover the presence of multicast listeners (that is, nodes wanting to receive multicast packets), for packets with the IPv6 NS Solicited-node Multicast Address and continue forwarding these NS requests on the link.
 - MLD protocol offload is supported for either MLD Multicast Listener Query packets or MLD Multicast Address and Source Specific Query packets that check for IPv6 multicast listeners with the Solicited-node Multicast Address placed in the IPv6 destination address field of the IPv6 NS packets that are off-loaded by the I210.



- IPv6 MLD queries, with the Solicited-node Multicast Address placed in the IPv6 destination address field of the IPv6 NS packets that are off-loaded by the I210 (as defined in RFC 2710 and RFC 3810). The MLDv2 Multicast Listener Report messages returned by firmware to MLDv2 Multicast Listener Query messages which concern the device, contain a Multicast Address Record for each configured Solicited IPv6 addresses (up to 2). Other fields are returned as follows:
 - Number of Sources = 0 (no Source Address fields supplied)
 - Record Type = 2 (MODE_IS_EXCLUDE)
 - Aux Data Len = 0 (no Auxiliary Data fields supplied)

4. mDNS proxy offload

- Multicast DNS (mDNS) is used to advertise and locate services on the local network. Its proxy offload requires the I210 to respond to mDNS queries as well as keeping the network connectivity of a system while the system is in sleep state and wake the system when a service is requested from the system.
- For more information on the I210 functionality and enablement for mDNS Proxy Offload. See [section 5.7.3](#)

In addition to the D3 low power functionality, by setting *DO_PROXY* bit to 1b, the I210 enables these features in D0 and enables the system to be in a low power S0x state for longer durations to increase system power savings.

5.7.1 Protocol Offload Activation in D3

To enable protocol offload, the software device driver should implement the following steps before D3 entry:

1. Read *MANC.MPROXYE* bit to verify that proxying is supported by management.
2. Clear all pending proxy status bits in the Proxying Status (PROXYS) register.
3. Program the Proxying Filter Control (PROXYFC) register to indicate the type of packets that should be forwarded to manageability for proxying and then program the necessary data to the IPv4/v6 Address Table (IP4AT, IP6AT) and the Flexible Host Filter Table (FHFT) registers.
4. Set the *WUFC.FW_RST_WK* bit to 1b to initiate a wake if firmware reset was issued when in D3 state and proxying information was lost.
5. Take ownership of the Management Host interface semaphore (*SW_FW_SYNC.SW_MNG_SM* register bit) using the flow defined in [Section 4.6.1](#) to send Protocol Offload information to Firmware.
6. Read and clear the *FWSTS.FWRI* firmware reset indication bit.
 - If a firmware reset was issued as reported in the *FWSTS.FWRI* bit, the software device driver should clear the bit and then re-initialize the protocol offload list even if firmware keeps the protocol offload list on a move from D3 to D0 (See note in [Section 10.8.2.4.2.2](#)).
7. Verify that the *HICR.En* bit (See [Section 8.23.2](#)) is set 1b, which indicates that the shared RAM interface is available.
8. Write proxying information in the shared RAM interface located in addresses 0x8800-0x8EFF using the format defined in [Section 10.8.2.4.2](#). All addresses should be placed in networking order.
9. Once information is written into the shared RAM software should set the *HICR.C* bit to 1b.
10. Poll the *HICR.C* bit until bit is cleared by firmware indicating that the command was processed and verified that the command completed successfully by checking that the *HICR.SV* bit was set.
11. Read the firmware response from the shared RAM to verify that data was received correctly.
12. Return to 8. if additional commands need to be sent to Firmware.



13. Release management Host interface semaphore (*SW_FW_SYNC.SW_MNG_SM* register bit) using the flow defined in [Section 4.6.2](#).
14. Verify that a firmware reset was not initiated during the proxying configuration process by reading the *FWSTS.FWRI* firmware reset indication bit. If a firmware reset was initiated. Return to step 1.
15. Set *WUC.PPROXYE* bit to 1b and enable entry into D3 low power state.
16. Once the I210 moves back into D0 state, the software device driver needs to clear the *WUC.PPROXYE* bit, *PROXYS*, and *PROXYFC* registers until the next time the system moves to a low power state with proxying enabled.

Normally, after enabling wake-up or proxying, system software moves the device to D3 low power state by writing a 11b to the PCI *PMCSR.Power State* field.

Once proxying is enabled by setting the *WUC.PPROXYE* bit to 1b and device is placed in the D3 low power state, the I210 monitors incoming packets, first filtering them according to its standard address filtering method, then filtering them with all of the proxying filters enabled in the *PROXYFC* register. If a packet passes both the standard address filtering and at least one of the enabled proxying filters and does not pass any of the enabled wake-up filters, the I210:

1. Executes the relevant protocol offload for the packet and not forward the packet to the host.
2. Set one or more bits in the Proxying Status (*PROXYS*) register according to the proxying filters matched.

Note: The I210 sets more than one bit in the *PROXYS* register if a packet matches more than one filter.

3. Wakes the system and forwards a packet that matches the proxying filters but can't be supported by the host for further processing if configured to do so by the software device driver via the Set Firmware Proxying Configuration command using the shared RAM interface (See [Section 10.8.2.4.2.2](#)).

Notes:

1. When the device is in D3, a packet that matches both one of the enabled proxying filters as defined in the *PROXYFC* register and one of the enabled wake-up filters as defined in the *WUFC* register only wakes up the system and protocol offload (proxying) does not occur.
2. Protocol offload is not executed for illegal packets with CRC errors or checksum errors and the packets are silently discarded.
3. Once a packet that meets the criteria for proxying is received, the I210 should respond to the request after less than 60 Seconds.

5.7.2 Protocol Offload Activation in D0

To enable protocol offload in D0, the software device driver should implement the following steps:

1. Read *MANC.MPROXYE* bit to verify that proxying is supported by management.
2. Clear all pending proxy status bits in the Proxying Status (*PROXYS*) register.
3. Program the Proxying Filter Control (*PROXYFC*) register to indicate the type of packets that should be forwarded to manageability for proxying and then program the necessary data to the IPv4/v6 Address Table (*IP4AT*, *IP6AT*) and the Flexible Host Filter Table (*FHFT*) registers.
4. Take ownership of the management host interface semaphore (*SW_FW_SYNC.SW_MNG_SM* register bit) using the flow defined in [Section 4.6.1](#) to send protocol offload information to firmware.
5. Verify that the *HICR.En* bit is set 1b, which indicates that the shared RAM interface is available.
6. Read and clear the *FWSTS.FWRI* firmware reset indication bit.



- If a firmware reset was issued as reported in the *FWSTS.FWRI* bit, the software device driver should clear the bit and then re-initialize the protocol offload list.
- 7. Write proxying information in the shared RAM interface located in addresses 0x8800-0x8EFF using the format defined in [Section 10.8.2.4.2](#). All addresses should be placed in networking order.
- 8. Once information is written into the shared RAM, software should set the *HICR.C* bit to 1b.
- 9. Poll the *HICR.C* bit until the bit is cleared by firmware indicating that command was processed and verified that the command completed successfully by checking that the *HICR.SV* bit was set.
- 10. Read the firmware response from the shared RAM to verify that data was received correctly.
- 11. Return to step 7. if additional commands need to be sent to firmware.
- 12. Release the management host interface semaphore (*SW_FW_SYNC.SW_MNG_SM* register bit) using the flow defined in [Section 4.6.2](#).
- 13. Verify that a firmware reset was not initiated during the proxying configuration process by reading the *FWSTS.FWRI* firmware reset indication bit. If a firmware reset was initiated, return to step 1.
- 14. Set the *PROXYFC.DO_PROXY* bit to 1b.
- 15. Set the *WUC.PPROXYE* bit to 1b to enable protocol offload.

Once proxying is enabled in D0 by setting both the *WUC.PPROXYE* bit to 1b and the *PROXYFC.DO_PROXY* bit to 1b, the I210 monitors incoming packets, first filtering them according to the standard address filtering method and then filtering them according to the proxying filters enabled in the PROXYFC register. If a packet passes both the standard address filtering and at least one of the enabled proxying filters then the I210:

1. Executes the relevant protocol offload for the packet and not forward the packet to the host.
2. Set one or more bits in the Proxying Status (PROXYS) register according to the proxying filter that detected a match.

Note: The I210 sets more than one bit in the PROXYS register if a packet matches more than one filter.

3. Discard silently illegal packets with CRC errors or checksum errors without implementing the protocol offload.
4. Forward a packet that matches the proxying filters but can't be supported by firmware to the host for further processing, if configured to do so by the software device driver via the Set Firmware Proxying Configuration command using the shared RAM interface.

5.7.3 mDNS Proxy Offload

The I210 uses multicast DNS (mDNS) to advertise and locate services on the local network. The mDNS responder system component holds a database of registered services. When the system is in S0 state, the mDNS responder and related system components are the sole entities responsible for auto-configuring the LAN interface, sending service announcements, and handling service query processing. In contrast, the offload component (the mDNS proxy) causes services (shared printers, iTunes libraries etc.) to continue to be discovered (and virtually available) when the system is in a low power state.

The mDNS proxy is activated on demand, through a request from the main mDNS responder. This activity is triggered by the system PM module making the decision to enter a low power state in a system that supports mDNS proxy. Prior to the Sx entry, the internal mDNS record database is sent to the mDNS proxy. This configuration is expected to be used by the proxy to respond to queries and wake the system when a service access is detected. Waking the host causes the proxy function to be disabled.



The mDNS proxy architecture is based on the receive filter and the management controller, the filter is responsible to parse and filter incoming packets and pass the relevant packets to the management controller or wake the system if a packet matches one of the wake up filters. The host driver is responsible to properly configure the filter. The host driver is also responsible to configure the management controller using the Set mDNS Proxy Command for proper operation.

The configuration for proxy includes:

- A list of IPv4 and IPv6 addresses for the interface and enablement of their protocol offload (see [Section 5.7.1](#)).
 - The I210 supports mDNS proxy of up to 1 IPv4 addresses and/or up to 2 IPv6 addresses.
- An array of DNS Resource Records (RRs) to be proxied by firmware
- An array of UDP and TCP port numbers for the services

The configuration is loaded to the Flash. Refer to [Figure 3.6](#), [Figure 3-7](#), and to [Section 6.8.11](#), [6.8.12](#). In order to prevent Flash wear out, the host driver writes these Flash areas only if, since the last time the system went into a sleep state, a record has been modified/added, or if the FW image has been updated. Then, prior to entering a sleep state, the host uses the Set mDNS Proxy command defined in [Section 10.8.2.4.2.5](#) to activate the mDNS proxy.

When activated, the mDNS proxy must act as a responsible mDNS responder.

It needs to:

- Listen for both unicast and multicast DNS queries on UDP port 5353
- Respond with a unicast or multicast answer depending on the QU/QM flag
- Not respond if the answer it would give is already in the answer section and the RR TTL is over half the original TTL
- Properly handle queries that span multiple packets (truncated bit is set)
- Support negative responses for known-missing rrtype "A" and "AAAA" queries
- Implement the random delays before responding to non-probe queries, as required to avoid packet storms
- Support merging answers from multiple queries into a single response
- Support legacy DNS queries
- Respond to ARP and IPv6 neighbor solicitation requests
- Respond ICMP PING requests
- Wake the system if one of the offload services is requested or a pre-defined wake up/Magic packet was received. The service wake detection wake up is configured by the host driver using the WFUTPF[31:0], RFUTPF, RWPFC registers.
- Wake the system if the link was lost and re-gained while sleeping
- Wake the system if mDNS name conflict was detected
- Provide the wakeup-reason to the software device driver that details why the system is being woken up.

Proposed configuration of the receive and wakeup filters:



Table 5-7. mDNS Offload Configuration

| Frame Type | Address/Protocol | Why Needed | I210 Implementation Filter |
|-------------------------|--|---|--|
| ARP Request | Local IPv4 address/ARP | Maintain IPv4 connectivity | PROXYFC.ARP / PROXYFC.ARP_Directed |
| IGMPv2 | 224.0.0.251/IGMP | Maintain presence in mDNS group | PROXYFCEX.IGMP / PROXYFCEX.IGMP_mDirected |
| Multicast mDNS | 224.0.0.251/UDP/5353 FF02::FB/UDP/5353 | Listen to multicast mDNS queries and respond when proper | PROXYFCEX.mDNS / PROXYFCEX.mDNS_mDirected |
| Unicast mDNS | Local IPv4 address/UDP/5353 Local IPv6 address/UDP/5353 | Listen to unicast mDNS queries and respond when proper | PROXYFCEX.mDNS / PROXYFCEX.mDNS_uDirected |
| ICMP | Local IPv4 address/ICMPv4 Local IPv6 address/ICMPv6 | PING support | PROXYFCEX.ICMPv4 / PROXYFCEX.ICMPv4_uDirected PROXYFCEX.ICMPv6 / PROXYFCEX.ICMPv6_uDirected |
| NS/MLD | Local IPv6 address/NS ff02::1/MLD | Maintain IPv6 connectivity | PROXYFC.NS / PROXYFC.NS_Directed |
| mDNS Proxy Wake Frame | UDP port TCP Port/SYN | Wake the system when one of the offloaded services is requested | WFUTPF[i].Port/ WFUTPF[i].Port_Control RWPFC |
| mDNS Proxy Special Wake | Non IPSEC keep alive to UDP 4500 TCP SSH data - port 22 UDP 3283 WU packet | Special WU reasons | RWPFC.NonIPsecKA RWPFC.TCP_SSH_Data RWPFC.MagicUDP |
| Magic Packet WoL | Magic WoL | | Part of APM/ACPI WoL |

The host driver is responsible to properly configure the receive filters for mDNS proxy and mDNS wake on LAN. Setting bits in the PROXYFCEX register to enable filters that redirect packets to the management controller indicates mDNS proxy offload is required.

The host driver is also responsible to write the mDNS Records into the Flash area provisioned for it (see [Section 6.8.11](#) and [Section 6.8.12](#)). Refer to the mDNS Proxy SAS document for the exact structure of the mDNS data section to be stored in the Flash.

Note: IP fragments are not supported for mDNS proxy offload, filtering of higher layers (ICMP, TCP/UDP ports etc.) is not supported on IP fragments.

Note: The mDNS proxy offload will ignore any IPv4 options and silently drop all IPv6 packets with extensions.

5.8 DMA Coalescing

The I210 supports DMA coalescing to enable synchronizing port activity and optimize power management of memory, CPU and RC internal circuitry. When conditions to enter DMA coalescing operating mode as defined in [Section 5.8.2](#) exist, the I210:

- Stops initiation of any activity on the PCIe link.
- Data received from the Ethernet link is buffered in internal receive buffer.
- When executing DMA coalescing, once the internal Tx buffer is empty, the internal Rx buffer watermark for transmission of XOFF flow control packets on the network is defined by the *FCRTC.RTH_Coal* threshold field.

The I210 exits DMA coalescing once the conditions defined in [Section 5.8.3](#), to exit DMA coalescing, exist.



5.8.1 DMA Coalescing Activation

To activate DMA coalescing functionality software driver should program the following fields:

1. *DMACR.DMACTHR* field to set the receive threshold that causes move out of DMA coalescing operating mode. Receive watermark programmed should take into account latency tolerance reported (See [Section 5.10](#)) and L1 to L0 latency to avoid receive buffer overflow when DMA coalescing is enabled. A minimum of 70 us equivalent is recommended.
2. *DMCTXTH.DMCTTHR* field to set transmit threshold that causes move out of DMA coalescing operating mode. Transmit watermark programmed should take into account latency tolerance reported (See [Section 5.10](#)) and L1 to L0 latency to enable transmission of back-to-back packets when DMA Coalescing is enabled.
3. *DMACR.DMACWT* field that defines a maximum timeout value for:
 - a. A receive packet to be stored in the internal receive buffer before the I210 moves a packet to host memory.
 - b. Time to delay an interrupt that is not defined as an immediate interrupt in the *IMIR[n]*, *IMIREXT[n]* or *IMIRVP* registers, when other conditions specified in [Section 5.8.3](#) to exit DMA coalescing do not exist.
 - c. *DMACR.DMACWT* also defines maximum time to delay interrupts, that are not defined as immediate interrupts when PCIe link is in OBFF state. In PCIe OBFF state System memory path is available only for Device memory read/write bus master activities, but path for interrupts is not available.
 - Each time the I210 enters DMA coalescing, the internal DMA coalescing watchdog timer is re-armed with the value placed in the *DMACR.DMACWT* field. When in DMA coalescing, the internal watchdog timer starts to count when one of the following conditions occurs:
 - A Rx packet is received in the internal buffer.
 - An interrupt is pending.
 - A descriptor write-back is pending.
 Once an interval defined in the *DMACR.DMACWT* field has passed, the I210 exits DMA coalescing and internal buffers, pending interrupts and pending descriptor write-backs are flushed.
 - The *DMACR.DC_BMC2OSW_EN* bits define if a BMC to OS traffic is delayed by the time defined in the *DMACR.DMACWT* field when the I210 is in DMA coalescing state or if the traffic causes immediate exit out of DMA coalescing.
4. *DMCTLX.DCFLUSH_DIS* to define if pending descriptor write-back flush and pending interrupt flush should occur before entry into DMA coalescing state.
 - When *DMCTLX.DCFLUSH_DIS* is set to 1b, any pending interrupts or descriptor write-back operations do not cause the I210 to move out of a DMA coalescing state.
5. *FCRTC.RTH_Coal* field that defines a flow control receive high watermark for sending flow control packets. The I210 uses the *FCRTC.RTH_Coal* threshold when:
 - Flow control is enabled by setting the *CTRL.TFCE* bit.
 - The I210 is in DMA coalescing mode.
 - Internal transmit buffer is empty.
6. *SRRCTL[n].DMACQ_Dis* bit to define high priority queues. When a received packet is forwarded to a queue with the *SRRCTL[n].DMACQ_Dis* bit set, the I210 moves immediately out of DMA coalescing mode and executes a DMA operation to store the packet in host memory.
7. *DMACR.DMAC_EN* bit should be set to 1b to enable activation of DMA coalescing operating mode.
8. *DOBFFCTL.OBFFTHR* field to set the low receive threshold that causes move out of DMA coalescing operating mode when the PCIe is in OBFF or OBFF Active states. Receive watermark programmed must be lower than *DMACR.DMACTHR*.



9. DMCTLX.EN_MNG_IND bit should be set to 1b to enable management indication impact on DMA Coalescing and OBFF operating modes. This bit also enables DMA coalescing and OBFF impact on MCTP over PCIe traffic.
10. DMCMNGTH.DMCMNGTHR field to set the threshold for the management buffer that causes move out of DMA coalescing operating mode.

Notes:

1. The values of *DMACR.DMACTHR* and *FCRTC.RTH_Coal* should be set so that XOFF packet generation is avoided. In DMA coalescing mode, when the transmit buffer is empty, the XOFF flow control threshold (*FCRTC.RTH_Coal*) value can be increased by the maximum jumbo frame size compared to normal operation, where the high threshold is set by the FCRTTH0 register.
2. When entering DMA coalescing mode, the value written in the FCRTTH0 register is used to generate XOFF flow control frames until the internal transmit buffer is empty. Once the internal transmit buffer is empty the value written in the *FCRTC.RTH_Coal* field is used as a watermark for generation of XOFF flow control frames.
3. The I210 transitions the link into L0s state once the PCIe link has been idle for a period of time defined in the *Latency_To_Enter_L0s* field in the CSR Auto Configuration Power-Up Flash section (see [Section 6.3](#)). The I210 will then transition the link into L1 state once the PCIe link has been in L0s state for a further period as defined in the *Latency_To_Enter_L1* field in the CSR Auto Configuration Power-Up NVM section.

5.8.2 Entering DMA Coalescing Operating Mode

Enabling DMA coalescing operation by setting the *DMACR.DMAC_EN* bit to 1b. Power saving is achieved since it increases the duration of these idle intervals. The Power Management Unit (PMU) on the platform can use these idle intervals to reduce system power. In addition if OBFF is supported on PCIe link additional system level power saving can be achieved by synchronizing activity of all devices on the PCIe interface.

5.8.2.1 Entering DMA Coalescing

The I210 enters DMA coalescing when all of the following conditions exist:

1. DMA coalescing is enabled (*DMACR.DMAC_EN* = 1b).
2. Internal receive buffers (host and management if enabled) are empty.
3. There are no pending DMA operations.
4. None of the conditions defined in [Section 5.8.3.1](#) to move out of DMA coalescing exist.
5. If OBFF is enabled in the PCIe config space and the OBFF state is IDLE or OBFF.

Before entering the DMA coalescing power saving mode, if the *DMCTLX.DCFLUSH_DIS* bit is programmed to 0b, the I210:

- Flushes all pending interrupts that were delayed due to the Interrupt Throttling (ITR) mechanism.
- The I210 flushes all pending receive descriptor and transmit descriptor write backs and pre-fetch available receive descriptors and transmit descriptors to the internal cache.



5.8.3 Conditions to Exit DMA Coalescing

5.8.3.1 Exiting DMA Coalescing

When the I210 is in DMA coalescing operating mode, DMA coalescing mode is exited when one of the following events occurs:

1. Amount of data in the internal receive buffer passed the *DMACR.DMACTHR* threshold or when OBFF is enabled and in OBFF or “OBFF Active” states, the amount of data in internal receive buffer passed the *DOBFFCTL.OBFFTHR* threshold.
2. Empty space in the internal transmit buffer is above the value defined in the *DMCTXTH.DMCTTHR* field and available transmit descriptors exist.
3. A high priority packet was received (see [Section 7.3.6](#) for a definition of high priority packets). A high priority packet is a packet that generates an immediate interrupt, as defined in the *IMIR[n]*, *IMIREXT[n]* or *IMIRVP* registers.
4. A received packet destined to a high priority queue (*SRRCTL[n].DMACQ_Dis = 1b*) was detected.
5. DMA coalescing watchdog timer defined in the *DMACR.DMACWT* field expires as a result of the following occurrences not being serviced for the duration defined in the *DMACR.DMACWT* field:
 - An Rx packet was received in the internal buffer.
 - An interrupt is pending.
 - A descriptor write-back is pending.
 - On-chip transmit tail pointer was updated.
6. Received data rate detected is lower than defined in the *DMCRTRH.UTRESH* field.
7. DMA coalescing is disabled (*DMACR.DMAC_EN = 0b*).
8. Software initiates a move out of DMA coalescing by writing 1b to the *DMACR.EXIT_DC* self-clearing bit.
9. MC to OS traffic if the *DMACR.DC_BMC2OSW_EN* bit is programmed to 0b.
10. Management indication are enabled through *DMCTLX.EN_MNG_IND* and the amount of data buffered in the management buffer exceeds *DMCMNGTH.DMCMNGTHR*.

Notes:

1. Even when conditions for DMA coalescing do not exist, the I210 continues to be in a low power PCIe link state (L0s or L1) if there is no requirement for PCIe access.
2. If a PCIe PME wake message needs to be sent, the PCIe link moves from an L1 low power state to L0 to send the message but DMA remains in the DMA coalescing state.
3. Pending interrupts or pending descriptor write-back operations do not cause the I210 to move out of the DMA coalescing state.

5.9 OBFF

During active block I/O workloads, devices generate cycles as needed that statistically creates a random amount of traffic that keeps system busses and resources from efficiently entering their low power states. OBFF mode attempts to organize this random traffic and make it more orderly and bursty at a platform level in order to enable system busses and resources to enter low power states even under moderate to heavy loads. The technique is to organize all devices such that they all flush or fill their FIFOs at the same time and is referred to as OBFF.



In systems that don't support OBFF, asynchronous device activity prevents optimal power management of memory, CPU, and other Root Complex (RC) internal circuitry because device activity tends to be misaligned with respect to other devices and with respect to the natural activity of the system. The PCIe OBFF mechanism implemented in the I210 enables synchronizing device activity and optimizing system power management.

This OBFF indication is a hint, as all back devices are still permitted to initiate bus mastering and interrupt traffic at any time, although this negatively impacts the platform power and should be avoided as much as possible. In such cases, the platform can use OBFF to signal other platform devices so as to minimize the negative impact.

OBFF states:

- **Active:** The CPU is in C0 with the path to memory open. The I210 should execute all DMA traffic/ activity and interrupts as needed
- **OBFF:** The CPU is not executing instructions (such as CPU is in Cx) but the path to memory is open. The I210 should execute all opportunistic bus master traffic but hold all opportunistic interrupts
- **IDLE:** The CPU is in Cx with the path to memory closed. The I210 should hold all opportunistic traffic and interrupts as possible

OBFF events are signaled using the PE_WAKE_N signal on platforms supporting this topology. OBFF prevents needless link reactivation for a common case where most devices have no need to perform bus master or interrupts.

Note: The I210 only supports OBFF events signaled using the PE_WAKE_N signal. OBFF pulse timing can be configured via the PCIEOBFF register (See [Section 8.6.18](#)).

Support for OBFF is reported in the PCIe Device Capabilities 2 configuration register. The OBFF message receiving mechanism (PE_WAKE_N or PCIe message) is defined in the PCIe Device Control 2 configuration register. OBFF support is enabled by the *OBFF Supported* field in the *PCIe Control 1* Flash word.

5.10 Latency Tolerance Reporting (LTR)

The I210 generates PCIe LTR messages to report service latency requirements for memory reads and writes to the RC for system power management.

The I210 reports either minimum latency tolerance, maximum latency tolerance or no latency tolerance requirements as a function of link, LAN port and function status. Minimum and maximum latency tolerance values are programmed in the LTRMINV and LTRMAXV registers, respectively, per PF by the software device driver to optimize power consumption without incurring packet loss due to receive buffer overflow.

5.10.1 LTR Algorithm

The I210 sends LTR messages according to the following algorithm when the capability is enabled in the LTR capability structure of function 0 located in PCIe configuration space:

1. When link disconnected or port is disabled (transmit and receive activity not enabled) and the *LTRC.LNKDLS_EN* and *LTRC.PDLS_EN* bits are set, respectively, the I210 sends a LTR PCIe message with LTR requirement bits cleared, to indicate that no latency tolerance requirements exists.
2. If the I210 reported following PCIe link-up latency tolerance requirements with any requirement bit set in the PCIe LTR message and all enabled functions where placed in D3 low power state via the PMCSR register, the I210 sends a new LTR message with all the requirement bits clear.



3. If the I210 reported following PCIe link-up latency tolerance requirements with any requirement bit set and the *LTR Mechanism Enable* bit in the PCIe configuration space is cleared, the I210 sends a new LTR message with all the requirement bits clear.
4. The I210 sends a LTR message with the value placed in the LTRMAXV register when either one of following conditions exist:
 - a. Software set the *LTRC.LTR_MAX* register bit.
 - b. Rx EEE LPI state is detected on the Ethernet link and *LTRC.EEEMS_EN* is set (see [Section 3.7.7.4](#)).
5. Otherwise, the I210 sends a LTR message with a minimum value.

Note: In all cases, the maximum LTR value sent by the I210 does not exceed the maximum latency values in the Max No-Snoop Latency and Max Snoop Latency Registers in the LTR capability structure of function 0.

Figure 5-7 shows the I210 LTR message generation flow.

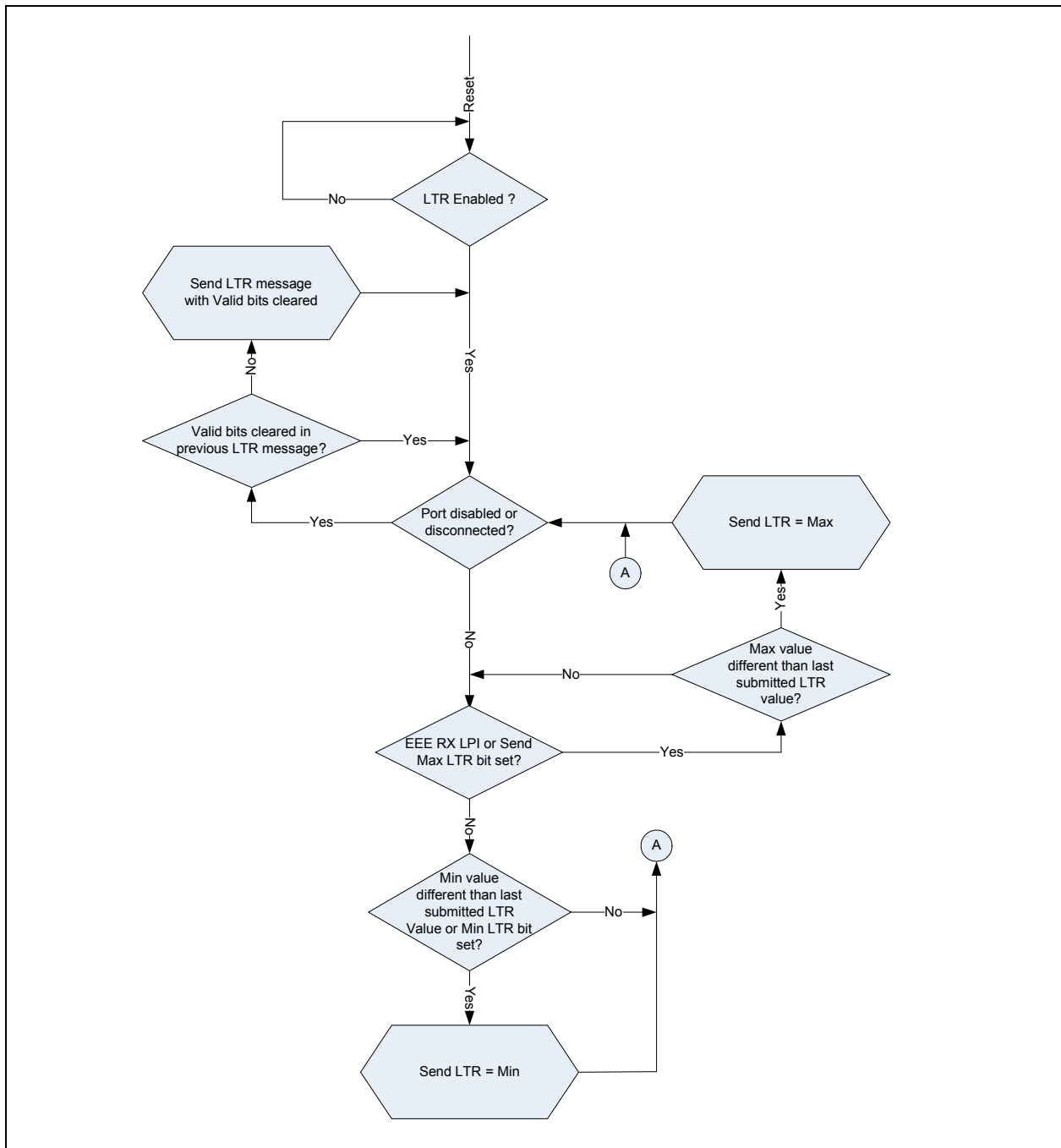


Figure 5-7. PCIe LTR Message Generation Flow



5.10.2 Latency Tolerance Reporting

The PCIe function can request to generate a minimum value LTR, a maximum value LTR, and a LTR message with the requirement bits cleared. The I210 incorporates latency requirements from the function, provided it has LTR messaging enabled and sends a single LTR message in the following manner:

- The acceptable latency values for the message sent upstream by the I210 must reflect the lowest latency tolerance values associated with the function.
 - If the function has no Latency requirement for a certain type of traffic (snoop/non-snoop), the message sent by the I210 does not have the requirement bit corresponding to that type of traffic set.
- The I210 transmits a new LTR message upstream when the capability is enabled and when the function changes the values it has reported internally in such a way as to change the incorporated value reported previously by the I210.

The PCIe function in the I210 reports support of LTR messaging in the configuration space by:

- Setting the *LTR Mechanism Supported* bit in the PCIe Device Capabilities 2 configuration register (support defined by *LTR_EN* bit in Initialization Control Word 1 Flash word, that controls enabling of the LTR structures).
- Supporting the LTR capability structure in the PCIe configuration space.

To enable generating LTR messages, the *LTR Mechanism Enable* bit in the Device Control 2 configuration register of function 0 should be set.

Note: If the function does not have LTR messaging enabled, it is considered a function that does not have any latency tolerance requirements.

5.10.2.1 Conditions for Generating LTR Message with the Requirement Bits Cleared

When LTR messaging is enabled, the I210's function sends a LTR message with the requirement bits cleared in the following cases:

1. Following PE_RST_N assertion (PCIe reset) after LTR capability is enabled.
2. LAN port is disabled (both *RCTL.RXEN* and *TCTL.EN* are cleared), receive buffer is empty and *LTRC.PDLS_EN* is set.
3. LAN port is disconnected, BMC to Host traffic is disabled (*MANC.EN_BMC2HOST* = 0) and *LTRC.LNKDLS_EN* is set.
4. Function is not in D0a state.
5. When the LSNP and LNSNP bits are cleared in the LTRMINV register and minimum LTR value needs to be sent.
6. When the LSNP and LNSNP bits are cleared in the LTRMAXV register and maximum LTR value needs to be sent.
7. When the *LTR Mechanism Enable* bit in the Device Control 2 configuration register of function 0 was cleared and the I210 sent previously a LTR message with requirement bits set.

When one of the previous conditions exist in the function that is enabled, the I210 sends a LTR message with the requirement bits cleared.

Note: If the PCIe function is disabled, it does not generate latency tolerance requirements.



5.10.2.2 Conditions for Generating LTR Message with Maximum LTR Value

When LTR messaging is enabled and conditions to send a LTR message with valid bits cleared do not exist, the I210 functions send a maximum value LTR message, with the values programmed in the LTRMAXV register in the following cases:

1. Following a software write of 1b to the *LTRC.LTR_MAX* bit and the last PCIe LTR message sent had a latency tolerance value different then the value specified in the LTRMAX register.
2. Rx EEE LPI state is detected on the Ethernet link and *LTRC.EEEMS_EN* is set.
3. When updated data was written to the LTRMAXV register and conditions defined instep 1. or step 2. to send a LTR message with a maximum value exists.

When one of the previous conditions exist and the function is enabled and conditions to send a LTR message with requirement bits cleared (See [Section 5.10.2.1](#)) doesn't exist, the I210 sends a LTR message with the values programmed in the LTRMAXV register.

Note: When the *LTRC.LTR_MAX* bit is cleared, the I210 sends a LTR message with the value placed in the LTRMINV register, if the value is smaller than the value placed in the LTRMAXV register.

5.10.2.3 Conditions for Generating LTR Message with Minimum LTR Value

When LTR messaging is enabled, the I210's function sends a minimum value LTR message, with the values programmed in the LTRMINV register in the following cases:

1. Following a software write of 1b to the *LTRC.LTR_MIN* bit and the last PCIe LTR message sent had a latency tolerance value different then the value specified in the LTRMINV register.
2. When updated data was written to the LTRMINV register and conditions to send a LTR message with the requirement bits cleared (see [Section 5.10.2.1](#)) or maximum value LTR (see [Section 5.10.2.2](#)) do not exist.

Note: If a LTR message that indicates that best possible service is requested needs to be sent, the latency tolerance value in the LTRMINV and LTRMAXV registers should be programmed to 0x0 with the appropriate requirement bits set. In this case, the I210 sends a LTR message with both the value and scale fields cleared to zeros.



6.0 Flash Map

6.1 Flash General Map

Table 6-1 lists the Flash map used by the I210. This table lists common modules for the Flash including: hardware pointers, software and firmware. Blocks are detailed in the following sections. All addresses and pointers in Table 6-1 are absolute in word units.

A detailed list of Flashwords loaded by hardware following power up, hardware reset or software generated resets (*CTRL.RST*, *CTRL_EXT.EE_RST* or *CTRL.DEV_RST*) can be found in auto load listed in Table 3-18.

Pointers to modules marked as Read Only (RO) in Table 6-1 means two things:

1. The pointer value cannot be modified by the host.
2. The module pointed to must be mapped in a protected RO area of the Flash or shadow RAM.

Table 6-1. Common Flash Map

| Flash Word Offsets | Used By/In | High Byte | Low Byte | RO to Host |
|--------------------|------------|---|---|-------------------------|
| 0x00:0x02 | HW | Ethernet Address (Words 0x00-0x02) - Section 6.2.1 | | |
| 0x03 | SW | Compatibility High - Section 6.8.1 | Compatibility Low - Section 6.8.1 | |
| 0x04 | SW | Port Identification LED Blinking (Word 0x04) - Section 6.8.2 | | |
| 0x05 | SW | Flash Map Revision (Word 0x05) - Section 6.8.3 | | |
| 0x06 | SW | Compatibility High | Compatibility Low | |
| 0x07 | SW | Compatibility High | Compatibility Low | |
| 0x08 | SW | PBA Number (Words 0x08, 0x09) - Section 6.8.5 | | |
| 0x09 | SW | | | |
| 0x0A | HW | Initialization Control Word 1 (Word 0x0A) - Section 6.2.2 | | |
| 0x0B | HW | Subsystem ID (Word 0x0B) - Section 6.2.3 | | |
| 0x0C | HW | Subsystem Vendor ID (Word 0x0C) - Section 6.2.4 | | |
| 0x0D | HW | Device ID (Word 0x0D) - Section 6.2.5 | | RO word |
| 0x0E | HW | Vendor ID (Word 0x0E) - Section 6.2.6 | | RO word |
| 0x0F | HW | Initialization Control Word 2 (Word 0x0F) - Section 6.2.7 | | |
| 0x10 | HW/SW | Firmware Secured Module Pointer (Word 0x10) - Section 6.9 | | RO pointer RO module |
| 0x11 | HW | Flash Device Size (Word 0x11) - Section 6.2.8 | | RO word |
| 0x12 | HW | Flash Validity and Protected Fields (Word 0x12) - Section 6.2.9 | | RO word |
| 0x13 | HW | Initialization Control 4 (Word 0x13) - Section 6.2.10 | | |



| Flash Word Offsets | Used By/In | High Byte | Low Byte | RO to Host |
|--------------------|------------|--|----------|-------------------------|
| 0x14 | HW | PCIe L1 Exit Latencies (Word 0x14) - Section 6.2.11 | | |
| 0x15 | HW | PCIe Completion Timeout Configuration (Word 0x15) - Section 6.2.12 | | |
| 0x16 | HW | MSI-X Configuration (Word 0x16) - Section 6.2.13 | | |
| 0x17 | HW | Software Reset CSR Auto Configuration Pointer (Offset 0x17) - Section 6.3 | | RO pointer RO module |
| 0x18 | HW | PCIe Init Configuration 1 (Word 0x18) - Section 6.2.14 | | |
| 0x19 | HW | PCIe Init Configuration 2 Word (Word 0x19) - Section 6.2.15 | | |
| 0x1A | HW | PCIe Init Configuration 3 Word (Word 0x1A) - Section 6.2.16 | | |
| 0x1B | HW | PCIe Control 1 (Word 0x1B) - Section 6.2.17 | | |
| 0x1C | HW | LED1 Configuration Defaults (Word 0x1C) - Section 6.2.18 | | |
| 0x1D | HW | Reserved | | |
| 0x1E | HW | Device Rev ID (Word 0x1E) - Section 6.2.19 | | |
| 0x1F | HW | LED0, 2 Configuration Defaults (Offset 0x1F) - Section 6.2.20 | | |
| 0x20 | HW | Software Defined Pins Control (Word 0x20) - Section 6.2.21 | | |
| 0x21 | HW | Functions Control (Word 0x21) - Section 6.2.22 | | |
| 0x22 | HW | LAN Power Consumption (Word 0x22) - Section 6.2.23 | | |
| 0x23 | HW | PCIe Reset CSR Auto Configuration Pointer (LAN Base Address + Offset 0x23) - Section 6.4 | | RO pointer RO module |
| 0x24 | HW | Initialization Control 3 (Word 0x24) - Section 6.2.24 | | |
| 0x25 | SW | mDNS Records Area Offset (Word 0x25) - Section 6.8.11 | | |
| 0x26 | SW | mDNS Records Area Size (Word 0x26) - Section 6.8.12 | | |
| 0x27 | HW | CSR Auto Configuration Power-Up Pointer (Offset 0x27) - Section 6.5 | | RO pointer RO module |
| 0x28 | HW | PCIe Control 2 (Word 0x28) - Section 6.2.25 | | RO word |
| 0x29 | HW | PCIe Control 3 (Word 0x29) - Section 6.2.26 | | |
| 0x2C | HW | End of RO Area (Word 0x2C) - Section 6.2.29 | | RO word RO area |
| 0x2D | HW | Start of RO Area (Word 0x2D) - Section 6.2.28 | | RO word RO area |
| 0x2E | HW | Watchdog Configuration (Word 0x2E) - Section 6.2.29 | | |
| 0x2F | OEM | Vital Product Data (VPD) Pointer (Word 0x2F) - Section 6.2.30 | | RO pointer |
| 0x30 | PXE | Setup Options PCIe Function (Word 0x30) - Section 6.8.6.1 | | |
| 0x31 | PXE | Configuration Customization Options PCIe Function (Word 0x31) - Section 6.8.6.2 | | |
| 0x32 | PXE | PXE Version (Word 0x32) - Section 6.8.6.3 | | |
| 0x33 | PXE | Option ROM Capabilities (Word 0x33) - Section 6.8.6.4 | | |
| 0x34 | HW/SW | Reserved | | |
| 0x35 | HW/SW | Reserved | | |
| 0x36 | PXE | iSCSI Option ROM Version (Word 0x36) - Section 6.8.7.1 | | |
| 0x37 | PXE | Alternate MAC Address Pointer (Word 0x37) - Section 6.8.8 | | |
| 0x38: 0x3B | HW | Reserved | | |
| 0x3C | PXE | Reserved | | |
| 0x3D | PXE | iSCSI Boot Configuration Pointer (Word 0x3D) - Section 6.8.7.2 | | RO pointer |
| 0x3E | PXE | Reserved | | |



| Flash Word Offsets | Used By/In | High Byte | Low Byte | RO to Host |
|--------------------|---|---|----------|------------|
| 0x3F | SW | Checksum Word (Word 0x3F) - Section 6.8.9 | | |
| 0x40 | SW | Free Provisioning Area Pointer to an 4KB sector. Section 6.9 | | |
| 0x41 | SW | Free Provisioning Area Size, expressed in 4KB sectors. Default is 0x3D. Section 6.9 | | |
| 0x42 | SW | Image Unique ID (Words 0x42, 0x43) - Section 6.8.10 | | |
| 0x43 | SW | Image Unique ID (Words 0x42, 0x43) - Section 6.8.10 | | |
| 0x44:0x4F | SW | Reserved | | |
| 0x50 | FW | RO Updates Version (Word 0x50) - Section 6.6 | | RO word |
| 0x51 | FW | Pointer to Firmware module (Word 0x51) - Section 6.7 | | RO pointer |
| 0x52:0x7F | FW | Reserved | | |
| 0x80... | Hardware structures, firmware structures, VPD area... all pointed from pointers in preceding words. | | | |

6.2 Hardware Accessed Words

This section describes the Flash words that are loaded by the I210 hardware. Most of these bits are located in configuration registers. The words are read and used only if the Flash *Validity* field in word 0x12 is read as 01b.

Note: When **Word** is mentioned before a Flash address, the address is the absolute address in the Flash. When **Offset** is mentioned before a Flash address, the address is relative to the start of the relevant Flash section.

6.2.1 Ethernet Address (Words 0x00-0x02)

The Ethernet Individual Address (IA) is a 6-byte field that must be unique for each NIC, and thus unique for each copy of the Flash image. The first three bytes are vendor specific. The value from this field is loaded into the Receive Address Register 0 (RAL0/RAH0).

The Ethernet address is loaded from addresses 0x0 to 0x02. The following table lists the mapping of the Ethernet MAC addresses to the Flash words.

| MAC Address | 0x00 | 0x01 | 0x02 |
|-------------------|--------|--------|--------|
| 00-A0-C9-00-00-00 | 0xA000 | 0x00C9 | 0x0000 |

6.2.2 Initialization Control Word 1 (Word 0x0A)

The Initialization Control Word 1 contains initialization values that:

- Set defaults for some internal registers
- Enable/disable specific features
- Determine which PCI configuration space values are loaded from the Flash.



| Bit | Name | Default HW Mode | Description |
|------|---------------------------|-----------------|---|
| 15 | iNVM | 0b | |
| 14 | GPAR_EN | 0b ¹ | Global Parity Enable Enables parity checking of all the I210 memories. 0b = Disable parity check 1b = Enable parity check according to the per RAM parity enable bits. Loaded to the <i>PCIERRCTL</i> register (refer to Section 8.24.4) only at LAN_PWR_GOOD events. |
| 13 | LTR_EN | 1b | LTR Capabilities Reporting Enable 0b = Do not report LTR support in the PCIe configuration Device Capabilities 2 register. 1b = Report LTR support in the PCIe configuration Device Capabilities 2 register. Defines the default setting of LTR capabilities reporting (refer to Section 9.4.6.11). |
| 12 | VPD_EN | 0b | VPD Capability Enable. 0b - Do not report VPD support. 1b - Report VPD support. This bit must be set in Flash images only once the VPD area is programmed with a valid contents. |
| 11 | HI_DISABLE | 0b | Host Interface Disable. This bit is meaningful only for the I211 SKU. 1b = Do not allow the host to download firmware code. 0b = The host is allowed to download firmware code using the flow described in Section 3.4.6 . |
| 10:7 | Reserved | 0x0 | Reserved |
| 6 | SDP_DDOFF_EN | 0b | When set, SDP I/Os keep their value and direction when the I210 enters Dynamic Device Off mode. When cleared, SDP I/Os move to HighZ plus pull-up mode in Dynamic Device Off mode. This bit is meaningless if Dynamic Device Off mode is disabled in Flash word 0x1E. |
| 5 | Deadlock Timeout Enable | 1b | If set, a software device driver granted access to the Flash that does not toggle the Flash interface for more than eight seconds will have the grant revoked. Refer to Section 3.3.7 . This bit also enables <i>EERD</i> and <i>EEMNGCTL</i> timeout if the Flash is not responding to status read. |
| 4 | LAN PLL Shutdown Enable | 0b | When set, enables shutting down the PHY PLL in low-power states when the internal PHY is powered down (such as link disconnect). When cleared, the PHY PLL is not shut down in a low-power state. |
| 3 | Power Management | 1b | 0b = Power management registers set to read only. In this mode, the I210 does not execute a hardware transition to D3. 1b = Full support for power management. For normal operation, this bit must be set to 1b. See section 9.4.1 . |
| 2 | DMA Clock Gating Disabled | 1b | When set, disables DMA clock gating power saving mode. |
| 1 | Load Subsystem IDs | 1b | When this bit is set to 1b the I210 loads its PCIe subsystem ID and subsystem vendor ID from the Flash (Subsystem ID and Subsystem Vendor ID Flash words). |
| 0 | Load Vendor/Device IDs | 1b | When set to 1b the I210 loads its PCIe Device IDs from the Flash (Device ID Flash words) and the PCIe Vendor ID from the Flash. |

1. This bit must be set to 1b in every Flash image.



6.2.3 Subsystem ID (Word 0x0B)

If the Load Subsystem IDs in Initialization Control Word 1 Flash word is set, the Subsystem ID word in the Common section is read in to initialize the PCIe Subsystem ID. Default value is 0x0 (refer to [Section 9.3.14](#)).

6.2.4 Subsystem Vendor ID (Word 0x0C)

If the Load Subsystem IDs bit in Initialization Control Word 1 Flash word is set, the Subsystem Vendor ID word in the Common section is read in to initialize the PCIe Subsystem Vendor ID. The default value is 0x8086 (refer to [Section 9.3.13](#)).

6.2.5 Device ID (Word 0x0D)

If the Load Vendor/Device IDs bit in Initialization Control Word 1 is set, the Device ID Flash word is read in from the Common section to initialize the device ID of the LAN function. The default value is 0x1533 for the I210 (copper only SKU) (for other SKUs refer to [Section 9.3.2](#)).

6.2.6 Vendor ID (Word 0x0E)

If the Load Vendor/Device IDs bit in Initialization Control Word 1 Flash word is set, this word is read in to initialize the PCIe Vendor ID. The default value is 0x8086 (refer to [Section 9.3.1](#)).

Note: If a value of 0xFFFF is placed in the Vendor ID Flash word, the value in the PCIe Vendor ID register returns to the default 0x8086 value. This functionality is implemented to avoid a system hang situation.

6.2.7 Initialization Control Word 2 (Word 0x0F)

The Initialization Control Word 2 read by the I210, contains additional initialization values that:

- Set defaults for some internal registers
- Enable/disable specific features

| Bit | Name | Default HW Mode | Description |
|-------|---------------------|-----------------|--|
| 15 | APM PME# Enable | 0b | Initial value of the <i>Assert PME On APM Wakeup</i> bit in the Wake Up Control (WUC.APMPME) register. Refer to Section 8.21.1 . |
| 14 | PCS Parallel Detect | 1b | Enables PCS parallel detect. Mapped to the <i>PCS_LCTL.AN_TIMEOUT_EN</i> bit. Refer to Section 8.17.2 . Note: Bit should be 0b only when the port operates in SGMII mode (<i>CTRL_EXT.LINK_MODE</i> = 10b). |
| 13:12 | Pause Capability | 11b | Desired pause capability for advertised configuration base page. Mapped to <i>PCS_ANADV.ASM</i> . Refer to Section 8.17.4 . |
| 11 | ANE | 0b | Auto-Negotiation Enable Mapped to <i>PCS_LCTL.AN_ENABLE</i> . Refer to Section 8.17.2 . Note: Bit should be 0b when the port operates in internal copper PHY mode and 1000BASE-KX modes. |
| 10 | FRCSPEED | 0b | Force Speed Default setting for the <i>Force Speed</i> bit in the Device Control register (<i>CTRL[11]</i>). Refer to Section 8.2.1 |
| 9 | FD | 1b | Full-Duplex Default setting for duplex setting. Mapped to <i>CTRL[0]</i> . Refer to Section 8.2.1 |



| Bit | Name | Default HW Mode | Description |
|-----|---------------------------------|-----------------|--|
| 8 | TX_LPI_EN | 0b | Enable entry into EEE LPI on TX path. Refer to Section 8.25.12 . 0b = Disable entry into EEE LPI on Tx path. 1b = Enable entry into EEE LPI on Tx path. |
| 7 | MAC Clock Gating Enable | 0b | Enables the MAC clock gating power saving mode. Mapped to <i>STATUS[31]</i> . This bit is relevant only if the <i>Enable Dynamic MAC Clock Gating</i> bit is set. Refer to Section 8.2.2 . |
| 6 | PHY Power Down Enable | 1b | When set, enables the internal PHY to enter a low-power state (refer to Section 3.7.8.5). This bit is mapped to <i>CTRL_EXT[20]</i> (refer to Section 8.2.3). |
| 5 | 10BASE-TE | 0b | Enable Low Amplitude 10BASE-T Operation Setting this bit enables the I210 to operate in IEEE802.3az 10BASE-Te low power operation. Bit is loaded to <i>IPCNFG.10BASE-TE</i> register bit (refer to Section 8.27.1). 0b = 10BASE-Te operation disabled. 1b = 10BASE-Te operation enabled. Note: When operating in 10BASE-T mode and bit is set supported cable length is reduced. |
| 4 | Reserved | 0b | Reserved |
| 3 | Enable Dynamic MAC Clock Gating | 0b | When set, enables dynamic MAC clock gating mechanism. Refer to Section 8.2.3 . |
| 2 | SerDes Low Power Enable | 0b | When set, enables the SerDes to enter a low power state when the function is in Dr state. Refer to Chapter 5.0 and Section 8.2.3 . |
| 1 | EEE_1G_AN | 1b | Report EEE 1 GbE Capability in Auto-negotiation. Refer to Section 8.27.1 . 0b = Do not report EEE 1 GbE capability in auto-negotiation. 1b = Report EEE 1 GbE capability in auto-negotiation. |
| 0 | EEE_100M_AN | 1b | Report EEE 100 Mb/s Capability in Auto-negotiation. Refer to Section 8.27.1 . 0b = Do not report EEE 100 Mb/s capability in auto-negotiation. 1b = Report EEE 100 Mb/s capability in auto-negotiation. |

6.2.8 Flash Device Size (Word 0x11)

| Bit | Name | Default HW Mode | Description |
|------|-------------------------------|-----------------|---|
| 15:9 | Reserved | 0b | Reserved |
| 8 | Flash Defaults from Word 0x11 | 0b | When set, the Flash settings are taken from bits 7:3 of this Flash word - even if the Flash part was found in the Flash devices table embedded in the firmware image. This is useful for diagnostics. |
| 7 | Fast Read Support | 0b | When set, the fast read sequence is used when reading from the Flash part. Meaningful only when bit 8 is set or when the Flash part was not found in the Flash devices table embedded in the firmware image. |
| 6:5 | Flash Speed | 00b | Indicates the frequency of the clock provided to Flash. 00b = Clock is 15.125 MHz, 01b = Clock is 31.25 MHz, 10b = Clock is 62.5 MHz, 11b = Reserved Meaningful only when bit 8 is set or when the Flash part was not found in the Flash devices table embedded in the firmware image. |



| | | | |
|-----|-----------------------|------|---|
| 4 | Unprotect After Reset | 0b | When set, the Flash internal protection is removed after reset - operating the device in the non-secured mode. |
| 3 | SST Mode | 0b | When set, the device operates the Flash device pins as if it was an SST Flash part. Meaningful only when bit 8 is set or when the Flash part was not found in the Flash devices table embedded in the firmware image. |
| 2:0 | FL_SIZE | 000b | Flash Size. Indicates the size of the Flash device according to the following equation: Size = 64 KB * 2 ** "FL_SIZE". Supported Flash sizes: 000b = 0 - no Flash device 101b = 2 MB 110b = 4 MB 111b = 8 MB |

6.2.9 Flash Validity and Protected Fields (Word 0x12)

| Bit | Name | Default HW Mode | Description |
|-------|-----------------------------|-----------------|---|
| 15:14 | NVM Validity | | The <i>Validity</i> field indicates to the I210 that there is a valid Flash present. If the field is 01b, Flash read is performed, otherwise the other bits in this word are ignored, no further Flash read is performed, and hardware default values are used for the configuration space IDs. |
| 13 | NVM_SEC_EN | 0b | Flash Security Enable. 0b - Operate the device in the blank Flash programming mode (not performing any of the Flash security checks). 1b - Flash security protection scheme is enabled (provided the device is not operated in the blank Flash programming mode by another mean). Refer to Section 3.3.1.2 . After writing this bit to 1b, a firmware reset or a power cycle is required before the Flash security mode is entered. |
| 12:11 | Reserved | 0x0 | Reserved. |
| 10:0 | Start of 2nd Protected Area | 0x7FF | Defines the start of the 2nd area in the Flash that is RO. The resolution is one word and can be up to word address 0x7FF. The area's end coincides with the shadow RAM's end. |

6.2.10 Initialization Control 4 (Word 0x13)

These words control general initialization values of the LAN port.

| Bit | Name | Default HW Mode | Description |
|------|------------|-----------------|---|
| 15:8 | Reserved | 0x0 | Reserved. |
| 7 | SPD Enable | 1b | Smart Power Down When set, enables internal PHY smart power down mode (refer to Section 3.7.8.5.5). |
| 6 | LPLU | 1b | Low Power Link Up Enables a decrease in link speed in non-D0a states when power policy and power management states dictate it (refer to Section 3.7.8.5.4). |
| 5:1 | PHY_ADD | 0x00 | PHY address. Value loaded to the <i>MDICNFG.PHYADD</i> field. Refer to Section 8.2.5 . |
| 0 | DEV_RST_EN | 1b | Enable software reset (<i>CTRL.DEV_RST</i>) generation to the LAN port (refer to Section 4.3). |



6.2.11 PCIe L1 Exit Latencies (Word 0x14)

| Bits | Name | Default HW Mode | Description |
|-------|------------------------|-----------------|---|
| 15 | Reserved | 1b | Reserved. |
| 14:12 | L1_Act_Acc_Latency | 110b | Loaded to the <i>Endpoint L1 Acceptable Latency</i> field in Device Capabilities in the PCIe Configuration registers at power up. |
| 11:6 | Reserved | 0b | Reserved. |
| 5:3 | L1 G1 Sep exit latency | 100b | L1 exit latency G1S. Loaded to Link Capabilities -> L1 Exit Latency at PCIe v2.1 (2.5GT/s) system in a separate clock setting. |
| 2:0 | L1 G1 Com exit latency | 100b | L1 exit latency G1C. Loaded to Link Capabilities -> L1 Exit Latency at PCIe v2.1 (2.5GT/s) system in a common clock setting. |

6.2.12 PCIe Completion Timeout Configuration (Word 0x15)

| Bit | Name | Default HW Mode | Description |
|------|---------------------------|-----------------|---|
| 15:5 | Reserved | | Reserved. |
| 4 | Completion Timeout Resend | 0b | When set, enables to resend a request once the completion timeout expired. 0b = Do not re-send request on completion timeout. 1b = Re-send request on completion timeout. Refer to Section 8.6.1. |
| 3:0 | Reserved | 0x0 | Reserved. |

6.2.13 MSI-X Configuration (Word 0x16)

These words configure MSI-X functionality for the LAN.

| Bit | Name | Default HW Mode | Description |
|-------|----------|-----------------|--|
| 15:11 | MSI_X_N | 0x4 | This field specifies the number of entries in MSI-X tables of the relevant LAN. The range is 0-4. MSI_X_N is equal to the number of entries minus one. Refer to Section 9.4.3.3. |
| 10 | MSI Mask | 1b | MSI Per-vector Masking Setting This bit is loaded to the masking bit (bit 8) in the Message Control word of the MSI Configuration Capability structure. |
| 9:0 | Reserved | 0x0 | Reserved. |

6.2.14 PCIe Init Configuration 1 (Word 0x18)

This word is used to define L0s exit latencies.

| Bits | Name | Default HW Mode | Description |
|-------|------------------------|-----------------|--|
| 15 | Reserved | 0b | Reserved. |
| 14:12 | L0s Acceptable Latency | 011b | Loaded to the <i>Endpoint L0s Acceptable Latency</i> field in the Device Capabilities in the PCIe configuration registers at power up. |



| Bits | Name | Default HW Mode | Description |
|------|-------------------------|-----------------|--|
| 11:6 | Reserved | 0b | Reserved. |
| 5:3 | L0s G1 Sep Exit Latency | 111b | L0s Exit Latency G1S Loaded to <i>L0s Exit Latency</i> field in the Link Capabilities register in the PCIe Configuration registers in PCIe v2.1 (2.5GT/s) system at a separate clock setting. |
| 2:0 | L0s G1 Com Exit Latency | 101b | L0s Exit Latency G1C Loaded to <i>L0s Exit Latency</i> field in the Link Capabilities register in the PCIe Configuration registers in PCIe v2.1 (2.5GT/s) system at a Common clock setting. |

6.2.15 PCIe Init Configuration 2 Word (Word 0x19)

This word is used to set defaults for some internal PCIe configuration registers.

| Bit | Name | Default HW Mode | Description |
|------|----------------------|-----------------|--|
| 15 | Reserved | | Reserved. |
| 14 | IO_Sup | 1b | I/O Support (affects I/O BAR request) When set to 1b, I/O is supported. When cleared the <i>I/O Access Enable</i> bit in the Command Reg in the Mandatory PCI Configuration area is RO with a value of 0b. For additional information on CSR access via I/O address space, see Section 8.1.1.5 . |
| 13 | CSR_conf_en | 1b | Enable CSR Access Via Configuration Space When set, enables CSR access via the configuration registers located at configuration address space 0x98 and 0x9C. For additional information on CSR access via configuration address space, see Section 8.1.1.6 . |
| 12 | Serial Number Enable | 1b | Serial Number Capability Enable Should be set to 1b. |
| 11:0 | Reserved | 0x0 | Reserved. |



6.2.16 PCIe Init Configuration 3 Word (Word 0x1A)

This word is used to set defaults for some internal PCIe registers.

| Bit | Name | Default HW Mode | Description |
|-------|------------------------|-----------------|--|
| 15:13 | AER Capability Version | 0x2 | AER Capability Version Number PCIe AER extended capability version number. Refer to Section 9.5.1.1 . |
| 12 | Cache_Lsize | 0b | Cache Line Size 0b = 64 bytes. 1b = 128 bytes. This bit defines the cache line size reported in the PCIe Mandatory Configuration register area. Refer to Section 9.3.7 . |
| 11:10 | GIO_Cap | 10b | PCIe Capability Version The value of this field is reflected in the two LSBs of the capability version in the PCIe CAP register (config space – offset 0xA2). This field must be set to 10b to use extended configuration capability. Note that this is not the PCIe version. It is the PCIe capability version. This version is a field in the PCIe capability structure and is not the same as the PCIe version. It changes only when the content of the capability structure changes. For example, PCIe 1.0, 1.0a, and 1.1 all have a capability version of one. PCIe 2.0 has a version of two because it added registers to the capabilities structures. Refer to Section 9.4.6.3 . |
| 9:8 | Max Payload Size | 10b | Default Packet Size 00b = 128 bytes. 01b = 256 bytes. 10b = 512 bytes. 11b = Reserved. Loaded to two LSB bits of the <i>Max Payload Size Supported</i> field in the Device Capabilities register (refer to Section 9.4.6.4). |
| 7:4 | Reserved | | Reserved. |
| 3:2 | Act_Stat_PM_Sup | 11b | Determines support for active state link power management. Loaded into the PCIe Active State Link PM Support register. Refer to Section 9.4.6.7 . |
| 1 | Slot_Clock_Cfg | 1b | When set, the I210 uses the PCIe reference clock supplied on the connector (for add-in solutions). |
| 0 | Reserved | | Reserved. |

6.2.17 PCIe Control 1 (Word 0x1B)

This word is used to configure initial settings for PCIe default functionality.

| Bit | Name | Default HW Mode | Description |
|-------|---------------|-----------------|---|
| 15:12 | Reserved | 0x0 | Reserved. |
| 11 | Disable ACLs | 0b | If set, the ACLs on the PCIe VDMs are disabled. |
| 10 | No_Soft_Reset | 1b | No_Soft_Reset This bit defines the behavior of the I210 when a transition from the D3hot to D0 power state occurs. When this bit is set, no internal reset is issued when making a transition from D3hot to D0. Value is loaded to the <i>No_Soft_Reset</i> bit in the PMCSR register (refer to Section 9.4.1.4). |
| 9:0 | Reserved | 0 | Reserved. |



6.2.18 LED1 Configuration Defaults (Word 0x1C)

These Flash words specify the hardware defaults for the LEDCTL register fields controlling the LED1 (ACTIVITY indication) output behavior. These words control the LED behavior of the LAN port.

| Bit | Name | Default HW Mode | Description |
|------|-------------|-----------------|--|
| 15:8 | Reserved | 0x0 | Reserved. |
| 7 | LED1 Blink | 1b | Initial value of <i>LED1_BLINK</i> field. 0b = Non-blinking. See Section 8.2.8 and Section 7.5 . |
| 6 | LED1 Invert | 0b | Initial value of <i>LED1_IVRT</i> field. 0b = Active-low output. See Section 8.2.8 and Section 7.5 . |
| 5:4 | Reserved | 00b | Reserved. |
| 3:0 | LED1 Mode | 0100b | Initial value of the <i>LED1_MODE</i> field specifying what event/state/pattern is displayed on LED1 (LINK/ACTIVITY) output. A value of 0100b (0x4) indicates the LINK state when active and ACTIVITY when BLINK. See Section 8.2.8 and Section 7.5 . |

6.2.19 Device Rev ID (Word 0x1E)

| Bit | Name | Default HW Mode | Description |
|-------|---|-----------------|--|
| 15 | (Static) Device Off Enable ¹ | 0b | Enable power down when the DEV_OFF_N pin is asserted. Refer to Section 5.2.4.1 for details. |
| 14 | Dynamic Device Off Enable ¹ | 0b | Enable Dynamic Power Down The device dynamically powers down when PCIe is in Dr state and the PHY/SerDes is not used for manageability or WoL. Refer to Section 5.2.6.2 for details. |
| 13:12 | Reserved | 00b | • Reserved. |
| 11 | LAN iSCSI Enable | 0b | When set, the LAN class code is set to 0x010000 (SCSI) When reset, the LAN class code is set to 0x020000 (LAN) Refer to Section 9.3.6 . |
| 10 | Reserved | 0b | Reserved. |
| 9:8 | Lanphy_devoff_pwrdn_conf | 00b | 00b = No copper PHY power down in device off states. 01b = Power Down with energy detect in device off state. 1xb = IEEE power down - coming out of power down is immediate, link needs to be re-negotiated. This is the recommended NVM setting when the device off feature is enabled. |
| 7:0 | DEVREVID | 0x0 | Device Revision ID The actual device revision ID is this Flash value XORed with the hardware default of Rev ID. For any device version the default value in this field is set to zero unless we need to overwrite the hardware default. Refer to Section 9.3.5 . |

1. One single device off mode can be enabled in NVM/iNVM at the same time, either Static or Dynamic Device Off mode.



6.2.20 LED0,2 Configuration Defaults (Word 0x1F)

These Flash words specify the hardware defaults for the LEDCTL register fields controlling the LED (LINK_UP) and LED2 (LINK_100) output behaviors. These words control the LED behavior of the LAN port.

| Bit | Name | Default HW Mode | Description |
|-------|-------------------|-----------------|--|
| 15 | LED2 Blink | 0b | Initial value of <i>LED2_BLINK</i> field. 0b = Non-blinking. Refer to Section 8.2.8 and Section 7.5 . |
| 14 | LED2 Invert | 0b | Initial value of <i>LED2_IVRT</i> field. 0b = Active-low output. Refer to Section 8.2.8 and Section 7.5 . |
| 13:12 | Reserved | 0x0 | Reserved |
| 11:8 | LED2 Mode | 0111b | Initial value of the <i>LED2_MODE</i> field specifying what event/state/pattern is displayed on the LED2 (LINK_1000) output. A value of 0111b (0x7) indicates 1000 Mb/s operation. Refer to Section 8.2.8 and Section 7.5 . |
| 7 | LED0 Blink | 0b | Initial value of <i>LED0_BLINK</i> field. 0b = Non-blinking. Refer to Section 8.2.8 and Section 7.5 . |
| 6 | LED0 Invert | 0b | Initial value of <i>LED0_IVRT</i> field. 0b = Active-low output. Refer to Section 8.2.8 and Section 7.5 . |
| 5 | Global Blink Mode | 0b | Global Blink Mode 0b = Blink at 200 ms on and 200 ms off. 1b = Blink at 83 ms on and 83 ms off. Refer to Section 8.2.8 and Section 7.5 . |
| 4 | Reserved | 0b | Reserved. Set to 0b. |
| 3:0 | LED0 Mode | 0110b | Initial value of the <i>LED0_MODE</i> field specifying what event/state/pattern is displayed on the LED0 (LINK_100) output. A value of 0110b (0x4) indicates the LINK_100 state. Refer to Section 8.2.8 and Section 7.5 . |

6.2.21 Software Defined Pins Control (Word 0x20)

These words at offset 0x20 from start of relevant Flash section are used to configure initial settings of software defined pins (SDPs) for the LAN.

| Bit | Name | Default HW Mode | Description |
|-----|--------------------|-----------------|---|
| 15 | SDPDIR[3] | 0b | SDP3 Pin – Initial Direction This bit configures the initial hardware value of the <i>SDP3_IODIR</i> bit in the Extended Device Control (CTRL_EXT) register following power up. Refer to Section 8.2.3 . |
| 14 | SDPDIR[2] | 0b | SDP2 Pin – Initial Direction This bit configures the initial hardware value of the <i>SDP2_IODIR</i> bit in the Extended Device Control (CTRL_EXT) register following power up. See section 8.2.3 . |
| 13 | PHY_in_LAN_disable | 1b | Determines the behavior of the MAC and PHY when the LAN port is disabled through an external pin. 0b = MAC and PHY are kept functional in device off mode (to support manageability). 1b = MAC and PHY are powered down in device off mode (manageability cannot access the network through this port). |



| Bit | Name | Default HW Mode | Description |
|-----|-------------------------|-----------------|--|
| 12 | Disable 100 in non-D0a | 0b | Disables 1000 Mb/s and 100 Mb/s operation in non-D0a states (refer to Section 3.7.8.5.4). Sets default value of PHPM.Disable 100 bit in non-D0a mode. |
| 11 | Reserved | 0b | Reserved. |
| 10 | I2C_ON_SDP_EN | 0b | When set to 1b, SDP pins 0 and 2 operate as I ² C pins controlled by the I2CCMD and I2CPARAMS registers set. Used to set the default value of <i>CTRL_EXT.I2C over SDP Enabled</i> . Refer to Section 8.2.3 . |
| 9 | SDPDIR[1] | 0b | SDP1 Pin – Initial Direction This bit configures the initial hardware value of the <i>SDP1_IODIR</i> bit in the Device Control (CTRL) register following power up. See section 8.2.1 . |
| 8 | SDPDIR[0] | 0b | SDP0 Pin – Initial Direction This bit configures the initial hardware value of the <i>SDP0_IODIR</i> bit in the Device Control (CTRL) register following power up. See section 8.2.1 . |
| 7 | SDPVAL[3] | 0b | SDP3 Pin – Initial Output Value This bit configures the initial power-on value output on SDP3 (when configured as an output) by configuring the initial hardware value of the <i>SDP3_DATA</i> bit in the Extended Device Control (CTRL_EXT) register after power up. See section 8.2.3 . |
| 6 | SDPVAL[2] | 0b | SDP2 Pin – Initial Output Value This bit configures the initial power-on value output on SDP2 (when configured as an output) by configuring the initial hardware value of the <i>SDP2_DATA</i> bit in the Extended Device Control (CTRL_EXT) register after power up. See section 8.2.3 . |
| 5 | WD_SDP0 | 0b | When set, SDP[0] is used as a watchdog timeout indication. When reset, it is used as an SDP (as defined in bits 8 and 0). See section 8.2.1 . |
| 4 | Giga Disable | 0b | When set, GbE operation is disabled. A usage example for this bit is to disable GbE operation if system power limits are exceeded (refer to Section 3.7.8.5.4). |
| 3 | Disable 1000 in non-D0a | 1b | Disables 1000 Mb/s operation in non-D0a states (refer to Section 3.7.8.5.4). |
| 2 | D3COLD_WAKEUP_ADVEN | 1b | Controls reporting of D3 Cold wake-up support in the Power Management Capabilities (PMC) configuration register (refer to Section 9.4.1.3). In addition, bit is loaded to <i>CTRL.ADV3WUC</i> (refer to Section 8.2.1). When set, D3Cold wake up capability is advertised based on whether AUX_PWR pin is connected to 3.3V to advertise presence of auxiliary power (yes, if AUX_PWR is indicated, no otherwise). When set to 0b, D3Cold wake up capability is not advertised even if AUX_PWR presence is indicated. If full 1 GbE operation in D3 state is desired but the system's power requirements in this mode would exceed the D3Cold wake up enabled specification limit (375 mA at 3.3V), this bit can be used to prevent the capability from being advertised to the system. |
| 1 | SDPVAL[1] | 0b | SDP1 Pin – Initial Output Value This bit configures the initial power-on value output on SDP1 (when configured as an output) by configuring the initial hardware value of the <i>SDP1_DATA</i> bit in the Device Control (CTRL) register after power up. See section 8.2.1 . |
| 0 | SDPVAL[0] | 0b | SDP0 Pin – Initial Output Value This bit configures the initial power-on value output on SDP0 (when configured as an output) by configuring the initial hardware value of the <i>SDP0_DATA</i> bit in the Device Control (CTRL) register after power up. See section 8.2.1 . |



6.2.22 Functions Control (Word 0x21)

| Bit | Name | Default HW Mode | Description |
|-------|------------------|-----------------|--|
| 15:12 | Reserved | 0x0 | Reserved. |
| 11 | NC-SI ARB Enable | 0b | NC-SI Hardware Arbitration Enable 0b = NCSI_ARB_IN and NCSI_ARB_OUT pads are not used. NCSI_ARB_IN is pulled up internally to provide stable input. 1b = NCSI_ARB_IN and NCSI_ARB_OUT pads are used. |
| 10 | BAR32 | 1b | Bit (loaded to the <i>BARCTRL</i> register) preserves the legacy 32-bit BAR mode when BAR32 is set. When cleared to 0b, 64-bit BAR addressing mode is selected. Note: If <i>PREFBAR</i> is set, the <i>BAR32</i> bit should always be 0b (64-bit BAR addressing mode). Refer to Section 9.3.11 . |
| 9 | PREFBAR | 0b | 0b = BARs are marked as non prefetchable. 1b = BARs are marked as prefetchable. Refer to Section 9.3.11 . Notes: 1. The I210 implements non-prefetchable space in memory BAR, since it has read side affects. This bit is loaded from the <i>PREFBAR</i> bit in the Flash. 2. If <i>PREFBAR</i> bit is set then the <i>BAR32</i> bit should be 0b. |
| 8 | drop_os2bmc | 1b | 0b = Do not drop OS2BMC packets when the management buffer is not available. 1b = Drop OS2BMC packets when the management buffer is not available. Note: Clearing this bit avoids the loss of OS2BMC traffic but might cause head of line blocking on traffic to network. |
| 7:3 | Reserved | 0b | Reserved. |
| 2 | drop_bmc2os | 1b | 0b = Do not drop BMC2OS packets when no Rx descriptors are available. 1b = Drop BMC2OS packets when no Rx descriptors are available. |
| 1:0 | Reserved | 0x0 | Reserved. |



6.2.23 LAN Power Consumption (Word 0x22)

| Bit | Name | Default HW Mode | Description |
|------|----------------------------|-----------------|---|
| 15:8 | LAN D0 Power | 0x0 | The value in this field is reflected in the PCI Power Management Data Register of the PCIe function for D0 power consumption and dissipation (<i>Data_Select</i> = 0 or 4). Power is defined in 100 mW units. The power also includes the external logic required for the LAN function. Refer to Section 9.4.1.4 . |
| 7:5 | PCIe Function Common Power | 0x0 | The value in this field is reflected in the PCI Power Management Data register of the PCIe function when the <i>Data_Select</i> field is set to 8 (common function). The MSBs in the data register that reflects the power values are padded with zeros. Refer to Section 9.4.1.4 . |
| 4:0 | LAN D3 Power | 0x0 | The value in this field is reflected in the PCI Power Management Data register of the PCIe function for D3 power consumption and dissipation (<i>Data_Select</i> = 3 or 7). Power is defined in 100 mW units. The power also includes the external logic required for the function. The MSBs in the data register that reflects the power values are padded with zeros. Refer to Section 9.4.1.4 . |

6.2.24 Initialization Control 3 (Word 0x24)

These words control the general initialization values of the LAN port.

| Bit | Name | Default HW Mode | Description |
|-------|----------------------------|-----------------|---|
| 15 | SerDes Energy Source | 0b | SerDes Energy Source Detection When set to 0b, source is internal SerDes Rx circuitry for electrical idle or link-up indication. When set to 1b, source is external SRDS_[n]_SIG_DET signal for electrical idle or Link-up indication. This bit also indicates the source of the signal detect while establishing a link in SerDes mode. This bit sets the default value of the <i>CONNSW.ENRGSRC</i> bit. Refer to Section 8.2.6 . |
| 14 | 2 wires SFP Enable | 0b | 2-wire SFP Interface Enable This bit is used to enable interfacing an external PHY either VIA the MDIO or I ² C interface 0b = Disabled. When disabled, the 2-wire I/F pads are isolated. 1b = Enabled. Used to set the default value of <i>CTRL_EXT.I2C Enabled</i> . Refer to Section 8.2.3 . |
| 13 | ILOS | 0b | Invert Loss-of-Signal (LOS/LINK) Signal Default setting for the loss-of-signal polarity bit (<i>CTRL[7]</i>). Refer to Section 8.2.1 . |
| 12:11 | Reserved | 00b | Reserved. |
| 10 | APM Enable | 0b | Initial value of <i>Advanced Power Management Wake Up Enable</i> bit in the Wake Up Control (<i>WUC.APME</i>) register. Mapped to <i>CTRL[6]</i> and to <i>WUC[0]</i> . Refer to Section 8.2.1 and Section 8.21.1 . Note: The disabled port that has the <i>PHY_in_LAN_disable</i> Flash bit (refer to Section 6.2.21), set to 1b, the <i>APM Enable</i> Flash bit should be 0b. |
| 9 | Enable Automatic Crossover | 1b | When set, the device automatically determines whether or not it needs to cross over between pairs so that an external cross-over cable is not required. Used to set the default value to <i>IPCNFG</i> bit 0. |
| 8 | ACBYP | 0b | Bypass On-chip AC Coupling in Rx Input Buffers ACBYP = 0 - Normal mode; on-chip AC coupling present. ACBYP = 1 - On-chip AC coupling bypassed. |
| 7 | LAN Boot Disable | 1b | A value of 1b disables the Expansion ROM BAR in the PCI configuration space. |
| 6 | EN_APM_D0 | 0b | Enable APM Wake On D0 0b = Enable APM wake only when function is in D3 and <i>WUC.APME</i> is set to 1b. 1b = Always enable APM wake when <i>WUC.APME</i> is set to 1b. Loaded to the <i>WUC.EN_APM_D0</i> bit (refer to Section 8.21.1). |



| Bit | Name | Default HW Mode | Description |
|-----|---------------------|-----------------|---|
| 5:4 | Link Mode | 00b | Initial value of <i>Link Mode</i> bits of the Extended Device Control (<i>CTRL_EXT.LINK_MODE</i>) register, specifying which link interface and protocol is used by the MAC. 00b = MAC operates with internal copper PHY (10/100/1000BASE-T). 01b = MAC and SerDes I/F operate in 1000BASE-KX mode. 10b = MAC and SerDes operate in SGMII mode. 11b = MAC and SerDes I/F operate in SerDes (1000BASE-BX) mode. See Section 8.2.3 . |
| 3 | Reserved | 0b | Reserved. |
| 2 | External MDIO | 0b | When set, the PHY management interface is via the external MDIO interface. Loaded to MDICNFG.Destination (refer to Section 8.2.5). |
| 1 | EXT_VLAN | 0b | Sets the default for CTRL_EXT[26] bit. Indicates that additional VLAN is expected in this system (refer to Section 8.2.3). |
| 0 | Keep_PHY_Link_Up_En | 0b | Enables <i>No PHY Reset</i> when the MC indicates that the PHY should be kept on. When asserted, this bit prevents the PHY reset signal and the power changes reflected to the PHY according to the <i>MANC.Keep_PHY_Link_Up</i> value. |

6.2.25 PCIe Control 2 (Word 0x28)

This word is used to configure the initial settings for the PCIe default functionality.

| Bits | Name | Default HW Mode | Description |
|-------|--------------------------|-----------------|---|
| 15:14 | Reserved | | Reserved |
| 13 | ECRC Generation for MCTP | 0b | 0b = Add ECRC to MCTP packets if ECRC is enabled via the <i>ECRC Generation Enable</i> field in PCIe Advanced Error Capabilities and Control register. 1b = Do not add ECRC to MCTP packets even if ECRC is enabled. Should be cleared in normal operation. |
| 12 | ECRC Check | 1b | Loaded into the <i>ECRC Check Capable</i> bit of the PCIe Advanced Error Capabilities and Control register. 0b = Function is not capable of checking ECRC. 1b = Function is capable of checking ECRC. |
| 11 | ECRC Generation | 1b | Loaded into the <i>ECRC Generation Capable</i> bit of the PCIe Advanced Error Capabilities and Control register. 0b = Function is not capable of generating ECRC. 1b = Function is capable of generating ECRC. |
| 10 | FLR Capability Enable | 1b | FLR Capability Enable bit is loaded to the PCIe configuration registers -> Device Capabilities. |
| 9:6 | FLR Delay | 0x1 | Delay in microseconds from D0 to D3 move until a reset assertion. Meaningless when the FLR delay disable bit is set to 1b. |
| 5 | FLR Delay Disable | 1b | FLR Delay Disable 0 = Add delay to FLR assertion. 1 = Do not add delay to FLR assertion. |
| 4 | Reserved | | Reserved. |
| 3:1 | FLBAR_Size | 111b | Indicates the Flash size to be exposed in the host memory BAR according to the following equation: $Size = 64\text{ KB} * 2^{**}(FLBAR_Size\text{ field})$. From 0.5 MB up to 8 MB in powers of 2. This impacts the requested memory space for the Flash and Expansion ROM BARs in PCIe configuration space. Note: When <i>CSR_Size</i> and <i>FLBAR_Size</i> fields in the Flash are set to 0x0, Flash BAR in the PCI configuration space is disabled. |
| 0 | CSR_Size | 0b | The <i>CSR_Size</i> and <i>FLBAR_Size</i> fields define the usable Flash size and CSR mapping window size as shown in BARCTRL register description. Note: When <i>CSR_Size</i> and <i>FLBAR_size</i> fields in the Flash are set to 0b, Flash BAR in the PCI configuration space is disabled. |



6.2.26 PCIe Control 3 (Word 0x29)

This word is used for programming PCIe functionality and function disable control.

| Bits | Name | Default HW Mode | Description |
|------|---------------------------------|-----------------|---|
| 15 | en_pin_pcie_func_dis | 0b | When set to 1b, enables disabling the PCIe function by driving the SDP_1 pin to 0b (refer to Section 4.4.3). Note: The SDP_1 pin on the port is sampled on power up and during PCIe reset. |
| 14 | Reserved | 0b | Reserved. |
| 13 | nvm_alt_aux_pwr_en ¹ | 0b | When set to 1b, SDP_3 pad controls the auxiliary power functionality. When SDP_3 pad is driven high, it indicates that auxiliary power is provided. |
| 12 | Reserved | 0b | Reserved. |
| 11 | Reserved | 0b | Reserved. |
| 10 | nvm_aux_pwr_en ¹ | 0b | When set to 1b, DEV_OFF_N pad controls the auxiliary power functionality. When DEV_OFF_N pad is driven high, it indicates that auxiliary power is provided. |
| 9:7 | Reserved | 0x0 | Reserved |
| 6 | Reserved | 0b | Reserved |
| 5 | Wake_pin_enable | 0b | Enables the use of the WAKE# pin for a PME event in all non-LTSSM L2 power states. When bit is set to 1b, the WAKE# pin is asserted even when the device is not in D3cold state, if a wake event is detected. |
| 4:0 | Reserved | 11100b | Reserved. In NVM/iNVM, set this field like its HW default value. |

¹ At most one of these two bits may be set.

6.2.27 End of Read-Only (RO) Area (Word 0x2C)

Defines the end of the area in the Flash that is RO. This is a Read Only (RO) value.

| Bit | Name | Description |
|-------|----------------|--|
| 15:11 | Reserved | Reserved. |
| 10:0 | EORO_area (RO) | Defines the end of the area in the Flash that is RO. The resolution is one word and can be up to byte address 0x7FF. A value of zero indicates no RO area. |

6.2.28 Start of RO Area (Word 0x2D)

Defines the start of the area in the Flash that is RO. This is a Read Only (RO) value.

| Bit | Name | Description |
|-------|----------------|--|
| 15:11 | Reserved | Reserved. |
| 10:0 | SORO_area (RO) | Defines the start of the area in the Flash that is RO. The resolution is one word and can be up to word address 0x7FF. |



6.2.29 Watchdog Configuration (Word 0x2E)

| Bit | Name | Default HW Mode | Description |
|-------|------------------|-----------------|---|
| 15 | Watchdog Enable | 0b | Enable Watchdog Interrupt. Refer to Section 8.14.1 . Note: If this bit is set to 1b the value of Flash <i>Watchdog Timeout</i> field should be 2 or higher to avoid immediate generation of a watchdog interrupt. |
| 14:11 | Watchdog Timeout | 0x2 | Watchdog Timeout Period (in seconds). Refer to Section 8.14.1 . Note: Loaded to 4 LSB bits of <i>WDSTP.WD_Timeout</i> field. |
| 10:0 | Reserved | | Reserved. |

6.2.30 Vital Product Data (VPD) Pointer (Word 0x2F)

This word points to the VPD structure. This structure can be used by the NIC vendor to store its own data. Upon initial programming of the Flash, the VPD pointer must point to a pre-designated VPD area (a free R/W area in the shadow RAM) - even if no VPD structure is programmed at that time. Once a VPD structure has been programmed, the VPD_EN bit in Flash word 0x0A must be set to 1b. This exposes the VPD capability in the device configuration space, following the next PCI reset event.

| Bit | Name | Description |
|------|------------|---|
| 15:0 | VPD Offset | Offset in words to the programmed VPD structure or to the free R/W shadow RAM area into which the VPD structure will be programmed in the future. Notes: 1. VPD area should be located in the first valid 2 KWords of the Flash. 2. Value of bit 15 is ignored. |

6.3 SW Reset CSR Auto Configuration Pointer (LAN Base Address + Offset 0x17)

Word points to the SW Reset CSR auto configuration structure of the LAN. Sections are loaded during HW auto-load as described in [Section 3.3.1.2](#). If no CSR autoloading is required, the word must be set to 0xFFFF.

The SW Reset CSR Auto Configuration structure format is listed in the following tables.

Table 6-2. SW Reset CSR Auto Configuration Structure Format

| Offset | High Byte[15:8] | Low Byte[7:0] | Section |
|---------|--|---------------|-------------------------------|
| 0x0 | Section Length = 3*n (n - number of CSRs to configure) | | Section 6.3.1 |
| 0x1 | Block CRC8 | | Section 6.3.2 |
| 0x2 | CSR Address | | Section 6.3.3 |
| 0x3 | Data LSB | | Section 6.3.4 |
| 0x4 | Data MSB | | Section 6.3.5 |
| | ... | | |
| 3*n - 1 | CSR Address | | Section 6.3.3 |
| 3*n | Data LSB | | Section 6.3.4 |
| 3*n + 1 | Data MSB | | Section 6.3.5 |



6.3.1 SW Reset CSR Configuration Section Length - Offset 0x0

The section length word contains the length of the section in words. Note that section length count does not include the section length word and Block CRC8 word.

| Bits | Name | Default HW Mode | Description |
|------|----------------|-----------------|--|
| 15 | Reserved | | |
| 14:0 | Section_length | | Section length in words (3 * number of CSRs to be configured). |

6.3.2 Block CRC8 (Offset 0x1)

| Bit | Name | Description |
|------|----------|--|
| 15:8 | Reserved | |
| 7:0 | CRC8 | CRC8 is computed over the module, header excluded (for example, starting from word offset 0x2 included). |

6.3.3 CSR Address - (Offset 3*n - 1; [n = 1... Section Length])

| Bits | Name | Default HW Mode | Description |
|------|----------|-----------------|--|
| 15 | Reserved | | |
| 14:0 | CSR_ADDR | | CSR Address in Double Words (4 bytes). |

6.3.4 CSR Data LSB - (Offset 3*n; [n = 1... Section Length])

| Bits | Name | Default HW Mode | Description |
|------|--------------|-----------------|---------------|
| 15:0 | CSR_Data_LSB | | CSR Data LSB. |

6.3.5 CSR Data MSB - (Offset 3*n + 1; [n = 1... Section Length])

| Bits | Name | Default HW Mode | Description |
|------|--------------|-----------------|---------------|
| 15:0 | CSR_Data_MSB | | CSR Data MSB. |

6.4 PCIe Reset CSR Auto Configuration Pointer (LAN Base Address + Offset 0x23)

This word points to the PCIe Reset CSR auto configuration structure of the LAN that is read only following power-up or PCIe reset. Sections are loaded during HW auto-load as described in [Section 3.3.1.2](#). If no CSR autoload is required, the word must be set to 0xFFFF.

The PCIe Reset CSR Auto Configuration structure format is listed in the following tables.



Table 6-3. PCIe Reset CSR Auto Configuration Structure Format

| Offset | High Byte[15:8] | Low Byte[7:0] | Section |
|---------|--|---------------|-------------------------------|
| 0x0 | Section Length = 3*n (n – number of CSRs to configure) | | Section 6.4.1 |
| 0x1 | Block CRC8 | | Section 6.4.2 |
| 0x2 | CSR Address | | Section 6.4.3 |
| 0x3 | Data LSB | | Section 6.4.4 |
| 0x4 | Data MSB | | Section 6.4.5 |
| | ... | | |
| 3*n - 1 | CSR Address | | Section 6.5.3 |
| 3*n | Data LSB | | Section 6.5.4 |
| 3*n + 1 | Data MSB | | Section 6.5.5 |

6.4.1 PCIe Reset CSR Configuration Section Length - Offset 0x0

The section length word contains the length of the section in words. Note that section length count does not include the section length word and Block CRC8 word.

| Bits | Name | Default HW Mode | Description |
|------|----------------|-----------------|--|
| 15 | Reserved | | |
| 14:0 | Section_length | | Section length in words (3 * number of CSRs to be configured). |

6.4.2 Block CRC8 (Offset 0x1)

| Bit | Name | Description |
|------|----------|---|
| 15:8 | Reserved | |
| 7:0 | CRC8 | CRC8 is computed over the module, header excluded (for example starting from word offset 0x2 included). |

6.4.3 CSR Address - (Offset 3*n - 1; [n = 1... Section Length])

| Bits | Name | Default HW Mode | Description |
|------|----------|-----------------|--|
| 15 | Reserved | | |
| 14:0 | CSR_ADDR | | CSR Address in Double Words (4 bytes). |

6.4.4 CSR Data LSB - (Offset 3*n; [n = 1... Section Length])

| Bits | Name | Default HW Mode | Description |
|------|--------------|-----------------|---------------|
| 15:0 | CSR_Data_LSB | | CSR Data LSB. |



6.4.5 CSR Data MSB - (Offset $3*n + 1$; [n = 1... Section Length])

| Bits | Name | Default HW Mode | Description |
|------|--------------|-----------------|---------------|
| 15:0 | CSR_Data_MSB | | CSR Data MSB. |

6.5 CSR Auto Configuration Power-Up Pointer (Offset 0x27)

This word points to the CSR auto configuration power-up structure of the LAN that is read only following power up. Sections are loaded during HW auto-load as described in [Section 3.3.1.2](#). If no CSR autoloading is required, the word must be set to 0xFFFF.

The CSR Auto Configuration Power-Up structure format is listed in the following tables.

Table 6-4. CSR Auto Configuration Power-Up Structure Format

| Offset | High Byte[15:8] | Low Byte[7:0] | Section |
|-----------|--|---------------|-------------------------------|
| 0x0 | Section Length = $3*n$ (n – number of CSRs to configure) | | Section 6.5.1 |
| 0x1 | Block CRC8 | | Section 6.5.2 |
| 0x2 | CSR Address | | Section 6.5.3 |
| 0x3 | Data LSB | | Section 6.5.4 |
| 0x4 | Data MSB | | Section 6.5.5 |
| | ... | | |
| $3*n - 1$ | CSR Address | | Section 6.5.3 |
| $3*n$ | Data LSB | | Section 6.5.4 |
| $3*n + 1$ | Data MSB | | Section 6.5.5 |

6.5.1 CSR Configuration Power-Up Section Length - Offset 0x0

The section length word contains the length of the section in words. Note that section length count does not include the section length word and Block CRC8 word.

| Bits | Name | Default HW Mode | Description |
|------|----------------|-----------------|---|
| 15 | Reserved | | |
| 14:0 | Section_length | | Section length in words ($3 * \text{number of CSRs to be configured}$). |

6.5.2 Block CRC8 (Offset 0x1)

| Bit | Name | Description |
|------|----------|--|
| 15:8 | Reserved | |
| 7:0 | CRC8 | CRC8 is computed over the module, header excluded (for example, starting from word offset 0x2 included). |



6.5.3 CSR Address - (Offset $3*n - 1$; [$n = 1... \text{Section Length}$])

| Bits | Name | Default HW Mode | Description |
|------|----------|-----------------|--|
| 15 | Reserved | | |
| 14:0 | CSR_ADDR | | CSR Address in Double Words (4 bytes). |

6.5.4 CSR Data LSB - (Offset $3*n$; [$n = 1... \text{Section Length}$])

| Bits | Name | Default HW Mode | Description |
|------|--------------|-----------------|---------------|
| 15:0 | CSR_Data_LSB | | CSR Data LSB. |

6.5.5 CSR Data MSB - (Offset $3*n + 1$; [$n = 1... \text{Section Length}$])

| Bits | Name | Default HW Mode | Description |
|------|--------------|-----------------|---------------|
| 15:0 | CSR_Data_MSB | | CSR Data MSB. |

6.6 RO Updates Version (Word 0x50)

This field is copied by firmware from the *RO Updates Version* field present in the trailer of the firmware secured module. Refer to [Section 6.9.2](#) and to [Section 3.3.10](#).

6.7 Firmware Module (Word 0x51)

The Firmware Module is formed by a Firmware Module header and sub-modules. Content of the header is listed in [Table 6-5](#), which holds a list of pointers to all the firmware sub-modules.

The start address (Global Flash Word offset 0x0) of the Firmware Module header depicted in [Table 6-5](#) is pointed to by the Firmware Module Pointer located at word 0x51 of the Flash.

Table 6-5. Firmware Module Header

| Global Flash Word Offset | Description |
|--------------------------|--|
| 0x0:0x2 | Reserved. Value should be 0xFFFF. |
| 0x3 | Common Firmware Parameters Pointer - Section 6.7.1 |
| 0x4 | Reserved. |
| 0x5 | Pass Through the LAN Configuration Pointer - Section 6.7.2 |
| 0x6 | Side Band Configuration Pointer - Section 6.7.3 |
| 0x7 | Flexible TCO Filter Configuration Pointer - Section 6.7.3.20 |
| 0x8 | Reserved. |
| 0x9 | Reserved Value should be 0xFFFF. |

**Table 6-5. Firmware Module Header**

| Global Flash Word Offset | Description |
|--------------------------|---|
| 0xA | NC-SI Configuration Pointer - Section 6.7.6 |
| 0xB | Traffic Types Parameters pointer - Section 6.7.7 |
| 0xC | OEM Flash Structure Pointer. |
| 0xD | Reserved. |
| 0xE | Reserved. |
| 0xF | PHY Configuration Pointer - Section 6.7.8 |
| 0x10 | SVR/LVR Control Configuration Pointer - Section 6.7.9 |

6.7.1 Common Firmware Parameters – (Global MNG Offset 0x3)

6.7.1.1 Section Header – Offset 0x0

| Bits | Name | Default HW Mode | Description | Reserved |
|------|--------------|-----------------|---|----------|
| 15:8 | Block CRC8 | | CRC8 is computed over the module, header included (for example, starting from word offset 0x0 included) where CRC8 field was zeroed before the computing. | |
| 7:0 | Block Length | 0x2 | Block length in words. | |

6.7.1.2 Common Firmware Parameters 1 - Offset 0x1

| Bits | Name | Default HW Mode | Description | Reserved |
|-------|-----------------------------|-----------------|---|----------|
| 15 | Enable Firmware Reset | | 0b = Firmware reset via HICR is disabled. 1b = Firmware reset via HICR is enabled. Setting this bit has no effect when in Flash secure mode. | |
| 14:13 | Sideband Interface | | 00b = SMBus. 01b = NC-SI. 10b = Reserved. 11b = MCTP over PCIe and SMBus. Relevant only if <i>Manageability Mode</i> is set to Pass Through mode (0x2). | |
| 12 | Restore MAC Address | | 0b = Do not restore MAC address at power on. 1b = Restore MAC address at power on. | |
| 11 | Reserved | 1b | Reserved. | |
| 10:8 | Manageability Mode | | 0x0 = None. 0x1 = Reserved. 0x2 = Pass Through (PT) mode. 0x7:0x3 = Reserved. | |
| 7:5 | Reserved | 111b | Reserved. | |
| 4 | LAN Force TCO Reset Disable | 1b | 0b = Enable Force TCO reset on the LAN. 1b = Disable Force TCO reset on the LAN. | |



| Bits | Name | Default HW Mode | Description | Reserved |
|------|------------------|-----------------|---|----------|
| 3 | Proxying Capable | 1b | 0b = Disable Protocol Offload. 1b = Enable Protocol Offload. | |
| 2 | OS2BMC Capable | | 0b = Disable. 1b = Enable. | |
| 1:0 | Reserved | 11b | Reserved. | |

6.7.1.3 Common Firmware Parameters 2 – Offset 0x2

| Bits | Name | Default HW Mode | Description | Reserved |
|-------|----------------------------|-----------------|---|----------|
| 15:12 | Reserved | | Reserved | |
| 11 | Multi-Drop NC-SI | 1b | Multi-Drop NC-SI Topology. 0b = Point-to-point. 1b = Multi-drop (default). When this bit is set, the NCSI_CRD_DV and NCSI_RXD[1:0] pins are High-Z following power-up; otherwise, the pins are driven. | |
| 10 | PARITY_ERR_RST_EN | 1b | When set, enables reset of management logic and generation of internal firmware reset as a result of parity error detected in management memories. | |
| 9 | Enable the PHY in D3 | 0b | 0b = The PHY/SERDES behavior in D3 depends on the MNG mode: In NC-SI mode - The PHY/SERDES can be deactivated in D3 if the MC has issued a clear initial state command. In SMBus mode - The PHY/SERDES will stay active in D3 when in this mode. 1b = The PHY/SERDES stays active in D3. | |
| 8:6 | Reserved | 111b | Reserved. | |
| 5:1 | Semaphore Backoff Interval | 0001b | Number of 10 ms ticks that firmware must wait before taking semaphore ownership again since it has released it. | Yes |
| 0 | LAN_FTCO_ISOL_DIS | 1b | LAN Force TCO Isolate Disable 1b = Disable. 0b = Enable. | |

6.7.2 Pass Through the LAN Configuration Modules (Global MNG Offsets 0x05)

- The following sections describe pointers and structures dedicated to pass-through mode.
- These sections must be mapped in the non-protected area to enable an IT manager to change it.
- These sections are available only in Legacy SMBus mode.



6.7.2.1 Section Header — Offset 0x0

| Bits | Name | Default HW Mode | Description | Reserved |
|------|--------------|-----------------|--|----------|
| 15:8 | Block CRC8 | | CRC8 is computed over the module, header included (for example, starting from word offset 0x0 included) where CRC8 field was zeroed before the computing. | |
| 7:0 | Block Length | | Block Length in Words In the initial image the size of this section must be zero, but enough space should be left to enable all filters to be set up (up to offset 0x84). Firmware ignores bigger sizes than that to avoid buffer overflow in case the software writes a value that is out of bounds. | |

6.7.2.2 LAN IPv4 Address 0 LSB; (MIPAF12 LSB) — Offset 0x01

This value is stored in the MIPAF[12] register (0x58E0). Refer to [Section 8.22.9](#) for a description of this register.

| Bits | Name | Default HW Mode | Description | Reserved |
|------|---------------------------|-----------------|-----------------------------|----------|
| 15:8 | LAN IPv4 Address 0 Byte 1 | | LAN IPv4 Address 0, Byte 1. | |
| 7:0 | LAN IPv4 Address 0 Byte 0 | | LAN IPv4 Address 0, Byte 0. | |

6.7.2.3 LAN IPv4 Address 0 MSB; (MIPAF12 MSB) — Offset 0x02

This value is stored in the MIPAF[12] register (0x58E0). Refer to [Section 8.22.9](#) for a description of this register.

| Bits | Name | Default HW Mode | Description | Reserved |
|------|---------------------------|-----------------|-----------------------------|----------|
| 15:8 | LAN IPv4 Address 0 Byte 3 | | LAN IPv4 Address 0, Byte 3. | |
| 7:0 | LAN IPv4 Address 0 Byte 2 | | LAN IPv4 Address 0, Byte 2. | |

6.7.2.4 LAN IPv4 Address 1; (MIPAF13) — Offset 0x03-0x04

Same structure as LAN IPv4 Address 0.

These values are stored in the MIPAF[13] register (0x58E4). Refer to [Section 8.22.9](#) for a description of this register.

6.7.2.5 LAN IPv4 Address 2; (MIPAF14) — Offset 0x05-0x06

Same structure as LAN IPv4 Address 0.

These values are stored in the MIPAF[14] register (0x58E8). Refer to [Section 8.22.9](#) for a description of this register.



6.7.2.6 LAN IPv4 Address 3; (MIPAF15) — Offset 0x07-0x08

Same structure as LAN IPv4 Address 0.

These values are stored in the MIPAF[15] register (0x58EC). Refer to [Section 8.22.9](#) for a description of this register.

Note: This value is ignored if *Enable ARP Response* in LRXEN1 is set ([Section 6.7.2.18](#)).

6.7.2.7 LAN Ethernet MAC Address 0 LSB (MMAL0) — Offset 0x09

This word is loaded by firmware to the 16 LS bits of the MMAL[0] register. Refer to [Section 8.22.10](#) for a description of the register.

| Bits | Name | Default HW Mode | Description | Reserved |
|------|------|-----------------|-------------------------------------|----------|
| 15:8 | | | LAN Ethernet MAC Address 0, Byte 1. | |
| 7:0 | | | LAN Ethernet MAC Address 0, Byte 0. | |

6.7.2.8 LAN Ethernet MAC Address 0 MID; (MMAL0) — Offset 0x0A

This word is loaded by firmware to the 16 MS bits of the MMAL[0] register.

| Bits | Name | Default HW Mode | Description | Reserved |
|------|------|-----------------|-------------------------------------|----------|
| 15:8 | | | LAN Ethernet MAC Address 0, Byte 3. | |
| 7:0 | | | LAN Ethernet MAC Address 0, Byte 2. | |

6.7.2.9 LAN Ethernet MAC Address 0 MSB; (MMAH0) — Offset 0x0B

This word is loaded by firmware to the MMAH[0] register.

| Bits | Name | Default HW Mode | Description | Reserved |
|------|------|-----------------|-------------------------------------|----------|
| 15:8 | | | LAN Ethernet MAC Address 0, Byte 5. | |
| 7:0 | | | LAN Ethernet MAC Address 0, Byte 4. | |

6.7.2.10 LAN Ethernet MAC Address 1; (MMAL/H1) — Offset 0x0C-0x0E

Same structure as LAN Ethernet MAC Address 0. Loaded to MMAL[1] and MMAH[1] registers.

6.7.2.11 LAN Ethernet MAC Address 2; (MMAL/H2) — Offset 0x0F-0x11

Same structure as LAN Ethernet MAC Address 0. Loaded to MMAL[2] and MMAH[2] registers.

6.7.2.12 LAN Ethernet MAC Address 3; (MMAL/H3) — Offset 0x12-0x14

Same structure as LAN Ethernet MAC Address 0. Loaded to MMAL[3] and MMAH[3] registers.



6.7.2.13 LAN UDP/TCP Flexible Filter Ports 0 – 15; (MFUTP Registers) – Offset 0x15 - 0x34

The words depicted in Table 6-6 are loaded by Firmware to the MFUTP registers. Refer to Section 8.22.2 for a description of the register.

Table 6-6. MFUTP Flash Words

| Offset | Bits | Description | Reserved |
|--------|------|--|----------|
| 0x15 | 15:0 | LAN UDP/TCP Flexible Filter Value Port0 | |
| 0x16 | 15:0 | LAN UDP/TCP Port0 Modifier - see the following table. | |
| 0x17 | 15:0 | LAN UDP/TCP Flexible Filter Value Port1 | |
| 0x18 | 15:0 | LAN UDP/TCP Port1 Modifier - see the following table. | |
| 0x19 | 15:0 | LAN UDP/TCP Flexible Filter Value Port2 | |
| 0x1A | 15:0 | LAN UDP/TCP Port2 Modifier - see the following table. | |
| 0x1B | 15:0 | LAN UDP/TCP Flexible Filter Value Port3 | |
| 0x1C | 15:0 | LAN UDP/TCP Port3 Modifier - see the following table. | |
| 0x1D | 15:0 | LAN UDP/TCP Flexible Filter Value Port4 | |
| 0x1E | 15:0 | LAN UDP/TCP Port4 Modifier - see the following table. | |
| 0x1F | 15:0 | LAN UDP/TCP Flexible Filter Value Port5 | |
| 0x20 | 15:0 | LAN UDP/TCP Port5 Modifier - see the following table. | |
| 0x21 | 15:0 | LAN UDP/TCP Flexible Filter Value Port6 | |
| 0x22 | 15:0 | LAN UDP/TCP Port6 Modifier - see the following table. | |
| 0x23 | 15:0 | LAN UDP/TCP Flexible Filter Value Port7 | |
| 0x24 | 15:0 | LAN UDP/TCP Port7 Modifier - see the following table. | |
| 0x25 | 15:0 | LAN UDP/TCP Flexible Filter Value Port8 | |
| 0x26 | 15:0 | LAN UDP/TCP Port8 Modifier - see the following table. | |
| 0x27 | 15:0 | LAN UDP/TCP Flexible Filter Value Port9 | |
| 0x28 | 15:0 | LAN UDP/TCP Port9 Modifier - see the following table. | |
| 0x29 | 15:0 | LAN UDP/TCP Flexible Filter Value Port10 | |
| 0x2A | 15:0 | LAN UDP/TCP Port10 Modifier - see the following table. | |
| 0x2B | 15:0 | LAN UDP/TCP Flexible Filter Value Port11 | |
| 0x2C | 15:0 | LAN UDP/TCP Port11 Modifier - see the following table. | |
| 0x2D | 15:0 | LAN UDP/TCP Flexible Filter Value Port12 | |
| 0x2E | 15:0 | LAN UDP/TCP Port12 Modifier - see the following table. | |
| 0x2F | 15:0 | LAN UDP/TCP Flexible Filter Value Port13 | |
| 0x30 | 15:0 | LAN UDP/TCP Port13 Modifier - see the following table. | |
| 0x31 | 15:0 | LAN UDP/TCP Flexible Filter Value Port14 | |
| 0x32 | 15:0 | LAN UDP/TCP Port14 Modifier - see the following table. | |
| 0x33 | 15:0 | LAN UDP/TCP Flexible Filter Value Port15 | |
| 0x34 | 15:0 | LAN UDP/TCP Port15 Modifier - see the following table. | |



This table lists the port modifiers bits:

| Bits | Name | Default HW Mode | Description | Reserved |
|------|--------------------|-----------------|---|----------|
| 0 | UDP | | Match if port is UDP. | |
| 1 | TCP | | Match if port is TCP. | |
| 2 | Source/Destination | | 0 = Compare destination port. 1 = Compare source port. | |
| 3:15 | Reserved | | Reserved. | |

6.7.2.14 LAN VLAN Filter 0 - 7; (MAVTV Registers) – Offset 0x35 – 0x3C

The words depicted in Table 6-6 are loaded by firmware to the MAVTV registers. Refer to Section 8.22.1 for a description of the register.

Table 6-7. MAVTV Flash Words

| Offset | Bits | Description | Reserved |
|--------|-------|--------------------------|----------|
| 0x35 | 15:12 | Reserved. | |
| 0x35 | 11:0 | LAN VLAN Filter 0 Value. | |
| 0x36 | 15:12 | Reserved. | |
| 0x36 | 11:0 | LAN VLAN Filter 1 Value. | |
| 0x37 | 15:12 | Reserved. | |
| 0x37 | 11:0 | LAN VLAN Filter 2 Value. | |
| 0x38 | 15:12 | Reserved. | |
| 0x38 | 11:0 | LAN VLAN Filter 3 Value. | |
| 0x39 | 15:12 | Reserved. | |
| 0x39 | 11:0 | LAN VLAN Filter 4 Value. | |
| 0x3A | 15:12 | Reserved. | |
| 0x3A | 11:0 | LAN VLAN Filter 5 Value. | |
| 0x3B | 15:12 | Reserved. | |
| 0x3B | 11:0 | LAN VLAN Filter 6 Value. | |
| 0x3C | 15:12 | Reserved. | |
| 0x3C | 11:0 | LAN VLAN Filter 7 Value. | |

6.7.2.15 Reserved Flash Words - Offset 0x3D and 0x3E

Flash words at offsets 0x3D to 0x3E are reserved.

6.7.2.16 LAN MANC Value LSB; (LMANC LSB) – Offset 0x3F

The value in this Flash word is stored in the LSB word of the MANC register. Refer to Section 8.22.5 for a description of this register.

| Bits | Name | Default HW Mode | Description | Reserved |
|------|----------|-----------------|-------------|----------|
| 15:0 | Reserved | 0x0 | Reserved. | |



6.7.2.17 LAN MANC Value MSB; (LMANC MSB) – Offset 0x40

The value in this Flash word is stored in the MSB word of the MANC register. Refer to [Section 8.22.5](#) for a description of this register.

| Bits | Name | Default HW Mode | Description | Reserved |
|-------|----------------|-----------------|--|----------|
| 15:11 | Reserved | | Reserved. | |
| 10 | NET_TYPE | 0b | NET TYPE: 0b = Pass only un-tagged packets. 1b = Pass only VLAN tagged packets. Valid only if <i>FIXED_NET_TYPE</i> is set. | |
| 9 | FIXED_NET_TYPE | 0b | Fixed Net Type If set, only packets matching the net type defined by the NET_TYPE field passes to manageability. Otherwise, both tagged and un-tagged packets can be forwarded to the manageability engine. | |
| 8 | EN_IPV4_FILTER | 0b | Enable IPv4 Address Filters When set, the last 128 bits of the MIPAF register are used to store 4 IPv4 addresses for IPv4 filtering. When cleared, these bits store a single IPv6 filter. | |
| 7 | EN_XSUM_FILTER | 0b | Enable Checksum Filtering to Manageability When this bit is set, only packets that pass L3, L4 checksum are sent to the MC. | |
| 6:0 | Reserved | | Reserved. Value should be 0b. | |

6.7.2.18 LAN Receive Enable 1; (LRXEN1) – Offset 0x41

| Bits | Name | Default HW Mode | Description | Reserved |
|------|-------------------------|-----------------|--|----------|
| 15:9 | Receive Enable byte 12 | | MC SMBus slave address. | |
| 8 | Reserved | | Reserved. | |
| 7 | Enable MC Dedicated MAC | | Enable MC Dedicated MAC 0b = Disable MC dedicated MAC. 1b = Enable MC dedicated MAC. | |
| 6 | Reserved | | Reserved Must be set to 1b. | |
| 5:4 | Notification method | | 00b = SMBus alert. 01b = Asynchronous notify. 10b = Direct receive. 11b = Reserved. | |
| 3 | Enable ARP Response | | Enable ARP Response 0b = Disable ARP response. 1b = Enable ARP response. | |
| 2 | Enable Status Reporting | | Enable Status Reporting 0b = Disable status reporting. 1b = Enable status reporting. | |
| 1 | Enable Receive All | | Enable Receive All 0b = Disable receive all. 1b = Enable receive all. | |
| 0 | Enable Receive TCO | | Enable Receive TCO 0b = Disable receive TCO. 1b = Enable receive TCO. | |



6.7.2.19 LAN Receive Enable 2; (LRXEN2) – Offset 0x42

| Bits | Name | Default HW Mode | Description | Reserved |
|------|------------------------|-----------------|-----------------|----------|
| 15:8 | Receive Enable byte 14 | 0x0 | Alert value. | |
| 7:0 | Receive Enable byte 13 | 0x0 | Interface data. | |

6.7.2.20 LAN MNGONLY LSB; (LMNGONLY LSB) - Offset 0x43

The value in this Flash word is stored in the LSB word of the MNGONLY register. Refer to [Section 8.22.6](#) for a description of this register.

| Bits | Name | Default HW Mode | Description | Reserved |
|------|------------------|-----------------|--|----------|
| 15:8 | Reserved | | | |
| 7:0 | Exclusive to MNG | | Exclusive to MNG When set, indicates that packets forwarded by the manageability filters to manageability are not sent to the host. Bits 0...7 correspond to decision rules defined in registers <i>MDEF</i> [0...7] and <i>MDEF_EXT</i> [0...7]. | |

6.7.2.21 LAN MNGONLY MSB; (LMNGONLY MSB) - Offset 0x44

The value in this Flash word is stored in the MSB word of the MNGONLY register. Refer to [Section 8.22.6](#) for a description of this register.

| Bits | Name | Default HW Mode | Description | Reserved |
|------|----------|-----------------|-------------|----------|
| 15:0 | Reserved | 0x0 | Reserved | |

6.7.2.22 Manageability Decision Filters 0 LSB; (MDEF0 LSB) - Offset 0x45

The value in this Flash word is stored in the LSB word of the MDEF[0] register. Refer to [Section 8.22.7](#) for a description of this register.

| Bits | Name | Default HW Mode | Description | Reserved |
|------|---------|-----------------|---|----------|
| 15:0 | MDEF0_L | | Loaded to 16 LS bits of MDEF[0] register. | |

6.7.2.23 Manageability Decision Filters 0 MSB; (MDEF0 MSB) - Offset 0x46

The value in this Flash word is stored in the MSB word of the MDEF[0] register. Refer to [Section 8.22.7](#) for a description of this register.

| Bits | Name | Default HW Mode | Description | Reserved |
|------|---------|-----------------|---|----------|
| 15:0 | MDEF0_M | | Loaded to 16 MS bits of MDEF[0] register. | |



6.7.2.24 Manageability Decision Filters Extend 0 LSB; (MDEF_EXT0 LSB) - Offset 0x47

The value in this Flash word is stored in the LSB word of the MDEF_EXT[0] register. Refer to [Section 8.22.8](#) for a description of this register.

| Bits | Name | Default HW Mode | Description | Reserved |
|------|------------|-----------------|---|----------|
| 15:0 | MDEFEXT0_L | | Loaded to 16 LS bits of MDEF_EXT[0] register. | |

6.7.2.25 Manageability Decision Filters Extend 0 MSB; (MDEF_EXT0 MSB) - Offset 0x48

The value in this Flash word is stored in the MSB word of the MDEF_EXT[0] register. Refer to [Section 8.22.8](#) for a description of this register.

| Bits | Name | Default HW Mode | Description | Reserved |
|------|------------|-----------------|---|----------|
| 15:0 | MDEF0EXT_M | | Loaded to 16 MS bits of MDEF_EXT[0] register. | |

6.7.2.26 Manageability Decision Filters; (MDEF1-6 and MDEF_EXT1-6) - Offset 0x49-0x60

Same as words 0x045...0x48 for MDEF[1] and MDEF_EXT[1]...MDEF[6] and MDEF_EXT[6]

6.7.2.27 Manageability Ethertype Filter 0 LSB; (METF0 LSB) - Offset 0x61

The value in this Flash word is stored in the LSB word of the METF[0] register. Refer to [Section 8.22.4](#) for a description of this register.

| Bits | Name | Default HW Mode | Description | Reserved |
|------|---------|-----------------|---|----------|
| 15:0 | METF0_L | | Loaded to 16 LS bits of METF[0] register. | |

6.7.2.28 Manageability Ethertype Filter 0 MSB; (METF0 MSB) - Offset 0x62

The value in this Flash word is stored in the MSB word of the METF[0] register. Refer to [Section 8.22.4](#) for a description of this register.

| Bits | Name | Default HW Mode | Description | Reserved |
|------|---------|-----------------|---|----------|
| 15:0 | METF0_M | | Loaded to 16 MS bits of METF[0] register (reserved bits in the METF registers should be set in the Flash to the register's default values). | |

6.7.2.29 Manageability Ethertype Filter 1...3; (METF1...3) - Offset 0x63...0x68

Same as words 0x61 and 0x62 for METF[1]...METF[3] registers.



6.7.2.30 ARP Response IPv4 Address 0 LSB; (ARP LSB) - Offset 0x69

Note: This value is overrides the value in LAN IPv4 Address 3 (Section 6.7.2.6) if Enable ARP Response in LRXEN1 is set (Section 6.7.2.18).

| Bits | Name | Default HW Mode | Description | Reserved |
|------|-------------------------------------|-----------------|---|----------|
| 15:0 | ARP Response IPv4 Address 0, Byte 1 | | ARP Response IPv4 Address 0, Byte 1 (firmware use). | |
| 7:0 | ARP Response IPv4 Address 0, Byte 0 | | ARP Response IPv4 Address 0, Byte 0 (firmware use). | |

6.7.2.31 ARP Response IPv4 Address 0 MSB; (ARP MSB) - Offset 0x6A

| Bits | Name | Default HW Mode | Description | Reserved |
|------|-------------------------------------|-----------------|---|----------|
| 15:8 | ARP Response IPv4 Address 0, Byte 3 | | ARP Response IPv4 Address 0, Byte 3 (firmware use). | |
| 7:0 | ARP Response IPv4 Address 0, Byte 2 | | ARP Response IPv4 Address 0, Byte 2 (firmware use). | |

6.7.2.32 LAN IPv6 Address 0 LSB; (MIPAF0 LSB) - Offset 0x6B

This value is stored in the MIPAF[0] register (0x58B0). Refer to Section 8.22.9 for a description of this register.

| Bits | Name | Default HW Mode | Description | Reserved |
|------|---------------------------|-----------------|----------------------------|----------|
| 15:8 | LAN IPv6 Address 0 Byte 1 | | LAN IPv6 Address 0 Byte 1. | |
| 7:0 | LAN IPv6 Address 0 Byte 0 | | LAN IPv6 Address 0 Byte 0. | |

6.7.2.33 LAN IPv6 Address 0 MSB; (MIPAF0 MSB) - Offset 0x6C

This value is stored in the MIPAF[0] register (0x58B0). Refer to Section 8.22.9 for a description of this register.

| Bits | Name | Default HW Mode | Description | Reserved |
|------|---------------------------|-----------------|----------------------------|----------|
| 15:8 | LAN IPv6 Address 0 Byte 3 | | LAN IPv6 Address 0 Byte 3. | |
| 7:0 | LAN IPv6 Address 0 Byte 2 | | LAN IPv6 Address 0 Byte 2. | |

6.7.2.34 LAN IPv6 Address 0 LSB; (MIPAF1 LSB)- Offset 0x6D

This value is stored in the MIPAF[1] register (0x58B4). Refer to Section 8.22.9 for a description of this register.



| Bits | Name | Default HW Mode | Description | Reserved |
|------|---------------------------|-----------------|----------------------------|----------|
| 15:8 | LAN IPv6 Address 0 Byte 5 | | LAN IPv6 Address 0 Byte 5. | |
| 7:0 | LAN IPv6 Address 0 Byte 4 | | LAN IPv6 Address 0 Byte 4. | |

6.7.2.35 LAN IPv6 Address 0 MSB; (MIPAF1 MSB) - Offset 0x6E

This value is stored in the MIPAF[1] register (0x58B4). Refer to [Section 8.22.9](#) for a description of this register.

| Bits | Name | Default HW Mode | Description | Reserved |
|------|---------------------------|-----------------|----------------------------|----------|
| 15:8 | LAN IPv6 Address 0 Byte 7 | | LAN IPv6 Address 0 Byte 7. | |
| 7:0 | LAN IPv6 Address 0 Byte 6 | | LAN IPv6 Address 0 Byte 6. | |

6.7.2.36 LAN IPv6 Address 0 LSB; (MIPAF2 LSB) - Offset 0x6F

This value is stored in the MIPAF[2] register (0x58B8). See [Section 8.22.9](#) for a description of this register.

| Bits | Name | Default HW Mode | Description | Reserved |
|------|---------------------------|-----------------|----------------------------|----------|
| 15:8 | LAN IPv6 Address 0 Byte 9 | | LAN IPv6 Address 0 Byte 9. | |
| 7:0 | LAN IPv6 Address 0 Byte 8 | | LAN IPv6 Address 0 Byte 8. | |

6.7.2.37 LAN IPv6 Address 0 MSB; (MIPAF2 MSB) - Offset 0x70

This value is stored in the MIPAF[2] register (0x58B8). Refer to [Section 8.22.9](#) for a description of this register.

| Bits | Name | Default HW Mode | Description | Reserved |
|------|----------------------------|-----------------|-----------------------------|----------|
| 15:8 | LAN IPv6 Address 0 Byte 11 | | LAN IPv6 Address 0 Byte 11. | |
| 7:0 | LAN IPv6 Address 0 Byte 10 | | LAN IPv6 Address 0 Byte 10. | |

6.7.2.38 LAN IPv6 Address 0 LSB; (MIPAF3 LSB) - Offset 0x71

This value is stored in the MIPAF[3] register (0x58BC). Refer to [Section 8.22.9](#) for a description of this register.

| Bits | Name | Default HW Mode | Description | Reserved |
|------|----------------------------|-----------------|----------------------------|----------|
| 15:8 | LAN IPv6 Address 0 Byte 13 | | LAN IPv6 Address 0 Byte 13 | |
| 7:0 | LAN IPv6 Address 0 Byte 12 | | LAN IPv6 Address 0 Byte 12 | |

**6.7.2.39 LAN IPv6 Address 0 MSB; (MIPAF3 MSB) - Offset 0x72**

This value is stored in the MIPAF[3] register (0x58BC). Refer to [Section 8.22.9](#) for a description of this register.

| Bits | Name | Default HW Mode | Description | Reserved |
|------|----------------------------|-----------------|-----------------------------|----------|
| 15:8 | LAN IPv6 Address 0 Byte 15 | | LAN IPv6 Address 0 Byte 15. | |
| 7:0 | LAN IPv6 Address 0 Byte 14 | | LAN IPv6 Address 0 Byte 14. | |

6.7.2.40 LAN IPv6 Address 1; MIPAF (Offset 0x73:0x7A)

Same structure as LAN IPv6 Address 0.

These values are stored in the MIPAF[7:4] registers (0x58C0 - 0x58CC).

6.7.2.41 LAN IPv6 Address 2; MIPAF (Offset 0x7B:0x82)

Same structure as LAN IPv6 Address 0.

These values are stored in the MIPAF[11:8] registers (0x58D0 - 0x58DC).

6.7.2.42 Manageability Special Filters Modifier - MSB; (MSFM - LSB) - Offset 0x83

The value in these Flash words are stored in the LSB part of the MSFM register. Refer to [Section 8.22.3](#) for a description of this register.

| Bits | Name | Default HW Mode | Description | Reserved |
|------|--------|-----------------|--|----------|
| 15:0 | MSFM_L | | Loaded to 16 MS bits of MSFM register (reserved bits in the MSFM registers should be set in the Flash to the register's default values). | |

6.7.2.43 Manageability Special Filters Modifier - LSB; (MSFM - MSB) - Offset 0x84

The value in these Flash words will be stored in the MSB part of the MSFM register. Refer to [Section 8.22.3](#) for a description of this register.

| Bits | Name | Default HW Mode | Description | Reserved |
|------|--------|-----------------|---|----------|
| 15:0 | MSFM_M | | Loaded to 16 MS bits of <i>MSFM</i> register (reserved bits in the MSFM registers should be set in the Flash to the register's default values). | |

6.7.3 Sideband Configuration Module (Global MNG Offset 0x06)

This module is pointed to by global offset 0x06 of the manageability control table.



6.7.3.1 Section Header — Offset 0x0

| Bits | Name | Default HW Mode | Description | Reserved |
|------|--------------|-----------------|---|----------|
| 15:8 | Block CRC8 | | CRC8 is computed over the module, header included (for example, starting from word offset 0x0 included) where CRC8 field was zeroed before the computing. | |
| 7:0 | Block Length | 0x15 | Section length in words. | |

6.7.3.2 SMBus Maximum Fragment Size — Offset 0x01

| Bits | Name | Default HW Mode | Description | Reserved |
|------|-------------------|-----------------|---|----------|
| 15:8 | Reserved | 0x00 | Reserved. | |
| 7:0 | Max Fragment Size | 0x20 | SMBus Maximum Fragment Size (bytes) Note: Value should be in the 32 to 240 byte range. In MCTP mode, this value should be set to 0x45 (64 bytes payload + 5 bytes of MCTP header). | |

6.7.3.3 SMBus Notification Timeout and Flags — Offset 0x02

| Bits | Name | Default HW Mode | Description | Reserved |
|------|---------------------------------|-----------------|---|----------|
| 15:8 | SMBus Notification Timeout (ms) | 0xFF | SMBus Notification Timeout Timeout value in milliseconds from notification to completion of packet read by the external MC. When completion of read exceeds the specified time packet is discarded. Note: A value 0x0, no discard. | |
| 7:6 | SMBus Connection Speed | 00b | 00b = Standard SMBus connection (100 KHz). 01b = 400 KHz connection 10b = 1 MHz connection 11b = Reserved | |
| 5 | SMBus Block Read Command | 0b | 0b = Block read command is 0xC0. 1b = Block read command is 0xD0. | |
| 4 | Reserved | 1b | Reserved. | |
| 3 | Enable fairness arbitration | 1b | 0b = Disable fairness arbitration. 1b = Enable fairness arbitration. | |
| 2 | Disable SMBus ARP Functionality | 1b | Disable SMBus ARP Functionality 0b = Enable SMBus ARP Functionality. 1b = Disable SMBus ARP Functionality. | |
| 1 | SMBus ARP PEC | 1b | SMBus ARP PEC 0b = Disable SMBus ARP PEC. 1b = Enable SMBus ARP PEC. | |
| 0 | SMBusTransactionsPEC | 0b | SMBus TransactionsPEC 0b = Disable SMBus PEC for regular master SMBus transactions and do not expect PEC in slave accesses. 1b = Enable SMBus PEC for regular master SMBus transactions and check PEC in slave accesses. Should be set in MCTP modes only. | |



6.7.3.4 SMBus Slave Addresses — Offset 0x03

| Bits | Name | Default HW Mode | Description | Reserved |
|------|-----------------------|-----------------|------------------------|----------|
| 15:8 | Reserved | 0b | Reserved. | |
| 7:1 | SMBus 0 Slave Address | 0x49 | SMBus 0 slave address. | |
| 0 | Reserved | 0b | Reserved. | |

6.7.3.5 Reserved — Offset 0x04

| Bits | Name | Default HW Mode | Description | Reserved |
|------|----------|-----------------|-------------|----------|
| 15:0 | Reserved | 0x0 | Reserved. | |

6.7.3.6 Reserved — Offset 0x05

| Bits | Name | Default HW Mode | Description | Reserved |
|------|----------|-----------------|-------------|----------|
| 15:0 | Reserved | 0x0 | Reserved. | |

6.7.3.7 NC-SI Configuration 1 - Offset 0x06

| Bits | Name | Default HW Mode | Description | Reserved |
|-------|------------------------------|-----------------|--|----------|
| 15:11 | Reserved | | Reserved. | |
| 10 | Flow Control | 0b | 0b = NC-SI flow control disable. 1b = NC-SI flow control enable. | |
| 9 | NC-SI HW Arbitration Support | 0b | NC-SI HW Arbitration Support 0b = NC-SI HW arbitration not supported. 1b = NC-SI HW arbitration supported. Note: If the <i>NC-SI ARB Enable</i> bit (bit 11) in the Functions Control Flash word is set to 1b and NC-SI hardware arbitration is not supported in the Firmware Flash bit then NC-SI hardware arbitration logic operates in bypass mode and the I210 is allowed to transmit through the NC-SI interface anytime. | |
| 8 | Reserved | | Reserved. | No |
| 7:5 | Package ID | 0b | Package ID. | |
| 4:0 | Reserved | 0x0 | Reserved, must be 0. | |



6.7.3.8 NC-SI Configuration 2 - Offset 0x07

| Bits | Name | Default HW Mode | Description | Reserved |
|------|-------------------------------|-----------------|--|----------|
| 15 | Read NCSI Package ID from SDP | 0b | 0b = Read from Flash. 1b = Read from SDP. | |
| 14:4 | Reserved | | Reserved. | |
| 3:0 | Max XOFF Renewal | 0x0 | NC-SI Flow Control MAX XOFF Renewal (# of XOFF renewals allowed). 0x0 = Disabled. Unlimited number of XOFF frames can be sent. 0x1 = Up to 2 consecutive XOFFs frames can be sent by the I210. 0x2 = Up to 3 consecutive XOFFs frames can be sent by the I210. ... 0xF = Up to 0x10 consecutive XOFFs frames can be sent by the I210. | |

6.7.3.9 NC-SI Hardware Arbitration Configuration - Offset 0x08

| Bits | Name | Default HW Mode | Description | Reserved |
|------|---------------|-----------------|--|----------|
| 15:0 | Token Timeout | 0xFFFF | NC-SI HW-Arbitration TOKEN Timeout (in 16 ns cycles). In order to get the value in NC-SI REF_CLK cycles, this field should be multiplied by 4/5. Notes: 1. Setting value to 0x0 disables the timeout mechanism. 2. The timeout must be no fewer than 32,000 REF_CLK cycles (for example, the value of the field should be greater or equal to 0x9C40). | |

6.7.3.10 MCTP UUID - Time Low LSB (Offset 0x09)

The value stored in the MCTP UUID register should indicate the creation date of the image or an earlier arbitrary date.

| Bits | Name | Default HW Mode | Description | Reserved |
|------|--------------|-----------------|---|----------|
| 15:0 | Time Low LSB | | Byte 0 & 1 of UUID as defined in DSP0236. | |

6.7.3.11 MCTP UUID - Time Low MSB (Offset 0x0A)

| Bits | Name | Default HW Mode | Description | Reserved |
|------|--------------|-----------------|---|----------|
| 15:0 | Time Low MSB | | Byte 2 & 3 of UUID as defined in DSP0236. | |

6.7.3.12 MCTP UUID - Time MID (Offset 0x0B)

| Bits | Name | Default HW Mode | Description | Reserved |
|------|----------|-----------------|---|----------|
| 15:0 | Time Mid | | Byte 4 & 5 of UUID as defined in DSP0236. | |



6.7.3.13 MCTP UUID - Time High and Version (Offset 0x0C)

| Bits | Name | Default HW Mode | Description | Reserved |
|------|-----------------------|-----------------|---|----------|
| 15:0 | Time High and Version | | Byte 7 & 8 of UUID as defined in DSP0236. | |

6.7.3.14 MCTP UUID - Clock Seq (Offset 0x0D)

| Bits | Name | Default HW Mode | Description | Reserved |
|------|------------------------|-----------------|--|----------|
| 15:0 | Clock Seq and Reserved | | Byte 9 & 10 of UUID as defined in DSP0236. | |

6.7.3.15 MCTP UUID - Node (Offset 0x0E-0x10)

| Bits | Name | Default HW Mode | Description | Reserved |
|------|------|-----------------|---|----------|
| 15:0 | Node | | Should contain the same value as the factory station MAC address. | |

6.7.3.16 OEM IANA (Offset 0x11)

| Bits | Name | Default HW Mode | Description | Reserved |
|------|-----------------|-----------------|---|----------|
| 15:0 | OEM IANA Number | 0x0 | If not zero and not 0x157, the I210 accepts additional OEM commands with this IANA number. These commands are accepted only if the OEM Flash Structure Pointer (Section 6.7) is valid. The set of commands accepted depends on the IANA value in this field. The regular Intel OEM commands are accepted only with IANA 0x157. | |

6.7.3.17 NC-SI Over MCTP Message Types (Offset 0x12)

| Bits | Name | Default HW Mode | Description | Reserved |
|------|--------------------------------|-----------------|---|----------|
| 15:8 | NC-SI Command Packet Type | 0x2 | Defines the MCTP packet type used to identify NC-SI control packets. Note: The most significant bit is the IC bit and should be set to zero. | No |
| 7:0 | NC-SI Pass Through Packet Type | 0x3 | Defines the MCTP packet type used to identify NC-SI pass through packets. Note: The most significant bit is the IC bit and should be set to zero. | No |



6.7.3.18 NC-SI Over MCTP Configuration (Offset 0x13)

| Bits | Name | Default HW Mode | Description | Reserved |
|------|-----------------|-----------------|--|----------|
| 15:7 | Reserved | 0x0 | Reserved. | No |
| 6 | Simplified MCTP | 0x0 | If set, only SOM and EOM bits are used for the re-assembly process. Relevant only in SMBus mode. | No |
| 5:0 | Reserved | | Reserved. | |

6.7.3.19 MCTP Rate Limiter Config 1 (Offset 0x14)

| Bits | Name | Default HW Mode | Description | Reserved |
|------|-----------|-----------------|---|----------|
| 15:0 | MCTP Rate | 0x9C40 | Defines the number of cycles between accesses of the MCTP send client to the memory arbiter. This value provides a bit rate of 200 Kb/s. | No |

6.7.3.20 MCTP Rate Limiter Config 2 (Offset 0x15)

| Bits | Name | Default HW Mode | Description | Reserved |
|------|------------------|-----------------|--|----------|
| 15 | Decision Point | 1b | Defines if, when credits are available, a full MCTP message is sent or a single VDM is sent. 0b = Full packet. 1b = single VDM. | No |
| 14:9 | Reserved | 0x0 | Reserved | No |
| 8:0 | MCTP Max Credits | 0x78 | Defines the maximum number of 16 bytes credit that can be accumulated in the MCTP rate limiter. These credits include the VDM header line (one line for each 64 byte VDM). The default represents a full Ethernet packet. | Yes |

6.7.4 Flexible TCO Filter Configuration Module (Global MNG Offset 0x07)

This module is pointed to by global offset 0x07 of the manageability control section.

6.7.4.1 Section Header — Offset 0x0

| Bits | Name | Default HW Mode | Description | Reserved |
|------|--------------|-----------------|---|----------|
| 15:8 | Block CRC8 | | CRC8 is computed over the module, header included (for example, starting from word offset 0x0 included) where CRC8 field was zeroed before the computing. | |
| 7:0 | Block Length | | Section length in words. | |



6.7.4.2 Flexible Filter Length and Control — Offset 0x01

| Bits | Name | Default HW Mode | Description | Reserved |
|------|--------------------------------|-----------------|---|----------|
| 15:8 | Flexible Filter Length (Bytes) | | Flexible filter length in bytes. | |
| 7 | Reserved | | Reserved. | |
| 6 | Reserved | | Reserved. | |
| 5 | Reserved | | Reserved. | |
| 4 | Last Filter | 1b | Last filter. | |
| 3:2 | Filter Index (0) | 0x0 | Filter index. | |
| 1 | Reserved | | Reserved. | |
| 0 | Apply Filter to LAN | | Apply Filter to the LAN. 0b = Do not apply flex filter. 1b = Apply flex filter. | |

6.7.4.3 Flexible Filter Enable Mask — Offset 0x02 – 0x09

| Bits | Name | Default HW Mode | Description | Reserved |
|------|-----------------------------|-----------------|--|----------|
| 15:0 | Flexible Filter Enable Mask | | Flexible Filter Enable Mask Up to 128 Flex filter mask bits for Bytes defined in the Flexible Filter Data | |

6.7.4.4 Flexible Filter Data — Offset 0x0A – Block Length

| Bits | Name | Default HW Mode | Description | Reserved |
|------|----------------------|-----------------|--|----------|
| 15:0 | Flexible Filter Data | | Flexible Filter Data Up to 128 bytes of data starting at offset 0x0A. | |

Note: This section loads all flexible filters. The control + mask + filter data are repeatable as the number of filters. Section length in offset 0 is for all filters.

6.7.5 Reserved (Global MNG Offset 0x09)

This module is pointed to by the global offset 0x09 pointer in the Firmware Module Header table (Table 6-5). A pointer with a value of 0xFFFF means the section is reserved.

6.7.6 NC-SI Configuration Module (Global MNG Offset 0x0A)

This module is pointed to by global offset 0x0A of the manageability control table.



6.7.6.1 Section Header — Offset 0x0

| Bits | Name | Default HW Mode | Description | Reserved |
|------|--------------|-----------------|--------------------------|----------|
| 15:8 | Block CRC8 | | | |
| 7:0 | Block Length | 0x9 | Section length in words. | |

6.7.6.2 Rx Mode Control1 (RR_CTRL[15:0]) - Offset 0x1

| Bits | Name | Default HW Mode | Description | Reserved |
|------|-----------------------|-----------------|---|----------|
| 15:2 | Reserved | | Reserved. Should be set to 0x0. | |
| 1 | CRC Strip Enable | | When set, CRC field is stripped from incoming NC-SI packets. | Yes |
| 0 | NC-SI Loopback Enable | | When set, enables NC-SI Tx to Rx loop. All data that is transmitted from NC-SI is returned to it. No data is actually transmitted from NC-SI. | |

6.7.6.3 Rx Mode Control2 (RR_CTRL[31:16]) - Offset 0x2

| Bits | Name | Default HW Mode | Description | Reserved |
|------|----------|-----------------|---------------------------------|----------|
| 15:0 | Reserved | | Reserved. Should be set to 0x0. | |

6.7.6.4 Tx Mode Control1 (RT_CTRL[15:0]) - Offset 0x3

| Bits | Name | Default HW Mode | Description | Reserved |
|------|----------|-----------------|---------------------------------|----------|
| 15:0 | Reserved | | Reserved. Should be set to 0x0. | |

6.7.6.5 Tx Mode Control2 (RT_CTRL[31:16]) - Offset 0x4

| Bits | Name | Default HW Mode | Description | Reserved |
|------|----------|-----------------|---------------------------------|----------|
| 15:0 | Reserved | | Reserved. Should be set to 0x0. | |

6.7.6.6 MAC Tx Control Reg1 (TxCtrlReg1 (15:0]) - Offset 0x5

| Bits | Name | Default HW Mode | Description | Reserved |
|------|----------|-----------------|---------------------------------|----------|
| 15:0 | Reserved | | Reserved. Should be set to 0x0. | |



6.7.6.7 MAC Tx Control Reg2 (TxCtrlReg1 (31:16]) - Offset 0x6

| Bits | Name | Default HW Mode | Description | Reserved |
|------|----------|-----------------|---------------------------------|----------|
| 15:0 | Reserved | | Reserved. Should be set to 0x0. | |

6.7.6.8 Reserved - Offset 0x7

| Bits | Name | Default HW Mode | Description | Reserved |
|------|----------|-----------------|---------------------------------|----------|
| 15:0 | Reserved | | Reserved. Should be set to 0x0. | |

6.7.6.9 NC-SI Flow Control XOFF - Offset 0x8

| Bits | Name | Default HW Mode | Description | Reserved |
|------|----------------|-----------------|--|----------|
| 15:0 | XOFF Threshold | | <p>Tx buffer watermark for sending a XOFF NC-SI flow control packet in bytes. The <i>XOFF Threshold</i> value refers to the occupied space in the buffer.</p> <p>Notes:</p> <ol style="list-style-type: none"> Field relevant for NC-SI operation mode only. To support a maximum packet size of 1.5 KB, the value programmed should be: <ul style="list-style-type: none"> Tx buffer size (refer to Section 6.7.6.8) - 3,400 bytes. <ol style="list-style-type: none"> When Tx buffer size is 6 KB value of field should be 0xAB8 (2,744 bytes). | |

6.7.6.10 NC-SI Flow Control XON - Offset 0x9

| Bits | Name | Default HW Mode | Description | Reserved |
|------|---------------|-----------------|--|----------|
| 15:0 | XON Threshold | | <p>Tx buffer water mark for sending a XON NC-SI flow control packet in bytes. The <i>XON Threshold</i> value refers to the available space in the TX buffer.</p> <p>Notes:</p> <ol style="list-style-type: none"> Field relevant for NC-SI operation mode only. To support maximum packet size of 1.5 KB, the value programmed should be a positive value that equals: <ul style="list-style-type: none"> <i>TX Buffer size</i> (refer to Section 6.7.6.8) - <i>XOFF Threshold</i> (refer to Section 6.7.6.9) + 1536 bytes. <ol style="list-style-type: none"> When the <i>TX Buffer size</i> is 6 KB and the <i>XOFF Threshold</i> is 2,744 bytes value of field should be 0x1348 (4,936 bytes). | |



6.7.7 Traffic Type Parameters – (Global MNG Offset 0xB)

6.7.7.1 Section Header – Offset 0x0

| Bits | Name | Default HW Mode | Description | Reserved |
|------|--------------|-----------------|--------------------------|----------|
| 15:8 | Block CRC8 | | | |
| 7:0 | Block Length | 0x1 | Section length in words. | |

6.7.7.2 Traffic Type Data - Offset 0x1

| Bits | Name | Default HW Mode | Description | Reserved |
|------|---------------|-----------------|---|----------|
| 15:2 | Reserved | | Reserved | |
| 1:0 | Traffic Types | | 00b = Reserved. 01b = Network to MC traffic only allowed. 10b = OS2BMC traffic only allowed. 11b = Both Network to MC traffic and OS2BMC traffic allowed. Notes: <ol style="list-style-type: none"> The traffic types defined by this field are enabled by the <i>Manageability Mode</i> field and the <i>OS2BMC Capable</i> bit in the <i>Common Firmware Parameters 1</i> Flash word (refer to Section 6.7.1.2). Field loaded to <i>MANC.EN_BMC2NET</i> bit and <i>MANC.EN_BMC2OS</i> bit (refer to Section 8.22.5). | |

6.7.8 PHY Configuration Pointer – (Global MNG Offset 0xF)

| Bit | Name | Description |
|------|---------|--|
| 15:0 | Pointer | Pointer to PHY configuration structure. Refer to Section 6.7.8.1 for details of the structure. A value of 0xFFFF means the pointer is invalid. |

6.7.8.1 PHY Configuration Structure

This section describes the PHY auto configuration structure used to configure PHY related circuitry. The programming in this section is made of PHY registers address/data items. Each item includes bits that define:

- The PHY interface to be used - external/internal, register set, pins
- The loading event - PHY reset or POR only

The PHY Configuration Pointer (Global MNG Offset 0xF) points to the start (offset 0x0) of this type of structure to configure PHY registers (internal and external PHYs). If pointer is 0xFFFF then no structure exists.

When the FW has completed the configuration, it is required to move back the PHY interface mode to the default loaded from Flash in order to avoid an impact on SW driver.



Table 6-8. PHY Auto Configuration Structure Format

| Offset | High Byte[15:8] | Low Byte[7:0] | Section |
|---------|---|---------------|-------------------|
| 0x0 | Section length = 2*n (n – number of registers to configure) | | Section 6.7.8.1.1 |
| 0x1 | Block CRC8. | | Section 6.7.8.1.2 |
| 0x2 | PHY number and PHY register address. | | Section 6.7.8.1.3 |
| 0x3 | PHY data (MDIC[15:0] or I2CCMD[15:0]). | | Section 6.7.8.1.4 |
| | ... | | |
| 2*n | PHY number and PHY register address | | Section 6.7.8.1.3 |
| 2*n + 1 | PHY data (MDIC[15:0] or I2CCMD[15:0]) | | Section 6.7.8.1.4 |

6.7.8.1.1 PHY Configuration Section Length - Offset 0x0

The section length word contains the length of the section in words. Note that section length count does not include the section length word and Block CRC8 word.

| Bits | Name | Default HW Mode | Description |
|------|----------------|-----------------|--------------------------|
| 15 | Reserved | | |
| 14:0 | Section_length | | Section length in words. |

6.7.8.1.2 Block CRC8 (Offset 0x1)

| Bit | Name | Description |
|------|----------|--|
| 15:8 | Reserved | |
| 7:0 | CRC8 | CRC8 is computed over the module, header excluded (for example, starting from word offset 0x2 included). |

6.7.8.1.3 PHY Number and PHY Register Address - (Offset 2*n; [n = 1... Section Length])

| Bits | Name | Default HW Mode | Description |
|-------|-----------------------|-----------------|---|
| 15:14 | Transaction Interface | 00b | Defines the PHY interface to be used for the transaction: 00b - Internal PHY, via MDIC register 01b - External PHY over I2C pins, via MDIC register 10b - External PHY over I2C pins, via I2CCMD register 11b - Reserved |
| 13:9 | Reserved | 0x0 | Reserved |
| 8 | Loading Event | 0b | Defines the loading event: 0b - PHY resets (including POR). 1b - POR only. This mode is not effective for internal copper PHY settings as a PHY reset event occurs anyway after boot time. |
| 7:0 | PHY Register Address | | PHY register address to which the data is written. See Section 8.2.4 and Section 8.17.8 for information on the MDIC and I2CCMD registers, respectively. Note: 5 LSB bits define the register address when access is via the MDIC register. |



6.7.8.1.4 PHY Data (Offset 2*n + 1; [n = 1... Section Length])

| Bits | Name | Default HW Mode | Description |
|------|----------|-----------------|---|
| 15:0 | Reg_Data | | MDIC[15:0]/I2CCMD[15:0] value (data). See Section 8.2.4 and Section 8.17.8 for information MDIC and I2CCMD registers, respectively. |

6.7.9 SVR Control Pointer – (Global MNG Offset 0x10)

| Bit | Name | Description |
|------|---------|--|
| 15:0 | Pointer | Pointer to SVR/LVR control configuration structure. Refer to Section 6.7.9.1 for details of the structure. A value of 0xFFFF means the pointer is invalid. |

6.7.9.1 SVR/LVR Control Configuration Structure

This section describes the PHY auto configuration structure used to configure SVR/LVR control related circuitry. The programming in this section is applied after power-up.

The SVR/LVR control Configuration Pointer (Global MNG Offset 0x10) points to the start (offset 0x0) of this type of structure, to configure SVR/LVR Control registers. If pointer is 0xFFFF then no structure exists.

| Offset | High Byte[15:8] | Low Byte[7:0] | Section |
|---------|--|---------------|-----------------------------------|
| 0x0 | Section Length = 2*n (n – number of registers to configure). | | Section 6.7.9.1.1 |
| 0x1 | Block CRC8. | | Section 6.7.9.1.2 |
| 0x2 | SVR/LVR Control register address. | | Section 6.7.9.1.3 |
| 0x3 | SVR/LVR Control data. | | Section 6.7.9.1.4 |
| | ... | | |
| 2*n | SVR/LVR Control register address. | | Section 6.7.9.1.3 |
| 2*n + 1 | SVR/LVR Control data. | | Section 6.7.9.1.4 |

6.7.9.1.1 SVR/LVR Control Configuration Section Length - Offset 0x0

The section length word contains the length of the section in words. Note that section length count does not include the section length word and Block CRC8 word.

| Bits | Name | Default HW Mode | Description |
|------|----------------|-----------------|--------------------------|
| 15 | Reserved | | |
| 14:0 | Section_length | | Section length in words. |

6.7.9.1.2 Block CRC8 (Offset 0x1)



| Bit | Name | Description |
|------|----------|--|
| 15:8 | Reserved | |
| 7:0 | CRC8 | CRC8 is computed over the module, header excluded (for example, starting from word offset 0x2 included). |

6.7.9.1.3 SVR/LVR Control Register Address - (Offset 2*n; [n = 1... Section Length])

| Bits | Name | Default HW Mode | Description |
|------|----------------------------------|-----------------|--|
| 15:5 | Reserved | 0x0 | Reserved |
| 4:0 | SVR/LVR Control Register Address | | SVR/LVR Control register address to which the data is written. |

6.7.9.1.4 SVR/LVR Control Data (Offset 2*n + 1; [n = 1... Section Length])

| Bits | Name | Default HW Mode | Description |
|------|----------|-----------------|--------------------------------|
| 15:0 | Reg_Data | | SVR/LVR Control register data. |

6.8 Software Accessed Words

Words 0x03 to 0x07 in the Flash image are reserved for compatibility information. New bits within these fields are defined as the need arises for determining software compatibility between various hardware revisions.

Words 0x8 and 0x09 are used to indicate the Printed Board Assembly (PBA) number and words 0x42 and 0x43 identifies the Flash iNVM image.

Words 0x30 to 0x3E have been reserved for configuration and version values to be used by PXE code. The only exceptions are words 0x36 and 0x3D, which are used for the iSCSI boot configuration and word 0x37 which is used as a pointer to the Alternate MAC address.

6.8.1 Compatibility (Word 0x03)

| Bit | Description |
|-------|---|
| 15:13 | Reserved (set to 000b). |
| 12 | IT part - Bit is set to 1b on Industrial Temperature SKU. |
| 11 | This bit indicates whether the NVM attached to the LAN silicon contains a dedicated area for storing Option ROM firmware (sometimes also called a "Boot ROM"). This bit is used by Option ROM software update utilities and other applications to decide whether or not to allow updating the Option ROM firmware as well as whether or not to allow enabling/disabling the Option ROM by means of the PCI Expansion ROM Base Address Register (BAR). 0b = NIC (Attached Flash has an area for storing Option ROM firmware). 1b = LOM (Attached Flash does not have an area for storing Option ROM firmware). |



| Bit | Description |
|-----|--|
| 10 | Reserved. |
| 9 | Client/not a Client NIC. This bit is used by DMIX to verify the NIC is server or client. A team is required to have server NIC or LOM. 0b = Server. 1b = Client. |
| 8:0 | Reserved (set to 00b). |

6.8.2 Port Identification LED Blinking (Word 0x04)

Default Flash setting for this word must be 0x0911.

| Bit | Description |
|-------|---|
| 15:12 | Reserved. |
| 11:8 | Control for LED 2 0001b = Default in STATE1 + Default in STATE2. 0010b = Default in STATE1 + LED is ON in STATE2. 0011b = Default in STATE1 + LED is OFF in STATE2. 0100b = LED is ON in STATE1 + Default in STATE2. 0101b = LED is ON in STATE1 + LED is ON in STATE2. 0110b = LED is ON in STATE1 + LED is OFF in STATE2. 0111b = LED is OFF in STATE1 + Default in STATE2. 1000b = LED is OFF in STATE1 + LED is ON in STATE2. 1001b = LED is OFF in STATE1 + LED is OFF in STATE2. |
| 7:4 | Control for LED 1 – same encoding as for LED2. |
| 3:0 | Control for LED 0 – same encoding as for LED2. |

6.8.3 Flash Map Revision (Word 0x05)

This word is valid only for device starter images and indicates the version of the Flash map.

| Bit | Description |
|-------|--------------------------------|
| 15:12 | Flash major version (decimal). |
| 11:8 | 0x0 (for the decimal point) |
| 7:0 | Flash minor version (decimal). |

6.8.4 OEM Specific (Words 0x06, 0x07)

These words are available for OEM use.

6.8.5 PBA Number (Words 0x08, 0x09)

The nine-digit Printed Board Assembly (PBA) number used for Intel manufactured Network Interface Cards (NICs) is stored in the FlashiNVM.

Note that through the course of hardware ECOs, the suffix field is incremented. The purpose of this information is to enable customer support (or any user) to identify the revision level of a product.

Network driver software should not rely on this field to identify the product or its capabilities.



Current PBA numbers have exceeded the length that can be stored as hex values in these two words. For these PBA numbers the high word is a flag (0xFAFA) indicating that the PBA is stored in a separate PBA block. The low word is a pointer to a PBA block.

| PBA Number | Word 0x08 | Word 0x09 |
|------------|-----------|----------------------|
| G23456-003 | FAFA | Pointer to PBA Block |

The PBA block is pointed to by word 0x09.

| Word Offset | Description | Reserved |
|-------------|---|----------|
| 0x0 | Length in words of the PBA block (default 0x6). | |
| 0x1... 0x5 | PBA number stored in hexadecimal ASCII values. | |

The PBA block contains the complete PBA number including the dash and the first digit of the 3-digit suffix. For example:

| PBA Number | Word Offset 0 | Word Offset 1 | Word Offset 2 | Word Offset 3 | Word Offset 4 | Word Offset 5 |
|------------|---------------|---------------|---------------|---------------|---------------|---------------|
| G23456-003 | 0006 | 4732 | 3334 | 3536 | 2D30 | 3033 |

Note: For Flash images that are not for Intel manufactured Network Interface Cards (NICs) word 0x8 holds the version of the Flash image. The same word format is used as for the Flash map version in word 0x05.

6.8.6 PXE Configuration Words (Words 0x30:3B)

PXE configuration is controlled by the following words.

6.8.6.1 Setup Options PCIe Function 0 (Word 0x30)

The main setup options are stored in word 0x30. These options are those that can be changed by the user via the Control-S setup menu. Word 0x30 has the following format:

| Bit(s) | Name | Function |
|--------|------|---|
| 15:13 | RFU | Reserved. Must be 0x0. |
| 12:10 | FSD | Bits 12-10 control forcing speed and duplex during driver operation. 000b = Auto-negotiate. 001b = 10 Mb/s half duplex. 010b = 100 Mb/s half duplex. 011b = Not valid (treated as 000b). 100b = Not valid (treated as 000b). 101b = 10 Mb/s full duplex. 110b = 100 Mb/s full duplex. 111b = 1000 Mb/s full duplex. Default value is 000b. |
| 9 | RFU | Reserved. Must be 0b. |
| 8 | DSM | Display Setup Message If the bit is set to 1b, the "Press Control-S" message is displayed after the title message. Default value is 1b. |



| Bit(s) | Name | Function |
|--------|--------------------------|--|
| 7:6 | PT | <p>Prompt Time</p> <p>These bits control how long the CTRL-S setup prompt message is displayed, if enabled by DIM.</p> <p>00b = 2 seconds (default).</p> <p>01b = 3 seconds.</p> <p>10b = 5 seconds.</p> <p>11b = 0 seconds.</p> <p>Note: CTRL-S message is not displayed if 0 seconds prompt time is selected.</p> |
| 5 | Disable iSCSI Setup Menu | <p>This controls the iSCSI init message (Ctrl+D menu prompt) when iSCSI is disabled.</p> <ul style="list-style-type: none"> When iSCSI option ROM is disabled and this bit is set to 1b, the init message is not displayed for the port. When iSCSI option ROM is disabled and this bit is set to 0b, the init message is displayed for the port. When iSCSI option ROM is enabled this bit does not matter, as the init message is displayed for the port. <p>The default is 0b.</p> |
| 4:3 | DBS | <p>Default Boot Selection</p> <p>These bits select which device is the default boot device. These bits are only used if the agent detects that the BIOS does not support boot order selection or if the MODE field of word 0x31 is set to MODE_LEGACY.</p> <p>00b = Network boot, then local boot (default).</p> <p>01b = Local boot, then network boot.</p> <p>10b = Network boot only.</p> <p>11b = Local boot only.</p> |
| 2:0 | PS | <p>Protocol Select.</p> <p>See Table 6-9 for details of this field.</p> |

6.8.6.2 Configuration Customization Options PCIe Function (Word 0x31)

Word 0x31 of the Flash contains settings that can be programmed by an OEM or network administrator to customize the operation of the software. These settings cannot be changed from within the Control-S setup menu. The lower byte contains settings that would typically be configured by a network administrator using an external utility; these settings generally control which setup menu options are changeable. The upper byte is generally settings that would be used by an OEM to control the operation of the agent in a LOM environment, although there is nothing in the agent to prevent their use on a NIC implementation. The default value for this word is 0x4000.

| Bit(s) | Name | Function |
|--------|-------|---|
| 15:14 | SIG | Signature. Must be set to 01b to indicate that this word has been programmed by the agent or other configuration software. |
| 13 | RFU | Reserved. Must be 0b. |
| 12 | RFU | Reserved. Must be 0b. |
| 11 | RETRY | <p>Selects Continuous Retry operation.</p> <p>If this bit is set, IBA does NOT transfer control back to the BIOS if it fails to boot due to a network error (such as failure to receive DHCP replies). Instead, it restarts the PXE boot process again. If this bit is set, the only way to cancel PXE boot is for the user to press ESC on the keyboard. Retry is not attempted due to hardware conditions such as an invalid Flash checksum or failing to establish link.</p> <p>Default value is 0b.</p> |



| Bit(s) | Name | Function |
|--------|------|---|
| 10:8 | MODE | <p>Selects the agent's boot order setup mode.</p> <p>This field changes the agent's default behavior in order to make it compatible with systems that do not completely support the BBS and PnP Expansion ROM standards. Valid values and their meanings are:</p> <p>000b = Normal behavior. The agent attempts to detect BBS and PnP Expansion ROM support as it normally does.</p> <p>001b = Force Legacy mode. The agent does not attempt to detect BBS or PnP Expansion ROM supports in the BIOS and assumes the BIOS is not compliant. The user can change the BIOS boot order in the Setup Menu.</p> <p>010b = Force BBS mode. The agent assumes the BIOS is BBS-compliant, even though it might not be detected as such by the agent's detection code. The user CANNOT change the BIOS boot order in the Setup Menu.</p> <p>011b = Force PnP Int18 mode. The agent assumes the BIOS enables boot order setup for PnP Expansion ROMs and hooks interrupt 0x18 (to inform the BIOS that the agent is a bootable device) in addition to registering as a BBS IPL device. The user CANNOT change the BIOS boot order in the Setup Menu.</p> <p>100b = Force PnP Int19 mode. The agent assumes the BIOS enables boot order setup for PnP Expansion ROMs and hooks interrupt 0x19 (to inform the BIOS that the agent is a bootable device) in addition to registering as a BBS IPL device. The user CANNOT change the BIOS boot order in the Setup Menu.</p> <p>101b = Reserved for future use. If specified, is treated as a value of 000b.</p> <p>110b = Reserved for future use. If specified, is treated as a value of 000b.</p> <p>111b = Reserved for future use. If specified, is treated as a value of 000b.</p> |
| 7 | RFU | Reserved. Must be 0b. |
| 6 | RFU | Reserved. Must be 0b. |
| 5 | DFU | <p>Disable Flash Update</p> <p>If this bit is set to 1b, the user is not allowed to update the Flash image using PROSet. Default value is 0b.</p> |
| 4 | DLWS | <p>Disable Legacy Wakeup Support</p> <p>If this bit is set to 1b, the user is not allowed to change the Legacy OS Wakeup Support menu option. Default value is 0b.</p> |
| 3 | DBS | <p>Disable Boot Selection</p> <p>If this bit is set to 1b, the user is not allowed to change the boot order menu option. Default value is 0b.</p> |
| 2 | DPS | <p>Disable Protocol Select. If set to 1b, the user is not allowed to change the boot protocol. Default value is 0b.</p> |
| 1 | DTM | <p>Disable Title Message</p> <p>If this bit is set to 1b, the title message displaying the version of the Boot Agent is suppressed; the Control-S message is also suppressed. This is for OEMs who do not wish the boot agent to display any messages at system boot. Default value is 0b.</p> |
| 0 | DSM | <p>Disable Setup Menu.</p> <p>If this bit is set to 1b, the user is not allowed to invoke the Setup menu by pressing Control-S. In this case, the Flash might only be changed via an external program. Default value is 0b.</p> |

6.8.6.3 PXE Version (Word 0x32)

Word 0x32 of the Flash is used to store the version of the boot agent that is stored in the Flash image. When the Boot Agent loads, it can check this value to determine if any first-time configuration needs to be performed. The agent then updates this word with its version. Some diagnostic tools also read this word to report the version of the PXE Boot Agent in the Flash.

The format of this word is:

| Bit(s) | Name | Function |
|--------|------|-------------------------------|
| 15:12 | MAJ | PXE Boot Agent Major Version. |
| 11:8 | MIN | PXE Boot Agent Minor Version. |
| 7:0 | BLD | PXE Boot Agent Build Number. |



6.8.6.4 Option ROM Capabilities (Word 0x33)

Word 0x33 of the Flash is used to enumerate the boot technologies that have been programmed into the Flash. This is updated by Flash configuration tools and is not updated or read by IBA.

| Bit(s) | Name | Function |
|--------|-------|--|
| 15:14 | SIG | Signature. Must be set to 01b to indicate that this word has been programmed by the agent or other configuration software. |
| 13:5 | RFU | Reserved. Must be 0b. |
| 4 | ISCSI | iSCSI boot is present in Flash if set to 1b. |
| 3 | UEFI | UEFI UNDI driver is present in Flash if set to 1b. |
| 2 | RPL | Reserved. Must be 0b. |
| 1 | UNDI | PXE UNDI driver is present in Flash if set to 1b. |
| 0 | BC | PXE base code is present in Flash if set to 1b. |

6.8.6.5 PXE VLAN Configuration Pointer (0x003C)

| Bits | Name | Default | Description |
|------|--------------------------------|---------|---|
| 15:0 | PXE VLAN Configuration Pointer | 0x0 | The pointer contains offset of the first Flash word of the PXE VLAN config block. |

6.8.6.5.1 PXE VLAN Configuration Section

| Word Offset | Word Name | Description |
|-------------|----------------------|--|
| 0x0000 | VLAN Block Signature | ASCII 'V', 'L'. |
| 0x0001 | Version and Size | Contains version and size of structure. |
| 0x0002 | VLAN Tag | VLAN tag value for the I210. Contains PCP, CFI and VID fields. A value of 0 means no VLAN is configured for this port. |

6.8.6.5.1.1 VLAN Block Signature - 0x0000

| Bits | Field Name | Default | Description |
|------|----------------------|---------|-----------------|
| 15:0 | VLAN Block Signature | 0x4C56 | ASCII 'V', 'L'. |



6.8.6.5.1.2 Version and Size - 0x0001

| Bits | Field Name | Default | Description |
|------|------------|---------|--|
| 15:8 | Size | 0x06 | Total size in bytes of section. |
| 7:0 | Version | 0x01 | Version of this structure. Should be set to 0x1. |

6.8.6.5.1.3 VLAN Tag - 0x0002

| Bits | Field Name | Default | Description |
|-------|-------------------|---------|-------------------|
| 15:13 | Priority (0-7) | 0x0 | Priority 0-7. |
| 12 | Reserved | 0x0 | Always 0. |
| 11:0 | VLAN ID (1- 4095) | 0x0 | VLAN ID (1-4095). |

6.8.7 iSCSI Boot Words

6.8.7.1 iSCSI Option ROM Version (Word 0x36)

Word 0x36 is used to store the version of the iSCSI Boot option ROM if present. Values below 0x2000 are reserved and should not be used. This word can be modified by Flash update utilities.

6.8.7.2 iSCSI Boot Configuration Pointer (Word 0x3D)

| Bit | Name | Description |
|------|---------------|---|
| 15:0 | iSCSI Address | iSCSI Configuration Block Flash Offset Offset of iSCSI configuration block from the start of the Flash, expressed in words. If set to 0x0000 or 0xFFFF there is no Flash configuration data available for the iSCSI adapter. In this case, configuration data must be provided by the BIOS through the SM CLP interface. |

6.8.7.2.1 iSCSI Module Structure

The following table lists the layout of the iSCSI boot configuration block stored in Flash. Flash word 0x3D previously described stores the offset within the Flash of the configuration block. Software must first read word 0x3D to determine the offset of the configuration table before attempting to read or write the configuration block.

The following defined strings are stored in UTF-8 encoding and NULL terminated. All data words are stored in little-endian (Intel) byte order.



| Configuration Item | Offset (Bytes) | Size in Bytes | Comments |
|--|----------------|---------------|--|
| Boot Signature | 0x1:0x0 | 2 | 0x5369 ('i', 'S') |
| Block Size | 0x3:0x2 | 2 | The structure size is stored in this field and is set depending on the amount of free Flash space available. The total size of this structure, including variable length fields, must fit within this space. 0x0384 - single port. |
| Structure Version | 0x4 | 1 | Version of this structure. Should be set to one. |
| Reserved | 0x5 | 1 | Reserved for future use, should be set to zero. |
| iSCSI Initiator Name | 0x105:0x6 | 255 + 1 | iSCSI Initiator Name This field is optional and can also be built by DHCP. |
| Reserved | 0x127:0x106 | 34 | Reserved for future use, should be set to zero. |
| The following fields are for the port | | | |
| iSCSI Flags | 0x129:0x128 | 2 | Bit 0 ⇨ Enable DHCP: 0 = Use static configurations from this structure. 1 = Overrides configurations retrieved from DHCP. Bit 01h ⇨ Enable DHCP for getting iSCSI target information: 0 = Use static target configuration 1 = Use DHCP to get target information. Bit 0x02:0x03 ⇨ Authentication Type: 00 = None. 01 = One way chap. 02 = Mutual chap. Bit 0x04:0x05 ⇨ Ctrl-D setup menu: 00 = enabled. 03 = disabled. Bit 0x06:0x07 ⇨ Reserved. Bit 0x08:0x09 ⇨ ARP Retries. Retry value: Bit 0x0A:0x0F ⇨ ARP Timeout. Timeout value for each retry. |
| iSCSI Initiator IP | 0x12D:0x12A | 4 | DHCP flag not set ⇨ This field should contain the configured IP address. DHCP flag set ⇨ If DHCP bit is set this field is ignored. |
| Initiator Subnet Mask | 0x131:0x12E | 4 | DHCP flag not set ⇨ This field should contain the configured subnet mask. DHCP flag set ⇨ If DHCP bit is set this field is ignored. |
| Initiator Gateway IP | 0x135:0x132 | 4 | DHCP flag not set ⇨ This field should contain the configured gateway DHCP flag set ⇨ If DHCP bit is set this field is ignored. |
| iSCSI Boot LUN | 0x137:0x136 | 2 | DHCP flag not set ⇨ Target LUN that Initiator will be attached to. DHCP flag set ⇨ If DHCP bit is set this field is ignored. |
| iSCSI Target IP | 0x13B:0x138 | 4 | DHCP flag not set ⇨ IP address of iSCSI target. DHCP flag set ⇨ If DHCP bit is set this field is ignored. |
| iSCSI Target Port | 0x13D:0x13C | 2 | DHCP flag not set ⇨ IP port of iSCSI target. Default is 3260. DHCP flag set ⇨ If DHCP bit is set this field is ignored |
| iSCSI Target Name | 0x23D:0x13E | 255 + 1 | DHCP flag set ⇨ If DHCP bit is set this field is ignored |
| CHAP Password | 0x24F:0x23E | 16 + 2 | The minimum CHAP secret must be 12 octets and maximum CHAP secret size is 16. 1 byte is reserved for alignment padding and 1 byte for null. |
| CHAP User Name | 0x2CF:0x250 | 127 + 1 | The user name must be non-null value and maximum size of user name allowed is 127 characters. |
| Vlan ID | 0x2D1:0x2D0 | 2 | Vlan Id to be used for iSCSI boot traffic. a valid Vlan ID is between 1 and 4094 |



| Configuration Item | Offset (Bytes) | Size in Bytes | Comments |
|----------------------|----------------|---------------|--|
| Mutual CHAP Password | 0x2E3:0x2D2 | 16 + 2 | The minimum mutual CHAP secret must be 12 octets and maximum CHAP secret size is 16. 1 byte is reserved for alignment padding and 1 byte for null. |
| Reserved | 0x323:0x2E4 | 64 | Reserved for FCoE - not relevant in the I210 - should be set to zero. |
| Reserved | 0x383:0x324 | 96 | Reserved for future use, should be set to zero. |

6.8.8 Alternate MAC Address Pointer (Word 0x37)

This word can point to a location in the Flash containing additional MAC addresses used by system management functions. If the additional MAC addresses are not supported, the word must be set to 0xFFFF. The structure of the alternate MAC address block can be found in [Table 6-9](#).

Table 6-9. Alternate MAC Address Block

| Word Offset | Description ¹ |
|-------------|--|
| 0x0...0x2 | Alternate MAC Address for the LAN port |
| 0x3...0xB | Reserved |

1. An alternate MAC Address value of 0xFFFF-FFFF-FFFF means that no alternate MAC address is present for the port.

6.8.9 Checksum Word (Word 0x3F)

The checksum words (Offset 0x3F from start of the Common, LAN 1, LAN 2 and LAN 3 sections) are used to ensure that the base Flash image is a valid image. The value of this word should be calculated such that after adding all the words (0x00:0x3F), including the checksum word itself, the sum should be 0xBABA. The initial value in the 16-bit summing register should be 0x0000 and the carry bit should be ignored after each addition.

Notes: Hardware does not calculate the checksum word during Flash write; it must be calculated by software independently and included in the Flash write data. Hardware does not compute a checksum over words 0x00:0x3F during Flash reads in order to determine validity of the Flash image; this field is provided strictly for software verification of Flash validity. All hardware configurations based on word 0x00:0x3F content is based on the validity of the *Signature* field of the Flash Sizing & Protected Fields Flash word (*Signature* must be 01b). However, firmware is required to recompute and update the checksum word whenever it restores the MAC address. Refer to [Section 4.5.11](#).

6.8.10 Image Unique ID (Words 0x42, 0x43)

These words contain a unique 32-bit ID for each image generated by Intel to enable tracking of images and comparison to the original image if testing a customer Flash iNVM image.

6.8.11 mDNS Records Area Offset (Word 0x25)

This word contains the offset to the Flash area provisioned for the storage of the mDNS records.

The offset is relative to the beginning of the secured firmware image. It is expressed in a 4 KB sector index, which is indicated by setting to 1b the word's most significant bit. The offset must be programmed in such a way that the mDNS records be mapped next to the FW image. For instance, if the FW image area is provisioned up to 448 KB, the default value is 0x8070.



This word is an indication to the host driver, which is not expected to modify its content unless a FW image update occurred.

6.8.12 mDNS Records Area Size (Word 0x26)

This word contains the size in KB units of the Flash area provisioned for the storage of mDNS records. Recommended default is 16 KB.

This word is an indication to the host driver, which is not expected to modify its content even if less space is required.

6.9 Firmware Secured Module Pointer (Word 0x10)

This section describes the format of the firmware secured module that contains the authenticated firmware image (the firmware code). It is pointed from word 0x10 and it is expressed in 4 KB Flash sector units. The Flash area provisioned to this module must be equal to the size of the Free Provisioned Area (244 KB in first Flash images produced, and then 448 KB in the future if the FW code grows beyond 235 KB). It is also referred as the Flash secured area. The free area segment is provisioned to update this module via a double bank policy, refer to [Section 3.3.9.2](#). The free provisioning area is pointed by word 0x40. The size of the area is expressed in 4 KB units and is listed in word 0x41. It should not be modified by software.

The firmware secured module includes a header and a trailer that enclose the firmware code.

6.9.1 Header of the Firmware Secured Module

In [Table 6-10](#), fields colored in cyan are protected by the authentication signature.

Table 6-10. Header and Body of the Firmware Secured Module

| Number of Words | Field or Segment Name | Description and Comments |
|-----------------|------------------------------|--|
| 128 | RSA Public Key | Refer to Section 3.3.10 . This field is skipped for the sake of SHA256 Hash computing. |
| 2 | RSA Exponent | Refer to Section 3.3.10 . This field is skipped for the sake of SHA256 Hash computing. |
| 128 | Encrypted SHA256 Hash | Refer to Section 3.3.10 . This field is skipped for the sake of SHA256 Hash computing. |
| 1 | I210 Blank Flash Device ID | A unique Intel-provided device ID that identifies the I210 among other Intel GbE controllers. It must be set to 0x1531 in the I210, which is the blank Flash Device ID used by the tools. |
| 2 | Max Module Area | It is the maximum Flash area expressed in words that can be used by the module. It is set to 122 KWords or 224 KWords (i.e. 244 KB or 448 KB). |
| 2 | Current Module Area | It is the Flash area expressed in words that is currently used by the module. Since a trailer has been added to the module, this field contains always the same value than the max module area. |
| 1 | Module Format Version + CRC8 | Bit 15 = CRC8 field is used. Set to 1b if a CRC8 is computed over the module, set to 0b otherwise. Bits 14:8 = Module format version. Set to 0x02 is this currently defined format is used. Bits 7:0 = CRC8 value computed over the parent module only. CRC8 field is itself zeroed for the sake of CRC8 computing or when no CRC8 is computed (when bit 15 is set to 0b). |



Table 6-10. Header and Body of the Firmware Secured Module (Continued)

| Number of Words | Field or Segment Name | Description and Comments |
|--|------------------------|---|
| 1 | Firmware Code Revision | Bits 15:8 = Major revision number. Bits 7:0 = Minor revision number. |
| 1 | Reserved Spare Word | Must be zeroed. |
| 2 | Parent Module Length | Length of the parent module contents expressed in words, module header and <i>Parent Module Length</i> field excluded. It excludes all the descendant modules. It must be set to N. Modules read by firmware are NOT size limited to 128 KB. It excludes the last two 4 KB sectors of the firmware secured module which are reserved for the Flash devices table and the RO Updates sections. |
| N | parent word 1 | Format of the contents of firmware modules is specific to each module. |
| | parent word 2 | |
| | ... | |
| | parent word N | |
| Remaining words, up to 225 K - N - 332 - 4 K | <i>Padding words</i> | Filled with all 1s, which corresponds to the Flash sector contents left unwritten after a sector erase operation. |



6.9.2 Trailer of the Firmware Secured Module

In Table 6-11, fields colored in cyan are protected by the authentication signature.

The last two 4 KB sectors of the firmware secured module have the following format:

Table 6-11. Trailer Format

| Number of Words | Field or Segment Name | Description and Comments |
|-----------------|-----------------------------|--|
| 1 | Flash Devices Table Version | Default is 0xFFFF, which means the sector is empty and the remaining words are discarded and filled with all 1s. |
| 1 | I210 Blank Flash Device ID | A unique Intel-provided device ID that identifies the I210 among other Intel GbE controllers. It must be set to 0x1531 in the I210, which is the blank Flash Device ID used by the Tools. |
| 1 | Minimum FW Code Revision | Minimum FW Code Revision number required for being able to parse the RO Updates section. It must be lower or equal to the Firmware Code Revision number read from the module Header listed in Table 6-10. |
| 1 | Number of Flash Devices | Number of Flash Devices (P) described by repeating the 8 words Flash device description item, starting from next word. |
| 8 | Flash Device Item 1 word 1 | Format of the Flash Device Item words is described in Section 6.9.2.1. |
| | Flash Device Item 1 word 2 | |
| | Flash Device Item 1 word 3 | |
| | Flash Device Item 1 word 4 | |
| | Flash Device Item 1 word 5 | |
| | Flash Device Item 1 word 6 | |
| | Flash Device Item 1 word 7 | |
| | Flash Device Item 1 word 8 | |
| | ... | |
| 8 | Flash Device Item P word 1 | Format of the Flash Device Item words is described in Section 6.9.2.1. |
| | Flash Device Item P word 2 | |
| | Flash Device Item P word 3 | |
| | Flash Device Item P word 4 | |
| | Flash Device Item P word 5 | |
| | Flash Device Item P word 6 | |
| | Flash Device Item P word 7 | |
| | Flash Device Item P word 8 | |
| 2 K - 8 x P - 4 | Padding words | Filled with all 1s, which corresponds to the Flash sector contents left unwritten after a sector erase operation. |
| 1 | RO Updates Version | Default is 0xFFFF, which means the sector is empty and the remaining words are discarded and filled with all 1s. A null field here indicates that the next words up to the 4 KB sector's end contain the new Shadow RAM contents, starting from word 0x000 up to word 0x7F78 included. |
| 1 | Device ID | A unique Intel-provided device ID that identifies the I210 among other Intel GbE controllers. It must be set to 0x1531 in the I210. |



Table 6-11. Trailer Format (Continued)

| Number of Words | Field or Segment Name | Description and Comments |
|-----------------|--------------------------|---|
| 1 | Minimum FW Code Revision | Minimum firmware code revision number required for being able to parse the RO updates section. It must be lower or equal to the Firmware Code Revision number read from the module Header listed in Table 6-10. |
| 1 | RO Updates Length | Number of RO updates words (M), starting from next word. A null field here indicates that the next words up to the 4 KB sector's end contain the new shadow RAM contents, starting from word 0x000 up to word 0x7F78 included. Shadow RAM words 0x7F7 to 0x7FF are not replaced (they must be left unused, all 1s). |
| M | RO Updates word 1 | Format of the RO updates is described in Section 6.9.2.2. In case RO Updates Version and Length fields have a null contents, all the remaining words contains the new contents for up to the first 2040 words of the Shadow RAM. In this case M = 2040. |
| | RO Updates word 2 | |
| | ... | |
| | RO Updates word M | |
| 2 K - M - 8 | Padding words | Filled with all 1s, which corresponds to the Flash sector contents left unwritten after a sector erase operation. |

6.9.2.1 Format of the Flash Device Items

| Flash Device Item | Description | Default Settings |
|-------------------|---|--|
| Word 1 | JEDEC_ID[15:0] | 0xFFFF |
| Word 2 | 0x00, JEDEC_ID[23:16] | 0x00, 0xFF |
| Word 3 | FLASHMODE[15:0] | 0x0013: <ul style="list-style-type: none"> FAST_READ_MODE = 1 NUM_OF_DUMMY = 1 FLASH_SPEED = 62.5 MHz SUSPEND_SUPPORT = 0 SST_MODE = 0 |
| Word 4 | Bit 16: Unprotected flash after reset, FLASHMODE[30:16] | 0x8000: <ul style="list-style-type: none"> Unprotected flash = 1 |
| Word 5 | FLASHOP[15:0] | 0x75C7: <ul style="list-style-type: none"> FLASHERASEOP = 0xC7 SUSPENDOP = 0x75 |
| Word 6 | FLASHOP[31:16] | 0x0B7A: <ul style="list-style-type: none"> RESUMEOP = 0x7A FASTREADOP = 0x0B |
| Word 7 | FLASHTIME[15:0] | 0x0008: <ul style="list-style-type: none"> CSDESELECT = 56ns |
| Word 8 | FLASHTIME[31:16] | 0x00FF: <ul style="list-style-type: none"> HOLDTIME = 4us |

The last entry with JEDEC_ID = 0xFFFF is used to define the default setting in case the JEDEC_ID is not found in the list (or when the JEDEC_ID of the flash part is longer than 24-bits).

Note: Default settings can alternatively be taken by Flash word 0x11, if bit 8 is set to 1b.



6.9.2.2 Format of the RO Updates

The RO Updates words can contains the following 3 structures:

1. Shadow RAM Word Write Command (2 words)
2. CSR Write Command (4 words)
3. Shadow RAM contents, from word 0x0 to 0x7F8 included

The first two structures start with a Type field. [Table 6-12](#) lists the supported values for the Type field.

Table 6-12. Supported Type Fields

| Type | Description |
|-------|--|
| 001b | Word autoload. |
| 010b | CSR autoload. |
| Other | Invalid type, parsing is stopped here. |

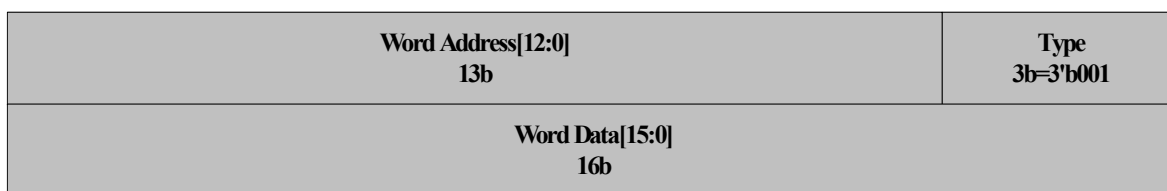


Figure 6-1. Shadow RAM Word Write Command

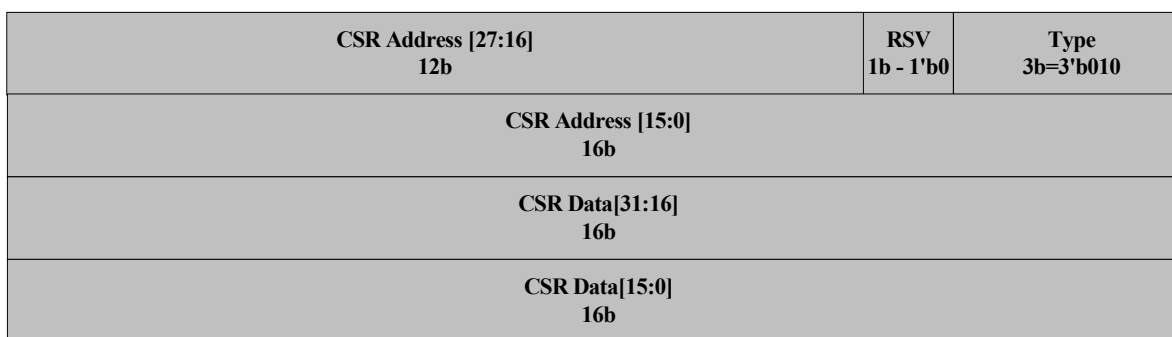


Figure 6-1 CSR Write Command



Note: This page intentionally left blank.



7.0 Inline Functions

7.1 Receive Functionality

Typically, packet reception consists of recognizing the presence of a packet on the wire, performing address filtering, storing the packet in the receive data FIFO, transferring the data to one of the 4 receive queues in host memory, and updating the state of a receive descriptor.

A received packet goes through two stages of filtering.

The first step in queue assignment is to verify that the packet is destined to the port. This is done by a set of L2 filters as described in [Section 7.1.3](#).

In the second stage, a received packet that successfully passed the Rx filters is associated with one or more receive descriptor queues as described in [Section 7.1.1](#).

7.1.1 L2 Packet Filtering

The receive packet filtering role is to determine which of the incoming packets are allowed to pass to the local system and which of the incoming packets should be dropped since they are not targeted to the local system. Received packets can be destined to the host, to a Manageability Controller (MC), or to both. This section describes how host filtering is done, and the interaction with management filtering.

As shown in [Figure 7-1](#), host filtering has three stages:

1. Packets are filtered by L2 filters (MAC address, unicast/multicast/broadcast). See [Section 7.1.1.1](#) for details.
2. Packets are then filtered by VLAN if a VLAN tag is present. See [Section 7.1.1.2](#) for details.
3. Packets are filtered by the manageability filters (IP, flex, other). See [Section 10.3.3](#) for details.

A packet is not forwarded to the host if any of the following takes place:

1. The packet does not pass MAC address filters as described later in this section.
2. The packet does not pass VLAN filtering as described later in this section.
3. The packet passes manageability filtering and then the manageability filters determine that the packet should be sent only to the MC (see [Section 10.3](#) and the *MNGONLY* register).

A packet that passes receive filtering as previously described might still be dropped due to other reasons. Normally, only good packets are received. These are defined as those packets with no Under Size Error, Over Size Error (see [Section 7.1.1.4](#)), Packet Error, Length Error and CRC Error are detected. However, if the *store-bad-packet* bit is set (*RCTL.SBP*), then bad packets that pass the filter function are stored in host memory. Packet errors are indicated by error bits in the receive descriptor (*RDESC.ERRORS*). It is possible to receive all packets, regardless of whether they are bad, by setting the promiscuous enabled (Unicast and Multicast) and the *store-bad-packet* bits in the *RCTL* register.

If there is insufficient space in the receive FIFO, hardware drops the packet and indicates the missed packet in the appropriate statistics registers.

When the packet is routed to a queue with the *SRRCTL.Drop_En* bit set to 1b, receive packets are dropped when insufficient receive descriptors exist to write the packet into system memory.

Note: CRC errors before the SFD are ignored. Any packet must have a valid SFD in order to be recognized by the I210 (even bad packets).

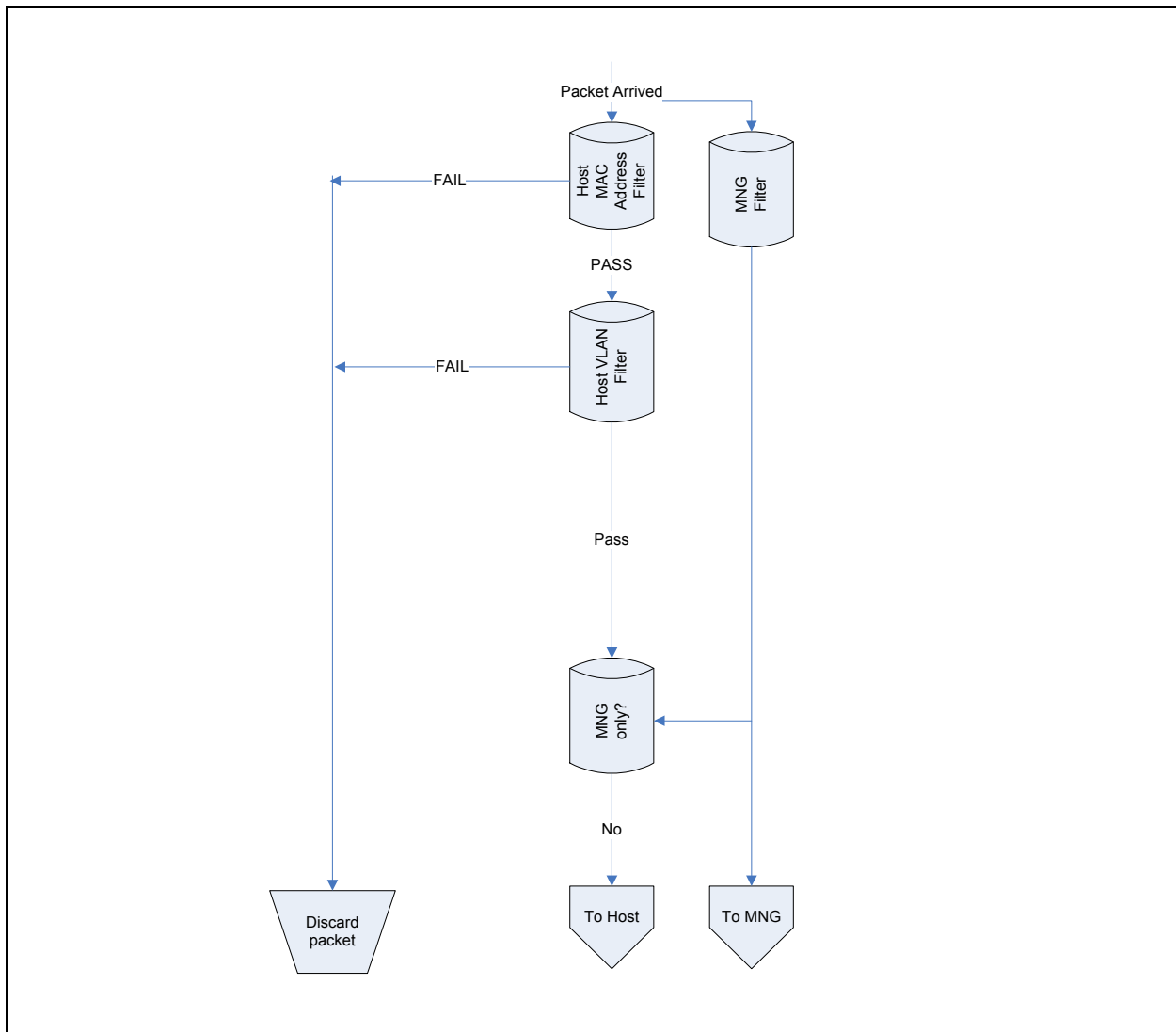


Figure 7-1. I210 Receive Filtering Flow Chart



7.1.1.1 MAC Address Filtering

Figure 7-2 shows the MAC address filtering. A packet passes successfully through the MAC address filtering if any of the following conditions are met:

1. It is a unicast packet and promiscuous unicast filtering is enabled.
2. It is a multicast packet and promiscuous multicast filtering is enabled.
3. It is a unicast packet and it matches one of the unicast MAC filters.
4. It is a multicast packet and it matches one of the multicast filters.
5. It is a broadcast packet and Broadcast Accept Mode (*RCTL.BAM*) is enabled.

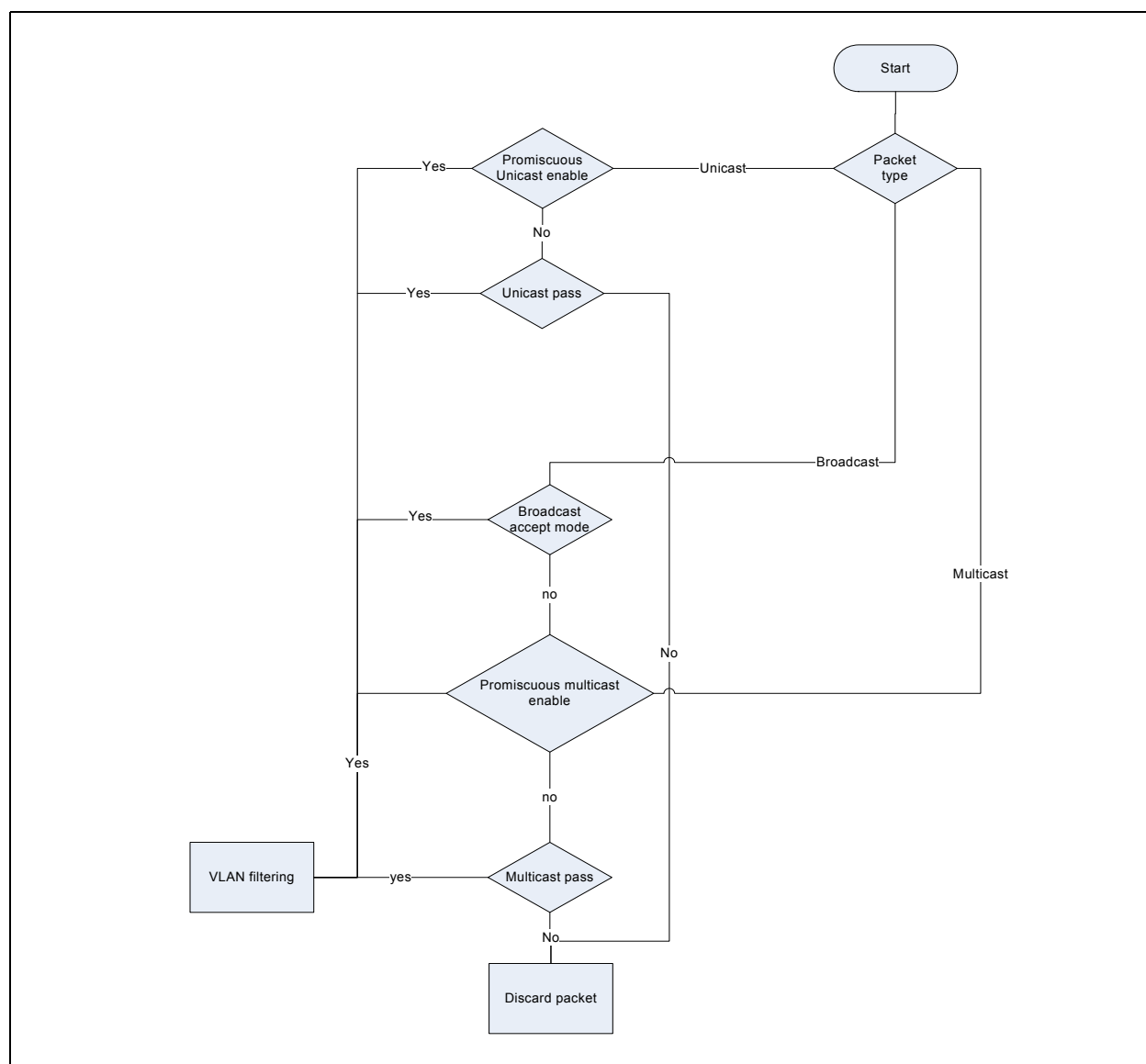


Figure 7-2. Host MAC Address Receive Filtering Flow Chart



7.1.1.1.1 Unicast Filter

The entire MAC address is checked against the 16 host unicast addresses. The 16 host unicast addresses are controlled by the host interface (the MC must not change them). The other 4 addresses are dedicated to management functions and are only accessed by the MC. The destination address of an incoming packet must exactly match one of the pre-configured host address filters. These addresses can be unicast or multicast. Those filters are configured through *RAL*, and *RAH* registers.

Promiscuous Unicast — Receive all unicasts. Promiscuous unicast mode in the *RCTL* register can be set/cleared only through the host interface (not by the MC). This mode is usually used when the I210 is used as a sniffer.

7.1.1.1.2 Multicast Filter (Inexact)

A 12-bit portion of incoming packet multicast address must exactly match Multicast Filter Address (MFA) in order to pass multicast filtering. This means that 12 bits out of 48 bits of the destination address are used and can be selected by the *MO* field of *RCTL* (Section 8.10.1). The 12 bits extracted from the Multicast Destination address are used as an address for a bit in the Multicast Table Array (MTA). If the value of the bit selected in the MTA table is 1b, the packet is sent to the host (See Section 8.10.15). These entries can be configured only by the host interface and cannot be controlled by the MC. Packets received according to this mode have the *PIF* bit in the descriptor set to indicate imperfect filtering that should be validated by the software device driver.

Promiscuous Multicast — Receive all multicast. Promiscuous multicast mode can be set/cleared in the *RCTL* register only through the host interface (not by the MC) and it is usually used when the I210 is used as a sniffer.

Note: When the promiscuous bit is set and a multicast packet is received, the *PIF* bit of the packet status is not set.

7.1.1.2 VLAN Filtering

A receive packet that successfully passed MAC address filtering is then subjected to VLAN header filtering.

1. If the packet does not have a VLAN header, it passes to the next filtering stage.

Note: If external VLAN is enabled (*CTRL_EXT.EXT_VLAN* is set), it is assumed that the first VLAN tag is an external VLAN and it is skipped. All next stages refer to the second VLAN.

2. If VLAN filtering is disabled (*RCTL.VFE* bit is cleared), the packet is forwarded to the next filtering stage.
3. If the packet has a VLAN header, and it matches an enabled host VLAN filter (relevant bit in *VFTA* table is set), the packet is forwarded to the next filtering stage.
4. Otherwise, the packet is dropped.

Figure 7-3 shows the VLAN filtering flow.

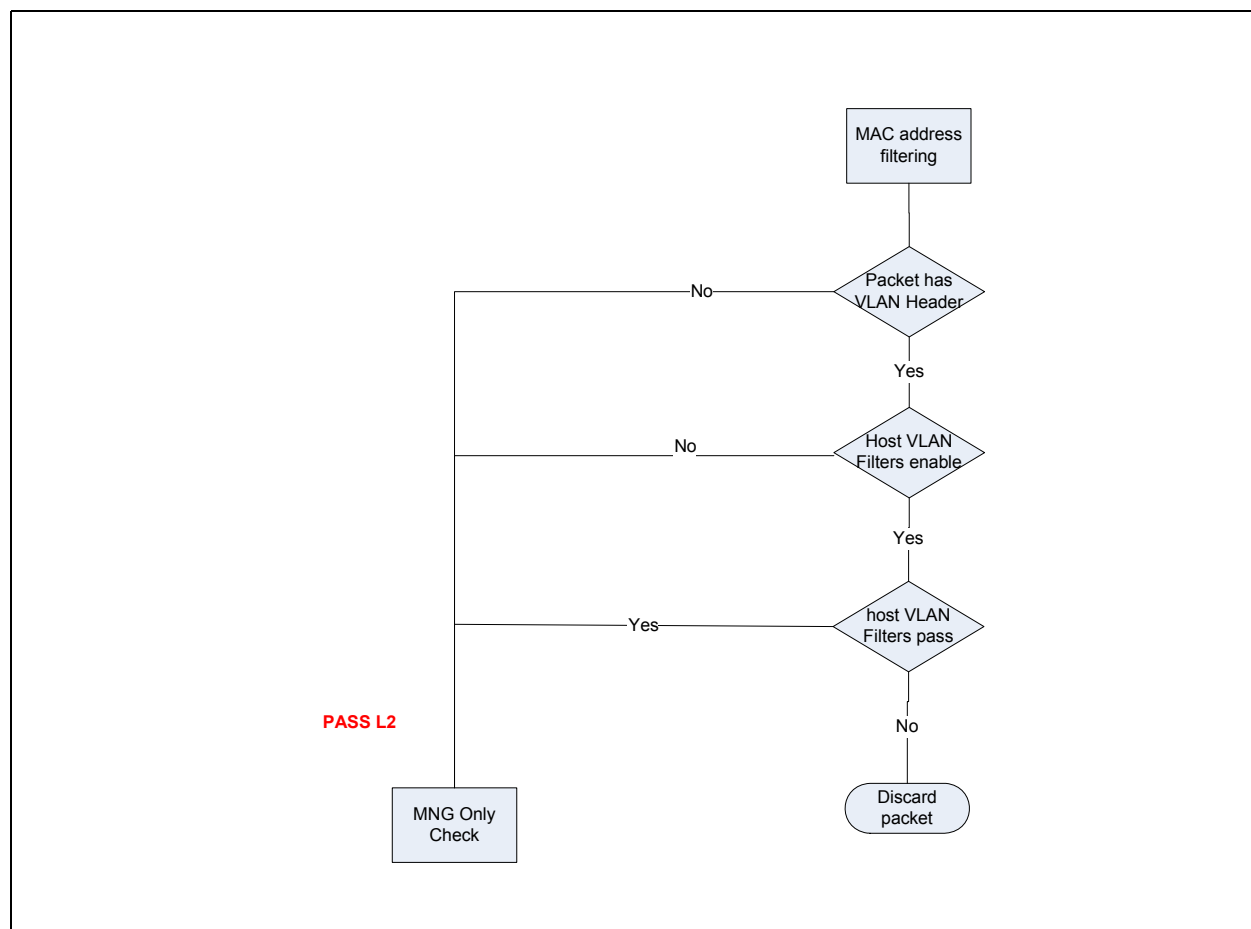


Figure 7-3. I210 VLAN Filtering

7.1.1.3 Manageability Filtering

Manageability filtering is described in [Section 10.3](#).

[Figure 7-4](#) shows the manageability portion of the packet filtering and it is brought here to make the receive packet filtering functionality description complete.

Note: The manageability engine might decide to block part of the received packets from also being sent to the host, according to the external MC instructions and the Flash settings.

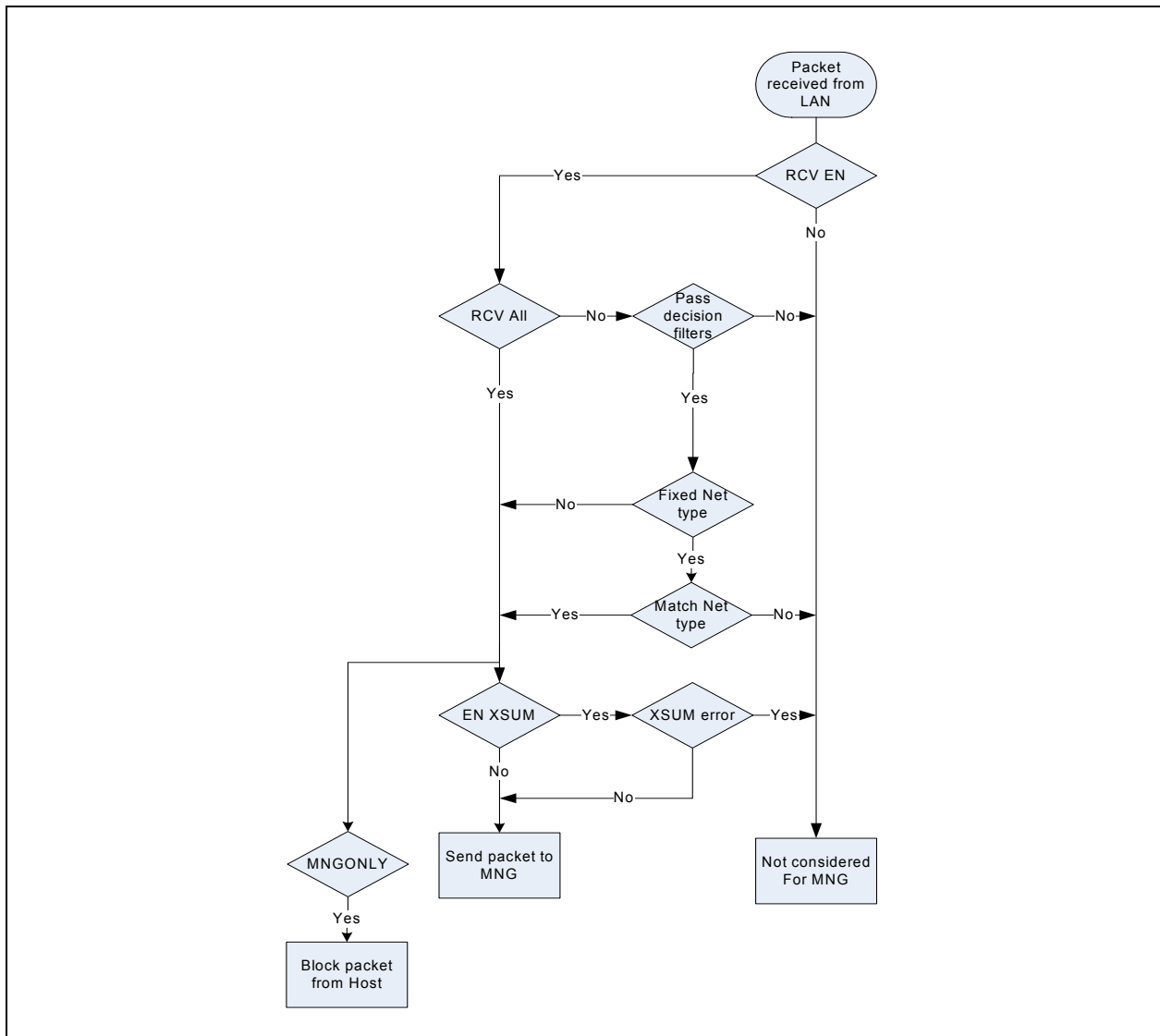


Figure 7-4. Manageability Filtering

7.1.1.4 Size Filtering

A packet is defined as undersize if it is smaller than 64 bytes.

A packet is defined as oversize in the following conditions:

- The *RCTL.LPE* bit cleared and one of the following conditions is met:
 - The packet is bigger than 1518 bytes and there are no VLAN tags in the packet.
 - The packet is bigger than 1522 bytes and there is one VLAN tag in the packet.
 - The packet is bigger than 1526 bytes and there are two VLAN tags in the packet.



- The *RCTL.LPE* bit is set to 1b and the packet is bigger than *RLPML.RLPML* bytes.

Note: Even when the *RCTL.LPE* bit is set, the maximum supported received-packet size is 9.5 KB (9728 bytes).

7.1.2 Receive Queues Assignment

The following filter mechanisms determines the destination of a receive packet. These are described briefly in this section and in full details in separate sections:

- **RSS** — Receive Side Scaling distributes packet processing between several processor cores by assigning packets into different descriptor queues. RSS assigns to each received packet an RSS index. Packets are routed to a queue out of a set of Rx queues based on their RSS index and other considerations. See [Section 7.1.2.7](#) for details on RSS.
- **L2 Ether-type filters** — These filters identify packets by their L2 Ether-type and assign them to receive queues. Examples of possible uses are LLDP packets and 802.1X packets. See [Section 7.1.2.3](#) for mode details. The I210 incorporates 4 Ether-type filters.
- **2-tuple filters** — These filters identify packets with specific TCP/UDP destination port and/or L4 protocol. Each filter consists of a 2-tuple (protocol and destination TCP/UDP port) and routes packets into one of the Rx queues. The I210 has 8 such filters. See [Section 7.1.2.4](#) for details.
- **TCP SYN filters** — The I210 might route TCP packets with their *SYN* flag set into a separate queue. *SYN* packets are often used in *SYN* attacks to load the system with numerous requests for new connections. By filtering such packets to a separate queue, security software can monitor and act on *SYN* attacks. The I210 has one such filter. See [Section 7.1.2.6](#) for more details.
- **Flex Filters** - These filters can be either used as WoL filters when the I210 is in D3 state or for queueing in normal operating mode (D0 state). Filters enable queueing according to a match of any 128 Byte sequence at the beginning of a packet. Each one of the 128 bytes can be either compared or masked using a dedicated mask field. The I210 has 8 such filters. See [Section 7.1.2.5](#) for details.
- **VLAN priority filters** — These filters identify packets by their L2 VLAN priority and assign them to receive queues. See [Section 7.1.2.7](#) for mode details. The I210 incorporates 8 VLAN priority filters.
- **MAC address filters** — These filters identify packets by their L2 MAC address and assign them to receive queues. See [Section 7.1.2.8](#) for mode details. The I210 incorporates 16 MAC address filters.

A received packet is allocated to a queue as described in the following sections.

7.1.2.1 Queuing Method

When the *MRQC.Multiple Receive Queues Enable* field equals 010b (multiple receive queues as defined by filters and RSS for 4 queues) or 000b (multiple receive queues as defined by filters (2-tuple filters, L2 Ether-type filters, SYN filter and Flex Filters), the received packet is assigned to a queue in the following manner (Each filter identifies one of 4 receive queues):

1. Queue by MAC address filters (if a match)
2. Queue by L2 Ether-type filters (if a match)
3. If *RFCTL.SYNQFP* is 0b (2-tuple filter and Flex filter have priority), then:
 - a. Queue by Flex filter (if a match)
 - b. Queue by 2-tuple filter
 - c. Queue by SYN filter (if a match)
4. If *RFCTL.SYNQFP* is 1b (SYN filter has priority), then:
 - a. Queue by SYN filter (if a match)



- b. Queue by Flex filter (if a match)
- c. Queue by 2-tuple filter (if a match)
- 5. Queue by VLAN Priority (if a match)
- 6. Queue by RSS (if RSS enabled) - Identifies one of 1 x 4 queues through the RSS index. The following modes are supported:
 - No RSS — The default queue as defined in *MRQC.DEF_Q* is used for packets that do not meet any of the previous conditions.
 - RSS only — A set of 4 queues is allocated for RSS. The queue is identified through the RSS index. Note that it is possible to use a subset of the 4 queues.

Note: No RSS here mean either that RSS is disabled (*MRQC.Multiple Receive Queues Enable* field equals 000b) or that the packet did not match any of the RSS filters.

Figure 7-7 shows the receive queue assignment flow.

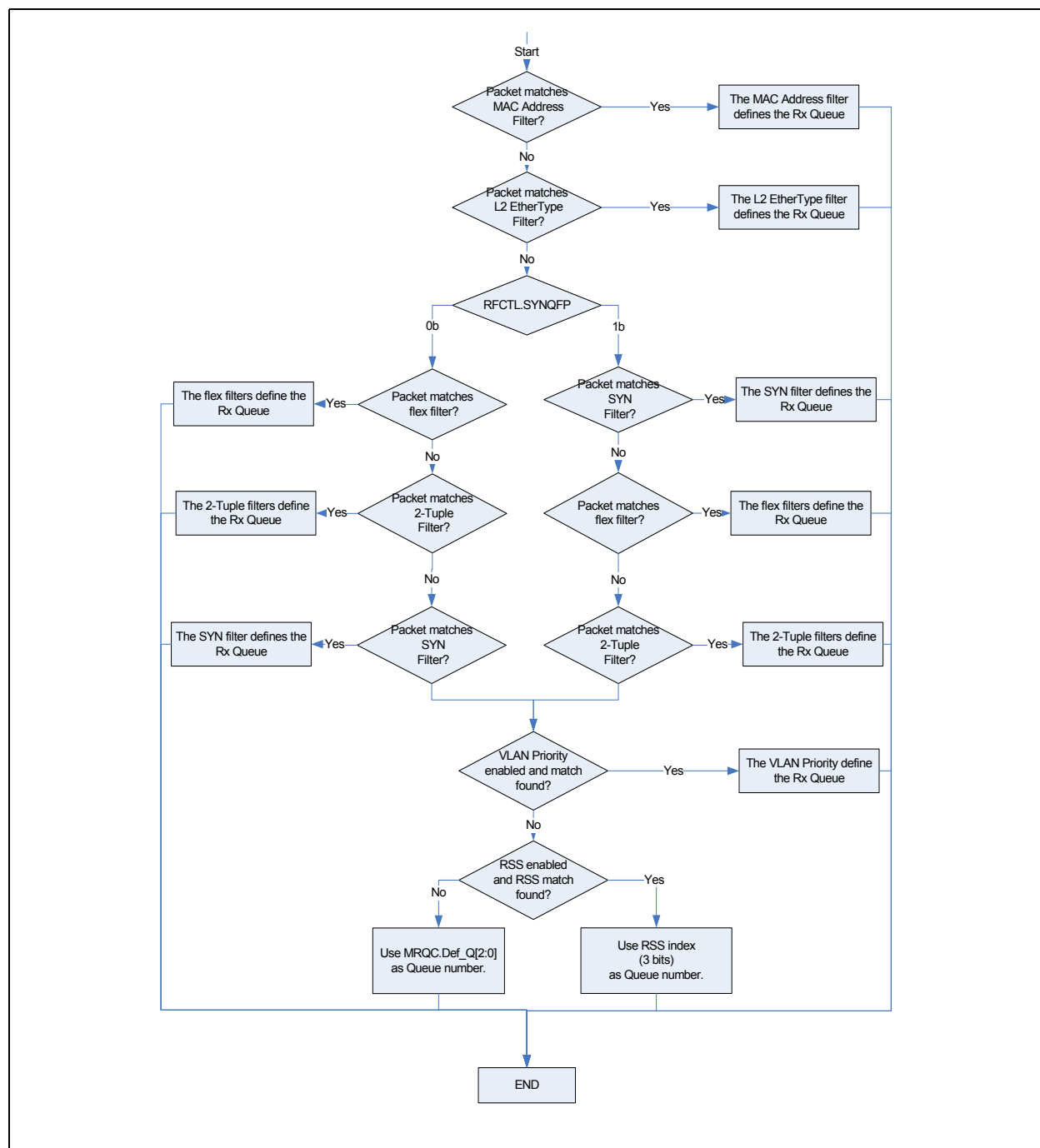


Figure 7-5. Receive Queuing Flow



7.1.2.2 Queue Configuration Registers

Configuration registers (CSRs) that control queue operation are replicated per queue (total of 4 copies of each register). Each of the replicated registers correspond to a queue such that the queue index equals the serial number of the register (such as register 0 corresponds to queue 0, etc.). Registers included in this category are:

- *RDBAL* and *RDBAH* — Rx Descriptor Base
- *RDLEN* — RX Descriptor Length
- *RDH* — RX Descriptor Head
- *RDT* — RX Descriptor Tail
- *RXDCTL* — Receive Descriptor Control
- *RXCTL* — Rx DCA Control
- *SRRCTL* — Split and Replication Receive Control
- *PSRTYPE* — Packet Split Receive Type

7.1.2.3 L2 Ether-type Filters

These filters identify packets by L2 Ether-type and assign them to a receive queue. The following usages have been identified:

- IEEE 802.1X packets — Extensible Authentication Protocol over LAN (EAPOL).
- Time sync packets (such as IEEE 1588) — Identifies Sync or Delay_Req packets
- IEEE802.1AB LLDP (Link Layer Discovery Protocol) packets.
- IEEE1722 (Layer 2 Transport Protocol for Time Sensitive Applications) packets
- IEEE1722 Layer 2 transport protocol for timed sensitive applications.

The I210 incorporates 4 Ether-type filters.

The *Packet Type* field in the Rx descriptor captures the filter number that matched the L2 Ether-type. See [Section 7.1.4.2](#) for decoding of the *Packet Type* field.

The Ether-type filters are configured via the ETQF register as follows:

- The *EType* field contains the 16-bit Ether-type compared against all L2 type fields in the Rx packet.
- The *Filter Enable* bit enables identification of Rx packets by Ether-type according to this filter. If this bit is cleared, the filter is ignored for all purposes.
- The *Etype Length* and *Etype Length Enable* are used to enable parsing beyond the Ethertype defined by the ETQF entry, the *Etype Length* points to the following Ethertype in the packet to support extended Rx parsing.
- The *Rx Queue* field contains the absolute destination queue for the packet.
- The *1588 Time Stamp* field indicates that the packet should be time stamped according to the IEEE 1588 specification.
- The *Queue Enable* field enables forwarding Rx packets based on the Ether-type defined in this register. Refer to [Section 7.1.2.1](#) on the impact and order of ETQF on the I210 queue selection algorithm.
- The *Ethertype length* field contains the size of the Ethertype in bytes.
- The *Ethertype length Enable* field enables the parsing of the Rx packets based on the Ethertype defined in this register.



Note: Software should not assign the same Ether-type value to different ETQF filters with different *Rx Queue* assignments.

Note: The Etype Length and Etype Length Enable should only be used when parsing beyond the defined Ethertype is required to enable Rx offloading for non L2 only packets.

Note: Queuing and Immediate interrupt decisions for an incoming packet that matches more than a single ETQF entry are done according to the setting of the last ETQF match.

7.1.2.4 2-Tuple Filters

These filters identify specific packets destined to a certain TCP/UDP port and implement a specific protocol. Each filter consists of a 2-tuple (protocol and destination TCP/UDP port) and forwards packets into one of the receive queues.

The I210 incorporates 8 such filters.

The 2-tuple filters are configured via the *TTQF* (See [Section 8.11.3](#)), *IMIR* (See [Section 8.11.1](#)) and *IMIR_EXT* (See [Section 8.11.2](#)) registers as follows (per filter):

- Protocol — Identifies the IP protocol, part of the 2-tuple queue filters. Enabled by a bit in the *TTQF.Mask* field.
- Destination port — Identifies the TCP/UDP destination port, part of the 2-tuple queue filters. Enabled by the *IMIR.PORT_BP* bit.
- Size threshold (*IMIREXT.Size_Thresh*) — Identifies the length of the packet that should trigger the filter. This is the length as received by the host, not including any part of the packet removed by hardware. Enabled by the *IMIREXT.Size_BP* field.
- Control Bits — Identify TCP flags that might be part of the filtering process. Enabled by the *IMIREXT.CtrlBit_BP* field.
- Rx queue — Determines the Rx queue for packets that match this filter:
 - The *TTQF.Rx Queue* field contains the queue serial number.
- Queue enable — Enables forwarding a packet that uses this filter to the queue defined in the *TTQF.Rx Queue* field.
- Mask — A 1-bit field that masks the L4 protocol check. The filter is a logical AND of the non-masked 2-tuple fields. If all 2-tuple fields are masked, the filter is not used for queue forwarding.

Notes:

- If more than one 2-tuple filter with the same priority is matched by the packet, the first filter (lowest ordinal number) is used in order to define the queue destination of this packet.
- The immediate interrupt and 1588 actions are defined by the OR of all the matching filters.

7.1.2.5 Flex Filters

The I210 supports a total of 8 flexible filters. Each filter can be configured to recognize any arbitrary pattern within the first 128 bytes of the packet. To configure the flexible filters, software programs the mask values (required values and the minimum packet length), into the Flexible Host Filter Table (*FHFT* and *FHFT_EXT*, See [Section 8.21.18](#) and [Section 8.21.19](#)). These 8 flexible filters can be used as for wake-up or proxying when in D3 state or for queueing when in D0 state. Software must enable the filters in the *Wake Up Filter Control* (*WUFC* See [Section 8.21.2](#)) register or Proxying Filter Control (*PROXYFC* see [Section 8.21.6](#)) for operation in D3 low power mode or in the *WUFC* register in D0 mode.



In D0 mode these filters enable forwarding of packets that match up to 128 Bytes defined in the filter to one of the receive queues. In D3 mode these filters can be used for Wake-on-Lan as described in [Section 5.6.3.1.8](#) or proxying as described in [Section 5.7](#).

Once enabled, the flexible filters scan incoming packets for a match. If the filter encounters any byte in the packet where the mask bit is one and the byte doesn't match the value programmed in the Flexible Host Filter Table (*FHFT* or *FHFT_EXT*), then the filter fails that packet. If the filter reaches the required length without failing the packet, it forwards the packet to the appropriate receive queue. It ignores any mask bits set to one beyond the required length (defined in the Length field in the *FHFT* or *FHFT_EXT* registers).

Note: The flex filters are temporarily disabled when read from or written to by the host. Any packet received during a read or write operation is dropped. Filter operation resumes once the read or write access completes.

The flex filters are configured in D0 state via the *WUFC*, *FHFT* and *FHFT_EXT* registers as follows (per filter):

- Byte Sequence to be compared - Program 128 Byte sequence, mask bits and *Length* field in *FHFT* and *FHFT_EXT* registers.
- Filter Priority - Program filter priority in queueing field in *FHFT* and *FHFT_EXT* registers.
- Receive queue - Program receive queue to forward packet in queueing field in *FHFT* and *FHFT_EXT* registers.
- Filter actions - Program immediate interrupt requirement in queueing field in *FHFT* and *FHFT_EXT* registers.
- Filter enable - Set *WUFC.FLEX_HQ* bit to 1 to enable flex filter operation in D0 state. Set appropriate *WUFC.FLX[n]* bit to 1 to enable specific flex filter.

Before entering D3 state software device driver programs the *FHFT* and *FHFT_EXT* filters for appropriate wake events and enables relevant filters by setting the *WUFC.FLX[n]* bit to 1 or the *PROXYFC.FLX[n]* bit to 1b. Following move to D0 state the software device driver programs the *FHFT* and *FHFT_EXT* filters for appropriate queueing decisions and enables the relevant filters by setting the *WUFC.FLX[n]* bit to 1b and the *WUFC.FLEX_HQ* bit to 1b.

Notes: If more than one flex filter with the same priority is matched by the packet, the first filter (lowest address) is used in order to define the queue destination of this packet.
The immediate interrupt action is defined by the OR of all the matching filters.

7.1.2.6 SYN Packet Filters

The I210 might forward TCP packets whose *SYN* flag is set into a separate queue. SYN packets are often used in SYN attacks to load the system with numerous requests for new connections. By filtering such packets to a separate queue, security software can monitor and act on SYN attacks.

SYN filters are configured via the SYNQF registers as follows:

- Queue En — Enables forwarding of SYN packets to a specific queue.
- Rx Queue field — Contains the destination queue for the packet.

7.1.2.7 VLAN Priority Filters

The I210 can forward packets according to their VLAN priority to separate queues. The I210 supports the configuration of the destination queue per VLAN priority.



VLAN priority filters are configured via the VLANPQF registers as follows:

- Queue En — Enables forwarding of packets for each VLAN priority to a specific queue.
- Rx Queue field — Contains the destination queue for each VLAN priority packet.

7.1.2.8 VLAN Tag Filters

The I210 can forward packets according to their VLAN tag to separate queues. The I210 supports the configuration of the destination queue per VLAN tag.

VLAN tag filters are configured via the VLANTAGQF registers as follows:

- VLAN tag value - The VLAN tag value to be filtered
- Queue En — Enables forwarding of packets for each filtered VLAN tag to a specific queue.
- Rx Queue field — Contains the destination queue for each filtered VLAN tag packet.

7.1.2.9 MAC Address Filters

The I210 can forward packets according to their MAC address to separate queues. The I210 supports the configuration of the destination queue per MAC address.

MAC Address filters are configured via the RAL/H registers as follows:

- MAC address value - The MAC address value to be filtered
- Queue En — Enables forwarding of packets for each filtered MAC address to a specific queue.
- Rx Queue field — Contains the destination queue for each filtered MAC address.

7.1.2.10 Receive-Side Scaling (RSS)

RSS is a mechanism to distribute received packets into several descriptor queues. Software then assigns each queue to a different processor, sharing the load of packet processing among several processors.

The I210 uses RSS as one ingredient in its packet assignment policy (the others are the various filters for Qav). The RSS output is a RSS index. The I210's global assignment uses these bits (or only some of the LSB bits) as part of the queue number.

RSS is enabled by the MRQC register. The RSS hash is reported only on the advanced receive descriptor and it multiplexed with UDP fragmentation parameters. Selection between these two status indications is done by the RXCSUM.PCSD bit setting.

When RSS is enabled, the I210 provides software with the following information as required by Microsoft* RSS specification or for device driver assistance:

- A Dword result of the Microsoft* RSS hash function, to be used by the stack for flow classification, is written into the receive packet descriptor (required by Microsoft* RSS).
- A 4-bit RSS *Type* field conveys the hash function used for the specific packet (required by Microsoft* RSS).

Figure 7-6 shows the process of computing an RSS output:

1. The receive packet is parsed into the header fields used by the hash operation (such as IP addresses, TCP port, etc.).

2. A hash calculation is performed. The I210 supports a single hash function, as defined by Microsoft* RSS. The I210 does not indicate to the software device driver which hash function is used. The 32-bit result is fed into the packet receive descriptor.
3. The seven LSB bits of the hash result are used as an index into a 128-entry indirection table. Each entry provides a 3-bit RSS output index.

When RSS is disabled, packets are assigned an RSS output index = zero. System software might enable or disable RSS at any time. While disabled, system software might update the contents of any of the RSS-related registers.

When multiple requests queues are enabled in RSS mode, un-decodable packets are assigned an RSS output index = zero. The 32-bit tag (normally a result of the hash function) equals zero.

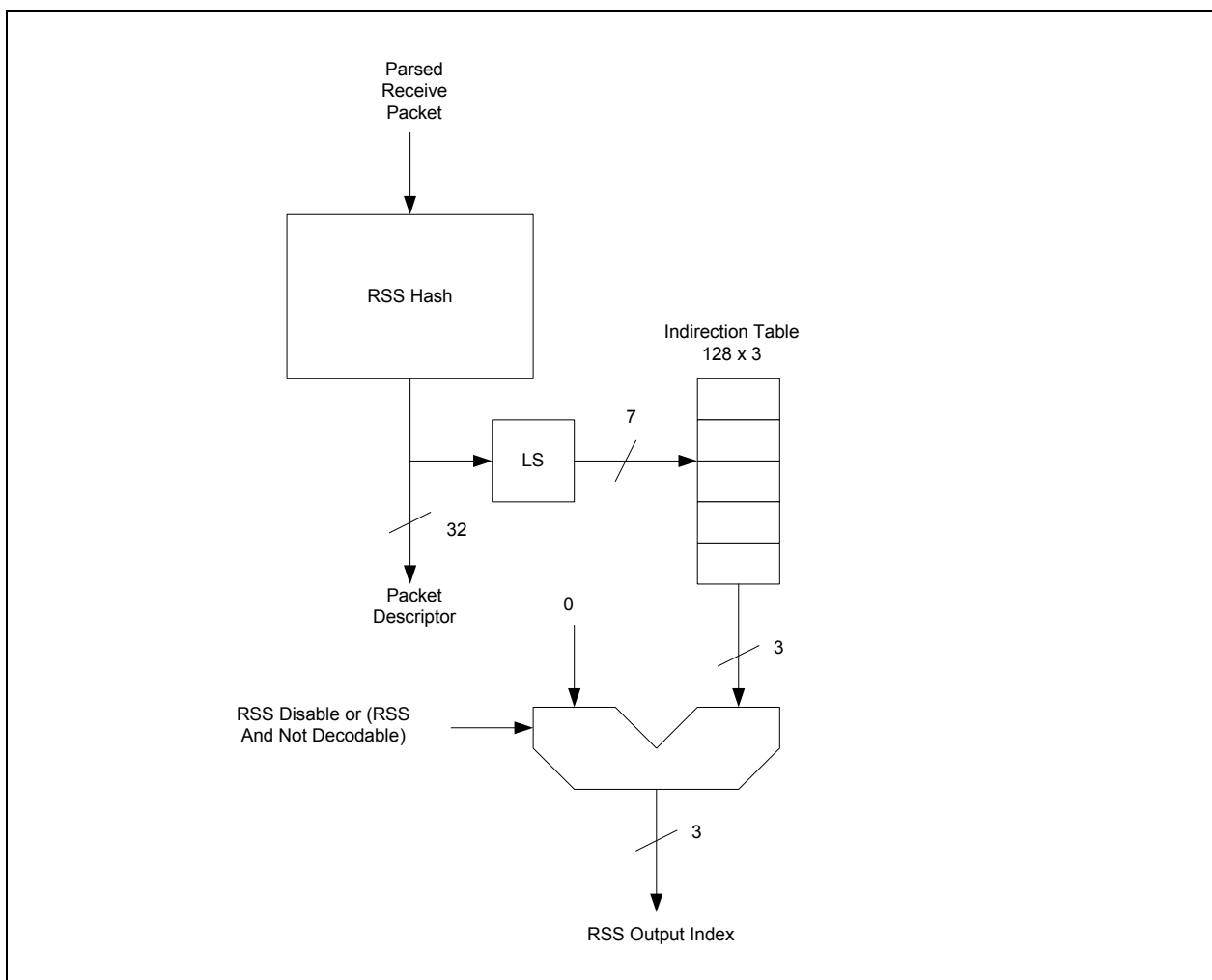


Figure 7-6. RSS Block Diagram

7.1.2.10.1 RSS Hash Function



Section 7.1.2.10.1 provides a verification suite used to validate that the hash function is computed according to Microsoft* nomenclature.

The I210 hash function follows Microsoft* definition. A single hash function is defined with several variations for the following cases:

- **TcpIPv4** — The I210 parses the packet to identify an IPv4 packet containing a TCP segment per the criteria described later in this section. If the packet is not an IPv4 packet containing a TCP segment, RSS is not done for the packet.
- **IPv4** — The I210 parses the packet to identify an IPv4 packet. If the packet is not an IPv4 packet, RSS is not done for the packet.
- **TcpIPv6** — The I210 parses the packet to identify an IPv6 packet containing a TCP segment per the criteria described later in this section. If the packet is not an IPv6 packet containing a TCP segment, RSS is not done for the packet.
- **TcpIPv6Ex** — The I210 parses the packet to identify an IPv6 packet containing a TCP segment with extensions per the criteria described later in this section. If the packet is not an IPv6 packet containing a TCP segment, RSS is not done for the packet. Extension headers should be parsed for a *Home-Address-Option* field (for source address) or the *Routing-Header-Type-2* field (for destination address).
- **IPv6Ex** — The I210 parses the packet to identify an IPv6 packet. Extension headers should be parsed for a *Home-Address-Option* field (for source address) or the *Routing-Header-Type-2* field (for destination address). Note that the packet is not required to contain any of these extension headers to be hashed by this function. In this case, the IPv6 hash is used. If the packet is not an IPv6 packet, RSS is not done for the packet.
- **IPv6** — The I210 parses the packet to identify an IPv6 packet. If the packet is not an IPv6 packet, receive-side-scaling is not done for the packet.

The following additional cases are not part of the Microsoft* RSS specification:

- **UdpIPv4** — The I210 parses the packet to identify a packet with UDP over IPv4.
- **UdpIPv6** — The I210 parses the packet to identify a packet with UDP over IPv6.
- **UdpIPv6Ex** — The I210 parses the packet to identify a packet with UDP over IPv6 with extensions.

A packet is identified as containing a TCP segment if all of the following conditions are met:

- The transport layer protocol is TCP (not UDP, ICMP, IGMP, etc.).
- The TCP segment can be parsed (such as IP options can be parsed, packet not encrypted).
- The packet is not fragmented (even if the fragment contains a complete TCP header).

Bits[31:16] of the Multiple Receive Queues Command (*MROC*) register enable each of the above hash function variations (several can be set at a given time). If several functions are enabled at the same time, priority is defined as follows (skip functions that are not enabled):

IPv4 packet:

1. Try using the `TcpIPv4` function.
2. Try using `IPV4_UDP` function.
3. Try using the `IPv4` function.

IPv6 packet:

1. If `TcpIPv6Ex` is enabled, try using the `TcpIPv6Ex` function; else if `TcpIPv6` is enabled try using the `TcpIPv6` function.
2. If `UdpIPv6Ex` is enabled, try using `UdpIPv6Ex` function; else if `UdpIPv6` is enabled try using `UdpIPv6` function.



3. If IPv6Ex is enabled, try using the IPv6Ex function, else if IPv6 is enabled, try using the IPv6 function.

The following combinations are currently supported:

- Any combination of IPv4, TcpIPv4, and UdpIPv4.
- And/or.
- Any combination of either IPv6, TcpIPv6, and UdpIPv6 or IPv6Ex, TcpIPv6Ex, and UdpIPv6Ex.

When a packet cannot be parsed by the previously mentioned rules, it is assigned an RSS output index = zero. The 32-bit tag (normally a result of the hash function) equals zero.

The 32-bit result of the hash computation is written into the packet descriptor and also provides an index into the indirection table.

The following notation is used to describe the hash functions:

- Ordering is little endian in both bytes and bits. For example, the IP address 161.142.100.80 translates into 0xa18e6450 in the signature.
- A \wedge denotes bit-wise XOR operation of same-width vectors.
- @x-y denotes bytes x through y (including both of them) of the incoming packet, where byte 0 is the first byte of the IP header. In other words, it is considered that all byte-offsets as offsets into a packet where the framing layer header has been stripped out. Therefore, the source IPv4 address is referred to as @12-15, while the destination v4 address is referred to as @16-19.
- @x-y, @v-w denotes concatenation of bytes x-y, followed by bytes v-w, preserving the order in which they occurred in the packet.

All hash function variations (IPv4 and IPv6) follow the same general structure. Specific details for each variation are described in the following section. The hash uses a random secret key length of 320 bits (40 bytes); the key is typically supplied through the RSS Random Key Register (RSSRK).

The algorithm works by examining each bit of the hash input from left to right. Intel's nomenclature defines left and right for a byte-array as follows: Given an array K with k bytes, Intel's nomenclature assumes that the array is laid out as shown:

`K[0] K[1] K[2] ... K[k-1]`

K[0] is the left-most byte, and the MSB of K[0] is the left-most bit. K[k-1] is the right-most byte, and the LSB of K[k-1] is the right-most bit.

```
ComputeHash(input[], N)
For hash-input input[] of length N bytes (8N bits) and a random secret key K of 320 bits
Result = 0;
For each bit b in input[] {
if (b == 1) then Result ^= (left-most 32 bits of K);
shift K left 1 bit position;
}
return Result;
```

The following four pseudo-code examples are intended to help clarify exactly how the hash is to be performed in four cases, IPv4 with and without ability to parse the TCP header and IPv6 with an without a TCP header.

7.1.2.10.1.1 Hash for IPv4 with TCP

Concatenate SourceAddress, DestinationAddress, SourcePort, DestinationPort into one single byte-array, preserving the order in which they occurred in the packet:



```
Input[12] = @12-15, @16-19, @20-21, @22-23.
Result = ComputeHash(Input, 12);
```

7.1.2.10.1.2 Hash for IPv4 with UDP

Concatenate SourceAddress, DestinationAddress, SourcePort, DestinationPort into one single byte-array, preserving the order in which they occurred in the packet:

```
Input[12] = @12-15, @16-19, @20-21, @22-23.
Result = ComputeHash(Input, 12);
```

7.1.2.10.1.3 Hash for IPv4 without TCP

Concatenate SourceAddress and DestinationAddress into one single byte-array

```
Input[8] = @12-15, @16-19
Result = ComputeHash(Input, 8)
```

7.1.2.10.1.4 Hash for IPv6 with TCP

Similar to above:

```
Input[36] = @8-23, @24-39, @40-41, @42-43
Result = ComputeHash(Input, 36)
```

7.1.2.10.1.5 Hash for IPv6 with UDP

Similar to above:

```
Input[36] = @8-23, @24-39, @40-41, @42-43
Result = ComputeHash(Input, 36)
```

7.1.2.10.1.6 Hash for IPv6 without TCP

```
Input[32] = @8-23, @24-39
Result = ComputeHash(Input, 32)
```

7.1.2.10.2 Indirection Table

The *RETA* indirection table is a 128-entry structure, indexed by the seven LSB bits of the hash function output. Each entry of the table contains the following:

- Bits [2:0] - RSS index

Note: In RSS only mode, all 3 bits are used. In VMDq mode RSS is not supported.

System software might update the indirection table during run time. Such updates of the table are not synchronized with the arrival time of received packets. Therefore, it is not guaranteed that a table update takes effect on a specific packet boundary.

7.1.2.10.3 RSS Verification Suite

Assume that the random key byte-stream is:

```
0x6d, 0x5a, 0x56, 0xda, 0x25, 0x5b, 0x0e, 0xc2,
0x41, 0x67, 0x25, 0x3d, 0x43, 0xa3, 0x8f, 0xb0,
0xd0, 0xca, 0x2b, 0xcb, 0xae, 0x7b, 0x30, 0xb4,
0x77, 0xcb, 0x2d, 0xa3, 0x80, 0x30, 0xf2, 0x0c,
```



0x6a, 0x42, 0xb7, 0x3b, 0xbe, 0xac, 0x01, 0xfa

7.1.2.10.3.1 IPv4

Table 7-1. IPv4

| Destination Address/Port | Source Address/Port | IPv4 Only | IPv4 With TCP |
|--------------------------|----------------------|------------|---------------|
| 161.142.100.80:1766 | 66.9.149.187:2794 | 0x323e8fc2 | 0x51ccc178 |
| 65.69.140.83:4739 | 199.92.111.2:14230 | 0xd718262a | 0xc626b0ea |
| 12.22.207.184:38024 | 24.19.198.95:12898 | 0xd2d0a5de | 0x5c2b394a |
| 209.142.163.6:2217 | 38.27.205.30:48228 | 0x82989176 | 0xafc7327f |
| 202.188.127.2:1303 | 153.39.163.191:44251 | 0x5d1809c5 | 0x10e828a2 |

7.1.2.10.3.2 IPv6

The IPv6 address tuples are only for verification purposes and might not make sense as a tuple.

Table 7-2. IPv6

| Destination Address/Port | Source Address/Port | IPv6 Only | IPv6 With TCP |
|----------------------------------|---|------------|---------------|
| 3ffe:2501:200:3::1 (1766) | 3ffe:2501:200:1fff::7 (2794) | 0x2cc18cd5 | 0x40207d3d |
| ff02::1 (4739) | 3ffe:501:8::260:97ff:fe40:efab (14230) | 0x0f0c461c | 0xdd51bbf |
| fe80::200:f8ff:fe21:67cf (38024) | 3ffe:1900:4545:3:200:f8ff:fe21:67cf (44251) | 0x4b61e985 | 0x02d1feef |

7.1.2.10.4 Association Through MAC Address

Each of the 16 MAC address filters can be associated with a VM. The *POOLSEL* field in the Receive Address High (*RAH*) register determines the target VM. Packets that do not match any of the MAC filters (such as promiscuous) are assigned with the default VM as defined in the *VT_CTL.DEF_PL* field.

Software can program different values to the MAC filters (any bits in *RAH* or *RAL*) at any time. The I210 would respond to the change on a packet boundary but does not guarantee the change to take place at some precise time.

7.1.3 Receive Data Storage

7.1.3.1 Host Buffers

Each descriptor points to a one or more memory buffers that are designated by the software device driver to store packet data.

The size of the buffer can be set using either the generic *RCTL.BSIZE* field, or the per queue *SRRCTL[n].BSIZEPACKET* field.

If *SRRCTL[n].BSIZEPACKET* is set to zero for any queue, the buffer size defined by *RCTL.BSIZE* is used. Otherwise, the buffer size defined by *SRRCTL[n].BSIZEPACKET* is used.

If the receive buffer size is selected by bit settings in the Receive Control (*RCTL.BSIZE*) buffer sizes of 256, 512, 1024, and 2048 bytes are supported.



If the receive buffer size is selected by *SRRCTL[n].BSIZEPACKET*, buffer sizes of 1KB to 127 KB are supported with a resolution of 1 KB.

In addition, for advanced descriptor usage the *SRRCTL.BSIZEHEADER* field is used to define the size of the buffers allocated to headers. Header Buffer sizes of 64 bytes to 2048 bytes with a resolution of 64 bytes are supported.

The I210 places no alignment restrictions on receive memory buffer addresses. This is desirable in situations where the receive buffer was allocated by higher layers in the networking software stack, as these higher layers might have no knowledge of a specific device's buffer alignment requirements.

Note: When the *No-Snoop Enable* bit is used in advanced descriptors, the buffer address is 16-bit (2-byte) aligned.

7.1.3.2 On-Chip Receive Buffer

The I210 allocates by default a 36 KB on-chip packet buffer. The buffer is used to store packets until they are forwarded to the host. Actual on-chip receive buffer allocated can be controlled the *RXPBSIZE* register.

7.1.3.3 On-chip Descriptor Buffers

The I210 contains a 16 descriptor cache for each receive queue used to reduce the latency of packet processing and to optimize the usage of PCIe bandwidth by fetching and writing back descriptors in bursts. The fetch and write-back algorithm are described in [Section 7.1.4.3](#) and [Section 7.1.4.4](#).

7.1.4 Receive Descriptors

7.1.4.1 Legacy Receive Descriptor Format

A receive descriptor is a data structure that contains the receive data buffer address and fields for hardware to store packet information. If *SRRCTL[n].DESCTYPE* = 000b, the I210 uses the legacy Receive descriptor listed in [Table 7-3](#). The shaded areas indicate fields that are modified by hardware upon packet reception (so-called descriptor write-back).

Table 7-3. Legacy Receive Descriptor (RDESC) Layout

| | | | | | | |
|---|-----------------------|--------------|--------------|-------------------|--------------|----------|
| | 63 | 48 47 | 40 39 | 32 31 | 16 15 | 0 |
| 0 | Buffer Address [63:0] | | | | | |
| 8 | VLAN Tag | Errors | Status | Fragment Checksum | Length | |

After receiving a packet for the I210, hardware stores the packet data into the indicated buffer and writes the length, packet checksum, status, errors, and status fields.

[Packet Buffer Address \(64\)](#) - Physical address of the packet buffer.

[Length Field \(16\)](#)

Length covers the data written to a receive buffer including CRC bytes (if any). Software must read multiple descriptors to determine the complete length for a packet that spans multiple receive buffers.

[Fragment Checksum \(16\)](#)



This field is used to provide the fragment checksum value. This field equals to the unadjusted 16-bit ones complement of the packet. Checksum calculation starts at the L4 layer (after the IP header) until the end of the packet excluding the CRC bytes. In order to use the fragment checksum assist to offload L4 checksum verification, software might need to back out some of the bytes in the packet. For more details see Section 7.1.7.2

Status Field (8)

Status information indicates whether the descriptor has been used and whether the referenced buffer is the last one for the packet. See Table 7-4 for the layout of the Status field. Error status information is shown in Figure 7-8.

Table 7-4. Receive Status (RDESC.STATUS) Layout

| | | | | | | | |
|-----|------|------|-------|----|-----|-----|----|
| 7 | 6 | 5 | 4 | 3 | 2 | 1 | 0 |
| PIF | IPCS | L4CS | UDPCS | VP | Rsv | EOP | DD |

- PIF (bit 7) - Passed imperfect filter only
- IPCS (bit 6) - IPv4 checksum calculated on packet
- L4CS (bit 5) - L4 (UDP or TCP) checksum calculated on packet
- UDPCS (bit 4) - UDP checksum or IP payload checksum calculated on packet.
- VP (bit 3) - Packet is 802.1Q (matched VET); indicates strip VLAN in 802.1Q packet
- RSV (bit 2) - Reserved
- EOP (bit 1) - End of packet
- DD (bit 0) - Descriptor done

EOP and DD

Table 7-5 lists the meaning of these bits:

Table 7-5. Receive Status Bits

| DD | EOP | Description |
|----|-----|--|
| 0b | 0b | Software setting of the descriptor when it hands it off to the hardware. |
| 0b | 1b | Reserved (invalid option). |
| 1b | 0b | A completion status indication for a non-last descriptor of a packet that spans across multiple descriptors. In a single packet case, DD indicates that the hardware is done with the descriptor and its buffers. Only the Length fields are valid on this descriptor. |
| 1b | 1b | A completion status indication of the entire packet. Note that software Might take ownership of its descriptors. All fields in the descriptor are valid (reported by the hardware). |

VP Field

The VP field indicates whether the incoming packet's type matches the VLAN Ethernet Type programmed in the VET Register. For example, if the packet is a VLAN (802.1Q) type, it is set if the packet type matches VET and CTRL.VME is set (VLAN mode enabled). It also indicates that VLAN has been stripped from the 802.1Q packet. For more details, see Section 7.4.

IPCS (IPv4 Checksum), L4CS (L4 Checksum), and UDPCS (UDP Checksum)

The meaning of these bits is listed in Table 7-6:



Table 7-6. IPCS, L4CS, and UDPCS

| L4CS | UDPCS | IPCS | Functionality |
|------|-------|---------|--|
| 0b | 0b | 0b | Hardware does not provide checksum offload. Special case: Hardware does not provide UDP checksum offload for IPV4 packet with UDP checksum = 0b |
| 1b | 0b | 1b / 0b | Hardware provides IPv4 checksum offload if IPCS is active and TCP checksum is offload. A pass/fail indication is provided in the <i>Error</i> field – IPE and L4E. |
| 0b | 1b | 1b / 0b | Hardware provides IPv4 checksum offload if IPCS is active and UDP checksum is offload. A pass/fail indication is provided in the <i>Error</i> field – IPE and L4E. |

Refer to [Table 7-18](#) for a description of supported packet types for receive checksum offloading. Unsupported packet types do not have the *IPCS* or *L4CS* bits set. IPv6 packets do not have the *IPCS* bit set, but might have the *L4CS* bit set if the I210 recognized the TCP or UDP packet.

PIF

Hardware supplies the *PIF* field to expedite software processing of packets. Software must examine any packet with *PIF* bit set to determine whether to accept the packet. If the *PIF* bit is clear, then the packet is known to be destined to this station, so software does not need to look at the packet contents. Multicast packets passing only the Multicast Vector (MTA) set the *PIF* bit. In addition, the following condition causes *PIF* to be cleared:

- The DA of the packet is a multicast address and promiscuous multicast is set (*RCTL.MPE* = 1b).
- The DA of the packet is a broadcast address and accept broadcast mode is set (*RCTL.BAM* = 1b)

A MAC control frame forwarded to the host (*RCTL.PMCF* = 0b) that does not match any of the exact filters, has the *PIF* bit set.

Error Field (8)

Most error information appears only when the *store-bad-packet* bit (*RCTL.SBP*) is set and a bad packet is received. See [Table 7-7](#) for a definition of the possible errors and their bit positions.

Table 7-7. RXE, IPE and L4E

| 7 | 6 | 5 | 4 | 3 | 2 | 1 | 0 |
|-----|-----|-----|----------|---|---|---|---|
| RXE | IPE | L4E | Reserved | | | | |

- RXE (bit 7) - RX Data Error
- IPE (bit 6) - IPv4 Checksum Error
- L4E (bit 5) - TCP/UDP Checksum Error
- Reserved (bit 4:0)

IPE/L4E

The IP and TCP/UDP checksum error bits from [Table 7-7](#) are valid only when the IPv4 or TCP/UDP checksum(s) is performed on the received packet as indicated via *IPCS* and *L4CS*. These, along with the other error bits, are valid only when the *EOP* and *DD* bits are set in the descriptor.

Note: Receive checksum errors have no effect on packet filtering.

If receive checksum offloading is disabled (*RXCSUM.IPOFLD* and *RXCSUM.TUOFLD*), the *IPE* and *L4E* bits are 0b.



RXE

The RXE error bit is asserted in the following case:

1. CRC error is detected. CRC can be a result of reception of /V/ symbol on the TBI interface (see section 3.7.3.3.2) or assertion of RxERR on the MII/GMII interface or bad EOP or lose of sync during packet reception. Packets with a CRC error are posted to host memory only when *store-bad-packet* bit (*RCTL.SBP*) is set.

VLAN Tag Field (16)

Hardware stores additional information in the receive descriptor for 802.1Q packets. If the packet type is 802.1Q (determined when a packet matches *VET* and *CTRL.VME = 1b*), then the *VLAN Tag* field records the VLAN information and the four-byte VLAN information is stripped from the packet data storage. Otherwise, the *VLAN Tag* field contains 0x0000. The rule for *VLAN tag* is to use network ordering (also called big endian). It appears in the following manner in the descriptor:

Table 7-8. VLAN Tag Field Layout (for 802.1Q Packet)

| | | | | |
|-----|-----|------|----|---|
| 15 | 13 | 12 | 11 | 0 |
| PRI | CFI | VLAN | | |

7.1.4.2 Advanced Receive Descriptors

7.1.4.2.1 Advanced Receive Descriptors (RDESC) - Read Format

Table 7-9 shows the receive descriptor. This is the format that software writes to the descriptor queue and hardware reads from the descriptor queue in host memory. Hardware writes back the descriptor in a different format, shown in Table 7-10.

Table 7-9. RDESC Descriptor Read Format

| | | | |
|---|------------------------------|---|--------|
| | 63 | 1 | 0 |
| 0 | Packet Buffer Address [63:1] | | A0/NSE |
| 8 | Header Buffer Address [63:1] | | DD |

Packet Buffer Address (64) - Physical address of the packet buffer. The lowest bit is either A0 (LSB of address) or NSE (No-Snoop Enable), depending on bit *RXCTL.RXdataWriteNSEn* of the relevant queue. See Section 8.13.1.

Header Buffer Address (64) - Physical address of the header buffer. The lowest bit is *DD*.

Note: The I210 does not support null descriptors (a descriptor with a packet or header address that is always equal to zero).

When software sets the *NSE* bit in the receive descriptor, the I210 places the received packet associated with this descriptor in memory at the packet buffer address with *NSE* set in the PCIe attribute fields. *NSE* does not affect the data written to the header buffer address.

When a packet spans more than one descriptor, the header buffer address is not used for the second, third, etc. descriptors; only the packet buffer address is used in this case.



NSE is enabled for packet buffers that the software device driver knows have not been touched by the processor since the last time they were used, so the data cannot be in the processor cache and snoop is always a miss. Avoiding these snoop misses improves system performance. No-snoop is particularly useful when the DMA engine is moving the data from the packet buffer into application buffers, and the software device driver is using the information in the header buffer for its work with the packet.

Note: When No-Snoop Enable is used, relaxed ordering should also be enabled with *CTRL_EXT.RO_DIS*.

7.1.4.2.2 Advanced Receive Descriptors (RDESC) - Write-back Format

When the I210 writes back the descriptors, it uses the descriptor format shown in [Table 7-10](#).

Note: *SRRCTL[n].DESCTYPE* must be set to a value other than 000b for the I210 to write back the special descriptors.

Table 7-10. RDESC Descriptor Write-back Format

| | | | | | | | | | | | | | | | | | |
|---|---|----|---------|----|----|----------------|-----|--------------|----|-----------------|----|-----|-------------|----|----------|---|---|
| | 63 | 48 | 47 | 35 | 34 | 32 | 31 | 30 | 21 | 20 | 19 | 18 | 17 | 16 | 4 | 3 | 0 |
| 0 | RSS Hash Value/ {Fragment Checksum, IP identification} | | | | | | SPH | HDR_LEN[9:0] | | HDR_LEN[11:10] | | RSV | Packet Type | | RSS Type | | |
| 8 | VLAN Tag | | PKT_LEN | | | Extended Error | | | | Extended Status | | | | | | | |

RSS Type (4)

Table 7-11. RSS Type

| Packet Type | Description |
|-------------|---|
| 0x0 | No hash computation done for this packet. |
| 0x1 | HASH_TCP_IPV4 |
| 0x2 | HASH_IPV4 |
| 0x3 | HASH_TCP_IPV6 |
| 0x4 | HASH_IPV6_EX |
| 0x5 | HASH_IPV6 |
| 0x6 | HASH_TCP_IPV6_EX |
| 0x7 | HASH_UDP_IPV4 |
| 0x8 | HASH_UDP_IPV6 |
| 0x9 | HASH_UDP_IPV6_EX |
| 0xA:0xF | Reserved |

The I210 must identify the packet type and then choose the appropriate RSS hash function to be used on the packet. The RSS type reports the packet type that was used for the RSS hash function.

Packet Type (13)

- VPKT (bit 12) - VLAN Packet indication



- L2 Packet (bit 11) - L2 packet indication (not L3 or L4 packet), if this bit is set along with a higher layer indication it indicates the ETQF type is valid
- L2 Packet (bit 11) - L2 packet indication (not L3 or L4 packet), if this bit is set along with a higher layer indication it indicates the ETQF type is valid
- L2 Packet (bit 11) - L2 packet indication (not L3 or L4 packet), if this bit is set along with a higher layer indication it indicates the ETQF type is valid
- ETQF Valid (bit 11) - L2 ETQF field in Packet Type is valid. Higher layer indications (bits 7:0) can still be set.

The 11 LSB bits of the packet type reports the packet type identified by the hardware as follows:

Table 7-12. Packet Type LSB Bits (11:10)

| Bit Index | Bit 11 = 0b |
|-----------|--|
| 0 | IPV4 - Indicates IPv4 header present ¹ |
| 1 | IPV4E - Indicates IPv4 Header includes IP options ¹ |
| 2 | IPV6 - Indicates IPv6 header present ^{1 2 3} |
| 3 | IPV6E - Indicates IPv6 Header includes extensions ^{1 2 3} |
| 4 | TCP - Indicates TCP header present ^{1 3 4} |
| 5 | UDP - Indicates UDP header present ^{1 3 4} |
| 6 | SCTP - Indicates SCTP header present ^{1 3 4} |
| 7 | NFS - Indicates NFS header present ^{1 3 4} |
| 10:8 | EtherType - ETQF register index that matches the packet. Special types might be defined for 1588, 802.1X, LLDP or any other requested type. EtherType - ETQF register index that matches the packet. Special types might be defined for 1588, 802.1x, 1722, LLDP or other requested EtherTypes |

1. On unsupported tunneled frames only packet types of external IP header are set if detected.
2. When a packet is fragmented then the internal packet type bits on a supported tunneled packet (IPv6 tunneled in IPv4 only) won't be set.
3. On supported tunneled frames (IPv6 tunneled in IPv4 only) then all the internal Packet types are set if detected (IPV6, IPV6E, TCP, UDP, SCTP and NFS)
4. When a packet is fragmented the TCP, UDP, SCTP and NFS bits won't be set.

RSV(22):

Reserved.

HDR_LEN (10) - The length (bytes) of the header as parsed by the I210. In split mode when HBO (Header Buffer Overflow) is set in the Extended error field, the *HDR_LEN* can be greater than zero though nothing is written to the header buffer. In header replication mode, the *HDR_LEN* field does not reflect the size of the data actually stored in the header buffer because the I210 fills the buffer up to the size configured by *SRRCTL[n].BSIZEHEADER*, which might be larger than the header size reported here. This field is only valid in the first descriptor of a packet and should be ignored in all subsequent descriptors.

Note: When the packet is time stamped and the time stamp is placed at the beginning of the buffer the *RDESC.HDR_LEN* field is updated with the additional time stamp bytes (16 bytes). For further information see [Section 7.1.7](#).

Packet types supported by the header split and header replication are listed in [Appendix A.1](#). Other packet types are posted sequentially in the host packet buffer. Each line in [Table 7-13](#) has an enable bit in the PSRTYPE register. When one of the bits is set, the corresponding packet type is split. If the bit is not set, a packet matching the header layout is not split.



Header split and replication is described in [Section 7.1.5](#) while the packet types for this functionality are enabled by the *PSRTYPE[n]* registers ([Section 8.10.3](#)).

Note: The header of a fragmented IPv6 packet is defined before the fragmented extension header.

SPH (1) - Split Header - When set, indicates that the *HDR_LEN* field reflects the length of the header found by hardware. If cleared, the *HDR_LEN* field should be ignored. In the case where *SRRCTL[n].DESCTYPE* is set to *Header replication mode*, *SPH* bit is set but the *HDR_LEN* field does not reflect the size of the data actually stored in the header buffer, because the I210 fills the buffer up to the size configured by *SRRCTL[n].BSIZEHEADER*.

RSS Hash / {Fragment Checksum, IP identification} (32)

This field has multiplexed functionality according to the received packet type (reported on the *Packet Type* field in this descriptor) and device setting.

Fragment Checksum (16-Bit; 63:48)

The fragment checksum word contains the unadjusted one’s complement checksum of the IP payload and is used to offload checksum verification for fragmented UDP packets as described in [Section 7.1.7.2](#). This field is mutually exclusive with the RSS hash. It is enabled when the *RXCSUM.PCSD* bit is cleared and the *RXCSUM.IPPCSE* bit is set.

IP identification (16-Bit; 47:32)

The IP identification word identifies the IP packet to whom this fragment belongs and is used to offload checksum verification for fragmented UDP packets as described in [Section 7.1.7.2](#). This field is mutually exclusive with the RSS hash. It is enabled when the *RXCSUM.PCSD* bit is cleared and the *RXCSUM.IPPCSE* bit is set.

RSS Hash Value (32)

The RSS hash value is required for RSS functionality as described in [Section 7.1.2.7](#). This bit is mutually exclusive with the fragment checksum. It is enabled when the *RXCSUM.PCSD* bit is set.

Extended Status (20)

Status information indicates whether the descriptor has been used and whether the referenced buffer is the last one for the packet. [Table 7-13](#) lists the extended status word in the last descriptor of a packet (*EOP* is set). [Table 7-14](#) lists the extended status word in any descriptor but the last one of a packet (*EOP* is cleared).

Table 7-13. Receive Status (RDESC.STATUS) Layout of the Last Descriptor

| | | | | | | | | | |
|-----------|-----------|-----------|-----------|-----------|-----------|-----------|-----------|-----------|-----------|
| 19 | 18 | 17 | 16 | 15 | 14 | 13 | 12 | 11 | 10 |
| MC | Rsv | Rsv | TS | TSIP | Reserved | | Strip CRC | LLINT | UDPV |
| VEXT | Rsv | PIF | IPCS | L4I | UDPCS | VP | Rsv | EOP | DD |
| 9 | 8 | 7 | 6 | 5 | 4 | 3 | 2 | 1 | 0 |

Table 7-14. Receive Status (RDESC.STATUS) Layout of Non-Last Descriptor

| | | | |
|-----------|----------|----------|----------|
| 19 | 2 | 1 | 0 |
| Reserved | | EOP = 0b | DD |



MC (19) - Packet received from MC. The MC bit is set to indicate the packet was sent by the local MC. Bit is cleared if packet arrives from the network. For more details see [Section 10.4](#).

TS (16) - Time Stamped Packet (Time Sync). The *Time Stamp* bit is set to indicate that the device recognized a Time Sync packet and time stamped it in the RXSTMPL/H time stamp registers (See [Section 7.8.2.3](#)).

TSIP (15) - Timestamp in packet. The *Timestamp In Packet* bit is set to indicate that the received packet arrival time was captured by the hardware and the timestamp was placed in the receive buffer. For further details see [Section 7.1.7](#).

Reserved (2, 8, 14:13, 17, 18) - Reserved at zero.

PIF (7), IPCS(6), UDPCS(4), VP(3), EOP (1), DD (0) - These bits are described in the legacy descriptor format in [Section 7.1.4](#).

L4I (5) - This bit indicates that an L4 integrity check was done on the packet, either TCP checksum, UDP checksum or SCTP CRC checksum. This bit is valid only for the last descriptor of the packet. An error in the integrity check is indicated by the *L4E* bit in the error field. The type of check done can be induced from the packet type bits 4, 5 and 6. If bit 4 is set, a TCP checksum was done. If bit 5 is set a UDP checksum was done, and if bit 6 is set, a SCTP CRC checksum was done.

VEXT (9) - First VLAN is found on a double VLAN packet. This bit is valid only when *CTRL_EXT.EXT_VLAN* is set. For more details see [Section 7.4.5](#).

UDPV (10) - This bit indicates that the incoming packet contains a valid (non-zero value) checksum field in an incoming first fragment UDP IPv4 packet. This means that the Fragment Checksum field in the receive descriptor contains the IP payload checksum as described in [Section 7.1.7.2](#). When this field is cleared in the first fragment that contains the UDP header, means that the packet does not contain a valid UDP checksum and the fragment checksum field in the Rx descriptor should be ignored. This field is always cleared in incoming fragments that do not contain the UDP header or in non fragmented packet.

LLINT (11) - This bit indicates that the packet caused an immediate interrupt via the low latency interrupt mechanism.

Strip CRC (12) - This bit indicates that Ethernet CRC has been stripped from incoming packet. Strip CRC operation is defined by the *RCTL.SECRC* bit.

Extended Error (12)

Table 7-15 and the text that follows describes the possible errors reported by hardware.

Table 7-15. Receive Errors (RDESC.ERRORS) Layout

| | | | | | | | | | |
|-----------|-----------|----------|----------|----------|----------|----------|----------|----------|----------|
| 11 | 10 | 9 | 8 | 7 | 6 | 4 | 3 | 2 | 0 |
| RXE | IPE | L4E | Reserved | | Reserved | | HBO | Reserved | |

RXE (bit 11)

RXE is described in the legacy descriptor format in [Section 7.1.4](#).

IPE (bit 10)

The IPE error indication is described in the legacy descriptor format in [Section 7.1.4](#).

L4E (bit 9)

L4 error indication - When set, indicates that hardware attempted to do an L4 integrity check as described in the *L4I* bit, but the check failed.

Reserved (bits 8:7)



Reserved (bits 6:4)

HBO (bit 3) - Header Buffer Overflow

Note: The *HBO* bit is relevant only if *SPH* is set.

1. In both header replication modes, *HBO* is set if the header size (as calculated by hardware) is bigger than the allocated buffer size (*SRRCTL.BSIZEHEADER*) but the replication still takes place up to the header buffer size. Hardware sets this bit in order to indicate to software that it needs to allocate bigger buffers for the headers.
2. In header split mode, when *SRRCTL[n].BSIZEHEADER* is smaller than *HDR_LEN*, then *HBO* is set to 1b. In this case, the header is not split. Instead, the header resides within the host packet buffer. The *HDR_LEN* field is still valid and equal to the calculated size of the header. However, the header is not copied into the header buffer.

Note: Most error information appears only when the *store-bad-packet* bit (*RCTL.SBP*) is set and a bad packet is received.

Reserved (bits 2:0) - Reserved

PKT_LEN (16)

Number of bytes existing in the host packet buffer

The length covers the data written to a receive buffer including CRC bytes (if any). Software must read multiple descriptors to determine the complete length for packets that span multiple receive buffers. If *SRRCTL.DESC_TYPE* = 4 (advanced descriptor header replication large packet only) and the total packet length is smaller than the size of the header buffer (no replication is done), this field continues to reflect the size of the packet, although no data is written to the packet buffer. Otherwise, if the buffer is not split because the header is bigger than the allocated header buffer, this field reflects the size of the data written to the first packet buffer (header and data).

Note: When the packet is time stamped and the time stamp is placed at the beginning of the buffer, the *RDESC.PKT_LEN* field is updated with the additional time stamp bytes (16 bytes). For further information see [Section 7.1.7](#).

VLAN Tag (16)

These bits are described in the legacy descriptor format in [Section 7.1.4](#).

7.1.4.3 Receive Descriptor Fetching

The fetching algorithm attempts to make the best use of PCIe bandwidth by fetching a cache-line (or more) descriptor with each burst. The following paragraphs briefly describe the descriptor fetch algorithm and the software control provided.

When the *RXDCTL[n].ENABLE* bit is set and the on-chip descriptor cache is empty, a fetch happens as soon as any descriptors are made available (Host increments the *RDT[n]* tail pointer). When the on-chip buffer is nearly empty (defined by *RXDCTL.PTHRESH*), a prefetch is performed each time enough valid descriptors (defined by *RXDCTL.HTHRESH*) are available in host memory.

When the number of descriptors in host memory is greater than the available on-chip descriptor cache, the I210 might elect to perform a fetch that is not a multiple of cache-line size. Hardware performs this non-aligned fetch if doing so results in the next descriptor fetch being aligned on a cache-line boundary. This enables the descriptor fetch mechanism to be more efficient in the cases where it has fallen behind software.



All fetch decisions are based on the number of descriptors available and do not take into account any split of the transaction due to bus access limitations.

7.1.4.4 Receive Descriptor Write-back

Processors have cache-line sizes that are larger than the receive descriptor size (16 bytes). Consequently, writing back descriptor information for each received packet would cause expensive partial cache-line updates. A receive descriptor packing mechanism minimizes the occurrence of partial line write-backs.

To maximize memory efficiency, receive descriptors are packed together and written as a cache-line whenever possible. Descriptors write-backs accumulate and are opportunistically written out in cache line-oriented chunks, under the following scenarios:

- $RXDCTL[n].WTHRESH$ descriptors have been used (the specified maximum threshold of unwritten used descriptors has been reached).
- The receive timer expires ($EITR$) - in this case all descriptors are flushed ignoring any cache-line boundaries.
- Explicit software flush ($RXDCTL.SWFLS$).
- Dynamic packets - if at least one of the descriptors that are waiting for write-back are classified as packets requiring immediate notification the entire queue is flushed out.

When the number of descriptors specified by $RXDCTL[n].WTHRESH$ have been used, they are written back regardless of cache-line alignment. It is therefore recommended that $RXDCTL[n].WTHRESH$ be a multiple of cache-line size. When the receive timer ($EITR$) expires, all used descriptors are forced to be written back prior to initiating the interrupt, for consistency. Software might explicitly flush accumulated descriptors by writing the $RXDCTL[n]$ register with the $SWFLS$ bit set.

When the I210 does a partial cache-line write-back, it attempts to recover to cache-line alignment on the next write-back.

For applications where the latency of received packets is more important than the bus efficiency and the CPU utilization, an $EITR$ value of zero can be used. In this case, each receive descriptor are written to the host immediately. If $RXDCTL[n].WTHRESH$ equals zero, then each descriptor are written back separately; otherwise, write back of descriptors can be coalesced if descriptor accumulates in the internal descriptor ring due to bandwidth constrains.

All write-back decisions are based on the number of descriptors available and do not take into account any split of the transaction due to bus access limitations.

7.1.4.5 Receive Descriptor Ring Structure

Figure 7-7 shows the structure of each of the 4 receive descriptor rings. Hardware maintains 4 circular queues of descriptors and writes back used descriptors just prior to advancing the head pointer(s). Head and tail pointers wrap back to base when size descriptors have been processed.

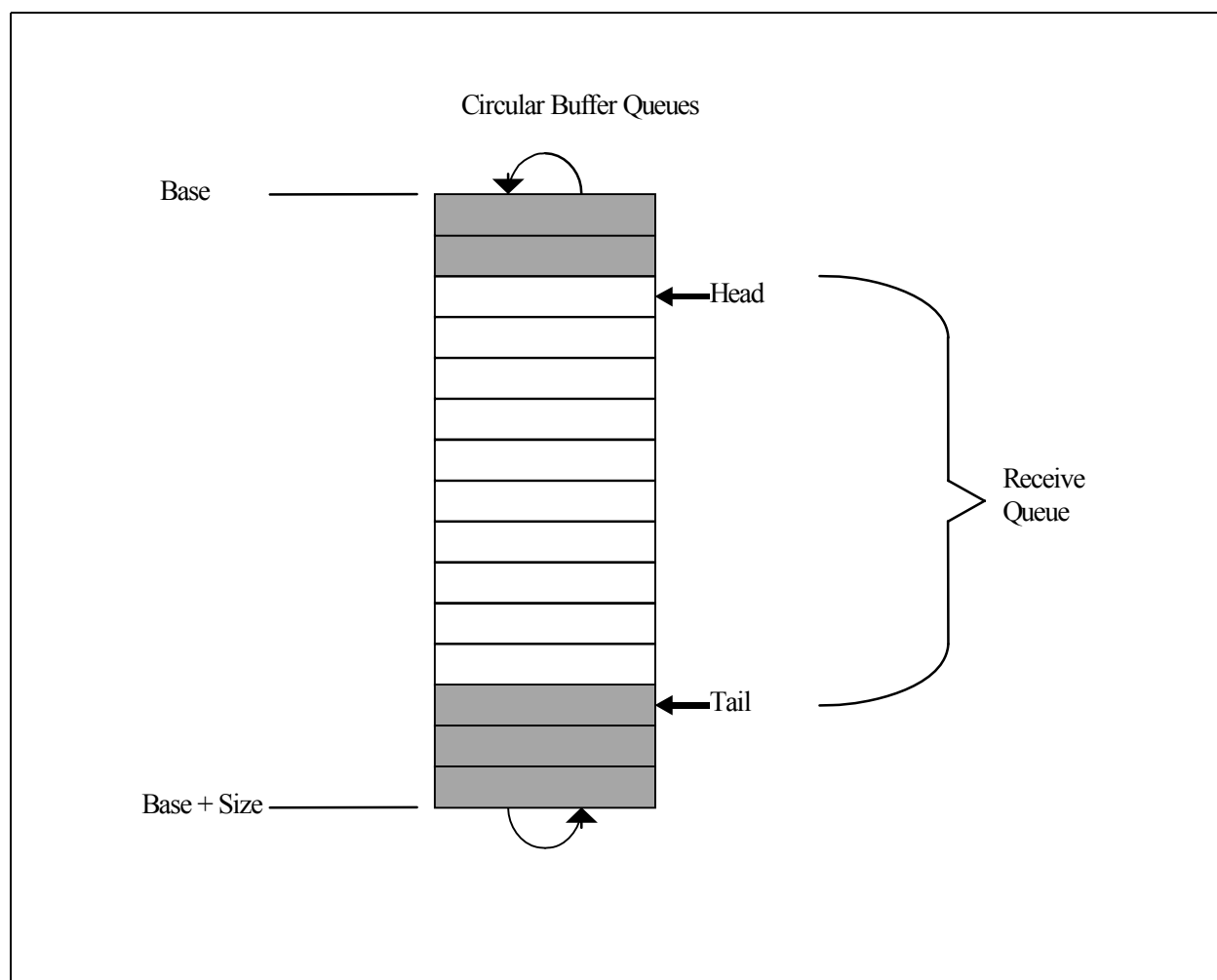


Figure 7-7. Receive Descriptor Ring Structure

Software inserts receive descriptors by advancing the tail pointer(s) to refer to the address of the entry just beyond the last valid descriptor. This is accomplished by writing the descriptor tail register(s) with the offset of the entry beyond the last valid descriptor. The hardware adjusts its internal tail pointer(s) accordingly. As packets arrive, they are stored in memory and the head pointer(s) is incremented by hardware. When the head pointer(s) is equal to the tail pointer(s), the queue(s) is empty. Hardware stops storing packets in system memory until software advances the tail pointer(s), making more receive buffers available.

The receive descriptor head and tail pointers reference to 16-byte blocks of memory. Shaded boxes in [Figure 7-7](#) represent descriptors that have stored incoming packets but have not yet been recognized by software. Software can determine if a receive buffer is valid by reading the descriptors in memory. Any descriptor with a non-zero DD value has been processed by the hardware and is ready to be handled by the software.



Note: The head pointer points to the next descriptor that is written back. After the descriptor write-back operation completes, this pointer is incremented by the number of descriptors written back. Hardware owns all descriptors between [head... tail]. Any descriptor not in this range is owned by software.

The receive descriptor rings are described by the following registers:

- Receive Descriptor Base Address (*RDBA3* to *RDBA0*) register:
This register indicates the start of the descriptor ring buffer. This 64-bit address is aligned on a 16-byte boundary and is stored in two consecutive 32-bit registers. Note that hardware ignores the lower 4 bits.
- Receive Descriptor Length (*RDLEN3* to *RDLEN0*) registers:
This register determines the number of bytes allocated to the circular buffer. This value must be a multiple of 128 (the maximum cache-line size). Since each descriptor is 16 bytes in length, the total number of receive descriptors is always a multiple of eight.
- Receive Descriptor Head (*RDH3* to *RDH0*) registers:
This register holds a value that is an offset from the base and indicates the in-progress descriptor. There can be up to 64 KB, 8 KB descriptors in the circular buffer. Hardware maintains a shadow copy that includes those descriptors completed but not yet stored in memory.
- Receive Descriptor Tail (*RDT3* to *RDT0*) registers:
This register holds a value that is an offset from the base and identifies the location beyond the last descriptor hardware can process. This is the location where software writes the first new descriptor.

If software statically allocates buffers, uses legacy receive descriptors, and uses memory read to check for completed descriptors, it has to zero the status byte in the descriptor before bumping the tail pointer to make it ready for reuse by hardware. Zeroing the status byte is not a hardware requirement but is necessary for performing an in-memory scan.

All the registers controlling the descriptor rings behavior should be set before receive is enabled, apart from the tail registers that are used during the regular flow of data.

7.1.4.5.1 Low Receive Descriptors Threshold

As described above, the size of the receive queues is measured by the number of receive descriptors. During run time the software processes completed descriptors and then increments the Receive Descriptor Tail registers (*RDT*). At the same time, hardware might post new packets received from the LAN incrementing the Receive Descriptor Head registers (*RDH*) for each used descriptor.

The number of usable (free) descriptors for the hardware is the distance between Tail and Head registers. When the Tail reaches the Head, there are no free descriptors and further packets might be either dropped or block the receive FIFO. In order to avoid this behavior, the I210 might generate a low latency interrupt (associated with the relevant receive queue) once the amount of free descriptors is less or equal than the threshold. The threshold is defined in 16 descriptors granularity per queue in the *SRRCTL[n].RDMTS* field.

7.1.5 Header Splitting and Replication

7.1.5.1 Purpose

This feature consists of splitting or replicating packet's header to a different memory space. This helps the host to fetch headers only for processing: headers are replicated through a regular snoop transaction in order to be processed by the host CPU. It is recommended to perform this transaction with the DCA feature enabled (see [Section 8.13](#)) or in conjunction with a software-prefetch.



The packet (header and payload) is stored in memory through a (optionally) non-snoop transaction. Later, a transaction moves the payload from the software device driver buffer to application memory or it is moved using a normal memory copy operation.

The I210 supports header splitting in several modes:

- Legacy mode: legacy descriptors are used; headers and payloads are not split.
- Advanced mode, no split: advanced descriptors are in use; header and payload are not split.
- Advanced mode, split: advanced descriptors are in use; header and payload are split to different buffers. If the packet cannot be split, only the packet buffer is used.
- Advanced mode, replication: advanced descriptors are in use; header is replicated in a separate buffer and also in a payload buffer.
- Advanced mode, replication, conditioned by packet size: advanced descriptors are in use; replication is performed only if the packet is larger than the header buffer size.

7.1.5.2 Description

In [Figure 7-8](#) and [Figure 7-9](#), the header splitting and header replication modes are shown.

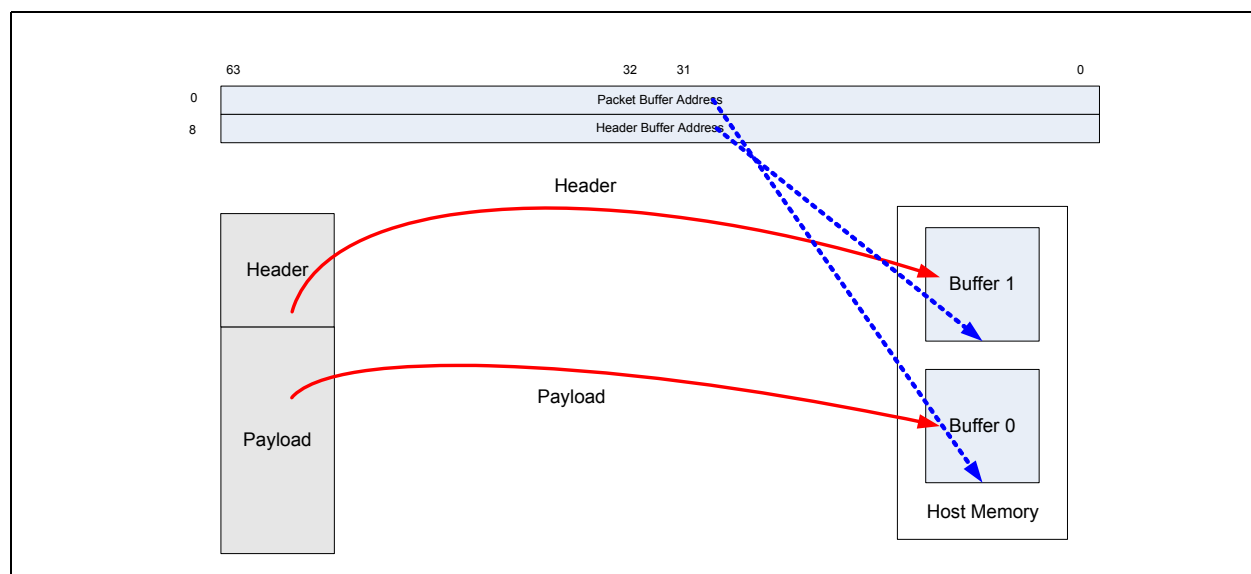


Figure 7-8. Header Splitting

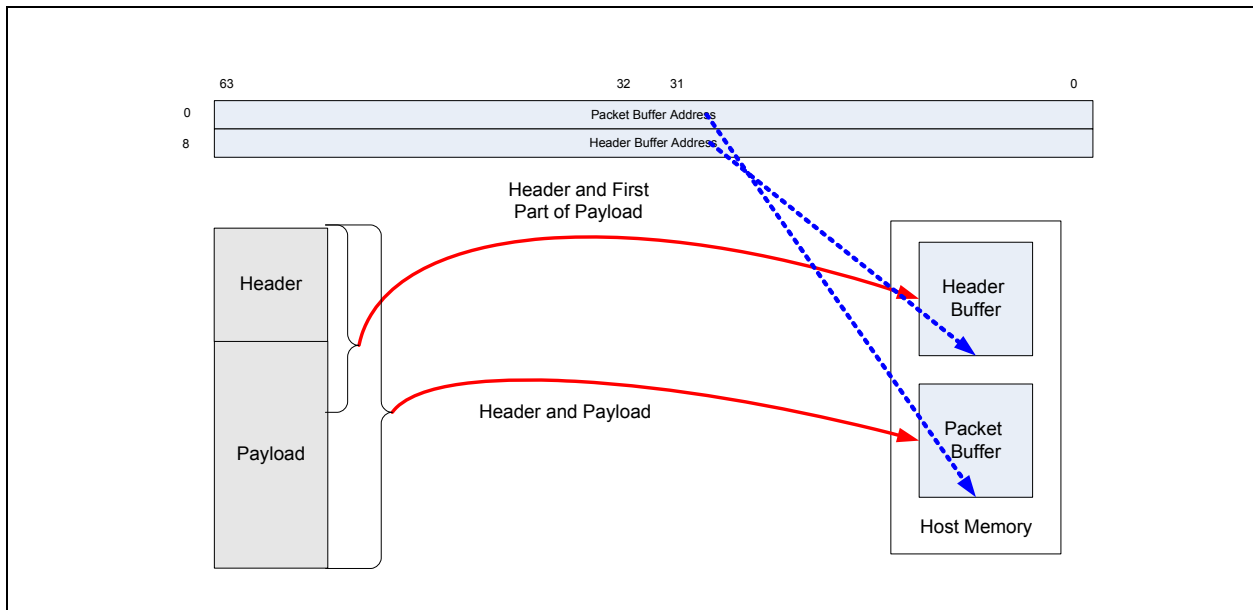


Figure 7-9. Header Replication

The physical address of each buffer is written in the *Buffer Addresses* fields. The sizes of these buffers are statically defined by *BSIZEPACKET* and *BSIZEHEADER* fields in the *SRRCTL[n]* registers.

The packet buffer address includes the address of the buffer assigned to the replicated packet, including header and data payload portions of the received packet. In the case of a split header, only the payload is included.

The header buffer address includes the address of the buffer that contains the header information. The receive DMA module stores the header portion of the received packets into this buffer.

The I210 uses the packet replication or splitting feature when the *SRRCTL[n].DESCTYPE* is larger than one. The software device driver must also program the buffer sizes in the *SRRCTL[n]* registers.

When header split is selected, the packet is split only on selected types of packets. A bit exists for each option in *PSRTYPE[n]* registers so several options can be used in conjunction with them. If one or more bits are set, the splitting is performed for the corresponding packet type. See [Appendix A.1](#) for details on the possible headers type supported).

[Table 7-16](#) lists the behavior of the I210 in the different modes.

Table 7-16. I210 Split/Replicated Header Behavior

| DESCTYPE | Condition | SPH | HBO | PKT_LEN | HDR_LEN | Header and Payload DMA |
|----------|--------------------------------|-----|-----|---|--------------------------|---|
| Split | 1. Header can't be decoded | 0b | 0b | Min(Packet length, <i>BSIZEPACKET</i>) | N/A | Header + Payload ⇒ Packet buffer |
| | 2. Header ≤ <i>BSIZEHEADER</i> | 1b | 0b | Min(Payload length, <i>BSIZEPACKET</i>) ¹ | Header size | Header ⇒ Header buffer Payload ⇒ Packet buffer |
| | 3. Header > <i>BSIZEHEADER</i> | 1b | 1b | Min(Packet length, <i>BSIZEPACKET</i>) | Header size ² | Header + Payload ⇒ Packet buffer |



Table 7-16. I210 Split/Replicated Header Behavior

| DESCTYPE | Condition | SPH | HBO | PKT_LEN | HDR_LEN | Header and Payload DMA |
|-----------------------------|--------------------------------|-----------------|--------------------|---------------------------------|-------------|---|
| Replicate | 1. Header can't be decoded | 0b ³ | 0b | Min(Packet length, BSIZEPACKET) | N/A | (Header + Payload) (partial ⁵) ⇒ Header buffer Header + Payload ⇒ Packet buffer |
| | 2. Packet length ≤ BSIZEHEADER | 1b ³ | 0b | Min(Packet length, BSIZEPACKET) | Header size | Header + Payload ⇒ Header buffer Header + Payload ⇒ Packet buffer |
| | 3. Packet length > BSIZEHEADER | 1b ³ | 0b/1b ⁴ | Min(Packet length, BSIZEPACKET) | Header size | Header + Payload (partial ⁵) ⇒ Header buffer Header + Payload ⇒ Packet buffer |
| Replicate Large Packet only | 1. Header can't be decoded | 0b ³ | 0b | Min(Packet length, BSIZEPACKET) | N/A | (Header + Payload) (partial ⁵) ⇒ Header buffer Header + Payload ⇒ Packet buffer |
| | 2. Packet length ≤ BSIZEHEADER | 1b ³ | 0b | Packet length | Header size | Header + Payload ⇒ Header buffer |
| | 2. Packet length > BSIZEHEADER | 1b ³ | 0b/1b ⁵ | Min(Packet length, BSIZEPACKET) | Header size | (Header + Payload) (partial ⁵) ⇒ Header buffer Header + Payload ⇒ Packet buffer |

1. In a header only packet (such as TCP ACK packet), the PKT_LEN is zero.
2. The HDR_LEN doesn't reflect the actual data size stored in the Header buffer. It reflects the header size determined by the parser. When timestamp in packet is enabled header size reflects the additional 16 bytes of the timestamp.
3. In replicate mode if SPH = 0b due to no match to any of the headers selected in the PSRTYPE[n] register, then the header size is not relevant. In any case, even if SPH = 1b due to match to one of the headers selected in the PSRTYPE[n] register, the HDR_LEN doesn't reflect the actual data size stored in the header buffer.
4. HBO is 1b if the header size is bigger than BSIZEHEADER and zero otherwise.
5. Partial means up to BSIZEHEADER.

Software Notes:

- If SRRCTL[n].NSE is set, all buffers' addresses in a packet descriptor must be word aligned.
- Packet header can't span across buffers, therefore, the size of the header buffer must be larger than any expected header size. Otherwise, only the part of the header fitting the header buffer is replicated. In the case of header split mode (SRRCTL[n].DESCTYPE = 010b), a packet with a header larger than the header buffer is not split.
- Section A.1 describes the details of the split/replicate conditions for different types of headers according to the settings of the PSRTYPE register values.

7.1.6 Receive Packet Timestamp in Buffer

The I210 supports adding an optional tailored header before the MAC header of the packet in the receive buffer. The 64 MSB bits of the 128 bit tailored header include a timestamp composed of the packet reception time measured in the SYSTIML (Low DW) and SYSTIMH (High DW) registers (See Section 7.8.3.1 for further information on SYSTIML/H operation). The 64 LSB bits of the tailored header are reserved.

The timestamp information is placed in Host order (Little Endian) format as listed in Table 7-17.

Table 7-17. Timestamp Layout in Buffer

| | | | | | | | | |
|----------------|----------------|----------------|----------------|---------|---------|---------|-----------------|-----------------|
| 0 | 3 | 4 | 7 | 8 | 11 | 12 | 15 | 16... |
| Reserved (0x0) | Reserved (0x0) | Reserved (0x0) | Reserved (0x0) | SYSTIML | SYSTIMH | SYSTIMH | Received Packet | Received Packet |



The Timestamp in Buffer is enabled by the following settings:

- The 1588 logic must not be disabled by the *TSAUXC.Disable systime* flag (it should be cleared)
- The *RXPBSIZE.cfg_ts_en* flag should be set, allocating the extra 16 bytes in the packet buffer for the received packets
- Specific setting of the relevant receive queues by the *SRRCTL[n]* registers
 - The *Timestamp* flag should be set, instructing the hardware to post the timestamp in the packet buffer
 - If the *DESCTYPE* is set to any of the header split modes then the *BHEADER* field should be set to a larger header buffer than 128 bytes

Packets are received to the queue are time stamped if they meet the criteria listed in [Table 7-70](#) within [Section 7.9.1](#). Meeting these cases the packet is reported as follow:

- Place a 64 bit timestamp, indicating the time a packet was received by the MAC, at the beginning of the receive buffer before the received packet.
- Set the *TSIP* bit in the *RDESC.STATUS* field of the last receive descriptor.
- Update the *RDESC.Packet Type* field in the last receive descriptor. Value in this field enables identifying that this is a PTP (Precision Time Protocol) packet (this indication is only relevant for L2 packets).
- Update the *RDESC.HDR_LEN* and *RDESC.PKT_LEN* values to include size of timestamp.

Software driver should take into account the additional size of the timestamp when preparing the receive descriptors for the relevant queue.

While the receive path is disabled, the Timestamp in Buffer mode can be disabled by clearing *RXPBSIZE.cfg_ts_en* flag and issuing a Port Software Reset event (*CTRL.RST*).

7.1.7 Receive Packet Checksum and SCTP CRC Offloading

The I210 supports the off loading of four receive checksum calculations: packet checksum, fragment payload checksum, the IPv4 header checksum, and the TCP/UDP checksum. In addition, SCTP CRC32 calculation is supported as described in [Section 7.1.7.3](#)

The packet checksum and the fragment payload checksum shares the same location as the RSS field and is reported in the receive descriptor when the *RXCSUM.PCSD* bit is cleared. If the *RXCSUM.IPPCSE* is set, the Packet checksum is aimed to accelerate checksum calculation of fragmented UDP packets. Please refer to [Section 7.1.7.2](#) for a detailed explanation. If *RXCSUM.IPPCSE* is cleared (the default value), the checksum calculation that is reported in the Rx Packet checksum field is the unadjusted 16-bit one's complement of the packet.

The packet checksum is the 16-bit one's complement of the received packet, starting from the byte indicated by *RXCSUM.PCSS* (zero corresponds to the first byte of the packet), after stripping. For packets with a VLAN header, the packet checksum includes the header if VLAN striping is not enabled by the *CTRL.VME*. If a VLAN header strip is enabled, the packet checksum and the starting offset of the packet checksum exclude the VLAN header due to masking of VLAN header. For example, for an Ethernet II frame encapsulated as an 802.3ac VLAN packet and *CTRL.VME* is set and with *RXCSUM.PCSS* set to 14, the packet checksum would include the entire encapsulated frame, excluding the 14-byte Ethernet header (DA, SA, type/length) and the 4-byte q-tag. The packet checksum does not include the Ethernet CRC if the *RCTL.SECRC* bit is set.

Software must make the required offsetting computation (to remove the bytes that should not have been included and to include the pseudo-header) prior to comparing the packet checksum against the TCP checksum stored in the packet.



Note: The *RXCSUM.PCSS* value should point to a field that is before or equal to the IP header start. Otherwise the IP header checksum or TCP/UDP checksum is not calculated correctly.

For supported packet/frame types, the entire checksum calculation can be off loaded to the I210. If *RXCSUM.IPOFLD* is set to 1b, the I210 calculates the IPv4 checksum and indicates a pass/fail indication to software via the IPv4 *Checksum Error* bit (*RDESC.IPE*) in the *Error* field of the receive descriptor. Similarly, if *RXCSUM.TUOFLD* is set to 1b, the I210 calculates the TCP or UDP checksum and indicates a pass/fail condition to software via the TCP/UDP *Checksum Error* bit (*RDESC.L4E*). These error bits are valid when the respective status bits indicate the checksum was calculated for the packet (*RDESC.IPCS* and *RDESC.L4CS*, respectively).

If neither *RXCSUM.IPOFLD* nor *RXCSUM.TUOFLD* are set, the *Checksum Error* bits (*IPE* and *L4E*) are 0b for all packets.

Supported frame types:

- Ethernet II
- Ethernet SNAP

Table 7-18. Supported Receive Checksum Capabilities

| Packet Type | Hardware IP Checksum Calculation | Hardware TCP/UDP Checksum Calculation | Hardware SCTP CRC Calculation |
|--|--|---------------------------------------|-------------------------------|
| IPv4 packets. | Yes | Yes | Yes |
| IPv6 packets. | No (n/a) | Yes | Yes |
| IPv6 packet with next header options: <ul style="list-style-type: none"> • Hop-by-hop options • Destinations options (without Home option) • Destinations options (with Home option) • Routing (with Segments Left zero) • Routing (with Segments Left > zero) • Fragment | No (n/a) No (n/a) No (n/a) No (n/a) No (n/a) | Yes Yes No Yes No No | Yes |
| IPv4 tunnels: <ul style="list-style-type: none"> • IPv4 packet in an IPv4 tunnel. • IPv6 packet in an IPv4 tunnel. | Yes (External - as if L3 only) Yes (IPv4) | No Yes ¹ | No Yes |
| IPv6 tunnels: <ul style="list-style-type: none"> • IPv4 packet in an IPv6 tunnel. • IPv6 packet in an IPv6 tunnel. | No No | No No | No No |
| Packet is an IPv4 fragment. | Yes | No ² | No |
| Packet is greater than 1518, 1522 or 1526 bytes (LPE=1b) ³ . | Yes | Yes | Yes |
| Packet has 802.3ac tag. | Yes | Yes | Yes |
| IPv4 packet has IP options (IP header is longer than 20 bytes). | Yes | Yes | Yes |
| Packet has TCP or UDP options. | Yes | Yes | Yes |
| IP header's protocol field contains a protocol number other than TCP or UDP or SCTP. | Yes | No | No |

1. The IPv6 header portion can include supported extension headers as described in the "IPv6 packet with next header options" row.
 2. UDP checksum of first fragment is supported.
 3. Depends on number of VLAN tags.



7.1.7.1 Filters Details

Table 7-18 lists general details about what packets are processed. In more detail, the packets are passed through a series of filters to determine if a receive checksum is calculated:

7.1.7.1.1 MAC Address Filter

This filter checks the MAC destination address to be sure it is valid (such as IA match, broadcast, multicast, etc.). The receive configuration settings determine which MAC addresses are accepted. See the various receive control configuration registers such as *RCTL* (*RCTL.UPE*, *RCTL.MPE*, *RCTL.BAM*), *MTA*, *RAL*, and *RAH*.

7.1.7.1.2 SNAP/VLAN Filter

This filter checks the next headers looking for an IP header. It is capable of decoding Ethernet II, Ethernet SNAP, and IEEE 802.3ac headers. It skips past any of these intermediate headers and looks for the IP header. The receive configuration settings determine which next headers are accepted. See the various receive control configuration registers such as *RCTL* (*RCTL.VFE*), *VET*, and *VFTA*.

7.1.7.1.3 IPv4 Filter

This filter checks for valid IPv4 headers. The version field is checked for a correct value (4).

IPv4 headers are accepted if they are any size greater than or equal to five (Dwords). If the IPv4 header is properly decoded, the IP checksum is checked for validity. The *RXCSUM.IPOFLD* bit must be set for this filter to pass.

7.1.7.1.4 IPv6 Filter

This filter checks for valid IPv6 headers, which are a fixed size and have no checksum. The IPv6 extension headers accepted are: hop-by-hop, destination options, and routing. The maximum size next header accepted is 16 Dwords (64 bytes).

7.1.7.1.5 IPv6 Extension Headers

IPv4 and TCP provide header lengths, which enable hardware to easily navigate through these headers on packet reception for calculating checksum and CRCs, etc. For receiving IPv6 packets; however, there is no IP header length to help hardware find the packet's ULP (such as TCP or UDP) header. One or more IPv6 extension headers might exist in a packet between the basic IPv6 header and the ULP header. The hardware must skip over these extension headers to calculate the TCP or UDP checksum for received packets.

The IPv6 header length without extensions is 40 bytes. The IPv6 field *Next Header Type* indicates what type of header follows the IPv6 header at offset 40. It might be an upper layer protocol header such as TCP or UDP (*Next Header Type* of 6 or 17, respectively), or it might indicate that an extension header follows. The final extension header indicates with its *Next Header Type* field the type of ULP header for the packet.

IPv6 extension headers have a specified order. However, destinations must be able to process these headers in any order. Also, IPv6 (or IPv4) might be tunneled using IPv6, and thus another IPv6 (or IPv4) header and potentially its extension headers might be found after the extension headers.



The IPv4 *Next Header Type* is at byte offset nine. In IPv6, the first *Next Header Type* is at byte offset six.

All IPv6 extension headers have the *Next Header Type* in their first eight bits. Most have the length in the second eight bits (Offset Byte[1]) as listed in Table 7-19:

Table 7-19. Typical IPv6 Extended Header Format (Traditional Representation)

| | | |
|------------------|----------------|---------------------------------|
| 0 1 2 3 4 5 6 7 | 8 9 0 12 3 4 5 | 6 7 8 9 0 1 2 3 4 5 6 7 8 9 0 1 |
| Next Header Type | Length | |

Table 7-20 lists the encoding of the *Next Header Type* field and information on determining each header type's length. The IPv6 extension headers are not otherwise processed by the I210 so their details are not covered here.

Table 7-20. Header Type Encoding and Lengths

| Header | Next Header Type | Header Length (Units are Bytes Unless Otherwise Specified) |
|--------------------------------|------------------|--|
| IPv6 | 6 | Always 40 bytes |
| IPv4 | 4 | Offset Bits[7:4] Unit = 4 bytes |
| TCP | 6 | Offset Byte[12].Bits[7:4] Unit = 4 bytes |
| UDP | 17 | Always 8 bytes |
| Hop by Hop Options | 0 (Note 1) | 8+Offset Byte[1] |
| Destination Options | 60 | 8+Offset Byte[1] |
| Routing | 43 | 8+Offset Byte[1] |
| Fragment | 44 | Always 8 bytes |
| Authentication | 51 | 8+4*(Offset Byte[1]) |
| Encapsulating Security Payload | 50 | Note 3 |
| No Next Header | 59 | Note 2 |

Notes:

1. Hop-by-hop options header is only found in the first *Next Header Type* of an IPv6 header.
2. When a *No Next Header* type is encountered, the rest of the packet should not be processed.
3. Encapsulated security payload - the I210 cannot offload packets with this header type.

Note that the I210 hardware acceleration does not support all IPv6 extension header types (refer to Table 7-18).

7.1.7.1.6 UDP/TCP Filter

This filter checks for a valid UDP or TCP header. The prototype next header values are 0x11 and 0x06, respectively. The *RXCSUM.TUOFLD* bit must be set for this filter to pass.



7.1.7.2 Receive UDP Fragmentation Checksum

The I210 might provide receive fragmented UDP checksum offload. The I210 should be configured in the following manner to enable this mode:

The *RXCSUM.PCSD* bit should be cleared. The *Fragment Checksum* and *IP Identification* fields are mutually exclusive with the RSS hash. When the *RXCSUM.PCSD* bit is cleared, *Fragment Checksum* and *IP Identification* are active instead of RSS hash.

The *RXCSUM.IPPCSE* bit should be set. This field enables the IP payload checksum enable that is designed for the fragmented UDP checksum.

The *RXCSUM.PCSS* field must be zero. The packet checksum start should be zero to enable auto-start of the checksum calculation. [Table 7-21](#) lists the exact description of the checksum calculation.

[Table 7-21](#) also lists the outcome descriptor fields for the following incoming packets types:

Table 7-21. Descriptor Fields

| Incoming Packet Type | Fragment Checksum (if RXCSUM.PCSD is cleared) | UDPV | UDPCS / L4CS / L4I |
|--|---|--|------------------------------|
| Non IP Packet | Packet checksum | 0b | 0b / 0b /0b |
| IPv6 Packet | Packet checksum | 0b | Depends on transport header. |
| Non fragmented IPv4 packet | Packet checksum | 0b | Depends on transport header. |
| Fragmented IPv4, when not first fragment | The unadjusted one’s complement checksum of the IP payload. | 0b | 1b / 0b / 0b |
| Fragmented IPv4, for the first fragment | Same as above | 1 if the UDP header checksum is valid (not zero) | 1b / 0b / 0b |

Note: When the software device driver computes the 16-bit ones complement, the sum on the incoming packets of the UDP fragments, it should expect a value of 0xFFFF. Refer to [Section 7.1.7](#) for supported packet formats.

7.1.7.3 SCTP Offload

If a receive packet is identified as SCTP, the I210 checks the CRC32 checksum of this packet if the *RXCSUM.CRCOFL* bit is set to 1b and identifies this packet as SCTP. Software is notified on the execution of the CRC check via the *L4I* bit in the *Extended Status* field of the Rx descriptor and is notified on detection of a CRC error via the *L4E* bit in the *Extended Error* field of the RX descriptor. The detection of a SCTP packet is indicated via the *SCTP* bit in the *packet Type* field of the Rx descriptor. The following SCTP packet format is expected to enable support of the SCTP CRC check:



Table 7-22. SCTP Header

| | | | |
|------------------|----------------------|----------------------|----------------------|
| 0 1 2 3 4 5 6 7 | 1 8 9 0 1 2 3 4 5 | 2 6 7 8 9 0 1 2 3 | 3 4 5 6 7 8 9 0 1 |
| Source Port | | Destination Port | |
| Verification Tag | | | |
| Checksum | | | |
| Chunks 1...n | | | |

7.2 Transmit Functionality

7.2.1 Packet Transmission

Output packets to be transmitted are created using pointer-length pairs constituting a descriptor chain (descriptor based transmission). Software forms transmit packets by assembling the list of pointer-length pairs, storing this information in one of the transmit descriptor rings, and then updating the adequate on-chip transmit tail pointer. The transmit descriptors and buffers are stored in host memory. Hardware typically transmits the packet only after it has completely fetched all the packet data from host memory and stored it into the on-chip transmit FIFO (store and forward architecture). This permits TCP or UDP checksum computation and avoids problems with PCIe under-runs. Another transmit feature of the I210 is TCP/UDP segmentation. The hardware has the capability to perform packet segmentation on large data buffers offloaded from the Network Stack. This feature is discussed in detail in [Section 7.2.4](#).

In addition, the I210 supports SCTP offloading for transmit requests. See section [Section 7.2.5.3](#) for details about SCTP.

[Table 1-11](#) provides a high level description of all data/control transformation steps needed for sending Ethernet packets to the line.

7.2.1.1 Transmit Data Storage

Data is stored in buffers pointed to by the descriptors. The data can be aligned to arbitrary byte boundary with the maximum size per descriptor limited only to the maximum allowed packet size (9728 bytes). A packet typically consists of two (or more) buffers, one (or more) for the header and one for the actual data. Each buffer is referenced by a different descriptor. Some software implementations might copy the header(s) and packet data into one buffer and use only one descriptor per transmitted packet.

7.2.1.2 On-Chip Transmit Buffers

The I210 allocates by default a 24 KB on-chip packet buffer. The buffers are used to store packets until they are transmitted on the line. Actual on-chip transmit buffer allocated is controlled by the *TXPBSIZE* register.

7.2.1.3 On-Chip descriptor Buffers

The I210 contains a 24 descriptor cache for each transmit queue used to reduce the latency of packet processing and to optimize the usage of the PCIe bandwidth by fetching and writing back descriptors in bursts. The fetch and write-back algorithm are described in [Section 7.2.2.5](#) and [Section 7.2.2.6](#).



7.2.1.4 Transmit Contexts

The I210 provides hardware checksum offload and TCP/UDP segmentation facilities. These features enable TCP and UDP packet types to be handled more efficiently by performing additional work in hardware, thus reducing the software overhead associated with preparing these packets for transmission. Part of the parameters used by these features is handled through context descriptors.

A context descriptor refers to a set of device registers loaded or accessed as a group to provide a particular function. The I210 supports 2x4 context descriptor sets (two per queue) on-chip. The transmit queues can contain transmit data descriptors (similar to the receive queue) as well as transmit context descriptors.

The contexts are queue specific and one context cannot be reused from one queue to another. This differs from the method used in previous devices that supported a pool of contexts to be shared between queues.

A transmit context descriptor differs from a data descriptor as it does not point to packet data. Instead, this descriptor provides the ability to write to the on-chip context register sets that support the transmit checksum offloading and the segmentation features of the I210.

The I210 supports one type of transmit context. This on-chip context is written with a transmit context descriptor DTYP=2 and is always used as context for transmit data descriptor DTYP=3.

The *IDX* field contains an index to one of the two queue contexts. Software must track what context is stored in each *IDX* location.

Each advanced data descriptor that uses any of the advanced offloading features must refer to a context.

Contexts can be initialized with a transmit context descriptor and then used for a series of related transmit data descriptors. The context, for example, defines the checksum and offload capabilities for a given type of TCP/IP flow. All packets of this type can be sent using this context.

Software is responsible for ensuring that a context is only overwritten when it is no longer needed. Hardware does not include any logic to manage the on-chip contexts; it is completely up to software to populate and then use the on-chip context table.

Note: Software should not queue more than two context descriptors in sequence without an intervening data descriptor, to achieve adequate performance.

Each context defines information about the packet sent including the total size of the MAC header (*TDESC.MACLEN*), the maximum amount of payload data that should be included in each packet (*TDESC.MSS*), UDP or TCP header length (*TDESC.LALEN*), IP header length (*TDESC.IPLEN*), and information about what type of protocol (TCP, IP, etc.) is used. Other than TCP, IP (*TDESC.TUCMD*), most information is specific to the segmentation capability.

Because there are dedicated on-chip resources for contexts, they remain constant until they are modified by another context descriptor. This means that a context can be used for multiple packets (or multiple segmentation blocks) unless a new context is loaded prior to each new packet. Depending on the environment, it might be unnecessary to load a new context for each packet. For example, if most traffic generated from a given node is standard TCP frames, this context could be setup once and used for many frames. Only when some other frame type is required would a new context need to be loaded by software. This new context could use a different index or the same index.



This same logic can also be applied to the TCP/UDP segmentation scenario, though the environment is a more restrictive one. In this scenario, the host is commonly asked to send messages of the same type, TCP/IP for instance, and these messages also have the same Maximum Segment Size (MSS). In this instance, the same context could be used for multiple TCP messages that require hardware segmentation.

7.2.2 Transmit Descriptors

The I210 supports legacy descriptors and the I210 advanced descriptors.

Legacy descriptors are intended to support legacy drivers to enable fast platform power up and to facilitate debug.

In addition, the I210 supports two types of advanced transmit descriptors:

1. Advanced Transmit Context Descriptor, *DTYP* = 0010b.
2. Advanced Transmit Data Descriptor, *DTYP* = 0011b.

Note: *DTYP* values 0000b and 0001b are reserved.

The transmit data descriptor (both legacy and advanced) points to a block of packet data to be transmitted. The advanced transmit context descriptor does not point to packet data. It contains control/context information that is loaded into on-chip registers that affect the processing of packets for transmission. The following sections describe the descriptor formats.

7.2.2.1 Legacy Transmit Descriptor Format

Legacy descriptors are identified by having bit 29 of the descriptor (*TDESC.DEXT*) set to 0b. In this case, the descriptor format is defined as shown in Table 7-23. Note that the address and length must be supplied by software. Also note that bits in the command byte are optional, as is the CSO field.

Table 7-23. Transmit Descriptor (TDESC) Fetch Layout - Legacy Mode

| | 63 | 48 | 47 | 40 | 39 | 36 | 35 | 32 | 31 | 24 | 23 | 16 | 15 | 0 |
|---|-----------------------|----|----------|----|----------|----|-----|----|-----|----|-----|----|--------|---|
| 0 | Buffer Address [63:0] | | | | | | | | | | | | | |
| 8 | VLAN | | Reserved | | Reserved | | STA | | CMD | | CSO | | Length | |

Table 7-24. Transmit Descriptor (TDESC) Write-Back Layout - Legacy Mode

| | 63 | 48 | 47 | 40 | 39 | 36 | 35 | 32 | 31 | 24 | 23 | 16 | 15 | 0 |
|---|----------|----|----------|----|----------|----|-----|----------|-----|----|-----|----|--------|---|
| 0 | Reserved | | | | | | | Reserved | | | | | | |
| 8 | VLAN | | Reserved | | Reserved | | STA | | CMD | | CSO | | Length | |

Note: For frames that span multiple descriptors, the *VLAN*, *CSO*, *CMD.VLE*, *CMD.IC*, and *CMD.IFCS* are valid only in the first descriptors and are ignored in the subsequent ones.

7.2.2.1.1 Buffer Address (64)

Physical address of a data buffer in host memory that contains a portion of a transmit packet.



7.2.2.1.2 Length

Length (*TDESC.LENGTH*) specifies the length in bytes to be fetched from the buffer address provided.

The maximum length associated with any single legacy descriptor is 9728 bytes.

Descriptor length(s) might be limited by the size of the transmit FIFO. All buffers comprising a single packet must be able to be stored simultaneously in the transmit FIFO. For any individual packet, the sum of the individual descriptors' lengths must be below 9728 bytes.

Note: The maximum allowable packet size for transmits can change, based on the value written to the *DMA TX Max Allowable packet size (DTXMXPKTSZ)* register.

Note: Descriptors with zero length (null descriptors) transfer no data. Null descriptors can only appear between packets and must have their *EOP* bits set.

Note: If the *TCTL.PSP* bit is set, the total length of the packet transmitted, not including FCS should be at least 17 bytes. If bit is cleared the total length of the packet transmitted, not including FCS should be at least 60 bytes.

7.2.2.1.3 Checksum Offset and Start - CSO

A *Checksum Offset (TDESC.CSO)* field indicates where, relative to the start of the packet, to insert a TCP checksum if this mode is enabled.

CSO is in a unit of bytes and must be in the range of data provided to the I210 in the descriptors. For short packets that are not padded by software, CSO must be in the range of the unpadded data length, not the eventual padded length (64 bytes).

CSO must be set to the location of TCP checksum in the packet. Checksum calculation is not done if CSO is out of range. This occurs if (CSO > length - 1).

In the case of an 802.1Q header, the offset values depend on the VLAN insertion enable (*VLE*) bit. If it is not set (VLAN tagging included in the packet buffers), the offset values should include the VLAN tagging. If this bit is set (VLAN tagging is taken from the packet descriptor), the offset values should exclude the VLAN tagging.

Note: UDP checksum calculation is not supported by the legacy descriptors. When using legacy descriptors the I210 is not aware of the L4 type of the packet and thus, does not support the translation of a checksum result of 0x0000 to 0xFFFF needed to differentiate between an UDP packet with a checksum of zero and an UDP packet without checksum.

Because the *CSO* field is eight bits wide, it puts a limit on the location of the checksum to 255 bytes from the beginning of the packet.

Hardware adds the checksum to the field at the offset indicated by the *CSO* field. A value of zero corresponds to the first byte in the packet.

Table 7-25. Transmit Command (TDESC.CMD) Layout

| 7 | 6 | 5 | 4 | 3 | 2 | 1 | 0 |
|-----|-----|------|-----|----|----|------|-----|
| RSV | VLE | DEXT | Rsv | RS | IC | IFCS | EOP |

7.2.2.1.4 Command Byte - CMD

The CMD byte stores the applicable command and has the fields shown in [Figure 7-25](#).



- RSV (bit 7) - Reserved
- VLE (bit 6) - VLAN Insertion Enable (See Table 7-26).
- DEXT (bit 5) - Descriptor Extension (0 for legacy mode)
- Reserved (bit 4) - Reserved
- RS (bit 3) - Report Status
- IC (bit 2) - Insert Checksum
- IFCS (bit 1) - Insert FCS
- EOP (bit 0) - End of Packet

VLE: Indicates that the packet is a VLAN packet. For example, hardware should add the VLAN EtherType and an 802.1Q VLAN tag to the packet.

Table 7-26. VLAN Tag Insertion Decision Table

| VLE | Action |
|-----|--|
| 0b | Send generic Ethernet packet. |
| 1b | Send 802.1Q packet; VLAN data comes from the <i>VLAN</i> field of the TX descriptor. |

RS: Signals the hardware to report the status information. This is used by software that does in-memory checks of the transmit descriptors to determine which ones are done. For example, if software queues up 10 packets to transmit, it can set the *RS* bit in the last descriptor of the last packet. If software maintains a list of descriptors with the *RS* bit set, it can look at them to determine if all packets up to (and including) the one with the *RS* bit set have been buffered in the output FIFO. Looking at the status byte and checking the *Descriptor Done (DD)* bit enables this operation. If *DD* is set, the descriptor has been processed. Refer to Table 7-27 for the layout of the status field.

IC: If set, requests hardware to add the checksum of the data from *CSS* to the end of the packet at the offset indicated by the *CSO* field.

IFCS: When set, hardware appends the MAC FCS at the end of the packet. When cleared, software should calculate the FCS for proper CRC check. There are several cases in which software must set IFCS:

- Transmitting a short packet while padding is enabled by the *TCTL.PSP* bit.
- Checksum offload is enabled by the *IC* bit in the *TDESC.COMD*.
- VLAN header insertion enabled by the *VLE* bit in the *TDESC.COMD*.

EOP: When set, indicates this is the last descriptor making up the packet. Note that more than one descriptor can be used to form a packet.

Note: VLE, IFCS, CSO, and IC must be set correctly only in the first descriptor of each packet. In previous silicon generations, some of these bits were required to be set in the last descriptor of a packet.

7.2.2.1.5 Status – STA

Table 7-27. Transmit Status (TDESC.STA) Layout

| 3 | 2 | 1 | 0 |
|----------|---|---|----|
| Reserved | | | DD |



7.2.2.1.6 DD (Bit 0) - Descriptor Done Status

The DD bit provides the transmit status, when *RS* is set in the command: *DD* indicates that the descriptor is done and is written back after the descriptor has been processed.

Note: When head write back is enabled (*TDWBAL[n].Head_WB_En = 1*), there is no write-back of the *DD* bit to the descriptor. When using legacy Tx descriptors, Head writeback should not be enabled (*TDWBAL[n].Head_WB_En = 0*).

7.2.2.1.7 VLAN

The *VLAN* field is used to provide the 802.1Q/802.1ac tagging information. The *VLAN* field is valid only on the first descriptor of each packet when the *VLE* bit is set. The rule for VLAN tag is to use network ordering. The VLAN field is placed in the transmit descriptor in the following manner:

Table 7-28. VLAN Field (TDESC.VLAN) Layout

| | | | | |
|-----|-----|---------|----|---|
| 15 | 13 | 12 | 11 | 0 |
| PRI | CFI | VLAN ID | | |

- VLAN ID - the 12-bit tag indicating the VLAN group of the packet.
- Canonical Form Indication (CFI) - Set to zero for Ethernet packets.
- PRI - indicates the priority of the packet.

Note: The VLAN tag is sent in network order (also called big endian).

7.2.2.2 Advanced Transmit Context Descriptor

Table 7-29. Transmit Context Descriptor (TDESC) Layout - (Type = 0010b)

| | | | | | | | | | |
|----|----------|------------|------|--------|--------|----|---|---|---|
| 63 | 57 | 56 | 32 | 31 | 16 | 15 | 9 | 8 | 0 |
| 0 | Reserved | LaunchTime | VLAN | MACLEN | IPLLEN | | | | |

| | | | | | | | | | | | | | | | | | |
|----|-----|-------|------------------|-----|----------|------|------------------|------|-------|----------|----|----|----|----|---|---|---|
| 63 | 48 | 47 | 40 | 39 | 38 | 36 | 35 | 30 | 29 | 28 | 24 | 23 | 20 | 19 | 9 | 8 | 0 |
| 8 | MSS | L4LEN | RSV ¹ | IDX | Reserved | DEXT | RSV ¹ | DTYP | TUCMD | Reserved | | | | | | | |

1. RSV - Reserved

7.2.2.2.1 IPLLEN (9)

IP header length. If an offload is requested, *IPLLEN* must be greater than or equal to 20 and less than or equal to 511.

7.2.2.2.2 MACLEN (7)

This field indicates the length of the MAC header. When an offload is requested (either *TSE* or *IXSM* or *TXSM* is set), *MACLEN* must be larger than or equal to 14 and less than or equal to 127. This field should include only the part of the L2 header supplied by the software device driver and not the parts added by hardware. [Table 7-30](#) lists the value of *MACLEN* in the different cases.



Table 7-30. MACLEN Values

| SNAP | Regular VLAN | External VLAN | MACLEN |
|------|------------------------|---------------|--------|
| No | By hardware or no VLAN | No | 14 |
| No | By hardware or no VLAN | Yes | 18 |
| No | By software | No | 18 |
| No | By software | Yes | 22 |
| Yes | By hardware or no VLAN | No | 22 |
| Yes | By hardware or no VLAN | Yes | 26 |
| Yes | By software | No | 26 |
| Yes | By software | Yes | 30 |

VLAN (16) - 802.1Q VLAN tag to be inserted in the packet during transmission. This VLAN tag is inserted and needed only when a packet using this context has its *DCMD.VLE* bit set. This field should include the entire 16-bit *VLAN* field including the *CFI* and *Priority* fields as listed in [Table 7-28](#).

Note: The VLAN tag is sent in network order.

7.2.2.2.3 LaunchTime (25)

The LaunchTime field is only used in Qav mode when a queue is configured as SR queue. The LaunchTime value is used to

1. calculate the fetch time - this time defines the time to fetch the packet from the host to the packet buffer, and
2. define the launch time - the time to transmit a packet from the packet buffer.

The LaunchTime is a 25 bit field defined in 32 nsec units (Launch time = LaunchTime * 32). The Launch time is compared against the SYSTIML register ignoring the SYSTIMH value. It means that the Launch time is defined relative to the fraction of a second of the SYSTIM.

- The Launch time is defined as "expired" if it is greater or equal to the SYSTIML.
- The Launch time is defined as "greater" than SYSTIML if it is in the range of [SYSTIML ... SYSTIML + 0.5 sec).
- It is defined as "smaller" than SYSTIML if it is in the range of [SYSTIML - 0.5 sec ... SYSTIML).

Notes: The operations "SYSTIML + 0.5 sec" and "SYSTIML - 0.5 sec" are modulo 1 sec.

For meaningful operation, the Launch time should never be set to larger value than SYSTIML + 0.5sec. Otherwise, the Launch time might be misinterpreted.

The LaunchTime parameter is a relative time to the LaunchOffset parameter in the LAUNCH_OS0 register. So, the actual Launch time equals to 32 * (LaunchOffset + LaunchTime).

7.2.2.2.4 TUCMD (11)

Table 7-31. Transmit Command (TDESC.TUCMD) Layout

| 10 | 4 | 3 | 2 | 1 | 0 |
|----------|---|-----|---|------|------|
| Reserved | | L4T | | IPV4 | SNAP |



- RSV (bit 10:4) - Reserved
- L4T (bit 3:2) - L4 Packet TYPE (00b: UDP; 01b: TCP; 10b: SCTP; 11b: Reserved)
- IPV4 (bit 1) - IP Packet Type: When 1b, IPv4; when 0b, IPv6
- SNAP (bit 0) - SNAP indication

7.2.2.2.5 DTYP(4)

Always 0010b for this type of descriptor.

7.2.2.2.6 DEXT(1)

Descriptor Extension (1b for advanced mode).

7.2.2.2.7 IDX (3)

Index into the hardware context table where this context is stored. In the I210 the 2 available register context sets per queue are accessed using the LSB bit and the two MSB bits are reserved and should always be 0.

Note: In Qav mode for the SR queues a valid context descriptor should be placed ahead of any timed packet pointed by a data descriptor and the IDX field is ignored.

7.2.2.2.8 L4LEN (8)

Layer 4 header length. If *TSE* is set in the data descriptor pointing to this context, this field must be greater than or equal to 12 and less than or equal to 255. Otherwise, this field is ignored.

7.2.2.2.9 MSS (16)

Controls the Maximum Segment Size (MSS). This specifies the maximum TCP payload segment sent per frame, not including any header or trailer. The total length of each frame (or section) sent by the TCP/UDP segmentation mechanism (excluding Ethernet CRC) as follows:

Total length is equal to:

$$\text{MACLEN} + 4(\text{if VLE set}) + \text{IPLen} + \text{L4LEN} + \text{MSS}$$

The one exception is the last packet of a TCP/UDP segmentation, which is typically shorter.

MSS is ignored when *DCMD.TSE* is not set.

Note: The headers lengths must meet the following:

$$\text{MACLEN} + \text{IPLen} + \text{L4LEN} \leq 512$$

Note: The MSS value should be larger than 0 and the maximum MSS value should not exceed 9216 bytes (9KB) length.



The context descriptor requires valid data only in the fields used by the specific offload options. Table 7-32 lists the required valid fields according to the different offload options.

Table 7-32. Valid Field in Context vs. Required Offload

| Required Offload | | | Valid Fields in Context | | | | | | |
|------------------|------|----------------|--|-------|--------|--------|-----|-----|------|
| TSE | TXSM | IXSM | VLAN ¹ | L4LEN | IPLLEN | MACLEN | MSS | L4T | IPV4 |
| 1b ² | 1b | X ³ | VLE | Yes | Yes | Yes | Yes | Yes | Yes |
| 0b | 1b | X ² | VLE | No | Yes | Yes | No | Yes | Yes |
| 0b | 0b | 1b | VLE | No | Yes | Yes | No | No | Yes |
| 0b | 0b | 0b | No context required unless VLE is set. | | | | | | |

1. VLAN field is required only if the VLE bit in Tx descriptor is set.
2. If TSE is set, TXSM must be set to 1b.
3. X - don't care.

7.2.2.3 Advanced Transmit Data Descriptor

Table 7-33. Advanced Transmit Data Descriptor (TDESD) Layout - (Type = 0011b)

| | | | | | | | | | | | |
|---|---------------|-----------|------------------|-----------|--------------|--------------|--------------|--------------|------------------|--------------|-------------|
| 0 | Address[63:0] | | | | | | | | | | |
| 8 | PAYLEN | POPTS | RSV ¹ | IDX | STA | DCMD | DTYP | MAC | RSV ¹ | DTALEN | |
| | 63 | 46 | 45 40 | 39 | 38 36 | 35 32 | 31 24 | 23 20 | 19 18 | 17 16 | 15 0 |

1. RSV - Reserved

Table 7-34. Advanced Tx Descriptor Write-back Format

| | | | | | | | | | | | |
|---|----------------|--|--|-----------|--------------|-----------|--|--|--|--|----------|
| 0 | DMA Time Stamp | | | | | | | | | | |
| 8 | Reserved | | | | STA | Reserved | | | | | |
| | 63 | | | 36 | 35 32 | 31 | | | | | 0 |

Note: For frames that span multiple descriptors, all fields apart from DCMD.EOP, DCMD.RS, DCMD.DEXT, DTALEN, Address and DTYP are valid only in the first descriptor and are ignored in the subsequent ones.

7.2.2.3.1 Address (64) / DMA Time Stamp

Address: Physical address of a data buffer in host memory that contains a portion of a transmit packet provided by the software.

DMA Time Stamp: When enabled by the 1588_STAT_EN flag in the TQAVCTRL register, the DMA Time Stamp is valid and the TS_STAT flag in the STA field is set. Otherwise, this field is undefined and the TS_STAT flag in the STA field is cleared. The DMA Time Stamp reports the time on which the descriptor is written back to host memory. In order to minimize the time gap between DMA completion and descriptor write back, the software could either use the RS bit or set the WTHRESH parameter in the TXDCTL[n] register (of the queue) to zero. The DMA Time Stamp only part of the time (in the SYSTM registers) as follows. Therefore, the software should read the SYSTMH register (once every ~512 sec) in order to keep track of the complete time.



- DMA Time Stamp bits 31:0 get the value of SYSTIML register
- DMA Time Stamp bits 41:32 get the value of the 10 LS bits of the SYSTIMH register
- DMA Time Stamp bits 63:42 are set to zero

7.2.2.3.2 DTALEN (16)

Length in bytes of data buffer at the address pointed to by this specific descriptor.

Note: If the TCTL.PSP bit is set, the total length of the packet transmitted, not including FCS, should be at least 17 bytes. If bit is cleared the total length of the packet transmitted, not including FCS should be at least 60 bytes.

Note: The maximum allowable packet size for transmits is based on the value written to the DMA TX Max Allowable packet size (DTXMPKTSZ) register. Default value is 9,728 bytes.

7.2.2.3.3 MAC (2)

Table 7-35. Transmit Data (TDES.DMAC) Layout

| 1 | 0 |
|------------|------------|
| 2STEP_1588 | 1STEP_1588 |

- 1STEP_1588 (bit 1) - Sample IEEE1588 Timestamp and post it in the transmitted packet at the offset defined by the 1588_Offset field in the TSYNCTXCTL register.
- 2STEP_1588 (bit 1) - Sample IEEE1588 Timestamp at packet transmission in the TXSTMP registers.

Note: The two flags 1STEP_1588 and 2STEP_1588 are mutually.

7.2.2.3.4 DTYP (4)

0011b is the value for this descriptor type.

7.2.2.3.5 DCMD (8)

Table 7-36. Transmit Data (TDES.DCMD) Layout

| 7 | 6 | 5 | 4 | 3 | 2 | 1 | 0 |
|-----|-----|------|----------|----|----------|------|-----|
| TSE | VLE | DEXT | Reserved | RS | Reserved | IFCS | EOP |

- TSE (bit 7) - TCP/UDP Segmentation Enable
- VLE (bit 6) - VLAN Packet Enable
- DEXT (bit 5) - Descriptor Extension (1b for advanced mode)
- Reserved (bit 4)
- RS (bit 3) - Report Status
- Reserved (bit 2)
- IFCS (bit 1) - Insert FCS



- EOP (bit 0) - End Of Packet

TSE indicates a TCP/UDP segmentation request. When *TSE* is set in the first descriptor of a TCP packet, hardware must use the corresponding context descriptor in order to perform TCP segmentation. The type of segmentation applied is defined according to the *TUCMD.L4T* field in the context descriptor.

Note: It is recommended that *TCTL.PSP* be enabled when *TSE* is used since the last frame can be shorter than 60 bytes - resulting in a bad frame if *TCTL.PSP* is disabled.

VLE indicates that the packet is a VLAN packet and hardware must add the VLAN EtherType and an 802.1Q VLAN tag to the packet.

DEXT must be 1b to indicate advanced descriptor format (as opposed to legacy).

RS signals hardware to report the status information. This is used by software that does in-memory checks of the transmit descriptors to determine which ones are done. For example, if software queues up 10 packets to transmit, it can set the *RS* bit in the last descriptor of the last packet. If software maintains a list of descriptors with the *RS* bit set, it can look at them to determine if all packets up to (and including) the one with the *RS* bit set have been buffered in the output FIFO. Looking at the status byte and checking the *DD* bit do this. If *DD* is set, the descriptor has been processed. Refer to the next section for the layout of the status field.

Note: Descriptors with zero length transfer no data.

IFCS, when set, hardware appends the MAC FCS at the end of the packet. When cleared, software should calculate the FCS for proper CRC check. There are several cases in which the hardware changes the packet, and thus the software must set *IFCS*:

- Transmitting a short packet while padding is enabled by the *TCTL.PSP* bit.
- Checksum offload is enabled by either the *TXSM* or *IXSM* bits in the *TDESD.POPTS* field.
- VLAN header insertion enabled by the *VLE* bit in the *TDESD.DCMD* descriptor field when the *VMVIR[n].VLANA* register field is 0.
- TCP/UDP segmentation offload enabled by *TSE* bit in the *TDESD.DCMD*.

EOP indicates whether this is the last buffer for an incoming packet.

7.2.2.3.6 STA (4)

- Rsv (bits 2-3) - Reserved
- TS_STAT (bit 1) - DMA Timestamp is provided in the *DMA Time Stamp* field. It is enabled by the *1588_STAT_EN* flag in the *TQAVCTRL* register.
- DD (bit 0) - Descriptor Done

7.2.2.3.7 IDX (3)

Index into the hardware context table to indicate which context should be used for this request. If no offload is required, this field is not relevant and no context needs to be initiated before the packet is sent. See [Table 7-32](#) for details on type of transmit packet offloads that require a context reference.

7.2.2.3.8 POPTS (6)



Table 7-37. Transmit Data (TDESD.POPTS) Layout

| 5 | 2 | 1 | 0 |
|----------|---|------|------|
| Reserved | | TXSM | IXSM |

- Reserved (bits 5:2)
- TXSM (bit 1) - Insert L4 Checksum
- IXSM (bit 0) - Insert IP Checksum

TXSM, when set to 1b, L4 checksum must be inserted. In this case, TUCMD.L4T in the context descriptor indicates whether the checksum is TCP, UDP, or SCTP.

When *DCMD.TSE* in TDESD is set, *TXSM* must be set to 1b.

If this bit is set, the packet should at least contain a TCP header.

IXSM, when set to 1b, indicates that IP checksum must be inserted. For IPv6 packets this bit must be cleared.

If the *DCMD.TSE* bit is set in data descriptor, and *TUCMD.IPV4* is set in context descriptor, *POPTS.IXSM* must be set to 1b as well.

If this bit is set, the packet should at least contain an IP header.

7.2.2.3.9 PAYLEN (18)

PAYLEN indicates the size (in byte units) of the data buffer(s) in host memory for transmission. In a single send packet, *PAYLEN* defines the entire packet size fetched from host memory. It does not include the fields that hardware adds such as: optional VLAN tagging, Ethernet CRC or Ethernet padding. When TCP or UDP segmentation offload is enabled (*DCMD.TSE* is set), *PAYLEN* defines the TCP/UDP payload size fetched from host memory.

Note: When a packet spreads over multiple descriptors, all the descriptor fields are only valid in the first descriptor of the packet, except for *RS*, which is always checked, *DTALEN* that reflects the size of the buffer in the current descriptor and *EOP*, which is always set at last descriptor of the series.

7.2.2.4 Transmit Descriptor Ring Structure

The transmit descriptor ring structure is shown in [Figure 7-10](#). A set of hardware registers maintains each transmit descriptor ring in the host memory. New descriptors are added to the queue by software by writing descriptors into the circular buffer memory region and moving the tail pointer associated with that queue. The tail pointer points to one entry beyond the last hardware owned descriptor. Transmission continues up to the descriptor where head equals tail at which point the queue is empty.

Descriptors passed to hardware should not be manipulated by software until the head pointer has advanced past them.

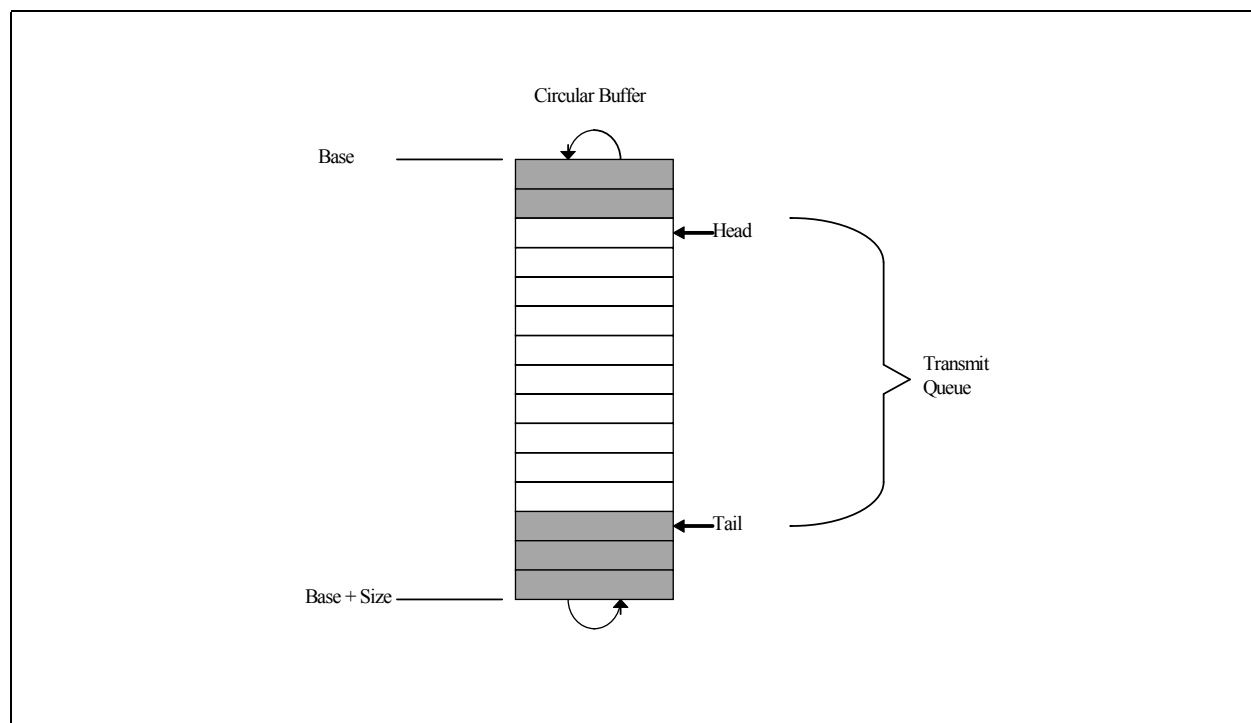


Figure 7-10. Transmit Descriptor Ring Structure

The shaded boxes in the figure represent descriptors that are not currently owned by hardware that software can modify.

The transmit descriptor ring is described by the following registers:

- **Transmit Descriptor Base Address register (*TDBA 0-3*):**
This register indicates the start address of the descriptor ring buffer in the host memory; this 64-bit address is aligned on a 16-byte boundary and is stored in two consecutive 32-bit registers. Hardware ignores the lower four bits.
- **Transmit Descriptor Length register (*TDLEN 0-3*):**
This register determines the number of bytes allocated to the circular buffer. This value must be zero modulo 128.
- **Transmit Descriptor Head register (*TDH 0-3*):**
This register holds a value that is an offset from the base and indicates the in-progress descriptor. There can be up to 64 KB descriptors in the circular buffer. Reading this register returns the value of head corresponding to descriptors already loaded in the output FIFO. This register reflects the internal head of the hardware write-back process including the descriptor in the posted write pipe and might point further ahead than the last descriptor actually written back to the memory.
- **Transmit Descriptor Tail register (*TDT 0-3*):**
This register holds a value, which is an offset from the base, and indicates the location beyond the last descriptor hardware can process. This is the location where software writes the first new descriptor.
The driver should not handle to the I210 descriptors that describe a partial packet. Consequently, the number of descriptors used to describe a packet can not be larger than the ring size.



- Tx Descriptor Completion Write-Back Address High/Low Registers (*TDWBAH/TDWBAL* 0-3):
These registers hold a value that can be used to enable operation of head write-back operation. When *TDWBAL.Head_WB_En* is set and the *RS* bit is set in the Tx descriptor, following corresponding data upload into packet buffer, the I210 writes the Transmit Descriptor Head value for this queue to the 64 bit address specified by the *TDWBAH* and *TDWBAL* registers. The Descriptor Head value is an offset from the base, and indicates the descriptor location hardware processed and software can utilize for new Transmit packets. See [Section 7.2.3](#) for additional information.

The base register indicates the start of the circular descriptor queue and the length register indicates the maximum size of the descriptor ring. The lower seven bits of length are hard wired to 0b. Byte addresses within the descriptor buffer are computed as follows: $\text{address} = \text{base} + (\text{ptr} * 16)$, where ptr is the value in the hardware head or tail register.

The size chosen for the head and tail registers permit a maximum of 65536 (64 KB) descriptors, or approximately 16 KB packets for the transmit queue given an average of four descriptors per packet.

Once activated, hardware fetches the descriptor indicated by the hardware head register. The hardware tail register points one descriptor beyond the last valid descriptor. Software can read and detect which packets have already been processed by hardware as follows:

- Read the head register to determine which packets (those logically before the head) have been transferred to the on-chip FIFO or transmitted. Note that this method is not recommended as races between the internal update of the head register and the actual write-back of descriptors might occur.
- Read the value of the head as stored at the address pointed by the *TDWBAH/TDWBAL* pair.
- Track the *DD* bits in the descriptor ring.

All the registers controlling the descriptor rings behavior should be set before transmit is enabled, apart from the tail registers which are used during the regular flow of data.

Note: Software can determine if a packet has been sent by either of three methods: setting the *RS* bit in the transmit descriptor command field or by performing a PIO read of the transmit head register, or by reading the head value written by the I210 to the address pointed by the *TDWBAL* and *TDWBAH* registers (see [Section 7.2.3](#) for details). Checking the transmit descriptor *DD* bit or head value in memory eliminates a potential race condition. All descriptor data is written to the I/O bus prior to incrementing the head register, but a read of the head register could pass the data write in systems performing I/O write buffering. Updates to transmit descriptors use the same I/O write path and follow all data writes. Consequently, they are not subject to the race.

In general, hardware prefetches packet data prior to transmission. Hardware typically updates the value of the head pointer after storing data in the transmit FIFO.

7.2.2.5 Transmit Descriptor Fetching

When the *TXDCTL[n].ENABLE* bit is set and the on-chip descriptor cache is empty, a fetch happens as soon as any descriptors are made available (Host increments the *TDT[n]* tail pointer). The descriptor processing strategy for transmit descriptors is essentially the same as for receive descriptors except that a different set of thresholds are used. The number of on-chip transmit descriptors per queue is 24. When there is an on-chip descriptor buffer empty, a descriptor fetch happens as soon as any descriptors are made available (host writes to the tail pointer). If several on-chip transmit descriptor queues needs to fetch descriptors, descriptors from queues that are more starved are fetched. If a number of queues have a starvation level, highest indexed queue is served first and so forth, down to the lowest indexed queue.



Note: The starvation level of a queue corresponds to the number of descriptors above the prefetch threshold ($TXDCTL[n].PTHRESH$) that are already in the internal queue. The queue is more starved if there are less descriptors in the internal transmit descriptor cache. Comparing starvation level might be done roughly, not at the single descriptor level of resolution.

A queue is considered empty for the transmit descriptor fetch algorithm as long as:

- There is still no complete packet (single or large send) in its corresponding internal queue.
- There is no descriptor already in its way from system memory to the internal cache.
- The internal corresponding internal descriptor cache is not full.

Each time a descriptor fetch request is sent for an empty queue, the maximum available number of descriptor is requested, regardless of cache alignment issues.

When the on-chip buffer is nearly empty (below $TXDCTL[n].PTHRESH$), a prefetch is performed each time enough valid descriptors ($TXDCTL[n].HTHRESH$) are available in host memory and no other DMA activity of greater priority is pending (descriptor fetches and write-backs or packet data transfers).

When the number of descriptors in host memory is greater than the available on-chip descriptor storage, the I210 might elect to perform a fetch that is not a multiple of cache-line size. Hardware performs this non-aligned fetch if doing so results in the next descriptor fetch being aligned on a cache-line boundary. This enables the descriptor fetch mechanism to be more efficient in the cases where it has fallen behind software.

Note: The I210 NEVER fetches descriptors beyond the descriptor tail pointer.

7.2.2.6 Transmit Descriptor Write-Back

The descriptor write-back policy for transmit descriptors is similar to that of the receive descriptors when the $TXDCTL[n].WTHRESH$ value is not 0x0. In this case, all descriptors are written back regardless of the value of their *RS* bit.

When the $TXDCTL[n].WTHRESH$ value is 0x0, since transmit descriptor write-backs do not happen for every descriptor, only transmit descriptors that have the *RS* bit set are written back.

Any descriptor write-back includes the full 16 bytes of the descriptor.

Since the benefit of delaying and then bursting transmit descriptor write-backs is small at best, it is likely that the threshold is left at the default value (0x0) to force immediate write-back of transmit descriptors with their *RS* bit set and to preserve backward compatibility.

Descriptors are written back in one of three cases:

- $TXDCTL[n].WTHRESH = 0x0$ and a descriptor which has *RS* set is ready to be written back.
- The corresponding *EITR* counter has reached zero.

Note: When a packet spreads over multiple descriptors, all the descriptor fields are only valid in the first descriptor of the packet, except for *RS*, which is always checked, *DTALEN* that reflects the size of the buffer in the current descriptor and *EOP*, which is always set at last descriptor of the series.

7.2.2.7 Transmit Descriptor Ring Structure

- $TXDCTL[n].WTHRESH > 0x0$ and $TXDCTL[n].WTHRESH$ descriptors have accumulated.



For the first condition, write-backs are immediate. This is the default operation and is backward compatible with previous Intel Ethernet controllers.

The other two conditions are only valid if descriptor bursting is enabled (Section 8.12.15). In the second condition, the *EITR* counter is used to force timely write-back of descriptors. The first packet after timer initialization starts the timer. Timer expiration flushes any accumulated descriptors and sets an interrupt event (*TXDW*).

For the last condition, if *TXDCTL[n].WTHRESH* descriptors are ready for write-back, the write-back is performed.

An additional mode in which transmit descriptors are not written back at all and the head pointer of the descriptor ring is written instead as described in Section 7.2.3.

Note: When transmit ring is smaller than internal cache size (24 descriptors) then at least one full packet should be placed in the ring and *TXDCTL[n].WTHRESH* value should be less than ring size. If *TXDCTL[n].WTHRESH* is 0x0 (transmit *RS* mode) then at least one descriptor should have the *RS* bit set inside the ring.

7.2.3 Transmit Completions Head Write Back

In legacy hardware, transmit requests are completed by writing the *DD* bit to the transmit descriptor ring. This causes cache thrash since both the software device driver and hardware are writing to the descriptor ring in host memory. Instead of writing the *DD* bits to signal that a transmit request completed, hardware can write the contents of the descriptor queue head to host memory. The software device driver reads that memory location to determine which transmit requests are complete. In order to improve the performance of this feature, the software device driver might program *DCA* registers to configure which CPU is processing each TX queue to allow pre-fetching of the head write back value from the right cache.

7.2.3.1 Description

The head counter is reflected in a memory location that is allocated by software, for each queue.

Head write back occurs if *TDWBAL[n].Head_WB_En* is set for this queue and the *RS* bit is set in the Tx descriptor, following corresponding data upload into packet buffer. If the head write-back feature is enabled, the I210 ignores *TXDCTL[n].WTHRESH* and takes in account only descriptors with the *RS* bit set (as if the *TXDCTL[n].WTHRESH* field was set to 0x0). In addition, the head write-back occurs upon *EITR* expiration for queues where the *WB_on_EITR* bit in *TDWBAL[n]* is set.

Software can also enable coalescing of the head write-back operations to reduce traffic on the PCIe bus, by programming the *TXDCTL.HWBTHRESH* field to a value greater than zero. In this case, head write-back operation occurs only after the internal pending write-back count is greater than the *TXDCTL[n].HWBTHRESH* value.

The software device driver has control on this feature through Tx queue 0-3 head write-back address, low (*TDWBAL[n]*) and high (*TDWBAH[n]*) registers thus supporting 64-bit address access. See registers description in Section 8.12.16 and Section 8.12.17.

The 2 low register's LSB bits of the *TDWBAL[n]* register hold the control bits.

1. The *Head_WB_En* bit enables activation of the head write back feature. When *TDWBAL[n].Head_WB_En* is set to 1 no TX descriptor write-back is executed for this queue.



2. The *WB_on_EITR* bit enables head write upon *EITR* expiration. When Head write back operation is enabled (*TDWBAL[n].Head_WB_En* = 1) setting the *TDWBAL[n].WB_on_EITR* bit to 1b enables placing an upper limit on delay of head write-back operation.

The 30 upper bits of the *TDWBAL[n]* register hold the lowest 32 bits of the head write-back address, assuming that the two last bits are zero. The *TDWBAH[n]* register holds the high part of the 64-bit address.

Note: Hardware writes a full Dword when writing this value, so software should reserve enough space for each head value.

If software enables Head Write-Back, it must also disable PCI Express Relaxed Ordering on the write-back transactions. This is done by disabling bit 11 in the *TXCTL* register for each active transmit queue. See [Section 8.13.2](#).

The I210 might update the Head with values that are larger than the last Head pointer, which holds a descriptor with the *RS* bit set; however, the value always points to a free descriptor (descriptor that is not longer owned by the I210).

Note: Software should program *TDWBAL[n]*, *TDWBAH[n]* registers when queue is disabled (*TXDCTL[n].Enable* = 0).

7.2.4 TCP/UDP Segmentation

Hardware TCP segmentation is one of the offloading options supported by the Windows* and Linux* TCP/IP stack. This is often referred to as TCP Segmentation Offloading or TSO. This feature enables the TCP/IP stack to pass to the network device driver a message to be transmitted that is bigger than the Maximum Transmission Unit (MTU) of medium. It is then the responsibility of the software device driver and hardware to divide the TCP message into MTU size frames that have appropriate layer 2 (Ethernet), 3 (IP), and 4 (TCP) headers. These headers must include sequence number, checksum fields, options and flag values as required. Note that some of these values (such as the checksum values) are unique for each packet of the TCP message and other fields such as the source IP address are constant for all packets associated with the TCP message.

The I210 supports also UDP segmentation for embedded applications, although this offload is not supported by the regular Windows* and Linux* stacks. Any reference in this section to TCP segmentation, should be considered as referring to both TCP and UDP segmentation.

Padding (TCTL.PSP) must be enabled in TCP segmentation mode, since the last frame might be shorter than 60 bytes, resulting in a bad frame if *PSP* is disabled.

The offloading of these mechanisms from the software device driver to the I210 saves significant CPU cycles. Note that the software device driver shares the additional tasks to support these options.

7.2.4.1 Assumptions

The following assumptions apply to the TCP segmentation implementation in the I210:

- The *RS* bit operation is not changed.
- Interrupts are set after data in buffers pointed to by individual descriptors is transferred (DMA'd) to hardware.

7.2.4.2 Transmission Process

The transmission process for regular (non-TCP segmentation packets) involves:

- The protocol stack receives from an application a block of data that is to be transmitted.



- The protocol stack calculates the number of packets required to transmit this block based on the MTU size of the media and required packet headers.

For each packet of the data block:

- Ethernet, IP and TCP/UDP headers are prepared by the stack.
- The stack interfaces with the software device driver and commands it to send the individual packet.
- The software device driver gets the frame and interfaces with the hardware.
- The hardware reads the packet from host memory (via DMA transfers).
- The software device driver returns ownership of the packet to the Network Operating System (NOS) when hardware has completed the DMA transfer of the frame (indicated by an interrupt).

The transmission process for the I210 TCP segmentation offload implementation involves:

- The protocol stack receives from an application a block of data that is to be transmitted.
- The stack interfaces to the software device driver and passes the block down with the appropriate header information.
- The software device driver sets up the interface to the hardware (via descriptors) for the TCP segmentation context.

Hardware DMA's (transfers) the packet data and performs the Ethernet packet segmentation and transmission based on offset and payload length parameters in the TCP/IP context descriptor including:

- Packet encapsulation
- Header generation and field updates including IPv4, IPV6, and TCP/UDP checksum generation
- The software device driver returns ownership of the block of data to the NOS when hardware has completed the DMA transfer of the entire data block (indicated by an interrupt).

7.2.4.2.1 TCP Segmentation Data Fetch Control

To perform TCP Segmentation in the I210, the DMA must be able to fit at least one packet of the segmented payload into available space in the on-chip Packet Buffer. The DMA does various comparisons between the remaining payload and the Packet Buffer available space, fetching additional payload and sending additional packets as space permits.

To support interleaving between descriptor queues at Ethernet frame resolution inside TSO requests, the frame header pointed to by the so called header descriptors are reread from system memory by hardware for every LSO segment. The I210 stores in an internal cache only the header's descriptors instead of the header's content.

To limit the internal cache size software should not spread the L3/L4 header (TCP, UDP, IPV4 or IPV6) on more than 4 descriptors. In the last header buffer it's allowed to mix header and data. This limitation stands for up to Layer4 header included, and for IPv4 or IPv6 indifferently.

7.2.4.2.2 TCP Segmentation Write-Back Modes



Since the TCP segmentation mode uses the buffers that contains the L3/L4 header multiple times, there are some limitations on the usage of different combinations of writeback and buffer release methods in order to guarantee the header buffer’s availability until the entire packet is processed. These limitations are listed in Table 7-38.

Table 7-38. Write Back Options For Large Send

| WTHRESH | RS | HEAD Write Back Enable | Hardware Behavior | Software Expected Behavior for TSO packets. |
|------------|-----------------------------|------------------------|---|---|
| 0 | Set in EOP descriptors only | Disable | Hardware writes back descriptors with <i>RS</i> bit set one at a time. | Software can retake ownership of all descriptors up to last descriptor with <i>DD</i> bit set. |
| 0 | Set in any descriptors | Disable | Hardware writes back descriptors with <i>RS</i> bit set one at a time. | Software can retake ownership of entire packets (EOP bit set) up to last descriptor with <i>DD</i> bit set. |
| 0 | Not set at all | Disable | Hardware does not write back any descriptor (since <i>RS</i> bit is not set) | Software should poll the TDH register. The TDH register reflects the last descriptor that software can take ownership of. ¹ |
| 0 | Not set at all | Enable | Hardware writes back the head pointer only at EITR expire event reflecting the last descriptor that software can take ownership of. | Software might poll the TDH register or use the head value written back at EITR expire event. The TDH register reflects the last descriptor that software can take ownership of. |
| >0 | Don't care | Disable | Hardware writes back all the descriptors in bursts and set all the <i>DD</i> bits. | Software can retake ownership of entire packets up to last descriptor with both <i>DD</i> and EOP bits set. Note: The TDH register reflects the last descriptor that software can take ownership of ¹ . |
| Don't care | Set in EOP descriptors only | Enable | Hardware writes back the Head pointer per each descriptor with <i>RS</i> bit set. ² | Software can retake ownership of all descriptors up to the descriptor pointed by the head pointer read from system memory (by interrupt or polling). |
| Don't care | Set in any descriptors | Enable | Hardware writes back the Head pointer per each descriptor with <i>RS</i> bit set. | This mode is illegal since software won't access the descriptor, it cannot tell when the pointer passed the EOP descriptor. |

1. Note that polling of the TDH register is a valid method only when the *RS* bit is never set, otherwise race conditions between software and hardware accesses to the descriptor ring can occur.
 2. At EITR expire event, the Hardware writes back the head pointer reflecting the last descriptor that software can take ownership of.

7.2.4.3 TCP Segmentation Performance

Performance improvements for a hardware implementation of TCP Segmentation off-load include:

- The stack does not need to partition the block to fit the MTU size, saving CPU cycles.
- The stack only computes one Ethernet, IP, and TCP header per segment, saving CPU cycles.
- The Stack interfaces with the device driver only once per block transfer, instead of once per frame.
- Larger PCIe bursts are used which improves bus efficiency (such as lowering transaction overhead).
- Interrupts are easily reduced to one per TCP message instead of one per packet.
- Fewer I/O accesses are required to command the hardware.

7.2.4.4 Packet Format

Typical TCP/IP transmit window size is 8760 bytes (about 6 full size frames). Today the average size on corporate Intranets is 12-14 KB, and normally the maximum window size allowed is 64KB (unless Windows Scaling - RFC 1323 is used). A TCP message can be as large as 256 KB and is generally



fragmented across multiple pages in host memory. The I210 partitions the data packet into standard Ethernet frames prior to transmission according to the requested MSS. The I210 supports calculating the Ethernet, IP, TCP, and UDP headers, including checksum, on a frame-by-frame basis.

Table 7-39. TCP/IP or UDP/IP Packet Format Sent by Host

| | | | |
|-----------------|-----------|---------|-------------------------|
| L2/L3/L4 Header | | | Data |
| Ethernet | IPv4/IPv6 | TCP/UDP | DATA (full TCP message) |

Table 7-40. TCP/IP or UDP/IP Packet Format Sent by the I210

| | | | | | | | |
|---------------------------|------------------|-----|-----|---------------------------|-----------------|-----|-----|
| L2/L3/L4 Header (updated) | Data (first MSS) | FCS | ... | L2/L3/L4 Header (updated) | Data (Next MSS) | FCS | ... |
|---------------------------|------------------|-----|-----|---------------------------|-----------------|-----|-----|

Frame formats supported by the I210 include:

- Ethernet 802.3
- IEEE 802.1Q VLAN (Ethernet 802.3ac)
- Ethernet Type 2
- Ethernet SNAP
- IPv4 headers with options
- IPv6 headers with extensions
- TCP with options
- UDP with options.

VLAN tag insertion might be handled by hardware

Note: UDP (unlike TCP) is not a “reliable protocol”, and fragmentation is not supported at the UDP level. UDP messages that are larger than the MTU size of the given network medium are normally fragmented at the IP layer. This is different from TCP, where large TCP messages can be fragmented at either the IP or TCP layers depending on the software implementation. The I210 has the ability to segment UDP traffic (in addition to TCP traffic), however, because UDP packets are generally fragmented at the IP layer, the I210’s “TCP Segmentation” feature is not normally useful to handle UDP traffic.

7.2.4.5 TCP/UDP Segmentation Indication

Software indicates a TCP/UDP Segmentation transmission context to the hardware by setting up a TCP/IP Context Transmit Descriptor (see Section 7.2.2). The purpose of this descriptor is to provide information to the hardware to be used during the TCP segmentation off-load process.

Setting the *TSE* bit in the TDES.DCMD field to 1b indicates that this descriptor refers to the TCP Segmentation context (as opposed to the normal checksum off loading context). This causes the checksum off loading, packet length, header length, and maximum segment size parameters to be loaded from the Context descriptor into the device.

The TCP Segmentation prototype header is taken from the packet data itself. Software must identify the type of packet that is being sent (IPv4/IPv6, TCP/UDP, other), calculate appropriate checksum off loading values for the desired checksum, and calculate the length of the header which is pre-appended. The header might be up to 240 bytes in length.



Once the TCP Segmentation context has been set, the next descriptor provides the initial data to transfer. This first descriptor(s) must point to a packet of the type indicated. Furthermore, the data it points to might need to be modified by software as it serves as the prototype header for all packets within the TCP Segmentation context. The following sections describe the supported packet types and the various updates which are performed by hardware. This should be used as a guide to determine what must be modified in the original packet header to make it a suitable prototype header.

The following summarizes the fields considered by the driver for modification in constructing the prototype header.

IP Header

For IPv4 headers:

- Identification Field should be set as appropriate for first packet to be sent
- Header Checksum should be zeroed out unless some adjustment is needed by the driver

TCP Header

- Sequence Number should be set as appropriate for first packet of send (if not already)
- PSH, and FIN flags should be set as appropriate for LAST packet of send
- TCP Checksum should be set to the partial pseudo-header sum as follows (there is a more detailed discussion of this is [Section 7.2.4.6](#)):

Table 7-41. TCP Partial Pseudo-Header Sum for IPv4

| | | |
|------------------------|---------------------|------|
| IP Source Address | | |
| IP Destination Address | | |
| Zero | Layer 4 Protocol ID | Zero |

Table 7-42. TCP Partial Pseudo-Header Sum for IPv6

| | |
|--------------------------------|-------------|
| IPv6 Source Address | |
| IPv6 Final Destination Address | |
| Zero | |
| Zero | Next Header |

UDP Header

- Checksum should be set as in TCP header, above

The following sections describe the updating process performed by the hardware for each frame sent using the TCP Segmentation capability.

7.2.4.6 Transmit Checksum Offloading with TCP/UDP Segmentation

The I210 supports checksum off-loading as a component of the TCP Segmentation off-load feature and as a standalone capability. [Section 7.2.5](#) describes the interface for controlling the checksum off-loading feature. This section describes the feature as it relates to TCP Segmentation.

The I210 supports IP and TCP header options in the checksum computation for packets that are derived from the TCP Segmentation feature.



Note: The I210 is capable of computing one level of IP header checksum and one TCP/UDP header and payload checksum. In case of multiple IP headers, the driver needs to compute all but one IP header checksum. The I210 calculates check sums on the fly on a frame-by-frame basis and inserts the result in the IP/TCP/UDP headers of each frame. TCP and UDP checksum are a result of performing the checksum on all bytes of the payload and the pseudo header.

Two specific types of checksum are supported by the hardware in the context of the TCP Segmentation off-load feature:

- IPv4 checksum
- TCP checksum

See [Section 7.2.5](#) for description of checksum off loading of a single-send packet.

Each packet that is sent via the TCP segmentation off-load feature optionally includes the IPv4 checksum and either the TCP checksum.

All checksum calculations use a 16-bit wide one's complement checksum. The checksum word is calculated on the outgoing data.

Table 7-43. Supported Transmit Checksum Capabilities

| Packet Type | Hardware IP Checksum Calculation | Hardware TCP/UDP Checksum Calculation |
|---|----------------------------------|---------------------------------------|
| IP v4 packets | Yes | Yes |
| IP v6 packets (no IP checksum in IPv6) | NA | Yes |
| Packet is greater than 1518, 1522 or 1526 bytes; (LPE=1b) ¹ | Yes | Yes |
| Packet has 802.3ac tag | Yes | Yes |
| Packet has IP options (IP header is longer than 20 bytes) | Yes | Yes |
| Packet has TCP or UDP options | Yes | Yes |
| IP header's protocol field contains a protocol # other than TCP or UDP. | Yes | No |

1. Depends on number of VLAN tags.

[Table 7-44](#) lists the conditions of when checksum off loading can/should be calculated.

Table 7-44. Conditions for Checksum Offloading

| Packet Type | IPv4 | TCP/UDP | Reason |
|-------------|------|---------|--|
| Non TSO | Yes | No | IP Raw packet (non TCP/UDP protocol) |
| | Yes | Yes | TCP segment or UDP datagram with checksum off-load |
| | No | No | Non-IP packet or checksum not offloaded |
| TSO | Yes | Yes | For TSO, checksum off-load must be done |

7.2.4.7 TCP/UDP/IP Headers Update

IP/TCP or IP/UDP header is updated for each outgoing frame based on the IP/TCP header prototype which hardware DMA's from the first descriptor(s). The checksum fields and other header information are later updated on a frame-by-frame basis. The updating process is performed concurrently with the packet data fetch.



The following sections define what fields are modified by hardware during the TCP Segmentation process by the I210.

Note: Placing incorrect values in the Context descriptors might cause failure of Large Send. The indication of Large Send failure can be checked in the *TSC TC* statistics register.

7.2.4.7.1 TCP/UDP/IP Headers for the First Frames

The hardware makes the following changes to the headers of the first packet that is derived from each TCP segmentation context.

MAC Header (for SNAP)

- Type/Len field = $MSS + MACLEN + IPLEN + L4LEN - 14 - 4$ (if VLAN added by Software)

IPv4 Header

- IP Identification: Value in the IPv4 header of the prototype header in the packet data itself
- IP Total Length = $MSS + L4LEN + IPLEN$
- IP Checksum

IPv6 Header

- Payload Length = $MSS + L4LEN + IPV6_HDR_extension^1$

TCP Header

- Sequence Number: The value is the Sequence Number of the first TCP byte in this frame.
- The flag values of the first frame are set by ANDing the flag word in the pseudo header with the *DTXTCPLGL.TCP_flg_first_seg* register field. The default value of the *DTXTCPLGL.TCP_flg_first_seg* are set so that the FIN flag and the PSH flag are cleared in the first frame.
- TCP Checksum

UDP Header

- UDP Length = $MSS + L4LEN$
- UDP Checksum

7.2.4.7.2 TCP/UDP/IP Headers for the Subsequent Frames

The hardware makes the following changes to the headers for subsequent packets that are derived as part of a TCP segmentation context:

Number of bytes left for transmission = $PAYLEN - (N * MSS)$. Where N is the number of frames that have been transmitted.

MAC Header (for SNAP Packets)

Type/Len field = $MSS + MACLEN + IPLEN + L4LEN - 14 - 4$ (if VLAN added by Software)

IPv4 Header

- IP Identification: incremented from last value (wrap around based on 16 bit-width)
- IP Total Length = $MSS + L4LEN + IPLEN$

1. $IPV6_HDR_extension$ is calculated as $IPLEN - 40$ bytes.



- IP Checksum

IPv6 Header

- Payload Length = $MSS + L4LEN + IPV6_HDR_extension^1$

TCP Header

- Sequence Number update: Add previous TCP payload size to the previous sequence number value. This is equivalent to adding the *MSS* to the previous sequence number.
- The flag values of the subsequent frames are set by ANDing the flag word in the pseudo header with the *DTXTCPFLGL.TCP_Flg_mid_seg* register field. The default value of the *DTXTCPFLGL.TCP_Flg_mid_seg* are set so that if the FIN flag and the PSH flag are cleared in these frames.
- TCP Checksum

UDP Header

- UDP Length = $MSS + L4LEN$
- UDP Checksum

7.2.4.7.3 TCP/UDP/IP Headers for the Last Frame

The hardware makes the following changes to the headers for the last frame of a TCP segmentation context:

Last frame payload bytes = $PAYLEN - (N * MSS)$

MAC Header (for SNAP Packets)

- Type/Len field = Last frame payload bytes + $MACLEN + IPLEN + L4LEN - 14 - 4$ (if VLAN added by Software)

IPv4 Header

- IP Total Length = last frame payload bytes + $L4LEN + IPLEN$
- IP Identification: incremented from last value (wrap around based on 16 bit-width)
- IP Checksum

IPv6 Header

- Payload Length = last frame payload bytes + $L4LEN + IPV6_HDR_extension^1$

TCP Header

- Sequence Number update: Add previous TCP payload size to the previous sequence number value. This is equivalent to adding the *MSS* to the previous sequence number.
- The flag values of the last frames are set by ANDing the flag word in the pseudo header with the *DTXTCPFLGH.TCP_Flg_1st_seg* register field. The default value of the *DTXTCPFLGH.TCP_Flg_1st_seg* are set so that if the FIN flag and the PSH flag are set in the last frame.
- TCP Checksum

UDP Header

- UDP Length = Last frame payload bytes + $L4LEN$
- UDP Checksum

1. $IPV6_HDR_extension$ is calculated as $IPLEN - 40$ bytes.



7.2.4.8 Data Flow

The flow used by the I210 to do TCP segmentation is as follows:

1. Get a descriptor with a request for a TSO off-load of a TCP packet.
2. First Segment processing:
 - a. Fetch all the buffers containing the header as calculated by the *MACLEN*, *IPLN* and *L4LEN* fields. Save the addresses and lengths of the buffers containing the header (up to 4 buffers). The header content is not saved.
 - b. Fetch data up to the MSS from subsequent buffers & calculate the adequate checksum(s).
 - c. Update the Header accordingly and update internal state of the packet (next data to fetch and TCP SN).
 - d. Send the packet to the network.
 - e. If total packet was sent, go to step 4. else continue.
3. Next segments
 - a. Wait for next arbitration of this queue.
 - b. Fetch all the buffers containing the header from the saved addresses. Subsequent reads of the header might be done with a no snoop attribute.
 - c. Fetch data up to the MSS or end of packet from subsequent buffers & calculate the adequate checksum(s).
 - d. Update the Header accordingly and update internal state of the packet (next data to fetch and TCP SN).
 - e. If total packet was sent, request is done, else restart from step 3.
4. Release all buffers (update head pointer).

Note: Descriptors are fetched in a parallel process according to the consumption of the buffers.

7.2.5 Checksum Offloading in Non-Segmentation Mode

The previous section on TCP Segmentation off-load describes the IP/TCP/UDP checksum off loading mechanism used in conjunction with TCP Segmentation. The same underlying mechanism can also be applied as a standalone feature. The main difference in normal packet mode (non-TCP Segmentation) is that only the checksum fields in the IP/TCP/UDP headers need to be updated.

Before taking advantage of the I210's enhanced checksum off-load capability, a checksum context must be initialized. For the normal transmit checksum off-load feature this is performed by providing the device with a Descriptor with *TSE* = 0b in the *TDESC.DCMD* field and setting either the *TXSM* or *IXSM* bits in the *TDESC.POPTS* field. Setting *TSE* = 0b indicates that the normal checksum context is being set, as opposed to the segmentation context. For additional details on contexts, refer to [Section 7.2.2.4](#).

Note: Enabling the checksum off loading capability without first initializing the appropriate checksum context leads to unpredictable results. CRC appending (*TDESC.CMD.IFCS*) must be enabled in TCP/IP checksum mode, since CRC must be inserted by hardware after the checksum has been calculated.

As mentioned in [Section 7.2.2](#), it is not necessary to set a new context for each new packet. In many cases, the same checksum context can be used for a majority of the packet stream. In this case, some performance can be gained by only changing the context on an as needed basis or electing to use the off-load feature only for a particular traffic type, thereby avoiding the need to read all context descriptors except for the initial one.



Each checksum operates independently. Insertion of the IP and TCP checksum for each packet are enabled through the Transmit Data Descriptor *POPTS.TSXM* and *POPTS.IXSM* fields, respectively.

7.2.5.1 IP Checksum

Three fields in the Transmit Context Descriptor (*TDESC*) set the context of the IP checksum off loading feature:

- *TUCMD.IPv4*
- *IPLen*
- *MACLen*

TUCMD.IPv4 = 1b specifies that the packet type for this context is IPv4, and that the IP header checksum should be inserted. *TUCMD.IPv4* = 0b indicates that the packet type is IPv6 (or some other protocol) and that the IP header checksum should not be inserted.

MACLen specifies the byte offset from the start of the DMA'd data to the first byte to be included in the checksum, the start of the IP header. The minimal allowed value for this field is 12. Note that the maximum value for this field is 127. This is adequate for typical applications.

Note: The *MACLen* + *IPLen* value needs to be less than the total DMA length for a packet. If this is not the case, the results are unpredictable.

IPLen specifies the IP header length. Maximum allowed value for this field is 511 Bytes.

MACLen + *IPLen* specify where the IP checksum should stop. This is limited to the first 127 + 511 bytes of the packet and must be less than or equal to the total length of a given packet. If this is not the case, the result is unpredictable.

The 16-bit IPv4 Header Checksum is placed at the two bytes starting at *MACLen* + 10.

As mentioned in [Section 7.2.2.2](#), Transmit Contexts, it is not necessary to set a new context for each new packet. In many cases, the same checksum context can be used for a majority of the packet stream. In this case, some performance can be gained by only changing the context on an as needed basis or electing to use the off-load feature only for a particular traffic type, thereby avoiding all context descriptor reads except for the initial one.

7.2.5.2 TCP/UDP Checksum

Three fields in the Transmit Context Descriptor (*TDESC*) set the context of the TCP/UDP checksum off loading feature:

- *MACLen*
- *IPLen*
- *TUCMD.L4T*

TUCMD.L4T = 01b specifies that the packet type is TCP, and that the 16-bit TCP header checksum should be inserted at byte offset *MACLen* + *IPLen* + 16. *TUCMD.L4T* = 00b indicates that the packet is UDP and that the 16-bit checksum should be inserted starting at byte offset *MACLen* + *IPLen* + 6.

IPLen + *MACLen* specifies the byte offset from the start of the DMA'd data to the first byte to be included in the checksum, the start of the TCP header. The minimal allowed value for this sum is 32/42 for UDP or TCP respectively.



Note: The $IPLN + MACLEN + L4LEN$ value needs to be less than the total DMA length for a packet. If this is not the case, the results are unpredictable.

The TCP/UDP checksum always continues to the last byte of the DMA data.

Note: For non-TSO, software still needs to calculate a full checksum for the TCP/UDP pseudo-header. This checksum of the pseudo-header should be placed in the packet data buffer at the appropriate offset for the checksum calculation.

7.2.5.3 SCTP CRC Offloading

For SCTP packets, a CRC32 checksum offload is provided.

Three fields in the Transmit Context Descriptor (*TDESC*) set the context of the STCP checksum offloading feature:

- MACLEN
- IPLN
- TUCMD.L4T

TUCMD.L4T = 10b specifies that the packet type is SCTP, and that the 32-bit STCP CRC should be inserted at byte offset $MACLEN + IPLN + 8$.

$IPLN + MACLEN$ specifies the byte offset from the start of the DMA'd data to the first byte to be included in the checksum, the start of the STCP header. The minimal allowed value for this sum is 26.

The SCTP CRC calculation always continues to the last byte of the DMA data.

The SCTP total L3 payload size ($TDESCD.PAYLEN - IPLN - MACLEN$) should be a multiple of 4 bytes (SCTP padding not supported).

Notes:

1. TSO is not available for SCTP packets.
2. The CRC field of the SCTP header must be set to zero prior to requesting a CRC calculation offload.

7.2.5.4 Checksum Supported Per Packet Types

Table 7-45 lists which checksum is supported per packet type.

Note: TSO is not supported for packet types for which IP checksum and TCP checksum can not be calculated.



Table 7-45. Checksum Per Packet Type

| Packet Type | Hardware IP Checksum Calculation | Hardware TCP/UDP/SCTP Checksum Calculation |
|---|--|--|
| IPv4 packets | Yes | Yes |
| IPv6 packets | No (n/a) | Yes |
| IPv6 packet with next header options: <ul style="list-style-type: none"> • Hop-by-Hop options • Destinations options • Routing (w len 0b) • Routing (w len >0b) • Fragment • Home option | No (n/a) No (n/a) No (n/a) No (n/a) No (n/a) No (n/a) | Yes Yes Yes No No No |
| IPv4 tunnels: <ul style="list-style-type: none"> • IPv4 packet in an IPv4 tunnel • IPv6 packet in an IPv4 tunnel | Either IP or TCP/SCTP ¹ Either IP or TCP/SCTP ¹ | Either IP or TCP/SCTP ¹ Either IP or TCP/SCTP ¹ |
| IPv6 tunnels: <ul style="list-style-type: none"> • IPv4 packet in an IPv6 tunnel • IPv6 packet in an IPv6 tunnel | No No | Yes Yes |
| Packet is an IPv4 fragment | Yes | No |
| Packet is greater than 1518, 1522 or 1526 bytes; (LPE=1b) ² | Yes | Yes |
| Packet has 802.3ac tag | Yes | Yes |
| Packet has TCP or UDP options | Yes | Yes |
| IP header's protocol field contains protocol # other than TCP or UDP. | Yes | No |

1. For the tunneled case, the driver might do only the TCP checksum or IPv4 checksum. If TCP checksum is desired, the driver should define the IP header length as the combined length of both IP headers in the packet. If an IPv4 checksum is required, the IP header length should be set to the IPv4 header length.
2. Depends on number of VLAN tags.

7.2.6 Multiple Transmit Queues

The number of transmit queues is 4, to support Qav functionality or to support load balancing between CPUs.

If there are more CPUs cores than queues, then one queue might be used to service more than one CPU.

For transmission process, each thread might place a queue in the host memory of the CPU it is tied to.

The I210 supports assigning either high or low priority to each transmit queue. High priority is assigned to by setting the `TXDCTL[n].priority` bit to 1b. When high priority is assigned to a specific transmit queue, the I210 always prioritizes transmit data fetch DMA accesses, before servicing transmit data fetch of lower priority transmit queues. The Audio/Video Bridging (AVB) mechanism described in [Section 7.2.7](#) provides another arbitration mechanisms between the queues.

Note: Throughput of low priority transmit queues can be significantly impacted if high priority queues utilize the DMA resources fully.



7.2.7 Handling Time Sensitive Streams (802.1Qav)

7.2.7.1 Overview

The 802.1Qav is part of the AVB specifications that include Timing and Synchronization for time specific applications (802.1AS), Stream Reservation (SR) protocol to guarantee the resources needed for Audio/Video (AV) streams (802.1Qat), Forwarding and queuing enhancements for time sensitive streams (802.1Qav).

802.1Qav provides a way to guarantee bounded latency and latency variation for time sensitive traffic as AV. It specifies the priority usage and controlled bandwidth draining algorithms.

Note that when supporting Time Sensitive Streams, EEE should not be enabled (by the EEER register) due to potential distortions of the time sensitive traffic scheduling.

7.2.7.2 I210 Transmit Modes

The I210 supports two transmit modes, legacy and Qav. The transmit mode is configured in TQAVCTRL.QavMode register and must be set during the SW initialization cycle. The I210 transmit mode cannot change during dynamic operation.

| | Legacy | Qav |
|---------------------------|--|---|
| Packet Buffer | Single transmit packet buffer | Four transmit packet buffers |
| Queues | Four transmit queues All enabled queues are associated to the single transmit packet buffer | Four transmit queues Each enabled queue is associated with a dedicated transmit packet buffer |
| Data fetch arbitration | Round robin between the queues | Combination of time based and most empty packet buffer |
| Data transmit arbitration | None - single packet buffer - first in first out | Combination of time based and credit shaper for the SR queues and strict priority for the BE queues |

The I210 Legacy transmit is defined in [Section 7.2](#). The rest of this sub chapter defines the I210 transmit functionality when configured to operate at Qav mode.

Note: When configured to Qav mode enabling the transmit short packet padding feature and sending packets shorter than 64 bytes has some impact to the correctness of the credit shaper arbitration as the arbitration is done based on the non padded transmit packet length.

7.2.7.3 Transmit Architecture in Qav Mode

To enable the proper priority and bandwidth allocation to the time sensitive streams the I210 transmit architecture includes up to four transmit packet buffers, the transmit traffic is distributed between the packet buffers based on the packet priority. The I210 software device driver directs the outgoing packets to the relevant priority packet buffers by submitting them per priority to the proper descriptor queues.

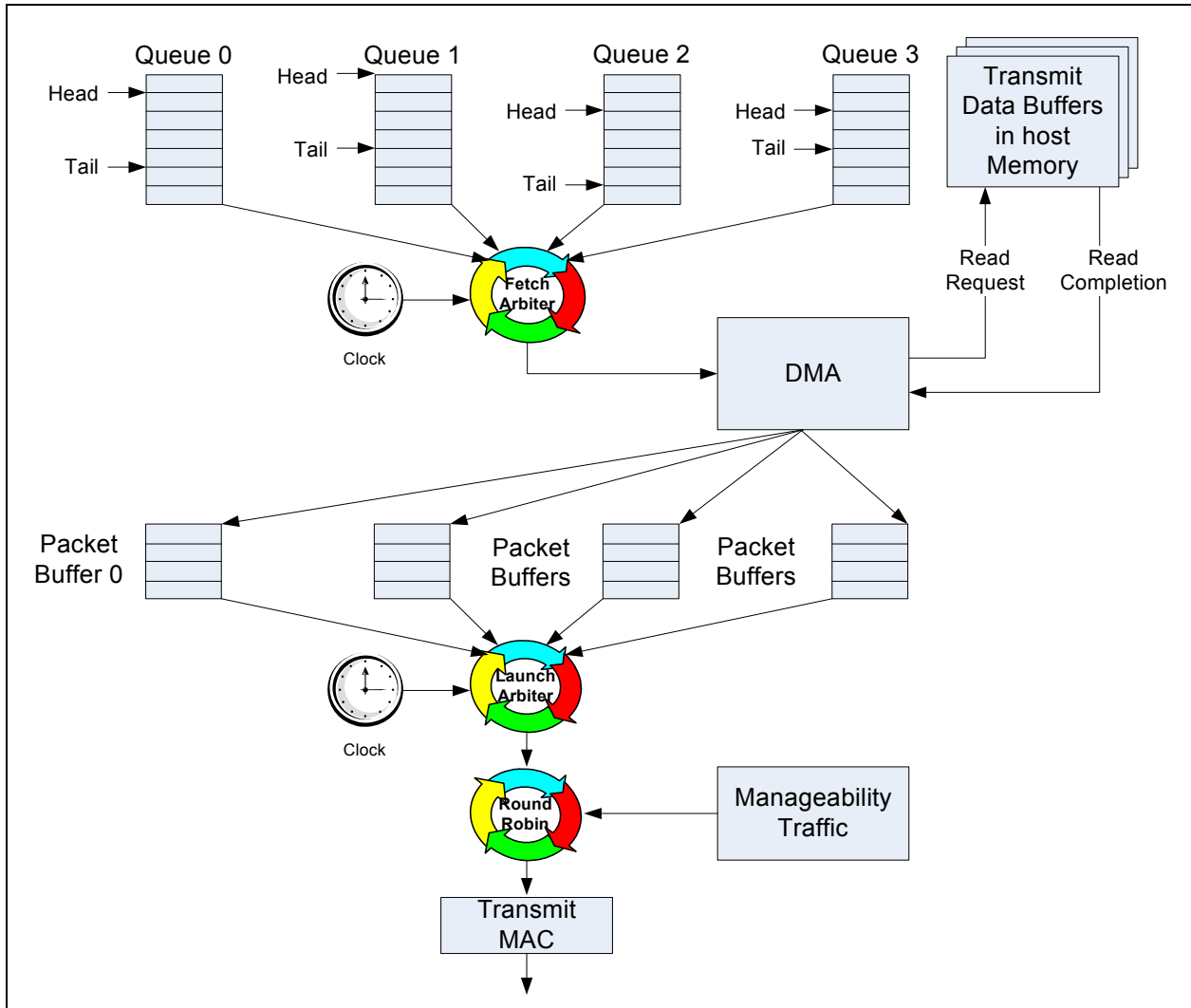


Figure 7-11. Transmit Architecture Qav Mode

7.2.7.4 Mapping User Priorities to Queues

While in Qav mode each active queue in the I210 represents a single or multiple User Priorities, The queue priority is pre-assigned such that queue0 has the highest priority and priorities decrease through queue1, queue2 and queue3 has the lowest priority.

Software is responsible to map the proper Ethernet traffic using the appropriate stream priority to its hardware destination queue according to the relevant priority it is assigned.

Traffic priority can be assigned according to the VLAN priority field in the VLAN tag.



7.2.7.5 Transmission Selection

Transmission selection is the process of selecting the next packet to transmit, in the I210 Qav modes transmission selection includes three levels of arbitration - descriptor fetch, data fetch and data transmission.

Descriptor fetch - the transmit descriptor fetch mechanism while in Qav modes is the same as in legacy mode, the complete description of descriptor fetch is described in [Section 7.2.2.5](#).

Data fetch - the data fetch mechanism while in Qav modes are based on two elements time based and queue arbitration based on round robin or most empty goes first controlled by TQAVCTRL.DataFetchARB. A queue is eligible for arbitrations only if it has descriptors pointing to at least a single packet in host memory. For SR queues with the time based element enabled a queue is only eligible for arbitration if the fetch time of the up coming packet has been reached. See [Section 7.2.7.5.3](#) for more details on how to determine if the fetch time has been reached.

When configured to most empty the queue that wins the arbitration is the queue that is targeted to the most empty packet buffer, for the cases where some packet buffers have the same amount of data (startup for example) arbitration between these queues are done according to the queue priority (higher priority goes first).

Data transmission - transmission arbitration flow is described as follows and illustrated in [Figure 7-12, "Data Transmission Arbitration Operation for TransmitMode = Qav"](#) on page 311.

- In non Qav mode (TQAVCTRL.TransmitMode = 0b) Arbitration starts from the highest priority queue (index 0) and up to the lowest priority queue (index 3).
- In Qav mode (TQAVCTRL.TransmitMode = 1b) Arbitration starts from the highest priority queue (index 0) and up to the lowest priority queue (index 3) with the following additions:
 - Strict reservation queues (indicated as SR queues or Qav queues) are subjected to credit based shaper criteria (if enabled by the TQAVCTRL.DataTranARB parameter). See credit calculation in [Section 7.2.7.5.2](#).
 - Transmission time base criteria (if enabled by the TQAVCTRL.DataTranTIM parameter). See launch time calculation in [Section 7.2.7.5.3](#).
- Any arbitration step is made for a single packet from the selected queue:
 - If a packet is transmitted, hardware then looks for the next packet to be transmitted from the highest priority queue (index 0).
 - If a packet was not transmitted, hardware then looks for the next packet to be transmitted from the next queue inline.

Note: When in Qav mode, queue0 must be configured as an SR queue, queue1 can be configured as an SR queue or priority queue and queue2, queue3 is configured by default as a priority queue with no ability to be configured as SR queues.

Note: the launch time of a packet is specified in the context descriptor. Every SR packet should be defined using a single context descriptor provided before the packet advanced data descriptors (legacy descriptors are not supported in Qav mode).

7.2.7.5.1 Data Transmission Arbitration Algorithm

Definition and description of parameters

Priority (QN - Queue number), the I210 in Qav mode implements up to 4 priorities defined by the actual queue used, see [Section 7.2.7.4](#) for the way priorities are mapped to queues



Credits - Regulates the bandwidth allocation to user priorities, credits represent a single byte. The transmission of a queue in SR mode is defined by the amount of credits assigned to that queue

QueueFrames - Each queue has an indication whether there are queued frames for that queue

Launch Time - Defines the time to launch the packet for time based arbitration

Mode - While in Qav mode each queue is configured to be either in priority mode or SR mode

Table 7-46 lists the arbitration modes as controlled by the TQAVCTRL register followed by a flow diagram that illustrates the arbitration scheme for Qav mode.

Table 7-46. Transmission Arbitration

| TransmitMode | DataTranARB | DataTranTIM | Functionality |
|--------------|---------------------|-----------------|---|
| 0 (Legacy) | X | X | Single packet buffer for all 4 queues. Packets are transmitted at the same order they are fetched from host memory. |
| 1 (Qav) | 0 (Strict Priority) | 0 | Strict priority queuing without any scheduling. |
| 1 (Qav) | 0 (Strict Priority) | 1 (Launch Time) | Strict priority queuing while SR queues are subjected to launch time policy. |
| 1 (Qav) | 1 (Credit Shaper) | 0 | Strict priority queuing while SR queues are subjected to Credit Shaper policy. |
| 1 (Qav) | 1 (Credit Shaper) | 1 (Launch Time) | Strict priority queuing while SR queues are subjected to Credit Shaper policy plus launch time. |

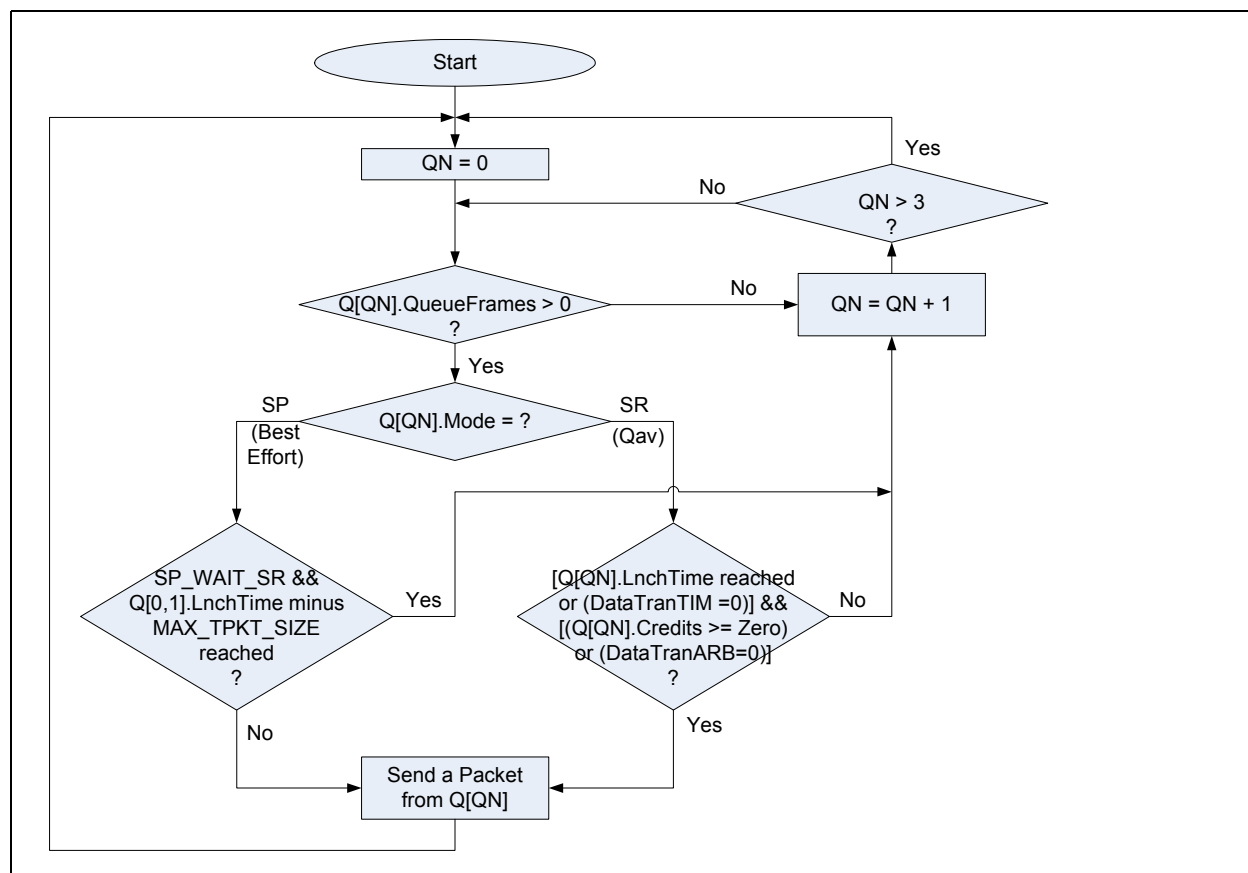


Figure 7-12. Data Transmission Arbitration Operation for TransmitMode = Qav

7.2.7.5.2 Data Transmission Credit Calculation

Definition and description of parameters

IdleSlope - The Idle slop of an SR queue defines the amount of credit accumulation (per byte) while the queue is blocked from transmission

SendSlope - The Send slop of an SR queue defines the amount of credit consumption (per byte) and is calculated by the formula $SendSlope = IdleSlope - LinkRate$

HiCredit - The HiCredit of an SR queue defines the maximum credit accumulation for that queue

Credit calculation pseudo code:

```

For each Q[i]
  If Transmit
    Credit = Credit - SendSlope
  If !Transmit
    If Q[i].QuFrm = 0
      Credit = 0
    Else If Credit + IdleSlope > HiCredit
      Credit = HiCredit
    
```



Else Credit = Credit + IdleSlope

Note: During QavMode TIPG register value should not be modified from its default value of total 12 bytes IPG between packets.

7.2.7.5.3 Launch Time/Fetch Time Decision

Launch time and Fetch time criteria is defined to be “pass” if either:

- The Launch time/Fetch time match exactly the relevant portion of SYSTIML value
 - It is compared against SYSTIML[29:5], and provides transmission granularity of 0.032 μs
- The time passed from (post) Launch time/Fetch time in the SYSTIML is within the allowed Launch time/Fetch time criteria
 - The Allowed Fetch time and Allowed Launch time should be calculated such that it is allowed to Fetch/Transmit a packet if the current time is within Fetch/Launch time + 0.5 second.
 - Note that the SYSTIML register max value is 999,999,999 dec (0x3B9AC9FF) and it wraps to 0 when reaching this value (representing a full second).

7.2.7.6 Qav Latency

The latency between transmission scheduling (either credit base or launch time) and the time the packet is transmitted to the network is listed in [Table 7-62](#).

Table 7-47. Packet Scheduling to its Transmission Latency

| Link Speed | Latency between launch time and packet in the MAC (the time on which packet 1588 time stamping is taken). For a complete delay from between launch time and SFD on the PHY MDI pins, please add the latency defined in Table 7-62 (delay between packet timestamp and SFD on the MDI pins) | | |
|----------------------|--|----------|---|
| | Min | Max | Comments |
| Transmit at 10 Mb/s | Not measured | | Assume no interfering transmission (see also SP_WAIT_SR setting). The min/max values represent possible jitter. In case of no concurrent receive, the jitter is reduced by 16 ns. |
| Transmit at 100 Mb/s | 1.184 μs | 1.360 μs | |
| Transmit at 1 Gb/s | 288 ns | 304 ns | |

7.2.7.7 Qav Configuration

Context Descriptor Configuration

LaunchTime (25 bits (56:32) based on SYSTIM)

Global Qav configuration:

TXPBSIZE.Tx0pbsize/Tx1pbsize/Tx2pbsize/Tx3pbsize (Tx packet buffer size assignment)

- Recommended configuration is 8KB for PB0, PB1 and 4KB for PB2, PB3

RXPBSIZE.Rxpbsize (Rx packet buffer size assignment)

- To comply with the Tx recommendation above need to set to 0x20 (32 KB). Refer to the setting rule defined in [Section 4.5.9](#).

DTXMPKTSZ.MAX_TPKT_SIZE (DMA Tx maximum packet size)



TQAVCTRL.TransmitMode (Transmit mode configuration: legacy, Qav)

TQAVCTRL.DataFetchArb (Data fetch arbitration configuration: Round Robin, Most empty)

- TXDCTL.Priority can be use to prioritize SR queues over SP queues

TQAVCTRL.DataTranArb (Data Transmit arbitration configuration: Strict Priority, Credit Shaper Algorithm)

TQAVCTRL.DataTrantim (Data Transmit Time Valid configuration - controls time based transmission)

TQAVCTRL.FetchTimDelta (Fetch Time Delta configuration - the time to reduce from Launch time to make a SR queue packet eligible for fetch)

Per Queue (0/1) Qav configuration:

TQAVCC.QueueMode (Queue mode configuration: SR, SP)

TQAVCC.IdleSlope (Idle slope configuration credits)

IdleSlope Configuration is calculated using the following equation:

100Mbps: $BW * 0x7735 * 0.2$

1000Mbps: $BW * 0x7735 * 2$

BW is the percentage BW out of full line rate.

TQAVHC.HiCredit (Maximum number of credits that can be accumulated per queue)

LinkRate (Not configured and always defaults to 0x7735 credits)

ZeroCredit (not configured and always defaults to 0x80000000)

SW calculations of credit limits for proper setting:

SR0 (Queue0):

- $HiCredit = 0x80000000 + MAX_TPKT_SIZE * Idle_BW[Queue0] * 0x7735$

SR1 (Queue1):

- $HiCredit = Max\{(0x80000000 + 2 * MAX_TPKT_SIZE * Idle_BW[Queue1] * 0x7735), (0x80000000 + ((Idle_BW[Queue0] / Send_BW[Queue0]) * MaxFameSize + MAX_TPKT_SIZE) * Idle_BW[Queue1] * 0x7735)\}$

7.3 Interrupts

7.3.1 Interrupt Modes

The I210 supports the following interrupt modes:

- PCI legacy interrupts or MSI - selected when *GPIE.Multiple_MSIX* is 0b
- MSI-X when *GPIE.Multiple_MSIX* is 1b.



7.3.1.1 MSI-X and Vectors

MSI-X defines a separate optional extension to basic MSI functionality. Compared to MSI, MSI-X supports a larger maximum number of vectors, the ability for software to control aliasing when fewer vectors are allocated than requested, plus the ability for each vector to use an independent address and data value, specified by a table that resides in Memory Space. However, most of the other characteristics of MSI-X are identical to those of MSI. For more information on MSI-X, refer to the PCI Local Bus Specification, Revision 3.0.

MSI-X maps each of the I210 interrupt causes into an interrupt vector that is conveyed by the I210 as a posted-write PCIe transaction. Mapping of an interrupt cause into an MSI-X vector is determined by system software (a device driver) through a translation table stored in the MSI-X Allocation registers. Each entry of the allocation registers defines the vector for a single interrupt cause.

7.3.2 Mapping of Interrupt Causes

There are 10 extended interrupt causes that exist in the I210:

1. 8 traffic causes — 4 Tx, 4 Rx.
2. TCP timer
3. Other causes — Summarizes legacy interrupts into one extended cause.

The way the I210 exposes causes to the software is determined by the interrupt mode described in the text that follows.

Mapping of interrupts causes is different in each of the interrupt modes and is described in the following sections of this chapter.

Note: If only one MSI-X vector is allocated by the operating system, then the driver might use the non MSI-X mapping method even in MSI-X mode.

7.3.2.1 Legacy and MSI Interrupt Modes

In legacy and MSI modes, an interrupt cause is reflected by setting a bit in the *EICR* register. This section describes the mapping of interrupt causes, like a specific Rx queue event or a Link Status Change event, to bits in the *EICR* register.

Mapping of queue-related causes is accomplished through the *IVAR* register. Each possible queue interrupt cause (each Rx or Tx queue) is allocated an entry in the *IVAR*, and each entry in the *IVAR* identifies one bit in the *EICR* register among the bits allocated to queue interrupt causes. It is possible to map multiple interrupt causes into the same *EICR* bit.

In this mode, different queue related interrupt causes can be mapped to the first 4 bits of the *EICR* register.

Interrupt causes related to non-queue causes are mapped into the *ICR* legacy register; each cause is allocated a separate bit. The sum of all causes is reflected in the *Other Cause* bit in *EICR*. [Figure 7-13](#) shows the allocation process.

The following configuration and parameters are involved:

- The *IVAR*[3:0] entries map 4 Tx queues and 4 Rx queues into the *EICR*[3:0] bits.
- The *IVAR_MISC* that maps non-queue causes is not used.
- The *EICR*[30] bit is allocated to the TCP timer interrupt cause.



- The *EICR[31]* bit is allocated to the other interrupt causes summarized in the ICR register.
- A single interrupt vector is provided.

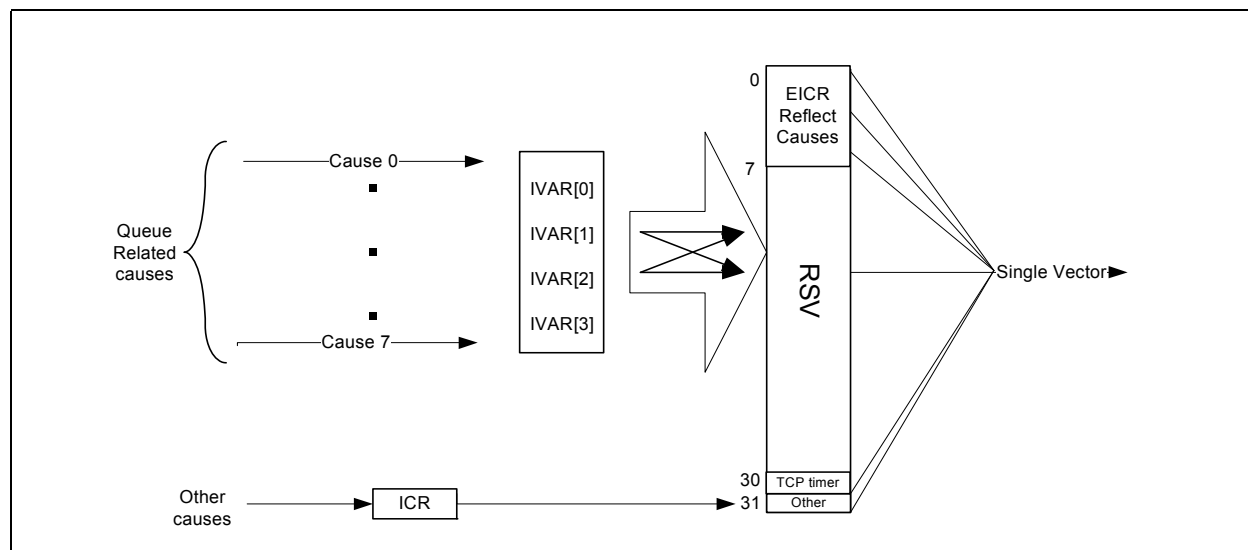


Figure 7-13. Cause Mapping in Legacy Mode

Table 7-48 lists the different interrupt causes into the IVAR registers.

Table 7-48. Cause Allocation in the IVAR Registers - MSI and Legacy Mode

| Interrupt | Entry | Description |
|-----------|-----------------------------|---|
| Rx_i | INT_Alloc[2*i] (i = 0..3) | Receive queues i - Associates an interrupt occurring in the Rx queue i with a corresponding bit in the EICR register. |
| Tx_i | INT_Alloc[2*i+1] (i = 0..3) | Transmit queues i- Associates an interrupt occurring in the Tx queue i with a corresponding bit in the EICR register. |

7.3.2.2 MSI-X Mode

In MSI-X mode the I210 can request up to 5 vectors.

In MSI-X mode, an interrupt cause is mapped into an MSI-X vector. This section describes the mapping of interrupt causes, like a specific RX queue event or a Link Status Change event, to MSI-X vectors.

Mapping is accomplished through the IVAR register. Each possible cause for an interrupt is allocated an entry in the IVAR, and each entry in the IVAR identifies one MSI-X vector. It is possible to map multiple interrupt causes into the same MSI-X vector.

The EICR also reflects interrupt vectors. The EICR bits allocated for queue causes reflect the MSI-X vector (bit 2 is set when MSI-X vector 2 is used). Interrupt causes related to non-queue causes are mapped into the ICR (as in the legacy case). The MSI-X vector for all such causes is reflected in the EICR.

The following configuration and parameters are involved:

- The IVAR[3:0] registers map 4 Tx queues and 4 Rx queues events to up to 23 interrupt vectors

- The IVAR_MISC register maps a TCP timer and other events to 2 MSI-X vectors

Figure 7-14 shows the allocation process.

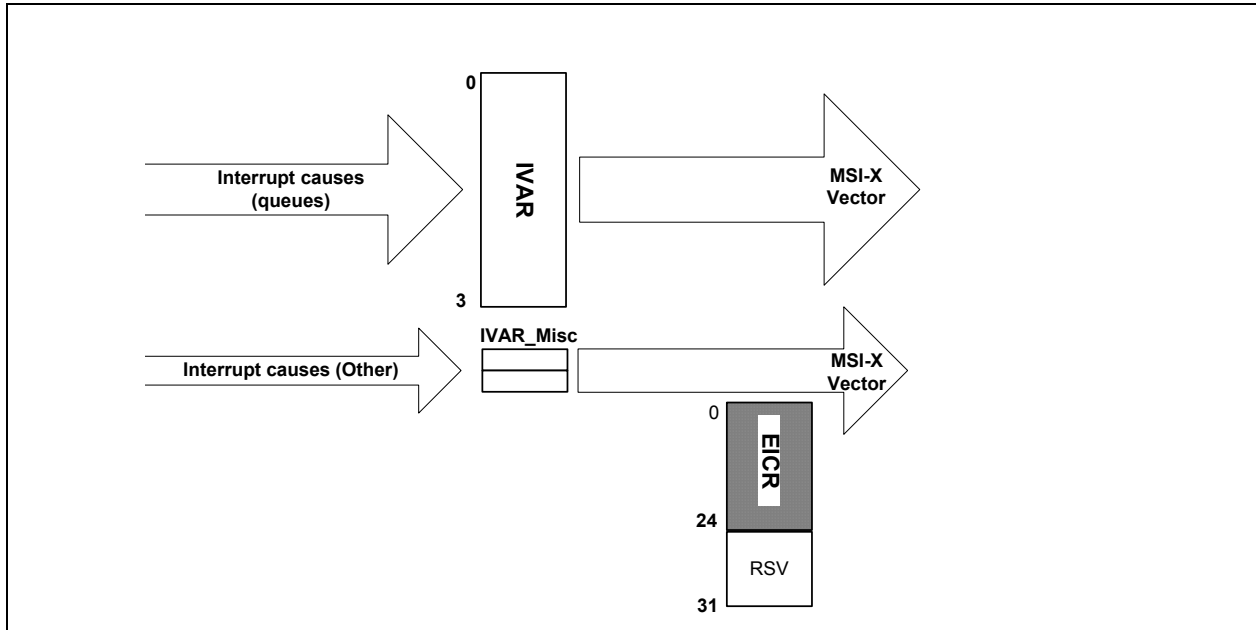


Figure 7-14. Cause Mapping in MSI-X Mode

Table 7-49 lists which interrupt cause is represented by each entry in the MSI-X Allocation registers. The software has access to 10 mapping entries to map each cause to one of the 5 MSI-x vectors.

Table 7-49. Cause Allocation in the IVAR Registers

| Interrupt | Entry | Description |
|-------------|-----------------------------|---|
| Rx_i | INT_Alloc[2*i] (i = 0..3) | Receive queues i - Associates an interrupt occurring in the RX queue i with a corresponding entry in the MSI-X Allocation registers. |
| Tx_i | INT_Alloc[2*i+1] (i = 0..3) | Transmit queues i- Associates an interrupt occurring in the TX queues i with a corresponding entry in the MSI-X Allocation registers. |
| TCP timer | INT_Alloc[8] | TCP Timer - Associates an interrupt issued by the TCP timer with a corresponding entry in the MSI-X Allocation registers. |
| Other cause | INT_Alloc[9] | Other causes - Associates an interrupt issued by the other causes with a corresponding entry in the MSI-X Allocation registers. |



7.3.3 Legacy Interrupt Registers

The interrupt logic consists of the registers listed in Table 7-50 and Table 7-51, plus the registers associated with MSI/MSI-X signaling. Table 7-50 lists the use of the registers in legacy mode and Table 7-50 lists the use of the registers when using the extended interrupts functionality

Table 7-50. Interrupt Registers - Legacy Mode

| Register | Acronym | Function |
|---------------------------------|---------|--|
| Interrupt Cause | ICR | Records interrupt conditions. |
| Interrupt Cause Set | ICS | Allows software to set bits in the ICR. |
| Interrupt Mask Set/Read | IMS | Sets or reads bits in the interrupt mask. |
| Interrupt Mask Clear | IMC | Clears bits in the interrupt mask. |
| Interrupt Acknowledge Auto-mask | IAM | Under some conditions, the content of this register is copied to the mask register following read or write of ICR. |

Table 7-51. Interrupt Registers - Extended Mode

| Register | Acronym | Function |
|--|---------|---|
| Extended Interrupt Cause | EICR | Records interrupt causes from receive and transmit queues. An interrupt is signaled when unmasked bits in this register are set. |
| Extended Interrupt Cause Set | EICS | Allows software to set bits in the Interrupt Cause register. |
| Extended Interrupt Mask Set/Read | EIMS | Sets or read bits in the interrupt mask. |
| Extended Interrupt Mask Clear | EIMC | Clears bits in the interrupt mask. |
| Extended Interrupt Auto Clear | EIAC | Allows bits in the EICR to be cleared automatically following an MSI-X interrupt without a read or write of the EICR. |
| Extended Interrupt Acknowledge Auto-mask | EIAM | This register is used to decide which masks are cleared in the extended mask register following read or write of EICR or which masks are set following a write to EICS. In MSI-X mode, this register also controls which bits in EIMC are cleared automatically following an MSI-X interrupt. |
| Interrupt Cause | ICR | Records interrupt conditions for special conditions - a single interrupt from all the conditions of ICR is reflected in the "other" field of the EICR. |
| Interrupt Cause Set | ICS | Allows software to set bits in the ICR. |
| Interrupt Mask Set/Read | IMS | Sets or reads bits in the other interrupt mask. |
| Interrupt Mask Clear | IMC | Clears bits in the Other interrupt mask. |
| Interrupt Acknowledge Auto-mask | IAM | Under some conditions, the content of this register is copied to the mask register following read or write of ICR. |
| General Purpose Interrupt Enable | GPIE | Controls different behaviors of the interrupt mechanism. |

7.3.3.1 Interrupt Cause Register (ICR)

7.3.3.1.1 Legacy Mode

In Legacy mode, ICR is used as the sole interrupt cause register. Upon reception of an interrupt, the interrupt handling routine can read this register in order to find out what are the causes of this interrupt.

7.3.3.1.2 Advanced Mode



In advanced mode, this register captures the interrupt causes not directly captured by the EICR. These are infrequent management interrupts and error conditions.

Note that when EICR is used in advanced mode, the Rx /Tx related bits in ICR should be masked.

ICR bits are cleared on register read. If `GPIE.NSICR = 0b`, then the clear on read occurs only if no bit is set in the *IMS* register or at least one bit is set in the *IMS* register and there is a true interrupt as reflected in the *ICR.INTA* bit.

7.3.3.2 Interrupt Cause Set Register (ICS)

This register allows software to set bits in the ICR register. Writing a 1b in an *ICS* bit causes the corresponding bit in the ICR register to be set. Used usually to re-arm interrupts the software device driver didn't have time to handle in the current interrupt routine.

7.3.3.3 Interrupt Mask Set/Read Register (IMS)

An interrupt is enabled if its corresponding mask bit in this register is set to 1b, and disabled if its corresponding mask bit is set to 0b. A PCIe interrupt is generated whenever one of the bits in this register is set, and the corresponding interrupt condition occurs. The occurrence of an interrupt condition is reflected by having a bit set in the Interrupt Cause Register (ICR).

Reading this register returns which bits have an interrupt mask set.

A particular interrupt might be enabled by writing a 1b to the corresponding mask bit in this register. Any bits written with a 0b are unchanged. Thus, if software desires to disable a particular interrupt condition that had been previously enabled, it must write to the Interrupt Mask Clear (IMC) Register, rather than writing a 0b to a bit in this register.

7.3.3.4 Interrupt Mask Clear Register (IMC)

Software blocks interrupts by clearing the corresponding mask bit. This is accomplished by writing a 1b to the corresponding bit in this register. Bits written with 0b are unchanged (their mask status does not change).

7.3.3.5 Interrupt Acknowledge Auto-mask register (IAM)

An ICR read or write has the side effect of writing the contents of this register to the IMC register to auto-mask additional interrupts from the *ICR* bits in the locations where the *IAM* bits are set. If `GPIE.NSICR = 0b`, then the copy of this register to the IMC register occurs only if at least one bit is set in the *IMS* register and there is a true interrupt as reflected in the *ICR.INTA* bit.

7.3.3.6 Extended Interrupt Cause Registers (EICR)

7.3.3.6.1 MSI/INT-A Mode (GPIE.Multiple_MSIX = 0b)

This register records the interrupts causes, to provide Software with information on the interrupt source.

The interrupt causes include:



1. The Receive and Transmit queues — Each queue (either Tx or Rx) can be mapped to one of the 4 interrupt causes bits (RXTxQ) available in this register according to the mapping in the *IVAR* registers
2. Indication for the TCP timer interrupt.
3. Legacy and other indications — When any interrupt in the Interrupt Cause register is active.

Writing a 1b clears the corresponding bit in this register. Reading this register auto-clears all bits.

7.3.3.6.2 MSI-X Mode (GPiE.Multiple_MSIX = 1b)

This register records the interrupt vectors currently emitted. In this mode only the first 5 bits are valid.

For all the subsequent registers, in MSI-X mode, each bit controls the behavior of one vector.

Bits in this register can be configured to auto-clear when the MSI-X interrupt message is sent, in order to minimize driver overhead when using MSI-X interrupt signaling.

Writing a 1b clears the corresponding bit in this register. Reading this register does not clear any bits.

7.3.3.7 Extended Interrupt Cause Set Register (EICS)

This register enables the software device driver to set *EICR* bits. Writing a 1b in a *EICS* bit causes the corresponding bit in the *EICR* register to be set. Used usually to re-arm interrupts that the software didn't have time to handle in the current interrupt routine.

7.3.3.8 Extended Interrupt Mask Set and Read Register (EIMS) & Extended Interrupt Mask Clear Register (EIMC)

Interrupts appear on PCIe only if the interrupt cause bit is a one and the corresponding interrupt mask bit is a one. Software blocks assertion of an interrupt by clearing the corresponding bit in the mask register. The cause bit stores the interrupt event regardless of the state of the mask bit. Different Clear (EIMC) and set (EIMS) registers make this register more “thread safe” by avoiding a read-modify-write operation on the mask register. The mask bit is set for each bit written as a one in the set register (EIMS) and cleared for each bit written as a one in the clear register (EIMC). Reading the set register (EIMS) returns the current mask register value.

7.3.3.9 Extended Interrupt Auto Clear Enable Register (EIAC)

Each bit in this register enables clearing of the corresponding bit in *EICR* following interrupt generation. When a bit is set, the corresponding bit in the *EICR* register is automatically cleared following an interrupt. This feature should only be used in MSI-X mode.

When used in conjunction with MSI-X interrupt vector, this feature allows interrupt cause recognition, and selective interrupt cause, without requiring software to read or write the *EICR* register; therefore, the penalty related to a PCIe read or write transaction is avoided.

See [section 7.3.4](#) for additional information on the interrupt cause reset process.



7.3.3.10 Extended Interrupt Auto Mask Enable Register (EIAM)

Each bit set in this register enables clearing of the corresponding bit in the extended mask register following read or write-to-clear to EICR. It also enables setting of the corresponding bit in the extended mask register following a write-to-set to EICS.

This mode is provided in case MSI-X is not used, and therefore auto-clear through EIAC register is not available.

In MSI-X mode, the driver software might set the bits of this register to select mask bits that must be reset during interrupt processing. In this mode, each bit in this register enables clearing of the corresponding bit in EIMC following interrupt generation.

7.3.3.11 GPIE Register

There are a few bits in the GPIE register that define the behavior of the interrupt mechanism. The setting of these bits is different in each mode of operation. Table 7-52 lists the recommended setting of these bits in the different modes:

Table 7-52. Settings for Different Interrupt Modes

| Field | Bit(s) | Initial Value | Description | INT-x/ MSI + Legacy | INT-x/ MSI + Extend | MSI-X Multi Vector | MSI-X Single Vector |
|----------------|--------|---------------|---|---------------------------|---------------------------|--------------------------|---------------------------|
| NSICR | 0 | 0b | Non Selective Interrupt clear on read: When set, every read of the ICR register clears the ICR register. When this bit is cleared, an ICR register read causes the ICR register to be cleared only if an actual interrupt was asserted or IMS = 0x0. | 0b ¹ | 1b | 1b | 1b |
| Multiple_ MSIX | 4 | 0b | Multiple_ MSI-X - multiple vectors: 0b = non-MSI-X or MSI-X with 1 vector <i>IVAR</i> maps Rx/Tx causes to 4 <i>EICR</i> bits, but <i>MSIX</i> [0] is asserted for all. 1b = <i>MSIX</i> mode, <i>IVAR</i> maps Rx/Tx causes to 5 <i>EICR</i> bits. When set, the <i>EICR</i> register is not clear on read. | 0b | 0b | 1b | 0b |
| EIAME | 30 | 0b | EIAME: When set, upon firing of an MSI-X message, mask bits set in EIAM associated with this message are cleared. Otherwise, EIAM is used only upon read or write of EICR/EICS registers. | 0b | 0b | 1b | 1b |
| PBA_ support | 31 | 0b | PBA support: When set, setting one of the extended interrupts masks via EIMS causes the <i>PBA</i> bit of the associated MSI-X vector to be cleared. Otherwise, the I210 behaves in a way that supports legacy INT-x interrupts. Should be cleared when working in INT-x or MSI mode and set in MSI-X mode. | 0b | 0b | 1b | 1b |

1. In systems where interrupt sharing is not expected, the *NSICR* bit can be set by legacy drivers also.

As this register affects the way the hardware interprets write operations to other interrupt control registers, it should be set to the correct mode before accessing other interrupt control registers.

7.3.4 Clearing Interrupt Causes

The I210 has three methods available to clear EICR bits: Auto-clear, clear-on-write, and clear-on-read. *ICR* bits might only be cleared with clear-on-write or clear-on-read.



7.3.4.1 Auto-Clear

In systems that support MSI-X, the interrupt vector allows the interrupt service routine to know the interrupt cause without reading the EICR. With interrupt moderation active, software load from spurious interrupts is minimized. In this case, the software overhead of a I/O read or write can be avoided by setting appropriate EICR bits to auto-clear mode by setting the corresponding bits in the Extended Interrupt Auto-clear Enable Register (EIAC).

When auto-clear is enabled for an interrupt cause, the *EICR* bit is set when a cause event mapped to this vector occurs. When the EITR Counter reaches zero, the MSI-X message is sent on PCIe. Then the *EICR* bit is cleared and enabled to be set by a new cause event. The vector in the MSI-X message signals software the cause of the interrupt to be serviced.

It is possible that in the time after the *EICR* bit is cleared and the interrupt service routine services the cause, for example checking the transmit and receive queues, that another cause event occurs that is then serviced by this ISR call, yet the *EICR* bit remains set. This results in a “spurious interrupt”. Software can detect this case, for example if there are no entries that require service in the transmit and receive queues, and exit knowing that the interrupt has been automatically cleared. The use of interrupt moderations through the *EITR* register limits the extra software overhead that can be caused by these spurious interrupts.

7.3.4.2 Write to Clear

In the case where the driver wishes to configure itself in MSI-X mode to not use the “auto-clear” feature, it might clear the EICR bits by writing to the EICR register. Any bits written with a 1b is cleared. Any bits written with a 0b remain unchanged.

7.3.4.3 Read to Clear

The EICR and ICR registers are cleared on a read.

Note: The driver should never do a read-to-clear of the EICR when in MSI-X mode, since this might clear interrupt cause events which are processed by a different interrupt handler (assuming multiple vectors).

7.3.5 Interrupt Moderation

An interrupt is generated upon receiving of incoming packets, as throttled by the EITR registers (see [Section 8.8.14](#)). There is an *EITR* register per MSI-X vector.

In MSI-X mode, each active bit in EICR can trigger the interrupt vector it is allocated to. Following the allocation, the EITR corresponding to the MSI-X vector is tied to one or more bits in EICR.

When multi vector MSI-X is not activated, the interrupt moderation is controlled by register EITR[0].

Software can use EITR to limit the rate of delivery of interrupts to the host CPU. This register provides a guaranteed inter-interrupt delay between interrupts asserted by the network controller, regardless of network traffic conditions.

The following formula converts the inter-interrupt interval value to the common 'interrupts/sec.' performance metric:

$$\text{interrupts/sec} = (1 * 10^{-6}\text{sec} \times \text{interval})^{-1}$$



Note: In the I210 the interval granularity is 1 μs so some of the LSB bits of the interval are used for the low latency interrupt moderation.

For example, if the interval is programmed to 125d, the network controller guarantees the CPU is not interrupted by the network controller for at least 125 μs from the last interrupt. In this case, the maximum observable interrupt rate from the adapter should not exceed 8000 interrupts/sec.

Inversely, inter-interrupt interval value can be calculated as:

$$\text{inter-interrupt interval} = (1 * 10^{-6} \text{ sec} \times \text{interrupt/sec})^{-1}$$

The optimal performance setting for this register is system and configuration specific.

The Extended Interrupt Throttle Register should default to zero upon initialization and reset. It loads in the value programmed by the software after software initializes the device.

When software wants to force an immediate interrupt, for example after setting a bit in the EICR with the Extended Interrupt Cause Set register, a value of 0 can be written to the Counter to generate an interrupt immediately. This write should include re-writing the *Interval* field with the desired constant, as it is used to reload the Counter immediately for the next throttling interval.

The I210 implements interrupt moderation to reduce the number of interrupts software processes. The moderation scheme is based on the EITR (Interrupt Throttle Register). Each time an interrupt event happens, the corresponding bit in the EICR is activated. However, an interrupt message is not sent out



on the PCIe interface until the *EITR* counter assigned to that *EICR* bit has counted down to zero. As soon as the interrupt is issued, the *EITR* counter is reloaded with its initial value and the process repeats again. The interrupt flow should follow [Figure 7-15](#).

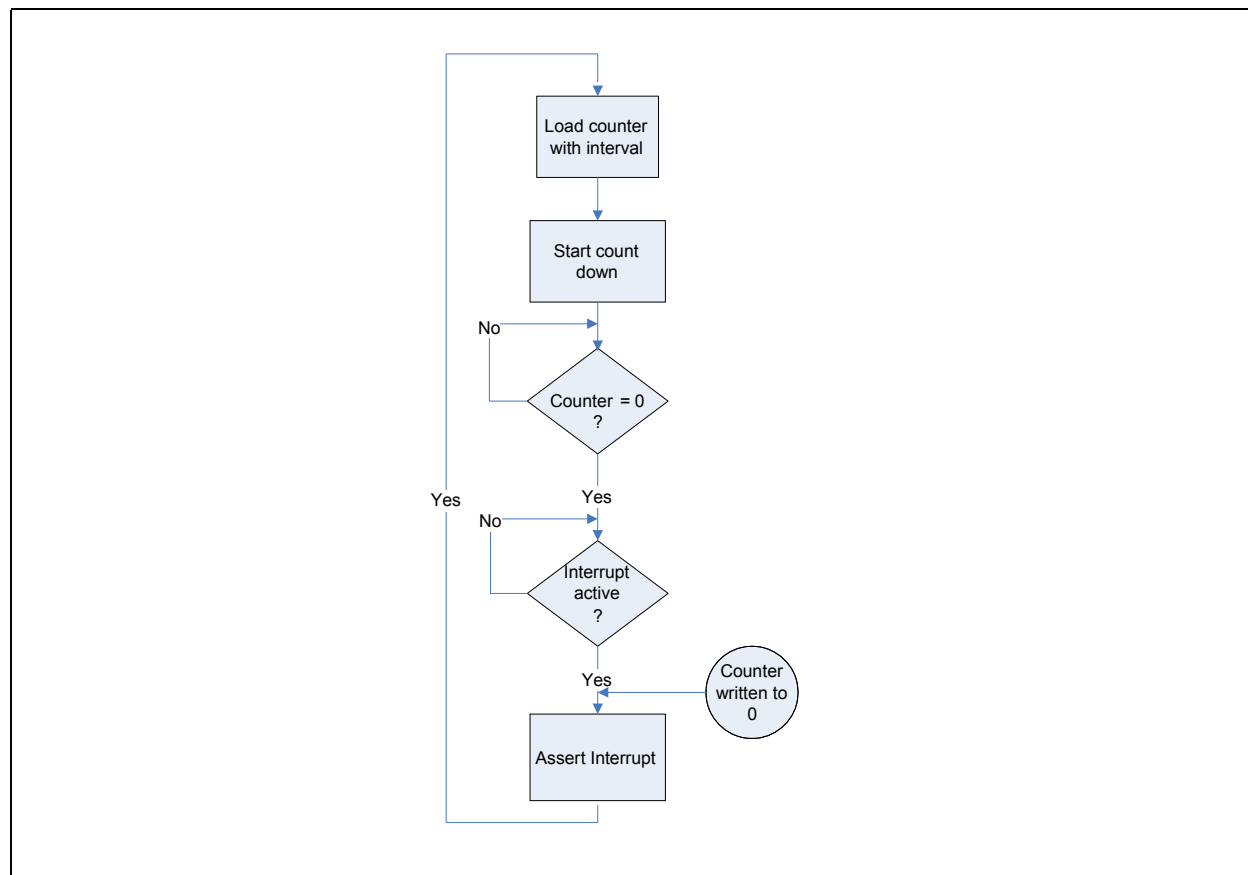


Figure 7-15. Interrupt Throttle Flow Diagram

EITR is designed to guarantee the total number of interrupts per second so for cases where the I210 is connected to a network with low traffic load, if the *EITR* counter counted down to zero and no interrupt event has happened, then the *EITR* counter is not re-armed but stays at zero. Thus, the next interrupt event triggers an interrupt immediately. That scenario is illustrated as Case B that follows.

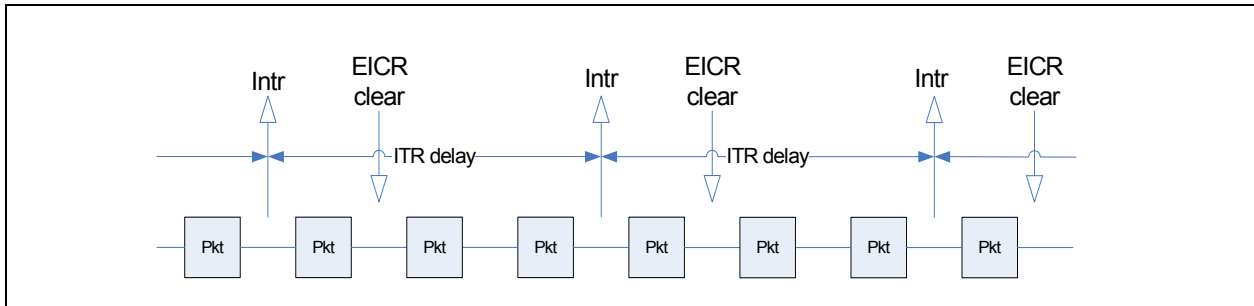


Figure 7-16. Case A: Heavy Load, Interrupts Moderated

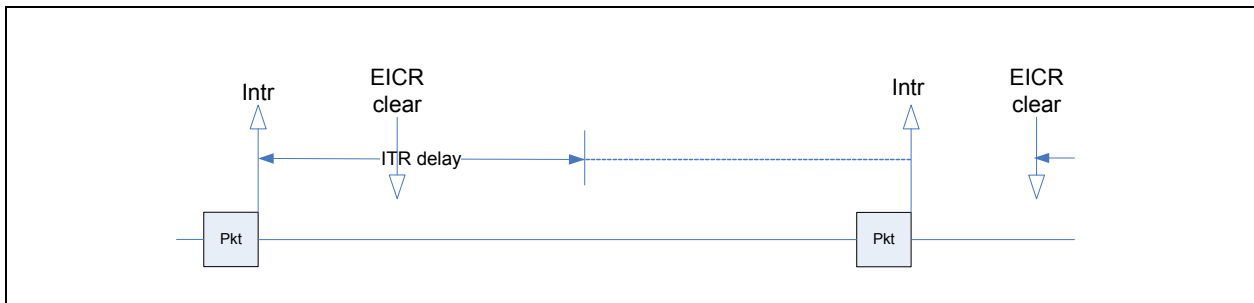


Figure 7-17. Light load, Interrupts Immediately on Packet Receive

7.3.6 Rate Controlled Low Latency Interrupts (LLI)

There are some types of network traffic for which latency is a critical issue. For these types of traffic, interrupt moderation hurts performance by increasing latency between the time a packet is received by hardware and the time it is handled to the host operating system. This traffic can be identified by the 2-tuple value, in conjunction with Control Bits and specific size. In addition packets with specific Ethernet types, TCP flag or specific VLAN priority might generate an immediate interrupt.

Low latency interrupts shares the filters used by the queueing mechanism described in [Section 7.1.1](#). Each of these filters, in addition to the queueing action might also indicate matching packets might generate immediate interrupt.

If a received packet matches one of these filters, hardware should interrupt immediately, overriding the interrupt moderation by the *EITR* counter.

Each time a Low Latency Interrupt is fired, the *EITR* interval is loaded and down-counting starts again.

The logic of the low latency interrupt mechanism is as follows:

- There are 8 2-tuple filters. The content of each filter is described in [Section 7.1.2.4](#). The immediate interrupt action of each filter can be enabled or disabled. If one of the filters detects an adequate packet, an immediate interrupt is issued.



- There are 8 flex filters. The content of each filter is described in [Section 7.1.2.5](#). The immediate interrupt action of each filter can be enabled or disabled. If one of the filters detects an adequate packet, an immediate interrupt is issued.
- When VLAN priority filtering is enabled, VLAN packets must trigger an immediate interrupt when the VLAN Priority is equal to or above the VLAN priority threshold. This is regardless of the status of the 2-tuple or Flex filters.
- The SYN packets filter defined in [Section 7.1.2.6](#) and the ethernet type filters defined in [Section 7.1.2.3](#) might also be used to indicate low latency interrupt conditions.

Note: Immediate interrupts are available only when using advanced receive descriptors and not for legacy descriptors.

Note: Packets that are dropped or have errors do not cause a Low Latency Interrupt.

7.3.6.1 Rate Control Mechanism

In a network with lots of latency sensitive traffics the Low Latency Interrupt can eliminate the Interrupt throttling capability by flooding the Host with too many interrupts (more than the Host can handle).

In order to mitigate the above, the I210 supports a credit base mechanism to control the rate of the Low Latency Interrupts.

Rules:

- The default value of each counter is 0b (no moderation). This also preserves backward compatibility.
- The counter increments at a configurable rate, and saturates at the maximum value (31d).
 - The configurable rate granularity is 4 μ s (250K interrupt/sec. down to 250K/32 \sim 8K interrupts per sec.).
- A LLI might be issued as long as the counter value is strictly positive (> zero).
 - The credit counter allows bursts of low latency interrupts but the interrupt average are not more than the configured rate.
- Each time a Low Latency Interrupt is fired the credit counter decrements by one.
- Once the counter reaches zero, a low latency interrupt cannot be fired
 - Must wait for the next ITR expired or for the next incrementing of this counter (if the EITR expired happened first the counter does not decrement).

The *EITR* and *GPIE* registers manage rate control of *LLI*:

- The *LL Interval* field in the *GPIE* register controls the rate of credits
- The 5-bit *LL Counter* field in the *EITR* register contains the credits

7.3.7 TCP Timer Interrupt

7.3.7.1 Introduction

The TCP Timer interrupt provides an accurate and efficient way for a periodic timer to be implemented using hardware. The driver would program a timeout value (usual value of 10 ms), and each time the timer expires, hardware sets a specific bit in the *EICR*. When an interrupt occurs (due to normal interrupt moderation schemes), software reads the *EICR* and discovers that it needs to process timer events during that DPC.



The timeout should be programmable by the driver, and the driver should be able to disable the timer interrupt if it is not needed.

7.3.7.2 Description

A stand-alone down-counter is implemented. An interrupt is issued each time the value of the counter is zero.

The software is responsible for setting initial value for the timer in the *TCPTIMER.Duration* field. Kick-starting is done by writing a 1b to the *TCPTIMER.KickStart* bit.

Following the kick-start, an internal counter is set to the value defined by the *TCPTIMER.Duration* field. Then during the count operation, the counter is decreased by one each millisecond. When the counter reaches zero, an interrupt is issued (see EICR register [Section 8.8.3](#)). The counter re-starts counting from its initial value if the *TCPTIMER.Loop* field is set.

7.3.8 Setting Interrupt Registers

In each mode, the registers controlling the interrupts should be set in a different way to assure the right behavior.

Table 7-53. Registers Settings for Different Interrupt Modes

| Field | Description | INT-x/MSI + Legacy | INT-x/ MSI + Extend | MSI-X Multi vector | MSI-X Single vector |
|-------------|--|--|---------------------|---------------------------|---------------------|
| IMS | Legacy Masks | Set ¹ | Set ² | Set ² | Set ² |
| IAM | Legacy Auto Mask Register | Might be set | 0x0 | 0x0 | 0x0 |
| EIMS | Extended Masks | Set Other Cause only. | Set ¹ | Set ¹ | Set ¹ |
| EIAC | Extended Auto Clear register | 0x0 | 0x0 | At least one ³ | 0x0 |
| EIAM | Extended Auto Mask Register | 0x0 | Set ¹ | | Set ¹ |
| EITR[0] | Interrupt Moderation register | Might be enabled | Might be enabled | Enable ⁴ | Enable |
| EITR[1...n] | Extended Interrupt Moderation register | Disable | Disable | Enable ⁴ | Disable |
| GPIE | Interrupts configuration | See Table 7-52 for details | | | |

1. According to the requested causes
2. Only non traffic causes.
3. EIAC or EIAM or both should be set for each cause.
4. EITR must be enabled if Auto Mask is disabled. If Auto Mask is enabled, moderation might be disabled for the specific vector.

7.4 802.1Q VLAN Support

The I210 provides several specific mechanisms to support 802.1Q VLANs:

- Optional adding (for transmits) and stripping (for receives) of IEEE 802.1Q VLAN tags.
- Optional ability to filter packets belonging to certain 802.1Q VLANs.
- Double VLAN Support.



7.4.1 802.1Q VLAN Packet Format

The following diagram compares an untagged 802.3 Ethernet packet with an 802.1Q VLAN tagged packet:

Table 7-54. Comparing Packets

| 802.3 Packet | | #Octets | 802.1Q VLAN Packet | | #Octets |
|--------------|--|---------|--------------------|--|---------|
| DA | | 6 | DA | | 6 |
| SA | | 6 | SA | | 6 |
| Type/Length | | 2 | 802.1Q Tag | | 4 |
| Data | | 46-1500 | Type/Length | | 2 |
| CRC | | 4 | Data | | 46-1500 |
| | | | CRC* | | 4 |

Note: The CRC for the 802.1Q tagged frame is re-computed, so that it covers the entire tagged frame including the 802.1Q tag header. Also, max frame size for an 802.1Q VLAN packet is 1522 octets as opposed to 1518 octets for a normal 802.3z Ethernet packet.

7.4.2 802.1Q Tagged Frames

For 802.1Q, the *Tag Header* field consists of four octets comprised of the Tag Protocol Identifier (TPID) and Tag Control Information (TCI); each taking 2 octets. The first 16 bits of the tag header makes up the TPID. It contains the “protocol type” which identifies the packet as a valid 802.1Q tagged packet.

The two octets making up the TCI contain three fields:

- User Priority (UP)
- Canonical Form Indicator (CFI). Should be 0b for transmits. For receives, the device has the capability to filter out packets that have this bit set. See the *CFIEN* and *CFI* bits in the *RCTL* described in [Section 8.10.1](#).
- VLAN Identifier (VID)

The bit ordering is as follows:

Table 7-55. TCI Bit Ordering

| Octet 1 | | | | | | Octet 2 | | | | | | | | | |
|---------|--|--|-----|-----|--|---------|--|--|--|--|--|--|--|--|--|
| UP | | | CFI | VID | | | | | | | | | | | |
| | | | | | | | | | | | | | | | |

7.4.3 Transmitting and Receiving 802.1Q Packets

7.4.3.1 Adding 802.1Q Tags on Transmits

Software might command the I210 to insert an 802.1Q VLAN tag on a per packet or per flow basis. If the *VLE* bit in the transmit descriptor is set to 1b, then the I210 inserts a VLAN tag into the packet that it transmits over the wire. 802.1Q tag insertion is done in different ways for legacy and advanced Tx descriptors:



- Legacy Transmit Descriptors: The Tag Control Information (TCI) of the 802.1Q tag comes from the *VLAN* field (see [Figure 7-8](#)) of the descriptor. Refer to [Table 7-26](#), for more information regarding hardware insertion of tags for transmits.
- Advanced Transmit Descriptor: The Tag Control Information (TCI) of the 802.1Q tag comes from the *VLAN Tag* field (see [Table 7.2.2.1](#)) of the advanced context descriptor. The *IDX* field of the advanced Tx descriptor should be set to the adequate context.

7.4.3.2 Stripping 802.1Q Tags on Receives

Software might instruct the I210 to strip 802.1Q VLAN tags from received packets. If VLAN stripping is enabled and the incoming packet is an 802.1Q VLAN packet (its *Ethernet Type* field matched the VET), then the I210 strips the 4 byte VLAN tag from the packet, and stores the TCI in the *VLAN Tag* field (see [Figure 7-4](#) and See "Receive UDP Fragmentation Checksum" of the receive descriptor).

The I210 also sets the *VP* bit in the receive descriptor to indicate that the packet had a VLAN tag that was stripped. If the *CTRL.VME* bit is not set, the 802.1Q packets can still be received if they pass the receive filter, but the VLAN tag is not stripped and the *VP* bit is not set.

VLAN stripping can be enabled using two different modes:

1. By setting the *DVMOLR.STRVLAN* for the relevant queue.
2. By setting the *CTRL.VME* bit.

7.4.4 802.1Q VLAN Packet Filtering

VLAN filtering is enabled by setting the *RCTL.VFE* bit to 1b. If enabled, hardware compares the type field of the incoming packet to a 16-bit field in the VLAN Ether Type (VET) register. If the VLAN type field in the incoming packet matches the VET register, the packet is then compared against the VLAN Filter Table Array (VFTA[127:0]) for acceptance.

The I210 provides exact VLAN filtering for VLAN tags for host traffic and VLAN tags for manageability traffic.

7.4.4.1 Host VLAN Filtering:

The *Virtual LAN ID* field indexes a 4096 bit vector. If the indexed bit in the vector is one; there is a Virtual LAN match. Software might set the entire bit vector to ones if the node does not implement 802.1Q filtering. The register description of the VLAN Filter Table Array is described in detail in [Section 8.10.18](#).

In summary, the 4096-bit vector is comprised of 128, 32-bit registers. The *VLAN Identifier (VID)* field consists of 12 bits. The upper 7 bits of this field are decoded to determine the 32-bit register in the VLAN Filter Table Array to address and the lower 5 bits determine which of the 32 bits in the register to evaluate for matching.

7.4.4.2 Manageability VLAN Filtering:

The MC configures the I210 with eight different manageability VLANs via the Management VLAN TAG Value [7:0] - MAVTV[7:0] registers and enables each filter in the MDEF register.

Two other bits in the Receive Control register (see [Section 8.10.1](#)), CFIEN and CFI, are also used in conjunction with 802.1Q VLAN filtering operations. CFIEN enables the comparison of the value of the *CFI* bit in the 802.1Q packet to the Receive Control register *CFI* bit as acceptance criteria for the packet.



Note: The *VFE* bit does not affect whether the VLAN tag is stripped. It only affects whether the VLAN packet passes the receive filter.

Table 7-56 lists reception actions per control bit settings.

Table 7-56. Packet Reception Decision Table

| Is packet 802.1Q? | CTRL. VME | RCTL. VFE | Action |
|-------------------|----------------|----------------|--|
| No | X ¹ | X ¹ | Normal packet reception |
| Yes | 0b | 0b | Receive a VLAN packet if it passes the standard MAC address filters (only). Leave the packet as received in the data buffer. <i>VP</i> bit in receive descriptor is cleared. |
| Yes | 0b | 1b | Receive a VLAN packet if it passes the standard filters and the VLAN filter table. Leave the packet as received in the data buffer (the VLAN tag would not be stripped). <i>VP</i> bit in receive descriptor is cleared. |
| Yes | 1b | 0b | Receive a VLAN packet if it passes the standard filters (only). Strip off the VLAN information (four bytes) from the incoming packet and store in the descriptor. Sets <i>VP</i> bit in receive descriptor. |
| Yes | 1b | 1b | Receive a VLAN packet if it passes the standard filters and the VLAN filter table. Strip off the VLAN information (four bytes) from the incoming packet and store in the descriptor. Sets <i>VP</i> bit in receive descriptor. |

1. X - Don't care

Note: A packet is defined as a VLAN/802.1Q packet if its type field matches the *VET*.

7.4.5 Double VLAN Support

The I210 supports a mode where most of the received and sent packet have at least one VLAN tag in addition to the regular tagging which might optionally be added. This mode is used for systems where the switches add an additional tag containing switching information.

Note: The only packets that might not have the additional VLAN are local packets that does not have any VLAN tag.

This mode is activated by setting *CTRL_EXT.EXT_VLAN* bit. The default value of this bit is set according to the *EXT_VLAN* (bit 1) in the *Initialization Control 3* Flash word.

The type of the VLAN tag used for the additional VLAN is defined in the *VET.VET_EXT* field.

7.4.5.1 Transmit Behavior With External VLAN

It is expected that the driver include the external VLAN header as part of the transmit data structure. Software might post the internal VLAN header as part of the transmit data structure or embedded in the transmit descriptor (see Section 7.2.2 for details). The I210 does not relate to the external VLAN header other than the capability of "skipping" it for parsing of inner fields.

Notes:

- If the *CTRL_EXT.EXT_VLAN* bit is set the VLAN header in a packet that carries a single VLAN header is treated as the external VLAN.
- If the *CTRL_EXT.EXT_VLAN* bit is set the I210 expects that any transmitted packet to have at least the external VLAN added by the software. For those packets where an external VLAN is not present, any offload that relates to inner fields to the EtherType might not be provided.



- If the regular VLAN is inserted using the switch based VLAN insertion mechanism or from the descriptor (see [Section 7.4.3.1](#)), and the packet does not contain an external VLAN, the packet is dropped, and if configured, the queue from which the packet was sent is disabled.

7.4.5.2 Receive Behavior With External VLAN

When the I210 is working in this mode, it assumes that all packets received have at least one VLAN, including a packet received or sent on the manageability interface.

One exception to this rule are flow control PAUSE packets which are not expected to have any VLAN. Other packets might contain no VLAN, however a received packet that does not contain the first VLAN is forwarded to the host but filtering and offloads are not applied to this packet.

See [Table 7-57](#) for the supported receive processing functions when the device is set to “Double VLAN” mode.

Stripping of VLAN is done on the second VLAN if it exists. All the filtering functions of the I210 ignore the first VLAN in this mode.

The presence of a first VLAN tag is indicated in the *RDESC.STATUS.VEXT* bit.

Queue assignment of the Rx packets is not affected by the external VLAN header. It might depend on the internal VLAN, MAC address or any upper layer content as described in [Section 7.1.1](#).

Table 7-57. Receive Processing in Double VLAN Mode

| VLAN Headers | Status.VEXT | Status.VP | Packet Parsing | Rx Offload Functions |
|-----------------------|---------------|-----------|----------------------|----------------------|
| External and internal | 1 | 1 | + | + |
| Internal Only | Not supported | | | |
| V-Ext | 1 | 0 | + | + |
| None ¹ | 0 | 0 | +(flow control only) | - |

1. A few examples for packets that might not carry any VLAN header might be: Flow control and Priority Flow Control; LACP; LLDP; GMRP; 802.1x packets

7.5 Configurable LED Outputs

The I210 implements 3 output drivers intended for driving external LED circuits. Each of the 3 LED outputs can be individually configured to select the particular event, state, or activity, which is indicated on that output. In addition, each LED can be individually configured for output polarity as well as for blinking versus non-blinking (steady-state) indication.

The configuration for LED outputs is specified via the *LEDCTL* register. Furthermore, the hardware-default configuration for all the LED outputs, can be specified via Flash fields, thereby supporting LED displays configurable to a particular OEM preference.

Each of the 3 LED's might be configured to use one of a variety of sources for output indication. The MODE bits control the LED source as described in [Table 7-58](#).

The IVRT bits allow the LED source to be inverted before being output or observed by the blink-control logic. LED outputs are assumed to normally be connected to the negative side (cathode) of an external LED.



The BLINK bits control whether the LED should be blinked (on for 200ms, then off for 200ms) while the LED source is asserted. The blink control might be especially useful for ensuring that certain events, such as ACTIVITY indication, cause LED transitions, which are sufficiently visible by a human eye.

Note: When LED Blink mode is enabled the appropriate LED Invert bit should be set to 0b. The LINK/ACTIVITY source functions slightly different from the others when BLINK is enabled. The LED is off if there is no LINK, on if there is LINK and no ACTIVITY, and blinking if there is LINK and ACTIVITY.

The dynamic LED modes (FILTER_ACTIVITY, LINK/ACTIVITY, COLLISION, ACTIVITY, PAUSED) should be used with LED Blink mode enabled.

7.5.1 MODE Encoding for LED Outputs

Table 7-58 lists the MODE encoding for LED outputs used to select the desired LED signal source for each LED output.

Table 7-58. Mode Encoding for LED Outputs

| Mode | Selected Mode | Source Indication |
|-------|-----------------|---|
| 0000b | LINK_10/1000 | Asserted when either 10 or 1000 Mb/s link is established and maintained. |
| 0001b | LINK_100/1000 | Asserted when either 100 or 1000 Mb/s link is established and maintained. |
| 0010b | LINK_UP | Asserted when any speed link is established and maintained. |
| 0011b | FILTER_ACTIVITY | Asserted when link is established and packets are being transmitted or received that passed MAC filtering. |
| 0100b | LINK/ACTIVITY | Asserted when link is established and when there is no transmit or receive activity. When BLINK, indicates LINK and activity (either receive or transmit) |
| 0101b | LINK_10 | Asserted when a 10 Mb/s link is established and maintained. |
| 0110b | LINK_100 | Asserted when a 100 Mb/s link is established and maintained. |
| 0111b | LINK_1000 | Asserted when a 1000 Mb/s link is established and maintained. |
| 1000b | SDP_MODE | LED activation is a reflection of the SDP signal. SDP0, SDP1, SDP2 are reflected to LED0, LED1, LED2 respectively. |
| 1001b | FULL_DUPLEX | Asserted when the link is configured for full duplex operation (de-asserted in half-duplex). |
| 1010b | COLLISION | Asserted when a collision is observed. |
| 1011b | ACTIVITY | Asserted when link is established and packets are being transmitted or received. |
| 1100b | LINK_10/100 | Asserted when either 10 or 100 Mb/s link is established and maintained. |
| 1101b | PAUSED | Asserted when the I210's transmitter is flow controlled. |
| 1110b | LED_ON | Always high (Asserted) |
| 1111b | LED_OFF | Always low (De-asserted) |

7.6 Memory Error Correction and Detection

The I210 main internal memories are protected by error correcting code or parity bits. Large memories or critical memories are protected by an error correcting code (ECC). Smaller memories are protected either with an error correcting code (ECC for critical memories) or by parity.



The I210 reports parity errors in the *PEIND* register according to the region in which the parity error occurred (PCIe, DMA, LAN Port or Management). An interrupt is issued via the *ICR.FER* bit on occurrence of a parity error. Parity error interrupt generation per region can be masked via the *PEINDM* register.

Additional per region granularity in parity or ECC enablement and reporting of parity error or ECC parity correction occurrence is supported in the following registers:

1. PCIe region:
 - a. The *PCIEERRCTL* and *PCIEECCCTL* registers enable parity checks and ECC parity correction respectively in the various rams in the PCIe region.
 - b. The *PCIEERRSTS* and *PCIEECCSTS* registers report parity error and ECC parity correction occurrence in the various rams in the PCIe region. Only parity errors that were not corrected by the ECC circuitry are reported by asserting the *PEIND.pcie_parity_fatal_ind* bit and the *ICR.FER* bit. Parity errors that were corrected by the internal ECC circuit do not generate an interrupt but are logged in the *PCIEECCSTS* register.
2. DMA region:
 - a. The *PBECCSTS* register enables ECC parity correction in the various rams in the DMA region.
 - b. The *PBECCSTS* register reports occurrence of ECC parity correction events in the various rams in the DMA region. Only parity errors that were not corrected are reported by setting the *PEIND.dma_parity_fatal_ind* bit and the *ICR.FER* bit. Parity errors that were corrected by the internal ECC circuitry don't generate an interrupt but are logged in the *PBECCSTS* register.
3. LAN Port region:
 - a. The *LANPERRCTL* register enables parity checks in the various rams in the LAN Port region.
 - b. The *LANPERRSTS* register reports detection of parity errors. The parity errors that were not corrected are reported via the *PEIND.lanport_parity_fatal_ind* bit and the *ICR.FER* bit.

Notes:

1. An interrupt to the Host is generated on occurrence of a fatal memory error if the appropriate mask bits in the *PEINDM* register are set and the *IMS.FER* Mask bit is set.
2. All Parity error checking can be disabled via the *GPAR_EN* bit in the *Initialization Control Word 1* Flash word (See [Section 6.2.2](#)) or by clearing the *PCIEERRCTL.GPAR_EN* bit (See [Section 8.24.4](#)).

7.6.1 Software Recovery From Parity Error Event

If a parity error was detected in one of the internal control memories of the DMA, PCIe or LAN port clusters, the consistency of the receive/transmit flow can not be guaranteed any more. In this case the traffic on the PCIe interface is stopped, since this is considered a fatal error.

To recover from a parity error event software should initiate the following actions depending on the region in which the parity error occurred.

7.6.1.1 Recovery from PCIe Parity Error Event

To recover from a parity error condition in the PCIe region, the software device driver should:

1. Issue a Device Reset by asserting the *CTRL.RST* bit.
2. wait at least 3 milliseconds after setting *CTRL.RST* bit before attempting to check if the bit was cleared or before attempting to access any other register.
3. Initiate the master disable algorithm as defined in [Section 5.2.3.3](#).
4. Clear the PCIe parity error status bits that were set in the *PCIEERRSTS* register.



5. Re-initialize the port.

7.6.1.2 Recovery from DMA Parity Error Event

To recover from a parity error condition in the DMA region, the software device driver should issue a software reset by asserting the *CTRL.RST* bit as specified in Section 4.3.1 and re-initializing the port.

7.6.1.3 Recovery from LAN Port Parity Error Event

To recover from a parity error condition in the LAN port region, the software device driver should take the actions depicted in Section 8.24.11 (*LANPERRSTS* register) according to the ram that failed.

7.7 CPU Affinity Features

7.7.1 Direct Cache Access (DCA)

7.7.1.1 DCA Description

Direct Cache Access (DCA) is a method to improve network I/O performance by placing some posted inbound writes indirectly within CPU cache. DCA requires that memory writes go to host memory and then the processor prefetch the cache lines specified by the memory write. Through research and experiments, DCA has been shown to reduce CPU Cache miss rates significantly.

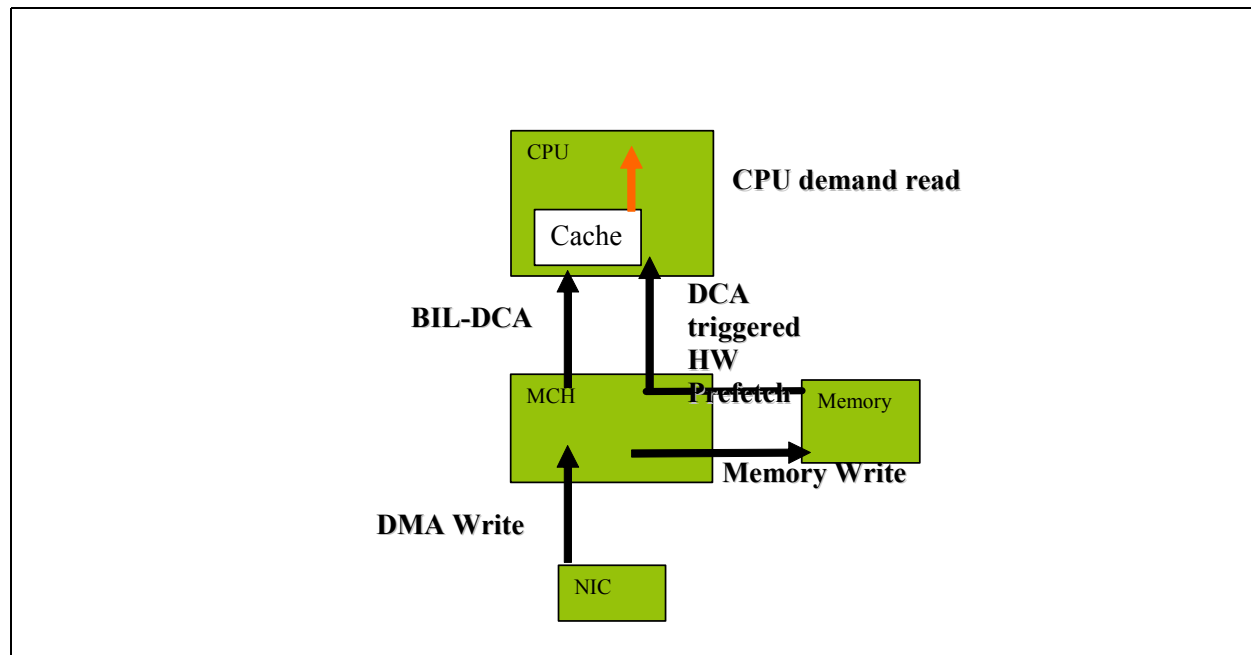


Figure 7-18. Diagram of DCA Implementation on FSB System



As shown in [Figure 7-18](#), DCA provides a mechanism where the posted write data from an I/O device, such as an Ethernet NIC, can be placed into CPU cache with a hardware pre-fetch. This mechanism is initialized upon a power good reset. A software device driver for the I/O device configures the I/O device for DCA and sets up the appropriate DCA target ID for the device to send data. The device then encapsulates that information in PCIe TLP headers, in the *TAG* field, to trigger a hardware pre-fetch by the MCH /IOH to the CPU cache.

DCA implementation is controlled by separated registers (*RXCTL* and *TXCTL*) for each receive and transmit queue. In addition, a *DCA Enable* bit can be found in the *DCA_CTRL* register, and a *DCA_ID* register, in order to make visible the function, device, and bus numbers to the driver.

The *RXCTL* and *TXCTL* registers can be written by software on the fly and can be changed at any time. When software changes the register contents, hardware applies changes only after all the previous packets in progress for DCA have been completed.

However, in order to implement DCA, the I210 has to be aware of the Crystal Beach version used. Software driver must initialize the I210 to be aware of the Crystal Beach version. A register named *DCA_CTRL* is used in order to properly define the system configuration.

There are 2 modes for DCA implementation:

1. Legacy DCA: The DCA target ID is derived from CPU ID.
2. DCA: The DCA target ID is derived from APIC ID.

The software driver selects one of these modes through the *DCA_mode* register.

The details of both modes are described in the following sections.

7.7.1.2 Details of Implementation

7.7.1.2.1 PCIe Message Format for DCA



Figure 7-19 shows the format of the PCIe message for DCA.

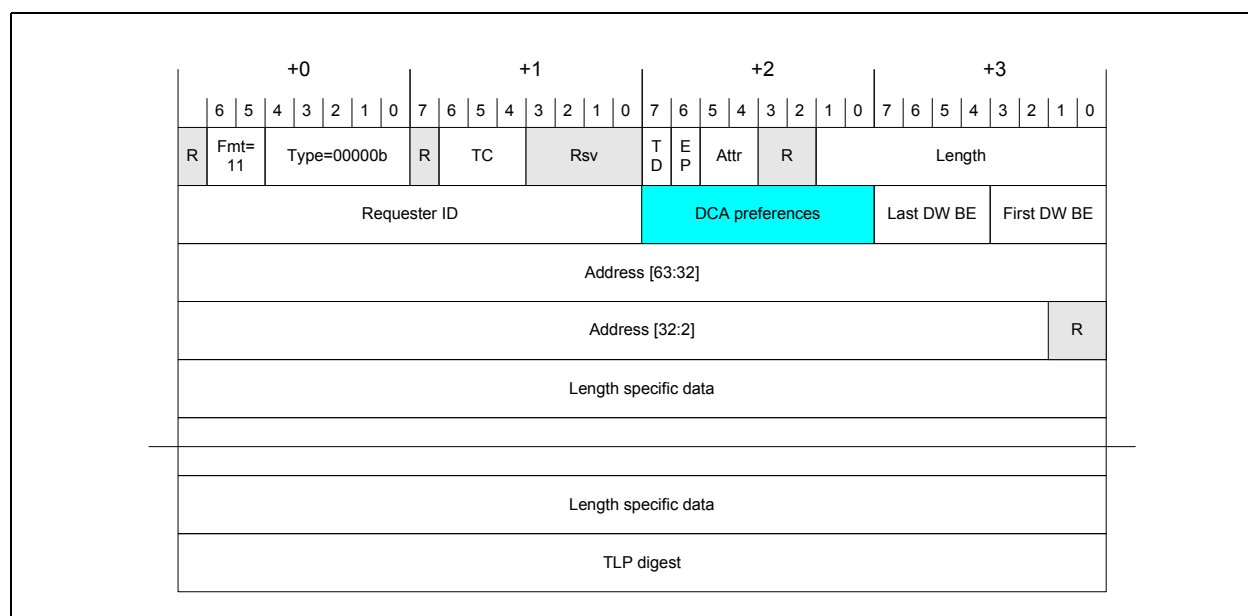


Figure 7-19. PCIe Message Format for DCA

The DCA preferences field has the following formats.

Table 7-59. Legacy DCA Systems

| Bits | Name | Description |
|------|----------------|--|
| 0 | DCA indication | 0b: DCA disabled 1b: DCA enabled |
| 3:1 | DCA Target ID | The DCA Target ID specifies the target cache for the data. |
| 7:4 | Reserved | Reserved |

Table 7-60. DCA Systems

| Bits | Name | Description |
|------|---------------|--|
| 7:0 | DCA target ID | 0000.0000b: DCA is disabled Other: Target Core ID derived from APIC ID. |

7.7.2 TLP Process Hints (TPH)

The I210 supports the TPH capability defined in the PCI Express specification (See Section 9.5). It does not support Extended TPH requests.



On the PCIe link existence of a TLP Process Hint (TPH) is indicated by setting the *TH* bit in the TLP header. Using the PCIe TLP Steering Tag (ST) and Processing Hints (PH) fields, the I210 can provide hints to the root complex about the destination (socket ID) and about data access patterns (locality in Cache), when executing DMA memory writes or read operations. Supply of TLP Processing Hints facilitates optimized processing of transactions that target Memory Space.

The I210 supports a steering table with 8 entries in the PCIe TPH capability structure (See Section 9.5.3.4). The PCIe Steering table can be used by Software to provide Steering Tag information to the Device via the *TXCTL.CPUID* and *RXCTL.CPUID* fields.

To enable TPH usage:

1. For a given function, the *TPH Requester Enable* bit in the PCIe configuration *TPH Requester Control Register* should be set.
2. Appropriate TPH Enable bits in *RXCTL* or *TXCTL* registers should be set.
3. Processing hints should be programmed in the *DCA_CTRL.Desc_PH* and *DCA_CTRL.Data_PH* Processing hints (PH) fields.
4. Steering information should be programmed in the CPUID fields in the *RXCTL* and *TXCTL* registers.

The Processing Hints (PH) and Steering Tags (ST) are set according to the characteristics of the traffic as described in Table 7-61.

Note: In order to enable TPH usage, all the memory reads are done without setting any of the byte enable bits.

Note: Per queue, the DCA and TPH features are exclusive. Software can enable either the DCA feature or the TPH feature for a given queue.

7.7.2.1 Steering Tag and Processing Hint Programming

Table 7-61 lists how the Steering tag (socket ID) and Processing hints are generated and how TPH operation is enabled for different types of DMA traffic.

Table 7-61. Steering Tag and Processing Hint Programming

| Traffic Type | ST Programming | PH Value | Enable |
|---|--------------------------|--------------------------------------|--|
| Transmit descriptor write back or head write back | TXCTL.CPUID ¹ | <i>DCA_CTRL.Desc_PH</i> ² | <i>Tx Descriptor Writeback TPH EN</i> field in <i>TXCTL</i> . |
| Receive data buffers write | RXCTL.CPUID ¹ | <i>DCA_CTRL.Data_PH</i> ³ | <i>RX Header TPH EN</i> or <i>Rx Payload TPH EN</i> fields in <i>RXCTL</i> . |
| Receive descriptor writeback | RXCTL.CPUID ¹ | <i>DCA_CTRL.Desc_PH</i> ² | <i>RX Descriptor Writeback TPH EN</i> field in <i>RXCTL</i> . |
| Transmit descriptor fetch | TXCTL.CPUID ⁴ | <i>DCA_CTRL.Desc_PH</i> ² | <i>Tx Descriptor Fetch TPH EN</i> field in <i>TXCTL</i> . |
| Receive descriptor fetch | RXCTL.CPUID ² | <i>DCA_CTRL.Desc_PH</i> ² | <i>Rx Descriptor fetch TPH EN</i> field in <i>RXCTL</i> . |
| Transmit packet read | TXCTL.CPUID ² | <i>DCA_CTRL.Data_PH</i> ³ | <i>Tx Packet TPH EN</i> field in <i>TXCTL</i> . |

1. the driver should always set bits [7:3] to zero and place Socket ID in bits [2:0].
2. Default is 00b (Bidirectional data structure).
3. Default is 10b (Target).
4. the hints are always zero.



7.8 Time SYNC (IEEE1588 and IEEE 802.1AS)

7.8.1 Overview

IEEE 1588 addresses the clock synchronization requirements of measurement and control systems. The protocol supports system-wide synchronization accuracy in the sub-microsecond range with minimal network and local clock computing resources. The protocol is spatially localized and allows simple systems to be installed and operate.

The IEEE802.1AS standard specifies the protocol used to ensure that synchronization requirements are met for time sensitive applications, such as audio and video, across bridged and Virtual Bridged Local Area Networks (VLAN) consisting of LAN media where the transmission delays are almost fixed and symmetrical. For example, IEEE 802.3 full duplex links. This includes the maintenance of synchronized time during normal operation and following addition, removal, or failure of network components and network re-configuration. It specifies the use of IEEE 1588 specifications where applicable.

Activation of the I210 Time Sync mechanism is possible in full duplex mode only. No limitations on wire speed exist, although wire speed might affect the accuracy. Time Sync protocol is tolerant of dropping packets as well as missing timestamps.

7.8.2 Flow and Hardware/Software Responsibilities

The operation of a PTP (Precision Time Protocol) enabled network is divided into two stages, initialization and time synchronization. These stages are described in the sections that follow emphasizing hardware and software roles.

7.8.2.1 Initialization Phase

At the initialization stage the software on every master enabled node starts by sending Sync packets that include its clock parameters. Upon reception of a Sync packet a node, the software on any potential master, compares the received clock parameters to its own parameters. If the received clock parameters of a peer are better, the software transits to Slave state and stops sending Sync packets. When in slave state, the software selects a particular master. It compares continuously the received Sync packet to its selected master. If the received Sync packets belong to a different master with better clock parameters, the software on the slave switches to the new master. Eventually only one master (with the best clock parameters) remains active while all other nodes act as slaves listening to that master. Every node has a defined Sync packet time-out interval. If no Sync packet is received from its chosen master clock source during the interval the software on the master enabled nodes transit back to master state at initialization phase. Note that there are more than one option for the above flow. For example, one node could be set statically as the master while all other nodes are set as slaves listening to that master.

7.8.2.2 Time Synchronization Phase

There are two phases to the synchronization flow: At the beginning, the slave calibrates its clock to the master and then it performs the complete synchronization.

7.8.2.2.1 2-step Clocks Calibration Procedure

The master send SYNC packets periodically (in the order of 10 packets per second). These packets are followed by Follow_UP packets that indicate the transmission time. The slave captures the reception time of these SYNC packets. Together with the Follow_UP packets the slave holds the SYNC packet



transmission time at the master and its reception time at the slave. The slave calculates the time gap between consecutive SYNC packets defined by the master clock. It then calibrates itself to get the same time gap defined by its own clock. During this phase the slave also sets its time to be as close as possible to the master time (as accurate as the transmission delay and software latencies).

In order to minimize sampling inaccuracy, both master and slave sample the packets transmission and reception time at a location in the hardware that has as much as possible deterministic delay from the PHY interface.

Packet processing in the master and the Slave

- The master software indicates the SYNC packet to the hardware by setting the 2STEP_1588 flag in the Advanced Transmit Data Descriptor. Setting this flag, the hardware samples its transmission time by the TXSTMP register. The software reads its value and sends the transmission time in a Follow_Up packet.
- The SYNC packet is received by the slave and its reception time is posted to the “timestamp bytes” in the packet buffer in host memory. The Follow_Up packet is also received and posted to the software processing. The software uses these parameters to calculate the time gap between consecutive packets by its own clock compared to the master clock taking the required corrective action.

7.8.2.2.2 1-step Clocks Calibration Procedure

The I210 supports the 1-step procedure. In 1-step procedure, the hardware inserts the transmission time to the sent SYNC packets at the master (as follows). All the rest is the same as the 2-step procedure described above.

- The software indicates the SYNC packets to the hardware by setting the 1STEP_1588 flag in the Advanced Transmit Data Descriptor. Setting this flag, the hardware does the following:
 - Samples the packet transmission time
 - Auto-inserts the packet transmission timestamp at the offset defined by the *1588_Offset* field in the *TSYNCTXCTL* register
 - Insert the Ethernet CRC while including the timestamp in the CRC calculation
 - The UDP checksum is not updated by the inserted timestamp. It means that 1-step is limited for PTP over L2 or PTP over UDP/IPv4 while the UDP checksum is not used (equals to zero).

7.8.2.2.3 2-step Time Synchronization Phase Procedure

The complete synchronization scheme is shown in [Figure 7-20](#). It relies on measured timestamp of Sync packets transmission and reception by the master and the slave. The scheme is based on the following two basic assumptions:

- The clocks at both nodes are almost identical (achieved in the first step)
- Transmission delays between the master to the slave and backward are symmetric

The master’s software sends periodically Sync packets to each slave followed by the Follow_Up packet (as explained in the Clocks Calibration (2-step procedure)). The responds back by sending Delay_Req packets which are sampled by the slave and the master. The master provides back its parameters which are used by the slave to calibrate its time. Following are the detailed software hardware steps.

Packet processing in the master and the slave

- The master software sends the SYNC packet and Follow_Up packet as described in the Clocks Calibration (2-step procedure) procedure.
- Processing these packets by the slave is also the same as the Clocks Calibration (2-step procedure) procedure



- The slave software responds back by sending the Delay_Req packet (for those SYNC packets that the slave “wish” to respond). The Delay_Req packet is indicated to the hardware by setting the 2STEP_1588 flag in the Advanced Transmit Data Descriptor. The transmission time is extracted from the TXSTMP register the same as the master processes the transmitted SYNC packets.
- The Master receives the Delay_Req packet and its reception time is posted to the “timestamp bytes” in the packet buffer in host memory.
- The master software sends back the received timestamp to the slave which has all required timestamps.
- The slave adjust its time according to the following equation (or a low-pass version of the equation):

Slave Adjust Time = - [(T2-T1) - (T4-T3)] / 2

While using the following notations:

- **T1**: Sync packet transmission time in the master (based on master clock)
- **T2**: Sync packet reception time in the slave (based on slave clock)
- **T3**: Delay_Request transmission time in the slave (based on slave clock)
- **T4**: Delay_Request reception time in the master (based on master clock)

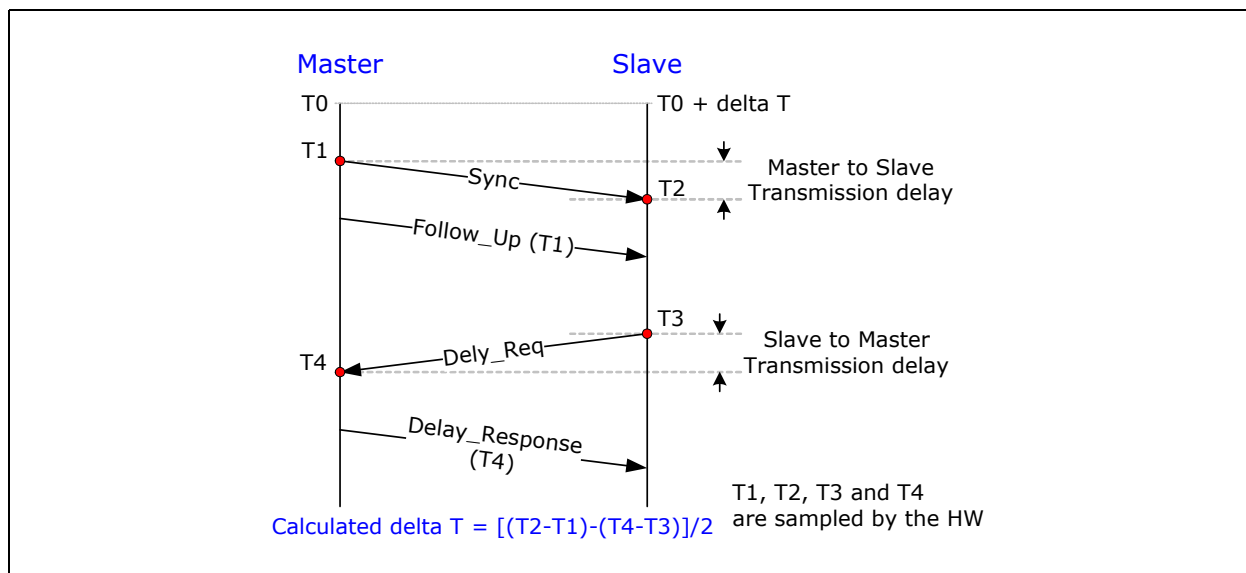


Figure 7-20. Sync Flow and Offset Calculation

7.8.2.2.4 1-step Time Synchronization Phase Procedure

Packet processing in the master and the Slave for 1-step procedure is almost identical to the 2-step procedure as follow:

- The master software sends the SYNC packet while indicating it to the hardware by the 1STEP_1588 flag. Doing so, the hardware inserts the transmission time in the SYNC packet.
- The slave samples the reception time of the SYNC and extract its transmission time at the master.
- From this point the flow is identical to the 2-step procedure.



7.8.2.3 TimeSync Indications in Receive and Transmit Packet Descriptors

Certain indications are transferred between software and hardware regarding PTP packets. These indications are enabled when the *Disable systime* bit in the *TSAUXC* register is cleared. Further more, transmit timestamping is enabled by the *TSYNCTXCTL.EN* flag. Received packets for captured time are identified according to the *TSYNCRXCTL.Type* and *CTRLT* and *MSGT* fields in the *TSYNCRXCFG* register.

2-step SYNC and Delay_Req packet transmission: The software sets the *2STEP_1588* bit in the Advanced Transmit Data Descriptor. The hardware samples the transmission time in the *TXSTMP* register. The software reads it for every packet and used the transmission time as required.

1-step SYNC packet transmission: On the transmit path the software sets the *1STEP_1588* bit in the Advanced Transmit Data Descriptor. It should also set previously the *1588_Offset* field in the *TSYNCTXCTL* register. The hardware samples the transmission time and inserts it in the transmitted packet at the offset defined by the *1588_Offset* field. The software should prepare the space in the transmitted packet by filling it with zero's while the hardware replaces these zero's by the transmission timestamp. The transmission time stamp is an 80-bit field while the 32 LS bits specify the transmission time in nsec units and the upper 48 bits specify the time in second units. Note that the 1588 timer in the I210 contains only 32 bits that specify the second units. The additional upper 16 bits are taken from the static *SYSTIMTM* register which is set by software (expected to be zero at all times). Timestamp transmission on the wire is as follows: The MS byte of the *SYSTIMTM* register is transmitted first while the LS byte of the nsec units is transmitted last (as shown in [Table 7-67](#)).

Packet reception: PTP packet identification is described in [Section 7.8.5](#). L2 packets that are identified by the EtherType are indicated by the "packet type" field in the receive descriptor. Those packets that the hardware samples its reception time are also indicated by the *TS* or *TSIP* flags in the advanced receive descriptors. Selecting between *TS* or *TSIP* reporting is controlled by the *Timestamp* flag in the *SRRCTL[n]* register (per receive queue). If the *TS* flag is set, the packet reception time is sampled by the hardware in the *RXSTMPL/H* registers. These registers are locked until the software reads its value. If the *TSIP* flag is set, the packet reception time is posted to the packet buffer in host memory as shown in [Section 7.1.6](#).

7.8.3 Hardware Time Sync Elements

All time sync hardware is initialized as defined in the registers section upon MAC reset. The time sync logic is enabled if the *TSAUXC.Disable systime* flag is cleared.

The 1588 logic includes multiple registers larger than 32 bits which are indicated as xxxL (Low portion - LS) and xxxH (High portion - MS). When software accesses these registers (either read or write) it should access first the xxxL register (LS) and only then the xxxH register (MS). Accessing the xxxH might impact the hardware functionality which should be triggered only after both portions of the register are valid.

7.8.3.1 Capture Timestamp Mechanism

The timestamp logic is located on transmit and receive paths as close as possible to the PHY interface. The timestamp is captured at the beginning of the packet as shown in the [Figure 7-21](#). These rules keep the latency between the captured timestamp and transmission time as deterministic as possible. The 1588 logic is functional at all link speeds; however, the latency parameters characterized at this time is only for 100 Mb/s. The measured latency parameters in a stand-alone setup are listed in [Table 7-62](#). When measured against a commercial link partner using an arithmetic mean and exponential smoothing, a shift of approximately 40 ns is used as listed in [Table 7-63](#).



Table 7-62. Packet Timestamp Sampling Latency at 100 Mb/s (Stand-alone Setup)

| Parameter | Min/Max Latency | Comment |
|-------------------------------------|-----------------|---|
| Tx timestamp to start of SFD on MDI | 984/1024 ns | Min/max values represent a possible variance over reset or link up/down events. The latency is measured with minimal PHY FIFO depth by setting bits 15:14 in the PHY TX FIFO register (MAC Specific Control Register 1 - Page 2, Register 16). Setting the PHY Tx FIFO to other values increase the delay by an 8-bit time for each increment of the FIFO size. |
| Start of SFD on MDI to Rx timestamp | 2148/2228 ns | The min/max numbers represent possible jitter due to synchronization between receive and transmit clock domains. |

Table 7-63. Packet Timestamp Sampling Latency at 100 Mb/s (Arithmetic Mean and Exponential Smoothing)

| Parameter | Average | Comment |
|-------------------------------------|---------|---|
| Tx timestamp to start of SFD on MDI | 1044 ns | The range (max minus min) values measured for the Tx and Rx latency parameters are similar to the measured parameters in a stand-alone setup. |
| Start of SFD on MDI to Rx timestamp | 2133 ns | |
| Tx + Rx latency | 3177 ns | |

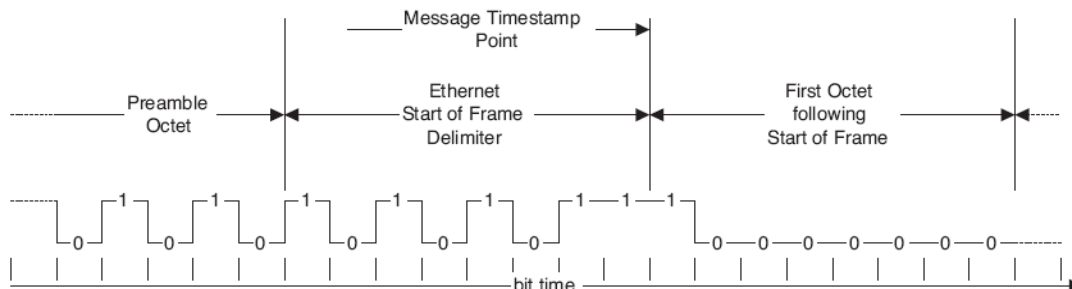


Figure 7-21. Timestamp Point

7.8.3.2 1588 Timer Registers: SYSTIM, TIMADJ and TIMINCA

The *SYSTIM* is a 96-bit register is composed of: *SYSTIMR*, *SYSTIML* and *SYSTIMH* registers: The *SYSTIMR* register holds the sub ns fraction, the *SYSTIML* register holds the ns fraction and the *SYSTIMH* register holds the second fraction of the time (note that the upper two bits of the *SYSTIML* register are always zero while the max value of this register is 999,999,999 dec). When synchronized, the *SYSTIM* registers defines the absolute time relative to PTP "epoch" which is January 1st 1970 00:00:00 International Atomic Time (TAI).

- Initial Setting - Setting the initial time is done by direct write access to the *SYSTIM* register. Software should first set the *SYSTIML* register and then set the *SYSTIMH* register. Setting the *SYSTIMR* register is meaningless while it represents sub ns units. It is recommended to disable the timer at programming time as follows:



- Run Time - During run time the *SYSTIM* timer value in the *SYSTIMH*, *SYSTIML* and *SYSTIMR* registers, is updated periodically each 8 nS clock cycle according to the following formula:
 - Define: $INC_TIME = 8 \text{ nsec} \pm TIMINCA.Incvalue * 2^{-32} \text{ nsec}$. Add or subtract the *TIMINCA.Incvalue* is defined by *TIMINCA.ISGN* (while 0b means Add and 1b means Subtract)
 - Then: $SYSTIM = SYSTIM + INC_TIME$
- Reading the *SYSTIM* register by software is done by the following sequence:
 - Read the *SYSTIMR* register
 - Read the *SYSTIML* register
 - Read the *SYSTIMH* register
- Dynamic update of *SYSTIM* registers can be done by using the *TIMADJ* registers by the following flow. It can also be done by adjusting the *INC_TIME* as described later in this section. Adjusting the time by *TIMADJ* are meant to be used only when the time difference between the master and the slave are small enough (at least smaller than one 8th of the time between consecutive SYNC cycles). If this assumption is incorrect, than this process might take longer time than the SYNC cycle to take effect. If this is an issue, software might need to set the *SYSTIM* by direct access as described in the “Initial Setting” phase:
 - Write the *Tadjust* value and its *Sign* to the *TIMADJ* register (the *Sign* bit indicates if the *Tadjust* value should be added or subtracted)
 - Following the write access to the *TIMADJ* register, the hardware repeats the following two steps at each 8 nsec clock as long as the *Tadjust* > zero.
 - $SYSTIM = SYSTIM + INC_TIME \pm 1 \text{ nsec}$. Add or subtract 1 nsec is defined by *TIMADJ.Sign* (while 0b means Add and 1b means Subtract)
 - $Tadjust = Tadjust - 1 \text{ nsec}$
 - Note that the *SYSTIM* timer is incremented monotonically at all times. When updating the *SYSTIM* by the *TIMADJ* and concurrent non-zero *TIMINCA*, the *SYSTIM* is incremented each clock by steps in the range of 6.5ns up to 9.5ns units.
 - As shown above, the time adjustment might take multiple clocks. Software might write a new value to the *TIMADJ* register before the hardware completed the previous adjustment. In such a case, the new value written by software, overrides the above equation. If such a race is not desired, the software could check that the previous adjustment is completed by one of the following methods:
 - Wait enough time before accessing the *TIMADJ* register which guarantees that the previous update procedure is completed.
 - Poll the matched *TSICR.TADJ* flag which is set by the hardware each time the update procedure is completed.
 - Enable the *TADJ* interrupt by setting the *TADJ* flag in the *TSIM* register and enable timesync interrupts by setting the *Time_Sync* flag in the *IMS* register. The *TADJ* interrupt indicates that the hardware completed the adjustment procedure. This method is unlikely to be used in nominal operation since the expected adjustments are in the sub μs range.
- Dynamic update of *SYSTIM* registers can also be done by updating the *INC_TIME*. Using *INC_TIME*, the time in the slave is updated in a more gradual manner and in most cases it results in a more accurate timer. *INC_TIME* should be updated as a function of the required *Tadjust* and the time gap between consecutive SYNC cycles that generated this *Tadjust* value. A possible equation for the *INC_TIME* for the next SYNC cycle can be as follows:

$$INC_TIME (n+1) = INC_TIME (n) * (T4-T1)/(T3-T2) + Factor * (T4 - (T3 + Tdelay)) / Tcycle$$

while

- All time parameters are expressed in ns units
- $INC_TIME = 8 \pm TIMINCA.Incvalue * 2^{-32} \text{ [ns]}$
- $INC_TIME (n)$ and $INC_TIME (n+1)$ are the *INC_TIME* used for the current *Tcycle* and the calculated *INC_TIME* that should be used in the next *Tcycle* respectively
- *Tcycle* is the time between consecutive (Sync request + Delay request) cycles



- Tdelay is the transmission delay from the slave to the master. It can be calculated using T1...T4 as follow: $T_{delay} = [(T2-T1) + (T4-T3)] / 2$
- The factor is a parameter that affects the speed of convergence. For a clock frequency of 125 MHz, an optimized factor equals 8. Table 7-65 lists the expected convergence time for some cases while Tcycle equals 1 second and the slave-to-master clock frequency difference equals 100 ppm.

7.8.3.3 Target Time

The two target time registers *TRGTTIML/H0* and *TRGTTIML/H1* enable generating a time triggered event to external hardware using one of the SDP pins according to the setup defined in the *TSSDP* and *TSAUXC* registers (See Section 8.15.13 and Section 8.15.25). Each target time register is structured the same as the *SYSTIML/H* registers. If the value of *SYSTIML/H* is equal or larger than the value of the *TRGTTIML/H* registers, a change in level or a pulse is generated on the matched SDP outputs.

7.8.3.3.1 SYSTIM Synchronized Level Change Generation on SDP Pins

To generate a level change on one of the SDP pins when System Time (*SYSTIM*) reaches a pre-defined value, the driver should do the following:

1. Select a specific SDP pin by setting the *TSSDP.TS_SDPx_EN* flag to 1b (while 'x' is 0, 1, 2 or 3).
2. Assign a target time register to the selected SDP by setting the *TSSDP.TS_SDPx_SEL* field to 00b or 01b if level change should occur based on *TRGTTIML/H0* or *TRGTTIML/H1*, respectively.
3. Define the selected SDPx pin as output, by setting the appropriate *SDPx_IODIR* bit (while 'x' is 0, 1, 2, or 3) in the *CTRL* or *CTRL_EXT* registers.
4. Program the target time *TRGTTIML/Hx* (while 'x' is 0b or 1b) to the required event time.
5. Program the *TRGTTIML/Hx* to "Level Change" mode by setting the *TSAUXC.PLSG* bit to 0b and *TSAUXC.EN_TTx* bit to 1b (while 'x' is 0b or 1b).
6. When the *SYSTIML/H* registers becomes equal or larger than the selected *TRGTTIML/H* registers, the selected SDP changes its output level.

7.8.3.3.2 SYSTIM Synchronized Pulse Generation on SDP Pins

An output pulse can be generated by using one of the target time registers to define the beginning of the pulse and the other target time registers to define the pulse completion time. To generate a pulse on one of the SDP pins when System Time (*SYSTIM*) reaches a pre-defined value, the driver should do the following:

1. Select a specific SDP pin by setting the *TSSDP.TS_SDPx_EN* flag to 1b (while 'x' is 0, 1, 2 or 3).
2. Select the target time register for the selected SDP that defines the beginning of the output pulse. It is done by setting the *TSSDP.TS_SDPx_SEL* field to 00b or 01b if level change should occur when *SYSTIML/H* equals *TRGTTIML/H0* or *TRGTTIML/H1*, respectively.
3. Define the selected SDPx pin as output, by setting the appropriate *SDPx_IODIR* bit (while 'x' is 0, 1, 2, or 3) in the *CTRL* or *CTRL_EXT* registers.
4. Program the target time *TRGTTIML/Hx* (while 'x' is 0b or 1b) to the required event time. The registers indicated by the *TSSDP.TS_SDPx_SEL* define the leading edge of the pulse and the other ones define the trailing edge of the pulse.
5. Program the *TRGTTIML/Hx* defined by the *TSSDP.TS_SDPx_SEL* to "Start of Pulse" mode by setting the *TSAUXC.PLSG* bit to 1b and *TSAUXC.EN_TTx* bit to 1b (while 'x' is 0b or 1b). The other *TRGTTIML/Hx* register should be set to Level Change mode by setting the *TSAUXC.PLSG* bit to 0b and *TSAUXC.EN_TTx* bit to 1b (while 'x' is 0b or 1b).



- When the *SYSTIML/H* registers becomes equal or larger than the *TRGTTIML/H* registers that define the beginning of the pulse, the selected SDP changes its level. Then, when the *SYSTIML/H* registers becomes equal or larger than the other *TRGTTIML/H* registers (that define the trailing edge of the pulse), the selected SDP changes its level back.

7.8.3.3.3 Synchronized Output Clock on SDP Pins

The I210 supports driving a programmable Clock on the SDP pins (up to two output clocks). The output clocks generated are synchronized to the global System time registers (*SYSTIM*). The Target Time registers (*TRGTTIML/H0* or *TRGTTIML/H1*) can be used for the clock output generation. To start an clock output on one of the SDP pins when System Time (*SYSTIM*) reaches a pre-defined value, the driver should do the following:

- Select a specific SDP pin by setting the *TSSDP.TS_SDPx_EN* flag to 1b (while 'x' is 0, 1, 2 or 3).
- Select the target time register for a selected SDP, by setting the *TSSDP.TS_SDPx_SEL* field to 10b or 11b if output clock should occur based on *TRGTTIML/H0* or *TRGTTIML/H1* respectively.
- Program the matched *FREQOUT0/1* register to define clock half cycle time. Note that in the general case the maximum supported half cycle time of the synchronized output clock is 70 ms. A slower output clock can be generated by the Synchronized Level Change scheme described in [Section 7.8.3.3.1](#). In this option, software should trigger the output level change time periodically for each clock transition. Slower half cycle time than 70msec can be programmed also as long as the output clock is synchronized to whole seconds as follow (useful specifically for generating a 1Hz clock):
 - The clock should start at a programmable time (as described in bullet 5 below)
 - The starting time plus 'n' times the value of the programmed *FREQOUT0/1* must be whole number of seconds (for 'specific' values of 'n')
 - Permitted values for the *FREQOUT0/1* register that can meet the above conditions are: 125,000,000 decimal, 250,000,000 decimal and 500,000,000 decimal (equals to 125msec, 250msec and 500msec respectively)
- Define the selected SDPx pin as output, by setting the appropriate *SDPx_IODIR* bit (while 'x' is 0, 1, 2, or 3) in the *CTRL* or *CTRL_EXT* registers.
- If the output clock should start at a specific time, the *TSAUXC.STO/1* flag should be set to 1b and the matched *TRGTTIML/Hx* should be set to the required start time.
- Enabled the clock operation by setting the relevant *TSAUXC.EN_CLK0/1* bit to 1b.

The clock out drives initially a logical '0' level on the selected SDP. If the *TSAUXC.STO/1* flag is cleared, it happens instantly when setting the *TSAUXC.EN_CLK0/1* bit. Otherwise it happens when *SYSTIM* is equal or larger than the *TRGTTIM*. Since then, the hardware repeats endless the following two steps:

- Increment the used *TRGTTIML/Hx* by *FREQOUT*.
- When *SYSTIM* is equal or larger than the *TRGTTIM*, the SDP reverts its output level.

7.8.3.4 Time Stamp Events

Upon a change in the input level of one of the SDP pins that was configured to detect Time stamp events using the TSSDP register, a time stamp of the system time is captured into one of the two auxiliary time stamp registers (*AUXSTMPL/H0* or *AUXSTMPL/H1*). Software enables the timestamp of input event as follow:

- Define the sampled SDP on AUX time 'x' ('x' = 0b or 1b) by setting the *TSSDP.AUXx_SDP_SEL* field while setting the matched *TSSDP.AUXx_TS_SDP_EN* bit to 1b.
- Set also the *TSAUXC.EN_TSx* bit ('x' = 0b or 1b) to 1b to enable "timestamping".

Following a transition on the selected SDP, the hardware does the following:



1. The SYSTIM registers (low and high) are latched to the selected AUXSTMP registers (low and high)
2. The selected AUTC0 or AUTC1 flags are set in the TSICR register. If the AUTT interrupt is enabled by the TSIM register and the 1588 interrupts are enabled by the Time_Sync flag in the ICR register then an interrupt is asserted as well.

After the hardware reports that an event time was latched, the software should read the latched time in the selected AUXSTMP registers. Software should read first the Low register and only then the High register. Reading the high register releases the registers to sample a new event.

7.8.4 Time SYNC Interrupts

Time Sync related interrupts can be generated by programming the *TSICR* and *TSIM* registers. The *TSICR* register logs the interrupt cause and the *TSIM* register enables masking specific *TSICR* bits. Detailed description of the Time Sync interrupt registers can be found in [Section 8.16](#). Occurrence of a Time Sync interrupt sets the *ICR.Time_Sync* interrupt bit.

7.8.5 PTP Packet Structure

The time sync implementation supports both the 1588 V1 and V2 PTP frame formats. The V1 structure can come only as UDP payload over IPv4 while the V2 can come over L2 with its Ethertype or as a UDP payload over IPv4 or IPv6. The 802.1AS uses only the layer 2 V2 format. The PTP frame formats over L2 and over UDP are listed in the [Table 7-64](#) and [Table 7-65](#). The PTP V1 and V2 message formats are listed in the [Table 7-66](#) followed by SYNC packet format in [Table 7-67](#). [Table 7-68](#) and [Table 7-69](#) list the relevant fields that identify the PTP message that are the *Control* field for V1 message and the *MessageType* field for V2 message. Then, [Table 7-70](#) lists the device settings required to identify the PTP packets.

Table 7-64. PTP Message Over Layer 2

| | | | |
|---------------|-----------------|---------------|-------------|
| Ethernet (L2) | VLAN (Optional) | PTP Ethertype | PTP message |
|---------------|-----------------|---------------|-------------|

Table 7-65. PTP Message Over Layer 4

| | | | |
|---------------|---------|-----|-------------|
| Ethernet (L2) | IP (L3) | UDP | PTP message |
|---------------|---------|-----|-------------|

Table 7-66. V1 and V2 PTP Message Header

| Offset in Bytes | V1 Fields | V2 Fields | |
|-----------------|-------------------|---------------------------------|--------------------|
| Bits | 7 6 5 4 3 2 1 0 | 7 6 5 4 3 2 1 0 | |
| 0 | <i>versionPTP</i> | transport Specific ¹ | <i>messageType</i> |
| 1 | | Reserved | <i>versionPTP</i> |
| 2 | version Network | message Length | |
| 3 | | | |



Table 7-66. V1 and V2 PTP Message Header (Continued)

| Offset in Bytes | V1 Fields | V2 Fields | |
|-----------------|--------------------------|---|---------------------------------|
| Bits | 7 6 5 4 3 2 1 0 | 7 6 5 4 3 2 1 0 | |
| 4 | Subdomain | domain Number | |
| 5 | | Reserved | |
| 6 | | flags | |
| 7 | | | |
| 8 | | correctionField | |
| 9 | | | |
| 10 | | | |
| 11 | | | |
| 12 | | | |
| 13 | | | |
| 14 | reserved | | |
| 15 | | | |
| 16 | | | |
| 17 | | | |
| 18 | | | |
| 19 | message Type | Source Port Identity | |
| 20 | | | Source communication technology |
| 21 | | | Sourceuuid |
| 22 | | | |
| 23 | | | |
| 24 | | | |
| 25 | | | |
| 26 | | | |
| 27 | source port id | | |
| 28 | <i>sequenceId</i> | <i>sequenceId</i> | |
| 29 | | | |
| 30 | <i>control</i> | control | |
| 31 | reserved | Log Message Interval | |
| 32 | flags | PTP message body. The PTP header plus its message body must be at least 36 bytes long to be recognized as a PTP message. | |
| 33 | | | |
| 34 | | | |
| 35 | | | |

1. Should be all zero.

Note: Only the fields with the bold italic format colored red are of interest to the hardware.

Table 7-67. SYNC Message Structure

| Offset in Bytes | Length in Bytes | Fields |
|-----------------|-----------------|--|
| 0 | 34 | Message Header (as listed in Table 7-66). |
| 34 | 10 | SYNC Timestamp. On 1-step transmission the timestamp is inserted by the hardware: The first 2 bytes equals to <i>SYSTIMTM.STM</i> while its MS byte is first and its LS byte is last The next 4 bytes equals to <i>SYSTIMH</i> while its MS byte is first and its LS byte is last The next 4 bytes equals to <i>SYSTIML</i> while its MS byte is first and its LS byte is last |



Table 7-68. Message Decoding for V1 (Control Field at Offset 32)

| Enumeration | Value |
|------------------------|-------|
| PTP_SYNC_MESSAGE | 0 |
| PTP_DELAY_REQ_MESSAGE | 1 |
| PTP_FOLLOWUP_MESSAGE | 2 |
| PTP_DELAY_RESP_MESSAGE | 3 |
| PTP_MANAGEMENT_MESSAGE | 4 |
| reserved | 5-255 |

Table 7-69. Message Decoding for V2 (MessageType Field at Offset 0)

| MessageType | Message Type | Value (hex) |
|---------------------------------|--------------|-------------|
| PTP_SYNC_MESSAGE | Event | 0 |
| PTP_DELAY_REQ_MESSAGE | Event | 1 |
| PTP_PATH_DELAY_REQ_MESSAGE | Event | 2 |
| PTP_PATH_DELAY_RESP_MESSAGE | Event | 3 |
| Unused | Event | 4-7 |
| PTP_FOLLOWUP_MESSAGE | General | 8 |
| PTP_DELAY_RESP_MESSAGE | General | 9 |
| PTP_PATH_DELAY_FOLLOWUP_MESSAGE | General | A |
| PTP_ANNOUNCE_MESSAGE | General | B |
| PTP_SIGNALLING_MESSAGE | General | C |
| PTP_MANAGEMENT_MESSAGE | General | D |
| Unused | General | E-F |

The I210 identifies both L2 and L4 PTP packets for timestamp sampling and defining a specific receive queue as listed in the [Table 7-70](#).

Table 7-70. Enabling Receive Timestamp

| Functionality | Register | Field | Setting Options |
|---|------------|---------------------|--|
| Enable receive timestamp | TSYNCRXCTL | En | En = 1b (must be set in all the following options). |
| Sampled V1 Control value | TSYNCRXCFG | CTRLT | The CTRLT defined the recognized V1 Control field. This field must be defined if V1 packets recognition is required. |
| Sampled V2 MessageType value | TSYNCRXCFG | MSGT | The MSGT defined the recognized V2 MessageType field. This field must be defined if V2 packets recognition is required. |
| | | | |
| Enable all packets for timestamp | TSYNCRXCTL | Type | Type equals to 100b enables sampling all packets. Useful only when posting the timestamp to the packet buffer in host memory, enabled per queue by the SRRCTL[n].Timestamp. |
| Enable L2 1588 packets for timestamp sampling | TSYNCRXCTL | Type | Type equals to 000b or 010b enable V2 packets with MessageType equals to MSGT as well as DELAY_REQ and DELAY_RESP packets. Type equals to 101b enable all V2 packets with Message Type bit 3 zero (means any event packets) |
| | ETQF[n] | EType Filter enable | The EType on one of the enabled ETQF registers (Filter enable is '1') should be set to the 1588 EtherType (equals to 0x88F7) |



Table 7-70. Enabling Receive Timestamp

| Functionality | Register | Field | Setting Options |
|---|------------|-----------------------------|--|
| Enable 1588 packets over UDP for timestamp sampling | TSYNCRXCTL | Type | Type equals to 001b enables V1 packets with Control field equals to CTRLT parameter Type equals to 010b enables V2 packets with MessageType fields equals to MSGT parameter as well as DELAY_REQ and DELAY_RESP packets. Type equals to 101b enables all V2 packets with Message Type bit 3 zero (which means any event packets) |
| | TTQF[n] | Protocol 1588 time stamp | Defines a UDP protocol (Protocol field = 17 dec). The "1588 time stamp" flag is active |
| | IMIR[n] | Destination Port PORT_BP | Define PTP event messages (Destination Port = 319 dec) and the PORT_BP is cleared |
| Define specific receive queue for the L2 1588 packets | ETQF[n] | Rx Queue Queue Enable | Setting the "Queue Enable" on the same ETQF register as above, the receive queue is defined by the "Rx Queue" field. |
| Define specific receive queue for 1588 packets over UDP | TTQF[n] | Rx Queue Queue Enable | Setting the "Queue Enable" on the same TTQF register as above, the receive queue is defined by the "Rx Queue" field. |

7.9 Statistic Counters

The I210 supports different statistic counters as described in [Section 8.18](#). The statistic counters can be used to create statistic reports as required by different standards. The I210 statistic counters allow support for the following standards:

- IEEE 802.3 clause 30 management – DTE section.
- NDIS 6.0 OID_GEN_STATISTICS.
- RFC 2819 – RMON Ethernet statistics group.
- Linux Kernel (version 2.6) net_device_stats

The following section describes the match between the internal the I210 statistic counters and the counters requested by the different standards.

7.9.1 IEEE 802.3 Clause 30 Management

The I210 supports the Basic and Mandatory Packages defined in clause 30 of the IEEE 802.3 specification. [Table 7-71](#) lists the matching between the internal statistics and the counters requested by these packages.

Table 7-71. IEEE 802.3 Mandatory Package Statistics

| Mandatory Package Capability | I210 Counter | Notes and Limitations |
|------------------------------|--------------|--|
| FramesTransmittedOK | GPTC | The I210 doesn't include flow control packets. |
| SingleCollisionFrames | SCC | |
| MultipleCollisionFrames | MCC | |
| FramesReceivedOK | GPRC | The I210 doesn't include flow control packets. |
| FrameCheckSequenceErrors | CRCERRS | |
| AlignmentErrors | ALGNERRC | |

In addition, part of the recommended package is also implemented as listed in [Table 7-72](#).



Table 7-72. IEEE 802.3 Recommended Package Statistics

| Recommended package capability | I210 Counter | Notes and Limitations |
|--------------------------------|-----------------|--|
| OctetsTransmittedOK | GOTCH/GOTCL | The I210 counts also the DA/SA/LT/CRC as part of the octets. The I210 doesn't count Flow control packets. |
| FramesWithDeferredXmissions | DC | |
| LateCollisions | LATECOL | |
| FramesAbortedDueToXSColls | ECOL | |
| FramesLostDueToIntMACXmitError | HTDMPC | The I210 counts the excessive collisions in this counter, while 802.3 increments no other counters, while this counter is incremented |
| CarrierSenseErrors | TNCRS | The I210 doesn't count cases of CRS de-assertion in the middle of the packet. However, such cases are not expected when the internal PHY is used. In The I210 this counter is not operational in 100 Mbps half duplex mode. |
| OctetsReceivedOK | TORL+TORH | The I210 counts also the DA/SA/LT/CRC as part of the octets. Doesn't count Flow control packets. |
| FramesLostDueToIntMACRcvError | RNBC | |
| SQETestErrors | N/A | |
| MACControlFramesTransmitted | N/A | |
| MACControlFramesReceived | N/A | |
| UnsupportedOpcodesReceived | FCURC | |
| PAUSEMACCtrlFramesTransmitted | XONTXC + XOFTXC | |
| PAUSEMACCtrlFramesReceived | XONRXC + XOFRXC | |

Part of the optional package is also implemented as described in [Table 7-76](#).

Table 7-73. IEEE 802.3 Optional Package Statistics

| Optional package capability | I210 Counter | Notes |
|-----------------------------|--------------|---------------------------------------|
| MulticastFramesXmittedOK | MPTC | The I210 doesn't count FC packets |
| BroadcastFramesXmittedOK | BPTC | |
| MulticastFramesReceivedOK | MPRC | The I210 doesn't count FC packets |
| BroadcastFramesReceivedOK | BPRC | |
| InRangeLengthErrors | LENERRS | |
| OutOfRangeLengthField | N/A | Packets parsed as Ethernet II packets |
| FrameTooLongErrors | ROC + RJC | |

7.9.2 OID_GEN_STATISTICS

The I210 supports the part of the `OID_GEN_STATISTICS` as defined by Microsoft* NDIS 6.0 specification. [Table 7-74](#) lists the matching between the internal statistics and the counters requested by this structure.



Table 7-74. Microsoft* OID_GEN_STATISTICS

| OID entry | I210 Counters | Notes |
|------------------------|---|-------|
| ifInDiscards; | CRCERRS + RLEC + RXERRC + MPC + RNBC + ALGNERRC | |
| ifInErrors; | CRCERRS + RLEC + RXERRC + ALGNERRC | |
| ifHCInOctets; | GORCL/GOTCL | |
| ifHCInUcastPkts; | GPRC - MPRC - BPRC | |
| ifHCInMulticastPkts; | MPRC | |
| ifHCInBroadcastPkts; | BPRC | |
| ifHCOctets; | GOTCL/GOTCH | |
| ifHCOUcastPkts; | GPTC - MPTC - BPTC | |
| ifHCOmulticastPkts; | MPTC | |
| ifHCObroadcastPkts; | BPTC | |
| ifOutErrors; | ECOL + LATECOL | |
| ifOutDiscards; | ECOL | |
| ifHCInUcastOctets; | N/A | |
| ifHCInMulticastOctets; | N/A | |
| ifHCInBroadcastOctets; | N/A | |
| ifHCOUcastOctets; | N/A | |
| ifHCOmulticastOctets; | N/A | |
| ifHCObroadcastOctets; | N/A | |

7.9.3 RMON

The I210 supports the part of the RMON Ethernet statistics group as defined by IETF RFC 2819. Table 7-75 lists the matching between the internal statistics and the counters requested by this group.

Table 7-75. RMON Statistics

| RMON statistic | I210 Counters | Notes |
|------------------------------|--------------------|--|
| etherStatsDropEvents | MPC + RNBC | |
| etherStatsOctets | TOTL + TOTH | |
| etherStatsPkts | TPR | |
| etherStatsBroadcastPkts | BPRC | |
| etherStatsMulticastPkts | MPRC | The I210 doesn't count FC packets |
| etherStatsCRCAlignErrors | CRCERRS + ALGNERRC | |
| etherStatsUndersizePkts | RUC | |
| etherStatsOversizePkts | ROC | |
| etherStatsFragments | RFC | Should count bad aligned fragments as well |
| etherStatsJabbers | RJC | Should count bad aligned jabbers as well |
| etherStatsCollisions | COLC | |
| etherStatsPkts64Octets | PRC64 | RMON counts bad packets as well |
| etherStatsPkts65to127Octets | PRC127 | RMON counts bad packets as well |
| etherStatsPkts128to255Octets | PRC255 | RMON counts bad packets as well |



Table 7-75. RMON Statistics (Continued)

| RMON statistic | I210 Counters | Notes |
|--------------------------------|---------------|---------------------------------|
| etherStatsPkts256to511Octets | PRC511 | RMON counts bad packets as well |
| etherStatsPkts512to1023Octets | PRC1023 | RMON counts bad packets as well |
| etherStatsPkts1024to1518Octets | PRC1522 | RMON counts bad packets as well |

7.9.4 Linux net_device_stats

The I210 supports part of the net_device_stats as defined by Linux Kernel version 2.6 (defined in <linux/netdevice.h>). Table 7-76 lists the matching between the internal statistics and the counters requested by this structure.

Table 7-76. Linux net_device_stats

| net_device_stats field | I210 Counters | Notes |
|------------------------|---|--|
| rx_packets | GPRC | The I210 doesn't count flow controls - can be accounted for by using the XONRXC and XOFFRXC counters |
| tx_packets | GPTC | The I210 doesn't count flow controls - can be accounted for by using the XONTXC and XOFFTXC counters |
| rx_bytes | <i>GORCL + GORCH</i> | |
| tx_bytes | <i>GOTCL + GOTCH</i> | |
| rx_errors | <i>CRCERRS + RLEC + RXERRC + ALGNERRC</i> | |
| tx_errors | <i>ECOL + LATECOL</i> | |
| rx_dropped | N/A | |
| tx_dropped | N/A | |
| multicast | MPTC | |
| collisions | COLC | |
| rx_length_errors | RLEC | |
| rx_over_errors | N/A | |
| rx_crc_errors | CRCERRS | |
| rx_frame_errors | ALGNERRC | |
| rx_fifo_errors | <i>HRMPC + Sum (RQDPC)</i> | |
| rx_missed_errors | MPC | |
| tx_aborted_errors | ECOL | |
| tx_carrier_errors | N/A | |
| tx_fifo_errors | N/A | |
| tx_heartbeat_errors | N/A | |
| tx_window_errors | LATECOL | |
| rx_compressed | N/A | |
| tx_compressed | N/A | |

7.9.5 Statistics Hierarchy

The following diagram shows the relations between the packet flow and the different statistic counters.

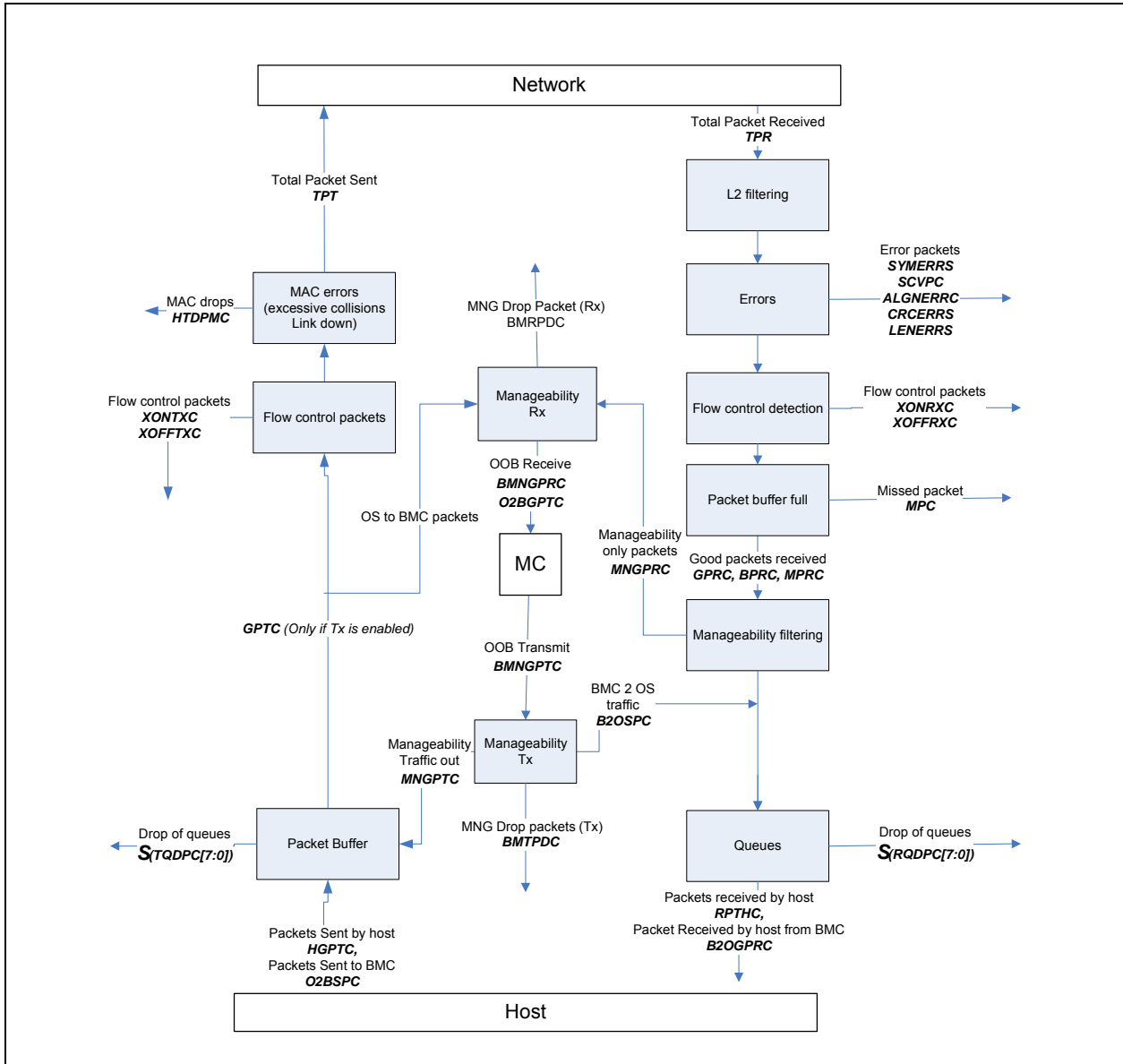


Figure 7-24. Flow Statistics Flow Statistics



8.0 Programming Interface

8.1 Introduction

This section details the programmer visible state inside the I210. In some cases, it describes hardware structures invisible to software in order to clarify a concept. The I210's address space is mapped into four regions with PCI Base Address registers described in [Section 9.3.11](#). These regions are listed in [Table 8-1](#).

Table 8-1. Address Space Regions

| Addressable Content | How Mapped | Size of Region |
|---|----------------------|----------------------------------|
| Internal registers, memories and Flash (Memory BAR) | Direct memory-mapped | 128 KB + Flash Size ¹ |
| Flash (optional) | Direct memory-mapped | 64 KB to 8 MB |
| Expansion ROM (optional) | Direct memory-mapped | 512 KB ² |
| Internal registers and memories, Flash (optional) | I/O window mapped | 32 bytes ² |
| MSI-X (optional) | Direct memory-mapped | 16 KB |

1. The Flash space in the Memory CSR and Expansion ROM Base Address are mapped to different Flash memory regions. Accesses to the Memory BAR at offset 128 KB are mapped to the Flash device at offset 0x0, while accesses to the Expansion ROM at offset 0x0 are mapped to the fixed Flash region that starts at NVM word address 0x001000. See [Section 3.3.3.1](#). The Expansion ROM region has a fixed provisioned size of 512 KB.
2. The internal registers and memories can be accessed though I/O space indirectly as explained in the sections that follow.

The internal register/memory space is described in the following sections. The PHY registers are accessed through the MDIO interface.

8.1.1 Memory, I/O Address and Configuration Decoding

8.1.1.1 Memory-Mapped Access to Internal Registers and Memories

The internal registers and memories might be accessed as direct memory-mapped offsets from the base address register (BAR0 or BAR 0/1; refer to [Section 9.3.11](#)). Refer to [Section 8.1.3](#) for the appropriate offset for each specific internal register.

8.1.1.2 Memory-Mapped Access to Flash

The external Flash can be accessed using direct memory-mapped offsets from the Memory Base Address register (BAR0 in 32-bit addressing or BAR0/BAR1 in 64-bit addressing; refer to [Section 9.3.11](#)). For accesses, the offset from the Memory BAR minus 128 KB corresponds to the physical address within the external Flash device. Memory mapped accesses to the external Flash device are enabled when the value of the *FLBAR_Size* field in the Flash (refer to [Section 6.2.25](#)) is not 000b.



8.1.1.3 Memory-Mapped Access to MSI-X Tables

The MSI-X tables can be accessed as direct memory-mapped offsets from the base address register (BAR3; refer to Section 9.3.11). Refer to Section 8.1.3 for the appropriate offset for each specific internal MSI-X register.

8.1.1.4 Memory-Mapped Access to Expansion ROM

The Expansion/Option ROM module located in the external Flash (refer to Section 3.3.9.1) can be accessed as a memory-mapped Expansion ROM. Accesses to offsets starting from the Expansion ROM Base address reference the Flash, provided that access is enabled through the LAN Boot Disable bit in NVM Initialization Control 3 word, and if the Expansion ROM Base Address register contains a valid (non-zero) base memory address.

8.1.1.5 I/O-Mapped Access to Internal Registers and Memories

To support pre-boot operation (prior to the allocation of physical memory base addresses), all internal registers and memories can be accessed using I/O operations. I/O accesses are supported only if an I/O Base Address is allocated and mapped (BAR2; refer to Section 9.3.11), the BAR contains a valid (non-zero value), and I/O address decoding is enabled in the PCIe configuration.

When an I/O BAR is mapped, the I/O address range allocated opens a 32-byte window in the system I/O address map. Within this window, two I/O addressable registers are implemented: IOADDR and IODATA. The IOADDR register is used to specify a reference to an internal register or memory, and then the IODATA register is used as a window to the register or memory address specified by IOADDR:

Table 8-2. IOADDR and IODATA in I/O Address Space

| Offset | Abbreviation | Name | RW | Size |
|-------------|--------------|---|----|---------|
| 0x00 | IOADDR | Internal register, internal memory, or Flash location address. 0x00000-0x1FFFF – Internal registers and memories. 0x20000-0xFFFFFFFF – Undefined. | RW | 4 bytes |
| 0x04 | IODATA | Data field for reads or writes to the internal register, internal memory, or Flash location as identified by the current value in IOADDR. All 32 bits of this register can be read or written to. | RW | 4 bytes |
| 0x08 – 0x1F | Reserved | Reserved. | RO | 4 bytes |

8.1.1.5.1 IOADDR (I/O Offset 0x00)

The IOADDR register must always be written as a Dword access. Writes that are less than 32 bits are ignored. Reads of any size return a Dword of data; however, the chipset or CPU might only return a subset of that Dword.

For software programmers, the IN and OUT instructions must be used to cause I/O cycles to be used on the PCIe bus. Because writes must be to a 32-bit quantity, the source register of the OUT instruction must be EAX (the only 32-bit register supported by the OUT command). For reads, the IN instruction can have any size target register, but it is recommended that the 32-bit EAX register be used.

Because only a particular range is addressable, the upper bits of this register are hard coded to zero. Bits 31 through 20 cannot be written to and are always read back as 0b.

At hardware reset (LAN_PWR_GOOD) or PCI reset, this register value resets to 0x00000000. Once written, the value is retained until the next write or reset.



8.1.1.5.2 IODATA (I/O Offset 0x04)

The IODATA register must always be written as a Dword access when the IOADDR register contains a value for the internal register and memories (for example, 0x00000-0x1FFFC). In this case, writes that are less than 32 bits are ignored.

Reads to IODATA of any size returns a Dword of data. However, the chipset or CPU might only return a subset of that Dword.

For software programmers, the IN and OUT instructions must be used to cause I/O cycles to be used on the PCIe bus. Where 32-bit quantities are required on writes, the source register of the OUT instruction must be EAX (the only 32-bit register supported by the OUT command).

Writes and reads to IODATA when the IOADDR register value is in an undefined range (0x20000-0xFFFFF) should not be performed. Results cannot be determined.

Notes: There are no special software timing requirements on accesses to IOADDR or IODATA. All accesses are immediate, except when data is not readily available or acceptable. In this case, the I210 delays the results through normal bus methods (for example, split transaction or transaction retry).

Because a register/memory read or write takes two I/O cycles to complete, software must provide a guarantee that the two I/O cycles occur as an atomic operation. Otherwise, results can be non-deterministic from the software viewpoint.

Software should access CSRs via I/O address space or configuration address space but should not use both mechanisms at the same time.

8.1.1.5.3 Undefined I/O Offsets

I/O offsets 0x08 through 0x1F are considered to be reserved offsets with the I/O window. Dword reads from these addresses returns 0xFFFF; writes to these addresses are discarded.

8.1.1.6 Configuration Access to Internal Registers and Memories

To support legacy pre-boot 16-bit operating environments without requiring I/O address space, the I210 enables accessing CSRs via configuration address space by mapping the *IOADDR* and *IODATA* registers into configuration address space. The registers mapping in this case is listed in [Table 8-3](#).

Note: To enable CSR access via configuration address space the *CSR_conf_en* Flash bit should be set (see [Section 6.2.15](#)).

Table 8-3. IOADDR and IODATA in Configuration Address Space

| Configuration Address | Abbreviation | Name | RW | Size |
|-----------------------|--------------|---|----|---------|
| 0x98 | IOADDR | Internal register or internal memory location address. 0x00000-0x1FFFF- Internal registers and memories. 0x20000-0x7FFFF - Undefined. | RW | 4 bytes |
| 0x9C | IODATA | Data field for reads or writes to the internal register or internal memory location as identified by the current value in IOADDR. All 32 bits of this register can be read or written to. | RW | 4 bytes |

Software writes data to an internal CSR via configuration space in the following manner:

1. CSR address is written to the IOADDR register where:
 - a. Bit 31 (*IOADDR.Configuration IO Access Enable*) of the IOADDR register should be set to 1b.



- b. Bits 30:0 of IOADDR should hold the actual address of the internal register or memory being written to.
2. Data to be written is written into the IODATA register.
 - The IODATA register is used as a window to the register or memory address specified by IOADDR register. As a result, the data written to the IODATA register is written into the CSR pointed to by bits 30:0 of the IOADDR register.
3. *IOADDR.Configuration IO Access Enable* is cleared, to avoid un-intentional CSR read operations (that might cause a clear by read) by other applications scanning the configuration space.

Software reads data from an internal CSR via configuration space in the following manner:

1. CSR address is written to the IOADDR register where:
 - a. Bit 31 (*IOADDR.Configuration IO Access Enable*) of the IOADDR register should be set to 1b.
 - b. Bits 30:0 of IOADDR should hold the actual address of the internal register or memory being read.
2. CSR value is read from the IODATA register.
 - a. The IODATA register is used as a window to the register or memory address specified by IOADDR register. As a result the data read from the IODATA register is the data of the CSR pointed to by bits 30:0 of the IOADDR register
3. *IOADDR.Configuration IO Access Enable* is cleared, to avoid un-intentional CSR read operations (that might cause a clear by read) by other applications scanning the configuration space.

Notes:

- In the event that the *CSR_conf_en* bit in the PCIe Init Configuration 2 Flash word is cleared, accesses to the IOADDR and IODATA registers via the configuration address space are ignored and have no effect on the register and the CSRs referenced by the *IOADDR* register. In this case, any read access to these registers returns a value of 0b.
- When Function is in D3 state Software should not attempt to access CSRs via the IOADDR and IODATA configuration registers.
- To enable CSR access via configuration space, Software should set bit 31 to 1b (*IOADDR.Configuration IO Access Enable*) of the IOADDR register. Software should clear bit 31 of the IOADDR register after completing CSR access to avoid an unintentional clear-by-read operation or by another application scanning the configuration address space.
- Bit 31 of the IOADDR register (*IOADDR.Configuration IO Access Enable*) has no effect when initiating access via I/O address space.
- Software should access CSRs via I/O address space or configuration address space but should not use both mechanisms at the same time.

8.1.2 Register Conventions

All registers in the I210 are defined to be 32 bits and should be accessed as 32-bit double-words; however, there are some exceptions to this rule:

- Register pairs where two 32-bit registers make up a larger logical size.
- Accesses to Flash memory (via Expansion ROM space, secondary BAR space, or the I/O space) might be byte, word or double word accesses.

Reserved bit positions: Some registers contain certain bits that are marked as reserved. These bits should never be set to a value of 1b by software. Reads from registers containing reserved bits might return indeterminate values in the reserved bit-positions unless read values are explicitly stated. When read, these reserved bits should be ignored by software.



Reserved and/or undefined addresses: any register address not explicitly declared in this specification should be considered to be reserved, and should not be written to. Writing to reserved or undefined register addresses might cause indeterminate behavior. Reads from reserved or undefined configuration register addresses might return indeterminate values unless read values are explicitly stated for specific addresses.

Initial values: most registers define the initial hardware values prior to being programmed. In some cases, hardware initial values are undefined and is listed as such via the text undefined, unknown, or X. Such configuration values might need to be set via Flash configuration or via software in order for proper operation to occur; this need is dependent on the function of the bit. Other registers might cite a hardware default, which is overridden by a higher-precedence operation. Operations that might supersede hardware defaults might include a valid Flash load, completion of a hardware operation (such as hardware auto-negotiation), or writing of a different register whose value is then reflected in another bit.

For registers that should be accessed as 32-bit double words, partial writes (less than a 32-bit double word) do not take effect (the write is ignored). Partial reads returns all 32 bits of data regardless of the byte enables.

Note: Partial reads to Read-on-Clear (ICR) registers can have unexpected results since all 32 bits are actually read regardless of the byte enables. Partial reads should not be done.

All statistics registers are implemented as 32-bit registers. Though some logical statistics registers represent counters in excess of 32 bits in width, registers must be accessed using 32-bit operations (for example, independent access to each 32-bit field). When reading 64 bits statistics registers, the least significant 32-bit register should be read first.

Refer to the special notes for VLAN Filter Table, Multicast Table Arrays and Packet Buffer Memory, which appear in the specific register definitions.

The I210 register fields are assigned one of the attributes listed in [Table 8-4](#).

Table 8-4. I210 Register Field Attributes

| Attribute | Description |
|-----------|---|
| RW | Read-Write field: Register bits are read-write and can be either set or cleared by software to the desired state. |
| RWM | Read-Write Modified field: Register bits are read-write and can be either set or cleared by software to the desired state. However, the value of this field might be modified by the hardware to reflect a status change. |
| RO | Read-only register: Register bits are read-only and should not be altered by software. Register bits might be initialized by hardware mechanisms such as pin strapping, serial Flash or reflect a status of the hardware state. |
| ROM | Read-only Modified field: Register bits are read-only and will be either set or cleared by software upon read operation. However, the value of this field might be modified by the hardware to reflect a status change. |
| R/W1C | Read-only status, Write-1-to-clear status register: Register bits indicate status when read, a set bit indicating a status event can be cleared by writing a 1b. Writing a 0b to R/W1C bit has no effect. |
| Rsv | Reserved. Write 0b to these fields and ignore read. |
| RC | Read-only status, Read-to-clear status register: Register bits indicate status when read, a set bit indicating a status event is cleared by reading it. |
| SC | Self Clear field: a command field that is self clearing. These field are read as zero after the requested operation is done. |
| WO | Write only field: a command field that can not be read, These field read values are undefined. |
| RC/W | Read-Write status, Read-to-clear status register: Read-to-clear status register. Register bits indicate status when read. Register bits are read-write and can be either set or cleared by software to the desired state. |



Table 8-4. I210 Register Field Attributes (Continued)

| Attribute | Description |
|-----------|--|
| RC/W1C | Read-only status, Write-1-to-clear status register: Read-to-clear status register. Register bits indicate status when read, a set bit indicating a status event can be cleared by writing a 1b or by reading the register. Writing a 0b to RC/W1C bit has no effect. |
| RS | Read Set, This is the attribute used for Semaphore bits. These bits are set by read in case the previous values were 0b. In this case the read value is 0b; otherwise the read value is 1b. Cleared by a write of 0b. |
| R/W1 | Read, Write-1 only register. Once a 1b has been written on a bit, the bit cannot be cleared to 0b. |

PHY registers use a special nomenclature to define the read/write mode of individual bits in each register (see Table 8-5).

Table 8-5. PHY Register Nomenclature

| Register Mode | Description |
|---------------|---|
| LH | Latched High. Event is latched and erased when read. |
| LL | Latched Low. Event is latched and erased when read. For example, Link Loss is latched when the PHY Control Register bit 2 = 0b. After read, if the link is good, the PHY Control Register bit 2 is set to 1b. |
| RO | Read Only. |
| R/W | Read and Write. |
| SC | Self-Clear. The bit is set, automatically executed, and then reset to normal operation. |
| CR | Clear after Read. For example, 1000BASE-T Status Register bits 7:0 (Idle Error Counter). |
| Update | Value written to the register bit does not take effect until software PHY reset is executed. |

Note: For all binary equations appearing in the register map, the symbol “|” is equivalent to a binary OR operation.

8.1.2.1 Registers Byte Ordering

This section defines the structure of registers that contain fields carried over the network. Some examples are L2, L3 and L4 fields.

The following example is used to describe byte ordering over the wire (hex notation):

```

Last                               First
...,06, 05, 04, 03, 02, 01, 00

```

Each byte is sent with the LSbit first. That is, the bit order over the wire for this example is

```

Last                               First
..., 0000 0011, 0000 0010, 0000 0001, 0000 0000

```

The general rule for register ordering is to use host ordering (also called little Endian). Using the previous example, a 6-byte fields (MAC address) is stored in a CSR in the following manner:

```

                Byte 3  Byte 2  Byte 1  Byte0
DW address (N)  0x03   0x02   0x01   0x00
DW address (N+4) ...    ...   0x05   0x04

```



The following exceptions use network ordering (also called big Endian). Using the previous example, a 16-bit field (EtherType) is stored in a CSR in the following manner:

```

                Byte 3 Byte 2 Byte 1 Byte0
(DW aligned)   ...     ...   0x00  0x01
or
(Word aligned) 0x00   0x01   ...   ...
    
```

The following exceptions use network ordering:

All EtherType fields. For example, the *VET EXT* field in the *VET* register, the EType field in the *ETQF* register, the EType field in the METF register.

Note: The normal notation as it appears in text books, etc. is to use network ordering. For example, a MAC address of 00-A0-C9-00-00-00. The order on the network is 00, then A0, then C9, etc; however, the host ordering presentation would be:

```

                Byte 3 Byte 2 Byte 1 Byte0
DW address (N)  00     C9     A0     00
DW address (N+4) ...     ...   00     00
    
```

8.1.3 Register Summary

All the I210's non-PCIe configuration registers, except for the MSI-X register, are listed in [Table 8-6](#). These registers are ordered by grouping and are not necessarily listed in order that they appear in the address space.

Table 8-6. Register Summary

| Offset | Alias Offset | Abbreviation | Name | RW |
|----------------|--------------|--------------|-----------------------------------|-----|
| General | | | | |
| 0x0000 | 0x0004 | CTRL | Device Control Register | RW |
| 0x0008 | N/A | STATUS | Device Status Register | RO |
| 0x0018 | N/A | CTRL_EXT | Extended Device Control Register | RW |
| 0x0020 | N/A | MDIC | MDI Control Register | RW |
| 0x0028 | N/A | FCAL | Flow Control Address Low | RO |
| 0x002C | N/A | FCAH | Flow Control Address High | RO |
| 0x0030 | N/A | FCT | Flow Control Type | RW |
| 0x0034 | N/A | CONNSW | Copper/Fiber Switch Control | RW |
| 0x0038 | N/A | VET | VLAN Ether Type | RW |
| 0x0E04 | N/A | MDICNFG | MDC/MDIO Configuration Register | RW |
| 0x0170 | N/A | FCTTV | Flow Control Transmit Timer Value | RW |
| 0x0E00 | N/A | LEDCTL | LED Control Register | RW |
| 0x1028 | N/A | I2CCMD | SFP I ² C Command | RW |
| 0x102C | N/A | I2CPARAMS | SFP I ² C Parameter | RW |
| 0x1040 | N/A | WDSTP | Watchdog Setup Register | RW |
| 0x1044 | N/A | WDSWSTS | Watchdog Software | RW |
| 0x1048 | N/A | FRTIMER | Free Running Timer | RWM |



Table 8-6. Register Summary (Continued)

| Offset | Alias Offset | Abbreviation | Name | RW |
|---------------------------------|--------------|-------------------|--|--------|
| 0x104C | N/A | TCPTimer | TCP Timer | RW |
| 0x5B70 | N/A | DCA_ID | DCA Requester ID Information Register | RO |
| 0x5B50 | N/A | SWSM | Software Semaphore Register | RW |
| 0x5B54 | N/A | FWSM | Firmware Semaphore Register | RWM |
| 0x5B5C | N/A | SW_FW_SYNC | Software-Firmware Synchronization | RWM |
| 0x0E38 | N/A | IPCNFG | Internal PHY Configuration | RW |
| 0x0E14 | N/A | PHPM | PHY Power Management | RW |
| Flash-Security Registers | | | | |
| 0x12010 | 0x00010 | EEC | EEPROM-Mode Control Register | RW |
| 0x12014 | 0x00014 | EERD | EEPROM-Mode Read Register | RW |
| 0x12018 | 0x1101C | EEWR | EEPROM-Mode Write Register | RW |
| 0x1201C | 0x0001C | FLA | Flash Access Register | RW |
| 0x12030 | N/A | EEMNGCTL | Manageability EEPROM-Mode Control Register | RW |
| 0x12024 | N/A | EEARBC | EEPROM Block Auto Read Bus Control | RW |
| 0x12000 | N/A | FLASHMODE | Flash Mode Register | RO |
| 0x12054 | N/A | FLASHOP | Flash OP-Code Register | RO |
| 0x12058 | N/A | FLASHGOP | Flash General Purpose OP-Code Register | RO |
| 0x12004 | N/A | FLASHTIME | Flash Access Timing Register | RO |
| 0x12100 | N/A | FLBLKBASE | Flash Block Base Address | RO |
| 0x12104 | N/A | FLBLKEND | Flash Block End Address | RO |
| 0x12108 | N/A | FLFWUPDATE | Flash Firmware Code Update | RW |
| 0x1210C | N/A | EEBLKBASE | EEPROM Block Base Address | RO |
| 0x12110 | N/A | EEBLKEND | EEPROM Block End Address | RO |
| 0x12048 | N/A | FLSWCTL | Software Flash Burst Control Register | RW |
| 0x1204C | N/A | FLSWDATA | Software Flash Burst Data Register | RW |
| 0x12050 | N/A | FLSWCNT | Software Flash Burst Access Counter | RW |
| 0x12120 - 0x1221C | N/A | INVM_DATA[0 - 63] | iNVM Data Register | R/W1 |
| 0x12220 - 0x1229C | N/A | INVM_LOCK[0 -31] | iNVM Lock Register | R/W1 |
| 0x12324 | N/A | INVM_PROTECT | iNVM Protect Register | RW |
| Interrupts | | | | |
| 0x1500 | 0x00C0 | ICR | Interrupt Cause Read | RC/W1C |
| 0x1504 | 0x00C8 | ICS | Interrupt Cause Set | WO |
| 0x1508 | 0x00D0 | IMS | Interrupt Mask Set/Read | RW |
| 0x150C | 0x00D8 | IMC | Interrupt Mask Clear | WO |
| 0x1510 | 0x00E0 | IAM | Interrupt Acknowledge Auto Mask | RW |
| 0x1520 | N/A | EICS | Extended Interrupt Cause Set | WO |
| 0x1524 | N/A | EIMS | Extended Interrupt Mask Set/Read | RWM |
| 0x1528 | N/A | EIMC | Extended Interrupt Mask Clear | WO |
| 0x152C | N/A | EIAC | Extended Interrupt Auto Clear | RW |
| 0x1530 | N/A | EIAM | Extended Interrupt Auto Mask | RW |
| 0x1580 | N/A | EICR | Extended Interrupt Cause Read | RC/W1C |



Table 8-6. Register Summary (Continued)

| Offset | Alias Offset | Abbreviation | Name | RW |
|-----------------------|------------------------|---------------|--|-------|
| 0x1700 - 0x170C | N/A | IVAR | Interrupt Vector Allocation Registers | RW |
| 0x1740 | N/A | IVAR_MISC | Interrupt Vector Allocation Registers - MISC | RW |
| 0x1680 - 0x16A0 | N/A | EITR | Extended Interrupt Throttling Rate 0 - 4 | RW |
| 0x1514 | N/A | GPIE | General Purpose Interrupt Enable | RW |
| 0x5B68 | N/A | PBACL | MSI-X PBA Clear | R/W1C |
| Receive | | | | |
| 0x0100 | N/A | RCTL | Rx Control | RW |
| 0x2160 | 0x0168 | FCRTL0 | Flow Control Receive Threshold Low | RW |
| 0x2168 | 0x0160 | FCRTH0 | Flow Control Receive Threshold High | RW |
| 0x2404 | N/A | RXPBSIZE | Rx Packet Buffer Size | RW |
| 0x2460 | N/A | FCRTV | Flow Control Refresh Timer Value | RW |
| 0xC000 | 0x0110, 0x2800 | RDBAL[0] | Rx Descriptor Base Low Queue 0 | RW |
| 0xC004 | 0x0114, 0x2804 | RDBAH[0] | Rx Descriptor Base High Queue 0 | RW |
| 0xC008 | 0x0118, 0x2808 | RDLEN[0] | Rx Descriptor Ring Length Queue 0 | RW |
| 0xC00C | 0x280C | SRRCTL[0] | Split and Replication Receive Control Register Queue 0 | RW |
| 0xC010 | 0x0120, 0x2810 | RDH[0] | Rx Descriptor Head Queue 0 | RO |
| 0xC018 | 0x0128, 0x2818 | RDT[0] | Rx Descriptor Tail Queue 0 | RW |
| 0xC028 | 0x02828 | RXDCTL[0] | Receive Descriptor Control Queue 0 | RW |
| 0xC014 | 0x2814 | RXCTL[0] | Receive Queue 0 DCA CTRL Register | RW |
| 0xC040 + 0x40 * (n-1) | 0x2900 + 0x100 * (n-1) | RDBAL[1 - 3] | Rx Descriptor Base Low Queue 1 - 3 | RW |
| 0xC044 + 0x40 * (n-1) | 0x2904 + 0x100 * (n-1) | RDBAH[1 - 3] | Rx Descriptor Base High Queue 1 - 3 | RW |
| 0xC048 + 0x40 * (n-1) | 0x2908 + 0x100 * (n-1) | RDLEN[1 - 3] | Rx Descriptor Ring Length Queue 1 - 3 | RW |
| 0xC04C + 0x40 * (n-1) | 0x290C + 0x100 * (n-1) | SRRCTL[1 - 3] | Split and Replication Receive Control Register Queue 1 - 3 | RW |
| 0xC050 + 0x40 * (n-1) | 0x2910 + 0x100 * (n-1) | RDH[1 - 3] | Rx Descriptor Head Queue 1 - 3 | RO |
| 0xC058 + 0x40 * (n-1) | 0x2918 + 0x100 * (n-1) | RDT[1 - 3] | Rx Descriptor Tail Queue 1 - 3 | RW |
| 0xC068 + 0x40 * (n-1) | 0x2928 + 0x100 * (n-1) | RXDCTL[1 - 3] | Receive Descriptor Control Queue 1 - 3 | RW |
| 0xC054 + 0x40 * (n-1) | 0x2914 + 0x100 * (n-1) | RXCTL[1 - 3] | Receive Queue 1 - 3 DCA CTRL Register | RW |
| 0x5000 | N/A | RXCSUM | Receive Checksum Control | RW |
| 0x5004 | N/A | RLPML | Receive Long packet maximal length | RW |



Table 8-6. Register Summary (Continued)

| Offset | Alias Offset | Abbreviation | Name | RW |
|-----------------------|------------------------|---------------|---|----|
| 0x5008 | N/A | RFCTL | Receive Filter Control Register | RW |
| 0x5200- 0x53FC | 0x0200-0x03FC | MTA[127:0] | Multicast Table Array (n) | RW |
| 0x5400 + 8*n | 0x0040 + 8*n | RAL[0-15] | Receive Address Low (15:0) | RW |
| 0x5404 + 8 *n | 0x0044 + 8 *n | RAH[0-15] | Receive Address High (15:0) | RW |
| 0x5480 - 0x549C | N/A | PSRTYPE[3:0] | Packet Split Receive type (n) | RW |
| 0x5600-0x57FC | 0x0600-0x07FC | VFTA[127:0] | VLAN Filter Table Array (n) | RW |
| 0x5818 | N/A | MRQC | Multiple Receive Queues Command | RW |
| 0x5C00-0x5C7C | N/A | RETA | Redirection Table | RW |
| 0x5C80-0x5CA4 | N/A | RSSRK | RSS Random Key Register | RW |
| 0xC038 + 0x40*n | N/A | DVMOLR[0 - 3] | DMA VM Offload Register[0-3] | RW |
| Transmit | | | | |
| 0x0400 | N/A | TCTL | Tx Control | RW |
| 0x0404 | N/A | TCTL_EXT | Tx Control Extended | RW |
| 0x0410 | N/A | TIPG | Tx IPG | RW |
| 0x041C | N/A | RETX_CTL | Retry Buffer Control | RW |
| 0x3404 | N/A | TXPBSIZE | Transmit Packet Buffer Size | RW |
| 0x359C | N/A | DTXTCPFLGL | DMA Tx TCP Flags Control Low | RW |
| 0x35A0 | N/A | DTXTCPFLGH | DMA Tx TCP Flags Control High | RW |
| 0x3540 | N/A | DTXMXSZRQ | DMA Tx Max Total Allow Size Requests | RW |
| 0x355C | N/A | DTXMPKTSZ | DMA Tx Max Allowable Packet Size | RW |
| 0x3590 | N/A | DTXCTL | DMA Tx Control | RW |
| 0x35A4 | N/A | DTXBCTL | DMA Tx Behavior Control | RW |
| 0xE000 | 0x0420, 0x3800 | TDBAL[0] | Tx Descriptor Base Low 0 | RW |
| 0xE004 | 0x0424, 0x3804 | TDBAH[0] | Tx Descriptor Base High 0 | RW |
| 0xE008 | 0x0428, 0x3808 | TDLEN[0] | Tx Descriptor Ring Length 0 | RW |
| 0xE010 | 0x0430, 0x3810 | TDH[0] | Tx Descriptor Head 0 | RO |
| 0xE018 | 0x0438, 0x3818 | TDT[0] | Tx Descriptor Tail 0 | RW |
| 0xE028 | 0x3828 | TXDCTL[0] | Transmit Descriptor Control Queue 0 | RW |
| 0xE014 | 0x3814 | TXCTL[0] | Tx DCA CTRL Register Queue 0 | RW |
| 0xE038 | 0x3838 | TDWBAL[0] | Transmit Descriptor WB Address Low Queue 0 | RW |
| 0xE03C | 0x383C | TDWBAH[0] | Transmit Descriptor WB Address High Queue 0 | RW |
| 0xE040 + 0x40 * (n-1) | 0x3900 + 0x100 * (n-1) | TDBAL[1-3] | Tx Descriptor Base Low Queue 1 - 3 | RW |
| 0xE044 + 0x40 * (n-1) | 0x3904 + 0x100 * (n-1) | TDBAH[1-3] | Tx Descriptor Base High Queue 1 - 3 | RW |



Table 8-6. Register Summary (Continued)

| Offset | Alias Offset | Abbreviation | Name | RW |
|-----------------------------|------------------------|----------------|---|----|
| 0xE048 + 0x40 * (n-1) | 0x3908 + 0x100 * (n-1) | TDLEN[1-3] | Tx Descriptor Ring Length Queue 1 - 3 | RW |
| 0xE050 + 0x40 * (n-1) | 0x3910 + 0x100 * (n-1) | TDH[1-3] | Tx Descriptor Head Queue 1 - 3 | RO |
| 0xE058 + 0x40 * (n-1) | 0x3918 + 0x100 * (n-1) | TDT[1-3] | Tx Descriptor Tail Queue 1 - 3 | RW |
| 0xE068 + 0x40 * (n-1) | 0x3928 + 0x100 * (n-1) | TXDCTL[1-3] | Transmit Descriptor Control 1 - 3 | RW |
| 0xE054 + 0x40 * (n-1) | 0x3914 + 0x100 * (n-1) | TXCTL[1-3] | Tx DCA CTRL Register Queue 1 - 3 | RW |
| 0xE078 + 0x40 * (n-1) | 0x3938 + 0x100 * (n-1) | TDWBAL[1-3] | Transmit Descriptor WB Address Low Queue 1 - 3 | RW |
| 0xE07C + 0x40 * (n-1) | 0x393C + 0x100 * (n-1) | TDWBAH[1-3] | Transmit Descriptor WB Address High Queue 1 - 3 | RW |
| 0x300C + 0x40 * n | N/A | TQAVHC | Transmit Qav High Credits | RW |
| 0x3004 + 0x40 * n | N/A | TQAVCC[0-1] | Transmit Qav | RW |
| 0x3570 | N/A | TQAVCTRL | Transmit Qav Control | RW |
| Filters | | | | |
| 0x5CB0 + 4 * n | N/A | ETQF[0 - 7] | EType Queue Filter 0 - 7 | RW |
| 0x5A80 + 4 * n | N/A | IMIR[0 - 7] | Immediate Interrupt Rx 0 - 7 | RW |
| 0x5AA0 + 4 * n | N/A | IMIREXT[0 - 7] | Immediate Interrupt Rx Extended 0 - 7 | RW |
| 0x5AC0 | N/A | IMIRVP | Immediate Interrupt Rx VLAN Priority | RW |
| 0x59E0 + 4 * n | N/A | TTQF[0 - 7] | Two-Tuple Queue Filter 0 - 7 | RW |
| 0x55FC | N/A | SYNQF | SYN Packet Queue Filter | RW |
| Per Queue Statistics | | | | |
| 0xC030 + 0x40 * n | 0x2830 + 0x100 * n | RQDPC[0 - 3] | Receive Queue Drop Packet Count Register 0 - 3 | RW |
| 0xE030 + 0x40 * n | N/A | TQDPC[0 - 3] | Transmit Queue Drop Packet Count Register 0 - 3 | RW |
| 0x10010 + 0x100 * n | N/A | PQGPRC[0 - 3] | Per Queue Good Packets Received Count | RO |
| 0x10014 + 0x100 * n | N/A | PQGPTC[0 - 3] | Per Queue Good Packets Transmitted Count | RO |
| 0x10018 + 0x100 * n | N/A | PQGORC[0 - 3] | Per Queue Good Octets Received Count | RO |
| 0x10034 + 0x100 * n | N/A | PQGOTC[0 - 3] | Per Queue Octets Transmitted Count | RO |
| 0x10038 + 0x100 * n | N/A | PQMPRC[0 - 3] | Per Queue Multicast Packets Received Count | RO |
| Statistics | | | | |
| 0x4000 | N/A | CRCERRS | CRC Error Count | RC |
| 0x4004 | N/A | ALGNERRC | Alignment Error Count | RC |
| 0x4008 | N/A | SYMERRS | Symbol Error Count | RC |



Table 8-6. Register Summary (Continued)

| Offset | Alias Offset | Abbreviation | Name | RW |
|--------|--------------|--------------|--|----|
| 0x400C | N/A | RXERRC | Rx Error Count | RC |
| 0x4010 | N/A | MPC | Missed Packets Count | RC |
| 0x4014 | N/A | SCC | Single Collision Count | RC |
| 0x4018 | N/A | ECOL | Excessive Collisions Count | RC |
| 0x401C | N/A | MCC | Multiple Collision Count | RC |
| 0x4020 | N/A | LATECOL | Late Collisions Count | RC |
| 0x4028 | N/A | COLC | Collision Count | RC |
| 0x4030 | N/A | DC | Defer Count | RC |
| 0x4034 | N/A | TNCRS | Transmit - No CRS | RC |
| 0x403C | N/A | HTDPMC | Host Transmit Discarded Packets by MAC Count | RC |
| 0x4040 | N/A | RLEC | Receive Length Error Count | RC |
| 0x4048 | N/A | XONRXC | XON Received Count | RC |
| 0x404C | N/A | XONTXC | XON Transmitted Count | RC |
| 0x4050 | N/A | XOFFRXC | XOFF Received Count | RC |
| 0x4054 | N/A | XOFFTXC | XOFF Transmitted Count | RC |
| 0x4058 | N/A | FCRUC | FC Received Unsupported Count | RC |
| 0x405C | N/A | PRC64 | Packets Received (64 Bytes) Count | RC |
| 0x4060 | N/A | PRC127 | Packets Received (65-127 Bytes) Count | RC |
| 0x4064 | N/A | PRC255 | Packets Received (128-255 Bytes) Count | RC |
| 0x4068 | N/A | PRC511 | Packets Received (256-511 Bytes) Count | RC |
| 0x406C | N/A | PRC1023 | Packets Received (512-1023 Bytes) Count | RC |
| 0x4070 | N/A | PRC1522 | Packets Received (1024-1522 Bytes) | RC |
| 0x4074 | N/A | GPRC | Good Packets Received Count | RC |
| 0x4078 | N/A | BPRC | Broadcast Packets Received Count | RC |
| 0x407C | N/A | MPRC | Multicast Packets Received Count | RC |
| 0x4080 | N/A | GPTC | Good Packets Transmitted Count | RC |
| 0x4088 | N/A | GORCL | Good Octets Received Count (Lo) | RC |
| 0x408C | N/A | GORCH | Good Octets Received Count (Hi) | RC |
| 0x4090 | N/A | GOTCL | Good Octets Transmitted Count (Lo) | RC |
| 0x4094 | N/A | GOTCH | Good Octets Transmitted Count (Hi) | RC |
| 0x40A0 | N/A | RNBC | Receive No Buffers Count | RC |
| 0x40A4 | N/A | RUC | Receive Under Size Count | RC |
| 0x40A8 | N/A | RFC | Receive Fragment Count | RC |
| 0x40AC | N/A | ROC | Receive Oversize Count | RC |
| 0x40B0 | N/A | RJC | Receive Jabber Count | RC |
| 0x40B4 | N/A | MNGPRC | Management Packets Receive Count | RC |
| 0x40B8 | N/A | MPDC | Management Packets Dropped Count | RC |
| 0x40BC | N/A | MNGPTC | Management Packets Transmitted Count | RC |
| 0x40C0 | N/A | TORL | Total Octets Received (Lo) | RC |
| 0x8FE0 | N/A | B2OSPC | BMC2OS Packets Sent by MC | RC |
| 0x4158 | N/A | B2OGPRC | BMC2OS Packets Received by Host | RC |
| 0x8FE4 | N/A | O2BGPTC | OS2BMC Packets Received by MC | RC |
| 0x415C | N/A | O2BSPC | OS2BMC Packets Transmitted By Host | RC |
| 0x40C4 | N/A | TORH | Total Octets Received (Hi) | RC |

**Table 8-6. Register Summary (Continued)**

| Offset | Alias Offset | Abbreviation | Name | RW |
|---------------------------------|--------------|--------------|---|------|
| 0x40C8 | N/A | TOTL | Total Octets Transmitted (Lo) | RC |
| 0x40CC | N/A | TOTH | Total Octets Transmitted (Hi) | RC |
| 0x40D0 | N/A | TPR | Total Packets Received | RC |
| 0x40D4 | N/A | TPT | Total Packets Transmitted | RC |
| 0x40D8 | N/A | PTC64 | Packets Transmitted (64 Bytes) Count | RC |
| 0x40DC | N/A | PTC127 | Packets Transmitted (65-127 Bytes) Count | RC |
| 0x40E0 | N/A | PTC255 | Packets Transmitted (128-256 Bytes) Count | RC |
| 0x40E4 | N/A | PTC511 | Packets Transmitted (256-511 Bytes) Count | RC |
| 0x40E8 | N/A | PTC1023 | Packets Transmitted (512-1023 Bytes) Count | RC |
| 0x40EC | N/A | PTC1522 | Packets Transmitted (1024-1522 Bytes) Count | RC |
| 0x40F0 | N/A | MPTC | Multicast Packets Transmitted Count | RC |
| 0x40F4 | N/A | BPTC | Broadcast Packets Transmitted Count | RC |
| 0x40F8 | N/A | TSCTC | TCP Segmentation Context Transmitted Count | RC |
| 0x4100 | N/A | IAC | Interrupt Assertion Count | RC |
| 0x4104 | N/A | RPTH | Rx Packets to Host Count | RC |
| 0x4148 | N/A | TLPIC | EEE Tx LPI Count | RC |
| 0x414C | N/A | RLPIC | EEE Rx LPI Count | RC |
| 0x4118 | N/A | HGPTC | Host Good Packets Transmitted Count | RC |
| 0x4120 | N/A | RXDMTC | Rx Descriptor Minimum Threshold Count | RC |
| 0x4128 | N/A | HGORCL | Host Good Octets Received Count (Lo) | RC |
| 0x412C | N/A | HGORCH | Host Good Octets Received Count (Hi) | RC |
| 0x4130 | N/A | HGOTCL | Host Good Octets Transmitted Count (Lo) | RC |
| 0x4134 | N/A | HGOTCH | Host Good Octets Transmitted Count (Hi) | RC |
| 0x4138 | N/A | LENERRS | Length Errors Count Register | RC |
| 0x4228 | N/A | SCVPC | SerDes/SGMII/1000BASE-KX Code Violation Packet Count Register | RW |
| 0x4154 | N/A | MNGFBDPC | Management Full Buffer Drop Packet Count | RC/W |
| Manageability Statistics | | | | |
| 0x413C | N/A | BMNGPRC | MC Management Packets Receive Count | RC |
| 0x4140 | N/A | BMRPDC | MC Management Receive Packets Dropped Count | RC |
| 0x8FDC | N/A | BMTPDC | MC Management Transmit Packets Dropped Count | RC |
| 0x4144 | N/A | BMNGPTC | MC Management Packets Transmitted Count | RC |
| 0x4400 | N/A | BUPRC | MC Total Unicast Packets Received | RC |
| 0x4404 | N/A | BMPRC | MC Total Multicast Packets Received | RC |
| 0x4408 | N/A | BBPRC | MC Total Broadcast Packets Received | RC |
| 0x440C | N/A | BUPTC | MC Total Unicast Packets Transmitted | RC |
| 0x4410 | N/A | BMPTC | MC Total Multicast Packets Transmitted | RC |
| 0x4414 | N/A | BBPTC | MC Total Broadcast Packets Transmitted | RC |
| 0x4418 | N/A | BCRCERRS | MC FCS Receive Errors | RC |
| 0x441C | N/A | BALGNERRC | MC Alignment Errors | RC |
| 0x4420 | N/A | BXONRXC | MC Pause XON Frames Received | RC |
| 0x4424 | N/A | BXOFFRXC | MC Pause XOFF Frames Received | RC |
| 0x4428 | N/A | BXONTXC | MC Pause XON Frames Transmitted | RC |
| 0x442C | N/A | BXOFFTXC | MC Pause XOFF Frames Transmitted | RC |



Table 8-6. Register Summary (Continued)

| Offset | Alias Offset | Abbreviation | Name | RW |
|-----------------------------|--------------|---------------|---|-------|
| 0x4430 | N/A | BSCC | MC Single Collision Transmit Frames | RC |
| 0x4434 | N/A | BMCC | MC Multiple Collision Transmit Frames | RC |
| Wake Up and Proxying | | | | |
| 0x5800 | N/A | WUC | Wake Up Control | RW |
| 0x5808 | N/A | WUFC | Wake Up Filter Control | RW |
| 0x5810 | N/A | WUS | Wake Up Status | R/W1C |
| 0x5F60 | N/A | PROXYFC | Proxying Filter Control | RW |
| 0x5F64 | N/A | PROXYS | Proxying Status | R/W1C |
| 0x5838 | N/A | IPAV | IP Address Valid | RW |
| 0x5840- 0x5858 | N/A | IP4AT | IPv4 Address Table | RW |
| 0x5880- 0x588F | N/A | IP6AT | IPv6 Address Table | RW |
| 0x5900 | N/A | WUPL | Wake Up Packet Length | RO |
| 0x5A00- 0x5A7C | N/A | WUPM | Wake Up Packet Memory | RO |
| 0x9000-0x93FC | N/A | FHFT | Flexible Host Filter Table Registers | RW |
| 0x9A00-0x9DFC | N/A | FHFT_EXT | Flexible Host Filter Table Registers Extended | RW |
| 0x5590 | N/A | PROXYFCEX | Proxy Filter Control Extended | RW |
| 0x5594 | N/A | PROXYEXS | Proxy Extended Status | R/W1C |
| 0x5500-0x557C | N/A | WFUTPF[31:0] | Wake Flex UDP TCP Port Filter | RW |
| 0x5580 | N/A | RFUTPF | Range Flex UDP TCP Port Filter | RW |
| 0x5584 | N/A | RWPFC | Range Wake Port Filter Control | RW |
| 0x5588 | N/A | WFUTPS | Wake Filter UDP TCP Status | R/W1C |
| 0x558C | N/A | WCS | Wake Control Status | R/W1C |
| Manageability | | | | |
| 0x5010 - 0x502C | N/A | MAVTV[7:0] | VLAN TAG Value 7 - 0 | RW |
| 0x5030 - 0x504C | N/A | MFUTP[7:0] | Management Flex UDP/TCP Ports [0-7] | RW |
| 0x5070 - 0x508C | N/A | MFUTP[15:0] | Management Flex UDP/TCP Ports [8-15] | RW |
| 0x5060 - 0x506C | N/A | METF[3:0] | Management Ethernet Type Filters | RW |
| 0x5820 | N/A | MANC | Management Control | RW |
| 0x5864 | N/A | MNGONLY | Management Only Traffic Register | RW |
| 0x5870 | N/A | MSFM | Special Filters Modifiers | RW |
| 0x5890 - 0x58AC | N/A | MDEF[7:0] | Manageability Decision Filters | RW |
| 0x5930 - 0x594C | N/A | MDEF_EXT[7:0] | Manageability Decision Filters | RW |
| 0x58B0 - 0x58EC | N/A | MIPAF[15:0] | Manageability IP Address Filter | RW |
| 0x5910 + 8*n | N/A | MMAL[3:0] | Manageability MAC Address Low 3:0 | RW |
| 0x5914 + 8*n | N/A | MMAH[3:0] | Manageability MAC Address High 3:0 | RW |
| 0x9400-0x94FC | N/A | FTFT | Flexible TCO Filter Table | RW |
| 0x8800-0x8EFC | N/A | HOST_INT_MEM | Host Interface Memory Address Space | RW |
| 0x8F00 | N/A | HICR | HOST Interface Control Register | RW |
| 0x8F40 | N/A | HIBBA | Host Interface Buffer Base Address | RW |



Table 8-6. Register Summary (Continued)

| Offset | Alias Offset | Abbreviation | Name | RW |
|-----------------------------------|--------------|--------------|--|----------|
| 0x8F44 | N/A | HIBMAXOFF | Host Interface Buffer Maximum Offset | RO |
| PCIe | | | | |
| 0x5B00 | N/A | GCR | PCIe Control Register | RW |
| 0x5B10 | N/A | GSCL_1 | PCIe Statistics Control #1 | RW |
| 0x5B14 | N/A | GSCL_2 | PCIe Statistics Control #2 | RW |
| 0x5B90 - 0x5B9C | N/A | GSCL_5_8 | PCIe Statistics Control Leaky Bucket Timer | RW |
| 0x5B20 | N/A | GSCN_0 | PCIe Counter Register #0 | RW |
| 0x5B24 | N/A | GSCN_1 | PCIe Counter Register #1 | RW |
| 0x5B28 | N/A | GSCN_2 | PCIe Counter Register #2 | RW |
| 0x5B2C | N/A | GSCN_3 | PCIe Counter Register #3 | RW |
| 0x5B30 | N/A | FACTPS | Function Active and Power State | RW |
| 0x5B64 | N/A | MREVID | Mirrored Revision ID | RO |
| 0x5B6C | N/A | GCR_EXT | PCIe Control Extended Register | RW |
| 0x5B74 | N/A | DCA_CTRL | DCA Control Register | RW |
| 0x5B88 | N/A | PICAUSE | PCIe Interrupt Cause | R/W1C |
| 0x5B8C | N/A | PIENA | PCIe Interrupt Enable | RW |
| 0x5BFC | N/A | BARCTRL | PCIe BAR Control | RW |
| 0x5BF4 | N/A | RR2DCDELAY | Read Request To Data Completion Delay Register | RC |
| 0x5B4C | N/A | PCIEMCTP | PCIe MCTP Register | RW to FW |
| Memory Error Detection | | | | |
| 0x1084 | N/A | PEIND | Parity and ECC Indication | RC |
| 0x1088 | N/A | PEINDM | Parity and ECC Indication Mask | RW |
| 0x245C | N/A | PBECCSTS | Packet Buffer ECC Status | RW |
| 0x5BA0 | N/A | PCIEERRCTL | PCIe Parity Control Register | RW |
| 0x5BA4 | N/A | PCIEECCCTL | PCIe ECC Control Register | RW |
| 0x5BA8 | N/A | PCIEERRSTS | PCIe Parity Status Register | R/W1C |
| 0x5BAC | N/A | PCIEECCSTS | PCIe ECC Status Register | R/W1C |
| 0x5B7C | N/A | PCIEACL01 | PCIe ACL0 and ACL1 Register | RW to FW |
| 0x5B80 | N/A | PCIEACL23 | PCIe ACL2 and ACL3 Register | RW to FW |
| 0x5F54 | N/A | LANPERRCTL | LAN Port Parity Error Control Register | RW to FW |
| 0x5F58 | N/A | LANPERRSTS | LAN Port Parity Error Status Register | R/W1C |
| 0x5F5C | N/A | LANPERRINJ | LAN Port Parity Error Inject Register | SC |
| Power Management Registers | | | | |
| 0x2508 | N/A | DMACR | DMA Coalescing Control Register | RW |
| 0x2514 | N/A | DMCTLX | DMA Coalescing Time to LX Request | RW |
| 0x3550 | N/A | DMCTXTH | DMA Coalescing Transmit Threshold | RW |
| 0x5DD4 | N/A | DMCCNT | DMA Coalescing Current Rx Count | RO |
| 0x2170 | N/A | FCRTC | Flow Control Receive Threshold Coalescing | RW |
| 0x3F24 | N/A | DOBFCTL | DMA OBF Control | RW |
| 0x5DC8 | N/A | DMACTC | DMA Coalescing Clock Control Time Counter | RO |
| 0x5BB0 | N/A | LTRMINV | Latency Tolerance Reporting (LTR) Minimum Values | RW |
| 0x5BB4 | N/A | LTRMAXV | Latency Tolerance Reporting (LTR) Maximum Values | RW |



Table 8-6. Register Summary (Continued)

| Offset | Alias Offset | Abbreviation | Name | RW |
|-------------------|--------------|--------------|---|--------|
| 0x01A0 | N/A | LTRC | Latency Tolerance Reporting (LTR) Control | RW |
| 0x0E30 | N/A | EEER | Energy Efficient Ethernet (EEE) Register | RW |
| Diagnostic | | | | |
| 0x5BB8 | N/A | PCIEMISC | PCIe Misc. Register | RW |
| PCS | | | | |
| 0x4200 | N/A | PCS_CFG | PCS Configuration 0 Register | RW |
| 0x4208 | N/A | PCS_LCTL | PCS Link Control Register | RW |
| 0x420C | N/A | PCS_LSTS | PCS Link Status Register | RO |
| 0x4210 | N/A | PCS_DBG0 | PCS Debug 0 Register | RO |
| 0x4214 | N/A | PCS_DBG1 | PCS Debug 1 Register | RO |
| 0x4218 | N/A | PCS_ANADV | AN Advertisement Register | RW |
| 0x421C | N/A | PCS_LPAB | Link Partner Ability Register | RO |
| 0x4220 | N/A | PCS_NPTX | AN Next Page Transmit Register | RW |
| 0x4224 | N/A | PCS_LPABNP | Link Partner Ability Next Page Register | RO |
| Time Sync | | | | |
| 0xB620 | N/A | TSYNCRXCTL | Rx Time Sync Control Register | RW |
| 0xB624 | N/A | RXSTMPL | Rx Timestamp Low | RO |
| 0xB628 | N/A | RXSTMPLH | Rx Timestamp High | RO |
| 0xB614 | N/A | TSYNCTXCTL | Tx Time Sync Control Register | RW |
| 0xB618 | N/A | TXSTMPL | Tx Timestamp Value Low | RO |
| 0xB61C | N/A | TXSTMPLH | Tx Timestamp Value High | RO |
| 0xB6F8 | N/A | SYSTMIR | System Time Residue Register | RW |
| 0xB600 | N/A | SYSTMIL | System Time Register Low | RW |
| 0xB604 | N/A | SYSTMIH | System Time Register High | RW |
| 0xB6FC | N/A | SYSTMIMT | System Time Register Tx MS | RW |
| 0xB608 | N/A | TIMINCA | Increment Attributes Register | RW |
| 0xB60C | N/A | TIMADJ | Time Adjustment Offset Register | RW |
| 0xB640 | N/A | TSAUXC | Auxiliary Control Register | RW |
| 0xB644 | N/A | TRGTTIML0 | Target Time Register 0 Low | RW |
| 0xB648 | N/A | TRGTTIMH0 | Target Time Register 0 High | RW |
| 0xB64C | N/A | TRGTTIML1 | Target Time Register 1 Low | RW |
| 0xB650 | N/A | TRGTTIMH1 | Target Time Register 1 High | RW |
| 0xB654 | N/A | FREQOUT0 | Frequency Out 0 Control Register | RW |
| 0xB658 | N/A | FREQOUT1 | Frequency Out 1 Control Register | RW |
| 0xB65C | N/A | AUXSTMPL0 | Auxiliary Timestamp 0 Register Low | RO |
| 0xB660 | N/A | AUXSTMPLH0 | Auxiliary Timestamp 0 Register High | RO |
| 0xB664 | N/A | AUXSTMPL1 | Auxiliary Timestamp 1 Register Low | RO |
| 0xB668 | N/A | AUXSTMPLH1 | Auxiliary Timestamp 1 Register High | RO |
| 0x5F50 | N/A | TSYNCRXCFG | Time Sync Rx Configuration | RW |
| 0x003C | N/A | TSSDP | Time Sync SDP Configuration Register | RW |
| 0xB66C | N/A | TSICR | Time Sync Interrupt Cause Register | RC/W1C |
| 0xB674 | N/A | TSIM | Time Sync Interrupt Mask Register | RW |
| 0x3578 | N/A | LAUNCH_OS0 | Launch Time Offset Register 0 | RW |



8.1.3.1 Alias Addresses

Certain registers maintain an alias address designed for backward compatibility with software written for previous GbE controllers. For these registers, the alias address is listed [Table 8-6](#). Those registers can be accessed by software at either the new offset or the alias offset. It is recommended that software that is written solely for the I210, use the new address offset.

8.1.4 MSI-X BAR Register Summary

Table 8-7. MSI-X Register Summary

| Category | Offset | Abbreviation | Name | RW | Page |
|-------------|------------------------------|--------------|----------------------------------|-----|--------------------------|
| MSI-X Table | 0x0000 + n*0x10 [n=0...4] | MSIXTADD | MSI-X Table Entry Lower Address | RW | page 424 |
| MSI-X Table | 0x0004 + n*0x10 [n=0...4] | MSIXTUADD | MSI-X Table Entry Upper Address | RW | page 424 |
| MSI-X Table | 0x0008 + n*0x10 [n=0...4] | MSIXTMSG | MSI-X Table Entry Message | R/W | page 424 |
| MSI-X Table | 0x000C + n*0x10 [n=0...4] | MSIXTVCTRL | MSI-X Table Entry Vector Control | R/W | page 425 |
| MSI-X Table | 0x02000 | MSIXPBA | MSIXPBA Bit Description | RO | page 425 |

8.2 General Register Descriptions

8.2.1 Device Control Register - CTRL (0x0000; R/W)

This register, as well as the Extended Device Control (CTRL_EXT) register, controls the major operational modes for the device. While software writes to this register to control device settings, several bits (such as FD and SPEED) can be overridden depending on other bit settings and the resultant link configuration determined by the PHY's auto-negotiation resolution. See [Section 4.6.7](#) for details on the setup of these registers in the different link modes.

Note: This register is also aliased at address 0x0004.

| Field | Bit(s) | Initial Value | Description |
|--------------------|--------|-----------------|---|
| FD | 0 | 1b ¹ | Full-Duplex Controls the MAC duplex setting when explicitly set by software. 0b = Half duplex. 1b = Full duplex. |
| Reserved | 1 | 0b | Reserved Write 0b; ignore on read. |
| GIO Master Disable | 2 | 0b | When set to 1b, the function of this bit blocks new master requests including manageability requests. If no master requests are pending by this function, the <i>STATUS.GIO Master Enable Status</i> bit is set. See Section 5.2.3.3 for further information. |
| Reserved | 5:3 | 0x0 | Reserved Write 0b; ignore on read. |



| Field | Bit(s) | Initial Value | Description |
|------------|--------|-----------------|---|
| SLU | 6 | 0b ¹ | <p>Set Link Up</p> <p>Set Link Up must be set to 1b to permit the MAC to recognize the LINK signal from the PHY, which indicates the PHY has gotten the link up, and is ready to receive and transmit data.</p> <p>See Section 3.7.4 for more information about auto-negotiation and link configuration in the various modes.</p> <p>Notes:</p> <ol style="list-style-type: none"> The <i>CTRL.SLU</i> bit is normally initialized to 0b. However, if the <i>APM Enable</i> bit is set in the Flash then it is initialized to 1b. The <i>CTRL.SLU</i> bit is set to 1b if the <i>Enable All Phys in D3</i> bit in the Common Firmware Parameters 2 Flash word is set to 1b (See Section 6.7.1.3). The <i>CTRL.SLU</i> bit is set in NC-SI mode according to the Enable Channel command to the port. In SerDes and 1000Base-KX modes Link up can be forced by setting this bit as described in Section 3.7.4.1.4. |
| ILOS | 7 | 0b ¹ | <p>Invert Loss-of-Signal (LOS/LINK) Signal</p> <p>This bit controls the polarity of the <i>SRDS_[n]_SIG_DET</i> signal or internal link-up signal.</p> <p>0b = Do not invert (active high input signal). 1b = Invert signal (active low input signal).</p> <p>Notes:</p> <ol style="list-style-type: none"> Source of the link-up signal (<i>SRDS_[n]_SIG_DET</i> signal or internal link-up signal) is set via the <i>CONMSW.ENRGSR</i> bit. When using the internal link-up signal, this bit should be set to 0b. Should be set to 0b when using an internal copper PHY or when working in SGMII, 1000BASE-BX or 1000BASE-KX modes. |
| SPEED | 9:8 | 10b | <p>Speed Selection.</p> <p>These bits determine the speed configuration and are written by software after reading the PHY configuration through the MDIO interface.</p> <p>These signals are ignored when auto-speed detection is enabled.</p> <p>00b = 10 Mb/s. 01b = 100 Mb/s. 10b = 1000 Mb/s. 11b = Not used.</p> |
| Reserved | 10 | 0b | <p>Reserved.</p> <p>Write 0b, ignore on read.</p> |
| FRCSPD | 11 | 0b ¹ | <p>Force Speed</p> <p>This bit is set when software needs to manually configure the MAC speed settings according to the SPEED bits.</p> <p>Note that MAC and PHY must resolve to the same speed configuration or software must manually set the PHY to the same speed as the MAC.</p> <p>Software must clear this bit to enable the PHY or ASD function to control the MAC speed setting. Note that this bit is superseded by the <i>CTRL_EXT.SPD_BYPS</i> bit, which has a similar function.</p> |
| FRCDFDX | 12 | 0b | <p>Force Duplex</p> <p>When set to 1b, software can override the duplex indication from the PHY that is indicated in the FDX to the MAC. Otherwise, in 10/100/1000Base-T link mode, the duplex setting is sampled from the PHY FDX indication into the MAC on the asserting edge of the PHY LINK signal. When asserted, the <i>CTRL.FD</i> bit sets duplex.</p> |
| Reserved | 15:13 | 0x0 | <p>Reserved</p> <p>Write 0b, ignore on read.</p> |
| SDP0_GPIEN | 16 | 0b | <p>General Purpose Interrupt Detection Enable for SDP0</p> <p>If software-controlled I/O pin SDP0 is configured as an input, this bit (when 1b) enables the use for GPI interrupt detection.</p> |
| SDP1_GPIEN | 17 | 0b | <p>General Purpose Interrupt Detection Enable for SDP1</p> <p>If software-controlled I/O pin SDP1 is configured as an input, this bit (when 1b) enables the use for GPI interrupt detection.</p> |



| Field | Bit(s) | Initial Value | Description |
|-----------------|--------|-----------------|--|
| SDP0 DATA (RWM) | 18 | 0b ¹ | SDP0 Data Value Used to read or write the value of software-controlled I/O pin SDP0. If SDP0 is configured as an output (<i>SDP0_IODIR</i> = 1b), this bit controls the value driven on the pin (initial value Flash-configurable). If SDP0 is configured as an input, reads return the current value of the pin. When the SDP0_WDE bit is set, this field indicates the polarity of the watchdog indication. Note: |
| SDP1 DATA (RWM) | 19 | 0b ¹ | SDP1 Data Value Used to read or write the value of software-controlled I/O pin SDP1. If SDP1 is configured as an output (<i>SDP1_IODIR</i> = 1b), this bit controls the value driven on the pin (initial value Flash-configurable). If SDP1 is configured as an input, reads return the current value of the pin. Note: |
| ADV3WUC | 20 | 1b ¹ | D3Cold Wake up Capability Enable When this bit is set to 0b, PME (WAKE#) is not generated in D3Cold. Bit loaded from Flash (refer to Section 6.2.21). |
| SDP0_WDE | 21 | 0b ¹ | SDP0 used for Watchdog Indication When set, SDP0 is used as a watchdog indication. When set, the <i>SDP0_DATA</i> bit indicates the polarity of the watchdog indication. In this mode, <i>SDP0_IODIR</i> must be set to an output. |
| SDP0_IODIR | 22 | 0b ¹ | SDP0 Pin Direction Controls whether software-controllable pin SDP0 is configured as an input or output (0b = input, 1b = output). Initial value is Flash-configurable. This bit is not affected by software or system reset, only by initial power-on or direct software writes. |
| SDP1_IODIR | 23 | 0b ¹ | SDP1 Pin Direction Controls whether software-controllable pin SDP1 is configured as an input or output (0b = input, 1b = output). Initial value is Flash-configurable. This bit is not affected by software or system reset, only by initial power-on or direct software writes. |
| Reserved | 25:24 | 0x0 | Reserved. Write 0b, ignore on read. |
| RST (SC) | 26 | 0b | Port Software Reset This bit performs a reset to the LAN port, resulting in a state nearly approximating the state following a power-up reset or internal PCIe reset, except for system PCI configuration and DMA logic. 0b = Normal. 1b = Reset. This bit is self clearing and is referred to as software reset or global reset. |
| RFCE | 27 | 1b | Receive Flow Control Enable When set, indicates that the I210 responds to the reception of flow control packets. If auto-negotiation is enabled, this bit is set to the negotiated flow control value. In SerDes mode the resolution is done by the hardware. In internal PHY, SGMII or 1000BASE-KX modes it should be done by the software. |
| TFCE | 28 | 0b | Transmit Flow Control Enable When set, indicates that the I210 transmits flow control packets (XON and XOFF frames) based on the receiver fullness. If auto-negotiation is enabled, this bit is set to the negotiated duplex value. In SerDes mode the resolution is done by the hardware. In internal PHY, SGMII or 1000BASE-KX modes it should be done by the software. |



| Field | Bit(s) | Initial Value | Description |
|--------------|--------|---------------|---|
| DEV_RST (SC) | 29 | 0b | <p>Device Reset</p> <p>This bit performs a reset of the entire controller device, resulting in a state nearly approximating the state following a power-up reset or internal PCIe reset, except for system PCI configuration.</p> <p>0b = Normal. 1b = Reset.</p> <p>This bit is self clearing.</p> <p>Notes:</p> <ol style="list-style-type: none"> 1. Asserting <i>DEV_RST</i> generates an interrupt via the ICR.DRSTA interrupt bit. 2. Device Reset (<i>CTRL.DEV_RST</i>) can be used to globally reset the entire component if the <i>DEV_RST_EN</i> bit in Initialization Control 4 Flash word is set. 3. Asserting <i>DEV_RST</i> sets the <i>STATUS.DEV_RST_SET</i> bit. |
| VME | 30 | 0b | <p>VLAN Mode Enable</p> <p>When set to 1b, VLAN information is stripped from all received 802.1Q packets.</p> <p>Note: If this bit is set, the <i>RCTL.SECRC</i> bit should also be set as the CRC is not valid anymore.</p> |
| PHY_RST | 31 | 0b | <p>PHY Reset</p> <p>Generates a hardware-level reset to the internal 1000BASE-T PHY.</p> <p>0b = Normal operation. 1b = Internal PHY reset asserted.</p> |

1. These bits are loaded from Flash.

8.2.2 Device Status Register - STATUS (0x0008; RO)

| Field | Bit(s) | Initial Value | Description |
|----------|--------|---------------|--|
| FD | 0 | X | <p>Full Duplex.</p> <p>0b = Half duplex (HD). 1b = Full duplex (FD).</p> <p>Reflects duplex setting of the MAC and/or link.</p> <p>FD reflects the actual MAC duplex configuration. This normally reflects the duplex setting for the entire link, as it normally reflects the duplex configuration negotiated between the PHY and link partner (copper link) or MAC and link partner (fiber link).</p> |
| LU | 1 | X | <p>Link up.</p> <p>0b = No link established. 1b = Link established.</p> <p>For this bit to be valid, the <i>Set Link Up</i> bit of the Device Control (<i>CTRL.SLU</i>) register must be set.</p> <p>Link up provides a useful indication of whether something is attached to the port. Successful negotiation of features/link parameters results in link activity. The link start-up process (and consequently the duration for this activity after reset) can be several 100's of ms. When the internal PHY is used, this reflects whether the PHY's LINK indication is present. When the SerDes, SGMII or 1000BASE-KX interface is used, this indicates loss-of-signal; if auto-negotiation is also enabled, this can also indicate successful auto-negotiation. Refer to Section 3.7.4 for more details.</p> <p>Note: This bit is valid only when working in internal PHY mode. In SerDes mode bit is always 0b.</p> |
| Reserved | 3:2 | X | <p>Reserved</p> <p>Write 0b, ignore on read.</p> |
| Reserved | 3:2 | X | <p>Reserved.</p> <p>Write 0, ignore on read.</p> |



| Field | Bit(s) | Initial Value | Description |
|--------------------------|--------|-----------------|--|
| TXOFF | 4 | X | Transmission Paused This bit indicates the state of the transmit function when symmetrical flow control has been enabled and negotiated with the link partner. This bit is set to 1b when transmission is paused due to the reception of an XOFF frame. It is cleared (0b) upon expiration of the pause timer or the receipt of an XON frame. |
| Reserved | 5 | X | Reserved. Write 0b, ignore on read. |
| SPEED | 7:6 | X | Link Speed Setting Reflects the speed setting of the MAC and/or link when it is operating in 10/100/1000BASE-T mode (internal PHY). When the MAC is operating in 10/100/1000BASE-T mode with the internal PHY, these bits normally reflect the speed of the actual link, negotiated by the PHY and link partner and reflected internally from the PHY to the MAC (<i>SPD_IND</i>). These bits also might represent the speed configuration of the MAC only, if the MAC speed setting has been forced via software (<i>CTRL.SPEED</i>) or if MAC auto-speed detection is used. If auto-speed detection is enabled, the I210's speed is configured only once after the LINK signal is asserted by the PHY. 00b = 10 Mb/s. 01b = 100 Mb/s. 10b = 1000 Mb/s. 11b = 1000 Mb/s. |
| ASDV | 9:8 | X | Auto-Speed Detection Value Speed result sensed by the I210's MAC auto-detection function. These bits are provided for diagnostics purposes only. The ASD calculation can be initiated by software writing a logic 1b to the <i>CTRL_EXT.ASDCHK</i> bit. The resultant speed detection is reflected in these bits. Refer to Section 8.2.3 for details. |
| PHYRA | 10 | 1b | PHY Reset Asserted This read/write bit is set by hardware following the assertion of an internal PHY reset; it is cleared by writing a 0b to it. This bit is also used by firmware indicating a required initialization of the I210's PHY. |
| Reserved | 18:11 | 0x0 | Reserved. Write 0b, ignore on read. |
| GIO Master Enable Status | 19 | 1b | Cleared by the I210 when the <i>CTRL.GIO Master Disable</i> bit is set and no master requests are pending by this function and is set otherwise. Indicates that no master requests are issued by this function as long as the <i>CTRL.GIO Master Disable</i> bit is set. |
| DEV_RST_SET (R/W1C) | 20 | 0b | Device Reset Set When set, indicates that a device reset (<i>CTRL.DEV_RST</i>) was initiated by one of the software drivers. Note: Bit cleared by writing as 1b. |
| PF_RST_DONE | 21 | 1b | PF_RST_DONE When set, indicates that software reset (<i>CTRL.RST</i>) or device reset (<i>CTRL.DEV_RST</i>) has completed and the software device driver can begin initialization process. |
| Reserved | 30:22 | 0x0 | Reserved. Write 0b, ignore on read. |
| MAC clock gating Enable | 31 | 0b ¹ | MAC Clock Gating Enable This bit is loaded from the Flash indicating that the device supports MAC clock gating. |

1. If the signature bits of the Flash's Initialization Control Word 1 match (01b), this bit is read from the Flash.

8.2.3 Extended Device Control Register - CTRL_EXT (0x0018; R/W)

This register provides extended control of the I210's functionality beyond that provided by the Device Control (CTRL) register.



| Field | Bit(s) | Initial Value | Description |
|----------------------|--------|------------------|---|
| Reserved | 0 | 0b | Reserved. Write 0b, ignore on read. |
| I2C over SDP Enabled | 1 | 0b ¹ | Enable I ² C over SDP0 and SDP2 pins. When set, SDP0 and SDP2 pins functions as an I ² C interface operated through the I2CCMD,I2CPARAMS register set. |
| SDP2_GPIEN | 2 | 0b | General Purpose Interrupt Detection Enable for SDP2. If software-controllable I/O pin SDP2 is configured as an input, this bit (when set to 1b) enables use for GPI interrupt detection. |
| SDP3_GPIEN | 3 | 0b | General Purpose Interrupt Detection Enable for SDP3. If software-controllable I/O pin SDP3 is configured as an input, this bit (when set to 1b) enables use for GPI interrupt detection. |
| Reserved | 5:4 | 00b | Reserved. Write 0b, ignore on read. |
| SDP2_DATA | 6 | 0b ¹ | SDP2 Data Value. Used to read (write) the value of software-controllable I/O pin SDP2. If SDP2 is configured as an output (SDP2_IODIR = 1b), this bit controls the value driven on the pin (initial value Flash-configurable). If SDP2 is configured as an input, reads return the current value of the pin. |
| SDP3_DATA | 7 | 0b ¹ | SDP3 Data Value. Used to read (write) the value of software-controllable I/O pin SDP3. If SDP3 is configured as an output (SDP3_IODIR = 1b), this bit controls the value driven on the pin (initial value Flash-configurable). If SDP3 is configured as an input, reads return the current value of the pin. |
| Reserved | 9:8 | 0x0 ¹ | Reserved. Write 0b, ignore on read. |
| SDP2_IODIR | 10 | 0b ¹ | SDP2 Pin Direction. Controls whether software-controllable pin SDP2 is configured as an input or output (0b = input, 1b = output). Initial value is Flash-configurable. This bit is not affected by software or system reset, only by initial power-on or direct software writes. |
| SDP3_IODIR | 11 | 0b ¹ | SDP3 Pin Direction. Controls whether software-controllable pin SDP3 is configured as an input or output (0b = input, 1b = output). Initial value is Flash-configurable. This bit is not affected by software or system reset, only by initial power-on or direct software writes. |
| ASDCHK | 12 | 0b | Auto-Speed-Detection (ASD) Check Initiates an ASD sequence to sense the frequency of the PHY receive clock (RX_CLK). The results are reflected in <i>STATUS.ASDV</i> . This bit is self-clearing. |
| EE_RST (SC) | 13 | 0b | EEPROM Block Reset When set, initiates a reset-like event to the EEPROM block function. This causes a Flash auto-load operation as if a software reset (<i>CTRL.RST</i>) had occurred. This bit is self-clearing. |
| Reserved | 14 | 0x0 | Reserved. Write 0b, ignore on read. |
| SPD_BYPS | 15 | 0b | Speed Select Bypass When set to 1b, all speed detection mechanisms are bypassed, and the I210 is immediately set to the speed indicated by <i>CTRL.SPEED</i> . This provides a method for software to have full control of the speed settings of the I210 and when the change takes place, by overriding the hardware clock switching circuitry. |
| NS_DIS | 16 | 0 | No Snoop Disable When set to 1b, the I210 does not set the no snoop attribute in any PCIe packet, independent of PCIe configuration and the setting of individual no snoop enable bits. When set to 0b, behavior of no snoop is determined by PCIe configuration and the setting of individual no snoop enable bits. |



| Field | Bit(s) | Initial Value | Description |
|--------------------------|--------|------------------|---|
| RO_DIS | 17 | 0b | Relaxed Ordering Disabled When set to 1b, the I210 does not request any relaxed ordering transactions on the PCIe interface regardless of the state of bit 4 in the PCIe Device Control register. When this bit is cleared and bit 4 of the PCIe Device Control register is set, the I210 requests relaxed ordering transactions as specified by registers RXCTL and TXCTL (per queue and per flow). |
| SerDes Low Power Enable | 18 | 0b ¹ | When set, enables the SerDes to enter a low power state when the function is in Dr state . |
| Dynamic MAC Clock Gating | 19 | 0b ¹ | When set, enables dynamic MAC clock gating. |
| PHY Power Down Enable | 20 | 1b ¹ | When set, enables the PHY to enter a low-power state as described in Section 5.4.2 . |
| Reserved | 21 | 0b | Reserved. Write 0b, ignore on read. |
| LINK_MODE | 23:22 | 0x0 ¹ | Link Mode Controls interface on the link. 00b = Direct copper (1000Base-T) interface (10/100/1000 BASE-T internal PHY mode). 01b = 1000BASE-KX. 10b = SGMII. 11b = SerDes interface. Note: 1. This bit is reset only on power-up or PCIe reset. |
| Reserved | 24 | 0b | Reserved. Write 0b, ignore on read. |
| I2C Enabled | 25 | 0b ¹ | Enable I ² C This bit enables the SFPx_I2C pins that can be used to access external SFP modules or an external 1000BASE-T PHY via the MDIO interface. If cleared, the SFPx_I2C pads are isolated and accesses to the SFPx_I2C pins through the I2CCMD register or the MDIC register are ignored. |
| EXT_VLAN | 26 | 0b ¹ | External VLAN Enable When set, all incoming Rx packets are expected to have at least one VLAN with the Ether type as defined in <i>VET.EXT_VET</i> that should be ignored. The packets can have a second internal VLAN that should be used for all filtering purposes. All Tx packets are expected to have at least one VLAN added to them by the host. In the case of an additional VLAN request (<i>VLE - VLAN Enable</i> is set in transmit descriptor) the second VLAN is added after the first external VLAN is added by the host. This bit is reset only by a power up reset or by a full Flash auto load and should only be changed while Tx and Rx processes are stopped. |
| Reserved | 27 | 0b | Reserved. Write 0b, ignore on read. |
| DRV_LOAD | 28 | 0b | Driver Loaded This bit should be set by the software device driver after it is loaded. This bit should be cleared when the software device driver unloads or after a PCIe reset. The Management controller reads this bit to indicate to the manageability controller (BMC) that the driver has loaded. Note: Bit is reset on power-up or PCIe reset only. |
| Reserved | 31:29 | 0b | Reserved Write 0b, Ignore on read. |

1. These bits are read from the Flash.

The I210 enables up to four externally controlled interrupts. All software-definable pins, these can be mapped for use as GPI interrupt bits. Mappings are enabled by the *SDPx_GPIEN* bits only when these signals are also configured as inputs via *SDPx_IODIR*. When configured to function as external interrupt pins, a GPI interrupt is generated when the corresponding pin is sampled in an active-high state.



The bit mappings are listed in Table 8-8 for clarity.

Table 8-8. Mappings for SDI Pins Used as GPI

| SDP Pin Used as GPI | CTRL_EXT Field Settings | | Resulting ICR Bit (GPI) |
|---------------------|-------------------------|-------------------------|-------------------------|
| | Direction | Enable as GPI Interrupt | |
| 3 | SDP3_IODIR | SDP3_GPIEN | 14 |
| 2 | SDP2_IODIR | SDP2_GPIEN | 13 |
| 1 | SDP1_IODIR | SDP1_GPIEN | 12 |
| 0 | SDP0_IODIR | SDP0_GPIEN | 11 |

Note: If software uses the EE_RST function and desires to retain current configuration information, the contents of the control registers should be read and stored by software. Control register values are changed by a read of the Flash, which occurs after asserting the EE_RST bit.

Note: The Flash reset function can read configuration information out of the Flash, which affects the configuration of PCIe space BAR settings. The changes to the BARs are not visible unless the system reboots and the BIOS is allowed to re-map them.

The *SPD_BYPASS* bit performs a similar function to the *CTRL.FRCSPD* bit in that the I210's speed settings are determined by the value software writes to the *CTRL.SPEED* bits. However, with the *SPD_BYPASS* bit asserted, the settings in *CTRL.SPEED* take effect immediately rather than waiting until after the I210's clock switching circuitry performs the change.

8.2.4 Media Dependent Interface (MDI) Control Register - MDIC (0x0020; R/W)

Software uses this register to read or write MDI registers in the internal PHY or an external SGMII PHY.

| Field | Bit(s) | Initial Value | Description |
|----------|--------|---------------|--|
| DATA | 15:0 | X | Data In a Write command, software places the data bits and the MAC shifts them out to the PHY. In a Read command, the MAC reads these bits serially from the PHY and software can read them from this location. |
| REGADD | 20:16 | 0x0 | PHY Register Address: Reg. 0, 1, 2,...31 |
| Reserved | 25:21 | 0x0 | Reserved. Write 0b, ignore on read. |
| OP | 27:26 | 0x0 | Opcode 01b = MDI write. 10b = MDI read. All other values are reserved. |
| R (RWM) | 28 | 1b | Ready Bit Set to 1b by the I210 at the end of the MDI transaction (for example, indication of a read or write completion). It should be reset to 0b by software at the same time the command is written. |



| Field | Bit(s) | Initial Value | Description |
|---------------|--------|---------------|--|
| MDI_IE | 29 | 0b | Interrupt Enable When set to 1b an Interrupt is generated at the end of an MDI cycle to indicate an end of a read or write operation to the PHY. |
| MDI_ERR (RWM) | 30 | 0b | Error This bit is set to 1b by hardware when it fails to complete an MDI read. Software should make sure this bit is clear (0b) before issuing an MDI read or write command. Note: This bit is valid only when the <i>Ready</i> bit is set. |
| Reserved | 31 | 0b | Reserved. Write 0b, ignore on read. |

8.2.5 MDC/MDIO Configuration Register ,Äì MDICNFG (0x0E04; R/W)

Note: This register is used to configure the MDIO connection that is accessed via the MDIC register. Refer to [Section 3.7.2.2.2](#) for details on usage of this register.

| Field | Bit(s) | Initial Value | Description |
|--------------------------|--------|---------------|--|
| Reserved | 20:0 | 0x0 | Reserved. Write 0b, ignore on read. |
| PHYADD ¹ | 25:21 | 0x00 | External PHY Address When the <i>MDICNFG.Destination</i> bit is 0b, default PHYADD accesses the internal PHY. |
| Reserved | 30:26 | 0x0 | Reserved. Write 0b, ignore on read. |
| Destination ² | 31 | 0b | Destination 0b = MDIO transactions using the MDIC register are directed to the internal PHY. 1b = MDIO transactions using the MDIC register are directed to an external PHY using the MDC/MDIO protocol. Note: When using the I2CCMD register to access an external PHY using the I ² C protocol, the <i>Destination</i> field must be set to 0b. |

- PHYADD is loaded from Initialization Control 4 Flash word to allocate the port address when using an external MDIO port.
- Destination is loaded from Flash Initialization Control 3 word. When an external PHY supports a MDIO interface, this bit is set to 1b; otherwise, this bit is set to 0b.



8.2.6 Copper/Fiber Switch Control - CONNSW (0x0034; R/W)

| Field | Bit(s) | Initial Value | Description |
|--------------|--------|-----------------|--|
| Reserved | 1:0 | 00b | Reserved |
| ENRGSRC | 2 | 0b ¹ | SerDes Energy Detect Source 0b = SerDes Energy detect source is internal. 1b = SerDes Energy detect source is from SRDS_[n]_SIG_DET pin. This bit defines the source of the signal detect indication used to set link up while in SerDes mode. <i>Note:</i> In SGMII and 1000BASE-KX modes energy detect source is internal and value of <i>CONNSW.ENRGSRC</i> bit should be 0b. |
| Reserved | 8:3 | 0x0 | Reserved. Write 0x0, ignore on read. |
| SerDesD (RO) | 9 | X | SerDes Signal Detect Indication Indicates the SerDes signal detect value according to the selected source (either external or internal). Valid only if LINK_MODE is SerDes, 1000BASE-KX or SGMII. |
| PHYSD (RO) | 10 | X | PHY Signal Detect Indication Valid only if LINK_MODE is the PHY and the receiver is not in electrical idle. |
| PHY_PDN (RO) | 11 | X | This bit indicates that the internal GbE PHY is in power down state. 0b = Internal GbE PHY not in power down. 1b = Internal GbE PHY in power down. |
| Reserved | 31:12 | 0x0 | Reserved. Write 0x0, ignore on read. |

1. The default value of the *ENRGSRC* bit in this register is defined in the Initialization Control 3 (Offset 0x24) Flash word (bit 15).

8.2.7 VLAN Ether Type - VET (0x0038; R/W)

This register is used by hardware to identify 802.1Q (VLAN) Ethernet packets by comparing the Ether Type field carried by packets with the field contents. To be compliant with the 802.3ac standard, the *VET.VET* field has a value of 0x8100.

| Field | Bit(s) | Initial Value | Description |
|----------|--------|---------------|---------------------------|
| VET (RO) | 15:0 | 0x8100 | VLAN EtherType |
| VET EXT | 31:16 | 0x8100 | External VLAN Ether Type. |

8.2.8 LED Control - LEDCTL (0x0E00; RW)

This register controls the setup of the LEDs. Refer to [Section 7.5.1](#) for details of the *Mode* fields encoding.



| Field | Bit(s) | Initial Value | Description |
|-------------------|--------|--------------------|--|
| LED0_MODE | 3:0 | 0110b ¹ | LED0/LINK# Mode This field specifies the control source for the LED0 output. An initial value of 0110b selects the LINK100# indication. |
| LED_PCI_MODE | 4 | 0b | 0b = Use LEDs as defined in the other fields of this register. 1b = Use LEDs to indicate PCI3 lanes idle status in SDP mode (only when the led_mode is set to 0x8 – SDP mode) LED0 indicates electrical idle status. |
| GLOBAL_BLINK_MODE | 5 | 0b ¹ | Global Blink Mode This field specifies the blink mode of all the LEDs. 0b = Blink at 200 ms on and 200 ms off. 1b = Blink at 83 ms on and 83 ms off. |
| LED0_IVRT | 6 | 0b ¹ | LED0/LINK# Invert This field specifies the polarity / inversion of the LED source prior to output or blink control. 0b = Do not invert LED source (LED active low). 1b = Invert LED source (LED active high). In mode 0100b (link/activity) this field must be 0. The LED signal must be active low in mode 0100b (link/activity). |
| LED0_BLINK | 7 | 0b ¹ | LED0/LINK# Blink This field specifies whether to apply blink logic to the (possibly inverted) LED control source prior to the LED output. 0b = Do not blink asserted LED output. 1b = Blink asserted LED output. |
| LED1_MODE | 11:8 | 0100b ¹ | LED1/LINK/ACTIVITY This field specifies the control source for the LED1 output. An initial value of 0100b selects the LINK/ACTIVITY indication. When asserted, means the LINK indication and when BLINK means LINK and ACTIVITY. |
| Reserved | 13:12 | 0b | Reserved Write as 0x0, ignore on read. |
| LED1_IVRT | 14 | 0b ¹ | LED1/ACTIVITY# Invert This field specifies the polarity / inversion of the LED source prior to output or blink control. 0b = Do not invert LED source (LED active low). 1b = Invert LED source (LED active high). In mode 0100b (link/activity) this field must be 0. The LED signal must be active low in mode 0100b (link/activity). |
| LED1_BLINK | 15 | 1b ¹ | LED1/ACTIVITY# Blink |
| LED2_MODE | 19:16 | 0111b ¹ | LED2/LINK1000# Mode This field specifies the control source for the LED2 output. An initial value of 0111b selects the LINK1000# indication. |
| Reserved | 21:20 | 0x0 | Reserved. Write 0b, ignore on read. |
| LED2_IVRT | 22 | 0b ¹ | LED2/LINK100# Invert This field specifies the polarity / inversion of the LED source prior to output or blink control. 0b = Do not invert LED source (LED active low). 1b = Invert LED source (LED active high). In mode 0100b (link/activity) this field must be 0. The LED signal must be active low in mode 0100b (link/activity). |
| LED2_BLINK | 23 | 0b ¹ | LED2/LINK100# Blink |



| Field | Bit(s) | Initial Value | Description |
|----------|--------|---------------|---|
| Reserved | 27:24 | 0000b | Reserved. |
| Reserved | 29:28 | 0x0 | Reserved. Write 0x0, ignore on read. |
| Reserved | 31:30 | 00b | Reserved. |

1. These bits are read from the Flash.

8.3 Internal Packet Buffer Size Registers

The following registers define the size of the on-chip receive and transmit buffers used to receive and transmit packets. Refer to [Section 4.6.9](#) for the general setting rule that applies on all these packet buffers.

The registers in this chapter reset only on power up.

8.3.1 RX Packet Buffer Size - RXPBSIZE (0x2404; R/W)

| Field | Bit(s) | Init. | Description |
|--------------|--------|-------|--|
| Rxpbsize | 5:0 | 0x22 | Rx packet buffer size in KB. |
| Bmc2ospbsize | 11:6 | 0x02 | BMC to OS packet buffer size in KB. |
| Reserved | 30:12 | 0x0 | Reserved. Write 0b, ignore on read. |
| cfg_ts_en | 31 | 0x0 | If set, a line is saved (16 bytes) per packet in the Rx packet buffer for the timestamp descriptor. If not set, no timestamp in packet support. |

8.3.2 TX Packet Buffer Size - TXPBSIZE (0x3404; R/W)

| Field | Bit(s) | Init. | Description |
|--------------|--------|-------|--|
| Txpb0size | 5:0 | 0x14 | Tx Packet Buffer 0 Size in KB. In Qav mode, it controls the size in KB of the TXPB0, which is associated to TxQ0. |
| Txpb1size | 11:6 | 0x0 | In Qav mode, it controls the size in KB of the TXPB1, which is associated to TxQ1. |
| Txpb2size | 17:12 | 0x0 | In Qav mode, it controls the size in KB of the TXPB2, which is associated to TxQ2. |
| Txpb3size | 23:18 | 0x0 | In Qav mode, it controls the size in KB of the TXPB3, which is associated to TxQ3. |
| os2Bmcpbsize | 29:24 | 0x4 | OS to BMC packet buffer size in KB. |
| Reserved | 31:30 | 0x0 | Reserved Write 0b, ignore on read. |

8.4 Flash Registers Descriptions

8.4.1 EEPROM-Mode Control Register - EEC (0x12010; RW)

This register provides software direct access to the Flash.



Bit banging access to the flash via the *FLA* register is not protected by this field.

| Field | Bit(s) | Init. | Description |
|---------------------|--------|-------|---|
| Reserved | 5:0 | 0x0 | Reserved. Reads as 0b. |
| FLASH_IN_USE (RO) | 6 | 0b | Valid when ee_pres = 1b. When this bit is set to 1b, it indicates that the Flash is present with a valid signature and the hardware was programmed from the Flash. The hardware will always first check the existence of the external Flash. 0b = Flash is not used. 1b = Flash is used. |
| Reserved | 7 | 0b | Reserved. Ignore on read. |
| EE_PRES (RO) | 8 | 1b | Valid when auto_rd=1. When this bit is set, it indicates that either a Flash is present and has the correct signature field or the iNVM is no-empty, and the shadow RAM contains the auto-load information from one of those sources (no need for software programming). |
| Auto_RD (RO) | 9 | 0b | Flash Auto-Read Done. When set to 1b, this bit indicates that the auto-read by hardware from the Flash is done. This bit is also set when the Flash is not found or when its signature field is not valid. This bit doesn't include MNG autoloading status. |
| Reserved | 10 | 0b | Reserved. |
| EE_Size (RO) | 14:11 | 0101b | Flash Size via EEPROM-Mode. This field defines the size of the NVM that is accessible via EEPROM-mode. This is equal to the size of the internal shadow RAM, fixed to 4 KB. It is encoded in power of 2 Kb units. |
| Reserved | 18:15 | 0b | Reserved. |
| FLASH_DETECTED (RO) | 19 | 0b | RO; Flash responded as not busy to a read status and returned a manufacturer ID. |
| Reserved | 22:20 | 0x0 | Reserved. Reads as 0x0. |
| FLUPD | 23 | 0b | Flash Update. Writing 1b to this bit causes the content of the internal 4 KB shadow RAM to be written into one of the first two 4 KB sectors of the Flash device (Sector 0 or Sector 1). The bit is self-cleared immediately. |
| Reserved | 24 | 0b | Reserved. Reads as 0b. |
| SEC1VAL (RO) | 25 | 0b | Sector 1 Valid. When set to 1b, indicates that the content of the 4 KB Sector 1 (from byte address 0x1000 to 0x1FFF) of the Flash device is valid. When set to 0b, indicates that the content of Sector 0 (from byte address 0x0000 to 0x0FFF) is valid. Meaningful only when EE_PRES bit and FLASH_IN-USE bit are read as 1b. |
| FLUDONE (RO) | 26 | 0b | Flash Update Done. When set to 1b, indicates that the Flash update process that was initiated by setting FLUPD bit has completed. |
| Reserved | 31:27 | 0x0 | Reserved. Reads as 0x0. |

8.4.2 EEPROM-Mode Load Control/Status Register - EELOADCTL (0x12020; RO to Host, RW to FW)

This register provides software EEPROM-mode load status.

All bits are RW to FW, RO to host - excepted to bit 12.

Bit banging access to the flash via the *FLA* register is not protected by this field.

| Field | Bit(s) | Init. | Description |
|---------------------|--------|-------|--|
| ee-pcie-done_e (RO) | 1 | 0 | Indicates status of the NVM auto load section read following PCIe reset. |
| Reserved | 2 | 1b | |
| Reserved | 7:5 | 0b | Reserved. |



| Field | Bit(s) | Init. | Description |
|----------|--------|-------|------------------------|
| Reserved | 31:28 | 0x0 | Reserved. Reads as 0b. |

This register provides software direct access to the EEPROM. Software can control the EEPROM by successive writes to this register. Data and address information is clocked into the EEPROM by software toggling the *EE_SK* and *EE_DI* bits (0 and 2) of this register with *EE_CS* set to 0b. Data output from the EEPROM is latched into the *EE_DO* bit (bit 3) via the internal 62.5 MHz clock and can be accessed by software via reads of this register.

Bit banging access to the flash via the *FLA* register is not protected by this field.

| Field | Bit(s) | Initial Value | Description |
|-------------------|--------|----------------|--|
| EE_SK | 0 | 0b | Clock input to the EEPROM When <i>EE_GNT</i> = 1b, the <i>EE_SK</i> output signal is mapped to this bit and provides the serial clock input to the EEPROM. Software clocks the EEPROM via toggling this bit with successive writes. |
| EE_CS | 1 | 1b | Chip select input to the EEPROM When <i>EE_GNT</i> = 1b, the <i>EE_CS</i> output signal is mapped to the chip select of the EEPROM device. Software enables the EEPROM by writing a 0b to this bit. |
| EE_DI | 2 | 1b | Data input to the EEPROM When <i>EE_GNT</i> = 1b, the <i>EE_DI</i> output signal is mapped directly to this bit. Software provides data input to the EEPROM via writes to this bit. |
| EE_DO (RO) | 3 | X ¹ | Data output bit from the EEPROM The <i>EE_DO</i> input signal is mapped directly to this bit in the register and contains the EEPROM data output. This bit is RO from a software perspective; writes to this bit have no effect. |
| FWE | 5:4 | 01b | Flash Write Enable Control These two bits, control whether writes to Flash memory are allowed. 00b = Flash erase (along with bit 31 in the <i>FLA</i> register). 01b = Flash writes disabled. 10b = Flash writes enabled. 11b = Reserved. |
| EE_REQ | 6 | 0b | Request EEPROM Access The software must write a 1b to this bit to get direct EEPROM access. It has access when <i>EE_GNT</i> is 1b. When the software completes the access it must write a 0b. |
| EE_GNT | 7 | 0b | Grant EEPROM Access When this bit is 1b the software can access the EEPROM using the SK, CS, DI, and DO bits. |
| EE_PRES (RO) | 8 | X | EEPROM Present and Signature is valid This bit indicates that an EEPROM is present and the value of the <i>Signature</i> field in the <i>EEPROM Sizing and Protected Fields</i> EEPROM word (Word 0x12) is 01b 0b = Signature field invalid 1b = EEPROM present and signature is valid. |
| Auto_RD (RO) | 9 | 0b | EEPROM Auto Read Done When set to 1b, this bit indicates that the auto read by hardware from the EEPROM is done. This bit is also set when the EEPROM is not present or when its signature is not valid. |
| EE_ADDR_SIZE (RO) | 10 | 1b | EEPROM Address Size This field defines the address size of the EEPROM. This bit is set by the EEPROM size auto-detect mechanism. If no EEPROM is present or the signature is not valid, a 16-bit address is assumed. 0b = 8- and 9-bit. 1b = 16-bit. |



| Field | Bit(s) | Initial Value | Description | | | | | | | | | |
|--------------------|--------------------|---------------------|---|-------------|-------------|---------------------|-------|-----------|---------|-------|-----------|---------|
| EE_SIZE (RO) | 14:11 ² | 0111b | <p>EEPROM Size This field defines the size of the EEPROM:</p> <table border="1"> <thead> <tr> <th>Field Value</th> <th>EEPROM Size</th> <th>EEPROM Address Size</th> </tr> </thead> <tbody> <tr> <td>0111b</td> <td>16 Kbytes</td> <td>2 bytes</td> </tr> <tr> <td>1000b</td> <td>32 Kbytes</td> <td>2 bytes</td> </tr> </tbody> </table> <p>Note:</p> | Field Value | EEPROM Size | EEPROM Address Size | 0111b | 16 Kbytes | 2 bytes | 1000b | 32 Kbytes | 2 bytes |
| Field Value | EEPROM Size | EEPROM Address Size | | | | | | | | | | |
| 0111b | 16 Kbytes | 2 bytes | | | | | | | | | | |
| 1000b | 32 Kbytes | 2 bytes | | | | | | | | | | |
| EE_BLOCKED (RO) | 15 | 0b | <p>EEPROM access blocked EEPROM Bit Banging access blocked - Bit is set by HW when detecting an EEPROM access violation during bit banging access using the <i>EEC</i> register or detecting an EEPROM access violation when accessing the EPROM using the <i>EERD</i> register. When bit is set further Bit Banging operations from the function are disabled until bit is cleared.</p> <p>Type of violations that can cause the bit to be set are write to read-only sections, access to a hidden area or any other EEPROM protection violation detected.</p> <p>Note: Bit is cleared by write one to the <i>EEC.EE_CLR_ERR</i> bit.</p> | | | | | | | | | |
| EE_ABORT (RO) | 16 | 0b | <p>EEPROM access Aborted Bit is set by HW when EEPROM access was aborted due to deadlock avoidance, management reset or EEPROM reset via <i>CTRL_EXT.EE_RST</i>. When bit is set further Bit Banging operations from the Function are disabled until bit is cleared.</p> <p>Note: Bit is cleared by write one to the <i>EEC.EE_CLR_ERR</i> bit.</p> | | | | | | | | | |
| EE_RD_TIMEOUT (RO) | 17 | 0b | <p>EERD access timeout When bit is set to 1b indicates the EEPROM access via <i>EERD</i> register timed out while trying to read EEPROM status (Can occur when no EEPROM exists).</p> <p>Note: Bit is cleared by write one to the <i>EEC.EE_CLR_ERR</i> bit.</p> | | | | | | | | | |
| EE_CLR_ERR (SC) | 18 | 0b | <p>Clear EEPROM Access Error A write 1b to the <i>EE_CLR_ERR</i> bit clears the <i>EEC.EE_ABORT</i> bit, <i>EE_BLOCKED</i> bit and <i>EE_RD_TIMEOUT</i> bit.</p> <p>Note: Clearing the <i>EEC.EE_ABORT</i> bit and <i>EE_BLOCKED</i> bit enables further Bit Banging access to the EEPROM from the function.</p> | | | | | | | | | |
| EE_DET (RO) | 19 | X | <p>EEPROM Detected Note: Bit is set to 1b when EEPROM responded correctly to a get status opcode following power-up.</p> | | | | | | | | | |
| Reserved | 31:20 | 0x0 | <p>Reserved Write 0 ignore on read.</p> | | | | | | | | | |

1. Value depends on voltage level on *EE_DO* pin following initialization
2. These bits are read from the Flash.

8.4.3 EEPROM-Mode Read Register - EERD (0x12014; RW)

This register is used by software to read individual words from the internal shadow RAM that reflects the first valid 4 KB sector of the Flash. To read a word, software writes the address to the *Read Address* field. Writing the register sets the Done bit to 0b. The I210 then reads the word from the internal shadow RAM and places it in the *Read Data* field, setting the *Read Done* field to 1b. Software can poll this register, looking for a 1b in the *Read Done* field and then using the value in the *Read Data* field.

This register is used by software to cause the I210 to read individual words in the EEPROM. To read a word, software writes the address to the *Read Address* field and simultaneously writes a 1b to the *Start Read* field. The I211 reads the word from the EEPROM and places it in the *Read Data* field, setting the *Read Done* field to 1b. Software can poll this register, looking for a 1b in the *Read Done* field, and then using the value in the *Read Data* field.



When this register is used to read a word from the EEPROM, that word does not influence any of the I210's internal registers even if it is normally part of the auto-read sequence.

Note: Register reset on LAN_PWR_GOOD only.

| Field | Bit(s) | Init. | Description |
|-----------------|--------|-------|--|
| CMDV (RO) | 0 | 0b | Command Valid Bit. This bit is cleared by hardware in case the read request was rejected. |
| DONE (RO field) | 1 | 1b | Read Done. Set this bit to 1b when the EEPROM-mode read completes. Set this bit to 0b when the EEPROM-mode read is in progress. Note that writes by software are ignored. |
| ADDR | 12:2 | 0x0 | Read Address. This field is written by software to indicate the address of the word to read. |
| Reserved | 15:13 | 0x0 | Reserved. Reads as 0x0. |
| DATA (RO field) | 31:16 | 0x0 | Read Data. Data returned from the EEPROM-Mode read. |

| Field | Bit(s) | Initial Value | Description |
|-----------|--------|---------------|--|
| START | 0 | 0b | Start Read Writing a 1b to this bit causes the EEPROM to read a (16-bit) word at the address stored in the EE_ADDR field and then storing the result in the EE_DATA field. This bit is self-clearing. |
| DONE (RO) | 1 | 0b | Read Done Set to 1b when the EEPROM read completes. Set to 0b when the EEPROM read is not completed. Writes by software are ignored. Reset by setting the START bit. |
| ADDR | 15:2 | 0x0 | Read Address This field is written by software along with <i>Start Read</i> to indicate the word to read. |
| DATA (RO) | 31:16 | X | Read Data. Data returned from the EEPROM read. |

8.4.4 EEPROM Load Error Register - EELOADERR (0x12028; RO)

This register indicates detection of errors in Hardware EEPROM load operation that are not CRC errors. Type of errors detected are:

- Reception of NACK when EEPROM attempts to write to a register.
- EEPROM read address exceeds EEPROM size.
- Length of section less than 2 in the *PCIe PHY Auto Configuration structure* and smaller than 3 in other CSR configuration structures.
- Length of section not an integer multiple of 2 in the *PCIe PHY Auto Configuration structure* and not an integer multiple of 3 in other CSR configuration structures.

Note: Register bits reset after LAN_PWR_GOOD or read without errors of appropriate EEPROM section.



8.4.5 EEPROM Load Control Register - EELOADCTL (0x12020; RW)

This register is used by software to control I211 auto-read operation and to execute EEPROM auto-read sequences mimicking occurrence of various resets.

Note: Register reset by LAN_PWR_GOOD only.

8.4.6 EEPROM-Mode Write Register – EEWR (0x12018; RW)

This register is used by software to write individual words in the internal shadow RAM that is about to reflect the first valid 4 KB sector of the Flash. To write a word, software writes the address to the *Write Address* field and the data to the *Write Data* field. The I210 writes the word into the internal shadow RAM, setting the *Write Done* field to 1b. Software can poll this register, looking for a 1b in the *Write Done* field before the next write. The data is effectively copied into the Flash device by use of the EEC.FLUPD command.

When this register is used to write a word into the Flash, that word is not written to any of the I210's internal registers even if it is normally a hardware-accessed word.

| Field | Bit(s) | Init. | Description |
|-----------------|--------|-------|---|
| CMDV (RO) | 0 | 0b | Command Valid. This bit is cleared by hardware in case the write request was rejected. |
| DONE (RO field) | 1 | 1b | Write Done. Set this bit to 1b when the EEPROM-mode write completes. Set this bit to 0b when the EEPROM-mode write is in progress. Note that writes by software are ignored. |
| ADDR | 12:2 | 0x0 | Write Address. This field is written by software to indicate the address of the word to write. |
| Reserved | 15:13 | 0x0 | Reserved. Reads as 0x0. |
| DATA | 31:16 | 0x0 | Write Data. Data to be written into the shadow RAM. |

8.4.7 Flash Access - FLA (0x1201C; RW)

This register provides software direct access to the Flash. Software can control the Flash by successive writes to this register. Data and address information is clocked into the Flash by software toggling the FL_SCK in this register. Data output from the Flash is latched into bit 3 of this register via the internal 125 MHz clock and can be accessed by software via reads of this register.

| Field | Bit(s) | Init. | Description |
|--------|--------|-----------------|--|
| FL_SCK | 0 | 0b ² | Clock Input to Flash. When FL_GNT is set to 1b, the FL_SCK output signal is mapped to this bit and provides the serial clock input to the Flash. Software clocks the Flash via toggling this bit with successive writes. This bit is not operational by the host when in the Flash Secure mode. |
| FL_CS | 1 | 1b ² | Chip Select Input to Flash. When FL_GNT is set to 1b, the FL_CS output signal is mapped to the chip select of the Flash device. Software enables the Flash by writing a 0b to this bit. This bit is not operational by the host when in the Flash Secure mode. |
| FL_SI | 2 | 0b ² | Data Input to Flash. When FL_GNT is set to 1b, the FL_SI output signal is mapped directly to this bit. Software provides data input to the Flash via writes to this bit. This bit is not operational by the host when in the Flash Secure mode. |



| Field | Bit(s) | Init. | Description |
|------------------|--------|-------------------|--|
| FL_SO (RO) | 3 | 0b | Data Output Bit From Flash. The FL_SO input signal is mapped directly to this bit in the register and contains the Flash serial data output. This bit is read-only from a software perspective. Note that writes to this bit have no effect. RO bit. |
| FL_REQ | 4 | 0b ² | Request Flash Access. Software must write a 1b to this bit to get direct Flash access. It has access when FL_GNT is set to 1b. When software completes the access, it must then write a 0b. This bit is not operational by the host when in the Flash Secure mode. |
| FL_GNT (RO) | 5 | 0b | Grant Flash Access. When this bit is set to 1b, software can access the Flash using the FL_SCK, FL_CE, FL_SI, and FL_SO bits. |
| LOCKED (RO) | 6 | 0b | A bit indicating (when set to 1b) that the Flash is in Secure mode. When set to 0b, the Flash is in Non-secure mode. |
| FLA_ABORT (RO) | 7 | 0b ² | Bit is set by hardware when Flash access was aborted due to the deadlock avoidance. When this bit is set, further Flash bit banging access from this function is blocked. Note: This bit is cleared by a write of 1b to the FLA.FLA_CLR_ERR bit. |
| FLA_CLR_ERR (SC) | 8 | 0b | Clear Flash Access Error. A write of 1b to this bit clears the FLA.FLA_ABORT bit and enables further bit banging access to the Flash. |
| Reserved | 15:9 | 0b | Reserved. Reads as 0b. |
| EIP (RO) | 16 | 0b | Sector Erase In Progress. Indicates that the Flash is in a sector erase cycle. RO bit. |
| FL_SIZE (RO) | 19:17 | 000b ¹ | Flash Size. Indicates the size of the Flash device according to the following equation: Size = 64 KB * 2 ** "FL_SIZE". The Flash size limits the range host memory mapped flash accesses and of Expansion ROM BAR mapped accesses to the Expansion ROM module beginning up to the Flash device's end. Supported Flash sizes: 000b = 0 - no valid Flash contents or no Flash device. 101b = 2 MB. 110b = 4 MB. 111b = 8 MB. This field is written by hardware from Flash words 0x11 after LAN_POWER_GOOD. |
| Reserved | 28:20 | 0x0 | Reserved. |
| FLASH_BUSY (RO) | 29 | 0b | This bit indicates that the Flash is busy processing a Flash transaction and should not be accessed. |
| FL_BAR_BUSY (RO) | 30 | 0b | BAR write can be done only while this bit is set to 0b. |
| Reserved | 31 | 0b | Reserved. |

¹ These bits are read from the Flash.
² These bits also reset when PCIe resets.

This register provides software direct access to the Flash. Software can control the Flash by successive writes to this register. Data and address information is clocked into the Flash by software toggling the *FL_SCK* bit (bit 0) of this register with *FL_CE* set to 0b. Data output from the Flash is latched into the *FL_SO* bit (bit 3) of this register via the internal 125 MHz clock and can be accessed by software via reads of this register.



| Field | Bit(s) | Initial Value | Description |
|------------------|--------|---------------|--|
| FL_SCK | 0 | 0b | Clock Input to the Flash When <i>FL_GNT</i> is 1b, the <i>FL_SCK</i> out signal is mapped to this bit and provides the serial clock input to the Flash device. Software clocks the Flash memory via toggling this bit with successive writes. |
| FL_CE | 1 | 1b | Chip Select Input to the Flash When <i>FL_GNT</i> is 1b, the <i>FL_CE</i> output signal is mapped to the chip select of the Flash device. Software enables the Flash by writing a 0b to this bit. |
| FL_SI | 2 | 1b | Data Input to the Flash When <i>FL_GNT</i> is 1b, the <i>FL_SI</i> output signal is mapped directly to this bit. Software provides data input to the Flash via writes to this bit. |
| FL_SO | 3 | X | Data Output Bit from the Flash The <i>FL_SO</i> input signal is mapped directly to this bit in the register and contains the Flash memory serial data output. This bit is read only from the software perspective - writes to this bit have no effect. |
| FL_REQ | 4 | 0b | Request Flash Access The software must write a 1b to this bit to get direct Flash memory access. It has access when <i>FL_GNT</i> is 1b. When the software completes the access it must write a 0b. |
| FL_GNT | 5 | 0b | Grant Flash Access When this bit is 1b, the software can access the Flash memory using the <i>FL_SCK</i> , <i>FL_CE</i> , <i>FL_SI</i> , and <i>FL_SO</i> bits. |
| FLA_add_size | 6 | 0b | Flash Address Size 0b = Flash devices are accessed using 2 bytes of address. 1b = Flash devices (including 64 KB) are accessed using 3 bytes of the address. Notes: 1. If this bit is set by one of the functions, it is also reflected in all other functions. 2. If value of <i>BARCTRL.FLSize</i> field is greater than 0x0, bit is read as 1b. |
| FLA_ABORT (RO) | 7 | 0b | Flash Access Aborted Bit is set by HW when Flash access was aborted due to deadlock avoidance. When bit is set further Flash Bit Banging access from the function are blocked. Note: Bit is cleared by write 1b to the <i>FLA.FLA_CLR_ERR</i> bit. |
| FLA_CLR_ERR (SC) | 8 | 0b | Clear Flash Access Error A write 1b to the <i>FLA_CLR_ER</i> bit clears the <i>FLA.FLA_ABORT</i> bit and enables further Bit Banging access to the Flash from the function. |
| Reserved | 28:9 | 0x0 | Reserved Write 0 ignore on read. |
| FL_BAR_WR (RO) | 29 | 0b | Flash Write via BAR in Progress This bit is set to 1b while a write to the Flash memory is in progress or is pending as a result of a direct Memory access (not bit banging access). When this bit is clear (read as 0b) software can initiate a byte write operation to the Flash device. |
| FL_BUSY (RO) | 30 | 0b | Flash Busy When set to 1b indicates that a Flash memory access is in progress. |
| FL_ER (SC) | 31 | 0b | Flash Erase Command When bit is set to 1b an erase command is sent to the Flash component only if the <i>EEC.FWE</i> field is 00b (Flash Erase). This bit is automatically cleared when flash erase has completed. |

8.4.8 Flash Opcode - FLASHOP (0x12054; R/W)

This register enables the host or the firmware to define the op-code used in order to erase a sector of the flash or the complete flash. This register is reset only at power on or LAN_PWR_GOOD assertion.

This register is common to all ports and manageability. Register should be programmed according to the parameters of the flash used.



Note: The default values fit to Atmel* Serial Flash Memory devices.

Notes:

1. Register reset on LAN_PWR_GOOD only.
2. Register shared by all functions.

| Field | Bit(s) | Initial Value | Description |
|----------|--------|---------------|---|
| DERASE | 7:0 | 0x0062 | Flash Device Erase Instruction The op-code for the Flash erase instruction. |
| SERASE | 15:8 | 0x0052 | Flash Block Erase Instruction The op-code for the Flash block erase instruction. Relevant only to Flash access by manageability. |
| Reserved | 31:16 | 0x0 | Reserved Write 0 ignore on read. |

8.4.9 EEPROM Diagnostic - EEDIAG (0x1038; RO)

This register reflects the values of EEPROM bits influencing the hardware that are not reflected otherwise.

Note: Register shared by all functions.

8.4.10 EEPROM Auto Read Bus Control - EEARBC (0x12024; R/W)

In EEPROM-less implementations, this register is used to program the I210 the same way it should be programmed if an EEPROM was present.

This register is common to all functions and should be accessed only following access coordination with the other ports.

Notes:

1. Register reset on LAN_PWR_GOOD only.
2. Register shared by all functions.

| Field | Bit(s) | Initial Value | Description |
|--------------|--------|---------------|--|
| VALID_CORE0 | 0 | 0b | Valid Write Active to Core 0 Write strobe to Core 0. Firmware/software sets this bit for write access to registers loaded from EEPROM words in LAN0 section. Software should clear this bit to terminate the write transaction. |
| VALID_CORE1 | 1 | 0b | Valid Write Active to Core 1 Write strobe to Core 1. Firmware/software sets this bit for write access to registers loaded from EEPROM words in LAN1 section. Software should clear this bit to terminate the write transaction. |
| VALID_COMMON | 2 | 0b | Valid Write Active to Common Write strobe to Common. Firmware/software sets this bit for write access to registers loaded from EEPROM words that are common to all sections. Software should clear this bit to terminate the write transaction. |
| VALID_PCIE | 3 | 0b | Valid Write Active to PCIe PHY Write strobe to PCI PHY. Firmware/software sets this bit for write access to registers loaded from EEPROM words pointed by word 0x10 that are directed to the PCIe phy. Software should clear this bit to terminate the write transaction. |



| Field | Bit(s) | Initial Value | Description |
|-------------|--------|---------------|---|
| ADDR | 12:4 | 0x0 | Write Address This field specifies the address offset of the EEPROM word from the start of the EEPROM Section. Sections supported are: <ul style="list-style-type: none"> • Common and LAN0 • LAN1 • LAN2 • LAN3 |
| VALID_CORE2 | 13 | 0b | Valid Write Active to Core 2 Write strobe to Core 2. Firmware/software sets this bit for write access to registers loaded from EEPROM words in LAN2 section. Software should clear this bit to terminate the write transaction. |
| VALID_CORE3 | 14 | 0b | Valid Write Active to Core 3 Write strobe to Core 3. Firmware/software sets this bit for write access to registers loaded from EEPROM words in LAN3 section. Software should clear this bit to terminate the write transaction. |
| Reserved | 15 | 0b | Reserved Write 0, ignore on read. |
| DATA | 31:16 | 0x0 | Data written into the EEPROM auto read bus. |

1. Not all EEPROM addresses are part of the auto read. By using this register software can write to the hardware registers that are configured during auto read only.
2. Host access via *EEARBC* can be done only when no EEPROM presence is detected. Management can access the internal registers via *EEARBC* also when EEPROM presence is detected and EEPROM load is done.

8.4.11 VPD Diagnostic Register - VPDDIAG (0x1060; RO)

This register stores the VPD parameters as parsed by the auto-load process. This register is used for debug only.

8.4.12 Management-EEPROM CSR I/F

The following registers are reserved for Firmware access to the EEPROM and are not writable by the host.

8.4.12.1 Management EEPROM Control Register - EEMNGCTL (0x12030; RW)

| Field | Bit(s) | Initial Value | Description |
|--------|--------|---------------|---|
| ADDR | 14:0 | 0x0 | Address - This field is written by MNG along with Start Read or Start write to indicate the EEPROM word address to read or write. |
| START | 15 | 0b | Start - Writing a 1b to this bit causes the EEPROM to start the read or write operation according to the write bit. Note: Bit is not cleared by Firmware reset. |
| WRITE | 16 | 0b | Write - This bit tells the EEPROM if the current operation is read or write: 0b = read 1b = write |
| EEBUSY | 17 | 0b | EEPROM Busy - This bit indicates that the Flash is busy processing an Flash transaction and Flash access will be delayed. |



| Field | Bit(s) | Initial Value | Description |
|-------------------------|--------|---------------|---|
| CFG_DONE 0 ¹ | 18 | 0b | Configuration cycle is done for port 0 – This bit indicates that configuration cycle (configuration of SerDes, PHY, PCIe and PLLs) is done for port 0. This bit is set to 1b to indicate configuration done, and cleared by hardware on any of the reset sources that causes initialization of the PHY. Note: Port 0 driver should not try to access the PHY for configuration before this bit is set. |
| CFG_DONE 1 ¹ | 19 | 0b | Configuration cycle is done for port 1 – This bit indicates that configuration cycle (configuration of SerDes, , PCIe and PLLs) is done for port 1. This bit is set to 1b to indicate configuration done, and cleared by hardware on any of the reset sources that cause initialization of the PHY. Note: Port 1 driver should not try to access the PHY for configuration before this bit is set. |
| CFG_DONE 2 ¹ | 20 | 0b | Configuration cycle is done for port 2 – This bit indicates that the configuration cycle (configuration of SerDes, PCIe and PLLs) is done for port 2. This bit is set to 1b to indicate configuration done, and cleared by hardware on any of the reset sources that cause initialization of the PHY. Note: Port 2 driver should not try to access the PHY for configuration before this bit is set. |
| CFG_DONE 3 ¹ | 21 | 0b | Configuration cycle is done for port 3 – This bit indicates that the configuration cycle (configuration of SerDes, PCIe and PLLs) is done for port 3. This bit is set to 1b to indicate configuration done, and cleared by hardware on any of the reset sources that cause initialization of the PHY. Note: Port 3 driver should not try to access the PHY for configuration before this bit is set. |
| Reserved | 28:22 | 0x0 | Reserved Write 0, ignore on read. |
| EEMNGCTL_CLR_ERR (SC) | 29 | 0b | Clear Timeout Error A write 1b to the <i>EEMNGCTL.EEMNGCTL_CLR_ERR</i> bit clears the error reported in the <i>EEMNGCTL.TIMEOUT</i> bit. |
| TIMEOUT | 30 | 0b | When bit is set to 1b indicates that a transaction timed out while trying to read the Flash status (Occurs when no Flash exists). Notes: 1. To clear the bit Firmware should write 1b to the <i>EEMNGCTL.EEMNGCTL_CLR_ERR</i> bit. 2. Bit is not cleared by Firmware reset. |
| DONE | 31 | 1b | Transaction Done - This bit is cleared after Start Write or Start Read bit is set by the MNG and is set back again when the Flash write or read transaction is done. Note: Bit is not cleared by Firmware reset. |

1. Bit relates to physical port. If LAN Function Swap (*FACTPS.LAN Function Sel = 1*) is done, Software should poll *CFG_DONE* bit of original port to detect end of PHY configuration operation.

8.4.12.2 Management EEPROM Read/Write data - EEMNGDATA (0x12034; RW)

| Field | Bit(s) | Initial Value | Description |
|-------------|--------|---------------|---|
| WRDATA | 15:0 | 0x0 | Write Data Data to be written to the Flash. |
| RDDATA (RO) | 31:16 | ,Äi | Read Data Data returned from the Flash read. |

8.4.13 Management-Flash CSR I/F

The following registers are reserved for firmware access to the serial flash and are not writable by the host.



8.4.13.1 Management Flash Control Register - FLMNGCTL (0x12038; RW)

8.4.13.2 Management Flash Read Data - FLMNGDATA (0x1203C; RW)

8.4.13.3 Management Flash Read Counter - FLMNGCNT (0x12040; RW)

8.4.14 Flash Security - FL_SECU (0x12114; RO to host, RW to FW)

8.4.15 VPD Diagnostic Register - VPDDIAG (0x5B3C; RO to Host, RW to FW)

8.4.16 Shadow RAM Information Register - SHADOWINF (0x012068; RO)

8.4.17 Manageability EEPROM-Mode Control Register – EEMNGCTL (0x12030; RO to Host, RW to FW)

Note: The transactions performed through this register are directed to/from the internal shadow RAM. The write data is effectively copied into the Flash device by use of the EEC.FLUPD command.

| Field | Bit(s) | Init. | Description |
|---------------|--------|-------|---|
| Reserved | 17:0 | 0x0 | Reserved. |
| CFG_DONE (RO) | 18 | 0b | Manageability Configuration Cycle of the Port Completed. This bit indicates that the manageability configuration cycle (configuration of PHY) completed. It is cleared by hardware on PHY reset events, and it is set to 1b by firmware to indicate PHY configuration completed. Note: Software should not try to access the PHY for configuration before this bit is set. |
| Reserved | 31:19 | 0x0 | Reserved. |

8.4.18 Manageability EEPROM-Mode Read/Write Data – EEMNGDATA (0x12034; RO to host, RW to FW)

8.4.19 Manageability Flash Control Register – FLMNGCTL (0x12038; RO to host, RW to FW)

See register Software FLASH Burst Control Register - FLSWCTL in [Section 8.4.36](#).



8.4.20 Manageability Flash Read/Write Data – FLMNGDATA (0x1203C; RO to host, RW to FW)

See register Software FLASH Burst Data Register - FLSWDATA in Section 8.4.37.

8.4.21 Manageability Flash Burst Access Counter – FLMNGCNT (0x12040; RO to host, RW to FW)

See register Software FLASH Burst Access Counter - FLSWCNT in Section 8.4.38.

8.4.22 FLASH Arbitration Control and Debug – ARDBG (0x12044; RW)

This register enables FLASH arbitration control if following a read or write operation the flash chip selected remains low. It provides separate controls for each client of the FLASH.

This register also enables viewing which client currently is granted access to the flash.

8.4.23 EEPROM-Mode Auto Read Bus Control - EEARBC (0x12024; RO in Secured Mode)

Note: In iNVM implementations, this register is used to program the I210 the same way it should be programmed if an NVM was present. This register is reset on LAN_PWR_GOOD only.

| Field | Bit(s) | Initial Value | Description |
|----------|--------|---------------|---|
| VALID | 0 | 0b | Valid. Indicates that the last auto-load bus write request is valid. |
| DONE | 1 | 1b | Done. Last auto-load bus write request completed. The register can be written again with a new auto-load write request. |
| Reserved | 3:2 | 0x0 | Reserved. Write 0x0, ignore on read. |
| ADDR | 12:4 | 0x00 | Write Address. This field specifies the address offset of the Flash word from the start of the shadow RAM section ¹ . |
| Reserved | 15:13 | 0x0 | Reserved. Write 0x0, ignore on read. |
| DATA | 31:16 | 0x0000 | Data written into the Flash auto read bus. |

1. Not all shadow RAM addresses are part of the auto read (auto-load). By using this register software can write to the hardware registers that are configured during auto load only.

8.4.24 Flash Mode Register – FLASHMODE (0x12000; RO in Secured Mode)

This register controls the interface for the Flash device. This register is reset only at power on or during LAN_PWR_GOOD assertion. It is loaded by firmware from its own module.

| Field | Bit(s) | Init. | Description |
|----------------|--------|-------|--|
| FAST_READ_MODE | 0 | 0b | When set to 1b, the op-code for a Read command is taken from FLASHOP.FASTREAD and the number of dummy bytes are asserted as indicated in the NUM_OF_DUMMY field. |



| Field | Bit(s) | Init. | Description |
|--------------|--------|-------|---|
| NUM_OF_DUMMY | 2:1 | 01b | Indicates the number of dummy bytes that should be provided to the Flash after providing the address. |
| FLASH_SPEED | 4:3 | 0b | Indicates the frequency of the clock provided to the Flash. 00b = Clock is 15.125 MHz 01b = Clock is 31.25 MHz. 10b = Clock is 62.5 MHz. 11b = Reserved. |
| Reserved | 5 | 0 | Reserved |
| SST_MODE | 6 | 1b | When set to 1b, indicates that the current Flash device operates in a 1-byte program for each Flash access. This mode is the default operating mode as it is supported by all Flash devices. However, each time the Flash device supports burst writes, clearing this bit improves Flash write performance. |
| Reserved | 31:7 | 0x0 | Reserved. |

8.4.25 Flash Op-code Register – FLASHOP (0x12054; RO in Secured Mode)

This register holds the Flash op-codes. This register is reset only at power on or during LAN_PWR_GOOD assertion. It is loaded by firmware from its own module.

| Field | Bit(s) | Init. | Description |
|--------------|--------|-------|--|
| FLASHERASEOP | 7:0 | 0xC7 | Holds the op-code for erasing the entire Flash device. |
| SUSPENDOP | 15:8 | 0x75 | Holds the op-code for suspending the program/erase operation in the Flash. |
| RESUMEOP | 23:16 | 0x7A | Holds the op-code for resuming the program/erase operation that was suspended. |
| FASTREADOP | 31:24 | 0x0B | Holds the op-code that is issued in a Read command when Fast Read Mode Is set. |

8.4.26 FLASH General Purpose OP-Code Register – FLASHGOP (0x12058; RO in secured mode)

This register holds the Flash Read/write general purpose op-codes. This register is reset only at power on or during LAN_PWR_GOOD assertion. It is loaded by firmware from its own module.

8.4.27 Flash Timing Register – FLASHTIME (0x12004; RO in Secured Mode)

This register holds the timing parameters for Flash access. This register is reset only at power on or during LAN_PWR_GOOD assertion. It is loaded by firmware from its own module.

| Field | Bit(s) | Init. | Description |
|------------|--------|--------|---|
| CSDESELECT | 3:0 | 0xB | Indicates the time in cycles of 8 ns that CS should be de-asserted between two commands. Note that an offset of 16 ns is added to the programmed value. The default is 104 ns. |
| Reserved | 15:04 | 0x0 | Reserved. |
| HOLDTIME | 31:16 | 0x00FF | The I210 maintains a hold timer that counts the time that CS is asserted and no command is issued. When the timer expires, the CS is de-asserted and the next command starts a new transaction to Flash. The time is measured in cycles of 16 ns. The default is 4 μ s. |



8.4.28 FLASH Read Status Register – FLASHRDST (0x12008; RW)

This register holds the last read status from Flash. This register is reset only at power on or during LAN_PWR_GOOD assertion.

8.4.29 Flash Block Base Address – FLBLKBASE (0x12100; RO)

| Field | Bit(s) | Init. | Description |
|---------------|--------|-------|--|
| Start Address | 11:0 | 0x000 | The base address expressed in a 4 KB sector index of the Flash section, which is protected from software writes. Aligned to 4 KB boundaries. Loaded from the secured section in Flash (word 0x10). |
| Reserved | 30:12 | | Reserved. |

8.4.30 Flash Block End Address – FLBLKEND (0x12104; RO)

| Field | Bit(s) | Init. | Description |
|-------------|--------|-------|--|
| End Address | 11:0 | 0x000 | The last 4 KB sector index included in the Flash section, which is protected from software writes. It is derived by firmware from Max Module Area field extracted from the new firmware image header (refer to Table 6-14). A null value in this field means no blocked area. |
| Reserved | 31:12 | | Reserved |

8.4.31 Flash Firmware Code Update – FLFWUPDATE (0x12108; RW)

| Field | Bit(s) | Init. | Description |
|------------------|--------|-------|--|
| Reserved | 28:0 | | Reserved. |
| AUTHEN-DONE (RO) | 29 | 0x0 | Authentication Cycle Done. Set to 1b when done. This bit is self-cleared once the update request is set to 1b. |
| AUT_FAIL (RO) | 30 | 0x0 | Authentication failed. Set to 1b when failed. |
| Update | 31 | 0b | Request authentication of the new secure section written. If the authentication succeeds, firmware resets itself to load its new code. This bit is self-cleared, always read as 0b. |

8.4.32 Shadow RAM Debug – SHADOWDBG (0x1206C; RW)

8.4.33 EEPROM-Mode Diagnostic - EEDIAG (0x12060; RO)

This register reflects the values of NVM bits influencing the hardware that are not reflected otherwise.



8.4.34 EEPROM Block Base Address – EEBLKBASE(0x1210C; RO)

| Field | Bit(s) | Init. | Description |
|-------------------|--------|-------|---|
| 1st Start Address | 10:0 | 0x000 | The base address expressed in words of the first hardware section (EEPROM map), which is protected from software writes. Loaded from the secured section in the Flash (word 0x2D). |
| Reserved | 11 | | Reserved. |
| 2nd Start Address | 22:12 | 0x000 | The base address expressed in words of the second hardware section (EEPROM map), which is protected from software writes. Loaded from the secured section in Flash (word 0x12). This read-only section ends at the shadow RAM ends. For legacy reasons, it is cleared to 0x000 when there is no second hardware protected section in the shadow RAM. |
| Reserved | 31:23 | | Reserved. |

8.4.35 EEPROM Block End Address – EEBLKEND (0x12110; RO)

| Field | Bit(s) | Init. | Description |
|-----------------|--------|-------|---|
| 1st End Address | 10:0 | 0x000 | The last address expressed in words of the first hardware section (EEPROM map), which is protected from software writes. Loaded from the secured section in the Flash (word 0x2C). For legacy reasons, it is cleared to 0x000 when there is no first hardware protected section in the shadow RAM. |
| Reserved | 31:11 | | Reserved |

8.4.36 Software Flash Burst Control Register - FLSWCTL (0x12048; RW)

| Field | Bit(s) | Init. | Description |
|-------------|--------|-------|--|
| ADDR | 23:0 | 0x0 | Address in Bytes. This field is written by software along with <i>CMD</i> to indicate the Flash address to which the operation (read/write/erase, etc.) is performed. See the command description following this table. |
| CMD | 27:24 | 00b | Command. Indicates which command that should be executed. |
| CMDV (RO) | 28 | 0b | Last Command was Valid. When cleared, it indicates that the last command issued was either a reserved combination (see the following table), or one of the following: <ul style="list-style-type: none"> When count reached zero (except for a general purpose status write) When a write burst crosses a Flash page When the address to be written is protected (RO) When the CNT specified is out of the permitted range (see the following table). |
| FLBUSY (RO) | 29 | 0b | Flash Busy. This bit indicates that the Flash is busy processing a Flash transaction and should not be accessed. |
| DONE (RO) | 30 | 1b | Single Flash Transaction Done. This bit clears after the register is written by software and is set back again when the single Flash transaction was issued to the Flash device. When writing a burst transaction, the bit is cleared every time software writes FLSWDATA. |
| GLDONE (RO) | 31 | 1b | Global Flash Transaction Done. This bit clears after the register is written by software and is set back again when the all the Flash transactions were issued to the Flash device. For example, the Flash device completed all requested read/writes. |



| CMD{27:24} | FLSWCNT.CNT range | Limitations to Host | Command Description |
|-------------------|---|---|---|
| 0000b | 1 B - 4 KB | | Read |
| 0001b | 1 B - 256 B the write must not cross a page (256 B) boundary | When in the Flash Secure mode, this command is operational only if applied on un-secured words. | Write |
| 0010b | Don't Care | When in Flash secure mode, this command is operational only if applied on un-secured sectors. | Flash sector (4 KB) erase (when no security). The 4 KB sector index to be erased is determined by the ADDR field. |
| 0011b | Don't Care | This command is not operational when in Flash secure mode. | Flash device erase (when no security). The entire Flash device is erased. |
| 0100b | 1 B - 4 B | | Read Status register of Flash device. |
| 0101b | 1 B - 4 B | This command is not operational when in Flash secure mode. | Write Status register of Flash device. |
| 0110b | Don't Care | This command is not operational when in Flash secure mode. | Write Enable. Depending on the Flash device Datasheet, this command might be needed prior to issuing the 1100b Programmable Write Status register op-code. |
| 0110b, 0111b | | | Reserved. |
| 1000b | 1 B - 4 B | | Read JEDEC ID. |
| 1001b | | | Reserved. |
| 1010b | | | Reserved. |
| 1011b | 1 B - 4 B | Op-code cannot be re-programmed when in Flash secured mode | Programmable Read Status register (op-code 0x35 by default that can be re-programmed in FLASHGOP). |
| 1100 | 0 B - 4 B | This command is not operational when in Flash secure mode. | Programmable Write Status register (op-code 0x31 by default that can be re-programmed in FLASHGOP). |

8.4.37 Software Flash Burst Data Register - FLSWDATA (0x1204C; RW)

| Field | Bit(s) | Init. | Description |
|--------------|---------------|--------------|---|
| DATA | 31:0 | 0x0 | Burst Flash Data. Data written to or read from the Flash. When FLSWCNT.CNT field is programmed with a number of bytes that is not aligned a multiple of four (last Dword is a partial), the last valid byte(s) are located in the lower DATA field bytes. |

8.4.38 Software Flash Burst Access Counter - FLSWCNT (0x12050; RW)

| Field | Bit(s) | Init. | Description |
|--------------|---------------|--------------|--|
| Reserved | 31:13 | 0x0 | Reserved |
| CNT | 12:0 | 0x0 | Flash Burst Counter. This counter holds the size in bytes of the Flash burst read or write. |



8.4.39 Data - INVM_DATA (0x12120 + 4*n [n = 0..63]; R/W1)

These registers hold the iNVM memory content. The iNVM memory is organized in 32 lines of 64-bits each. INVM_DATA[0] holds the lowest 32 bits of the first iNVM line. INVM_DATA[1] holds the highest 32 bits of the first iNVM line.

| Field | Bit(s) | Init. | Description |
|-------|--------|-------|---|
| DATA | 31:0 | 0x0 | Data value programmed or to be programmed in the corresponding iNVM line segment (high or low order 32-bits). Once a bit that has been programmed to 1b, it cannot be re-programmed to 0b. |

8.4.40 Lock - INVM_LOCK (0x12220 + 4*n [n = 0..31]; R/W1)

The iNVM memory is organized in 32 lines of 64-bits each. INVM_LOCK[n] controls iNVM memory line n.

| Field | Bit(s) | Init. | Description |
|----------|--------|-------|--|
| LOCK | 0 | 0b | When set to 1b, the corresponding iNVM line is locked and cannot be programmed. Once this bit that has been programmed to 1b, it cannot be re-programmed to 0b. |
| Reserved | 31:1 | 0x0 | Reserved. |

8.4.41 Test - INVM_TEST (0x122A0 + 4*n [n = 0..31]; R/W1)

The iNVM memory is organized in 32 lines of 64-bits each. INVM_TEST[n] is relative to memory line n. The test bits are reserved for manufacturing tests. The chip may arrive with any value in these bits. They have no impact on the chip behavior. User may use any test bit that was not already set to test his iNVM write function.

8.4.42 Protect - INVM_PROTECT (0x12324; RW)

Note: Register bits reset after LAN_PWR_GOOD.

| Field | Bit(s) | Init. | Description |
|------------------|--------|-------|---|
| ALLOW_WRITE (RO) | 0 | 0b | When read as 1b, it indicates that the iNVM is enabled for writes. For example, the <i>Code</i> field was written with the correct value, which enables writing the iNVM (0xABACADA). |
| WRITE_ERROR (RO) | 1 | 0b | When read as 1b, it indicates an attempt to write the iNVM when the write was locked (ALLOW_WRITE bit was 0b) or when the iNVM was still busy with a previous write. This bit is cleared on the next iNVM write operation that was successfully performed. |
| BUSY (RO) | 2 | 0b | When read as 1b, it indicates that the iNVM is still busy with the previous write. |
| Reserved | 3 | 0b | Reserved. |
| CODE | 31:4 | 0x0 | When set to 0xABACADA, the iNVM is enabled for writes. Any other value set in this field is protected against mistakenly writing the iNVM. This field is always read as 0x0. |



8.5 Flow Control Register Descriptions

8.5.1 Flow Control Address Low - FCAL (0x0028; RO)

Flow control packets are defined by 802.3X to be either a unique multicast address or the station address with the EtherType field indicating PAUSE. The FCA registers provide the value hardware uses to compare incoming packets against, to determine that it should PAUSE its output.

The FCAL register contains the lower bits of the internal 48-bit Flow Control Ethernet address. All 32 bits are valid. Software can access the High and Low registers as a register pair if it can perform a 64-bit access to the PCIe bus. The complete flow control multicast address is: 0x01_80_C2_00_00_01; where 0x01 is the first byte on the wire, 0x80 is the second, etc.

Note: Any packet matching the contents of {*FCAH*, *FCAL*, *FCT*} when *CTRL.RFCE* is set is acted on by the I210. Whether flow control packets are passed to the host (software) depends on the state of the *RCTL.DPF* bit.

| Field | Bit(s) | Initial Value | Description |
|-------|--------|---------------|---------------------------|
| FCAL | 31:0 | 0x00C28001 | Flow Control Address Low. |

8.5.2 Flow Control Address High - FCAH (0x002C; RO)

This register contains the upper bits of the 48-bit Flow Control Ethernet address. Only the lower 16 bits of this register have meaning. The complete Flow Control address is {*FCAH*, *FCAL*}.

The complete flow control multicast address is: 0x01_80_C2_00_00_01; where 0x01 is the first byte on the wire, 0x80 is the second, etc.

| Field | Bit(s) | Initial Value | Description |
|----------|--------|---------------|--|
| FCAH | 15:0 | 0x0100 | Flow Control Address High. Should be programmed with 0x01_00. |
| Reserved | 31:16 | 0x0 | Reserved. Write 0x0, ignore on read. |

8.5.3 Flow Control Type - FCT (0x0030; R/W)

This register contains the *Type* field that hardware matches to recognize a flow control packet. Only the lower 16 bits of this register have meaning. This register should be programmed with 0x88_08. The upper byte is first on the wire *FCT*[15:8].

| Field | Bit(s) | Initial Value | Description |
|----------|--------|---------------|---|
| FCT | 15:0 | 0x8808 | Flow Control Type. |
| Reserved | 31:16 | 0x0 | Reserved. Write 0x0, ignore on read. |



8.5.4 Flow Control Transmit Timer Value - FCTTV (0x0170; R/W)

The 16-bit value in the *TTV* field is inserted into a transmitted frame (either XOFF frames or any PAUSE frame value in any software transmitted packets). It counts in units of slot time of 64 bytes. If software needs to send an XON frame, it must set *TTV* to 0x0 prior to initiating the PAUSE frame.

| Field | Bit(s) | Initial Value | Description |
|----------|--------|---------------|---|
| TTV | 15:0 | X | Transmit Timer Value. |
| Reserved | 31:16 | 0x0 | Reserved. Write 0x0, ignore on read. |

8.5.5 Flow Control Receive Threshold Low - FCRTL0 (0x2160; R/W)

This register contains the receive threshold used to determine when to send an XON packet. The complete register reflects the threshold in units of bytes. The lower four bits must be programmed to 0x0 (16 byte granularity). Software must set *XONE* to enable the transmission of XON frames. Each time hardware crosses the receive-high threshold (becoming more full), and then crosses the receive-low threshold and *XONE* is enabled (1b), hardware transmits an XON frame. When *XONE* is set, the *RTL* field should be programmed to at least 0x3 (at least 48 bytes).

Flow control reception/transmission are negotiated capabilities by the auto-negotiation process. When the I210 is manually configured, flow control operation is determined by the *CTRL.RFCE* and *CTRL.TFCE* bits.

| Field | Bit(s) | Initial Value | Description |
|----------|--------|---------------|--|
| Reserved | 3:0 | 0x0 | Reserved. Write 0x0, ignore on read. |
| RTL | 16:4 | 0x0 | Receive Threshold Low. FIFO low water mark for flow control transmission when transmit flow control is enabled (<i>CTRL.TFCE</i> = 1b). An XON packet is sent if the occupied space in the packet buffer is smaller or equal than this watermark. This field is in 16 bytes granularity. |
| Reserved | 30:17 | 0x0 | Reserved. Write 0x0, ignore on read. |
| XONE | 31 | 0b | XON Enable. 0b = Disabled. 1b = Enabled. |

8.5.6 Flow Control Receive Threshold High - FCRTH0 (0x2168; R/W)

This register contains the receive threshold used to determine when to send an XOFF packet. The complete register reflects the threshold in units of bytes. This value must be at maximum 48 bytes less than the maximum number of bytes allocated to the Receive Packet Buffer (*RXPBSIZE.RXPbsize*), and the lower four bits must be programmed to 0x0 (16 byte granularity). The value of *RTH* should also be bigger than *FCRTL0.RTL*. Each time the receive FIFO reaches the fullness indicated by *RTH*, hardware transmits a PAUSE frame if the transmission of flow control frames is enabled.

Flow control reception/transmission are negotiated capabilities by the auto-negotiation process. When the I210 is manually configured, flow control operation is determined by the *CTRL.RFCE* and *CTRL.TFCE* bits.



| Field | Bit(s) | Initial Value | Description |
|----------|--------|---------------|--|
| Reserved | 3:0 | 0x0 | Reserved. Write 0x0, ignore on read. |
| RTH | 17:4 | 0x0 | Receive Threshold High. FIFO high water mark for flow control transmission when transmit flow control is enabled (<i>CTRL.TFCE</i> = 1b). An XOFF packet is sent if the occupied space in the packet buffer is bigger or equal than this watermark. This field is in 16 bytes granularity. Refer to Section 3.7.5.3.1 for calculation of <i>FCRTH0.RTH</i> value. Notes: 1. When in DMA coalescing operation and the internal transmit buffer is empty, the threshold high value defined in <i>FCRTC.RTH_Coal</i> is used instead of the <i>FCRTH0.RTH</i> value to allow an increase of the receive threshold high value by the maximum supported Jumbo frame size. 2. The value programmed should be greater than the maximum packet size. |
| Reserved | 31:18 | 0x0 | Reserved. Write 0x0, ignore on read. |

8.5.7 Flow Control Refresh Threshold Value - FCRTV (0x2460; R/W)

| Field | Bit(s) | Initial Value | Description |
|---------------|--------|---------------|---|
| FC_refresh_th | 15:0 | 0x0 | Flow Control Refresh Threshold. This value indicates the threshold value of the flow control shadow counter when transmit flow control is enabled (<i>CTRL.TFCE</i> = 1b). When the counter reaches this value, and the conditions for PAUSE state are still valid (buffer fullness above low threshold value), a PAUSE (XOFF) frame is sent to link partner. If this field contains zero value, the flow control refresh is disabled. |
| Reserved | 31:16 | X | Reserved. Write 0x0, ignore on read. |

8.5.8 Flow Control Status - FCSTS0 (0x2464; RO)

This register describes the status of the flow control machine.

| Field | Bit(s) | Initial Value | Description |
|--------------------|--------|---------------|---|
| Flow_control state | 0 | 0b | Flow Control State Machine Signal. 0b = XON. 1b = XOFF. |
| Above high | 1 | 0x0 | The size of data in the memory is above the high threshold. |
| Below low | 2 | 1b | The size of data in the memory is below the low threshold. |
| Reserved | 15:3 | 0x0 | Reserved. Write 0x0, ignore on read. |
| Refresh counter | 31:16 | 0x0 | Flow Control Refresh Counter. |



8.6 PCIe Register Descriptions

8.6.1 PCIe Control - GCR (0x5B00; RW)

| Field | Bit(s) | Initial Value | Description |
|----------------------------------|--------|-----------------|--|
| Reserved | 1:0 | 0x0 | Reserved. |
| Discard on BME de-assertion | 2 | 1b | When set and BME deasserted, PCIe discards all requests of this function. |
| Reserved | 8:3 | 0x0 | Reserved. Write 0x0, ignore on read. |
| Completion Timeout Resend Enable | 9 | 0b ¹ | When set, enables a resend request after the completion timeout expires. 0b = Do not resend request after completion timeout. 1b = Resend request after completion timeout. Note: This field is loaded from the <i>Completion Timeout Resend</i> bit in the Flash. |
| Reserved | 10 | 0b | Reserved. Write 0b, ignore on read. |
| Number of Resends | 12:11 | 11b | The number of resends in case of timeout or poisoned. |
| Reserved | 17:13 | 0x0 | Reserved. Write 0x0, ignore on read. |
| PCIe Capability Version (RO) | 18 | 1b ² | Reports the PCIe capability version supported. 0b = Capability version: 0x1. 1b = Capability version: 0x2. |
| Reserved | 30:19 | 0x0 | Reserved. |
| DEV_RST In Progress | 31 | 0b | Device Reset in Progress. This bit is set following device reset assertion (<i>CTRL.DEV_RST</i> = 1b) until no pending requests exist in PCIe. The software device driver should wait for this bit to be cleared before re-initializing the port (Refer to Section 4.3.1). |

1. Loaded from *PCIe Completion Timeout Configuration* Flash word (word 0x15).
2. The default value for this field is read from the *PCIe Init Configuration 3* Flash word (address 0x1A) bits 11:10. If these bits are set to 10b, then this field is set to 1b, otherwise field is reset to zero.

8.6.2 PCIe Statistics Control #1 - GSCL_1 (0x5B10; RW)

| Field | Bit(s) | Initial Value | Description |
|----------------|--------|---------------|---|
| GIO_COUNT_EN_0 | 0 | 0b | Enable PCIe Statistic Counter Number 0. |
| GIO_COUNT_EN_1 | 1 | 0b | Enable PCIe Statistic Counter Number 1. |
| GIO_COUNT_EN_2 | 2 | 0b | Enable PCIe Statistic Counter Number 2. |
| GIO_COUNT_EN_3 | 3 | 0b | Enable PCIe Statistic Counter Number 3. |
| LBC Enable 0 | 4 | 0b | When set, statistics counter 0 operates in Leaky Bucket mode. |
| LBC Enable 1 | 5 | 0b | When set, statistics counter 1 operates in Leaky Bucket mode. |
| LBC Enable 2 | 6 | 0b | When set, statistics counter 2 operates in Leaky Bucket mode. |
| LBC Enable 3 | 7 | 0b | When set, statistics counter 3 operates in Leaky Bucket mode. |
| Reserved | 26:8 | 0x0 | Reserved. Write 0x0, ignore on read. |
| GIO_COUNT_TEST | 27 | 0b | Test Bit. Forward counters for testability. |



| Field | Bit(s) | Initial Value | Description |
|-----------------|--------|---------------|---|
| GIO_64_BIT_EN | 28 | 0b | Enable two 64-bit counters instead of four 32-bit counters. |
| GIO_COUNT_RESET | 29 | 0b | Reset indication of PCIe statistical counters. |
| GIO_COUNT_STOP | 30 | 0b | Stop indication of PCIe statistical counters. |
| GIO_COUNT_START | 31 | 0b | Start indication of PCIe statistical counters. |

8.6.3 PCIe Statistics Control #2 - GSCL_2 (0x5B14; RW)

This register configures the events counted by the GSCN_0, GSCN_1, GSCN_2 and GSCN_3 counters.

| Field | Bit(s) | Initial Value | Description |
|-----------------|--------|---------------|--|
| GIO_EVENT_NUM_0 | 7:0 | 0x0 | Event type that counter 0 (GSCN_0) counts. |
| GIO_EVENT_NUM_1 | 15:8 | 0x0 | Event type that counter 1 (GSCN_1) counts. |
| GIO_EVENT_NUM_2 | 23:16 | 0x0 | Event type that counter 2 (GSCN_2) counts. |
| GIO_EVENT_NUM_3 | 31:24 | 0x0 | Event type that counter 3 (GSCN_3) counts. |

Table 8-9 lists the encoding of possible event types counted by GSCN_0, GSCN_1, GSCN_2 and GSCN_3.



Table 8-9. PCIe Statistic Events Encoding

| Transaction Layer Events | Event Mapping (Hex) | Description |
|---------------------------------|---------------------|--|
| Bad TLP From LL | 0x0 | For each cycle, the counter increases by one, if a bad TLP is received (bad CRC, error reported by AL, misplaced special char, or reset in thI of received tlp). |
| Requests That Reached Timeout | 0x10 | Number of requests that reached time out. |
| NACK DLLP Received | 0x20 | For each cycle, the counter increases by one, if a message was transmitted. |
| Replay Happened in Retry-Buffer | 0x21 | Occurs when a replay happened due to a timeout (not asserted when replay initiated due to NACK). |
| Receive Error | 0x22 | Set when one of the following occurs: 1. Decoder error occurred during training in the PHY. It is reported only when training ends. 2. Decoder error occurred during link-up or until the end of the current packet (if the link failed). This error is masked when entering/exiting EI. |
| Replay Roll-Over | 0x23 | Occurs when a replay was initiated for more than three times (threshold is configurable by the PHY CSRs). |
| Re-Sending Packets | 0x24 | Occurs when a TLP is resent in case of a completion timeout. |
| Surprise Link Down | 0x25 | Occurs when link is unpredictably down (not because of reset or DFT). |
| LTSSM in L0s in both Rx & Tx | 0x30 | Occurs when LTSSM enters L0s state in both Tx and Rx. |
| LTSSM in L0s in Rx | 0x31 | Occurs when LTSSM enters L0s state in Rx. |
| LTSSM in L0s in Tx | 0x32 | Occurs when LTSSM enters L0s state in Tx. |
| LTSSM in L1 active | 0x33 | Occurs when LTSSM enters L1-active state (requested from host side). Note: In case of RECOVERY entries not due to L1 exit, if the host will NAK the L1 request, there will be false L1 entry counts. |
| LTSSM in L1 SW | 0x34 | Occurs when LTSSM enters L1-switch (requested from switch side). Note: In case of RECOVERY entries not due to L1 exit, if the host will NAK the L1 request, there will be false L1 entry counts. |
| LTSSM in Recovery | 0x35 | Occurs when LTSSM enters recovery state. |

8.6.4 PCIe Statistic Control Register #5...#8 - GSCL_5_8 (0x5B90 + 4*n[n=0...3]; RW)

These registers control the operation of the statistical counters GSCN_0, GSCN_1, GSCN_2 and GSCN_3 when operating in Leaky Bucket mode:

- GSCL_5 controls operation of GSCN_0.
- GSCL_6 controls operation of GSCN_1.
- GSCL_7 controls operation of GSCN_2.
- GSCL_8 controls operation of GSCN_3.

| Field | Bit(s) | Initial Value | Description |
|-----------------|--------|---------------|---|
| LBC threshold n | 15:0 | 0x0 | Threshold for the Leaky Bucket Counter n. |
| LBC timer n | 31:16 | 0x0 | Time period between decrementing the value in Leaky Bucket Counter n. |



8.6.5 PCIe Counter #0 - GSCN_0 (0x5B20; RC)

| Field | Bit(s) | Initial Value | Description |
|-------|--------|---------------|---|
| EVC | 31:0 | 0x0 | Event Counter. Type of event counted is defined by the <i>GSCL_2.GIO_EVENT_NUM_0</i> field. Count value does not wrap around and remains stuck at the maximum value of 0xFF..F. Value is cleared by read. |

8.6.6 PCIe Counter #1 - GSCN_1 (0x5B24; RC)

| Field | Bit(s) | Initial Value | Description |
|-------|--------|---------------|---|
| EVC | 31:0 | 0x0 | Event Counter. Type of event counted is defined by the <i>GSCL_2.GIO_EVENT_NUM_1</i> field. Count value does not wrap around and remains stuck at the maximum value of 0xFF..F. Value is cleared by read. |

8.6.7 PCIe Counter #2 - GSCN_2 (0x5B28; RC)

| Field | Bit(s) | Initial Value | Description |
|-------|--------|---------------|---|
| EVC | 31:0 | 0x0 | Event Counter. Type of event counted is defined by the <i>GSCL_2.GIO_EVENT_NUM_2</i> field. Count value does not wrap around and remains stuck at the maximum value of 0xFF..F. Value is cleared by read. |

8.6.8 PCIe Counter #3 - GSCN_3 (0x5B2C; RC)

| Field | Bit(s) | Initial Value | Description |
|-------|--------|---------------|---|
| EVC | 31:0 | 0x0 | Event Counter. Type of event counted is defined by the <i>GSCL_2.GIO_EVENT_NUM_3</i> field. Count value does not wrap around and remains stuck at the maximum value of 0xFF..F. Value is cleared by read. |

8.6.9 Function Active and Power State to MNG - FACTPS (0x5B30; RO)

Note: Register resets by LAN_PWR_GOOD and PCIe reset.



| Field | Bit(s) | Initial Value | Description |
|-----------------------|--------|---------------|---|
| Func Power State | 1:0 | 00b | Power state indication of Function. 00b = DR. 01b = D0u. 10b = D0a. 11b = D3. This field resets only by LAN_PWR_GOOD. |
| Reserved | 2 | 0b | Reserved. |
| Func Aux_En | 3 | 0b | Function Auxiliary (AUX) Power PM Enable bit shadow from the configuration space. |
| Reserved | 28:4 | 0x0 | Reserved. Write 0x0, ignore on read. |
| MNGCG | 29 | 0b | MNG Clock Gated. When set, indicates that the manageability clock is gated. |
| Reserved | 30 | 0b | Reserved. |
| PM State Changed (RC) | 31 | 0b | Indicates that one or more of the functional power states have changed. This bit is also a signal to the MC to create an interrupt. This bit is cleared on read by the MC. This bit resets only by LAN_PWR_GOOD. |

8.6.10 Mirrored Revision ID - MREVID (0x5B64; R/W)

| Field | Bit(s) | Initial Value | Description |
|-------------|--------|----------------------------|---|
| Flash RevID | 7:0 | 0x0 | Mirroring of revision ID loaded from the Flash in PCIe configuration space (from Device Rev ID word, address 0x1E). |
| Step REV ID | 15:8 | 0x01 for A1 0x03 for A2 | Revision ID from FUNC configuration space. |
| Reserved | 31:16 | 0x0 | Reserved Write 0x0, ignore on read. |

8.6.11 PCIe Control Extended Register - GCR_EXT (0x5B6C; RW)

| Field | Bit(s) | Init. | Description |
|----------|--------|-------|--|
| Reserved | 3:0 | 0x0 | Reserved. |
| APBACD | 4 | 0b | Auto PBA Clear Disable. When set to 1b, software can clear the PBA only by a direct write to clear access to the PBA bit. When set to 0b, any active PBA entry is cleared on the falling edge of the appropriate interrupt request to the PCIe block. The appropriate interrupt request is cleared when software sets the associated <i>Interrupt Mask</i> bit in the EIMS (re-enabling the interrupt) or by direct write to clear to the PBA. |
| Reserved | 31:5 | 0x0 | Reserved. |



8.6.12 PCIe BAR Control - BARCTRL (0x5BF0; R/W) Target

| Field | Bit(s) | Initial Value | Description |
|----------|--------|---------------|--|
| Reserved | 31:0 | 0x0 | Reserved Write 0x0, ignore on read. |

Table 8-10. Usable Flash Size and CSR Mapping Window Size

| FLBARSize | CSRSize | Resulted CSR + Flash BAR Size | Installed Flash Device | Usable Flash Space |
|-----------|---------|-------------------------------|------------------------|---------------------|
| 000b | 0 | 128 KB | No Flash | 0 |
| 000b | 1 | 256 KB | 64 KB | 64 KB |
| 001b | 0 | 256 KB | 128 KB | 128 KB |
| 001b | 1 | n/a | n/a | Reserved |
| 010b | 0 | 256 KB | 256 KB | 256 KB minus 128 KB |
| 010b | 1 | 512 KB | 256 KB | 256 KB |
| 011b | 0 | 512 KB | 512 KB | 512 KB minus 128 KB |
| 011b | 1 | 1 MB | 512 KB | 512 KB |
| 100b | 0 | 1 MB | 1 MB | 1 MB minus 128 KB |
| 100b | 1 | 2 MB | 1 MB | 1 MB |
| 101b | 0 | 2 MB | 2 MB | 2 MB minus 128 KB |
| 101b | 1 | 4 MB | 2 MB | 2 MB |
| 110b | 0 | 4 MB | 4 MB | 4 MB minus 128 KB |
| 110b | 1 | 8 MB | 4MB | 4 MB |
| 111b | 0 | 8 MB | 8MB | 8 MB minus 128 KB |
| 111b | 1 | 16 MB | 8MB | 8 MB |

8.6.13 Read Request To Data Completion Delay Register - RR2DCDELAY (0x5BF4; RC)

Note: Register resets by LAN_PWR_GOOD and PCIe reset.

| Field | Bit(s) | Initial Value | Description |
|----------------|--------|---------------|---|
| Max Split Time | 31:0 | 0x0 | This field captures the maximum PCIe split time in 16 ns units, which is the maximum delay between the read request to the first data completion. This is giving an estimation of the PCIe round trip time. |

8.6.14 PCIe MCTP Register - PCIEMCTP (0x5B4C; RO to Host)

Note: Reset by PCIe reset.



| Field | Bit(s) | Initial Value | Description |
|-------------|--------|---------------|---|
| Disable ACL | 0 | 0b | When set, the ACL check on the PCIe VDMs is disabled. |
| Reserved | 31:1 | 0x0 | Reserved Write 0x0, ignore on read |

8.7 Semaphore Registers

This section contains registers used to coordinate between firmware and software. The usage of these registers is described in [Section 4.6.11](#).

8.7.1 Software Semaphore - SWSM (0x5B50; R/W)

| Field | Bit(s) | Initial Value | Description |
|-----------|--------|---------------|---|
| SMBI (RS) | 0 | 0b | Software/Software Semaphore Bit This bit is set by hardware when this register is read by the software device driver and cleared when the host driver writes a 0b to it. The first time this register is read, the value is 0b. In the next read the value is 1b (hardware mechanism). The value remains 1b until the software device driver clears it. This bit can be used as a semaphore between all I210 driver threads. This bit is cleared on PCIe reset. |
| SWESMBI | 1 | 0x0 | Software/Firmware Semaphore Bit. This bit should be set only by the software device driver (read only to firmware). The bit is not set if bit zero in the FWSM register is set. The software device driver should set this bit and then read it to verify that it was set. If it was set, it means that the software device driver can access the SW_FW_SYNC register. The software device driver should clear this bit after modifying the SW_FW_SYNC register. Note: <ul style="list-style-type: none"> If software takes ownership of the <i>SWSM.SWESMBI</i> bit for a duration longer than 10 ms, Firmware can take ownership of the bit. Hardware clears this bit on a PCIe reset. |
| Reserved | 30:2 | 0x0 | Reserved. Write 0x0, ignore on read. |
| Reserved | 31 | 0b | Reserved. |



8.7.2 Firmware Semaphore - FWSM (0x5B54; RO to Host, RW to FW)

| Field ¹ | Bit(s) | Initial Value | Description |
|--------------------|--------|---------------|--|
| EEP_FW_Semaphore | 0 | 0b | Software/Firmware Semaphore. Firmware should set this bit to 1b before accessing the <i>SW_FW_SYNC</i> register. If software is using the <i>SWSM</i> register and does not lock <i>SW_FW_SYNC</i> , firmware is able to set this bit to 1b. Firmware should set this bit back to 0b after modifying the <i>SW_FW_SYNC</i> register. Note: If software takes ownership of the <i>SWSM.SWESMBI</i> bit for a duration longer than 10 ms, firmware can take ownership of the bit. |
| FW_Mode | 3:1 | 0x0 | Firmware Mode. Indicates the firmware mode as follows: 000b = No manageability. Default mode for all SKUs. 001b = The I210 mode. A proxy code was loaded. 010b = PT mode. I210 SKUs only. 011b = Reserved. 100b = Host interface only. In the I210, this bit determines that a valid firmware code is running from the Flash but PT mode is disabled. |
| Reserved | 5:4 | 00b | Reserved. Write 0x0, ignore on read. |
| EEP_Reload_Ind | 6 | 0b | Flash Reloaded Indication. Set to 1b after firmware reloads the Firmware related sections of the Flash. Cleared by firmware at Firmware reset only. |
| Reserved | 14:7 | 0x0 | Reserved Write 0x0, ignore on read. |
| FW_Val_Bit | 15 | 0b | Firmware Valid Bit. Hardware clears this bit in reset de-assertion so software can know firmware mode (bits 1-3) bits are invalid. In the I210, firmware should set this bit to 1b when it is ready (end of boot sequence). Each time this bit is set to 1b, an ICR.MNG interrupt must be issued to host. |
| Reset_Cnt | 18:16 | 0b | Reset Counter. Firmware increments the count on every firmware reset. After seven firmware reset events, the counter remains at seven and does not wrap around. |



| Field ¹ | Bit(s) | Initial Value | Description |
|------------------------------|--------|---------------|--|
| Ext_Err_Ind | 24:19 | 0x0 | <p>External Error Indication</p> <p>Firmware writes here the reason that the firmware operation has stopped. For example, Flash CRC error, etc.</p> <p>Possible values:</p> <p>0x00: No Error.</p> <p>0x01: Flash CRC error in test configuration module.</p> <p>Reserved.</p> <p>0x03: Flash CRC error in common firmware parameters module.</p> <p>0x04: Flash CRC error in pass through.</p> <p>0x05: Shadow RAM dump fault.</p> <p>0x06: Bad Flash contents.</p> <p>0x07: Reserved.</p> <p>0x08: Flash CRC error in sideband configuration module.</p> <p>0x09: Flash CRC error in flexible TCO filter configuration module.</p> <p>0x0A: Flash CRC Error in NC-SI microcode download module.</p> <p>0x0B: Flash CRC Error in NC-SI configuration module.</p> <p>0x0C: Flash CRC Error in traffic type parameters module.</p> <p>0x0D: Flash CRC Error in inventory Flash structure module.</p> <p>0x0E: Flash CRC Error in PHY configuration structure module.</p> <p>0x0F to 0x15: Reserved.</p> <p>0x16: TLB table exceeded.</p> <p>0x17: DMA load failed.</p> <p>0x18: Reserved.</p> <p>0x19: Flash device not supported.</p> <p>0x1A: Invalid Flash checksum.</p> <p>0x1B: Unspecified error.</p> <p>0x1C to 0x1F: Reserved.</p> <p>0x20: Flash CRC Error in hardware auto-load.</p> <p>0x21: No manageability (No Flash).</p> <p>0x22: TCO isolate mode active.</p> <p>0x23: Management memory parity error.</p> <p>0x24: Firmware Flash access failure.</p> <p>0x25: Other management error detected.</p> <p>0x26 to 0x03F: Reserved</p> <p>Note: Following an error detection and <i>FWSM.Ext_Err_ind</i> update, the <i>ICR.MGMT</i> bit is set and an interrupt is sent to the host. However when values of 0x00 or 0x21 are placed in the <i>FWSM.Ext_Err_ind</i> field, the <i>ICR.MGMT</i> bit is not set and an interrupt is not generated.</p> |
| PCIe_Config_Err_Ind | 25 | 0b | <p>PCIe Configuration Error Indication.</p> <p>Set to 1b by firmware when it fails to configure the PCIe interface.</p> <p>Cleared by firmware after successfully configuring the PCIe interface.</p> |
| PHY_SERDES0_Config_Err_Ind | 26 | 0b | <p>PHY/SerDes Configuration Error Indication.</p> <p>Set to 1b by firmware when it fails to configure LAN PHY/SerDes.</p> <p>Cleared by firmware after successfully configuring LAN PHY/SerDes.</p> |
| Reserved | 30:27 | 0b | <p>Reserved.</p> <p>Write 0b, ignore on read.</p> |
| Factory MAC address restored | 31 | 0b | <p>This bit is set if internal firmware restored the factory MAC address at power up or if the factory MAC address and the regular MAC address were the same.</p> |

Notes:

1. This register should be written only by the manageability firmware. The software device driver should only read this register.
2. Firmware ignores the Flash semaphore in operating system hung states.
3. Bits 15:0 are cleared on firmware reset.



8.7.3 Software–Firmware Synchronization - SW_FW_SYNC (0x5B5C; RWM)

This register is intended to synchronize between software and firmware.

Note: If software takes ownership of bits in the *SW_FW_SYNC* register for a duration longer than 1 second, firmware can take ownership of the bit.

| Field | Bit(s) | Initial Value | Description |
|---------------|--------|---------------|---|
| SW_FLASH_SM | 0 | 0b | When set to 1b, Flash access is owned by software. |
| SW_PHY_SM | 1 | 0b | When set to 1b, SerDes/PHY access is owned by software. |
| SW_I2C_SM | 2 | 0b | When set to 1b, I ² C access register set (I2CCMD) is owned by software. |
| SW_MAC_CSR_SM | 3 | 0b | When set to 1b, software owns access to shared CSRs. |
| Reserved | 6:4 | 0x0 | Reserved. Write 0x0, ignore on read. |
| SW_SVR_SM | 7 | 0b | When set to 1b, the SVR/LVR control registers are owned by the software device driver. |
| SW_MB_SM | 8 | 0b | When Set to 1b, the <i>SWMBWR</i> mailbox write register, is owned by the software device driver. |
| Reserved | 9 | 0b | Reserved. Write 0b, ignore on read. |
| SW_MNG_SM | 10 | 0b | When set to 1b, the management host interface is owned by the port driver. This bit can be used by the port driver when updating teaming or proxying information. |
| Reserved | 15:11 | 0x0 | Reserved. Write 0x0, ignore on read. |
| FW_FLASH_SM | 16 | 0b | When set to 1b, Flash access is owned by firmware. |
| FW_PHY_SM | 17 | 0b | When set to 1b, PHY access is owned by firmware. |
| FW_I2C_SM | 18 | 0b | When set to 1b, I ² C access register set (I2CCMD) is owned by firmware. |
| FW_MAC_CSR_SM | 19 | 0b | When set to 1b, firmware owns access to shared CSRs. |
| Reserved | 22:20 | 0b | Reserved. Write 0x0, ignore on read. |
| FW_SVR_SM | 23 | 0b | When set to 1b, the SVR/LVR control registers are owned by firmware. |
| Reserved | 31:24 | 0x0 | Reserved Write 0x0, ignore on read. |

Reset conditions:

- The software-controlled bits 15:0 are reset as any other CSR on global resets, D3hot exit and Forced TCO. Software is expected to clear the bits on entry to D3 state.
- The firmware controlled bits (bits 31:16) are reset on LAN_PWR_GOOD (power up) and firmware reset.



8.8 Interrupt Register Descriptions

8.8.1 PCIe Interrupt Cause - PICAUSE (0x5B88; RW1/C)

| Field | Bit(s) | Init. | Description |
|----------|--------|-------|---|
| CA | 0 | 0b | PCI Completion Abort Exception Issued. |
| UA | 1 | 0b | Reserved. Write 0x0, ignore on read. |
| BE | 2 | 0b | Wrong byte-enable exception in the FUNC unit. |
| TO | 3 | 0b | PCI timeout exception in the FUNC unit. |
| BMEF | 4 | 0b | Asserted when Bus-Master-Enable (BME) of the PF is de-asserted. |
| ABR | 5 | 0b | PCI Completer Abort Received. PCI Completer Abort (CA) or Unsupported Request (UR) received (set after receiving CA or UR). Note: When this bit is set, all PCIe master activity is stopped. Software should issue a software (<i>CTRL.RST</i>) reset to enable PCIe activity. |
| Reserved | 31:6 | 0x0 | Reserved. Write 0x0, ignore on read. |

8.8.2 PCIe Interrupt Enable - PIENA (0x5B8C; R/W)

| Field | Bit(s) | Init. | Description |
|----------|--------|-------|---|
| CA | 0 | 0b | When set to 1b, the PCI completion abort interrupt is enabled. |
| UA | 1 | 0b | Reserved. Write 0x0, ignore on read. |
| BE | 2 | 0b | When set to 1b, the wrong byte-enable interrupt is enabled. |
| TO | 3 | 0b | When set to 1b, the PCI timeout interrupt is enabled. |
| BMEF | 4 | 0b | When set to 1b, the BME interrupt is enabled. |
| ABR | 5 | 0b | When set to 1b, the PCI completion abort received interrupt is enabled. |
| Reserved | 31:6 | 0x0 | Reserved. Write 0x0, ignore on read. |

8.8.3 Extended Interrupt Cause - EICR (0x1580; RC/W1C)

This register contains the frequent interrupt conditions for the I210. Each time an interrupt causing event occurs, the corresponding interrupt bit is set in this register. An interrupt is generated each time one of the bits in this register is set and the corresponding interrupt is enabled via the Interrupt Mask Set/Read register. The interrupt might be delayed by the selected Interrupt Throttling register.

Note that the software device driver cannot determine from the RxTxQ bits what was the cause of the interrupt. The possible causes for asserting these bits are: Receive descriptor write back, receive descriptor minimum threshold hit, low latency interrupt for Rx, and transmit descriptor write back.

Writing a 1b to any bit in the register clears that bit. Writing a 0b to any bit has no effect on that bit.

Register bits are cleared on register read if `GPIE.Multiple_MSIX = 0b`.



Auto clear can be enabled for any or all of the bits in this register.

Table 8-11. EICR Register - Non-MSI-X Mode (GPIE.Multiple_MSIX = 0b)

| Field | Bit(s) | Initial Value | Description |
|-------------|--------|---------------|--|
| RxTxQ | 3:0 | 0x0 | Receive/Transmit Queue Interrupts. One bit per queue or a bundle of queues, activated on receive/transmit queue events for the corresponding bit, such as: <ul style="list-style-type: none"> • Receive descriptor write back • Receive descriptor minimum threshold hit • Transmit descriptor write back. The mapping of the actual queue to the appropriate <i>RxTxQ</i> bit is according to the IVAR registers. |
| Reserved | 29:4 | 0x0 | Reserved. Write 0x0, ignore on read. |
| TCP Timer | 30 | 0b | TCP Timer Expired. Activated when the TCP timer reaches its terminal count. |
| Other Cause | 31 | 0b | Interrupt Cause Active. Activated when any bit in the ICR register is set. |

Note: Bits are not reset by device reset (*CTRL.DEV_RST*).

Table 8-12. EICR Register - MSI-X Mode (GPIE.Multiple_MSIX = 1b)

| Field | Bit(s) | Initial Value | Description |
|----------|--------|---------------|---|
| MSIX | 4:0 | 0x0 | Indicates an interrupt cause mapped to MSI-X vectors 4:0. Note: Bits are not reset by device reset (<i>CTRL.DEV_RST</i>). |
| Reserved | 31:5 | 0x0 | Reserved. Write 0x0, ignore on read. |

8.8.4 Extended Interrupt Cause Set - EICS (0x1520; WO)

Software uses this register to set an interrupt condition. Any bit written with a 1b sets the corresponding bit in the Extended Interrupt Cause Read register. An interrupt is then generated if one of the bits in this register is set and the corresponding interrupt is enabled via the Extended Interrupt Mask Set/Read register. Bits written with 0b are unchanged.

Table 8-13. EICS Register - Non MSI-X mode (GPIE.Multiple_MSIX = 0b)

| Field | Bit(s) | Initial Value | Description |
|-----------|--------|---------------|--|
| RxTxQ | 3:0 | 0x0 | Sets to corresponding EICR RxTxQ interrupt condition. |
| Reserved | 29:4 | 0x0 | Reserved. Write 0x0, ignore on read. |
| TCP Timer | 30 | 0b | Sets the corresponding EICR TCP timer interrupt condition. |
| Reserved | 31 | 0b | Reserved. Write 0b, ignore on read. |

Note: In order to set bit 31 of the EICR (Other Causes), the ICS and IMS registers should be used in order to enable one of the legacy causes.

**Table 8-14. EICS Register - MSI-X Mode (GPIE.Multiple_MSIX = 1b)**

| Field | Bit(s) | Initial Value | Description |
|----------|--------|---------------|---|
| MSI-X | 4:0 | 0x0 | Sets the corresponding <i>EICR</i> bit of MSI-X vectors 4:0 |
| Reserved | 31:5 | 0x0 | Reserved. Write 0x0, ignore on read. |

8.8.5 Extended Interrupt Mask Set/Read - EIMS (0x1524; RWM)

Reading this register returns which bits that have an interrupt mask set. An interrupt in *EICR* is enabled if its corresponding mask bit is set to 1b and disabled if its corresponding mask bit is set to 0b. A PCI interrupt is generated each time one of the bits in this register is set and the corresponding interrupt condition occurs (subject to throttling). The occurrence of an interrupt condition is reflected by having a bit set in the Extended Interrupt Cause Read register.

An interrupt might be enabled by writing a 1b to the corresponding mask bit location (as defined in the *EICR* register) in this register. Any bits written with a 0b are unchanged. As a result, if software needs to disable an interrupt condition that had been previously enabled, it must write to the *Extended Interrupt Mask Clear* register rather than writing a 0b to a bit in this register.

Table 8-15. EIMS Register - Non-MSI-X Mode (GPIE.Multiple_MSIX = 0b)

| Field | Bit(s) | Initial Value | Description |
|-------------|--------|---------------|--|
| RxTxQ | 3:0 | 0x0 | Set the <i>Mask</i> bit for the corresponding <i>EICR</i> RxTxQ interrupt. |
| Reserved | 29:4 | 0x0 | Reserved. Write 0x0, ignore on read. |
| TCP Timer | 30 | 0b | Set the <i>Mask</i> bit for the corresponding <i>EICR</i> TCP timer interrupt condition. |
| Other Cause | 31 | 1b | Set the <i>Mask</i> bit for the corresponding <i>EICR</i> other cause interrupt condition. |

Note: Bits are not reset by device reset (*CTRL.DEV_RST*).

Table 8-16. EIMS Register - MSI-X Mode (GPIE.Multiple_MSIX = 1b)

| Field | Bit(s) | Initial Value | Description |
|----------|--------|---------------|---|
| MSI-X | 4:0 | 0x0 | Set the <i>Mask</i> bit for the corresponding <i>EICR</i> bit of the MSI-X vectors 4:0. Note: Bits are not reset by device reset (<i>CTRL.DEV_RST</i>). |
| Reserved | 31:5 | 0x0 | Reserved Write 0x0, ignore on read. |

8.8.6 Extended Interrupt Mask Clear - EIMC (0x1528; WO)

This register provides software a way to disable certain or all interrupts. Software disables a given interrupt by writing a 1b to the corresponding bit in this register.

On interrupt handling, the software device driver should set all the bits in this register related to the current interrupt request even though the interrupt was triggered by part of the causes that were allocated to this vector.

Interrupts are presented to the bus interface only when the mask bit is set to 1b and the cause bit is set to 1b. The status of the mask bit is reflected in the Extended Interrupt Mask Set/Read register and the status of the cause bit is reflected in the Interrupt Cause Read register.



Software blocks interrupts by clearing the corresponding mask bit. This is accomplished by writing a 1b to the corresponding bit location (as defined in the EICR register) of that interrupt in this register. Bits written with 0b are unchanged (their mask status does not change).

Table 8-17. EIMC Register - Non-MSI-X Mode (GPIE.Multiple_MSIX = 0b)

| Field | Bit(s) | Initial Value | Description |
|-------------|--------|---------------|--|
| RxTxQ | 3:0 | 0x0 | Clear the <i>Mask</i> bit for the corresponding <i>EICR</i> RxTxQ interrupt. |
| Reserved | 29:4 | 0x0 | Reserved. Write 0x0, ignore on read. |
| TCP Timer | 30 | 0b | Clear the <i>Mask</i> bit for the corresponding <i>EICR</i> TCP timer interrupt. |
| Other Cause | 31 | 1b | Clear the <i>Mask</i> bit for the corresponding <i>EICR</i> other cause interrupt. |

Table 8-18. EIMC Register - MSI-X Mode (GPIE.Multiple_MSIX = 1b)

| Field | Bit(s) | Initial Value | Description |
|----------|--------|---------------|---|
| MSI-X | 4:0 | 0x0 | Clear the <i>Mask</i> bit for the corresponding <i>EICR</i> bit of MSI-X vectors 4:0. |
| Reserved | 31:5 | 0x0 | Reserved. Write 0x0, ignore on read. |

8.8.7 Extended Interrupt Auto Clear - EIAC (0x152C; R/W)

This register is mapped like the EICS, EIMS, and EIMC registers, with each bit mapped to the corresponding MSI-X vector.

This register is relevant to MSI-X mode only, where read-to-clear can not be used, as it might erase causes tied to other vectors. If any bits are set in EIAC, the EICR register should not be read. Bits without auto clear set, need to be cleared with write-to-clear.

Note: *EICR* bits that have auto clear set are cleared by the internal emission of the corresponding MSI-X message even if this vector is disabled by the operating system.
The MSI-X message can be delayed by *EITR* moderation from the time the *EICR* bit is activated.

Table 8-19. EIAC Register

| Field | Bit(s) | Initial Value | Description |
|----------|--------|---------------|---|
| MSI-X | 4:0 | 0x0 | Auto clear bit for the corresponding <i>EICR</i> bit of the MSI-X vectors 4:0. Notes: <ul style="list-style-type: none"> • Bits are not reset by device reset (<i>CTRL.DEV_RST</i>). • When <i>GPIE.Multiple_MSIX</i> = 0b (Non-MSI-X Mode) bits 8 and 9 are read only and should be ignored. |
| Reserved | 31:5 | 0x0 | Reserved. Write 0x0, ignore on read. |

8.8.8 Extended Interrupt Auto Mask Enable - EIAM (0x1530; R/W)

Each bit in this register enables clearing of the corresponding bit in EIMS register following read- or write-to-clear to EICR or setting of the corresponding bit in EIMS following a write-to-set to EICS.



In MSI-X mode, this register controls which of the bits in the EIMS register to clear upon interrupt generation if enabled via the *GPIE.EIAME* bit.

Note: When operating in MSI mode and setting any bit in the EIAM register causes the clearing of all bits in the EIMS register and the masking of all interrupts after generating a MSI interrupt.

Table 8-20. EIAM Register - Non-MSI-X Mode (GPIE.Multiple_MSIX = 0b)

| Field | Bit(s) | Initial Value | Description |
|-------------|--------|---------------|---|
| RxTxQ | 3:0 | 0x0 | <i>Auto Mask</i> bit for the corresponding <i>EICR RxTxQ</i> interrupt. |
| Reserved | 29:4 | 0x0 | Reserved. Write 0x0, ignore on read. |
| TCP Timer | 30 | 0b | <i>Auto Mask</i> bit for the corresponding <i>EICR TCP timer</i> interrupt condition. |
| Other Cause | 31 | 0b | <i>Auto Mask</i> bit for the corresponding <i>EICR other cause</i> interrupt condition. |

Note: Bits are not reset by device reset (*CTRL.DEV_RST*).

Table 8-21. EIAM Register - MSI-X Mode (GPIE.Multiple_MSIX = 1b)

| Field | Bit(s) | Initial Value | Description |
|----------|--------|---------------|--|
| MSIX | 4:0 | 0x0 | <i>Auto Mask</i> bit for the corresponding <i>EICR</i> bit of MSI-X vectors 4:0. Note: Bits are not reset by device reset (<i>CTRL.DEV_RST</i>). |
| Reserved | 31:5 | 0x0 | Reserved. Write 0x0, ignore on read. |

8.8.9 Interrupt Cause Read Register - ICR (0x1500; RC/W1C)

This register contains the interrupt conditions for the I210 that are not present directly in the EICR. Each time an ICR interrupt causing event occurs, the corresponding interrupt bit is set in this register. The *EICR.Other* bit reflects the setting of interrupt causes from *ICR* as masked by the Interrupt Mask Set/Read register. Each time all un-masked causes in *ICR* are cleared, the *EICR.Other* bit is also cleared.

ICR bits are cleared on register read. Clear-on-read can be enabled/disabled through a general configuration register bit. Refer to [Section 7.3.3](#) for additional information.

Auto clear is not available for the bits in this register.

In order to prevent unwanted Link Status Change (LSC) interrupts during initialization, software should disable this interrupt until the end of initialization.

| Field | Bit(s) | Initial Value | Description |
|----------|--------|---------------|--|
| TXDW | 0 | 0b | Transmit Descriptor Written Back. Set when the I210 writes back a Tx descriptor to memory. |
| Reserved | 1 | 0b | Reserved. Write 0x0, ignore on read. |
| LSC | 2 | 0b | Link Status Change. This bit is set each time the link status changes (either from up to down, or from down to up). This bit is affected by the LINK indication from the PHY (internal PHY mode). |
| Reserved | 3 | 0b | Reserved. Write 0x0, ignore on read. |



| Field | Bit(s) | Initial Value | Description |
|---------------|--------|---------------|--|
| RXDMT0 | 4 | 0b | Receive Descriptor Minimum Threshold Reached. Indicates that the minimum number of receive descriptors are available and software should load more receive descriptors. |
| Reserved | 5 | 0b | Reserved. Write 0x0, ignore on read. |
| Rx Miss | 6 | 0b | Missed packet interrupt is activated for each received packet that overflows the Rx packet buffer (overrun). Note that the packet is dropped and also increments the associated MPC counter. Note: Could be caused by no available receive buffers or because PCIe receive bandwidth is inadequate. |
| RXDW | 7 | 0b | Receiver Descriptor Write Back. Set when the I210 writes back an Rx descriptor to memory. |
| Reserved | 9:8 | 0b | Reserved. Write 0x0, ignore on read. |
| GPHY | 10 | 0b | Internal 1000/100/10BASE-T PHY interrupt. Refer to Section 8.27 for further information. |
| GPI_SDP0 | 11 | 0b | General Purpose Interrupt on SDP0. If GPI interrupt detection is enabled on this pin (via <i>CTRL.SDP0_GPIEN</i>), this interrupt cause is set when the SDP0 is sampled high. |
| GPI_SDP1 | 12 | 0b | General Purpose Interrupt on SDP1. If GPI interrupt detection is enabled on this pin (via <i>CTRL.SDP1_GPIEN</i>), this interrupt cause is set when the SDP1 is sampled high. |
| GPI_SDP2 | 13 | 0b | General Purpose Interrupt on SDP2. If GPI interrupt detection is enabled on this pin (via <i>CTRL_EXT.SDP2_GPIEN</i>), this interrupt cause is set when the SDP2 is sampled high. |
| GPI_SDP3 | 14 | 0b | General Purpose Interrupt on SDP3. If GPI interrupt detection is enabled on this pin (via <i>CTRL_EXT.SDP3_GPIEN</i>), this interrupt cause is set when the SDP3 is sampled high. |
| Reserved | 15 | 0b | Reserved. |
| Reserved | 17:16 | 00b | Reserved. Write 0x0, ignore on read. |
| MNG | 18 | 0b | Manageability Event Detected. Indicates that a manageability event happened. When bit is set due to detection of error by management, <i>FWSM.Ext_Err_Ind</i> field is updated with the error cause. |
| Time_Sync | 19 | 0b | Time_Sync Interrupt. This interrupt cause is set if the interrupt is generated by the Time Sync interrupt (See <i>TSICR</i> and <i>TSIM</i> registers). |
| Reserved | 21:20 | 0b | Reserved. Write 0x0, ignore on read. |
| FER | 22 | 0b | Fatal Error. This bit is set when a fatal error is detected in one of the memories. |
| Reserved | 23 | 0b | Reserved. Write 0x0, ignore on read. |
| PCI Exception | 24 | 0b | The PCI timeout exception is activated by one of the following events when the specific PCI event is reported in the PICAUSE register and the appropriate bit in the PIENA register is set: <ol style="list-style-type: none"> 1. I/O completion abort. 2. Unsupported I/O request (wrong address). 3. Byte-enable error - Access to the client that does not support partial BE access (All but Flash, MSIX and the PCIe target). 4. Timeout occurred in the FUNC block. 5. BME of the PF is cleared. |



| Field | Bit(s) | Initial Value | Description |
|-------------|--------|---------------|--|
| SCE | 25 | 0b | DMA Coalescing Clock Control Event. This bit is set when the multicast or broadcast DMA coalescing clock control mechanism is activated or de-activated. |
| Software WD | 26 | 0b | Software Watchdog. This bit is set after a software watchdog timer times out. |
| Reserved | 27 | 0b | Reserved. Write 0x0, ignore on read. |
| Reserved | 28 | 0b | Reserved. |
| TCP Timer | 29 | 0b | TCP Timer Interrupt. Activated when the TCP timer reaches its terminal count. |
| DRSTA | 30 | 0b | Device Reset Asserted. Indicates <i>CTRL.DEV_RST</i> was asserted. When a device reset occurs, the port should re-initialize registers and descriptor rings. Note: This bit is not reset by device reset (<i>CTRL.DEV_RST</i>). |
| INTA | 31 | 0b | Interrupt Asserted. Indicates that the INT line is asserted. Can be used by the software device driver in a shared interrupt scenario to decide if the received interrupt was emitted by the I210. This bit is not valid in MSI/MSI-X environments. |

8.8.10 Interrupt Cause Set Register - ICS (0x1504; WO)

Software uses this register to set an interrupt condition. Any bit written with a 1b sets the corresponding interrupt. This results in the corresponding bit being set in the Interrupt Cause Read Register (refer to [Section 8.8.9](#)). A PCIe interrupt is generated if one of the bits in this register is set and the corresponding interrupt is enabled through the Interrupt Mask Set/Read Register (refer to [Section 8.8.11](#)). Bits written with 0b are unchanged. Refer to [Section 7.3.3](#) for additional information.

| Field | Bit(s) | Initial Value | Description |
|-----------|--------|---------------|--|
| TXDW | 0 | 0b | Sets the Transmit Descriptor Written Back Interrupt. |
| Reserved | 1 | 0b | Reserved. Write 0b, ignore on read. |
| LSC | 2 | 0b | Sets the Link Status Change Interrupt. |
| Reserved | 3 | 0b | Reserved. Write 0x0, ignore on read. |
| RXDMT0 | 4 | 0b | Sets the Receive Descriptor Minimum Threshold Hit Interrupt. |
| Reserved | 5 | 0b | Reserved. Write 0x0, ignore on read. |
| Rx Miss | 6 | 0b | Sets the Rx Miss Interrupt. |
| RXDW | 7 | 0b | Sets the Receiver Descriptor Write Back Interrupt. |
| Reserved | 9:8 | 0b | Reserved. Write 0b, ignore on read. |
| GPHY | 10 | 0b | Sets the internal 1000/100/10BASE-T PHY interrupt. |
| GPI_SDP0 | 11 | 0b | Sets the General Purpose interrupt, related to SDP0 pin. |
| GPI_SDP1 | 12 | 0b | Sets the General Purpose interrupt, related to SDP1 pin. |
| GPI_SDP2 | 13 | 0b | Sets the General Purpose interrupt, related to SDP2 pin. |
| GPI_SDP3 | 14 | 0b | Sets the General Purpose interrupt, related to SDP3 pin. |
| Reserved | 17:15 | 0x0 | Reserved. Write 0x0, ignore on read. |
| MNG | 18 | 0b | Sets the Management Event Interrupt. |
| Time_Sync | 19 | 0b | Sets the Time_Sync interrupt. |



| Field | Bit(s) | Initial Value | Description |
|---------------|--------|---------------|--|
| Reserved | 21:20 | 0x0 | Reserved. Write 0x0, ignore on read. |
| FER | 22 | 0b | Sets the Fatal Error interrupt. |
| Reserved | 23 | 0b | Reserved. Write 0b, ignore on read. |
| PCI Exception | 24 | 0b | Sets the PCI Exception interrupt. |
| SCE | 25 | 0b | Sets the DMA Coalescing Clock Control Event interrupt. |
| Software WD | 26 | 0b | Sets the Software Watchdog interrupt. |
| Reserved | 27 | 0b | Reserved. Write 0b, ignore on read. |
| Reserved | 28 | 0b | Reserved. |
| TCP Timer | 29 | 0b | Sets the TCP timer interrupt. |
| DRSTA | 30 | 0b | Sets the Device Reset Asserted Interrupt. Note that when setting this bit a DRSTA interrupt is generated on this port only. |
| Reserved | 31 | 0b | Reserved. Write 0b, ignore on read. |

8.8.11 Interrupt Mask Set/Read Register - IMS (0x1508; R/W)

Reading this register returns bits that have an interrupt mask set. An interrupt is enabled if its corresponding mask bit is set to 1b and disabled if its corresponding mask bit is set to 0b. A PCIe interrupt is generated each time one of the bits in this register is set and the corresponding interrupt condition occurs. The occurrence of an interrupt condition is reflected by having a bit set in the Interrupt Cause Read register (refer to [Section 8.8.9](#)).

A particular interrupt can be enabled by writing a 1b to the corresponding mask bit in this register. Any bits written with a 0b are unchanged. As a result, if software desires to disable a particular interrupt condition that had been previously enabled, it must write to the Interrupt Mask Clear Register (refer to [Section 8.8.12](#)) rather than writing a 0b to a bit in this register. Refer to [Section 7.3.3](#) for additional information.

| Field | Bit(s) | Initial Value | Description |
|----------|--------|---------------|---|
| TXDW | 0 | 0b | Sets/reads the mask for Transmit Descriptor Written Back interrupt. |
| Reserved | 1 | 0b | Reserved. Write 0b, ignore on read. |
| LSC | 2 | 0b | Sets/Reads the mask for Link Status Change interrupt. |
| Reserved | 3 | 0b | Reserved. Write 0b, ignore on read. |
| RXDMT0 | 4 | 0b | Sets/reads the mask for Receive Descriptor Minimum Threshold Hit interrupt. |
| Reserved | 5 | 0b | Reserved. Write 0b, ignore on read. |
| Rx Miss | 6 | 0b | Sets/reads the mask for the Rx Miss interrupt. |
| RXDW | 7 | 0b | Sets/reads the mask for Receiver Descriptor Write Back interrupt. |
| Reserved | 9:8 | 0b | Reserved. Write 0b, ignore on read. |
| GPHY | 10 | 0b | Sets/Reads the mask for Internal 1000/100/10BASE-T PHY interrupt. |
| GPI_SDPO | 11 | 0b | Sets/Reads the mask for General Purpose Interrupt, related to SDPO pin. |



| Field | Bit(s) | Initial Value | Description |
|---------------|--------|---------------|---|
| GPI_SDP1 | 12 | 0b | Sets/Reads the mask for General Purpose Interrupt, related to SDP1 pin. |
| GPI_SDP2 | 13 | 0b | Sets/Reads the mask for General Purpose Interrupt, related to SDP2 pin. |
| GPI_SDP3 | 14 | 0b | Sets/Reads the mask for General Purpose Interrupt, related to SDP3 pin. |
| Reserved | 17:15 | 0x0 | Reserved. Write 0x0, ignore on read. |
| MNG | 18 | 0b | Sets/reads the mask for Management Event interrupt. |
| Time_Sync | 19 | 0b | Sets/reads the mask for Time_Sync interrupt. |
| Reserved | 20 | 0b | Reserved. Write 0b, ignore on read. |
| Reserved | 21 | 0b | Reserved. Write 0b, ignore on read. |
| FER | 22 | 0b | Sets/reads the mask for the Fatal Error interrupt. |
| Reserved | 23 | 0b | Reserved. Write 0b, ignore on read. |
| PCI Exception | 24 | 0b | Sets/reads the mask for the PCI Exception interrupt. |
| SCE | 25 | 0b | Sets/reads the mask for the DMA Coalescing Clock Control Event interrupt. |
| Software WD | 26 | 0b | Sets/reads the mask for the Software Watchdog interrupt. |
| Reserved | 28 | 0b | Reserved. Write 0b, ignore on read. |
| TCP Timer | 29 | 0b | Sets/reads the mask for TCP timer interrupt. |
| DRSTA | 30 | 0b | Sets/reads the mask for Device Reset Asserted interrupt. Note: Bit is not reset by device reset (CTRL.DEV_RST). |
| Reserved | 31 | 0b | Reserved. Write 0b, ignore on read. |

8.8.12 Interrupt Mask Clear Register - IMC (0x150C; WO)

Software uses this register to disable an interrupt. Interrupts are presented to the bus interface only when the mask bit is set to 1b and the cause bit set to 1b. The status of the mask bit is reflected in the Interrupt Mask Set/Read register (refer to [Section 8.8.11](#)), and the status of the cause bit is reflected in the Interrupt Cause Read register (refer to [Section 8.8.9](#)). Reading this register returns the value of the IMS register.

Software blocks interrupts by clearing the corresponding mask bit. This is accomplished by writing a 1b to the corresponding bit in this register. Bits written with 0b are unchanged (their mask status does not change).

Software device driver should set all the bits in this register related to the current interrupt request when handling interrupts, even though the interrupt was triggered by part of the causes that were allocated to this vector. Refer to [Section 7.3.3](#) for additional information.

| Field | Bit(s) | Initial Value | Description |
|----------|--------|---------------|---|
| TXDW | 0 | 0b | Clears the mask for Transmit Descriptor Written Back interrupt. |
| Reserved | 1 | 0b | Reserved. Write 0b, ignore on read. |
| LSC | 2 | 0b | Clears the mask for Link Status Change interrupt. |
| Reserved | 3 | 0b | Reserved. Write 0b, ignore on read. |



| Field | Bit(s) | Initial Value | Description |
|---------------|--------|---------------|---|
| RXDMT0 | 4 | 0b | Clears the mask for Receive Descriptor Minimum Threshold Hit interrupt. |
| Reserved | 5 | 0b | Reserved. Write 0b, ignore on read. |
| Rx Miss | 6 | 0b | Clears the mask for the Rx Miss interrupt. |
| RXDW | 7 | 0b | Clears the mask for the Receiver Descriptor Write Back interrupt. |
| Reserved | 9:8 | 0b | Reserved. Write 0b, ignore on read. |
| GPHY | 10 | 0b | Clears the mask for the Internal 1000/100/10BASE-T PHY interrupt. |
| GPI_SDP0 | 11 | 0b | Clears the mask for the General Purpose interrupt, related to SDP0 pin. |
| GPI_SDP1 | 12 | 0b | Clears the mask for the General Purpose interrupt, related to SDP1 pin. |
| GPI_SDP2 | 13 | 0b | Clears the mask for the General Purpose interrupt, related to SDP2 pin. |
| GPI_SDP3 | 14 | 0b | Clears the mask for the General Purpose interrupt, related to SDP3 pin. |
| Reserved | 17:15 | 0x0 | Reserved. Write 0x0, ignore on read. |
| MNG | 18 | 0b | Clears the mask for the Management Event interrupt. |
| Time_Sync | 19 | 0b | Clears the mask for the Time_Sync interrupt. |
| Reserved | 20 | 0b | Reserved. Write 0b, ignore on read. |
| Reserved | 21 | 0b | Reserved. Write 0b, ignore on read. |
| FER | 22 | 0b | Clears the mask for the Fatal Error interrupt. |
| Reserved | 23 | 0b | Reserved. Write 0b, ignore on read. |
| PCI Exception | 24 | 0b | Clears the mask for the PCI Exception interrupt. |
| SCE | 25 | 0b | Clears the mask for the DMA Coalescing Clock Control Event interrupt. |
| Software WD | 26 | 0b | Clears the mask for Software Watchdog Interrupt. |
| Reserved | 28:27 | 0b | Reserved. Write 0b, ignore on read. |
| TCP timer | 29 | 0b | Clears the mask for TCP timer interrupt. |
| DRSTA | 30 | 0b | Clears the mask for Device Reset Asserted interrupt. |
| Reserved | 31 | 0b | Reserved. Write 0b, ignore on read. |

8.8.13 Interrupt Acknowledge Auto Mask Register - IAM (0x1510; R/W)

| Field | Bit(s) | Initial Value | Description |
|-----------|--------|---------------|--|
| IAM_VALUE | 30:0 | 0x0 | An <i>ICR</i> read or write has the side effect of writing the contents of this register to the IMC register. If <i>GPIE.NSICR</i> = 0b, then the copy of this register to the IMC register occurs only if at least one bit is set in the IMS register and there is a true interrupt as reflected in the <i>ICR.INTA</i> bit. Refer to Section 7.3.3 for additional information. Note: Note: Bit 30 of this register is not reset by device reset (<i>CTRL.DEV_RST</i>). |
| Reserved | 31 | 0b | Reserved. Write 0b, ignore on read. |



8.8.14 Interrupt Throttle - EITR (0x1680 + 4*n [n = 0...4]; R/W)

Each EITR is responsible for an interrupt cause (RXTxQ, TCP timer and Other Cause). The allocation of EITR-to-interrupt cause is through the IVAR registers.

Software uses this register to pace (or even out) the delivery of interrupts to the host processor. This register provides a guaranteed inter-interrupt delay between interrupts asserted by the I210, regardless of network traffic conditions. To independently validate configuration settings, software can use the following algorithm to convert the inter-interrupt interval value to the common interrupts/sec. performance metric:

$$\text{interrupts/sec} = (1 * 10^{-6}\text{sec} * \text{interval})^{-1}$$

A counter counts in units of $1 * 10^{-6}$ sec. After counting interval number of units, an interrupt is sent to the software. The previous equation gives the number of interrupts per second. The equation that follows is the time in seconds between consecutive interrupts.

For example, if the interval is programmed to 125 (decimal), the I210 guarantees the processor does not receive an interrupt for 125 μ s from the last interrupt. The maximum observable interrupt rate from the I210 should never exceed 8000 interrupts/sec.

Inversely, inter-interrupt interval value can be calculated as:

$$\text{inter-interrupt interval} = (1 * 10^{-6}\text{sec} * \text{interrupt/sec})^{-1}$$

The optimum performance setting for this register is very system and configuration specific. An initial suggested range is 2 to 175 (0x02 to 0xAF).

Note: Setting EITR to a non-zero value can cause an interrupt cause Rx/Tx statistics miscount.

| Field | Bit(s) | Initial Value | Description |
|--------------------------|--------|---------------|--|
| Reserved | 1:0 | 0x0 | Reserved. Write 0x0, ignore on read. |
| Interval | 14:2 | 0x0 | Minimum Inter-interrupt Interval. The interval is specified in 1 μ s increments. A null value is not a valid setting. |
| LLI_EN | 15 | 0b | LLI moderation enable. |
| LL Counter (RWM) | 20:16 | 0x0 | Reflects the current credits for that EITR for LL interrupts. If the <i>CNT_INGR</i> is not set, this counter can be directly written by software at any time to alter the throttles performance |
| Moderation Counter (RWM) | 30:21 | 0x0 | Down counter, exposes only the 10 most significant bits of the real 12-bit counter. Loaded with interval value each time the associated interrupt is signaled. Counts down to zero and stops. The associated interrupt is signaled each time this counter is zero and an associated (via the Interrupt Select register) <i>EICR</i> bit is set. If the <i>CNT_INGR</i> is not set, this counter can be directly written by software at any time to alter the throttles performance. |
| CNT_INGR (WO) | 31 | 0b | When set, hardware does not override the counters fields (ITR counter and LLI credit counter), so they keep their previous value. Relevant for the current write only and is always read as zero. |

Note: The EITR register and interrupt mechanism is not reset by device reset (*CTRL.DEV_RST*). Occurrence of device reset interrupt causes immediate generation of all pending interrupts.



8.8.15 Interrupt Vector Allocation Registers - IVAR (0x1700 + 4*n [n=0...1]; RW)

These registers have two modes of operation:

1. In MSI-X mode, these registers define the allocation of the different interrupt causes as defined in Table 7-50 to one of the MSI-X vectors. Each *INT_Alloc[i]* (i=0...7) field is a byte indexing an entry in the MSI-X Table Structure and MSI-X PBA Structure.
2. In non MSI-X mode, these registers define the allocation of the Rx and Tx queues interrupt causes to one of the RxTxQ bits in the *EICR* register. Each *INT_Alloc[i]* (i=...7) field is a byte indexing the appropriate RxTxQ bit as defined in Table 7-49.

| Field | Bit(s) | Initial Value | Description |
|------------------|--------|---------------|--|
| INT_Alloc[4*n] | 2:0 | 0x0 | Defines the MSI-X vector assigned to Rx0 or Rx2 for IVAR[0] or IVAR[1], respectively. Valid values are 0 to 4 for MSI-X mode and 0 to 3 in non-MSI-X mode. |
| Reserved | 6:3 | 0x0 | Reserved. Write 0x0, ignore on read. |
| INT_Alloc[4*n] | 7 | 0b | Valid bit for INT_Alloc[4*n]. |
| INT_Alloc[4*n+1] | 10:8 | 0x0 | Defines the MSI-X vector assigned to Tx0 or Tx2 for IVAR[0] or IVAR[1], respectively. Valid values are 0 to 4 for MSI-X mode and 0 to 3 in non-MSI-X mode. |
| Reserved | 14:11 | 0x0 | Reserved. Write 0x0, ignore on read. |
| INT_Alloc[4*n+1] | 15 | 0b | Valid bit for INT_Alloc[4*n+1]. |
| INT_Alloc[4*n+2] | 18:16 | 0x0 | Defines the MSI-X vector assigned to Rx1 or Rx3 for IVAR[0] or IVAR[1], respectively. Valid values are 0 to 4 for MSI-X mode and 0 to 3 in non-MSI-X mode. |
| Reserved | 22:19 | 0x0 | Reserved. Write 0x0, ignore on read. |
| INT_Alloc[4*n+2] | 23 | 0b | Valid bit for INT_Alloc[4*n+2]. |
| INT_Alloc[4*n+3] | 26:24 | 0x0 | Defines the MSI-X vector assigned to Tx1 or Tx3 for IVAR[0] or IVAR[1], respectively. Valid values are 0 to 4 for MSI-X mode and 0 to 3 in non-MSI-X mode. |
| Reserved | 30:27 | 0x0 | Reserved. Write 0x0, ignore on read. |
| INT_Alloc[4*n+3] | 31 | 0b | Valid bit for INT_Alloc[4*n+3]. |

Note: If invalid values are written to the INT_Alloc fields the result is unexpected.

8.8.16 Interrupt Vector Allocation Registers - MISC IVAR_MISC (0x1740; RW)

This register is used only in MSI-X mode. This register defines the allocation of the Other Cause and TCP Timer interrupts to one of the MSI-X vectors.

| Field | Bit(s) | Initial Value | Description |
|--------------|--------|---------------|--|
| INT_Alloc[8] | 2:0 | 0x0 | Defines the MSI-X vector assigned to the TCP timer interrupt cause. Valid values are 0 to 4. |
| Reserved | 6:3 | 0x0 | Reserved. Write 0x0, ignore on read. |
| INT_Alloc[8] | 7 | 0b | Valid bit for INT_Alloc[8]. |



| Field | Bit(s) | Initial Value | Description |
|--------------|--------|---------------|--|
| INT_Alloc[9] | 10:8 | 0x0 | Defines the MSI-X vector assigned to the Other Cause interrupt. Valid values are 0 to 4. |
| Reserved | 14:11 | 0x0 | Reserved. Write 0x0, ignore on read. |
| INT_Alloc[9] | 15 | 0b | Valid bit for INT_Alloc[9]. |
| Reserved | 31:16 | 0x0 | Reserved. Write 0x0, ignore on read. |

8.8.17 General Purpose Interrupt Enable - GPIE (0x1514; RW)

| Field | Bit(s) | Initial Value | Description |
|---------------|--------|---------------|---|
| NSICR | 0 | 0b | Non Selective Interrupt Clear on Read. When set, every read of ICR clears it. When this bit is cleared, an ICR read causes it to be cleared only if an actual interrupt was asserted or <i>IMS</i> = 0x0. Refer to Section 7.3.3 for additional information. |
| Reserved | 3:1 | 0x0 | Reserved. Write 0x0, ignore on read. |
| Multiple MSIX | 4 | 0b | 0b = In MSI or MSI-X mode, with a single vector, <i>IVAR</i> maps Rx/Tx causes to 4 EICR bits but MSIX[0] is asserted for all. 1b = MSIX mode, <i>IVAR</i> maps Rx/Tx causes, TCP Timer and Other Cause interrupts to 5 MSI-x vectors reflected in 5 <i>EICR</i> bits. Note: When set, the EICR register is not cleared on read. |
| Reserved | 6:5 | 0x0 | Reserved. Write 0x0, ignore on read. |
| LL Interval | 11:7 | 0x0 | Low Latency Credits Increment Rate. The interval is specified in 4 μ s increments. Note: When LLI moderation is enabled (LLI_EN bit set), this field shall be set with a value different than 0x0. |
| Reserved | 29:12 | 0x0 | Reserved. Write 0x0, ignore on read. |
| EIAME | 30 | 0b | Extended Interrupt Auto Mask Enable. When set (usually in MSI-X mode) and after sending a MSI-X message, if bits in the EIAME register associated with this message are set, then the corresponding bits in the EIMS register are cleared. Otherwise, EIAME is used only after reading or writing the EICR/EICS registers. Note: When this bit is set in MSI mode, setting of any bit in the EIAME register causes the clearing of all bits in the EIMS register and masking of all interrupts after generating a MSI interrupt. |
| PBA_support | 31 | 0b | PBA Support. When set, setting one of the extended interrupts masks via EIMS causes the <i>PBA</i> bit of the associated MSI-X vector to be cleared. Otherwise, the I210 behaves in a way that supports legacy INT-x interrupts. Note: Should be cleared when working in INT-x or MSI mode and set in MSI-X mode. |

8.9 MSI-X Table Register Descriptions

These registers are used to configure the MSI-X mechanism. The Message Address and Message Upper Address registers set the address for each of the vectors. The message register sets the data sent to the relevant address. The vector control registers are used to enable specific vectors.



The pending bit array register indicates which vectors have pending interrupts. The structure is listed in Table 8-22.

Table 8-22. MSI-X Table Structure

| DWORD3 MSIXVCTRL | DWORD2 MSIXMSG | DWORD1 MSIXTUADD | DWORD0 MSIXTADD | Entry Number | BAR 3 - Offset |
|---------------------|-------------------|---------------------|--------------------|-----------------|------------------|
| Vector Control | Msg Data | Msg Upper Addr | Msg Addr | Entry 0 | Base (0x0000) |
| Vector Control | Msg Data | Msg Upper Addr | Msg Addr | Entry 1 | Base + 1*16 |
| Vector Control | Msg Data | Msg Upper Addr | Msg Addr | Entry 2 | Base + 2*16 |
| ... | ... | ... | ... | ... | ... |
| Vector Control | Msg Data | Msg Upper Addr | Msg Addr | Entry (N-1) | Base + (N-1) *16 |

Note: N = 5.

Table 8-23. MSI-X PBA Structure

| MSIXPBA[63:0] | Qword Number | BAR 3 - Offset |
|--|---------------------|-------------------------|
| Pending Bits 0 through 63 | QWORD0 | Base (0x2000) |
| Pending Bits 64 through 127 | QWORD1 | Base+1*8 |
| ... | ... | ... |
| Pending Bits ((N-1) div 64)*64 through N-1 | QWORD((N-1) div 64) | BASE + ((N-1) div 64)*8 |

Note: N = 5. As a result, only Qword0 is implemented.

8.9.1 MSI-X Table Entry Lower Address - MSIXTADD (BAR3: 0x0000 + 0x10*n [n=0...4]; R/W)

| Field | Bit(s) | Initial Value | Description |
|--------------------------|--------|---------------|--|
| Message Address LSB (RO) | 1:0 | 0x0 | For proper Dword alignment, software must always write 0b,Ås to these two bits. Otherwise, the result is undefined. |
| Message Address | 31:2 | 0x0 | System-Specific Message Lower Address. For MSI-X messages, the contents of this field from an MSI-X table entry specifies the lower portion of the Dword-aligned address for the memory write transaction. |

8.9.2 MSI-X Table Entry Upper Address - MSIXTUADD (BAR3: 0x0004 + 0x10*n [n=0...4]; R/W)

| Field | Bit(s) | Initial Value | Description |
|-----------------|--------|---------------|--|
| Message Address | 31:0 | 0x0 | System-Specific Message Upper Address. |



8.9.3 MSI-X Table Entry Message - MSIXTMSG (BAR3: 0x0008 + 0x10*n [n=0...4]; R/W)

| Field | Bit(s) | Initial Value | Description |
|--------------|--------|---------------|---|
| Message Data | 31:0 | 0x0 | System-Specific Message Data. For MSI-X messages, the contents of this field from an MSI-X table entry specifies the data written during the memory write transaction. In contrast to message data used for MSI messages, the low-order message data bits in MSI-X messages are not modified by the function. |

8.9.4 MSI-X Table Entry Vector Control - MSIXTVCTRL (BAR3: 0x000C + 0x10*n [n=0...4]; R/W)

| Field | Bit(s) | Initial Value | Description |
|----------|--------|---------------|--|
| Mask | 0 | 1b | When this bit is set, the function is prohibited from sending a message using this MSI-X table entry. However, any other MSI-X table entries programmed with the same vector are still capable of sending an equivalent message unless they are also masked. |
| Reserved | 31:1 | 0x0 | Reserved. Write 0x0, ignore on read. |

8.9.5 MSIXPBA Bit Description – MSIXPBA (BAR3: 0x2000; RO)

| Field | Bit(s) | Initial Value | Description |
|--------------|--------|---------------|--|
| Pending Bits | 4:0 | 0x0 | For each pending bit that is set, the function has a pending message for the associated MSI-X table entry. Pending bits that have no associated MSI-X table entry are reserved. |
| Reserved | 31:5 | 0x0 | Reserved. Write 0x0, ignore on read. |

8.9.6 MSI-X PBA Clear – PBA CLR (0x5B68; R/W1C)

| Field | Bit(s) | Initial Value | Description |
|-----------|--------|---------------|---|
| PENBITCLR | 4:0 | 0x0 | MSI-X Pending bits Clear. Writing a 1b to any bit clears the corresponding MSIXPBA bit; writing a 0b has no effect. <i>Note:</i> Bits are set for a single PCIe clock cycle and then cleared. |
| Reserved | 31:5 | 0x0 | Reserved. Write 0x0, ignore on read. |



8.10 Receive Register Descriptions

8.10.1 Receive Control Register - RCTL (0x0100; R/W)

| Field | Bit(s) | Initial Value | Description |
|----------|--------|---------------|---|
| Reserved | 0 | 0b | Reserved. Write 0b, ignore on read. |
| RXEN | 1 | 0b | Receiver Enable. The receiver is enabled when this bit is set to 1b. Writing this bit to 0b stops reception after receipt of any in progress packet. All subsequent packets are then immediately dropped until this bit is set to 1b. |
| SBP | 2 | 0b | Store Bad Packets 0b = Do not store. 1b = Store bad packets. This bit controls the MAC receive behavior. A packet is required to pass the address (or normal) filtering before the <i>SBP</i> bit becomes effective. If <i>SBP</i> = 0b, then all packets with layer 1 or 2 errors are rejected. The appropriate statistic would be incremented. If <i>SBP</i> = 1b, then these packets are received (and transferred to host memory). The receive descriptor error field (RDESC.ERRORS) should have the corresponding bit(s) set to signal the software device driver that the packet is erred. In some operating systems the software device driver passes this information to the protocol stack. In either case, if a packet only has layer 3+ errors, such as IP or TCP checksum errors, and passes other filters, the packet is always received (layer 3+ errors are not used as a packet filter). Note: Symbol errors before the SFD are ignored. Any packet must have a valid SFD (RX_DV with no RX_ER in 10/100/1000BASE-T mode) in order to be recognized by the I210 (even bad packets). Also, erred packets are not routed to the MNG even if this bit is set. |
| UPE | 3 | 0b | Unicast Promiscuous Enabled. 0b = Disabled. 1b = Enabled. |
| MPE | 4 | 0b | Multicast Promiscuous Enabled. 0b = Disabled. 1b = Enabled. |
| LPE | 5 | 0b | Long Packet Reception Enable. 0b = Disabled. 1b = Enabled. LPE controls whether long packet reception is permitted. If LPE is 0b, hardware discards long packets over 1518, 1522 or 1526 bytes depending on the <i>CTRL_EXT.EXT_VLAN</i> bit and the detection of a VLAN tag in the packet. If LPE is 1b, the maximum packet size that the I210 can receive is defined in the <i>RLPML.RLPML</i> register. |
| LBM | 7:6 | 00b | Loopback Mode. Controls the loopback mode of the I210. 00b = Normal operation (or PHY loopback in 10/100/1000BASE-T mode). 01b = MAC loopback (test mode). 10b = Undefined. 11b = Loopback via internal SerDes (SerDes/SGMII/KX mode only). When using the internal PHY, LBM should remain set to 00b and the PHY instead configured for loopback through the MDIO interface. Note: PHY devices require programming for loopback operation using MDIO accesses. |
| Reserved | 11:8 | 0x0 | Reserved. Write 0x0, ignore on read. |



| Field | Bit(s) | Initial Value | Description |
|----------|--------|---------------|---|
| MO | 13:12 | 00b | Multicast Offset. Determines which bits of the incoming multicast address are used in looking up the bit vector. 00b = bits [47:36] of received destination multicast address. 01b = bits [46:35] of received destination multicast address. 10b = bits [45:34] of received destination multicast address. 11b = bits [43:32] of received destination multicast address. |
| Reserved | 14 | 0b | Reserved. Write 0b, ignore on read. |
| BAM | 15 | 0b | Broadcast Accept Mode. 0b = Ignore broadcast (unless it matches through exact or imperfect filters). 1b = Accept broadcast packets. |
| BSIZE | 17:16 | 00b | Receive Buffer Size. BSIZE controls the size of the receive buffers and permits software to trade-off descriptor performance versus required storage space. Buffers that are 2048 bytes require only one descriptor per receive packet maximizing descriptor efficiency. 00b = 2048 Bytes. 01b = 1024 Bytes. 10b = 512 Bytes. 11b = 256 Bytes. Notes: 1. BSIZE should not be modified when RXEN is set to 1b. Set RXEN = 0b when modifying the buffer size by changing this field. 2. BSIZE value only defines receive buffer size of queues with a <i>SRRCTL.BSIZEPACKET</i> value of 0b. |
| VFE | 18 | 0b | VLAN Filter Enable. 0b = Disabled (filter table does not decide packet acceptance). 1b = Enabled (filter table decides packet acceptance for 802.1Q packets). Three bits [20:18] control the VLAN filter table. The first determines whether the table participates in the packet acceptance criteria. The next two are used to decide whether the CFI bit found in the 802.1Q packet should be used as part of the acceptance criteria. |
| CFIEN | 19 | 0b | Canonical Form Indicator Enable. 0b = Disabled (CFI bit found in received 802.1Q packet's tag is not compared to decide packet acceptance). 1b = Enabled (CFI bit found in received 802.1Q packet's tag must match <i>RCTL.CFI</i> to accept 802.1Q type packet). |
| CFI | 20 | 0b | Canonical Form Indicator Bit Value 0b = 802.1Q packets with CFI equal to this field are accepted. 1b = 802.1Q packet is discarded. |
| PSP | 21 | 0b | Pad Small Receive Packets. If this field is set, <i>RCTL.SECRC</i> should be set. |
| DPF | 22 | 1b | Discard Pause Frames. Controls whether pause frames are forwarded to the host. 0b = incoming pause frames are forwarded to the host. 1b = incoming pause frames are discarded. |
| PMCF | 23 | 0b | Pass MAC Control Frames. Filters out unrecognized pause and other control frames. 0b = Filter MAC Control frames. 1b = Pass/forward MAC control frames to the Host that are not XON/XOFF flow control packets. The <i>PMCF</i> bit controls the DMA function of the MAC control frames (other than flow control). A MAC control frame in this context must be addressed to either the MAC control frame multicast address or the station address, match the type field, and NOT match the PAUSE opcode of 0x0001. If <i>PMCF</i> = 1b then frames meeting this criteria are transferred to host memory. |



| Field | Bit(s) | Initial Value | Description |
|----------|--------|---------------|--|
| Reserved | 25:24 | 0x0 | Reserved. Write 0x0, ignore on read. |
| SECRC | 26 | 0b | Strip Ethernet CRC From Incoming Packet Causes the CRC to be stripped from all packets. 0b = Does not strip CRC. 1b = Strips CRC. This bit controls whether the hardware strips the Ethernet CRC from the received packet. This stripping occurs prior to any checksum calculations. The stripped CRC is not transferred to host memory and is not included in the length reported in the descriptor. Notes: 1. If the <i>CTRL.VME</i> bit is set the <i>RCTL.SECRC</i> bit should also be set as the CRC is not valid anymore. 2. Even when this bit is set, CRC strip is not done on runt packets (smaller than 64 bytes). |
| Reserved | 31:27 | 0x0 | Reserved. Write 0x0, ignore on read. |

8.10.2 Split and Replication Receive Control - SRRCTL (0xC00C + 0x40*n [n=0...3]; R/W)

| Field | Bit(s) | Initial Value | Description |
|-------------|--------|---------------|---|
| BSIZEPACKET | 6:0 | 0x0 | Receive Buffer Size for Packet Buffer. The value is in 1 KB resolution. Valid values can be from 1 KB to 16 KB. Default buffer size is 0 KB. If this field is equal 0x0, then <i>RCTL.BSIZE</i> determines the packet buffer size. |
| DMACQ_Dis | 7 | 0b | DMA Coalescing Disable. 0b= Enable DMA coalescing on this queue if <i>DMACR.DMAC_EN</i> is set to 1b. 1b = Disable DMA coalescing on this queue. When a packet is destined to this queue and the device is in coalescing mode, coalescing mode is exited immediately and PCIe moves to the L0 link power management state. |
| BSIZEHEADER | 13:8 | 0x4 | Receive Buffer Size for Header Buffer. The value is in 64 bytes resolution. Valid value can be from 64 bytes to 2048 bytes (<i>BSIZEHEADER</i> = 0x1 to 0x20). Default buffer size is 256 bytes. This field must be greater than 0 if the value of <i>DESCTYPE</i> is greater or equal to 2. Note: When <i>SRRCTL.Timestamp</i> is set to 1b and the value of <i>SRRCTL.DESCTYPE</i> is greater or equal to 2, <i>BSIZEHEADER</i> size should be equal or greater than 2 (128 bytes). |
| Reserved | 19:14 | 0x0 | Reserved. Write 0x0, ignore on read. |
| RDMTS | 24:20 | 0x0 | Receive Descriptor Minimum Threshold Size. A Low Latency Interrupt (LLI) associated with this queue is asserted each time the number of free descriptors becomes equal to <i>RDMTS</i> multiplied by 16. |
| DESCTYPE | 27:25 | 000b | Defines the descriptor in Rx. 000b = Legacy. 001b = Advanced descriptor one buffer. 010b = Advanced descriptor header splitting. 011b = Advanced descriptor header replication - replicate always. 100b = Advanced descriptor header replication large packet only (larger than header buffer size). Reserved. 111b = Reserved. |



| Field | Bit(s) | Initial Value | Description |
|-----------|--------|---------------|--|
| Reserved | 29:28 | 0x0 | Reserved. Write 0x0, ignore on read. |
| Timestamp | 30 | 0b | Timestamp Received Packet 0b = Do not place timestamp at the beginning of a receive buffer. 1= Place timestamp at the beginning of a receive buffer. Timestamp is placed only in buffers of received packets that meet the criteria defined in the <i>TSYNCRXCTL.Type</i> field, 2-tuple filters or <i>ETQF</i> registers. When set, the timestamp value in <i>SYSTIMH</i> and <i>SYSTIML</i> registers is placed in the receive buffer before the MAC header of the packets defined in the <i>TSYNCRXCTL.Type</i> field. |
| Drop_En | 31 | 0b/1b | Drop Enabled. If set, packets received to the queue when no descriptors are available to store them are dropped. The packet is dropped only if there are not enough free descriptors in the host descriptor ring to store the packet. If there are enough descriptors in the host, but they are not yet fetched by the I210, then the packet is not dropped and there are no release of packets until the descriptors are fetched. Default is 0b for queue 0 and 1b for the other queues. |

8.10.3 Packet Split Receive Type - PSRTYPE (0x5480 + 4*n [n=0...3]; R/W)

This register enables or disables each type of header that needs to be split or replicated (refer to [Section 7.1.5](#) for additional information on header split support). Each register controls the behavior of 1 queue.

- Packet Split Receive Type Register (queue 0) - *PSRTYPE0* (0x5480)
- Packet Split Receive Type Register (queue 1) - *PSRTYPE1* (0x5484)
- Packet Split Receive Type Register (queue 2) - *PSRTYPE2* (0x5488)
- Packet Split Receive Type Register (queue 3) - *PSRTYPE3* (0x548C)

| Field | Bit(s) | Initial Value | Description |
|------------|--------|---------------|--|
| PSR_type0 | 0 | 0b | Header includes MAC (VLAN/SNAP). |
| PSR_type1 | 1 | 1b | Header includes MAC, (VLAN/SNAP) Fragmented IPv4 only. |
| PSR_type2 | 2 | 1b | Header includes MAC, (VLAN/SNAP) IPv4, TCP only. |
| PSR_type3 | 3 | 1b | Header includes MAC, (VLAN/SNAP) IPv4, UDP only. |
| PSR_type4 | 4 | 1b | Header includes MAC, (VLAN/SNAP) IPv4, Fragmented IPv6 only. |
| PSR_type5 | 5 | 1b | Header includes MAC, (VLAN/SNAP) IPv4, IPv6, TCP only. |
| PSR_type6 | 6 | 1b | Header includes MAC, (VLAN/SNAP) IPv4, IPv6, UDP only. |
| PSR_type7 | 7 | 1b | Header includes MAC, (VLAN/SNAP) Fragmented IPv6 only. |
| PSR_type8 | 8 | 1b | Header includes MAC, (VLAN/SNAP) IPv6, TCP only. |
| PSR_type9 | 9 | 1b | Header includes MAC, (VLAN/SNAP) IPv6, UDP only. |
| Reserved_1 | 10 | 1b | Reserved. Write 1b, ignore on read. |
| PSR_type11 | 11 | 1b | Header includes MAC, (VLAN/SNAP) IPv4, TCP, NFS only. |
| PSR_type12 | 12 | 1b | Header includes MAC, (VLAN/SNAP) IPv4, UDP, NFS only. |
| Reserved_1 | 13 | 1b | Reserved. Write 1b, ignore on read. |
| PSR_type14 | 14 | 1b | Header includes MAC, (VLAN/SNAP) IPv4, IPv6, TCP, NFS only. |
| PSR_type15 | 15 | 1b | Header includes MAC, (VLAN/SNAP) IPv4, IPv6, UDP, NFS only. |



| Field | Bit(s) | Initial Value | Description |
|------------|--------|---------------|---|
| Reserved_1 | 16 | 1b | Reserved. Write 1b, ignore on read. |
| PSR_type17 | 17 | 1b | Header includes MAC, (VLAN/SNAP) IPv6, TCP, NFS only. |
| PSR_type18 | 18 | 1b | Header includes MAC, (VLAN/SNAP) IPv6, UDP, NFS only. |
| Reserved | 31:19 | 0x0 | Reserved. Write 0b, ignore on read. |

8.10.4 Receive Descriptor Base Address Low - RDBAL (0xC000 + 0x40*n [n=0...3]; R/W)

This register contains the lower bits of the 64-bit descriptor base address. The lower four bits are always ignored. The Receive Descriptor Base Address must point to a 128 byte-aligned block of data.

Note: In order to keep compatibility with previous devices, for queues 0-3, these registers are aliased to addresses 0x2800, 0x2900, 0x2A00 and 0x2B00, respectively.

| Field ¹ | Bit(s) | Initial Value | Description |
|--------------------|--------|---------------|---|
| Lower_0 | 6:0 | 0x0 | Ignored on writes. Returns 0x0 on reads. |
| RDBAL | 31:7 | X | Receive Descriptor Base Address Low. |

1. Software should program the *RDBAL[n]* register only when a queue is disabled (*RXDCTL[n].Enable* = 0b).

8.10.5 Receive Descriptor Base Address High - RDBAH (0xC004 + 0x40*n [n=0...3]; R/W)

This register contains the upper 32 bits of the 64-bit descriptor base address.

| Field ¹ | Bit(s) | Initial Value | Description |
|--------------------|--------|---------------|--|
| RDBAH | 31:0 | X | Receive Descriptor Base Address [63:32]. |

1. Software should program the *RDBAH[n]* register only when a queue is disabled (*RXDCTL[n].Enable* = 0b).

Note: In order to keep compatibility with previous devices, for queues 0-3, these registers are aliased to addresses 0x2804, 0x2904, 0x2A04 and 0x2B04, respectively.

8.10.6 Receive Descriptor Ring Length - RDLEN (0xC008 + 0x40*n [n=0...3]; R/W)

This register sets the number of bytes allocated for descriptors in the circular descriptor buffer. It must be 128-byte aligned.



| Field ¹ | Bit(s) | Initial Value | Description |
|--------------------|--------|---------------|--|
| Zero | 6:0 | 0x0 | Ignore on writes. Bits 6:0 must be set to 0x0. Bits 4:0 always read as 0x0. |
| LEN | 19:7 | 0x0 | Descriptor Ring Length (number of 8 descriptor sets). Note: Maximum allowed value in <i>RDLEN</i> field 19:0 is 0x80000 (32K descriptors). |
| Reserved | 31:20 | 0x0 | Reserved. Write 0x0, ignore on read. |

1. Software should program the *RDLEN[n]* register only when a queue is disabled (*RXDCTL[n].Enable* = 0b).

Note: In order to keep compatibility with previous devices, for queues 0-3, these registers are aliased to addresses 0x2808, 0x2908, 0x2A08 and 0x2B08, respectively.

8.10.7 Receive Descriptor Head - RDH (0xC010 + 0x40*n [n=0...3]; RO)

The value in this register might point to descriptors that are still not in host memory. As a result, the host cannot rely on this value in order to determine which descriptor to process.

| Field | Bit(s) | Initial Value | Description |
|----------|--------|---------------|---|
| RDH | 15:0 | 0x0 | Receive Descriptor Head. |
| Reserved | 31:16 | 0x0 | Reserved. Write 0x0, ignore on read. |

Note: In order to keep compatibility with previous devices, for queues 0-3, these registers are aliased to addresses 0x2810, 0x2910, 0x2A10 and 0x2B10, respectively.

8.10.8 Receive Descriptor Tail - RDT (0xC018 + 0x40*n [n=0...3]; R/W)

This register contains the tail pointers for the receive descriptor buffer. The register points to a 16-byte datum. Software writes the tail register to add receive descriptors to the hardware free list for the ring.

Note: Writing the RDT register while the corresponding queue is disabled is ignored by the I210.

In order to keep compatibility with previous devices, for queues 0-3, these registers are aliased to addresses 0x2818, 0x2918, 0x2A18 and 0x2B18, respectively.

| Field | Bit(s) | Initial Value | Description |
|----------|--------|---------------|---|
| RDT | 15:0 | 0x0 | Receive Descriptor Tail. |
| Reserved | 31:16 | 0x0 | Reserved. Write 0x0, ignore on read. |



8.10.9 Receive Descriptor Control - RXDCTL (0xC028 + 0x40*n [n=0...3]; R/W)

This register controls the fetching and write-back of receive descriptors. The three threshold values are used to determine when descriptors are read from and written to host memory. The values are in units of descriptors (each descriptor is 16 bytes).

| Field | Bit(s) | Initial Value | Description |
|----------|--------|---------------|--|
| PTHRESH | 4:0 | 0xC | <p>Prefetch Threshold</p> <p>PTHRESH is used to control when a prefetch of descriptors is considered. This threshold refers to the number of valid, unprocessed receive descriptors the I210 has in its on-chip buffer. If this number drops below PTHRESH, the algorithm considers pre-fetching descriptors from host memory. This fetch does not happen unless there are at least HTHRESH valid descriptors in host memory to fetch.</p> <p>Note: HTHRESH should be given a non zero value each time PTHRESH is used.</p> <p>Possible values for this field are 0 to 16.</p> |
| Reserved | 7:5 | 0x0 | Reserved. Write 0x0, ignore on read. |
| HTHRESH | 12:8 | 0xA | <p>Host Threshold.</p> <p>This field defines when a receive descriptor prefetch is performed. Each time enough valid descriptors, as defined in the HTHRESH field, are available in host memory a prefetch is performed.</p> <p>Possible values for this field are 0 to 16.</p> |
| Reserved | 15:13 | 0x0 | Reserved. Write 0x0, ignore on read. |
| WTHRESH | 20:16 | 0x1 | <p>Write-back Threshold.</p> <p>WTHRESH controls the write-back of processed receive descriptors. This threshold refers to the number of receive descriptors in the on-chip buffer that are ready to be written back to host memory. In the absence of external events (explicit flushes), the write-back occurs only after at least WTHRESH descriptors are available for write-back.</p> <p>Possible values for this field are 0 to 15.</p> <p>Note: Since the default value for write-back threshold is 1b, the descriptors are normally written back as soon as one cache line is available. WTHRESH must contain a non-zero value to take advantage of the write-back bursting capabilities of the I210.</p> <p>Note: It's recommended not to place a value above 0xC in the WTHRESH field.</p> |
| Reserved | 24:21 | 0x0 | Reserved. |
| ENABLE | 25 | 0b | <p>Receive Queue Enable.</p> <p>When set, the <i>Enable</i> bit enables the operation of the specific receive queue.</p> <p>1b =Enables queue. 0b =Disables queue. Setting this bit initializes the Head and Tail registers (<i>RDH[n]</i> and <i>RDT[n]</i>) of the specific queue. Until then, the state of the queue is kept and can be used for debug purposes.</p> <p>When disabling a queue, this bit is cleared only after all activity in the queue has stopped.</p> <p>Note: When receive queue is enabled and descriptors exist, descriptors are fetched immediately. Actual receive activity on the port starts only if the <i>RCTL.RXEN</i> bit is set.</p> |
| SWFLUSH | 26 | 0b | <p>Receive Software Flush.</p> <p>Enables software to trigger a receive descriptor write-back flushing, independently of other conditions.</p> <p>This bit shall be written to 1b and then to 0b after a write-back flush is triggered.</p> |
| Reserved | 31:27 | 0x0 | Reserved. |



Note: In order to keep compatibility with previous devices, for queues 0-3, these registers are aliased to addresses 0x2828, 0x2928, 0x2A28 and 0x2B28, respectively.

8.10.10 Receive Queue Drop Packet Count - RQDPC (0xC030 + 0x40*n [n=0...3]; RW)

| Field | Bit(s) | Initial Value | Description |
|-------|--------|---------------|---|
| RQDPC | 31:0 | 0x0 | Receive Queue Drop Packet Count. Counts the number of packets dropped by a queue due to lack of descriptors available. Note: Counter wraps around when reaching a value of 0xFFFFFFFF. |

Note: In order to keep compatibility with previous devices, for queues 0-3, these registers are aliased to addresses 0x2830, 0x2930, 0x2A30 and 0x2B30, respectively.

Packets dropped due to the queue being disabled might not be counted by this register.

8.10.11 Transmit Queue Drop Packet Count - TQDPC (0xE030 + 0x40*n [n=0...3]; RW)

| Field | Bit(s) | Initial Value | Description |
|-------|--------|---------------|--|
| TQDPC | 31:0 | 0x0 | Transmit Queue Drop Packet Count. Counts the number of packets dropped by a queue due to lack of space in the loopback buffer or due to security (anti-spoof) issues. A multicast packet dropped by some of the destinations, but sent to others is counted by this counter. Note: Counter wraps around when reaching a value of 0xFFFFFFFF. |

8.10.12 Receive Checksum Control - RXCSUM (0x5000; R/W)

The Receive Checksum Control register controls the receive checksum off loading features of the I210. The I210 supports the off loading of three receive checksum calculations: the Packet Checksum, the IP Header Checksum, and the TCP/UDP Checksum.

Note: This register should only be initialized (written) when the receiver is not enabled (only write this register when RCTL.RXEN = 0b)



| Field | Bit(s) | Initial Value | Description |
|------------|--------|---------------|--|
| PCSS | 7:0 | 0x0 | <p>Packet Checksum Start.</p> <p>Controls the packet checksum calculation. The packet checksum shares the same location as the RSS field and is reported in the receive descriptor when the <i>RXCSUM.PCSD</i> bit is cleared.</p> <p>If the <i>RXCSUM.IPPCSE</i> is set, the Packet checksum is aimed to accelerate checksum calculation of fragmented UDP packets. Please refer to Section 7.1.7.2 for detailed explanation. If <i>RXCSUM.IPPCSE</i> is cleared (the default value), the checksum calculation that is reported in the Rx Packet checksum field is the unadjusted 16-bit ones complement of the packet.</p> <p>The packet checksum starts from the byte indicated by <i>RXCSUM.PCSS</i> (0b corresponds to the first byte of the packet), after VLAN stripping if enabled by the <i>CTRL.VME</i>. For example, for an Ethernet II frame encapsulated as an 802.3ac VLAN packet and with <i>RXCSUM.PCSS</i> set to 14, the packet checksum would include the entire encapsulated frame, excluding the 14-byte Ethernet header (DA, SA, Type/Length) and the 4-byte VLAN tag. The packet checksum does not include the Ethernet CRC if the <i>RCTL.SECRC</i> bit is set. Software must make the required offsetting computation (to back out the bytes that should not have been included and to include the pseudo-header) prior to comparing the packet checksum against the L4 checksum stored in the packet checksum. The partial checksum in the descriptor is aimed to accelerate checksum calculation of fragmented UDP packets.</p> <p>Note: The PCSS value should point to a field that is before or equal to the IP header start. Otherwise, the IP header checksum or TCP/UDP checksum is not calculated correctly.</p> |
| IPOFLD | 8 | 1b | <p>IP Checksum Off-load Enable.</p> <p><i>RXCSUM.IPOFLD</i> is used to enable the IP Checksum off-loading feature. If <i>RXCSUM.IPOFLD</i> is set to 1b, the I210 calculates the IP checksum and indicates a pass/fail indication to software via the IP Checksum Error bit (<i>IPE</i>) in the <i>Error</i> field of the receive descriptor. Similarly, if <i>RXCSUM.TUOFLD</i> is set to 1b, the I210 calculates the TCP or UDP checksum and indicates a pass/fail indication to software via the TCP/UDP Checksum Error bit (<i>RDESC.L4E</i>).</p> <p>This applies to checksum off loading only. Supported frame types:</p> <ul style="list-style-type: none"> • Ethernet II • Ethernet SNAP |
| TUOFLD | 9 | 1b | TCP/UDP Checksum Off-load Enable. |
| ICMPv6XSUM | 10 | 1b | <p>ICMPv6 Checksum Enable.</p> <p>0b = Disable ICMPv6 checksum calculation. 1b = Enable ICMPv6 checksum calculation.</p> <p>Note: ICMPv6 checksum offload is supported only for packets sent to firmware for Proxying.</p> |
| CRCOFL | 11 | 0b | <p>CRC32 Offload Enable.</p> <p>Enables the SCTP CRC32 checksum off-loading feature. If <i>RXCSUM.CRCOFL</i> is set to 1b, the I210 calculates the CRC32 checksum and indicates a pass/fail indication to software via the CRC32 <i>Checksum Valid</i> bit (<i>RDESC.L4I</i>) in the <i>Extended Status</i> field of the receive descriptor.</p> <p>In non I/OAT, this bit is read only as 0b.</p> |
| IPPCSE | 12 | 0b | <p>IP Payload Checksum Enable.</p> <p>See PCSS description.</p> |
| PCSD | 13 | 0b | <p>Packet Checksum Disable.</p> <p>The packet checksum and IP identification fields are mutually exclusive with the RSS hash. Only one of the two options is reported in the Rx descriptor.</p> <p><i>RXCSUM.PCSD</i> Legacy Rx Descriptor (<i>SRRCTL.DESCTYPE</i> = 000b): 0b (checksum enable) = Packet checksum is reported in the Rx descriptor. 1b (checksum disable) = Not supported.</p> <p><i>RXCSUM.PCSD</i> Extended or Header Split Rx Descriptor (<i>SRRCTL.DESCTYPE</i> not equal 000b): 0b (checksum enable) = checksum and IP identification are reported in the Rx descriptor. 1b (checksum disable) = RSS Hash value is reported in the Rx descriptor.</p> |
| Reserved | 31:14 | 0x0 | <p>Reserved.</p> <p>Write 0x0, ignore on read.</p> |



8.10.13 Receive Long Packet Maximum Length - RLPML (0x5004; R/W)

| Field | Bit(s) | Initial Value | Description |
|----------|--------|---------------|---|
| RLPML | 13:0 | 0x2600 | Maximum allowed long packet length. This length is the global length of the packet including all the potential headers of suffixes in the packet. |
| Reserved | 31:14 | 0x0 | Reserved. Write 0x0, ignore on read. |

8.10.14 Receive Filter Control Register - RFCTL (0x5008; R/W)

| Field | Bit(s) | Initial Value | Description |
|--------------|--------|---------------|---|
| Reserved | 5:0 | 1b | Reserved. Write 1b, ignore on read. |
| NFSW_DIS | 6 | 0b | NFS Write Disable. Disables filtering of NFS write request headers. |
| NFSR_DIS | 7 | 0b | NFS Read Disable. Disables filtering of NFS read reply headers. |
| NFS_VER | 9:8 | 00b | NFS Version. 00b = NFS version 2. 01b = NFS version 3. 10b = NFS version 4. 11b = Reserved for future use. |
| Reserved | 10 | 0b | Reserved. |
| IPv6XSUM_DIS | 11 | 0b | IPv6 XSUM Disable. Disables XSUM on IPv6 packets. |
| Reserved | 13:12 | 0x0 | Reserved. Write 0x0, ignore on read. |
| IPFRSP_DIS | 14 | 0b | IP Fragment Split Disable. When this bit is set, the header of IP fragmented packets are not set. |
| Reserved | 17:15 | 0x0 | Reserved. Write 0x0 ignore on read. |
| LEF | 18 | 0b | Forward Length Error Packet. 0b = Packet with length error are dropped. 1b = Packets with length error are forwarded to the host. |
| SYNQFP | 19 | 0b | Defines the priority between SYNQF and 2 tuple filter. 0b = 2-tuple filter priority. 1b = SYN filter priority. |
| Reserved | 31:20 | 0x0 | Reserved. Write 0x0, ignore on read. |

8.10.15 Multicast Table Array - MTA (0x5200 + 4*n [n=0...127]; R/W)

There is one register per 32 bits of the Multicast Address Table for a total of 128 registers. Software must mask to the desired bit on reads and supply a 32-bit word on writes. The first bit of the address used to access the table is set according to the RX_CTRL.MO field.

Note: All accesses to this table must be 32 bit.

| Field | Bit(s) | Initial Value | Description |
|------------|--------|---------------|--|
| Bit Vector | 31:0 | X | Word wide bit vector specifying 32 bits in the multicast address filter table. |

Figure 8-1 shows the multicast lookup algorithm. The destination address shown represents the internally stored ordering of the received DA. Note that bit 0 indicated in this diagram is the first on the wire.

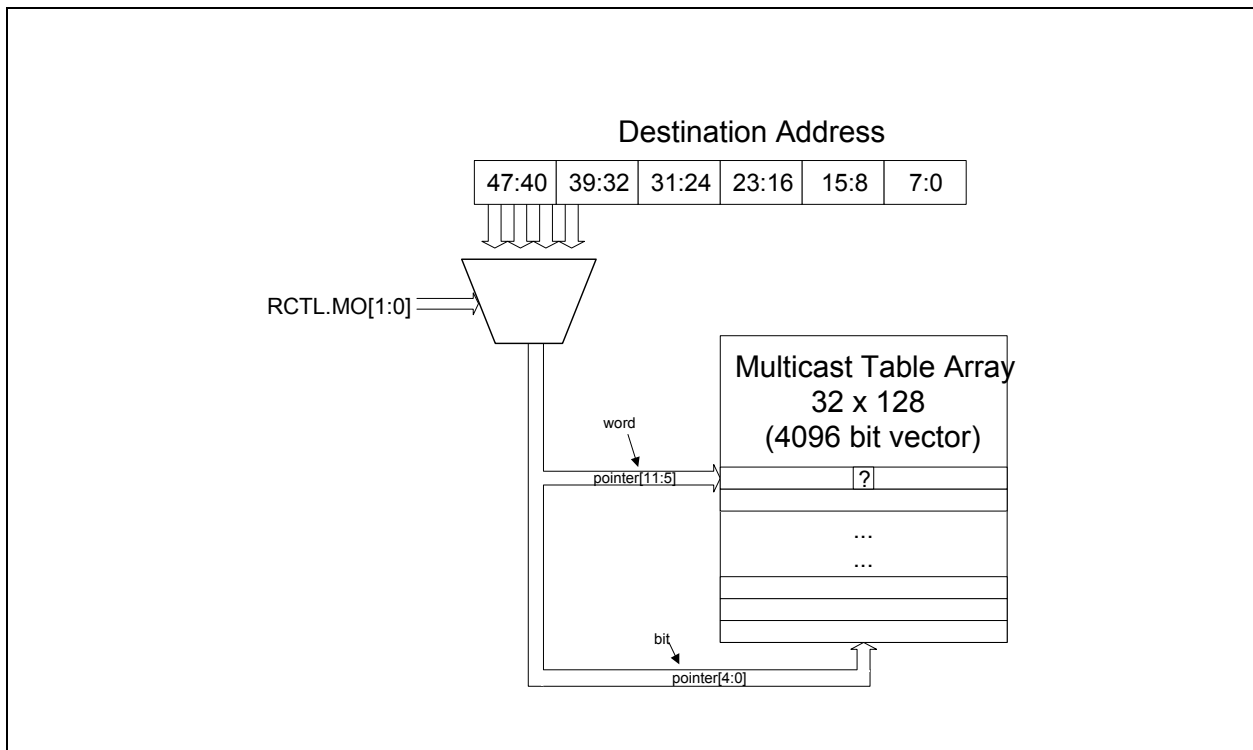


Figure 8-1. Multicast Table Array

8.10.16 Receive Address Low - RAL (0x5400 + 8*n [n=0...15]; R/W)

While “n” is the exact unicast/multicast address entry and it is equal to 0,1,...15.

These registers contain the lower bits of the 48 bit Ethernet address. All 32 bits are valid.

These registers are reset by a software reset or platform reset. If a Flash is present, the first register (RAL0) is loaded from the Flash after a software or platform reset.

Note: The RAL field should be written in network order.

| Field | Bit(s) | Initial Value | Description |
|-------|--------|---------------|---|
| RAL | 31:0 | X | Receive Address Low. Contains the lower 32-bit of the 48-bit Ethernet address. |



8.10.17 Receive Address High - RAH (0x5404 + 8*n [n=0...15]; R/W)

These registers contain the upper bits of the 48-bit Ethernet address. The complete address is [RAH, RAL]. The RAH.AV bit determines whether this address is compared against the incoming packet.

The RAH.ASEL field enables the I210 to perform special filtering on receive packets.

After reset, if a Flash is present, the first register (Receive Address Register 0) is loaded from the IA field in the Flash with its Address Select field set to 00b and its Address Valid field set to 1b. If no Flash is present, the Address Valid field is set to 0b and the Address Valid field for all of the other registers is set to 0b.

Note: The RAH field should be written in network order.

The first receive address register (RAH[0]) is also used for exact match pause frame checking (DA matches the first register). As a result, RAH[0] should always be used to store the individual Ethernet MAC address of the I210.

| Field | Bit(s) | Initial Value | Description |
|-------------|--------|---------------|--|
| RAH | 15:0 | X | Receive address High. Contains the upper 16 bits of the 48-bit Ethernet address. |
| ASEL | 17:16 | X | Address Select. Selects how the address is to be used in the address filtering. 00b = Destination address (required for normal mode). 01b = Source address. 10b = Reserved. 11b = Reserved. |
| QSEL | 19:18 | X | Queue Select. In Qav mode, indicates which Rx queue should get the packets matching this MAC address. This field maps to the relevant queue: 00b = queue0. 01b = queue1. 10b = queue2. 11b = queue3. |
| Reserved | 27:20 | 0x0 | Reserved. Write 0x0, Ignore on reads |
| QSEL Enable | 28 | X | Queue Select Enable. When set to 1b the value in the QSEL should be used as part of the queue classification algorithm. |
| Reserved | 30:29 | 0x0 | Reserved. Write 0x0, ignore on reads. |
| AV | 31 | 0x0 | Address Valid. Cleared after master reset. If a Flash is present, the Address Valid field of the Receive Address Register 0 is set to 1b after a software or PCI reset or Flash read. In entries 0-15 this bit is cleared by master reset. |



8.10.18 VLAN Priority Queue Filter VLAPQF (0x55B0;R/W)

| Field | Bit(s) | Initial Value | Description |
|----------|--------|---------------|--|
| VP0QSEL | 1:0 | 0x0 | VLAN Priority 0 Queue Selection. This field defines the target queue for packets with VLAN priority value of 0x0 and are enabled by VLANPV. |
| Reserved | 2 | 0x0 | Reserved. |
| VLANP0V | 3 | 0x0 | VLAN Priority 0 Valid. This field enables VLAN Priority 0x0 for queue selection. |
| VP1QSEL | 5:4 | 0x0 | VLAN Priority 1 Queue Selection. This field defines the target queue for packets with VLAN priority value of 0x1 and are enabled by VLANPV. |
| Reserved | 6 | 0x0 | Reserved. |
| VLANP1V | 7 | 0x0 | VLAN Priority 1 Valid. This field enables VLAN Priority 0x1 for queue selection. |
| VP2QSEL | 9:8 | 0x0 | VLAN Priority 2 Queue Selection. This field defines the target queue for packets with VLAN priority value of 0x2 and are enabled by VLANPV. |
| Reserved | 10 | 0x0 | Reserved. |
| VLANP2V | 11 | 0x0 | VLAN Priority 2 Valid. This field enables VLAN Priority 0x2 for queue selection. |
| VP3QSEL | 13:12 | 0x0 | VLAN Priority 3 Queue Selection. This field defines the target queue for packets with VLAN priority value of 0x3 and are enabled by VLANPV. |
| Reserved | 14 | 0x0 | Reserved. |
| VLANP3V | 15 | 0x0 | VLAN Priority 3 Valid. This field enables VLAN Priority 0x3 for queue selection. |
| VP4QSEL | 17:16 | 0x0 | VLAN Priority 4 Queue Selection. This field defines the target queue for packets with VLAN priority value of 0x4 and are enabled by VLANPV. |
| Reserved | 18 | 0x0 | Reserved. |
| VLANP4V | 19 | 0x0 | VLAN Priority 4 Valid. This field enables VLAN Priority 4 for queue selection. |
| VP5QSEL | 21:20 | 0x0 | VLAN Priority 5 Queue Selection. This field defines the target queue for packets with VLAN priority value of 0x5 and are enabled by VLANPV. |
| Reserved | 22 | 0x0 | Reserved. |
| VLANP5V | 23 | 0x0 | VLAN Priority 5 Valid. This field enables VLAN Priority 0x5 for queue selection. |
| VP6QSEL | 25:24 | 0x0 | VLAN Priority 6 Queue Selection. This field defines the target queue for packets with VLAN priority value of 0x6 and are enabled by VLANPV. |
| Reserved | 26 | 0x0 | Reserved. |
| VLANP6V | 27 | 0x0 | VLAN Priority 6 Valid. This field enables VLAN Priority 0x6 for queue selection. |
| VP7QSEL | 29:28 | 0x0 | VLAN Priority 7 Queue Selection. This field defines the target queue for packets with VLAN priority value of 0x7 and are enabled by VLANPV. |
| Reserved | 30 | 0x0 | Reserved. |
| VLANP7V | 31 | 0x0 | VLAN Priority 7 Valid. This field enables VLAN Priority 0x7 for queue selection. |



8.10.19 VLAN Filter Table Array - VFTA (0x5600 + 4*n [n=0...127]; R/W)

There is one register per 32 bits of the VLAN Filter Table. The size of the word array depends on the number of bits implemented in the VLAN Filter Table. Software must mask to the desired bit on reads and supply a 32-bit word on writes.

Note: All accesses to this table must be 32 bit.

The algorithm for VLAN filtering using the VFTA is identical to that used for the Multicast Table Array. Refer to [Section 8.10.15](#) for a block diagram of the algorithm. If VLANs are not used, there is no need to initialize the VFTA.

| Field | Bit(s) | Initial Value | Description |
|------------|--------|---------------|--|
| Bit Vector | 31:0 | X | Double-word wide bit vector specifying 32 bits in the VLAN Filter table. |

8.10.20 Multiple Receive Queues Command Register - MRQC (0x5818; R/W)

| Field | Bit(s) | Initial Value | Description |
|--------------------------------|--------|---------------|--|
| Multiple Receive Queues Enable | 2:0 | 0x0 | <p>Multiple Receive Queues Enable. Enables support for Multiple Receive Queues and defines the mechanism that controls queue allocation.</p> <p>000b = Multiple receive queues as defined by filters (2-tuple filters, L2 Ether-type filters, SYN filter and flex filters).</p> <p>001b = Reserved.</p> <p>010b = Multiple receive queues as defined by filters and RSS for 4 queues¹.</p> <p>011b = Reserved.</p> <p>100b = Reserved.</p> <p>101b = Reserved.</p> <p>110b = Reserved.</p> <p>111b = Reserved.</p> <p>Allowed values for this field are 000b, 010b. Any other value is ignored.</p> |



| Field | Bit(s) | Initial Value | Description |
|------------------|--------|---------------|--|
| Def_Q | 5:3 | 0x0 | Defines the default queue according to value of the <i>Multiple Receive Queues Enable</i> field. If Multiple Receive Queues Enable equals: 000b= Def_Q defines the destination of all packets not forwarded by filters. 001b= Def_Q field is ignored 010b= Def_Q defines the destination of all packets not forwarded by RSS or filters. 011b = Def_Q field is ignored. 100-101b= Def_Q field is ignored. 110b= Def_Q field is ignored. |
| Reserved | 15:6 | 0x0 | Reserved. Write 0x0, ignore on read. |
| RSS Field Enable | 31:16 | 0x0 | Each bit, when set, enables a specific field selection to be used by the hash function. Several bits can be set at the same time. Bit[16] = Enable TcpIPv4 hash function Bit[17] = Enable IPv4 hash function Bit[18] = Enable TcpIPv6Ex hash function Bit[19] = Enable IPv6Ex hash function Bit[20] = Enable IPv6 hash function Bit[21] = Enable TCPIPV6 hash function Bit[22] = Enable UDPIPV4 Bit[23] = Enable UDPIPV6 Bit[24] = Enable UDPIPV6Ext Bit[25] = Reserved. Bits[31:26] = Reserved (zero). |

1. Note that the *RXCSUM.PCSD* bit should be set to enable reception of the RSS hash value in the receive descriptor.

Note: The *MRQC.Multiple Receive Queues Enable* field is used to enable/disable RSS hashing and also to enable multiple receive queues. Disabling this feature is not recommended. Model usage is to reset the I210 after disabling the RSS.

8.10.21 RSS Random Key Register - RSSRK (0x5C80 + 4*n [n=0...9]; R/W)

| Field | Bit(s) | Initial Value | Description |
|-------|--------|---------------|--|
| K0 | 7:0 | 0x0 | Byte n*4 of the RSS random key (n=0,1,...9). |
| K1 | 15:8 | 0x0 | Byte n*4+1 of the RSS random key (n=0,1,...9). |
| K2 | 23:16 | 0x0 | Byte n*4+2 of the RSS random key (n=0,1,...9). |
| K3 | 31:24 | 0x0 | Byte n*4+3 of the RSS random key (n=0,1,...9). |

The RSS Random Key register stores a 40 byte key used by the RSS hash function.

| 31 | 24 | 23 | 16 | 15 | 8 | 7 | 0 |
|-------|----|------|----|------|---|-------|---|
| K[3] | | K[2] | | K[1] | | K[0] | |
| ... | | ... | | ... | | ... | |
| K[39] | | ... | | ... | | K[36] | |



8.10.22 Redirection Table - RETA (0x5C00 + 4*n [n=0...31]; R/W)

The redirection table is a 128-entry table with each entry being eight bits wide. Only 1 to 3 bits of each entry are used to store the queue index. The table is configured through the following R/W registers.

| Field | Bit(s) | Initial Value | Description |
|---------|--------|---------------|---|
| Entry 0 | 7:0 | 0x0 | Determines the tag value and physical queue for index 4*n+0 (n=0...31). |
| Entry 1 | 15:8 | 0x0 | Determines the tag value and physical queue for index 4*n+1 (n=0...31). |
| Entry 2 | 23:16 | 0x0 | Determines the tag value and physical queue for index 4*n+2 (n=0...31). |
| Entry 3 | 31:24 | 0x0 | Determines the tag value and physical queue for index 4*n+3 (n=0...31). |

| 31 | 24 | 23 | 16 | 15 | 8 | 7 | 0 |
|---------|----|-------|----|-------|---|-------|---|
| Tag 3 | | Tag 2 | | Tag 1 | | Tag 0 | |
| ... | | ... | | ... | | ... | |
| Tag 127 | | ... | | ... | | ... | |

Each entry (byte) of the redirection table contains the following:

| 7:3 | 2:0 |
|----------|-------------|
| Reserved | Queue index |

- Bits [7:3] - Reserved.
- Bits [2:0] - Queue index for all pools or in regular RSS. In RSS only mode, all bits are used.

The contents of the redirection table are not defined following reset of the Memory Configuration registers. System software must initialize the table prior to enabling multiple receive queues. It can also update the redirection table during run time. Such updates of the table are not synchronized with the arrival time of received packets. Therefore, it is not guaranteed that a table update takes effect on a specific packet boundary.

Note: In case the operating system provides a redirection table whose size is smaller than 128 bytes, the software usually replicates the operating system-provided redirection table to span the whole 128 bytes of the hardware's redirection table.

8.10.23 DMA VM Offload Register - DVMOLR (0xC038 + 0x40*n[n=0...3]; RW)

This register controls part of the offload and queueing options applied to each queue.



| Field | Bit(s) | Initial Value | Description |
|-----------|--------|---------------|--|
| Reserved | 28:0 | 0x0 | Reserved. Write 0x0, ignore on read. |
| Hide VLAN | 29 | 0b | If this bit is set, a value of zero is written in the <i>RDESC.VLAN tag</i> and in the <i>RDESC.STATUS.VP</i> fields of the received descriptor. If this bit is set for a queue, the <i>DVMOLR.STRVLAN</i> bit for this queue should be set also. |
| STRVLAN | 30 | 0b | VLAN Strip. If this bit is set, the VLAN is removed from the packet, and can be inserted in the receive descriptor (depending on the value of the <i>Hide VLAN</i> field). Note: If this bit is set the <i>DVMOLR[n].CRC strip</i> bit should be set as the CRC is not valid anymore. |
| CRC Strip | 31 | 1b | CRC Strip. If this bit is set, the CRC is removed from the packet. Notes: 1. If the <i>DVMOLR[n].STRVLAN</i> bit is set the <i>DVMOLR[n].CRC strip</i> bit should also be set as the CRC is not valid anymore. 2. Even when this bit is set, CRC strip is not done on runt packets (smaller than 64 bytes). |

8.11 Filtering Register Descriptions

8.11.1 Immediate Interrupt RX - IMIR (0x5A80 + 4*n [n=0...7]; R/W)

This *IMIR[n]*, *TTQF[n]*, and the *IMIREXT[n]* registers define the filtering required to indicate which packet triggers a LLI (immediate interrupt). The registers can also be used for queuing and deciding on the timestamp of a packet.

Notes:

1. The *Port* field should be written in network order.
2. If one of the actions for this filter is set, then at least one of the *IMIR[n].PORT_BP*, *IMIR[n].Size_BP*, the Mask bits in the *TTQF[n]* register or the *IMIREXT.CtrIBit_BP* bits should be cleared.
3. The value of the *IMIR* and *IMIREXT* registers after reset is unknown (apart from the *IMIR.Immediate Interrupt* bit which is guaranteed to be cleared). Therefore, both registers should be programmed before an *IMIR.Immediate Interrupt* is set for a given flow.



| Field | Bit(s) | Initial Value | Description |
|---------------------|--------|---------------|--|
| Destination Port | 15:0 | 0x0 | Destination TCP Port This field is compared with the Destination TCP port in incoming packets. Only a packet with a matching destination TCP port triggers an immediate interrupt (if <i>IMIR[n].Immediate Interrupt</i> is set to 1b) and trigger the actions defined in the appropriate TTQF[n] register if all other filtering conditions are met. Note: Enabled by the <i>IMIR.PORT_BP</i> bit. |
| Immediate Interrupt | 16 | 0b | Enables issuing an immediate interrupt when the following conditions are met: <ul style="list-style-type: none"> The 2-tuple filter associated with this register matches. The length filter associated with this filter matches. The TCP flags filter associated with this filter matches. |
| PORT_BP | 17 | X | Port Bypass. When set to 1b, the TCP port check is bypassed and only other conditions are checked. When set to 0b, the TCP port is checked to fit the port field. |
| Reserved | 28:18 | 0x0 | Reserved. Write 0x0, ignore on read. |
| Filter Priority | 31:29 | 000b | Defines the priority of the filter assuming two filters with same priority don't match. If two filters with the same priority match the incoming packet, the first filter (lowest ordinal number) is used in order to define the queue destination of this packet. |

8.11.2 Immediate Interrupt Rx Ext. - IMIREXT (0x5AA0 + 4*n [n=0...7]; R/W)

| Field | Bit(s) | Initial Value | Description |
|-------------|--------|---------------|---|
| Size_Thresh | 11:0 | X | Size Threshold. These 12 bits define a size threshold. Only a packet with a length below this threshold triggers an immediate interrupt (if <i>IMIR[n].Immediate Interrupt</i> is set to 1b) and trigger the actions defined in the appropriate TTQF[n] register (if <i>TTQF[n].Queue Enable</i> is set to 1b) if all other filtering conditions are met. Notes: <ol style="list-style-type: none"> Enabled by the <i>IMIREXT.Size_BP</i> bit. The size used for this comparison is the size of the packet as forwarded to the host and does not include any of the fields stripped by the MAC (VLAN or CRC). As a result, setting the <i>RCTL.SECRC</i> and <i>CTRL.VME</i> bits should be taken into account while calculating the size threshold. When <i>DVMOLR.CRC strip</i> and <i>DVMOLR.STRVLAN</i> are used, the <i>Size_thresh</i> should include the VLAN and the CRC. |
| Size_BP | 12 | X | Size Bypass. When 1b, the size check is bypassed. When 0b, the size check is performed. |



| Field | Bit(s) | Initial Value | Description |
|------------|--------|---------------|--|
| CtrlBit | 18:13 | X | Control Bit. Defines TCP control bits used to generate immediate interrupt and trigger filter. Only a received packet with the corresponding TCP control bits set to 1b triggers an immediate interrupt (if <i>IMIR[n].Immediate Interrupt</i> is set to 1b) and trigger the actions defined in the appropriate TTQF[n] register (if <i>TTQF[n].Queue Enable</i> is set to 1b) if all other filtering conditions are met. Bit 13 (URG)= Urgent pointer field significant. Bit 14 (ACK)= Acknowledgment field. Bit 15 (PSH)= Push function. Bit 16 (RST)= Reset the connection. Bit 17 (SYN)= Synchronize sequence numbers. Bit 18 (FIN)= No more data from sender. Note: Enabled by the <i>IMIREXT.CtrlBit_BP</i> bit. |
| CtrlBit_BP | 19 | X | Control Bits Bypass. When set to 1b, the control bits check is bypassed. When set to 0b, the control bits check is performed. |
| Reserved | 31:20 | 0x0 | Reserved. Write 0x0, ignore on read. |

8.11.3 2-tuples Queue Filter - TTQF (0x59E0 + 4*n[n=0...7]; RW)

| Field | Bit(s) | Initial Value | Description |
|-----------------|--------|-------------------------|--|
| Protocol | 7:0 | 0x0 | IP L4 protocol, part of the 2-tuple queue filters. This field is compared with the IP L4 protocol in incoming packets. Only a packet with a matching IP L4 protocol will trigger an immediate interrupt (if <i>IMIR[n].Immediate Interrupt</i> is set to 1b) and trigger the actions defined in the appropriate TTQF[n] register (if <i>TTQF[n].Queue Enable</i> is set to 1b) if all other filtering conditions are met. |
| Queue Enable | 8 | 0b | When set, enables filtering of Rx packets by the 2-tuples defined in this filter to the queue indicated in this register. |
| Reserved | 11:9 | 0x0 | Reserved. Write 0x0, ignore on read. |
| Reserved | 14:9 | 0x0 | Reserved. Write 0x0, ignore on read. |
| Reserved_1 | 15 | 1b (For legacy reasons) | Reserved. Write 1b, ignore on read. |
| Rx Queue | 18:16 | 0x0 | Identifies the Rx queue associated with this 2-tuple filter. Valid values are 0 to 3. |
| Reserved | 26:19 | 0x0 | Reserved Write 0x0, ignore on read. |
| 1588 time stamp | 27 | 0b | When set, packets that match this filter are time stamped according to the IEEE 1588 specification. Note: Packet is time stamped only if it matches IEEE 1588 protocol according to the definition in the <i>TSYNCRXCTL.Type</i> field. |
| Mask | 31:28 | 0xF | Mask bits for the 2-tuple fields. The corresponding field participates in the match if the following bit cleared: Bit 28 = Mask protocol comparison. Bits 31:29 = Reserved. |



8.11.4 Immediate Interrupt Rx VLAN Priority - IMIRVP (0x5AC0; R/W)

| Field | Bit(s) | Initial Value | Description |
|-------------|--------|---------------|---|
| Vlan_Pri | 2:0 | 000b | VLAN Priority. This field includes the VLAN priority threshold. When <i>Vlan_pri_en</i> is set to 1b, then an incoming packet with a VLAN tag with a priority field equal or higher to VlanPri triggers an immediate interrupt, regardless of the EITR moderation. |
| Vlan_pri_en | 3 | 0b | VLAN Priority Enable. When set to 1b, an incoming packet with VLAN tag with a priority equal or higher to Vlan_Pri triggers an immediate interrupt, regardless of the EITR moderation. When set to 0b, the interrupt is moderated by EITR. |
| Reserved | 31:4 | 0x0 | Reserved. Write 0x0, ignore on read. |

8.11.5 SYN Packet Queue Filter - SYNQF (0x55FC; RW)

| Field | Bit(s) | Initial Value | Description |
|--------------|--------|---------------|---|
| Queue Enable | 0 | 0b | When set, enables forwarding of Rx packets to the queue indicated in this register. |
| Rx Queue | 3:1 | 0x0 | Identifies an Rx queue associated with SYN packets. Valid values are 0 to 3. |
| Reserved | 31:4 | 0x0 | Reserved. Write 0x0, ignore on read. |

8.11.6 EType Queue Filter - ETQF (0x5CB0 + 4*n[n=0...7]; RW)

| Field | Bit(s) | Initial Value | Description |
|---------------------|--------|---------------|--|
| EType | 15:0 | 0x0 | Identifies the protocol running on top of IEEE 802. Used to forward Rx packets containing this EType to a specific Rx queue. |
| Rx Queue | 18:16 | 0x0 | Identifies the receive queue associated with this EType. Valid values are 0 to 3. |
| Reserved | 19 | 0x0 | Reserved. Write 0x0, ignore on read. |
| EType Length | 24:20 | 0x0 | Ethertype Length. When enabled by <i>Ethertype length enable</i> this field defines the length of the Ethertype specified by EType and the device continues parsing incoming packets post this EType. The length includes the Ethertype itself as well as the data portion that is followed for this Ethertype. The minimal Ethertype length supported is 4 bytes. |
| EType Length Enable | 25 | 0x0 | Ethertype Length Enable. When set indicates the Ethertype length defined in EType Length is valid. |
| Filter enable | 26 | 0b | When set, this filter is valid. Any of the actions controlled by the following fields are gated by this field. |
| Reserved | 28:27 | 0x0 | Reserved. Write 0x0, ignore on read. |



| Field | Bit(s) | Initial Value | Description |
|---------------------|--------|---------------|--|
| Immediate Interrupt | 29 | 0x0 | When set, packets that match this filter generate an immediate interrupt. |
| 1588 time stamp | 30 | 0b | When set, packets with this EType are time stamped according to the IEEE 1588 specification. Note: The packet is time stamped only if it matches IEEE 1588 protocol according to the definition in the <i>TSYNCRXCTL.Type</i> field. |
| Queue Enable | 31 | 0b | When set, enables filtering of Rx packets by the EType defined in this register to the queue indicated in this register. |

8.12 Transmit Register Descriptions

8.12.1 Transmit Control Register - TCTL (0x0400; R/W)

| Field | Bit(s) | Initial Value | Description |
|----------|--------|---------------|---|
| Reserved | 0 | 0b | Reserved. Write 0b, ignore on read. |
| EN | 1 | 0b | Transmit Enable. The transmitter is enabled when this bit is set to 1b. Writing 0b to this bit stops transmission after any in progress packets are sent. Data remains in the transmit FIFO until the device is re-enabled. Software should combine this operation with reset if the packets in the TX FIFO should be flushed. |
| Reserved | 2 | 0b | Reserved. Write 0b, ignore on read. |
| PSP | 3 | 1b | Pad Short Packets. 0b = Do not pad. 1b = Pad. Padding makes the packet 64 bytes long. This is not the same as the minimum collision distance. If padding of short packets is allowed, the total length of a packet not including FCS should be not less than 17 bytes. |
| CT | 11:4 | 0xF | Collision Threshold. This determines the number of attempts at retransmission prior to giving up on the packet (not including the first transmission attempt). While this can be varied, it should be set to a value of 15 in order to comply with the IEEE specification requiring a total of 16 attempts. The Ethernet back-off algorithm is implemented and clamps to the maximum number of slot-times after 10 retries. This field only has meaning when in half-duplex operation. Note: Software can choose to abort packet transmission in less than the Ethernet mandated 16 collisions. For this reason, hardware provides CT support. |
| BST | 21:12 | 0x40 | Back-Off Slot Time. This value determines the back-off slot time value in byte time. |
| SWXOFF | 22 | 0b | Software XOFF Transmission. When set to 1b, the I210 schedules the transmission of an XOFF (PAUSE) frame using the current value of the PAUSE timer (<i>FCTTV.TTV</i>). This bit self-clears upon transmission of the XOFF frame. Note: While 802.3x flow control is only defined during full duplex operation, the sending of PAUSE frames via the <i>SWXOFF</i> bit is not gated by the duplex settings within the I210. Software should not write a 1b to this bit while the I210 is configured for half-duplex operation. |



| Field | Bit(s) | Initial Value | Description |
|----------|--------|---------------|---|
| Reserved | 23 | 0b | Reserved. |
| RTLTC | 24 | 0b | Re-transmit on Late Collision. When set, enables the I210 to re-transmit on a late collision event. Note: RTLTC configures the I210 to perform re-transmission of packets when a late collision is detected. Note that the collision window is speed dependent: 64 bytes for 10/100 Mb/s and 512 bytes for 1000 Mb/s operation. If a late collision is detected when this bit is disabled, the transmit function assumes the packet has successfully transmitted. This bit is ignored in full-duplex mode. |
| Reserved | 31:25 | | Reserved. |

8.12.2 Transmit Control Extended - TCTL_EXT (0x0404; R/W)

This register controls late collision detection.

The *COLD* field is used to determine the latest time in which a collision indication is considered as a valid collision and not a late collision. When using the internal PHY, the default value of 0x40 provides a behavior consistent with the 802.3 spec requested behavior. However, when using an SGMII connected external PHY, the SGMII interface adds some delay on top of the time budget allowed by the specification (collisions in valid network topographies even after 512 bit time can be expected). In order to accommodate this condition, *COLD* should be updated to take the SGMII inbound and outbound delays.

| Field | Bit(s) | Initial Value | Description |
|----------|--------|---------------|---|
| Reserved | 9:0 | 0x40 | Reserved. Write 0x40, ignore on read. |
| COLD | 19:10 | 0x42 | Collision Distance. Used to determine the latest time in which a collision indication is considered as a valid collision and not a late collision. |
| Reserved | 31:20 | 0x0 | Reserved. Write 0x0, ignore on read. |

8.12.3 Transmit IPG Register - TIPG (0x0410; R/W)

This register controls the Inter Packet Gap (IPG) timer.



| Field | Bit(s) | Initial Value | Description |
|----------|--------|---------------|---|
| IPGT | 9:0 | 0x08 | <p>IPG Back to Back.</p> <p>Specifies the IPG length for back to back transmissions in both full and half duplex. Measured in increments of the MAC clock: 8 ns MAC clock when operating @ 1 Gb/s. 80 ns MAC clock when operating @ 100 Mb/s. 800 ns MAC clock when operating @ 10 Mb/s.</p> <p>IPGT specifies the IPG length for back-to-back transmissions in both full duplex and half duplex. Note that an offset of 4 byte times is added to the programmed value to determine the total IPG. As a result, a value of 8 is recommended to achieve a 12 byte time IPG.</p> |
| IPGR1 | 19:10 | 0x04 | <p>IPG Part 1.</p> <p>Specifies the portion of the IPG in which the transmitter defers to receive events. IPGR1 should be set to 2/3 of the total effective IPG (8). Measured in increments of the MAC clock: 8 ns MAC clock when operating @ 1 Gb/s. 80 ns MAC clock when operating @ 100 Mb/s 800 ns MAC clock when operating @ 10 Mb/s.</p> |
| IPGR | 29:20 | 0x06 | <p>IPG After Deferral.</p> <p>Specifies the total IPG time for non back-to-back transmissions (transmission following deferral) in half duplex. Measured in increments of the MAC clock: 8 ns MAC clock when operating @ 1 Gb/s. 80 ns MAC clock when operating @ 100 Mb/s 800 ns MAC clock when operating @ 10 Mb/s.</p> <p>An offset of 5-byte times must be added to the programmed value to determine the total IPG after a defer event. A value of 7 is recommended to achieve a 12-byte effective IPG. Note that the IPGR must never be set to a value greater than IPGT. If IPGR is set to a value equal to or larger than IPGT, it overrides the IPGT IPG setting in half duplex resulting in inter-packet gaps that are larger than intended by IPGT. In this case, full duplex is unaffected and always relies on IPGT.</p> |
| Reserved | 31:30 | 0x0 | <p>Reserved. Write 0x0, ignore on read.</p> |

8.12.4 Retry Buffer Control – RETX_CTL (0x041C; RW)

This register controls the collision retry buffer.

| Field | Bit(s) | Initial Value | Description |
|------------|--------|---------------|---|
| Water Mark | 3:0 | 0x3 | <p>Retry buffer water mark. This parameters defines the minimal number of Qwords that should be present in the retry buffer before transmission is started.</p> |
| Reserved | 31:4 | 0x0 | <p>Reserved. Write 0x0, ignore on read.</p> |

8.12.5 DMA TX Control - DTXCTL (0x3590; R/W)

This register is used for controlling the DMA Tx behavior.



| Field | Bit(s) | Initial Value | Description |
|--------------------|--------|---------------|--|
| Reserved | 1:0 | 0x0 | Reserved. Write 0x0, ignore on read. |
| Enable_spoof_queue | 2 | 0b | Enable Spoofing Queue. 0b = Disable queue that exhibited spoofing behavior. 1b = Do not disable port that exhibited spoofing behavior. |
| Reserved | 3 | 0x0 | Reserved. Write 0x0, ignore on read. |
| OutOfSyncDisable | 4 | 0b | Disable Out Of Sync Mechanism. 0b = Out Of Sync mechanism is enabled. 1b = Out Of Sync mechanism is disabled. |
| Reserved | 6:5 | 0 | Reserved. |
| Count CRC | 7 | 1b | If set, the CRC is counted as part of the packet bytes statistics in per Queue statistics (PQGORC, PQGOTC, PQGORLBC and PQGOTLBC). |
| Reserved | 31:8 | 0x0 | Reserved. Write 0x0, ignore on read. |

8.12.6 DMA TX TCP Flags Control Low - DTXTCPFLGL (0x359C; RW)

This register holds the buses that AND the control flags in TCP header for the first and middle segments of a TSO packet. Refer to [Section 7.2.4.7.1](#) and [Section 7.2.4.7.2](#) for details on the use of this register.

| Field | Bit(s) | Initial Value | Description |
|-------------------|--------|---------------|---|
| TCP_flg_first_seg | 11:0 | 0xFF6 | TCP Flags First Segment. Bits that are used to execute an AND operation with the TCP flags in the TCP header in the first segment |
| Reserved | 15:12 | 0x0 | Reserved. Write 0x0, ignore on read. |
| TCP_Flg_mid_seg | 27:16 | 0xF76 | TCP Flags middle segments. Bits that are used to execute an AND operation with the TCP flags in the TCP header in the middle segments. |
| Reserved | 31:28 | 0x0 | Reserved. Write 0x0, ignore on read. |

8.12.7 DMA TX TCP Flags Control High - DTXTCPFLGH (0x35A0; RW)

This register holds the buses that AND the control flags in TCP header for the last segment of a TSO packet. Refer to [Section 7.2.4.7.3](#) for details of use of this register.

| Field | Bit(s) | Initial Value | Description |
|-----------------|--------|---------------|---|
| TCP_Flg_lst_seg | 11:0 | 0xF7F | TCP Flags Last Segment. Bits that are used to execute an AND operation with the TCP flags at TCP header in the last segment. |
| Reserved | 31:12 | 0x0 | Reserved. Write 0x0, ignore on read. |



8.12.8 DMA TX Max Total Allow Size Requests - DTXMXSZRQ (0x3540; RW)

This register limits the allowable size of concurrent outstanding Tx read requests from the host memory on the PCIe. Limiting the size of concurrent outstanding PCIe requests allows low latency packet read requests to be serviced in a timely manner, as the low latency request is serviced right after current outstanding requests are completed.

| Field | Bit(s) | Initial Value | Description |
|-------------------|--------|---------------|--|
| Max_bytes_num_req | 11:0 | 0x10 | Maximum allowable size of concurrent Tx outstanding requests on PCIe. Field defines maximum size in 256 byte resolution of outstanding Tx requests to be sent on PCIe. If total amount of outstanding Tx requests is higher than defined in this field, no further Tx outstanding requests are sent. |
| Reserved | 31:12 | 0x0 | Reserved. |

8.12.9 DMA TX Maximum Packet Size - DTXMXPKTSZ (0x355C; RW)

This register limits the total number of data bytes that might be transmitted in a single frame. Reducing packet size enables better utilization of transmit buffer.

| Field | Bit(s) | Initial Value | Description |
|---------------|--------|---------------|--|
| MAX_TPKT_SIZE | 8:0 | 0x98 | Maximum transmit packet size that is allowed to be transmitted by the driver. Value entered is in 64 Bytes resolution. Notes: 1. Default value enables transmission of maximum sized 9,728-byte Jumbo frames. 2. Values programmed in this field should not exceed 9,728 bytes. 3. Value programmed should not exceed the Tx buffers size programmed in the <i>TXPBSIZE</i> register. |
| Reserved | 31:9 | 0x0 | Reserved. Write 0x0, ignore on read. |

8.12.10 Transmit Descriptor Base Address Low - TDBAL (0xE000 + 0x40*n [n=0...3]; R/W)

These registers contain the lower 32 bits of the 64-bit descriptor base address. The lower 7 bits are ignored. The Transmit Descriptor Base Address must point to a 128-byte aligned block of data.

| Field ¹ | Bit(s) | Initial Value | Description |
|--------------------|--------|---------------|---|
| Lower_0 | 6:0 | 0x0 | Ignored on writes. Returns 0x0 on reads. |
| TDBAL | 31:7 | X | Transmit Descriptor Base Address Low. |

1. Software should program the TDBAL[n] register only when a queue is disabled (*TXDCTL[n].Enable* = 0b).

Note: In order to keep compatibility with previous devices, for queues 0-3, these registers are aliased to addresses 0x3800, 0x3900, 0x3A00 and 0x3B00, respectively.



8.12.11 Transmit Descriptor Base Address High - TDBAH (0xE004 + 0x40*n [n=0...3]; R/W)

These registers contain the upper 32 bits of the 64-bit descriptor base address.

| Field ¹ | Bit(s) | Initial Value | Description |
|--------------------|--------|---------------|---|
| TDBAH | 31:0 | X | Transmit Descriptor Base Address [63:32]. |

1. Software should program the TDBAH[n] register only when a queue is disabled (*TXDCTL[n].Enable* = 0b).

Note: In order to keep compatibility with previous devices, for queues 0-3, these registers are aliased to addresses 0x3804, 0x3904, 0x3A04 and 0x3B04, respectively.

8.12.12 Transmit Descriptor Ring Length - TDLEN (0xE008 + 0x40*n [n=0...3]; R/W)

These registers contain the descriptor ring length. The registers indicates the length in bytes and must be 128-byte aligned.

| Field ¹ | Bit(s) | Initial Value | Description |
|--------------------|--------|---------------|--|
| Zero | 6:0 | 0x0 | Ignore on writes. Read back as 0x0. |
| LEN | 19:7 | 0x0 | Descriptor Ring Length (number of 8 descriptor sets). Note: Maximum allowed value in <i>TDLEN</i> field 19:0 is 0x80000 (32K descriptors). |
| Reserved | 31:20 | 0x0 | Reserved. Write 0x0, ignore on read. |

1. Software should program the TDLEN[n] register only when a queue is disabled (*TXDCTL[n].Enable* = 0b).

Note: In order to keep compatibility with previous devices, for queues 0-3, these registers are aliased to addresses 0x3808, 0x3908, 0x3A08 and 0x3B08, respectively.

8.12.13 Transmit Descriptor Head - TDH (0xE010 + 0x40*n [n=0...3]; RO)

These registers contain the head pointer for the transmit descriptor ring. It points to a 16-byte datum. Hardware controls this pointer.

Note: The values in these registers might point to descriptors that are still not in host memory. As a result, the host cannot rely on these values in order to determine which descriptor to release.

| Field | Bit(s) | Initial Value | Description |
|----------|--------|---------------|---|
| TDH | 15:0 | 0x0 | Transmit Descriptor Head. |
| Reserved | 31:16 | 0x0 | Reserved. Write 0x0, ignore on read. |

Note: In order to keep compatibility with previous devices, for queues 0-3, these registers are aliased to addresses 0x3810, 0x3910, 0x3A10 and 0x3B10, respectively.



8.12.14 Transmit Descriptor Tail - TDT (0xE018 + 0x40*n [n=0...3]; R/W)

These registers contain the tail pointer for the transmit descriptor ring and points to a 16-byte datum. Software writes the tail pointer to add more descriptors to the transmit ready queue. Hardware attempts to transmit all packets referenced by descriptors between head and tail.

| Field | Bit(s) | Initial Value | Description |
|----------|--------|---------------|---|
| TDT | 15:0 | 0x0 | Transmit Descriptor Tail. |
| Reserved | 31:16 | 0x0 | Reserved. Write 0x0, ignore on read. |

Note: In order to keep compatibility with previous devices, for queues 0-3, these registers are aliased to addresses 0x3818, 0x3918, 0x3A18 and 0x3B18, respectively.

8.12.15 Transmit Descriptor Control - TXDCTL (0xE028 + 0x40*n [n=0...3]; R/W)

These registers control the fetching and write-back operations of transmit descriptors. The three threshold values are used to determine when descriptors are read from and written to host memory. The values are in units of descriptors (each descriptor is 16 bytes).

Since write-back of transmit descriptors is optional (under the control of *RS* bit in the descriptor), not all processed descriptors are counted with respect to *WTHRESH*. Descriptors start accumulating after a descriptor with *RS* set is processed. In addition, with transmit descriptor bursting enabled, some descriptors are written back that did not have *RS* set in their respective descriptors.

Note: When *WTHRESH* = 0x0, only descriptors with the *RS* bit set are written back.

| Field | Bit(s) | Initial Value | Description |
|----------|--------|---------------|---|
| PTHRESH | 4:0 | 0x0 | Prefetch Threshold. Controls when a prefetch of descriptors is considered. This threshold refers to the number of valid, unprocessed transmit descriptors the I210 has in its on-chip buffer. If this number drops below PTHRESH, the algorithm considers pre-fetching descriptors from host memory. However, this fetch does not happen unless there are at least HTHRESH valid descriptors in host memory to fetch. Note: When PTHRESH is 0x0 a transmit descriptor fetch operation is done when any valid descriptors are available in host memory and space is available in internal buffer. |
| Reserved | 7:5 | 0x0 | Reserved. Write 0x0, ignore on read. |
| HTHRESH | 12:8 | 0x0 | Host Threshold. Prefetch of transmit descriptors is considered when number of valid transmit descriptors in host memory is at least HTHRESH. Note: HTHRESH should be given a non zero value each time PTHRESH is used. |
| Reserved | 15:13 | 0x0 | Reserved. Write 0x0, ignore on read. |



| Field | Bit(s) | Initial Value | Description |
|-----------|--------|---------------|--|
| WTHRESH | 20:16 | 0x0 | <p>Write-Back Threshold.</p> <p>Controls the write-back of processed transmit descriptors. This threshold refers to the number of transmit descriptors in the on-chip buffer that are ready to be written back to host memory. In the absence of external events (explicit flushes), the write-back occurs only after at least <i>WTHRESH</i> descriptors are available for write-back. Possible values for this field are 0 to 23.</p> <p>Note: Since the default value for write-back threshold is 0b, descriptors are normally written back as soon as they are processed. <i>WTHRESH</i> must be written to a non-zero value to take advantage of the write-back bursting capabilities of the I210.</p> |
| Reserved | 23:21 | 0x0 | Reserved. |
| Reserved | 24 | 0b | Reserved. Write 0b, ignore on read. |
| ENABLE | 25 | 0b | <p>Transmit Queue Enable.</p> <p>When set, this bit enables the operation of a specific transmit queue. Setting this bit initializes the Tail and Head registers (TDT[n] and TDH[n]) of a specific queue. Until then, the state of the queue is kept and can be used for debug purposes.</p> <p>When disabling a queue, this bit is cleared only after all transmit activity on this queue is stopped.</p> <p>Note: When transmit queue is enabled and descriptors exist, descriptors and data are fetched immediately. Actual transmit activity on port starts only if the <i>TCTL.EN</i> bit is set.</p> |
| SWFLSH | 26 | 0b | <p>Transmit Software Flush.</p> <p>This bit enables software to trigger descriptor write-back flushing, independently of other conditions.</p> <p>This bit must be written to 1b and then to 0b after a write-back flush is triggered.</p> <p>Note: When working in head write-back mode (<i>TDWBAL.Head_WB_En</i> = 1b) <i>TDWBAL.WB_on_EITR</i> bit should be set for a transmit descriptor flush to occur.</p> |
| Priority | 27 | 0b | <p>Transmit Queue Priority.</p> <p>0b = Low priority. 1b = High priority.</p> <p>When set, transmit DMA resources are always allocated to the queue before low priority queues. Arbitration between transmit queues with the same priority is done in a Round Robin (RR) fashion or in most empty fashion set by the <i>TQAVCTRL.DataFetchARB</i> register.</p> |
| HWBTHRESH | 31:28 | 0x0 | <p>Transmit Head Write-back Threshold.</p> <p>If the value of field is greater than 0x0, the head write-back to host occurs only when the amount of internal pending write backs exceeds this threshold. Refer to Section 7.2.4 for additional information.</p> <p>Note: When activating this mode the <i>WB_on_EITR</i> bit in the <i>TDWBAL</i> register should be set to guarantee a write back after a timeout even if the threshold has not been reached.</p> |

Note: In order to keep compatibility with previous devices, for queues 0-3, these registers are aliased to addresses 0x3828, 0x3928, 0x3A28 and 0x3B28, respectively.



8.12.16 Tx Descriptor Completion Write-Back Address Low - TDWBAL (0xE038 + 0x40*n [n=0...3]; R/W)

| Field ¹ | Bit(s) | Initial Value | Description |
|--------------------|--------|---------------|--|
| Head_WB_En | 0 | 0b | Head Write-Back Enable. 1b = Head write back is enabled. 0b = Head write back is disabled. When <i>head_WB_en</i> is set, <i>TXDCTL.SWFLSH</i> is ignored and no descriptor write back is executed. |
| WB_on_EITR | 1 | 0b | When set, a head write back is done upon EITR expiration. |
| HeadWB_Low | 31:2 | 0x0 | Bits 31:2 of the head write-back memory location (Dword aligned). The last 2 bits of this field are ignored and are always interpreted as 00b, meaning that the actual address is Qword aligned. Bits 1:0 are always 00b. |

1. Software should program the TDWBAL[n] register only when a queue is disabled (*TXDCTL[n].Enable* = 0b).

Note: In order to keep compatibility with previous devices, for queues 0-3, these registers are aliased to addresses 0x3838, 0x3938, 0x3A38 and 0x3B38, respectively.

8.12.17 Tx Descriptor Completion Write-Back Address High - TDWBAH (0xE03C + 0x40*n [n=0...3];R/W)

| Field ¹ | Bit(s) | Initial Value | Description |
|--------------------|--------|---------------|---|
| HeadWB_High | 31:0 | 0x0 | Highest 32 bits of the head write-back memory location. |

1. Software should program the TDWBAH[n] register only when a queue is disabled (*TXDCTL[n].Enable* = 0b).

Note: In order to keep compatibility with previous devices, for queues 0-3, these registers are aliased to addresses 0x383C, 0x393C, 0x3A3C and 0x3B3C, respectively.

8.12.18 Tx Qav Hi Credit TQAVHC (0x300C+ 0x40*n [n=0...1];R/W)

| Field | Bit(s) | Initial Value | Description |
|----------|--------|---------------|---|
| HiCredit | 31:0 | 0x0 | Hi Credit Value. Maximum number of credits that this queue can accumulate. See Section 7.2.7.6 for a description of how this field should be calculated. Relevant only if <i>TransmitMode</i> is set to 1b (Qav). |



8.12.19 Tx Qav Credit Control TQAVCC (0x3004 + 0x40*n [n=0...1]; R/W)

| Field | Bit(s) | Initial Value | Description |
|-----------|--------|---------------|--|
| IdleSlope | 15:0 | 0x0 | IdleSlope. Idle Slope for this queue Value in credits. Must be smaller than LinkRate = 0x7735 credits/byte. See Section 7.2.7.6 for a description of how this field should be calculated. Relevant only if <i>TransmitMode</i> is set to 1b (Qav). |
| Reserved | 29:16 | 0x0 | Reserved. |
| Reserved | 30 | 0x0 | Reserved. |
| QueueMode | 31 | 0x0 | Queue Mode. 0b = Strict Priority. 1b = Stream Reservation. Note: Queue0 QueueMode must be set to 1b when <i>TransmitMode</i> is set to Qav. Relevant only if <i>TransmitMode</i> is set to 1b (Qav). |

8.12.20 Launch Time Offset Register LAUNCH_OS0 (0x3578; R/W)

| Field | Bit(s) | Initial Value | Description |
|--------------|--------|---------------|--|
| Reserved | 4:0 | 0x0 | Reserved. |
| LaunchOffset | 29:5 | 0x0 | Launch Time Offset, defined in 32nsec granularity. The launch time of a packet is defined by the sum of the LaunchOffset and the Relative LaunchTime parameter in the transmit context descriptor. Note that the calculated launch time should not exceed 1 second on which SYSTIML wraps around. |
| Reserved | 30 | 0x0 | Reserved. |
| Reserved | 31 | 0x1 | Reserved, should be written to 0x1 and ignored on read. |

8.12.21 Tx Qav Control TQAVCTRL (0x3570; R/W)

| Field | Bit(s) | Initial Value | Description |
|--------------|--------|---------------|---|
| TransmitMode | 0 | 0b | Transmit Mode Configuration. 0b= Legacy. 1b= Qav. Note: Any change to this field shall be done while the queue is disabled. |
| Reserved | 1 | 0b | Reserved. |
| 1588_STAT_EN | 2 | 0b | When set to 1b, the DMA time of transmitted packets is reported in the transmit descriptors at its status write back. In this case, the TS_VAL flag is set and the DMA_TIME field is valid in the transmit descriptor write back. |
| Reserved | 3 | 0b | Reserved. |
| DataFetchARB | 4 | 0x0 | Data Fetch Arbitration. 0b= Round Robin. 1b= Most Empty. Relevant only if <i>TransmitMode</i> is set to 1 (Qav). |
| Reserved | 7:5 | 0x0 | Reserved. |



| Field | Bit(s) | Initial Value | Description |
|---------------|--------|---------------|--|
| DataTranARB | 8 | 0x0 | Data Transmit Arbitration. 0b = Strict Priority. 1b = Credit Shaper Algorithm. Relevant only if <i>TransmitMode</i> is set to 1b (Qav). |
| DataTranTIM | 9 | 0x0 | Data Launch Time Valid. Relevant only if <i>TransmitMode</i> is set to 1b (Qav). |
| SP_WAIT_SR | 10 | 0x0 | When set to 1b, the SP queues wait for the SR queues to make sure the SR launch time is always guaranteed. |
| Reserved | 15:11 | 0x0 | Reserved. |
| FetchTimDelta | 31:16 | 0x0 | Fetch Time Delta. This field holds the value to be reduced from the launch time for fetch time decision. The <i>FetchTimeDelta</i> value is defined in 32 ns granularity. Relevant only if <i>TransmitMode</i> is set to 1b (Qav). |

8.13 DCA and TPH Register Descriptions

8.13.1 Rx DCA Control Registers - RXCTL (0xC014 + 0x40*n [n=0...3]; R/W)

Note: Rx data write no-snoop is activated when the *NSE* bit is set in the receive descriptor.

Note: Both the *DCA Enable* bit and *TPH Enable* bit should not be set for the same type of traffic.

| Field | Bit(s) | Initial Value | Description |
|--------------------------------|--------|---------------|---|
| Rx Descriptor Fetch TPH EN | 0 | 0b | Receive Descriptor Fetch TPH Enable. When set, hardware enables TPH for all Rx descriptors fetch from memory. When cleared, hardware does not enable TPH for descriptor fetches. This bit is cleared as a default. |
| Rx Descriptor Writeback TPH EN | 1 | 0b | Receive Descriptor Writeback TPH Enable. When set, hardware enables TPH for all Rx descriptors written back into memory. When cleared, hardware does not enable TPH for descriptor write-backs. This bit is cleared as a default. The hint used is the hint set in the <i>Socket ID</i> field. |
| Rx Header TPH EN | 2 | 0b | Receive Header TPH Enable. When set, hardware enables TPH for all received header buffers. When cleared, hardware does not enable TPH for Rx headers. This bit is cleared as a default. The hint used is the hint set in the <i>Socket ID</i> field. |
| Rx Payload TPH EN | 3 | 0b | Receive Payload TPH Enable. When set, hardware enables TPH for all Ethernet payloads written into memory. When cleared, hardware does not enable TPH for Ethernet payloads. This bit is cleared as a default. The hint used is the hint set in the <i>Socket ID</i> field. |
| Reserved | 4 | 0b | Reserved. Write 0b, ignore on read. |
| Rx Descriptor DCA EN | 5 | 0b | Descriptor DCA Enable. When set, hardware enables DCA for all Rx descriptors written back into memory. When cleared, hardware does not enable DCA for descriptor write-backs. This bit is cleared as a default. |
| Rx Header DCA EN | 6 | 0b | Receive Header DCA Enable. When set, hardware enables DCA for all received header buffers. When cleared, hardware does not enable DCA for Rx headers. This bit is cleared as a default. |



| Field | Bit(s) | Initial Value | Description |
|-------------------|--------|---------------|--|
| Rx Payload DCA EN | 7 | 0b | Receive Payload DCA Enable. When set, hardware enables DCA for all Ethernet payloads written into memory. When cleared, hardware does not enable DCA for Ethernet payloads. This bit is cleared as a default. |
| RXdescRead NSEn | 8 | 0b | Receive Descriptor Read No Snoop Enable. This bit must be reset to 0b to ensure correct functionality (except if the software driver can guarantee the data is present in the main memory before the DMA process occurs). Note: When TPH is enabled, the <i>No Snoop</i> bit should be 0b. |
| RXdescRead ROEn | 9 | 1b | Receive Descriptor Read Relax Order Enable. |
| RXdescWBNSen | 10 | 0b | Receive Descriptor Write-Back No Snoop Enable. This bit must be reset to 0b to ensure correct functionality of descriptor write back. Note: When TPH is enabled <i>No Snoop</i> bit should be 0b. |
| RXdescWBROen (RO) | 11 | 0b | Receive Descriptor Write-Back Relax Order Enable. This bit must be reset to 0b to ensure correct functionality of descriptor write back. |
| RXdataWrite NSEn | 12 | 0b | Receive Data Write No Snoop Enable (header replication: header and data). When set to 0b, the last bit of the <i>Packet Buffer Address</i> field in the advanced receive descriptor is used as the LSB of the packet buffer address (A0), thus enabling Byte alignment of the buffer. When set to 1b, the last bit of the <i>Packet Buffer Address</i> field in advanced receive descriptor is used as the No-Snoop Enabling (NSE) bit (buffer is Word aligned). If also set to 1b, the NSE bit determines whether the data buffer is snooped or not. Note: When TPH is enabled <i>No Snoop</i> bit should be 0b. |
| RXdataWrite ROEn | 13 | 1b | Receive Data Write Relax Order Enable (header replication: header and data). |
| RxRepHeader NSEn | 14 | 0b | Receive Replicated/Split Header No Snoop Enable. This bit must be reset to 0b to ensure correct functionality of header write to host memory. Note: When TPH is enabled, the <i>No Snoop</i> bit should be 0b. |
| RxRepHeader ROEn | 15 | 1b | Receive Replicated/Split Header Relax Order Enable. |
| Reserved | 23:16 | 0x0 | Reserved. Write 0x0, ignore on read. |
| CPUID | 31:24 | 0x0 | Physical ID. Legacy DCA capable platforms. The software device driver, upon discovery of the physical CPU ID and CPU Bus ID, programs the CPUID field with the Physical CPU and Bus ID associated with this Rx queue. DCA 1.0 capable platforms. The software device driver programs a value, based on the relevant APIC ID, associated with this Tx queue. Refer to Table 3.1.3.1.2.3 for details. TPH capable platforms. The device driver programs a value, based on the relevant Socket ID, associated with this receive queue. Note that for TPH platforms, bits 31:27 of this field should always be set to zero. Refer to Section 7.7.2 for details. |

Note: In order to keep compatibility with previous devices, for queues 0-3, these registers are aliased to addresses 0x2814, 0x2914, 0x2A14 and 0x2B14, respectively.



8.13.2 Tx DCA Control Registers - TXCTL (0xE014 + 0x40*n [n=0...3]; R/W)

| Field | Bit(s) | Initial Value | Description |
|---|--------|---------------|---|
| Tx Descriptor Fetch TPH EN ¹ | 0 | 0b | Transmit Descriptor Fetch TPH Enable. When set, hardware enables TPH for all Tx descriptors fetch from memory. When cleared, hardware does not enable TPH for descriptor fetches. This bit is cleared as a default. |
| Tx Descriptor Writeback TPH EN | 1 | 0b | Transmit Descriptor Writeback TPH Enable. When set, hardware enables TPH for all Tx descriptors written back into memory. When cleared, hardware does not enable TPH for descriptor write-backs. This bit is cleared as a default. The hint used is the hint set in the <i>Socket ID</i> field. |
| Reserved | 2 | 0b | Reserved. Write 0b, ignore on read. |
| Tx Packet TPH EN | 3 | 0b | Transmit Packet TPH Enable. When set, hardware enables TPH for all Ethernet payloads read from memory. When cleared, hardware does not enable TPH for Ethernet payloads. This bit is cleared as a default. |
| Reserved | 4 | 0b | Reserved. Write 0b, ignore on read. |
| Tx Descriptor DCA EN ¹ | 5 | 0b | Descriptor DCA Enable. When set, hardware enables DCA for all Tx descriptors written back into memory. When cleared, hardware does not enable DCA for descriptor write backs. This bit is cleared as a default and also applies to head write back when enabled. |
| Reserved | 7:6 | 00b | Reserved. Write 00b, ignore on read. |
| TXdescRDNSen | 8 | 0b | Tx Descriptor Read No Snoop Enable. This bit must be reset to 0b to ensure correct functionality (unless the software device driver has written this bit with a write-through instruction). Note: When TPH is enabled <i>No Snoop</i> bit should be 0b. |
| TXdescRDROEn | 9 | 1b | Tx Descriptor Read Relax Order Enable. |
| TXdescWBNSen | 10 | 0b | Tx Descriptor Write-Back No Snoop Enable. This bit must be reset to 0b to ensure correct functionality of descriptor write-back. Also applies to head write-back, when enabled. Note: When TPH is enabled <i>No Snoop</i> bit should be 0b. |
| TXdescWBROEn | 11 | 1b | Tx Descriptor Write Back Relax Order Enable. Applies to head write back, when enabled. |
| TXDataReadNSEn | 12 | 0b | Tx Data Read No Snoop Enable. Note: When TPH is enabled <i>No Snoop</i> bit should be 0b. |
| TXDataReadROEn | 13 | 1b | Tx Data Read Relax Order Enable. |
| Reserved | 23:14 | 0b | Reserved Write 0 ignore on read. |
| CPUID | 31:24 | 0x0 | Physical ID Legacy DCA capable platforms - the device driver, upon discovery of the physical CPU ID and CPU Bus ID, programs the CPUID field with the Physical CPU and Bus ID associated with this Tx queue. DCA 1.0 capable platforms - the device driver programs a value, based on the relevant APIC ID, associated with this Tx queue. Refer to Table 3.1.3.1.2.3 for details TPH capable platforms - the device driver programs a value, based on the relevant Socket ID, associated with this transmit queue. Note that for TPH platforms, bits 31:27 of this field should always be set to zero. Refer to Section 7.7.2 for details. |

1. Both the *DCA Enable* bit and the *TPH Enable* bit should not be set for the same type of traffic.



Note: In order to keep compatibility with previous devices, for queues 0-3, these registers are aliased to addresses 0x3814, 0x3914, 0x3A14 and 0x3B14, respectively.

8.13.3 DCA Requester ID Information - DCA_ID (0x5B70; RO)

The *DCA Requester ID* field, composed of Device ID, Bus #, and Function # is set up in MMIO space for software to program the DCA Requester ID Authentication register.

| Field | Bit(s) | Initial Value | Description |
|-----------------|--------|---------------|--|
| Function Number | 2:0 | 000b | Function Number. Function number assigned to the function based on BIOS/operating system enumeration. |
| Device Number | 7:3 | 0x0 | Device Number. Device number assigned to the function based on BIOS/operating system enumeration. |
| Bus Number | 15:8 | 0x0 | Bus Number. Bus number assigned to the function based on BIOS/operating system enumeration. |
| Reserved | 31:16 | 0x0 | Reserved. Write 0x0, ignore on read. |

8.13.4 DCA Control - DCA_CTRL (0x5B74; R/W)

This CSR is common to all functions.

| Field | Bit(s) | Initial Value | Description |
|----------|--------|---------------|---|
| DCA_DIS | 0 | 1b | DCA Disable. 0b = DCA tagging is enabled. 1b = DCA tagging is disabled. |
| DCA_MODE | 4:1 | 0x0 | DCA Mode. 000b = Legacy DCA is supported. The TAG field in the TLP header is based on the following coding: bit 0 is DCA enable; bits 3:1 are CPU ID). 001b = DCA 1.0 is supported. When DCA is disabled for a given message, the TAG field is 0000,0000b. If DCA is enabled, the TAG is set per queue as programmed in the relevant DCA Control register. All other values are undefined. |
| Reserved | 8:5 | 0x0 | Reserved. Write 0x0, ignore on read. |
| Desc_PH | 10:9 | 00b | Descriptor PH. Defines the PH field used when a TPH hint is given for descriptor associated traffic (descriptor fetch, descriptor write back or head write back). |
| Data_PH | 12:11 | 10b | Data PH. Defines the PH field used when a TPH hint is given for data associated traffic (Tx data read, Rx data write). |
| Reserved | 31:13 | 0x0 | Reserved. Write 0x0, ignore on read. |



8.14 Timer Registers Description

8.14.1 Watchdog Setup - WDSTP (0x1040; R/W)

| Field | Bit(s) | Initial Value | Description |
|---------------------------|--------|------------------|---|
| WD_Enable | 0 | 0b ¹ | Enable Watchdog Timer. |
| WD_Timer_Load_enable (SC) | 1 | 0b | Enables the load of the watchdog timer by writing to <i>WD_Timer</i> field. If this bit is not set, the <i>WD_Timer</i> field is loaded by the value of <i>WD_Timeout</i> . Note: Writing to this field is only for DFX purposes. This field resets on software reset events. |
| Reserved | 15:2 | 0x0 | Reserved. Write 0x0, ignore on read. |
| WD_Timer (RWM) | 23:16 | WD_Timeout | Indicates the current value of the timer. Resets to the timeout value each time the I210 functional bit in Software Device Status register is set. If this timer expires, the WD interrupt to the firmware and the WD SDP is asserted. As a result, this timer is stuck at zero until it is re-armed. Note: Writing to this field is only for DFX purposes. |
| WD_Timeout | 31:24 | 0x2 ¹ | Defines the number of seconds until the watchdog expires. The granularity of this timer is 1 second. The minimal value allowed for this register when the watchdog mechanism is enabled is two. Setting this field to 1b might cause the watchdog to expire immediately. Note: Only 4 LSB bits loaded from Flash. |

1. Value read from the Flash.

8.14.2 Watchdog Software Device Status - WDSWSTS (0x1044; R/W)

| Field | Bit(s) | Initial Value | Description |
|---------------------|--------|---------------|---|
| Dev_Functional (SC) | 0 | 0b | Each time this bit is set, the watchdog timer is re-armed. This bit is self clearing. |
| Force_WD (SC) | 1 | 0b | Setting this bit causes the WD timer to expire immediately. The <i>WD_timer</i> field is set to 0b. It can be used by software in order to indicate some fatal error detected in the software or in the hardware. This bit is self clearing. |
| Reserved | 23:2 | 0x0 | Reserved. Write 0x0, ignore on read. |
| Stuck Reason | 31:24 | 0x0 | This field can be used by software to indicate to the firmware the reason the I210 is malfunctioning. The encoding of this field is software/firmware dependent. A value of 0x0 indicates a functional the I210. |

8.14.3 Free Running Timer - FRTIMER (0x1048; RWM)

This register reflects the value of a free running timer that can be used for various timeout indications. The register is reset by a PCI reset and/or software reset.

Note: Writing to this register is for DFX purposes only.



| Field | Bit(s) | Initial Value | Description |
|-------------|--------|---------------|--|
| Microsecond | 9:0 | X | Number of microseconds in the current millisecond. |
| Millisecond | 19:10 | X | Number of milliseconds in the current second. |
| Seconds | 31:20 | X | Number of seconds from the timer start (up to 4095 seconds). |

8.14.4 TCP Timer - TCPTIMER (0x104C; R/W)

| Field | Bit(s) | Initial Value | Description |
|---------------------|--------|---------------|--|
| Duration | 7:0 | 0x0 | Duration. Duration of the TCP interrupt interval in ms. |
| KickStart (WO) | 8 | 0b | Counter KickStart. Writing a 1b to this bit kick starts the counter down count from the initial value defined in the <i>Duration</i> field. Writing a 0b has no effect. |
| TCPCountEn | 9 | 0b | TCP Count Enable. 1b = TCP timer counting enabled. 0b = TCP timer counting disabled. Once enabled, the TCP counter counts from its internal state. If the internal state is equal to 0b, the down-count does not restart until <i>KickStart</i> is activated. If the internal state is not 0b, the down-count continues from internal state. This enables a pause in the counting for debug purpose. |
| TCPCountFinish (WO) | 10 | 0b | TCP Count Finish. This bit enables software to trigger a TCP timer interrupt, regardless of the internal state. Writing a 1b to this bit triggers an interrupt and resets the internal counter to its initial value. Down count does not restart until either <i>KickStart</i> is activated or <i>Loop</i> is set. Writing a 0b has no effect. |
| Loop | 11 | 0b | TCP Loop. When set to 1b, the TCP counter reloads duration each time it reaches zero, and continues down-counting from this point without kick starting. When set to 0b, the TCP counter stops at a zero value and does not restart until <i>KickStart</i> is activated. Note: Setting this bit alone is not enough to start the timer activity. The <i>KickStart</i> bit should also be set. |
| Reserved | 31:12 | 0x0 | Reserved. Write 0x0, ignore on read. |



8.15 Time Sync Register Descriptions

8.15.1 Rx Time Sync Control Register - TSYNCRXCTL (0xB620;RW)

| Field | Bit(s) | Initial Value | Description |
|----------|--------|---------------|---|
| RXTT(RO) | 0 | 0x0 | Rx Timestamp Valid Bit is set when a valid value for Rx timestamp is captured in the Rx timestamp registers. Bit is cleared by read of Rx timestamp high register (<i>RXSTMPH</i>). |
| Type | 3:1 | 0x0 | Type of Packets to Timestamp. 000b = Timestamp L2 (V2) packets with <i>MessageType</i> as defined by <i>MSGT</i> field in the <i>TSYNCRXCFG</i> register as well as DELAY_REQ and DELAY_RESP packets. 001b = Timestamp L4 (V1) packets with <i>Control</i> as defined by <i>CTRLT</i> field in the <i>TSYNCRXCFG</i> register. 010b = Timestamp V2 (L2 and L4) packets with <i>MessageType</i> as defined by <i>MSGT</i> field in the <i>TSYNCRXCFG</i> register as well as DELAY_REQ and DELAY_RESP packets. 100b = timestamp all packets. 101b = Timestamp all V2 packets which have a <i>MessageType</i> bit 3 zero, which means timestamp all event packets. 011b, 110b and 111b = Reserved |
| En | 4 | 0b | Enable Rx Timestamp 0b = Timestamping disabled. 1b = Timestamping enabled. |
| RSV | 31:5 | 0x0 | Reserved. Write 0x0, ignore on read. |

8.15.2 Rx Timestamp Low - RXSTMPL (0xB624; RO)

| Field | Bit(s) | Initial Value | Description |
|-------|--------|---------------|---|
| RTSL | 29:0 | 0x0 | Rx timestamp LSB value (defined in ns units). |
| Zero | 31:30 | 0x0 | Zero bits. |

8.15.3 Rx Timestamp High - RXSTMPH (0xB628; RO)

| Field | Bit(s) | Initial Value | Description |
|-------|--------|---------------|---|
| RTSH | 31:0 | 0x0 | Rx timestamp MSB value (defined in second units). |



8.15.4 Tx Time Sync Control Register - TSYNCTXCTL (0xB614; RW)

| Field | Bit(s) | Initial Value | Description |
|-------------|--------|---------------|--|
| TXTT(ROM) | 0 | 0b | Transmit timestamp valid (equals 1b when a valid value for Tx timestamp is captured in the Tx timestamp register, clear by read of Tx timestamp register TXSTMPH). |
| RSV | 3:1 | 0x0 | Reserved. Write 0x0, ignore on read. |
| EN | 4 | 0b | Enable Transmit timestamp. 0b = time stamping disabled. 1b = time stamping enabled. |
| RSV | 5:7 | 0x0 | Reserved. Write 0x0, ignore on read. |
| 1588_Offset | 8:15 | 0x0 | Byte offset of the inserted timestamp to the transmit packet in 1-step flow. The offset is defined in byte units measured from the beginning of the packet as transmitted to the network (including the optional inserted VLAN tag). |
| RSV | 31:16 | 0x0 | Reserved. Write 0x0, ignore on read. |

8.15.5 Tx Timestamp Value Low - TXSTMPL (0xB618;RO)

| Field | Bit(s) | Initial Value | Description |
|-------|--------|---------------|---|
| TTSL | 29:0 | 0x0 | Transmit timestamp LSB value (defined in ns units). |
| Zero | 31:30 | 0x0 | Zero bits. |

8.15.6 Tx Timestamp Value High - TXSTMPH(0xB61C; RO)

| Field | Bit(s) | Initial Value | Description |
|-------|--------|---------------|--|
| TTSH | 31:0 | 0x0 | Transmit timestamp MSB value (defined in sec units). |

8.15.7 System Time Register Residue - SYSTIMR (0xB6F8; RW)

| Field | Bit(s) | Initial Value | Description |
|-------|--------|---------------|---|
| STR | 31:0 | 0x0 | System time Residue value (defined in 2^{-32} nS resolution). |

8.15.8 System Time Register Low - SYSTIML (0xB600; RW)

| Field | Bit(s) | Initial Value | Description |
|-------|--------|---------------|--|
| STL | 29:0 | 0x0 | System time LSB value (defined in ns units). |
| Zero | 31:30 | 0x0 | Zero bits. |



8.15.9 System Time Register High - SYSTIMH (0xB604; RW)

| Field | Bit(s) | Initial Value | Description |
|-------|--------|---------------|---|
| STH | 31:0 | 0x0 | System time MSB value (defined in sec units). |

8.15.10 System Time Register Tx MS - SYSTIMTM (0xB6FC; RW)

| Field | Bit(s) | Initial Value | Description |
|-------|--------|---------------|--|
| STM | 15:0 | 0x0 | Two MS bytes of the system time (defined in 2^{32} sec units). This field is static, kept at the value programmed by the software. It is used for 1-step transmission as the two MS bytes inserted to the SYNC packet. |
| RSV | 31:16 | 0x0 | Reserved. Write 0x0, ignore on read. |

8.15.11 Increment Attributes Register - TIMINCA (0xB608; RW)

| Field | Bit(s) | Initial Value | Description |
|----------|--------|---------------|--|
| Incvalue | 30:0 | 0x0 | Increment value. Value to be added or subtracted (depending on ISGN value) from 8 nS clock cycle in resolution of 2^{-32} nS. |
| ISGN | 31 | 0b | Increment sign. 0b = Each 8 nS cycle add to SYSTIM a value of 8 nS + Incvalue * 2^{-32} nS. 1b = Each 8 nS cycle add to SYSTIM a value of 8 nS -Incvalue * 2^{-32} nS. |

8.15.12 Time Adjustment Offset Register - TIMADJ (0xB60C; RW)

| Field | Bit(s) | Initial Value | Description |
|--------|--------|---------------|---|
| Tadjus | 29:0 | 0x0 | Time Adjustment Value. Low (defined in ns units). The TADJL field can be set to any non-zero value smaller than 999,999,900 decimal (slightly below 1 second). |
| Zero | 30 | 0b | Zero bit. |
| Sign | 31 | 0b | Sign (0b = "+" 1b = "-"). |



8.15.13 TimeSync Auxiliary Control Register - TSAUXC (0xB640; RW)

| Field | Bit(s) | Initial Value | Description |
|-----------|--------|---------------|--|
| EN_TT0 | 0 | 0b | Enable target time 0. Enable bit is set by software to 1b, to enable pulse or level change generation as a function of the <i>TSAUXC.PLSG</i> bit. |
| EN_TT1 | 1 | 0b | Enable target time 1. Enable bit is set by software to 1b, to enable a level change. |
| EN_CLK0 | 2 | 0b | Enable Configurable Frequency Clock 0. Clock is generated according to frequency defined in the <i>FREQOUT0</i> register on the SDP pin (0 to 3) that has both: 1. <i>TSSDP.TS_SDPX_SEL</i> field with a value of 10b. 2. <i>TSSDP.TS_SDPX_EN</i> value of 1b. |
| SAMP_AUTO | 3 | 0b | When setting the <i>SAMP_AUTO</i> flag the <i>SYSTIML/H</i> registers are latched to the <i>AUXSTMPLO/ AUXSTMPHO</i> registers. Then the <i>SAMP_AUTO</i> flag is auto-cleared by the hardware. |
| ST0 | 4 | 0b | Start Clock 0 Toggle on Target Time 0. Enable Clock 0 toggle only after target time 0, that's defined in the <i>TRGTTIML0</i> and <i>TRGTTIMH0</i> registers, has passed. The clock output is initially 0 and toggles with a frequency defined in the <i>FREQOUT0</i> register. |
| EN_CLK1 | 5 | 0b | Enable Configurable Frequency Clock 1. Clock is generated according to frequency defined in the <i>FREQOUT1</i> register on the SDP pin (0 to 3) that has both: 1. <i>TSSDP.TS_SDPX_SEL</i> field with a value of 11b. 2. <i>TSSDP.TS_SDPX_EN</i> value of 1b. |
| SAMP_AUT1 | 6 | 0b | When setting the <i>SAMP_AUT1</i> flag the <i>SYSTIML/H</i> registers are latched to the <i>AUXSTMP1/ AUXSTMPH1</i> registers. Then the <i>SAMP_AUT1</i> flag is auto-cleared by the hardware. |
| ST1 | 7 | 0b | Start Clock 1 Toggle on Target Time 1. Enable Clock 1 toggle only after Target Time 1, that's defined in the <i>TRGTTIML1</i> and <i>TRGTTIMH1</i> registers, has passed. The clock output is initially 1 and toggles with a frequency defined in the <i>FREQOUT1</i> register. |
| EN_TS0 | 8 | 0b | Enable hardware timestamp 0. Enable Timestamping occurrence of change in SDP pin into the <i>AUXSTMPLO</i> and <i>AUXSTMPHO</i> registers. SDP pin (0 to 3) is selected for time stamping, if the SDP pin is selected via the <i>TSSDP.AUX0_SDP_SEL</i> field and the <i>TSSDP.AUX0_TS_SDP_EN</i> bit is set to 1b. |
| AUTT0 | 9 | 0b | Auxiliary Timestamp Taken. Cleared when read from auxiliary timestamp 0 occurred. |
| EN_TS1 | 10 | 0b | Enable Hardware Timestamp 1. Enable timestamping occurrence of change in SDP pin into the <i>AUXSTMP1</i> and <i>AUXSTMPH1</i> registers. SDP pin (0 to 3) is selected for time stamping, if the SDP pin is selected via the <i>TSSDP.AUX1_SDP_SEL</i> field and the <i>TSSDP.AUX1_TS_SDP_EN</i> bit is set to 1b. |
| AUTT1 | 11 | 0b | Auxiliary Timestamp Taken. Cleared when read from auxiliary timestamp 1 occurred. |
| Reserved | 16:12 | 0x0 | Reserved. Write 0x0, ignore on read. |
| PLSG | 17 | 0b | Use Target Time 0 to generate start of pulse and Target Time 1 to generate end of pulse. SDP pin selected to drive pulse or level change is set according to the <i>TSSDP.TS_SDPX_SEL</i> field with a value of 00b and <i>TSSDP.TS_SDPX_EN</i> bit with a value of 1b. 0b = Target Time 0 generates change in SDP level. 1b = Target time 0 generates start of pulse on SDP pin. Note: Pulse or level change is generated when <i>TSAUXC.EN_TT0</i> is set to 1b. |



| Field | Bit(s) | Initial Value | Description |
|-----------------|--------|---------------|---|
| Reserved | 29:18 | 0b | Reserved. Write 0b, ignore on read. |
| Reserved | 30 | 1b | Reserved. Write 1b, ignore on read. |
| Disable systime | 31 | 1b | Disable SYSTIM Count Operation. 0b = SYSTIM timer activated 1b = SYSTIM timer disabled. Value of SYSTIMH, SYSTIML and SYSTIMR remains constant. |

8.15.14 Target Time Register 0 Low - TRGTTIML0 (0xB644; RW)

| Field | Bit(s) | Initial Value | Description |
|-------|--------|---------------|---|
| TTL | 29:0 | 0x0 | Target Time 0 LSB register (defined in ns units). |
| Zero | 31:30 | 0x0 | Zero bits. |

8.15.15 Target Time Register 0 High - TRGTTIMH0 (0xB648; RW)

| Field | Bit(s) | Initial Value | Description |
|-------|--------|---------------|---|
| TTH | 31;0 | 0x0 | Target Time 0 MSB register (defined in second units). |

8.15.16 Target Time Register 1 Low - TRGTTIML1 (0xB64C; RW)

| Field | Bit(s) | Initial Value | Description |
|-------|--------|---------------|---|
| TTL | 29:0 | 0x0 | Target Time 1 LSB register (defined in ns units). |
| Zero | 31:30 | 0x0 | Zero bits. |

8.15.17 Target Time Register 1 High - TRGTTIMH1 (0xB650; RW)

| Field | Bit(s) | Initial Value | Description |
|-------|--------|---------------|---|
| TTH | 31:0 | 0x0 | Target Time 1 MSB register (defined in second units). |



8.15.18 Frequency Out 0 Control Register FREQOUT0 (0xB654; RW)

| Field | Bit(s) | Initial Value | Description |
|----------|--------|---------------|--|
| CHCT | 29:0 | 0x0 | Clock Out Half Cycle Time. Defines the Half Cycle time of Clock 0 in ns units. When clock output is enabled, permitted values are any value larger than 8 and up to including 70,000,000 decimal (70 ms). The following larger values can be used as long as the output clock is synchronized to whole seconds as described in section "Synchronized Output Clock on SDP Pins": 125 ms; 250 ms and 500 ms. |
| Reserved | 31:30 | 0x0 | Reserved. Write 0x0, ignore on read. |

8.15.19 Frequency Out 1 Control Register - FREQOUT1 (0xB658; RW)

| Field | Bit(s) | Initial Value | Description |
|----------|--------|---------------|---|
| CHCT | 29:0 | 0x0 | Clock Out Half Cycle Time defines the Half Cycle time of Clock 1 in ns units. When clock output is enabled, permitted values are any value larger than 8 and up to including 70,000,000 decimal (70 ms). The following larger values can be used as long as the output clock is synchronized to whole seconds as described in section "Synchronized Output Clock on SDP Pins": 125 ms; 250 ms and 500 ms. |
| Reserved | 31:30 | 0x0 | Reserved. Write 0x0, ignore on read. |

8.15.20 Auxiliary Time Stamp 0 Register Low - AUXSTMPLO (0xB65C; RO)

| Field | Bit(s) | Initial Value | Description |
|-------|--------|---------------|---|
| TSTL | 29:0 | 0x0 | Auxiliary Time Stamp 0 LSB value (defined in ns units). |
| Zero | 31:30 | 0x0 | Zero bits. |

8.15.21 Auxiliary Time Stamp 0 Register High -AUXSTMPH0 (0xB660; RO)

Reading this register releases the value stored in AUXSTMPH/L0 and enables timestamping of the next value.

| Field | Bit(s) | Initial Value | Description |
|-------|--------|---------------|---|
| TSTH | 31:0 | 0x0 | Auxiliary Time Stamp 0 MSB value (defined in second units). |

8.15.22 Auxiliary Time Stamp 1 Register Low AUXSTMP1 (0xB664; RO)

| Field | Bit(s) | Initial Value | Description |
|-------|--------|---------------|---|
| TSTL | 29:0 | 0x0 | Auxiliary Time Stamp 1 LSB value (defined in ns units). |
| Zero | 31:30 | 0x0 | Zero bits. |



8.15.23 Auxiliary Time Stamp 1 Register High - AUXSTMPH1 (0xB668; RO)

Reading this register releases the value stored in AUXSTMPH/L1 and enables timestamping of the next value.

| Field | Bit(s) | Initial Value | Description |
|-------|--------|---------------|---|
| TSTH | 31:0 | 0x0 | Auxiliary Time Stamp 1 MSB value (defined in second units). |

8.15.24 Time Sync RX Configuration - TSYNCRXCFG (0x5F50; R/W)

| Field | Bit(s) | Initial Value | Description |
|----------|--------|---------------|---|
| CTRLT | 7:0 | 0x0 | V1 control to timestamp. |
| MSGT | 15:8 | 0x0 | V2 Message Type to timestamp. |
| Reserved | 31:16 | 0x0 | Reserved. Write 0x0, ignore on read. |

8.15.25 Time Sync SDP Configuration Register - TSSDP (0x003C; R/W)

This register defines the assignment of SDP pins to the time sync auxiliary capabilities.

| Field | Bit(s) | Initial Value | Description |
|----------------|--------|---------------|--|
| AUX0_SDP_SEL | 1:0 | 00b | Select one of the SDPs to serve as the trigger for auxiliary time stamp 0 (AUXSTMPL0 and AUXSTMPH0 registers). 00b = SDP0 is assigned. 01b = SDP1 is assigned. 10b = SDP2 is assigned. 11b = SDP3 is assigned. |
| AUX0_TS_SDP_EN | 2 | 0b | When set indicates that one of the SDPs can be used as an external trigger to Aux timestamp 0 (note that if this bit is set to one of the SDP pins, the corresponding pin should be configured to input mode using SPD_DIR). |
| AUX1_SDP_SEL | 4:3 | 00b | Select one of the SDPs to serve as the trigger for auxiliary time stamp 1 (in AUXSTMPL1 and AUXSTMPH1 registers). 00b = SDP0 is assigned. 01b = SDP1 is assigned. 10b = SDP2 is assigned. 11b = SDP3 is assigned. |
| AUX1_TS_SDP_EN | 5 | 0b | When set indicates that one of the SDPs can be used as an external trigger to Aux timestamp 1 (note that if this bit is set to one of the SDP pins, the corresponding pin should be configured to input mode using SPD_DIR). |
| TS_SDP0_SEL | 7:6 | 00b | SDP0 allocation to Tsync event – when TS_SDP0_EN is set, these bits select the Tsync event that is routed to SDP0. 00b = Target time 0 is output on SDP0. 01b = Target time 1 is output on SDP0. 10b = Freq clock 0 is output on SDP0. 11b = Freq clock 1 is output on SDP0. |
| TS_SDP0_EN | 8 | 0b | When set indicates that SDP0 is assigned to Tsync. |



| Field | Bit(s) | Initial Value | Description |
|-------------|--------|---------------|--|
| TS_SDP1_SEL | 10:9 | 00b | SDP1 allocation to Tsync event – when TS_SDP1_EN is set, these bits select the Tsync event that is routed to SDP1. 00b = Target time 0 is output on SDP1. 01b = Target time 1 is output on SDP1. 10b = Freq clock 0 is output on SDP1. 11b = Freq clock 1 is output on SDP1. |
| TS_SDP1_EN | 11 | 0b | When set indicates that SDP1 is assigned to Tsync. |
| TS_SDP2_SEL | 13:12 | 00b | SDP2 allocation to Tsync event – when TS_SDP2_EN is set, these bits select the Tsync event that is routed to SDP2. 00b = Target time 0 is output on SDP2. 01b = Target time 1 is output on SDP2. 10b = Freq clock 0 is output on SDP2. 11b = Freq clock 1 is output on SDP2. |
| TS_SDP2_EN | 14 | 0b | When set indicates that SDP2 is assigned to Tsync. |
| TS_SDP3_SEL | 16:15 | 00b | SDP3 allocation to Tsync event – when TS_SDP3_EN is set, these bits select the Tsync event that is routed to SDP3. 00b = Target time 0 is output on SDP3. 01b = Target time 1 is output on SDP3. 10b = Freq clock 0 is output on SDP3. 11b = Freq clock 1 is output on SDP3. |
| TS_SDP3_EN | 17 | 0b | When set indicates that SDP3 is assigned to Tsync. |
| Reserved | 31:18 | 0x0 | Reserved. Write 0x0, ignore on read. |

8.16 Time Sync Interrupt Registers

8.16.1 Time Sync Interrupt Cause Register - TSICR (0xB66C; RC/W1C)

Note: Once *ICR.Time_Sync* is set, the internal value of this register should be cleared by writing 1b to all bits or cleared by a read to enable receiving an additional *ICR.Time_Sync* interrupt.

| Field | Bit(s) | Initial Value | Description |
|----------|--------|---------------|--|
| SYS WARP | 0 | 0b | SYSTIM Warp around. Set when SYSTIML This event should happen every second. |
| TXTS | 1 | 0b | Transmit Timestamp. Set when new timestamp is loaded into <i>TXSTMP</i> register. |
| RXTS | 2 | 0b | Receive Timestamp. Set when new timestamp is loaded into <i>RXSTMP</i> register. |
| TT0 | 3 | 0b | Target Time 0 Trigger. Set when target time 0 (<i>TRGTTIML/H0</i>) trigger occurs. This interrupt is enabled only if the EN_TT0 flag in the TSAUXC register is set. Note that this interrupt cause is set also by CLK0 output which is based on <i>TRGTTIMO</i> . |
| TT1 | 4 | 0b | Target Time 1 Trigger. Set when target time 1 (<i>TRGTTIML/H1</i>) trigger occurs. This interrupt is enabled only if the EN_TT1 flag in the TSAUXC register is set. Note that this interrupt cause is set also by CLK1 output which is based on <i>TRGTTIM1</i> . |
| AUTT0 | 5 | 0b | Auxiliary Timestamp 0 Taken. Set when new timestamp is loaded into AUXSTMP 0 (auxiliary timestamp 0) register. |



| Field | Bit(s) | Initial Value | Description |
|----------|--------|---------------|---|
| AUTT1 | 6 | 0b | Auxiliary Timestamp 1 Taken. Set when new timestamp is loaded into AUXSTMP 1 (auxiliary timestamp 1) register. |
| TADJ | 7 | 0b | Time Adjust Done. Set when time adjust-to-SYSTIM completes. |
| Reserved | 31:8 | 0x0 | Reserved. Write 0x0, ignore on read. |

8.16.2 Time Sync Interrupt Mask Register - TSIM (0xB674; RW)

| Field | Bit(s) | Initial Value | Description |
|----------|--------|---------------|--|
| SYS WARP | 0 | 0b | SYSTIM Warp Around Mask. 0b = No interrupt generated when <i>TSICR.SWARP</i> is set. 1b= Interrupt generated when <i>TSICR.SWARP</i> is set. |
| TXTS | 1 | 0b | Transmit Timestamp Mask. 0b = No interrupt generated when <i>TSICR.TXTS</i> is set. 1b= Interrupt generated when <i>TSICR.TXTS</i> is set. |
| RXTS | 2 | 0b | Receive Timestamp Mask. 0b = No interrupt generated when <i>TSICR.RXTS</i> is set. 1b= Interrupt generated when <i>TSICR.RXTS</i> is set. |
| TT0 | 3 | 0b | Target time 0 Trigger Mask. 0b = No interrupt generated when <i>TSICR.TT0</i> is set. 1b= Interrupt generated when <i>TSICR.TT0</i> is set. |
| TT1 | 4 | 0b | Target time 1 Trigger Mask. 0b = No interrupt generated when <i>TSICR.TT1</i> is set. 1b= Interrupt generated when <i>TSICR.TT1</i> is set. |
| AUTT0 | 5 | 0b | Auxiliary Timestamp 0 Taken Mask. 0b = No interrupt generated when <i>TSICR.AUTT0</i> is set. 1b= Interrupt generated when <i>TSICR.AUTT0</i> is set. |
| AUTT1 | 6 | 0b | Auxiliary Timestamp 1 Taken Mask. 0b = No interrupt generated when <i>TSICR.AUTT1</i> is set. 1b = Interrupt generated when <i>TSICR.AUTT1</i> is set. |
| TADJ | 7 | 0b | Time Adjust 0 Done Mask. 0b = No interrupt generated when <i>TSICR.TADJ</i> is set. 1b = Interrupt generated when <i>TSICR.TADJ</i> is set. |
| Reserved | 31:8 | 0x0 | Reserved. Write 0x0, ignore on read. |

8.17 PCS Register Descriptions

These registers are used to configure the SerDes, SGMII and 1000BASE-KX PCS logic. Usage of these registers is described in [Section 3.7.4.1](#) and [Section 3.7.4.3](#).



8.17.1 PCS Configuration - PCS_CFG (0x4200; R/W)

| Field | Bit(s) | Initial Value | Description |
|-------------|--------|---------------|--|
| Reserved | 2:0 | 0x0 | Reserved. Write 0x0, ignore on read. |
| PCS Enable | 3 | 1b | PCS Enable. Enables the PCS logic of the MAC. Should be set in SGMII, 1000BASE-KX and SerDes mode for normal operation. Clearing this bit disables Rx/Tx of both data and control codes. Use this to force link down at the far end. |
| Reserved | 29:4 | 0x0 | Reserved. Write 0x0, ignore on read. |
| PCS Isolate | 30 | 0b | PCS Isolate. Setting this bit isolates the PCS logic from the MAC's data path. PCS control codes are still sent and received. |
| SRESET | 31 | 0b | Soft Reset. Setting this bit puts all modules within the MAC in reset except the Host Interface. The Host Interface is reset via HRST. This bit is NOT self clearing; GMAC is in a reset state until this bit is cleared. |

8.17.2 PCS Link Control - PCS_LCTL (0x4208; RW)

| Field | Bit(s) | Initial Value | Description |
|---------------------|--------|---------------|---|
| FLV | 0 | 0b | Forced Link Value. This bit denotes the link condition when force link is set. 0b = Forced link down. 1b = Forced link up. |
| FSV | 2:1 | 10b | Forced Speed Value. These bits denote the speed when force speed and duplex (<i>PCS_LCTL.FSD</i>) bit is set. This value is also used when AN is disabled or when in SerDes mode. 00b = 10 Mb/s (SGMII). 01b = 100 Mb/s (SGMII). 10b = 1000 Mb/s (SerDes/SGMII/1000BASE-KX). 11b = Reserved. |
| FDV | 3 | 1b | Forced Duplex Value. This bit denotes the duplex mode when force speed and duplex (<i>PCS_LCTL.FSD</i>) bit is set. This value is also used when AN is disabled or when in SerDes mode. 1b = Full duplex (SerDes/SGMII/1000BASE-KX). 0b = Half duplex (SGMII). |
| FSD | 4 | 0b | Force Speed and Duplex. If this bit is set, then speed and duplex mode is forced to forced speed value and forced duplex value, respectively. Otherwise, speed and duplex mode are decided by internal AN/SYNC state machines. |
| Force Link | 5 | 0b | Force Link. If this bit is set, then the internal LINK_OK variable is forced to forced link value (bit 0 of this register). Otherwise, LINK_OK is decided by internal AN/SYNC state machines. |
| LINK LATCH LOW (LL) | 6 | 0b | Link Latch Low Enable. If this bit is set, then link OK going LOW (negative edge) is latched until a processor read. Afterwards, link OK is continuously updated until link OK again goes LOW (negative edge is seen). |



| Field | Bit(s) | Initial Value | Description |
|--------------------|--------|-----------------|--|
| Force Flow Control | 7 | 0b | 0b = Flow control mode is set according to the AN process by following Table 37-4 in the IEEE 802.3 specification. 1b = Flow control is set according to FC_TX_EN / FC_RX_EN bits in CTRL register. |
| Reserved | 15:8 | 0x0 | Reserved. Write 0x0, ignore on read. |
| AN_ENABLE | 16 | 0b ¹ | AN Enable. Setting this bit enables the AN process in SerDes operating mode. Note: When link-up is forced (<i>CTRL.SLU</i> =1b) the AN_ENABLE bit should be 0b. |
| AN RESTART (SC) | 17 | 0b | AN Restart. Used to reset/restart the link auto-negotiation process when using SerDes mode. Setting this bit restarts the auto-negotiation process. This bit is self clearing. |
| AN TIMEOUT EN | 18 | 1b ¹ | AN Timeout Enable. This bit enables the AN timeout feature. During AN, if the link partner does not respond with AN pages, but continues to send good IDLE symbols, then LINK UP is assumed. (This enables LINK UP condition when link partner is not AN-capable and does not affect otherwise). This bit should not be set in SGMII mode. |
| AN SGMII BYPASS | 19 | 0b | AN SGMII Bypass. If this bit is set, then IDLE detect state is bypassed during AN in SGMII mode. This reduces the acknowledge time in SGMII mode. |
| AN SGMII TRIGGER | 20 | 1b | AN SGMII Trigger. If this bit is cleared, then AN is not automatically triggered in SGMII mode even if SYNC fails. AN is triggered only in response to PHY messages or by a manual setting like changing the AN Enable/Restart bits. |
| Reserved | 23:21 | 0x0 | Reserved. Write 0x0, ignore on read. |
| FAST LINK TIMER | 24 | 0b | Fast Link Timer. AN timer is reduced if this bit is set. |
| LINK OK FIX EN | 25 | 1b | Link OK Fix Enable. Control for enabling/disabling LinkOK/SyncOK fix. Should be set for normal operation. |
| Reserved | 31: | 0x0 | Reserved. Write 0x0, ignore on read. |

1. Bit loaded from Flash.

8.17.3 PCS Link Status - PCS_LSTS (0x420C; RO)

| Field | Bit(s) | Initial Value | Description |
|---------|--------|---------------|---|
| LINK OK | 0 | 0b | Link OK. This bit denotes the current link OK status. 0b = Link down. 1b = Link up/OK. |
| SPEED | 2:1 | 10b | Speed. This bit denotes the current operating speed. 00b = 10 Mb/s. 01b = 100 Mb/s. 10b = 1000 Mb/s. 11b = Reserved. |
| DUPLEX | 3 | 1b | Duplex. This bit denotes the current duplex mode. 1b = Full duplex. 0b = Half duplex. |



| Field | Bit(s) | Initial Value | Description |
|------------------|--------|---------------|---|
| SYNC OK | 4 | 0b | Sync OK. This bit indicates the current value of Sync OK from the PCS Sync state machine. |
| Reserved | 15:5 | 0x0 | Reserved. Write 0x0, ignore on read. |
| AN COMPLETE | 16 | 0b | AN Complete. This bit indicates that the AN process has completed. This bit is set when the AN process reached the Link OK state. It is reset upon AN restart or reset. It is set even if the AN negotiation failed and no common capabilities were found. |
| AN PAGE RECEIVED | 17 | 0b | AN Page Received. This bit indicates that a link partner's page was received during an AN process. This bit is cleared on reads. |
| AN TIMEDOUT | 18 | 0b | AN Timed Out. This bit indicates an AN process was timed out. Valid after the <i>AN Complete</i> bit is set. |
| AN REMOTE FAULT | 19 | 0b | AN Remote Fault. This bit indicates that an AN page was received with a remote fault indication during an AN process. This bit cleared on reads. |
| AN ERROR (RWM) | 20 | 0B | AN Error. This bit indicates that a AN error condition was detected in SerDes/SGMII mode. Valid after the <i>AN Complete</i> bit is set. AN error conditions: SerDes mode: Both nodes not Full Duplex SGMII mode: PHY is set to 1000 Mb/s Half Duplex mode. Software can also force a AN error condition by writing to this bit (or can clear a existing AN error condition). This bit is cleared at the start of AN. |
| Reserved | 31:21 | 0x0 | Reserved. Write 0x0, ignore on read. |

8.17.4 AN Advertisement - PCS_ANADV (0x4218; R/W)

| Field | Bit(s) | Initial Value | Description |
|------------|--------|------------------|--|
| Reserved | 4:0 | 0x0 | Reserved. Write 0, ignore on read. |
| FDCAP | 5 | 1b | Full Duplex. Setting this bit indicates that the I210 is capable of full duplex operation. This bit should be set to 1b for normal operation. |
| HDCAP (RO) | 6 | 0b | Half Duplex. This bit indicates that the I210 is capable of half duplex operation. This bit is tied to 0b because the I210 does not support half duplex in SerDes mode. |
| ASM | 8:7 | 00b ¹ | Local PAUSE Capabilities. The I210's PAUSE capability is encoded in this field. 00b = No PAUSE. 01b = Symmetric PAUSE. 10b = Asymmetric PAUSE to link partner. 11b = Both symmetric and asymmetric PAUSE to the I210. |
| Reserved | 11:9 | 0x0 | Reserved. Write 0x0, ignore on read. |



| Field | Bit(s) | Initial Value | Description |
|----------|--------|---------------|--|
| RFLT | 13:12 | 00b | Remote Fault. The I210's remote fault condition is encoded in this field. The I210 might indicate a fault by setting a non-zero remote fault encoding and re-negotiating. 00b = No error, link OK. 01b = Link failure. 10b = Offline. 11b = Auto-negotiation error. |
| Reserved | 14 | 0x0 | Reserved. Write 0x0, ignore on read. |
| NEXTP | 15 | 0b | Next Page Capable. The I210 asserts this bit to request a next page transmission. The I210 clears this bit when no subsequent next pages are requested. |
| Reserved | 31:16 | 0x0 | Reserved. |

1. Loaded from Flash word 0x0F, bits 13:12.

8.17.5 Link Partner Ability - PCS_LPAB (0x421C; RO)

| Field | Bit(s) | Initial Value | Description |
|-------------|--------|---------------|--|
| Reserved | 4:0 | 0x0 | Reserved. |
| LPFD | 5 | 0b | LP Full Duplex (SerDes). When set to 1b, the link partner is capable of full duplex operation. When set to 0b, the link partner is not capable of full duplex mode. This bit is reserved while in SGMII mode. |
| LPHD | 6 | 0b | LP Half Duplex (SerDes). When set to 1b, the link partner is capable of half duplex operation. When set to 0b, the link partner is not capable of half duplex mode. This bit is reserved while in SGMII mode. |
| LPASM | 8:7 | 00b | LP ASMDR/LP PAUSE (SerDes). The link partner's PAUSE capability is encoded in this field. 00b = No PAUSE. 01b = Symmetric PAUSE. 10b = Asymmetric PAUSE to link partner. 11b = Both symmetric and asymmetric PAUSE to the I210. These bits are reserved while in SGMII mode. |
| Reserved | 9 | 0b | Reserved. Write 0b, ignore on read. |
| SGMII SPEED | 11:10 | 00b | SerDes: Reserved. Speed (SGMII): Speed indication from the PHY. |
| PRF | 13:12 | 00b | LP Remote Fault (SerDes). The link partner's remote fault condition is encoded in this field. 00b = No error, link OK. 10b = Link failure. 01b = Offline. 11b = Auto-negotiation error. SGMII [13]: Reserved. SGMII [12]: Duplex mode indication from the PHY. |



| Field | Bit(s) | Initial Value | Description |
|----------|--------|---------------|--|
| ACK | 14 | 0b | Acknowledge (SerDes). The link partner has acknowledged receiving a page. SGMII: Reserved. |
| LPNEXTP | 15 | 0b | LP Next Page Capable (SerDes). The link partner asserts this bit to indicate its ability to accept next pages. SGMII: Link OK indication from the PHY. |
| Reserved | 31:16 | 0x0 | Reserved. Write 0x0, ignore on read. |

8.17.6 Next Page Transmit - PCS_NPTX (0x4220; RW)

| Field | Bit(s) | Initial Value | Description |
|----------|--------|---------------|---|
| CODE | 10:0 | 0x0 | Message/Unformatted Code Field. The <i>Message</i> field is an 11-bit wide field that encodes 2048 possible messages. The <i>Unformatted Code</i> field is an 11-bit wide field that might contain an arbitrary value. |
| TOGGLE | 11 | 0b | Toggle. This bit is used to ensure synchronization with the link partner during next page exchange. This bit always takes the opposite value of the <i>Toggle</i> bit in the previously exchanged Link Code word. The initial value of the <i>Toggle</i> bit in the first next page transmitted is the inverse of bit 11 in the base Link Code word and, therefore, can assume a value of 0b or 1b. The <i>Toggle</i> bit is set as follows: 0b = Previous value of the transmitted Link Code word when 1b. 1b = Previous value of the transmitted Link Code word when 0b. |
| ACK2 | 12 | 0b | Acknowledge 2. Used to indicate that a device has successfully received its Link Partners' Link Code word. |
| PGTYPE | 13 | 0b | Message/Unformatted Page. This bit is used to differentiate a message page from an unformatted page. The encoding is: 0b = Unformatted page. 1b = Message page. |
| Reserved | 14 | - | Reserved. Write 0b, ignore on read. |
| NXTPG | 15 | 0b | Next Page. Used to indicate whether or not this is the last next page to be transmitted. The encoding is: 0b = Last page. 1b = Additional next pages follow. |
| Reserved | 31:16 | - | Reserved. Write 0x0, ignore on read. |



8.17.7 Link Partner Ability Next Page - PCS_LPABNP (0x4224; RO)

| Field | Bit(s) | Initial Value | Description |
|----------|--------|---------------|---|
| CODE | 10:0 | - | Message/Unformatted Code Field. The <i>Message</i> field is an 11-bit wide field that encodes 2048 possible messages. The <i>Unformatted Code</i> field is an 11-bit wide field that might contain an arbitrary value. |
| TOGGLE | 11 | - | Toggle. This bit is used to ensure synchronization with the link partner during next page exchange. This bit always takes the opposite value of the <i>Toggle</i> bit in the previously exchanged Link Code word. The initial value of the <i>Toggle</i> bit in the first next page transmitted is the inverse of bit 11 in the base Link Code word and, therefore, can assume a value of 0b or 1b. The <i>Toggle</i> bit is set as follows: 0b = Previous value of the transmitted Link Code word when 1b. 1b = Previous value of the transmitted Link Code word when 0b. |
| ACK2 | 12 | - | Acknowledge 2. Used to indicate that a device has successfully received its Link Partners' Link Code word. |
| MSGPG | 13 | - | Message Page. This bit is used to differentiate a message page from an unformatted page. The encoding is: 0b = Unformatted page. 1b = Message page. |
| ACK | 14 | - | Acknowledge. The link partner has acknowledged receiving a next page. |
| NXTPG | 15 | - | Next Page. Used to indicate whether or not this is the last next page to be transmitted. The encoding is: 0b = Last page. 1b = Additional Next Pages follow. |
| Reserved | 31:16 | - | Reserved. Write 0x0, ignore on read. |

8.17.8 SFP I²C Command- I2CCMD (0x1028; R/W)

This register is used by software or firmware to read or write to the configuration registers in an SFP module when either the *CTRL_EXT.I2C Enabled* or the *CTRL_EXT.I2C over SDP Enabled* bit is set to 1b. Prior to write accessing this register, the I²C semaphore ownership must be taken, and released at the end of the access sequence.

Note: According to the SFP specification, only reads are allowed from this interface; however, SFP vendors also provide a writable register through this interface (for example, PHY registers). As a result, write capability is also supported.



| Field | Bit(s) | Initial Value | Description |
|--------|--------|---------------|--|
| DATA | 15:0 | X | Data. In a Write command, software places the data bits and then the MAC shifts them out to the I ² C bus. In a Read command, the MAC reads these bits serially from the I ² C bus and then software reads them from this location. Note: This field is read in byte order and not in word order. |
| REGADD | 23:16 | 0x0 | I ² C Register Address. For example, register 0, 1, 2... 255. |
| PHYADD | 26:24 | 0x0 | Device Address Bits 3 -1. The actual address used is b{1010, PHYADD[2:0], 0}. On power up, FW loads a default value from the PHY_ADD field in NVM Initialization Control 4 (word 0x13). |
| OP | 27 | 0b | Op-code. 0b = I ² C write. 1b = I ² C read. |
| Reset | 28 | 0b | Reset Sequence. If set, sends a reset sequence before the actual read or write. This bit is self clearing. A reset sequence is defined as nine consecutive stop conditions. |
| R | 29 | 0b | Ready Bit. Set to 1b by the I210 at the end of the I ² C transaction. For example, indicates a read or write completed. Reset by a software write of a command. |
| I | 30 | 0b | Interrupt Enable. When set to 1b by software, it causes an interrupt to be asserted to indicate the end of an I ² C cycle (ICR.MDAC). |
| E | 31 | 0b | Error. This bit set is to 1b by hardware when it fails to complete an I ² C read. Reset by a software write of a command. Note: Bit is valid only when <i>Ready</i> bit is set. |

8.17.9 SFP I2C Parameters - I2CPARAMS (0x102C; R/W)

This register is used to set the parameters for the I²C access to the SFP module and to enable bit-banging access to the I²C interface, when either the *CTRL_EXT.I2C Enabled* or the *CTRL_EXT.I2C over SDP Enabled* bit is set to 1b. Prior to write accessing this register, the I²C semaphore ownership must be taken, and released at the end of the access sequence.

| Field | Bit(s) | Initial Value | Description |
|------------|--------|---------------|--|
| Write Time | 4:0 | 110b | Write Time. Defines the delay between a write access and the next access. The value is in milliseconds. A value of zero is not valid. |
| Read Time | 7:5 | 010b | Read Time. Defines the delay between a read access and the next access. The value is in microseconds. A value of Zero is not valid |
| I2CBB_EN | 8 | 0b | I ² C Bit-bang Enable. If set, the I ² C_CLK and I ² C_DATA lines are controlled via the CLK, DATA and DATA_OE_N fields of this register. Otherwise, they are controlled by the hardware machine activated via the I2CCMD or MDIC registers. |
| CLK | 9 | 0b | I ² C Clock. While in bit-bang mode, controls the value driven on the I2C_CLK pad. |



| Field | Bit(s) | Initial Value | Description |
|-----------------|--------|---------------|--|
| DATA_OUT | 10 | 0b | I ² C_DATA. While in bit-bang mode and when the DATA_OE_N field is zero, controls the value driven on the I2C_DATA pad. |
| DATA_OE_N | 11 | 0b | I ² C_DATA_OE_N. While in bit-bang mode, controls the direction of the I2C_DATA pad. 0b = Pad is output. 1b = Pad is input. |
| DATA_IN (RO) | 12 | X | I ² C_DATA_IN. Reflects the value of the I2C_DATA pad. While in bit-bang mode when the DATA_OE_N field is zero, this field reflects the value set in the DATA_OUT field. |
| CLK_OE_N | 13 | 0b | I ² C Clock Output Enable. While in bit-bang mode, controls the direction of the I2C_CLK pad. 0b = Pad is output. 1b = Pad is input. |
| CLK_IN (RO) | 14 | X | I ² C Clock In Value. Reflects the value of the I2C_CLK pad. While in bit-bang mode when the CLK_OE_N field is zero, this field reflects the value set in the CLK_OUT field. |
| clk_stretch_dis | 15 | 0b | 0b = Enable slave clock stretching support in I ² C access. 1b = Disable clock stretching support in I ² C access. |
| Reserved | 31:16 | 0x0 | Reserved. Write 0x0, ignore on read. |

8.18 Statistics Register Descriptions

All Statistics registers reset when read. In addition, they stick at 0xFFFF_FFFF when the maximum value is reached.

For the receive statistics it should be noted that a packet is indicated as received if it passes the I210's filters and is placed into the packet buffer memory. A packet does not have to be transferred to host memory in order to be counted as received.

Due to divergent paths between interrupt-generation and logging of relevant statistics counts, it might be possible to generate an interrupt to the system for a noteworthy event prior to the associated statistics count actually being incremented. This is extremely unlikely due to expected delays associated with the system interrupt-collection and ISR delay, but might be observed as an interrupt for which statistics values do not quite make sense. Hardware guarantees that any event noteworthy of inclusion in a statistics count is reflected in the appropriate count within 1 μs; a small time-delay prior to a read of statistics might be necessary to avoid the potential for receiving an interrupt and observing an inconsistent statistics count as part of the ISR.

8.18.1 CRC Error Count - CRCERRS (0x4000; RC)

Counts the number of receive packets with CRC errors. In order for a packet to be counted in this register, it must pass address filtering and must be 64 bytes or greater (from <Destination Address> through <CRC>, inclusively) in length. If receives are not enabled, then this register does not increment.

| Field | Bit(s) | Initial Value | Description |
|-------|--------|---------------|------------------|
| CEC | 31:0 | 0x0 | CRC Error Count. |



8.18.2 Alignment Error Count - ALGNERRC (0x4004; RC)

Counts the number of receive packets with alignment errors (the packet is not an integer number of bytes in length). In order for a packet to be counted in this register, it must pass address filtering and must be 64 bytes or greater (from <Destination Address> through <CRC>, inclusive) in length. If receives are not enabled, then this register does not increment. This register is valid only in MII mode during 10/100 Mb/s operation.

| Field | Bit(s) | Initial Value | Description |
|-------|--------|---------------|------------------------|
| AEC | 31:0 | 0x0 | Alignment Error Count. |

8.18.3 Symbol Error Count - SYMERRS (0x4008; RC)

Counts the number of symbol errors between reads. The count increases for every bad symbol received, whether or not a packet is currently being received and whether or not the link is up. When working in SerDes/SGMII/1000BASE-KX mode these statistics can be read from the SCVPC register.

| Field | Bit(s) | Initial Value | Description |
|---------|--------|---------------|---------------------|
| SYMERRS | 31:0 | 0x0 | Symbol Error Count. |

8.18.4 RX Error Count - RXERRC (0x400C; RC)

Counts the number of packets received in which RX_ER was asserted by the PHY. In order for a packet to be counted in this register, it must pass address filtering and must be 64 bytes or greater (from <Destination Address> through <CRC>, inclusive) in length. If receives are not enabled, then this register does not increment.

This register is not available in SerDes/SGMII/1000BASE-KX modes.

| Field | Bit(s) | Initial Value | Description |
|-------|--------|---------------|----------------|
| RXEC | 31:0 | 0x0 | Rx Error Count |

8.18.5 Missed Packets Count - MPC (0x4010; RC)

Counts the number of missed packets. Packets are missed when the receive FIFO has insufficient space to store the incoming packet. This can be caused because of too few buffers allocated, or because there is insufficient bandwidth on the PCI bus. Events setting this counter causes *ICR.Rx Miss*, the Receiver Overrun interrupt, to be set. This register does not increment if receives are not enabled.

These packets are also counted in the Total Packets Received register as well as in Total Octets Received register.

| Field | Bit(s) | Initial Value | Description |
|-------|--------|---------------|-----------------------|
| MPC | 31:0 | 0x0 | Missed Packets Count. |



8.18.6 Single Collision Count - SCC (0x4014; RC)

This register counts the number of times that a successfully transmitted packet encountered a single collision. This register only increments if transmits are enabled (*TCTL.EN* is set) and the I210 is in half-duplex mode.

| Field | Bit(s) | Initial Value | Description |
|-------|--------|---------------|--|
| SCC | 31:0 | 0x0 | Number of times a transmit encountered a single collision. |

8.18.7 Excessive Collisions Count - ECOL (0x4018; RC)

When 16 or more collisions have occurred on a packet, this register increments, regardless of the value of collision threshold. If collision threshold is set below 16, this counter won't increment. This register only increments if transmits are enabled (*TCTL.EN* is set) and the I210 is in half-duplex mode.

| Field | Bit(s) | Initial Value | Description |
|-------|--------|---------------|---|
| ECC | 31:0 | 0x0 | Number of packets with more than 16 collisions. |

8.18.8 Multiple Collision Count - MCC (0x401C; RC)

This register counts the number of times that a transmit encountered more than one collision but less than 16. This register only increments if transmits are enabled (*TCTL.EN* is set) and the I210 is in half-duplex mode.

| Field | Bit(s) | Initial Value | Description |
|-------|--------|---------------|--|
| MCC | 31:0 | 0x0 | Number of times a successful transmit encountered multiple collisions. |

8.18.9 Late Collisions Count - LATECOL (0x4020; RC)

Late collisions are collisions that occur after one slot time. This register only increments if transmits are enabled (*TCTL.EN* is set) and the I210 is in half-duplex mode.

| Field | Bit(s) | Initial Value | Description |
|-------|--------|---------------|---|
| LCC | 31:0 | 0x0 | Number of packets with late collisions. |

8.18.10 Collision Count - COLC (0x4028; RC)

This register counts the total number of collisions seen by the transmitter. This register only increments if transmits are enabled (*TCTL.EN* is set) and the I210 is in half-duplex mode.

| Field | Bit(s) | Initial Value | Description |
|-------|--------|---------------|--|
| CCC | 31:0 | 0x0 | Total number of collisions experienced by the transmitter. |



8.18.11 Defer Count - DC (0x4030; RC)

This register counts defer events. A defer event occurs when the transmitter cannot immediately send a packet due to the medium being busy either because another device is transmitting, the IPG timer has not expired, half-duplex deferral events, reception of XOFF frames, or the link is not up. This register only increments if transmits are enabled (*TCTL.EN* is set). This counter does not increment for streaming transmits that are deferred due to TX IPG.

| Field | Bit(s) | Initial Value | Description |
|-------|--------|---------------|-------------------------|
| CDC | 31:0 | 0x0 | Number of defer events. |

8.18.12 Transmit with No CRS - TNCRS (0x4034; RC)

This register counts the number of successful packet transmissions in which the CRS input from the PHY was not asserted within one slot time of start of transmission from the MAC. Start of transmission is defined as the assertion of TX_EN to the PHY.

The PHY should assert CRS during every transmission. This register only increments if transmits are enabled (*TCTL.EN* is set). This register is not valid in SGMII mode, in full-duplex mode, and in 100 Mbps half-duplex mode .

| Field | Bit(s) | Initial Value | Description |
|-------|--------|---------------|---|
| TNCRS | 31:0 | 0x0 | Number of transmissions without a CRS assertion from the PHY. |

8.18.13 Host Transmit Discarded Packets by MAC Count - HTDPMC (0x403C; RC)

This register counts the number of packets sent by the host (and not the manageability engine) that are dropped by the MAC. This can include packets dropped because of excessive collisions or link fail events.

| Field | Bit(s) | Initial Value | Description |
|--------|--------|---------------|--|
| HTDPMC | 31:0 | 0x0 | Number of packets sent by the host but discarded by the MAC. |

8.18.14 Receive Length Error Count - RLEC (0x4040; RC)

This register counts receive length error events. A length error occurs if an incoming packet passes the filter criteria but is undersized or oversized. Packets less than 64 bytes are undersized. Packets over 1518, 1522 or 1526 bytes (according to the number of VLAN tags present) are oversized if Long Packet Enable (*RCTL.LPE*) is 0b. If *LPE* is 1b, then an incoming, packet is considered oversized if it exceeds the size defined in *RLPML.RLPML* field.

If receives are not enabled, this register does not increment. These lengths are based on bytes in the received packet from <Destination Address> through <CRC>, inclusive. Packets sent to the manageability engine are included in this counter.

Note: Runt packets smaller than 25 bytes may not be counted by this counter.



| Field | Bit(s) | Initial Value | Description |
|-------|--------|---------------|---|
| RLEC | 31:0 | 0x0 | Number of packets with receive length errors. |

8.18.15 XON Received Count - XONRXC (0x4048; RC)

This register counts the number of valid XON packets received. XON packets can use the global address, or the station address. This register only increments if receives are enabled (*RCTL.RXEN* is set).

| Field | Bit(s) | Initial Value | Description |
|--------|--------|---------------|---------------------------------|
| XONRXC | 31:0 | 0x0 | Number of XON packets received. |

8.18.16 XON Transmitted Count - XONTXC (0x404C; RC)

This register counts the number of XON packets transmitted. These can be either due to a full queue or due to software initiated action (using *TCTL.SWXOFF*). This register only increments if transmits are enabled (*TCTL.EN* is set).

| Field | Bit(s) | Initial Value | Description |
|--------|--------|---------------|------------------------------------|
| XONTXC | 31:0 | 0x0 | Number of XON packets transmitted. |

8.18.17 XOFF Received Count - XOFRXC (0x4050; RC)

This register counts the number of valid XOFF packets received. XOFF packets can use the global address or the station address. This register only increments if receives are enabled (*RCTL.RXEN* is set).

| Field | Bit(s) | Initial Value | Description |
|--------|--------|---------------|----------------------------------|
| XOFRXC | 31:0 | 0x0 | Number of XOFF packets received. |

8.18.18 XOFF Transmitted Count - XOFTXC (0x4054; RC)

This register counts the number of XOFF packets transmitted. These can be either due to a full queue or due to software initiated action (using *TCTL.SWXOFF*). This register only increments if transmits are enabled (*TCTL.EN* is set).

| Field | Bit(s) | Initial Value | Description |
|--------|--------|---------------|-------------------------------------|
| XOFTXC | 31:0 | 0x0 | Number of XOFF packets transmitted. |

8.18.19 FC Received Unsupported Count - FCRUC (0x4058; RC)

This register counts the number of unsupported flow control frames that are received.



The *FCRUC* counter increments when a flow control packet is received that matches either the reserved flow control multicast address (in the *FCAH/L* register) or the MAC station address, and has a matching flow control type field match (value in the *FCT* register), but has an incorrect op-code field. This register only increments if receives are enabled (*RCTL.RXEN* is set).

Note: When the *RCTL.PMCF* bit is set to 1b then the *FCRUC* counter increments after receiving packets that don't match standard address filtering.

| Field | Bit(s) | Initial Value | Description |
|-------|--------|---------------|---|
| FCRUC | 31:0 | 0x0 | Number of unsupported flow control frames received. |

8.18.20 Packets Received [64 Bytes] Count - PRC64 (0x405C; RC)

This register counts the number of good packets received that are exactly 64 bytes (from <Destination Address> through <CRC>, inclusive) in length. Packets that are counted in the Missed Packet Count register are not counted in this register. Packets sent to the manageability engine are included in this counter. This register does not include received flow control packets and increments only if receives are enabled (*RCTL.RXEN* is set).

| Field | Bit(s) | Initial Value | Description |
|-------|--------|---------------|---|
| PRC64 | 31:0 | 0x0 | Number of packets received that are 64 bytes in length. |

8.18.21 Packets Received [65–127 Bytes] Count - PRC127 (0x4060; RC)

This register counts the number of good packets received that are 65-127 bytes (from <Destination Address> through <CRC>, inclusive) in length. Packets that are counted in the Missed Packet Count register are not counted in this register. Packets sent to the manageability engine are included in this counter. This register does not include received flow control packets and increments only if receives are enabled (*RCTL.RXEN* is set).

| Field | Bit(s) | Initial Value | Description |
|--------|--------|---------------|---|
| PRC127 | 31:0 | 0x0 | Number of packets received that are 65-127 bytes in length. |

8.18.22 Packets Received [128–255 Bytes] Count - PRC255 (0x4064; RC)

This register counts the number of good packets received that are 128-255 bytes (from <Destination Address> through <CRC>, inclusive) in length. Packets that are counted in the Missed Packet Count register are not counted in this register. Packets sent to the manageability engine are included in this counter. This register does not include received flow control packets and increments only if receives are enabled (*RCTL.RXEN* is set).

| Field | Bit(s) | Initial Value | Description |
|--------|--------|---------------|--|
| PRC255 | 31:0 | 0x0 | Number of packets received that are 128-255 bytes in length. |



8.18.23 Packets Received [256–511 Bytes] Count - PRC511 (0x4068; RC)

This register counts the number of good packets received that are 256-511 bytes (from <Destination Address> through <CRC>, inclusive) in length. Packets that are counted in the Missed Packet Count register are not counted in this register. Packets sent to the manageability engine are included in this counter. This register does not include received flow control packets and increments only if receives are enabled (*RCTL.RXEN* is set).

| Field | Bit(s) | Initial Value | Description |
|--------|--------|---------------|--|
| PRC511 | 31:0 | 0x0 | Number of packets received that are 256-511 bytes in length. |

8.18.24 Packets Received [512–1023 Bytes] Count - PRC1023 (0x406C; RC)

This register counts the number of good packets received that are 512-1023 bytes (from <Destination Address> through <CRC>, inclusive) in length. Packets that are counted in the Missed Packet Count register are not counted in this register. Packets sent to the manageability engine are included in this counter. This register does not include received flow control packets and increments only if receives are enabled (*RCTL.RXEN* is set).

| Field | Bit(s) | Initial Value | Description |
|---------|--------|---------------|---|
| PRC1023 | 31:0 | 0x0 | Number of packets received that are 512-1023 bytes in length. |

8.18.25 Packets Received [1024 to Max Bytes] Count - PRC1522 (0x4070; RC)

This register counts the number of good packets received that are from 1024 bytes to the maximum (from <Destination Address> through <CRC>, inclusive) in length. The maximum is dependent on the current receiver configuration (for example, *RCTL.LPE*, etc.) and the type of packet being received. If a packet is counted in Receive Oversized Count, it is not counted in this register (refer to [Section 8.18.37](#)). This register does not include received flow control packets and only increments if the packet has passed address filtering and receives are enabled (*RCTL.RXEN* is set). Packets sent to the manageability engine are included in this counter.

Due to changes in the standard for maximum frame size for VLAN tagged frames in 802.3, the I210 accepts packets that have a maximum length of 1522 bytes. The RMON statistics associated with this range has been extended to count 1522 byte long packets. If *CTRL_EXT.EXT_VLAN* is set, packets up to 1526 bytes are counted by this counter.

| Field | Bit(s) | Initial Value | Description |
|---------|--------|---------------|---|
| PRC1522 | 31:0 | 0x0 | Number of packets received that are 1024-Max bytes in length. |

8.18.26 Good Packets Received Count - GPRC (0x4074; RC)

This register counts the number of good packets received of any legal length. The legal length for the received packet is defined by the value of Long Packet Enable (*RCTL.LPE*) (refer to [Section 8.18.37](#)). This register does not include received flow control packets and only counts packets that pass filtering. This register only increments if receives are enabled (*RCTL.RXEN* is set). This register does not count packets counted by the Missed Packet Count (MPC) register. Packets sent to the manageability engine (MNGPRC) or dropped by the VMDq queueing process (SDPC) are included in this counter.



Note: *GPRC* can count packets interrupted by a link disconnect although they have a CRC error.

| Field | Bit(s) | Initial Value | Description |
|-------|--------|---------------|--|
| GPRC | 31:0 | 0x0 | Number of good packets received (of any length). |

8.18.27 Broadcast Packets Received Count - BPRC (0x4078; RC)

This register counts the number of good (no errors) broadcast packets received. This register does not count broadcast packets received when the broadcast address filter is disabled. This register only increments if receives are enabled (*RCTL.RXEN* is set). This register does not count packets counted by the Missed Packet Count (MPC) register. Packets sent to the manageability engine (MNGPRC) or dropped by the VMDq queueing process (SDPC) are included in this counter.

| Field | Bit(s) | Initial Value | Description |
|-------|--------|---------------|---------------------------------------|
| BPRC | 31:0 | 0x0 | Number of broadcast packets received. |

8.18.28 Multicast Packets Received Count - MPRC (0x407C; RC)

This register counts the number of good (no errors) multicast packets received. This register does not count multicast packets received that fail to pass address filtering nor does it count received flow control packets. This register only increments if receives are enabled (*RCTL.RXEN* is set). This register does not count packets counted by the Missed Packet Count (MPC) register. Packets sent to the manageability engine (MNGPRC) or dropped by the VMDq queueing process (SDPC) are included in this counter.

| Field | Bit(s) | Initial Value | Description |
|-------|--------|---------------|---------------------------------------|
| MPRC | 31:0 | 0x0 | Number of multicast packets received. |

8.18.29 Good Packets Transmitted Count - GPTC (0x4080; RC)

This register counts the number of good (no errors) packets transmitted. A good transmit packet is considered one that is 64 or more bytes in length (from <Destination Address> through <CRC>, inclusively) in length. This does not include transmitted flow control packets. This register only increments if transmits are enabled (*TCTL.EN* is set).

| Field | Bit(s) | Initial Value | Description |
|-------|--------|---------------|-------------------------------------|
| GPTC | 31:0 | 0x0 | Number of good packets transmitted. |

8.18.30 Good Octets Received Count - GORCL (0x4088; RC)

These registers make up a 64-bit register that counts the number of good (no errors) octets received. This register includes bytes received in a packet from the <Destination Address> field through the <CRC> field, inclusive; *GORCL* must be read before *GORCH*.

In addition, it sticks at 0xFFFF_FFFF_FFFF_FFFF when the maximum value is reached. Only octets of packets that pass address filtering are counted in this register. This register does not count octets of packets counted by the Missed Packet Count (MPC) register. Octets of packets sent to the manageability engine are included in this counter. This register only increments if receives are enabled (*RCTL.RXEN* is set).



These octets do not include octets of received flow control packets.

| Field | Bit(s) | Initial Value | Description |
|-------|--------|---------------|---|
| GORCL | 31:0 | 0x0 | Number of good octets received, Åi lower 4 bytes. |

8.18.31 Good Octets Received Count - GORCH (0x408C; RC)

| Field | Bit(s) | Initial Value | Description |
|-------|--------|---------------|---|
| GORCH | 31:0 | 0x0 | Number of good octets received, Åi upper 4 bytes. |

8.18.32 Good Octets Transmitted Count - GOTCL (0x4090; RC)

These registers make up a 64-bit register that counts the number of good (no errors) packets transmitted. This register must be accessed using two independent 32-bit accesses; GOTCL must be read before GOTCH.

In addition, it sticks at 0xFFFF_FFFF_FFFF_FFFF when the maximum value is reached. This register includes bytes transmitted in a packet from the <Destination Address> field through the <CRC> field, inclusive. This register counts octets in successfully transmitted packets that are 64 or more bytes in length. This register only increments if transmits are enabled (*TCTL.EN* is set).

These octets do not include octets in transmitted flow control packets.

| Field | Bit(s) | Initial Value | Description |
|-------|--------|---------------|--|
| GOTCL | 31:0 | 0x0 | Number of good octets transmitted, Åi lower 4 bytes. |

8.18.33 Good Octets Transmitted Count - GOTCH (0x4094; RC)

| Field | Bit(s) | Initial Value | Description |
|-------|--------|---------------|--|
| GOTCH | 31:0 | 0x0 | Number of good octets transmitted, Åi upper 4 bytes. |

8.18.34 Receive No Buffers Count - RNBC (0x40A0; RC)

This register counts the number of times that frames were received when there were no available buffers in host memory to store those frames (receive descriptor head and tail pointers were equal). The packet is still received if there is space in the FIFO. This register only increments if receives are enabled (*RCTL.RXEN* is set).

Notes:

1. This register does not increment when flow control packets are received.
2. If a packet is replicated, this counter counts each of the packet that is dropped.

| Field | Bit(s) | Initial Value | Description |
|-------|--------|---------------|---|
| RNBC | 31:0 | 0x0 | Number of receive no buffer conditions. |



8.18.35 Receive Undersize Count - RUC (0x40A4; RC)

This register counts the number of received frames that passed address filtering, and were less than minimum size (64 bytes from <Destination Address> through <CRC>, inclusive), and had a valid CRC. This register only increments if receives are enabled (*RCTL.RXEN* is set). Packets sent to the manageability engine are included in this counter.

Note: Runt packets smaller than 25 bytes cannot be counted by this counter.

| Field | Bit(s) | Initial Value | Description |
|-------|--------|---------------|-------------------------------------|
| RUC | 31:0 | 0x0 | Number of receive undersize errors. |

8.18.36 Receive Fragment Count - RFC (0x40A8; RC)

This register counts the number of received frames that passed address filtering, and were less than minimum size (64 bytes from <Destination Address> through <CRC>, inclusive), but had a bad CRC (this is slightly different from the Receive Undersize Count register). This register only increments if receives are enabled (*RCTL.RXEN* is set). Packets sent to the manageability engine are included in this counter.

Note: Runt packets smaller than 25 bytes cannot be counted by this counter.

| Field | Bit(s) | Initial Value | Description |
|-------|--------|---------------|------------------------------------|
| RFC | 31:0 | 0x0 | Number of receive fragment errors. |

8.18.37 Receive Oversize Count - ROC (0x40AC; RC)

This register counts the number of received frames with valid CRC field that passed address filtering, and were greater than maximum size. For definition of oversized packets, refer to [Section 7.1.1.4](#).

If receives are not enabled, this register does not increment. These lengths are based on bytes in the received packet from <Destination Address> through <CRC>, inclusive. Packets sent to the manageability engine are included in this counter.

| Field | Bit(s) | Initial Value | Description |
|-------|--------|---------------|------------------------------------|
| ROC | 31:0 | 0x0 | Number of receive oversize errors. |

8.18.38 Receive Jabber Count - RJC (0x40B0; RC)

This register counts the number of received frames that passed address filtering, and were greater than maximum size and had a bad CRC (this is slightly different from the Receive Oversize Count register). For definition of oversized packets, refer to [Section 7.1.1.4](#).



If receives are not enabled, this register does not increment. These lengths are based on bytes in the received packet from <Destination Address> through <CRC>, inclusive. Packets sent to the manageability engine are included in this counter.

| Field | Bit(s) | Initial Value | Description |
|-------|--------|---------------|----------------------------------|
| RJC | 31:0 | 0x0 | Number of receive jabber errors. |

8.18.39 Management Packets Received Count - MNGPRC (0x40B4; RC)

This register counts the total number of packets received that pass the management filters as described in [Section 10.3](#). Any packets with errors are not counted, except packets that are dropped because the management receive FIFO is full.

Packets sent to both the host and the management interface are not counted by this counter.

| Field | Bit(s) | Initial Value | Description |
|--------|--------|---------------|--|
| MNGPRC | 31:0 | 0x0 | Number of management packets received. |

8.18.40 Management Packets Dropped Count - MPDC (0x40B8; RC)

This register counts the total number of packets received that pass the management filters as described in [Section 10.3](#), that are dropped because the management receive FIFO is full. Management packets include any packet directed to the manageability console (for example, MC and ARP packets).

| Field | Bit(s) | Initial Value | Description |
|-------|--------|---------------|---------------------------------------|
| MPDC | 31:0 | 0x0 | Number of management packets dropped. |

8.18.41 Management Packets Transmitted Count - MNGPTC (0x40BC; RC)

This register counts the total number of transmitted packets originating from the manageability path.

| Field | Bit(s) | Initial Value | Description |
|-------|--------|---------------|---|
| MPTC | 31:0 | 0x0 | Number of management packets transmitted. |

8.18.42 BMC2OS Packets Sent by MC - B2OSPC (0x8FE0; RC)

This register counts the total number of transmitted packets sent from the manageability path that were sent to host. This includes packets received by the host and packet dropped in the I210 due to congestion conditions.

Counter is cleared when read by driver. Counter is also cleared by PCIe reset and Software reset. When reaching maximum value counter does not wrap-around.

| Field | Bit(s) | Initial Value | Description |
|--------|--------|---------------|----------------------------|
| B2OSPC | 31:0 | 0x0 | BMC2OS packets sent by MC. |



8.18.43 BMC2OS Packets Received by Host - B2OGPRC (0x4158; RC)

This register counts the total number of packets originating from the MC that reached the host.

If a packet is replicated, this counter counts each replication of the packet.

The counter clears when read by the software device driver. The counter also clears by a PCIe reset and software reset. When reaching the maximum, the value counter does not wrap-around.

| Field | Bit(s) | Initial Value | Description |
|---------|--------|---------------|----------------------------------|
| B2OGPRC | 31:0 | 0x0 | BMC2OS packets received by host. |

8.18.44 OS2BMC Packets Received by MC - O2BGPTC (0x8FE4; RC)

This register counts the total number of packets originating from the host that reached the NC-SI interface.

The counter clears when read by the software device driver. The counter also clears by a PCIe reset and software reset. When reaching maximum value, the counter does not wrap-around.

| Field | Bit(s) | Initial Value | Description |
|---------|--------|---------------|--|
| O2BGPTC | 31:0 | 0x0 | OS2BMC good packets transmitted count. |

8.18.45 OS2BMC Packets Transmitted by Host - O2BSPC (0x415C; RC)

This register counts the total number of packets originating from the function that were sent to the manageability path. This includes packets received by the MC and packets dropped in the I210 due to congestion conditions.

Packets are dropped due to security reasons. For example, anti spoofing is not counted by this counter.

The counter is cleared when read by software device driver. The counter is also cleared by PCIe reset and software reset. When reaching a maximum value, the counter does not wrap-around.

| Field | Bit(s) | Initial Value | Description |
|---------|--------|---------------|-------------------------------------|
| OS2BSPC | 31:0 | 0x0 | OS2BMC good packets transmit count. |

8.18.46 Total Octets Received - TORL (0x40C0; RC)

These registers make up a logical 64-bit register that counts the total number of octets received. This register must be accessed using two independent 32-bit accesses; TORL must be read before TORH. This register sticks at 0xFFFF_FFFF_FFFF_FFFF when the maximum value is reached.

All packets received have their octets summed into this register, regardless of their length, whether they are erred, or whether they are flow control packets. This register includes bytes received in a packet from the <Destination Address> field through the <CRC> field, inclusive. This register only increments if receives are enabled (*RCTL.RXEN* is set).

Note: Broadcast rejected packets are counted in this counter (as opposed to all other rejected packets that are not counted).



| Field | Bit(s) | Initial Value | Description |
|-------|--------|---------------|--|
| TORL | 31:0 | 0x0 | Number of total octets received - lower 4 bytes. |

8.18.47 Total Octets Received - TORH (0x40C4; RC)

| Field | Bit(s) | Initial Value | Description |
|-------|--------|---------------|--|
| TORH | 31:0 | 0x0 | Number of total octets received - upper 4 bytes. |

8.18.48 Total Octets Transmitted - TOTL (0x40C8; RC)

These registers make up a 64-bit register that counts the total number of octets transmitted. This register must be accessed using two independent 32-bit accesses; TOTL must be read before TOTH. This register sticks at 0xFFFF_FFFF_FFFF_FFFF when the maximum value is reached.

All transmitted packets have their octets summed into this register, regardless of their length or whether they are flow control packets. This register includes bytes transmitted in a packet from the <Destination Address> field through the <CRC> field, inclusive.

Octets transmitted as part of partial packet transmissions (for example, collisions in half-duplex mode) are not included in this register. This register only increments if transmits are enabled (*TCTL.EN* is set).

| Field | Bit(s) | Initial Value | Description |
|-------|--------|---------------|---|
| TOTL | 31:0 | 0x0 | Number of total octets transmitted - lower 4 bytes. |

8.18.49 Total Octets Transmitted - TOTH (0x40CC; RC)

| Field | Bit(s) | Initial Value | Description |
|-------|--------|---------------|---|
| TOTH | 31:0 | 0x0 | Number of total octets transmitted - upper 4 bytes. |

8.18.50 Total Packets Received - TPR (0x40D0; RC)

This register counts the total number of all packets received. All packets received are counted in this register, regardless of their length, whether they have errors, or whether they are flow control packets. This register only increments if receives are enabled (*RCTL.RXEN* is set).

Notes:

1. Broadcast rejected packets are counted in this counter (as opposed to all other rejected packets that are not counted).
2. Runt packets smaller than 25 bytes cannot be counted by this counter.
3. *TPR* can count packets interrupted by a link disconnect although they have a CRC error.

| Field | Bit(s) | Initial Value | Description |
|-------|--------|---------------|---------------------------------|
| TPR | 31:0 | 0x0 | Number of all packets received. |



8.18.51 Total Packets Transmitted - TPT (0x40D4; RC)

This register counts the total number of all packets transmitted. All packets transmitted are counted in this register, regardless of their length, or whether they are flow control packets.

Partial packet transmissions (collisions in half-duplex mode) are not included in this register. This register only increments if transmits are enabled (*TCTL.EN* is set). This register counts all packets, including standard packets, packets received over the SMBus, and packets generated by the PT function.

| Field | Bit(s) | Initial Value | Description |
|-------|--------|---------------|------------------------------------|
| TPT | 31:0 | 0x0 | Number of all packets transmitted. |

8.18.52 Packets Transmitted [64 Bytes] Count - PTC64 (0x40D8; RC)

This register counts the number of packets transmitted that are exactly 64 bytes (from <Destination Address> through <CRC>, inclusive) in length. Partial packet transmissions (collisions in half-duplex mode) are not included in this register. This register does not include transmitted flow control packets (which are 64 bytes in length). This register only increments if transmits are enabled (*TCTL.EN* is set). This register counts all packets, including standard packets, packets received over the SMBus, and packets generated by the PT function.

| Field | Bit(s) | Initial Value | Description |
|-------|--------|---------------|--|
| PTC64 | 31:0 | 0x0 | Number of packets transmitted that are 64 bytes in length. |

8.18.53 Packets Transmitted [65-127 Bytes] Count - PTC127 (0x40DC; RC)

This register counts the number of packets transmitted that are 65-127 bytes (from <Destination Address> through <CRC>, inclusive) in length. Partial packet transmissions (for example, collisions in half-duplex mode) are not included in this register. This register only increments if transmits are enabled (*TCTL.EN* is set). This register counts all packets, including standard packets, packets received over the SMBus, and packets generated by the PT function.

| Field | Bit(s) | Initial Value | Description |
|--------|--------|---------------|--|
| PTC127 | 31:0 | 0x0 | Number of packets transmitted that are 65-127 bytes in length. |

8.18.54 Packets Transmitted [128-255 Bytes] Count - PTC255 (0x40E0; RC)

This register counts the number of packets transmitted that are 128-255 bytes (from <Destination Address> through <CRC>, inclusive) in length. Partial packet transmissions (collisions in half-duplex mode) are not included in this register. This register only increments if transmits are enabled (*TCTL.EN* is set). This register counts all packets, including standard packets, packets received over the SMBus, and packets generated by the PT function.

| Field | Bit(s) | Initial Value | Description |
|--------|--------|---------------|---|
| PTC255 | 31:0 | 0x0 | Number of packets transmitted that are 128-255 bytes in length. |



8.18.55 Packets Transmitted [256-511 Bytes] Count - PTC511 (0x40E4; RC)

This register counts the number of packets transmitted that are 256-511 bytes (from <Destination Address> through <CRC>, inclusive) in length. Partial packet transmissions (for example, collisions in half-duplex mode) are not included in this register. This register only increments if transmits are enabled (*TCTL.EN* is set). This register counts all packets. Management packets must never be more than 200 bytes.

| Field | Bit(s) | Initial Value | Description |
|--------|--------|---------------|---|
| PTC511 | 31:0 | 0x0 | Number of packets transmitted that are 256-511 bytes in length. |

8.18.56 Packets Transmitted [512-1023 Bytes] Count - PTC1023 (0x40E8; RC)

This register counts the number of packets transmitted that are 512-1023 bytes (from <Destination Address> through <CRC>, inclusive) in length. Partial packet transmissions (for example, collisions in half-duplex mode) are not included in this register. This register only increments if transmits are enabled (*TCTL.EN* is set). This register counts all packets. Management packets must never be more than 200 bytes.

| Field | Bit(s) | Initial Value | Description |
|---------|--------|---------------|--|
| PTC1023 | 31:0 | 0x0 | Number of packets transmitted that are 512-1023 bytes in length. |

8.18.57 Packets Transmitted [1024 Bytes or Greater] Count - PTC1522 (0x40EC; RC)

This register counts the number of packets transmitted that are 1024 or more bytes (from <Destination Address> through <CRC>, inclusive) in length. Partial packet transmissions (for example, collisions in half-duplex mode) are not included in this register. This register only increments if transmits are enabled (*TCTL.EN* is set).

Due to changes in the standard for maximum frame size for VLAN tagged frames in 802.3, the I210 transmits packets that have a maximum length of 1522 bytes. The RMON statistics associated with this range has been extended to count 1522 byte long packets. This register counts all packets. Management packets must never be more than 200 bytes. If *CTRL.EXT_VLAN* is set, packets up to 1526 bytes are counted by this counter.

| Field | Bit(s) | Initial Value | Description |
|---------|--------|---------------|--|
| PTC1522 | 31:0 | 0x0 | Number of packets transmitted that are 1024 or more bytes in length. |

8.18.58 Multicast Packets Transmitted Count - MPTC (0x40F0; RC)

This register counts the number of multicast packets transmitted. This register does not include flow control packets and increments only if transmits are enabled (*TCTL.EN* is set).

| Field | Bit(s) | Initial Value | Description |
|-------|--------|---------------|--|
| MPTC | 31:0 | 0x0 | Number of multicast packets transmitted. |



8.18.59 Broadcast Packets Transmitted Count - BPTC (0x40F4; RC)

This register counts the number of broadcast packets transmitted. This register only increments if transmits are enabled (*TCTL.EN* is set). This register counts all packets. Management packets must never be more than 200 bytes.

| Field | Bit(s) | Initial Value | Description |
|-------|--------|---------------|--|
| BPTC | 31:0 | 0x0 | Number of broadcast packets transmitted count. |

8.18.60 Interrupt Assertion Count - IAC (0x4100; RC)

This counter counts the total number of LAN interrupts generated in the system. In case of MSI-X systems, this counter reflects the total number of MSI-X messages that are emitted.

| Field | Bit(s) | Initial Value | Description |
|-------|--------|---------------|---|
| IAC | 31:0 | 0x0 | This is a count of all the LAN interrupt assertions that have occurred. |

8.18.61 Rx Packets to Host Count - RPTHC (0x4104; RC)

| Field | Bit(s) | Initial Value | Description |
|-------|--------|---------------|---|
| RPTHC | 31:0 | 0x0 | This is a count of all the received packets sent to the host. |

8.18.62 EEE TX LPI Count - TLPIC (0x4148; RC)

This register counts EEE TX LPI entry events. A EEE TX LPI event occurs when the transmitter enters EEE (IEEE802.3az) LPI state. This register only increments if transmits are enabled (*TCTL.EN* is set) and Link Mode is internal Copper PHY (*CTRL_EXT.LINK_MODE* = 00b).

| Field | Bit(s) | Initial Value | Description |
|--------|--------|---------------|------------------------------|
| ETLPIC | 31:0 | 0x0 | Number of EEE TX LPI events. |

8.18.63 EEE RX LPI Count - RLPIC (0x414C; RC)

This register counts EEE RX LPI entry events. A EEE RX LPI event occurs when the receiver detects link partner entry into EEE (IEEE802.3az) LPI state. This register only increments if receives are enabled (*RCTL.RXEN* is set) and Link Mode is internal Copper PHY (*CTRL_EXT.LINK_MODE* = 00b).

| Field | Bit(s) | Initial Value | Description |
|--------|--------|---------------|------------------------------|
| ERLPIC | 31:0 | 0x0 | Number of EEE RX LPI events. |



8.18.64 Host Good Packets Transmitted Count-HGPTC (0x4118; RC)

| Field | Bit(s) | Initial Value | Description |
|-------|--------|---------------|---|
| HGPTC | 31:0 | 0x0 | Number of good packets transmitted by the host. |

This register counts the number of good (non-erred) packets transmitted sent by the host. A good transmit packet is considered one that is 64 or more bytes in length (from <Destination Address> through <CRC>, inclusively) in length. This does not include transmitted flow control packets or packets sent by the manageability engine. This register only increments if transmits are enabled (*TCTL.EN* is set).

8.18.65 Receive Descriptor Minimum Threshold Count-RXDMTC (0x4120; RC)

| Field | Bit(s) | Initial Value | Description |
|--------|--------|---------------|---|
| RXDMTC | 31:0 | 0x0 | This is a count of the receive descriptor minimum threshold events. |

This register counts the number of events where the number of descriptors in one of the Rx queues was lower than the threshold defined for this queue.

8.18.66 Host Good Octets Received Count - HGORCL (0x4128; RC)

| Field | Bit(s) | Initial Value | Description |
|--------|--------|---------------|--|
| HGORCL | 31:0 | 0x0 | Number of good octets received by host, Æ lower 4 bytes. |

8.18.67 Host Good Octets Received Count - HGORCH (0x412C; RC)

| Field | Bit(s) | Initial Value | Description |
|--------|--------|---------------|--|
| HGORCH | 31:0 | 0x0 | Number of good octets received by host, Æ upper 4 bytes. |

These registers make up a logical 64-bit register that counts the number of good (non-erred) octets received. This register includes bytes received in a packet from the <Destination Address> field through the <CRC> field, inclusive. This register must be accessed using two independent 32-bit accesses.; HGORCL must be read before HGORCH.

In addition, it sticks at 0xFFFF_FFFF_FFFF_FFFF when the maximum value is reached. Only packets that pass address filtering are counted in this register. This register counts only octets of packets that reached the host. The only exception is packets dropped by the DMA because of lack of descriptors in one of the queues. These packets are included in this counter.

This register only increments if receives are enabled (*RCTL.RXEN* is set).



8.18.68 Host Good Octets Transmitted Count - HGOTCL (0x4130; RC)

| Field | Bit(s) | Initial Value | Description |
|--------|--------|---------------|--|
| HGOTCL | 31:0 | 0x0 | Number of good octets transmitted by host - lower 4 bytes. |

8.18.69 Host Good Octets Transmitted Count - HGOTCH (0x4134; RC)

| Field | Bit(s) | Initial Value | Description |
|--------|--------|---------------|--|
| HGOTCH | 31:0 | 0x0 | Number of good octets transmitted by host - upper 4 bytes. |

These registers make up a logical 64-bit register that counts the number of good (non-erred) packets transmitted. This register must be accessed using two independent 32-bit accesses. This register resets each time the upper 32 bits are read (HGOTCH).

In addition, it sticks at 0xFFFF_FFFF_FFFF_FFFF when the maximum value is reached. This register includes bytes transmitted in a packet from the <Destination Address> field through the <CRC> field, inclusive. This register counts octets in successfully transmitted packets which are 64 or more bytes in length. This register only increments if transmits are enabled (*TCTL.EN* is set).

These octets do not include octets in transmitted flow control packets or manageability packets.

8.18.70 Length Error Count - LENERRS (0x4138; RC)

| Field | Bit(s) | Initial Value | Description |
|---------|--------|---------------|---------------------|
| LENERRS | 31:0 | 0x0 | Length error count. |

Counts the number of receive packets with Length errors. For example, valid packets (no CRC error) with a *Length/Type* field with a value smaller or equal to 1500 greater than the frame size. In order for a packet to be counted in this register, it must pass address filtering and must be 64 bytes or greater (from <Destination Address> through <CRC>, inclusive) in length. If receives are not enabled, then this register does not increment.

8.18.71 SerDes/SGMII/KX Code Violation Packet Count - SCVPC (0x4228; RW)

This register contains the number of code violation packets received. Code violation is defined as an invalid received code in the middle of a packet.

| Field | Bit(s) | Initial Value | Description |
|---------|--------|---------------|--|
| CODEVIO | 31:0 | 0x0 | Code Violation Packet Count. At any point of time this field specifies number of unknown protocol packets received. Valid only in SGMII/SerDes/1000BASE-KX modes. |



8.18.72 Management Full Buffer Drop Packet Count - MNGFBDPC (0x4154; RC/W)

| Field | Bit(s) | Initial Value | Description |
|----------|--------|---------------|---|
| MNGFBDPC | 31:0 | 0x0 | Management Buffer Full Drop Packet Count. Counts the number of packets destined to management that were dropped due to lack of space in the management buffer. <i>Note:</i> The counter does not wrap around when reaching a value of 0xFFFFFFFF. |

8.19 Statistical Counters

The I210 supports nine statistical counters per queue.

8.19.1 Per Queue Good Packets Received Count - PQGPRC (0x10010 + n*0x100 [n=0...3]; RW)

This register counts the number of legal length good packets received in queue[n]. The legal length for the received packet is defined by the value of Long Packet Enable (*RCTL.LPE*) (refer to [Section 8.18.37](#)). This register does not include received flow control packets and only counts packets that pass filtering. This register only increments if receive is enabled.

Note: PQGPRC might count packets interrupted by a link disconnect although they have a CRC error. Unlike some other statistics registers that are not allocated per VM, this register is not cleared on read. Furthermore, the register wraps around back to 0x0000 on the next increment when reaching a value of 0xFFFF and then continues normal count operation.

| Field | Bit(s) | Initial Value | Description |
|-------|--------|---------------|--|
| GPRC | 31:0 | 0x0 | Number of good packets received (of any length). |

8.19.2 Per Queue Good Packets Transmitted Count - PQGPTC (0x10014 + n*0x100 [n=0...3]; RW)

This register counts the number of good (no errors) packets transmitted on queue[n]. A good transmit packet is considered one that is 64 or more bytes in length (from <Destination Address> through <CRC>, inclusively) in length. This does not include transmitted flow control packets. This register only increments if transmits are enabled (*TCTL.EN* is set). This counter includes loopback packets or packets later dropped by the MAC.

A multicast packet dropped by some of the destinations, but sent to others is counted by this counter

Note: Unlike some other statistic registers that are not allocated per VM, this register is not cleared on read. Furthermore, the register wraps around back to 0x0000 on the next increment when reaching a value of 0xFFFFFFFF and then continues normal count operation.

| Field | Bit(s) | Initial Value | Description |
|-------|--------|---------------|-------------------------------------|
| GPTC | 31:0 | 0x0 | Number of good packets transmitted. |



8.19.3 Per Queue Good Octets Received Count - PQGORC (0x10018 + n*0x100 [n=0...3]; RW)

This register counts the number of good (no errors) octets received on queue[n]. This register includes bytes received in a packet from the <Destination Address> field through the <CRC> field, inclusive.

Only octets of packets that pass address filtering are counted in this register. This register only increments if receive is enabled.

Note: VLAN tag is part of the byte count only if reported to the VM. For example, if the *DVMOLR.HIDE VLAN* bit is not set for this VM. CRC is part of the byte count if *DTXCTL.Count CRC* is set.

Note: Unlike some other statistic registers that are not allocated per VM, this register is not cleared on read. Furthermore, the register wraps around back to 0x0000 on the next increment when reaching a value of 0xFFFF and then continues normal count operation.

| Field | Bit(s) | Initial Value | Description |
|-------|--------|---------------|---------------------------------|
| GORC | 31:0 | 0x0 | Number of good octets received. |

8.19.4 Per Queue Good Octets Transmitted Count - PQGOTC (0x10034 + n*0x100 [n=0...3]; RW)

This register counts the number of good (no errors) packets transmitted on queue[n]. This register includes bytes transmitted in a packet from the <Destination Address> field through the <CRC> field, inclusive. Register also counts any padding that were added by the hardware. This register counts octets in successfully transmitted packets that are 64 or more bytes in length. Octets counted do not include octets in transmitted flow control packets. This register only increments if transmit is enabled.

A multicast packet dropped by some of the destinations, but sent to others is counted by this counter

Note: CRC is part of the byte count if *DTXCTL.Count CRC* is set.

Unlike some other statistic registers that are not allocated per VM, this register is not cleared on read. Furthermore, the register wraps around back to 0x0000 on the next increment when reaching a value of 0xFFFF and then continues normal count operation.

| Field | Bit(s) | Initial Value | Description |
|-------|--------|---------------|--|
| GOTC | 31:0 | 0x0 | Number of good octets transmitted, Ai lower 4 bytes. |

8.19.5 Per Queue Multicast Packets Received Count - PQMPRC (0x10038 + n*0x100 [n=0...3]; RO)

This register counts the number of good (no errors) multicast packets received on queue[n]. This register does not count multicast packets received that fail to pass address filtering nor does it count received flow control packets. This register only increments if receive is enabled.

Note: Unlike some other statistic registers that are not allocated per VM, this register is not cleared on read. Furthermore, the register wraps around back to 0x0000 on the next increment when reaching a value of 0xFFFF and then continues normal count operation.



| Field | Bit(s) | Initial Value | Description |
|-------|--------|---------------|---------------------------------------|
| MPRC | 31:0 | 0x0 | Number of multicast packets received. |

8.20 Manageability Statistics

This section describes a set of statistics counters used by the NC-SI interface and are not accessible to the host driver.

8.20.1 MC Management Receive Packets Dropped Count - BMRPDC (0x4140; RC)

This register counts the total number of packets received that pass the management filters as described in [Section 10.3](#), that are dropped because the management receive FIFO is full. Management packets include any packet directed to the manageability console (for example, MC and ARP packets). This register is available to the firmware only.

| Field | Bit(s) | Initial Value | Description |
|-------|--------|---------------|---------------------------------------|
| MPDC | 31:0 | 0x0 | Number of management packets dropped. |

8.20.2 MC Management Transmit Packets Dropped Count - BMTPDC (0x8FDC; RC)

This register counts the total number of packets received from the Out-of-Band Management interface, that are dropped because the management transmit FIFO is full or if the relevant NC-SI channel is disabled. This counter increases only if the packet is not sent to any destination (host or network).

Note: This register is available to firmware only and is shared for MC Tx traffic destined to the port.

| Field | Bit(s) | Initial Value | Description |
|----------|--------|---------------|---|
| BMTPDC | 15:0 | 0x0 | Number of management packets dropped. |
| Reserved | 31:16 | - | Reserved. Write 0x0, ignore on read. |

8.20.3 MC Management Packets Transmitted Count - BMNGPTC (0x4144; RC)

This register counts the total number of transmitted packets originating from the manageability path. This counter increases once if the packet is sent to any destination (host or network).

This register is available to the firmware only.

| Field | Bit(s) | Initial Value | Description |
|-------|--------|---------------|---|
| MPTC | 31:0 | 0x0 | Number of management packets transmitted. |



8.20.4 MC Management Packets Received Count - BMNGPRC (0x413C; RC)

This register counts the total number of packets received that pass the management filters as described in [Section 10.3](#). Any packets with errors are not counted, except packets that are dropped because the management receive FIFO is full.

This register is available to the firmware only.

| Field | Bit(s) | Initial Value | Description |
|--------|--------|---------------|--|
| MNGPRC | 31:0 | 0x0 | Number of management packets received. |

8.20.5 MC Total Unicast Packets Received - BUPRC (0x4400; RC)

This register counts the number of good (no errors) unicast packets received. This register does not count unicast packets received that fail to pass address filtering. This register does not count packets counted by the Missed Packet Count (MPC) register. Packets sent to the manageability engine are included in this counter.

This register is available to the firmware only.

| Field | Bit(s) | Initial Value | Description |
|-------|--------|---------------|-------------------------------------|
| BUPRC | 31:0 | 0x0 | Number of Unicast packets received. |

8.20.6 MC Total Multicast Packets Received - BMPRC (0x4404; RC)

This register counts the same events as the MPRC register ([Section 8.18.28](#)) for the MC usage. This register is available to the firmware only.

8.20.7 MC Total Broadcast Packets Received - BBPRC (0x4408; RC)

This register counts the same events as the BPRC register ([Section 8.18.27](#)) for the MC usage. This register is available to the firmware only.

8.20.8 MC Total Unicast Packets Transmitted - BUPTC (0x440C; RC)

This register counts the number of unicast packets transmitted. This register is available to the firmware only.

| Field | Bit(s) | Initial Value | Description |
|-------|--------|---------------|--|
| BUPTC | 31:0 | 0x0 | Number of unicast packets transmitted. |

8.20.9 MC Total Multicast Packets Transmitted - BMPTC (0x4410; RC)

This register counts the same events as the MPTC register ([Section 8.18.58](#)) for the MC usage. This register is available to the firmware only.



8.20.10 MC Total Broadcast Packets Transmitted - BBPTC (0x4414; RC)

This register counts the same events as the BPTC register (Section 8.18.59) for the MC usage. This register is available to the firmware only.

8.20.11 MC FCS Receive Errors - BRCERRS (0x4418; RC)

This register counts the same events as the CRCERRS register (Section 8.18.1) for the MC usage. This register is available to the firmware only.

8.20.12 MC Alignment Errors - BALGNERRC (0x441C; RC)

This register counts the same events as the ALGNERRC register (Section 8.18.2) for the MC usage. This register is available to the firmware only.

8.20.13 MC Pause XON Frames Received - BXONRXC (0x4420; RC)

This register counts the same events as the XONRXC register (Section 8.18.15) for the MC usage. This register is available to the firmware only.

8.20.14 MC Pause XOFF Frames Received - BXOFFRXC (0x4424; RC)

This register counts the same events as the XOFFRXC register (Section 8.18.17) for the MC usage. This register is available to the firmware only.

8.20.15 MC Pause XON Frames Transmitted - BXONTXC (0x4428; RC)

This register counts the same events as the XONTXC register (Section 8.18.16) for the MC usage. This register is available to the firmware only.

8.20.16 MC Pause XOFF Frames Transmitted - BXOFFTXC (0x442C; RC)

This register counts the same events as the XOFFTXC register (Section 8.18.18) for the MC usage. This register is available to the firmware only.

8.20.17 MC Single Collision Transmit Frames- BSCC (0x4430; RC)

This register counts the same events as the SCC register (Section 8.18.6) for the MC usage. This register is available to the firmware only.

8.20.18 MC Multiple Collision Transmit Frames - BMCC (0x4434; RC)

This register counts the same events as the MCC register (Section 8.18.8) for the MC usage. This register is available to the firmware only.



8.21 Wake Up Control Register Descriptions

8.21.1 Wake Up Control Register - WUC (0x5800; R/W)

The *PME_En* and *PME_Status* bits of this register are reset when LAN_PWR_GOOD is 0b. When AUX_PWR = 0b, these register bits also reset by de-asserting PE_RST_N and during a D3 to D0 transition.

| Field | Bit(s) | Initial Value | Description |
|--------------------|--------|-----------------|--|
| APME | 0 | 0b ¹ | Advance Power Management Enable. If set to 1b, APM Wakeup is enabled. If this bit is set and the <i>APMPME</i> bit is cleared, reception of a magic packet asserts the <i>WUS.MAG</i> bit but does not assert a PME. Note: This bit is reset only on power-on reset but its value is auto-loaded from NVM on PCIe reset. |
| PME_En | 1 | 0b | PME_En. This read/write bit is used by the software device driver to enable generation of a PME event without writing to the Power Management Control / Status Register (<i>PMCSR</i>) in the PCIe configuration space. Note: This bit reflects the value of the <i>PMCSR.PME_En</i> bit when the bit in the <i>PMCSR</i> register is modified. However, when the value of <i>WUC.PME_En</i> bit is modified by software device driver, the value is not reflected in the <i>PMCSR.PME_En</i> bit. Note: This bit is reset only on power-on reset When the AUX_PWR = 0b bit is also reset on de-assertion of PE_RST_N and during D3 to D0 transition. |
| PME_Status (R/W1C) | 2 | 0b | PME_Status. This bit is set when the I210 receives a wakeup event. It is the same as the <i>PME_Status</i> bit in the Power Management Control / Status Register (<i>PMCSR</i>). Writing a 1b to this bit clears also the <i>PME_Status</i> bit in the <i>PMCSR</i> . Note: This bit is reset only on power-on reset When the AUX_PWR = 0b bit is also reset on de-assertion of PE_RST_N and during D3 to D0 transition. |
| APMPME | 3 | 0b ¹ | Assert PME On APM Wakeup. If set to 1b, the I210 sets the <i>PME_Status</i> bit in the Power Management Control / Status Register (<i>PMCSR</i>) and asserts PE_WAKE_N and sends a PM_PME PCIe message when APM Wakeup is enabled (<i>WUC.APME</i> = 1b) and the I210 receives a matching Magic Packet. Notes: 1. When <i>WUC.APMPME</i> is set PE_WAKE_N is asserted and a PM_PME message is sent even if <i>PMCSR.PME_En</i> is cleared. 2. This bit is reset only on power-on reset but its value is auto-loaded from NVM on SW reset. |
| PPROXYE | 4 | 0b | Port Proxying Enable. When set to 1b Proxying of packets is enabled when device is in D3 low power state. Note: Proxy information and requirements is passed by the software device driver to firmware via the shared RAM host interface (refer to Section 10.8 , Section 8.23 and Section 10.8.2.4.5). |
| EN_APM_D0 | 5 | 0b ¹ | Enable APM wake on D0. 0b = Enable APM wake only when function is in D3 and <i>WUC.APME</i> is set to 1b. 1b = Always enable APM wake when <i>WUC.APME</i> is set to 1b. Note: This bit is reset on power on reset only. |
| Reserved | 31:6 | 0x0 | Reserved. Write 0x0, ignore on read. |

1. Loaded from the Flash.



8.21.2 Wakeup Filter Control Register - WUFC (0x5808; R/W)

This register is used to enable each of the pre-defined and flexible filters for wake-up support. A value of 1b means the filter is turned on; A value of 0b means the filter is turned off.

If the *NoTCO* bit is set, then any packet that passes the manageability packet filtering as described in Section 10.3, does not cause a wake-up event.

| Field | Bit(s) | Initial Value | Description |
|--------------|--------|---------------|---|
| LNKC | 0 | 0b | Link Status Change Wakeup Enable. |
| MAG | 1 | 0b | Magic Packet Wake-up Enable. |
| EX | 2 | 0b | Directed Exact Wake-up Enable. ¹ |
| MC | 3 | 0b | Directed Multicast Wake-up Enable. |
| BC | 4 | 0b | Broadcast Wake-up Enable. |
| ARP Directed | 5 | 0b | ARP Request Packet and IP4AT Match Wake-up Enable. Wake on match of any ARP request packet that passed main filtering and Target IP address also matches one of the valid <i>IP4AT</i> filters. |
| IPv4 | 6 | 0b | Directed IPv4 Packet Wake-up Enable. |
| IPv6 | 7 | 0b | Directed IPv6 Packet Wake-up Enable. |
| Reserved | 8 | 0b | Reserved. Write 0b, ignore on read. |
| NS | 9 | 0b | IPv6 Neighbor Solicitation Wake-up Enable. Wake on match of any NS packet that passed main filtering. |
| NS Directed | 10 | 0b | IPv6 Neighbor Solicitation and Directed DA Match Wake-up Enable. Wake on match of NS packet and target IP address also matches <i>IPV6AT</i> filter. |
| ARP | 11 | 0b | ARP Request Packet Wake-up Enable. Wake on match of any ARP request packet that passed main filtering. |
| Reserved | 13:12 | 0x0 | Reserved. Write 0x0, ignore on read. |
| FLEX_HQ | 14 | 0b | Flex Filters Host Queuing 0b = Do not use flex filters for queuing decisions in D0 state. 1b = Use flex filters enabled in the WUFC register for queuing decisions in D0 state. Note: Should be enabled only when multi queuing is enabled (MRQC.Multiple Receive Queues = 010b or 000b). |
| NoTCO | 15 | 0b | MPWU=criteriah=h. |
| FLX0 | 16 | 0b | Flexible Filter 0 Enable. |
| FLX1 | 17 | 0b | Flexible Filter 1 Enable. |
| FLX2 | 18 | 0b | Flexible Filter 2 Enable. |
| FLX3 | 19 | 0b | Flexible Filter 3 Enable. |
| FLX4 | 20 | 0b | Flexible Filter 4 Enable. |
| FLX5 | 21 | 0b | Flexible Filter 5 Enable. |
| FLX6 | 22 | 0b | Flexible Filter 6 Enable. |
| FLX7 | 23 | 0b | Flexible Filter 7 Enable. |
| FLX0_ACT | 24 | 0b | Flexible Filter 0 Action. 0b= WoL. 1b= Reserved. |
| FLX1_ACT | 25 | 0b | Flexible Filter 1 Action. 0b= WoL. 1b= Reserved. |



| Field | Bit(s) | Initial Value | Description |
|-----------|--------|---------------|---|
| FLX2_ACT | 26 | 0b | Flexible Filter 2 Action. 0b= WoL. 1b= Reserved. |
| FLX3_ACT | 27 | 0b | Flexible Filter 3 Action. 0b= WoL. 1b= Reserved. |
| Reserved | 30:28 | 0b | Reserved. |
| FW_RST_WK | 31 | 0b | Enable Wake on Firmware Reset Assertion. When set, a firmware reset causes a system wake so that the software driver can re-send proxying information to firmware. |

1. If the *RCTL.UPE* is set, and the *EX* bit is also set, any unicast packet wakes up the system.

8.21.3 Wake Up Status Register - WUS (0x5810; R/W1C)

This register is used to record statistics about all wake-up packets received. If a packet matches multiple criteria then multiple bits could be set. Writing a 1b to any bit clears that bit.

This register is not cleared when *PE_RST_N* is asserted. It is only cleared when *LAN_PWR_GOOD* is de-asserted or when cleared by the software device driver.

Note: If additional packets are received that match one of the wakeup filters, after the original wake-up packet is received, the WUS register is not updated with the new match detection until the register is cleared.

| Field | Bit(s) | Initial Value | Description |
|--------------|--------|---------------|---|
| LNKC | 0 | 0b | Link Status Change. |
| MAG | 1 | 0b | Magic Packet Received. |
| EX | 2 | 0b | Directed Exact Packet Received. The packet's address matched one of the 32 pre-programmed exact values in the Receive Address registers (<i>RAL[n]/RAH[n]</i>), the packet was a unicast packet and <i>RCTL.UPE</i> is set to 1b. |
| MC | 3 | 0b | Directed Multicast Packet Received. The packet was a multicast packet hashed to a value that corresponded to a 1 bit in the Multicast Table Array (MTA) or the packet was a multicast packet and <i>RCTL.MPE</i> is set to 1b. |
| BC | 4 | 0b | Broadcast Packet Received. |
| ARP Directed | 5 | 0b | ARP Request Packet with <i>IPV4AT</i> filter Received. When set to 1b indicates a match on any ARP request packet that passed main filtering and Target IP address also matches one of the valid <i>IP4AT</i> filters. |
| IPv4 | 6 | 0b | Directed IPv4 Packet Received. |
| IPv6 | 7 | 0b | Directed IPv6 Packet Received. |
| MNG | 8 | 0b | Indicates that a manageability event that should cause a PME happened. |
| NS | 9 | 0b | IPv6 Neighbor Solicitation Received. When set to 1b indicates a match on any ICMPv6 packet such as Neighbor Solicitation (NS) packet or Multicast Listener Discovery (MLD) packet that passed main filtering. |
| NS Directed | 10 | 0b | IPv6 Neighbor Solicitation with Directed DA Match Received. When set to 1b, indicates a match on any ICMPv6 packet such as a NS packet or MLD packet that passed main filtering and the field placed in the target IP address of a NS packet (9th byte to 24th byte of the ICMPv6 header) also matches a valid <i>IPV6AT</i> filter. |
| ARP | 11 | 0b | ARP Request Packet Received. When set to 1b, indicates a match on an ARP request packet that passed main filtering. |



| Field | Bit(s) | Initial Value | Description |
|-----------|--------|---------------|--|
| Reserved | 15:12 | 0x0 | Reserved. Write 0bx0, ignore on read. |
| FLX0 | 16 | 0b | Flexible Filter 0 Match. |
| FLX1 | 17 | 0b | Flexible Filter 1 Match. |
| FLX2 | 18 | 0b | Flexible Filter 2 Match. |
| FLX3 | 19 | 0b | Flexible Filter 3 Match. |
| FLX4 | 20 | 0b | Flexible Filter 4 Match. |
| FLX5 | 21 | 0b | Flexible Filter 5 Match. |
| FLX6 | 22 | 0b | Flexible Filter 6 Match. |
| FLX7 | 23 | 0b | Flexible Filter 7 Match. |
| Reserved | 30:24 | 0x0 | Reserved. Write 0x0, ignore on read. |
| FW_RST_WK | 31 | 0b | Wake Due to Firmware Reset Assertion Event. When set to 1b, indicates that a firmware reset assertion caused the system wake so that the software device driver can re-send proxying information to firmware. |

Note: FLX0-7 bits are set only when flex filter match is detected and WUFC.FLEX_HQ is 0b.

8.21.4 Wake Up Packet Length - WUPL (0x5900; RO)

This register indicates the length of the first wake-up packet received. It is valid if one of the bits in the Wakeup Status register (WUS) is set. It is not cleared by any reset.

| Field | Bit(s) | Initial Value | Description |
|----------|--------|---------------|---|
| LEN | 11:0 | X | Length of Wake-up Packet. (If jumbo frames are enabled and the packet is longer than 2047 bytes then this field is 2047.) |
| Reserved | 31:12 | 0x0 | Reserved. Write 0x0, ignore on read. |

8.21.5 Wake Up Packet Memory - WUPM (0x5A00 + 4*n [n=0...31]; RO)

This register is read-only and it is used to store the first 128 bytes of the wake up packet for software retrieval after system wake up. It is not cleared by any reset.

| Field | Bit(s) | Initial Value | Description |
|-------|--------|---------------|---------------------|
| WUPD | 31:0 | X | Wakeup Packet Data. |

8.21.6 Proxying Filter Control Register - PROXYFC (0x5F60; R/W)

This register is used to enable each of the pre-defined and flexible filters for proxying support. A value of 1b means the filter is turned on. A value of 0b means the filter is turned off.

If the *NoTCO* bit is set, then any packet that passes the manageability packet filtering, as described in [Section 10.3](#), is not forwarded to management (i.e. firmware) for protocol offload even if it passes one of the proxying filters.



| Field | Bit(s) | Initial Value | Description |
|--------------|--------|---------------|---|
| D0_PROXY | 0 | 0b | Enable Protocol Offload in D0. 0b = Enable protocol offload only when device is in D3 low power state. 1b = Enable protocol offload always. <i>Note:</i> Protocol offload is enabled only when the <i>WUC.PPROXYE</i> and <i>MANC.MPROXYE</i> bits are set to 1b. |
| Reserved | 1 | 0b | Reserved. Write 0b, ignore on read. |
| EX | 2 | 0b | Directed Exact Proxy Enable. ¹ |
| MC | 3 | 0b | Directed Multicast Proxy Enable. |
| BC | 4 | 0b | Broadcast Proxy Enable. |
| ARP Directed | 5 | 0b | ARP Request Packet and IP4AT Match Proxy Enable. If set to 1b forward to Management for proxying on match of any ARP request packet that passed main filtering and Target IP address also matches one of the valid <i>IP4AT</i> filters. |
| IPv4 | 6 | 0b | Directed IPv4 Packet Proxy Enable. |
| IPv6 | 7 | 0b | Directed IPv6 Packet Proxy Enable. |
| Reserved | 8 | 0b | Reserved. Write 0b, ignore on read. |
| NS | 9 | 0b | IPv6 Neighbor Solicitation Proxy Enable. If set to 1b forward to management for proxying on match of any ICMPv6 packet such as a NS packet or MLD packet that passed main filtering. |
| NS Directed | 10 | 0b | IPv6 Neighbor Solicitation and Directed DA Match Proxy Enable. If set to 1b forward to Management for proxying on match of any ICMPv6 packet such as a NS packet or MLD packet that passed main filtering and the field placed in the target IP address of a NS packet (9th byte to 24th byte of the ICMPv6 header) also matches a valid <i>IPV6AT</i> filter. |
| ARP | 11 | 0b | ARP Request Packet Proxy Enable. If set to 1b, forwards to management for proxying on a match of any ARP request packet that passed main filtering. |
| Reserved | 14:12 | 0x0 | Reserved. Write 0x0, ignore on read. |
| NoTCO | 15 | 0b | Ignore TCO/Management Packets for Proxying. 0b = Ignore only TCO/management packets for proxying that meet the criteria defined in the MNGONLY register (intended only for the MC and not the host). 1b = Ignore any TCO/management packets for proxying, even if in normal operation it's forwarded to the host in addition to the MC. |
| FLX0 | 16 | 0b | Flexible Filter 0 Enable. |
| FLX1 | 17 | 0b | Flexible Filter 1 Enable. |
| FLX2 | 18 | 0b | Flexible Filter 2 Enable. |
| FLX3 | 19 | 0b | Flexible Filter 3 Enable. |
| FLX4 | 20 | 0b | Flexible Filter 4 Enable. |
| FLX5 | 21 | 0b | Flexible Filter 5 Enable. |
| FLX6 | 22 | 0b | Flexible Filter 6 Enable. |
| FLX7 | 23 | 0b | Flexible Filter 7 Enable. |
| Reserved | 31:24 | 0x0 | Reserved. Write 0x0, ignore on read. |

1. If the *RCTL.UPE* is set, and the *EX* bit is also set, any unicast packet is sent to management for proxying.



8.21.7 Proxying Status Register - PROXYS (0x5F64; R/W1C)

This register is used to record statistics about all proxying packets received. If a packet matches multiple criteria then multiple bits could be set. Writing a 1b to any bit clears that bit.

This register is not cleared when PE_RST_N is asserted. It is only cleared when LAN_PWR_GOOD is de-asserted or when cleared by the software device driver.

Note: If additional packets are received that matches one of the wake-up filters, after the original wake-up packet is received, the PROXYS register is updated with the matching filters accordingly.

| Field | Bit(s) | Initial Value | Description |
|--------------|--------|---------------|---|
| Reserved | 1:0 | 0x0 | Reserved. Write 0x0, ignore on read. |
| EX | 2 | 0b | Directed Exact Packet Received. The packet's address matched one of the 32 pre-programmed exact values in the Receive Address registers, the packet was a unicast packet and <i>RCTL.UPE</i> is set to 1b. |
| MC | 3 | 0b | Directed Multicast Packet Received. The packet was a multicast packet hashed to a value that corresponded to a 1 bit in the Multicast Table Array or the packet was a multicast packet and <i>RCTL.MPE</i> is set to 1b. |
| BC | 4 | 0b | Broadcast Packet Received. |
| ARP Directed | 5 | 0b | ARP Request Packet with IP4AT Filter Match Received. When set to 1b indicates a match on any ARP request packet that passed main filtering and Target IP address also matches one of the valid <i>IP4AT</i> filters. |
| IPv4 | 6 | 0b | Directed IPv4 Packet Received. |
| IPv6 | 7 | 0b | Directed IPv6 Packet Received. |
| Reserved | 8 | 0b | Reserved. Write 0b, ignore on read. |
| NS | 9 | 0b | IPv6 Neighbor Solicitation Received. When set to 1b, indicates a match on a NS packet that passed main filtering. |
| NS Directed | 10 | 0b | IPv6 Neighbor Solicitation with Directed DA filter Match Received. When set to 1b, indicates a match on a NS packet and target IP address that also matches a valid <i>IPV6AT</i> filter. |
| ARP | 11 | 0b | ARP Request Packet Received. When set to 1b indicates a match on any ARP request packet that passed main filtering. |
| Reserved | 15:12 | 0x0 | Reserved. Write 0x0, ignore on read. |
| FLX0 | 16 | 0b | Flexible Filter 0 Match. |
| FLX1 | 17 | 0b | Flexible Filter 1 Match. |
| FLX2 | 18 | 0b | Flexible Filter 2 Match. |
| FLX3 | 19 | 0b | Flexible Filter 3 Match. |
| FLX4 | 20 | 0b | Flexible Filter 4 Match. |
| FLX5 | 21 | 0b | Flexible Filter 5 Match. |
| FLX6 | 22 | 0b | Flexible Filter 6 Match. |
| FLX7 | 23 | 0b | Flexible Filter 7 Match. |
| Reserved | 31:24 | 0b | Reserved. Write 0b, ignore on read. |

Note: FLX0-7 bits are set only when flex filter match is detected and WUFC.FLEX_HQ is 0b.



8.21.8 Proxying Filter Control Extended Register - PROXYFCEX (0x5590; R/W)

This register is an extension to PROXYFC and is used to control and enable the routing to management (i.e. firmware) of a set of pre-defined and flexible filters and filter combinations for proxying support.

| Field | Bit(s) | Initial Value | Description |
|------------------|--------|---------------|---|
| mDNS | 0 | 0b | Route to management if UDP and UDP port equals 5353. |
| mDNS_mDirected | 1 | 0b | Route to management if UDP and port equals to 5353 and multicast IP match - if IPv4 224.0.0.251, if IPv6 FF02::FB. |
| mDNS_uDirected | 2 | 0b | Route to management if UDP and port equals to 5353 and unicast IP match - if IPv4 any entry in IP4AT, if IPv6 any entry in IP6AT. |
| IPv4_mDirected | 3 | 0b | Route to management if multicast IPv4 match 224.0.0.251. |
| IPv6_mDirected | 4 | 0b | Route to management if multicast IPv6 match FF02::FB. |
| IGMP | 5 | 0b | Route to management if IPv4 packet and protocol equals 02. |
| IGMP_mDirected | 6 | 0b | Route to management if multicast IPv4 equals 224.0.0.251 and protocol equals 02. |
| ARP_RES | 7 | 0b | ARP Response Packet Proxy Enable. If set to 1b forward to management for proxying on match of any ARP response packet that passed main filtering. |
| ARP_RES_Directed | 8 | 0b | ARP Response Packet and IP4AT match Proxy Enable. If set to 1b forward to management for proxying on match of any ARP response packet that passed main filtering and target IP address also matches one of the valid <i>IP4AT</i> filters. |
| ICMPv4 | 9 | 0b | Route to management if IPv4 packet and protocol equals 01. |
| ICMPv4_Directed | 10 | 0b | Route to management if unicast IPv4 equals any of the IP4AT addresses and the protocol equals 01. |
| ICMPv6 | 11 | 0b | Route to management if IPv6 packet and protocol equals 58. |
| ICMPv6_Directed | 12 | 0b | Route to management if unicast IPv6 equals any of the IP6AT addresses and the protocol equals 58. |
| DNS | 13 | 0b | Route to management if UDP/TCP and source port equals to 53. |
| Reserved | 23:14 | 0x0 | Reserved. |
| RA8 | 24 | 0b | Route to management if MAC address matched RA8. |
| RA9 | 25 | 0b | Route to management if MAC address matched RA9. |
| RA10 | 26 | 0b | Route to management if MAC address matched RA10. |
| RA11 | 27 | 0b | Route to management if MAC address matched RA11. |
| RA12 | 28 | 0b | Route to management if MAC address matched RA12. |
| RA13 | 29 | 0b | Route to management if MAC address matched RA13. |
| RA14 | 30 | 0b | Route to management if MAC address matched RA14. |
| RA15 | 31 | 0b | Route to management if MAC address matched RA15. |

8.21.9 Proxying Extended Status Register - PROXYEXS (0x5594; R/W1C)

This register is used to record statistics about all proxying packets received. If a packet matches multiple criteria then multiple bits could be set. Writing a 1b to any bit clears that bit.

This register is not cleared when PE_RST_N is asserted. It is only cleared when LAN_PWR_GOOD is de-asserted or when cleared by the software device driver.



Note: If additional packets are received that matches one of the wake-up filters, after the original wake-up packet is received, the PROXYS register is updated with the matching filters accordingly.

| Field | Bit(s) | Initial Value | Description |
|------------------|--------|---------------|---|
| mDNS | 0 | 0b | mDNS matched. |
| mDNS_mDirected | 1 | 0b | mDNS_mDirected matched. |
| mDNS_uDirected | 2 | 0b | mDNS_uDirected matched. |
| IPv4_mDirected | 3 | 0b | IPv4_mDirected matched. |
| IPv6_mDirected | 4 | 0b | IPv6_mDirected matched. |
| IGMP | 5 | 0b | IGMP matched. |
| IGMP_mDirected | 6 | 0b | IGMP_mDirected matched. |
| ARP_RES | 7 | 0b | ARP_RES matched. |
| ARP_RES_Directed | 8 | 0b | ARP_RES_Directed matched. |
| ICMPv4 | 9 | 0b | ICMPv4 matched. |
| ICMPv4_Directed | 10 | 0b | ICMPv4_Directed matched. |
| ICMPv6 | 11 | 0b | ICMPv6 matched. |
| ICMPv6_Directed | 12 | 0b | ICMPv6_Directed matched. |
| DNS | 13 | 0b | DNS matched. |
| Reserved | 23:14 | 0x0 | Reserved. Write 0x0, ignore on read. |
| RA8 | 24 | 0b | RA8 matched. |
| RA9 | 25 | 0b | RA9 matched. |
| RA10 | 26 | 0b | RA10 matched. |
| RA11 | 27 | 0b | RA11 matched. |
| RA12 | 28 | 0b | RA12 matched. |
| RA13 | 29 | 0b | RA13 matched. |
| RA14 | 30 | 0b | RA14 matched. |
| RA15 | 31 | 0b | RA15 matched. |

8.21.10 Wake Flex UDP/TCP Ports Filter - WFUTPF (0x5500 + 4*n [n=0...31]; RW)

Each 32-bit register (n=0...31) refers to one UDP/TCP port filters.

| Field | Bit(s) | Initial Value | Description |
|-------|--------|---------------|--------------------------------------|
| Port | 15:0 | 0x0 | Flex TCP/UDP Destination Port Value. |



| Field | Bit(s) | Initial Value | Description |
|----------|--------|---------------|---|
| Control | 17:16 | 00b | Flex Port Control. 00b = Port filter disabled. 01b = UDP port. 10b = TCP port. 11b = TCP port and TCP flag SYN set, TCP flag RESET clear. |
| Action | 18 | 0b | The <i>Action</i> bit defines the action to take on a match to an enabled filter. 0b = Host wake up. 1b = Route to the MC. Routing to the MC is only enabled when proxy functionality is enabled and is not intended for pass through. No host wake up performed. |
| Reserved | 31:19 | 0x0 | Reserved. Write 0x0, ignore on read. |

8.21.11 Range Flex UDP/TCP Port Filter - RFUTPF (0x5580; RW)

| Field | Bit(s) | Initial Value | Description |
|----------|--------|---------------|---|
| LowPort | 15:0 | 0x0 | Range Flex UDP/TCP Ports Filter Low. This port filter marks the lowest port value for the range port filter. |
| HighPort | 31:16 | 0x0 | Range Flex UDP/TCP Ports Filter High. This port filter marks the highest port value for the range port filter. |

8.21.12 Range and Wake Port Filter Control - RWPFC (0x5584; RW)

| Field | Bit(s) | Initial Value | Description |
|--------------|--------|---------------|--|
| RangeControl | 1:0 | 00b | Range Port Filter Control. 00b = Port Filter disabled. 01b = UDP port. 10b = TCP port. 11b = TCP port and TCP flag SYN set; TCP flag RESET clear. |
| RangeAction | 2 | 0b | The <i>Range Action</i> bit defines the action to take on a match to the range port filter. 0b = Host wake up. 1b = Route to the MC. Routing to the MC is only enabled when proxy functionality is enabled and is not intended for pass through. |
| Reserved | 7:3 | 0x0 | Reserved. |
| NonIPsecKA | 8 | 0b | Non IPSEC Keep Alive to UDP 4500. Packet structure- UDP packet UDP destination port 4500, the first byte after the UDP header is not 0xFF. Refer to RFC 3948 for more information. |
| TCP_SSH_Data | 9 | 0b | TCP SSH Data - port 22 (RESET, SYN, FIN - cleared). Packet structure- TCP packet with TCP destination port of 22; TCP flags doesn't have the RESET, SYN and FIN flag set. |
| MagicUDP | 10 | 0b | UDP 3283 Magic WU Packet. Packet structure - DP packet UDP destination port 3283, first 2 bytes after the UDP header are 0x13, 0x88, UDP payload is >=100 bytes, and contains a Magic Packet structure in it. |
| Reserved | 31:11 | 0x0 | Reserved. Write 0x0, ignore on read. |



8.21.13 Wake Flex UDP/TCP Ports Status - WFUTPS (0x5588, R/W1C)

| Field | Bit(s) | Initial Value | Description |
|--------|--------|---------------|-----------------------|
| Port0 | 0 | 0b | Flex Port 0 matched. |
| Port1 | 1 | 0b | Flex Port 1 matched. |
| Port2 | 2 | 0b | Flex Port 2 matched. |
| Port3 | 3 | 0b | Flex Port 3 matched. |
| Port4 | 4 | 0b | Flex Port 4 matched. |
| Port5 | 5 | 0b | Flex Port 5 matched. |
| Port6 | 6 | 0b | Flex Port 6 matched. |
| Port7 | 7 | 0b | Flex Port 7 matched. |
| Port8 | 8 | 0b | Flex Port 8 matched. |
| Port9 | 9 | 0b | Flex Port 9 matched. |
| Port10 | 10 | 0b | Flex Port 10 matched. |
| Port11 | 11 | 0b | Flex Port 11 matched. |
| Port12 | 12 | 0b | Flex Port 12 matched. |
| Port13 | 13 | 0b | Flex Port 13 matched. |
| Port14 | 14 | 0b | Flex Port 14 matched. |
| Port15 | 15 | 0b | Flex Port 15 matched. |
| Port16 | 16 | 0b | Flex Port 16 matched. |
| Port17 | 17 | 0b | Flex Port 17 matched. |
| Port18 | 18 | 0b | Flex Port 18 matched. |
| Port19 | 19 | 0b | Flex Port 19 matched. |
| Port20 | 20 | 0b | Flex Port 20 matched. |
| Port21 | 21 | 0b | Flex Port 21 matched. |
| Port22 | 22 | 0b | Flex Port 22 matched. |
| Port23 | 23 | 0b | Flex Port 23 matched. |
| Port24 | 24 | 0b | Flex Port 24 matched. |
| Port25 | 25 | 0b | Flex Port 25 matched. |
| Port26 | 26 | 0b | Flex Port 26 matched. |
| Port27 | 27 | 0b | Flex Port 27 matched. |
| Port28 | 28 | 0b | Flex Port 28 matched. |
| Port29 | 29 | 0b | Flex Port 29 matched. |
| Port30 | 30 | 0b | Flex Port 30 matched. |
| Port31 | 31 | 0b | Flex Port 31 matched. |

8.21.14 Wake Control Status - WCS (0x558C, R/W1C)

| Field | Bit(s) | Initial Value | Description |
|--------------|--------|---------------|-----------------------|
| RangeControl | 0 | 0b | RangeControl Matched. |
| NonIPsecKA | 1 | 0b | NonIPsecKA Matched. |
| TCP_SSH_Data | 2 | 0b | TCP_SSH_Data Matched. |
| MagicUDP | 3 | 0b | MagicUDP Matched. |



| Field | Bit(s) | Initial Value | Description |
|---------------------------|--------|---------------|--|
| Reserved | 29:4 | 0x0 | Reserved. Write 0x0, ignore on read. |
| LocalIPorNameConflict | 30 | 0b | Local IP Conflict or Name Conflict Detected by Proxy. A firmware write of 1b sets the field, while a software write of 1b clears the field. Firmware writes to set are not blocked if other fields of the status are already set. |
| mDNS Proxy Error Recovery | 31 | 0b | mDNS Proxy Error Recovery. A firmware write of 1b sets the field, while a software write of 1b clears the field. Firmware writes to set are not blocked if other fields of the status are already set. |

8.21.15 IP Address Valid - IPAV (0x5838; R/W)

The IP address valid indicates whether the IP addresses in the IP address table are valid.

| Field | Bit(s) | Initial Value | Description |
|----------|--------|---------------|---|
| V40 | 0 | 0b | IPv4 Address 0 Valid. |
| V41 | 1 | 0b | IPv4 Address 1 Valid. |
| V42 | 2 | 0b | IPv4 Address 2 Valid. |
| V43 | 3 | 0b | IPv4 Address 3 Valid. |
| Reserved | 15:4 | 0x0 | Reserved. Write 0x0, ignore on read. |
| V60 | 16 | 0b | IPv6 Address 0 Valid. |
| Reserved | 31:17 | 0x0 | Reserved. Write 0x0, ignore on read. |

8.21.16 IPv4 Address Table - IP4AT (0x5840 + 8*n [n=0...3]; R/W)

The IPv4 address table is used to store the four IPv4 addresses for the ARP/IPv4 request packet and directed IP packet wake up.

| Field | Bit(s) | Initial Value | Description |
|------------|--------|---------------|--|
| IP Address | 31:0 | X | IPv4 Address n. <i>Note:</i> These registers are written in Big Endian order (LS byte is first on the wire and is the MS byte of the IPV4 address). |

| Field | Dword # | Address | Bit(s) | Initial Value | Description |
|-----------|---------|---------|--------|---------------|-----------------|
| IPV4ADDR0 | 0 | 0x5840 | 31:0 | X | IPv4 Address 0. |
| IPV4ADDR1 | 2 | 0x5848 | 31:0 | X | IPv4 Address 1. |
| IPV4ADDR2 | 4 | 0x5850 | 31:0 | X | IPv4 Address 2. |
| IPV4ADDR3 | 6 | 0x5858 | 31:0 | X | IPv4 Address 3. |



8.21.17 IPv6 Address Table - IP6AT (0x5880 + 4*n [n=0...3]; R/W)

The IPv6 address table is used to store the IPv6 addresses for neighbor discovery packet filtering and directed IP packet wake up.

| Field | Bit(s) | Initial Value | Description |
|------------|--------|---------------|--|
| IP Address | 31:0 | X | IPv6 Address bytes 4*n+1:4*n +4. <i>Note:</i> These registers appear in Big Endian order (LS byte, LS address is first on the wire and is the MS byte of the IPV6 address). |

| Field | Dword # | Address | Bit(s) | Initial Value | Description |
|-----------|---------|---------|--------|---------------|------------------------------|
| IPV6ADDR0 | 0 | 0x5880 | 31:0 | X | IPv6 Address 0, bytes 1-4. |
| | 1 | 0x5884 | 31:0 | X | IPv6 Address 0, bytes 5-8. |
| | 2 | 0x5888 | 31:0 | X | IPv6 Address 0, bytes 9-12. |
| | 3 | 0x588C | 31:0 | X | IPv6 Address 0, bytes 16-13. |

8.21.18 Flexible Host Filter Table Registers - FHFT (0x9000 + 4*n [n=0...255]; RW)

Each of the 8 Flexible Host Filters Table registers (FHFT and FHFT_EXT) contains a 128 byte pattern and a corresponding 128-bit mask array. If enabled, the first 128 bytes of the received packet are compared against the non-masked bytes in the FHFT register.

Each 128 byte filter is composed of 32 Dword entries, where each 2 Dwords are accompanied by an 8-bit mask, one bit per filter byte. When a bit in the 8-bit mask field is set the corresponding byte in the filter is compared.

The 8 LSB bits of the last Dword of each filter contains a length field defining the number of bytes from the beginning of the packet compared by this filter, the length field should be 8 bytes aligned value. If actual packet length is less than (length - 8) (length is the value specified by the length field), the filter fails. Otherwise, it depends on the result of actual byte comparison. The value should not be greater than 128.

Note: The length field must be 8 bytes aligned. For filtering packets shorter than 8 bytes aligned, the values should be rounded down to the previous 8 bytes aligned value.

Bits 31:8 of the last Dword of each filter also includes a *Queueing* field (refer to [Section 8.21.18.1](#)). When the I210 is in the D0 state, the *WUFC.FLEX_HQ* bit is set to 1b, *MRQC.Multiple Receive Queues* = 010b or 000b and the packet matches the flex filter, the *Queueing* field defines the receive queue for the packet, priority of the filter and actions to be initiated.

| Field | Bit(s) | Initial Value | Description |
|------------|--------|---------------|---|
| Bit Vector | 31:0 | X | The details of the bit vector are described in Table 8-24 . |



Table 8-24. FHFT Filter Description

| | | | | | | | | | |
|----------|---|----------|---|--------------|---|------|---|---------|---|
| 31 | 0 | 31 | 8 | 7 | 0 | 31 | 0 | 31 | 0 |
| Reserved | | Reserved | | Mask [7:0] | | DW 1 | | Dword 0 | |
| Reserved | | Reserved | | Mask [15:8] | | DW 3 | | Dword 2 | |
| Reserved | | Reserved | | Mask [23:16] | | DW 5 | | Dword 4 | |
| Reserved | | Reserved | | Mask [31:24] | | DW 7 | | Dword 6 | |

....

| | | | | | | | | | | | |
|----------|---|----------|---|----------|---|----------------|---|-------|---|----------|---|
| 31 | 8 | 7 | 0 | 31 | 8 | 7 | 0 | 31 | 0 | 31 | 0 |
| Reserved | | Reserved | | Reserved | | Mask [119:112] | | DW 29 | | Dword 28 | |
| Queueing | | Length | | Reserved | | Mask [127:120] | | DW 31 | | Dword 30 | |

Accessing the FHFT registers during filter operation can result in a packet being mis-classified if the write operation collides with packet reception. It is therefore advised that the flex filters are disabled prior to changing their setup.

8.21.18.1 Flex Filter Queueing Field

The *Queueing* field resides in bits 31:8 of last Dword (Dword 63) of flex filter. The *Queueing* field defines the receive queue to forward the packet (*RQUEUE*), the filter priority (*FLEX_PRIO*) and additional filter actions. Operations defined in *Queueing* field are enabled when the I210 is in the D0 state, *MRQC.Multiple Receive Queues* = 010b or 000b, *WUFC.FLEX_HQ* is 1b and relevant *WUFC.FLX[n]* bit is set.

| Field | Bit(s) | Initial Value | Description |
|---------------------|--------|---------------|--|
| Length | 7:0 | X | Length. Filter length in bytes. Should be 8 bytes aligned and not greater than 128 bytes. |
| RQUEUE | 10:8 | X | Receive Queue. Defines receive queue associated with this flex filter. When a match occurs in D0 state, the packet is forwarded to the receive queue. |
| Reserved | 15:11 | X | Reserved. Write 0x0, ignore on read. |
| FLEX_PRIO | 18:16 | X | Flex Filter Priority. Defines the priority of the filter assuming two filters with the same priority don't match. If two filters with the same priority match the incoming packet, the first filter (lowest address) is used in order to define the queue destination of this packet. |
| Reserved | 23:19 | X | Reserved. Write 0x0, ignore on read. |
| Immediate Interrupt | 24 | X | Enables issuing an immediate interrupt when the flex filter matches the incoming packet. |
| Reserved | 31:25 | X | Reserved. Write 0x0, ignore on read. |



8.21.18.2 Flex Filter 0 - Example

| Field | Dword | Address | Bit(s) | Initial Value |
|------------------------|-------|---------|--------|---------------|
| Filter 0 DW0 | 0 | 0x9000 | 31:0 | X |
| Filter 0 DW1 | 1 | 0x9004 | 31:0 | X |
| Filter 0 Mask[7:0] | 2 | 0x9008 | 7:0 | X |
| Reserved | 3 | 0x900C | 31:0 | X |
| Filter 0 DW2 | 4 | 0x9010 | 31:0 | X |
| Filter 0 DW30 | 60 | 0x90F0 | 31:0 | X |
| Filter 0 DW31 | 61 | 0x90F4 | 31:0 | X |
| Filter 0 Mask[127:120] | 62 | 0x90F8 | 7:0 | X |
| Length | 63 | 0x90FC | 7:0 | X |
| Filter 0 Queueing | 63 | 0x90FC | 31:8 | X |

8.21.19 Flexible Host Filter Table Extended Registers - FHFT_EXT (0x9A00 + 4*n [n=0...255]; RW)

Each of the four additional Flexible Host Filters table extended registers (FHFT_EXT) contains a 128 byte pattern and a corresponding 128-bit mask array. If enabled, the first 128 bytes of the received packet are compared against the non-masked bytes in the FHFT_EXT register. The layout and access rules of this table are the same as in FHFT.

| Field | Bit(s) | Initial Value | Description |
|------------|--------|---------------|---|
| bit vector | 31:0 | X | The details of the bit vector are described in Table 8-24 . |

8.22 Management Register Descriptions

All management registers are controlled by the remote MC for both read and write. Host accesses to the management registers are blocked for write. The attributes for the fields in this section refer to the MC access rights.

Note: All the registers described in this section can get their default values from the Flash when manageability pass through works in legacy SMBus mode. The only exception being the MANC register where part of the bits are masked. The specific MANC bits that can be loaded from the Flash are indicated in the register description.

8.22.1 Management VLAN TAG Value - MAVTV (0x5010 +4*n [n=0...7]; RW)

Where "n" is the VLAN filter serial number, equal to 0,1...7.

| Field | Bit(s) | Initial Value | Description |
|----------|--------|---------------|--|
| VID | 11:0 | 0x0 | Contains the VLAN ID that should be compared with the incoming packet if the corresponding bit in MDEF is set. |
| Reserved | 31:12 | 0x0 | Reserved. Write 0x0, ignore on read |



The MAVTV registers are written by the MC and are not accessible to the host for writing. The registers are used to filter manageability packets as described in the manageability chapter.

8.22.2 Management Flex UDP/TCP Ports - MFUTP (0x5030 + 4*n [n=0...7]; 0x5070 + 4*n [n=0...7]; RW)

Where each 32-bit register (n=0...15) refers to one UDP/TCP port filters.

| Field | Bit(s) | Initial Value | Description |
|--------------------|--------|---------------|---|
| MFUTP port | 15:0 | 0x0 | Management Flex UDP/TCP port #n. |
| UDP | 16 | 0b | Match if port is UDP. |
| TCP | 17 | 0b | Match if port is TCP. |
| SOURCE DESTINATION | 18 | 0b | 0b = Compare destination port. 1b = Compare source port. |
| RESERVED | 31:19 | 0x0 | Reserved. |

The MFUTP registers are written by the MC and are not accessible to the host for writing. The registers are used to filter manageability packets. See [Section 10.3](#).

Reset - The MFUTP registers are cleared on LAN_PWR_GOOD only. The initial values for this register can be loaded from the Flash after power-up reset.

Note: The MFUTP[even] and MFUTP[odd] registers should be written in network order. MFUTP[0...7] are at 0x5030+4*[0...7]. MFUTP[8...15] are at 0x5070+4*[0...7].

8.22.3 Manageability Special Filters Modifiers - MSFM (0x5870; RW)

This register contains various modifiers impacting the behavior of the first level filters used as input to the decision filters.

| Field | Bit(s) | Initial Value | Description |
|--------------|--------|---------------|--|
| PORT_26F_UDP | 0 | 1b | Port 0x26F match if protocol is UDP. |
| PORT_26F_TCP | 1 | 1b | Port 0x26F match if protocol is TCP. |
| PORT_298_UDP | 2 | 1b | Port 0x298 match if protocol is UDP. |
| PORT_298_TCP | 3 | 1b | Port 0x298 match if protocol is TCP. |
| IPV6_0_MASK | 4 | 0b | Compare only 24 LSB bits of IPv6 Address 0 (MIPAF[0]). |
| IPV6_1_MASK | 5 | 0b | Compare only 24 LSB bits of IPv6 Address 1 (MIPAF[1]). |
| IPV6_2_MASK | 6 | 0x0 | Compare only 24 LSB bits of IPv6 Address 2 (MIPAF[2]). |
| IPV6_3_MASK | 7 | 0x0 | Compare only 24 LSB bits of IPv6 Address 3 (MIPAF[3]). |
| RESERVED | 31:8 | 0x0 | Reserved. |



8.22.4 Management Ethernet Type Filters- METF (0x5060 + 4*n [n=0...3]; RW)

| Field | Bit(s) | Initial Value | Description |
|----------|--------|---------------|--|
| METF | 15:0 | 0x0 | EtherType value to be compared against the L2 EtherType field in the Rx packet. |
| Reserved | 29:16 | 0x0 | Reserved. Write 0x0, ignore on read. |
| Polarity | 30 | 0b | 0b = Positive filter - forward packets matching this filter to the manageability block. 1b = Negative filter - block packets matching this filter from the manageability block. |
| Reserved | 31 | 0b | Reserved. Write 0b, ignore on read. |

The METF registers are written by the MC and are not accessible to the host for writing. The registers are used to filter manageability packets. See [Section 10.3](#).

Reset - The METF registers are cleared on LAN_PWR_GOOD only. The initial values for this register might be loaded from the Flash after power-up reset.

8.22.5 Management Control Register - MANC (0x5820; RW)

The MANC register can be written by the MC and is not accessible to the host for writing.

| Field | Bit(s) | Initial Value | Description |
|----------------------|--------|-----------------|--|
| Flow Control Discard | 0 | 0b | 0b = Apply filtering rules to packets with Flow Control EtherType. 1b = Discard packets with Flow Control EtherType. Note: Flow Control EtherType is 0x8808. |
| NCSI Discard | 1 | 0b | 0b = Apply filtering rules to packets with NC-SI EtherType. 1b = Discard packets with NC-SI EtherType. Note: NC-SI EtherType is 0x88F8. |
| Reserved | 13:2 | 0x0 | Reserved. Write 0x0, ignore on read. |
| FW_RESET (R/W1C) | 14 | 0b | Firmware Reset Occurred. Set to 1b on a TCO firmware reset. Cleared by write 1b. |
| TCO_Isolate (RO) | 15 | 0b | Set to 1b on a TCO Isolate command. When the <i>TCO_Isolate</i> bit is set. Host write cycles are completed successfully on the PCIe but silently ignored by internal logic. Note that when firmware initiates the TCO Isolate command it also initiates a firmware interrupt via the <i>ICR.MNG</i> bit to the host and writes a value of 0x22 to the <i>FWSM.Ext_Err_Ind</i> field. This bit is RO and mirrors the value of the <i>Isolate</i> bit in the internal management registers. |
| TCO_RESET (R/W1C) | 16 | 0b | TCO Reset Occurred. Set to 1b on a TCO reset, to reset LAN port by the MC. Cleared by write 1b. |
| RCV_TCO_EN | 17 | 0b ¹ | TCO Receive Traffic Enabled. When this bit is set, receive traffic to manageability is enabled. This bit should be set only if either the MANC.EN_BMC2OS or MANC.EN_BMC2NET bits are set. |



| Field | Bit(s) | Initial Value | Description |
|------------------|--------|-----------------|--|
| KEEP_PHY_LINK_UP | 18 | 0b ¹ | Block PHY reset and power state changes. When this bit is set, the PHY reset and power state changes do not effect the PHY, This bit can not be written to unless the <i>Keep_PHY_Link_Up_En</i> Flash bit is set. |
| Reserved | 19 | 0b | Reserved. |
| Reserved | 22:20 | 0b | Reserved. Write 0b, ignore on read. |
| EN_XSUM_FILTER | 23 | 0b ¹ | Enable Checksum Filtering to MNG. When this bit is set, only packets that pass L3and L4 checksums are sent to the manageability block. |
| EN_IPv4_FILTER | 24 | 0b ¹ | Enable IPv4 address Filters. When set, the last 128 bits of the MIPAF register are used to store 4 IPv4 addresses for IPv4 filtering. When cleared, these bits store a single IPv6 filter. |
| FIXED_NET_TYPE | 25 | 0b ¹ | Fixed Net Type. If set, only packets matching the net type defined by the <i>NET_TYPE</i> field passes to manageability. Otherwise, both tagged and un-tagged packets can be forwarded to the manageability engine. |
| NET_TYPE | 26 | 0b ¹ | Net Type. 0b = Pass only un-tagged packets. 1b = Pass only VLAN tagged packets. Valid only if <i>FIXED_NET_TYPE</i> is set. |
| Reserved | 27 | 0b | Reserved. Write 0b, ignore on read. |
| EN_BMC2OS (RO) | 28 | 0b ¹ | Enable MC-to-OS and OS-to-MC Traffic. 0b = The MC cannot communicate with the operating system. 1b = The MC can communicate with the operating system. When cleared, the MC traffic is not forwarded to the operating system, even if the host is the MAC. The address filter and VLANs (RAH/L, MTA, VFTA and VLVF registers) indicate that it should. When cleared, the operating system traffic is not forwarded to the MC even if the decision filters indicates it should. This bit does not impact the MC-to-network traffic. Notes: 1. Initial value loaded according to value of port n traffic types field in the Flash(refer to Section 6.7.7.2). 2. Bit reflects the internal management Aux register bit. |



| Field | Bit(s) | Initial Value | Description |
|-----------------|--------|-----------------|--|
| EN_BMC2NET (RO) | 29 | 1b ¹ | Enable MC to network and network to MC traffic. 0b = The MC cannot communicate with the network. 1b = The MC can communicate with the network. When cleared, the MC traffic is not forwarded to the network and the network traffic is not forwarded to the MC even if the decision filters indicates it should. This bit does not impact the host-to-MC traffic. Note: 1. Initial value loaded according to value of <i>Port n traffic types</i> field in Flash (refer to Section 6.7.7.2). 2. |
| MPROXYE (RO) | 30 | 0b ¹ | Management Proxying Enable. When set to 1b, proxying of packets is enabled when the device is in a D3 low power state. 0b = Manageability does not support proxying. 1b = Manageability supports proxying. Note: Proxy information and requirements are passed by the software device driver to firmware via the shared RAM host interface (refer to Section 10.8 , Section 8.23 and Section 10.8.2.4.5). Note: Proxying traffic from and to firmware is not affected by the <i>MANC.RCV_TCO_EN</i> bit or the <i>MANC.EN_BMC2NET</i> bit. |
| Reserved | 31 | 0b | Reserved Write 0b, ignore on read. |

1. Bit loaded from Flash.

8.22.6 Management Only Traffic Register - MNGONLY (0x5864; RW)

The MNGONLY register enables exclusive filtering of a certain type of traffic to the MC. Exclusive filtering enables the MC to define certain packets that are forwarded to the MC but not to the host. The packets are not be forwarded to the host even if they pass the host L2 filtering process.

Each manageability decision filter (*MDEF* and *MDEF_EXT*) has a corresponding bit in the MNGONLY register. When a manageability decision filter (*MDEF* and *MDEF_EXT*) forwards a packet to manageability, it can also block the packet from being forwarded to the host if the corresponding *MNGONLY* bit is set.

| Field | Bit(s) | Initial Value ¹ | Description |
|------------------|--------|----------------------------|---|
| Exclusive to MNG | 7:0 | 0x0 | Exclusive to MNG. When set, indicates that packets forwarded by the manageability filters to manageability are not sent to the host. Bits 0...7 correspond to decision rules defined in registers <i>MDEF</i> [0...7] and <i>MDEF_EXT</i> [0...7]. |
| Reserved | 31:8 | 0x0 | Reserved. Write 0x0, ignore on read. |

1. The initial values for this register can be loaded from the Flash after power-up reset or firmware reset.

8.22.7 Manageability Decision Filters- MDEF (0x5890 + 4*n [n=0...7]; RW)

Where *n* is the decision filter.



| Field | Bit(s) | Initial Value ¹ | Description |
|---------------|--------|----------------------------|---|
| Exact AND | 3:0 | 0x0 | Exact. Controls the inclusion of exact MAC address 0 to 3. In the manageability filter decision (AND section). Bit 0 corresponds to exact MAC address 0 (MMAL0 and MMAH0), etc. |
| Broadcast AND | 4 | 0b | Broadcast. Controls the inclusion of broadcast address filtering in the manageability filter decision (AND section). |
| VLAN AND | 12:5 | 0x0 | VLAN. Controls the inclusion of VLAN tag 0 to 7, respectively. In the manageability filter decision (AND section). Bit 5 corresponds to VLAN tag 0, etc. |
| IPv4 Address | 16:13 | 0x0 | IPv4 Address. Controls the inclusion of IPV4 address 0 to3, respectively in the manageability filter decision (AND section). Bit 13 corresponds to IPV4 address 0, etc. Note: This field is relevant only if <i>MANC.EN_IPv4_FILTER</i> is set. |
| IPv6 Address | 20:17 | 0b | IPv6 Address. Controls the inclusion of IPV6 address 0 to3, respectively in the manageability filter decision (AND section). Bit 17 corresponds to IPV6 address 0, etc. Notes: 1. Bit 20 is relevant only if <i>MANC.EN_IPv4_FILTER</i> is cleared. 2. Supported only for network traffic. For host traffic, any IPv6 packet passes this filter. |
| Exact OR | 24:21 | 0x0 | Exact. Controls the inclusion of exact MAC address 0 to 3. In the manageability filter decision (OR section). Bit 21 corresponds to exact MAC address 0 (MMAL0 and MMAH0), etc. |
| Broadcast OR | 25 | 0b | Broadcast. Controls the inclusion of broadcast address filtering in the manageability filter decision (OR section). |
| Multicast AND | 26 | 0b | Multicast. Controls the inclusion of multicast address filtering in the manageability filter decision (AND section). Broadcast packets are not included by this bit. |
| ARP Request | 27 | 0b | ARP Request. Controls the inclusion of ARP request filtering in the manageability filter decision (OR section). Note: Supported only for network traffic. |
| ARP Response | 28 | 0b | ARP Response. Controls the inclusion of ARP response filtering in the manageability filter decision (OR section). Note: Supported only for network traffic. |



| Field | Bit(s) | Initial Value ¹ | Description |
|--|--------|----------------------------|---|
| Neighbor Discovery -134 (Router Advertisement) | 29 | 0b | Router Advertisement Discovery. Controls the inclusion of router advertisement filtering in the manageability filter decision (OR section). Notes: 1. Supported only for network traffic. For host traffic, any IPv6 packet passes this filter. 2. Neighbor discovery types supported by this bit is 0x86 (134d) - router advertisement. |
| Port 0x298 | 30 | 0b | Port 0x298. Controls the inclusion of Port 0x298 filtering in the manageability filter decision (OR section). Note: Supported only for network traffic or IPv4 host traffic. For Ipv6 packets received from host, this filter fails. |
| Port 0x26F | 31 | 0b | Port 0x26F. Controls the inclusion of Port 0x26F filtering in the manageability filter decision (OR section). Note: Supported only for network traffic or IPv4 host traffic. For Ipv6 packets received from host, this filter fails. |

1. Default values are read from Flash.

8.22.8 Manageability Decision Filters- MDEF_EXT (0x5930 + 4*n[n=0..7]; RW)

| Field | Bit(s) | Initial Value ¹ | Description |
|--|--------|----------------------------|---|
| L2 EtherType AND | 3:0 | 0x0 | L2 EtherType. Controls the inclusion of L2 EtherType filtering in the manageability filter decision (AND section). |
| L2 EtherType OR | 7:4 | 0x0 | L2 EtherType. Controls the inclusion of L2 EtherType filtering in the manageability filter decision (OR section). |
| Flex port | 23:8 | 0x0 | Flex port. Controls the inclusion of flex port filtering in the manageability filter decision (OR section). Bit 8 corresponds to flex port 0, etc. Note: Supported only for network traffic or IPv4 host traffic. For Ipv6 packets received from host, this filter fails. |
| Flex TCO | 24 | 0b | Flex TCO. Controls the inclusion of flex TCO filtering in the manageability filter decision (OR section). Bit 24 corresponds to flex TCO filter 0. Note: Supported only for network traffic. For packets received from host, this filter passes. |
| Neighbor Discovery -135 (Solicitation) | 25 | 0b | Neighbor Solicitation. Controls the inclusion of neighbor solicitation filtering in the manageability filter decision (OR section). Notes: 1. Supported only for network traffic. For host traffic, any IPv6 packet passes this filter. 2. Neighbor discovery types supported by this bit is 0x87 (135d) - neighbor solicitation |



| Field | Bit(s) | Initial Value ¹ | Description |
|---|--------|----------------------------|---|
| Neighbor Discovery -136 (Advertisement) | 26 | 0b | Neighbor Advertisement. Controls the inclusion of neighbor advertisement filtering in the manageability filter decision (OR section). Notes: 1. Supported only for network traffic. For host traffic, any IPv6 packet passes this filter. 2. Neighbor discovery types supported by this bit is 0x88 (136d) - neighbor advertisement. |
| Neighbor Discovery -137 (Redirect) | 27 | 0b | Redirect Neighbor Discovery. Controls the inclusion of redirect neighbor discovery filtering in the manageability filter decision (OR section). Notes: 1. Supported only for network traffic. For host traffic, any IPv6 packet passes this filter. 2. Neighbor discovery types supported by this bit is 0x89 (137d) - redirect. |
| ICMPv4_OR | 28 | 0b | Controls the inclusion of ICMPv4 filtering in the manageability filter decision (OR section). |
| MLD | 29 | 0b | MLD. Controls the inclusion of MLD packets. These are ICMPv6 packets with the following types: 130, 131, 132, 143. Note: Supported only for network traffic. For host traffic, any IPv6 packet passes this filter. |
| Apply_to_network_traffic | 30 | 0b | 0b = Do not apply this decision filter to traffic received from the network. 1b = Apply this decision filter to traffic received from the network. |
| Apply_to_host_traffic | 31 | 0b | 0b = This decision filter does not apply to traffic received from the host. 1b = This decision filter applies to traffic received from the host. |

1. Default values are read from Flash.

8.22.9 Manageability IP Address Filter - MIPAF (0x58B0 + 4*n [n=0...15]; RW)

| Field | Bit(s) | Initial Value | Description |
|------------|--------|---------------|---|
| IP Address | 31:0 | X | IPv4/IPv6 Address n. Note: These registers are written in Big Endian order (LS byte is first on the wire and is the MS byte of the IPV4 Address). |

The Manageability IP Address Filter register stores IP addresses for manageability filtering. The MIPAF register can be used in two configurations, depending on the value of the *MANC.EN_IPv4_FILTER* bit:

- *EN_IPv4_FILTER* = 0b: the last 128 bits of the register store a single IPv6 address (*IPV6ADDR3*)
- *EN_IPv4_FILTER* = 1b: the last 128 bits of the register store 4 IPv4 addresses (*IPV4ADDR[3:0]*)

MANC.EN_IPv4_FILTER = 0b:



| DWORD# | Address | 31 | 0 |
|--------|---------|-----------|---|
| 0 | 0x58B0 | IPV6ADDR0 | |
| 1 | 0x58B4 | | |
| 2 | 0x58B8 | | |
| 3 | 0x58BC | | |
| 4 | 0x58C0 | IPV6ADDR1 | |
| 5 | 0x58C4 | | |
| 6 | 0x58C8 | | |
| 7 | 0x58CC | | |
| 8 | 0x58D0 | IPV6ADDR2 | |
| 9 | 0x58D4 | | |
| 10 | 0x58D8 | | |
| 11 | 0x58DC | | |
| 12 | 0x58E0 | IPV6ADDR3 | |
| 13 | 0x58E4 | | |
| 14 | 0x58E8 | | |
| 15 | 0x58EC | | |

Field definitions for 0 setting:

| Field | Dword # | Address | Bit(s) | Initial Value | Description |
|-----------|---------|---------|--------|---------------|---|
| IPV6ADDR0 | 0 | 0x58B0 | 31:0 | X* | IPv6 Address 0, bytes 1-4 (LS byte is first on the wire). |
| | 1 | 0x58B4 | 31:0 | X* | IPv6 Address 0, bytes 5-8. |
| | 2 | 0x58B8 | 31:0 | X* | IPv6 Address 0, bytes 9-12. |
| | 3 | 0x58BC | 31:0 | X* | IPv6 Address 0, bytes 13-16. |
| IPV6ADDR1 | 0 | 0x58C0 | 31:0 | X* | IPv6 Address 1, bytes 1-4 (LS byte is first on the wire). |
| | 1 | 0x58C4 | 31:0 | X* | IPv6 Address 1, bytes 5-8. |
| | 2 | 0x58C8 | 31:0 | X* | IPv6 Address 1, bytes 9-12. |
| | 3 | 0x58CC | 31:0 | X* | IPv6 Address 1, bytes 13-16. |
| IPV6ADDR2 | 0 | 0x58D0 | 31:0 | X* | IPv6 Address 2, bytes 1-4 (LS byte is first on the wire). |
| | 1 | 0x58D4 | 31:0 | X* | IPv6 Address 2, bytes 5-8. |
| | 2 | 0x58D8 | 31:0 | X* | IPv6 Address 2, bytes 9-12. |
| | 3 | 0x58DC | 31:0 | X* | IPv6 Address 2, bytes 13-16. |
| IPV6ADDR3 | 0 | 0x58E0 | 31:0 | X* | IPv6 Address 3, bytes 1-4 (LS byte is first on the wire). |
| | 1 | 0x58E4 | 31:0 | X* | IPv6 Address 3, bytes 5-8. |
| | 2 | 0x58E8 | 31:0 | X* | IPv6 Address 3, bytes 9-12. |
| | 3 | 0x58EC | 31:0 | X* | IPv6 Address 3, bytes 13-16. |

MANC.EN_IPv4_FILTER = 1b:



| DWORD# | Address | 31 | 0 |
|--------|---------|-----------|---|
| 0 | 0x58B0 | IPV6ADDR0 | |
| 1 | 0x58B4 | | |
| 2 | 0x58B8 | | |
| 3 | 0x58BC | | |
| 4 | 0x58C0 | IPV6ADDR1 | |
| 5 | 0x58C4 | | |
| 6 | 0x58C8 | | |
| 7 | 0x58CC | | |
| 8 | 0x58D0 | IPV6ADDR2 | |
| 9 | 0x58D4 | | |
| 10 | 0x58D8 | | |
| 11 | 0x58DC | | |
| 12 | 0x58E0 | IPV4ADDR0 | |
| 13 | 0x58E4 | IPV4ADDR1 | |
| 14 | 0x58E8 | IPV4ADDR2 | |
| 15 | 0x58EC | IPV4ADDR3 | |

Field definitions for 1 setting:

| Field | Dword # | Address | Bit(s) | Initial Value ¹ | Description |
|-----------|---------|---------|--------|----------------------------|---|
| IPV6ADDR0 | 0 | 0x58B0 | 31:0 | X | IPv6 Address 0, bytes 1-4 (LS byte is first on the wire). |
| | 1 | 0x58B4 | 31:0 | X | IPv6 Address 0, bytes 5-8. |
| | 2 | 0x58B8 | 31:0 | X | IPv6 Address 0, bytes 9-12. |
| | 3 | 0x58BC | 31:0 | X | IPv6 Address 0, bytes 16-13. |
| IPV6ADDR1 | 0 | 0x58C0 | 31:0 | X | IPv6 Address 1, bytes 1-4 (LS byte is first on the wire). |
| | 1 | 0x58C4 | 31:0 | X | IPv6 Address 1, bytes 5-8. |
| | 2 | 0x58C8 | 31:0 | X | IPv6 Address 1, bytes 9-12. |
| | 3 | 0x58CC | 31:0 | X | IPv6 Address 1, bytes 16-13. |
| IPV6ADDR2 | 0 | 0x58D0 | 31:0 | X | IPv6 Address 2, bytes 1-4 (LS byte is first on the wire). |
| | 1 | 0x58D4 | 31:0 | X | IPv6 Address 2, bytes 5-8. |
| | 2 | 0x58D8 | 31:0 | X | IPv6 Address 2, bytes 9-12. |
| | 3 | 0x58DC | 31:0 | X | IPv6 Address 2, bytes 16-13. |
| IPV4ADDR0 | 0 | 0x58E0 | 31:0 | X | IPv4 Address 0 (LS byte is first on the wire). |
| IPV4ADDR1 | 1 | 0x58E4 | 31:0 | X | IPv4 Address 1 (LS byte is first on the wire). |
| IPV4ADDR2 | 2 | 0x58E8 | 31:0 | X | IPv4 Address 2 (LS byte is first on the wire). |
| IPV4ADDR3 | 3 | 0x58EC | 31:0 | X | IPv4 Address 3 (LS byte is first on the wire). |

1. The initial values for these registers can be loaded from the Flash after power-up reset. The registers are written by the MC and not accessible to the host for writing.



Initial value:

| Field | Bit(s) | Initial Value ¹ | Description |
|-----------------|--------|----------------------------|---|
| IP_ADDR 4 bytes | 31:0 | X | 4 bytes of IP (v6 or v4) address. i mod 4 = 0 to bytes 1 - 4. i mod 4 = 1 to bytes 5 - 8. i mod 4 = 0 to bytes 9 - 12. i mod 4 = 0 to bytes 13 - 16. where i div 4 is the index of IP address (0...3). |

1. The initial values for these registers can be loaded from the Flash after power-up reset. The registers are written by the MC and not accessible to the host for writing.

Reset - The registers are cleared on LAN_PWR_GOOD only.

Note: These registers should be written in network order.

8.22.10 Manageability MAC Address Low - MMAL (0x5910 + 8*n [n=0...3]; RW)

Where „n” is the exact unicast/multicast address entry, equal to 0...3.

| Field | Bit(s) | Initial Value ¹ | Description |
|-------|--------|----------------------------|--|
| MMAL | 31:0 | X | Manageability MAC Address Low. The lower 32 bits of the 48 bit Ethernet address. |

1. The initial values for these registers can be loaded from the Flash after power-up reset. The registers are written by the MC and not accessible to the host for writing.

These registers contain the lower bits of the 48-bit Ethernet address. The MMAL registers are written by the MC and are not accessible to the host for writing. The registers are used to filter manageability packets. See [Section 10.3](#).

Reset - The MMAL registers are cleared on LAN_PWR_GOOD only. The initial values for this register can be loaded from the Flash after power-up reset.

Note: The MMAL.MMAL field should be written in network order.

8.22.11 Manageability MAC Address High - MMAH (0x5914 + 8*n [n=0...3]; RW)

Where “n” is the exact unicast/multicast address entry, equal to 0...3.

| Field | Bit(s) | Initial Value ¹ | Description |
|----------|--------|----------------------------|--|
| MMAH | 15:0 | X | Manageability MAC Address High. The upper 16 bits of the 48 bit Ethernet address. |
| Reserved | 31:16 | 0x0 | Reserved. Write 0x0, ignore on read. |

1. The initial values for these registers can be loaded from the Flash after power-up reset. The registers are written by the MC and not accessible to the host for writing.



These registers contain the upper bits of the 48-bit Ethernet address. The complete address is $\{MMAH, MMAL\}$. The MMAH registers are written by the MC and are not accessible to the host for writing. The registers are used to filter manageability packets. See [Section 10.3](#).

Reset - The MMAL registers are cleared on LAN_PWR_GOOD only. The initial values for this register can be loaded from the Flash after power-up reset or firmware reset.

Note: The $MMAH.MMAH$ field should be written in network order.

8.22.12 Flexible TCO Filter Table registers - FTFT (0x9400 + 4*n [n=0...63]; RW)

The Flexible TCO Filter Table registers (FTFT) contains a 128 byte pattern and a corresponding 128-bit mask array. If enabled, the first 128 bytes of the received packet are compared against the non-masked bytes in the FTFT register.

The 128 byte filter is composed of 32 Dword entries, where each 2 Dwords are accompanied by an 8-bit mask, one bit per filter byte. The bytes in each 2 Dwords are written in network order (for example, byte0 written to bits [7:0], byte1 to bits [15:8] etc.) The mask field is set so that bit0 in the mask masks byte0, bit 1 masks byte 1 etc. A value of 1 in the mask field means that the appropriate byte in the filter should be compared to the appropriate byte in the incoming packet.

Note: The mask field must be 8 bytes aligned even if the length field is not 8 bytes aligned, as the hardware implementation compares 8 bytes at a time so it should get extra masks until the end of the next Qword. Any mask bit that is located after the length should be set to 0 indicating no comparison should be done.

In case the actual length, which is defined by the length field register and the mask bits, is not 8 bytes aligned there might be a case that a packet that is shorter than the actual required length passes the flexible filter. This can occur due to comparison of up to 7 bytes that come after the packet, but are not a real part of the packet.

The last Dword of the filter contains a length field defining the number of bytes from the beginning of the packet compared by this filter. If the actual packet length is less than the length specified by this field, the filter fails. Otherwise, it depends on the result of actual byte comparison. The value should not be greater than 128.

The initial values for the FTFT registers can be loaded from the Flash after power-up reset. The FTFT registers are written by the MC and are not accessible to the host for writing. The registers are used to filter manageability packets as described in [Section 10.3.3.6](#).

Note: The FTFT registers are cleared on LAN_PWR_GOOD and firmware reset only.

| Field | Bit(s) | Initial Value | Description |
|------------|--------|---------------|---|
| Bit Vector | 31:0 | X | The details of the bit vector are described in Table 8-25 . |



Table 8-25. FTFT Filter Description

| | | | | | | | | | |
|-----------|----------|-----------|----------|--------------|----------|-----------|----------|-----------|----------|
| 31 | 0 | 31 | 8 | 7 | 0 | 31 | 0 | 31 | 0 |
| Reserved | | Reserved | | Mask [7:0] | | Dword 1 | | Dword 0 | |
| Reserved | | Reserved | | Mask [15:8] | | Dword 3 | | Dword 2 | |
| Reserved | | Reserved | | Mask [23:16] | | Dword 5 | | Dword 4 | |
| Reserved | | Reserved | | Mask [31:24] | | Dword 7 | | Dword 6 | |

....

| | | | | | | | | | | | |
|-----------|----------|----------|----------|-----------|----------|----------------|----------|-----------|----------|-----------|----------|
| 31 | 8 | 7 | 0 | 31 | 8 | 7 | 0 | 31 | 0 | 31 | 0 |
| Reserved | | Reserved | | Reserved | | Mask [127:120] | | Dword 29 | | Dword 28 | |
| Reserved | | Length | | Reserved | | Mask [127:120] | | Dword 31 | | Dword 30 | |

Field definitions for Filter Table registers:

| Field | Dword | Address | Bit(s) | Initial Value |
|------------------------|-------|---------|--------|---------------|
| Filter 0 Dword0 | 0 | 0x9400 | 31:0 | X |
| Filter 0 Dword1 | 1 | 0x9404 | 31:0 | X |
| Filter 0 Mask[7:0] | 2 | 0x9408 | 7:0 | X |
| Reserved | 3 | 0x940C | | X |
| Filter 0 Dword2 | 4 | 0x9410 | 31:0 | X |
| ... | | | | |
| Filter 0 Dword30 | 60 | 0x94F0 | 31:0 | X |
| Filter 0 Dword31 | 61 | 0x94F4 | 31:0 | X |
| Filter 0 Mask[127:120] | 62 | 0x94F8 | 7:0 | X |
| Length | 63 | 0x94FC | 7:0 | X |

8.23 Host Interface Memory Registers Description

The software device driver communicates with the manageability block through CSR access.

8.23.1 Host Slave Command Interface to Manageability Firmware

This interface is used by the software device driver for several of commands and for delivering various types of data structure in both directions (MNG →Host, Host → MNG).

The address space is separated into two areas:

1. Direct access to the internal ManagementDATA RAM: The internal DATA RAM is mapped to address 0x8800-0x8EFF. Writing to this address space goes directly to the RAM. This section can be limited by the internal firmware. The firmware reports to the host the maximum size allocated in the HIBSMAXOFF register. When this section is used for host interface commands (Section 10.8.2.4) it is usually limited to 512 bytes. When it is used to load firmware in systems (Section 3.4.3), the full 1792 bytes are available.
2. Control registers located at address 0x8F00.



8.23.1.1 Host Slave Command I/F Flow

This interface is used for the external host software to access the MMS sub-system. The host software can write a command block or read data structure directly from the DATA RAM. The host software controls these transactions through a slave access to the control register.

The following flow describes the process of initiating a command to the MMS:

1. The software device driver takes ownership of the *SW_FW_SYNC.SW_MNG_SM* bit according to the flow described in [Section 4.7.1](#).
2. The software device driver reads the HICR register and checks that the enable bit is set.
3. The software device driver writes the relevant command block into the shared RAM area.
4. The software device driver sets the *Command* bit in the control register. Setting this bit causes an interrupt to management.
5. The software device driver polls the Control register until the *Command* bit is cleared by hardware.
6. When the MMS is done with the command, it clears the *Command* bit (if the MMS should reply with a data, it should clear the bit only after the data is in the RAM area where the software device driver can read it).
7. If the software device driver reads the Control register and the *SV* bit is set, it means that there is a valid status of the last command in the RAM. If the *SV* is not set it means that the command has failed with no status in the RAM.

8.23.2 HOST Interface Control Register - HICR (0x8F00; RW)

| Field | Bit(s) | Initial Value | Description |
|-------------------------|--------|---------------|--|
| En (RO) | 0 | 0b | Enable. When set, it indicates that a RAM area is provided for software device driver accesses. This bit is read only for the software device driver. |
| C | 1 | 0b | Command. The software device driver sets this bit when it has finished putting a command block in the management internal DATA RAM. This bit should be cleared by the firmware after the command's processing completes. |
| SV (RO) | 2 | 0b | Status Valid. Indicates that there is a valid status in CSR area that the software device driver can read. 1b = status valid. 0b = status not valid. The value of the bit is valid only when the <i>C</i> bit is cleared. Only the software device driver reads this bit. |
| Reserved | 3 | 0b | Reserved. |
| Reserved | 6:4 | 0x0 | Reserved. |
| FWR | 7 | 0b | Firmware Reset. When set by the host, it indicates that the hardware needs to assert a firmware reset. This bit is meaningful only when in the non-secured mode. |
| Reserved | 8 | 0b | Reserved. |
| Memory Base Enable (RO) | 9 | 0b | Enable host access to memory base register. This bit is set by the firmware and is read only to the software device driver. |
| Reserved | 31:10 | 0x0 | Reserved. Write 0x9, ignore on read. |



8.23.3 Host Interface Buffer Base Address - HIBBA (0x8F40; RW)

Notes:

1. This register is reset by a firmware reset.
2. This register is accessible to the host driver only if *Memory Base Enable* is set in HICR; otherwise, the register is read only to the host driver.

| Field | Bit(s) | Initial Value | Description |
|----------|--------|---------------|---|
| BA | 19:0 | 0x17800 | Host interface buffer base address in the device internal memory space (in bytes). Base address for the CSR slave access. The address must be 1 KB aligned (bits 9:0 are RO hardwired to zero). |
| Reserved | 31:20 | 0x0 | Reserved. Write 0x0, ignore on read. |

8.23.4 Host Interface Buffer Maximum Offset - HIBMAXOFF (0x8F44; RO)

The register holds the maximum offset in bytes in the memory buffer that the host can access from address 0x8800 in its address space. Any access above this value is blocked by hardware.

This register is reset by a firmware reset.

| Field | Bit(s) | Initial Value | Description |
|----------|--------|---------------|---|
| MAXOFF | 9:0 | 0x3FF | Maximum offset in the HIB for the CSR slave access. The 2 LSBs are always set to 11b. |
| Reserved | 31:10 | 0x0 | Reserved. Write 0x0, ignore on read. |

8.24 Memory Error Registers Description

Main internal memories are protected by Error Correcting Code (ECC) or parity bits. The I210 contains several registers that enable and report detection of internal memory errors. Description and usage of these registers can be found in [Section 7.6](#).



8.24.1 Parity and ECC Error Indication- PEIND (0x1084; RC)

| Field | Bit(s) | Initial Value | Description |
|-------------------------------|--------|---------------|---|
| lanport_parity_fatal_ind (LH) | 0 | 0b | Fatal Error detected in LAN port memory. Bit is latched high and cleared on read. |
| mng_parity_fatal_ind (RC) | 1 | 0b | Fatal Error detected in management memory. Bit is latched high and cleared on read. |
| pcie_parity_fatal_ind (RC) | 2 | 0b | Fatal Error detected in PCIe memory. Bit is latched high and cleared on read. |
| dma_parity_fatal_ind (RC) | 3 | 0b | Fatal Error detected in DMA memory. Bit is latched high and cleared on read. |
| Reserved | 31:4 | 0x0 | Reserved. Write 0x0 ignore on read. |

8.24.2 Parity and ECC Indication Mask - PEINDM (0x1088; RW)

| Field | Bit(s) | Initial Value | Description |
|--------------------------|--------|---------------|---|
| lanport_parity_fatal_ind | 0 | 1b | When set and <i>PEIND.lanport_parity_fatal_ind</i> is set, enable interrupt generation by setting the <i>ICR.FER</i> bit. |
| mng_parity_fatal_ind | 1 | 1b | When set and <i>PEIND.mng_parity_fatal_ind</i> is set, enable interrupt generation by setting the <i>ICR.FER</i> bit. |
| pcie_parity_fatal_ind | 2 | 1b | When set and <i>PEIND.pcie_parity_fatal_ind</i> is set, enable interrupt generation by setting the <i>ICR.FER</i> bit. |
| dma_parity_fatal_ind | 3 | 1b | When set and <i>PEIND.dma_parity_fatal_ind</i> is set, enable interrupt generation by setting the <i>ICR.FER</i> bit. |
| Reserved | 31:4 | 0x0 | Reserved. Write 0x0, ignore on read. |



8.24.3 Packet Buffer ECC Status - PBECCSTS (0x245c; R/W)

| Field | Bit(s) | Init. | Description |
|-----------------------|--------|-------|--|
| ecc_en | 0 | 0x1 | ECC Enable. |
| Reserved | 1 | 0x0 | Reserved Write 0, ignore on read. |
| pb_cor_err_sta(R/W1C) | 2 | 0x0 | DBU RAM correctable error indication. Bit is clean by write 1b. |
| Reserved | 31:3 | 0x0 | Reserved. Write 0x0, ignore on read. |

8.24.4 PCIe Parity Control Register - PCIEERRCTL (0x5BA0; RW)

| Field | Bit(s) | Initial Value | Description |
|-----------------|--------|-----------------|---|
| GPEN_EN | 0 | 0b ¹ | Global Parity Enable. When cleared, parity checking of all RAMs is disabled. Note: This bit resets only at LAN_PWR_GOOD. |
| Reserved | 5:1 | 01000b | Reserved. Write 0x0, ignore on read. |
| ERR EN RX CDQ 0 | 6 | 1b | RX CDQ 0 Parity Check Enable |
| Reserved | 7 | 0b | Reserved. |
| ERR EN RX CDQ 1 | 8 | 1b | RX CDQ 1 Parity Check Enable. |
| Reserved | 9 | 0b | Reserved. |
| ERR EN RX CDQ 2 | 10 | 1b | RX CDQ 2 Parity Check Enable. |
| Reserved | 11 | 0b | Reserved. |
| ERR EN RX CDQ 3 | 12 | 1b | RX CDQ 3 Parity Check Enable. |
| Reserved | 31:13 | 0x0 | Reserved. |

1. Bit loaded from Flash.

8.24.5 PCIe Parity Status Register - PCIEERRSTS (0x5BA8; R/W1C)

Register logs uncorrectable parity errors detected in PCIe logic.



| Field | Bit(s) | Initial Value | Description |
|------------------|--------|---------------|--|
| Reserved | 2:0 | 0x0 | Reserved. Write 0x0, ignore on read. |
| PAR ERR RX CDQ 0 | 3 | 0b | Rx CDQ 0 Parity Error. Indicates detection of parity error in RAM if <i>PCIEERRCTL.ERR EN RX CDQ 0</i> is set. When set, stops all PCIe and DMA Rx and Tx activity from the function. To recover from this condition, the software device driver should issue a software reset by asserting <i>CTRL.RST</i> and re-initializing the port (refer to Section 7.6.1.1). Note: <i>PEIND.pcie_parity_fatal_ind</i> and <i>ICR.FER</i> interrupts are asserted if bits are not masked. |
| PAR ERR RX CDQ 1 | 4 | 0b | Rx CDQ 1 Parity Error. Indicates detection of parity error in RAM if <i>PCIEERRCTL.ERR EN RX CDQ 1</i> is set. When set, stops all PCIe and DMA Rx and Tx activity from the function. To recover from this condition, the software device driver should issue a software reset by asserting <i>CTRL.RST</i> and re-initializing the port (refer to Section 7.6.1.1). Note: <i>PEIND.pcie_parity_fatal_ind</i> and <i>ICR.FER</i> interrupts are asserted if bits are not masked. |
| PAR ERR RX CDQ 2 | 5 | 0b | RX CDQ 2 Parity Error. Indicates detection of parity error in RAM if <i>PCIEERRCTL.ERR EN RX CDQ 2</i> is set. When set, stops all PCIe and DMA Rx and Tx activity from the function. To recover from this condition, the software device driver should issue a software reset by asserting <i>CTRL.RST</i> and re-initializing the port (refer to Section 7.6.1.1). Note: <i>PEIND.pcie_parity_fatal_ind</i> and <i>ICR.FER</i> interrupts are asserted if bits are not masked. |
| PAR ERR RX CDQ 3 | 6 | 0b | RX CDQ 3 Parity Error. Indicates detection of parity error in RAM if <i>PCIEERRCTL.ERR EN RX CDQ 3</i> is set. When set, stops all PCIe and DMA Rx and Tx activity from the function. To recover from this condition, the software device driver should issue a software reset by asserting <i>CTRL.RST</i> and re-initializing the port (refer to Section 7.6.1.1). Note: <i>PEIND.pcie_parity_fatal_ind</i> and <i>ICR.FER</i> interrupts are asserted if bits are not masked. |
| Reserved | 31:7 | 0x0 | Reserved. Write 0x0, ignore on read. |

8.24.6 PCIe ECC Control Register - PCIECCCTL (0x5BA4; RW)

| Field | Bit(s) | Initial Value | Description |
|-------------------|--------|---------------|---|
| Reserved | 11:0 | 0x511 | Reserved. |
| ERR EN TX WR DATA | 12 | 1b | Tx Write Request Data ECC Check Enable. |
| Reserved | 13 | 0b | Reserved. |
| ERR EN RETRY BUF | 14 | 1b | Tx Retry Buffer ECC Check Enable. |
| Reserved | 31:15 | 0x0 | Reserved. Write 0x0, Ignore on read. |



8.24.7 PCIe ECC Status Register - PCIEECCSTS (0x5BAC; R/W1C)

| Field | Bit(s) | Initial Value | Description |
|--------------------|--------|---------------|---|
| Reserved | 3:0 | 0 | Reserved |
| ECC ERR TX WR DATA | 4 | 0b | Tx Write Request Data ECC Correctable Error |
| ECC ERR RETRY BUF | 5 | 0b | TX Retry Buffer ECC Correctable Error |
| Reserved | 31:6 | 0x0 | Reserved Write 0, ignore on read |

8.24.8 PCIe ACL0 and ACL1 Register - PCIACL01 (0x5B7C; RO to Host)

Note: Reset by PCIe reset.

| Field | Bit(s) | Initial Value | Description |
|-------|--------|---------------|-----------------------|
| ACL0 | 15:0 | 0 | One of the four ACLs. |
| ACL1 | 31:16 | 0 | One of the four ACLs. |

8.24.9 PCIe ACL2 and ACL3 Register - PCIACL23 (0x5B80; RO to Host)

Note: Reset by PCIe reset.

| Field | Bit(s) | Initial Value | Description |
|-------|--------|---------------|-----------------------|
| ACL2 | 15:0 | 0 | One of the four ACLs. |
| ACL3 | 31:16 | 0 | One of the four ACLs. |

8.24.10 LAN Port Parity Error Control Register - LANPERRCTL (0x5F54; RW)

| Field | Bit(s) | Initial Value | Description |
|-------------|--------|---------------|--|
| Reserved | 8:0 | 0x0 | Reserved. Write 0x0, ignore on read. |
| retx_buf_en | 9 | 1b | Enable retx_buf parity error indication When set to 1b, enables the RETX buffer (re-transmit buffer) parity error detection and indication. |
| Reserved | 31:10 | 0x0 | Reserved. Write 0x0, ignore on read. |



8.24.11 LAN Port Parity Error Status Register - LANPERRSTS (0x5F58; R/W1C)

| Field | Bit(s) | Initial Value | Description |
|----------|--------|---------------|---|
| Reserved | 8:0 | 0x0 | Reserved. Write 0x0, ignore on read. |
| retx_buf | 9 | 0b | retx_buf Parity Error Indication. When set to 1b, indicates detection of parity error in the RETX buffer (re-transmit buffer) RAM if <i>LANPERRCTL.retx_buf_en</i> is set. When set, disables packet transmission. To recover from this condition, the software device driver should issue a software reset by asserting <i>CTRL.RST</i> and re-initializing the port. Note: <i>PEIND.lanport_parity_fatal_ind</i> and <i>ICR.FER</i> interrupts are asserted if bits are not masked. |
| Reserved | 31:10 | 0x0 | Reserved. Write 0x0, ignore on read. |

8.25 Power Management Register Description

The following registers are used to control various power saving features.

8.25.1 DMA Coalescing Control Register - DMACR (0x2508; R/W)

| Field | Bit(s) | Initial Value | Description |
|---------------|--------|---------------|---|
| DMACWT | 13:0 | 0x20 | DMA Coalescing Watchdog Timer. When in DMA coalescing, the value in the <i>DMACR.DMACWT</i> counter sets the upper limit in 32.768 μ s units between receive packet arrival as well as the request to transmit or issue an interrupt cause to move out of DMA coalescing. Note: If the value is 0x0, a condition to move out of DMA coalescing is a result of the watchdog timer expiration being disabled. |
| Reserved | 14 | 0b | Reserved. |
| DC_BMC2OSW_EN | 15 | 1b | DMA Coalescing MC-to-OS Watchdog Enable. When set to 1b, MC-to-OS traffic activate the DMA coalescing watchdog timer (<i>DMACR.DMACWT</i>). Note: If the DMA coalescing watchdog timer is disabled and this bit is set 1b, any MC-to-OS traffic causes a move out of the DMA coalescing state. |
| DMACTHR | 23:16 | 0x0 | DMA Coalescing Receive Threshold. This value defines the DMA coalescing receive threshold in 1 KB units. When the amount of data in the internal receive buffer exceeds the <i>DMACTHR</i> value, DMA coalescing is stopped and PCIe moves to the L0 state. Notes: <ol style="list-style-type: none"> This value should be lower than the <i>FCRTC.RTH_Coal</i> threshold value to avoid generating needless flow control packets when in DMA coalescing operating mode and flow control is enabled. The receive threshold size should be smaller than the internal receive buffer area reported in the <i>RXPBSIZE.RXPbsize</i> field. If the value is 0x0, condition to move out of DMA coalescing as a result of passing DMA coalescing receive threshold is disabled. The value programmed should be greater than maximum packet size. |
| Reserved | 24 | 0b | Reserved. Write 0b, ignore on read. |



| Field | Bit(s) | Initial Value | Description |
|------------------|--------|---------------|--|
| EXIT_DC (SC) | 25 | 0b | Exit DMA Coalescing. Software can initiate a one time move out of the DMA coalescing state by setting this bit to 1b. |
| OBFF_STATUS (RO) | 27:26 | 00b | OBFF Status. This field reflects the OBFF status as decoded by the PCIe: 00b = OBFF_DISABLE, OBFF is disabled. 01b = OBFF_ACTIVE, OBFF active mode - no coalescing done. 10b = OBFF_IDLE, OBFF idle mode - do not transmit anything. 11b = OBFF_OBFF, OBFF mode - transmit data, but no interrupts. |
| Reserved | 29:28 | 11b | Reserved. Write 11b, ignore on read. |
| Reserved | 30 | 0b | Reserved. Write 0b, ignore on read. |
| DMAC_EN | 31 | 0b | DMA Coalescing Enable. 0b = Disable DMA Coalescing. 1b = Enable DMA Coalescing. |

8.25.2 DMA Coalescing Transmit Threshold - DMCTXTH (0x3550;RW)

| Field | Bit(s) | Initial Value | Description |
|----------|--------|---------------|---|
| DMCTTHR | 11:0 | 0xE4 | DMA Coalescing Transmit Threshold. This value defines the DMA coalescing transmit threshold in 64 byte units. When the amount of empty space in the internal transmit buffer exceeds the DMCTTHR value and additional transmit data is available in main memory, DMA coalescing is stopped and PCIe moves to an L0 state. Notes: 1. If this value is 0x0 or smaller than the maximum transmit packet size, as defined in the <i>DTXMPKTSZ.MAX_TPKT_SIZE</i> field, a condition to move out of DMA coalescing due to the passing of the DMA coalescing transmit threshold level is disabled. 2. The transmit threshold size should be smaller than the internal transmit buffer area reported in the <i>TXPBSIZE</i> field. |
| Reserved | 31:12 | 0b | Reserved. Write 0x0, ignore on read. |

8.25.3 DMA Coalescing Management Threshold - DMCMNGTH (0x8F30;RW)

| Field | Bit(s) | Initial Value | Description |
|-------|--------|---------------|-------------|
|-------|--------|---------------|-------------|



| | | | |
|-----------|-------|-------|---|
| Reserved | 3:0 | 0b | Reserved. Write 0x0, ignore on read. |
| DMCMNGTHR | 19:4 | 0x100 | DMA Coalescing Management Threshold. This value defines the DMA coalescing management threshold in 16 byte units. When the amount of empty space in the internal transmit buffer exceeds the DMCMNGTHR value, DMA coalescing is stopped and PCIe moves to an L0 state. Note: If this value is 0x0, a condition to move out of DMA coalescing due to the passing of the DMA coalescing management threshold level is disabled. Under some conditions, there can be a deviation of up to 16-bytes from the value written in this field. |
| Reserved | 31:20 | 0b | Reserved. Write 0x0, ignore on read. |

8.25.4 DMA Coalescing Time to Lx Request - DMCTLX (0x2514;RW)

| Field | Bit(s) | Initial Value | Description |
|-------------|--------|---------------|---|
| Reserved | 11:0 | 0x20 | Reserved. Write 0x20, ignore on read. |
| EN_MNG_IND | 12 | 0b | Enable Management Indications for OBFF Operation. When set, OBFF and DMA coalescing functionality is affected from the management buffer status indications. |
| Reserved | 30:13 | | Reserved. Write 0x0, ignore on read. |
| DCFLUSH_DIS | 31 | 0b | Disable DMA Coalescing Flush. When this bit is set, the flush of pending interrupts and pending descriptor write-back operations before entry into DMA Coalescing (refer to Section 5.9.2.1) is disabled. |

8.25.5 DMA Coalescing Current Rx Count - DMCCNT (0x5DD4;RO)

| Field | Bit(s) | Initial Value | Description |
|--------|--------|---------------|--|
| CCOUNT | 24:0 | 0x0 | DMA Coalescing Receive Traffic Current Count. Represents the count of receive traffic in the current time interval in units of 64-byte segments. Refer to Section 5.9 for additional information. Note: Counter does not wrap around. |
| RSVD | 31:25 | 0x0 | Reserved. Write 0x0, ignore on read. |



8.25.6 Flow Control Receive Threshold Coalescing - FCRTC (0x2170; R/W)

| Field | Bit(s) | Initial Value | Description |
|----------|--------|---------------|--|
| Reserved | 3:0 | 0x0 | Reserved. Write 0x0 ignore on read. |
| RTH_Coal | 17:4 | 0x0 | Flow control receive threshold high watermark value used to generate a XOFF flow control packet when executing DMA coalescing, internal transmit FIFO is empty and transmit flow control is enabled (<i>CTRL.TFCE</i> = 1b). When previous conditions exist, a XOFF packet is sent if the occupied space in the Rx packet buffer is more or equal to this watermark. This field is in 16 bytes granularity. Refer to Section 3.7.5.3 to calculate the <i>FCRTC.RTH_Coal</i> value. Notes: 1. To avoid sending XOFF flow control packets needlessly when executing DMA coalescing and the internal transmit buffer is empty, the value should be higher than the threshold defined in the <i>DMACR.DMACTHR</i> field. Maximum threshold value can be up to <i>FCRTHO.RTH</i> + maximum allowable packet size * 1.25. 2. <i>RTH_Coal</i> threshold value is used as a watermark for sending flow control packets when DMA coalescing is enabled and the internal transmit buffer is empty. 3. The value programmed should be greater than the maximum packet size. |
| Reserved | 31:18 | 0x0 | Reserved Write 0 ignore on read. |

8.25.7 DMA OBFF Control Register - DOBFFCTL (0x3F24;Rw)

| Field | Bit(s) | Initial Value | Description |
|----------|--------|---------------|---|
| OBFFTHR | 7:0 | 0x0 | DMA OBFF Threshold. Defines the low threshold that the Rx buffer needs to pass to initiate a new transaction when in OBFF mode. It is expressed in KB units. |
| IDLTO | 15:8 | 0x20 | Idle Timeout. Defines the amount of idle cycles before starting coalescing entry flow |
| ACTTO | 23:16 | 0x02 | Active Timeout. Defines the amount of non-idle cycles before stopping coalescing entry flow |
| Reserved | 31:24 | 0x0 | Reserved. |

8.25.8 DMA Coalescing Clock Control Time Counter - DMACTC (0x5DC8; RO)

This register keeps track of the number of time units elapsed since the end of last time interval.

| Field | Bit(s) | Initial Value | Description |
|-------|--------|---------------|---|
| COUNT | 9:0 | 0x0 | SC Time Counter. The counter for the number of time units elapsed since the end of the last time interval. |
| RSVD | 31:10 | 0x0 | Reserved. |



8.25.9 Latency Tolerance Reporting (LTR) Minimum Values - LTRMINV (0x5BB0; R/W)

| Field | Bit(s) | Initial Value | Description |
|-------------------|--------|---------------|--|
| LTRV | 9:0 | 0x5 | <p>Latency Tolerance Value.</p> <p>This field indicates the latency tolerance supported when conditions for minimum latency tolerance exist (Refer to Section 5.11.2.1).</p> <p><i>LTRV</i> values are multiplied by 32,768 ns or 1,024 ns depending on the <i>Scale</i> field, to indicate latency tolerance supported in nanoseconds. A value of 0 indicates that the device is impacted by any delay and that best possible service is requested.</p> <p>The I210 reports the same value for both snoop and no snoop requirements. If no memory latency requirement exists for either snoop or no snoop accesses, the appropriate <i>Requirement</i> bit is cleared.</p> <p>Note: Software should subtract time required to move from L1 to L0 from LTR value.</p> |
| Scale | 12:10 | 011b | <p>Latency Scale.</p> <p>This field provides a scale for the value contained within the <i>LTRMINV.LTRV</i> field.</p> <p>Encoding:</p> <p>010b = <i>LTRV</i> value times 1,024 ns.</p> <p>011b = <i>LTRV</i> value times 32,768 ns.</p> <p>Others = Reserved.</p> |
| Reserved | 14:13 | 0x0 | <p>Reserved.</p> <p>Write 0x0, ignore on read.</p> |
| LSNP Requirement | 15 | 0b | <p>LTR Snoop Requirement.</p> <p>0b = No latency requirements in snoop memory access.</p> <p>1b = Latency tolerance in snoop memory access specified in <i>LTRMINV.LTRV</i> field.</p> |
| Reserved | 30:16 | 0x0 | <p>Reserved.</p> <p>Write 0x0, ignore on read.</p> |
| LNSNP Requirement | 31 | 0b | <p>LTR Non-snoop Requirement.</p> <p>0b = No latency requirements in non-snoop memory access.</p> <p>1b = Latency tolerance in non-snoop memory access specified in <i>LTRMINV.LTRV</i> field.</p> |



8.25.10 Latency Tolerance Reporting (LTR) Maximum Values - LTRMAXV (0x5BB4; R/W)

| Field | Bit(s) | Initial Value | Description |
|-------------------|--------|---------------|---|
| LTRV | 9:0 | 0x5 | <p>Latency Tolerance Value.</p> <p>This field indicates the latency tolerance supported when conditions for maximum latency tolerance exist (Refer to Section 5.11.2.2).</p> <p><i>LTRV</i> values are multiplied by 32,768 ns or 1,024 ns depending on the <i>Scale</i> field to indicate latency tolerance supported in nanoseconds. A value of 0 indicates that the device is impacted by any delay and that the best possible service is requested.</p> <p>The I210 reports the same value for both snoop and no snoop requirements. If no memory latency requirement exists for either snoop or no snoop, accesses the appropriate <i>Requirement</i> bit is cleared.</p> <p>Note: Software should subtract the time required to move from L1 to L0 from LTR value.</p> |
| Scale | 12:10 | 011b | <p>Latency Scale.</p> <p>This field provides a scale for the value contained within the <i>LTRMAXV.LTRV</i> field.</p> <p>Encoding:</p> <p>010b = <i>LTRV</i> value times 1,024 ns.</p> <p>011b = <i>LTRV</i> value times 32,768 ns.</p> <p>Others = Reserved.</p> |
| Reserved | 14:13 | 0x0 | <p>Reserved.</p> <p>Write 0x0, ignore on read.</p> |
| LSNP Requirement | 15 | 0b | <p>LTR Snoop requirement</p> <p>0b = No latency requirements in snoop memory access.</p> <p>1b = Latency tolerance in snoop memory access specified in <i>LTRMAXV.LTRV</i> field.</p> |
| Reserved | 30:16 | 0x0 | <p>Reserved.</p> <p>Write 0x0, ignore on read.</p> |
| LNSNP Requirement | 31 | 0b | <p>LTR Non-snoop Requirement.</p> <p>0b = No latency requirements in non-snoop memory access.</p> <p>1b = Latency tolerance in non-snoop memory access specified in <i>LTRMAXV.LTRV</i> field.</p> |



8.25.11 Latency Tolerance Reporting (LTR) Control - LTRC (0x01A0; R/W)

| Field | Bit(s) | Initial Value | Description |
|-----------|--------|---------------|---|
| Reserved | 0 | 0b | Reserved. Write 0b, ignore on read. |
| LTR_MIN | 1 | 0b | LTR Send Minimum Values. When set to 1b, the I210 sends a PCIe LTR message with the LTR snoop value, LTR no-snoop value and LTR requirement bits as defined in the LTRMINV register. Notes: <ol style="list-style-type: none"> To resend a LTR message with the minimum value defined in the LTRMINV register, this bit should be cleared and set again. LTR_MIN and LTR_MAX bits are exclusive. A new PCIe LTR message is sent only if the last PCIe LTR message sent had a latency tolerance value different then the value specified in the LTRMINV register. |
| LTR_MAX | 2 | 0b | LTR Send Maximum Values. When set to 1b, the I210 sends a PCIe LTR message with the LTR snoop value, LTR no-snoop value and LTR requirement bits as defined in the LTRMAXV register. Notes: <ol style="list-style-type: none"> To resend a LTR message with the maximum value defined in the LTRMAXV register, this bit should be cleared and set again. LTR_MIN and LTR_MAX bits are exclusive. A new PCIe LTR message is sent only if the last PCIe LTR message sent had a latency tolerance value different then the value specified in the LTRMAXV register. |
| PDLS_EN | 3 | 1b | Port Disable LTR Send Enable. 0b = Do not issue a PCIe LTR message with requirement bits cleared on port disable (Rx and Tx disabled). 1b = Issue a PCIe LTR message with requirement bits cleared on port disable (Rx and Tx disabled). |
| LNKDLS_EN | 4 | 1b | Link Disconnect LTR Send Enable. 0b = Do not issue a PCIe LTR message with requirement bits cleared on link disconnect. 1b = Issue a PCIe LTR message with requirement bits cleared on link disconnect. |
| EEEMS_EN | 5 | 0b | EEE LPI LTR Max Send Enable. When this bit is set and link is in a Rx EEE LPI (Low Power Idle) state, the I210 sends a PCIe LTR message with the LTR snoop value, LTR no-snoop value and LTR requirement bits as defined in the LTRMAXV register. 0b = Do not issue a PCIe LTR messages with the LTRMAXV value as a result of Rx link entering EEE LPI state. 1b=Issue PCIe LTR messages with a LTRMAXV value as a result of Rx link entering EEE LPI state. Note: This bit is reset to 0b by hardware following link disconnect to enable software to re-negotiate Tw_system time and update the LTRMAXV value. |
| Reserved | 31:6 | 0x0 | Reserved. Write 0x0, ignore on read. |



8.25.12 Energy Efficient Ethernet (EEE) Register - EEER (0x0E30; R/W)

| Field | Bit(s) | Initial Value | Description |
|------------|--------|-----------------|---|
| Tw_system | 15:0 | 0x0 | <p>Time expressed in microseconds that no data is transmitted following a move from the EEE TX LPI link state to a link active state. This field holds the transmit Tw_sys_tx value negotiated during EEE LLDP negotiation.</p> <p>Notes:</p> <ol style="list-style-type: none"> If this value is lower than the minimum Tw_sys_tx value defined in IEEE802.3az clause 78.5 (30 μs for 100BASE-TX and 16.5 μs for 1000BASE-T) then the interval where no data is transmitted following a move out of the EEE TX LPI state defaults to a minimum Tw_sys_tx . Following a link disconnect or auto-negotiation the value of this field returns to its default value until software re-negotiates a new tw_sys_tx value via EEE LLDP. <p>Note: When transmitting flow control frames, the I210 waits the minimum time defined in the IEEE802.3az standard before transmitting a flow control packet. The I210 does not wait the Tw_system time following an exit of LPI before transmitting a flow control frame.</p> |
| TX_LPI_EN | 16 | 0b ¹ | <p>Enable Entry into EEE LPI on Tx Path. 0b = Disable entry into EEE LPI on Tx path. 1b = Enable entry into EEE LPI on Tx path. Refer to Section 3.7.7.1 for additional information on EEE Tx LPI entry.</p> <p>Notes:</p> <ol style="list-style-type: none"> Even when TX_LPI_EN is set to 1b, the I210 will not enable entry into the Tx LPI state for at least 1 second following the change of link_status to OK as defined in IEEE802.3az clause 78.1.2.1. Even if the TX_LPI_EN bit is set, the I210 initiates entry into the Tx EEE LPI link state only if EEE support at the link speed was negotiated during auto-negotiation. |
| RX_LPI_EN | 17 | 1b | <p>Enable Entry into EEE LPI on Rx Path 0b = Disable entry into EEE LPI on Rx path. 1b = Enable entry into EEE LPI on Rx path.</p> <p>Notes:</p> <ol style="list-style-type: none"> Even if the RX_LPI_EN bit is set, the I210 recognizes entry into Rx EEE LPI link state only if EEE support at the link speed was negotiated during auto-negotiation. When set and link moves into Rx LPI, a LTR message with the value defined in the LTRMAXV register is sent on the PCIe, if LTRC.EEEMS_EN is set. |
| LPI_FC | 18 | 1b | <p>Enable EEE Tx LPI Entry on Flow Control. Enable EEE Tx LPI state entry when the link partner sent a PAUSE flow control frame, even if the internal transmit buffer is not empty, transmit descriptors are available or management traffic is pending.</p> <p>Notes:</p> <ol style="list-style-type: none"> The I210 enters the Tx LPI state when no data is transmitted and not in mid-packet. Entry into Tx LPI on flow control is enabled only if either EEER.TX_LPI_EN is set to 1b or EEER.Force_TLPI is set to 1b. Receiving XON frame causes a move out of LPI if a transmit is pending. |
| Force_TLPI | 19 | 0b | <p>Force Tx LPI. When set, the PHY is forced into the EEE Tx LPI state if there is no Tx management traffic.</p> <p>Notes:</p> <ol style="list-style-type: none"> The I210 enters the Tx LPI state when no data is transmitted and not in mid-packet. When set, the I210 enters Tx LPI even if EEER.TX_LPI_EN is set to 0b. |
| Reserved | 27:20 | 0x0 | <p>Reserved. Write 0x0, ignore on read.</p> |



| Field | Bit(s) | Initial Value | Description |
|--------------------|--------|---------------|--|
| EEE_FRC_AN | 28 | 0b | Force EEE Auto-negotiation. When this bit is set to 1b, it enables EEE operation in the internal MAC logic even if the link partner does not support EEE. Should be set to 1b to enable testing of EEE operation via MAC loopback (refer to y). |
| EEE NEG (RO) | 29 | X | EEE Support Negotiated on Link. 0b = EEE operation not supported on link. 1b = EEE operation supported on link. Note: Status reported by this bit shall be ignored when the port is operated in half duplex mode. |
| RX LPI Status (RO) | 30 | X | Rx Link in LPI State. 0b = Rx in active state. 1b = Rx in LPI state. |
| TX LPI Status (RO) | 31 | X | Tx Link in LPI State. 0b = Tx in active state. 1b = Tx in LPI state. |

1. Loaded from Flash.

8.26 Diagnostic Registers Description

8.26.1 PCIe Misc. Register - PCIEMISC (0x5BB8; RW)

Note: Reset by PCIe power good reset.

| Field | Bit(s) | Initial Value | Description |
|---------------------|--------|-----------------|---|
| Reserved | 8:0 | 0x8A | Reserved Ignore on read, write 0x8A. |
| DMA Idle Indication | 9 | 0b ¹ | Indication For DMA Idle This bit indicates when DMA is considered idle (either when the DMA is idle or when PCIe Link is idle). 0b = DMA is considered idle when there is no Rx or Tx. 1b = DMA is considered idle when there is no Rx or Tx AND when there are no TLPs indicating that CPU is active detected on the PCIe link (such as the host executes CSR or Configuration register read or write operation). Note: The bit must be set to 1b each time programming the Flash via CSR accesses. |
| Reserved | 31:10 | 0x122 | Reserved Ignore on read, write 122. |

1. Value loaded from Flash.
Pulses shorter than the filter width are ignored.

8.27 PHY Software Interface

8.27.1 Internal PHY Configuration - IPCNFG (0x0E38, RW)

The IPCNFG register controls PHY configuration.



Note:

| Field | Bit(s) | Initial Value | Description |
|----------------------------|--------|-----------------|--|
| Enable Automatic Crossover | 0 | 1b ¹ | When set, the device automatically determines whether or not it needs to cross over between pairs so that an external cross-over cable is not required. |
| 10BASE-TE | 1 | 0b ² | Enable Low Amplitude 10BASE-T Operation. Setting this bit enables the I210 to operate in IEEE802.3az 10BASE-Te low power operation. 0b = 10BASE-Te operation disabled. 1b = 10BASE-Te operation enabled. Note: When operating in 10BASE-T mode and with this bitset, supported cable length is reduced. |
| EEE_100M_AN | 2 | 1b ² | Report EEE 100 Mb/s Capability in Auto-negotiation 0b = Do not report EEE 100 Mb/s capability in auto-negotiation. 1b = Report EEE 100 Mb/s capability in auto-negotiation. Note: Changing value of bit causes link drop and re-negotiation. |
| EEE_1G_AN | 3 | 1b ² | Report EEE 1 GbE Capability in Auto-negotiation. 0b = Do not report EEE 1 GbE capability in auto-negotiation. 1b = Report EEE 1 GbE capability in auto-negotiation. Note: Changing the value of this bit causes link drop and re-negotiation. |
| Reserved | 31:4 | 0x0 | Reserved. Write 0x0, ignore on read. |

1. Bit Loaded from bit 9 in the Initialization Control 3 Flash word at power up.
2. Loaded from Flash.

8.27.2 PHY Power Management - PHPM (0x0E14, RW)

The PHPM register controls internal PHY power management operation.

| Field | Bit(s) | Initial Value | Description |
|-----------------------------|--------|---------------|--|
| SPD_EN | 0 | 1b | Smart Power Down. When set, enables PHY Smart Power Down mode. This bit is loaded from the <i>SPD Enable</i> bit in the Initialization Control 4 Flash word on reset. |
| D0LPLU | 1 | 0b | D0 Low Power Link Up (LPLU). When set, configures the PHY to negotiate for a low speed link in all states. |
| LPLU | 2 | 1b | Low Power on Link Up. When set, enables the decrease in link speed while in non-D0a states when the power policy and power management state specify it. This bit is loaded from the <i>LPLU</i> bit in the Initialization Control 4 Flash word on reset. |
| Disable 1000 in non-D0a | 3 | 1b | Disables 1000 Mb/s operation in non-D0a states. This bit is loaded from the <i>Disable 1000 in non-D0a</i> bit in the Software Defined Pins Control Flash word on reset. |
| Link Energy Detect (RO, LH) | 4 | 0b | This bit is set when the PHY detects energy on the link. Note that this bit is valid only if the <i>PHPM.Go Link disconnect</i> bit is set to 0b. When <i>PHPM.Go Link disconnect</i> = 1b, <i>PHPM.link_energy_detect</i> is fixed at 1b at all the link states. |
| Go Link disconnect | 5 | 0b | Setting this bit causes the PHY to enter link disconnect mode immediately. |



| Field | Bit(s) | Initial Value | Description |
|------------------------|--------|---------------|---|
| Disable 1000 | 6 | 0b | When set, disables 1000 Mb/s in all power modes. This bit is loaded from the <i>Giga Disable</i> bit in the Software Defined Pins Control Flash word on reset. |
| SPD_B2B_EN | 7 | 1b | SPD Back-to-Back Enable. |
| rst_compl (RO, LH) | 8 | 0b | Indicates PHY internal reset cleared. |
| Disable 100 in non-D0a | 9 | 0b | Disables 100 Mb/s and 1000 Mb/s operation in non-D0a states. This bit is loaded from the <i>Disable 100 in non-D0a</i> bit in the Software Defined Pins Control Flash word on reset. |
| Reserved | 31:10 | 0x0 | Reserved. Write 0x0, ignore on read. |

8.27.3 Internal PHY Software Interface (PHYREG)

1. Base registers (page 0, registers 0 through 10 and 15) are defined in accordance with the Reconciliation Sub layer and Media Independent Interface and Physical Layer Link Signaling for 10/ 100/ 1000 Mb/s Auto-Negotiation sections of the IEEE 802.3 specification.
2. Additional registers are defined in accordance with the IEEE 802.3 specification for adding unique chip functions.
3. Registers in the following table are accessed using the internal MDIO interface via the MDIC register (Refer to [Section 8.2.4](#)).

| Register Name | Register Address | Section and Page |
|--|-----------------------|--|
| Copper Control Register | Page 0, Register 0 | section 8.27.3.1 on page 544. |
| Copper Status Register | Page 0, Register 1 | section 8.27.3.2 on page 546. |
| PHY Identifier 1 | Page 0, Register 2 | section 8.27.3.3 on page 547. |
| PHY Identifier 2 | Page 0, Register 3 | section 8.27.3.4 on page 547. |
| Copper Auto-Negotiation Advertisement Register | Page 0, Register 4 | section 8.27.3.5 on page 547. |
| Copper Link Partner Ability Register - Base Page | Page 0, Register 5 | section 8.27.3.6 on page 549. |
| Copper Auto-Negotiation Expansion Register | Page 0, Register 6 | section 8.27.3.7 on page 550. |
| Copper Next Page Transmit Register | Page 0, Register 7 | section 8.27.3.8 on page 551. |
| Copper Link Partner Next Page Register | Page 0, Register 8 | section 8.27.3.9 on page 551. |
| 1000BASE-T Control Register | Page 0, Register 9 | section 8.27.3.10 on page 552. |
| 1000BASE-T Status Register | Page 0, Register 10 | section 8.27.3.11 on page 553. |
| MMD Access Control Register | Page 0, Register 13 | section 8.27.3.12 on page 554. |
| MMD Access Address/Data Register | Page 0, Register 14 | section 8.27.3.13 on page 554. |
| Extended Status Register | Page 0, Register 15 | section 8.27.3.14 on page 554. |
| Copper Specific Control Register 1 | Page 0, Register 16 | section 8.27.3.15 on page 554. |
| Copper Specific Status Register 1 | Page 0, Register 17 | section 8.27.3.16 on page 556. |
| Copper Specific Interrupt Enable Register | Page 0, Register 18 | section 8.27.3.17 on page 557. |
| Copper Interrupt Status Register | Page 0, Register 19 | section 8.27.3.18 on page 558. |
| Copper Specific Control Register 2 | Page 0, Register 20 | section 8.27.3.19 on page 559. |
| Copper Specific Receive Error Counter Register | Page 0, Register 21 | section 8.27.3.20 on page 559. |
| Page Address | Page Any, Register 22 | section 8.27.3.21 on page 559. |
| Copper Specific Control Register 3 | Page 0, Register 23 | section 8.27.3.22 on page 560. |



| | | |
|--|---------------------|--|
| MAC Specific Control Register 1 | Page 2, Register 16 | section 8.27.3.23 on page 561. |
| MAC Specific Interrupt Enable Register | Page 2, Register 18 | section 8.27.3.24 on page 561. |
| MAC Specific Status Register | Page 2, Register 19 | section 8.27.3.25 on page 562. |
| Copper RX_ER Byte Capture | Page 2, Register 20 | section 8.27.3.26 on page 562. |
| MAC Specific Control Register 2 | Page 2, Register 21 | section 8.27.3.27 on page 563. |
| jt_led_s[3:0] Function Control Register | Page 3, Register 16 | section 8.27.3.28 on page 564. |
| jt_led_s[3:0] Polarity Control Register | Page 3, Register 17 | section 8.27.3.29 on page 566. |
| LED Timer Control Register | Page 3, Register 18 | section 8.27.3.30 on page 566. |
| jt_led_s[5:4] Function Control and Polarity Register | Page 3, Register 19 | section 8.27.3.31 on page 567. |
| 1000BASE-T Pair Skew Register | Page 5, Register 20 | section 8.27.3.32 on page 568. |
| 1000BASE-T Pair Swap and Polarity | Page 5, Register 21 | section 8.27.3.33 on page 569. |
| Copper Port Packet Generation | Page 6, Register 16 | section 8.27.3.34 on page 569. |
| Copper Port CRC Counters | Page 6, Register 17 | section 8.27.3.35 on page 570. |
| Checker Control | Page 6, Register 18 | section 8.27.3.36 on page 570. |
| Misc Test | Page 6, Register 26 | section 8.27.3.37 on page 570. |

8.27.3.1 Copper Control Register - Page 0, Register 0

| Bits | Field | Mode | HW Rst | SW Rst | Description |
|------|--------------------|---------|--------|--------|---|
| 15 | Copper Reset | R/W, SC | 0x0 | SC | Copper Software Reset. Affects pages 0, 2, 3, 5, and 7. Writing a 1b to this bit causes the PHY state machines to be reset. When the reset operation completes, this bit is cleared to 0b automatically. The reset occurs immediately. 1b = PHY reset. 0b = Normal operation. |
| 14 | Loopback | R/W | 0x0 | 0x0 | When loopback is activated, the transmitter data presented on TXD is looped back to RXD internally. Link is broken when loopback is enabled. Loopback speed is determined by Registers 21_2.2:0. 1b = Enable loopback. 0b = Disable loopback. |
| 13 | Speed Select (LSB) | R/W | 0x0 | Update | Changes to this bit are disruptive to the normal operation. As a result, any changes to these registers must be followed by a software reset to take effect. A write to this register bit does not take effect until any one of the following also occurs: <ul style="list-style-type: none"> • Software reset is asserted (register 0_0.15). • Restart auto-negotiation is asserted (register 0_0.9). • Power down (register 0_0.11, 16_0.2) transitions from power down to normal operation. Bits 6 and 13: 11b = Reserved. 10b = 1000 Mb/s. 01b = 100 Mb/s. 00b = 10 Mb/s. |



| | | | | | |
|----|---------------------------------|---------|-----|--------|---|
| 12 | Auto-Negotiation Enable | R/W | 0x1 | Update | <p>Changes to this bit are disruptive to the normal operation. A write to this register bit does not take effect until any one of the following occurs:</p> <ul style="list-style-type: none"> • Software reset is asserted (register 0_0.15). • Restart auto-negotiation is asserted (register 0_0.9). • Power down (register 0_0.11, 16_0.2) transitions from power down to normal operation. <p>If register 0_0.12 is set to 0b and speed is manually forced to 1000 Mb/s in registers 0.13 and 0.6, then auto-negotiation is still enabled and only 1000BASE-T full-duplex is advertised if register 0_0.8 is set to 1b, and 1000BASE-T half-duplex is advertised if 0.8 is set to 0.</p> <p>Registers 4.8:5 and 9.9:8 are ignored. Auto-negotiation is mandatory per IEEE for proper operation in 1000BASE-T.</p> <p>1b = Enable auto-negotiation process. 0b = Disable auto-negotiation process.</p> |
| 11 | Power Down | R/W | | Retain | <p>Power down is controlled via register 0_0.11 and 16_0.2. Both bits must be set to 0b before the PHY transitions from power down to normal operation.</p> <p>When the port is switched from power down to normal operation, software reset and restart auto-negotiation are performed even when bits <i>Reset</i> (0_0.15) and <i>Restart Auto-Negotiation</i> (0_0.9) are not set by the user.</p> <p>1b = Power down. 0b = Normal operation.</p> |
| 10 | Isolate | RO | 0x0 | 0x0 | This bit has no effect. |
| 9 | Restart Copper Auto-Negotiation | R/W, SC | 0x0 | SC | <p>Auto-negotiation automatically restarts after hardware or software reset regardless of whether or not the restart bit (0.9) is set.</p> <p>1b = Restart auto-negotiation process. 0b = Normal operation.</p> |
| 8 | Copper Duplex Mode | R/W | 0x1 | Update | <p>Changes to this bit are disruptive to the normal operation. As a result, any changes to these registers must be followed by a software reset to take effect.</p> <p>A write to this register bit does not take effect until any one of the following also occurs:</p> <ul style="list-style-type: none"> • Software reset is asserted (Register 0_0.15). • Restart Auto-Negotiation is asserted (Register 0_0.9). • Power down (Register 0_0.11, 16_0.2) transitions from power down to normal operation. <p>1 = Full duplex. 0 = Half duplex.</p> |



| | | | | | |
|-----|-----------------------|-----|------------|------------|--|
| 7 | Collision Test | RO | 0x0 | 0x0 | This bit has no effect. |
| 6 | Speed Selection (MSB) | R/W | 0x1 | Update | <p>Changes to this bit are disruptive to the normal operation; As a result, any changes to these registers must be followed by a software reset to take effect.</p> <p>A write to this register bit does not take effect until any one of the following occurs:</p> <ul style="list-style-type: none"> • Software reset is asserted (Register 0_0.15). • Restart Auto-Negotiation is asserted (Register 0_0.9). • Power down (Register 0_0.11, 16_0.2) transitions from power down to normal operation. <p>Bits 6 and 13: 11b = Reserved. 10b = 1000 Mb/s. 01b = 100 Mb/s. 00b = 10 Mb/s.</p> |
| 5:0 | Reserved | RO | Always 0x0 | Always 0x0 | Reserved. |

8.27.3.2 Copper Status Register - Page 0, Register 1

| Bits | Field | Mode | HW Rst | SW Rst | Description |
|------|----------------------------------|-------|-----------|-----------|--|
| 15 | 100BASE-T4 | RO | Always 0b | Always 0b | 100BASE-T4. This protocol is not available. 0 = PHY not able to perform 100BASE-T4. |
| 14 | 100BASE-X Full-Duplex | RO | Always 1b | Always 1b | 1b = PHY able to perform full-duplex 100BASE-X. |
| 13 | 100BASE-X Half-Duplex | RO | Always 1b | Always 1b | 1b = PHY able to perform half-duplex 100BASE-X. |
| 12 | 10 Mb/s Full-Duplex | RO | Always 1b | Always 1b | 1b = PHY able to perform full-duplex 10BASE-T. |
| 11 | 10 Mb/s Half-Duplex | RO | Always 1b | Always 1b | 1b = PHY able to perform half-duplex 10BASE-T. |
| 10 | 100BASE-T2 Full-Duplex | RO | Always 0b | Always 0b | This protocol is not available. 0b = PHY not able to perform full-duplex. |
| 9 | 100BASE-T2 Half-Duplex | RO | Always 0b | Always 0b | This protocol is not available. 0b = PHY not able to perform half-duplex. |
| 8 | Extended Status | RO | Always 1b | Always 1b | 1b = Extended status information in register 15. |
| 7 | Reserved | RO | Always 0b | Always 0b | Reserved. |
| 6 | MF Preamble Suppression | RO | Always 1b | Always 1b | 1b = PHY accepts management frames with preamble suppressed. |
| 5 | Copper Auto-Negotiation Complete | RO | 0x0 | 0x0 | 1b = Auto-negotiation process complete. 0b = Auto-negotiation process not complete. |
| 4 | Copper Remote Fault | RO,LH | 0x0 | 0x0 | 1b = Remote fault condition detected. 0b = Remote fault condition not detected. |
| 3 | Auto-Negotiation Ability | RO | Always 1b | Always 1b | 1b = PHY able to perform Auto-Negotiation. |



| | | | | | |
|---|---------------------|-------|-----------|-----------|--|
| 2 | Copper Link Status | RO,LL | 0x0 | 0x0 | This register bit indicates when link was lost since the last read. For the current link status, either read this register back-to-back or read register 17_0.10 Link Real Time. 1b = Link is up. 0b = Link is down. |
| 1 | Jabber Detect | RO,LH | 0x0 | 0x0 | 1b = Jabber condition detected. 0b = Jabber condition not detected. |
| 0 | Extended Capability | RO | Always 1b | Always 1b | 1b = Extended register capabilities. |

8.27.3.3 PHY Identifier 1 - Page 0, Register 2

| Bits | Field | Mode | HW Rst | SW Rst | Description |
|------|---|------|--------|--------|-------------|
| 15:0 | Organizationally Unique Identifier Bit 3:18 | RO | 0x0141 | 0x0141 | |

8.27.3.4 PHY Identifier 2 - Page 0, Register 3

| Bits | Field | Mode | HW Rst | SW Rst | Description |
|-------|-----------------|------|----------------|----------------|--|
| 15:10 | OUI LSB | RO | Always 000011b | Always 000011b | Organizationally Unique Identifier bits 19:24 00 0011. ^.....^ bit 19...bit24. |
| 9:4 | Model Number | RO | | | |
| 3:0 | Revision Number | RO | | | |

8.27.3.5 Copper Auto-Negotiation Advertisement Register - Page 0, Register 4

| Bits | Field | Mode | HW Rst | SW Rst | Description |
|------|-----------|------|-----------|-----------|---|
| 15 | Next Page | R/W | 0x0 | Update | A write to this register bit does not take effect until any one of the following occurs: Software reset is asserted (register 0_0.15). Restart auto-negotiation is asserted (register 0_0.9). Power down (register 0_0.11, 16_0.2); transitions from power down to normal operation and the copper link goes down. If 1000BASE-T is advertised then the required next pages are automatically transmitted. Register 4.15 should be set to 0b if no additional next pages are needed. 1b = Advertise. 0b = Not advertised. |
| 14 | Ack | RO | Always 0b | Always 0b | Must be 0b. |



| | | | | | |
|----|------------------------|-----|-----|--------|--|
| 13 | Remote Fault | R/W | 0x0 | Update | <p>A write to this register bit does not take effect until any one of the following occurs:</p> <ul style="list-style-type: none"> • Software reset is asserted (register 0_0.15). • Restart Auto-Negotiation is asserted (register 0_0.9). • Power down (register 0_0.11, 16_0.2); transitions from power down to normal operation and the copper link goes down. <p>1b = Set remote fault bit. 0b = Do not set remote fault bit.</p> |
| 12 | Reserved | R/W | 0x0 | Update | Reserved. |
| 11 | Asymmetric Pause | R/W | | Update | <p>A write to this register bit does not take effect until any one of the following occurs:</p> <ul style="list-style-type: none"> • Software reset is asserted (register 0_0.15). • Restart auto-negotiation is asserted (register 0_0.9). • Power down (register 0_0.11, 16_0.2); transitions from power down to normal operation and the copper link goes down. <p>1b = Asymmetric pause. 0b = No asymmetric pause.</p> |
| 10 | Pause | R/W | | Update | <p>A write to this register bit does not take effect until any one of the following occurs:</p> <ul style="list-style-type: none"> • Software reset is asserted (register 0_0.15). • Restart auto-negotiation is asserted (register 0_0.9). • Power down (register 0_0.11, 16_0.2); transitions from power down to normal operation and the copper link goes down. <p>1b = Pause. 0b = No pause.</p> |
| 9 | 100BASE-T4 | R/W | 0x0 | Retain | 0b = Not capable of 100BASE-T4. |
| 8 | 100BASE-TX Full-Duplex | R/W | | Update | <p>A write to this register bit does not take effect until any one of the following occurs:</p> <ul style="list-style-type: none"> • Software reset is asserted (register 0_0.15). • Restart auto-negotiation is asserted (register 0_0.9). • Power down (register 0_0.11 and 16_0.2); transitions from power down to normal operation and the copper link goes down. <p>If register 0_0.12 is set to 0b and speed is manually forced to 1000 Mb/s in registers 0_0.13 and 0_0.6, then auto-negotiation will still be enabled and only 1000BASE-T full-duplex is advertised if register 0_0.8 is set to 1b, and 1000BASE-T half-duplex is advertised if 0_0.8 set to 0b.</p> <p>Registers 4_0.8:5 and 9_0.9:8 are ignored. Auto-negotiation is mandatory per IEEE for proper operation in 1000BASE-T.</p> <p>1b = Advertise. 0b = Not advertised.</p> |
| 7 | 100BASE-TX Half-Duplex | R/W | | Update | <p>A write to this register bit does not take effect until any one of the following occurs:</p> <ul style="list-style-type: none"> • Software reset is asserted (register 0_0.15). • Restart auto-negotiation is asserted (register 0_0.9). • Power down (register 0_0.11, 16_0.2); transitions from power down to normal operation and the copper link goes down. <p>If register 0_0.12 is set to 0b and speed is manually forced to 1000 Mb/s in registers 0.13 and 0.6, then auto-negotiation will still be enabled and only 1000BASE-T full-duplex is advertised if register 0_0.8 is set to 1b, and 1000BASE-T half-duplex is advertised if 0.8 set to 0b.</p> <p>Registers 4.8:5 and 9.9:8 are ignored.</p> <p>Auto-negotiation is mandatory per IEEE for proper operation in 1000BASE-T. 1b = Advertise. 0b = Not advertised.</p> |



| | | | | | |
|-----|-----------------------|-----|------|--------|---|
| 6 | 10BASE-TX Full-Duplex | R/W | | Update | <p>A write to this register bit does not take effect until any one of the following occurs:</p> <ul style="list-style-type: none"> • Software reset is asserted (register 0_0.15). • Restart auto-negotiation is asserted (register 0_0.9). • Power down (register 0_0.11, 16_0.2); transitions from power down to normal operation and the copper link goes down. <p>If register 0_0.12 is set to 0b and speed is manually forced to 1000 Mb/s in registers 0_0.13 and 0_0.6, then auto-negotiation will still be enabled and only 1000BASE-T full-duplex is advertised if register 0_0.8 is set to 1b, and 1000BASE-T half-duplex is advertised if 0_0.8 set to 0b.</p> <p>Registers 4_0.8:5 and 9_0.9:8 are ignored.</p> <p>Auto-negotiation is mandatory per IEEE for proper operation in 1000BASE-T. 1b = Advertise. 0b = Not advertised.</p> |
| 5 | 10BASE-TX Half-Duplex | R/W | | Update | <p>A write to this register bit does not take effect until any one of the following occurs:</p> <ul style="list-style-type: none"> • Software reset is asserted (register 0_0.15). • Restart auto-negotiation is asserted (register 0_0.9). • Power down (register 0_0.11, 16_0.2); transitions from power down to normal operation and the copper link goes down. <p>If register 0_0.12 is set to 0b and speed is manually forced to 1000 Mb/s in registers 0_0.13 and 0_0.6, then auto-negotiation will still be enabled and only 1000BASE-T full-duplex is advertised if register 0_0.8 is set to 1b, and 1000BASE-T half-duplex is advertised if 0_0.8 set to 0b.</p> <p>Registers 4_0.8:5 and 9_0.9:8 are ignored.</p> <p>Auto-negotiation is mandatory per IEEE for proper operation in 1000BASE-T. 1b = Advertise. 0b = Not advertised.</p> |
| 4:0 | Selector Field | R/W | 0x01 | Retain | <p>Selector Field Mode. 00001b = 802.3.</p> |

8.27.3.6 Copper Link Partner Ability Register (Base Page) - Page 0, Register 5

| Bits | Field | Mode | HW Rst | SW Rst | Description |
|------|--------------------------|------|--------|--------|--|
| 15 | Next Page | RO | 0x0 | 0x0 | Received Code Word Bit 15. 1b = Link partner capable of next page. 0b = Link partner not capable of next page. |
| 14 | Acknowledge | RO | 0x0 | 0x0 | Acknowledge Received Code Word Bit 14. 1b = Link partner received link code word. 0b = Link partner does not have Next Page ability. |
| 13 | Remote Fault | RO | 0x0 | 0x0 | Remote Fault Received Code Word Bit 13. 1b = Link partner detected remote fault. 0b = Link partner has not detected remote fault. |
| 12 | Technology Ability Field | RO | 0x0 | 0x0 | Received Code Word Bit 12. |
| 11 | Asymmetric Pause | RO | 0x0 | 0x0 | Received Code Word Bit 11. 1b = Link partner requests asymmetric pause. 0b = Link partner does not request asymmetric pause. |
| 10 | Pause Capable | RO | 0x0 | 0x0 | Received Code Word Bit 10. 1b = Link partner is capable of pause operation. 0b = Link partner is not capable of pause operation. |
| 9 | 100BASE-T4 Capability | RO | 0x0 | 0x0 | Received Code Word Bit 9. 1b = Link partner is 100BASE-T4 capable. 0b = Link partner is not 100BASE-T4 capable. |



| | | | | | |
|-----|-----------------------------------|----|------|------|---|
| 8 | 100BASE-TX Full-Duplex Capability | RO | 0x0 | 0x0 | Received Code Word Bit 8. 1b = Link partner is 100BASE-TX full-duplex capable. 0b = Link partner is not 100BASE-TX full-duplex capable. |
| 7 | 100BASE-TX Half-Duplex Capability | RO | 0x0 | 0x0 | Received Code Word Bit 7. 1b = Link partner is 100BASE-TX half-duplex capable. 0b = Link partner is not 100BASE-TX half-duplex capable. |
| 6 | 10BASE-T Full-Duplex Capability | RO | 0x0 | 0x0 | Received Code Word Bit 6. 1b = Link partner is 10BASE-T full-duplex capable. 0b = Link partner is not 10BASE-T full-duplex capable. |
| 5 | 10BASE-T Half-Duplex Capability | RO | 0x0 | 0x0 | Received Code Word Bit 5. 1b = Link partner is 10BASE-T half-duplex capable. 0b = Link partner is not 10BASE-T half-duplex capable. |
| 4:0 | Selector Field | RO | 0x00 | 0x00 | Selector Field Received Code Word Bit 4:0. |

8.27.3.7 Copper Auto-Negotiation Expansion Register - Page 0, Register 6

| Bits | Field | Mode | HW Rst | SW Rst | Description |
|------|------------------------------------|--------|--------|--------|--|
| 15:5 | Reserved | RO | 0x000 | 0x000 | Reserved. |
| 4 | Parallel Detection Fault | RO,LH | 0x0 | 0x0 | Register 6_0.4 is not valid until the auto-negotiation complete bit (Reg 1_0.5) indicates completed. 1b = A fault has been detected via the parallel detection function. 0b = A fault has not been detected via the parallel detection function. |
| 3 | Link Partner Next page Able | RO | 0x0 | 0x0 | Register 6_0.3 is not valid until the auto-negotiation complete bit (Reg 1_0.5) indicates completed. 1b = Link partner is next page able. 0b = Link partner is not next page able. |
| 2 | Local Next Page Able | RO | 0x1 | 0x1 | Register 6_0.2 is not valid until the auto-negotiation complete bit (Reg 1_0.5) indicates completed. 1b = Local device is next page able. 0b = Local device is not next page able. |
| 1 | Page Received | RO, LH | 0x0 | 0x0 | Register 6_0.1 is not valid until the auto-negotiation complete bit (Reg 1_0.5) indicates completed. 1b = A new page has been received. 0b = A new page has not been received. |
| 0 | Link Partner Auto-Negotiation Able | RO | 0x0 | 0x0 | Register 6_0.0 is not valid until the auto-negotiation complete bit (Reg 1_0.5) indicates completed. 1b = Link partner is auto-negotiation able. 0b = Link partner is not auto-negotiation able. |



8.27.3.8 Copper Next Page Transmit Register - Page 0, Register 7

| Bits | Field | Mode | HW Rst | SW Rst | Description |
|------|-------------------------------|------|--------|--------|--|
| 15 | Next Page | R/W | 0x0 | 0x0 | A write to register 7_0 implicitly sets a variable in the auto-negotiation state machine indicating that the next page has been loaded. Link fail clears Reg 7_0. Transmit Code Word Bit 15. |
| 14 | Reserved | RO | 0x0 | 0x0 | Reserved. |
| 13 | Message Page Mode | R/W | 0x1 | 0x1 | Transmit Code Word Bit 13. |
| 12 | Acknowledge2 | R/W | 0x0 | 0x0 | Transmit Code Word Bit 12. |
| 11 | Toggle | RO | 0x0 | 0x0 | Transmit Code Word Bit 11. |
| 10:0 | Message/ Unformatted Field | R/W | 0x001 | 0x001 | Transmit Code Word Bit 10:0. |

8.27.3.9 Copper Link Partner Next Page Register - Page 0, Register 8

| Bits | Field | Mode | HW Rst | SW Rst | Description |
|------|-------------------------------|------|--------|--------|------------------------------|
| 15 | Next Page | RO | 0x0 | 0x0 | Received Code Word Bit 15. |
| 14 | Acknowledge | RO | 0x0 | 0x0 | Received Code Word Bit 14. |
| 13 | Message Page | RO | 0x0 | 0x0 | Received Code Word Bit 13. |
| 12 | Acknowledge2 | RO | 0x0 | 0x0 | Received Code Word Bit 12. |
| 11 | Toggle | RO | 0x0 | 0x0 | Received Code Word Bit 11. |
| 10:0 | Message/ Unformatted Field | RO | 0x000 | 0x000 | Received Code Word Bit 10:0. |



8.27.3.10 1000BASE-T Control Register - Page 0, Register 9

| Bits | Field | Mode | HW Rst | SW Rst | Description |
|-------|--|------|--------|--------|--|
| 15:13 | Test Mode | R/W | 0x0 | Retain | <p>TX_CLK comes from the RX_CLK pin for jitter testing in test modes 2 and 3. After exiting the test mode, hardware reset or software reset (register 0_0.15) should be issued to ensure normal operation.</p> <p>A restart of auto-negotiation clears these bits.</p> <p>000b = Normal mode. 001b = Test Mode 1 - Transmit waveform test. 010b = Test Mode 2 - Transmit jitter test (master mode). 011b = Test Mode 3 - Transmit jitter test (slave mode). 100b = Test Mode 4 - Transmit distortion test. 101b, 110b, and 111b = Reserved.</p> |
| 12 | MASTER/SLAVE Manual Configuration Enable | R/W | 0x0 | Update | <p>A write to this register bit does not take effect until any of the following also occurs:</p> <ul style="list-style-type: none"> • Software reset is asserted (register 0_0.15). • Restart auto-negotiation is asserted (register 0_0.9). • Power down (register 0_0.11, 16_0.2); transitions from power down to normal operation and the copper link goes down. <p>1b = Manual master/slave configuration. 0b = Automatic master/slave configuration.</p> |
| 11 | MASTER/SLAVE Configuration Value | R/W | | Update | <p>A write to this register bit does not take effect until any of the following also occurs:</p> <ul style="list-style-type: none"> • Software reset is asserted (register 0_0.15). • Restart auto-negotiation is asserted (register 0_0.9). • Power down (register 0_0.11, 16_0.2); transitions from power down to normal operation and the copper link goes down. <p>1b = Manual configure as master. 0b = Manual configure as slave.</p> |
| 10 | Port Type | R/W | | Update | <p>A write to this register bit does not take effect until any of the following also occurs:</p> <ul style="list-style-type: none"> • Software reset is asserted (register 0_0.15). • Restart auto-negotiation is asserted (register 0_0.9). • Power down (register 0_0.11, 16_0.2); transitions from power down to normal operation and the copper link goes down. <p>Register 9_0.10 is ignored if register 9_0.12 is equal to 1b. 1b = Prefer multi-port device (master). 0b = Prefer single port device (slave).</p> |



| | | | | | |
|-----|------------------------|-----|------|--------|--|
| 9 | 1000BASE-T Full-Duplex | R/W | 0x1 | Update | <p>A write to this register bit does not take effect until any of the following also occurs:</p> <ul style="list-style-type: none"> • Software reset is asserted (register 0_0.15). • Restart auto-negotiation is asserted (register 0_0.9). • Power down (register 0_0.11, 16_0.2); transitions from power down to normal operation and the copper link goes down. <p>1b = Advertise. 0b = Not advertised.</p> |
| 8 | 1000BASE-T Half-Duplex | R/W | | Update | <p>A write to this register bit does not take effect until any of the following also occurs:</p> <ul style="list-style-type: none"> • Software reset is asserted (register 0_0.15). • Restart auto-negotiation is asserted (register 0_0.9). • Power down (register 0_0.11, 16_0.2); transitions from power down to normal operation and the copper link goes down. <p>1b = Advertise. 0b = Not advertised.</p> |
| 7:0 | Reserved | R/W | 0x00 | Retain | Reserved. |

8.27.3.11 1000BASE-T Status Register - Page 0, Register 10

| Bits | Field | Mode | HW Rst | SW Rst | Description |
|------|--|--------|--------|--------|---|
| 15 | Master/Slave Configuration Fault | RO,LH | 0x0 | 0x0 | <p>This register bit clears on read.</p> <p>1b = Master/slave configuration fault detected. 0b = No master/slave configuration fault detected.</p> |
| 14 | Master/Slave Configuration Resolution | RO | 0x0 | 0x0 | <p>1b = Local PHY configuration resolved to master. 0 = Local PHY configuration resolved to slave.</p> |
| 13 | Local Receiver Status | RO | 0x0 | 0x0 | <p>1b = Local receiver OK. 0b = Local receiver is Not OK.</p> |
| 12 | Remote Receiver Status | RO | 0x0 | 0x0 | <p>1b = Remote receiver OK. 0b = Remote receiver Not OK.</p> |
| 11 | Link Partner 1000BASE-T Full-Duplex Capability | RO | 0x0 | 0x0 | <p>1b = Link partner is capable of 1000BASE-T full-duplex. 0b = Link partner is not capable of 1000BASE-T full-duplex</p> |
| 10 | Link Partner 1000BASE-T Half-Duplex Capability | RO | 0x0 | 0x0 | <p>1b = Link partner is capable of 1000BASE-T half-duplex. 0b = Link partner is not capable of 1000BASE-T half-duplex.</p> |
| 9:8 | Reserved | RO | 0x0 | 0x0 | Reserved. |
| 7:0 | Idle Error Count | RO, SC | 0x00 | 0x00 | <p>MSB of Idle Error Counter.</p> <p>These register bits report the idle error count since the last time this register was read. The counter reaches its maximum count at 11111111b and does not roll over.</p> |

**8.27.3.12 MMD Access Control Register (MMDAC) - Page 0, Register 13**

| Bits | Field | Mode | HW Rst | SW Rst | Description |
|-------|----------|------|--------|--------|---|
| 15:14 | Function | R/W | 0x0 | 0x0 | 00b = Address. 01b = Data, no post increment. 10b = Data, post increment on reads and writes. 11b = Data, post increment on writes only. |
| 13:5 | Reserved | RO | 0x000 | 0x000 | Reserved. |
| 4:0 | DEVAD | RO | 0x00 | 0x00 | Device Address. |

8.27.3.13 MMD Access Address/Data Register (MMDAAD) - Page 0, Register 14

| Bits | Field | Mode | HW Rst | SW Rst | Description |
|------|--------------|------|--------|--------|--|
| 15:0 | Address Data | R/W | 0x0000 | 0x0000 | If 13.15:14 = 00b, MMD DEVAD's address register. Otherwise, MMD DEVAD is data register as indicated by the contents of its address register. |

8.27.3.14 Extended Status Register - Page 0, Register 15

| Bits | Field | Mode | HW Rst | SW Rst | Description |
|------|------------------------|------|-----------|-----------|--|
| 15 | 1000BASE-X Full-Duplex | RO | Always 0b | Always 0b | 0b = Not 1000BASE-X full-duplex capable. |
| 14 | 1000BASE-X Half-Duplex | RO | Always 0b | Always 0b | 0b = Not 1000BASE-X half-duplex capable. |
| 13 | 1000BASE-T Full-Duplex | RO | Always 1b | Always 1b | 1b = 1000BASE-T full-duplex capable. |
| 12 | 1000BASE-T Half-Duplex | RO | Always 1b | Always 1b | 1b = 1000BASE-T half-duplex capable. |
| 11:0 | Reserved | RO | 0x000 | 0x000 | Reserved. |

8.27.3.15 Copper Specific Control Register 1 - Page 0, Register 16

| Bits | Field | Mode | HW Rst | SW Rst | Description |
|-------|---------------------|------|--------|--------|---|
| 15 | Disable Link Pulses | R/W | 0x0 | 0x0 | 1b = Disable link pulse. 0b = Enable link pulse. |
| 14:12 | Downshift counter | R/W | 0x3 | Update | Changes to these bits are disruptive to the normal operation. As a result, any changes to these registers must be followed by software reset to take effect. 1x, 2x, ...8x is the number of times the PHY attempts to establish GbE link before the PHY downshifts to the next highest speed. 000b = 1x 100 = 5x. 001b = 2x 101 = 6x. 010b = 3x 110 = 7x 011 = 4x. 111b = 8x. |



| | | | | | |
|-----|-------------------------------|---------------|------------|--------|--|
| 11 | Downshift Enable | R/W | 0x0 | Update | Changes to these bits are disruptive to the normal operation. As a result, any changes to these registers must be followed by software reset to take effect. 1b = Enable downshift. 0b = Disable downshift. |
| 10 | Force Copper Link Good | R/W | 0x0 | Retain | If link is forced to be good, the link state machine is bypassed and the link is always up. In 1000BASE-T mode this has no effect. 1b = Force link good. 0b = Normal operation. |
| 9:7 | Energy Detect | R/W | | Update | 0xb = Off. 100b = Sense only on receiver (energy detect), auto wake up. 101b = Sense only on receiver (energy detect), SW wake up. 110b = Sense and periodically transmit NLP (energy detect and TM), auto wake up. 111b = Sense and periodically transmit NLP (energy detect and TM), software wake up. |
| 6:5 | MDI Crossover Mode | R/W | See Descr. | Update | Changes to these bits are disruptive to the normal operation. As a result, any changes to these registers must be followed by a software reset to take effect. Upon hardware reset or auto-negotiation restart, this field takes its default value from the setting of IPCNFG.Enable Automatic Crossover bit, either 00b or 11b. 00b = Manual MDI configuration. 01b = Manual MDIX configuration. 10b = Reserved. 11b = Enable automatic crossover for all modes. |
| 4 | Energy Detect wake up control | R/W or RO, SC | 0x0 | 0x0 | This bit controls how PHYG wakes up from the energy detect state. If 16_0.7 = 0b (software wake up), this register bit is in R/W mode. When software writes a 1b to this bit, it wakes up the PHYG from the energy detect state. If 16_0.7 = 1b, PHYG wakes up from the energy detect state automatically based on the energy detected from line. This bit self clears after PHYG leaves the energy detect state. |
| 3 | Copper Transmitter Disable | R/W | 0x0 | Retain | 1b = Transmitter disable. 0b = Transmitter enable. |
| 2 | Power Down | R/W | 0x0 | Retain | Power down is controlled via register 0_0.11 and 16_0.2. Both bits must be set to 0b before the PHY transitions from power down to normal operation. When the port is switched from power down to normal operation, software reset and restart auto-negotiation are performed even when bits <i>Reset</i> (0_0.15) and <i>Restart Auto-Negotiation</i> (0_0.9) are not set by the user. 1b = Power down. 0b = Normal operation. |
| 1 | Polarity Reversal Disable | R/W | 0x0 | Retain | If polarity is disabled, then the polarity is forced to be normal in 10BASE-T. 1b = Polarity reversal disabled. 0b = Polarity reversal enabled The detected polarity status is shown in register 17_0.1, or in 1000BASE-T mode, 21_5.3:0. |
| 0 | Disable Jabber | R/W | 0x0 | Retain | Jabber has effect only in 10BASE-T half-duplex mode. 1b = Disable jabber function. 0b = Enable jabber function. |



8.27.3.16 Copper Specific Status Register 1 - Page 0, Register 17

| Bits | Field | Mode | HW Rst | SW Rst | Description |
|-------|-----------------------------|--------|--------|--------|---|
| 15:14 | Speed | RO | 0x2 | Retain | These status bits are valid only after resolved bit 17_0.11 = 1b. The resolved bit is set when auto-negotiation completes or auto-negotiation is disabled. 11b = Reserved. 10b = 1000 Mb/s. 01b = 100 Mb/s. 00b = 10 Mb/s. |
| 13 | Duplex | RO | 0x0 | Retain | This status bit is valid only after resolved bit 17_0.11 = 1b. The resolved bit is set when auto-negotiation completes or auto-negotiation is disabled. 1b = Full duplex. 0b = Half duplex. |
| 12 | Page Received | RO, LH | 0x0 | 0x0 | 1b = Page received. 0b = Page not received. |
| 11 | Speed and Duplex Resolved | RO | 0x0 | 0x0 | When auto-negotiation is not enabled 17_0.11 = 1b. 1b = Resolved. 0 = Not resolved. |
| 10 | Copper Link (real time) | RO | 0x0 | 0x0 | 1b = Link up. 0b = Link down. |
| 9 | Transmit Pause Enabled | RO | 0x0 | 0x0 | This is a reflection of the MAC pause resolution. This bit is for information purposes and is not used by the device. This status bit is valid only after resolved bit 17_0.11 = 1b. The resolved bit is set when auto-negotiation completes or auto-negotiation is disabled. 1b = Transmit pause enabled. 0b = Transmit pause disable. |
| 8 | Receive Pause Enabled | RO | 0x0 | 0x0 | This is a reflection of the MAC pause resolution. This bit is for information purposes and is not used by the device. This status bit is valid only after resolved bit 17_0.11 = 1b. The resolved bit is set when auto-negotiation completes or auto-negotiation is disabled. 1b = Receive pause enabled. 0b = Receive pause disabled. |
| 7 | Reserved | RO | 0x0 | 0x0 | Reserved. |
| 6 | MDI Crossover Status | RO | 0x1 | Retain | This status bit is valid only after resolved bit 17_0.11 = 1b. The resolved bit is set when auto-negotiation completes or auto-negotiation is disabled. This bit is 0b or 1b depending on what is written to 16.6:5 in manual configuration mode. Register 16.6:5 are updated with a software reset. 1b = MDI-X. 0b = MDI. |
| 5 | Downshift Status | RO | 0x0 | 0x0 | 1b = Downshift. 0b = No downshift. |
| 4 | Copper Energy Detect Status | RO | 0x0 | 0x0 | 1b = Sleep. 0b = Active. |
| 3 | Global Link Status | RO | 0x0 | 0x0 | 1b = Copper link is up. 0b = Copper link is down. |



| | | | | | |
|---|----------------------|----|-----|-----|--|
| 2 | Reserved | RO | 0x0 | 0x0 | Reserved for future use. |
| 1 | Polarity (real time) | RO | 0x0 | 0x0 | 1b = Reversed. 0b = Normal polarity reversal can be disabled by writing to register 16_0.1. In 1000BASE-T mode, polarity of all pairs are shown in register 21_5.3:0. |
| 0 | Jabber (real time) | RO | 0x0 | 0x0 | 1b = Jabber. 0b = No jabber. |

8.27.3.17 Copper Specific Interrupt Enable Register - Page 0, Register 18

| Bits | Field | Mode | HW Rst | SW Rst | Description |
|------|--|------|--------|--------|---|
| 15 | Auto-Negotiation Error Interrupt Enable | R/W | 0x0 | Retain | 1b = Interrupt enable. 0b = Interrupt disable. |
| 14 | Speed Changed Interrupt Enable | R/W | 0x0 | Retain | 1b = Interrupt enable. 0b = Interrupt disable. |
| 13 | Duplex Changed Interrupt Enable | R/W | 0x0 | Retain | 1b = Interrupt enable. 0b = Interrupt disable. |
| 12 | Page Received Interrupt Enable | R/W | 0x0 | Retain | 1b = Interrupt enable. 0b = Interrupt disable. |
| 11 | Auto-Negotiation Completed Interrupt Enable | R/W | 0x0 | Retain | 1b = Interrupt enable. 0b = Interrupt disable. |
| 10 | Link Status Changed Interrupt Enable | R/W | 0x0 | Retain | 1b = Interrupt enable. 0b = Interrupt disable. |
| 9 | Symbol Error Interrupt Enable | R/W | 0x0 | Retain | 1b = Interrupt enable. 0b = Interrupt disable. |
| 8 | False Carrier Interrupt Enable | R/W | 0x0 | Retain | 1b = Interrupt enable. 0b = Interrupt disable. |
| 7 | Reserved | R/W | 0x0 | Retain | Reserved. |
| 6 | MDI Crossover Changed Interrupt Enable | R/W | 0x0 | Retain | 1b = Interrupt enable. 0b = Interrupt disable. |
| 5 | Downshift Interrupt Enable | R/W | 0x0 | Retain | 1b = Interrupt enable. 0b = Interrupt disable. |
| 4 | Copper Energy Detect Interrupt Enable | R/W | 0x0 | Retain | 1b = Interrupt enable. 0b = Interrupt disable. |
| 3 | FLP Exchange Complete but no Link Interrupt Enable | R/W | 0x0 | Retain | 1b = Interrupt enable. 0b = Interrupt disable. |



| | | | | | |
|---|-----------------------------------|-----|-----|--------|---|
| 2 | Reserved | R/W | 0x0 | Retain | Reserved for future use. This bit must be 0. |
| 1 | Polarity Changed Interrupt Enable | R/W | 0x0 | Retain | 1b = Interrupt enable. 0b = Interrupt disable. |
| 0 | Jabber Interrupt Enable | R/W | 0x0 | Retain | 1b = Interrupt enable. 0b = Interrupt disable. |

8.27.3.18 Copper Interrupt Status Register - Page 0, Register 19

| Bits | Field | Mode | HW Rst | SW Rst | Description |
|------|-----------------------------------|-------|-----------|-----------|---|
| 15 | Copper Auto-Negotiation Error | RO,LH | 0x0 | 0x0 | An error is said to occur if master/slave does not resolve, parallel detect fault, no common HCD, or link does not come up after auto-negotiation completes. 1b = Auto-negotiation error. 0b = No auto-negotiation error. |
| 14 | Copper Speed Changed | RO,LH | 0x0 | 0x0 | 1b = Speed changed. 0b = Speed not changed. |
| 13 | Copper Duplex Changed | RO,LH | 0x0 | 0x0 | 1b = Duplex changed. 0b = Duplex not changed. |
| 12 | Copper Page Received | RO,LH | 0x0 | 0x0 | 1b = Page received. 0b = Page not received. |
| 11 | Copper Auto-Negotiation Completed | RO,LH | 0x0 | 0x0 | 1b = Auto-negotiation completed. 0b = Auto-negotiation not completed. |
| 10 | Copper Link Status Changed | RO,LH | 0x0 | 0x0 | 1b = Link status changed. 0b = Link status not changed. |
| 9 | Copper Symbol Error | RO,LH | 0x0 | 0x0 | 1b = Symbol error. 0b = No symbol error. |
| 8 | Copper False Carrier | RO,LH | 0x0 | 0x0 | 1b = False carrier. 0b = No false carrier. |
| 7 | Reserved | RO | Always 0b | Always b0 | Reserved. |
| 6 | MDI Crossover Changed | RO,LH | 0x0 | 0x0 | 1b = Crossover changed. 0b = Crossover not changed. |
| 5 | Downshift Interrupt | RO,LH | 0x0 | 0x0 | 1b = Downshift detected. 0b = No down shift. |
| 4 | Copper Energy Detect Changed | RO,LH | 0x0 | 0x0 | 1b = Energy detect state changed. 0b = No energy detect state change detected. |
| 3 | FLP Exchange Complete but no Link | RO,LH | 0x0 | 0x0 | 1b = FLP exchange completed but link not established. 0b = No event detected. |
| 2 | Reserved | RO,LH | 0x0 | 0x0 | Reserved for future use. |
| 1 | Polarity Changed | RO,LH | 0x0 | 0x0 | 1b = Polarity changed. 0b = Polarity not changed. |
| 0 | Jabber | RO,LH | 0x0 | 0x0 | 1b = Jabber. 0b = No jabber. |



8.27.3.19 Copper Specific Control Register 2 - Page 0, Register 20

| Bits | Field | Mode | HW Rst | SW Rst | Description |
|------|-------------------------------------|------|--------|--------|---|
| 15:8 | Reserved | R/W | 0x000 | Retain | Reserved. |
| 7 | 10Base-Te Enable | R/W | 0b | Retain | 0b = Disable 10BASE-Te. 1b = Enable 10BASE-Te. |
| 6 | Break Link On Insufficient IPG | R/W | 0x0 | Retain | 0b = Break link on insufficient IPGs in 10BASE-T and 100BASE-TX. 1b = Do not break link on insufficient IPGs in 10BASE-T and 100BASE-TX. |
| 5 | 100BASE-T Transmitter Clock Source | R/W | 0x1 | Update | 1b = Local clock. 0b = Recovered clock. |
| 4 | Accelerate 100BASE-T Link Up | R/W | 0x0 | Retain | 0b = No acceleration. 1b = Accelerate. |
| 3 | Reverse MDIP/N[3] Transmit Polarity | R/W | 0x0 | Retain | 0b = Normal transmit polarity. 1b = Reverse transmit polarity. |
| 2 | Reverse MDIP/N[2] Transmit Polarity | R/W | 0x0 | Retain | 0b = Normal transmit polarity. 1b = Reverse transmit polarity. |
| 1 | Reverse MDIP/N[1] Transmit Polarity | R/W | 0x0 | Retain | 0b = Normal transmit polarity. 1b = Reverse transmit polarity. |
| 0 | Reverse MDIP/N[0] Transmit Polarity | R/W | 0x0 | Retain | 0b = Normal transmit polarity. 1b = Reverse transmit polarity. |

8.27.3.20 Copper Specific Receive Error Counter Register - Page 0, Register 21

| Bits | Field | Mode | HW Rst | SW Rst | Description |
|------|---------------------|--------|--------|--------|--|
| 15:0 | Receive Error Count | RO, LH | 0x0000 | Retain | Counter reaches its maximum count at 0xFFFF and does not roll over. Both false carrier and symbol errors are reported. |

8.27.3.21 Page Address - Page Any, Register 22

| Bits | Field | Mode | HW Rst | SW Rst | Description |
|-------|-----------------------------------|------|--------|--------|-----------------------------------|
| 15:14 | Reserved | R/W | 0x0 | Retain | Reserved. These bits must be 0x0. |
| 13:8 | Reserved | RO | 0x00 | 0x00 | Reserved. |
| 7:0 | Page select for registers 0 to 28 | R/W | 0x00 | Retain | Page Number. |



8.27.3.22 Copper Specific Control Register 3 - Page 0, Register 23

| Bits | Field | Mode | HW Rst | SW Rst | Description |
|-------|---------------------------------|------|--------|--------|---|
| 15 | 1000BASE-T Transmitter type | R/W | 0 | Retain | 0 = Class B. 1 = Class A. |
| 14 | Disable 1000BASE-T | R/W | | Retain | When set to disabled, 1000BASE-T is not advertised even if registers 9_0.9 or 9_0.8 are set to 1b. A write to this register bit does not take effect until any one of the following occurs: <ul style="list-style-type: none"> • Software reset is asserted (register 0_0.15). • Restart auto-negotiation is asserted (register 0_0.9). • Power down (register 0_0.11, 16_0.2); transitions from power down to normal operation and the copper link goes down. 1 = Disable 1000BASE-T advertisement. 0 = Enable 1000BASE-T advertisement. |
| 13 | Reverse Autoneg | R/W | | Retain | A write to this register bit does not take effect until any one of the following occurs: <ul style="list-style-type: none"> • Software reset is asserted (register 0_0.15). • Restart auto-negotiation is asserted (register 0_0.9). • Power down (register 0_0.11, 16_0.2); transitions from power down to normal operation and the copper link goes down. 1b = Reverse auto-negotiation. 0b = Normal auto-negotiation. |
| 12 | Disable 100BASE-T | R/W | | Retain | When set to disabled, 100BASE-TX is not advertised even if registers 4_0.8 or 4_0.7 are set to 1b. A write to this register bit does not take effect until any one of the following occurs: <ul style="list-style-type: none"> • Software reset is asserted (register 0_0.15). • Restart auto-negotiation is asserted (register 0_0.9). • Power down (register 0_0.11, 16_0.2); transitions from power down to normal operation and the copper link goes down. 1b = Disable 100BASE-TX advertisement. 0b = Enable 100BASE-TX advertisement. |
| 11:10 | Gigabit Link Down Delay | R/W | 0x0 | Retain | This register only has effect if register 23_0.9 is set to 1b. 00b = 0 ms. 01b = 10 \pm 2ms. 10b = 20 \pm 2ms. 11b = 40 \pm 2ms. |
| 9 | Speed Up Gigabit Link Down Time | R/W | 0x0 | Retain | 1b = Enable faster gigabit link down. This mode shall not be selected if EEE is enabled. 0b = Use IEEE gigabit link down. |
| 8:4 | Reserved | R/W | 0x0 | Update | Reserved for future use. These bits must be 0x4. |



| | | | | | |
|-----|----------------------|-----|-----|--------|--|
| 3:2 | 100 MB test select | R/W | 0x0 | Retain | 0xb = Normal Operation. 10b = Select 112 ns sequence. 11b = Select 16 ns sequence. |
| 1 | 10 BT polarity force | R/W | 0x0 | Retain | 1b = Force negative polarity for receive only. 0b = Normal operation. |
| 0 | Reserved | R/W | 0x0 | Retain | Reserved. |

8.27.3.23 MAC Specific Control Register 1 - Page 2, Register 16

| Bits | Field | Mode | HW Rst | SW Rst | Description |
|-------|----------------------------|------|--------|--------|---|
| 15:14 | Copper Transmit FIFO Depth | R/W | | Retain | 00b = ± 16 bits. 01b = ± 24 bits. 10b = ± 32 bits. 11b = ± 40 bits. |
| 13:10 | Reserved | R/W | 0x8 | Update | Reserved. |
| 9 | fi_125_clk control | R/W | | Retain | 1b = Stop fi_125_clk. 0b = Enable fi_125_clk. |
| 8 | fi_50_clk control | R/W | | Retain | 1b = Stop fi_50_clk. 0b = Enable fi_50_clk. |
| 7:4 | Reserved | R/W | 0x0 | Update | Reserved. |
| 3 | MAC Interface Power Down | R/W | 0x1 | Update | Changes to this bit are disruptive to the normal operation. As a result, any changes to these registers must be followed by a software reset to take effect. This bit determines whether the MAC interface powers down when register 0_0.11, 16_0.2 are used to power down the device or when the PHY enters the energy detect state. 1b = Always power up. 0b = OK to power down. |
| 2:0 | Reserved | R/W | 0x0 | Retain | Reserved |

8.27.3.24 MAC Specific Interrupt Enable Register - Page 2, Register 18

| Bits | Field | Mode | HW Rst | SW Rst | Description |
|------|--------------------------------------|------|--------|--------|---|
| 15:8 | Reserved | R/W | 0x0 | Retain | 0x0. |
| 7 | FIFO Over/Underflow Interrupt Enable | R/W | 0x0 | Retain | 1b = Interrupt enable. 0b = Interrupt disable. |
| 6:4 | Reserved | R/W | 0x0 | Retain | 0x0. |



| | | | | | |
|-----|-------------------------------------|-----|-----|--------|---|
| 3 | FIFO Idle Inserted Interrupt Enable | R/W | 0x0 | Retain | 1b = Interrupt enable. 0b = Interrupt disable. |
| 2 | FIFO Idle Deleted Interrupt Enable | R/W | 0x0 | Retain | 1b = Interrupt enable. 0b = Interrupt disable. |
| 1:0 | Reserved | R/W | 0x0 | Retain | 0x0. |

8.27.3.25 MAC Specific Status Register - Page 2, Register 19

| Bits | Field | Mode | HW Rst | SW Rst | Description |
|------|----------------------------|-------|------------|------------|---|
| 15:8 | Reserved | RO | Always 0x0 | Always 0x0 | Reserved. |
| 7 | Copper FIFO Over/Underflow | RO,LH | 0x0 | 0x0 | 1b = Over/underflow error. 0b = No FIFO error. |
| 6:4 | Reserved | RO | Always 0x0 | Always 0x0 | Reserved. |
| 3 | Copper FIFO Idle Inserted | RO,LH | 0x0 | 0x0 | 1b = Idle inserted. 0b = No idle inserted. |
| 2 | Copper FIFO Idle Deleted | RO,LH | 0x0 | 0x0 | 1b = Idle deleted. 0b = Idle not deleted. |
| 1:0 | Reserved | RO | Always 0x0 | Always 0x0 | Reserved. |

8.27.3.26 Copper RX_ER Byte Capture Register - Page 2, Register 20

| Bits | Field | Mode | HW Rst | SW Rst | Description |
|-------|--------------------|------|--------|--------|---|
| 15 | Capture Data Valid | RO | 0x0 | 0x0 | 1b = Bits 14:0 valid, 0b = Bits 14:0 invalid. |
| 14 | Reserved | RO | 0x0 | 0x0 | Reserved. |
| 13:12 | Byte Number | RO | 0x0 | 0x0 | 00b = 4 bytes before RX_ER asserted, 01b = 3 bytes before RX_ER asserted, 10b = 2 bytes before RX_ER asserted, 11b = 1 byte before RX_ER asserted, The byte number increments after every read when register 20_2.15 is set to 1b. |
| 11:10 | Reserved | RO | 0x0 | 0x0 | Reserved. |
| 9 | RX_ER | RO | 0x0 | 0x0 | RX Error. Normally this bit is low since the capture is triggered by RX_ER being high. However, it is possible to see an RX_ER high when the capture is re-enabled after reading the fourth byte and there happens to be a long sequence of RX_ER when the capture restarts. |
| 8 | RX_DV | RO | 0x0 | 0x0 | RX Data Valid. |
| 7:0 | RXD[7:0] | RO | 0x0 | 0x0 | RX Data. |



8.27.3.27 MAC Specific Control Register 2 - Page 2, Register 21

| Bits | Field | Mode | HW Rst | SW Rst | Description |
|-------|-----------------------------|------|--------|--------|---|
| 15 | Reserved | R/W | 0x0 | 0x0 | Reserved. |
| 14 | Copper Line Loopback | R/W | 0x0 | 0x0 | 1b = Enable loopback of MDI-to-MDI. 0b = Normal operation. |
| 13:12 | Reserved | R/W | 0x1 | Update | Reserved. |
| 11:7 | Reserved | R/W | 0x0 | 0x0 | Reserved. |
| 6 | Reserved | R/W | 0x1 | Update | Reserved. |
| 5:4 | Reserved | R/W | 0x0 | Retain | Reserved. |
| 3 | Block Carrier Extension Bit | R/W | 0x0 | Retain | 1b = Enable block carrier extension. 0b = Disable block carrier extension. |
| 2:0 | Default MAC Interface Speed | R/W | 0x6 | Update | Changes to these bits are disruptive to the normal operation. As a result, any changes to these registers must be followed by software reset to take effect. MAC interface speed during link down while auto-negotiation is enabled. Bit speed: 0XXb = Reserved. 100b = 10 Mb/s. 101b = 100 Mb/s. 110b = 1000 Mb/s. 111b = Reserved. |



8.27.3.28 jt_led_s[3:0] Function Control Register - Page 3, Register 16

| Bits | Field | Mode | HW Rst | SW Rst | Description |
|-------|---------------------|------|--------|--------|--|
| 15:12 | jt_led_s[3] Control | R/W | 0x1 | Retain | <p>If 16_3.11:10 is set to 11b then 16_3.15:12 has no effect.</p> <p>0000b = On - fiber link, off - else.</p> <p>0001b = On - link, blink - activity, off - no link.</p> <p>0010b = On - link, blink - receive, off - no link.</p> <p>0011b = On - activity, off - no activity.</p> <p>0100b = Blink - activity, off - no activity.</p> <p>0101b = Sync-E recovered clock.</p> <p>0110b = On - 10 Mb/s or 1000 Mb/s master, off - else.</p> <p>0111b = On - full duplex, off - half duplex.</p> <p>1000b = Force off.</p> <p>1001b = Force on.</p> <p>1010b = Force hi-Z.</p> <p>1011b = Force blink.</p> <p>11xxb = Reserved.</p> |



| | | | | | |
|------|---------------------|-----|-----|--------|--|
| 11:8 | jt_led_s[2] Control | R/W | 0x7 | Retain | <p>0000b = On - link, off - no link. 0001b = On - link, blink - activity, off - no link. 0010b = Reserved. 0011b = On - activity, off - no activity. 0100b = Blink - activity, off -no activity. 0101b = On - transmit, off - no transmit. 0110b = On - 10/1000 Mb/s link, off - else. 0111b = On - 10 Mb/s Link, off - else. 1000b = Force off. 1001b = Force on. 1010b = Force hi-Z. 1011b = Force blink. 1100b = MODE 1 (dual LED mode). 1101b = MODE 2 (dual LED mode). 1110b = MODE 3 (dual LED mode). 1111b = MODE 4 (dual LED mode).</p> |
| 7:4 | jt_led_s[1] Control | R/W | 0x7 | Retain | <p>If 16_3.3:2 is set to 11b then 16_3.7:4 has no effect. 0000b = On - copper link, off - else. 0001b = On - link, blink - activity, off - no link. 0010b = On - link, blink - receive, off - no link. 0011b = On - activity, off - no activity. 0100b = Blink - activity, off -no activity. 0101b = On - 100 Mb/s link or fiber link, off - else. 0110b = On - 100/1000 Mb/s link, off - else. 0111b = On - 100 Mb/s link, off - else. 1000b = Force off. 1001b = Force on. 1010b = Force hi-Z. 1011b = Force blink. 11xxb = Reserved.</p> |
| 3:0 | jt_led_s[0] Control | R/W | 0x7 | Retain | <p>0000b = On - link, off - no link. 0001b = On - link, blink - activity, off - no link. 0010b = 3 blinks - 1000 Mb/s. 2 blinks - 100 Mb/s. 1 blink - 10 Mb/s. 0 blink - No link. 0011b = On - activity, off - no activity. 0100b = Blink - activity, off -no activity. 0101b = On - transmit, off - no transmit. 0110b = On - copper link, off - else. 0111b = On - 1000 Mb/s link, off - else. 1000b = Force off. 1001b = Force on. 1010b = Force hi-Z. 1011b = Force blink. 1100b = MODE 1 (dual LED mode). 1101b = MODE 2 (dual LED mode). 1110b = MODE 3 (dual LED mode). 1111b = MODE 4 (dual LED mode).</p> |



8.27.3.29 jt_led_s[3:0] Polarity Control Register - Page 3, Register 17

| Bits | Field | Mode | HW Rst | SW Rst | Description |
|-------|---|------|--------|--------|---|
| 15:12 | jt_led_s[5], jt_led_s[3], jt_led_s[1] Mix Percentage | R/W | 0x8 | Retain | When using 2 terminal bi-color LEDs the mixing percentage should not be set greater than 50%. 0000b = 0%. 0001b = 12.5%, . . . 0111b = 87.5%. 1000b = 100%. 1001b to 1111b = Reserved. |
| 11:8 | jt_led_s[4], jt_led_s[2], jt_led_s[0] Mix Percentage | R/W | 0x8 | Retain | When using 2 terminal bi-color LEDs the mixing percentage should not be set greater than 50%. 0000b = 0%. 0001b = 12.5%, . . . 0111b = 87.5%. 1000b = 100%. 1001b to 1111b = Reserved. |
| 7:6 | jt_led_s[3] Polarity | R/W | 0x0 | Retain | 00b = On - drive jt_led_s[3] low, off - drive jt_led_s[3] high. 01b = On - drive jt_led_s[3] high, off - drive jt_led_s[3] low. 10b = On - drive jt_led_s[3] low, off - tristate jt_led_s[3]. 11b = On - drive jt_led_s[3] high, off - tristate jt_led_s[3]. |
| 5:4 | jt_led_s[2] Polarity | R/W | 0x0 | Retain | 00b = On - drive jt_led_s[2] low, off - drive jt_led_s[2] high. 01b = On - drive jt_led_s[2] high, off - drive jt_led_s[2] low. 10b = On - drive jt_led_s[2] low, off - tristate jt_led_s[2]. 11b = On - drive jt_led_s[2] high, off - tristate jt_led_s[2]. |
| 3:2 | jt_led_s[1] Polarity | R/W | 0x0 | Retain | 00b = On - drive jt_led_s[1] low, off - drive jt_led_s[1] high. 01b = On - drive jt_led_s[1] high, off - drive jt_led_s[1] low. 10b = On - drive jt_led_s[1] low, off - tristate jt_led_s[1]. 11b = On - drive jt_led_s[1] high, off - tristate jt_led_s[1]. |
| 1:0 | jt_led_s[0] Polarity | R/W | 0x0 | Retain | 00b = On - drive jt_led_s[0] low, off - drive jt_led_s[0] high. 01b = On - drive jt_led_s[0] high, off - drive jt_led_s[0] low. 10b = On - drive jt_led_s[0] low, off - tristate jt_led_s[0]. 11b = On - drive jt_led_s[0] high, off - tristate jt_led_s[0]. |

8.27.3.30 LED Timer Control Register - Page 3, Register 18

| Bits | Field | Mode | HW Rst | SW Rst | Description |
|-------|---------------------------|------|--------|--------|--|
| 15 | Force INT | R/W | 0x0 | Retain | 1b = jt_int_out_s pin forced to be asserted. 0b = Normal operation. |
| 14:12 | Pulse Stretch Duration | R/W | 0x4 | Retain | 000b = no pulse stretching. 001b = 21 ms to 42 ms. 010b = 42 ms to 84 ms. 011b = 84 ms to 170 ms. 100b = 170 ms to 340 ms. 101b = 340 ms to 670 ms. 110b = 670 ms to 1.3 s. 111b = 1.3s to 2.7 s. |
| 11 | Interrupt Polarity | R/W | 0x1 | Retain | 0b = Interrupt active high. 1b = Interrupt active low. |



| | | | | | |
|------|------------------------|-----|-----|--------|--|
| 10:8 | Blink Rate | R/W | 0x1 | Retain | 000b = 42 ms. 001b = 84 ms. 010b = 170 ms. 011b = 340 ms. 100b = 670 ms. 101b to 111b = Reserved. |
| 7:4 | Reserved | R/W | 0x0 | Retain | 0x0. |
| 3:2 | Speed Off Pulse Period | R/W | 0x1 | Retain | 00b = 84 ms. 01b = 170 ms. 10b = 340 ms. 11b = 670 ms |
| 1:0 | Speed On Pulse Period | R/W | 0x1 | Retain | 00b = 84 ms. 01b = 170 ms. 10b = 340 ms. 11b = 670 ms. |

8.27.3.31 jt_led_s[5:4] Function Control and Polarity Register - Page 3, Register 19

| Bits | Field | Mode | HW Rst | SW Rst | Description |
|-------|----------------------------------|------|--------|--------|---|
| 15 | jt_led_s[3] function pin mapping | R/W | 0x0 | Retain | 0b = Map jt_led_s[3] function to jt_led_s[3] pin. 1b = Map jt_led_s[5] function to jt_led_s[3] pin. |
| 14 | jt_led_s[2] function pin mapping | R/W | 0x0 | Retain | 0b = Map jt_led_s[2] function to jt_led_s[2] pin. 1b = Map jt_led_s[4] function to jt_led_s[2] pin. |
| 13:12 | Reserved | R/W | 0x0 | Retain | Reserved. |
| 11:10 | jt_led_s[5] Polarity | R/W | 0x0 | Retain | 00b = On - drive jt_led_s[5] low, off - drive jt_led_s[5] high. 01b = On - drive jt_led_s[5] high, off - drive jt_led_s[5] low. 10b = On - drive jt_led_s[5] low, off - tristate jt_led_s[5]. 11b = On - drive jt_led_s[5] high, off - tristate jt_led_s[5]. |



| | | | | | |
|-----|-------------------------|-----|-----|--------|--|
| 9:8 | jt_led_s[4] Polarity | R/W | 0x0 | Retain | 00b = On - drive jt_led_s[4] low, Off - drive jt_led_s[4] high. 01b = On - drive jt_led_s[4] high, Off - drive jt_led_s[4] low. 10b = On - drive jt_led_s[4] low, Off - tristate jt_led_s[4]. 11b = On - drive jt_led_s[4] high, Off - tristate jt_led_s[4]. |
| 7:4 | jt_led_s[5] Control | R/W | 0x7 | Retain | If 19_3.3:2 is set to 11b then 19_3.7:4 has no effect. 0000b = On - receive, off - no receive. 0001b = On - link, blink - activity, off - no link. 0010b = On - link, blink - receive, off - no link. 0011b = On - activity, off - no activity. 0100b = Blink - activity, off -no activity. 0101b = On - transmit, off - no transmit. 0110b = On - full duplex, off - half duplex. 0111b = On - full duplex, blink - collision off - half duplex. 1000b = Force off. 1001b = Force on. 1010b = Force hi-Z. 1011b = Force blink. 11xxb = Reserved. |
| 3:0 | jt_led_s[4] Control | R/W | 0x3 | Retain | 0000b = On - receive, off - no receive. 0001b = On - link, blink - activity, off - no link. 0010b = On - link, blink - receive, off - no link. 0011b = On - activity, off - no activity. 0100b = Blink - activity, off -no activity. 0101b = On - transmit, off - no transmit. 0110b = On - full duplex, off - half duplex. 0111b = On - full duplex, blink - collision, off - half duplex. 1000b = Force off. 1001b = Force on. 1010b = Force hi-Z. 1011b = Force blink. 1100b = MODE 1 (dual LED mode). 1101b = MODE 2 (dual LED mode). 1110b = MODE 3 (dual LED mode). 1111b = MODE 4 (dual LED mode). |

8.27.3.32 100BASE-T Pair Skew Register - Page 5, Register 20

| Bits | Field | Mode | HW Rst | SW Rst | Description |
|-------|------------------------|------|--------|--------|---|
| 15:12 | Pair 7,8 (MDI[3]→±) | RO | 0x0 | 0x0 | Skew = bit value x 8 ns. Value is correct to within ± 8 ns. The contents of 20_5.15:0 are valid only if register 21_5.6 = 1b. |
| 11:8 | Pair 4,5 (MDI[2]→±) | RO | 0x0 | 0x0 | Skew = bit value x 8 ns. Value is correct to within ± 8ns. |
| 7:4 | Pair 3,6 (MDI[1]→±) | RO | 0x0 | 0x0 | Skew = bit value x 8 ns. Value is correct to within ± 8ns. |
| 3:0 | Pair 1,2 (MDI[0]→±) | RO | 0x0 | 0x0 | Skew = bit value x 8 ns. Value is correct to within ± 8ns. |



8.27.3.33 1000BASE-T Pair Swap and Polarity - Page 5, Register 21

| Bits | Field | Mode | HW Rst | SW Rst | Description |
|------|---|------|--------|--------|--|
| 15:7 | Reserved | RO | 0x0 | 0x0 | Reserved. |
| 6 | Register 20_5 and 21_5 Valid | RO | 0x0 | 0x0 | The contents of 21_5.5:0 and 20_5.15:0 are valid only if Register 21_5.6 = 1b 1b = Valid. 0b = Invalid. |
| 5 | C, D Crossover | RO | 0x0 | 0x0 | 1b = Channel C received on MDI[2] _{→±} channel D received on MDI[3] _{→±} . 0b = Channel D received on MDI[2] _{→±} channel C received on MDI[3] _{→±} . |
| 4 | A, B Crossover | RO | 0x0 | 0x0 | 1b = Channel A received on MDI[0] _{→±} channel B received on MDI[1] _{→±} . 0b = Channel B received on MDI[0] _{→±} channel A received on MDI[1] _{→±} . |
| 3 | Pair 7,8 (MDI[3] _{→±}) Polarity | RO | 0x0 | 0x0 | 1b = Negative. 0b = Positive. |
| 2 | Pair 4,5 (MDI[2] _{→±}) Polarity | | 0x0 | 0x0 | 1b = Negative. 0b = Positive. |
| 1 | Pair 3,6 (MDI[1] _{→±}) Polarity | RO | 0x0 | 0x0 | 1b = Negative. 0b = Positive. |
| 0 | Pair 1,2 (MDI[0] _{→±}) Polarity | RO | 0x0 | 0x0 | 1b = Negative. 0b = Positive. |

8.27.3.34 Copper Port Packet Generation - Page 6, Register 16

| Bits | Field | Mode | HW Rst | SW Rst | Description |
|------|-------------------------------|------|--------|--------|---|
| 15:8 | Packet Burst | R/W | 0x0 | Retain | 0x00 = Continuous. 0x01 to 0xFF = burst 1 to 255 packets. |
| 7:6 | Reserved | R/W | 0x0 | Retain | Reserved. |
| 4 | Enable CRC checker | R/W | 0x0 | Retain | 1b = Enable. |
| 3 | Enable packet generator | R/W | 0x0 | Retain | 1b = Enable. |
| 2 | Payload of packet to transmit | R/W | 0x0 | Retain | 0b = Pseudo random. 1b = 5A,A5,5A,A5,.... |
| 1 | Length of packet to transmit | R/W | 0x0 | Retain | 1b = 1518 bytes. 0b = 64 bytes. |
| 0 | Transmit an Errored packet | R/W | 0x0 | Retain | 1b = Tx packets with CRC errors and symbol error. 0b = No error. |



8.27.3.35 Copper Port CRC Counters - Page 6, Register 17

| Bits | Field | Mode | HW Rst | SW Rst | Description |
|------|-----------------|------|--------|--------|--|
| 15:8 | Packet Count | RO | 0x0 | Retain | 0x00 = no packets received. 0xFF = 256 packets received (max count). Bit 16_6.4 must be set to 1b in order for register to be valid. |
| 7:0 | CRC Error Count | RO | 0x0 | Retain | 0x00 = no CRC errors detected in the packets received. 0xFF = 256 CRC errors detected in the packets received (max count). Bit 16_6.4 must be set to 1b in order for register to be valid. |

8.27.3.36 Checker Control - Page 6, Register 18

| Bits | Field | Mode | HW Rst | SW Rst | Description |
|------|-------------------|---------|--------|--------|---|
| 15:5 | Reserved | R/W | 0x000 | Retain | Reserved. |
| 4 | CRC Counter Reset | R/W, SC | 0x0 | 0x0 | 1b = Reset. This bit self clears after write to 1b.. |
| 3 | Enable Stub Test | R | 0x0 | Retain | 1b = Enable stub test. 0b = Normal operation. |
| 2:0 | Reserved | R/W | 0x0 | Retain | Reserved. |

8.27.3.37 Misc Test - Page 6, Register 26

| Bits | Field | Mode | HW Rst | SW Rst | Description |
|-------|----------------|--------|--------|--------|---|
| 15 | TX_TCLK Enable | R/W | 0x0 | 0x0 | The highest numbered enabled port drives the transmit clock to the HSDACP/N pin. 1b = Enable. 0b = Disable. |
| 14:13 | Reserved | R/W | 0x0 | Retain | Reserved. |
| 12:8 | Reserved | R/W | 0x19 | Retain | Reserved. |
| 7 | Reserved | R/W | 0x0 | Retain | Reserved. |
| 6 | Reserved | RO, LH | 0x0 | 0x0 | Reserved. |
| 5 | Reserved | R/W | 0x0 | Retain | Reserved. |
| 4:0 | Reserved | RO | xxxxx | xxxxx | Reserved. |



8.27.4 XMDIO Register Description

| Register Name | Register Address | Table and Page |
|---|-----------------------|---|
| PCS Control 1 Register | Device 3, register 0 | section 8.27.4.1 on page 573. |
| PCS Status 1 Register | Device 3, register 1 | section 8.27.4.2 on page 573. |
| PCS EEE Capability Register | Device 3, register 20 | section 8.27.4.3 on page 573. |
| PCS EEE Wake Error Counter | Device 3, register 22 | section 8.27.4.4 on page 574. |
| EEE Advertisement Register | Device 7, register 60 | section 8.27.4.5 on page 574. |
| EEE Link Partner Advertisement Register | Device 7, register 61 | section 8.27.4.6 on page 574. |

8.27.4.1 PCS Control 1 Register - Device 3, Register 0

| Bits | Field | Mode | HW Rst | SW Rst | Description |
|-------|-----------------|------|--------|--------|---|
| 15:11 | Reserved | RO | 0x00 | Retain | Reserved. |
| 10 | Clock Stoppable | R/W | 0x0 | Retain | 1b = Clock stoppable during LPI. 0b = Clock not stoppable. |
| 9:0 | Reserved | RO | 0x000 | Retain | Reserved. |

8.27.4.2 PCS Status 1 Register - Device 3, Register 1

| Bits | Field | Mode | HW Rst | SW Rst | Description |
|-------|-------------------------|-------|--------|--------|---|
| 15:12 | Reserved | RO | 0x0 | Retain | Reserved. |
| 11 | Tx LP Idle Received | RO/LH | 0x0 | Retain | 1b = Tx PCS has received LP idle. 0b = LP Idle not received. |
| 10 | Rx LP Idle Received | RO/LH | 0x0 | Retain | 1b = Rx PCS has received LP idle. 0b = LP Idle not received. |
| 9 | Tx LP Idle Indication | RO | 0x0 | Retain | 1b = Tx PCS is currently receiving LP idle. 0b = PCS is not currently receiving LP idle. |
| 8 | Rx LP Idle Indication | RO | 0x0 | Retain | 1b = Rx PCS is currently receiving LP idle. 0b = PCS is not currently receiving LP idle. |
| 7:3 | Reserved | RO | 0x0 | Retain | Reserved. |
| 2 | PCS Receive Link status | RO | 0x0 | Retain | 1b = PCS receive link up. 0b = PCS receive link down. |
| 1 | Low-power Ability | RO | 0x0 | Retain | 1b = PCS supports low-power mode. 0b = PCS does not support low-power mode. |
| 0 | Reserved | RO | 0x0 | Retain | Reserved. |



8.27.4.3 PCS EEE Capability Register - Device 3, Register 20

| Bits | Field | Mode | HW Rst | SW Rst | Description |
|------|-----------------|------|--------|--------|---|
| 15:7 | Reserved | RO | 0x000 | Retain | Reserved |
| 6 | 10GBASE-KR EEE | RO | 0x0 | Retain | 1b = EEE is supported for 10GBASE-KR. 0b = EEE is not supported for 10GBASE-KR. |
| 5 | 10GBASE-KX4 EEE | RO | 0x0 | Retain | 1b = EEE is supported for 10GBASE-KX4. 0b = EEE is not supported for 1000BASE-KX RO. |
| 4 | 1000BASE-KX | RO | 0x0 | Retain | 1b = EEE is supported for 1000BASE-KX. 0b = EEE is not supported for 1000BASE-KX RO. |
| 3 | 10GBASE-T EEE | RO | 0x0 | Retain | 1b = EEE is supported for 10GBASE-T. 0b = EEE is not supported for 10GBASE-T. |
| 2 | 1000BASE-T EEE | RO | 0x0 | Retain | 1b = EEE is supported for 1000BASE-T. 0b = EEE is not supported for 1000BASE-T. |
| 1 | 100BASE-TX EEE | RO | 0x0 | Retain | 1b = EEE is supported for 100BASE-TX. 0b = EEE is not supported for 100BASE-TX. |
| 0 | Reserved | RO | 0x0 | Retain | Reserved. |

8.27.4.4 PCS EEE Wake Error Counter - Device 3, Register 22

| Bits | Field | Mode | HW Rst | SW Rst | Description |
|------|------------------------|-------|--------|--------|-------------|
| 15:0 | EEE wake error counter | RO,NR | 0x0000 | Retain | |

8.27.4.5 EEE Advertisement Register - Device 7, Register 60

| Bits | Field | Mode | HW Rst | SW Rst | Description |
|------|-----------------|------|--------|--------|---|
| 15:7 | Reserved | RO | 0x0 | Retain | Reserved. |
| 6 | 10GBASE-KR EEE | RO | 0x0 | Retain | 1b = EEE is supported for 10GBASE-KR. 0b = EEE is not supported for 10GBASE-KR. |
| 5 | 10GBASE-KX4 EEE | RO | 0x0 | Retain | 1b = EEE is supported for 10GBASE-KX4. 0b = EEE is not supported for 1000BASE-KX RO. |
| 4 | 1000BASE-KX | RO | 0x0 | Retain | 1b = EEE is supported for 1000BASE-KX. 0b = EEE is not supported for 1000BASE-KX RO. |
| 3 | 10GBASE-T EEE | RO | 0x0 | Retain | 1b = EEE is supported for 10GBASE-T. 0b = EEE is not supported for 10GBASE-T. |



| | | | | | |
|---|----------------|-----|-----|--------|--|
| 2 | 1000BASE-T EEE | R/W | 0x0 | Retain | 1b = EEE is supported for 1000BASE-T. 0b = EEE is not supported for 1000BASE-T. |
| 1 | 100BASE-TX EEE | R/W | 0x0 | Retain | 1b = EEE is supported for 100BASE-TX. 0b = EEE is not supported for 100BASE-TX. |
| 0 | Reserved | RO | 0x0 | Retain | Reserved. |

8.27.4.6 EEE Link Partner Advertisement Register - Device 7, Register 61

| Bits | Field | Mode | HW Rst | SW Rst | Description |
|------|--------------------|------|--------|--------|---|
| 15:7 | Reserved | RO | 0x000 | Retain | Reserved. |
| 6 | LP 10GBASE-KR EEE | RO | 0x0 | Retain | 1b = EEE is supported for 10GBASE-KR. 0b = EEE is not supported for 10GBASE-KR. |
| 5 | LP 10GBASE-KX4 EEE | RO | 0x0 | Retain | 1b = EEE is supported for 10GBASE-KX4. 0b = EEE is not supported for 1000BASE-KX RO. |
| 4 | LP 1000BASE-KX | RO | 0x0 | Retain | 1b = EEE is supported for 1000BASE-KX. 0b = EEE is not supported for 1000BASE-KX RO. |
| 3 | LP 10GBASE-T EEE | RO | 0x0 | Retain | 1b = EEE is supported for 10GBASE-T. 0b = EEE is not supported for 10GBASE-T. |
| 2 | LP 1000BASE-T EEE | RO | 0x0 | Retain | 1b = EEE is supported for 1000BASE-T. 0b = EEE is not supported for 1000BASE-T. |
| 1 | LP 100BASE-TX EEE | RO | 0x0 | Retain | 1b = EEE is supported for 100BASE-TX. 0b = EEE is not supported for 100BASE-TX. |
| 0 | Reserved | RO | 0x0 | Retain | Reserved. |

8.27.5 PHY Registers

| Register Name | Register Address | Table and Page |
|-----------------------------------|----------------------|---|
| Fiber Control Register | Page 26, register 16 | section 8.27.5.1 on page 575. |
| Fiber Control Register | Page 26, register 21 | section 8.27.5.2 on page 576. |
| PRBS Control | Page 26, register 23 | section 8.27.5.3 on page 576. |
| PRBS Error Counter LSB | Page 26, register 24 | section 8.27.5.4 on page 576. |
| PRBS Error Counter MSB | Page 26, register 25 | section 8.27.5.5 on page 577. |
| Fiber Specific Control Register 2 | Page 26, register 26 | section 8.27.5.6 on page 577. |
| Polarity Control | Page 26, register 27 | section 8.27.5.7 on page 577. |
| SERDES TX FIFO Control and Status | Page 26, register 28 | section 8.27.5.8 on page 578. |
| Voltage Regulator Control | Page 26, register 30 | section 8.27.5.9 on page 579. |



8.27.5.1 Fiber Control Register - Page 26, Register 16

| Bits | Field | Mode | HW Rst | SW Rst | Description |
|-------|-------------|------|------------|------------|--|
| 15 | Fiber Reset | R/W | 0x0 | SC | Fiber Software Reset. Affects page 1. Writing a 0x1 to this bit causes the PHY state machines to be reset. When the reset operation completes, this bit is cleared to 0x0 automatically. The reset occurs immediately. 1b = PHY reset. 0b = Normal operation. |
| 14 | Loopback | R/W | | Retain | The latest event that occurs between the register write and pin control determines the loopback. When loopback is activated, the transmitter data presented on TXD of the internal bus is looped back to RXD of the internal bus. 1b = Enable loopback. 0b = Disable loopback. |
| 13:12 | Reserved | R/W | 0x0 | SC | Always 0x0. |
| 11:10 | Power Down | R/W | | 0x0 | The latest event that occurs between the register write and pin control determines the register value. 00b = Total power up. 01b = Power down everything except wire activity detection circuit. 1xb = Total power down. |
| 9:0 | Reserved | RO | Always 0x0 | Always 0x0 | Always 0x0. |

8.27.5.2 Fiber Control Register - Page 26, Register 21

| Bits | Field | Mode | HW Rst | SW Rst | Description |
|------|---------------------|--------|--------|--------|--|
| 15:0 | Receive Error Count | RO, LH | 0x0 | Retain | Counter reaches its maximum count at 0xFFFF and does not roll over. Both false carrier and symbol errors are reported. |

8.27.5.3 PRBS Control - Page 26, Register 23

| Bits | Field | Mode | HW Rst | SW Rst | Description |
|------|---------------------------|---------|--------|--------|---|
| 15:8 | Reserved | R/W | 0x0 | Retain | Set to 0x0. |
| 7 | Invert Checker Polarity | R/W | 0x0 | Retain | 0 = Normal. 1 = Invert. |
| 6 | Invert Generator Polarity | R/W | 0x0 | Retain | 0 = Normal. 1 = Invert. |
| 5 | PRBS Lock | R/W | 0x0 | Retain | 0 = Counter free runs. 1 = Do not start counting until PRBS locks first. |
| 4 | Clear Counter | R/W, SC | 0x0 | 0x0 | 0 = Normal. 1 = Clear counter. |



| | | | | | |
|-----|-----------------------|-----|-----|--------|--|
| 3:2 | Pattern Select | R/W | 00 | Retain | 00b = PRBS 7. 01b = PRBS 23. 10b = PRBS 31. 11b = Generate 1010101010... pattern. |
| 1 | PRBS Checker Enable | R/W | 0x0 | 0x0 | 0b = Disable. 1b = Enable. |
| 0 | PRBS Generator Enable | R/W | 0x0 | 0x0 | 0b = Disable. 1b = Enable. |

8.27.5.4 PRBS Error Counter LSB- Page 26, Register 24

| Bits | Field | Mode | HW Rst | SW Rst | Description |
|------|----------------------|------|--------|--------|--|
| 15:0 | PRBS Error Count LSB | RO | 0x0 | Retain | A read to this register freezes register 25_26. Cleared only when register 23_26.4 is set to 0b. |

8.27.5.5 PRBS Error Counter MSB- Page 26, Register 25

| Bits | Field | Mode | HW Rst | SW Rst | Description |
|------|----------------------|------|--------|--------|---|
| 15:0 | PRBS Error Count MSB | RO | 0x0 | Retain | This register does not update unless register 24_26 is read first. Cleared only when register 23_26.4 is set to 1b. |

8.27.5.6 Fiber Specific Control Register 2 - Page 26, Register 26

| Bits | Field | Mode | HW Rst | SW Rst | Description |
|------|------------------|------|--------|--------|--|
| 15:3 | Reserved | R/W | 0x0 | Update | Must be set to 0x0. |
| 2:0 | Output Amplitude | R/W | 0x2 | Retain | Differential voltage peak measured. The latest event that occurs between the register write and pin control determines the current output amplitude setting. 000b = 14 mV. 001b = 112 mV. 010b = 210 mV. 011b = 308 mV. 100b = 406 mV. 101b = 504 mV. 110b = 602 mV. 111b = 700 mV. |

**8.27.5.7 Polarity Control - Page 26, Register 27**

| Bits | Field | Mode | HW Rst | SW Rst | Description |
|------|-----------------------|------|--------|--------|--|
| 15 | Invert rxp/n Polarity | R/W | | Retain | The latest event that occurs between the register write and pin control determines the polarity. 0b = Normal. 1b = Invert. |
| 14 | Invert txp/n Polarity | R/W | | Retain | The latest event that occurs between the register write and pin control determines the polarity. 0b = Normal. 1b = Invert. |
| 13:2 | Reserved | R/W | 0x0 | Retain | Reserved for future use. |
| 1:0 | SQ Control Selection | R/W | 0x | Retain | Squelch detector threshold control. 00b = 30 mV. 01b = 60 mV. 10b = 90 mV. 11b = 120 mV. |

8.27.5.8 SerDes TX FIFO Control and Status - Page 26, Register 28

| Bits | Field | Mode | HW Rst | SW Rst | Description |
|-------|----------------------------|------|--------|--------|---|
| 15:14 | SerDes Transmit FIFO Depth | R/W | 0x0 | Retain | 00b = Read/write pointers are offset by two cycles. 01b = Read/write pointers are offset by three cycles. 1xb = Reserved. |
| 13:2 | Reserved | R/W | 0x0 | Retain | 0x0. |
| 1 | FIFO Full | RC | 0b | Retain | 1b = FIFO full, clear upon read. |
| 0 | FIFO Empty | RC | 0b | Retain | 1b = FIFO empty, clear upon read. |



8.27.5.9 Voltage Regulator Control - Page 26, Register 30

| Bits | Field | Mode | HW Rst | SW Rst | Description |
|------|-----------------------------|------|--------|--------|--|
| 15:7 | Reserved | R/W | 0x0 | Retain | 0x0. |
| 6:3 | scr09 Output Voltage Select | R/W | | Retain | The latest event that occurs between the register write and pin control determines the current output amplitude setting. 0000b = 0.70V 0001b = 0.725V 0010b = 0.75V 0011b = 0.775V 0100b = 0.80V 0101b = 0.825V 0110b = 0.85V 0111b = 0.875V 1000b = 0.90V (default) 1001b = 0.925V (not recommended) 1010b = 0.95V (not recommended) 1011b = 0.975V (not recommended) 1100b = 1.00V (not recommended) 1101b = 1.025V (not recommended) 1110b = 1.05V (not recommended) 1111b = 1.075V (not recommended) |
| 2:0 | scr15 Output Voltage Select | R/W | | Retain | The latest event that occurs between the register write and pin control determines the current output amplitude setting. 000b = 1.35V. 001b = 1.40V. 010b = 1.45V. 011b = 1.50V, default. 100b to 111b= Reserved. |



Note: This page intentionally left blank.



9.0 PCIe Programming Interface

9.1 PCIe* Compatibility

PCIe is completely compatible with existing deployed PCI software. To achieve this, PCIe hardware implementations conform to the following requirements:

- All devices required to be supported by deployed PCI software must be enumerable as part of a tree through PCI device enumeration mechanisms.
- Devices in their default operating state must conform to PCI ordering and cache coherency rules from a software viewpoint.
- PCIe devices must conform to PCI power management specifications and must not require any register programming for PCI-compatible power management beyond those available through PCI power management capabilities registers. Power management is expected to conform to a standard PCI power management by existing PCI bus drivers.
- PCIe devices implement all registers required by the PCI specification as well as the power management registers and capability pointers specified by the PCI power management specification. In addition, PCIe defines a PCIe capability pointer to indicate support for PCIe extensions and associated capabilities.

The function contain the following regions of the PCI configuration space:

- Mandatory PCI configuration registers
- Power management capabilities
- MSI and MSI-X capabilities
- PCIe extended capabilities

9.2 PCIe Register Map

9.2.1 Register Attributes

Configuration registers are assigned one of the attributes described in the following table.

Table 9-1. Configuration Registers

| Rd/Wr | Description |
|-------|--|
| RO | Read-only register: Register bits are read-only and cannot be altered by software. |
| RW | Read-write register: Register bits are read-write and can be either set or reset. |
| R/W1C | Read-only status, write-1-to-clear status register, writing a 0b to R/W1C bits has no effect. |
| ROS | Read-only register with sticky bits: Register bits are read-only and cannot be altered by software. Bits are not cleared by reset and can only be reset with the PWRGOOD signal. Devices that consume AUX power are not allowed to reset sticky bits when AUX power consumption (either via AUX power or PME enable) is enabled. |



Table 9-1. Configuration Registers (Continued)

| | |
|--------|---|
| RWS | Read-write register: Register bits are read-write and can be either set or reset by software to the desired state. Bits are not cleared by reset and can only be reset with the PWRGOOD signal. Devices that consume AUX power are not allowed to reset sticky bits when AUX power consumption (either via AUX power or PME enable) is enabled. |
| R/W1CS | Read-only status, write-1-to-clear status register: Register bits indicate status when read, a set bit indicating a status event can be cleared by writing a 1b. Writing a 0b to R/W1C bits has no effect. Bits are not cleared by reset and can only be reset with the PWRGOOD signal. Devices that consume AUX power are not allowed to reset sticky bits when AUX power consumption (either via AUX power or PME enable) is enabled. |
| HwInit | Hardware initialized: Register bits are initialized by firmware or hardware mechanisms such as pin strapping or serial Flash. Bits are read-only after initialization and can only be reset (for write-once by firmware) with PWRGOOD signal. |
| RsvdP | Reserved and preserved: Reserved for future R/W implementations; software must preserve value read for writes to bits. |
| RsvdZ | Reserved and zero: Reserved for future R/W1C implementations; software must use 0b for writes to bits. |

The PCI configuration registers map is listed in [Table 9-2](#). Refer to a detailed description for registers loaded from the Flash at initialization time. Note that initialization values of the configuration registers are marked in parenthesis.

9.2.2 PCIe Configuration Space Summary

Table 9-2. PCIe Configuration Registers Map -

| Section | Byte Offset | Byte 3 | Byte 2 | Byte 1 | Byte 0 | |
|-----------------------------|--------------------|--------------------------------|-----------------------------|-----------------------------------|------------------------|--|
| Mandatory PCI register | 0x0 | Device ID | | Vendor ID | | |
| | 0x4 | Status Register | | Control Register | | |
| | 0x8 | Class Code (0x020000/0x010000) | | | Revision ID | |
| | 0xC | BIST (0x00) | Header Type (0x0/0x80) | Latency Timer | Cache Line Size (0x10) | |
| | 0x10 | Base Address Register 0 | | | | |
| | 0x14 | Base Address Register 1 | | | | |
| | 0x18 | Base Address Register 2 | | | | |
| | 0x1C | Base Address Register 3 | | | | |
| | 0x20 | Base Address Register 4 | | | | |
| | 0x24 | Base Address Register 5 | | | | |
| | 0x28 | CardBus CIS pointer (0x0000) | | | | |
| | 0x2C | Subsystem Device ID | | Subsystem Vendor ID | | |
| | 0x30 | Expansion ROM Base Address | | | | |
| | 0x34 | Reserved | | | Cap Ptr (0x40) | |
| | 0x38 | Reserved | | | | |
| 0x3C | Max Latency (0x00) | Min Grant (0x00) | Interrupt Pin (0x01...0x04) | Interrupt Line (0x00) | | |
| Power management capability | 0x40 | Power Management Capabilities | | Next Pointer (0x50) | Capability ID (0x01) | |
| | 0x44 | Data | Bridge Support Extensions | Power Management Control & Status | | |



Table 9-2. PCIe Configuration Registers Map (Continued)-

| Section | Byte Offset | Byte 3 | Byte 2 | Byte 1 | Byte 0 |
|----------------------|--------------|--|---------------|----------------------------------|----------------------|
| MSI capability | 0x50 | Message Control (0x0080) | | Next Pointer (0x70) | Capability ID (0x05) |
| | 0x54 | Message Address | | | |
| | 0x58 | Message Upper Address | | | |
| | 0x5C | Reserved | | Message Data | |
| | 0x60 | Mask bits | | | |
| | 0x64 | Pending bits | | | |
| MSI-X capability | 0x70 | Message Control (0x00090) | | Next Pointer (0xA0) | Capability ID (0x11) |
| | 0x74 | Table Offset | | | |
| | 0x78 | PBA offset | | | |
| CSR Access Registers | 0x98 | IOADDR | | | |
| | 0x9C | IODATA | | | |
| PCIe capability | 0xA0 | PCIe Capability Register (0x0002) | | Next Pointer (0xE0) | Capability ID (0x10) |
| | 0xA4 | Device Capability | | | |
| | 0xA8 | Device Status | | Device Control | |
| | 0xAC | Link Capabilities | | | |
| | 0xB0 | Link Status | | Link Control | |
| | 0xB4 | Reserved | | | |
| | 0xB8 | Reserved | | Reserved | |
| | 0xBC | Reserved | | | |
| | 0xC0 | Reserved | | Reserved | |
| | 0xC4 | Device Capability 2 | | | |
| | 0xC8 | Reserved | | Device Control 2 | |
| | 0xCC | Reserved | | | |
| | 0xD0 | Link Status 2 | | Link Control 2 | |
| | 0xD4 | Reserved | | | |
| | 0xD8 | Reserved | | Reserved | |
| VPD capability | 0xE0 | VPD address | | Next Pointer (0x00) | Capability ID (0x03) |
| | 0xE4 | VPD data | | | |
| AER capability | 0x100 | Next Capability Ptr. (0x140) | Version (0x2) | AER Capability ID (0x0001) | |
| | 0x104 | Uncorrectable Error Status | | | |
| | 0x108 | Uncorrectable Error Mask | | | |
| | 0x10C | Uncorrectable Error Severity | | | |
| | 0x110 | Correctable Error Status | | | |
| | 0x114 | Correctable Error Mask | | | |
| | 0x118 | Advanced Error Capabilities and Control Register | | | |
| | 0x11C: 0x128 | Header Log | | | |
| Serial ID capability | 0x140 | Next Capability Ptr. (0x1A0) | Version (0x1) | Serial ID Capability ID (0x0003) | |
| | 0x144 | Serial Number Register (Lower Dword) | | | |
| | 0x148 | Serial Number Register (Upper Dword) | | | |



Table 9-2. PCIe Configuration Registers Map (Continued)-

| Section | Byte Offset | Byte 3 | Byte 2 | Byte 1 | Byte 0 |
|--------------------------|--------------|---|---------------|---|--------|
| TPH Requester capability | 0x1A0 | Next Capability Ptr. (0x1C0) | Version (0x1) | TPH Capability ID (0x17) | |
| | 0x1A4 | TPH Requester Capability Register | | | |
| | 0x1A8 | TPH Requester Control Register | | | |
| | 0x1AC: 0x1B8 | TPH Steering Table | | | |
| LTR capability | 0x1C0 | Next Capability Ptr. (0x000) | Version (0x1) | LTR Capability ID (0x18) | |
| | 0x1C4 | Maximum Non-Snooped Platform Latency Tolerance Register | | Maximum Snooped Platform Latency Tolerance Register | |

A description of the registers is provided in the following sections.

9.3 Mandatory PCI Configuration Registers

9.3.1 Vendor ID (0x0; RO)

This value can be loaded automatically from Flash address 0x0E at power up or reset. A value of 0x8086 is the default for this field at power up if the Flash does not respond or is not programmed.

Note: To avoid a system hang situation, if a value of 0xFFFF is read from the Flash, the value of the Vendor ID field defaults back to 0x8086.

9.3.2 Device ID (0x2; RO)

This is a read-only register. This field identifies individual I210 functions. It can be auto-loaded from the Flash during initialization with a different value. The following table lists the possible values according to the SKU and functionality.

| PCI Function | Default Value | Flash Address | Description |
|--------------|--|---------------|--|
| LAN 0 | 0x1533 for I210 SKUs with a programmed Flash | 0x0D | 0x1531 - I210 with a blank Flash (tools only, not for driver) 0x1533 - I210 10/100/1000 Mb/s Ethernet controller, copper only ² 0x1534 - Reserved 0x1536 - I210 10/100/1000 Mb/s Ethernet controller, Fiber ³ 0x1537 - I210 10/100/1000 Mb/s Ethernet controller, 1000BASE-KX/BX backplane ⁴ 0x1538 - I210 10/100/1000 Mb/s Ethernet controller, External SGMII PHY ⁵ |

2. CTRL_EXT.Link_Mode field value 00b (10/100/1000 BASE-T internal PHY mode).

3. CTRL_EXT.Link_Mode field value 11b (SerDes).

4. CTRL_EXT.Link_Mode field value either 01b (1000BASE-KX) or 11b (SerDes - 1000BASE-BX). User option to enable Clause 37 Auto-negotiation.

5. CTRL_EXT.Link_Mode field value 10b (SGMII).



9.3.3 Command Register (0x4; R/W)

This is a read/write register.

| Bit(s) | R/W | Initial Value | Description |
|--------|------------------|---------------|--|
| 0 | R/W ¹ | 0b | I/O Access Enable |
| 1 | R/W | 0b | Memory Access Enable |
| 2 | R/W | 0b | Bus Master Enable (BME) |
| 3 | RO | 0b | Special Cycle Monitoring Hardwired to 0b. |
| 4 | RO | 0b | MWI Enable Hardwired to 0b. |
| 5 | RO | 0b | Palette Snoop Enable Hardwired to 0b. |
| 6 | RW | 0b | Parity Error Response |
| 7 | RO | 0b | Wait Cycle Enable Hardwired to 0b. |
| 8 | RW | 0b | SERR# Enable |
| 9 | RO | 0b | Fast Back-to-Back Enable |
| 10 | RW | 0b | Interrupt Disable ² |
| 15:11 | RO | 0x0 | Reserved |

1. If IO_Sup bit in PCIe Init Configuration 2 Flash Word (0x19) is 0, I/O Access Enable bit is RO with a value of 0.
2. The Interrupt Disable register bit is a read-write bit that controls the ability of a PCIe device to generate a legacy interrupt message. When set, devices are prevented from generating legacy interrupt messages.

9.3.4 Status Register (0x6; RO)

| Bits | R/W | Initial Value | Description |
|------|-------|---------------|--|
| 2:0 | | 000b | Reserved |
| 3 | RO | 0b | Interrupt Status ¹ |
| 4 | RO | 1b | New Capabilities Indicates that a device implements extended capabilities. The I210 sets this bit, and implements a capabilities list, to indicate that it supports PCI power management, Message Signaled Interrupts (MSI), Enhanced Message Signaled Interrupts (MSI-X), Vital Product Data (VPD), and the PCIe extensions. |
| 5 | | 0b | 66 MHz Capable Hardwired to 0b. |
| 6 | | 0b | Reserved |
| 7 | | 0b | Fast Back-to-Back Capable Hardwired to 0b. |
| 8 | R/W1C | 0b | Data Parity Reported |
| 10:9 | | 00b | DEVSEL Timing Hardwired to 0b. |
| 11 | R/W1C | 0b | Signaled Target Abort |
| 12 | R/W1C | 0b | Received Target Abort |
| 13 | R/W1C | 0b | Received Master Abort |
| 14 | R/W1C | 0b | Signaled System Error |
| 15 | R/W1C | 0b | Detected Parity Error |

1. The *Interrupt Status* field is a RO field that indicates that an interrupt message is pending internally to the device.



9.3.5 Revision (0x8; RO)

The default revision ID for the I210 A1 stepping is 0x01 and 0x03 for A2 stepping. The value of the rev ID is a logic XOR between the default value and the value in Flash word 0x1E.

9.3.6 Class Code (0x9; RO)

The class code is a RO hard coded value that identifies the I210’s functionality.

- 0x020000/0x010000 - Ethernet/SCSI Adapter¹

9.3.7 Cache Line Size (0xC; R/W)

This field is implemented by PCIe devices as a read-write field for legacy compatibility purposes but has no impact on any PCIe device functionality. Field is loaded from the *PCIe Init Configuration 3* (Word 0x1A) Flash word and defines cache line size in Dwords. In systems, the value is 0x10.

9.3.8 Latency Timer (0xD; RO)

Not used. Hardwired to zero.

9.3.9 Header Type (0xE; RO)

This indicates if a device is single function or multifunction. If a single LAN function is the only active one then this field has a value of 0x00 to indicate a single function device.

9.3.10 BIST (0xF; RO)

BIST is not supported in the I210.

9.3.11 Base Address Registers (0x10...0x27; R/W)

The Base Address registers (BARs) are used to map the I210 register space. The I210 has a memory BAR, IO BAR and MSI-X BAR described in [Table 9-3](#) below.

Table 9-3. Base Address Registers Description -

| Mapping Windows | Mapping Description |
|-----------------|---|
| Memory BAR | The internal registers memories and external Flash device are accessed as direct memory mapped offsets from the Base Address register. Software can access a Dword or 64 bits. The Flash space in this BAR is enabled by the FLBARSize and CSRSIZE fields in the BARCTRL register. Address 0 in the Flash device is mapped to address 128K in the Memory BAR. When the usable Flash size + CSR space is smaller than the memory BAR, then accessing addresses above the top of the Flash wraps back to the beginning of the Flash. |
| IO BAR | All internal registers and memories can be accessed using I/O operations. There are two 4-byte registers in the IO mapping window: Addr Reg and Data Reg accessible as Dword entities. I/O BAR support depends on the IO_Sup bit in the Flash "PCIe Init Configuration 2" word. |
| MSI-X BAR | The MSI-X vectors and Pending bit array (PBA) structures are accessed as direct memory mapped offsets from the MSI-X BAR. Software can access Dword entities. |

1. Selected according to bit 11 in *Device Rev ID* Flash word.



9.3.11.1 32-bit LAN BARs Mode Mapping

This mapping is selected when bit 10 in the *Functions Control* Flash word is equal to 1b.

Table 9-4. Base Address Setting in 32bit BARs Mode (*BARCTRL.BAR32* = 1b)

| BAR | Addr | 31 | 5 | 4 | 3 | 2 | 1 | 0 |
|-----|------|---|---|---|-----|---|---|---|
| 0 | 0x10 | Memory CSR + FLASH BAR (R/W - 31:17; RO - 16:4 (0x0)) | | | 0/1 | 0 | 0 | 0 |
| 1 | 0x14 | Reserved (read as all 0b's) | | | | | | |
| 2 | 0x18 | IO BAR (R/W - 31:5) | | 0 | 0 | 0 | 0 | 1 |
| 3 | 0x1C | MSI-X BAR (R/W - 31:14; RO - 13:4 (0x0)) | | | 0/1 | 0 | 0 | 0 |
| 4 | 0x20 | Reserved (read as all 0b's) | | | | | | |
| 5 | 0x24 | Reserved (read as all 0b's) | | | | | | |

9.3.11.2 64-bit LAN BARs Mode Mapping

This mapping is selected when bit 10 in the *Functions Control* Flash word is equal to 0b.

Table 9-5. Base Address Setting in 64bit BARs Mode (*BARCTRL.BAR32* = 0b)

| BAR | Addr | 31 | 5 | 4 | 3 | 2 | 1 | 0 |
|-----|------|---|---|---|-----|---|---|---|
| 0 | 0x10 | Memory CSR + FLASH BAR Low (RW - 31:17;RO - 16:4 (0x0)) | | | 0/1 | 1 | 0 | 0 |
| 1 | 0x14 | Memory CSR + FLASH BAR High (RW) | | | | | | |
| 2 | 0x18 | IO BAR (R/W - 31:5) | | 0 | 0 | 0 | 0 | 1 |
| 3 | 0x1C | Reserved (RO - 0) | | | | | | |
| 4 | 0x20 | MSI-X BAR Low (RW - 31:14; RO - 13:4 (0x0)) | | | 0/1 | 1 | 0 | 0 |
| 5 | 0x24 | MSI-X BAR High (RW) | | | | | | |

9.3.11.3 Base Address Register Fields

All base address registers have the following fields.

Table 9-6. Base Address Registers' Fields

| Field | Bits | R/W | Description |
|---------------------------|------|-----|---|
| Mem / IO Space Indication | 0 | RO | 0b = Indicates memory space. 1b = Indicates I/O. |
| Memory Type | 2:1 | RO | 00b = 32-bit BAR (<i>BAR32</i> in the Flash equals 1b) 10b = 64-bit BAR (<i>BAR32</i> in the Flash equals 0b) |
| Prefetch Memory | 3 | RO | 0b = Non-prefetchable space. 1b = Prefetchable space (device default). This bit is loaded from the PREFBAR bit in the Flash. This bit should be set only on systems that do not generate prefetchable cycles. |



Table 9-6. Base Address Registers' Fields

| Field | Bits | R/W | Description | |
|---|------|-----|--|--|
| Address Space (Low register for 64bit Memory BARs) | 31:4 | R/W | The length of the RW bits and RO 0b bits depend on the mapping window sizes. Init value of the RW fields is 0x0. | |
| | | | Mapping Window | RO bits |
| | | | Memory CSR + FLASH BAR size depends on BARCTRL.FLBARSize and BARCTRL.CSRSize fields. | 16:4 for 128KB 17:4 for 256KB and so on... |
| | | | MSI-X space is 16KB | 13:4 |
| | | | I/O spaces size is 32 bytes | 4 |

9.3.12 CardBus CIS (0x28; RO)

Not used. Hardwired to zero.

9.3.13 Subsystem Vendor ID (0x2C; RO)

This value can be loaded automatically from Flash address 0x0C at power up or reset. A value of 0x8086 is the default for this field at power up if the Flash does not respond or is not programmed.

9.3.14 Subsystem ID (0x2E; RO)

This value can be loaded automatically from Flash address 0x0B at power up with a default value of 0x0000.

9.3.15 Expansion ROM Base Address (0x30; RW)

This register is used to define the address and size information for boot-time access to the optional Flash memory. Expansion ROM is enabled by placing 0b in the *LAN Boot Disable* Flash bit. This register returns a zero value for function without an Expansion ROM window.

| Field | Bit(s) | R/W | Initial Value | Description |
|----------|--------|-----|---------------|---|
| En | 0 | RO | 0b | 1b = Enables Expansion ROM access. 0b = Disables Expansion ROM access. |
| Reserved | 10:1 | RO | 0b | Always read as 0b. Writes are ignored. |
| Address | 31:11 | R/W | 0b | Read-write bits are hard wired to 0b and dependent on the memory mapping window size. The LAN Expansion ROM spaces can be either 512 KB to 8 MB in powers of 2. Mapping window size is set by the <i>FLBAR_size</i> Flash field. Note: Increasing the <i>FLBAR_size</i> beyond 1 MB does not increase the Flash area that can be accessed through the EXPROM BAR (see Section 3.3.3.1). |



9.3.16 Cap_Ptr (0x34; RO)

The *Capabilities Pointer* field (Cap_Ptr) is an 8-bit field that provides an offset in the device's PCI configuration space for the location of the first item in the Capabilities Linked List (CLL). The I210 sets this bit and implements a capabilities list to indicate that it supports PCI power management, Message Signaled Interrupts (MSIs), and PCIe extended capabilities. Its value is 0x40, which is the address of the first entry: PCI power management.

9.3.17 Interrupt Line (0x3C; RW)

Read/write register programmed by software to indicate which of the system interrupt request lines this I210's interrupt pin is bound to. See the PCIe definition for more details.

9.3.18 Interrupt Pin (0x3D; RO)

Read only register. Always report INTA#.

9.3.19 Max_Lat/Min_Gnt (0x3E; RO)

Not used. Hardwired to zero.

9.4 PCI Capabilities

The first entry of the PCI capabilities link list is pointed by the Cap_Ptr register. The following tables describes the capabilities supported by the I210.

Table 9-7. PCI capabilities

| Address | Item | Next Pointer |
|-----------|-------------------------------------|------------------------|
| 0x40-47 | PCI Power Management | 0x50 |
| 0x50-67 | Message Signaled Interrupt | 0x70 |
| 0x70-8B | Extended Message Signaled Interrupt | 0xA0 |
| 0xA0-DB | PCIe Capabilities | 0xE0/0x00 ¹ |
| 0xE0-0xE7 | Vital Product Data Capability | 0x00 |

1. Next pointer is 0x00 if the VPD area in the Flash does not exist. In mode, the PCIe capability is the last capabilities section.

9.4.1 PCI Power Management Capability

All fields are reset on full power-up. All of the fields except *PME_En* and *PME_Status* are reset on exit from D3cold state. If aux power is not supplied, the *PME_En* and *PME_Status* fields also reset on exit from D3cold state.

See the detailed description for registers loaded from the Flash at initialization time. Behavior of some fields in this section depend on the *Power Management* bit in Flash word 0x0A.

| Byte Offset | Byte 3 | Byte 2 | Byte 1 | Byte 0 |
|-------------|-------------------------------|---------------------------|-----------------------------------|----------------------|
| 0x40 | Power Management Capabilities | | Next Pointer (0x50) | Capability ID (0x01) |
| 0x44 | Data | Bridge Support Extensions | Power Management Control & Status | |



9.4.1.1 Capability ID (0x40; RO)

This field equals 0x01 indicating the linked list item as being the PCI Power Management registers.

9.4.1.2 Next Pointer (0x41; RO)

This field provides an offset to the next capability item in the capability list. In LAN function, a value of 0x50 points to the MSI capability.

9.4.1.3 Power Management Capabilities - PMC (0x42; RO)

This field describes the I210’s functionality at the power management states as described in the following table. Note that each device function has its own register.

| Bits | Default | R/W | Description | | | | | | | | | | | | |
|--------------------|---|--------|---|-----------|---------------|-------|-----------------|----------------------|--------|--------------------|---------------------|--------|------------------|-----------------------------|--------|
| 15:11 | 01001b See value in description column | RO | <p>PME_Support - This 5-bit field indicates the power states in which the function might assert PME#. A value of 0b for any bit indicates that the function is not capable of asserting the PME# signal while in that power state.</p> <p>bit(11) X XXX1b - PME# can be asserted from D0 bit(12) X XX1Xb - PME# can be asserted from D1 bit(13) X X1XXb - PME# can be asserted from D2 bit(14) X 1XXXb - PME# can be asserted from D3hot bit(15) 1 XXXXb - PME# can be asserted from D3cold</p> <p>Value of bit 15 is a function of Aux Pwr availability and <i>Power Management (PM Ena)</i> bit in <i>Initialization Control Word 1</i> (word 0x0A) Flash word.</p> <table border="1"> <thead> <tr> <th>Condition</th> <th>Functionality</th> <th>Value</th> </tr> </thead> <tbody> <tr> <td>PM Dis in Flash</td> <td>No PME at all states</td> <td>00000b</td> </tr> <tr> <td>PM Ena & NoAux Pwr</td> <td>PME at D0 and D3hot</td> <td>01001b</td> </tr> <tr> <td>PM Ena & Aux Pwr</td> <td>PME at D0, D3hot and D3cold</td> <td>11001b</td> </tr> </tbody> </table> <p>Note: Aux Pwr is considered available if AUX_PWR pin is connected to 3.3V and <i>D3COLD_WAKEUP_ADVEN</i> Flash bit is set to 1b.</p> | Condition | Functionality | Value | PM Dis in Flash | No PME at all states | 00000b | PM Ena & NoAux Pwr | PME at D0 and D3hot | 01001b | PM Ena & Aux Pwr | PME at D0, D3hot and D3cold | 11001b |
| Condition | Functionality | Value | | | | | | | | | | | | | |
| PM Dis in Flash | No PME at all states | 00000b | | | | | | | | | | | | | |
| PM Ena & NoAux Pwr | PME at D0 and D3hot | 01001b | | | | | | | | | | | | | |
| PM Ena & Aux Pwr | PME at D0, D3hot and D3cold | 11001b | | | | | | | | | | | | | |
| 10 | 0b | RO | <p>D2_Support The I210 does not support D2 state.</p> | | | | | | | | | | | | |
| 9 | 0b | RO | <p>D1_Support The I210 does not support D1 state.</p> | | | | | | | | | | | | |
| 8:6 | 000b | RO | AUX Current – Required current defined in the Data Register. | | | | | | | | | | | | |
| 5 | 1b | RO | <p>DSI The I210 requires its device driver to be executed following transition to the D0 uninitialized state.</p> | | | | | | | | | | | | |
| 4 | 0b | RO | Reserved | | | | | | | | | | | | |
| 3 | 0b | RO | <p>PME_Clock Disabled. Hardwired to 0b.</p> | | | | | | | | | | | | |
| 2:0 | 011b | RO | <p>Version The I210 complies with the PCI PM specification, revision 1.2.</p> | | | | | | | | | | | | |

9.4.1.4 Power Management Control / Status Register - PMCSR (0x44; R/W)

This register is used to control and monitor power management events in the I210. Note that each device function has its own *PMCSR* register.



| Bits | Default | R/W | Description |
|-------|---------------------|--------|---|
| 15 | 0b (at power up) | R/W1CS | PME_Status This bit is set to 1b when the function detects a wake-up event independent of the state of the <i>PME_En</i> bit. Writing a 1b clears this bit. |
| 14:13 | 01b | RO | Data_Scale This field indicates the scaling factor to be used when interpreting the value of the Data register. This field equals 01b (indicating 0.1 watt units) if power management is enabled in the <i>Power Management (PM Ena)</i> bit in <i>Initialization Control Word 1</i> (word 0x0A) Flash word and the <i>Data_Select</i> field is set to 0, 3, 4, 7, (or 8). Otherwise, this field equals 00b. |
| 12:9 | 0000b | R/W | Data_Select This four-bit field is used to select which data is to be reported through the Data register and <i>Data_Scale</i> field. These bits are writable only when power management is enabled by setting the <i>Power Management (PM Ena)</i> bit in <i>Initialization Control Word 1</i> (word 0x0A) Flash word. |
| 8 | 0b (at power up) | R/WS | PME_En If power management is enabled in the Flash, writing a 1b to this register enables wake up. If power management is disabled in the Flash, writing a 1b to this bit has no effect and does not set the bit to 1b. |
| 7:4 | 000000b | RO | Reserved |
| 3 | 1b ¹ | RO | No_Soft_Reset No_Soft_Reset - When set ("1"), this bit indicates that when the I210 transitions from D3hot to D0 because of modifying <i>Power State</i> bits in the <i>PMCSR</i> register, no internal reset is issued and Configuration Context is preserved. Upon transition from the D3hot to the D0 Initialized state, no additional operating system intervention is required to preserve Configuration Context beyond writing the <i>Power State</i> bits. When clear ("0"), the I210 performs an internal reset upon transitioning from D3hot to D0 via software control of the <i>Power State</i> bits in the <i>PMCSR</i> register. Configuration Context is lost when performing the soft reset. Upon transition from the D3hot to the D0 state, full re initialization sequence is needed to return the device to D0 Initialized. Regardless of this bit, devices that transition from D3hot to D0 by a system or bus segment reset returns to the device state D0 Uninitialized with only PME context preserved if PME is supported and enabled. |
| 2 | 0b | RO | Reserved for PCIe. |
| 1:0 | 00b | R/W | Power State This field is used to set and report the power state of a function as follows: 00b = D0 01b = D1 (cycle ignored if written with this value) 10b = D2 (cycle ignored if written with this value) 11b = D3 (cycle ignored if power management is not enabled in the Flash) |

1. Loaded from Flash (See [Section 6.2.17](#)).

9.4.1.5 Bridge Support Extensions - PMCSR_BSE (0x46; RO)

This register is not implemented in the I210. Values are set to 0x00.

9.4.1.6 Data Register (0x47; RO)

This optional register is used to report power consumption and heat dissipation. Reported register is controlled by the *Data_Select* field in the PMCSR and the power scale is reported in the *Data_Scale* field in the PMCSR. The data of this field is loaded from the Flash if power management is enabled in the Flash or with a default value of 0x00. The values for the I210 are read from Flash word 0x22.



| Function | D0 (Consume/ Dissipate) | D3 (Consume/ Dissipate) | Common |
|-------------------|----------------------------|----------------------------|-----------------|
| PMCSR.Data Select | 0x0 / 0x4 | 0x3 / 0x7 | 0x8 |
| Function 0 | Flash addr 0x22 | Flash addr 0x22 | Flash addr 0x22 |

For other *Data_Select* values, the Data register output is reserved (0x0).

9.4.2 MSI Configuration

This structure is required for PCIe devices.

| Byte Offset | Byte 3 | Byte 2 | Byte 1 | Byte 0 |
|-------------|--------------------------|--------|---------------------|----------------------|
| 0x50 | Message Control (0x0180) | | Next Pointer (0x70) | Capability ID (0x05) |
| 0x54 | Message Address | | | |
| 0x58 | Message Upper Address | | | |
| 0x5C | Reserved | | Message Data | |
| 0x60 | Mask bits | | | |
| 0x64 | Pending bits | | | |

9.4.2.1 Capability ID (0x50; RO)

This field equals 0x05 indicating the linked list item as being the MSI registers.

9.4.2.2 Next Pointer (0x51; RO)

This field provides an offset to the next capability item in the capability list. Its value of 0x70 points to the MSI-X capability structure.

9.4.2.3 Message Control (0x52; R/W)

The register fields are described in the following table. There is a dedicated register per PCI function to separately enable their MSI.

| Bits | Default | R/W | Description |
|------|---------|-----|--|
| 0 | 0b | R/W | MSI Enable If set to 1b, equals MSI. In this case, the I210 generates an MSI for interrupt assertion instead of INTx signaling. |
| 3:1 | 000b | RO | Multiple Message Capable The I210 indicates a single requested message. |
| 6:4 | 000b | RO | Multiple Message Enable The I210 returns 000b to indicate that it supports a single message. |



| Bits | Default | R/W | Description |
|------|-----------------|-----|--|
| 7 | 1b | RO | 64-bit capable A value of 1b indicates that the I210 is capable of generating 64-bit message addresses. |
| 8 | 1b ¹ | RO | MSI per-vector masking. A value of 1b indicates that the I210 is capable of per-vector masking. This field is loaded from the <i>MSI-X Configuration</i> (Offset 0x16) Flash word. |
| 15:9 | 0b | RO | Reserved Write 0 ignore on read. |

1. Default value is read from the Flash.

9.4.2.4 Message Address Low (0x54; R/W)

Written by the system to indicate the lower 32 bits of the address to use for the MSI memory write transaction. The lower two bits always return 0b regardless of the write operation.

9.4.2.5 Message Address High (0x58; R/W)

Written by the system to indicate the upper 32-bits of the address to use for the MSI memory write transaction.

9.4.2.6 Message Data (0x5C; R/W)

Written by the system to indicate the lower 16 bits of the data written in the MSI memory write Dword transaction. The upper 16 bits of the transaction are written as 0b.

9.4.2.7 Mask bits (0x60; R/W)

The Mask Bits and Pending Bits registers enable software to disable or defer message sending on a per-vector basis. As the I210 supports only one message, only bit 0 of these register is implemented.

| Bits | Default | R/W | Description |
|------|---------|-----|--|
| 0 | 0b | R/W | MSI Vector 0 Mask If set, the I210 is prohibited from sending MSI messages. |
| 31:1 | 000b | RO | Reserved |

9.4.2.8 Pending Bits (0x64; R/W)

| Bits | Default | R/W | Description |
|------|---------|-----|---|
| 0 | 0b | RO | If set, the I210 has a pending MSI message. |
| 31:1 | 000b | RO | Reserved |

9.4.3 MSI-X Configuration

More than one MSI-X capability structure is prohibited, but a function is permitted to have both an MSI and an MSI-X capability structure.



In contrast to the MSI capability structure, which directly contains all of the control/status information for the function's vectors, the MSI-X capability structure instead points to an MSI-X table structure and a MSI-X Pending Bit Array (PBA) structure, each residing in memory space.

Each structure is mapped by a Base Address Register (BAR) belonging to the function, located beginning at 0x10 in configuration space. A BAR Indicator Register (BIR) indicates which BAR, and a Qword-aligned offset indicates where the structure begins relative to the base address associated with the BAR. The BAR is permitted to be either 32-bit or 64-bit, but must map to memory space. A function is permitted to map both structures with the same BAR, or to map each structure with a different BAR.

The MSI-X table structure, listed in [Section 8.9](#), typically contains multiple entries, each consisting of several fields: message address, message upper address, message data, and vector control. Each entry is capable of specifying a unique vector.

The PBA structure, described in the same section, contains the function's pending bits, one per Table entry, organized as a packed array of bits within Qwords. Note that the last Qword might not be fully populated.

To request service using a given MSI-X table entry, a function performs a Dword memory write transaction using:

- The contents of the Message Data field entry for data.
- The contents of the Message Upper Address field for the upper 32 bits of the address.
- The contents of the Message Address field entry for the lower 32 bits of the address.

A memory read transaction from the address targeted by the MSI-X message produces undefined results.

The MSI-X table and MSI-X PBA are permitted to co-reside within a naturally aligned 4 KB address range, though they must not overlap with each other.

MSI-X table entries and Pending bits are each numbered 0 through N-1, where N-1 is indicated by the Table Size field in the MSI-X Message Control register. For a given arbitrary MSI-X table entry K, its starting address can be calculated with the formula:

$$\text{Entry starting address} = \text{Table base} + K * 16$$

For the associated Pending bit K, its address for Qword access and bit number within that Qword can be calculated with the formulas:

$$\begin{aligned} \text{Qword address} &= \text{PBA base} + (K \text{ div } 64) * 8 \\ \text{Qword bit\#} &= K \text{ mod } 64 \end{aligned}$$

Software that chooses to read Pending bit K with Dword accesses can use these formulas:

$$\begin{aligned} \text{Dword address} &= \text{PBA base} + (K \text{ div } 32) * 4 \\ \text{Dword bit\#} &= K \text{ mod } 32 \end{aligned}$$

The I210 also supports the table-less MSI-X mode, where a single interrupt vector is provided. The MSI-X table and MSI-X PBA are not used. Instead, the capability structure includes several additional fields (Message Address, Message Address Upper, and Message Data) for vector configuration. The I210 embeds the number of the original MSI-X vectors (i.e. the vectors supported if the number of vectors was not limited to 1) in the LSB bits of the Message Data field.

**Table 9-8. MSI-X Capability Structure**

| Byte Offset | Byte 3 | Byte 2 | Byte 1 | Byte 0 |
|-------------|---------------------------|--------|---------------------|----------------------|
| 0x70 | Message Control (0x00090) | | Next Pointer (0xA0) | Capability ID (0x11) |
| 0x74 | Table Offset | | | |
| 0x78 | PBA offset | | | |

9.4.3.1 Capability ID (0x70; RO)

This field equals 0x11 indicating the linked list item as being the MSI-X registers.

9.4.3.2 Next Pointer (0x71; RO)

This field provides an offset to the next capability item in the capability list. Its value of 0xA0 points to the PCIe capability.

9.4.3.3 Message Control (0x72; R/W)

The register fields are described in the following table. There is a dedicated register per PCI function to separately configure their MSI-X functionality.

| Bits | Default | R/W | Description |
|-------|--------------------|-----|---|
| 10:0 | 0x004 ¹ | RO | <p>TS - Table Size</p> <p>System software reads this field to determine the MSI-X Table Size N, which is encoded as N-1. For example, a returned value of 0x00F indicates a table size of 16.</p> <p>The I210 supports 5 MSI-X vectors.</p> <p>This field is loaded from the <i>MSI-X Configuration</i> (Offset 0x16) Flash word.</p> |
| 13:11 | 000b | RO | <p>Reserved</p> <p>Always return 000b on read. Write operation has no effect.</p> |
| 14 | 0b | R/W | <p>FM - Function Mask</p> <p>If set to 1b, all of the vectors associated with the function are masked, regardless of their per-vector <i>Mask</i> bit states.</p> <p>If set to 0b, each vector's <i>Mask</i> bit determines whether the vector is masked or not.</p> <p>Setting or clearing the <i>MSI-X Function Mask</i> bit has no effect on the state of the per-vector <i>Mask</i> bits.</p> |
| 15 | 0b | R/W | <p>En - MSI-X Enable</p> <p>If set to 1b and the <i>MSI Enable</i> bit in the MSI Message Control (MMC) register is 0b, the function is permitted to use MSI-X to request service and is prohibited from using its INTx# pin.</p> <p>System configuration software sets this bit to enable MSI-X. A software device driver is prohibited from writing this bit to mask a function's service request.</p> <p>If set to 0b, the function is prohibited from using MSI-X to request service.</p> |

1. Default value is read from the Flash.



9.4.3.4 MSI-X Table Offset (0x74; R/W)

| Bits | Default | Type | Description |
|------|---------|------|--|
| 31:3 | 0x000 | RO | Table Offset Used as an offset from the address contained by one of the function's BARs to point to the base of the MSI-X table. The lower three table BIR bits are masked off (set to zero) by software to form a 32-bit Qword-aligned offset. |
| 2:0 | 0x3/0x4 | RO | Table BIR Indicates which one of a function's BARs, located beginning at 0x10 in configuration space, is used to map the function's MSI-X table into memory space. BIR values: 0...5 correspond to BARs 0x10...0x 24 respectively. A BIR value of 3 indicates that the table is mapped in BAR 3 (address 0x1C). When <i>BARCTRL.BAR32</i> equals 0b (64 bit MMIO mapping) the table BIR equals 0x4. When <i>BARCTRL.BAR32</i> equals 1b (32 bit MMIO mapping) the table BIR equals 0x3. |

9.4.3.5 MSI-X Pending Bit Array - PBA Offset (0x78; R/W)

| Bits | Default | Type | Description |
|------|---------|------|---|
| 31:3 | 0x400 | RO | PBA Offset Used as an offset from the address contained by one of the function's BARs to point to the base of the MSI-X PBA. The lower three PBA BIR bits are masked off (set to zero) by software to form a 32-bit Qword-aligned offset. |
| 2:0 | 0x3 | RO | PBA BIR: Indicates which one of a function's Base Address registers, located beginning at 10h in Configuration Space, is used to map the function's MSI-X PBA into Memory Space. BIR values: 0...5 correspond to BARs 0x10...0x 24 respectively. A BIR value of 3 indicates that the table is mapped in BAR 3 (address 0x1C). When <i>BARCTRL.BAR32</i> equals 0b (64 bit MMIO mapping) the table BIR equals 0x4. When <i>BARCTRL.BAR32</i> equals 1b (32 bit MMIO mapping) the table BIR equals 0x3. |

9.4.4 CSR Access Via Configuration Address Space

9.4.4.1 IOADDR Register (0x98; R/W)

This is a read/write register. Register is cleared at Power-up or PCIe reset.

Note: When function is in D3 state Software should not attempt to access CSRs via the *IOADDR* and *IODATA* registers.

| Bit(s) | R/W | Initial Value | Description |
|--------|------------------|---------------|---|
| 30:0 | R/W ¹ | 0x0 | Internal Register or Internal Memory location Address. 0x00000-0x1FFFF – Internal Registers and Memories 0x20000-0x7FFFFFFF – Undefined |
| 31 | R/W | 0b | Configuration IO Access Enable. 0b - CSR configuration read or write disabled. 1b - CSR Configuration read or write enabled When bit is set accesses to the IODATA register actually generate transactions to the device. Otherwise, accesses to the IODATA register are don't-cares (write are discarded silently, reads return arbitrary results). |

1. In the event that the *CSR_conf_en* bit in the *PCIe Init Configuration 2* Flash word is cleared, accesses to the *IOADDR* register via configuration address space is ignored and has no effect on the register and the CSRs referenced by the *IOADDR* register.



9.4.4.2 IODATA Register (0x9C; R/W)

This is a read/write register. Register is cleared at Power-up or PCIe reset.

| Bit(s) | R/W | Initial Value | Description |
|--------|------------------|---------------|---|
| 31:0 | R/W ¹ | 0x0 | Data field for reads or writes to the Internal register or internal memory location as identified by the current value in IOADDR. All 32 bits of this register are read/write-able. |

1. In the event that the *CSR_conf_en* bit in the *PCIe Init Configuration 2* Flash word is cleared, access to the *IODATA* register via configuration address space is ignored and has no effect on the register and the CSRs referenced by the *IOADDR* register.

9.4.5 Vital Product Data Registers

The I210 supports access to a VPD structure stored in the Flash using the following set of registers.

Note:

| Byte Offset | Byte 3 | Byte 2 | Byte 1 | Byte 0 |
|-------------|-------------|--------|---------------------|----------------------|
| 0xE0 | VPD address | | Next Pointer (0x00) | Capability ID (0x03) |
| 0xE4 | VPD data | | | |

9.4.5.1 Capability ID (0xE0; RO)

This field equals 0x3 indicating the linked list item as being the VPD registers.

9.4.5.2 Next Pointer (0xE1; RO)

Offset to the next capability item in the capability list. A 0x00 value indicates that it is the last item in the capability-linked list.

9.4.5.3 VPD Address (0xE2; RW)

Dword-aligned byte address of the VPD area in the Flash to be accessed. The register is read/write with the initial value at power-up indeterminate.

| Bits | Default | R/W | Description |
|------|---------|-----|---|
| 14:0 | X | RW | A Address Dword-aligned byte address of the VPD area in the Flash to be accessed. The register is read/write with the initial value at power-up indeterminate. The two LSBs are RO as zero. This is the address relative to the start of the VPD area. As the maximal size supported by the I210 is 1024 bytes, bits 14:10 should always be zero. |
| 15 | 0b | RW | F A flag used to indicate when the transfer of data between the VPD Data register and the storage component completes. The Flag register is written when the VPD Address register is written. 0b = Read. Set by the device when data is valid. 1b = Write. Cleared by the device when data is written to the Flash. The VPD address and data should not be modified before the action completes. |



9.4.5.4 VPD Data (0xE4; RW)

This register contains the VPD read/write data.

| Bits | Default | R/W | Description |
|------|---------|-----|--|
| 31:0 | X | RW | <p>VPD Data</p> <p>VPD data can be read or written through this register. The LSB of this register (at offset four in this capability structure) corresponds to the byte of VPD at the address specified by the VPD Address register. The data read from or written to this register uses the normal PCI byte transfer capabilities. Four bytes are always transferred between this register and the VPD storage component. Reading or writing data outside of the VPD space in the storage component is not allowed.</p> <p>In a write access, the data should be set before the address and the flag is set.</p> |

9.4.6 PCIe Configuration Registers

PCIe provides two mechanisms to support native features:

- PCIe defines a PCI capability pointer indicating support for PCIe.
- PCIe extends the configuration space beyond the 256 bytes available for PCI to 4096 bytes.

The I210 implements the PCIe capability structure for endpoint devices as follows:

9.4.6.1 Capability ID (0xA0; RO)

| Byte Offset | Byte 3 | Byte 2 | Byte 1 | Byte 0 |
|-------------|--|--------|--------------------------|----------------------|
| 0xA0 | PCI Express Capability Register (0x0002) | | Next Pointer (0xE0/0x00) | Capability ID (0x10) |
| 0xA4 | Device Capability | | | |
| 0xA8 | Device Status | | Device Control | |
| 0xAC | Link Capabilities | | | |
| 0xB0 | Link Status | | Link Control | |
| 0xB4 | Reserved | | | |
| 0xB8 | Reserved | | Reserved | |
| 0xBC | Reserved | | | |
| 0xC0 | Reserved | | Reserved | |
| 0xC4 | Device Capabilities 2 | | | |
| 0xC8 | Reserved | | Device Control 2 | |
| 0xCC | Reserved | | | |
| 0xD0 | Link Status 2 | | Link Control 2 | |
| 0xD4 | Reserved | | | |
| 0xD8 | Reserved | | Reserved | |

This field equals 0x10 indicating the linked list item as being the PCIe Capabilities registers.

9.4.6.2 Next Pointer (0xA1; RO)

Offset to the next capability item in the capability list. Its value of 0xE0 points to the VPD structure. If VPD is disabled, or operating in mode, a value of 0x00 value indicates that it is the last item in the capability-linked list.



9.4.6.3 PCIe CAP (0xA2; RO)

The PCIe capabilities register identifies the PCIe device type and associated capabilities. This is a read only register.

| Bits | Default | R/W | Description |
|-------|---------|-----|--|
| 3:0 | 0010b | RO | Capability Version Indicates the PCIe capability structure version number. The I210 supports both version 1 and version 2 as loaded from the PCIe <i>Capability Version</i> bit in the Flash. |
| 7:4 | 0000b | RO | Device/Port Type Indicates the type of PCIe function. a native PCI function with a value of 0000b. |
| 8 | 0b | RO | Slot Implemented The I210 does not implement slot options therefore this field is hardwired to 0b. |
| 13:9 | 00000b | RO | Interrupt Message Number The I210 does not implement multiple MSI interrupts, therefore this field is hardwired to 0x0. |
| 15:14 | 00b | RO | Reserved |

9.4.6.4 Device Capabilities (0xA4; RO)

This register identifies the PCIe device specific capabilities. It is a read only register.

| Bits | R/W | Default | Description |
|-------|-----|---------|---|
| 2:0 | RO | 010b | Max Payload Size Supported This field indicates the maximum payload that the I210 can support for TLPs. It is loaded from the Flash's <i>PCIe Init Configuration 3</i> word, 0x1A (with a default value of 512 bytes. See Section 6.2.16). |
| 4:3 | RO | 00b | Phantom Function Supported Not supported by the I210. |
| 5 | RO | 0b | Extended Tag Field Supported Max supported size of the <i>Tag</i> field. The I210 supported 5-bit <i>Tag</i> field. |
| 8:6 | RO | 011b | Endpoint L0s Acceptable Latency This field indicates the acceptable latency that the I210 can withstand due to the transition from the L0s state to the L0 state. value loaded from the Flash <i>PCIe Init Configuration 1</i> word, 0x18 (See Section 6.2.14). |
| 11:9 | RO | 110b | Endpoint L1 Acceptable Latency This field indicates the acceptable latency that the I210 can withstand due to the transition from the L1 state to the L0 state. value loaded from the Flash <i>PCIe L1 Exit latencies</i> word, 0x14 (See Section 6.2.11). |
| 12 | RO | 0b | Attention Button Present Hardwired in the I210 to 0b. |
| 13 | RO | 0b | Attention Indicator Present Hardwired in the I210 to 0b. |
| 14 | RO | 0b | Power Indicator Present Hardwired in the I210 to 0b. |
| 15 | RO | 1b | Role-Based Error Reporting This bit, when set, indicates that the I210 implements the functionality originally defined in the Error Reporting ECN for PCIe Base Specification 1.0a and later incorporated into PCIe Base Specification 1.1. Set to 1b in the I210. |
| 17:16 | RO | 000b | Reserved |
| 25:18 | RO | 0x00 | Slot Power Limit Value Hardwired in the I210 to 0x00, as the I210 consumes less than the 25 W allowed for its form factor. |



| Bits | R/W | Default | Description |
|-------|-----|-----------------|---|
| 27:26 | RO | 00b | Slot Power Limit Scale Hardwired in the I210 to 0b, as the I210 consumes less than the 25 W allowed for its form factor. |
| 28 | RO | 1b ¹ | Function Level Reset (FLR) Capability A value of 1b indicates the function supports the optional FLR mechanism. |
| 31:29 | RO | 000b | Reserved |

1. Loaded from Flash.

9.4.6.5 Device Control (0xA8; RW)

This register controls the PCIe specific parameters.

| Bits | R/W | Default | Description |
|------|-----|------------------|---|
| 0 | RW | 0b | Correctable Error Reporting Enable Enable report of correctable errors. |
| 1 | RW | 0b | Non-Fatal Error Reporting Enable Enable report of non fatal errors. |
| 2 | RW | 0b | Fatal Error Reporting Enable Enable report of fatal errors. |
| 3 | RW | 0b | Unsupported Request Reporting Enable Enable report of unsupported requests error. |
| 4 | RW | 1b | Enable Relaxed Ordering If this bit is set, the I210 is permitted to set the <i>Relaxed Ordering</i> bit in the attribute field of write transactions that do not need strong ordering. For more details, refer to the description about the RO_DIS bit in the CTRL_EXT register bit in Section 8.2.3 . |
| 7:5 | RW | 000b (128 bytes) | Max Payload Size This field sets maximum TLP payload size for the I210. As a receiver, the I210 must handle TLPs as large as the set value. As a transmitter, the I210 must not generate TLPs exceeding the set value. The max payload size supported in the I210 Device capabilities register indicates permissible values that can be programmed. Note: According to PCIe spec, this field shall not be reset on FLR. |
| 8 | RO | 0b | Extended Tag field Enable Not implemented in the I210. |
| 9 | RO | 0b | Phantom Functions Enable Not implemented in the I210. |
| 10 | RWS | 0b | Auxiliary Power PM Enable When set, enables the I210 to draw AUX power independent of PME AUX power. |



| Bits | R/W | Default | Description |
|-------|-----|---------|--|
| 11 | RW | 1b | Enable No Snoop Snoop is gated by <i>NONSNOOP</i> bits in the GCR register in the CSR space. |
| 14:12 | RW | 010b | Max Read Request Size - this field sets maximum read request size for the Device as a requester. 000b = 128 bytes 001b = 256 bytes. 010b = 512 bytes (the default value). 011b = 1 KB. 100b = Reserved. 101b = Reserved. 110b = Reserved. 111b = Reserved. |
| 15 | RW | 0b | Initiate Function Level Reset A write of 1b initiates an FLR to the function. The value read by software from this bit is always 0b. |

9.4.6.6 Device Status (0xAA; R/W1C)

This register provides information about PCIe device's specific parameters.

| Bits | R/W | Default | Description |
|------|-------|---------|--|
| 0 | R/W1C | 0b | Correctable Error Detected Indicates status of correctable error detection. |
| 1 | R/W1C | 0b | Non-Fatal Error Detected Indicates status of non-fatal error detection. |
| 2 | R/W1C | 0b | Fatal Error Detected Indicates status of fatal error detection. |
| 3 | R/W1C | 0b | Unsupported Request Detected Indicates that the I210 received an unsupported request. |
| 4 | RO | 0b | Aux Power Detected If aux power is detected, this field is set to 1b. It is a strapping signal from the periphery. Reset on LAN_PWR_GOOD and GIO Power Good only. |
| 5 | RO | 0b | Transactions Pending Indicates whether the I210 has any transaction pending. |
| 15:6 | RO | 0x00 | Reserved |



9.4.6.7 Link Capabilities Register (0xAC; RO)

This register identifies PCIe link specific capabilities. This is a read only register

| Bits | Rd/Wr | Default | Description |
|-------|-------|--|---|
| 3:0 | RO | 0010b | <p>Max Link Speed</p> <p>This field indicates the supported Link speed(s) of the associated link port. Defined encodings are:</p> <p>0001b = 2.5 Gb/s Link speed supported.</p> <p>0010b = Not supported (5 Gb/s and 2.5 Gb/s Link speeds)</p> |
| 9:4 | RO | 0x01 | <p>Max Link Width</p> <p>Indicates the maximum link width. The I210 can support by 1 link width.</p> <p>Relevant encoding:</p> <p>000000b = Reserved.</p> <p>000001b = x1.</p> <p>000010b = x2 Not supported.</p> <p>000100b = x4 Not supported.</p> |
| 11:10 | RO | 11b | <p>Active State Power Management (ASPM) Support – This field indicates the level of ASPM supported on the I210 PCI Express Link.</p> <p>Defined encodings are:</p> <p>00b = No ASPM Support.</p> <p>01b = L0s Supported.</p> <p>10b = L1 Supported.</p> <p>11b = L0s and L1 Supported.</p> |
| 14:12 | RO | Usage depended. See default values in Section 6.2.14 . | <p>L0s Exit Latency</p> <p>Indicates the exit latency from L0s to L0 state.</p> <p>000b = Less than 64ns.</p> <p>001b = 64ns – 128ns.</p> <p>010b = 128ns – 256ns.</p> <p>011b = 256ns - 512ns.</p> <p>100b = 512ns - 1 μs.</p> <p>101b = 1 μs – 2 μs.</p> <p>110b = 2 μs – 4 μs.</p> <p>111b = Reserved.</p> <p>Depending on usage of common clock or separate clock the value of this field is loaded from PCIe Init Config 1 Flash word, 0x18 (See Section 6.2.14).</p> |
| 17:15 | RO | Usage depended. See default values in Section 6.2.11 . | <p>L1 Exit Latency</p> <p>Indicates the exit latency from L1 to L0 state.</p> <p>000b = Less than 1 μs.</p> <p>001b = 1 μs - 2 μs.</p> <p>010b = 2 μs - 4 μs.</p> <p>011b = 4 μs - 8 μs.</p> <p>100b = 8 μs - 16 μs.</p> <p>101b = 16 μs - 32 μs.</p> <p>110b = 32 μs - 64 μs.</p> <p>111b = L1 transition not supported.</p> <p>Depending on usage of common clock or separate clock the value of this field is loaded from PCIe L1 Exit Latencies Flash word, 0x14 (See Section 6.2.11).</p> |
| 18 | RO | 0b | <p>Clock Power Management Status</p> <p>Not supported in the I210. RO as zero.</p> |
| 19 | RO | 0b | <p>Surprise Down Error Reporting Capable Status</p> <p>Not supported in the I210. RO as zero</p> |
| 20 | RO | 0b | <p>Data Link Layer Link Active Reporting Capable Status</p> <p>Not supported in the I210. RO as zero.</p> |



| Bits | Rd/Wr | Default | Description |
|-------|--------|---------|---|
| 21 | RO | 0b | Link Bandwidth Notification Capability Status Not supported in the I210. RO as zero. |
| 22 | RO | 1b | ASPM Optionality Compliance Software is permitted to use the value of this bit to help determine whether to enable ASPM or whether to run ASPM compliance tests. |
| 23 | RO | 00b | Reserved |
| 31:24 | HwInit | 0x0 | Port Number The PCIe port number for the given PCIe link. Field is set in the link training phase. |

9.4.6.8 Link Control Register (0xB0; RO)

This register controls PCIe link specific parameters.

| Bits | R/W | Default | Description |
|------|-----|---------|--|
| 1:0 | RW | 00b | Active State Power Management (ASPM) Control – This field controls the level of Active State Power Management (ASPM) supported on the I210 PCI Express Link. Defined encodings are: 00b = PM disabled. 01b = L0s entry supported. 10b = L1 Entry Enabled. 11b = L0s and L1 supported. Note: “L0s Entry Enabled” enables the Transmitter to enter L0s is supported. If L0s is supported, the Receiver must be capable of entering L0s even when the Transmitter is disabled from entering L0s (00b or 10b). According to PCIe spec, this field shall not be reset on FLR. |
| 2 | RO | 0b | Reserved |
| 3 | RW | 0b | Read Completion Boundary Read Completion Boundary (RCB) – Optionally Set by configuration software to indicate the RCB value of the Root Port Upstream from the Endpoint or Bridge. Defined encodings are: 0b = 64 byte 1b = 128 byte Configuration software must only Set this bit if the Root Port Upstream from the Endpoint or Bridge reports an RCB value of 128 bytes (a value of 1b in the Read Completion Boundary bit). |
| 4 | RO | 0b | Link Disable Not applicable for endpoint devices; hardwired to 0b. |
| 5 | RO | 0b | Retrain Clock Not applicable for endpoint devices; hardwired to 0b. |
| 6 | RW | 0b | Common Clock Configuration When this bit is set, it indicates that the I210 and the component at the other end of the link are operating with a common reference clock. A value of 0b indicates that both operate with an asynchronous clock. This parameter affects the L0s exit latencies. Note: According to PCIe spec, this field shall not be reset on FLR. |
| 7 | RW | 0b | Extended Synch When this bit is set, it forces an extended Tx of a FTS ordered set in FTS and an extra TS1 at exit from L0s prior to enter L0. Note: According to PCIe spec, this field shall not be reset on FLR. |
| 8 | RO | 0b | Enable Clock Power Management Not supported in the I210. RO as zero. |
| 9 | RO | 0b | Hardware Autonomous Width Disable Not supported in the I210. RO as zero. |



| Bits | R/W | Default | Description |
|-------|-----|---------|--|
| 10 | RO | 0b | Link Bandwidth Management Interrupt Enable Not supported in the I210. RO as zero. |
| 11 | RO | 0b | Link Autonomous Bandwidth Interrupt Enable Not supported in the I210. RO as zero. |
| 15:12 | RO | 0000b | Reserved |

9.4.6.9 Link Status (0xB2; RO)

This register provides information about PCIe link specific parameters. This is a read only register.

| Bits | R/W | Default | Description |
|------|--------|---------|---|
| 3:0 | RO | 0001b | Link Speed This field indicates the negotiated link speed of the given PCIe link. Defined encodings are: 0001b = 2.5 Gb/s PCIe link. 0010b = Not supported (5 Gb/s PCIe link). All other encodings are reserved. |
| 9:4 | RO | 000001b | Negotiated Link Width Indicates the negotiated width of the link. Relevant encoding for the I210 are: 000001b = x1 000010b = Not supported (x2) 000100b = Not supported (x4) |
| 10 | RO | 0b | Reserved (was: Link Training Error) |
| 11 | RO | 0b | Link Training Indicates that link training is in progress. |
| 12 | HwInit | 1b | Slot Clock Configuration When set, indicates that the I210 uses the physical reference clock that the platform provides on the connector. This bit must be cleared if the I210 uses an independent clock. The Slot Clock Configuration bit is loaded from the <i>Slot_Clock_Cfg</i> bit in <i>PCIe Init Configuration 3 Word</i> (Word 0x1A) Flash word. |
| 13 | RO | 0b | Data Link Layer Link Active Not supported in the I210. RO as zero. |
| 14 | RO | 0b | Link Bandwidth Management Status Not supported in the I210. RO as zero. |
| 15 | RO | 0b | Reserved |

9.4.6.10 Reserved (0xB4-0xC0; RO)

Unimplemented reserved registers not relevant to PCIe endpoint.

The following registers are supported only if the capability version is two and above.

9.4.6.11 Device Capabilities 2 (0xC4; RO)

This register identifies PCIe device specific capabilities.



| Bit Location | R/W | Default | Description |
|--------------|-----|------------------|---|
| 3:0 | RO | 1111b | Completion Timeout Ranges Supported This field indicates the I210 support for the optional completion timeout programmability mechanism. This mechanism enables system software to modify the completion timeout value. Description of the mechanism can be found in Section 3.1.3.2 . Four time value ranges are defined: <ul style="list-style-type: none"> • Range A = 50 μs to 10 ms • Range B = 10 ms to 250 ms • Range C = 250 ms to 4 s • Range D = 4 s to 64 s A value of 1111b indicates the I210 supports ranges A, B, C, & D. |
| 4 | RO | 1b | Completion Timeout Disable Supported A value of 1b indicates support for the completion timeout disable mechanism. |
| 5 | RO | 0b | ARI Forwarding Supported Applicable only to switch downstream ports and root ports; must be set to 0b for other function types. |
| 6 | RO | 0b | AtomicOp Routing Supported - not supported in the I210. |
| 7 | RO | 0b | 32-bit AtomicOp Completer Supported - not supported in the I210. |
| 8 | RO | 0b | 64-bit AtomicOp Completer Supported - not supported in the I210. |
| 9 | RO | 0b | 128-bit CAS Completer Supported - not supported in the I210. |
| 10 | RO | 0b | No RO-enabled PR-PR Passing - not supported in the I210. |
| 11 | RO | 1b ¹ | LTR Mechanism Supported - A value of 1b indicates support for the optional Latency Tolerance Requirement Reporting (LTR) mechanism capability. Note: Value loaded from LTR_EN bit in Initialization Control Word 1 Flash word. |
| 13:12 | RO | 00b | TPH Completer supported - the I210 does not use the hints as a completer |
| 17:14 | RO | 0x0 | Reserved |
| 19:18 | RO | 00b ¹ | Reserved |
| 31:20 | RO | 0x0 | Reserved |

1. Value loaded from Flash word.

9.4.6.12 Device Control 2 (0xC8; RW)

This register controls PCIe specific parameters.



| Bit location | R/W | Default | Description |
|--------------|-----|---------|---|
| 3:0 | RW | 0000b | <p>Completion Timeout Value¹</p> <p>In devices that support completion timeout programmability, this field enables system software to modify the completion timeout value.</p> <p>Encoding:</p> <ul style="list-style-type: none"> 0000b = Allowable default range: 50 μs to 50 ms. It is strongly recommended that the completion timeout mechanism not expire in less than 10 ms. Actual completion timeout range supported in the I210 is 16 ms to 32 ms. <p>Values available if Range A (50 μs to 10 ms) programmability range is supported:</p> <ul style="list-style-type: none"> 0001b = Allowable range is 50 μs to 100 μs. Actual completion timeout range supported in the I210 is 50 μs to 100 μs. 0010b = Allowable range is 1 ms to 10 ms. Actual completion timeout range supported in the I210 is 1 ms to 2 ms. <p>Values available if Range B (10 ms to 250 ms) programmability range is supported:</p> <ul style="list-style-type: none"> 0101b = Allowable range is 16 ms to 55 ms. Actual completion timeout range supported in the I210 is 16 ms to 32 ms. 0110b = Allowable range is 65 ms to 210 ms. Actual completion timeout range supported in the I210 is 65 ms to 130 ms. <p>Values available if Range C (250 ms to 4 s) programmability range is supported:</p> <ul style="list-style-type: none"> 1001b = Allowable range is 260 ms to 900 ms. Actual completion timeout range supported in the I210 is 260 ms to 520 ms. 1010b = Allowable range is 1 s to 3.5 s. Actual completion timeout range supported in the I210 is 1 s to 2 s. <p>Values available if the Range D (4 s to 64 s) programmability range is supported:</p> <ul style="list-style-type: none"> 1101b = Allowable range is 4 s to 13 s. Actual completion timeout range supported in the I210 is 4 s to 8 s. 1110b = Allowable range is 17 s to 64 s. Actual completion timeout range supported in the I210 is 17 s to 34 s. <p>Values not defined are reserved.</p> <p>Software is permitted to change the value in this field at any time. For requests already pending when the completion timeout value is changed, hardware is permitted to use either the new or the old value for the outstanding requests and is permitted to base the start time for each request either when this value was changed or when each request was issued.</p> <p>The default value for this field is 0000b.</p> |
| 4 | RW | 0b | <p>Completion Timeout Disable</p> <p>When set to 1b, this bit disables the completion timeout mechanism.</p> <p>Software is permitted to set or clear this bit at any time. When set, the completion timeout detection mechanism is disabled. If there are outstanding requests when the bit is cleared, it is permitted but not required for hardware to apply the completion timeout mechanism to the outstanding requests. If this is done, it is permitted to base the start time for each request on either the time this bit was cleared or the time each request was issued.</p> <p>The default value for this bit is 0b.</p> |
| 5 | RO | 0b | <p>Alternative RID Interpretation (ARI) Forwarding Enable</p> <p>Applicable only to switch devices.</p> |
| 6 | RO | 0b | AtomicOp Requester Enable - not supported in the I210. |
| 7 | RO | 0b | AtomicOp Egress Blocking - not supported in the I210. |
| 8 | RW | 0b | IDO Request Enable - If this bit is Set, the Function is permitted to set the ID-Based Ordering (IDO) bit (Attribute[2]) of Requests it initiates |
| 9 | RW | 0b | IDO Completion Enable - If this bit is Set, the Function is permitted to set the ID-Based Ordering (IDO) bit (Attribute[2]) of Completion it initiates |
| 10 | RW | 0b | <p>LTR Mechanism Enable – When Set to 1b, this bit enables the Latency Tolerance Requirement Reporting (LTR) mechanism.</p> <p>Notes:</p> <ul style="list-style-type: none"> If Value of <i>LTR_EN</i> bit in <i>Initialization Control Word 1</i> Flash word is 0, then bit is RO with a value of 0b. |



| Bit location | R/W | Default | Description |
|--------------|-----------|---------|-------------|
| 12:11 | RO | 0x0 | Reserved. |
| 14:13 | RW/ RO | 00b | Reserved. |
| 15 | RO | 0 | Reserved. |

- The completion timeout value must be programmed correctly in PCIe configuration space (in Device Control 2 Register); the value must be set above the expected maximum latency for completions in the system in which the I210 is installed. This ensures that the I210 receives the completions for the requests it sends out, avoiding a completion timeout scenario. It is expected that the system BIOS sets this value appropriately for the system.

9.4.6.13 Link Control 2 (0xD0; RW)

| Bits | R/W | Default | Description |
|------|-----|---------|--|
| 3:0 | RWS | 0001b | Target Link Speed. This field is used to set the target compliance mode speed when software is using the <i>Enter Compliance</i> bit to force a link into compliance mode. Defined encodings are: 0001b = 2.5 Gb/s Target Link Speed. 0010b = Not supported (5 Gb/s Target Link Speed). All other encodings are reserved. If a value is written to this field that does not correspond to a speed included in the <i>Max Link Speed</i> field, the result is undefined. The default value of this field is the highest link speed supported by the I210 (as reported in the <i>Max Link Speed</i> field of the Link Capabilities register). |
| 4 | RWS | 0b | Enter Compliance. Software is permitted to force a link to enter compliance mode at the speed indicated in the <i>Target Link Speed</i> field by setting this bit to 1b in both components on a link and then initiating a hot reset on the link. The default value of this field following a fundamental reset is 0b. |
| 5 | RO | 0b | Hardware Autonomous Speed Disable. When set to 1b, this bit disables hardware from changing the link speed for reasons other than attempting to correct unreliable link operation by reducing link speed. Bit is Hard wired to 0b. |
| 6 | RO | 0b | Selectable De-emphasis This bit is not applicable and reserved for Endpoints. |
| 9:7 | RWS | 000b | Transmit Margin This field controls the value of the non de emphasized voltage level at the Transmitter pins. Encodings: 000b = Normal operating range 001b = 800-1200 mV for full swing 010b = (n-1) - Values must be monotonic with a non-zero slope. The value of n must be greater than 3 and less than 7. At least two of these must be below the normal operating range of n: 200-400 mV for full-swing n = 111b reserved. Note: No support to half-swing (low-swing). |
| 10 | RWS | 0b | Enter Modified Compliance When this bit is set to 1b, the device transmits modified compliance pattern if the LTSSM enters Polling.Compliance state. |



| Bits | R/W | Default | Description |
|-------|-----|---------|---|
| 11 | RWS | 0b | Compliance SOS When set to 1b, the LTSSM is required to send SOS periodically in between the (modified) compliance patterns. |
| 12 | RWS | 0b | Compliance De-emphasis This bit sets the de-emphasis level in Polling.Compliance state if the entry occurred due to the Enter Compliance bit being 1b. Encodings: 1b -3.5 dB 0b -6 dB When the Link is operating at 2.5 GT/s, the setting of this bit has no effect. |
| 15:13 | RO | 0x0 | Reserved |

9.4.6.14 Link Status 2 (0xD2; RW)

| Bits | R/W | Default | Description |
|------|-----|---------|--|
| 0 | RO | 0b | Current De-emphasis Level – When the Link is operating at 5 GT/s speed, this bit reflects the level of de-emphasis. it is undefined when the Link is operating at 2.5 GT/s speed Encodings: 1b -3.5 dB 0b -6 dB |
| 15:1 | RO | 0x0 | Reserved |

9.5 PCIe Extended Configuration Space

PCIe extended configuration space is located in a flat memory-mapped address space. PCIe extends the configuration space beyond the 256 bytes available for PCI to 4096 bytes. The I210 decodes an additional 4-bits (bits 27:24) to provide the additional configuration space as shown in Table 9-9. PCIe reserves the remaining 4 bits (bits 31:28) for future expansion of the configuration space beyond 4096 bytes.

The configuration address for a PCIe device is computed using a PCI-compatible bus, device, and function numbers as follows.

Table 9-9. PCIe Extended Configuration Space

| 31 | 28 | 27 | 20 | 19 | 15 | 14 | 12 | 11 | 2 | 1 | 0 |
|-------|----|-------|----|----|----------|----|-------|---------------------------|---|-----|---|
| 0000b | | Bus # | | | Device # | | Fun # | Register Address (offset) | | 00b | |

PCIe extended configuration space is allocated using a linked list of optional or required PCIe extended capabilities following a format resembling PCI capability structures. The first PCIe extended capability is located at offset 0x100 in the device configuration space. The first Dword of the capability structure identifies the capability/version and points to the next capability.

The I210 supports the following PCIe extended capabilities.

**Table 9-10. PCIe Extended Capability Structure**

| Capability | Offset | Next Header ¹ |
|---|--------|--------------------------|
| Advanced Error Reporting | 0x100 | 0x140 |
| Serial Number | 0x140 | 0x1A0 |
| TLP processing hints | 0x1A0 | 0x1C0 |
| Latency Tolerance Requirement Reporting | 0x1C0 | 0x000 |

1. Some of the capabilities might be skipped if disabled via Flash.

9.5.1 Advanced Error Reporting (AER) Capability

The PCIe AER capability is an optional extended capability to support advanced error reporting. The following table lists the PCIe AER extended capability structure for PCIe devices.

| Byte Offset | Byte 3 | Byte 2 | Byte 1 | Byte 0 |
|----------------|--|---------------|----------------------------|--------|
| 0x100 | Next Capability Ptr. (0x140) ¹ | Version (0x2) | AER Capability ID (0x0001) | |
| 0x104 | Uncorrectable Error Status | | | |
| 0x108 | Uncorrectable Error Mask | | | |
| 0x10C | Uncorrectable Error Severity | | | |
| 0x110 | Correctable Error Status | | | |
| 0x114 | Correctable Error Mask | | | |
| 0x118 | Advanced Error Capabilities and Control Register | | | |
| 0x11C... 0x128 | Header Log | | | |

1. This value might change if the SEID capability is disabled. In this case the next header is the next enabled feature.

9.5.1.1 PCIe CAP ID (0x100; RO)

| Bit Location | Attribute | Default Value | Description |
|--------------|-----------|------------------|--|
| 15:0 | RO | 0x0001 | Extended Capability ID PCIe extended capability ID indicating AER capability. |
| 19:16 | RO | 0x2 ¹ | AER Capability Version PCIe AER extended capability version number. |
| 31:20 | RO | 0x140 | Next Capability Pointer Next PCIe extended capability pointer. A value of 0x140 points to the serial ID capability. |

1. Loaded from Flash (See [Section 6.2.19](#)).

9.5.1.2 Uncorrectable Error Status (0x104; R/W1CS)

The Uncorrectable Error Status register reports error status of individual uncorrectable error sources on a PCIe device. An individual error status bit that is set to 1b indicates that a particular error occurred; software can clear an error status by writing a 1b to the respective bit.



| Bit Location | Attribute | Default Value | Description |
|--------------|-----------|---------------|--|
| 3:0 | RO | 0x0 | Reserved |
| 4 | R/W1CS | 0b | Data Link Protocol Error Status |
| 5 | RO | 0b | Surprise Down Error Status (Optional) Not supported in the I210. |
| 11:6 | RO | 0x0 | Reserved |
| 12 | R/W1CS | 0b | Poisoned TLP Status |
| 13 | R/W1CS | 0b | Flow Control Protocol Error Status |
| 14 | R/W1CS | 0b | Completion Timeout Status |
| 15 | R/W1CS | 0b | Completer Abort Status |
| 16 | R/W1CS | 0b | Unexpected Completion Status |
| 17 | R/W1CS | 0b | Receiver Overflow Status |
| 18 | R/W1CS | 0b | Malformed TLP Status |
| 19 | R/W1CS | 0b | ECRC Error Status |
| 20 | R/W1CS | 0b | Unsupported Request Error Status |
| 21 | RO | 0b | ACS Violation Status Not supported in the I210. |
| 22 | RO | 0b | Uncorrectable Internal Error Status (Optional) Not supported in the I210. |
| 23 | RO | 0b | MC Blocked TLP Status (Optional) Not supported in the I210. |
| 24 | RO | 0b | AtomicOps Egress Blocked Status (Optional) Not supported in the I210. |
| 25 | RO | 0b | TLP Prefix Blocked Error Status (Optional) Not supported in the I210. |
| 31:26 | RO | 0x0 | Reserved |

9.5.1.3 Uncorrectable Error Mask (0x108; RWS)

The Uncorrectable Error Mask register controls reporting of individual uncorrectable errors by device to the host bridge via a PCIe error message. A masked error (respective bit set in mask register) is not reported to the host bridge by an individual device. There is a mask bit per bit in the Uncorrectable Error Status register.

| Bit Location | Attribute | Default Value | Description |
|--------------|-----------|---------------|---|
| 3:0 | RO | 0x0 | Reserved |
| 4 | RWS | 0b | Data Link Protocol Error Mask |
| 5 | RO | 0b | Surprise Down Error Mask (Optional) Not supported in the I210. |
| 11:6 | RO | 0x0 | Reserved |
| 12 | RWS | 0b | Poisoned TLP Mask |
| 13 | RWS | 0b | Flow Control Protocol Error Mask |
| 14 | RWS | 0b | Completion Timeout Mask |
| 15 | RWS | 0b | Completer Abort Mask |
| 16 | RWS | 0b | Unexpected Completion Mask |



| Bit Location | Attribute | Default Value | Description |
|--------------|-----------|---------------|--|
| 17 | RWS | 0b | Receiver Overflow Mask |
| 18 | RWS | 0b | Malformed TLP Mask |
| 19 | RWS | 0b | ECRC Error Mask |
| 20 | RWS | 0b | Unsupported Request Error Mask |
| 21 | RO | 0b | ACS Violation Mask Not supported in the I210. |
| 22 | RO | 0b | Uncorrectable Internal Error Mask (Optional) Not supported in the I210. |
| 23 | RO | 0b | MC Blocked TLP Mask (Optional) Not supported in the I210. |
| 24 | RO | 0b | AtomicOps Egress Blocked Mask (Optional) Not supported in the I210. |
| 25 | RO | 0b | TLP Prefix Blocked Error Mask (Optional) Not supported in the I210. |
| 31:26 | RO | 0x0 | Reserved |

9.5.1.4 Uncorrectable Error Severity (0x10C; RWS)

The Uncorrectable Error Severity register controls whether an individual uncorrectable error is reported as a fatal error. An uncorrectable error is reported as fatal when the corresponding error bit in the severity register is set. If the bit is cleared, the corresponding error is considered non-fatal.

| Bit Location | Attribute | Default Value | Description |
|--------------|-----------|---------------|--|
| 3:0 | RO | 0001b | Reserved |
| 4 | RWS | 1b | Data Link Protocol Error Severity |
| 5 | RO | 1b | Surprise Down Error Severity (Optional) Not supported in the I210. |
| 11:6 | RO | 0x0 | Reserved |
| 12 | RWS | 0b | Poisoned TLP Severity |
| 13 | RWS | 1b | Flow Control Protocol Error Severity |
| 14 | RWS | 0b | Completion Timeout Severity |
| 15 | RWS | 0b | Completer Abort Severity |
| 16 | RWS | 0b | Unexpected Completion Severity |
| 17 | RWS | 1b | Receiver Overflow Severity |
| 18 | RWS | 1b | Malformed TLP Severity |
| 19 | RWS | 0b | ECRC Error Severity |
| 20 | RWS | 0b | Unsupported Request Error Severity |
| 21 | RO | 0b | ACS Violation Severity Not supported in the I210. |
| 22 | RO | 1b | Uncorrectable Internal Error Severity (Optional) Not supported in the I210. |
| 23 | RO | 0b | MC Blocked TLP Severity (Optional) Not supported in the I210. |



| Bit Location | Attribute | Default Value | Description |
|--------------|-----------|---------------|--|
| 24 | RO | 0b | AtomicOps Egress Blocked Severity (Optional) Not supported in the I210. |
| 25 | RO | 0b | TLP Prefix Blocked Error Severity (Optional) Not supported in the I210. |
| 31:26 | RO | 0x0 | Reserved |

9.5.1.5 Correctable Error Status (0x110; R/W1CS)

The Correctable Error Status register reports error status of individual correctable error sources on a PCIe device. When an individual error status bit is set to 1b, it indicates that a particular error occurred; software can clear an error status by writing a 1b to the respective bit.

| Bit Location | Attribute | Default Value | Description |
|--------------|-----------|---------------|--|
| 0 | R/W1CS | 0b | Receiver Error Status |
| 5:1 | RO | 0x0 | Reserved |
| 6 | R/W1CS | 0b | Bad TLP Status |
| 7 | R/W1CS | 0b | Bad DLLP Status |
| 8 | R/W1CS | 0b | REPLAY_NUM Rollover Status |
| 11:9 | RO | 000 | Reserved |
| 12 | R/W1CS | 0b | Replay Timer Timeout Status |
| 13 | R/W1CS | 0b | Advisory Non-Fatal Error Status |
| 14 | RO | 0b | Corrected Internal Error Status (Optional) Not supported in the I210. |
| 15 | RO | 0b | Header Log Overflow Status (Optional) Not supported in the I210. |
| 31:16 | RO | 0x0 | Reserved |

9.5.1.6 Correctable Error Mask (0x114; RWS)

The Correctable Error Mask register controls reporting of individual correctable errors by device to the host bridge via a PCIe error message. A masked error (respective bit set in mask register) is not reported to the host bridge by an individual device. There is a mask bit per bit in the Correctable Error Status register.

| Bit Location | Attribute | Default Value | Description |
|--------------|-----------|---------------|---|
| 0 | RWS | 0b | Receiver Error Mask |
| 5:1 | RO | 0x0 | Reserved |
| 6 | RWS | 0b | Bad TLP Mask |
| 7 | RWS | 0b | Bad DLLP Mask |
| 8 | RWS | 0b | REPLAY_NUM Rollover Mask |
| 11:9 | RO | 000b | Reserved |
| 12 | RWS | 0b | Replay Timer Timeout Mask |
| 13 | RWS | 1b | Advisory Non-Fatal Error Mask. This bit is Set by default to enable compatibility with software that does not comprehend Role-Based Error Reporting. |



| Bit Location | Attribute | Default Value | Description |
|--------------|-----------|---------------|--|
| 14 | RO | 0b | Corrected Internal Error Mask (Optional) Not supported in the I210. |
| 15 | RO | 0b | Header Log Overflow Mask (Optional) Not supported in the I210. |
| 31:16 | RO | 0x0 | Reserved |

9.5.1.7 Advanced Error Capabilities and Control Register (0x118; RWS)

| Bit Location | Attribute | Default Value | Description |
|--------------|-----------|---------------|--|
| 4:0 | ROS | 0x0 | First Error Pointer The First Error Pointer is a field that identifies the bit position of the first error reported in the Uncorrectable Error Status register. |
| 5 | RO | 1b | ECRC Generation Capable This bit indicates that the I210 is capable of generating ECRC. This bit is loaded from Flash PCIe Control 2 word (Word 0x28). |
| 6 | RWS | 0b | ECRC Generation Enable When set, enables ECRC generation. |
| 7 | RO | 1b | ECRC Check Capable If Set, this bit indicates that the Function is capable of checking ECRC. This bit is loaded from Flash PCIe Control 2 word (Word 0x28). |
| 8 | RWS | 0b | ECRC Check Enable When set, enables ECRC checking. |
| 9 | RO | 0b | Multiple Header Recording Capable – If Set, this bit indicates that the Function is capable of recording more than one error header. |
| 10 | RO | 0b | This bit enables the Function to record more than one error header. |
| 11 | RO | 0b | TLP Prefix Log Present If Set and the First Error Pointer is valid, indicates that the TLP Prefix Log register contains valid information. If Clear or if First Error Pointer is invalid, the TLP Prefix Log register is undefined. Default value of this bit is 0b. This bit is RsvdP if the End-End TLP Prefix Supported bit is Clear. |
| 31:12 | RO | 0x0 | Reserved |

9.5.1.8 Header Log (0x11C:0x128; RO)

The Header Log register captures the header for the transaction that generated an error. This register is 16 bytes in length.

| Bit Location | Attribute | Default Value | Description |
|--------------|-----------|---------------|--|
| 127:0 | ROS | 0b | Header of the packet in error (TLP or DLLP). |



9.5.2 Serial Number

The PCIe device serial number capability is an optional extended capability that can be implemented by any PCIe device. The device serial number is a read-only 64-bit value that is unique for a given PCIe device.

Note: The I210 does not support this capability in an configuration.

| Byte Offset | Byte 3 | Byte 2 | Byte 1 | Byte 0 |
|-------------|--|---------------|----------------------------------|--------|
| 0x140 | Next Capability Ptr. 0x1A0 ¹ | Version (0x1) | Serial ID Capability ID (0x0003) | |
| 0x144 | Serial Number Register (Lower Dword) | | | |
| 0x148 | Serial Number Register (Upper Dword) | | | |

1. This value might change if the TPH capability is disabled. In this case the next header is the next enabled feature.

9.5.2.1 Device Serial Number Enhanced Capability Header (0x140; RO)

The following table lists the allocation of register fields in the device serial number enhanced capability header. It also lists the respective bit definitions. The extended capability ID for the device serial number capability is 0x0003.

| Bit(s) Location | Default value | Attributes | Description |
|-----------------|---------------|------------|--|
| 15:0 | 0x0003 | RO | PCIe Extended Capability ID This field is a PCI-SIG defined ID number that indicates the nature and format of the extended capability. The extended capability ID for the device serial number capability is 0x0003. |
| 19:16 | 0x1 | RO | Capability Version This field is a PCI-SIG defined version number that indicates the version of the current capability structure. |
| 31:20 | 0x1A0 | RO | Next Capability Offset This field contains the offset to the next PCIe capability structure or 0x000 if no other items exist in the linked list of capabilities. |

9.5.2.2 Serial Number Register (0x144:0x148; RO)

The Serial Number register is a 64-bit field that contains the IEEE defined 64-bit extended unique identifier (EUI-64™). [Table 9-11](#) lists the allocation of register fields in the Serial Number register. [Table 9-11](#) also lists the respective bit definitions.

Table 9-11. Serial Number Register

| | |
|--------------|--------------------------------------|
| 31:0 | Serial Number Register (Lower Dword) |
| | Serial Number Register (Upper word) |
| 63:32 | |



Serial number definition in the I210:

Table 9-12. SN Definition

| Bit(s) Location | Attributes | Description |
|-----------------|------------|---|
| 63:0 | RO | PCIe Device Serial Number This field contains the IEEE defined 64-bit extended unique identifier (EUI-64™). This identifier includes a 24-bit company ID value assigned by IEEE registration authority and a 40-bit extension identifier assigned by the manufacturer. |

Serial number uses the MAC address according to the following definition:

| Field | Extension identifier | | | | | Company ID | | |
|-------|-----------------------|--------|--------|--------|--------|------------------------|--------|--------|
| Order | Addr+0 | Addr+1 | Addr+2 | Addr+3 | Addr+4 | Addr+5 | Addr+6 | Addr+7 |
| | Most significant byte | | | | | Least significant byte | | |
| | Most significant bit | | | | | Least significant bit | | |

The serial number can be constructed from the 48-bit MAC address in the following form:

| Field | Extension identifier | | | MAC Label | | Company ID | | |
|-------|------------------------|--------|--------|-----------|--------|------------------------|--------|--------|
| Order | Addr+0 | Addr+1 | Addr+2 | Addr+3 | Addr+4 | Addr+5 | Addr+6 | Addr+7 |
| | Most significant bytes | | | | | Least significant byte | | |
| | Most significant bit | | | | | Least significant bit | | |

The MAC label in this case is 0xFFFF.

For example, assume that the company ID is (Intel) 00-A0-C9 and the extension identifier is 23-45-67. In this case, the 64-bit serial number is:

| Field | Extension identifier | | | MAC Label | | Company ID | | |
|-------|-----------------------|--------|--------|-----------|--------|------------------------|--------|--------|
| Order | Addr+0 | Addr+1 | Addr+2 | Addr+3 | Addr+4 | Addr+5 | Addr+6 | Addr+7 |
| | 67 | 45 | 23 | FF | FF | C9 | A0 | 00 |
| | Most significant byte | | | | | Least significant byte | | |
| | Most significant bit | | | | | Least significant bit | | |

The MAC address is the MAC address as loaded from the Flash into the RAL and RAH registers.

The translation from Flash words 0 to 2 to the serial number is as follows:

- Serial number ADDR+0 = Flash byte 5
- Serial number ADDR+1 = Flash byte 4
- Serial number ADDR+2 = Flash byte 3
- Serial number ADDR+3 and 4 = 0xFF 0xFF
- Serial number ADDR+5 = Flash byte 2
- Serial number ADDR+6 = Flash byte 1



- Serial number ADDR +7 = Flash byte 0

The official document defining EUI-64 is: <http://standards.ieee.org/regauth/oui/tutorials/EUI64.html>

9.5.3 TLP Processing Hint Requester (TPH) Capability

The PCIe TPH Requester capability is an optional extended capability to support TLP Processing Hints. The following table lists the PCIe TPH extended capability structure for PCIe devices.

| Byte Offset | Byte 3 | Byte 2 | Byte 1 | Byte 0 |
|-------------|---|---------------|--------------------------|--------|
| 0x1A0 | Next Capability Ptr. (0x1C0 ¹) | Version (0x1) | TPH Capability ID (0x17) | |
| 0x1A4 | TPH Requester Capability Register | | | |
| 0x1A8 | TPH Requester Control Register | | | |
| 0x1AC-0x1B8 | TPH ST Table | | | |

1.

9.5.3.1 TPH CAP ID (0x1A0; RO)

| Bit Location | Attribute | Default Value | Description |
|--------------|-----------|--------------------|--|
| 15:0 | RO | 0x17 | Extended Capability ID PCIe extended capability ID indicating TPH capability. |
| 19:16 | RO | 0x1 | Version Number PCIe TPH extended capability version number. |
| 31:20 | RO | 0x1C0 ¹ | Next Capability Pointer This field contains the offset to the next PCIe capability structure. If LTR is enabled in Flash then value of this field is 0x1C0 to point to the LTR capability structure. |

1. Depends on Flash settings of the *LTR_EN* bit in *Initialization Control Word 1* Flash word, that controls enabling of the LTR structures.



9.5.3.2 TPH Requester Capabilities (0x1A4; RO)

| Bit Location | Attribute | Default Value | Description |
|--------------|-----------|---------------|---|
| 0 | RO | 1 | No ST Mode Supported: When set indicates the Function is capable of generating Requests without using ST. |
| 1 | RO | 0 | Interrupt Vector Mode Supported: Cleared to indicate that the I210 does not support Interrupt Vector Mode of operation. |
| 2 | RO | 1 | Device Specific Mode: Set to indicate that the I210 supports Device Specific Mode of operation. |
| 7:3 | RO | 0 | Reserved |
| 8 | RO | 0 | Extended TPH Requester Supported – Cleared to indicate that the function is not capable of generating requests with Extended TPH TLP Prefix. |
| 10:9 | RO | 01b | ST Table Location – Value indicates if and where the ST Table is located. Defined Encodings are: 00b: ST Table is not present. 01b: ST Table is located in the TPH Requester Capability structure. 10b: ST Table is located in the MSI-X Table structure. 11b: Reserved Default value of 01b indicates that function supports ST table that's located in the TPH Requester Capability structure. |
| 15:11 | RO | 0x0 | Reserved |
| 26:16 | RO | 0x7 | ST_Table Size – System software reads this field to determine the ST_Table_Size N, which is encoded as N-1. The I210 supports a table with 8 entries. |
| 31:27 | RO | 0x0 | Reserved |

9.5.3.3 TPH Requester Control (0x1A8; R/W)

| Bit Location | Attribute | Default Value | Description |
|--------------|-----------|---------------|---|
| 2:0 | RW | 0x0 | ST Mode Select – Indicates the ST mode of operation selected. The ST mode encodings are as defined below 000b – No Table Mode 001b – Interrupt Vector Mode (not supported by the I210) 010b – Device Specific Mode Others – reserved for future use The default value of 000 indicates No Table mode of operation. |
| 7:3 | RO | 0x0 | Reserved |
| 9:8 | RW | 0x0 | TPH Requester Enable: Defined Encodings are: 00b: The I210 is not permitted to issue transactions with TPH or Extended TPH as Requester 01b: The I210 is permitted to issue transactions with TPH as Requester and is not permitted to issue transactions with Extended TPH as Requester 10b: Reserved 11b: The I210 is permitted to issue transactions with TPH and Extended TPH as Requester (the I210 does not issue transactions with Extended TPH). |
| 31:10 | RO | 0x0 | Reserved |



9.5.3.4 TPH Steering Table (0x1AC - 0x1B8; R/W)

| Bit Location | Attribute | Default Value | Description |
|--------------|-----------|---------------|---|
| 7:0 | RW | 0x0 | Steering Table Lower Entry $2*n$ ($n = 0...3$). A value of zero indicates the tag is not valid |
| 15:8 | RO | 0x0 | Steering Table Upper Entry $2*n$ ($n = 0...3$) - RO zero in the I210, as extended tags are not supported. |
| 23:16 | RW | 0x0 | Steering Table Entry $2*n + 1$ ($n = 0...3$) - A value of zero indicates the tag is not valid |
| 31:24 | RO | 0x0 | Steering Table Upper Entry $2*n + 1$ ($n = 0...3$) - RO zero in the I210, as extended tags are not supported. |

9.5.4 Latency Tolerance Requirement Reporting (LTR) Capability

The PCI Express Latency Tolerance Requirement Reporting Capability is an optional Extended Capability that allows software to provide platform latency information to devices with upstream ports (Endpoints and Switches). This capability structure is required if the device supports Latency Tolerance Requirement Reporting (LTR).

The following table lists the PCIe LTR extended capability structure for PCIe devices.

| Byte Offset | Byte 3 | Byte 2 | Byte 1 | Byte 0 |
|-------------|---|---------------|---|--------|
| 0x1C0 | Next Capability Ptr. (0x000) | Version (0x1) | LTR Capability ID (0x18) | |
| 0x1C4 | Maximum Non-Snooped Platform Latency Tolerance Register | | Maximum Snooped Platform Latency Tolerance Register | |



9.5.4.1 LTR CAP ID (0x1C0; RO)

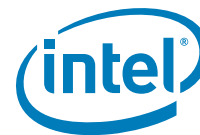
| Bit Location | Attribute | Default Value | Description |
|--------------|-----------|---------------|---|
| 15:0 | RO | 0x18 | LTR Capability ID PCIe extended capability ID indicating LTR capability. |
| 19:16 | RO | 0x1 | Version Number PCIe LTR extended capability version number. |
| 31:20 | RO | 0x000 | Next Capability Pointer |

9.5.4.2 LTR Capabilities (0x1C4; RW)

| Bit Location | Attribute | Default Value | Description |
|--------------|-----------|---------------|--|
| 9:0 | RW | 0x0 | Maximum Snoop Latency Value Along with the Max Snoop Latency Scale field, this register specifies the maximum nosnoop latency that a device is permitted to request. Software should set this to the platform's maximum supported latency or less. Field is also an indicator of the platforms maximum latency, should an endpoint send up LTR Latency Values with the Requirement bit not set. |
| 12:10 | RW | 0x0 | Max Snoop Latency Scale This field provides a scale for the value contained within the Maximum Snoop Latency Value field. Encoding: 000 – Value times 1ns 001 – Value times 32ns 010 – Value times 1,024ns 011 – Value times 32,768ns 100 – Value times 1,048,576ns 101 – Value times 33,554,432ns 110-111 – Not Permitted |
| 15:13 | RO | 0x0 | Reserved |
| 25:16 | RW | 0x0 | Max No-Snoop Latency Value Along with the Max No-Snoop Latency Scale field, this register specifies the maximum no-snoop latency that a device is permitted to request. Software should set this to the platform's maximum supported latency or less. Field is also an indicator of the platforms maximum latency, should an endpoint send up LTR Latency Values with the Requirement bit not set. |
| 28:26 | RW | 0x0 | Max No-Snoop Latency Scale — This register provides a scale for the value contained within the Maximum Non-Snoop Latency Value field. Encoding: 000 – Value times 1 ns 001 – Value times 32 ns 010 – Value times 1,024 ns 011 – Value times 32,768 ns 100 – Value times 1,048,576 ns 101 – Value times 33,554,432 ns 110-111 – Not Permitted |
| 31:29 | RO | 0x0 | Reserved. |



Note: This page intentionally left blank.



10.0 System Manageability

Network management is an important requirement in today's networked computer environment. Software-based management applications provide the ability to administer systems while the operating system is functioning in a normal power state (not in a pre-boot state or powered-down state). The Intel® Out of Band Management fill the management void that exists when the operating system is not running or fully functional. This is accomplished by providing mechanisms by which manageability network traffic can be routed to and from a Management Controller (MC).

This chapter describes the supported management interfaces and hardware configurations for platform system management. It describes the interfaces to an external MC, the partitioning of platform manageability among system components, and the functionality provided by in each platform configuration.

10.1 Pass-Through (PT) Functionality

Pass-Through (PT) is the term used when referring to the process of sending and receiving Ethernet traffic over the sideband interface. The I210 has the ability to route Ethernet traffic to the host operating system as well as the ability to send Ethernet traffic over the sideband interface to an external MC. See [Figure 10-1](#).

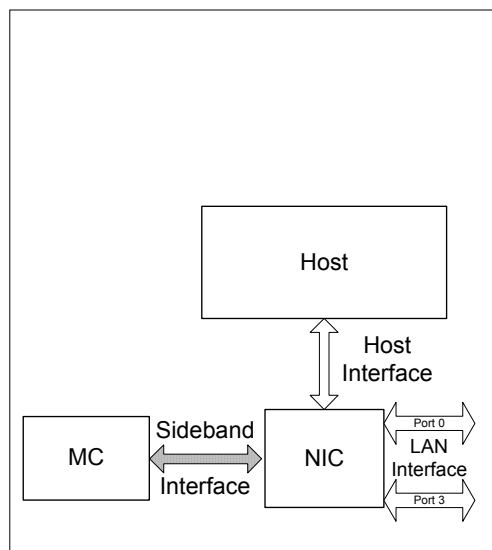


Figure 10-1. Sideband Interface



The sideband interface provides a mechanism by which the I210 can be shared between the host and the MC. By providing this sideband interface, the MC can communicate with the LAN without requiring a dedicated Ethernet controller. The I210 supports two sideband interfaces:

- SMBus
- NC-SI
- PCIe (together with MCTP) - when the system is up.

The usable bandwidth for either direction is up to 1 Mb/s when using SMBus and 100 Mb/s for the NC-SI interface. When working over PCIe, the bandwidth is limited by the PCIe bandwidth and the I210 processing capabilities. The I210 should support MCTP over PCIe pass-through traffic at a rate of up to 250 Mb/s. Only one mode of sideband can be active at any given time. The configuration is done using a Flash setting.

Note: In MCTP mode, the PCIe and SMBus interface can receive MCTP commands in parallel. However, only one of the interfaces can receive NC-SI commands or pass through traffic.

10.1.1 Supported Topologies

The I210 support the following topologies:

- Connection via legacy SMBus (See [Section 10.5](#)).
- Connection via NC-SI (See [Section 10.6](#))
- Connection via NC-SI over MCTP for pass through. This connection can be over SMBus, PCI Express or both. (See [Section 10.7](#)).
- Connection via NC-SI over MCTP for control only. This connection can be over SMBus, PCI Express or both. (See [Section 10.7](#)). This connection is not available when device is in D3cold state or when main power is not available (Dr state).

The topology used is defined in the *Redirection Sideband Interface* field in the *Common Manageability Parameters* Flash word.

10.1.2 Pass Through Packet Routing

When an Ethernet packet reaches the I210, it is examined and compared to a number of configurable filters. These filters are configurable by the MC and include, but not limited to, filtering on:

- MAC Address
- IP Address
- UDP/IP Ports
- VLAN Tags
- EtherType

If the incoming packet matches any of the configured filters, it is passed to the MC. Otherwise it is not passed.

The packet filtering process is described in [Section 10.3](#).



10.2 Components of the Sideband Interface

There are two components to a sideband interface:

- Physical Layer
- Logical Layer

The MC and the I210 must be in alignment for both components. An example issue: the NC-SI physical interface is based on the NC-SI interface, but there are differences between the devices at the physical level and the protocol layer is completely different.

10.2.1 Physical Layer

This is the electrical connection between the I210 and MC.

10.2.1.1 SMBus

The SMBus physical layer is defined by the SMBus specification. The interface is made up of two connections: Data and Clock. There is also an optional third connection: the Alert line. This line is used by the I210 to notify the MC that there is data available for reading. Refer to the SMBus specification for details.

The SMBus can run at three speeds: 100 KHz (standard SMBus), 400 KHz (I²C fast mode) or 1 MHz (I²C fast mode plus). The speed used is selected by the *SMBus Connection Speed* in *SMBus Notification Timeout and Flags* Flash word.

10.2.1.1.1 PEC Support

SMBus transactions can be protected by using Packet Error Code (PEC). Packet Error Checking, whenever applicable, is implemented by appending a PEC byte at the end of each message transfer. The PEC byte is a CRC8 calculation on all the message bytes.

PEC is added in transmit and expected in receive for the following SMBus packets:

- ARP packets
- MCTP over SMBus transactions.

For ARA cycles and legacy SMBus transactions, a PEC is not expected.

The following table describes the behavior of the device in each PEC configured mode for transactions directly handled by the hardware upon reception of packets with or without PEC.

Table 10-1. SMBus PEC Modes¹

| SMBus transaction (relative to the I210) | I210 PEC Mode | Target PEC Mode | |
|---|---------------|---|---|
| | | PEC Enabled | PEC Disabled |
| Master Write ² | Enabled | (A) Target will ack the PEC byte | (A) Target will nack the PEC byte |
| Master Write ² | Disabled | (A) Target will receive stop before expected PEC byte | (A) PEC byte is not expected |
| Slave Write ³ | Enabled | (A) Target will ack last data byte; PEC byte will be nacked | (A) Target will nack last data byte; No PEC byte will be written by Slave |

Table 10-1. SMBus PEC Modes¹

| SMBus transaction (relative to the I210) | I210 PEC Mode | Target PEC Mode | |
|---|---------------|---|---|
| | | PEC Enabled | PEC Disabled |
| Slave Write ³ | Disabled | (A) Target will ack last data byte; PEC byte will be 0xFF | (A) Target will nack last data byte and will generate Stop after that |
| Slave Read ⁴ | Enabled | (A) Target will send PEC byte; PEC byte will be acked by Slave | (A) Target will not send PEC byte and will generate Stop after that |
| Slave Read ⁴ | Disabled | (R) Target will send PEC byte; PEC byte will be nacked by Slave | (A) Target will not send PEC byte and will generate Stop after that |

1. (A) - Accept Transaction (R) - Reject Transaction.
2. Used in Legacy SMBus writes commands (Direct receive) and in MCTP over SMBus (Transmitted transactions).
3. Used in Legacy SMBus Read commands.
4. Used in Legacy SMBus mode (Alert/Async-Notify) and in MCTP over SMBus (Received transactions).

Note: In both SMBus ARP and MCTP, the spec indicates that PEC must be used. However, if PEC is not used by the master, the transaction is still accepted and processed by the device.

The PEC behavior is controlled by the SMBus transaction PEC bit in the *SMBus Notification Timeout and Flags* Flash word: If this bit is set, PEC is added for master SMBus write transactions. a PEC is added to slave read transactions and can be received in slave write transaction. If this bit is cleared, PEC is not added to master write or slave read transactions, a slave write transaction with PEC is dropped. This bit should be set for MCTP mode and should be cleared in legacy SMBus mode.

10.2.1.2 NC-SI

The I210 uses the DMTF standard Sideband Interface. This interface consists of 6 lines for transmission and reception of Ethernet packets and two optional lines for arbitration among more than one physical network controller.

The physical layer of NC-SI is very similar to the RMII interface, although not an exact duplicate. Refer to the NC-SI specification for details of the differences.

10.2.1.3 PCIe

The I210 uses the VDMs (Vendor Defined Messages) over PCIe defined in the DMTF MCTP spec to convey pass through traffic or NC-SI control traffic. See [Section 3.1](#) for details of the PCIe interface.

The maximal bandwidth supported for MCTP VDMs over PCIe is 250 Mbps. VDMs that will be received at a faster rate may be dropped. In any case, there will be no back pressure of the PCIe interface due to MCTP VDM handling.



10.2.2 Logical Layer

10.2.2.1 Legacy SMBus

The protocol layer for SMBus consists of commands the MC issues to configure filtering for the I210 management traffic and the reading and writing of Ethernet frames over the SMBus interface. There is no industry standard protocol for sideband traffic over SMBus. The protocol layer for SMBus on the I210 is Intel proprietary. The Legacy SMBus protocol is described in [Section 10.5](#).

10.2.2.2 NC-SI

The DMTF also defines the protocol layer for the NC-SI interface. NC-SI compliant devices are required to implement a minimum set of commands. The specification also provides a mechanism for vendors to add additional capabilities through the use of OEM commands. Intel OEM NC-SI commands for the I210 are discussed in this document. For information on base NC-SI commands, see the NC-SI specification.

NC-SI traffic can run on top of three different Physical layers:

1. NC-SI Physical layer as described in [Section 10.2.1.2](#).
2. MCTP over PCIe. This protocol allows control and pass through traffic over PCIe of a NIC or a LOM device. The NC-SI over MCTP protocol is slightly different than the standard NC-SI as it includes additional NC-SI commands. This mode is usually paired with an MCTP over SMBus, where this mode is used in S0 states and the SMBus interface is used in Sx state. The MCTP protocol and the differences from standard NC-SI is described in [Section 10.7](#).
3. MCTP over SMBus. As described above, this layer is paired with the MCTP over PCIe to support Sx modes.

The package ID can be set either from the Flash *Package ID* field in the NC-SI Configuration - Offset 0x06 Flash word ([Section 6.7.3.7](#)) or from SDP0/2 pins. In this case, the Package ID is {0,SDP2,SDP0}. The mode used is set by the *Read NC-SI Package ID from SDP* field in the NC-SI Configuration - Offset 0x07 Flash word ([Section 6.7.3.8](#)). Note that when the package ID is set from the SDP pins, the used SDPs should be set as input in the relevant Software Defined Pins Control Flash words.

The I210 supports a single channel, so the internal channel ID is always zero.

10.3 Packet Filtering

Since both the host operating system and MC use the I210 to send and receive Ethernet traffic, there needs to be a mechanism by which incoming Ethernet packets can be identified as those that should be sent to the MC rather than the host operating system.

There are two different types of filtering available. The first is filtering based upon the MAC address. With this filtering, the MC has at least one dedicated MAC address and incoming Ethernet traffic with the matching MAC address(es) are passed to the MC. This is the simplest filtering mechanism to utilize and it allows an MC to receive all types traffic (including, but not limited to, IPMI, NFS, HTTP etc).

The other mechanism available utilizes a highly configurable mechanism by which packets can be filtered using a wide range of parameters. Using this method, an MC can share a MAC address (and IP address, if desired) with the host OS and receive only specific Ethernet traffic. This method is useful if the MC is only interested in specific traffic, such as IPMI packets.



10.3.1 Manageability Receive Filtering

This section describes the manageability receive packet filtering flow. Packet reception by the I210 can generate one of the following results:

- Discarded
- Sent to Host memory
- Sent to the external MC
- Sent to both the MC and Host memory

The decisions regarding forwarding of packets to the Host and to the MC are separate and are configured through two sets of registers. However, the MC may define some types of traffic as exclusive. This traffic will be forwarded only to the MC, even if it passes the filtering process of the Host. These types of traffic are defined using the MNGONLY register.

An example of packets that might be necessary to send exclusively to the MC might be specific TCP/UDP ports of a shared MAC address or a MAC address dedicated to the MC. If the MC configures the manageability filters to send these ports to the MC, it should configure the settings to not send them to the Host, otherwise, these ports will be received and handled by the Host operating system.

The MC controls the types of packets that it receives by programming receive manageability filters. The following filters are accessible to the MC:

Table 10-2. Filters Accessible to MC

| Filters | Functionality | When Reset? |
|--------------------------------------|--|--------------|
| Filters Enable | General configuration of the manageability filters | LAN_PWR_GOOD |
| Manageability Only | Enables routing of packets exclusively to the manageability. | LAN_PWR_GOOD |
| Manageability Decision Filters [7:0] | Configuration of manageability decision filters | LAN_PWR_GOOD |
| MAC Address [3:0] | Four exact MAC manageability addresses | LAN_PWR_GOOD |
| VLAN Filters [7:0] | Eight VLAN tag values | LAN_PWR_GOOD |
| UDP/TCP Port Filters [15:0] | 16 destination port values | LAN_PWR_GOOD |
| Flexible 128 bytes TCO Filters | Length and values for one flex TCO filter | LAN_PWR_GOOD |
| IPv4 and IPv6 Address Filters [3:0] | IP address for manageability filtering | LAN_PWR_GOOD |
| Special Filters Modifiers | Updates the behavior of some of the other filters | LAN_PWR_GOOD |
| Ethertype Filters | 4 Ethertype filters | LAN_PWR_GOOD |

All filtering capabilities are available on both the NC-SI and legacy SMBus interfaces. However, in NC-SI mode, in order to program part of the capabilities, the Intel OEM commands described in [Section 10.6.2.4](#) should be used.

All filters are reset only on Internal Power On Reset. Register filters that enable filters or functionality are also reset by firmware reset in NC-SI mode. These registers can be loaded from the Flash following a reset in SMBus mode. See [Section 6.0](#) for a description of the location in the Flash map.

The high-level structure of manageability filtering is done using two steps.

1. The packet is parsed and fields in the header are compared to programmed filters.
2. A set of decision filters are applied to the result of the first step.



Some general rules apply:

- Fragmented packets are passed to manageability but not parsed beyond the IP header.
- Packets with L2 errors (CRC, alignment, etc.) are not forwarded to the MC.
- Packets longer than 2KB are filtered out.

The following sections describe the manageability filtering, followed by the final filtering rules.

The filtering rules are created by programming the decision filters as described in [Section 10.3.4](#).

10.3.2 L2 Filters

10.3.2.1 MAC and VLAN Filters

The manageability MAC filters allow comparison of the Destination MAC address to one of 4 filters defined in the *MMAH* and *MMAL* registers.

The VLAN filters allow comparison of the 12 bit VLAN tag to one of 8 filters defined in the *MAVTV* registers.

10.3.2.2 EtherType Filters

Manageability L2 EtherType filters allow filtering of received packets based on the Layer 2 EtherType field. The L2 type field of incoming packets is compared against the EtherType filters programmed in the Manageability EtherType Filter (*METF*; up to 4 filters); the result is incorporated into decision filters.

Each Manageability EtherType filter can be configured as pass (positive) or reject (negative) using a polarity bit. In order for the reverse polarity mode to be effective and block certain type of packets, the EtherType filter should be part of all the enabled decision filters.

An example for usage of L2 EtherType filters is to determine the destination of 802.1X control packets. The 802.1X protocol is executed at different times in either the management controller or by the Host. L2 EtherType filters are used to route these packets to the proper agent.

In addition to the flexible EtherType filters, the I210 supports 2 fixed EtherType filters used to block NC-SI control traffic (0x88F8) and flow control traffic (0x8808) from reaching the manageability interface. The NC-SI EtherType is used for communication between the management controller on the NC-SI link and the I210. Packets coming from the network are not expected to carry this EtherType and such packets are blocked to prevent attacks on the management controller. Flow control packets should be consumed by the MAC and as such are not expected to be forwarded to the management interface.

Note: In order to get meaningful filtering of Ethertype packets, negative filters should be in the AND section. If more than one positive Ethertype filter is needed, then they should be set in the OR section. A single positive Ethertype filter may be enabled both in the AND or in OR section.

10.3.3 L3/L4 Filtering

The manageability filtering stage combines checks done at previous stages with additional L3/L4 checks to make a the decision on whether to route a packet to the MC. The following sections describe the manageability filtering done at layers L3/L4 and final filtering rules.



10.3.3.1 ARP Filtering

ARP filtering — The I210 supports filtering of ARP request packets (initiated externally) and ARP responses (to requests initiated by the MC).

In legacy SMBus mode, the ARP filters can be used as part of the ARP offload described in [Section 10.5.3](#). ARP offload is not specifically available when using NC-SI. However, the general filtering mechanism is utilized to filter incoming ARP traffic as requested using the Enable Broadcast Filtering NC-SI command.

The ARP request or response filters can be bind to specific IP address, by setting both the ARP Request/Response and the IP AND bits in an MDEF filter, as the IP bit will be set also if there is a match on the target IP (the TPA field in the ARP packet) of an ARP request or ARP response.

Note: If the OR section of the MDEF is all cleared and one of the IPv4 address are set, then ARP packets matching the IP address will pass the filter. If these packets should be dropped, then an OR Ethertype filter with a a value of 0x0800 (IPv4) should be added.

10.3.3.2 Neighbor Discovery Filtering and MLD

The I210 supports filtering of the following ICMPv6 packets.

Neighbor Discovery packets:

1. 0x86 (134d) - Router Advertisement.
2. 0x87 (135d) - Neighbor Solicitation.
3. 0x88 (136d) - Neighbor Advertisement.
4. 0x89 (137d) - Redirect.

MLD packets:

1. 0x82 (130d) - MLD Query
2. 0x83 (131d) - MLDv1 Report
3. 0x84 (132d) - MLD Done
4. 0x8F (143d) - MLDv2 Report

The Neighbor discovery packets has dedicated enables for each type in the decision filters. For MLD, a single enable controls the forwarding of all the MLD packets. This means that either all the MLD packets types are selected for reception or none of them.

10.3.3.3 RMCP Filtering

The I210 supports filtering by fixed destination port numbers, port 0x26F and port 0x298. These ports are IANA reserved for RMCP.

UDP or TCP protocols can be included in the comparison using the *MSFM.PORT_26F/298_UDP/TCP* fields.

In SMBus mode, there are filters that can be enabled for these ports. When using NC-SI, they are not specifically available. However, the general filtering mechanism can be utilized to filter incoming ARP traffic.



10.3.3.4 ICMP Filtering

The I210 supports filtering by ICMP. This filter matches if the IP protocol field equals to 1.

10.3.3.5 Flexible Port Filtering

The I210 implements 16 flex destination port filters. The I210 directs packets whose L4 destination port matches to the MC. The MC must ensure that only valid entries are enabled in the decision filters.

For each flex port filter, filtering can be enabled for UDP, TCP or both. It can be enabled either on source or destination port.

10.3.3.6 Flexible 128 Byte Filter

The I210 provides one flex TCO filter. This filter looks for a pattern match within the first 128 bytes of the packet. The MC must ensure that only valid entries are enabled in decision filters.

Flex filters are temporarily disabled when read from or written to by the Host. Any packet received during a read or write operation is dropped. Filter operation resumes once the read or write access completes.

10.3.3.6.1 Flexible Filter Structure

The filter is composed of the following fields:

1. Flexible Filter length — This field indicates the number of bytes in the packet header that should be inspected. The field also indicates the minimal length of packets inspected by the filter. Packet below that length will not be inspected. Valid values for this field are: $8*n$, where $n=1...16$.
2. Data — This is a set of up to 128 bytes comprised of values that header bytes of packets are tested against.
3. Mask — This is a set of 128 bits corresponding to the 128 data bytes that indicate for each corresponding byte if is tested against its corresponding byte. The general filter is 128 bytes that the MC configures; all of these bytes may not be needed or used for the filtering, so the mask is used to indicate which of the 128 bytes are used for the filter.

Each filter tests the first 128 bytes (or less) of a packet, where not all bytes must necessarily be tested.

10.3.3.6.2 TCO Filter Programming

Programming each filter is done using the following commands (NC-SI or SMBus) in a sequential manner:

1. Filter Mask and Length — This command configures the following fields:
 - a. Mask — A set of 16 bytes containing the 128 bits of the mask. Bit 0 of the first byte corresponds to the first byte on the wire.
 - b. Length — A 1-byte field indicating the length.



2. Filter Data — The filter data is divided into groups of bytes, described below:

| Group | Test Bytes |
|-------|------------|
| 0x0 | 0-29 |
| 0x1 | 30-59 |
| 0x2 | 60-89 |
| 0x3 | 90-119 |
| 0x4 | 120-127 |

Each group of bytes need to be configured using a separate command, where the group number is given as a parameter. The command has the following parameters:

- Group number — A 1-byte field indicating the current group addressed
- Data bytes — Up to 30 bytes of test-bytes for the current group

10.3.3.7 IP Address Filtering

The I210 supports filtering by destination IP address using IPv4 and IPv6 address filters. These are dedicated to manageability. Two modes are possible, depending on the value of the MANC.

EN_IPv4_FILTER bit:

- EN_IPv4_FILTER = 0b: the I210 provides four IPv6 address filters.
- EN_IPv4_FILTER = 1b: the I210 provides three IPv6 address filters and four IPv4 address filters.

For each IPv6 filter, the matching MSFM.IPV6_n_MASK bit defines if all the IP address should be compared to the MIPAF register or only the 24 LSBits of the address should be compared to the 24 LSBits of the MIPAF register.

The IPv4 match will rise also for ARP packets for which the Target IP matches the IP address in the MIPAF register.

10.3.3.8 Checksum Filtering

If bit *MANC.EN_XSUM_FILTER* is set, the I210 directs packets to the MC only if they pass L3/L4 checksum (if they exist) in addition to matching other filters previously described.

Enabling the XSUM filter when using the SMBus interface is accomplished by setting the *Enable XSUM Filtering to Manageability* bit within the Manageability Control (MANC) register. This is done using the Update Management Receive Filter Parameters command. See [Section 10.5.9.1.6](#).

To enable the XSUM filtering when using NC-SI, use the Enable Checksum Offloading command. See [Section 10.6.3.13](#).

10.3.4 Configuring Manageability Filters

There are a number of pre-defined filters that are available for the MC to enable, such as ARPs and IPMI ports 298h 26Fh. These are generally enabled by setting the appropriate bit within the MANC register using specific commands.

For more advanced filtering needs, the MC has the ability to configure a number of configurable filters. It is a two-step process to use these filters. They must first be configured and then enabled.



10.3.4.1 Manageability Decision Filters

Manageability decision filters are a set of eight filters, each with the same structure. The filtering rule for each decision filter is programmed by the MC and defines which of the L2, VLAN, EtherType and L3/L4 filters participate in decision making. Any packet that passes at least one rule is directed to manageability and possibly to the Host.

With the I210, packets can also be filtered by EtherType. This is part of the Extended Manageability Decision Filters (MDEF_EXT).

The inputs to each decision filter are:

- Packet passed a valid management L2 exact address filter.
- Packet is a broadcast packet.
- Packet has a VLAN header and it passed a valid manageability VLAN filter.
- Packet matched one of the valid IPv4 or IPv6 manageability address filters.
- Packet is a multicast packet.
- Packet passed ARP filtering (request or response).
- Packet passed neighbor solicitation filtering.
- Packet passed MLD filtering
- Packet passed 0x298/0x26F port filter.
- Packet passed a valid flex port filter.
- Packet passed a valid flex TCO filter.
- Packet is an ICMP packet.
- Packet passed or failed an L2 EtherType filter.
- Packet passed or failed Flow Control or NC-SI L2 EtherType Discard filter.

The structure of each decision filter is shown in [Figure 10-1](#). A boxed number indicates that the input is conditioned by a mask bit defined in the MDEF register and MDEF_EXT register for this rule. Decision filter rules are as follows:

- At least one bit must be set in a register. If all bits are cleared (MDEF/MDEF_EXT = 0x0000), then the decision filter is disabled and ignored.
- All enabled AND filters must match for the decision filter to match. An AND filter not enabled in the MDEF/MDEF_EXT registers is ignored.
- If no OR filter is enabled in the register, the OR filters are ignored in the decision (the filter might still match).
- If one or more OR filters are enabled in the register, then at least one of the enabled OR filters must match for the decision filter to match.

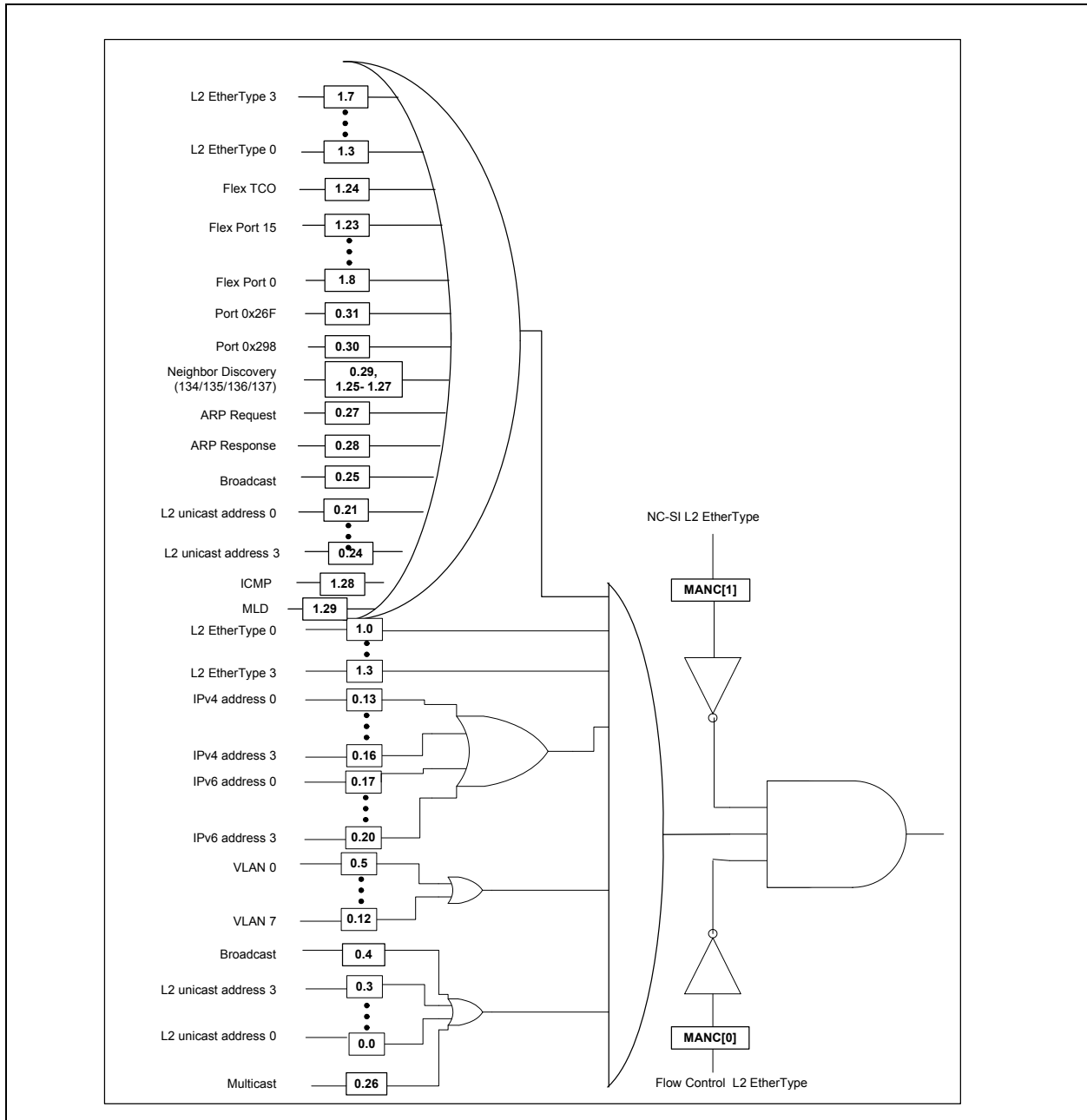


Figure 10-1. Manageability Decision Filters



A decision filter (for any of the 8 filters) defines which of the above inputs is enabled as part of a filtering rule. The MC programs two 32-bit registers per rule (MDEF[7:0] & MDEF_EXT[7:0]) with the settings as described in [Section 8.22.7](#) and [Section 8.22.8](#). A set bit enables its corresponding filter to participate in the filtering decision.

10.3.4.2 Exclusive Traffic

The decisions regarding forwarding of packets to the Host for LAN traffic or to the LAN for Host traffic are independent from the management decision filters. However, the MC may define some types of traffic as exclusive. The behavior for such traffic is defined by the using the bits corresponding to the decision filter in the *MNGONLY* register (one bit per each of the eight decision rules) and the *MDEF_EXT.apply_to_host_traffic* and *MDEF_EXT.apply_to_network_traffic* bits. [Table 10-4](#) describes the behavior in each case. If one or more filters match the traffic and at least one of the filters is set as exclusive, the traffic is treated as exclusive.

Table 10-4. Exclusive Traffic Behavior

| Traffic Source | Filter Match | | Filter Doesn't Match |
|----------------|--|---|--|
| | MNGONLY = 0b | MNGONLY = 1b | N/A |
| From network | Traffic is forwarded to the manageability. Traffic is forwarded to the Host according to Host filtering | Traffic is forwarded only to manageability. | Traffic is forwarded to the Host according to Host filtering |
| From Host | Traffic is forwarded to the manageability and to the LAN | Traffic is forwarded only to manageability. | Traffic is forwarded to the LAN |

Any traffic matching any of the configurable filters (see [Section 10.3.4.1](#)) can be used as filters to pass traffic to the Host.

Table 10-5. MNGONLY Register Description and Usage

| Bits | Description | Default |
|------|-------------------|---|
| 0 | Decision Filter 0 | Determines if packets that have passed decision filter 0 are sent exclusively to the manageability path. |
| 1 | Decision Filter 1 | Determines if packets that have passed decision filter 1 are sent exclusively to the manageability path. |
| 2 | Decision Filter 2 | Determines if packets that have passed decision filter 2 are sent exclusively to the manageability path |
| 3 | Decision Filter 3 | Determines if packets that have passed decision filter 3 are sent exclusively to the manageability path |
| 4 | Decision Filter 4 | Determines if packets that have passed decision filter 4 are sent exclusively to the manageability path |
| 5 | Unicast and Mixed | NC-SI mode: Determines if unicast and mixed packets are sent exclusively to the manageability path SMBus mode: Determines if packets that have passed decision filter 5 are sent exclusively to the manageability path |
| 6 | Global Multicast | NC-SI mode: Determines if multicast packets are sent exclusively to the manageability path SMBus mode: Determines if packets that have passed decision filter 6 are sent exclusively to the manageability path |
| 7 | Broadcast | NC-SI mode: Determines if broadcast packets are sent exclusively to the manageability path SMBus mode: Determines if ARP packets are sent exclusively to the manageability path |
| 31:8 | Reserved | Reserved |

When using the SMBus interface, the MC enables these filters by issuing the Update Management Receive Filter Parameters command (see [Section 10.5.9.1.6](#)) with the parameter of 0x0F.



The MNGONLY is also configurable when using NC-SI using the Set Intel Filters — Manageability Only Command (see [Section 10.6.3.5.3](#)).

All manageability filters are controlled by the MC only and not by the LAN device driver.

10.3.5 Possible Configurations

This section describes ways of using management filters. Actual usage may vary.

10.3.5.1 Dedicated MAC Packet Filtering

- Select one of the eight rules for dedicated MAC filtering.
- Load Host MAC address to one of the management MAC address filters and set the appropriate bit in field 3:0 of the *MDEF* register.
- Set other bits to qualify which packets are allowed to pass through. For example:
 - Load one or more management VLAN filters and set the appropriate bits in field 12:5 of the *MDEF* register to qualify the relevant manageability VLANs.
 - Set relevant bits in field 20:13 of the *MDEF* register to qualify with a match to one of the IP addresses.
 - Set any L3/L4 bits (bits 31:27 in the *MDEF* register and bits 23:16 in the *MDEF_EXT* register) to filter using any set of L3/L4 filters.

10.3.5.2 Broadcast Packet Filtering

- Select one of the eight rules for broadcast filtering.
- Set bit 25 in the *MDEF* register of the decision rule to enforce broadcast filtering.
- Set other bits to qualify which broadcast packets are allowed to pass through. For example:
 - Set bit 5 in the *MDEF* register to filter with the first manageability VLAN.
 - Set relevant bits in field 20:13 of the *MDEF* register to qualify with a match to one of the IP addresses.
 - Set any L3/L4 bits (bits 31:27 in the *MDEF* register and bits 23:16 in the *MDEF_EXT* register) to filter with any set of L3/L4 filters.

10.3.5.3 VLAN Packet Filtering

- Select one of the eight rules for VLAN filtering.
- Load one or more management VLAN filters and set the appropriate bits in field 12:5 of the *MDEF* register to qualify the relevant manageability VLANs.
- Set other bits to qualify which VLAN packets are allowed to pass through. For example:
 - Set any L3/L4 bits (bits 31:27 in the *MDEF* register and bits 23:16 in the *MDEF_EXT* register) to filter using appropriate L3/L4 filter set.

10.3.5.4 IPv6 Filtering

IPv6 filtering is done using the following IPv6-specific filters:



- IP Unicast filtering — requires filtering for Link Local address and a Global address. Filtering setup might depend on whether or not the MAC address is shared with the Host or dedicated to manageability:
 - Dedicated MAC address (for example, dynamic address allocation with DHCP does not support multiple IP addresses for one MAC address). In this case, filtering can be done at L2 using two dedicated unicast MAC filters.
 - Shared MAC address (for example, static address allocation sharing addresses with Host). In this case, filtering needs to be done at L3, requiring two IPv6 address filters, one per address.
- A neighbor Discovery filter — The I210 supports IPv6 neighbor Discovery protocol. Since the protocol relies on multicast packets, the I210 supports filtering of these packets. IPv6 multicast addresses are translated into corresponding Ethernet multicast addresses in the form of 33-33-xx-xx-xx-xx, where the last 32 bits of address are taken from the last 32 bits of the IPv6 multicast address. As a result, two direct MAC filters can be used to filter IPv6 solicited-node multicast packets as well as IPv6 all node multicast packets.

10.3.5.5 Receive Filtering with Shared IP

When using the SMBus interface, it is possible to share the Host MAC and IP address with the MC. This functionality is also available when using NC-SI using Intel OEM commands.

When the MC shares the MAC and IP address with the Host, receive filtering is based on identifying specific flows through port allocation. The following setting might be used:

- Select one of the eight rules for Dedicated MAC filtering.
- Load Host MAC address to one of the management MAC address filters and set the appropriate bit in field 3:0 of the *MDEF* register to enforce MAC address filtering using the MAC address.
- If VLAN is used for management, load one or more management VLAN filters and set the appropriate bits in field 12:5 of the *MDEF* register to qualify the relevant manageability VLANs.
- ARP filter/Neighbor Discovery filter is enabled when the MC is responsible for handling the ARP protocol. Set bit 27 or bit 28 in the *MDEF* register for this functionality.
- Set other bits to qualify which packets are allowed to pass through. For example:
 - Set any L3/L4 bits (bits 31:27 in the *MDEF* register and bits 23:16 in the *MDEF_EXT* register) to filter using the appropriate L3/L4 filters.

10.3.6 Determining Manageability MAC Address

If the MC wishes to use a dedicated MAC address or configure the automatic ARP response mechanism (only available in SMBus mode), it may be beneficial for the MC to be able to determine the MAC address used by the Host.

Both the NC-SI and SMBus interfaces provide an Intel OEM command to read the System MAC address.

A possible use for this is that the MAC address programmed at manufacturing time does not increment by one each time, but rather by two. In this way, the MC can read the System MAC address and add one to it and be guaranteed of a unique MAC address.

Determining the IP address being used by the Host is beyond the scope of this document.

10.3.7 Filtering Programming Interfaces

The I210 provides multiple options to program the forwarding filters, depending on the interface used and the level of flexibility needed. The following table describes the different options and points to the description of the relevant commands.

**Table 10-1 Filtering Programming Interfaces**

| Interface | Flexible/Abstract | Description |
|--------------------------------|----------------------------------|--|
| NC-SI (over RMII or over MCTP) | Abstract (dedicated MAC address) | The regular NC-SI commands can be used to allow forwarding based on a dedicated MAC address. The list of supported commands can be found in Section 10.6.2 . When using these commands, one of the two other modes can be used to add finer grain filtering. |
| | Abstract (Shared MAC and IP) | The Intel OEM commands described in Section 10.3.7.1 and in Section 10.6.3.14 can be used to define which part of the shared MAC or shared IP traffic should be forwarded. When using these commands, the flexible filtering interface should not be used. This mode is activated using the Set Shared mode command (Section 10.6.3.14.12) |
| | Flexible | This interface described in most of the subsections of Section 10.6.2.4 . It uses the packet reduction commands to reduce the forwarding scope of the filters set by the regular NC-SI commands and the packet addition commands to add new packet types to the forwarding rules. |
| SMBus | Abstract | The Set Common filter command (Section 10.5.9.1.7) can be used to set the most common filters. When using this commands the flexible filtering interface should not be used. When sending this command, all previous filtering requests are cleared. |
| | Flexible | The Update MNG RCV Filter Parameters (Section 10.5.9.1.6) can be used to define the exact filtering rules to be applied. |

10.3.7.1 Dedicated Shared MAC and Shared IP Support

The I210 is planned to works in systems where the same MAC and IP are shared between a platform's host operating system and its out-of-band management controller. In order to support such systems the I210 supports additional shared MAC filtering options on top of what was supported in previous products. This section describes these options and the NC-SI commands used to program them.

Note: All the filtering capabilities are exposed via the regular NC-SI packet reduction and packet addition commands and via the SMBus Set Filtering command. The interface described in this section is a more abstract interface.

10.3.7.2 Sharing an IP and MAC Address

NC-SI over MCTP will be used in desktop and mobile platforms. These platforms are typically used in enterprise environments outside of a data center. IP subnets in these environments are commonly designed such that more than 50% of their available addresses are assigned.

Hence, assigning a second IP address to an out-of-band management controller would generally necessitate a subnet redesign. Instead, a single IP address is typically shared between the host operating system and an out-of-band management controller in these platforms.

Because it's possible to bind multiple IP addresses to a single MAC address, a Network Controller needs to know the IP address shared by a Management Controller in order to deliver packets to it. A Management Controller uses the *Set IP Address* command to communicate its IP address to a Network Controller. The *Set IP Address command* is defined in [Section 10.6.3.14.1](#).

In order to notify the Network controller that the BMC intends to use a shared MAC, the *Set Shared Mode* command ([Section 10.6.3.14.12](#)) should be given before programming any filter using the regular NC-SI commands (Set MAC address or Set VLAN) or the Intel OEM commands ([Section 10.6.3.14](#)).



10.3.7.2.1 Ports Owned by the MC

A small subset of the TCP and UDP ports is dedicated to the out-of-band management controller. The remaining ports are assigned to the host operating system. Hence, port-based filtering - and commands to configure it - is required. For example, port-based filtering would be used to route WS-Management packets to the out-of-band management controller.

A Network Controller needs to know the ports owned by a Management Controller in order to deliver packets to it. A Management Controller uses the *Set Port* command to communicate its ports to a Network Controller. The *Set Port command* is defined in [Section 10.6.3.14.3](#). The I210 supports 10 port filters.

The *Set Binding* ([Section 10.6.3.14.10](#)) command is used to define the combination of MAC, VLAN, IP and ports that should be met to forward packets to the MC.

10.3.7.2.2 Sharing Network Infrastructure Packets

In addition to management traffic, the management controller needs to monitor network infrastructure traffic along with the host. For each flow it is possible to define if it should include host traffic only, both host and network or only network.

10.3.7.2.3 ARP Filters Enhancement

ARP request message filtering is controlled by the *Enable Broadcast Filter* command. However, as currently defined, this command causes either all or no ARP requests to go to the Management Controller. For MCTP over SMBus, attempting to forward all ARP requests within a subnet to the Management Controller can easily overwhelm the available bandwidth. Therefore, an option to have the Network Controller forward only ARP requests that contain a *Target IP Address* value that matches the IP address used by the Management Controller. An amendment to *Enable Broadcast Filter* is defined below to address this requirement.

10.4 OS-to-MC Traffic

10.4.1 Overview

Traditionally, the communication between a Host and the local MC is not handled through the network interface and requires a dedicated interface such as an IPMI KCS interface. The I210 allows the Host and the local MC communication via the regular pass-through interface, and thus allow management of a local console using the same interface used to manage any MC in the network.

When this flow is used, the Host will send packets to the MC through the network interface. The I210 will examine these packets and it will then decide if they should be forwarded to the MC. On the inverse path, when the MC sends a packet on the pass-through interface, the I210 will check if it should be forwarded to the network, the Host, or both. [Figure 10-2](#) describes the flow for OS-to-MC traffic for the NC-SI over RMII case. OS2BMC is available also when working over MCTP. It is not available in legacy SMBus mode.

The OS-to-MC flow can be enabled using the *OS2BMC enable* field for the relevant port in the OS 2 MC configuration structure of the Flash.

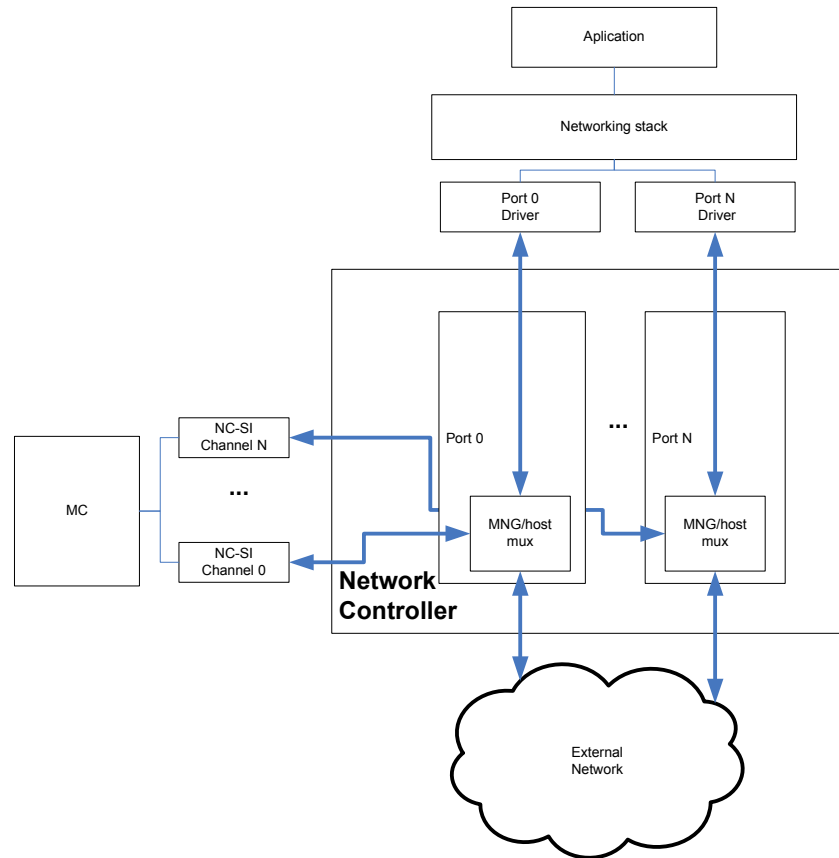


Figure 10-2. OS-to-MC Diagram

Note: This flow assumes that the MC does not share a MAC address with the Host. The OS-to-MC flow is enabled only for ports enabled by the NC-SI "Enable Channel" command or via the *OS-to-MC Enable* field for the relevant port in the OS-to-MC configuration structure of the Flash. OS2BMC traffic must comply with NC-SI specifications and is therefore limited to maximum sized frames of 1536 bytes (in both directions).

10.4.2 Filtering

10.4.2.1 OS2BMC Filtering

When OS-to-MC traffic is enabled, the filters used for network to MC traffic are also used for OS-to-MC traffic. Traffic considered as exclusive to the MC (Relevant bit in MNGONLY is set) is also considered as exclusive to the MC when sent from the Host and not forwarded to the network.

10.4.2.2 Handling of OS-to-MC Packets

All the regular transmit offloads are available for OS-to-MC packets also.



10.4.2.3 MC-to-OS Filtering

When OS-to-MC is enabled, as with regular MC transmit traffic, the port (OS or network) to which the packet is sent is fixed according to the source MAC address of the packet.

After that, the MC traffic will be filtered according to the L2 Host filters of the selected port (as described in [Section 7.1.1](#)). According to the results of the filtering the packet can be forwarded to the OS, the network or both.

The following rules apply to the forwarding of OS packets:

If *MC to net* is disabled, all the traffic from the MC is sent to the Host.

If *MC to host* is disabled, all the traffic from the MC is sent to the network.

The packet will be forwarded only according to the destination MAC address and VLAN tag.

Unicast packets that matches one of the exact filters (*RAH/RAL*) are sent only to the Host. Other packets that passes the L2 Host filtering will be sent to both the Host and the network. Packets that do not pass the L2 filtering are sent only to the network.

10.4.2.4 Queuing of packets received from the MC.

Packets received from the MC are queued in the default queue.

10.4.2.5 Offloads of packets received from the MC.

Packets received from the MC and forwarded to the OS do not pass the same path as regular network packets. Thus parts of the offloads provided for the network packets are not available for the MC packets. Packet received from the MC are identified by the *RDESC.STATUS.MC* bit.

The following list describes which offloads are available for MC packets:

- CRC is checked and removed on the MC packets. The *RDESC.STATUS.Strip CRC* will always be set for these packets.
- The RSS type and RSS hash are not calculated for MC packets and are always set to zero.
- The header of MC packets is never split.
- A fragmented MC packet will not be detected by the hardware.
- The MC packets are not detected as time sync packet. The *RDESC.STATUS.TS* will always be clear for these packets.
- The L3 and L4 checksum are not performed on these packets. The *L4I*, *IPCS*, *UDPCS*, and *UDPV* fields will always be cleared for these packets.
- In systems where the double VLAN feature is enabled (*CTRL_EXT.EXT_VLAN* is set), the VEXT bit is valid for MC packets.

Note: In systems that uses double VLAN, the MC is expected to send all packets (apart from NC-SI commands) with the outer VLAN included. Failing to do so may cause corruptions to the packet received by the OS

- The *RDESC.ERRORS* field is always cleared for these packets.

Note: Traffic sent from the MC will not cause a PME event, even if it matches one of the wake-up filters set by the port.



10.4.3 Blocking of network to MC flow

In some systems the MC may have its own private connection to the network and may use the I210 port only for the OS-to-MC traffic. In this case, the MC to network flow should be blocked while enabling the OS-to-MC and OS to network flows.

This can be done by clearing the *MANC.EN_BMC2NET* bit for the relevant port. The MC can control this functionality using the “Enable Network to MC flow” and “Disable Network to MC flow” NC-SI OEM commands. This can also be controlled using the *Network to MC disable* field in the Flash “OS2BMC Configuration Structure”.

Note: When network to MC flow is blocked and OS-to-MC flow is enabled, all the traffic from the MC is sent to the OS without any check. The OS traffic filtering is still done using the regular decision filters.

10.4.4 Statistics

Packets sent from the OS to the MC should be counted by all statistical counters as packets sent by the OS. If they are sent to both the network and to the MC, then they are counted once.

Packets sent from the MC to the Host are counted as packets received by the Host. If they are sent to the Host and to the network, then they are counted both as received packets and as packet transmitted to the network.

In addition, the I210 supports the following statistical counters that measure just the MC to OS and OS-to-MC traffic:

- O2BGPTC - OS2BMC packets received by MC
- O2BSPC - OS2BMC packets transmitted by OS
- B2OSPC - BMC2OS packets sent by MC
- B2OGPRC - BMC2OS packets received by OS.

The driver can use these statistics to count packets dropped by the I210 during the transfer between the OS and the MC.

See [Section 7.9.5](#) for details of the statistics hierarchy.

10.4.5 OS-to-MC Enablement

The I210 supports the unified network software model for OS-to-MC traffic, where the OS-to-MC traffic is shared with the regular traffic. In this model, there is no need for a special configuration of the OS networking stack or the MC stack, but if the link is down, then the OS-to-MC communication is stopped.

In order to enable OS-to-MC either:

- Enable OS2BMC in the port traffic type field in the Traffic type Parameters Flash word for the relevant port.
- Send an *EnableOS2BMC Flow* NC-SI OEM Command.

Note: When OS2BMC is enabled, OS shall avoid sending packets longer than 1.5KB to MC. Such packets will be dropped.



10.5 SMBus Pass-Through Interface

SMBus is the system management bus defined by Intel. It is used in personal computers and servers for low-speed system management communications. This section describes how the SMBus interface operates in pass-through mode.

10.5.1 General

The SMBus sideband interface includes standard SMBus commands used for assigning a slave address and gathering device information as well as Intel proprietary commands used specifically for the pass-through interface.

10.5.2 Pass-Through Capabilities

This section details manageability capabilities the I210 provides while in SMBus mode. Pass-through traffic is carried by the sideband interface as described in [Section 10.1](#).

These services are not available in NC-SI mode.

When operating in SMBus mode, in addition to exposing a communication channel to the LAN for the MC, the I210 provides the following manageability services to the MC:

- ARP handling — The I210 can be programmed to auto-ARP replying for ARP request packets to reduce the traffic over the MC interconnect.
- Default configuration of filters by Flash - When working in SMBus mode, the default values of the manageability receive filters can be set according to the PT LAN and flex TCO Flash structures.
- Padding of short packets. Packets smaller than 60 bytes but larger than 17 bytes will be padded to a legal Ethernet packet.
- CRC calculation - The device adds an Ethernet CRC on all sent packets.

10.5.3 Automatic Ethernet ARP Operation

The I210 can offload the Ethernet Address Resolution Protocol (ARP) for the MC in order to reduce the bandwidth required on the SMBus link.

Automatic Ethernet ARP parameters are loaded from the Flash when the I210 is powered up or configured through the sideband management interface. The following parameters should be configured in order to enable ARP operation:

- ARP auto-reply enabled
- ARP IP address (to filter ARP packets)
- ARP MAC addresses (for ARP responses)

These are all configurable over the sideband interface using the advanced version of the Receive Enable command.

When an ARP request packet is received and ARP auto-reply is enabled, the I210 checks the targeted IP address (after the packet has passed L2 checks and ARP checks). If the targeted IP matches the IP configuration for the I210, it replies with an ARP response.

The I210 responds to ARP request targeted to the ARP IP address with the configured ARP MAC address. If the I210 is not configured to do auto-ARP response, it can be configured to forward the ARP packets to the MC (which can respond to ARP requests).



When the external MC uses the same IP and MAC address of the OS, the ARP operation should be coordinated with the Host operating system.

Note: If sharing the MAC and IP with the Host operating system is possible, the I210 provides the ability to read the stem MAC address, allowing the MC to share the MAC address. There is no mechanism however provided by the I210 to read the IP address. The Host OS (or an agent within) and MC must coordinate the sharing of IP addresses.

10.5.3.1 ARP Packet Formats

Table 10-6. ARP Request Packet

| Offset | # Of bytes | Field | Value (In Hex) | Action |
|------------|------------|---------------------------------------|----------------|---------|
| 0 | 6 | Destination Address | | Compare |
| 6 | 6 | Source Address | | Stored |
| 12 | S=(0/4/8) | Possible VLAN Tags (single or double) | | Stored |
| 12 + S | D=(0/8) | Possible Length + LLC/SNAP Header | | Stored |
| 12 + S + D | 2 | Type | 0806 | Compare |
| 14+ S + D | 2 | HW Type | 0001 | Compare |
| 16+ S + D | 2 | Protocol Type | 0800 | Compare |
| 18+ S + D | 1 | Hardware Size | 06 | Compare |
| 19+ S + D | 1 | Protocol Address Length | 04 | Compare |
| 20+ S + D | 2 | Operation | 0001 | Compare |
| 22+ S + D | 6 | Sender HW Address | - | Stored |
| 28+ S + D | 4 | Sender IP Address | - | Stored |
| 32+ S + D | 6 | Target HW Address | - | Ignore |
| 38+ S + D | 4 | Target IP Address | ARP IP address | Compare |

Table 10-7. ARP Response Packet

| Offset | # of bytes | Field | Value |
|------------|------------|---------------------------------------|-----------------------------|
| 0 | 6 | Destination Address | ARP Request Source Address |
| 6 | 6 | Source Address | Programmed from Flash or MC |
| 12 | S=(0/4/8) | Possible VLAN Tags (single or double) | From ARP Request |
| 12 + S | D=(0/8) | Possible Length + LLC/SNAP Header | From ARP Request |
| 12 + S + D | 2 | Type | 0x0806 |
| 14+ S + D | 2 | HW Type | 0x0001 |
| 16+ S + D | 2 | Protocol Type | 0x0800 |
| 18+ S + D | 1 | Hardware Size | 0x06 |
| 19+ S + D | 1 | Protocol Address Length | 0x04 |
| 20+ S + D | 2 | Operation | 0x0002 |
| 22+ S + D | 6 | Sender HW Address | Programmed from Flash or MC |

**Table 10-7. ARP Response Packet (Continued)**

| Offset (Continued) | # of bytes | Field | Value |
|--------------------|------------|-------------------|-------------------------------|
| 28+ S + D | 4 | Sender IP Address | Programmed from Flash or MC |
| 32 +S + D | 6 | Target HW Address | ARP Request Sender HW Address |
| 38 +S + D | 4 | Target IP Address | ARP Request Sender IP Address |

10.5.4 SMBus Transactions

This section gives a brief overview of the SMBus protocol. Following is an example for a format of a typical SMBus transaction.

| | | | | | | | | |
|----------|---------------|----------|----------|-----------|----------|------------------|----------|----------|
| 1 | 7 | 1 | 1 | 8 | 1 | 8 | 1 | 1 |
| S | Slave Address | Wr | A | Command | A | PEC | A | P |
| | 1100 001 | 0 | 0 | 0000 0010 | 0 | [Data Dependent] | 0 | |

The top row of the table identifies the bit length of the field in a decimal bit count. The middle row (bordered) identifies the name of the fields used in the transaction. The last row appears only with some transactions, and lists the value expected for the corresponding field. This value can be either hexadecimal or binary.

The SMBus controller is a master for some transactions and a slave for others. The differences are identified in this document.

Shorthand field names are listed in [Table 10-8](#) and are fully defined in the SMBus specification.

Table 10-8. Shorthand Field Names

| Field Name | Definition |
|------------|------------------------------------|
| S | SMBus START Symbol |
| P | SMBus STOP Symbol |
| PEC | Packet Error Code |
| A | ACK (Acknowledge) |
| N | NACK (Not Acknowledge) |
| Rd | Read Operation (Read Value = 1b) |
| Wr | Write Operation (Write Value = 0b) |

10.5.4.1 SMBus Addressing

SMBus addresses (enabled from the Flash) can be re-assigned using the SMBus ARP protocol.

In addition to the SMBus address values, all parameters of the SMBus (SMBus channel selection, address mode, and address enable) can be set only through Flash configuration. Note that the Flash is read at the I210's power up and resets.

All SMBus addresses should be in Network Byte Order (NBO); MSB first.



10.5.4.2 SMBus ARP Functionality

The I210 supports the SMBus ARP protocol as defined in the SMBus 2.0 specification. The I210 is a persistent slave address device so its SMBus address is valid after power-up and loaded from the Flash. The I210 supports all SMBus ARP commands defined in the SMBus specification both general and directed.

SMBus ARP capability can be disabled through the Flash.

10.5.4.3 SMBus ARP Flow

SMBus ARP flow is based on the status of two flags:

- AV (Address Valid): This flag is set when the I210 has a valid SMBus address.
- AR (Address Resolved): This flag is set when the I210 SMBus address is resolved (SMBus address was assigned by the SMBus ARP process).

These flags are internal I210 flags and are not exposed to external SMBus devices.

Since the I210 is a Persistent SMBus Address (PSA) device, the AV flag is always set, while the AR flag is cleared after power up until the SMBus ARP process completes. Since AV is always set, the I210 always has a valid SMBus address.

When the SMBus master needs to start an SMBus ARP process, it resets (in terms of ARP functionality) all devices on SMBus by issuing either Prepare to ARP or Reset Device commands. When the I210 accepts one of these commands, it clears its AR flag (if set from previous SMBus ARP process), but not its AV flag (the current SMBus address remains valid until the end of the SMBus ARP process).

Clearing the AR flag means that the I210 responds to SMBus ARP transactions that are issued by the master. The SMBus master issues a Get UDID command (general or directed) to identify the devices on the SMBus. The I210 always responds to the Directed command and to the General command only if its AR flag is not set.

After the Get UDID, The master assigns the I210 SMBus address by issuing an Assign Address command. The I210 checks whether the UDID matches its own UDID and if it matches, it switches its SMBus address to the address assigned by the command (byte 17). After accepting the Assign Address command, the AR flag is set and from this point (as long as the AR flag is set), the I210 does not respond to the Get UDID General command. Note that all other commands are processed even if the AR flag is set. The I210 stores the SMBus address that was assigned in the SMBus ARP process in the Flash, so at the next power up, it returns to its assigned SMBus address.



Figure 10-3 shows the I210 SMBus ARP flow.

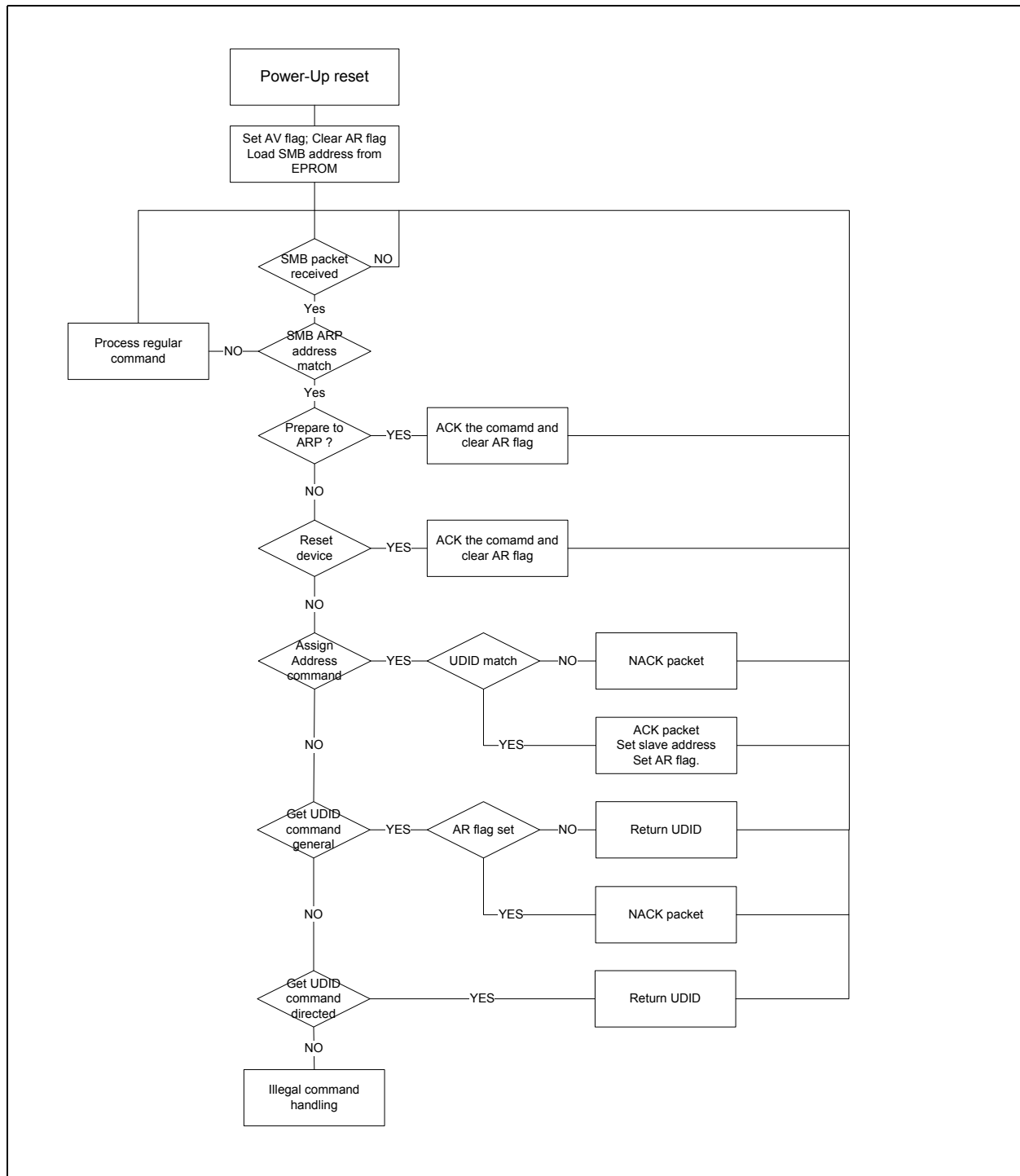


Figure 10-3. SMBus ARP Flow



10.5.4.4 SMBus ARP UDID Content

The UDID provides a mechanism to isolate each device for the purpose of address assignment. Each device has a unique identifier. The 128-bit number is comprised of the following fields:

| 1 Byte | 1 Byte | 2 Bytes | 2 Bytes | 2 Bytes | 2 Bytes | 2 Bytes | 4 Bytes |
|-----------------------|-----------------------|-----------|-----------|-------------------|---------------------|---------------------|-----------------------|
| Device Capabilities | Version/Revision | Vendor ID | Device ID | Interface | Subsystem Vendor ID | Subsystem Device ID | Vendor Specific ID |
| See notes that follow | See notes that follow | 0x8086 | 0x1531 | 0x0004/ 0x0024 | 0x0000 | 0x0000 | See notes that follow |
| MSB | | | | | | | LSB |

Where:

- Vendor ID: The device manufacturer’s ID as assigned by the SBS Implementers’ Forum or the PCI SIG.
Constant value: 0x8086
- Device ID: The device ID as assigned by the device manufacturer (identified by the Vendor ID field).
Constant value: 0x1531
- Interface: Identifies the protocol layer interfaces supported over the SMBus connection by the device.
Bits 3:0 = 0x4 indicates SMBus Version 2.0
Bit 5 (ASF bit) = 1 in MCTP mode.
- Subsystem Fields: These fields are not supported and return zeros.

Device Capabilities: Dynamic and Persistent Address, *PEC Support* bit:

| 7 | 6 | 5 | 4 | 3 | 2 | 1 | 0 |
|--------------|----|--------------|--------------|--------------|--------------|--------------|-------------------|
| Address Type | | Reserved (0) | Reserved (0) | Reserved (0) | Reserved (0) | Reserved (0) | PEC Supported |
| 0b | 1b | 0b | 0b | 0b | 0b | 0b | 0/1b ¹ |
| MSB | | | | | | | LSB |

1. The value is set according to the SMBus Transaction PEC bit in the Flash.

Version/Revision: UDID Version 1, Silicon Revision:

| 7 | 6 | 5 | 4 | 3 | 2 | 1 | 0 |
|--------------|--------------|--------------|---|---|-------------------------|---|-----|
| Reserved (0) | Reserved (0) | UDID Version | | | Silicon Revision ID | | |
| 0b | 0b | 001b | | | See the following table | | |
| MSB | | | | | | | LSB |



Silicon Revision ID:

| Silicon Version | Revision ID |
|-----------------|-------------|
| A0 | 000b |
| A1 | 001b |
| A2 | 011b |

Vendor Specific ID: Four LSB bytes of the device Ethernet MAC address. The device Ethernet address is taken from words LAN Base Address + Offsets 0x00-0x02 in the Flash.

| 1 Byte | 1 Byte | 1 Byte | 1 Byte |
|---------------------|---------------------|---------------------|---------------------|
| MAC Address, Byte 3 | MAC Address, Byte 2 | MAC Address, Byte 1 | MAC Address, Byte 0 |
| MSB | | | LSB |

10.5.4.5 Concurrent SMBus Transactions

The SMBus interface is single threaded. Thus, concurrent SMBus transactions are not permitted. Once a transaction is started, it must be completed before additional transaction can be initiated.

A transaction is defined as:

- All SMBus commands used to receive a packet.
- All SMBus commands used to send a packet.
- The read and write SMBus commands used as part of read parameters described in [Section 10.5.9.2](#).
- The single write SMBus commands described in [Section 10.5.9.1](#).

10.5.5 SMBus Notification Methods

The I210 supports three methods of notifying the MC that it has information that needs to be read by the MC:

- SMBus alert - Refer to [Section 10.5.5.1](#).
- Asynchronous notify - Refer to [Section 10.5.5.2](#).
- Direct receive - refer to [Section 10.5.5.3](#).

The notification method used by the I210 can be configured from the SMBus using the Receive Enable command. The default method is set by the Flash in the Notification method field in LAN Receive Enable 1 ([Section 6.7.2.18](#)).

The following events cause the I210 to send a notification event to the MC:

- Receiving a LAN packet that is designated to the MC.
- The Firmware was reset and requires re-initialization.
- Receiving a Request Status command from the MC initiates a status response.
- The I210 is configured to notify the MC upon status changes (by setting the EN_STA bit in the Receive Enable Command) and one of the following events happen:
 - TCO Command Aborted
 - Link Status changed



— Power state change

There can be cases where the MC is hung and not responding to the SMBus notification. The I210 has a time-out value (defined in the Flash) to avoid hanging while waiting for the notification response. If the MC does not respond until the time out expires, the notification is de-asserted and all pending data is silently discarded.

Note that the SMBus notification time-out value can only be set in the Flash. The MC cannot modify this value.

10.5.5.1 SMBus Alert and Alert Response Method

The SMBus Alert# (SMBALERT_N) signal is an additional SMBus signal that acts as an asynchronous interrupt signal to an external SMBus master. The I210 asserts this signal each time it has a message that it needs the MC to read and if the chosen notification method is the SMBus alert method. Note that the SMBus alert method is an open-drain signal which means that other devices besides the I210 can be connected on the same alert pin. As a result, the MC needs a mechanism to distinguish between the alert sources.

The MC can respond to the alert by issuing an ARA Cycle command to detect the alert source device. The I210 responds to the ARA cycle with its own SMBus slave address (if it was the SMBus alert source) and de-asserts the alert when the ARA cycle is completes. Following the ARA cycle, the MC issues a read command to retrieve the I210 message.

Some BMCs do not implement the ARA cycle transaction. These BMCs respond to an alert by issuing a Read command to the I210 (0xC0/0xD0 or 0xDE). The I210 always responds to a Read command, even if it is not the source of the notification. The default response is a status transaction. If the I210 is the source of the SMBus Alert, it replies the read transaction and then de-asserts the alert after the command byte of the read transaction.

Note: In SMBus Alert mode, the SMBALERT_N pin is used for notification. In multiple-address mode, all devices generate alerts on events that are independent of each other.

The ARA cycle is an SMBus receive byte transaction to SMBus Address 0001-100b. Note that the ARA transaction does not support PEC. The ARA transaction format is as follows:

| | | | | | | | |
|---|------------------------|----|---|-----------------------------------|---|---|---|
| 1 | 7 | 1 | 1 | 8 | 1 | 1 | 1 |
| S | Alert Response Address | Rd | A | Slave Device Address | | A | P |
| | 0001 100 | 1 | 0 | Manageability Slave SMBus Address | 0 | 1 | |

10.5.5.2 Asynchronous Notify Method

When configured using the asynchronous notify method, the I210 acts as a SMBus master and notifies the MC by issuing a modified form of the write word transaction. The asynchronous notify transaction SMBus address and data payload is configured using the Receive Enable command or using the Flash defaults. Note that the asynchronous notify is not protected by a PEC byte.

| | | | | | | | |
|---|------------------|----|---|-------------------------|---|---|-----|
| 1 | 7 | 1 | 1 | 7 | 1 | 1 | |
| S | Target Address | Wr | A | Sending Device Address | | A | ... |
| | MC Slave Address | 0 | 0 | MNG Slave SMBus Address | 0 | 0 | |



| | | | | |
|---------------|----------|----------------|----------|----------|
| 8 | 1 | 8 | 1 | 1 |
| Data Byte Low | A | Data Byte High | A | P |
| Interface | 0 | Alert Value | 0 | |

The target address and data byte low/high is taken from the Receive Enable command or Flash configuration.

10.5.5.3 Direct Receive Method

If configured, the I210 has the capability to send a message it needs to transfer to the external MC as a master over the SMBus instead of alerting the MC and waiting for it to read the message.

The message format follows. Note that the command that is used is the same command that is used by the external MC in the Block Read command. The opcode that the I210 puts in the data is also the same as it put in the Block Read command of the same functionality. The rules for the *F* and *L* flags (bits) are also the same as in the Block Read command.

| | | | | | | | | |
|----------|------------------|----------|----------|------------|-----------|---------------------------------|----------|-----|
| 1 | 7 | 1 | 1 | 1 | 1 | 6 | 1 | |
| S | Target Address | Wr | A | F | L | Command | A | ... |
| | MC Slave Address | 0 | 0 | First Flag | Last Flag | Receive TCO Command 01 0000b | 0 | |

| | | | | | | | | |
|------------|----------|-------------|----------|-----|----------|-------------|----------|----------|
| 8 | 1 | 8 | 1 | | 1 | 8 | 1 | 1 |
| Byte Count | A | Data Byte 1 | A | ... | A | Data Byte N | A | P |
| N | 0 | | 0 | | 0 | | 0 | |

10.5.6 Receive TCO Flow

The I210 is used as a channel for receiving packets from the network link and passing them to the external MC. The MC configures the I210 to pass these specific packets to the MC. Once a full packet is received from the link and identified as a manageability packet that should be transferred to the MC, the I210 starts the receive TCO flow to the MC.

The I210 uses the SMBus notification method to notify the MC that it has data to deliver. Since the packet size might be larger than the maximum SMBus fragment size, the packet is divided into fragments, where the I210 uses the maximum fragment size allowed in each fragment (configured via the Flash). The last fragment of the packet transfer is always the status of the packet. As a result, the packet is transferred in at least two fragments. The data of the packet is transferred as part of the receive TCO LAN packet transaction.

When SMBus alert is selected as the MC notification method, the I210 notifies the MC on each fragment of a multi-fragment packet. When asynchronous notify is selected as the MC notification method, the I210 notifies the MC only on the first fragment of a received packet. It is the MC's responsibility to read the full packet including all the fragments.

Any timeout on the SMBus notification results in discarding the entire packet. Any NACK by the MC causes the fragment to be re-transmitted to the MC on the next Receive Packet command.



The maximum size of the received packet is limited by the I210 hardware to 1536 bytes. Packets larger than 1536 bytes are silently discarded. Any packet smaller than 1536 bytes is processed.

10.5.7 Transmit TCO Flow

The I210 is used as the channel for transmitting packets from the external MC to the network link. The network packet is transferred from the MC over the SMBus and then, when fully received by the I210, is transmitted over the network link.

The I210 supports packets up to an Ethernet packet length of 1536 bytes. Since SMBus transactions can only be up to 240 bytes in length, packets might need to be transferred over the SMBus in more than one fragment. This is achieved using the *F* and *L* bits in the command number of the transmit TCO packet Block Write command. When the *F* bit is set, it is the first fragment of the packet. When the *L* bit is set, it is the last fragment of the packet. When both bits are set, the entire packet is in one fragment. The packet is sent over the network link only after all its fragments are received correctly over the SMBus. The maximum SMBus fragment size is defined within the Flash and cannot be changed by the MC.

The minimum packet length defined by the 802.3 spec is 64 bytes. The I210 pads packets that are less than 64 bytes to meet the specification requirements (there is no need for the external MC to pad packets less than 64 bytes). If the packet sent by the MC is larger than 1536 bytes, the I210 silently discards the packet. The minimal packet size that the I210 can handle is 17 bytes.

The I210 calculates the L2 CRC on the transmitted packet and adds its four bytes at the end of the packet. Any other packet field (such as XSUM or VLAN) must be calculated and inserted by the MC (the I210 does not change any field in the transmitted packet, other than adding padding and CRC bytes).

If the network link is down when the I210 has received the last fragment of the packet from the MC, it silently discards the packet. Note that any link down event during the transfer of any packet over the SMBus does not stop the operation since the I210 waits for the last fragment to end to see whether the network link is up again.

10.5.7.1 Transmit Errors in Sequence Handling

Once a packet is transferred over the SMBus from the MC to the I210, the *F* and *L* flags should follow specific rules. The *F* flag defines the first fragment of the packet; the *L* flag that the transaction contains the last fragment of the packet. Table 10-9 lists the different flag options in transmit packet transactions.

Table 10-9. Flag Options During Transmit Packet Transactions

| Previous | Current | Action/Notes |
|----------|-----------|---|
| Last | First | Accept both. |
| Last | Not First | Error for the current transaction. Current transaction is discarded and an abort status is asserted. |
| Not Last | First | Error in previous transaction. Previous transaction (until previous First) is discarded. Current packet is processed. No abort status is asserted. |
| Not Last | Not First | Process the current transaction. |

Note: Since every other Block Write command in TCO protocol has both *F* and *L* flags on, they cause flushing any pending transmit fragments that were previously received. When running the TCO transmit flow, no other Block Write transactions are allowed in between the fragments.



10.5.7.2 TCO Command Aborted Flow

The I210 indicates to the MC an error or an abort condition by setting the *TCO Abort* bit (See [Section 10.5.9.2.2](#)) in the general status. The I210 might also be configured to send a notification to the MC (see [Section 10.5.9.1.3.3](#)).

Following is a list of possible error and abort conditions:

- Any error in the SMBus protocol (NACK, SMBus timeouts, etc.).
- If the MC does not respond until the notification timeout (programmed in the EEPROM) expires
- Any error in compatibility between required protocols to specific functionality (for example, RX Enable command with a byte count not equal to 1/14, as defined in the command specification).
- If the I210 does not have space to store the transmitted packet from the MC (in its internal buffer space) before sending it to the link, the packet is discarded and the external MC is notified via the *Abort* bit.
- Error in the *F/L* bit sequence during multi-fragment transactions.
- An internal reset to the I210's firmware.

10.5.8 SMBus ARP Transactions

All SMBus ARP transactions include the PEC byte.

10.5.8.1 Prepare to ARP

This command clears the *Address Resolved* flag (set to false). It does not affect the status or validity of the dynamic SMBus address and is used to inform all devices that the ARP master is starting the ARP process:

| 1 | 7 | 1 | 1 | 8 | 1 | 8 | 1 | 1 |
|---|---------------|----|---|-----------|---|------------------------|---|---|
| S | Slave Address | Wr | A | Command | A | PEC | A | P |
| | 1100 001 | 0 | 0 | 0000 0001 | 0 | [Data Dependent Value] | 0 | |

10.5.8.2 Reset Device (General)

This command clears the *Address Resolved* flag (set to false). It does not affect the status or validity of the dynamic SMBus address.

| 1 | 7 | 1 | 1 | 8 | 1 | 8 | 1 | 1 |
|---|---------------|----|---|-----------|---|------------------------|---|---|
| S | Slave Address | Wr | A | Command | A | PEC | A | P |
| | 1100 001 | 0 | 0 | 0000 0010 | 0 | [Data Dependent Value] | 0 | |

10.5.8.3 Reset Device (Directed)

The Command field is NACKed if bits 7:1 do not match the current SMBus address. This command clears the *Address Resolved* flag (set to false) and does not affect the status or validity of the dynamic SMBus address.



| | | | | | | | | |
|----------|---------------|----------|----------|----------------------------|----------|------------------------|----------|----------|
| 1 | 7 | 1 | 1 | 8 | 1 | 8 | 1 | 1 |
| S | Slave Address | Wr | A | Command | A | PEC | A | P |
| | 1100 001 | 0 | 0 | Targeted Slave Address 0 | 0 | [Data Dependent Value] | 0 | |

10.5.8.4 Assign Address

This command assigns SMBus address. The address and command bytes are always acknowledged.

The transaction is aborted (NACKed) immediately if any of the UDID bytes is different from I210 UDID bytes. If successful, the manageability system internally updates the SMBus address. This command also sets the *Address Resolved* flag (set to true).

| | | | | | | | | |
|----------|---------------|----------|----------|-----------|----------|------------|----------|-----|
| 1 | 7 | 1 | 1 | 8 | 1 | 8 | 1 | |
| S | Slave Address | Wr | A | Command | A | Byte Count | A | ... |
| | 1100 001 | 0 | 0 | 0000 0100 | 0 | 0001 0001 | 0 | |

| | | | | | | | | |
|--------------------|----------|--------------|----------|--------------|----------|--------------|----------|-----|
| 8 | 1 | 8 | 1 | 8 | 1 | 8 | 1 | |
| Data 1 | A | Data 2 | A | Data 3 | A | Data 4 | A | ... |
| UDID Byte 15 (MSB) | 0 | UDID Byte 14 | 0 | UDID Byte 13 | 0 | UDID Byte 12 | 0 | |

| | | | | | | | | |
|--------------|----------|--------------|----------|-------------|----------|-------------|----------|-----|
| 8 | 1 | 8 | 1 | 8 | 1 | 8 | 1 | |
| Data 5 | A | Data 6 | A | Data 7 | A | Data 8 | A | ... |
| UDID Byte 11 | 0 | UDID Byte 10 | 0 | UDID Byte 9 | 0 | UDID Byte 8 | 0 | |

| | | | | | | |
|-------------|----------|-------------|----------|-------------|----------|-----|
| 8 | 1 | 8 | 1 | 8 | 1 | |
| Data 9 | A | Data 10 | A | Data 11 | A | ... |
| UDID Byte 7 | 0 | UDID Byte 6 | 0 | UDID Byte 5 | 0 | |

| | | | | | | | | |
|-------------|----------|-------------|----------|-------------|----------|-------------|----------|-----|
| 8 | 1 | 8 | 1 | 8 | 1 | 8 | 1 | |
| Data 12 | A | Data 13 | A | Data 14 | A | Data 15 | A | ... |
| UDID Byte 4 | 0 | UDID Byte 3 | 0 | UDID Byte 2 | 0 | UDID Byte 1 | 0 | |



| | | | | | | |
|-------------------|----------|------------------|----------|------------------------|----------|----------|
| 8 | 1 | 8 | 1 | 8 | 1 | 1 |
| Data 16 | A | Data 17 | A | PEC | A | P |
| UDID Byte 0 (LSB) | 0 | Assigned Address | 0 | [Data Dependent Value] | 0 | |

10.5.8.5 Get UDID (General and Directed)

The general get UDID SMBus transaction supports a constant command value of 0x03 and, if directed, supports a Dynamic command value equal to the dynamic SMBus address.

If the SMBus address has been resolved (*Address Resolved* flag set to true), the manageability system does not acknowledge (NACK) this transaction. If it's a General command, the manageability system always acknowledges (ACKs) as a directed transaction.

This command does not affect the status or validity of the dynamic SMBus address or the *Address Resolved* flag.

| S | Slave Address | Wr | A | Command | A | S | ... |
|----------|----------------------|-----------|----------|----------------|----------|----------|------------|
| | 1100 001 | 0 | 0 | See Below | 0 | | |

| | | | | | |
|---------------|----------|----------|------------|----------|-----|
| 7 | 1 | 1 | 8 | 1 | |
| Slave Address | Rd | A | Byte Count | A | ... |
| 1100 001 | 1 | 0 | 0001 0001 | 0 | |

| | | | | | | | | |
|--------------------|----------|--------------|----------|--------------|----------|--------------|----------|-----|
| 8 | 1 | 8 | 1 | 8 | 1 | 8 | 1 | |
| Data 1 | A | Data 2 | A | Data 3 | A | Data 4 | A | ... |
| UDID Byte 15 (MSB) | 0 | UDID Byte 14 | 0 | UDID Byte 13 | 0 | UDID Byte 12 | 0 | |

| | | | | | | | | |
|--------------|----------|--------------|----------|-------------|----------|-------------|----------|-----|
| 8 | 1 | 8 | 1 | 8 | 1 | 8 | 1 | |
| Data 5 | A | Data 6 | A | Data 7 | A | Data 8 | A | ... |
| UDID Byte 11 | 0 | UDID Byte 10 | 0 | UDID Byte 9 | 0 | UDID Byte 8 | 0 | |

| | | | | | | |
|-------------|----------|-------------|----------|-------------|----------|-----|
| 8 | 1 | 8 | 1 | 8 | 1 | |
| Data 9 | A | Data 10 | A | Data 11 | A | ... |
| UDID Byte 7 | 0 | UDID Byte 6 | 0 | UDID Byte 5 | 0 | |



| | | | | | | | | |
|-------------|----------|-------------|----------|-------------|----------|-------------|----------|-----|
| 8 | 1 | 8 | 1 | 8 | 1 | 8 | 1 | |
| Data 12 | A | Data 13 | A | Data 14 | A | Data 15 | A | ... |
| UDID Byte 4 | 0 | UDID Byte 3 | 0 | UDID Byte 2 | 0 | UDID Byte 1 | 0 | |

| | | | | | | |
|-------------------|----------|----------------------|----------|------------------------|----------|----------|
| 8 | 1 | 8 | 1 | 8 | 1 | 1 |
| Data 16 | A | Data 17 | A | PEC | ~Ä | P |
| UDID Byte 0 (LSB) | 0 | Device Slave Address | 0 | [Data Dependent Value] | 1 | |

The Get UDID command depends on whether or not this is a Directed or General command.

The General Get UDID SMBus transaction supports a constant command value of 0x03.

The Directed Get UDID SMBus transaction supports a Dynamic command value equal to the dynamic SMBus address with the LSB bit set.

Note: Bit 0 (LSB) of Data byte 17 is always 1b.

10.5.9 SMBus Pass-Through Transactions

This section details commands (both read and write) that the I210 SMBus interface supports for pass-through.

10.5.9.1 Write SMBus Transactions

This section details the commands that the MC can send to the I210 over the SMBus interface. The SMBus write transactions table lists the different SMBus write transactions supported by the I210.

| TCO Command | Transaction | Command | Fragmentation | Section |
|----------------------------------|-------------|---|---------------|----------------------------|
| Transmit Packet | Block Write | First: 0x84 Middle: 0x04 Last: 0x44 | Multiple | 10.5.9.1.1 |
| Transmit Packet | Block Write | Single: 0xC4 | Single | 10.5.9.1.1 |
| Request Status | Block Write | Single: 0xDD | Single | 10.5.9.1.2 |
| Receive Enable | Block Write | Single: 0xCA | Single | 10.5.9.1.3 |
| Force TCO | Block Write | Single: 0xCF | Single | 10.5.9.1.4 |
| Management Control | Block Write | Single: 0xC1 | Single | 10.5.9.1.5 |
| Update MNG RCV Filter Parameters | Block Write | Single: 0xCC | Single | 10.5.9.1.6 |
| Set Common Filters | Block Write | Single: 0xC2 | Single | 10.5.9.1.7 |
| Clear All Filters | Byte Write | Single: 0xC3 | Single | 10.5.9.1.8 |

If a write command is received while the internal firmware is not ready, the address and the command are acknowledged, but the byte count word is NACKed. The controller should retry the command later. It is recommended to wait 300 ms before retrying the command.



10.5.9.1.1 Transmit Packet Command

The Transmit Packet command behavior is detailed in [Section 10.5.7](#). The Transmit Packet fragments have the following format.

The payload length is limited to the maximum payload length set in the Flash. If the overall packet length is bigger than 1536 bytes, the packet is silently discarded.

| Function | Command | Byte Count | Data 1 | ... | Data N |
|--------------------------|---------|------------|-----------------|-----|-----------------|
| Transmit first fragment | 0x84 | N | Packet data MSB | ... | Packet data LSB |
| Transmit middle fragment | 0x04 | | | | |
| Transmit last fragment | 0x44 | | | | |
| Transmit single fragment | 0xC4 | | | | |

10.5.9.1.2 Request Status Command

An external MC can initiate a request to read the I210 manageability status by sending a Request Status command. When received, the I210 initiates a notification to an external MC when status is ready. After this, the external controller will be able to read the status, by issuing a read status command (see [Section 10.5.9.2.2](#)).

The format is as follows:

| Function | Command | Byte Count | Data 1 |
|----------------|---------|------------|--------|
| Request Status | 0xDD | 1 | 0 |

10.5.9.1.3 Receive Enable Command

The Receive Enable command is a single fragment command used to configure the I210. This command has two formats: short, 1-byte legacy format (providing backward compatibility with previous components) and long, 14-byte advanced format (allowing greater configuration capabilities). The Receive Enable command format is as follows:

| Function | CMD | Byte Count | Data 1 | Data 2 | ... | Data 7 | Data 8 | ... | Data 11 | Data 12 | Data 13 | Data 14 |
|-------------------------|------|------------|----------------------|--------------|-----|--------------|-------------|-----|-------------|---------------|---------------|------------------|
| Legacy Receive Enable | 0xCA | 1 | Receive Control Byte | - | ... | - | - | ... | - | - | - | - |
| Advanced Receive Enable | | 14 (0x0E) | | MAC Addr MSB | | MAC Addr LSB | IP Addr MSB | | IP Addr LSB | MC SMBus Addr | I/F Data Byte | Alert Value Byte |



Table 10-10. Receive Control Byte

| Field | Bit(s) | Description |
|------------|--------|--|
| RCV_EN | 0 | Receive TCO Enable. 0b: Disable receive TCO packets. 1b: Enable Receive TCO packets. Setting this bit enables all manageability receive filtering operations. Enabling specific filters is done via the Flash or through special configuration commands. Note: When the <i>RCV_EN</i> bit is cleared, all receive TCO functionality is disabled, not just the packets that are directed to the MC (also auto ARP packets). |
| RCV_ALL | 1 | Receive All Enable. 0b: Disable receiving all packets. 1b: Enable receiving all packets. Forwards all packets received over the wire that passed L2 filtering to the external MC. This flag has no effect if bit 0 (Enable TCO packets) is disabled. |
| EN_STA | 2 | Enable Status Reporting. 0b: Disable status reporting. 1b: Enable status reporting. |
| EN_ARP_RES | 3 | Enable ARP Response. 0b: Disable the I210 ARP response. The I210 treats ARP packets as any other packet, for example, packet is forwarded to the MC if it passed other (non-ARP) filtering. 1b: Enable the I210 ARP response. The I210 automatically responds to all received ARP requests that match its IP address. The MC IP address is provided as part of the Receive Enable message (bytes 8:11). If a short version of the command is used, the I210 uses IP address configured in the most recent long version of the command in which the <i>EN_ARP_RES</i> bit was set. If no such previous long command exists, then the I210 uses the IP address configured in the Flash as ARP Response IPv4 Address in the pass-through LAN configuration structure. If the <i>CBDM</i> bit is set, the I210 uses the MC dedicated MAC address in ARP response packets. If the <i>CBDM</i> bit is not set, the MC uses the Host MAC address. When the Enable ARP Response feature is activated, the I210 uses the following registers to filter in ARP requests. MC should not modify these registers: <ul style="list-style-type: none"> • Manageability Decision Filter – MDEF6 (and corresponding bit 6 in Management Only traffic Register – <i>MNGONLY</i>). • Fourth IPv4 Filter. |
| NM | 5:4 | Notification Method. Define the notification method the I210 uses. 00b: SMBUS Alert. 01b: Asynchronous notify. 10b: Direct receive. 11b: Not supported. |
| Reserved | 6 | Reserved. Must be set to 1b. |
| CBDM | 7 | Configure the MC Dedicated MAC Address. Note: This bit should be 0b when the <i>RCV_EN</i> bit (bit 0) is not set. 0b: The I210 shares the MAC address for MNG traffic with the Host MAC address, which is specified in Flash words 0x0-0x2. 1b: The I210 uses the MC dedicated MAC address as a filter for incoming receive packets. The MC MAC address is set in bytes 2-7 in this command. If a short version of the command is used, the I210 uses the MAC address configured in the most recent long version of the command in which the <i>CBDM</i> bit was set. When the dedicated MAC address feature is activated, the I210 uses the following registers to filter in all the traffic addressed to the MC MAC. MC should not modify these registers: Manageability Decision Filter – MDEF7 (and corresponding bit 7 in Management Only traffic Register – <i>MNGONLY</i>) Manageability MAC Address Low – <i>MMAL</i> [3] Manageability MAC Address High – <i>MMAH</i> [3] |



10.5.9.1.3.1 Management MAC Address (Data Bytes 7:2)

Ignored if the *CBDM* bit is not set. This MAC address is used to configure the dedicated MAC address. In addition, it is used in the ARP response packet when the *EN_ARP_RES* bit is set. This MAC address is also used when *CBDM* bit is set in subsequent short versions of this command.

10.5.9.1.3.2 Management IP Address (Data Bytes 11:8)

This IP address is used to filter ARP request packets.

10.5.9.1.3.3 Asynchronous Notification SMBus Address (Data Byte 12)

This address is used for the asynchronous notification SMBus transaction and for direct receive. The SMBus address is stored in bit 7:1 of this byte. Bit 0 is always 0.

10.5.9.1.3.4 Interface Data (Data Byte 13)

Interface data byte used in asynchronous notification.

10.5.9.1.3.5 Alert Value Data (Data Byte 14)

Alert Value data byte used in asynchronous notification.

10.5.9.1.4 Force TCO Command

This command causes the I210 to perform a TCO reset, TCO isolate, or Firmware Reset

TCO Reset: if Force TCO reset is enabled in the Flash. The force TCO reset clears the data path (Rx/Tx) of the I210 to enable the MC to transmit/receive packets through the I210. Force TCO reset is asserted only to the port related to the SMBus address the command. This command should only be used when the MC is unable to transmit receive and suspects that the I210 is inoperable. The command also causes the LAN device driver to unload. It is recommended to perform a system restart to resume normal operation.

TCO isolate: if TCO isolate is enabled in the Flash (See [Section 6.7.1](#)). The TCO Isolate command will disable PCIe write operations to the LAN port. If TCO Isolate is disabled in Flash the I210 does not execute the command but sends a response to the MC with successful completion. Following TCO Isolate management sets *MANC.TCO_Isolate* to 1.

Firmware Reset: This command will cause re-initialization of all the manageability functions and re-load of manageability related Flash words.

The I210 considers the Force TCO reset command as an indication that the operating system is hung and clears the *DRV_LOAD* flag. The Force TCO command format is as follows:

| Function | Command | Byte Count | Data 1 |
|-----------------|---------|------------|----------|
| Force TCO Reset | 0xCF | 1 | TCO Mode |



Where TCO Mode is:

| Field | Bit(s) | Description |
|-----------------------------|--------|---|
| DO_TCO_RST | 0 | Perform TCO Reset. 0b: Do nothing. 1b: Perform TCO reset. |
| DO_TCO_ISOLATE ¹ | 1 | Do TCO Isolate 0b = Enable PCIe write access to LAN port. 1b = Isolate Host PCIe write operation to the port Note: Should be used for debug only. |
| RESET_MGMT | 2 | Reset manageability; re-load manageability Flash words. 0b = Do nothing 1b = Issue firmware reset to manageability. Setting this bit generates a one-time firmware reset. Following the reset, management related data from Flash is loaded. |
| Reserved | 7:3 | Reserved (set to 0x00). |

1. TCO Isolate Host Write operation enabled in Flash.

Note: Only one of the fields should be set in a given command. Setting more than one field may yield unexpected results.

10.5.9.1.5 Management Control

This command is used to set generic manageability parameters. The parameters list is shown in Table 10-11. The command is 0xC1 stating that it is a Management Control command. The first data byte is the parameter number and the data afterwards (length and content) are parameter specific as shown in Management Control Command Parameters/Content.

Note: If the parameter that the MC sets is not supported by the I210. The I210 does not NACK the transaction. After the transaction ends, the I210 discards the data and asserts a transaction abort status.

The Management Control command format is as follows:

| Function | Command | Byte Count | Data 1 | Data 2 | ... | Data N |
|--------------------|---------|------------|------------------|---------------------|-----|--------|
| Management Control | 0xC1 | N | Parameter Number | Parameter Dependent | | |

Table 10-11. Management Control Command Parameters/Content

| Parameter | # | Parameter Data |
|------------------|------|--|
| Keep PHY Link Up | 0x00 | A single byte parameter: Data 2: Bit 0: Set to indicate that the PHY link for this port should be kept up throughout system resets. This is useful when the server is reset and the MC needs to keep connectivity for a manageability session. Bit [7:1] Reserved. 0b: Disabled. 1b: Enabled. |



10.5.9.1.6 Update Management Receive Filter Parameters

This command is used to set the manageability receive filters parameters. The command is 0xCC. The first data byte is the parameter number and the data that follows (length and content) are parameter specific as listed in management RCV filter parameters.

If the parameter that the MC sets is not supported by the I210, then the I210 does not NACK the transaction. After the transaction ends, the I210 discards the data and asserts a transaction abort status.

The update management RCV receive filter parameters command format is as follows:

| Function | Command | Byte Count | Data 1 | Data 2 | ... | Data N |
|--|---------|------------|------------------|---------------------|-----|--------|
| Update Manageability Filter Parameters | 0xCC | N | Parameter Number | Parameter Dependent | | |

Table 10-12 lists the different parameters and their content.

Table 10-12. Management Receive Filter Parameters

| Parameter | Number | Parameter Data |
|--------------------------------------|--------|--|
| Filters Enables | 0x1 | Defines the generic filters configuration. The structure of this parameter is four bytes as the Manageability Control (MANC) register. Note: The general filter enable is in the Receive Enable command that enables receive filtering. |
| MNGONLY configuration | 0xF | This parameter defines which of the packets types identified as manageability packets in the receive path will never be directed to the Host memory. Data 2:5: MNGONLY register bytes - Data 2 is the MSB |
| Flex Filter 0 Enable Mask and Length | 0x10 | Flex Filter 0 Mask. Data 17:2 = Mask. Bit 0 in data 2 is the first bit of the mask. Data 19:18 = Reserved. Should be set to 00b. Data 20 = Flexible filter length. |
| Flex Filter 0 Data | 0x11 | Data 2 — Group of flex filter's bytes: 0x0 = bytes 0-29 0x1 = bytes 30-59 0x2 = bytes 60-89 0x3 = bytes 90-119 0x4 = bytes 120-127 Data 3:32 = Flex filter data bytes. Data 3 is LSB. Group's length is not a mandatory 30 bytes; it might vary according to filter's length and must NOT be padded by zeros. |
| Decision Filters | 0x61 | This command is obsolete. Please use 0x68 instead |
| VLAN Filters | 0x62 | Three bytes are required to load the VLAN tag filters. Data 2: VLAN filter number. Data 3: MSB of VLAN filter. Data 4: LSB of VLAN filter. |



Table 10-12. Management Receive Filter Parameters

| Parameter | Number | Parameter Data |
|-------------------------------------|--------|---|
| Flex Port Filters | 0x63 | <p>Three bytes are required to load the manageability flex port filters.</p> <p>Data 2: Flex port filter number.</p> <p>Data 3: MSB of flex port filter.</p> <p>Data 4: LSB of flex port filter.</p> <p>Data 5:</p> <p>Bit 0: Match UDP ports</p> <p>Bit 1: Match TCP ports</p> <p>Bit 2: Match Destination port (0) or Source Port (1).</p> <p>If Data 5 is not present, the match is done on TCP and UDP destination ports (legacy behavior).</p> |
| IPv4 Filters | 0x64 | <p>Five bytes are required to load the IPv4 address filter.</p> <p>Data 2: IPv4 address filter number (3:0).</p> <p>Data 3: LSB of IPv4 address filter.</p> <p>...</p> <p>Data 6: MSB of IPv4 address filter.</p> |
| IPv6 Filters | 0x65 | <p>17 bytes are required to load the IPv6 address filter.</p> <p>Data 2 — IPv6 address filter number (3:0).</p> <p>Data 3 — LSB of IPv6 address filter.</p> <p>...</p> <p>Data 18 — MSB of IPv6 address filter.</p> |
| MAC Filters | 0x66 | <p>Seven bytes are required to load the MAC address filters.</p> <p>Data 2 — MAC address filters pair number (3:0).</p> <p>Data 3 — MSB of MAC address.</p> <p>...</p> <p>Data 8: LSB of MAC address.</p> |
| EtherType Filters | 0x67 | <p>5 bytes to load Ethertype Filters (METF)</p> <p>Data 2 — METF filter index (valid values are 0, 1, 2, 3)</p> <p>Data 3 — MSB of METF</p> <p>...</p> <p>Data 6 — LSB of METF</p> |
| Extended Decision Filter | 0x68 | <p>9 bytes to load the extended decision filters (MDEF_EXT & MDEF)</p> <p>Data 2 — MDEF filter index (valid values are 0...5)</p> <p>Data 3 — MSB of MDEF_EXT (DecisionFilter1)</p> <p>....</p> <p>Data 6 — LSB of MDEF_EXT (DecisionFilter1)</p> <p>Data 7 — MSB of MDEF (DecisionFilter0)</p> <p>....</p> <p>Data 10 — LSB of MDEF (DecisionFilter0)</p> <p>The command shall overwrite any previously stored value</p> |
| Management Special Filter Modifiers | 0x69 | <p>4 bytes to load the Management Special Filter Modifiers</p> <p>Data 2 - MSB of MSFM Register</p> <p>...</p> <p>Data 5- LSB of MSFM Register</p> |

**Table 10-13. Filter Enable Parameters**

| Bit | Name | Description |
|-------|------------------------------|--|
| 16:0 | Reserved | Reserved |
| 17 | RCV_TCO_EN | TCO Receive Traffic Enabled. When bit is set receive traffic to the manageability block is enabled. This bit should be set only if at least one of EN_BMC2OS or EN_BMC2NET bits are set. This bit is usually set using the receive enable command (see Section 10.5.9.1.3). |
| 18 | KEEP_PHY_LINK_UP | Block PHY reset and power state changes. When this bit is set the PHY reset and power state changes does not get to the PHY, This bit can not be written unless Keep_PHY_Link_Up_En Flash bit is set. |
| 22: | Reserved | Reserved |
| 23 | Enable Xsum Filtering to MNG | When this bit is set, only packets that pass the L3 and L4 checksum are send to the manageability block. |
| 24 | Enable IPv4 Address Filters | When set, the last 128 bits of the MIPAF register are used to store four IPv4 addresses for IPv4 filtering. When cleared, these bits store a single IPv6 filter. |
| 25 | FIXED_NET_TYPE | Fixed net type: If set, only packets matching the net type defined by the NET_TYPE field passes to manageability. Otherwise, both tagged and un-tagged packets can be forwarded to the manageability engine. |
| 26 | NET_TYPE | NET TYPE: 0b = pass only un-tagged packets. 1b = pass only VLAN tagged packets. Valid only if FIXED_NET_TYPE is set. |
| 31:27 | Reserved | Reserved. |

10.5.9.1.7 Set Common Filters Command

The Set Common Filters command is a single fragment command capable of configuring the most common filters.

Note: If this command is used, all the other commands that programs forwarding filters should not be used (apart from the Clear All Filters command). When this command is received, an implied Clear All Filters command is done before the application of this command.

| Function | Command | Byte Count | Data 1 | Data 2:4 | 5:10 | Data 11 | Data 12 | Data 13 | Data 14:17 |
|--------------------|---------|------------|------------|-----------------------------------|-------------|------------------|---------------------|------------------|--------------|
| Set Common Filters | 0xC2 | 17 | Opcode = 0 | Receive Control - see Table 10-14 | MAC Address | MC Alert Address | Interface Data Byte | Alert Value Byte | IPv4 Address |



| Function | Command | Byte Count | Data 1 | Data 2:4 | 5:10 | Data 11 | Data 12 | Data 13 | Data 14:29 |
|--------------------|---------|------------|------------|-----------------------------------|---------------|------------------|---------------------|------------------|--------------|
| Set Common Filters | 0xC2 | 29 | Opcode = 0 | Receive Control - see Table 10-14 | MAC Addresses | MC Alert Address | Interface Data Byte | Alert Value Byte | IPv6 Address |

Table 10-14. Set Common Filters Receive Control Bytes

| Byte | Bit | Description | Description |
|------|-----|------------------------------|--|
| 1 | 0 | RCV_EN | Receive TCO Packets Enabled. When this bit is set it enables the receive flow to the manageability block. This bit should be set only if at least one of EN_BMC20 or EN_BMC2NET bits are set. |
| | 1 | EN_STA | Enable Status Reporting. 0b: Disable status reporting. 1b: Enable status reporting. |
| | 2 | Auto ARP | Automatically respond to ARP packets. Ignored in IPv6 mode. If this bit is set, broadcast ARP packets will be handled by the I210 and ARP requests to the IP address set in the command will be responded. Note: Mutually exclusive to Configure ARP/ Neighborhood Filter bit. If this bit is set, the IP address must be valid. This bit is ignored if RCV_EN is cleared. |
| | 3 | Enable Xsum Filtering to MNG | When this bit is set, only packets that pass the L3 and L4 checksum are send to the manageability block. This bit is ignored if RCV_EN is cleared |
| | 4:5 | Reserved | |
| | 6:7 | Notification Method | Notification Method. Define the notification method the I210 uses. 00b: SMBUS Alert. 01b: Asynchronous notify. 10b: Direct receive. 11b: Not supported. |



Table 10-14. Set Common Filters Receive Control Bytes (Continued)

| Byte | Bit | Description | Description |
|------|-------|------------------------------------|--|
| 2 | 8 | CBDM | <p>Configure the MC Dedicated MAC Address.</p> <p>0b: The I210 shares the MAC address for MNG traffic with the host MAC address, which is specified in Flash words 0x0-0x2.</p> <p>1b: The I210 uses the MC dedicated MAC address as a filter for incoming receive packets.</p> <p>The MC MAC address is set in bytes 5-10 in this command.</p> <p>This bit is ignored if RCV_EN is cleared</p> |
| | 9 | Configure IP Address Filter | <p>Automatically configure an IP Address Filter. If this bit is set, only packets matching this IP address will be forwarded. If the CBDM bit is set, only packets matching the MAC and IP address will be forwarded.</p> <p>This bit is ignored if RCV_EN is cleared</p> |
| | 10 | Configure RMCP 26Fh Filter | <p>Automatically configure standard IPMI port 26Fh filters. If this bit is set, only packets matching this port will be forwarded. If the CBDM/ Configure IP address Filter bits are set, only packets matching the MAC and IP address and this port will be forwarded. The other port enable bit (11) may add additional forwarding condition.</p> <p>This bit is ignored if RCV_EN is cleared</p> |
| | 11 | Configure RMCP 298h Filter | <p>Automatically configure standard IPMI port 298h filter. If this bit is set, only packets matching this port will be forwarded. If the CBDM/ Configure IP address Filter bits are set, only packets matching the MAC and IP address and this port will be forwarded. The other port enable bit (10) may add additional forwarding condition.</p> <p>This bit is ignored if RCV_EN is cleared</p> |
| | 12 | Configure ARP/ Neighborhood Filter | <p>Automatically Configure filters to allow this traffic to MC (mutually exclusive to Auto ARP bit). If this bit is set, broadcast ARP packets will be forwarded to MC.</p> <p>In IPv4 mode, setting this bit will allow forwarding of broadcast ARP request and response and unicast ARP response. If IP address is set, only response to this address will be forwarded.</p> <p>In IPv6 mode, setting this bit will allow forwarding of all types of neighbor discovery and MLD ICMPv6 packet types:</p> <ul style="list-style-type: none"> • 0x86 (134d) - Router Advertisement. • 0x87 (135d) - Neighbor Solicitation. • 0x88 (136d) - Neighbor Advertisement. • 0x89 (137d) - Redirect • 0x82 (130d) - MLD Query • 0x83 (131d) - MLDv1 Report • 0x84 (132d) - MLD Done • 0x8F (143d) - MLDv2 Report |
| | 13 | Configure DHCP port 44h Filter | <p>Automatically configure DHCP port 44 filter to MC. If this bit is set, multicast packets matching this port will be forwarded. Otherwise, multicast packets are not forwarded to the MC.</p> <p>This bit is ignored if RCV_EN is cleared or in IPv6 mode.</p> |
| | 15:14 | Reserved | |
| 3 | 16 | Disable Host ARP | <p>Configure ARP Requests and Network Neighborhood packets not to go to host. This bit should be cleared in regular operation. Ignored if both bit 12 and bit 2 are cleared or if RCV_EN is cleared.</p> |
| | 17 | Disable Host DHCP | <p>Configure DHCP packets (port 44h) not to go to host. This bit should be cleared in regular operation. Ignored if bit 13 is cleared, RCV_EN is cleared, or in IPv6 mode.</p> |
| | 24:18 | Reserved | |

Note: If both bit 2 (AutoARP) and bit 12 (Configure ARP/ Neighborhood Filter) are set, the results are unexpected.



10.5.9.1.8 Clear all Filters Command

The Clear all Filters command is a single fragment command capable of clearing all the receive filters currently programmed for manageability traffic.

| Function | Command | Byte Count | Data |
|-------------------|---------|------------|------|
| Clear all Filters | 0xC3 | 1 | 0x00 |

10.5.9.2 Read SMBus Transactions

This section details the pass-through read transactions that the MC can send to the I210 over SMBus.

SMBus read transactions lists the different SMBus read transactions supported by the I210. All the read transactions are compatible with SMBus read block protocol format.

Table 10-16. SMBus Read Transactions

| TCO Command | Transaction | Command | Opcode | Fragments | Section |
|---------------------------------------|-------------|----------------------|---|-----------|----------------------------|
| Receive TCO Packet | Block Read | 0xD0 or 0xC0 | First: 0x90 Middle: 0x10 Last ¹ : 0x50 | Multiple | 10.5.9.2.1 |
| Read Status | Block Read | 0xD0 or 0xC0 or 0xDE | Single: 0xDD | Single | 10.5.9.2.2 |
| Get System MAC Address | Block Read | 0xD4 | Single: 0xD4 | Single | 10.5.9.2.3 |
| Read Management Parameters | Block Read | 0xD1 | Single: 0xD1 | Single | 10.5.9.2.4 |
| Read Management RCV Filter Parameters | Block Read | 0xCD | Single: 0xCD | Single | 10.5.9.2.5 |
| Read Receive Enable Configuration | Block Read | 0xDA | Single: 0xDA | Single | 10.5.9.2.6 |
| Get Controller Information | Block Read | 0xD5 | Single: 0xD5 | Single | 10.5.9.2.7 |
| Get Common filters | Block Read | 0xD3 | Single: 0xD3 | Single | 10.5.9.2.8 |

1. The last fragment of the receive TCO packet is the packet status.

0xC0 or 0xD0 commands are used for more than one payload. If MC issues these read commands, and the I210 has no pending data to transfer, it always returns as default opcode 0xDD with the I210 status and does not NACK the transaction.

If an I2C quick read command is received, it is handled as a I210 Read Status command (See [Section 10.5.9.2.2](#) for details).

If a read command is received while the internal firmware is not ready, the following answer is provided:

| Byte Count | Data 1 (Error Code) |
|------------|---------------------|
| 1 | 0xFD |



The controller should retry the command later. It is recommended to wait 300 ms before retrying the command.

10.5.9.2.1 Receive TCO LAN Packet Transaction

The MC uses this command to read packets received on the LAN and its status. When the I210 has a packet to deliver to the MC, it asserts the SMBus notification for the MC to read the data (or direct receive). Upon receiving notification of the arrival of a LAN receive packet, the MC begins issuing a Receive TCO packet command using the block read protocol.

A packet can be transmitted to the MC in at least two fragments (at least one for the packet data and one for the packet status). As a result, MC should follow the *F* and *L* bit of the op-code.

The op-code can have these values:

- 0x90 — First Fragment
- 0x10 — Middle Fragment
- When the opcode is 0x50, this indicates the last fragment of the packet, which contains packet status.

If a notification timeout is defined (in the Flash) and the MC does not finish reading the whole packet within the timeout since the packet has arrived, the packet is silently discarded. The time spent in ARA cycle or in reading the packet is not counted by the timeout counter.

Following is the receive TCO packet format and the data format returned from the I210.

| Function | Command |
|--------------------|--------------|
| Receive TCO Packet | 0xC0 or 0xD0 |

| Function | Byte Count | Data 1 (Op-Code) | Data 2 | ... | Data N |
|-----------------------------|------------|------------------|--|-----|------------------|
| Receive TCO First Fragment | N | 0x90 | Packet Data Byte | ... | Packet Data Byte |
| Receive TCO Middle Fragment | | 0x10 | | | |
| Receive TCO Last Fragment | 9 | 0x50 | See Section 10.5.9.2.1.1 | | |

10.5.9.2.1.1 Receive TCO LAN Status Payload Transaction

This transaction is the last transaction that the I210 issues when a packet received from the LAN is transferred to the MC. The transaction contains the status of the received packet.

The format of the status transaction is as follows:

| Function | Byte Count | Data 1 (Op-Code) | Data 2 – Data 17 (Status Data) |
|-------------------------|------------|------------------|--------------------------------|
| Receive TCO Long Status | 9 | 0x50 | See Below |



The status is 8 bytes where byte 0 (bits 7:0) is set in Data 2 of the status and byte 7 in Data 9 of the status. [Table 10-17](#) lists the content of the status data.

Table 10-17. TCO LAN Packet Status Data

| Name | Bits | Description |
|---------------|-------|---|
| Packet Length | 13:0 | Packet length including CRC, only 14 LSB bits. |
| Reserved | 15:14 | Reserved |
| Packet status | 31:16 | See Table 10-18 |
| VLAN | 47:32 | The two bytes of the VLAN header tag. |
| MNG status | 63:48 | See Table 10-20 . This field should be ignored if Receive TCO is not enabled, |

The meaning of the bits inside of each field can be found in [Section 7.1.4.2](#).

Table 10-18. Packet Status Info

| Field | Bit(s) | Description |
|--------------|--------|--|
| Reserved | 15:2 | Reserved |
| VP | 1 | VLAN Stripped (indicates if the VLAN is part of the packet, or was removed). In the I210 this bit is always zero. |
| CRC stripped | 0 | Packet doesn't include CRC. In the I210 this bit is always one. |

Table 10-20. MNG Status

| Name | Bits | Description |
|----------------------------|------|--|
| Reserved | 15:9 | Reserved |
| Decision Filter match | 8 | Set when there is a match to one of the Decision filters |
| Decision Filter index | 7:4 | Indicates which of the decision filters match the packet. (allows for up to 16 filters - although only 8 are currently supported) |
| MNG VLAN Address Match | 3 | Set when the MNG packet matches one of the MNG VLAN filters |
| Pass MNG VLAN Filter Index | 2:0 | Indicates which of the VLAN filters match the packet. |

10.5.9.2.2 Read Status Command

The MC should use this command after receiving a notification from the I210 (such as SMBus Alert). The I210 also sends a notification to the MC in either of the following two cases:

- The MC asserts a request for reading the status.
- The I210 detects a change in one of the Status Data 1 bits (and was set to send status to the MC on status change) in the Receive Enable command.

Note: Commands 0xC0/0xD0 are for backward compatibility and can be used for other payloads. The I210 defines these commands in the opcode as well as which payload this transaction is. When the 0XDE command is set, the I210 always returns opcode 0XDD with the I210 status. The MC reads the event causing the notification, using the Read Status command as follows.



The I210 response to one of the commands (0xC0 or 0xD0) in a given time as defined in the SMBus Notification Timeout and Flags word in the Flash.

| Function | Command |
|-------------|----------------------|
| Read Status | 0XC0 or 0XD0 or 0XDE |

| Function | Byte Count | Data 1 (Op-Code) | Data 2 (Status Data 1) | Data 3 (Status Data 2) |
|----------------------------|------------|------------------|------------------------|------------------------|
| Receive TCO Partial Status | 3 | 0XDD | See Below | |

This command can also be executed using the I2C quick read format as follow:

| 1 | 7 | 1 | 1 | 8 | 1 | 8 | 1 | 8 | 1 | 1 |
|-------|---------------|----|-----|------------|-----|---------------|-----|---------------|-----|------|
| Start | Slave Address | Rd | Ack | Byte Count | Ack | Status Data 1 | Ack | Status Data 2 | Ack | Stop |
| | | 1 | 0 | 0000 0002 | 0 | | 0 | | 1 | |

Table 10-21 lists the status data byte 1 parameters.

Table 10-21. Status Data Byte 1

| Bit | Name | Description |
|-----|---------------------------|--|
| 7 | Reserved | Always zero (indicates port number LSB in multi port devices) |
| 6 | TCO Command Aborted | 1b = A TCO command abort event occurred since the last read status cycle. 0b = A TCO command abort event did not occur since the last read status cycle. |
| 5 | Link Status Indication | 0b = LAN link down. 1b = LAN link up. |
| 4 | PHY Link Forced Up | Contains the value of the <i>PHY_Link_Up</i> bit. When set, indicates that the PHY link is configured to keep the link up. |
| 3 | Initialization Indication | 0b = An Flash reload event has not occurred since the last Read Status cycle. 1b = An Flash reload event has occurred since the last Read Status cycle ¹ . |
| 2 | Reserved | Always zero (indicates port number MSB in multi port devices) |
| 1:0 | Power State | 00b = Dr state. 01b = D0u state. 10b = D0 state. 11b = D3 state. |

1. This indication is asserted when the I210 manageability block reloads the Flash and its internal database is updated to the Flash default values. This is an indication that the external MC should reconfigure the I210, if other values other than the Flash default should be configured.

Status data byte 2 is used by the MC to indicate whether the LAN device driver is alive and running.

The LAN device driver valid indication is a bit set by the LAN device driver during initialization; the bit is cleared when the LAN device driver enters a Dx state or is cleared by the hardware on a PCI reset.



Bits 2 and 1 indicate that the LAN device driver is stuck. Bit 2 indicates whether the interrupt line of the LAN function is asserted. Bit 1 indicates whether the LAN device driver dealt with the interrupt line before the last Read Status cycle. Table 10-22 lists status data byte 2.

Table 10-22. Status Data Byte 2

| Bit | Name | Description |
|-----|---|---|
| 7:5 | Reserved | Reserved. |
| 4 | Reserved | Reserved |
| 3 | Driver Valid Indication | 0b = LAN driver is not alive. 1b = LAN driver is alive. |
| 2 | Interrupt Pending Indication | 1b = LAN interrupt line is asserted. 0b = LAN interrupt line is not asserted. |
| 1 | Interrupt Cause Register (ICR0 Read/Write | 1b = ICR register was read since the last read status cycle. 0b = ICR register was not read since the last read status cycle. Reading the ICR indicates that the driver has dealt with the interrupt that was asserted. |
| 0 | Reserved | Reserved |

Table 10-23 lists the possible values of bits 2 and 1 and what the MC can assume from the bits:

Table 10-23. Status Data Byte 2 (Bits 2 and 1)

| Previous | Current | Description |
|------------|---------|--|
| Don't Care | 00b | Interrupt is not pending (OK). |
| 00b | 01b | New interrupt is asserted (OK). |
| 10b | 01b | New interrupt is asserted (OK). |
| 11b | 01b | Interrupt is waiting for reading (OK). |
| 01b | 01b | Interrupt is waiting for reading by the driver for more than one read cycle (not OK). Possible drive hang state. |
| Don't Care | 11b | Previous interrupt was read and current interrupt is pending (OK). |
| Don't Care | 10b | Interrupt is not pending (OK). |

MC reads should consider the time it takes for the LAN device driver to deal with the interrupt (in μ s). Note that excessive reads by the MC can give false indications.

10.5.9.2.3 Get System MAC Address Command

The Get System MAC Address returns the system MAC address over to the SMBus. This command is a single-fragment Read Block transaction that returns the following the MAC address configured in RAL0, RAH0 registers.

Get system MAC address format:

| Function | Command |
|------------------------|---------|
| Get system MAC address | 0xD4 |

Data returned from the I210:



| Function | Byte Count | Data 1 (Op-Code) | Data 2 | ... | Data 7 |
|------------------------|------------|------------------|-----------------|-----|-----------------|
| Get system MAC address | 7 | 0xD4 | MAC address MSB | ... | MAC address LSB |

10.5.9.2.4 Read Management Parameters Command

In order to read the management parameters the MC should execute two SMBus transactions. The first transaction is a block write that sets the parameter that the MC wants to read. The second transaction is block read that reads the parameter.

Block write transaction:

| Function | Command | Byte Count | Data 1 |
|----------------------------|---------|------------|------------------|
| Management control request | 0xC1 | 1 | Parameter number |

Following the block write the MC should issue a block read that reads the parameter that was set in the Block Write command:

| Function | Command |
|---------------------------|---------|
| Read management parameter | 0xD1 |

Data returned:

| Function | Byte Count | Data 1 (Op-Code) | Data 2 | Data 3 | ... | Data N |
|---------------------------|------------|------------------|------------------|---------------------|-----|--------|
| Read management parameter | N | 0xD1 | Parameter number | Parameter dependent | | |

The returned data is in the same format of the MC command.

The returned data is as follow:

| Parameter | # | Parameter Data |
|-------------------------|------|--|
| Keep PHY Link Up | 0x00 | A single byte parameter: Data 2 — Bit 0 Set to indicate that the PHY link for this port should be kept up. Sets the keep_PHY_link_up bit. When cleared, clears the keep_PHY_link_up bit. Bit [7:1] Reserved. |
| Wrong parameter request | 0xFE | Returned by the I210 only. This parameter is returned on read transaction, if in the previous read command the MC sets a parameter that is not supported by the I210. |
| The I210 is not ready | 0xFF | Returned by the I210 only, on read parameters command when the data that should have been read is not ready. This parameter has no data. The MC should retry the read transaction. This value is also returned if the byte count is illegal or if the read command is not preceded by a write command. |



The parameter that is returned might not be the parameter requested by the MC. The MC should verify the parameter number (default parameter to be returned is 0x1).

If the parameter number is 0xFF, it means that the data that was requested from the I210 is not ready yet. The MC should retry the read transaction.

It is responsibility of the MC to follow the procedure previously defined. When the MC sends a Block Read command (as previously described) that is not preceded by a Block Write command with bytcount=1, the I210 sets the parameter number in the read block transaction to be 0xFF.

10.5.9.2.5 Read Management Receive Filter Parameters Command

In order to read the management receive filter parameters, the MC should execute two SMBus transactions. The first transaction is a block write that sets the parameter that the MC wants to read. The second transaction is block read that read the parameter.

Block write transaction:

| Function | Command | Byte Count | Data 1 | Data 2 |
|--------------------------------|---------|------------|------------------|----------------|
| Read MNG RCV filter parameters | 0xCC | 1 or 2 | Parameter number | Parameter data |

The different parameters supported for this command are the same as the parameters supported for update Management receive filter parameters.

Following the block write the MC should issue a block read that reads the parameter that was set in the Block Write command:

| Function | Command |
|-----------------------------------|---------|
| Request MNG RCV filter parameters | 0xCD |

Data returned from the I210:

| Function | Byte Count | Data 1 (Op-Code) | Data 2 | Data 3 | ... | Data N |
|--------------------------------|------------|------------------|------------------|---------------------|-----|--------|
| Read MNG RCV filter parameters | N | 0xCD | Parameter number | Parameter dependent | | |

The parameter that is returned might not be the parameter requested by the MC. The MC should verify the parameter number (default parameter to be returned is 0x1).

If the parameter number is 0xFF, it means that the data that was requested from the I210 should supply is not ready yet. The MC should retry the read transaction.

It is MC responsibility to follow the procedure previously defined. When the MC sends a Block Read command (as previously described) that is not preceded by a Block Write command with bytcount=1 or 2, the I210 sets the parameter number in the read block transaction to be 0xFF.



| Parameter | # | Parameter Data |
|-------------------------------------|------|---|
| Filters Enable | 0x01 | None |
| MNGONLY Configuration | 0x0F | None |
| Flex Filter Enable Mask and Length | 0x10 | None |
| Flex Filter Data | 0x11 | Data 2 — Group of Flex Filter's Bytes: 0x0 = bytes 0-29 0x1 = bytes 30-59 0x2 = bytes 60-89 0x3 = bytes 90-119 0x4 = bytes 120-127 |
| Decision Filters | 0x61 | This command is obsolete. Please use 0x68 instead. |
| VLAN Filters | 0x62 | One byte to define the accessed VLAN tag filter (MAVTV) Data 2 — VLAN Filter number |
| Flex Ports Filters | 0x63 | One byte to define the accessed manageability flex port filter (MFUTP). Data 2 — Flex Port Filter number |
| IPv4 Filter | 0x64 | One byte to define the accessed IPv4 address filter (MIPAF) Data 2 — IPv4 address filter number |
| IPv6 Filters | 0x65 | One byte to define the accessed IPv6 address filter (MIPAF) Data 2 — Pv6 address filter number |
| MAC Filters | 0x66 | One byte to define the accessed MAC address filters pair (MMAL, MMAH) Data 2 — MAC address filters pair number (0 - 3) |
| EtherType Filters | 0x67 | 1 byte to define Ethertype filters (METF) Data 2 — METF filter index (valid values are 0 - 3) |
| Extended Decision Filter | 0x68 | 1 byte to define the extended decisions filters (MDEF_EXT & MDEF) Data 2 — MDEF filter index (valid values are 0 - 6) |
| Management Special Filter Modifiers | 0x69 | No data |
| Wrong parameter request | 0xFE | Returned by the I210 only. This parameter is returned on read transaction, if in the previous read command the MC sets a parameter that is not supported by the I210. |
| The I210 is not ready | 0xFF | Returned by the I210 only, on read parameters command when the data that should have been read is not ready. This parameter has no data. This value is also returned if the byte count is illegal or if the read command is not preceded by a write command. |

10.5.9.2.6 Read Receive Enable Configuration Command

The MC uses this command to read the receive configuration data. This data can be configured when using Receive Enable command or through the Flash.

Read Receive Enable Configuration command format (SMBus Read Block) is as follows:

| Function | Command |
|---------------------|---------|
| Read Receive Enable | 0xDA |

Data returned from the I210:

| Function | Byte Count | Data 1 (Op-Code) | Data 2 | Data 3 | ... | Data 8 | Data 9 | ... | Data 12 | Data 13 | Data 14 | Data 15 |
|----------|------------|------------------|--------|--------|-----|--------|--------|-----|---------|---------|---------|---------|
| | | | | | | | | | | | | |



| | | | | | | | | | | | | |
|---------------------|-----------|------|----------------------|--------------|-----|--------------|-------------|-----|-------------|---------------|---------------|------------------|
| Read Receive Enable | 15 (0x0F) | 0xDA | Receive Control Byte | MAC Addr MSB | ... | MAC Addr LSB | IP Addr MSB | ... | IP Addr LSB | MC SMBus Addr | I/F Data Byte | Alert Value Byte |
|---------------------|-----------|------|----------------------|--------------|-----|--------------|-------------|-----|-------------|---------------|---------------|------------------|

The detailed description of each field is specified in the receive enable command description in [Section 10.5.9.1.3](#).

10.5.9.2.7 Get Controller Information Command

The MC uses this command to get the controller identification. In order to read the controller information, the MC should execute two SMBus transactions. The first transaction is a block write that sets the parameter that the MC wants to read. The second transaction is block read that read the parameter.

Block write transaction:

| Function | Command | Byte Count | Data 1 |
|----------------------------|---------|------------|------------------|
| Get Controller Information | 0xD5 | 1 | Parameter number |

Following the block write the MC should issue a block read that reads the parameter that was set in the Block Write command:

| Function | Command |
|----------------------------|---------|
| Get Controller Information | 0xD5 |

Data returned from the I210:

| Function | Byte Count | Data 1-Command | Data 2 (Op-Code) | Data 3 -n |
|----------------------------|---------------------------------|----------------|---------------------------------|--|
| Get Controller Information | Per Table 10-25 | 0xD5 | Per Table 10-25 | See Table 10-25 for the data for each opcode |

Table 10-25. Get Controller Information data

| Opcode | Byte Count | Description | Notes |
|--------|------------|---|---|
| 0x00 | 5 | Data 4:3: Device ID Data 5: Silicon Revision (RevID) | This is the HW default value, not any value programmed via Flash. |
| 0x0B | 4 | Data 4:3 Flash Image version | |
| 0x0C | 6 | Data 6:3: Firmware ROM Internal version | |
| 0x0D | 6 | Data 6:3: Firmware Flash Internal version | |



Table 10-25. Get Controller Information data

| | | | |
|------|---|----------------------------|---|
| 0x0E | 4 | Data 4:3: PXE FW version | MajorVersion.MinorVersion.Build.SubBuild |
| 0x0F | 4 | Data 4:3: iSCSI FW version | |
| 0x10 | 4 | Data 4:3: uEFI FW version | |
| 0xFE | 2 | Wrong parameter request | Returned by the I210 only. This parameter is returned on read transaction, if in the previous read command the MC sets a parameter that is not supported by the I210. |
| 0xFF | 2 | The I210 is not ready | Returned by the I210 only, on read parameters command when the data that should have been read is not ready. This parameter has no data. The MC should retry the read transaction. This value is also returned if the byte count is illegal or if the read command is not preceded by a write command. |

10.5.9.2.8 Get Common Filters Command

The MC uses this command to get the common filters setting. This data can be configured when using Set Common Filters command. The first transaction is a block write that alerts that the MC wants to read the filters configuration. The second transaction is block read that read the configuration.

Block write transaction:

| Function | Command | Byte count | Data |
|--------------------|---------|------------|------|
| Get Common Filters | 0xD3 | 1 | 0x00 |

Following the block write the MC should issue a block read that reads the filter settings:

| Function | Command |
|--------------------|---------|
| Get Common filters | 0xD3 |

Data returned from the I210:

| Function | Byte Count | Command | | Data 1 | Data 2:4 | 5:10 | Data 11 | Data 12 | Data 13 | Data 14:17 |
|--------------------|------------|---------|--|--------|-----------------------------------|---------------|------------------|---------------------|------------------|--------------|
| Get Common Filters | 18 | 0xD3 | | 0 | Receive Control - see Table 10-14 | MAC Addresses | MC Alert Address | Interface Data Byte | Alert Value Byte | IPv4 Address |



| Function | Byte Count | Command | Data 1 | Data 2:4 | 5:10 | Data 11 | Data 12 | Data 13 | Data 14:29 |
|--------------------|------------|---------|--------|-----------------------------------|---------------|------------------|---------------------|------------------|--------------|
| Get Common Filters | 30 | 0xD3 | 0 | Receive Control - see Table 10-14 | MAC Addresses | MC Alert Address | Interface Data Byte | Alert Value Byte | IPv6 Address |

If case of error the following answers may be returned

| Function | Command | Byte Count | Data 1 |
|--------------------|---------|------------|--------|
| Get Common Filters | 0xD3 | 1 | 0xFF |

This response is by the I210, on read common filter command when the data that should have been read is not ready. This parameter has no data. The MC should retry the read transaction.

This value is also returned if the byte count is illegal or if the read command is not preceded by a write command.

10.5.10 Example Configuration Steps

This section provides sample configuration settings for common filtering configurations. Three examples are presented. The examples are in pseudo code format, with the name of the SMBus command followed by the parameters for that command and an explanation.

10.5.10.1 Example 1 - Shared MAC, RMCP Only Ports

This example is the most basic configuration. The MAC address filtering is shared with the Host operating system and only traffic directed the RMCP ports (26Fh & 298h) is filtered. For this example, the MC must issue gratuitous ARPs because no filter is enabled to pass ARP requests to the MC.

10.5.10.1.1 Example 1 Pseudo Code

Step 1: Disable existing filtering

Receive Enable[00]

Utilizing the simple form of the Receive Enable command, this prevents any packets from reaching the MC by disabling filtering:

Receive Enable Control 00h:

- Bit 0 [0] – Disable Receiving of packets

Step 2: Configure MDEF[0]

Update Manageability Filter Parameters [68, 0, C0000000, 00000000]



Use the Update Manageability Filter Parameters command to update Decision Filters (MDEF) (parameter 68h). This will update MDEF[0], as indicated by the 2nd parameter (0).

MDEF[0] value of C0000000h:

- Bit 30 [1] – port 298h
- Bit 31 [1] – port 26Fh

MDEF_EXT[0] value of 0000000h:

Step 3: Configure *MNGONLY*

Update Manageability Filter Parameters [F, 0, 00000001]

Use the Update Manageability Filter Parameters command to update Manageability Only (*MNGONLY*) (parameter Fh) so that port 298h and 26Fh would not be sent to the Host.

- Bit [0] - *MDEF[0]* is exclusive to the MC.

Step 4: - Enable Filtering

Receive Enable [05]

Using the simple form of the Receive Enable command:

Receive Enable Control 05h:

- Bit 0 [1] – Enable Receiving of packets
- Bit 2 [1] – Enable status reporting (such as link lost)
- Bit 5:4 [00] – Notification method = SMB Alert
- Bit 7 [0] – Use shared MAC

The resulting *MDEF* filters are as follows:

Table 10-26. Example 1 MDEF Results

| | | Manageability Decision Filter (MDEF) | | | | | | | |
|-------------------------|-----|--------------------------------------|---|---|---|---|---|---|---|
| Filter | | 0 | 1 | 2 | 3 | 4 | 5 | 6 | 7 |
| L2 Exact Address[3:0] | AND | | | | | | | | |
| Broadcast | AND | | | | | | | | |
| Manageability VLAN[7:0] | AND | | | | | | | | |
| IPv6 Address[3:0] | AND | | | | | | | | |
| IPv4 Address[3:0] | AND | | | | | | | | |
| L2 Exact Address[3:0] | OR | | | | | | | | |
| Broadcast | OR | | | | | | | | |
| Multicast | AND | | | | | | | | |
| ARP Request | OR | | | | | | | | |
| ARP Response | OR | | | | | | | | |
| Neighbor Discovery | OR | | | | | | | | |
| Port 0x298 | OR | X | | | | | | | |
| Port 0x26F | OR | X | | | | | | | |
| Flex Port 7:0 | OR | | | | | | | | |
| Flex TCO | OR | | | | | | | | |



10.5.10.2 Example 2 - Dedicated MAC, Auto ARP Response and RMCP Port Filtering

This example shows a common configuration; the MC has a dedicated MAC and IP address. Automatic ARP responses will be enabled as well as RMCP port filtering. By enabling Automatic ARP responses the MC is not required to send the gratuitous ARPs as it did in Example 1.

For demonstration purposes, the dedicated MAC address will be calculated by reading the System MAC address and adding 1 to it, assume the System MAC is AABBCDC. The IP address for this example will be 1.2.3.4. Additionally, the XSUM filtering will be enabled.

10.5.10.2.1 Example 2 - Pseudo Code

Step 1: Disable existing filtering

Receive Enable[00]

Utilizing the simple form of the Receive Enable command, this prevents any packets from reaching the MC by disabling filtering:

Receive Enable Control 00h:

- Bit 0 [0] – Disable Receiving of packets

Step 2: Read System MAC Address

Get System MAC Address []

Reads the System MAC address. Assume returned AABBCDC for this example.

Step 3: Configure XSUM Filter

Update Manageability Filter Parameters [01, 00800000]

Use the Update Manageability Filter Parameters command to update Filters Enable settings (parameter 1). This sets the Manageability Control (MANC) Register.

MANC Register 00800000h:

- Bit 23 [1] - XSUM Filter enable

Note that some of the following configuration steps manipulate the MANC register indirectly, this command sets all bits except XSUM to 0. It is important to either do this step before the others, or to read the value of the MANC and then write it back with only bit 32 changed. Also note that the XSUM enable bit may differ between Ethernet Controllers, refer to product specific documentation.

Step 4: Configure MDEF[0]

Update Manageability Filter Parameters [68, 0, C0000000]

Use the Update Manageability Filter Parameters command to update Decision Filters (MDEF) (parameter 68h). This will update MDEF[0], as indicated by the 2nd parameter (0).

MDEF value of 0000C00h:

- Bit 30 [1] – port 298h
- Bit 31 [1] – port 26Fh

MDEF_EXT[0] value of 0000000h:

Step 5: Configure MDEF[1]

Update Manageability Filter Parameters [68, 1, 10000000, 00000000]

Use the Update Manageability Filter Parameters command to update Decision Filters (MDEF) (parameter 68h). This will update MDEF[1], as indicated by the 2nd parameter (1).



MDEF value of 10000000:

- Bit 28 [1] – ARP Requests

MDEF_EXT[0] value of 0000000h:

When Enabling Automatic ARP responses, the ARP requests still go into the manageability filtering system and as such need to be designated as also needing to be sent to the Host. For this reason a separate MDEF is created with only ARP request filtering enabled.

Refer to the next step for more details.

Step 6: Configure Manageability only

Update Manageability Filter Parameters [F, 0, 00000001]

Use the Update Manageability Filter Parameters command to update Manageability Only (MNGONLY) (parameter Fh) so that port 298h and 26Fh would not be sent to the Host.

- Bit [0] - MDEF[0] is exclusive to the MC.

This allows ARP requests to be passed to both manageability and to the Host. Specified separate MDEF filter for ARP requests. If ARP requests had been added to *MDEF[0]* and then *MDEF[0]* specified in Management Only configuration then not only would RMCP traffic (ports 26Fh and 298h) be sent only to the MC, ARP requests would have also been sent to the MC only.

Step 7: Enable Filtering

Receive Enable [8D, AABBCDD, 01020304, 00, 00, 00]

Using the advanced version Receive Enable command, the first parameter:

Receive Enable Control 8Dh:

- Bit 0 [1] – Enable Receiving of packets
- Bit 2 [1] – Enable status reporting (such as link lost)
- Bit 3 [1] – Enable Automatic ARP Responses
- Bit 5:4 [00] – Notification method = SMB Alert
- Bit 7 [1] - Use dedicated MAC

Second parameter is the MAC address (AABBCDD).

Third Parameter is the IP address(01020304).

The last three parameters are zero when the notification method is SMB Alert.

The resulting *MDEF* filters are as follows:

Table 10-27. Example 2 MDEF Results

| | | Manageability Decision Filter (MDEF) | | | | | | | |
|-------------------------|-----|--------------------------------------|---|---|---|---|---|---|---|
| Filter | | 0 | 1 | 2 | 3 | 4 | 5 | 6 | 7 |
| L2 Exact Address[3:0] | AND | | | | | | | | |
| Broadcast | AND | | | | | | | | |
| Manageability VLAN[7:0] | AND | | | | | | | | |
| IPv6 Address[3:0] | AND | | | | | | | | |
| IPv4 Address[3:0] | AND | | | | | | | | |
| L2 Exact Address[3:0] | OR | | | | | | | | |
| Broadcast | OR | | | | | | | | |
| Multicast | AND | | | | | | | | |
| ARP Request | OR | | X | | | | | | |



Table 10-27. Example 2 MDEF Results

| | | Manageability Decision Filter (MDEF) | | | | | | | |
|--------------------|----|--------------------------------------|---|---|---|---|---|---|---|
| Filter | | 0 | 1 | 2 | 3 | 4 | 5 | 6 | 7 |
| ARP Response | OR | | | | | | | | |
| Neighbor Discovery | OR | | | | | | | | |
| Port 0x298 | OR | X | | | | | | | |
| Port 0x26F | OR | X | | | | | | | |
| Flex Port 7:0 | OR | | | | | | | | |
| Flex TCO | OR | | | | | | | | |

10.5.10.3 Example 3 - Dedicated MAC and IP Address

This example provided the MC with a dedicated MAC and IP address and allows it to receive ARP requests. The MC is then responsible for responding to ARP requests.

For demonstration purposes, the dedicated MAC address will be calculated by reading the System MAC address and adding 1 to it, assume the System MAC is AABBCDC. The IP address for this example will be 1.2.3.4. For this example, the Receive Enable command is used to configure the MAC address filter.

In order for the MC to be able to receive ARP Requests, it will need to specify a filter for this, and that filter will need to be included in the Manageability To Host filtering so that the Host OS may also receive ARP Requests.

10.5.10.3.1 Example 3 - Pseudo Code

Step 1: Disable existing filtering

Receive Enable[00]

Utilizing the simple form of the Receive Enable command, this prevents any packets from reaching the MC by disabling filtering:

Receive Enable Control 00h:

- Bit 0 [0] – Disable Receiving of packets

Step 2: Read System MAC Address

Get System MAC Address []

Reads the System MAC address. Assume returned AABBCDC for this example.

Step 3: Configure IP Address Filter

Update Manageability Filter Parameters [64, 00, 01020304]

Use the Update Manageability Filter Parameters to configure an IPv4 filter.

The 1st parameter (64h) specifies that we are configuring an IPv4 filter.

The 2nd parameter (00h) indicates which IPv4 filter is being configured, in this case filter 0.

The 3rd parameter is the IP address – 1.2.3.4.

Step 4: Configure MAC Address Filter

Update Manageability Filter Parameters [66, 00, AABBCDD]

Use the Update Manageability Filter Parameters to configure a MAC Address filter.

The 1st parameter (66h) specifies that we are configuring a MAC Address filter.



The 2nd parameter (00h) indicates which MAC Address filter is being configured, in this case filter 0.

The 3rd parameter is the MAC Address - AABBCDD

Step 5: Configure *MDEF[0]* for IP and MAC Filtering

Update Manageability Filter Parameters [68, 0, 00002001, 00000000]

Use the Update Manageability Filter Parameters command to update Decision Filters (*MDEF*) (parameter 68h). This will update *MDEF[0]*, as indicated by the 2nd parameter (0).

MDEF value of 00002001:

- Bit 0 [1] – MAC[0] Address Filtering
- Bit 13 [1] – IP[0] Address Filtering

MDEF_EXT[0] value of 0000000h:

Step 6: Configure *MDEF[1]*

Update Manageability Filter Parameters [68, 1, 10000000]

Use the Update Manageability Filter Parameters command to update Decision Filters (*MDEF*) (parameter 68h). This will update *MDEF[1]*, as indicated by the 2nd parameter (1).

MDEF value of 10000000:

- Bit 28 [1] – ARP Requests

MDEF_EXT[0] value of 0000000h:

Step 7: Configure the Management to Host Filter

Update Manageability Filter Parameters [F, 0, 00000001]

Use the Update Manageability Filter Parameters command to update Manageability Only (*MNGONLY*) (parameter Fh) so that the dedicated MAC/IP traffic would not be sent to the Host. Note that given the Host will not program this address in its L2 filtering, this step is not a must, unless the Host chooses to work in promiscuous mode.

- Bit [0] - *MDEF[0]* is exclusive to the MC.

Step 8: Enable Filtering

Receive Enable [05]

Using the simple form of the Receive Enable command, :
Receive Enable Control 05h:

- Bit 0 [1] – Enable Receiving of packets
- Bit 2 [1] – Enable status reporting (such as link lost)
- Bit 5:4 [00] – Notification method = SMB Alert

The resulting *MDEF* filters are as follows:

Table 10-28. Example 3 MDEF Results

| | | Manageability Decision Filter (MDEF) | | | | | | | |
|-----------------------|-----|--------------------------------------|---|---|---|---|---|---|---|
| Filter | | 0 | 1 | 2 | 3 | 4 | 5 | 6 | 7 |
| L2 Exact Address[3:0] | AND | 0001 | | | | | | | |
| Broadcast | AND | | | | | | | | |



Table 10-28. Example 3 MDEF Results

| | | | | | | | | | |
|-------------------------|-----|------|---|--|--|--|--|--|--|
| Manageability VLAN[7:0] | AND | | | | | | | | |
| IPv6 Address[3:0] | AND | | | | | | | | |
| IPv4 Address[3:0] | AND | 0001 | | | | | | | |
| L2 Exact Address[3:0] | OR | | | | | | | | |
| Broadcast | OR | | | | | | | | |
| Multicast | AND | | | | | | | | |
| ARP Request | OR | | X | | | | | | |
| ARP Response | OR | | | | | | | | |
| Neighbor Discovery | OR | | | | | | | | |
| Port 0x298 | OR | | | | | | | | |
| Port 0x26F | OR | | | | | | | | |
| Flex Port 7:0 | OR | | | | | | | | |
| Flex TCO | OR | | | | | | | | |

10.5.10.4 Example 4 - Dedicated MAC and VLAN Tag

This example shows an alternate configuration; the MC has a dedicated MAC and IP address, along with a VLAN tag of 32h will be required for traffic to be sent to the MC. This means that all traffic with VLAN a matching tag will be sent to the MC.

For demonstration purposes, the dedicated MAC address will be calculated by reading the System MAC address and adding 1 do it, assume the System MAC is AABBCDC. The IP address for this example will be 1.2.3.4 and the VLAN tag will be 0032h.

Additionally, the XSUM filtering will be enabled.

10.5.10.4.1 Example 4 - Pseudo Code

Step 1: Disable existing filtering

Receive Enable[00]

Utilizing the simple form of the Receive Enable command, this prevents any packets from reaching the MC by disabling filtering:

Receive Enable Control 00h:

- Bit 0 [0] – Disable Receiving of packets

Step 2: - Read System MAC Address

Get System MAC Address []

Reads the System MAC address. Assume returned AABBCDC for this example.

Step 3: Configure XSUM Filter

Update Manageability Filter Parameters [01, 00800000]

Use the Update Manageability Filter Parameters command to update Filters Enable settings (parameter 1). This set the Manageability Control (MANC) Register.

MANC Register 00800000h:

- Bit 23 [1] – XSUM Filter enable

Note: Some of the following configuration steps manipulate the MANC register indirectly, this command sets all bits except XSUM to 0. It is important to either do this step before the others, or to read the value of the MANC and then write it back with only bit 32 changed. Also



note that the XSUM enable bit may differ between Ethernet Controllers, refer to product specific documentation.

Step 4: Configure VLAN 0 Filter

Update Manageability Filter Parameters [62, 0, 0032]

Use the Update Manageability Filter Parameters command to configure VLAN filters. Parameter 62h indicates update to VLAN Filter, the 2nd parameter indicates which VLAN filter (0 in this case), the last parameter is the VLAN ID (0032h).

Step 5: Configure MDEF[0]

Update Manageability Filter Parameters [68, 0, 00000020]

Use the Update Manageability Filter Parameters command to update Decision Filters (MDEF) (parameter 68h). This will update MDEF[0], as indicated by the 2nd parameter (0).

MDEF value of 00000020:

- Bit 5 [1] – VLAN[0] AND

MDEF_EXT[0] value of 0000000h:

Step 6: Enable Filtering

Receive Enable [85, AABBCDD, 01020304, 00, 00, 00]

Using the advanced version Receive Enable command, the first parameter:

Receive Enable Control 85h:

- Bit 0 [1] – Enable Receiving of packets
- Bit 2 [1] – Enable status reporting (such as link lost)
- Bit 5:4 [00] – Notification method = SMB Alert
- Bit 7 [1] – Use Dedicated MAC

Second parameter is the MAC address: AABBCDD.

Third Parameter is the IP address: 01020304.

The last three parameters are zero when the notification method is SMBus Alert.

The resulting MDEF filters are as follows:

Table 10-29. Example 4 MDEF Results

| | | Manageability Decision Filter (MDEF) | | | | | | | |
|-------------------------|-----|--------------------------------------|---|---|---|---|---|---|------|
| Filter | | 0 | 1 | 2 | 3 | 4 | 5 | 6 | 7 |
| L2 Exact Address[3:0] | AND | | | | | | | | 0001 |
| Broadcast | AND | | | | | | | | |
| Manageability VLAN[7:0] | AND | X | | | | | | | |
| IPv6 Address[3:0] | AND | | | | | | | | |
| IPv4 Address[3:0] | AND | | | | | | | | |
| L2 Exact Address[3:0] | OR | | | | | | | | |
| Broadcast | OR | | | | | | | | |
| Multicast | AND | | | | | | | | |
| ARP Request | OR | | | | | | | | |
| ARP Response | OR | | | | | | | | |
| Neighbor Discovery | OR | | | | | | | | |
| Port 0x298 | OR | | | | | | | | |



Table 10-29. Example 4 MDEF Results

| | | Manageability Decision Filter (MDEF) | | | | | | | |
|---------------|----|--------------------------------------|---|---|---|---|---|---|---|
| Filter | | 0 | 1 | 2 | 3 | 4 | 5 | 6 | 7 |
| Port 0x26F | OR | | | | | | | | |
| Flex Port 7:0 | OR | | | | | | | | |
| Flex TCO | OR | | | | | | | | |

10.6 NC-SI Pass Through Interface

The Network Controller Sideband Interface (NC-SI) is a DMTF industry standard protocol for the sideband interface. NC-SI uses a modified version of the industry standard RMI interface for the physical layer as well as defining a new logical layer.

The NC-SI specification can be found at:

<http://www.dmtf.org/>

10.6.1 Overview

10.6.1.1 Terminology

The terminology in this document is taken from the NC-SI specification.

Table 10-30. NC-SI Terminology

| Term | Definition |
|---------------------------------------|--|
| Frame Versus Packet | Frame is used in reference to Ethernet, whereas packet is used everywhere else. |
| External Network Interface | The interface of the network controller that provides connectivity to the external network infrastructure (port). |
| Internal Host Interface | The interface of the network controller that provides connectivity to the Host OS running on the platform. |
| Management Controller (BMC) | An intelligent entity comprising of HW/FW/SW, that resides within a platform and is responsible for some or all management functions associated with the platform (BMC, service processor, etc.). |
| Network Controller (NC) | The component within a system that is responsible for providing connectivity to the external Ethernet network world. |
| Remote Media | The capability to allow remote media devices to appear as if they were attached locally to the Host. |
| Network Controller Sideband Interface | The interface of the network controller that provides connectivity to a management controller. It can be shorten to sideband interface as appropriate in the context. |
| Interface | This refers to the entire physical interface, such as both the transmit and receive interface between the management controller and the network controller. |
| Integrated Controller | The term integrated controller refers to a network controller device that supports two or more channels for NC-SI that share a common NC-SI physical interface. For example, a network controller that has two or more physical network ports and a single NC-SI bus connection. |
| Multi-Drop | Multi-drop commonly refers to the case where multiple physical communication devices share an electrically common bus and a single device acts as the master of the bus and communicates with multiple slave or target devices. In NC-SI, a management controller serves the role as the master, and the network controllers are the target devices. |

**Table 10-30. NC-SI Terminology**

| Term | Definition |
|---------------------------------------|---|
| Point-to-Point | Point-to-point commonly refers to the case where only two physical communication devices are interconnected via a physical communication medium. The devices might be in a master/slave relationship, or could be peers. In NC-SI, point-to-point operation refers to the situation where only a single management controller and single network controller package are used on the bus in a master/slave relationship where the management controller is the master. |
| Channel | The control logic and data paths supporting NC-SI pass-through operation on a single network interface (port). A network controller that has multiple network interface ports can support an equivalent number of NC-SI channels. |
| Package | One or more NC-SI channels in a network controller that share a common set of electrical buffers and common buffer control for the NC-SI bus. Typically, there will be a single, logical NC-SI package for a single physical network controller package (chip or module). However, the specification allows a single physical chip or module to hold multiple NC-SI logical packages. |
| Control Traffic/Messages/Packets | Command, response and notification packets transmitted between the BMC and the I210 for the purpose of managing NC-SI. |
| Pass-Through Traffic/Messages/Packets | Non-control packets passed between the external network and the BMC through the I210. |
| Channel Arbitration | Refer to operations where more than one of the network controller channels can be enabled to transmit pass-through packets to the BMC at the same time, where arbitration of access to the RXD, CRS_DV, and RX_ER signal lines is accomplished either by software or hardware means. |
| Logically Enabled/Disabled NC | Refers to the state of the network controller wherein pass-through traffic is able/unable to flow through the sideband interface to and from the management controller, as a result of issuing Enable/Disable Channel command. |
| NC RX | Defined as the direction of ingress traffic on the external network controller interface |
| NC TX | Defined as the direction of egress traffic on the external network controller interface |
| NC-SI RX | Defined as the direction of ingress traffic on the sideband enhanced NC-SI Interface with respect to the network controller. |
| NC-SI TX | Defined as the direction of egress traffic on the sideband enhanced NC-SI Interface with respect to the network controller. |

10.6.1.2 System Topology

In NC-SI each physical endpoint (NC package) can have several logical slaves (NC channels).

NC-SI defines that one management controller and up to four network controller packages can be connected to the same NC-SI link.

Figure 10-4 shows an example topology for a single BMC and a single NC package. In this example, the NC package has two NC channels.

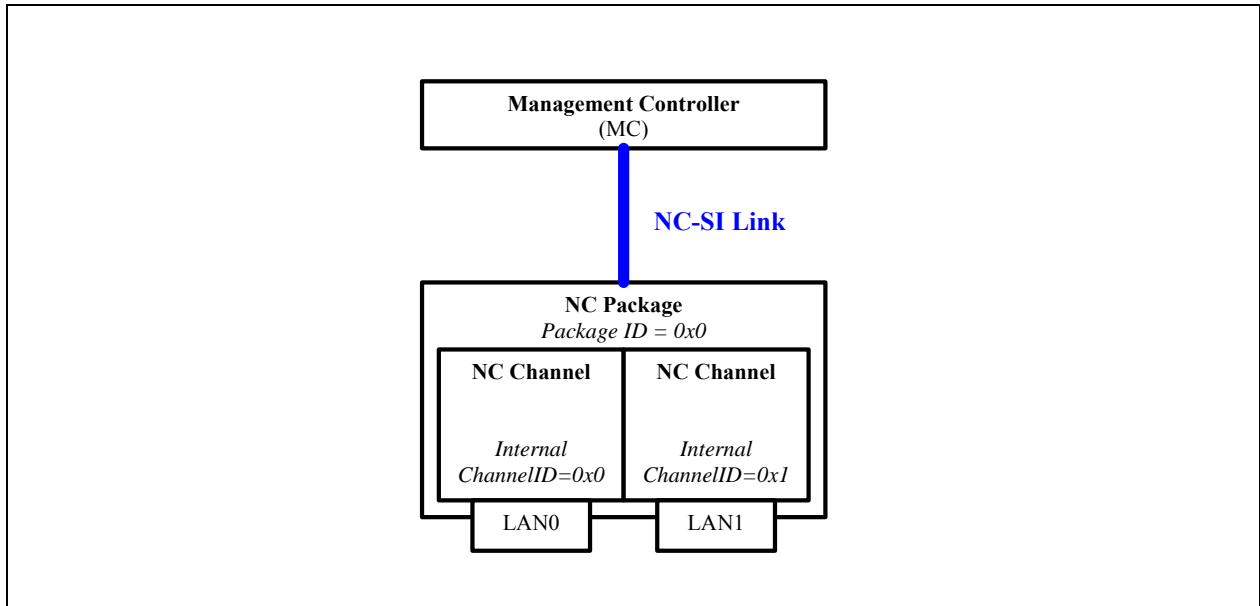


Figure 10-4. Single NC Package, Two NC Channels

Figure 10-5 shows an example topology for a single BMC and two NC packages. In this example, one NC package has two NC channels and the other has only one NC channel. Scenarios in which the NC-SI lines are shared by multiple NCs (Figure 10-5) mandate an arbitration mechanism.

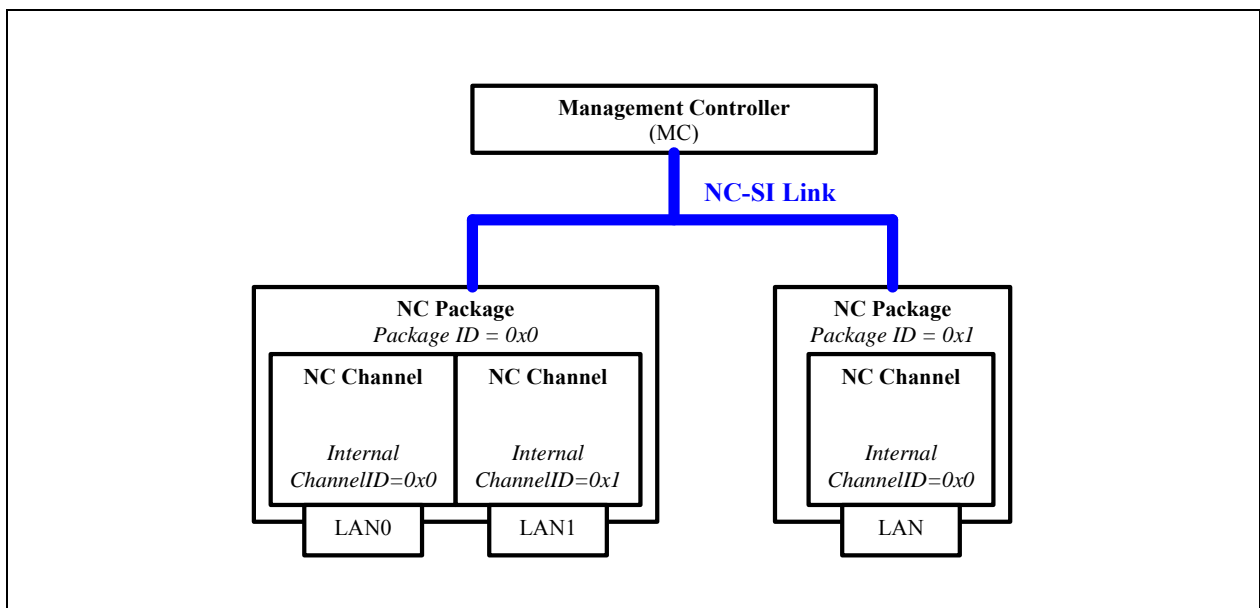


Figure 10-5. Two NC Packages (Left, with Two NC Channels and Right, with One NC Channel)



10.6.1.3 Data Transport

Since NC-SI is based upon the RMIi transport layer, data is transferred in the form of Ethernet frames.

NC-SI defines two types of transmitted frames:

1. Control frames:
 - a. Configures and control the interface
 - b. Identified by a unique EtherType in their L2 header
2. Pass-through frames:
 - a. Actual LAN pass-through frames transferred from/to the BMC
 - b. Identified as not being a control frame
 - c. Attributed to a specific NC channel by their source MAC address (as configured in the NC by the BMC)

10.6.1.3.1 Control Frames

NC-SI control frames are identified by a unique NC-SI EtherType (0x88F8).

Control frames are used in a single-threaded operation, meaning commands are generated only by the BMC and can only be sent one at a time. Each command from the BMC is followed by a single response from the NC (command-response flow), after which the BMC is allowed to send a new command.

The only exception to the command-response flow is the Asynchronous Event Notification (AEN). These control frames are sent unsolicited from the NC to the BMC.

AEN functionality by the NC must be disabled by default, until activated by the BMC using the Enable AEN commands.

In order to be considered a valid command, a control frame must:

1. Comply with the NC-SI header format.
2. Be targeted to a valid channel in the package via the Package ID and Channel ID fields. For example, to target a NC channel with package ID of 0x2 and internal channel ID of 0x5, the BMC must set the channel ID inside the control frame to 0x45. The channel ID is composed of three bits of package ID and five bits of internal channel ID.
3. Contain a correct payload checksum (if used).
4. Meet any other condition defined by NC-SI.

There are also commands (such as select package) targeted to the package as a whole. These commands must use an internal channel ID of 0x1F.

For details, refer to the NC-SI specification.

10.6.1.3.2 NC-SI Frames Receive Flow

Figure 10-6 shows the flow for frames received on the NC from the BMC.

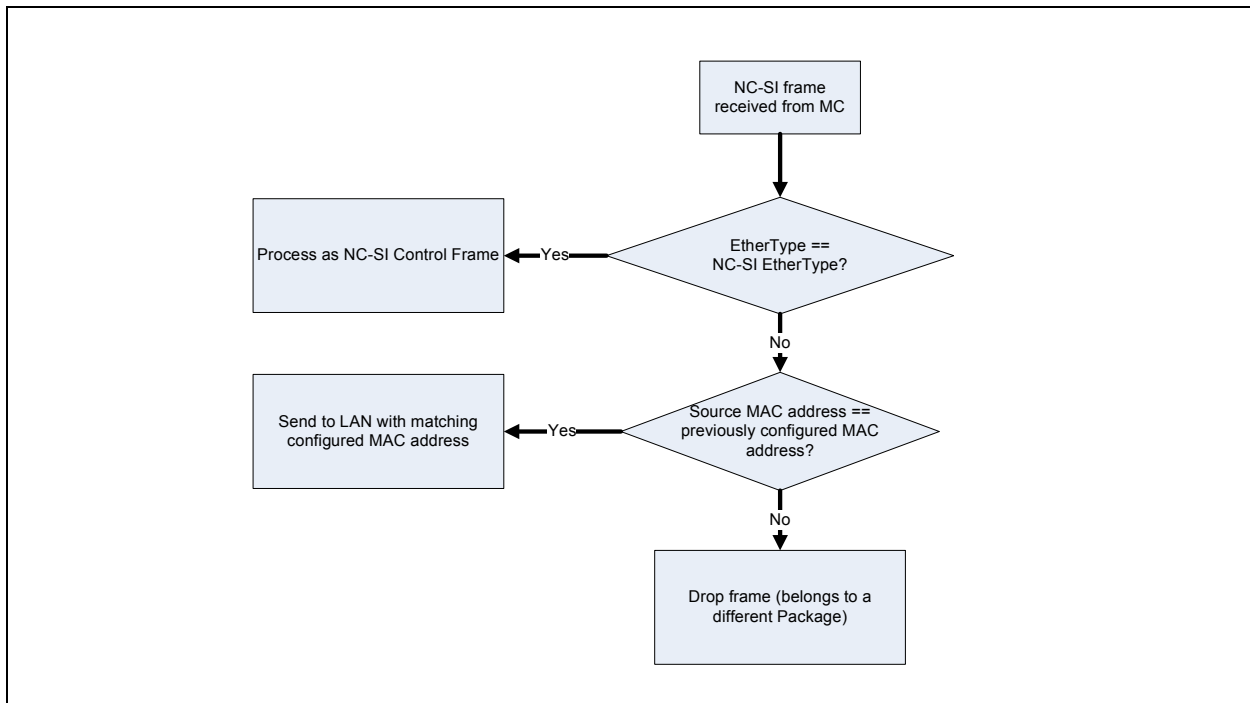


Figure 10-6. NC-SI Frames Receive Flow for the NC

10.6.2 Supported Features

The I210 supports all the mandatory features of the NC-SI specification (rev 1.0.0). Table 10-31 lists the supported commands.

Note: If an unsupported command is received, an error is returned with a response = Unsupported (0x3) and reason = UNKNOWN_COMMAND (0x7ff).

Table 10-32 lists optional features supported.

Table 10-31. Supported NC-SI Commands

| Command | Supported over NC-SI | Supported over MCTP with Pass Through | Supported over MCTP without Pass Through |
|----------------------------------|----------------------|---------------------------------------|--|
| Clear initial state | Yes | Yes | Yes |
| Get Version ID | Yes | Yes | Yes |
| Get Parameters | Yes | Yes | Yes |
| Get Controller Packet Statistics | Yes, partially | Yes, partially | Yes, partially |
| Get Link Status | Yes | Yes | Yes |
| Enable Channel | Yes | Yes | Yes |
| Disable Channel | Yes | Yes | Yes |
| Reset Channel | Yes | Yes | Yes |
| Enable VLAN | Yes ¹ | Yes ¹ | No ² |

**Table 10-31. Supported NC-SI Commands**

| Command | Supported over NC-SI | Supported over MCTP with Pass Through | Supported over MCTP without Pass Through |
|-----------------------------------|----------------------|---------------------------------------|--|
| Disable VLAN | Yes | Yes | No ² |
| Enable Broadcast Filter | Yes | Yes | No ² |
| Disable Broadcast Filter | Yes | Yes | No ² |
| Set MAC Address | Yes | Yes | No ² |
| Get NC-SI Statistics | Yes | Yes | Yes, partially |
| Set NC-SI Flow-Control | Yes | No | No ² |
| Set Link Command | Yes ^{3,4} | Yes ^{3,4} | Yes |
| Enable Global multicast Filter | Yes | Yes | No ² |
| Disable Global multicast Filter | Yes | Yes | No ² |
| Get Capabilities | Yes | Yes | Yes |
| Set VLAN Filters | Yes | Yes | No ² |
| AEN Enable | Yes | Yes | Yes |
| Get NC-SI Pass-Through Statistics | Yes, partially | Yes, partially | No ² |
| Select Package | Yes | Yes | No |
| Deselect Package | Yes | Yes | No |
| Enable Channel Network TX | Yes | Yes | No |
| Disable Channel Network TX | Yes | Yes | No |
| OEM Command ⁵ | Yes | Yes | Yes |

1. The I210 does not support filtering of User priority/CFI Bits of VLAN
2. In MCTP without pass through mode, only control commands are supported and not pass through traffic - thus many of the regular NC-SI commands are not supported or are supported in a limited manner, only to allow control and status reporting for the device.
3. When working with SGMII interface, this command is not supported.
4. When one of the LAN devices is assigned for the sole use of the manageability and its LAN PCI-E function is disabled, using the NC-SI Set Link command while advertising multiple speeds and enabling Auto-Negotiation, will result in the lowest possible speed chosen. To enable higher link speed, the MC should not advertise speeds that are below the desired link speed. When doing it, changing the power state of the LAN device will have no effect and the link speed will not be re-negotiated.
5. See [Section 10.6.2.4](#) for details.

Table 10-32. Optional NC-SI Features Support

| Feature | Implement | Details |
|--|----------------|--|
| AENs | Yes | The Driver state AEN may be emitted up to 15 sec. after actual driver change. |
| Get Controller Packet Statistics command | Yes, partially | Supports the following counters ¹ : 2-9,13-18 ² |
| Get NC-SI statistics | Yes | All counters are supported |
| Get NC-SI Pass-Through Statistics | Yes, partially | Support the following counters: 1, 2, 6, 7. |
| VLAN Modes | Yes, partially | Support only modes 1, 3. |
| Buffering Capabilities | Yes | 8176 bytes |
| MAC Address Filters | Yes | Supports 2 mixed MAC addresses. |
| Channel Count | Yes | Supports 1 channels. |
| VLAN Filters | Yes | Support 8 VLAN filters. Filtering is ignoring the CFI bit and the 802.1P priority bits |



Table 10-32. Optional NC-SI Features Support

| Feature | Implement | Details |
|----------------------|-----------|--|
| Broadcast Filters | Yes | Support the following filters: ARP DHCP Net BIOS |
| Multicast Filters | Yes | Supports the following filters: IPv6 Neighbor Advertisement IPv6 Router Advertisement DHCPv6 relay and server multicast |
| Hardware Arbitration | Yes | Supports NC-SI HW arbitration. |

1. *TCTL.EN* should be set to 1b to activate TX related counters and *RCTL.RXEN*, *MANC.RCV_EN* or *WUC.APME* should be set to enable RX related counters.
2. As described in the Get Controller Packet Statistics Counter Numbers table in NC-SI spec.

10.6.2.1 Set Link Error Codes

The following rules are used to define the error code returned for Set Link command in case an invalid configuration is requested:

1. Host Driver Check: If host device driver is present, return a Command Specific Response (0x9) with a Set Link Host OS/Driver Conflict Reason (0x1).
2. Speed Present Check: If no speed is selected, return a General Reason Code for a failed command (0x1) with Parameter Is Invalid, Unsupported, or Out-of-Range Reason (0x2).
3. Parameter Validity:
 - a. Auto Negotiation Parameter Validation: If Auto Negotiation is requested and none of the selected parameters are valid for the device, return a General Reason Code for a failed command (0x1) with a Parameter Is Invalid, Unsupported, or Out-of-Range Reason (0x2).

Note: This means that, for example, a command requesting 10G on a 1G device will succeed provided that the command requests at least one other supported speed. The same goes for an unsupported duplex setting (a device with no HD support will accept a command with both FD and HD set), and also for HD being requested with speeds of 1G and higher as long as a speed below 1G is also requested (and is supported in HD). The device will simply ignore the unsupported parameters.

- b. Force Mode Parameter Validation:
 1. If more than one link speed is being forced, then return a a General Reason Code for a failed command (0x1) and a Command Specific Reason with a Set Link Speed Conflict Error (0x0905).
 2. If more than one duplex setting is being forced, then return a General Reason Code for a failed command (0x1) with Parameter Is Invalid, Unsupported, or Out-of-Range Reason (0x2).
 3. If 1G and above is requested with HD, then return a a General Reason Code for a failed command (0x1) and a Command Specific Reason with Set Link Parameter Conflict Error (0x0903).
4. Media Type Compatibility Check: If current media type is not compatible for the requested link parameters, return a a General Reason Code for a failed command (0x1) and a Command Specific Reason with Set Link Media Conflict Error (0x0902).
5. Power State Compatibility Check: If current power state does not allow for the requested link parameters, return a a General Reason Code for a failed command (0x1) and a Command Specific Reason with Set Link Power Mode Conflict Reason (0x0904).



6. If for some reason the hardware cannot perform the flow required for the command, return a General Reason Code for a failed command (0x1) and a Command Specific Reason with Link Command Failed-Hardware Access Error (0x0906).

10.6.2.2 NC-SI PHY Power Down Conditions

In NC-SI mode, the device may dynamically change the PHY power mode according to the NC-SI channel state assuming no other functionality requires the PHY to be active (host, proxy or wakeup). The following algorithm is used to define if PHY activity is required:

- At init time, if the manageability mode is NC-SI, PHY is required to be active only if the Enable All PHYs in D3 N bit in Common Firmware Parameters Flash word is set.
- Once a channel is enabled via Enable Channel NC-SI command, The PHY is powered up.
- If the Channel is disabled either through a Disable Channel command with ALD bit set or via a Reset Channel command, the PHY power state is set back to the init value as define by the All PHYs in D3 N bit.

10.6.2.3 Error Conditions

In some cases, the I210 may not be ready to react to a received NC-SI command. In these cases, a response with a Command Failed (0x1) response code and a Package Not Ready (0x0004) reason code. In this case, it is recommended to wait 300 ms before retrying the command.

10.6.2.4 AEN Handling

Asynchronous events may occur when the device is not allowed to send them. The following rules defines the behavior of the I210 in these cases:

1. While the device is disabled, for each type of AEN only the last event is kept
2. Outstanding AENs that occurred while package was deselected will be transmitted when package is selected.
3. On a transition from Channel Disabled to Channel Enabled, all outstanding event are erased to prevent stale events notifications.

10.6.3 NC-SI Mode — Intel OEM Commands

In addition to regular NC-SI commands, the following Intel vendor specific commands are supported (OEM command 0x50 with IANA = 0x157). The purpose of these commands is to provide a means for the MC to access some of the Intel-specific features present in the I210.

10.6.3.1 Overview

The following features are available via the NC-SI OEM specific commands:

- Receive filters:
 - Packet Addition Decision Filters 0x0...0x4
 - Packet Reduction Decision Filters 0x5...0x7
 - *MNGONLY* register (controls the forwarding of manageability packets to the Host)
 - Flex 128 filter
 - Flex TCP/UDP port filters 0x0...0xA



- IPv4/IPv6 filters
- Get System MAC Address — This command enables the MC to retrieve the system MAC address used by the NC. This MAC address can be used for a shared MAC address mode.
- Keep PHY Link Up (*Veto* bit) Enable/Disable — This feature enables the MC to block PHY reset, which might cause session loss.
- TCO Reset — Enables the MC to reset the I210.
- Checksum offloading — Offloads IP/UDP/TCP checksum checking from the MC.
- OS2BMC control commands.
- Firmware Versions Command
- Shared MAC and shared IP commands.

These commands are designed to be compliant with their corresponding SMBus commands (if existing). All of the commands are based on a single DMTF defined NC-SI command, known as OEM Command. This command is as follows.

10.6.3.1.1 OEM Command (0x50)

The OEM command can be used by the MC to request the sideband interface to provide vendor-specific information.

| | Bits | | | |
|---------|-------------------------------|------------------|---------------|-------|
| Bytes | 31:24 | 23:16 | 15:08 | 07:00 |
| 00...15 | NC-SI Header | | | |
| 16...19 | Manufacturer ID (Intel 0x157) | | | |
| 20... | Intel Command Number | Index (optional) | Optional Data | |

10.6.3.1.2 OEM Response (0xD0)

| | Bits | | | |
|---------|-------------------------------|------------------|---------------|-------|
| Bytes | 31:24 | 23:16 | 15:08 | 07:00 |
| 00...15 | NC-SI Header | | | |
| 16...19 | Response Code | | Reason Code | |
| 20...23 | Manufacturer ID (Intel 0x157) | | | |
| 24...27 | Intel Command Number | Index (optional) | Optional Data | |

Note: Responses have no command-specific reason code, unless otherwise specified within the command.



10.6.3.2 Intel OEM Commands Summary

Table 10-33. Intel OEM Specific Command Response and Reason Codes

| Response Code | | Reason Code | |
|---------------|----------------|-------------|--|
| Value | Description | Value | Description |
| 0x1 | Command Failed | 0x5081 | Invalid Intel Command Number |
| | | 0x5082 | Invalid Intel Command Parameter Number |
| | | 0x5087 | Invalid Driver State |
| | | 0x5088 | Invalid Flash |
| | | 0x508D | Returned when one of the shared IP commands is received with an out of range resource (IP, port, binding) index. |
| | | 0x508E | Returned when a request to disable a port used in a active binding is received. |
| | | 0x5090 | Returned when a binding of a non enabled resource (MAC, VLAN, IP address, port) is required. |
| | | 0x5091 | Returned when the <i>Set Port</i> command is received with an unsupported protocol. |
| | | 0x5092 | Not in Shared Mode. Returned when shared mode commands are used while not in shared MAC/IP mode. |
| | | 0x008E | Returned when a request to disable a VLAN or a MAC address used in an active binding is received. |

Table 10-34. Intel OEM Commands Summary

| Intel Command | Parameter | Command Name |
|---------------|-----------|---|
| 0x00 | 0x00 | Set IP Filters Control |
| 0x01 | 0x00 | Get IP Filters Control |
| 0x02 | 0x0F | Set Manageability Only |
| | 0x10 | Set Flexible 128 Filter Mask and Length |
| | 0x11 | Set Flexible 128 Filter Data |
| | 0x61 | Set Packet Addition Filters (<i>obsolete</i>) |
| | 0x63 | Set Flex TCP/UDP Port Filters |
| | 0x64 | Set Flex IPv4 Address Filters |
| | 0x65 | Set Flex IPv6 Address Filters |
| | 0x67 | Set EtherType Filter |
| | 0x68 | Set Packet Addition Extended Filter |
| | 0x69 | Set Special Modifiers Filter |
| 0x03 | 0x0F | Get Manageability Only |
| | 0x10 | Get Flexible 128 Filter Mask and Length |
| | 0x11 | Get Flexible 128 Filter Data |
| | 0x61 | Get Packet Addition Filters (<i>obsolete</i>) |
| | 0x63 | Get Flex TCP/UDP Port Filters |
| | 0x64 | Get Flex IPv4 Address Filters |
| | 0x65 | Get Flex IPv6 Address Filters |
| | 0x67 | Get EtherType Filter |
| | 0x68 | Get Packet Addition Extended Filter |
| | 0x69 | Get Special Modifiers filter |



Table 10-34. Intel OEM Commands Summary

| Intel Command | Parameter | Command Name |
|---------------|-----------|--|
| 0x04 | 0x00 | Set Unicast Packet Reduction (<i>obsolete</i>) |
| | 0x01 | Set Multicast Packet Reduction (<i>obsolete</i>) |
| | 0x02 | Set Broadcast Packet Reduction (<i>obsolete</i>) |
| | 0x10 | Set Extended Unicast Packet Reduction |
| | 0x11 | Set Extended Multicast Packet Reduction |
| | 0x12 | Set Extended Broadcast Packet Reduction |
| 0x05 | 0x00 | Get Unicast Packet Reduction (<i>obsolete</i>) |
| | 0x01 | Get Multicast Packet Reduction (<i>obsolete</i>) |
| | 0x02 | Get Broadcast Packet Reduction (<i>obsolete</i>) |
| | 0x10 | Get Extended Unicast Packet Reduction |
| | 0x11 | Get Extended Multicast Packet Reduction |
| | 0x12 | Get Extended Broadcast Packet Reduction |
| 0x06 | N/A | Get System MAC Address |
| 0x20 | N/A | Set Intel Management Control |
| 0x21 | N/A | Get Intel Management Control |
| 0x22 | N/A | Perform TCO Reset |
| 0x23 | N/A | Enable IP/UDP/TCP Checksum Offloading |
| 0x24 | N/A | Disable IP/UDP/TCP Checksum Offloading |
| 0x25 | 0x0 | Set IP Address |
| | 0x1 | Get IP Address |
| | 0x2 | Set Port |
| | 0x3 | Get Port |
| | 0x4 | Enable Unicast Infrastructure Filter |
| | 0x5 | Get Shared IP Capabilities Command |
| | 0x6 | Shared IP Enable Broadcast filtering |
| | 0x7 | Shared IP Enable Global Multicast filtering |
| | 0x8 | Get Shared IP parameters |
| | 0x9 | Set Binding |
| | 0xA | Get Binding |
| | 0xB | Set Shared Mode |
| 0x40 | 0x01 | Enable OS2BMC flow |
| | 0x02 | Enable Network to MC flow |
| | 0x03 | Enable Both Network to MC and Host to MC flow |
| 0x41 | N/A | Get OS2BMC parameters |
| 0x48 | 0x1 | Get Controller information |

Note: All the commands are supported both over NC-SI and over MCTP with pass through.

Note: If an unsupported command is received, an error is returned with a response = Unsupported (0x3) and reason = Invalid Intel Command Number (0x5081).



10.6.3.3 Set Intel Filters Control – IP Filters Control Command (Intel Command 0x00, Filter Control Index 0x00)

This command controls different aspects of the Intel filters.

| Bytes | Bits | | | |
|---------|-------------------------------|-------|--------------------------|-------|
| | 31:24 | 23:16 | 15:08 | 07:00 |
| 00...15 | NC-SI Header | | | |
| 16...19 | Manufacturer ID (Intel 0x157) | | | |
| 20...23 | 0x00 | 0x00 | IP Filters control (3-2) | |
| 24...25 | IP Filters Control (1-0) | | | |

Where “IP Filters Control” has the following format.

Table 10-35. IP Filters Control

| Bit # | Name | Description | Default Value |
|--------|----------------|---|---------------|
| 0 | IPv4/IPv6 Mode | IPv6 (0b): There are zero IPv4 filters and four IPv6 filters IPv4 (1b): There are four IPv4 filters and three IPv6 filters. See Section 8.22.9 or Section 10.3.3.7 for details. | 1b |
| 1...31 | Reserved | | |

Note: When using shared MAC and shared IP commands ([Section 10.6.3.14](#)), the IPv4 mode should be enabled.

10.6.3.3.1 Set Intel Filters Control – IP Filters Control Response (Intel Command 0x00, Filter Control Index 0x00)

| Bytes | Bits | | | |
|---------|-------------------------------|-------|-------------|-------|
| | 31:24 | 23:16 | 15:08 | 07:00 |
| 00...15 | NC-SI Header | | | |
| 16...19 | Response Code | | Reason Code | |
| 20...23 | Manufacturer ID (Intel 0x157) | | | |
| 24...27 | 0x00 | 0x00 | | |

10.6.3.4 Get Intel Filters Control Commands (Intel Command 0x01)

10.6.3.4.1 Get Intel Filters Control – IP Filters Control Command (Intel Command 0x01, Filter Control Index 0x00)

This command reflects different aspects of the Intel filters.

| Bytes | Bits | | | |
|-------|-------|-------|-------|-------|
| | 31:24 | 23:16 | 15:08 | 07:00 |



| | | | |
|---------|-------------------------------|------|--|
| 00...15 | NC-SI Header | | |
| 16...19 | Manufacturer ID (Intel 0x157) | | |
| 20...21 | 0x01 | 0x00 | |

10.6.3.4.2 Get Intel Filters Control — IP Filters Control Response (Intel Command 0x01, Filter Control Index 0x00)

| | Bits | | | |
|---------|-------------------------------|-------|--------------------------|-------|
| Bytes | 31:24 | 23:16 | 15:08 | 07:00 |
| 00...15 | NC-SI Header | | | |
| 16...19 | Response Code | | Reason Code | |
| 20...23 | Manufacturer ID (Intel 0x157) | | | |
| 24...27 | 0x01 | 0x00 | IP Filters Control (3-2) | |
| 28...29 | IP Filters Control (1-0) | | | |

IP Filter Control: See [Table 10-35](#).

10.6.3.5 Set Intel Filters Formats

10.6.3.5.1 Set Intel Filters Command (Intel Command 0x02)

| | Bits | | | |
|---------|-------------------------------|------------------|-------------------------|-------|
| Bytes | 31:24 | 23:16 | 15:08 | 07:00 |
| 00...15 | NC-SI Header | | | |
| 16...19 | Manufacturer ID (Intel 0x157) | | | |
| 20...21 | 0x02 | Parameter Number | Filters Data (optional) | |

10.6.3.5.2 Set Intel Filters Response (Intel Command 0x02)

| | Bits | | | |
|---------|-------------------------------|----------------------|------------------------|-------|
| Bytes | 31:24 | 23:16 | 15:08 | 07:00 |
| 00...15 | NC-SI Header | | | |
| 16...19 | Response Code | | Reason Code | |
| 20...23 | Manufacturer ID (Intel 0x157) | | | |
| 24... | 0x02 | Filter Control Index | Return Data (Optional) | |

10.6.3.5.3 Set Intel Filters — Manageability Only Command (Intel Command 0x02, Filter Parameter 0x0F)

This command sets the *MNGONLY* register. The *MNGONLY* register controls whether pass-through packets destined to the MC are not forwarded to the Host OS. The *MNGONLY* register structure is described in [Table 10-5](#).



| Bytes | Bits | | | |
|---------|-------------------------------|-------|--------------------------|-------|
| | 31:24 | 23:16 | 15:08 | 07:00 |
| 00...15 | NC-SI Header | | | |
| 16...19 | Manufacturer ID (Intel 0x157) | | | |
| 20...23 | 0x02 | 0x0F | Manageability Only (3-2) | |
| 24...25 | Manageability Only (1-0) | | | |

10.6.3.5.4 Set Intel Filters – Manageability Only Response (Intel Command 0x02, Filter Parameter 0x0F)

| Bytes | Bits | | | |
|---------|-------------------------------|-------|-------------|-------|
| | 31:24 | 23:16 | 15:08 | 07:00 |
| 00...15 | NC-SI Header | | | |
| 16...19 | Response Code | | Reason Code | |
| 20...23 | Manufacturer ID (Intel 0x157) | | | |
| 24...25 | 0x02 | 0x0F | | |

10.6.3.5.5 Set Intel Filters – Flex Filter Enable Mask and Length Command (Intel Command 0x02, Filter Parameter 0x10)

The following command sets the Intel flex filters mask and length. See [Section 10.3.3.6](#) for details of the programming.

| Bytes | Bits | | | |
|---------|-------------------------------|--------------|-------------|-------------|
| | 31:24 | 23:16 | 15:08 | 07:00 |
| 00...15 | NC-SI Header | | | |
| 16...19 | Manufacturer ID (Intel 0x157) | | | |
| 20...23 | 0x02 | 0x10 | Mask Byte 1 | Mask Byte 2 |
| 24...27 | ... | ... | ... | ... |
| 28...31 | ... | ... | ... | ... |
| 32...35 | ... | ... | ... | ... |
| 36...37 | ... | Mask Byte 16 | Reserved | Reserved |
| 38 | Length | | | |

10.6.3.5.6 Set Intel Filters – Flex Filter Enable Mask and Length Response (Intel Command 0x02, Filter Parameter 0x10)

| Bytes | Bits | | | |
|---------|-------------------------------|-------|-------------|-------|
| | 31:24 | 23:16 | 15:08 | 07:00 |
| 00...15 | NC-SI Header | | | |
| 16...19 | Response Code | | Reason Code | |
| 20...23 | Manufacturer ID (Intel 0x157) | | | |
| 24...25 | 0x02 | 0x10 | | |



10.6.3.5.7 Set Intel Filters – Flex Filter Data Command (Intel Command 0x02, Filter Parameter 0x11)

| Bytes | Bits | | | |
|---------|-------------------------------|---------------|-------------------|---------------|
| | 31:24 | 23:16 | 15:08 | 07:00 |
| 00...15 | NC-SI Header | | | |
| 16...19 | Manufacturer ID (Intel 0x157) | | | |
| 20... | 0x02 | 0x11 | Filter Data Group | Filter Data 1 |
| ... | ... | Filter Data N | | |

The Filter Data Group parameter defines which bytes of the Flex filter are set by this command:

Table 10-36. Filter Data Group

| Code | Bytes programmed | Filter Data Length |
|------|------------------|--------------------|
| 0x0 | bytes 0-29 | 1 - 30 |
| 0x1 | bytes 30-59 | 1 - 30 |
| 0x2 | bytes 60-89 | 1 - 30 |
| 0x3 | bytes 90-119 | 1 - 30 |
| 0x4 | bytes 120-127 | 1 - 8 |

Note: Using this command to configure the filters data must be done after the flex filter mask command is issued and the mask is set.

10.6.3.5.8 Set Intel Filters – Flex Filter Data Response (Intel Command 0x02, Filter Parameter 0x11)

| Bytes | Bits | | | |
|---------|-------------------------------|-------|-------------|-------|
| | 31:24 | 23:16 | 15:08 | 07:00 |
| 00...15 | NC-SI Header | | | |
| 16...19 | Response Code | | Reason Code | |
| 20...23 | Manufacturer ID (Intel 0x157) | | | |
| 24...25 | 0x02 | 0x11 | | |

Note: If Filter Data Length is larger than specified in Table 10-36 an Out of Range Reason code is returned.

10.6.3.5.9 Set Intel Filters – Packet Addition Decision Filter Command (Intel Command 0x02, Filter Parameter 0x61)

This command is not supported anymore. Use the Set Intel Filters - Packet Addition Extended Decision Filter Command (Intel Command 0x02, Filter parameter 0x68 - Section 10.6.3.5.18) instead.



10.6.3.5.10 Set Intel Filters – Flex TCP/UDP Port Filter Command (Intel Command 0x02, Filter Parameter 0x63)

| Bytes | Bits | | | |
|---------|-------------------------------|------------|-------------------|------------------|
| | 31:24 | 23:16 | 15:08 | 07:00 |
| 00...15 | NC-SI Header | | | |
| 16...19 | Manufacturer ID (Intel 0x157) | | | |
| 20...23 | 0x02 | 0x63 | Port filter index | TCP/UDP Port MSB |
| 24 | TCP/UDP Port LSB | Port flags | | |

Filter index range: 0x0...0xA.

If the filter index is bigger than 2, a command failed Response Code is returned with Invalid Intel Parameter Number reason (0x5082).

Port flags is described below:

- Bit 0: Match UDP ports
- Bit 1: Match TCP ports
- Bit 2: Match Destination port (0) or Source Port (1).
- Bit 7:3: Reserved

If flags is not present (payload length = 9), the match is done on TCP and UDP destination ports (legacy behavior).

10.6.3.5.11 Set Intel Filters – Flex TCP/UDP Port Filter Response (Intel Command 0x02, Filter Parameter 0x63)

| Bytes | Bits | | | |
|---------|-------------------------------|-------|-------------|-------|
| | 31:24 | 23:16 | 15:08 | 07:00 |
| 00...15 | NC-SI Header | | | |
| 16...19 | Response Code | | Reason Code | |
| 20...23 | Manufacturer ID (Intel 0x157) | | | |
| 24...25 | 0x02 | 0x63 | | |

10.6.3.5.12 Set Intel Filters – IPv4 Filter Command (Intel Command 0x02, Filter Parameter 0x64)

| Bytes | Bits | | | |
|---------|-------------------------------|-------|--------------------|--------------------|
| | 31:24 | 23:16 | 15:08 | 07:00 |
| 00...15 | NC-SI Header | | | |
| 16...19 | Manufacturer ID (Intel 0x157) | | | |
| 20...23 | 0x02 | 0x64 | IP filter index | IPv4 Address (MSB) |
| 24...25 | ... | | IPv4 Address (LSB) | |



IPv4 Mode: Filter index range: 0x0...0x3.

IPv6 Mode: This command should not be used in IPv6 mode.

10.6.3.5.13 Set Intel Filters – IPv4 Filter Response (Intel Command 0x02, Filter Parameter 0x64)

| Bytes | Bits | | | |
|---------|-------------------------------|-------|-------------|-------|
| | 31:24 | 23:16 | 15:08 | 07:00 |
| 00...15 | NC-SI Header | | | |
| 16...19 | Response Code | | Reason Code | |
| 20...23 | Manufacturer ID (Intel 0x157) | | | |
| 24...25 | 0x02 | 0x64 | | |

10.6.3.5.14 Set Intel Filters – IPv6 Filter Command (Intel Command 0x02, Filter Parameter 0x65)

| Bytes | Bits | | | |
|---------|-------------------------------|-------|----------------------------|--------------------------------|
| | 31:24 | 23:16 | 15:08 | 07:00 |
| 00...15 | NC-SI Header | | | |
| 16...19 | Manufacturer ID (Intel 0x157) | | | |
| 20...23 | 0x02 | 0x65 | IP filter index | ...IPv6 Address (MSB, byte 15) |
| 24...27 | ... | ... | ... | ... |
| 28...31 | ... | ... | ... | ... |
| 32...35 | ... | ... | ... | ... |
| 36...37 | ... | | IPv6 Address (LSB, byte 0) | |

Note: The filters index range can vary according to the IPv4/IPv6 mode setting in the Filters Control command.

IPv4 Mode: Filter index range: 0x0...0x2.

IPv6 Mode: Filter index range: 0x0...0x3.

10.6.3.5.15 Set Intel Filters – IPv6 Filter Response (Intel Command 0x02, Filter Parameter 0x65)

| Bytes | Bits | | | |
|---------|-------------------------------|-------|-------------|-------|
| | 31:24 | 23:16 | 15:08 | 07:00 |
| 00...15 | NC-SI Header | | | |
| 16...19 | Response Code | | Reason Code | |
| 20...23 | Manufacturer ID (Intel 0x157) | | | |
| 24...25 | 0x02 | 0x65 | | |



If the IP filter index is larger the 3, a command failed Response Code will be returned, with Invalid Intel Parameter Number reason (0x5082).

10.6.3.5.16 Set Intel Filters - EtherType Filter Command (Intel Command 0x02, Filter parameter 0x67)

| Bytes | Bits | | | |
|---------|-------------------------------|-------|------------------------|----------------------|
| | 31:24 | 23:16 | 15:08 | 07:00 |
| 00...15 | NC-SI Header | | | |
| 16...19 | Manufacturer ID (Intel 0x157) | | | |
| 20...23 | 0x02 | 0x67 | EtherType Filter Index | EtherType Filter MSB |
| 24...27 | ... | ... | EtherType Filter LSB | |

Where the EtherType Filter has the format as described in [Section 8.22.4](#).

10.6.3.5.17 Set Intel Filters - EtherType Filter Response (Intel Command 0x02, Filter parameter 0x67)

| Bytes | Bits | | | |
|---------|-------------------------------|-------|-------------|-------|
| | 31:24 | 23:16 | 15:08 | 07:00 |
| 00...15 | NC-SI Header | | | |
| 16...19 | Response Code | | Reason Code | |
| 20...23 | Manufacturer ID (Intel 0x157) | | | |
| 24...25 | 0x02 | 0x67 | | |

If the Ethertype filter Index is greater than 3, a command failed Response Code is returned with Invalid Intel Parameter Number reason (0x5082).

10.6.3.5.18 Set Intel Filters - Packet Addition Extended Decision Filter Command (Intel Command 0x02, Filter parameter 0x68)

See [Figure 10-1](#) for description of the decision filters structure.

The command shall overwrite any previously stored value.

| Bytes | Bits | | | |
|---------|-------------------------------|-------|-------|-------|
| | 31:24 | 23:16 | 15:08 | 07:00 |
| 00...15 | NC-SI Header | | | |
| 16...19 | Manufacturer ID (Intel 0x157) | | | |



| Bytes | Bits | | | |
|---------|-------|-------|--------------------------------|------------------------------|
| | 31:24 | 23:16 | 15:08 | 07:00 |
| 20...23 | 0x02 | 0x68 | Extended Decision filter Index | Extended Decision filter MSB |
| 24...27 | ... | ... | Extended Decision filter LSB | Decision filter MSB |
| 28...30 | ... | ... | Extended Decision filter LSB | |

Extended Decision filter Index Range: 0...4

Decision Filter: See [Table 10-37](#).

Extended Decision filter: See [Table 10-38](#).

Table 10-37. Decision Filter Values

| Bit # | Name | Description |
|-------|-------------------------------|--|
| 1:0 | Exact (AND) | If set, packets must match exact filter 0 to 1, respectively. |
| 3:2 | Reserved | Reserved. |
| 4 | Broadcast (AND) | If set, packets must match the broadcast filter. |
| 12:5 | VLAN (AND) | If set, packets must match VLAN filter 0 to 7, respectively. |
| 16:13 | IPv4 Address (AND) | If set, packets must match IPv4 filter 0 to 3, respectively |
| 20:17 | IPv6 Address (AND) | If set, packets must match IPv4 filter 0 to 3, respectively |
| 22:21 | Exact (OR) | If set, packets can pass if match exact filter 0 to 1, respectively or a different OR filter. |
| 24:23 | Reserved | Reserved. |
| 25 | Broadcast (OR) | If set, packets can pass if match the broadcast filter or a different OR filter. |
| 26 | Multicast (AND) | If set, packets must match the multicast filter. |
| 27 | ARP Request (OR) | If set, packets can pass if match the ARP request filter or a different OR filter. |
| 28 | ARP Response (OR) | If set, packets can pass if match the ARP response filter or a different OR filter. |
| 29 | Neighbor Discovery - 134 (OR) | If set, packets can pass if match the neighbor discovery filter (type134 - router advertisement) or a different OR filter. |
| 30 | Port 0x298 (OR) | If set, packets can pass if match a fixed TCP/UDP port 0x298 filter or a different OR filter. |
| 31 | Port 0x26F (OR) | If set, packets can pass if match a fixed TCP/UDP port 0x26F filter or a different OR filter. |

Table 10-38. Extended Decision Filter Values

| Bit # | Name | Description |
|-------|----------------------|--|
| 3:0 | Ethertype 0 -3 (AND) | If set, packets must match the EtherType filter 0 to 3 respectively. |
| 7:4 | Ethertype 0 -3 (OR) | If set, packets can pass if match the EtherType filter 0 to 3 respectively or a different OR filter. |
| 18:8 | Flex port 10:0 (OR) | If set, packets can pass if match the TCP/UDP Port filter 10:0 |
| 19 | DHCPv6 (OR) | If set, packets can pass if match the DHCPv6 port (0x0223) |
| 20 | DHCP Client (OR) | If set, packets can pass if match the DHCP Client port (0x0044) |
| 21 | DHCP Server (OR) | If set, packets can pass if match the DHCP Server port (0x0043) |

**Table 10-38. Extended Decision Filter Values (Continued)**

| Bit # | Name | Description |
|-------|-------------------------------|--|
| 22 | NetBIOS Name Service (OR) | If set, packets can pass if match the NetBIOS Name Service port (0x0089) |
| 23 | NetBIOS Datagram Service (OR) | If set, packets can pass if match the NetBIOS Datagram Service port (0x008A) |
| 24 | Flex TCO (OR) | If set, packets can pass if match the Flex 128 TCO filter |
| 25 | Neighbor Discovery - 135 (OR) | If set, packets must also match the neighbor discovery filter (type135 - Neighbor Solicitation. or a different OR filter. |
| 26 | Neighbor Discovery - 136 (OR) | If set, packets must also match the neighbor discovery filter (type136 - Neighbor Advertisement) or a different OR filter. |
| 27 | Neighbor Discovery - 137 (OR) | If set, packets must also match the neighbor discovery filter (type137 - Redirect) or a different OR filter. |
| 28 | ICMP (OR) | Controls the inclusion of ICMP filtering in the manageability filter decision (OR section). |
| 29 | MLD (OR) | MLD - control the inclusion of MLD packets. These are ICMPv6 packets with the following types: 130, 131, 132, 143. |
| 31:30 | Reserved | |

10.6.3.5.19 Set Intel Filters – Packet Addition Extended Decision Filter Response (Intel Command 0x02, Filter parameter 0x68)

| Bytes | Bits | | | |
|---------|-------------------------------|-------|-------------|-------|
| | 31:24 | 23:16 | 15:08 | 07:00 |
| 00...15 | NC-SI Header | | | |
| 16...19 | Response Code | | Reason Code | |
| 20...23 | Manufacturer ID (Intel 0x157) | | | |
| 24...25 | 0x02 | 0x68 | | |

If the Extended Decision filter Index is bigger than 5, a command failed Response Code is returned with Invalid Intel Parameter Number reason (0x5082).

10.6.3.5.20 Set Intel Filters - Special Modifier Command (Intel Command 0x02, Filter parameter 0x69)

| Bytes | Bits | | | |
|---------|-------------------------------|-------|-------------------------------|-------|
| | 31:24 | 23:16 | 15:08 | 07:00 |
| 00...15 | NC-SI Header | | | |
| 16...19 | Manufacturer ID (Intel 0x157) | | | |
| 20...23 | 0x02 | 0x69 | Special Modifier Register MSB | |
| 24...27 | Special Modifier Register LSB | | Padding | |

Where the Special Modifier Filter has the format as described in [Section 8.22.3](#).



10.6.3.5.21 Set Intel Filters - Special Modifier Response (Intel Command 0x02, Filter parameter 0x69)

| | Bits | | | |
|---------|-------------------------------|-------|-------------|-------|
| Bytes | 31:24 | 23:16 | 15:08 | 07:00 |
| 00...15 | NC-SI Header | | | |
| 16...19 | Response Code | | Reason Code | |
| 20...23 | Manufacturer ID (Intel 0x157) | | | |
| 24...25 | 0x02 | 0x69 | | |

10.6.3.6 Get Intel Filters Formats

10.6.3.6.1 Get Intel Filters Command (Intel Command 0x03)

| | Bits | | | |
|---------|-------------------------------|------------------|-------|-------|
| Bytes | 31:24 | 23:16 | 15:08 | 07:00 |
| 00...15 | NC-SI Header | | | |
| 16...19 | Manufacturer ID (Intel 0x157) | | | |
| 20...21 | 0x03 | Parameter Number | | |

10.6.3.6.2 Get Intel Filters Response (Intel Command 0x03)

| | Bits | | | |
|---------|-------------------------------|------------------|----------------------|-------|
| Bytes | 31:24 | 23:16 | 15:08 | 07:00 |
| 00...15 | NC-SI Header | | | |
| 16...19 | Response Code | | Reason Code | |
| 20...23 | Manufacturer ID (Intel 0x157) | | | |
| 24...25 | 0x03 | Parameter Number | Optional Return Data | |

10.6.3.6.3 Get Intel Filters — Manageability Only Command (Intel Command 0x03, Filter Parameter 0x0F)

This command retrieves the *MNGONLY* register. The *MNGONLY* register controls whether pass-through packets destined to the MC are also be forwarded to the Host OS.

| | Bits | | | |
|---------|-------------------------------|-------|-------|-------|
| Bytes | 31:24 | 23:16 | 15:08 | 07:00 |
| 00...15 | NC-SI Header | | | |
| 16...19 | Manufacturer ID (Intel 0x157) | | | |
| 20...21 | 0x03 | 0x0F | | |

10.6.3.6.4 Get Intel Filters — Manageability Only Response (Intel Command 0x03, Filter Parameter 0x0F)



The *MNGONLY* register structure is described in Table 10-5.

| Bytes | Bits | | | |
|---------|-------------------------------|-------|--------------------------|-------|
| | 31:24 | 23:16 | 15:08 | 07:00 |
| 00...15 | NC-SI Header | | | |
| 16...19 | Response Code | | Reason Code | |
| 20...23 | Manufacturer ID (Intel 0x157) | | | |
| 24...27 | 0x03 | 0x0F | Manageability Only (3-2) | |
| 28...29 | Manageability Only(1-0) | | | |

10.6.3.6.5 Get Intel Filters – Flex Filter 0 Enable Mask and Length Command (Intel Command 0x03, Filter Parameter 0x10)

The following command retrieves the Intel flex filters mask and length. See Section 10.3.3.6 for details of the values returned by this command.

| Bytes | Bits | | | |
|---------|-------------------------------|-------|-------|-------|
| | 31:24 | 23:16 | 15:08 | 07:00 |
| 00...15 | NC-SI Header | | | |
| 16...19 | Manufacturer ID (Intel 0x157) | | | |
| 20...21 | 0x03 | 0x10 | | |

10.6.3.6.6 Get Intel Filters – Flex Filter 0 Enable Mask and Length Response (Intel Command 0x03, Filter Parameter 0x10)

| Bytes | Bits | | | |
|---------|-------------------------------|--------------|-------------|-------------|
| | 31:24 | 23:16 | 15:08 | 07:00 |
| 00...15 | NC-SI Header | | | |
| 16...19 | Response Code | | Reason Code | |
| 20...23 | Manufacturer ID (Intel 0x157) | | | |
| 24...27 | 0x03 | 0x10 | Mask Byte 1 | Mask Byte 2 |
| 28...31 | ... | ... | ... | ... |
| 32...35 | ... | ... | ... | ... |
| 36...39 | ... | ... | ... | ... |
| 40...43 | ... | Mask Byte 16 | Reserved | Reserved |
| 44 | Flexible Filter Length | | | |

10.6.3.6.7 Get Intel Filters – Flex Filter 0 Data Command (Intel Command 0x03, Filter Parameter 0x11)

The following command retrieves the Intel flex filters data.

| Bytes | Bits | | | |
|-------|-------|-------|-------|-------|
| | 31:24 | 23:16 | 15:08 | 07:00 |



| | | | | |
|---------|-------------------------------|------|-------------------------|--|
| 00...15 | NC-SI Header | | | |
| 16...19 | Manufacturer ID (Intel 0x157) | | | |
| 20...22 | 0x03 | 0x11 | Filter Data Group 0...4 | |

The Filter Data Group parameter defines which bytes of the Flex filter are returned by this command:

Table 10-39. Filter Data Group

| Code | Bytes Returned |
|------|----------------|
| 0x0 | bytes 0-29 |
| 0x1 | bytes 30-59 |
| 0x2 | bytes 60-89 |
| 0x3 | bytes 90-119 |
| 0x4 | bytes 120-127 |

10.6.3.6.8 Get Intel Filters — Flex Filter 0 Data Response (Intel Command 0x03, Filter Parameter 0x11)

| | Bits | | | |
|---------|-------------------------------|---------------|---------------------|---------------|
| Bytes | 31:24 | 23:16 | 15:08 | 07:00 |
| 00...15 | NC-SI Header | | | |
| 16...19 | Response Code | | Reason Code | |
| 20...23 | Manufacturer ID (Intel 0x157) | | | |
| 24... | 0x03 | 0x11 | Filter Group Number | Filter Data 1 |
| | ... | Filter Data N | | |

10.6.3.6.9 Get Intel Filters — Packet Addition Decision Filter Command (Intel Command 0x03, Filter Parameter 0x61)

This command is not supported anymore. Use the Get Intel Filters - Packet Addition Extended Decision Filter Command (Intel Command 0x03, Filter parameter 0x68 - [Section 10.6.3.6.18](#)) instead.

10.6.3.6.10 Get Intel Filters — Flex TCP/UDP Port Filter Command (Intel Command 0x03, Filter Parameter 0x63)

| | Bits | | | |
|---------|-------------------------------|-------|----------------------|-------|
| Bytes | 31:24 | 23:16 | 15:08 | 07:00 |
| 00...15 | NC-SI Header | | | |
| 16...19 | Manufacturer ID (Intel 0x157) | | | |
| 20...22 | 0x03 | 0x63 | TCP/UDP Filter Index | |

Filter index range: 0x0...0x2.

10.6.3.6.11 Get Intel Filters — Flex TCP/UDP Port Filter Response (Intel Command 0x03, Filter Parameter 0x63)



| Bytes | Bits | | | |
|---------|-------------------------------|------------|----------------------|------------------|
| | 31:24 | 23:16 | 15:08 | 07:00 |
| 00...15 | NC-SI Header | | | |
| 16...19 | Response Code | | Reason Code | |
| 20...23 | Manufacturer ID (Intel 0x157) | | | |
| 24...27 | 0x03 | 0x63 | TCP/UDP Filter Index | TCP/UDP Port (1) |
| 28...29 | TCP/UDP Port (0) | Port flags | | |

If the TCP/UDP Filter Index is bigger than 0xA, a command failed Response Code is returned with Invalid Intel Parameter Number reason (0x5082).

Port flags is described below:

- Bit 0: Match UDP ports
- Bit 1: Match TCP ports
- Bit 2: Match Destination port (0) or Source Port (1).
- Bit 7:3: Reserved

10.6.3.6.12 Get Intel Filters – IPv4 Filter Command (Intel Command 0x03, Filter Parameter 0x64)

| Bytes | Bits | | | |
|---------|-------------------------------|---------|-------------------|---------|
| | 31...24 | 23...16 | 15...08 | 07...00 |
| 00...15 | NC-SI Header | | | |
| 16...19 | Manufacturer ID (Intel 0x157) | | | |
| 20...22 | 0x03 | 0x64 | IPv4 Filter Index | |

Note: The filters index range can vary according to the IPv4/IPv6 mode setting in the Filters Control command.

IPv4 Mode: Filter index range: 0x0...0x3.

IPv6 Mode: This command should not be used in IPv6 mode.

10.6.3.6.13 Get Intel Filters – IPv4 Filter Response (Intel Command 0x03, Filter Parameter 0x64)

| Bytes | Bits | | | |
|---------|---------------|-------|-------------|-------|
| | 31:24 | 23:16 | 15:08 | 07:00 |
| 00...15 | NC-SI Header | | | |
| 16...19 | Response Code | | Reason Code | |



| | | | | |
|---------|-------------------------------|------|-------------------|------------------|
| 20...23 | Manufacturer ID (Intel 0x157) | | | |
| 24...27 | 0x03 | 0x64 | IPv4 Filter Index | IPv4 Address (3) |
| 28...29 | IPv4 Address (2-0) | | | |

10.6.3.6.14 Get Intel Filters – IPv6 Filter Command (Intel Command 0x03, Filter Parameter 0x65)

| Bytes | Bits | | | |
|---------|-------------------------------|-------|-------------------|-------|
| | 31:24 | 23:16 | 15:08 | 07:00 |
| 00...15 | NC-SI Header | | | |
| 16...19 | Manufacturer ID (Intel 0x157) | | | |
| 20...22 | 0x03 | 0x65 | IPv6 Filter Index | |

Note: The filters index range can vary according to the IPv4/IPv6 mode setting in the Filters Control command

IPv4 Mode: Filter index range: 0x0...0x2.

IPv6 Mode: Filter index range: 0x0...0x3.

10.6.3.6.15 Get Intel Filters – IPv6 Filter Response (Intel Command 0x03, Filter parameter 0x65)

| Bytes | Bits | | | |
|---------|-------------------------------|-------|----------------------------|-----------------------------|
| | 31:24 | 23:16 | 15:08 | 07:00 |
| 00...15 | NC-SI Header | | | |
| 16...19 | Response Code | | Reason Code | |
| 20...23 | Manufacturer ID (Intel 0x157) | | | |
| 24...27 | 0x03 | 0x65 | IPv6 Filter Index | IPv6 Address (MSB, Byte 16) |
| 28...31 | ... | ... | ... | ... |
| 32...35 | ... | ... | ... | ... |
| 36...39 | ... | ... | ... | ... |
| 40...42 | ... | ... | IPv6 Address (LSB, Byte 0) | |

If the IPv6 Filter Index is bigger than 3, a command failed Response Code is returned with Invalid Intel Parameter Number reason (0x5082).

10.6.3.6.16 Get Intel Filters - EtherType Filter Command (Intel Command 0x03, Filter parameter 0x67)



| | Bits | | | |
|---------|-------------------------------|-------|------------------------|-------|
| Bytes | 31:24 | 23:16 | 15:08 | 07:00 |
| 00...15 | NC-SI Header | | | |
| 16...19 | Manufacturer ID (Intel 0x157) | | | |
| 20...22 | 0x03 | 0x67 | EtherType Filter Index | |

Valid indices: 0...3

10.6.3.6.17 Get Intel Filters - EtherType Filter Response (Intel Command 0x03, Filter parameter 0x67)

| | Bits | | | |
|---------|-------------------------------|-------|------------------------|----------------------|
| Bytes | 31:24 | 23:16 | 15:08 | 07:00 |
| 00...15 | NC-SI Header | | | |
| 16...19 | Response Code | | Reason Code | |
| 20...23 | Manufacturer ID (Intel 0x157) | | | |
| 24...27 | 0x03 | 0x67 | EtherType Filter Index | EtherType Filter MSB |
| 28...30 | .. | .. | EtherType Filter LSB | |

If the Ethertype filter Index is larger than 3, a command failed Response Code is returned with Invalid Intel Parameter Number reason (0x5082).

10.6.3.6.18 Get Intel Filters – Packet Addition Extended Decision Filter Command (Intel Command 0x03, Filter parameter 0x68)

This command allows the MC to retrieve the Extended Decision Filter.

| | Bits | | | |
|---------|-------------------------------|-------|--------------------------------|-------|
| Bytes | 31:24 | 23:16 | 15:08 | 07:00 |
| 00...15 | NC-SI Header | | | |
| 16...19 | Manufacturer ID (Intel 0x157) | | | |
| 20...22 | 0x03 | 0x68 | Extended Decision Filter Index | |

10.6.3.6.19 Get Intel Filters – Packet Addition Extended Decision Filter Response (Intel Command 0x03, Filter parameter 0x68)



| | Bits | | | |
|---------|-------------------------------|-------|------------------------------|------------------------------|
| Bytes | 31:24 | 23:16 | 15:08 | 07:00 |
| 00...15 | NC-SI Header | | | |
| 16...19 | Response Code | | Reason Code | |
| 20...23 | Manufacturer ID (Intel 0x157) | | | |
| 24...27 | 0x03 | 0x68 | Decision Filter Index | Extended Decision Filter MSB |
| 28...31 | .. | .. | Extended Decision Filter LSB | Decision Filter MSB |
| 32...34 | .. | .. | Decision Filter LSB | |

Where Decision Filter & Extended Decision Filter have the structure as detailed in the respective “Set” commands.

If the Extended Decision Filter Index is bigger than 4, a command failed Response Code is returned with Invalid Intel Parameter Number reason (0x5082).

10.6.3.6.20 Get Intel Filters - Special Modifier Command (Intel Command 0x03, Filter parameter 0x69)

| | Bits | | | |
|---------|-------------------------------|-------|---------|-------|
| Bytes | 31:24 | 23:16 | 15:08 | 07:00 |
| 00...15 | NC-SI Header | | | |
| 16...19 | Manufacturer ID (Intel 0x157) | | | |
| 20...23 | 0x03 | 0x69 | Padding | |

Where the Special Modifier Filter has the format as described in [Section 8.22.3](#).

10.6.3.6.21 Get Intel Filters - Special Modifier Response (Intel Command 0x02, Filter parameter 0x69)

| | Bits | | | |
|---------|-------------------------------|-------|-------------------------------|-------|
| Bytes | 31:24 | 23:16 | 15:08 | 07:00 |
| 00...15 | NC-SI Header | | | |
| 16...19 | Response Code | | Reason Code | |
| 20...23 | Manufacturer ID (Intel 0x157) | | | |
| 24...27 | 0x03 | 0x69 | Special Modifier Register MSB | |
| 28...29 | Special Modifier Register LSB | | Padding | |



10.6.3.7 Set Intel Packet Reduction Filters Formats

Note: The non extended commands (Section 10.6.3.7.3 to Section 10.6.3.7.5) are not supported anymore. Use the extended commands (Section 10.6.3.7.6 to Section 10.6.3.7.11) instead.

10.6.3.7.1 Set Intel Packet Reduction Filters Command (Intel Command 0x04)

| Bytes | Bits | | | |
|---------|-------------------------------|------------------------|--------------------------|-------|
| | 31:24 | 23:16 | 15:08 | 07:00 |
| 00...15 | NC-SI Header | | | |
| 16...19 | Manufacturer ID (Intel 0x157) | | | |
| 20...23 | 0x04 | Packet Reduction Index | Packet Reduction Data... | |

10.6.3.7.2 Set Intel Packet Reduction Filters Response (Intel Command 0x04)

| Bytes | Bits | | | |
|---------|-------------------------------|------------------------|----------------------|---------|
| | 31...24 | 23...16 | 15...08 | 07...00 |
| 00...15 | NC-SI Header | | | |
| 16...19 | Response Code | | Reason Code | |
| 20...23 | Manufacturer ID (Intel 0x157) | | | |
| 24... | 0x04 | Packet Reduction Index | Optional Return Data | |

The *Packet Reduction Data* field has the following structure:

Table 10-40. Packet Reduction Field Description

| Bit # | Name | Description |
|-------|--------------------|---|
| 12:0 | Reserved | Reserved |
| 16:13 | IPv4 Address (AND) | If set, packets must match IPv4 filter 0 to 3 respectively |
| 20:17 | IPv6 Address (AND) | If set, packets must match IPv6 filter 0 to 3 respectively |
| 27:21 | Reserved | Reserved |
| 28 | ARP Response (OR) | If set, packets can pass if match the ARP response filter or a different OR filter. |
| 29 | Reserved | Reserved |
| 30 | Port 0x298 | If set, packets can pass if match a fixed TCP/UDP port 0x298 filter. |
| 31 | Port 0x26F | If set, packets can pass if match a fixed TCP/UDP port 0x26F filter. |

Table 10-41. Extended Packet Reduction Field Description

| Bit # | Name | Description |
|-------|----------------------|---|
| 3:0 | Ethertype 0 -3 (AND) | If set, packets must match the Ethertype filter 0 to 3 respectively. |
| 7:4 | Ethertype 0-3 (OR) | If set, packets can pass if match the Ethertype filter 0 to 3 respectively. |
| 8:18 | Flex port 10:0 (OR) | If set, packets can pass if match the TCP/UDP Port filter 10:0 |
| 23:19 | Reserved | |



Table 10-41. Extended Packet Reduction Field Description

| Bit # | Name | Description |
|-------|---------------|---|
| 24 | Flex TCO (OR) | If set, packets can pass if match the Flex 128 TCO filter |
| 27:25 | Reserved | |
| 28 | ICMP | If set, ICMP packets can pass |
| 29 | MLD | If set, MLD packets can pass |
| 31:30 | Reserved | Reserved. |

The filtering is divided into two decisions:

- Bit 20:13 in [Table 10-40](#) and Bits 3:2 in [Table 10-41](#) works in an AND manner; it must be true in order for a packet to pass (if was set).

Bits 28 in [Table 10-40](#) and Bits 24:10 in [Table 10-41](#) work in an OR manner; at least one of them must be true for a packet to pass (if any were set).

10.6.3.7.3 Set Unicast Packet Reduction Command (Intel Command 0x04, Reduction Filter Index 0x00)

This command is not supported anymore. Use the Set Unicast Extended Packet Reduction Command (Intel Command 0x04, Reduction Filter Index 0x10) instead ([Section 10.6.3.7.6](#)).

10.6.3.7.4 Set Multicast Packet Reduction Command (Intel Command 0x04, Reduction Filter Index 0x01)

This command is not supported anymore. Use the Set Multicast Extended Packet Reduction Command (Intel Command 0x04, Reduction Filter Index 0x11) instead ([Section 10.6.3.7.8](#)).

10.6.3.7.5 Set Broadcast Packet Reduction Command (Intel Command 0x04, Reduction Filter Index 0x02)

This command is not supported anymore. Use the Set Broadcast Extended Packet Reduction Command (Intel Command 0x04, Reduction Filter Index 0x12) instead ([Section 10.6.3.7.10](#)).

10.6.3.7.6 Set Unicast Extended Packet Reduction Command (Intel Command 0x04, Reduction Filter Index 0x10)

In “Set Intel Reduction Filters” add another parameter “Unicast Extended Packet Reduction (Intel Command 0x04, Filter parameter 0x10)” such that the byte count is 0xE. The command shall have the following format:

| Bytes | Bits | | | |
|--------|-------------------------------|-------|-------|-------|
| | 31:24 | 23:16 | 15:08 | 07:00 |
| 00..15 | NC-SI Header | | | |
| 16..19 | Manufacturer ID (Intel 0x157) | | | |



| | | | | |
|--------|------|---------------------------------------|---------------------------------------|----|
| 20..23 | 0x04 | 0x10 | Extended Unicast Reduction Filter MSB | .. |
| 24..27 | .. | Extended Unicast Reduction Filter LSB | Unicast Reduction Filter MSB | .. |
| 28..29 | .. | Unicast Reduction Filter LSB | | |

This command causes the NC to filter packets that have passed due to the unicast filter (MAC address filters, as specified in the DMTF NC-SI). Note that unicast filtering might be affected by other filters, as specified in the DMTF NC-SI.

The filtering of these packets are done such that the MC might add a logical condition that a packet must match, or it must be discarded.

Note: Packets that might have been blocked can still pass due to other decision filters.

In order to disable unicast packet reduction, the MC should set all reduction filters to 0b. Following such a setting the NC must forward, to the MC, all packets that have passed the unicast filters (MAC address filtering) as specified in the DMTF NC-SI.

The command shall overwrite any previously stored value.

Note: See [Table 10-40](#) and [Table 10-41](#) for description of the Unicast Extended Packet Reduction format.

10.6.3.7.7 Set Unicast Extended Packet Reduction Response (Intel Command 0x04, Reduction Filter Index 0x10)

| Bytes | Bits | | | |
|--------|-------------------------------|-------|-------------|-------|
| | 31:24 | 23:16 | 15:08 | 07:00 |
| 00..15 | NC-SI Header | | | |
| 16..19 | Response Code | | Reason Code | |
| 20..23 | Manufacturer ID (Intel 0x157) | | | |
| 24..25 | 0x04 | 0x10 | | |

10.6.3.7.8 Set Multicast Extended Packet Reduction Command (Intel Command 0x04, Reduction Filter Index 0x11)

| Bytes | Bits | | | |
|--------|-------------------------------|---|---|-------|
| | 31:24 | 23:16 | 15:08 | 07:00 |
| 00..15 | NC-SI Header | | | |
| 16..19 | Manufacturer ID (Intel 0x157) | | | |
| 20..23 | 0x04 | 0x11 | Extended Multicast Reduction Filter MSB | .. |
| 24..27 | .. | Extended Multicast Reduction Filter LSB | Multicast Reduction Filter MSB | .. |
| 28..29 | .. | Multicast Reduction Filter LSB | | |



Note: See [Table 10-40](#) and [Table 10-41](#) for description of the Multicast Extended Packet Reduction format.

This command causes the NC to filter packets that have passed due to the multicast filter (MAC address filters, as specified in the DMTF NC-SI).

The filtering of these packets are done such that the MC might add a logical condition that a packet must match, or it must be discarded.

Note: Packets that might have been blocked can still pass due to other decision filters.

In order to disable multicast packet reduction, the MC should set all reduction filters to 0b. Following such a setting, the NC must forward, to the MC, all packets that have passed the multicast filters (global multicast filtering) as specified in the DMTF NC-SI.

The command shall overwrite any previously stored value.

10.6.3.7.9 Set Multicast Extended Packet Reduction Response (Intel Command 0x04, Reduction Filter Index 0x11)

| Bytes | Bits | | | |
|--------|-------------------------------|-------|-------------|-------|
| | 31:24 | 23:16 | 15:08 | 07:00 |
| 00..15 | NC-SI Header | | | |
| 16..19 | Response Code | | Reason Code | |
| 20..23 | Manufacturer ID (Intel 0x157) | | | |
| 24..25 | 0x04 | 0x11 | | |

10.6.3.7.10 Set Broadcast Extended Packet Reduction Command (Intel Command 0x04, Reduction Filter Index 0x12)

| Bytes | Bits | | | |
|--------|-------------------------------|---|---|-------|
| | 31:24 | 23:16 | 15:08 | 07:00 |
| 00..15 | NC-SI Header | | | |
| 16..19 | Manufacturer ID (Intel 0x157) | | | |
| 20..23 | 0x04 | 0x12 | Extended Broadcast Reduction Filter MSB | .. |
| 24..27 | .. | Extended Broadcast Reduction Filter LSB | Broadcast Reduction Filter MSB | .. |
| 28..29 | .. | Broadcast Reduction Filter LSB | | |

Note: See [Table 10-40](#) and [Table 10-41](#) for description of the Broadcast Extended Packet Reduction format.

This command causes the NC to filter packets that have passed due to the broadcast filter (MAC address filters, as specified in the DMTF NC-SI).

The filtering of these packets are done such that the MC might add a logical condition that a packet must match, or it must be discarded.



Note: Packets that might have been blocked can still pass due to other decision filters.

In order to disable broadcast packet reduction, the MC should set all reduction filters to 0b. Following such a setting, the NC must forward, to the MC, all packets that have passed the broadcast filters as specified in the DMTF NC-SI.

The command shall overwrite any previously stored value.

10.6.3.7.11 Set Broadcast Extended Packet Reduction Response (Intel Command 0x04, Reduction Filter Index 0x12)

| Bytes | Bits | | | |
|--------|-------------------------------|-------|-------------|-------|
| | 31:24 | 23:16 | 15:08 | 07:00 |
| 00..15 | NC-SI Header | | | |
| 16..19 | Response Code | | Reason Code | |
| 20..23 | Manufacturer ID (Intel 0x157) | | | |
| 24..25 | 0x04 | 0x12 | | |

10.6.3.8 Get Intel Packet Reduction Filters Formats

Note: The non extended commands (Section 10.6.3.8.3 to Section 10.6.3.8.6) are not supported anymore. Use the extended commands (Section 10.6.3.8.6 to Section 10.6.3.8.11) instead.

10.6.3.8.1 Get Intel Packet Reduction Filters Command (Intel Command 0x05)

This command is not supported anymore. Use the Get Unicast Extended Packet Reduction Command (Intel Command 0x05, Reduction Filter Index 0x10) instead (Section 10.6.3.8.6).

| Bytes | Bits | | | |
|---------|-------------------------------|------------------------|-------|-------|
| | 31:24 | 23:16 | 15:08 | 07:00 |
| 00...15 | NC-SI Header | | | |
| 16...19 | Manufacturer ID (Intel 0x157) | | | |
| 20...21 | 0x05 | Reduction Filter Index | | |

10.6.3.8.2 Get Intel Packet Reduction Filters Response (Intel Command 0x05)

| Bytes | Bits | | | |
|---------|-------------------------------|------------------------|-------------|-------|
| | 31:24 | 23:16 | 15:08 | 07:00 |
| 00...15 | NC-SI Header | | | |
| 16...19 | Response Code | | Reason Code | |
| 20...23 | Manufacturer ID (Intel 0x157) | | | |
| 24... | 0x05 | Reduction Filter Index | Return Data | |



Note: See Table 10-40 and Table 10-41 for description of the Return Data format.

10.6.3.8.3 Get Unicast Packet Reduction Command (Intel Command 0x05, Reduction Filter Index 0x00)

This command is not supported anymore. Use the Get Unicast Extended Packet Reduction Command (Intel Command 0x05, Reduction Filter Index 0x10) instead (Section 10.6.3.8.6).

10.6.3.8.4 Get Multicast Packet Reduction Command (Intel Command 0x05, Reduction Filter Index 0x01)

This command is not supported anymore. Use the Get Multicast Extended Packet Reduction Command (Intel Command 0x05, Reduction Filter Index 0x11) instead (Section 10.6.3.8.8).

10.6.3.8.5 Get Broadcast Packet Reduction Command (Intel Command 0x05, Reduction Filter Index 0x02)

This command is not supported anymore. Use the Get Broadcast Extended Packet Reduction Command (Intel Command 0x05, Reduction Filter Index 0x12) instead (Section 10.6.3.8.10).

10.6.3.8.6 Get Unicast Extended Packet Reduction Command (Intel Command 0x05, Reduction Filter Index 0x10)

| Bytes | Bits | | | |
|---------|-------------------------------|-------|-------|-------|
| | 31:24 | 23:16 | 15:08 | 07:00 |
| 00...15 | NC-SI Header | | | |
| 16...19 | Manufacturer ID (Intel 0x157) | | | |
| 20...21 | 0x05 | 0x10 | | |

10.6.3.8.7 Get Unicast Extended Packet Reduction Response (Intel Command 0x05, Reduction Filter Index 0x10)

| Bytes | Bits | | | |
|---------|---|-------|---|-------|
| | 31:24 | 23:16 | 15:08 | 07:00 |
| 00...15 | NC-SI Header | | | |
| 16...19 | Response Code | | Reason Code | |
| 20...23 | Manufacturer ID (Intel 0x157) | | | |
| 24...27 | 0x05 | 0x10 | Extended Unicast Packet Reduction (MSB) | |
| 28...31 | Extended Unicast Packet Reduction (LSB) | | Unicast Packet Reduction (MSB) | |
| 32...33 | Unicast Packet Reduction (LSB) | | | |

10.6.3.8.8 Get Multicast Extended Packet Reduction Command (Intel Command 0x05, Reduction Filter Index 0x11)



| Bytes | Bits | | | |
|---------|-------------------------------|-------|-------|-------|
| | 31:24 | 23:16 | 15:08 | 07:00 |
| 00...15 | NC-SI Header | | | |
| 16...19 | Manufacturer ID (Intel 0x157) | | | |
| 20...21 | 0x05 | 0x11 | | |

10.6.3.8.9 Get Multicast Extended Packet Reduction Response (Intel Command 0x05, Reduction Filter Index 0x11)

| Bytes | Bits | | | |
|---------|---|-------|---|-------|
| | 31:24 | 23:16 | 15:08 | 07:00 |
| 00...15 | NC-SI Header | | | |
| 16...19 | Response Code | | Reason Code | |
| 20...23 | Manufacturer ID (Intel 0x157) | | | |
| 24...27 | 0x05 | 0x11 | Extended Multicast Packet Reduction (MSB) | |
| 28...31 | Extended Multicast Packet Reduction (LSB) | | Multicast Packet Reduction (MSB) | |
| 32...33 | Multicast Packet Reduction (LSB) | | | |

10.6.3.8.10 Get Broadcast Extended Packet Reduction Command (Intel Command 0x05, Reduction Filter Index 0x12)

| Bytes | Bits | | | |
|---------|-------------------------------|-------|-------|-------|
| | 31:24 | 23:16 | 15:08 | 07:00 |
| 00...15 | NC-SI Header | | | |
| 16...19 | Manufacturer ID (Intel 0x157) | | | |
| 20...21 | 0x05 | 0x12 | | |

10.6.3.8.11 Get Broadcast Extended Packet Reduction Response (Intel Command 0x05, Reduction Filter Index 0x12)

| Bytes | Bits | | | |
|---------|---|-------|---|-------|
| | 31:24 | 23:16 | 15:08 | 07:00 |
| 00...15 | NC-SI Header | | | |
| 16...19 | Response Code | | Reason Code | |
| 20...23 | Manufacturer ID (Intel 0x157) | | | |
| 24...27 | 0x05 | 0x12 | Extended Broadcast Packet Reduction (MSB) | |
| 28...31 | Extended Broadcast Packet Reduction (LSB) | | Broadcast Packet Reduction (MSB) | |
| 32...33 | Broadcast Packet Reduction (LSB) | | | |



10.6.3.9 System MAC Address

10.6.3.9.1 Get System MAC Address Command (Intel Command 0x06)

In order to support a system configuration that requires the NC to hold the MAC address for the MC (such as shared MAC address mode), the following command is provided to enable the MC to query the NC for a valid MAC address.

The NC must return the system MAC addresses. The MC should use the returned MAC addressing as a shared MAC address by setting it using the Set MAC Address command as defined in NC-SI 1.0.

It is also recommended that the MC use packet reduction and Manageability-to-Host command to set the proper filtering method.

| | Bits | | | |
|---------|-------------------------------|-------|-------|-------|
| Bytes | 31:24 | 23:16 | 15:08 | 07:00 |
| 00...15 | NC-SI Header | | | |
| 16...19 | Manufacturer ID (Intel 0x157) | | | |
| 20 | 0x06 | | | |

10.6.3.9.2 Get System MAC Address Response (Intel Command 0x06)

| | Bits | | | |
|---------|-------------------------------|-------------|-------------|-------|
| Bytes | 31:24 | 23:16 | 15:08 | 07:00 |
| 00...15 | NC-SI Header | | | |
| 16...19 | Response Code | | Reason Code | |
| 20...23 | Manufacturer ID (Intel 0x157) | | | |
| 24...27 | 0x06 | MAC Address | | |
| 28...30 | MAC Address | | | |

10.6.3.10 Set Intel Management Control Formats

10.6.3.10.1 Set Intel Management Control Command (Intel Command 0x20)

| | Bits | | | |
|---------|-------------------------------|-------|----------------------------|-------|
| Bytes | 31:24 | 23:16 | 15:08 | 07:00 |
| 00...15 | NC-SI Header | | | |
| 16...19 | Manufacturer ID (Intel 0x157) | | | |
| 20...22 | 0x20 | 0x00 | Intel Management Control 1 | |



Where Intel Management Control 1 is as follows:

| Bit # | Default value | Description |
|-------|---------------|--|
| 0 | 0b | Enable Critical Session Mode (Keep PHY Link Up and Veto Bit) 0b — Disabled 1b — Enabled When critical session mode is enabled, the following behaviors are disabled: <ul style="list-style-type: none"> The PHY is not reset on PE_RST# and PCIe resets (in-band and link drop). Other reset events are not affected — Internal_Power_On_Reset, device disable, Force TCO, and PHY reset by software. The PHY does not change its power state. As a result link speed does not change. The device does not initiate configuration of the PHY to avoid losing link. |
| 1...7 | 0x0 | Reserved |

10.6.3.10.2 Set Intel Management Control Response (Intel Command 0x20)

| Bytes | Bits | | | |
|---------|-------------------------------|-------|-------------|-------|
| | 31:24 | 23:16 | 15:08 | 07:00 |
| 00...15 | NC-SI Header | | | |
| 16...19 | Response Code | | Reason Code | |
| 20...23 | Manufacturer ID (Intel 0x157) | | | |
| 24...25 | 0x20 | 0x00 | | |

10.6.3.11 Get Intel Management Control Formats

10.6.3.11.1 Get Intel Management Control Command (Intel Command 0x21)

| Bytes | Bits | | | |
|---------|-------------------------------|-------|-------|-------|
| | 31:24 | 23:16 | 15:08 | 07:00 |
| 00...15 | NC-SI Header | | | |
| 16...19 | Manufacturer ID (Intel 0x157) | | | |
| 20...21 | 0x21 | 0x00 | | |

Where Intel Management Control 1 is as described in [Section 10.6.3.10.2](#).

10.6.3.11.2 Get Intel Management Control Response (Intel Command 0x21)

| Bytes | Bits | | | |
|---------|--------------|-------|-------|-------|
| | 31:24 | 23:16 | 15:08 | 07:00 |
| 00...15 | NC-SI Header | | | |



| Bytes | Bits | | | |
|---------|-------------------------------|-------|----------------------------|-------|
| | 31:24 | 23:16 | 15:08 | 07:00 |
| 16...19 | Response Code | | Reason Code | |
| 20...23 | Manufacturer ID (Intel 0x157) | | | |
| 24...26 | 0x21 | 0x00 | Intel Management Control 1 | |

10.6.3.12 TCO Reset

Depending on the bit set in the TCO mode field this command will cause the I210 to perform either:

1. TCO Reset, if Force TCO reset is enabled in the Flash (see [Section 6.7.1](#)). The Force TCO reset will clear the data-path (RX/TX) of the I210 to enable the MC to transmit/receive packets through the I210.
 - If the MC has detected that the OS is hung and has blocked the RX/TX path The Force TCO reset will clear the data-path (RX/TX) of the Network Controller to enable the MC to transmit/receive packets through the Network Controller.
 - When this command is issued to a channel in a package, it applies only to the specific channel.
 - After successfully performing the command the Network Controller will consider Force TCO command as an indication that the OS is hung and will clear the DRV_LOAD flag (disable the driver). If TCO reset is disabled in Flash the I210 clears the *CTRL_EXT.DRV_LOAD* bit but does not reset the data-path and notifies MC on successful completion.
 - Following TCO reset management sets *MANC.TCO_RESET* to 1.
2. TCO isolate, if TCO isolate is enabled in the Flash (See [Section 6.7.1.3](#)). The TCO Isolate command will disable PCIe write operations to the LAN port.
 - If TCO Isolate is disabled in Flash the I210 does not execute the command but sends a response to the MC with successful completion.
 - Following TCO Isolate management sets *MANC.TCO_Isolate* to 1.
3. Firmware Reset. This command will cause re-initialization of all the manageability functions and re-load of manageability related Flash words.
 - When the MC has loaded new management related Flash image the Firmware Reset command will load management related Flash information without need to power down the system.
 - This command is issued to the package and affects all channels. After the Firmware reset the FW Semaphore register (FWSM) is re-initialized.

Notes: Force TCO reset and TCO Isolate will affect only the channel (port) that the command was issued to.
Following firmware reset, MC will need to re-initialize the port.

Note: Only one of the fields should be set in a given command. Setting more than one field may yield unexpected results.

10.6.3.12.1 Perform Intel TCO Reset Command (Intel Command 0x22)



| Bytes | Bits | | | |
|---------|-------------------------------|----------|-------|-------|
| | 31:24 | 23:16 | 15:08 | 07:00 |
| 00...15 | NC-SI Header | | | |
| 16...19 | Manufacturer ID (Intel 0x157) | | | |
| 20 | 0x22 | TCO Mode | | |

Where TCO Mode is:

| Field | Bit(s) | Description |
|-----------------------------|--------|--|
| DO_TCO_RST | 0 | Perform TCO Reset. 0b: Do nothing. 1b: Perform TCO reset. |
| DO_TCO_ISOLATE ¹ | 1 | Do TCO Isolate 0b = Enable PCIe write access to LAN port. 1b = Isolate Host PCIe write operation to the port Note: Should be used for debug only. Note: The TCO Isolate do not impact MCTP traffic Note: When Isolate is set, the OS2BMC flow is disabled also. |
| RESET_MGMT | 2 | Reset manageability; re-load manageability Flash words. 0b = Do nothing 1b = Issue firmware reset to manageability Setting this bit generates a one-time firmware reset. Following the reset, management related data from Flash is loaded. |
| Reserved | 7:3 | Reserved (set to 0x00). |

Note: For compatibility, the TCO reset command without the TCO Mode parameter is accepted (TCO reset is performed).

1. TCO Isolate Host Write operation enabled in Flash.

10.6.3.12.2 Perform Intel TCO Reset Response (Intel Command 0x22)

| Bytes | Bits | | | |
|---------|-------------------------------|-------|-------------|-------|
| | 31:24 | 23:16 | 15:08 | 07:00 |
| 00...15 | NC-SI Header | | | |
| 16...19 | Response Code | | Reason Code | |
| 20...23 | Manufacturer ID (Intel 0x157) | | | |
| 24...26 | 0x22 | | | |

10.6.3.13 Checksum Offloading

This command enables the checksum offloading filters in the NC.

When enabled, these filters block any packets that did not pass IP, UDP and TCP checksums from being forwarded to the MC.

10.6.3.13.1 Enable Checksum Offloading Command (Intel Command 0x23)



| | Bits | | | |
|---------|-------------------------------|-------|-------|-------|
| Bytes | 31:24 | 23:16 | 15:08 | 07:00 |
| 00...15 | NC-SI Header | | | |
| 16...19 | Manufacturer ID (Intel 0x157) | | | |
| 20 | 0x23 | | | |

10.6.3.13.2 Enable Checksum Offloading Response (Intel Command 0x23)

| | Bits | | | |
|---------|-------------------------------|-------|-------------|-------|
| Bytes | 31:24 | 23:16 | 15:08 | 07:00 |
| 00...15 | NC-SI Header | | | |
| 16...19 | Response Code | | Reason Code | |
| 20...23 | Manufacturer ID (Intel 0x157) | | | |
| 24...26 | 0x23 | | | |

10.6.3.13.3 Disable Checksum Offloading Command (Intel Command 0x24)

| | Bits | | | |
|---------|-------------------------------|-------|-------|-------|
| Bytes | 31:24 | 23:16 | 15:08 | 07:00 |
| 00...15 | NC-SI Header | | | |
| 16...19 | Manufacturer ID (Intel 0x157) | | | |
| 20 | 0x24 | | | |

10.6.3.13.4 Disable Checksum Offloading Response (Intel Command 0x24)

| | Bits | | | |
|---------|-------------------------------|-------|-------------|-------|
| Bytes | 31:24 | 23:16 | 15:08 | 07:00 |
| 00...15 | NC-SI Header | | | |
| 16...19 | Response Code | | Reason Code | |
| 20...23 | Manufacturer ID (Intel 0x157) | | | |
| 24...26 | 0x24 | | | |

10.6.3.14 Shared MAC and shared IP support commands (Intel Command 0x25)

To meet the requirements introduced by sharing IP addresses, modifications and additions to the NC-SI command set are required. These changes includes the new commands in this section and the modifications described in [Section 10.3.7](#).

Note: All the indexes in this command set starts at 1 to match the NC-SI methodology.



10.6.3.14.1 Set IP Address Command (Intel Command 0x25, Index = 0x0)

The *Set IP Address* command is used by the Management Controller to communicate its IP address to a Network Controller. The format of a *Set IP Address* command packet is specified in [Table 10-42](#)

If at least one IP address filter is enabled, only unicast packets that match one of the enabled filters will be forwarded through the NC-SI interface. Otherwise, the IP address is ignored in the unicast filtering process.

This command does not impact the forwarding results. It is used as a preliminary stage to the *Set Binding* command

Table 10-42. Set IP Address Command Packet Format

| Bytes | Bits | | | |
|--------|----------------------------------|--------|-------------------|--------------|
| | 31..24 | 23..16 | 15..08 | 07..00 |
| 00..15 | NC-SI Header | | | |
| 16..19 | Manufacturer ID (Intel 0x157) | | | |
| 20..23 | 0x25 | 0x0 | Reserved | |
| 24..27 | Management Controller IP Address | | | |
| 28..31 | | | | |
| 32..35 | | | | |
| 36..39 | | | | |
| 40..43 | Reserved | | IP Address Number | Set IP Flags |
| 44..47 | Checksum | | | |

- **Management Controller IP Address:** An IP address that is used by the management controller. If the *IP Version* bit of the *Flags* field is 0 (IPv4), this is a 4-byte unicast IPv4 address in network byte order. In this case, the address occupies bytes 24-27 of the packet, and bytes 28-39 are ignored. If the *IP Version* bit of the *Flags* field is 1 (IPv6), this is a 16-byte unicast IPv6 address in network byte order. In this case, the address occupies the full field (bytes 24-39 of the packet).
- **IP Address Number:** Indicates which IP address filter is configured by the command. The value can relate to one of three pools of filters according to the following table:

Table 10-43. IP filters pools

| Set IP Flag.IP Version | Set IP Flag.Mixed Index | Pool to use | Allowed values |
|------------------------|-------------------------|-------------|------------------------------------|
| 0 | 0 | IPv4 | 1 to Number of IPv4 only addresses |
| 1 | 0 | IPv6 | 1 to Number of IPv6 only addresses |
| X | 1 | Mixed | 1 to Number of Mixed IP addresses |

Note: The values in this allowed values column refers to the Get Shared IP Capabilities Response ([Section 10.6.3.14.6.1](#))



- Table 10-44 describes the bits fields in the *Set IP Flags* field.

Table 10-44. Set IP Flag Field

| Bit Position | Field Description | Value Description |
|--------------|-------------------|--|
| 0 | Enable | 0 = Disable the filter 1 = Enable the filter |
| 1 | IP version | 0 = IPv4 1 = IPv6 |
| 2 | Mixed index | 0 = Index relates to the IPv4 or IPv6 only IP filter sets according to the IP version field. 1 = Index relates to the mixed IP filter set. |
| 3 | MAC based IP | This flags define if the Ipv6 address is derived from a MAC address and thus only the 24 LSB should be used for the comparison. This flag is relevant only if the IP version = IPv6. 0 = Filter according to full 128 bit of IPv6 address 1 = Filter according to the 24 least significant bits of the IPv6 address. |
| 7:4 | Reserved | Reserved |

10.6.3.14.1 Set IP Address Response

The Network Controller shall, in the absence of a checksum error or identifier mismatch, always accept the *Set IP Address* command and send a response, using the format specified in Table 10-45.

Table 10-45. Set IP Address Response Packet Format

| Bytes | Bits | | | |
|--------|-------------------------------|--------|-------------|--------|
| | 31..24 | 23..16 | 15..08 | 07..00 |
| 00..15 | NC-SI Header | | | |
| 16..19 | Response Code | | Reason Code | |
| 20..23 | Manufacturer ID (Intel 0x157) | | | |
| 24..27 | 0x25 | 0x0 | Reserved | |
| 28..31 | Checksum | | | |

10.6.3.14.2 Get IP Address Command (Intel Command 0x25, Index = 0x1)

A Management Controller uses the *Get IP Address* command to determine the IP address programmed in one of the IP address filters in a Network Controller. The format of a *Get IP Address* command packet is specified in Table 10-46.

Table 10-46. Get IP Address Command Packet Format

| Bytes | Bits | | | |
|--------|-------------------------------|--------|-------------------|----------------|
| | 31..24 | 23..16 | 15..08 | 07..00 |
| 00..15 | NC-SI Header | | | |
| 16..19 | Manufacturer ID (Intel 0x157) | | | |
| 20..23 | 0x25 | 0x1 | Reserved | |
| 24..27 | Reserved | | IP Address Number | IP filter pool |
| 28..31 | Checksum | | | |



- IP address number. Defines the index of the IP address in the pool defined by the IP filter pool. The allowed values are as defined in [Table 10-43](#).
- IP filter pool:
 - 0x0: Mixed IP filters
 - 0x1: IPv4 filters
 - 0x2: IPv6 filters
 - 0x3 - 0xFF: Reserved

10.6.3.14.2.1 Get IP Address Response

The Network Controller shall, in the absence of a checksum error or identifier mismatch, always accept the *Get IP Address* command and send a response, using the format specified in [Table 10-47](#).

Table 10-47. Get IP Address Response Packet Format

| Bytes | Bits | | | |
|--------|----------------------------------|--------|-------------------|--------------|
| | 31..24 | 23..16 | 15..08 | 07..00 |
| 00..15 | NC-SI Header | | | |
| 16..19 | Response Code | | Reason Code | |
| 20..23 | Manufacturer ID (Intel 0x157) | | | |
| 24..27 | 0x25 | 0x1 | IP Address Number | Get IP Flags |
| 28..31 | Management Controller IP Address | | | |
| 32..35 | | | | |
| 36..39 | | | | |
| 40..43 | | | | |
| 44..47 | Checksum | | | |

- Management Controller IP Address: An IP address that is used by the management controller. If the *IP Version* bit of the *Flags* field is 0 (IPv4), this is a 4-byte unicast IPv4 address in network byte order. In this case, the address occupies bytes 28-31 of the packet, and bytes 32-43 are ignored. If the *IP Version* bit of the *Flags* field is 1 (IPv6), this is a 16-byte unicast IPv6 address in network byte order. In this case, the address occupies the full field (bytes 28-43 of the packet).
- IP Address Number: Indicates which IP address filter is described in the response. Should be equal to the IP Address Number in the command.
- [Table 10-48](#) describes the bits fields in the *Get IP Flags* field.

Table 10-48. Get IP Flag Field

| Bit Position | Field Description | Value Description |
|--------------|-------------------|---|
| 0 | Enable | 0 = Filter is disabled 1 = Filter is enabled |
| 1 | IP version | 0 = IPv4 1 = IPv6 |



Table 10-48. Get IP Flag Field

| | | |
|-----|--------------|--|
| 2 | Mixed Index | 0 = Index relates to the IPv4 or IPv6 only IP filter sets according to the IP version field. 1 = Index relates to the mixed IP filter set. |
| 3 | MAC based IP | This flags define if the Ipv6 address is derived from a MAC address and thus only the 24 LSB should be used for the comparison. This flag is relevant only if the IP version = IPv6. 0 = Filter according to full 128 bit of IPv6 address 1 = Filter according to the 24 least significant bits of the IPv6 address. |
| 7:3 | Reserved | Reserved |

10.6.3.14.3 Set Port Command (Intel Command 0x25, Index = 0x2)

A Management Controller uses the *Set Port* command to communicate one of its TCP or UDP ports to a Network Controller. The format of a *Set Port* command packet is specified in [Table 10-49](#).

This command do not impact the forwarding results. It is used as a preliminary stage to the *Set Binding* command.

If the *Ignore Protocol* flag is cleared, the protocol should also match the *Protocol* field otherwise, the *Protocol* field is ignored.

Table 10-49. Set Port Command Packet Format

| Bytes | Bits | | | |
|--------|-------------------------------|----------|----------------|----------|
| | 31..24 | 23..16 | 15..08 | 07..00 |
| 00..15 | NC-SI header | | | |
| 16..19 | Manufacturer ID (Intel 0x157) | | | |
| 20..23 | 0x25 | 0x2 | Set Port Flags | Reserved |
| 24..27 | Port Index | Protocol | Port | |
| 28..31 | Checksum | | | |

- Protocol: The value to match in the IPv4 header *Protocol* field or IPv6 header *Next Header* field. These values are defined by IANA. Allowed values are 0x6 (TCP) and 0x11 (UDP).
- Port: The value to match in the *Destination Port* or *Source Port* field of the TCP or UDP header. The legal port range for both TCP and UDP is 0-65,535. The compared field is defined by the Port Type flag.
- Port Index: Indicates which port filter is configured by the command. Allowed values are 1 to *n*, where *n* is the number of port filters supported by the Network Controller.

[Table 10-50](#) describes the fields in the *Set Port Flags* field.

Table 10-50. Set Port Flags Field Descriptions

| Bit Position | Field Description | Value Description |
|--------------|-------------------|---|
| 0 | Enable | 0 = Disable the filter 1 = Enable the filter |
| 1 | Ignore Protocol | 0 = Filter by port and Protocol 1 = Filter by port only. |
| 2 | Port Type | 0 = Compare Destination Port. 1 = Compare Source Port. |
| 7:3 | Reserved | Reserved |



10.6.3.14.3.1 Set Port Response

The Network Controller shall, in the absence of a checksum error or identifier mismatch, always accept the *Set Port* command and send a response, using the format specified in [Table 10-51](#).

Table 10-51. Set Port Response Packet Format

| Bytes | Bits | | | |
|--------|-------------------------------|--------|-------------|--------|
| | 31..24 | 23..16 | 15..08 | 07..00 |
| 12..15 | NC-SI Header | | | |
| 16..19 | Response Code | | Reason Code | |
| 20..23 | Manufacturer ID (Intel 0x157) | | | |
| 24..27 | 0x25 | 0x2 | Reserved | |
| 28..31 | Checksum | | | |

10.6.3.14.4 Get Port Command (Intel Command 0x25, Index = 0x3)

A Management Controller uses the *Get Port* command to determine the TCP or UDP port programmed in one of the port filters in a Network Controller. The format of a *Get Port* command packet is specified in [Table 10-52](#).

Table 10-52. Get Port Command Packet Format

| Bytes | Bits | | | |
|--------|-------------------------------|--------|------------|----------|
| | 31..24 | 23..16 | 15..08 | 07..00 |
| 00..15 | NC-SI Header | | | |
| 16..19 | Manufacturer ID (Intel 0x157) | | | |
| 20..23 | 0x25 | 0x3 | Reserved | |
| 24..27 | Reserved | | Port Index | Reserved |
| 28..31 | Checksum | | | |

[Table 10-53](#) describes the fields in the *Get Port* command.

Table 10-53. Get Port Command Field Descriptions

| Field | Field Description | Value Description |
|------------|--|---|
| Port Index | Indicates which port filter is requested by the command. | 1 to n , where n is the number of port filters supported by the Network Controller. |

10.6.3.14.4.1 Get Port Response

The Network Controller shall, in the absence of a checksum error or identifier mismatch, always accept the *Get Port* command and send a response, using the format specified in [Table 10-54](#).

Table 10-54. Get Port Response Packet Format

| Bytes | Bits | | | |
|--------|--------------|--------|--------|--------|
| | 31..24 | 23..16 | 15..08 | 07..00 |
| 00..15 | NC-SI Header | | | |



Table 10-54. Get Port Response Packet Format

| | | | | |
|--------|-------------------------------|----------|----------------|----------|
| 16..19 | Response Code | | Reason Code | |
| 20..23 | Manufacturer ID (Intel 0x157) | | | |
| 24..27 | 0x25 | 0x3 | Get Port Flags | Reserved |
| 28..31 | Port Index | Protocol | Port | |
| 32..35 | Checksum | | | |

- Protocol: The value compared in the IPv4 header *Protocol* field or IPv6 header *Next Header* field. Possible values are 0x6 (TCP) and 0x11 (UDP). This field is relevant only if the *Ignore Protocol* flag is cleared.
- Port: The value compared in the *Destination Port or Source Port* field of the TCP or UDP header.
- Port Index: Indicates which port filter is reported by the response. Should match the Port Index in the command.

Table 10-55 describes the fields in the *Get Port Flags* field.

Table 10-55. Get Port Flags Field Descriptions

| Bit Position | Field Description | Value Description |
|--------------|-------------------|---|
| 0 | Enable | 0 = Filter is disabled 1 = Filter is enabled |
| 1 | Ignore Protocol | 0 = Filter by port and Protocol 1 = Filter by port only. |
| 2 | Port Type | 0 = Compare Destination Port. 1 = Compare Source Port. |
| 7:3 | Reserved | Reserved |

10.6.3.14.5 Enable Unicast Infrastructure Filter Command (Intel Command 0x25, Index = 0x4)

A Management Controller uses the *Enable Unicast Infrastructure Filter* command to configure a Network Controller to forward copies of network infrastructure packets to it. Network infrastructure packets contain messages that are necessary for operation of the network infrastructure layers (e.g., DHCP, ARP, and DNS messages). This is required when the Management Controller shares an IP address with the Host. In this case, both the Host and the Management Controller need to process the messages, so the Network Controller must forward the packets to both the Management Controller and the Host.

This command should be applied only after a MAC address is added using the *Set MAC Address NC-SI* command.

All the IP addresses added through the *Set IP* command before this command is given are considered as IP addresses of the management controller for the purpose of this command.

If a *Set IP* command is received after this command was received, the list of IP address is not updated and this command should be given again.



The format of an *Enable Unicast Infrastructure Filter* command packet is specified in Table 10-56.

Table 10-56. Enable Unicast Infrastructure Filter Command

| Bytes | Bits | | | |
|--------|--|--------|-------------|--------|
| | 31..24 | 23..16 | 15..08 | 07..00 |
| 00..15 | NC-SI Header | | | |
| 16..19 | Response Code | | Reason Code | |
| 20..23 | Manufacturer ID (Intel 0x157) | | | |
| 24..27 | 0x25 | 0x4 | Reserved | |
| 28..31 | Unicast Infrastructure Filter Settings | | | |
| 32..35 | Checksum | | | |
| 36..29 | Padding | | | |

Table 10-57 describes the sub fields of the Unicast Infrastructure Filter Settings field.

Table 10-57. Unicast Infrastructure Packet Filter Settings Field

| Bit Position | Field Description | Value Description |
|--------------|---|---|
| 0 | ARP Response packets received from wire | <p>0x1 = Forward this packet type to both the Host and the Management Controller 0x0 = Forward this packet type to the Host only</p> <p>For the purposes of this filter, an ARP response packet is defined to be any packet that meets all of the following requirements:</p> <ul style="list-style-type: none"> The Ethernet <i>Destination Address</i> field contains the MAC address assigned to the management controller. The Ethernet <i>Type</i> field contains 0x0806 (ARP). The ARP <i>Opcode</i> field is set to 0x0002 (Response). The ARP <i>Target Protocol Address</i> field contains the IP address assigned to the management controller. |
| 1 | ICMP Request packets received from wire | <p>0x1 = Forward this packet type to both the Host and the Management Controller 0x0 = Forward this packet type to the Host only</p> <p>For the purposes of this filter, an ICMP Request packet is defined to be any packet that meets all of the following requirements:</p> <ul style="list-style-type: none"> The Ethernet <i>Destination Address</i> field contains the MAC address assigned to the management controller. The Ethernet <i>Type</i> field contains 0x0800 (IPv4). The IP <i>Destination Address</i> field contains the IPv4 address assigned to the management controller. The IP <i>Protocol</i> field contains 1 (ICMP). |
| 2 | ICMPv6 Request packets received from wire | <p>0x1 = Forward this packet type to both the Host and the Management Controller 0x0 = Forward this packet type to the Host only</p> <p>For the purposes of this filter, an ICMPv6 Request packet is defined to be any packet that meets all of the following requirements:</p> <ul style="list-style-type: none"> The Ethernet <i>Destination Address</i> field contains the MAC address assigned to the management controller. The Ethernet <i>Type</i> field contains 0x86DD (IPv6). The IP <i>Destination Address</i> field contains the IPv6 address assigned to the management controller. The IP <i>Next Header</i> field contains 58 (ICMPv6). <p>Note: This filter is not supported by the I210.</p> |



Table 10-57. Unicast Infrastructure Packet Filter Settings Field

| | | |
|---|--|---|
| 3 | DHCP Server unicast packets received from wire | <p>0x1 = Forward this packet type to both the Host and the Management Controller 0x0 = Forward this packet type to the Host only</p> <p>For the purposes of this filter, a DHCP Server unicast packet is defined to be any packet that meets all of the following requirements:</p> <ul style="list-style-type: none"> • The Ethernet <i>Destination Address</i> field contains the MAC address assigned to the management controller. • The Ethernet <i>Type</i> field contains 0x0800 (IPv4). • The IP <i>Destination Address</i> field contains either 255.255.255.255 (the local broadcast address) or the IPv4 address assigned to the management controller. • The IP <i>Protocol</i> field contains 17 (UDP). • The UDP <i>Destination Port</i> field contains 67 (Bootstrap Protocol Client). |
| 4 | DNS Server packets received from wire | <p>0x1 = Forward this packet type to both the Host and the Management Controller 0x0 = Forward this packet type to the Host only</p> <p>For the purposes of this filter, a DNS Server unicast packet is defined to be any packet that meets all of the following requirements:</p> <ul style="list-style-type: none"> • The Ethernet <i>Destination Address</i> field contains the MAC address assigned to the management controller. • The Ethernet <i>Type</i> field contains 0x0800 (IPv4). • The IP <i>Destination Address</i> field contains the IPv4 address assigned to the management controller. • The IP <i>Protocol</i> field contains 17 (UDP). • The UDP <i>Source Port</i> field contains 53 (Domain Name Server). |
| 5 | DHCP Client packets transmitted by Host | <p>0x1 = Forward this packet type to both the Host and the Management Controller 0x0 = Forward this packet type to the wire only</p> <p>For the purposes of this filter, a DHCP Client unicast packet is defined to be any packet that meets all of the following requirements:</p> <ul style="list-style-type: none"> • The Ethernet <i>Source Address</i> field contains the MAC address assigned to the management controller. • The Ethernet <i>Type</i> field contains 0x0800 (IPv4). • The IP <i>Protocol</i> field contains 17 (UDP). • The UDP <i>Destination Port</i> field contains 68 (Bootstrap Protocol Server). |
| 6 | DHCPv6 Server unicast packets received from wire | <p>0x1 = Forward this packet type to both the Host and the Management Controller 0x0 = Forward this packet type to the Host only</p> <p>For the purposes of this filter, a DHCPv6 Server unicast packet is defined to be any packet that meets all of the following requirements:</p> <ul style="list-style-type: none"> • The Ethernet <i>Destination Address</i> field contains the MAC address assigned to the management controller. • The Ethernet <i>Type</i> field contains 0x86DD (IPv6). • The IPv6 <i>Destination Address</i> field contains the IPv6 address assigned to the management controller. • The IP <i>Protocol</i> field contains 17 (UDP). • The UDP <i>Destination Port</i> field contains 546 (DHCPv6 Protocol Client). |
| 7 | RMCP Primary port - UDP packets received from wire | <p>0x1 = Forward this packet type to the Management Controller only 0x0 = Forward this packet type to the Host</p> <p>For the purposes of this filter, a RMCP Primary port UDP packet is defined to be any packet that meets all of the following requirements:</p> <ul style="list-style-type: none"> • The Ethernet <i>Destination Address</i> field contains the MAC address assigned to the management controller. • The Ethernet <i>Type</i> field contains 0x86DD (IPv6) Or 0x0800 (IPv4). • The IP <i>Destination Address</i> field contains the one of the IP address assigned to the management controller. • The IP <i>Protocol</i> field contains 17 (UDP). • The UDP <i>Destination Port</i> field contains 623 (Aux Bus Shunt (Primary RMCP Port)). |



Table 10-57. Unicast Infrastructure Packet Filter Settings Field

| | | |
|--------|--|---|
| 8 | RMCP Primary port - TCP packets received from wire | <p>0x1 = Forward this packet type to the Management Controller only 0x0 = Forward this packet type to the Host</p> <p>For the purposes of this filter, a RMCP Primary port TCP packet is defined to be any packet that meets all of the following requirements:</p> <ul style="list-style-type: none"> • The Ethernet <i>Destination Address</i> field contains the MAC address assigned to the management controller. • The Ethernet <i>Type</i> field contains 0x86DD (IPv6) 0r 0x0800 (IPv4). • The IP <i>Destination Address</i> field contains the one of the IP address assigned to the management controller. • The IP <i>Protocol</i> field contains 6 (TCP). • The TCP <i>Destination Port</i> field contains 623 (Aux Bus Shunt (Primary RMCP Port)). |
| 9 | RMCP Secondary port - UDP packets received from wire | <p>0x1 = Forward this packet type to the Management Controller only 0x0 = Forward this packet type to the Host</p> <p>For the purposes of this filter, a RMCP Secondary port TCP packet is defined to be any packet that meets all of the following requirements:</p> <ul style="list-style-type: none"> • The Ethernet <i>Destination Address</i> field contains the MAC address assigned to the management controller. • The Ethernet <i>Type</i> field contains 0x86DD (IPv6) 0r 0x0800 (IPv4). • The IP <i>Destination Address</i> field contains the one of the IP address assigned to the management controller. • The IP <i>Protocol</i> field contains 17 (UDP). • The UDP <i>Destination Port</i> field contains 664 (Secure Aux Bus (Secondary RMCP Port)). |
| 10 | RMCP Secondary port - TCP packets received from wire | <p>0x1 = Forward this packet type to the Management Controller only 0x0 = Forward this packet type to the Host</p> <p>For the purposes of this filter, a RMCP Secondary port TCP packet is defined to be any packet that meets all of the following requirements:</p> <ul style="list-style-type: none"> • The Ethernet <i>Destination Address</i> field contains the MAC address assigned to the management controller. • The Ethernet <i>Type</i> field contains 0x86DD (IPv6) 0r 0x0800 (IPv4). • The IP <i>Destination Address</i> field contains the one of the IP address assigned to the management controller. • The IP <i>Protocol</i> field contains 6 (TCP). • The TCP <i>Destination Port</i> field contains 664 (Secure Aux Bus (Secondary RMCP Port)). |
| 11..31 | Reserved | None |

10.6.3.14.5.1 Enable Unicast Infrastructure Filter Response

The Network Controller shall, in the absence of a checksum error or identifier mismatch, always accept the *Enable Unicast Infrastructure Filter* command and send a response, using the format specified in [Table 10-58](#). Currently no command-specific reason codes are identified for this response.

Table 10-58. Enable Unicast Infrastructure Filter Response Packet Format

| Bits | |
|--------|-------------------------------|
| 00..15 | NC-SI Header |
| 16..19 | Response Code |
| 20..23 | Reason Code |
| 24..27 | Manufacturer ID (Intel 0x157) |
| 28..29 | 0x25 0x4 Reserved |
| | Checksum |

10.6.3.14.6 Get Shared IP Capabilities Command (Intel Command 0x25, Index = 0x5)



A Management Controller uses the *Get Shared IP Capabilities* command to determine the level of support of shared IP of the device. The format of a *Get Shared IP Capabilities* command packet is specified in [Table 10-59](#).

Table 10-59. Get Shared IP Capabilities Command Packet Format

| Bytes | Bits | | | |
|--------|-------------------------------|--------|----------|--------|
| | 31..24 | 23..16 | 15..08 | 07..00 |
| 00..15 | NC-SI Header | | | |
| 16..19 | Manufacturer ID (Intel 0x157) | | | |
| 20..23 | 0x25 | 0x5 | Reserved | |
| 24..27 | Checksum | | | |

10.6.3.14.6.1 Get Shared IP Capabilities Response

The Network Controller shall, in the absence of a checksum error or identifier mismatch, always accept the *Get Shared IP Capabilities* command and send a response, using the format specified in [Table 10-60](#). Currently no command-specific reason codes are identified for this response.

Table 10-60. Get Shared IP Capabilities Response Packet Format

| Bytes | Bits | | | |
|--------|--|-----------------|----------------------------|-------------------------------|
| | 31..24 | 23..16 | 15..08 | 07..00 |
| 00..15 | NC-SI Header | | | |
| 16..19 | Response Code | | Reason Code | |
| 20..23 | Manufacturer ID (Intel 0x157) | | | |
| 24..27 | 0x25 | 0x5 | Number of Mixed IP address | Number of IPv4 only addresses |
| 28..31 | Number of IPv6 only addresses | Number of Ports | Number of bindings | Filtering capabilities |
| 32..35 | Unicast Infrastructure Filter capabilities | | | |
| 36..30 | Checksum | | | |

- Number of mixed IP addresses - The number of supported IP filters that can be used for IPv4 or IPv6. The I210 do not support mixed IP address filters.
- Number of IPv4 only addresses - The number of supported IP filters that can be used for IPv4 only. The I210 supports four IPv4 address filters.
- Number of IPv6 only addresses - The number of supported IP filters that can be used for IPv6 only. The I210 supports three IPv6 address filters.
- Number of Ports - The number of supported Port filters. The I210 supports ten ports.
- Number of bindings - Defines the number of IP addresses that can be bound with different ports. The I210 supports three bindings.
- Unicast Infrastructure Filter capabilities - Defines the optional Unicast Infrastructure Filter capabilities that the channel supports. The bit definitions for this field correspond directly with the bit definitions for the Unicast Infrastructure Filter Settings field defined for the Unicast Infrastructure Filter command in [Table 10-57](#). A bit set to 1 indicates that the channel supports the filter associated with that bit position; otherwise, the channel does not support that filter. The I210 supports all filters except ICMPv6 filtering, as such, the returned value is 0x7FB.



- Table 10-61 describes the bits fields in the *Filtering Capabilities* field.

Table 10-61. Filtering Capabilities Field

| Bit Position | Field Description | Value Description |
|--------------|-------------------------------|---|
| 0 | IPv4 support | 0 = IPv4 filtering is not supported 1 = IPv4 filtering is supported |
| 1 | IPv6 support | 0 = IPv6 filtering is not supported 1 = IPv6 filtering is supported |
| 2 | Protocol filtering support | 0 = Filtering by protocol is not supported 1 = Filtering by protocol is supported |
| 3 | Source port filtering support | 0 = Port Filtering is supported only for destination port 1 = Port Filtering is supported for destination port or source port. |
| 7:4 | Reserved | Reserved |

10.6.3.14.7 Shared IP Enable Broadcast Filtering Command (Intel Command 0x25, Index = 0x6)

A new *Shared IP Enable Broadcast Filtering* is defined to allow the Management Controller to limit the flow of ARP requests to those that contain a *Target IP Address* value that matches the Management Controller IP Address.

This command should be used instead of the regular NC-SI *Enable Broadcast Filtering* command.

Note: Reception of a standard NC-SI *Enable Broadcast Filtering* command will enable the matching bits in this command. Reception of a standard NC-SI *Disable Broadcast Filter* Command will clear the settings in this command.

The format of an *Shared IP Enable Broadcast Filtering* command packet is specified in Table 10-56.

Table 10-62. Shared IP Enable Broadcast Filtering Command

| Bytes | Bits | | | |
|--------|--|--------|----------|--------|
| | 31..24 | 23..16 | 15..08 | 07..00 |
| 00..15 | NC-SI Header | | | |
| 16..19 | Manufacturer ID (Intel 0x157) | | | |
| 20..23 | 0x25 | 0x6 | Reserved | |
| 24..27 | Shared IP Broadcast Packet Filter Settings | | | |
| 28..31 | Checksum | | | |
| 32..35 | Padding | | | |



The content of the *Shared IP Broadcast Packet Filter Settings* field is specified in Table 10-63. Bit 4 has been added to the standard Enable Broadcast Filtering Command *Limit ARP Broadcast Packets to Management Controller IP Address*.

Table 10-63. Shared IP Broadcast Packet Filter Settings Field

| Bit Position | Field Description | Value Description |
|--------------|--|--|
| 0:3 | As defined in DSP0222 | As defined in DSP0222 in 8.4.33 Enable Broadcast Filter Command (0x10) - table 68 |
| 4 | Limit ARP Broadcast Packets to Management Controller IP Address. | When bit 0 is set, this bit can be set to limit the flow of ARP packets to the Management Controller as follows: 0x1 = Forward only ARP broadcast packets that are targeted at IP addresses bound to the Management Controller. 0x0 = Forward all ARP broadcast packets to the Management Controller. All the IPs set by the <i>Set IP</i> command before this command is given will be included in forwarding. This field is optional. If unsupported, the behavior for ARP packets will be set according to bit 0 in this structure. The value shall be set to 0 if unsupported. |
| 5:31 | Reserved | None |

10.6.3.14.7.1 Shared IP Enable Broadcast Filtering Response

The Network Controller shall, in the absence of a checksum error or identifier mismatch, always accept the *Shared IP Enable Broadcast Filtering* command and send a response, using the format specified in Table 10-58. Currently no command-specific reason codes are identified for this response.

Table 10-64. Shared IP Enable Broadcast Filtering Packet Format

| Bits | |
|--------|-------------------------------|
| 00..15 | NC-SI Header |
| 16..19 | Response Code |
| 20..23 | Reason Code |
| 24..27 | Manufacturer ID (Intel 0x157) |
| 28..29 | 0x25 0x6 Reserved |
| | Checksum |

10.6.3.14.8 Shared IP Enable Global Multicast Filtering Command (Intel Command 0x25, Index = 0x7)

A new *Shared IP Enable Global Multicast Filtering* is defined to allow the Management Controller to enable the forwarding of IEEE 802.1X Extensible Authentication Protocol over LAN (EAPOL) frames to the Management Controller IP Address. IEEE 802.1X defines methods for port-based network access control.

This command should be used instead of the regular NC-SI *Enable Global Multicast Filtering* command.

Note: Reception of a standard NC-SI *Enable Global Multicast Filtering* command will enable the matching bits in this command. Reception of a standard NC-SI *Disable Global Multicast Filter* Command will clear the settings in this command.



The format of an *Shared IP Enable Global Multicast Filtering* command packet is specified in Table 10-65.

Table 10-65. Shared IP Enable Global Multicast Filtering Command

| Bytes | Bits | | | |
|--------|--|--------|----------|--------|
| | 31..24 | 23..16 | 15..08 | 07..00 |
| 00..15 | NC-SI Header | | | |
| 16..19 | Manufacturer ID (Intel 0x157) | | | |
| 20..23 | 0x25 | 0x7 | Reserved | |
| 24..27 | Shared IP Multicast Packet Filter Settings | | | |
| 28..31 | Checksum | | | |
| 32..35 | Padding | | | |

The content of the *Shared IP Multicast Packet Filter Settings* field is specified in Table 10-66. Bit 4 has been added to the standard Enable Broadcast Filtering Command *Limit ARP Broadcast Packets to Management Controller IP Address*.

Table 10-66. Shared IP Multicast Packet Filter Settings Field

| Bit Position | Field Description | Value Description |
|--------------|-----------------------|---|
| 0:2 | As defined in DSP0222 | As defined in DSP0222 in 8.4.37 Enable Global Multicast Filter Command (0x12) - table 74 |
| 3 | IEEE 802.1X EAPOL | 0x1 = Forward this packet type to the Management Controller 0x0 = Filter out this packet type For the purposes of this filter, a IEEE 802.1X multicast packet is defined to be any packet that meets all of the following requirements: <ul style="list-style-type: none"> The destination MAC address field is set to the layer 2 multicast address 01:80:c2:00:00:03. The EtherType field is set to 0x888E (802.1X PAE). This field is optional. If unsupported, multicast 802.1X packets will be blocked when multicast filtering is enabled, unless they are matched by an address filter configured using the Set MAC Address command. The value shall be set to 0 if unsupported. |
| 4:31 | Reserved | None |

10.6.3.14.8.1 Shared IP Enable Global Multicast Filtering Response

The Network Controller shall, in the absence of a checksum error or identifier mismatch, always accept the *Shared IP Enable Global Multicast Filtering* command and send a response, using the format specified in Table 10-67. Currently no command-specific reason codes are identified for this response.

Table 10-67. Shared IP Enable Global Multicast Filtering Packet Format

| Bytes | Bits | | |
|--------|-------------------------------|--------|-------------|
| | 31..24 | 23..16 | 15..08 |
| 00..15 | NC-SI Header | | |
| 16..19 | Response Code | | Reason Code |
| 20..23 | Manufacturer ID (Intel 0x157) | | |
| 24..27 | 0x25 | 0x7 | Reserved |
| 28..29 | Checksum | | |



10.6.3.14.9 Get Shared IP Parameters Command (Intel Command 0x25, Index = 0x8)

The *Get Shared IP parameters* command can be used by the Management Controller to request that the channel send the Management Controller a copy of part of the currently stored parameter settings that have been put into effect by the Management Controller related to shared IP filtering. The format of a *Get Shared IP Capabilities* command packet is specified in [Table 10-68](#).

Table 10-68. Get Shared IP Parameters Command Packet Format

| Bytes | Bits | | | |
|--------|-------------------------------|--------|----------|--------|
| | 31..24 | 23..16 | 15..08 | 07..00 |
| 00..15 | NC-SI Header | | | |
| 16..19 | Manufacturer ID (Intel 0x157) | | | |
| 20..23 | 0x25 | 0x8 | Reserved | |
| 24..27 | Checksum | | | |

10.6.3.14.9.1 Get Shared IP Parameters Response

The Network Controller shall, in the absence of a checksum error or identifier mismatch, always accept the *Get Shared IP Parameters* command and send a response, using the format specified in [Table 10-69](#). Currently no command-specific reason codes are identified for this response.

Table 10-69. Get Shared IP Parameters Response Packet Format

| Bytes | Bits | | | |
|--------|--|--------------------|-------------|--------|
| | 31..24 | 23..16 | 15..08 | 07..00 |
| 00..15 | NC-SI Header | | | |
| 16..19 | Response Code | | Reason Code | |
| 20..23 | Manufacturer ID (Intel 0x157) | | | |
| 24..27 | 0x25 | 0x8 | Reserved | |
| 28..31 | Number of IP Addresses | IP addresses Flags | | |
| 32..35 | Number of ports | Ports Flags | | |
| 36..39 | Unicast Infrastructure Filter Settings | | | |
| 40..43 | Broadcast Filtering Settings | | | |
| 44..47 | Multicast Filtering Settings | | | |
| 48..51 | Checksum | | | |

- Number of IP addresses - The number of supported IP filters including all the types of IP addresses (IPv4 only, IPv6 only and mixed).
- IP address flags: The enable/disable state for each supported IP address. See [Table 10-70](#).

Table 10-70. IP address flags Field

| Bit Position | Field Description | Value Description |
|--------------|---------------------------------|---|
| 0 | IP address 1 status | 0b = Default or unsupported or disabled 1b = Enabled |
| 1 | IP address 2 status or Reserved | 0b = Default or unsupported or disabled 1b = Enabled |

**Table 10-70. IP address flags Field**

| | | |
|-----|----------------------------------|---|
| 2 | IP address 3 status or Reserved | 0b = Default or unsupported or disabled 1b = Enabled |
| ... | | |
| 23 | IP address 24 status or Reserved | 0b = Default or unsupported or disabled 1b = Enabled |

Note: IP address flags are organized in the following order: IPv4 addresses first, followed by IPv6 addresses, followed by mixed addresses, with the number of each corresponding to those reported through the *Get Shared IP Capabilities* command. For example, if the interface reports four IPv4 filters, two IPv6 filters, and two mixed filters, then IP addresses 1 through 4 are those currently configured through the interface's IPv4 filters, IP addresses 5 and 6 are those configured through the IPv6 filters, and 7 and 8 are those configured through the mixed filters.

Note: The actual settings of each enabled IP address can be found using the *Get IP address* command

- Number of Ports - The number of supported Port filters.
- Port flags: The enable/disable state for each supported ports. See [Table 10-70](#)

Table 10-71. Port flags Field

| Bit Position | Field Description | Value Description |
|--------------|----------------------------|---|
| 0 | Port 1 status | 0b = Default or unsupported or disabled 1b = Enabled |
| 1 | Port 2 status or Reserved | 0b = Default or unsupported or disabled 1b = Enabled |
| 2 | Port 3 status or Reserved | 0b = Default or unsupported or disabled 1b = Enabled |
| ... | | |
| 23 | Port 24 status or Reserved | 0b = Default or unsupported or disabled 1b = Enabled |

Note: The actual settings of each enabled port can be found using the *Get Port* command

- Unicast Infrastructure Filter settings - Defines the optional Unicast Infrastructure Filter capabilities settings. The bit definitions for this field correspond directly with the bit definitions for the Unicast Infrastructure Filter Settings field defined for the Unicast Infrastructure Filter command in [Table 10-57](#). A bit set to 1 indicates that the filter associated with that bit position is enabled; otherwise, the filter is not enabled.
- Broadcast Filter settings - Defines the optional Broadcast Filter settings. The bit definitions for this field correspond directly with the bit definitions for the Broadcast Filter Settings field defined for the Shared IP Broadcast Filtering command in [Table 10-63](#). A bit set to 1 indicates that the filter associated with that bit position is enabled; otherwise, the filter is not enabled.
- Global Multicast Filter settings - Defines the optional Multicast Filter capabilities settings. The bit definitions for this field correspond directly with the bit definitions for the Multicast Filter Settings field defined for the Shared IP Global Multicast Filtering command in [Table 10-63](#). A bit set to 1 indicates that the filter associated with that bit position is enabled; otherwise, the filter is not enabled.

10.6.3.14.10 Set Binding Command (Intel Command 0x25, Index = 0x9)



The *Set Binding* command is used by the Management Controller to define which combination of MAC addresses, VLAN tags, IP addresses and TCP/UDP ports should be forwarded to the MC. The format of a *Set Binding* command packet is specified in [Table 10-72](#).

Once a Set Binding command is activated, all the previous forwarding rules based on the *Set MAC Address* or *Set VLAN filter* commands are disabled and should be re-enabled using the *Set Binding* command. Subsequent *Set MAC Address* or *Set VLAN filter* commands will be used to enable MAC or VLAN addresses for the *Set Binding* command but will not impact the forwarding rules.

Table 10-72. Set Binding Command Packet Format

| Bytes | Bits | | | |
|---------|-------------------------------|--------|---------------|-------------------|
| | 31..24 | 23..16 | 15..08 | 07..00 |
| 00..15 | NC-SI Header | | | |
| 16...19 | Manufacturer ID (Intel 0x157) | | | |
| 20..23 | 0x25 | 0x9 | Binding Index | Set Binding Flags |
| 24..27 | Enabled MAC addresses | | | |
| 28..31 | Enabled VLAN | | | |
| 32..35 | Enabled IP addresses | | | |
| 36..39 | Enabled Ports (MSB) | | | |
| 40..43 | Enabled Ports (LSB) | | | |
| 44..47 | Checksum | | | |

[Table 10-73](#) describes the fields in the *Set Binding Flags* field.

Table 10-73. Set Binding Flags Field Descriptions

| Bit Position | Field Description | Value Description |
|--------------|-------------------------------|---|
| 0 | Enable | 0 = Disable the binding 1 = Enable the binding |
| 1 | Exclusive to MC | 0 = Traffic matching this filter is sent to MC and to host 1 = Traffic matching this filter is sent to MC only. |
| 2 | Apply to network ¹ | 0 = Do not compare traffic received from the network when checking this binding. 1 = Compare traffic received from the network when checking this binding. |
| 3 | Apply to host | 0 = Do not compare traffic received from the host when checking this binding. 1 = Compare traffic received from the host when checking this binding. |
| 7:4 | Reserved | Reserved |

1. At least one of the Apply to network/host flags should be set for enabled bindings. Clearing both of them is equivalent to disabling the filter.

- **Binding Index:** Indicates which binding is configured by the command. The value should be smaller than the number of supported bindings as reported in the Get Shared IP Capabilities Response in the *Number of Bindings* field.
- **Enabled MAC addresses:** The MAC addresses participating in this binding. The numbering of the MAC addresses is similar to the one used in the MAC Address Flags in the Get Parameters Response. Namely, MAC addresses are returned in the following order: unicast filtered addresses first, followed by multicast filtered addresses, followed by mixed filtered addresses, with the number of each corresponding to those reported through the Get Capabilities command. A MAC



address can be added to a binding only if previously enabled through a *Set MAC Address* NC-SI command

- Enabled VLAN: The VLAN IDs participating in this binding. The numbering of the VLAN IDs. A VLAN tag can be added to a binding only if previously enabled through a *Set VLAN Filter* NC-SI command.
- Enabled IP addresses: The IP addresses participating in this binding. The numbering of the IP addresses is similar to the one used in the Get Shared IP Parameters Response (Section 10.6.3.14.9). An IP address can be added to a binding only if previously enabled through a *Set IP Address* Intel OEM command.
- Enabled Ports: The ports participating in this binding. A Port can be added to a binding only if previously enabled through a *Set Port* Intel OEM command.

10.6.3.14.10.1 Set Binding Address Response

The Network Controller shall, in the absence of a checksum error or identifier mismatch, always accept the *Set Binding* command and send a response, using the format specified in Table 10-74.

Table 10-74. Set Binding Response Packet Format

| Bytes | Bits | | | |
|--------|-------------------------------|--------|-------------|--------|
| | 31..24 | 23..16 | 15..08 | 07..00 |
| 00..15 | NC-SI Header | | | |
| 16..19 | Response Code | | Reason Code | |
| 20..23 | Manufacturer ID (Intel 0x157) | | | |
| 24..27 | 0x25 | 0x9 | Reserved | |
| 28..31 | Checksum | | | |

10.6.3.14.11 Get Binding Command (Intel Command 0x25, Index = 0xA)

A Management Controller uses the *Get Binding* command to determine the current programming of one of the bindings in a Network Controller. The format of a *Get Binding* command packet is specified in Table 10-75.

Table 10-75. Get Binding Command Packet Format

| Bytes | Bits | | | |
|--------|-------------------------------|--------|----------------|----------|
| | 31..24 | 23..16 | 15..08 | 07..00 |
| 00..15 | NC-SI Header | | | |
| 16..19 | Manufacturer ID (Intel 0x157) | | | |
| 20..23 | 0x25 | 0xA | Binding Number | Reserved |
| 24..27 | Checksum | | | |

- Binding Index: Indicates which binding is requested by the command. The value should be smaller than the number of supported bindings as reported in the Get Shared IP Capabilities Response in the *Number of Bindings* field.



10.6.3.14.11.1 Get Binding Response

The Network Controller shall, in the absence of a checksum error or identifier mismatch, always accept the *Get Binding* command and send a response, using the format specified in [Table 10-76](#).

Table 10-76. Get Binding Response Packet Format

| Bytes | Bits | | | |
|--------|-------------------------------|--------|----------------|-------------------|
| | 31..24 | 23..16 | 15..08 | 07..00 |
| 00..15 | NC-SI Header | | | |
| 16..19 | Response Code | | Reason Code | |
| 20..23 | Manufacturer ID (Intel 0x157) | | | |
| 24..27 | 0x25 | 0xA | Binding Number | Get Binding flags |
| 28..31 | Enabled MAC addresses | | | |
| 32..35 | Enabled VLAN | | | |
| 36..39 | Enabled IP addresses | | | |
| 40..43 | Enabled Ports (MSB) | | | |
| 44..47 | Enabled Ports (LSB) | | | |
| 48..51 | Checksum | | | |

The fields in the Get Binding response are equivalent to their counterparts in the Set Binding Command.

10.6.3.14.12 Set Shared Mode Command (Intel Command 0x25, Index = 0xB)

A Management Controller uses the *Set Shared Mode* command to indicate to the NIC it intends to work in shared MAC/IP mode or in dedicated MAC mode.

If used, this command should be sent before any of the regular or OEM NC-SI commands used to set forwarding filters. When this command is received, all the filters are cleared. This command is only needed when the Intel OEM commands with command ID 0x25 are used to configure the shared behavior. If other commands are used, the user should take care of the right configuration of the filters.

When Shared mode is activated, the *Set MAC* and *Set VLAN* NC-SI commands will not impact the receive filtering until a Set Binding, or Enable Unicast Infrastructure Filter command is received.

Any other command from this section (11.6.3.16) received before shared mode is set are failed with a Not is Shared Mode (0x5092) reason.

The format of a *Set Shared Mode* command packet is specified in [Table 10-77](#).

Table 10-77. Set Shared Mode Command Packet Format

| Bytes | Bits | | | |
|--------|-------------------------------|--------|-------------|----------|
| | 31..24 | 23..16 | 15..08 | 07..00 |
| 00..15 | NC-SI Header | | | |
| 16..19 | Manufacturer ID (Intel 0x157) | | | |
| 20..23 | 0x25 | 0xB | Shared Mode | Reserved |
| 24..27 | Checksum | | | |

- Shared Mode:



- 0x0: Dedicated MAC mode
- 0x1: Shared MAC/IP mode.

10.6.3.14.12.1 Set Shared Mode Response

The Network Controller shall, in the absence of a checksum error or identifier mismatch, always accept the *Set Shared Mode* command and send a response, using the format specified in Table 10-78.

Table 10-78. Set Shared Mode Response Packet Format

| | Bits | | | |
|--------|-------------------------------|--------|-------------|----------|
| Bytes | 31..24 | 23..16 | 15..08 | 07..00 |
| 00..15 | NC-SI Header | | | |
| 16..19 | Response Code | | Reason Code | |
| 20..23 | Manufacturer ID (Intel 0x157) | | | |
| 24..27 | 0x25 | 0xB | Shared Mode | Reserved |
| 48..51 | Checksum | | | |

10.6.3.15 OS2BMC Configuration

These commands control enabling of the OS2BMC flow.

10.6.3.15.1 Enable OS2BMC Flow Command (Intel Command 0x40, Index 0x1)

| | Bits | | | |
|---------|-------------------------------|-------|-------|-------|
| Bytes | 31:24 | 23:16 | 15:08 | 07:00 |
| 00...15 | NC-SI Header | | | |
| 16...19 | Manufacturer ID (Intel 0x157) | | | |
| 20...21 | 0x40 | 0x01 | | |

10.6.3.15.2 Enable OS2BMC Flow Response (Intel Command 0x40, Index 0x1)

| | Bits | | | |
|---------|-------------------------------|-------|-------------|-------|
| Bytes | 31:24 | 23:16 | 15:08 | 07:00 |
| 00...15 | NC-SI Header | | | |
| 16...19 | Response Code | | Reason Code | |
| 20...23 | Manufacturer ID (Intel 0x157) | | | |
| 24...25 | 0x40 | 0x01 | | |

10.6.3.15.3 Enable Network to MC Flow Command (Intel Command 0x40, Index 0x2)



| | Bits | | | |
|---------|-------------------------------|-------|-------|-------|
| Bytes | 31:24 | 23:16 | 15:08 | 07:00 |
| 00...15 | NC-SI Header | | | |
| 16...19 | Manufacturer ID (Intel 0x157) | | | |
| 20...21 | 0x40 | 0x02 | | |

10.6.3.15.4 Enable Network to MC Flow Response (Intel Command 0x40, Index 0x2)

| | Bits | | | |
|---------|-------------------------------|-------|-------------|-------|
| Bytes | 31:24 | 23:16 | 15:08 | 07:00 |
| 00...15 | NC-SI Header | | | |
| 16...19 | Response Code | | Reason Code | |
| 20...23 | Manufacturer ID (Intel 0x157) | | | |
| 24...25 | 0x40 | 0x02 | | |

10.6.3.15.5 Enable Both Host and Network to MC Flows Command (Intel Command 0x40, Index 0x3)

| | Bits | | | |
|---------|-------------------------------|-------|-------|-------|
| Bytes | 31:24 | 23:16 | 15:08 | 07:00 |
| 00...15 | NC-SI Header | | | |
| 16...19 | Manufacturer ID (Intel 0x157) | | | |
| 20...21 | 0x40 | 0x03 | | |

10.6.3.15.6 Enable Both Host and Network to MC Flows Response (Intel Command 0x40, Index 0x3)

| | Bits | | | |
|---------|-------------------------------|-------|-------------|-------|
| Bytes | 31:24 | 23:16 | 15:08 | 07:00 |
| 00...15 | NC-SI Header | | | |
| 16...19 | Response Code | | Reason Code | |
| 20...23 | Manufacturer ID (Intel 0x157) | | | |
| 24...25 | 0x40 | 0x03 | | |

10.6.3.15.7 Get OS2BMC Parameters Command (Intel Command 0x41)



| | Bits | | | |
|---------|-------------------------------|-------|-------|-------|
| Bytes | 31:24 | 23:16 | 15:08 | 07:00 |
| 00...15 | NC-SI Header | | | |
| 16...19 | Manufacturer ID (Intel 0x157) | | | |
| 20 | 0x41 | | | |

10.6.3.15.8 Get OS2BMC parameters Response (Intel Command 0x41)

| | Bits | | | |
|---------|-------------------------------|--------|-------------|-------|
| Bytes | 31:24 | 23:16 | 15:08 | 07:00 |
| 00...15 | NC-SI Header | | | |
| 16...19 | Response Code | | Reason Code | |
| 20...23 | Manufacturer ID (Intel 0x157) | | | |
| 24...27 | 0x41 | Status | | |

Where the Status byte partition is as follow:

Table 10-79. Status Byte Description

| Bits | Content |
|------|--|
| 1:0 | Reserved |
| 2 | Network to MC status 0 = network 2 MC flow is disabled 1 = network 2 MC flow is enabled. |
| 3 | OS2BMC status 0 = OS 2 MC flow is disabled 1 = OS 2 MC flow is enabled. |
| 7:4 | Reserved. |

10.6.3.16 Get Controller information Command (Intel Command 0x48, Index 0x1)

This command gather the controller identification information and return it back to the MC.

| | Bits | | | |
|---------|-------------------------------|-------|-------|-------|
| Bytes | 31:24 | 23:16 | 15:08 | 07:00 |
| 00...15 | NC-SI Header | | | |
| 16...19 | Manufacturer ID (Intel 0x157) | | | |
| 20...23 | 0x48 | 0x1 | | |



10.6.3.16.1 Get Controller Information Response (Intel Command 0x48, Index 0x1)

| Bytes | Bits | | | |
|---------|-------------------------------|-------------------------------|-----------------------------|-----------------------------|
| | 31:24 | 23:16 | 15:08 | 07:00 |
| 00...15 | NC-SI Header | | | |
| 16...19 | Response Code | | Reason Code | |
| 20...23 | Manufacturer ID (Intel 0x157) | | | |
| 24...27 | 0x48 | 0x01 | Reserved | Number of Inventory entries |
| 28...31 | Controller Info Item 1 ID | Controller Info Item 1 length | Controller Info Item 1 Data | |
| ... | | | | |
| ... | Controller Info Item 2 ID | Controller Info Item 2 length | Controller Info Item 2 Data | |
| ... | | | | |
| ... | Controller Info Item n ID | Controller Info Item n length | Controller Info Item n Data | |
| ... | | | | |

Where the possible information items are as described below. Note that not all the inventory items would be present in all the implementations of this command.

Table 10-80. Controller Info Items

| ID | Length (in bytes) | Data | Notes |
|------|-------------------|---------------------------------|---|
| 0x00 | 3 | Device ID (2 bytes) + RevID | This is the HW default value, not any value programmed via Flash. |
| 0x0B | 2 | Flash Image Revision | |
| 0x0C | 4 | Internal Firmware ROM version | |
| 0x0D | 4 | Internal Firmware Flash version | |
| 0x0E | 2 | PXE Firmware version | MajorVersion.MinorVersion.Build |
| 0x0F | 2 | iSCSI Firmware version | |
| 0x10 | 2 | uEFI Firmware version | |

10.6.4 Basic NC-SI Workflows

10.6.4.1 Package States

A NC package can be in one of the following two states:



1. Selected — The package is allowed to use the NC-SI lines, meaning the NC package might send data to the BMC.
2. De-selected — The package is not allowed to use the NC-SI lines, meaning, the NC package cannot send data to the BMC.

The BMC must select no more than one NC package at any given time. Package selection can be accomplished in one of two methods:

1. Select Package command — This command explicitly selects the NC package.
2. Any other command targeted to a channel in the package also implicitly selects that NC package.

Package de-select can be accomplished only by issuing the De-Select Package command. The BMC should always issue the Select Package command as the first command to the package before issuing channel-specific commands. For further details on package selection, refer to the NC-SI specification.

10.6.4.2 Channel States

A NC channel can be in one of the following states:

1. Initial State — The channel only accepts the Clear Initial State command (the package also accepts the Select Package and De-Select Package commands).
2. Active state — This is the normal operational mode. All commands are accepted.

For normal operation mode, the BMC should always send the Clear Initial State command as the first command to the channel.

10.6.4.3 Discovery

After interface power-up, the BMC should perform a discovery process to discover the NCs that are connected to it. This process should include an algorithm similar to the following:

1. For package_id=0x0 to MAX_PACKAGE_ID
 - a. Issue Select Package command to package ID package_id
 - b. If a response was received then

For internal_channel_id = 0x0 to MAX_INTERNAL_CHANNEL_ID

Issue a Clear Initial State command for package_id | internal_channel_id (the combination of package_id and internal_channel_id to create the channel ID).

If a response was received then

Consider internal_channel_id as a valid channel for the package_id package

The BMC can now optionally discover channel capabilities and version ID for the channel

Else (If not a response was not received, then issue a Clear Initial State command three times.

Issue a De-Select Package command to the package (and continue to the next package).

- c. Else, if a response was not received, issue a Select Packet command three times.

10.6.4.4 Configurations

This section details different configurations that should be performed by the BMC.



The BMC should not consider any configuration valid unless the BMC has explicitly configured it after every reset (entry into the initial state). As a result, the BMC should re-configure everything at power-up and channel/package resets.

10.6.4.4.1 NC Capabilities Advertisement

NC-SI defines the Get Capabilities command. It is recommended that the BMC use this command and verify that the capabilities match its requirements before performing any configurations. For example, the BMC should verify that the NC supports a specific AEN before enabling it.

10.6.4.4.2 Receive Filtering

In order to receive traffic, the BMC must configure the NC with receive filtering rules. These rules are checked on every packet received on the LAN interface (such as from the network). Only if the rules matched, will the packet be forwarded to the BMC.

10.6.4.4.2.1 MAC Address Filtering

NC-SI defines three types of MAC address filters: unicast, multicast and broadcast. To be received (not dropped) a packet must match at least one of these filters. The BMC should set one MAC address using the Set MAC Address command and enable broadcast and global multicast filtering.

Unicast/Exact Match (Set MAC Address Command)

This filter filters on specific 48-bit MAC addresses. The BMC must configure this filter with a dedicated MAC address.

The NC might expose three types of unicast/exact match filters (such as MAC filters that match on the entire 48 bits of the MAC address): unicast, multicast and mixed. The I210 exposes two mixed filters, which might be used both for unicast and multicast filtering. The BMC should use one mixed filter for its MAC address.

Note: The MNGONLY bit matching the unicast filter (bit 5) is set by the first set MAC address command received from the BMC. It will not be cleared by further commands. If the MAC address is shared with the host and filter reductions are applied, the MNGONLY bit of the unicast filter should be cleared after each Set MAC address command using the *Set Intel Filters — Manageability Only Command* (Section 10.6.3.5.3).

Refer to NC-SI specification — Set MAC Address for further details.

Broadcast (Enable/Disable Broadcast Filter Command)

NC-SI defines a broadcast filtering mechanism which has the following states:

1. Enabled — All broadcast traffic is blocked (not forwarded) to the BMC, except for specific filters (such as ARP request, DHCP, and NetBIOS).
2. Disabled — All broadcast traffic is forwarded to the BMC, with no exceptions.

Refer to NC-SI specification Enable/Disable Broadcast Filter command.

Global Multicast (Enable/Disable Global Multicast Filter)

NC-SI defines a multicast filtering mechanism which has the following states:

1. Enabled — All multicast traffic is blocked (not forwarded) to the BMC.
2. Disabled — All multicast traffic is forwarded to the BMC, with no exceptions.



The recommended operational mode is Enabled, with specific filters set. Not all multicast filtering modes are necessarily supported. Refer to NC-SI specification Enable/Disable Global Multicast Filter command for further details.

10.6.4.4.3 VLAN

NC-SI defines the following VLAN work modes:

| Mode | Command and Name | Descriptions |
|------------|---|---|
| Disabled | Disable VLAN command | In this mode, no VLAN frames are received. |
| Enabled #1 | Enable VLAN command with VLAN only | In this mode, only packets that matched a VLAN filter are forwarded to the BMC. |
| Enabled #2 | Enable VLAN command with VLAN only + non-VLAN | In this mode, packets from mode 1 + non-VLAN packets are forwarded. |
| Enabled #3 | Enable VLAN command with Any-VLAN + non-VLAN | In this mode, packets are forwarded regardless of their VLAN state. |

Refer to NC-SI specification — Enable VLAN command for further details.

The I210 only supports modes #1 and #3. Recommendation:

1. Modes:
 - a. If VLAN is not required — Use the disabled mode.
 - b. If VLAN is required — Use the enabled #1 mode.
2. If enabling VLAN, The BMC should also set the active VLAN ID filters using the NC-SI Set VLAN Filter command prior to setting the VLAN mode.

10.6.4.5 Pass-Through Traffic States

The BMC has independent, separate controls for enablement states of the receive (from LAN) and of the transmit (to LAN) pass-through paths.

10.6.4.6 Channel Enable

This mode controls the state of the receive path:

1. Disabled — The channel does not pass any traffic from the network to the BMC.
2. Enabled — The channel passes any traffic from the network (that matched the configured filters) to the BMC.

This state also affects AENs: AENs is only sent in the enabled state.

The default state is disabled.

It is recommended that the BMC complete all filtering configuration before enabling the channel.

10.6.4.7 Network Transmit Enable

This mode controls the state of the transmit path:

1. Disabled — the channel does not pass any traffic from the BMC to the network.



2. Enabled — the channel passes any traffic from the BMC (that matched the source MAC address filters) to the network.

The default state is disabled.

The NC filters pass-through packets according to their source MAC address. The NC tries to match that source MAC address to one of the MAC addresses configured by the Set MAC Address command. As a result, the BMC should enable network transmit only after configuring the MAC address.

It is recommended that the BMC complete all filtering configuration (especially MAC addresses) before enabling the network transmit.

This feature can be used for fail-over scenarios. See [Section 10.6.8.3](#).

10.6.5 Asynchronous Event Notifications

The asynchronous event notifications are unsolicited messages sent from the NC to the BMC to report status changes (such as link change, operating system state change, etc.).

Recommendations:

- The BMC firmware designer should use AENs. To do so, the designer must take into account the possibility that a NC-SI response frame (such as a frame with the NC-SI EtherType), arrives out-of-context (not immediately after a command, but rather after an out-of-context AEN).
- To enable AENs, the BMC should first query which AENs are supported, using the Get Capabilities command, then enable desired AEN(s) using the Enable AEN command, and only then enable the channel using the Enable Channel command.

10.6.6 Querying Active Parameters

The BMC can use the Get Parameters command to query the current status of the operational parameters.

10.6.7 Resets

In NC-SI there are two types of resets defined:

1. Synchronous entry into the initial state.
2. Asynchronous entry into the initial state.

Recommendations:

- It is very important that the BMC firmware designer keep in mind that following any type of reset, all configurations are considered as lost and thus the BMC must re-configure everything.
- As an asynchronous entry into the initial state might not be reported and/or explicitly noticed, the BMC should periodically poll the NC with NC-SI commands (such as Get Version ID, Get Parameters, etc.) to verify that the channel is not in the initial state. Should the NC channel respond to the command with a Clear Initial State Command Expected reason code, the BMC should consider the channel (and most probably the entire NC package) as if it underwent a (possibly unexpected) reset event. Thus, the BMC should re-configure the NC. See the NC-SI specification section on Detecting Pass-through Traffic Interruption.
- The Intel recommended polling interval is 2-3 seconds.

For exact details on the resets, refer to NC-SI specification.



10.6.8 Advanced Workflows

10.6.8.1 Multi-NC Arbitration

As described in [Section 10.6.1.2](#), in a multi-NC environment, there is a need to arbitrate the NC-SI lines.

[Figure 10-7](#) shows the system topology of such an environment.

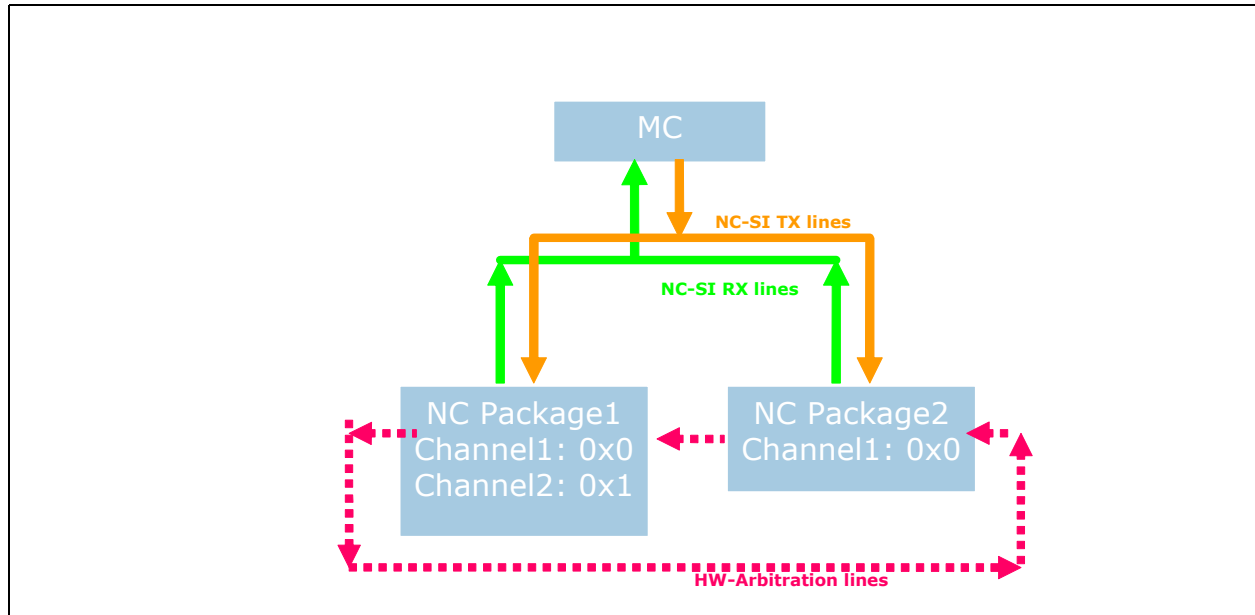


Figure 10-7. Multi-NC Environment

See [Figure 10-7](#). The NC-SI Rx lines are shared between the NCs. To enable sharing of the NC-SI Rx lines, NC-SI has defined an arbitration scheme.

The arbitration scheme mandates that only one NC package can use the NC-SI Rx lines at any given time. The NC package that is allowed to use these lines is defined as selected. All the other NC packages are de-selected.

NC-SI has defined two mechanisms for the arbitration scheme:

1. Package selection by the BMC. In this mechanism, the BMC is responsible for arbitrating between the packages by issuing NC-SI commands (Select/De-Select Package). The BMC is responsible for having only one package selected at any given time.
2. Hardware arbitration. In this mechanism, two additional pins on each NC package are used to synchronize the NC package. Each NC package has an ARB_IN and ARB_OUT line and these lines are used to transfer Tokens. A NC package that has a token is considered selected.

Note: Hardware arbitration is enabled by the *NC-SI ARB Enable* Flash bit (See [Section 6.2.22](#)) and the *NC-SI HW arbitration support* Flash bit (see [Section 6.8.5.7](#)).

For details on Hardware arbitration, refer to the NC-SI specification.



10.6.8.2 Package Selection Sequence Example

Following is an example work flow for a BMC and occurs after the discovery, initialization, and configuration.

Assuming the BMC needs to share the NC-SI bus between packages, the BMC should:

1. Define a time-slot for each device.
2. Discover, initialize, and configure all the NC packages and channels.
3. Issue a De-Select Package command to all the channels.
4. Set active_package to 0x0 (or the lowest existing package ID).
5. At the beginning of each time slot the BMC should:
 - a. Issue a De-Select Package to the active_package. The BMC must then wait for a response and then an additional timeout for the package to become de-selected (200 μ s). See the NC-SI specification table 10 — parameter NC Deselect to Hi-Z Interval.
 - b. Find the next available package (typically active_package = active_package + 1).
 - c. Issue a Select Package command to active_package.

10.6.8.3 Multiple Channels (Fail-Over)

In order to support a fail-over scenario, it is required from the BMC to operate two or more channels. These channels might or might not be in the same package.

The key element of a fault-tolerance fail-over scenario is having two (or more) channels identifying to the switch with the same MAC address, but only one of them being active at any given time (such as switching the MAC address between channels). To accomplish this, NC-SI provides the following commands:

1. Enable Network Tx command — This command enables shutting off the network transmit path of a specific channel. This enables the BMC to configure all the participating channels with the same MAC address but only enable one of them.
2. Link Status Change AEN or Get Link Status command.

10.6.8.3.1 Fail-Over Algorithm Example

The following is a sample workflow for a fail-over scenario for multiple the I210 GbE controllers (multiple packages and one channel):

1. BMC initializes and configures all channels after power-up. However, the BMC uses the same MAC address for all of the channels.
2. The BMC queries the link status of all the participating channels. The BMC should continuously monitor the link status of these channels. This can be accomplished by listening to AENs (if used) and/or periodically polling using the Get Link Status command.
3. The BMC then only enables channel 0 for network transmission.
4. The BMC then issues a gratuitous ARP (or any other packet with its source MAC address) to the network. This packet informs the switch that this specific MAC address is registered to channel 0's specific LAN port.
5. The BMC begins normal workflow.
6. Should the BMC receive an indication (AEN or polling) that the link status for the active channel (channel 0) has changed, the BMC should:
 - a. Disable channel0 for network transmission.



- b. Check if a different channel is available (link is up).
- c. If found:
 - Enable network TX for that specific channel.
 - Issue a gratuitous ARP (or any other packet with its source MAC address) to the network. This packet informs the switch that this specific MAC address is registered to channel 0's specific LAN port.
 - Resume normal workflow.
 - If not found, report the error and continue polling until a valid channel is found.

The above algorithm can be generalized such that the start-up and normal workflow are the same. In addition, the BMC might need to use a specific channel (such as channel 0). In this case, the BMC should switch the network transmit to that specific channel as soon as that channel becomes valid (link is up).

Recommendations:

- Wait for a link-down-tolerance timeout before a channel is considered invalid. For example, a link re-negotiation might take a few seconds (normally 2 to 3 or might be up to 9). Thus, the link must be re-established after a short time.
- Typically, this timeout is recommended to be three seconds.
- Even when enabling and using AENs, periodically poll the link status, as dropped AENs might not be detected.

10.6.8.4 Statistics

The BMC might use the statistics commands as defined in NC-SI. These counters are meant mostly for debug purposes and are not all supported.

The statistics are divided into three commands:

1. Controller statistics — These are statistics on the network interface (to the Host operating system and pass through traffic). See the NC-SI specification for details.
2. NC-SI statistics — These are statistics on the NC-SI control frames (such as commands, responses, AENs, etc.). See the NC-SI specification for details.
3. NC-SI pass-through statistics — These are statistics on the NC-SI pass-through frames. See the NC-SI specification for details.

10.6.9 External Link Control

The MC can use the NC-SI Set Link command to control the external interface link settings. This command enables the MC to set the auto-negotiation, link speed, duplex, and other parameters.

This command is only available when the Host operating system is not present. Indicating the Host operating system status can be obtained via the Get Link Status command and/or Host OS Status Change AEN command.

Recommendation:

- Unless explicitly needed, it is not recommended to use this feature. The NC-SI Set Link command does not expose all the possible link settings and/or features. This might cause issues under different scenarios. Even if you decided to use this feature, use it only if the link is down (trust the I210 until proven otherwise).



- It is recommended that the MC first query the link status using the Get Link Status command. The MC should then use this data as a basis and change only the needed parameters when issuing the Set Link command.

For details, refer to the NC-SI specification.

10.6.9.1 Set Link While LAN PCIe Functionality is Disabled

In cases where the I210 is used solely for manageability and its LAN PCIe function is disabled, using the NC-SI Set Link command while advertising multiple speeds and enabling auto-negotiation results in the lowest possible speed chosen.

To enable link of higher a speed, the MC should not advertise speeds that are below the desired link speed, as the lowest advertised link speed is chosen.

When the I210 is only used for manageability and the link speed advertisement is configured by the MC, changes in the power state of the LAN device is not affected and the link speed is not re-negotiated by the LAN device.

10.7 MCTP

10.7.1 MCTP Overview

The Management Component Transport Protocol (MCTP) defines a communication model intended to facilitate communication between:

- Management controllers and other management controllers
- Management controllers and management devices

The communication model includes a message format, transport description, message exchange patterns, and configuration and initialization messages.

The basic MCTP specification is described in DMTF's DSP0236 document.

MCTP is designed so that it can potentially be used on many bus types. The protocol is intended to be used for intercommunication between elements of platform management subsystems used in computer systems, and is suitable for use in mobile, desktop, workstation, and server platforms.

Currently, specifications exists for MCTP over PCI Express (DMTF's DSP0238) and over SMBus (DMTF's DSP0237). A specification for MCTP over USB is also planned.

Management controllers such as a baseboard management controller (MC) can use this protocol for communication between one another, as well as for accessing management devices within the platform.

10.7.1.1 NC-SI over MCTP

MCTP is a transport layer protocol that do not include the functionality required to control the pass through traffic required for MC connection to the network. This functionality is provided by encapsulating NC-SI traffic as defined in DMTF's DSP0222 document.

The details of NC_SI over MCTP protocol are defined in the NC-SI Over MCTP Specification.

Details of the NC-SI over MCTP can be found in [Section 10.7.5](#).



The NC-SI over MCTP spec defines two types of MCTP message types: NC-SI (0x2) and Ethernet (0x3). The I210 supports both messages. When used only for control, then only the NC-SI (0x2) message type is supported.

In addition to the above message types supported by the I210, the PCIe based VDM message type is also supported over PCIe to support ACL commands.

10.7.1.2 MCTP Usage Model

The I210 supports NC-SI over MCTP protocol over the PCI Express and SMBus busses. The I210 can connect through MCTP to a MC or the ME engine in the chipset as described in [Figure 10-8](#).

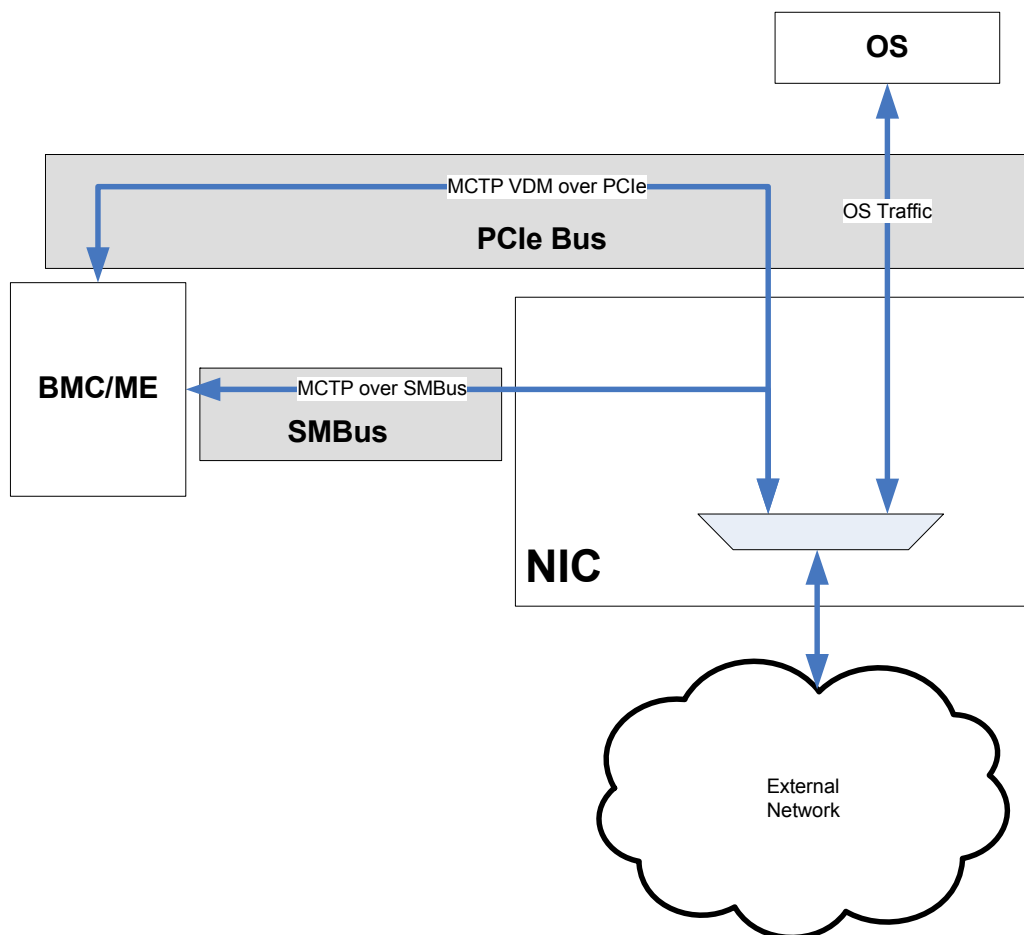


Figure 10-8. MCTP Connections of the I210

10.7.2 NC-SI to MCTP Mapping

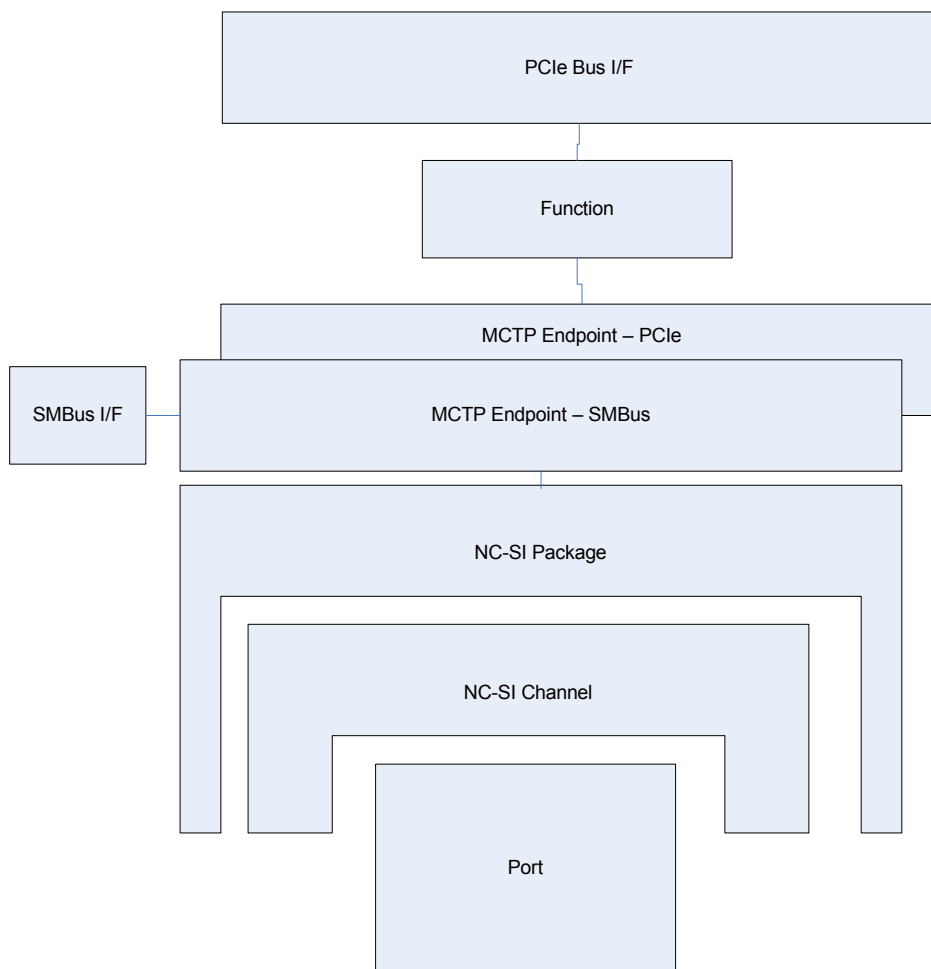
The I210 LAN port (mapped as an NC-SI channel) is mapped to a single MCTP endpoint on SMBus and to the same endpoint over PCIe.

Both endpoints (SMBus and PCIe) may be active concurrently. However, pass through traffic may be transferred only through one of them. If the PCIe endpoint is active, it will be used for pass through traffic, otherwise, the SMBus endpoint will be used. [Section 10.7.2.2](#) describes the transition between the two busses.

For each channel (SMBus or PCIe), the I210 should expect MCTP commands from two sources: the bus owner and the MC. In addition, it should expect pass through traffic through one interface only. Thus it should be able to process up to five interleaved commands/data. Each source should not interleave transactions it sends to the I210.

The topology used for MCTP connection is described in [Figure 10-9](#).

Figure 10-9. MCTP Endpoints Topology



10.7.2.1 Detection of MC EID and Physical Address

In order to allow transactions between the MC and the NIC, the bus physical address (SMBus or PCIe) and the EID of the partner needs to be discovered. The NICs do not try to discover the MC and assume the MC will initiate the connection. If the NIC is in NC-SI initial state, then the EID and the physical



address of the MC are extracted from the *Clear Initial State* command parameters or any other NC-SI command received later with a channel ID of the I210. Subsequent pass through traffic will be received from or sent to this address only.

If the EID or the physical address of the NIC changes, it indicates the changes to bus owner so that the routing tables can be updated. There is no attempt to directly send an indication to the MC about the change.

See more details in next section.

10.7.2.2 Bus Transition

The following section defines the transition flow between PCIe and SMBus as the bus on which MCTP flows. [Figure 10-10](#) describes the flow to transition between PCIe and SMBus. The following parameters are used to define the flow:

- NIC EID on PCIe
- NIC EID on SMBus
- NIC PCIe Target ID
- Bus Owner EID on PCIe
- Bus Owner EID on SMBus
- Bus Owner PCIe Target ID
- Bus Owner SMBus address
- MC EID on PCIe
- MC EID on SMBus
- MC PCIe Target ID
- MC SMBus address
- NIC SMBus address

All these variables are initialized to zero at power on apart from the SMBus address of the endpoint (NIC) which may be initialized from Flash value.

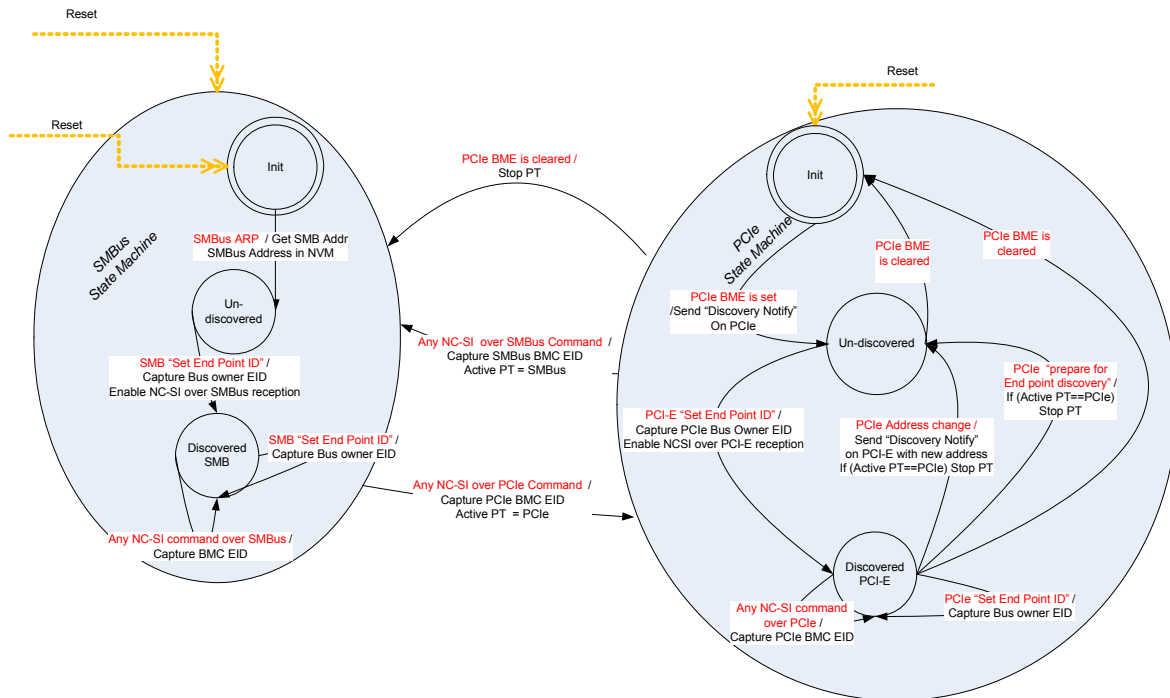


Figure 10-10. MCTP Bus Transition State Machine

10.7.2.2.1 Initial Assignment Flow

- At power on, the NIC or MC MCTP channel is connected to the SMBus, is not assigned an EID and is in “Undiscovered” state.
- The Bus Owner may preform an SMBus ARP cycle to assign an SMBus address to the NIC or to the MC. Otherwise, a fixed address may be used. It is assumed that the SMBus address does not change after init time.
- The Bus Owner performs an EID assignment using a *Set Endpoint ID* MCTP command. The NIC or the MC will capture the SMBus address of the Bus Owner from the *SMBus Source Slave address* field, the Bus Owner EID from the Source endpoint ID field and the NIC/MC EID from the Destination endpoint ID field in the MCTP header as described in section 10.3 of DSP0236. The NIC/ MC is now in “discovered” state
- The MC may detect the NIC EID using one of the two following modes:
 - Static configuration of the NIC SMBus address in the MC database and *Get Routing Table Entries* command to find the EID matching the SMBus address.
 - Get all endpoints through a *Get Routing Table Entries* command and find endpoints supporting NC-SI using the *Get Message Type Support* command for each endpoint.
- Once the NIC is found, the MC may send a *Clear Initial State* command to the NIC to start the NC-SI configuration. The NIC will capture the MC SMBus address and MC EID from any NC-SI command received.



- After the NC-SI channels are enabled, traffic may be sent using the MC and NIC addresses previously discovered.
- The MC may send a Get UUID command to get a unique identifier of the NIC that may be used later for reconnection upon topology changes.

10.7.2.2.2 SMBus to PCIe Transition

- If the NIC or the MC detects that the PCIe bus is available by detecting a setting of the *bus master enable* field in the PCIe configuration of one of the functions, it may request a transition using a *Discovery Notify* MCTP command on the PCIe bus. This command should be sent with a “Route to Root-complex” addressing as described in DSP0238 section 6.8.
- Upon reception of the *Discovery Notify* MCTP command on the PCIe bus, the Bus Owner will send a *Set Endpoint ID* MCTP command on the PCIe bus and will update the routing table. The Bus Owner may choose to wait for the *Discovery Notify* MCTP command of both the MC and the NIC to do the transition. The Bus Owner should try to keep the EID previously assigned on the SMBus as the EID on PCIe bus.
-
- Upon reception of the *Set Endpoint ID* MCTP command, the NIC will wait for an NC-SI command from the MC indicating it is ready to transition the connection to PCIe. Upon reception of such a command, the NIC will transition its pass through traffic to the PCIe bus using the newly received addresses.

Note: If the I210 can not process the command received, it will respond with a Command Failed (0x1) response code and a Package Not Ready (0x0004) reason code (Section 10.6.2.3). In this case the transition will not occur and the MC should retry the command later.

- The MC on its side, needs to discover the PCIe address of the NIC. This can be done using the *Resolve Endpoint ID* command if only the physical address changed or using the *Resolve Endpoint UUID* command also if both EID and physical address changed. It can then send an NC-SI command to the NIC to initiate the transition. The MC should not send any pass through packets from the moment it sent the first NC-SI command on the PCIe and the moment a response is received for this command.
- The transition of NC-SI traffic (pass through or commands/responses) from SMBus to PCIe should be done on a packet boundary and should not interrupt a packet fragmentation or reassembly.

Note: The MC and the NIC should keep their MCTP over SMBus connection attributes even while working over PCIe.

10.7.2.2.3 PCIe Target ID Change

The target ID of one of the endpoints may change, either due to a new enumeration of the PCIe bus or due to the disabling of one of the functions in the device. In this case the following flow should be used:

- The endpoint should send a *Discovery Notify* MCTP command on the PCIe bus using the new Requester ID.
- Upon reception of the *Discovery Notify* MCTP command with the new Requester ID, the Bus Owner will send a *Set Endpoint ID* MCTP command on the PCIe bus and will update the routing table. The Bus Owner should try to keep the EID previously assigned on the SMBus as the EID on the previous Requester ID.
- The Bus Owner will send an *Update Routing Table* command to all endpoints that may then update the parameters of their counterpart they use.
-

10.7.2.2.4 PCIe to SMBus Transition



- If the NIC or the MC detects that the PCIe bus is not available by detecting that the *bus master enable* field in the PCIe configuration of all of the available function is cleared, it will stop pass through traffic on the PCIe.
- The NIC will then wait for the MC to discover it on the SMBus. The MC then discover the NIC as described in the SMBus to PCIe transition above.
- The transition of NC-SI traffic (pass through or commands/responses) from PCIe to SMBus may done at any stage and may interrupt a packet fragmentation or reassembly, as it is assumed that such a transition occurs only when the PCIe bus is not available anymore.
- Once any NC-SI command is received by the NIC on SMBus, it will capture the MC SMBus address and EID. respond to the command and restart the pass through traffic over SMBus. Upon reception of the response, the MC may restart the pass through traffic to the NIC over SMBus.

Note: If the I210 can not process the command received, it will respond with a Command Failed (0x1) response code and a Package Not Ready (0x0004) reason code (Section 10.6.2.3). In this case the transition will not occur and the MC should retry the command later.

10.7.3 MCTP over PCIe

10.7.3.1 Message Format

The message format used for NC-SI over MCTP over PCIe is as follow:

| +0 | | | | | | | | +1 | | | | | | | | +2 | | | | | | | | +3 | | | | | | | |
|--|---|------------------------------|---|-------------------------------|---|---------|---|---------------------------------|-----------|---|---|---------------------------|---|--------------------|---|----|-----------------|---|-----------------|-----------------|-------------------------|------|----------|------------------------|---|---|---|---|---|---|---|
| 7 | 6 | 5 | 4 | 3 | 2 | 1 | 0 | 7 | 6 | 5 | 4 | 3 | 2 | 1 | 0 | 7 | 6 | 5 | 4 | 3 | 2 | 1 | 0 | 7 | 6 | 5 | 4 | 3 | 2 | 1 | 0 |
| FMT 011 | | | | Type 10r2r1r0 ¹ | | | | R | TC 000 | | | | R | Attr ₂ | | R | TH ₂ | | TD ₂ | EP ₂ | Attr [1:0] ₂ | | AT 00 | Length 00_000x_xxxx | | | | | | | |
| PCI Requester ID | | | | | | | | | | | | PCI Tag Field | | | | | | Message Code Vendor Defined = 0111_1111b | | | | | | | | | | | | | |
| R | | | | | | Pad Len | | MCTP VDM code - 0000b | | | | | | | | | | | | | | | | | | | | | | | |
| PCI Target ID (For Route by ID messages, otherwise = Reserved) | | | | | | | | | | | | Vendor ID = 0x1AB4 (DMTF) | | | | | | | | | | | | | | | | | | | |
| MCTP Reserved | | | | Header version = 1 | | | | Destination endpoint ID | | | | | | Source endpoint ID | | | | | | SOM | EOM | SEQ# | TO | Tag | | | | | | | |
| IC ₂ | | Message Type = 0x02/ 0x03 | | | | | | NC-SI Command/Pass Through data | | | | | | | | | | | | | | | | | | | | | | | |
| | | | | | | | | | | | | | | | | | | | | | | | | | | | | | | | |
| NC-SI Command/Pass Through data | | | | | | | | | | | | | | | | | | | | | | | | | | | | | | | |

1. r2r1r0 =
000b: Route to Root Complex
010b: Route by ID
011b: Broadcast from Root Complex
2. TD = 0, EP = 0, IC = 0, TH = 0, Attr[2:0] = 0 for sent packets and is ignored for received packets.





NC-SI header and payload

10.7.3.2 PCIe Discovery Process

The I210 follows the discovery process described in section 5.9 of the MCTP PCIe VDM Transport Binding Specification (DSP0238).

Upon reception of an Endpoint Discovery message (while in undiscovered stage), the I210 will expose the endpoint on the function as described above.

If the bus number of the I210 changes due to a re-enumeration of the bus, the I210 will send a Discovery Notify message to indicate to the MC that it should do a re-enumeration of the device to discover the new endpoint.

10.7.3.3 MCTP Over PCIe Special Features

The I210 supports the following optional features of MCTP when running over PCIe:

1. Rate Limiting
2. ACLs.

10.7.3.3.1 MCTP Uplink Rate Limiting

As the PCIe link can carry a traffic bandwidth much higher than what the MC can sustain, in order to avoid drop of packets, the I210 allows rate limiting of the MCTP pass through traffic. The I210 supports rate limiting between 10 Mbps and line rate. The rate limiter is defined using the following parameters:

- Max rate limit (fixed from Flash via the *MCTP rate* in the *MCTP rate limiter config 1* word).
- The max burst size (fixed from Flash via the *MCTP max credits* field in the in the *MCTP rate limiter config 2* word). To limit the max burst to one VDM, set this parameter to 5.
- Decision point (fixed from Flash via the *MCTP decision point* field in the in the *MCTP rate limiter config 2* word).

10.7.3.3.2 Service Provider MCTP Endpoint ACLs

The I210 supports a set of ACLs that allows reception of sensitive commands only from specific bus number (in the requester ID). The device and function part of the Requester ID are ignored for this purpose.

If ACLs are enabled (by clearing the *Disable ACLs* bit in *PCIe Control 1* Flash word) the following flow is used decide which packets are accepted.

Commands can be divided to 3 types:

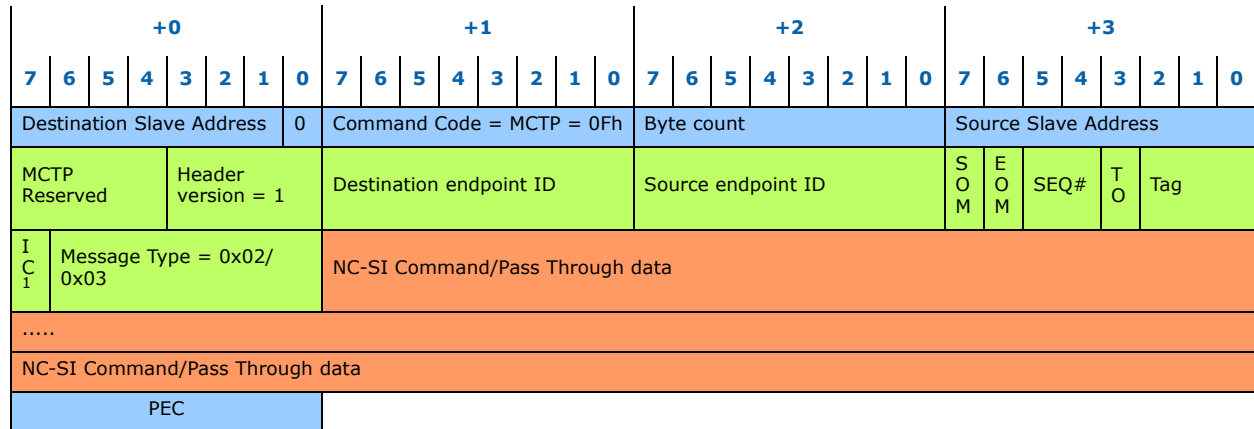
1. ACL programming commands: Such commands can be received only from the address that sent the *Prepare For Endpoint Discovery* command via broadcast routing.
2. Sensitive commands including all the NC-SI commands and pass through traffic. These commands can be received only from requesters whose bus number is set in the ACL list. If an MCTP packet is dropped, then the SPMEACL counter is increased. This counter can be read by the MCTP bus owner using the *Get ACL Violation Counters* command.
3. Regular MCTP commands are received from any requester, however, Set EID command is processed only if received from the address that sent the *Prepare For Endpoint Discovery* command via broadcast routing.



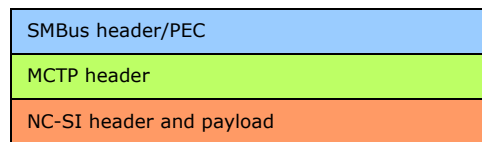
The I210 supports 4 ACL entries.

10.7.4 MCTP Over SMBus

The message format used for NC-SI over MCTP over SMBus is as follow:



1. IC = 0



10.7.4.1 SMBus Discovery Process

The I210 follows the discovery process described in section 6.5 of the MCTP SMBus/I2C Transport Binding Specification (DSP0237). It indicates support for ASF in the SMBus getUID command (see Section 10.5.8.5). It will respond to any SMBus command using the MCTP command code - so that the bus owner knows the I210 supports MCTP.

Note: MCTP commands over SMBus are received from any master address and are answered to the sender. There is no capturing of the bus owner address from any specific command.

10.7.4.2 MCTP Over SMBus Special Features

The I210 supports the following optional feature of MCTP when running over SMBus: Fairness arbitration.

10.7.4.2.1 Fairness Arbitration



When sending MCTP messages over SMBus and when fairness arbitration is enabled (see [Section 6.7.3.3](#)), the I210 should respect the fairness arbitration as defined in section 5.13 of DSP0237 when sending MCTP messages.

10.7.5 NC-SI Over MCTP

The I211 support for NC-SI over MCTP is similar to the support for NC-SI over RMII with the following exceptions:

1. A set of new NC-SI commands used to expose the NC-SI over MCTP capabilities.
2. The format of the packets is modified to account for the new transport layer as described below.

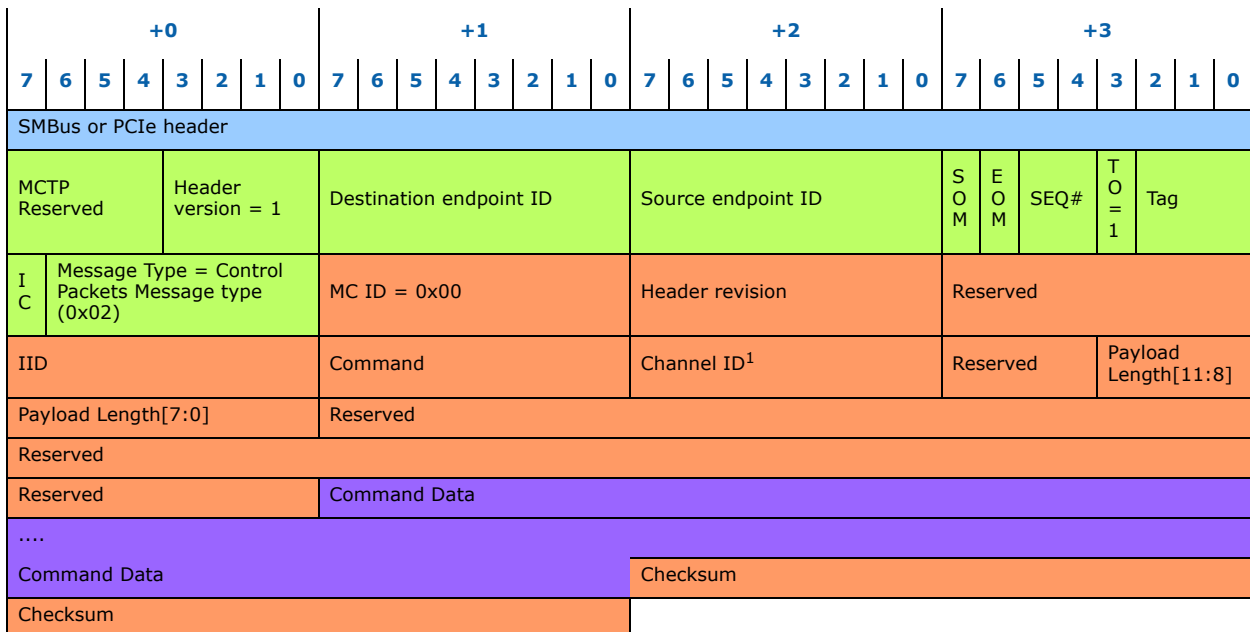
10.7.5.1 NC-SI Packets Format

NC-SI over MCTP defines two different message type for pass through and for control packets.

Packets with a message type equal to the *Control packets message type* field (default = 0x02) in the Flash are NC-SI control packets (commands, responses and AENs) and packets with a message type equal to the *Pass through packets message type* field (default = 0x03) in the Flash are NC-SI pass through packets

10.7.5.1.1 Control Packets

The format used for Control packets (Commands, Responses and AENs) is as follow:



1. The channel ID is defined as described in [Section 10.2.2.2](#)



| |
|-------------------|
| SMBus/PCIe header |
| MCTP header |
| NC-SI header |
| NC-SI Data |

Note that the MAC header and MAC FCS present when working over NC-SI are not part of the packet in MCTP mode.

10.7.5.1.2 Pass Through Packets

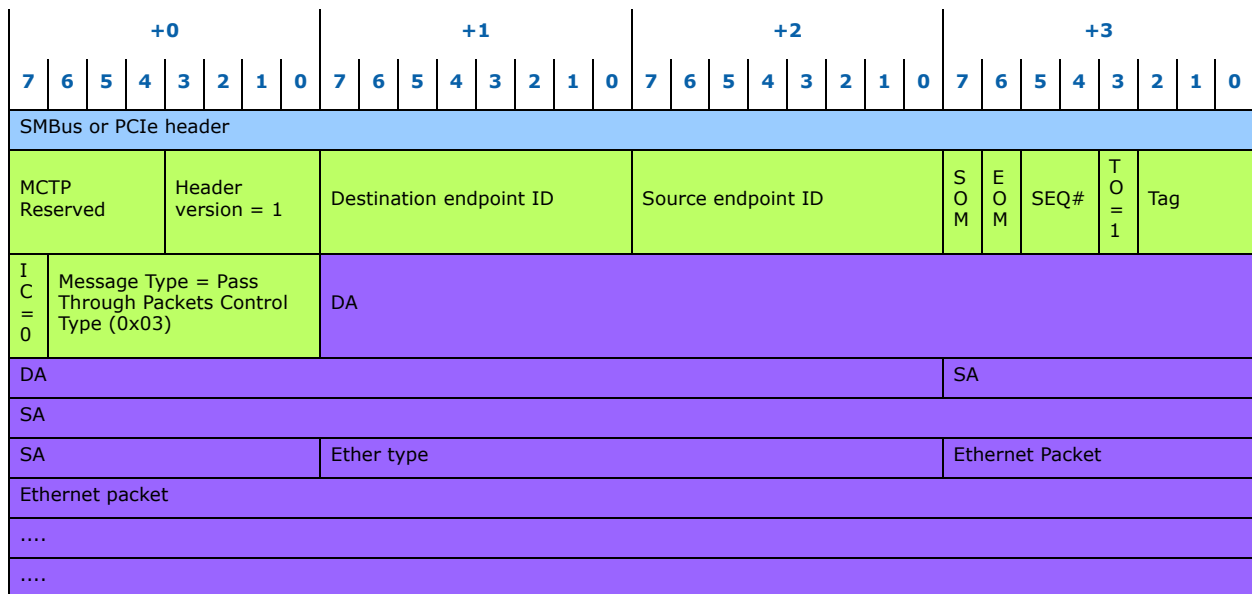
The format used for Pass through packets is as follow. This format is the same for either packets received from the network or packets received from the host.

The CRC is never included in the packet. In receive, the CRC is checked and removed by the I210 in transmit, the CRC is added by the I210.

The CRC presence depends on the IC bit value. If the IC bit is set, the packet includes a CRC. If it is cleared the packet doesn't include it.

For the I210 to MC packets, the IC bit will always be set. For MC to the I210 packets, if the IC bit is set, the I210 must check the CRC validity.

In any case, if the packet is modified by the I210, then a new CRC must be recalculated.



10.7.6 MCTP Programming

The MCTP programming model is based on:

1. A set of MCTP commands used for the discovery process and for the link management. The list of supported commands is described in section [Section 10.7.6.1](#).



2. A subset of the NC-SI commands used in the regular NC-SI interface, including all the OEM commands as described in [Section 10.6.2](#) (NC-SI programming I/F). The specific commands supported are listed in [Table 10-31](#) and [Table 10-34](#).

Note: For all MCTP commands (both native MCTP commands and NCSI over MCTP), the response uses the Msg tag received in the request with TO bit cleared.

10.7.6.1 MCTP commands support

Table 10-81 lists the MCTP commands supported by I211.

Table 10-81. MCTP commands support

| Command Code | Command Name | General Description | I211 support as Initiator | I211 support as Responder |
|--------------|------------------------------------|--|---------------------------|---------------------------|
| 0x00 | Reserved | Reserved | – | – |
| 0x01 | Set Endpoint ID | Assigns an EID to the endpoint at the given physical address. | N/A | Yes |
| 0x02 | Get Endpoint ID | Returns the EID presently assigned to an endpoint. Also returns information about what type the endpoint is and its level of use of static EIDs. See Section 10.7.6.1.2 for details. | No | Yes |
| 0x03 | Get Endpoint UUID | Retrieves a per-device unique UUID associated with the endpoint. See Section 10.7.6.1.3 for details. | No | Yes |
| 0x04 | Get MCTP Version Support | Lists which versions of the MCTP control protocol are supported on an endpoint. See Section 10.7.6.1.4 for details. | No | Yes |
| 0x05 | Get Message Type Support | Lists the message types that an endpoint supports. See Section 10.7.6.1.5 for details. | No | Yes |
| 0x06 | Get Vendor Defined Message Support | Used to discover an MCTP endpoint's vendor specific MCTP extensions and capabilities. See Section 10.7.6.1.6 for details. | No | Yes ¹ |
| 0x07 | Resolve Endpoint ID | Used to get the physical address associated with a given EID. | No | N/A |
| 0x08 | Allocate Endpoint IDs | Used by the bus owner to allocate a pool of EIDs to an MCTP bridge. | N/A | N/A |
| 0x09 | Routing Information Update | Used by the bus owner to extend or update the routing information that is maintained by an MCTP bridge. | N/A | N/A |
| 0x0A | Get Routing Table Entries | Used to request an MCTP bridge to return data corresponding to its present routing table entries. | No | N/A |
| 0x0B | Prepare for Endpoint Discovery | Used to direct endpoints to clear their "discovered" flags to enable them to respond to the Endpoint Discovery command. | N/A | Yes ¹ |
| 0x0C | Endpoint Discovery | Used to discover MCTP-capable devices on a bus, provided that another discovery mechanism is not defined for the particular physical medium. | No | Yes ¹ |
| 0x0D | Discovery Notify | Used to notify the bus owner that an MCTP device has become available on the bus. | Yes | N/A |
| 0x0E | Get Network ID | Used to get the MCTP network ID | No | No |
| 0x0F | Query Hop | Used to discover what bridges, if any, are in the path to a given target endpoint and what transmission unit sizes the bridges will pass for a given message type when routing to the target endpoint. | No | No |

1. These commands are supported only for MCTP over PCIe.



10.7.6.1.1 Error Conditions

In some cases , the I210 may not be ready to react to a received MCTP command. In these cases, a response with ERROR_NOT_READY (0x04) completion code. is returned. In this case, it is recommended to wait 300 ms before retrying the command.

10.7.6.1.2 Get Endpoint ID

The Get Endpoint ID response of I211 is described in the following table:

| Byte | Description | Value |
|------|-----------------|---|
| 1 | Completion Code | |
| 2 | Endpoint ID | 0x00 - EID not yet assigned Otherwise - returns EID assigned using Set Endpoint ID command |
| 3 | Endpoint Type | 0x00 (Dynamic EID, Simple Endpoint) |
| 4 | Medium Specific | SMBUs: 0x01 - Fairness arbitration protocol supported. PCIe: 0x00 |

10.7.6.1.3 Get Endpoint UUID

The UUID returned is calculated according to the following function:

Time Low = Read from Flash words at offset 0x9 and 0xA of Sideband Configuration Structure.

Time mid = Read from Flash word at offset 0xB of Sideband Configuration Structure

Time High and version = Read from Flash word at offset 0xC of Sideband Configuration Structure

Clock Sec and Reserved = Read from Flash word at offset 0xD of Sideband Configuration Structure

Node = Read from Flash word at offset 0xE-0x10 of Sideband Configuration Structure.

10.7.6.1.4 Get MCTP Version Support

The following table describes the returned value according to the requested message type

| Byte | Description | Message type | | | | | |
|------|----------------------------|-----------------------|--|------------------------------|---------------------|---|---|
| | | 0xFF(Base) | 0x00 (Control protocol message) | 0x02 (NC-SI over MCTP) | 0x03 (Ethernet) | 0x7E (PCIe based VDM messages) | All other or unsupported messages |
| 1 | Completion Code | 0 | | | | | 0x80 |
| 2 | Version Number entry count | 2 | 2 | 1 | 1 | 2 | 0 |
| 6:3 | Version number entry 1 | 0xF1F0FF00 (1.0) | 0xF1F0FF00 (1.0) | 0xF1F0FF00 (1.0) | 0xF1F0FF00 (1.0) | 0xF1F0FF00 (1.0) | 0 |
| 9:7 | Version number entry 2 | 0xF1F1F000 (1.1.0) | 0xF1F1F000 (1.1.0) | | | 0xF1F1F000 (1.1.0) | |

10.7.6.1.5 Get Message Type Support Command



The Get Message type support response of I211 is described in the following table:

| Byte | Description | Value |
|------|------------------------------|---|
| 1 | Completion Code | 0x00 |
| 2 | MCTP Message Type Count | 0x01/0x02/0x03 - the I210 supports up to three additional message types, depending on the mode of operation and the bus used. |
| 3:5 | List of Message Type numbers | 0x02 (NC-SI over MCTP) |
| | | 0x03 (Ethernet). If pass through is supported. |
| | | 0x7E (PCIe based VDM messages) - over PCIe only |

10.7.6.1.6 Get Vendor Defined Message Support Command

The Get Vendor Defined Message type support response of I211 is described in the following table if the Vendor ID Set Selector equals 0x00:

| Byte | Description | Value |
|------|------------------------|---|
| 1 | Completion Code | 0x00 |
| 2 | Vendor ID Set Selector | 0xFF = no more capability sets. |
| 3:5 | Vendor ID | 0x008086 (PCI id indicator + Intel vendor ID) |
| 6:7 | Version | 0x0100 (Version 1.0) |

10.7.6.1.7 Set Endpoint ID Command

The I210 supports the Set EID and Force EID operations defined in the Set Endpoint ID command. When operating over PCIe, the Set Discovered Flag operation is also supported. As endpoints in the I210 can be set only through their own interface, Set EID and Force EID are equivalent. The Reset EID operation is not relevant to the I210.

The Set Endpoint ID response of I211 is described in the following table:

| Byte | Description | Value |
|------|-------------------|--|
| 1 | Completion Code | 0x00 |
| 2 | Completion Status | [7:6] = 00 - Reserved |
| | | [5:4] = 00 - EID assignment accepted |
| | | [3:2] = 00 - Reserved |
| | | [1:0] = 00 - Device does not use an EID pool. |
| 3 | EID Setting | If the EID setting was accepted, this value will match the EID passed in the request. Otherwise, this value returns the present EID setting. |
| 4 | EID Pool Size | Always return a zero. |

10.8 Manageability Host Interface

This section details host interaction with the manageability portion of the I210. The information within this section is only available to the host driver, the MC does not have access.



10.8.1 HOST CSR Interface

The software device driver of all functions communicates with the manageability block through CSR access. The manageability is mapped to address space 0x8800 to 0x8FFF on the slave bus of the function.

10.8.2 Host Slave Command Interface to Manageability

This interface is used by the software device driver for several of the commands and for delivering various types of data in both directions (Manageability-to-Host and Host-to-Manageability).

The address space is separated into two areas:

- Direct access to the internal data RAM: The internal shared (between Firmware and Software) RAM is mapped to address space 0x8800 to 0x8EFF. Writing/reading to this address space goes directly to the RAM.
- Control register located at address 0x8F00.

10.8.2.1 Host Slave Command Interface Low Level Flow

This interface is used for the external host software to access the manageability subsystem. Host software writes a command block or read data structure directly from the data RAM. Host software controls these transactions through a slave access to the control register.

The following flow shows the process of initiating a command to the manageability block:

1. The Software clears the *FWSTS.FWRI* flag (clear by write one) to clear any previous firmware reset indications.
2. The Software device driver takes ownership of the Management Host interface using the flow described in [Section 4.6.1](#).
3. The Software device driver reads the *HOST Interface Control Register* (See [Section 8.23.2](#)) and checks that the *Enable (HICR.En)* bit is set.
4. The Software device driver writes the relevant command block into the RAM area that is mapped to addresses 0x8800-0x8EFF.
5. The Software device driver sets the *Command (HICR.C)* bit in the *HOST Interface Control Register* (See [Section 8.23.2](#)). Setting this bit causes an interrupt to the ARC (can be masked).
6. The Software checks the *FWSTS.FWRI* flag to make sure a firmware reset didn't occur during the command processing. If this bit is set, the command may have failed.
7. The Software device driver polls the *HOST Interface Control register* for the *Command (HICR.C)* bit to be cleared by Firmware.
8. When Firmware finishes with the command, it clears the *Command (HICR.C)* bit (if Firmware replies with data, it should clear the bit only after the data is placed in the shared RAM area where the software device driver can read it).

If the Software device driver reads the *HOST Interface Control register* and the *HICR.SV* bit is set to 1b, then there is a valid status of the last command in the shared RAM. If the *HICR.SV* bit is not set, then the command has failed with no status in the RAM.

On completion of access to the shared RAM Software device driver should release ownership of the shared RAM using the flow described in [Section 4.6.2](#).



10.8.2.2 Host Slave Command Registers

10.8.2.2.1 Host Interface Control Register (CSR Address 0x8F00)

This register operates along with the host software/firmware interface (See [Section 8.23.1](#)).

10.8.2.3 Host Interface Structure

10.8.2.3.1 Host Interface Command Structure

[Table 10-82](#) describes the structure used by the Software device driver to send a command to Firmware using the Host slave command interface (shared RAM mapped to addresses 0x8800-0x8EFF).

Table 10-82. Host Driver Command Structure

| #Byte | Description | Bit | Value | Description |
|-------|---------------|-----|-------------------|---|
| 0 | Command | 7:0 | Command Dependent | Specifies which host command to process. |
| 1 | Buffer Length | 7:0 | Command Length | Command Data Buffer length: 0 to 252, not including 32 bits of header. |
| 2 | Reserved | 7:0 | | Reserved |
| 3 | Checksum | 7:0 | Defined Below | Checksum signature. |
| 255:4 | Data Buffer | 7:0 | Command Dependent | Command Specific Data Minimum buffer size: 0. Maximum buffer size: 252. |

10.8.2.3.2 Host Interface Status Structure

[Table 10-83](#) lists the structure used by Firmware to return a status to the Software device driver via the Host slave command interface. A status is returned after a command has been executed.

Table 10-83. Status Structure Returned to Host Driver

| #Byte | Description | Bit | Value | Description |
|-------|---------------|-----|--------------------------------------|---|
| 0 | Command | 7:0 | Command Dependent | Command ID. |
| 1 | Buffer Length | 7:0 | Status Dependent | Status buffer length: 252:0 |
| 2 | Return Status | 7:0 | Depends on Command Executing Results | 0x1 Status OK 0x2 Illegal command ID 0x3 Unsupported command 0x4 Illegal payload length 0x5 Checksum failed 0x6 Data Error 0x7 Invalid parameter 0x8 - 0xFF Reserved |
| 3 | Checksum | 7:0 | Defined Below | Checksum signature. |
| 255:4 | Data Buffer | | Status Dependent | Status configuration parameters Minimum Buffer Size: 0. Maximal Buffer Size: 252. |

10.8.2.3.3 Checksum Calculation Algorithm



The Host Command/Status structure is summed with this field cleared to 0b. The calculation is done using 8-bit unsigned math with no carry. The inverse of this sum is stored in this field (0b minus the result). Result: The current sum of this buffer (8-bit unsigned math) is 0b.

10.8.2.4 Host Interface Commands

10.8.2.4.1 Driver Info Host Command

This command is used to provide the driver information in NC-SI mode.

Table 10-84. Driver Info Host Command

| Byte | Name | Bit | Value | Description |
|------|----------------|-----|----------------|---|
| 0 | Command | 7:0 | 0xDD | Driver info command. |
| 1 | Buffer Length | 7:0 | 0x5 | Port Number + 4 bytes of the Driver info |
| 2 | Reserved | 7:0 | 0x0 | Reserved |
| 3 | Checksum | 7:0 | | Checksum signature of the Host command. |
| 4 | Port Number | 7:0 | Port Number | Indicates the port currently reporting its driver info |
| 8:5 | Driver Version | 7:0 | Driver Version | Numerical for driver version - should be Byte 8:Major Byte 7:Minor Byte 6:Build Byte 5:SubBuild |

Following is the status returned on this command:

Table 10-85. Driver Info Host Status

| Byte | Name | Bit | Value | Description |
|------|---------------|-----|-------|--------------------------|
| 0 | Command | 7:0 | 0xDD | Driver Info command |
| 1 | Buffer Length | 7:0 | 0x0 | No data in return status |
| 2 | Return Status | 7:0 | 0x1 | 0x1 for good status |
| 3 | Checksum | 7:0 | | Checksum signature |

10.8.2.4.2 Host Proxying Commands

Software Device driver will send to Firmware via shared RAM interface the following Proxying commands, using the interface described in Section 10.8.2.1:

1. Get Firmware Proxying Capabilities Command (See Table 10-86) to receive information on Protocol offloads supported.
2. Set Firmware Proxying Configuration Command (See Table 10-88) to define the required proxying behavior.
3. Send the required Proxying information for the Protocol offloads supported by Firmware via the following commands:
 - a. Set ARP Proxy Table Entry (See Table 10-90).
 - b. Set NS (Neighbor Solicitation) Proxy Table Entry (See Table 10-92).



Following the reception of the commands, Firmware will acknowledge execution of the command via the shared RAM interface using the following responses according to the command issued:

1. Get Firmware Proxying Capabilities Response (See [Table 10-87](#)).
2. Set Firmware Proxying Configuration Response (See [Table 10-89](#)).
3. Acknowledge reception of Proxying information via the following responses:
 - a. Set ARP Proxy Table Entry Response (See [Table 10-91](#)).
 - b. Set NS (Neighbor Solicitation) Proxy Table Entry Response (See [Table 10-93](#))

10.8.2.4.2.1 Get Firmware Proxying Capabilities

This command is used to provide the driver information on protocol offload types supported by the I210.

Table 10-86. Get Firmware Proxying Capabilities Command

| Byte | Name | Bit | Value | Description |
|------|---------------|-----|-------------|---|
| 0 | Command | 7:0 | 0xEA | GET Firmware Proxying Capabilities |
| 1 | Buffer length | 7:0 | 0x2 | |
| 2 | Reserved | 7:0 | 0x0 | Must be zeroed by host |
| 3 | Checksum | 7:0 | | Checksum signature |
| 4 | Port Number | 7:0 | Port Number | Indicates the port number that the command is targeted at. |
| 5 | Page | 7:0 | 0x1 | Get capabilities page number If response exceeds 256 bytes including header (Maximum page size), Software should issue multiple Get Firmware Proxying Capabilities commands with increasing page number until a response with buffer length smaller than 252 is received or a response with a Status field with an Unsupported Page Number is received. Note: Maximum Page size is 256 Bytes including Header information. |

Firmware returns the following status for this command:

- Note:** The Firmware status reply includes a series of two values
{Protocol offload capability type and version, number of entries for this type of Protocol offload}
- Currently the following capabilities are defined, ARP proxy, NS proxy, MLD proxy and mDNS proxy. If the structure is too big to transfer in one time the driver can ask for additional pages by incrementing the page field.

Table 10-87. Get Firmware Proxying Capabilities Response

| Byte | Name | Bit | Value | Description |
|------|---------------|-----|-------|--|
| 0 | Command | 7:0 | 0xEA | Get Firmware Proxying Capabilities |
| 1 | Buffer length | 7:0 | 0xB | The buffer length can vary according to the capabilities the FW supports i.e. if the FW supports 4 capabilities it would be 0xB for less capabilities 2 bytes are reduced per capability |
| 2 | Return Status | 7:0 | 0x1 | 0x0 - Unsupported Page number 0x1 - Status OK 0x2 to 0xFF - Error |



Table 10-87. Get Firmware Proxying Capabilities Response

| | | | | |
|----|----------------------------|-----|--------------------------|--|
| 3 | Checksum | 7:0 | | Checksum signature |
| 4 | Port Number | 7:0 | Port Number | Indicates the port number that the response is for. |
| 5 | Page | 7:0 | 0x1 | First page of capabilities |
| 6 | Total Cap size | 7:0 | 0x8 | Size of capability structure in bytes |
| 7 | ARP proxy version 1 | 7:0 | 0x1 | |
| 8 | Number of ARP entries | 7:0 | Number of entries | Number of ARP entries supported |
| 9 | NS proxy version 1 | 7:0 | 0x2 | |
| 10 | Number of NS proxy entries | 7:0 | Number of entries | Number of NS entries supported |
| 11 | MLD proxy version | 7:0 | 0x3 | |
| 12 | MLD support | 7:0 | Version of MLD supported | 0x0 - not supported 0x1 - MLD version 1 compatibility mode 0x2 - MLD version 2 compatibility mode 0x3 - Both versions supported 0x4 - xOFF: Reserved |
| 13 | mDNS proxy version | 7:0 | 0x4 | |
| 14 | mDNS proxy offload support | 7:0 | Data buffer Size | Size of data buffer allocated for mDNS proxy offload data in KB |

10.8.2.4.2.2 Set Firmware Proxying Configuration

This command is used to provide information to Firmware on how to implement protocol offloads supported by the I210.

The Firmware Proxying Configuration command includes a series of two values

{Command type and version, Command Data for this type of command}

Currently only one Configuration command is defined:

1. No Match - Command defines expected behavior when receiving a Proxying packet that’s not supported.

Note: the I210 keeps its proxy settings after D3 to D0 transition, until they are disabled by host. However, the proxy filters are reset by PERST assertion/deassertion that occurs when transiting from D3 to D0 via Dr state. Therefore, FW is required to reconfigure the proxy filters after PERST deassertion, in the aim to maintain proxying until the driver is up again. To avoid a race condition between FW and SW while accessing proxy registers, the driver should first disable proxying via the host interface before modifying the proxy registers.

If the structure is too big to transfer in one time the driver can ask for additional pages by incrementing the page field.



Table 10-88. Set Firmware Proxying Configuration Command

| Byte | Name | Bit | Value | Description |
|------|---------------|-----|-----------------|--|
| 0 | Command | 7:0 | 0xEB | Set Firmware Proxying Configuration |
| 1 | Buffer length | 7:0 | 0x6 | |
| 2 | Reserved | 7:0 | 0x0 | Must be zeroed by host |
| 3 | Checksum | 7:0 | | Checksum signature |
| 4 | Port Number | 7:0 | Port Number | Indicates the port number that the command is targeted at. Note: Port number is always set to 0x0 in the I210 |
| 5 | No Match | 7:0 | 0x1 | No Match command Defines how Firmware handles unsupported proxying packets. |
| 6 | No Match data | 7:0 | 0x0 or 0x1 | No Match data 0x0 - Discard unsupported proxying packets 0x1 - Issue Wake on reception of unsupported packets. Note: 0x0 is the default value if no configuration command is issued. |
| 7 | Reserved | 7:0 | 0x0 | Reserved |
| 8 | Reserved | 7:0 | 0x0 | Reserved |
| 9 | Enable MLD | 7:0 | 0x0, 0x1 or 0x2 | 0x0: Do not enable MLD 0x1: Enable MLD version 1 0x2: Enable MLD version 2 0x3 - x0FF: Reserved |

Firmware returns the following Response for this command:



Table 10-89. Set Firmware Proxying Configuration Response

| Byte | Name | Bit | Value | Description |
|------|---------------|-----|-----------------|--|
| 0 | Command | 7:0 | 0xEB | Get Firmware Proxying Capabilities |
| 1 | Buffer length | 7:0 | 0x6 | |
| 2 | Return Status | 7:0 | 0x1 | 0x0 - Undefined Error 0x1 - Status OK 0x2 - Unsupported command 0x3 - Checksum Error 0x4 - Buffer Length Error 0x5 to 0xFF - Error |
| 3 | Checksum | 7:0 | | Checksum signature |
| 4 | Port Number | 7:0 | Port Number | Indicates the port number that the status is from. |
| 5 | No Match | 7:0 | 0x1 | No Match command Defines how Firmware handles unsupported proxying packets. |
| 6 | No Match data | 7:0 | 0x0 or 0x1 | No Match Data 0x0 - Discard unsupported proxying packets 0x1 - Issue Wake on reception of unsupported packets. Note: 0x0 is the default value if no configuration command is issued. |
| 7 | Reserved | 7:0 | 0x0 | Reserved |
| 8 | Reserved | 7:0 | 0x0 | Reserved |
| 9 | Enable MLD | 7:0 | 0x0, 0x1 or 0x2 | Copied from the Set Firmware Proxying Configuration Command |

10.8.2.4.2.3 Set ARP Proxy Table Entry

Note: To set an entry Software driver will post command with *Active* field set to 0x1. To disable an entry the driver must post this entry with the *Active* field set to 0x0. Driver must initially disable all unused entries.



Table 10-90. Set ARP Proxy Table Entry Command

| Byte | Name | Bit | Value | Description |
|-------|---------------------|-----|-------------|--|
| 0 | Command | 7:0 | 0x77 | Set ARP proxy command |
| 1 | Buffer length | 7:0 | 0x13 | |
| 2 | Reserved | 7:0 | 0x0 | Must be zeroed by host |
| 3 | Checksum | 7:0 | | Checksum signature |
| 4 | Port Number | 7:0 | Port Number | Indicates the port number that the command is targeted at. Note: Port number is always set to 0x0 in the I210 |
| 5 | Sub command | 7:0 | 0x3 | Set proxy capabilities |
| 6 | ARP proxy version 1 | 7:0 | 0x1 | ARP version 1 entry |
| 7 | Table index | 7:0 | Index | Table index Each Set proxy command is held in a separate Table index. Field defines Table Index for current command. Notes: 1. Table Index values begin at 1. 2. Only a single ARP proxy table entry is supported and only a Table index value of 1 is valid. 3. To change contents of a table entry the relevant Table index should be invalidated (Write command to the Table index with Active field = 0x0) before writing new content. |
| 8 | Active | 7:0 | 0x1 or 0x0 | Set to 0x1 to activate table index Set to 0x0 to invalidate it If set to 0, values of all following fields are ignored |
| 14:9 | MAC Address | 7:0 | | MAC Address to reply to ARP request |
| 18:15 | Local IP Address | 7:0 | | Local IP Address of station |
| 22:19 | Remote IP Address | 7:0 | | Remote IP Address A value of 0x0 indicates any remote IP address |

Firmware returns the following status for this command:



Table 10-91. Set ARP Proxy Table Entry Response

| Byte | Name | Bit | Value | Description |
|-------|---------------------|-----|-------------|--|
| 0 | Command | 7:0 | 0x77 | Set ARP proxy command |
| 1 | Buffer length | 7:0 | 0x13 | |
| 2 | Status | 7:0 | 0x1 | 0x0 - Unsupported Table Index 0x1 - Status OK 0x2 - Table Index in use. 0x3 - Unsupported command 0x4 - Checksum Error 0x5 - Buffer Length Error 0x6 to 0xFF - Error |
| 3 | Checksum | 7:0 | | Checksum signature |
| 4 | Port Number | 7:0 | Port Number | Indicates the port number that the response is for. |
| 5 | Sub command | 7:0 | 0x3 | Set proxy capabilities |
| 6 | ARP proxy version 1 | 7:0 | 0x1 | ARP version 1 entry |
| 7 | Table index | 7:0 | Index | |
| 8 | Active | 7:0 | 0x1 or 0x0 | Set if entry is active |
| 14:9 | MAC Address | 7:0 | | |
| 18:15 | Local IP Address | 7:0 | | |
| 22:19 | Remote IP Address | 7:0 | | |

10.8.2.4.2.4 Set NS (Neighbor Solicitation) Proxy Table Entry

Note: To set an entry Software driver will post command with *Active* field set to 0x1. To disable an entry the driver must post this entry with the *Active* field set to 0x0. Driver must initially disable all unused entries.



Table 10-92. Set NS Proxy Table Entry Command

| Byte | Name | Bit | Value | Description |
|-------|------------------------|-----|-------------|--|
| 0 | Command | 7:0 | 0x78 | Set NS proxy command |
| 1 | Buffer length | 7:0 | 0x4B | |
| 2 | Reserved | 7:0 | 0x0 | Must be zeroed by host |
| 3 | Checksum | 7:0 | | Checksum signature |
| 4 | Port Number | 7:0 | Port Number | Indicates the port number that the command is targeted at. Note: Port number is always set to 0x0 in the I210 |
| 5 | Sub command | 7:0 | 0x3 | Set proxy capabilities |
| 6 | NS proxy version 1 | 7:0 | 0x2 | NS version 1 entry |
| 7 | Table index | 7:0 | Index | Table index Each Set proxy command is held in a separate Table index. Field defines Table Index for current command. Notes: 1. Table Index values begin at 1. 2. Up to two NS proxy table entries are supported and only Table index values of 1 and 2 are valid. 3. To change contents of a table entry the relevant Table index should be invalidated (Write command to the Table index with Active field = 0x0) before writing new content. |
| 8 | Active | 7:0 | 0x1 or 0x0 | Set to 0x1 to activate table index Set to 0x0 to invalidate it If set to 0, values of all following fields are ignored |
| 14:9 | MAC Address | 7:0 | | MAC Address |
| 30:15 | Local IPv6 Address 1 | 7:0 | | Local IPv6 Address 1. This address is used by firmware for NS proxying. |
| 46:31 | Local IPv6 Address 2 | 7:0 | | Local IPv6 Address 2 If there is only one local address value placed here is 0x0. When not 0x0, this address is used by firmware for NS proxying. |
| 62:47 | Remote IPv6 Address | 7:0 | | Remote IPv6 Address A value of 0x0 indicates any address. |
| 78:63 | Solicited IPv6 Address | 7:0 | | Solicited IPv6 Address. This address is used by firmware for MLD proxying. |

Firmware returns the following status for this command:



Table 10-93. Set NS Proxy Table Entry Response

| Byte | Name | Bit | Value | Description |
|-------|------------------------|-----|-------------|--|
| 0 | Command | 7:0 | 0x78 | Set NS proxy command |
| 1 | Buffer length | 7:0 | 0x4B | |
| 2 | Status | 7:0 | 0x1 | 0x0 - Unsupported Table Index 0x1 - Status OK 0x2 - Table Index in use. 0x3 - Unsupported command 0x4 - Checksum Error 0x5 - Buffer Length Error 0x6 to 0xFF - Error |
| 3 | Checksum | 7:0 | | Checksum signature |
| 4 | Port Number | 7:0 | Port Number | Indicates the port number that the status is for. |
| 5 | Sub command | 7:0 | 0x3 | Set proxy capabilities |
| 6 | NS proxy version 1 | 7:0 | 0x2 | NS version 1 entry |
| 7 | Table index | 7:0 | Index | |
| 8 | Active | 7:0 | 0x1 or 0x0 | Set if entry is active |
| 14:9 | MAC Address | 7:0 | | MAC Address |
| 30:15 | Local IPv6 Address 1 | 7:0 | | Local IPv6 Address 1 |
| 46:31 | Local IPv6 Address 2 | 7:0 | | Local IPv6 Address 2 If there is only one local address value placed is 0x0 |
| 62:47 | Remote IPv6 Address | 7:0 | | Remote IPv6 Address A value of 0x0 indicates any address. |
| 78:63 | Solicited IPv6 Address | 7:0 | | Solicited IPv6 Address |

10.8.2.4.2.5 Set mDNS Proxy

To enable mDNS proxy the driver needs to handoff the mDNS data to the FW. The host driver generally pass the mDNS data in chunks of 128 bytes using the Set mDNS Proxy command. However, in I211, for saving on-die memory space, the mDNS data is loaded by the driver directly into the flash area provisioned for it. The exact structure of the mDNS data is specified in the mDNS Proxy SAS document. The command is issued by the driver whenever the system goes to sleep, after the mDNS data was updated in the flash if necessary.

**Table 10-94. Set mDNS Proxy Command**

| Byte | Name | Bit | Value | Description |
|------|----------------------|-----|-------|--|
| 0 | Command | 7:0 | 0x79 | Set mDNS Proxy Command |
| 1 | Buffer length | 7:0 | 0x6 | |
| 2 | Reserved | 7:0 | 0x0 | Must be zeroed by host |
| 3 | Checksum | 7:0 | | Checksum signature |
| 4 | Port Number | 7:0 | 0x0 | Indicates the port number that the command is targeted at. |
| 5 | Sub command | 7:0 | 0x3 | Set proxy capabilities |
| 6 | mDNS proxy version 1 | 7:0 | 0x4 | mDNS version 1 entry |
| 7 | DataChunk index | 7:0 | 0x0 | Data Chunk index is used to pass all mDNS proxy data in chunks starting from Chunk[0] till the last chunk |
| 8 | Active | 7:0 | 0x0 | Bit 0: Set to 1b to activate chunk index Set to 0b to invalidate it If set to 0, values of all following fields are ignored Bit 1: Set to 1b to indicate last chunk Set to 0b to indicate other (non last) chunk |
| 9 | Chunk Data Length | 7:0 | 0x0 | Set to 0x80 for non last data chunks, for last data chunk indicates the number of valid bytes in the chunk |

Firmware returns the following status for this command:

Table 10-95. Set mDNS Proxy Response

| Byte | Name | Bit | Value | Description |
|------|----------------------|-----|-------------|--|
| 0 | Command | 7:0 | 0x79 | Set mDNS Proxy Response |
| 1 | Buffer length | 7:0 | 0x6 | |
| 2 | Status | 7:0 | 0x1 | 0x0 - Unsupported Table Index 0x1 - Status OK 0x2 - Table Index in use. 0x3 - Unsupported command 0x4 - Checksum Error 0x5 - Buffer Length Error 0x6 to 0xFF - Error |
| 3 | Checksum | 7:0 | | Checksum signature |
| 4 | Port Number | 7:0 | Port Number | Indicates the port number that the status is for. |
| 5 | Sub command | 7:0 | 0x3 | Set proxy capabilities |
| 6 | mDNS proxy version 1 | 7:0 | 0x4 | mDNS version 1 entry |
| 7 | DataChunk index | 7:0 | Index | Data Chunk index is used to pass all mDNS proxy data in chunks starting from Chunk[0] till the last chunk |
| 8 | Active | 7:0 | | Reflection of the Active byte from the mDNS proxy command |
| 9 | Chunk Data Length | 7:0 | | Reflection of the Chunk Data Length byte from the mDNS proxy command |

10.8.3 Host Isolate Support

If a MC decides that a malicious software prevents its usage of the LAN, it may decide to isolate the NIC from its driver. This is done using the TCO reset command ([Section 10.6.3.12](#)).



If TCO isolate is enabled in the Flash (See [Section 6.7.1.3](#)), The TCO Isolate command will disable PCIe write operations to the LAN port. As the driver needs to access the CSR space in order to provide descriptors to the NIC, this operation will also stop the network traffic including OS2BMC and MC-to-OS traffic as soon as the existing transmit and receive descriptor queues are exhausted.



11.0 Electrical/Mechanical Specification

11.1 Introduction

These specifications are subject to change without notice.

This chapter describes the I210 DC and AC (timing) electrical characteristics. This includes absolute maximum rating, recommended operating conditions, power sequencing requirements, DC and AC timing specifications. The DC and AC characteristics include generic digital 3.3V I/O specification as well as other specifications supported by the I210.

11.2 Operating Conditions

Table 11-1. Absolute Maximum Ratings

Note: Ratings in these tables are those beyond which permanent device damage is likely to occur. These values should not be used as the limits for normal device operation. Exposure to absolute maximum rating conditions for extended periods might affect device reliability.

| Symbol | Parameter | I210 (Commercial Temperature SKU) | | I210 (Industrial Temperature SKU) | | Units |
|--------------------------------|------------------------------|-----------------------------------|-----|-----------------------------------|-----|-------|
| | | Min | Max | Min | Max | |
| T _{case} | Case Temperature Under Bias | 0 | 85 | -40 | 105 | °C |
| T _{storage} | Storage Temperature Range | -40 | 125 | -40 | 125 | °C |
| V _i /V _o | 3.3V Compatible I/Os Voltage | V _{ss} -0.5 | 4.0 | V _{ss} -0.5 | 4.0 | V |
| VCC3P3 | 3.3V DC Supply Voltage | V _{ss} - 0.5 | 4.0 | V _{ss} -0.5 | 4.0 | V |



11.2.1 Recommended Operating Conditions

| Symbol | Parameter | I210 (Commercial Temperature SKU) | | I210 (Industrial Temperature SKU) | | Units | Notes |
|--------|--|-----------------------------------|-----|-----------------------------------|-----|-------|---------|
| | | Min | Max | Min | Max | | |
| Ta | Operating Temperature Range (Ambient; 0 CFS airflow) | 0 | 70 | -40 | 85 | °C | 1, 2, 3 |

1. For normal device operation, adhere to the limits in this table. Sustained operations of a device at conditions exceeding these values, even if they are within the absolute maximum rating limits, may result in permanent device damage or impaired device reliability. Device functionality to stated DC and AC limits is not guaranteed if conditions exceed recommended operating conditions.
2. Recommended operation conditions require accuracy of power supply as defined in [Section 11.3.1](#).
3. With external heat sink. Airflow required for operation in 85 °C ambient temperature.



11.3 Power Delivery

11.3.1 Power Supply Specification

| VCC3P3 (3.3V) Parameters | | | | |
|---------------------------------|---|------------|------------|---------------|
| Parameter | Description | Min | Max | Units |
| Rise Time | Time from 10% to 90% mark | 0.1 | 50 | mS |
| Monotonicity | Voltage dip allowed in ramp | N/A | 0 | mV |
| Slope | Ramp rate at any given time between 10% and 90% Min: $0.8 \cdot V(\text{min}) / \text{Rise time (max)}$ Max: $0.8 \cdot V(\text{max}) / \text{Rise time (min)}$ | 24 | 2880 | V/S |
| Operational Range | Voltage range for normal operating conditions | 2.97 | 3.465 | V |
| Ripple ¹ | Maximum voltage ripple (peak to peak) | N/A | 70 | mV |
| Overshoot | Maximum overshoot allowed | N/A | 100 | mV |
| Overshoot Settling Time | Maximum overshoot allowed duration. (At that time delta voltage should be lower than 5mv from steady state voltage) | N/A | 0.05 | mS |
| Decoupling Capacitance | Capacitance range | 15 | | μF |
| Capacitance ESR | Equivalent series resistance of output capacitance | N/A | 50 | M Ω |
| VCC1P5 (1.5V) Parameters | | | | |
| Parameter | Description | Min | Max | Units |
| Rise Time | Time from 10% to 90% mark | 0.1 | 85 | mS |
| Monotonicity | Voltage dip allowed in ramp | N/A | 0 | mV |
| Slope | Ramp rate at any given time between 10% and 90% Min: $0.8 \cdot V(\text{min}) / \text{Rise time (max)}$ Max: $0.8 \cdot V(\text{max}) / \text{Rise time (min)}$ | 14 | 1440 | V/S |
| Operational Range | Voltage range for normal operating conditions | 1.425 | 1.575 | V |
| Ripple ¹ | Maximum voltage ripple (peak to peak) | N/A | 40 | mV |
| Overshoot | Maximum overshoot allowed | N/A | 100 | mV |
| Overshoot Settling Time | Maximum overshoot allowed duration. (At that time delta voltage should be lower than 5mv from steady state voltage) | N/A | 0.1 | mS |
| Decoupling Capacitance | Capacitance range | 15 | | μF |
| Capacitance ESR | Equivalent series resistance of output capacitance | N/A | 50 | m Ω |
| VCC0P9 (0.9V) Parameters | | | | |
| Parameter | Description | Min | Max | Units |
| Rise Time | Time from 10% to 90% mark | 0.1 | 80 | mS |
| Monotonicity | Voltage dip allowed in ramp | N/A | 0 | mV |
| Slope | Ramp rate at any given time between 10% and 90% Min: $0.8 \cdot V(\text{min}) / \text{Rise time (max)}$ Max: $0.8 \cdot V(\text{max}) / \text{Rise time (min)}$ | 7.6 | 800 | V/S |
| Operational Range | Voltage range for normal operating conditions | 0.855 | 0.945 | V |
| Ripple ¹ | Maximum voltage ripple (peak to peak) | N/A | 40 | mV |
| Overshoot | Maximum overshoot allowed | N/A | 100 | mV |



| Parameter | Description | Min | Max | Units |
|------------------------|--|-----|------|-------|
| Overshoot Duration | Maximum overshoot allowed duration. (At that time delta voltage should be lower than 5mv from steady state voltage) | 0.0 | 0.05 | mS |
| Decoupling Capacitance | Capacitance range | 15 | | μF |
| Capacitance ESR | Equivalent series resistance of output capacitance | | 50 | M Ω |

1. Power supply voltage with ripple should not be below minimum power supply operating range.

11.3.1.1 Power On/Off Sequence

On power-on, after 3.3V reaches 90% of its final value, all voltage rails (1.5V and 0.9V) are allowed 20 ms maximum to reach their final operating values. However, to keep leakage current at a minimum, it is recommended to turn on power supplies almost simultaneously (with delay between supplies at most a few milliseconds).

For power-down, it is recommended to turn off all power rails at the same time and let power supply voltage decay.

Table 11-2. Power Sequencing

| Symbol | Parameter | Min | Max | Units |
|----------------------|--|----------------|-----|-------|
| T _{3_09} | VCC3P3 (3.3V) power supply stable to VCC0P9 (0.9V) power supply stable | 1 ³ | 20 | ms |
| T _{3_15} | VCC3P3 (3.3V) power supply stable to VCC1P5 (1.5V) power supply stable | 1 ³ | 20 | ms |
| T _{m-per} | 3.3V power supply to PE_RST_N de-assertion ¹ | 100 | | ms |
| T _{lpg} | Power Supplies Stable to LAN_PWR_GOOD assertion | 0 | | ms |
| T _{lpg-per} | LAN_PWR_GOOD assertion to PE_RST_N de-assertion ¹ | 100 | | ms |
| T _{per-m} | PE_RST_N off before 3.3V power supply down | 0 | | ms |
| T _{lpgw} | LAN_PWR_GOOD de-assertion time ² | 1 | | ms |

1. If external LAN_PWR_GOOD is used, this time should be kept between LAN_PWR_GOOD assertion and PE_RST_N de-assertion.
2. Parameter relevant only if external LAN_PWR_GOOD used.
3. With external power supplies.

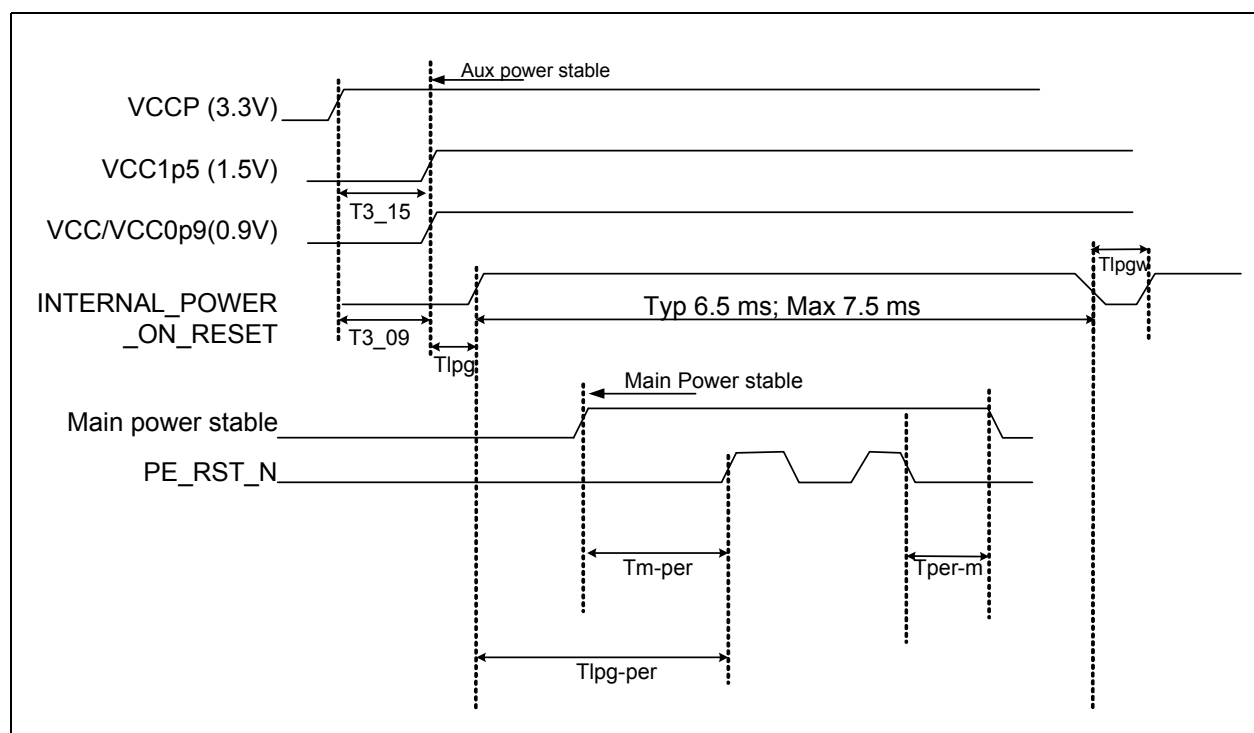


Figure 11-1. Power and Reset Sequencing

11.3.1.2 Power-On Reset Thresholds

The I210 internal power-on reset circuitry initiates a full chip reset when voltage levels of power supplies reach certain thresholds at power-up.

Table 11-3. Power-on Reset Thresholds

| Symbol | Parameter | Specifications | | | Units |
|--------|--|----------------|------|------|-------|
| | | Min | Typ | Max | |
| VTh3.3 | Threshold for 3.3 V power supply in power-up | 0.96 | 1.2 | 1.44 | V |
| VTh0.9 | Threshold for 0.9 V power supply in power-up | 0.52 | 0.66 | 0.8 | V |
| VTh1.5 | Threshold for 1.5 V power supply in power-up | 0.88 | 1.1 | 1.32 | V |

Note: The POR circuit only generates a reset during the power up but does not monitor the power levels after power is stable. Therefore, it does not generate any reset in power-down or when power levels decrease.

11.4 Ball Summary

See Chapter 2.0 for balls description and ball out map.



11.5 Current Consumption

| Condition | Speed (Mb/s) | Condition | Total Power Internal SVR (mW) | 0.9V Current-External (mA) | 1.5V Current-External (mA) | 3.3V Current-External (mA) | Total Power Ext. Regulator (mW) |
|---|------------------|----------------|-------------------------------|----------------------------|----------------------------|----------------------------|---------------------------------|
| D0a - active link | 10 | Typ | 381 | 48.3 | 16.3 | 85.1 | 348 |
| | 100 | Typ | 373 | 54.4 | 24.9 | 75.5 | 334 |
| | 1000 copper | Typ | 612 | 99.7 | 52.6 | 111.2 | 535 |
| | 1000 fiber | Typ | 363 | 57.9 | 37.1 | 61.8 | 312 |
| | 1000 copper | Max-Commercial | 740 | 160 ¹ | 54 ¹ | 122 ¹ | 626 ¹ |
| | 1000 fiber | Max-Commercial | 490 | 111 ¹ | 38 ¹ | 80 ¹ | 421 ¹ |
| | 1000 copper | Max-IT | 800 | 190 ¹ | 55 ¹ | 132 ¹ | 690 ¹ |
| | 1000 fiber | Max-IT | 510 | 121 ¹ | 39 ¹ | 83 ¹ | 441 ¹ |
| D0a - idle link EEE disabled | No link | Typ | 185 | 37.1 | 11.3 | 33.3 | 160 |
| | 10 | Typ | 242 | 38.2 | 16.4 | 44.6 | 206 |
| | 100 | Typ | 258 | 43.1 | 24.9 | 54.5 | 227 |
| | 1000 copper | Typ | 487 | 80.6 | 52.5 | 82.2 | 422 |
| | 1000 fiber | Typ | 354 | 52 | 36.8 | 61.8 | 306 |
| D0a - idle link EEE enabled | No link | Typ | - | - | - | - | - |
| | 10 | Typ | 233 | 38.1 | 15.9 | 44.5 | 206 |
| | 100 | Typ | 198 | 39.3 | 16 | 33.6 | 170 |
| | 1000 copper | Typ | 200 | 41.1 | 21.1 | 33.8 | 180 |
| D3cold - WoL enabled | No link | Typ | 104 | 28.2 | 11.3 | 13.4 | 87 |
| | 10 | Typ | 151 | 29.4 | 16.4 | 24.3 | 132 |
| | 100 | Typ | 162 | 34.3 | 24.9 | 25.4 | 152 |
| | 100 EEE enabled | Typ | 108 | 30.5 | 16.1 | 13.6 | 97 |
| | 1000 | Typ | 404 | 72.1 | 52.5 | 62.1 | 349 |
| | 1000 EEE enabled | Typ | 220 | 32.2 | 21.1 | 14.1 | 107 |
| D3cold-WoL disabled (PCIe L3) | No link | Max-Commercial | 155 | | | | |
| | | Max-IT | 173 | | | | |
| D0 uninitialized disabled through DEV_OFF_N | No link | Typ | 89 | 23.3 | 4.4 | 13.3 | 71 |
| Manageability with MCTP mode in D3Cold State - WoL disabled. | 100 | Typ | 312 | 32.7 | 21.9 | 14 | 108 |

Notes:

Typ = Typical units, nominal voltage and room temperature.

Max = Typical units, high voltage, and hot temperature.

1. Estimated values.



11.6 DC/AC Specification

11.6.1 DC Specifications

11.6.1.1 Digital I/O

Table 11-4. Digital IO DC Electrical Characteristics

| Symbol | Parameter | Conditions | Min | Max | Units | Note |
|--------|-----------------------|----------------------------------|--------------|--------------|------------|---------------------|
| VCC3P3 | Periphery Supply | | 2.97 | 3.465 | V | 3.3V + 5%/3.3V -10% |
| VCC | Core Supply | | 0.855 | 0.945 | V | 0.9V +/- 5% |
| VOH | Output High Voltage | IOH = -8 mA; VCC3P3 = Min | 2.4 | | V | 3 |
| | | IOH = -100 μ A; VCC3P3 = Min | VCC3P3-0.2 | | | |
| VOL | Output Low Voltage | IOL = 8 mA; VCC=Min | | 0.4 | V | 4, 5 |
| | | IOL = 100 μ A; VCC=Min | | 0.2 | V | |
| VIH | Input High Voltage | | 0.7 x VCC3P3 | VCC3P3 + 0.4 | V | 1 |
| VIL | Input Low Voltage | | -0.4 | 0.3 x VCC3P3 | V | 1 |
| Iil | Input Current | VCC3P3 = Max; VI = 3.6V/GND | | +/- 10 | μ A | |
| PU | Internal Pull Up | VIL = 0V | 40 | 150 | K Ω | 2 |
| | Built-in Hysteresis | | 150 | | mV | |
| Cin | Input Pin Capacitance | | | 5 | pF | |
| Vos | Overshoot | | N/A | 4 | V | |
| Vus | Undershoot | | N/A | -0.4 | V | |

Notes:

1. Applies to PE_RST_N, LAN_PWR_GOOD, DEV_OFF_N, JTAG_CLK, JTAG_TDI, JTAG_TDO, JTAG_TMS, SDP0,SDP1, SDP2, and SDP3. The input buffer also has hysteresis > 100mV.
2. Internal pull up max characterized at slow corner (125C, VCC3P3=min, process slow); internal pull up min characterized at fast corner (0C, VCC3P3=max, process fast).
3. JTAG_TDO, NVM_CS_N, NVM_SI, NVM_SK, SDP[0], SDP[1], SDP[2], SDP[3], SFP_I2C_DATA - IOH = -6 mA.
4. JTAG_TDO, NVM_CS_N, NVM_SI, NVM_SK, SDP[0], SDP[1], SDP[2], SDP[3], SFP_I2C_DATA - IOL = 6 mA.
5. SFP_I2C_DATA - VOL Max = 0.43 [V].



11.6.1.2 LEDs I/O

Table 11-5. LED IO DC Electrical Characteristics

| Symbol | Parameter | Conditions | Min | Max | Units | Note |
|--------|---------------------|-----------------------------|--------------|--------------|-------|------|
| VCC3P3 | Periphery Supply | | 2.97 | 3.465 | V | |
| VCC | Core Supply | | 0.855 | 0.945 | V | |
| VOH | Output High Voltage | IOH = -20 mA; VCC3P3 = Min | 2.4 | | V | |
| VOL | Output Low Voltage | IOL = 20 mA; VCC=Min | | 0.45 | V | |
| VIH | Input High Voltage | | 0.7 x VCC3P3 | VCC3P3 + 0.4 | V | 1 |
| VIL | Input Low Voltage | | -0.4 | 0.3 x VCC3P3 | V | 1 |
| Iil | Input Current | VCC3P3 = Max; VI = 3.6V/GND | | +/- 20 | µA | |
| Vos | Overshoot | | N/A | 4 | V | |
| Vus | Undershoot | | N/A | -0.4 | V | |

Notes:

1. The input buffer also has hysteresis > 150 mV.
2. Applies to LED0, LED1, and LED2.

11.6.1.3 Open Drain I/Os

Table 11-6. Open Drain DC Specifications (Note 1, 4)

| Symbol | Parameter | Condition | Min | Max | Units | Note |
|----------|------------------------|------------------------|-------|-------|-------|------|
| VCC3P3 | Periphery Supply | | 2.97 | 3.465 | V | |
| VCC | Core Supply | | 0.855 | 0.945 | V | |
| Vih | Input High Voltage | | 2.0 | 5.5 | V | |
| Vil | Input Low Voltage | | | 0.7 | V | |
| Ileakage | Output Leakage Current | 0 < Vin < VCC3P3 | | +/-10 | µA | 2 |
| Vol | Output Low Voltage | @ Ipullup | | 0.4 | V | 4 |
| Iol | Output Low Current | Vol=0.4V | 16 | | mA | |
| Cin | Input Pin Capacitance | | | 5 | pF | 3 |
| Ioffsmb | Input Leakage Current | VCC3P3 off or floating | | +/-10 | µA | 2 |

Notes:

1. Applies to SMB_DAT, SMB_CLK, SMB_ALRT_N, PE_WAKE_N and VR_EN pads.
2. Device meets this whether powered or not.
3. Characterized, not tested.
4. OD no high output drive. VOL max=0.4V at 6 mA, VOL max=0.2V at 0.1 mA.

11.6.1.4 NC-SI Input and Output Pads

Table 11-7. NC-SI Pads DC Specifications

| Symbol | Parameter | Conditions | Min | Max | Units |
|--------|----------------------|------------|-------|-------|-------|
| VCC3P3 | Periphery Supply | | 2.97 | 3.465 | V |
| VCC | Core Supply | | 0.855 | 0.945 | V |
| Vabs | Signal Voltage Range | | -0.3 | 3.765 | V |

**Table 11-7. NC-SI Pads DC Specifications (Continued)**

| Symbol | Parameter | Conditions | Min | Max | Units |
|------------------|---------------------|------------------------------|--------------|--------------|-------|
| VOH ² | Output High Voltage | IOH = -4 mA; VCC3P3 = Min | VCC3P3 - 0.4 | | V |
| VOL | Output Low Voltage | IOL = 4 mA; VCC3P3 = Min | | 0.4 | V |
| VIH | Input High Voltage | | 0.7 x VCC3P3 | | V |
| VIL | Input Low Voltage | | | 0.3 x VCC3P3 | V |
| Vihyst | Input Hysteresis | | 100 | | mV |
| Iil/Iih | Input Current | VCC3P3 = Max; Vin = 3.6V/GND | | 20 | μA |
| Cin | Input Capacitance | | | 5 | pF |

1. Applies to the NC_SI_CLK_OUT, NC_SI_CRS_DV, NC_SI_RXD[1:0], NC_SI_ARB_OUT, NC_SI_TX_EN, NC_SI_TXD[1:0], NC_SI_CLK_IN, NC_SI_ARB_IN.
2. NC_SI_ARB_OUT - VOH Min = VCC3P3-0.65 [V].

11.6.2 Digital I/F AC Specifications

11.6.2.1 Reset Signals

The timing between the power up sequence and the different reset signals is described in [Figure 11-1](#) and in [Table 11-2](#).

11.6.2.1.1 LAN_PWR_GOOD

The I210 uses an internal power on detection circuit in order to generate the LAN_PWR_GOOD signal. Reset can also be implemented when the external power on detection circuit determines that the device is powered up and asserts the LAN_PWR_GOOD signal to reset the device.

11.6.2.2 SMBus

[Table 11-8](#) lists the timing guaranteed when the driver or the agent is performing the action. Where only a typical value is specified, the actual value will be within 2% of the value indicated.

Table 11-8. SMBus Timing Parameters (Master Mode)

| Symbol | Parameter | Min | Typ 100 KHz | Typ 400 KHz | Typ 1 MHz | Max | Units |
|---------------------|---|------|-------------|-------------|-----------|------|-------|
| F _{SMB} | SMBus Frequency | | 100 | 400 | 1000 | 1000 | kHz |
| T _{BUF} | Time between Stop and Start condition driven by the I210 | 0.5 | 4.7 | 1.3 | 0.5 | | μs |
| T _{HD:STA} | Hold Time After Start Condition. After this period, the first clock is generated. | 0.26 | 4 | 0.6 | 0.26 | | μs |
| T _{SU:STA} | Start Condition Setup Time | 0.14 | 2 | 0.3 | 0.14 | | μs |
| T _{SU:STO} | Stop Condition Setup Time | 0.26 | 4 | 0.6 | 0.26 | | μs |
| T _{HD:DAT} | Data Hold Time | 0 | 0.3 | 0 | 0 | | μs |
| T _{SU:DAT} | Data Setup Time | 0.05 | 0.25 | 0.1 | 0.05 | | μs |



Table 11-8. SMBus Timing Parameters (Master Mode) (Continued)

| Symbol | Parameter | Min | Typ 100 KHz | Typ 400 KHz | Typ 1 MHz | Max | Units |
|----------------------|----------------------------|------|-------------|-------------|-----------|-----|-------|
| T _{TIMEOUT} | Detect SMB_CLK Low Timeout | 35 | 35 | 35 | 35 | 35 | ms |
| T _{LOW} | SMB_CLK Low Time | 0.5 | 4.7 | 1.3 | 0.5 | | μs |
| T _{HIGH} | SMB_CLK High Time | 0.26 | 4 | 0.6 | 0.26 | | μs |

Table 11-9 lists the timing requirements of the I210 when it is the receiver of the indicated signal.

Table 11-9. SMBus Timing Parameters (Slave Mode)

| Symbol | Parameter | Min 100 KHz ¹ | Min 400 KHz ² | Min 1 MHz ³ | Max | Units |
|---------------------|---|--------------------------|--------------------------|------------------------|------|-------|
| F _{SMB} | SMBus Frequency | 10 | 10 | 10 | 1000 | kHz |
| T _{BUF} | Time between Stop and Start condition driven by partner. | 4.7 | 1.3 | 0.5 | | μs |
| T _{HD:STA} | Hold Time After Start Condition. After this period, the first clock is generated. | 4 | 0.6 | 0.26 | | μs |
| T _{SU:STA} | Start Condition Setup Time | 4.7 | 0.6 | 0.26 | | μs |
| T _{SU:STO} | Stop Condition Setup Time | 4 | 0.6 | 0.26 | | μs |
| T _{HD:DAT} | Data Hold Time | 300 | 100 | 0 | | ns |
| T _{SU:DAT} | Data Setup Time | 250 | 100 | 50 | | ns |
| T _{LOW} | SMB_CLK Low Time | 4.7 | 1.3 | 0.5 | | μs |
| T _{HIGH} | SMB_CLK High Time | 4 | 0.6 | 0.26 | | μs |

1. Specifications based on SMBus specification.
2. Specifications based on I2C specification for Fast-mode (400 KHz).
3. Specifications based on I2C specification rev 03 for Fast-mode Plus (1 MHz).

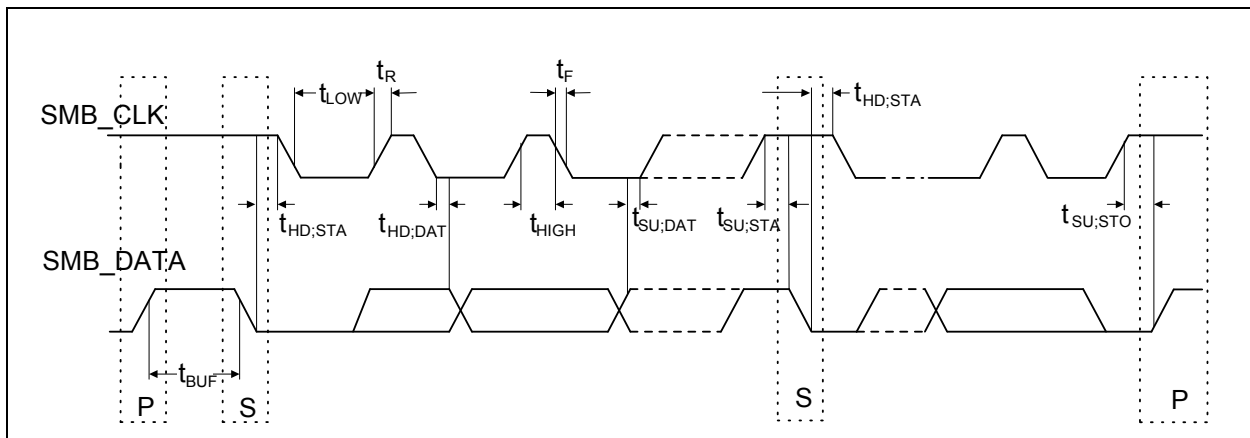


Figure 11-2. SMBus I/F Timing Diagram



11.6.2.3 I²C AC Specification

Table 11-10 lists the timing of the I2C_CLK and I2C_DATA pins when operating in I²C mode.

Table 11-10. I²C Timing Parameters

| Symbol | Parameter | Min | Typ | Max | Units |
|---------------------|---|-----------------|-----|-----|-------|
| F _{SCL} | I2C_CLK Frequency | | | 100 | kHz |
| T _{BUF} | Time between Stop and Start condition driven by the I210 | 4.7 | | | μs |
| T _{HD:STA} | Hold Time After Start Condition. After this period, the first clock is generated. | 4 | | | μs |
| T _{SU:STA} | Start Condition Setup Time | 4.7 | | | μs |
| T _{SU:STO} | Stop Condition Setup Time | 4 | | | μs |
| T _{HD:DAT} | Data Hold Time | 50 ¹ | | | ns |
| T _{SU:DAT} | Data Setup Time | 0.25 | | | μs |
| T _{LOW} | I2C_CLK Low Time | 4.7 | | | μs |
| T _{HIGH} | I2C_CLK High Time | 4 | | | μs |

1. According to Atmel's AT24C01A/02/04 definition of the 2 wires interface.

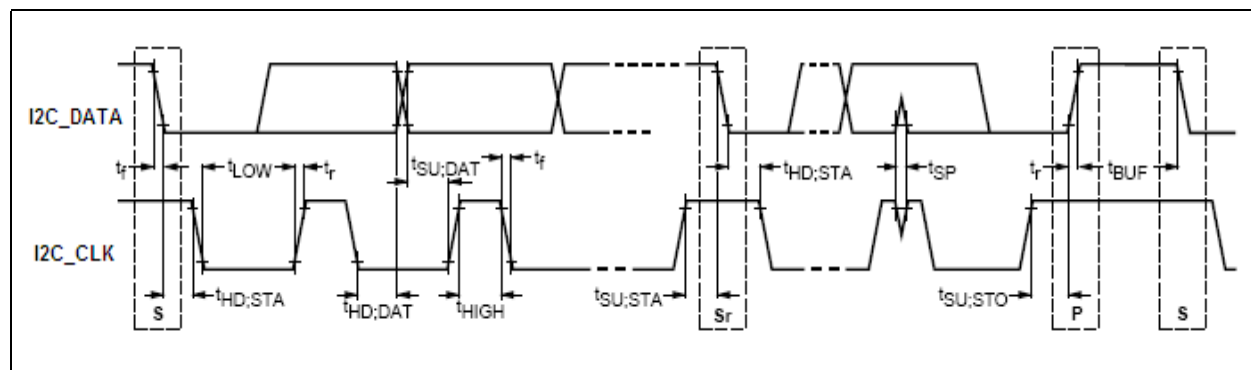


Figure 11-3. I²C I/F Timing Diagram

11.6.2.4 Flash AC Specification

The I210 is designed to support a serial Flash. Applicable over the recommended operating range from Ta = -40C to +85 °C, VCC3P3 = 3.3V, Cload = 1 TTL Gate and 16 pF (unless otherwise noted). For Flash I/F timing specification Table 11-11 and Figure 11-4.



Table 11-11. Flash I/F Timing Parameters

| Symbol | Parameter | Pad Name | Min | Typ | Max | Units | Note |
|-------------------|---|-------------------|---------|-------|-----|-------|---|
| f _{SCK} | Serial Clock (SCK) frequency for all instructions | NVM_SK | | 3.125 | | MHz | After power on. |
| f _{SCK} | Serial Clock (SCK) frequency for all instructions (word 0x11 loaded) | NVM_SK | | 12.5 | | MHz | Dependent on the value of the <i>Flash Speed</i> field. |
| f _{SCK} | Serial Clock (SCK) frequency for all instructions (LAN PLL operational) | NVM_SK | | 62.5 | | MHz | Dependent on the value of the <i>FLASHMODE.FLASH_SPEED</i> field. See note [1]. |
| t _{SCKH} | SCK High time | NVM_SK | 7.1 | 7.8 | | ns | |
| t _{SCKL} | SCK Low time | NVM_SK | 7.1 | 8.2 | | ns | |
| t _{SCKR} | SCK Rise time, Peak-to-Peak (Slew Rate) | NVM_SK | 0.1+0.2 | 0.7 | | V/ns | |
| t _{SCKF} | SCK Fall time, Peak-to-Peak (Slew Rate) | NVM_SK | 0.1+0.2 | 0.7 | | V/ns | |
| t _{CSHS} | CS High Setup time (relative to SCK) | NVM_CS_N (NVM_SK) | N/A | N/A | N/A | ns | Device will not output a clock when NVM_CS_N is high. |
| t _{CSHH} | CS High Hold time (relative to SCK) | NVM_CS_N (NVM_SK) | N/A | N/A | N/A | ns | Device will not output a clock when NVM_CS_N is high. |
| t _{CSLS} | CS Low Setup time | NVM_CS_N (NVM_SK) | 6.5 | 9.2 | | ns | |
| t _{CSLH} | CS Low Hold time | NVM_CS_N (NVM_SK) | 7 | | | ns | |
| t _{CSH} | CS High time | NVM_CS_N (NVM_SK) | 16 | 104 | 136 | ns | |
| t _{DS} | Data-in Setup time | NVM_SI (NVM_SK) | 2+2 | 7.9 | | ns | |
| t _{DH} | Data-in Hold time | NVM_SI (NVM_SK) | 5+2 | 8 | | ns | |
| t _V | Data-out Valid time | NVM_SO (NVM_SK) | 0 | 7 | 10 | ns | |

Notes:

1. In bit banging mode, the clock is toggled by software at a much lower rate.

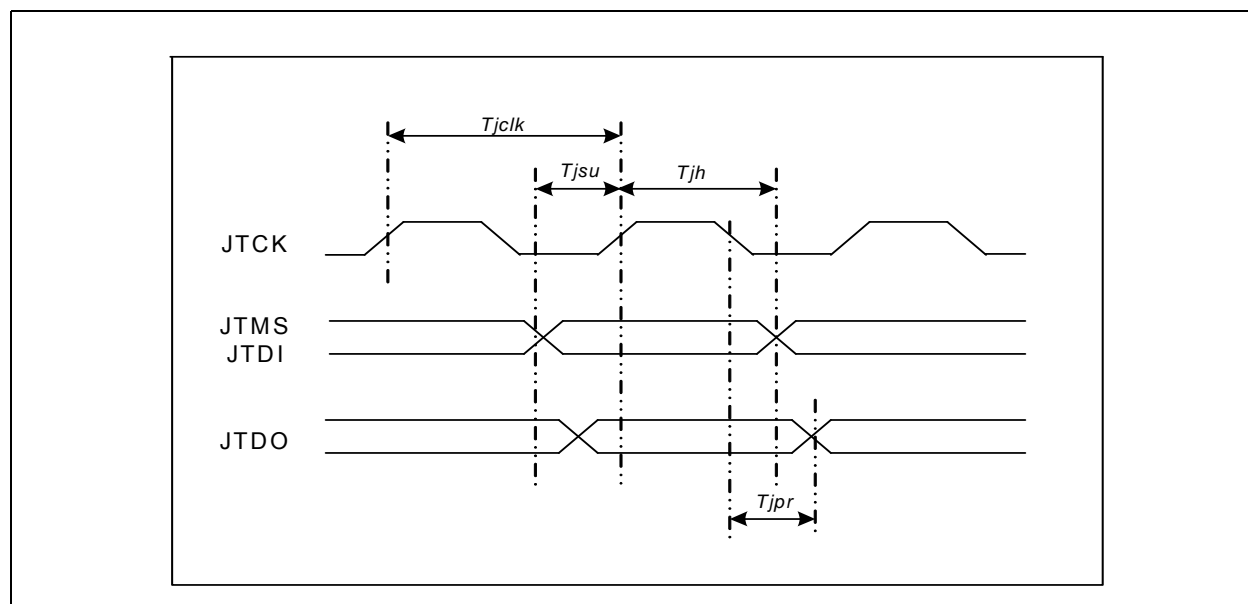


Figure 11-6. JTAG AC Timing Diagram

11.6.2.7 MDIO AC Specification

The I210 is designed to support the MDIO specifications defined in IEEE 802.3 clause 22. Following timing specifications are applicable over recommended operating range from $T_a = 0\text{ }^{\circ}\text{C}$ to $+70\text{ }^{\circ}\text{C}$, $V_{CC3P3} = 3.3\text{V}$, $C_{load} = 16\text{pF}$ (unless otherwise noted). For MDIO I/F timing specification see Table 11-14, Figure 11-7 and Figure 11-8.

Table 11-14. MDIO I/F Timing Parameters

| Symbol | Parameter | Min | Typ | Max | Units | Note |
|------------|------------------------|-----|-----|-----|-------|------|
| t_{MCLK} | MDC clock frequency | | | 2 | MHz | |
| t_{MH} | MDIO hold time | 10 | | | nS | |
| t_{MSU} | MDIO setup time | 10 | | | nS | |
| t_{MPR} | MDIO propagation Delay | 10 | | 300 | nS | |

Notes:

1. Table 11-14 applies to MDIO0, MDC0, MDIO1, MDC1, MDIO2, MDC2, MDIO3, and MDC3.
2. Timing measured relative to MDC reference voltage of 2.0V (V_{ih}).

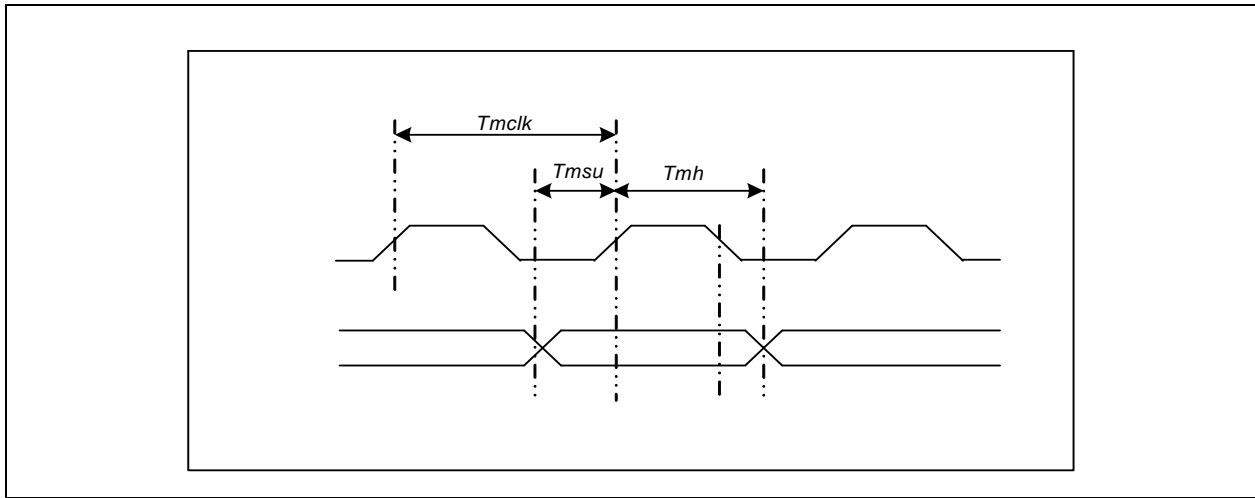


Figure 11-7. MDIO Input AC Timing Diagram

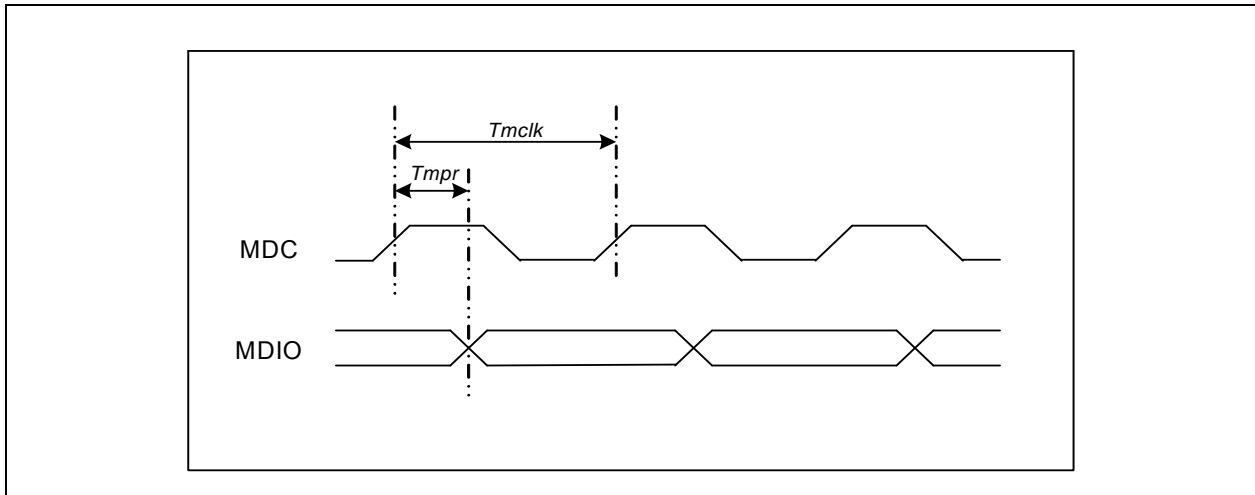


Figure 11-8. MDIO Output AC Timing Diagram

11.6.2.8 SFP 2 Wires I/F AC Specification

According to Atmel's AT24C01A/02/04 definition of the 2 wires I/F bus.

11.6.2.9 PCIe Interface DC/AC Specification

The I210 PCIe Gen 1 interface supports the electrical specifications defined in:

- PCI Express* 2.0 Card Electro-Mechanical (CEM) Specification.



- PCI Express* 2.1 Base Specification, Chapter 4.

11.6.2.9.1 PCIe Specification - Input Clock

The input clock for PCIe must be a differential input clock in frequency of 100 MHz. For full specifications please check the PCI Express* 2.0 Card Electro-Mechanical (CEM) Specification (refclk specifications for Gen 1).

11.6.3 SerDes DC/AC Specification

The SerDes interface supports the following standards:

1. PICMG 3.1 specification Rev 1.0 1000BASE-BX.
2. 1000BASE-KX electrical specification defined IEEE802.3ap clause 70.
3. SGMII on 1000BASE-BX or 1000BASE-KX compliant electrical interface (AC coupling with internal clock recovery).
4. SFP (Small Form factor Pluggable) Transceiver Rev 1.0

11.6.4 PHY Specification

The specifications define the interface for the back-plane board connection, interface to external 1000BASE-T PHY and the interface to fiber or SFP module.

DC/AC specification is according to Standard 802.3 and 802.3ab version 2008.

100 Base-T parameters are also described in standard ANSI X3.263.

11.6.5 XTAL/Clock Specification

The 25 MHz reference clock of the I210 can be supplied either from a crystal or from an external oscillator. The recommended solution is to use a crystal.

11.6.5.1 Crystal Specification

Table 11-15. Specification for External Crystal

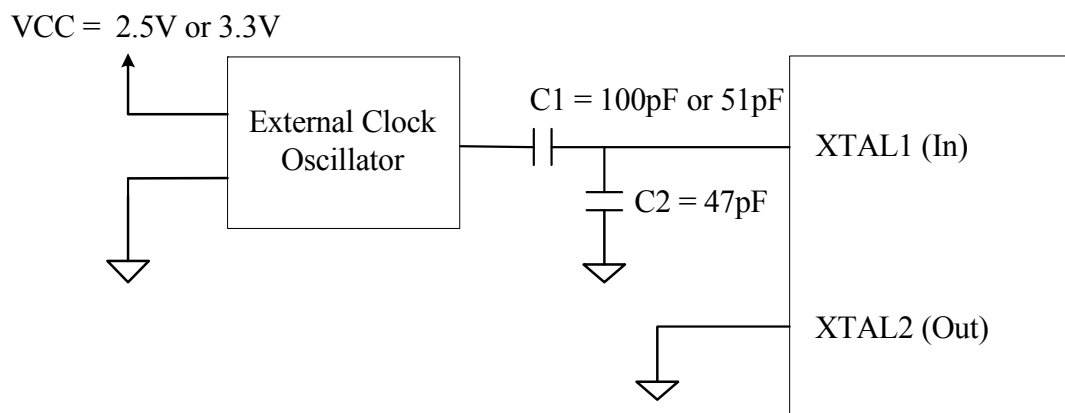
| Parameter Name | Symbol | Recommended Value | Conditions |
|------------------------------------|----------------------|----------------------------------|--------------------------------------|
| Frequency | f_o | 25.000 [MHz] | @25 [°C] |
| Vibration mode | | Fundamental | |
| Cut | | AT | |
| Operating /Calibration Mode | | Parallel | |
| Frequency Tolerance @25°C | $\Delta f/f_o$ @25°C | ±30 [ppm] | @25 [°C] |
| Temperature Tolerance | $\Delta f/f_o$ | ±30 [ppm] | |
| Operating Temperature | T_{opr} | 0 to +70 [°C] -40 to +85 [°C] | Commercial grade Industrial grade |
| Non Operating Temperature Range | T_{opr} | -30 to +85 [°C] | |
| Equivalent Series Resistance (ESR) | R_s | 50 [Ω] maximum | @25 [MHz] |
| Shunt Capacitance | C_o | 6 [pF] maximum | |

Table 11-15. Specification for External Crystal (Continued)

| Parameter Name | Symbol | Recommended Value | Conditions |
|---------------------|----------------|--------------------|------------|
| Load Capacitance | C_{load} | 16 pF | |
| Max Drive Level | D_L | 0.5 [mW] | |
| Aging | $\Delta f/f_0$ | ± 5 [ppm/year] | |
| External Capacitors | C_1, C_2 | 27 [pF] | |

11.6.5.2 External Clock Oscillator Specifications

When using an external oscillator the following connection must be used.


Figure 11-9. External Clock Oscillator Connectivity to The I210
Table 11-16. Specification for XTAL1 (In)

| Parameter Name | Symbol | Value | Conditions |
|------------------------------|----------------|----------------|------------|
| Voltage Input High (minimum) | $V_{IH} (min)$ | 1.4 [V] | |
| Voltage Input High (maximum) | $V_{IH} (max)$ | 2.0 [V] | |
| Target XTAL1 (In) amplitude | $V_{IH} (typ)$ | 1.7 [V] | |
| Voltage Input Low (maximum) | $V_{IL} (max)$ | 200 [mV] | |
| Input Impedance | | High impedance | |

Table 11-17. Specification for External Clock Oscillator

| Parameter Name | Symbol | Value | Conditions |
|--|----------------|--|--------------------------------------|
| Frequency | f_0 | 25.0 [MHz] | @25 [°C] |
| External OSC Supply Swing | V_{p-p} | 2.5 ± 0.25 [V] or 3.3 ± 0.33 [V] | |
| Frequency Tolerance | $\Delta f/f_0$ | ± 50 [ppm] | -20 to +70 [°C] |
| Operating Temperature | T_{opr} | 0 to +70 [°C] -40 to +85 [°C] | Commercial grade Industrial grade |
| Maximum jitter 12KHz-20 MHz RMS ¹ | | 1.5 [ps] | |

1. At the XTAL1 input.



11.6.6 Switching Voltage Regulator (SVR) Capacitor Electrical Specifications

The following table lists the electrical performance of the 0.9V/1.5V SVR.

| Parameter | Min | Typ | Max | Unit | Comments |
|---------------------------|------|------------|-------|------|--|
| Regulator input voltage | 2.97 | 3.3 | 3.465 | V | |
| Regulator output voltages | | 0.9 1.5 | | V | |
| Output Voltage Accuracy | | 5 | | % | Not including line and load regulation errors. |
| Load Current | 0 | | 175 | mA | 175mA (max) for each 0.9V and 1.5V rail. |
| Startup Time | 4 | 5 | 6 | ms | |
| Load Capacitor | | 20 | | µF | Ceramic bulk capacitors. |
| Flying Capacitor | | 39 | | nF | Located close to package related pins. |

11.7 Package

The I210 is assembled in one, single package type: 9 mm x 9 mm 64-pin QFN package.

11.7.1 Mechanical Specification for the 9 x 9 QFN Package

Table 11-18. I210 9 x 9 Package Mechanical Specifications

| Body Size | Pin Count | Pin Pitch | Ball Matrix | Center Matrix | Substrate |
|-----------|-----------|-----------|-----------------|------------------|------------------------------|
| 9 x 9 | 64 | 0.5 mm | N/A, peripheral | N/A, exposed pad | N/A, led frame-based package |

11.7.2 9 x 9 QFN Package Schematics

Refer to [Figure 2-2](#).

11.8 Flash Devices

While Intel does not make recommendations regarding these devices, the following devices might match to be used successfully. Minimum Flash size required is 8 Mb or 16 Mb, depending if an Expansion/Option ROM module is needed.

11.8.1 Flash

Type: SPI Flash



| Supported Flash Parts |
|--|
| <p>Winbond* Compatible:¹ W25X40BVSNI W25X80BVSNI W25Q40BVSNI W25Q80BVSNI W25Q16 W25Q32</p> <p>Winbond Validated:² W25Q80BVSSI. W25Q16DVSSI. W25X16A.</p> |
| <p>Micron* (Numonyx*) Compatible:¹ M25PE40 M25PE80 M25PX80 N25Q032</p> <p>Micron (Numonyx) Validated:² M25PX80VMW6G. M25PE80VMW6TG. N25Q032A13ESE40F.</p> |
| <p>Macronix* Compatible:¹ MX25L4005 MX25L8005 MX25L1633E. MX25L1633EM2I.</p> <p>Macronix Validated:² MX25L1633EM2I.</p> |
| <p>Microchip (SST)* Compatible:¹ SST25VF032B SST25VF040B-80-4I-SAE SST25VF080B-80-4I-SAE</p> <p>Microchip (SST) Validated:² SST25VF040B.</p> |
| <p>Atmel* Compatible:¹ AT25DF041A</p> <p>Atmel Validated:² AT25DF081A). AT25DF321A</p> |
| <p>EON* Validated:² EN25Q32B EN25QH16 EN25Q64</p> |
| <p>Fidelix* Validated:² FM25S16A</p> |
| <p>AMIC* Validated:² A25L040M</p> |



| Supported Flash Parts |
|--|
| Spansion* Validated:² S25FL008K0XMF |
| ESMT* Validated:² F25L04PA |

1. Compatible by design but not tested.
2. Validated Flash parts.



Note: This page intentionally left blank.



12.0 Design Considerations

This section provides general design considerations and recommendations when selecting components and connecting special pins to the I210. Intel recommends that these design considerations be used in conjunction with the following board design documents:

- Intel® Ethernet Controller I210_82574 – Schematics / Diagrams
- Intel® Ethernet Controller I210-IS – Schematics / Diagrams
- Intel® Ethernet Controller I210-AT_I211-AT – Schematics / Diagrams
- Intel® Ethernet Controller I210_82574 – Dual Layout Review Checklist
- Intel® Ethernet Controller I210-IS – Layout Review Checklist
- Intel® Ethernet Controller I210-AT/IT – Layout Review Checklist
- Intel® 82574_82583 Gigabit Ethernet Controller to I210_I211 – Design Guide

12.1 PCIe

12.1.1 Port Connection to the I210

PCIe is a dual simplex point-to-point serial differential low-voltage interconnect with a signaling bit rate of 2.5 Gb/s per direction. The I210's PCIe port consists of an integral group of transmitters and receivers. The link between the PCIe ports of two devices is a x1 lane that also consists of a transmitter and a receiver pair. Note that each signal is 8b/10b encoded with an embedded clock.

The PCIe topology consists of a transmitter (Tx) located on one device connected through a differential pair connected to the receiver (Rx) on a second device. The I210 can be located on a LOM or on an add-in card using a connector specified by PCIe.

The lane is AC-coupled between its corresponding transmitter and receiver. The AC-coupling capacitor is located on the board close to transmitter side. Each end of the link is terminated on the die into nominal 100 Ω differential DC impedance. Board termination is not required.

For more information on PCIe, refer to the *PCI Express* Base Specification, Revision 1.1*, *PCI Express* Card Electromechanical Specification, Revision 1.1RD*, and *PCIe v2.1 (2.5GT/s) Gen1 x 1*.

For information about the I210's PCIe power management capabilities, see [Section 5.0](#).

12.1.2 PCIe Reference Clock

The I210 uses a 100 MHz differential reference clock, denoted PECLKp and PECLKn. This signal is typically generated on the system board and routed to the PCIe port. For add-in cards, the clock is furnished at the PCIe connector.

The frequency tolerance for the PCIe reference clock is +/- 300 ppm.



12.1.3 Other PCIe Signals

The I210 also implements other signals required by the PCIe specification. The I210 signals power management events to the system using the PE_WAKE_N signal, which operates very similarly to the familiar PCI PME# signal. Finally, there is a PE_RST_N signal, which serves as the familiar reset function for the I210.

12.1.4 PCIe Routing

Contact your Intel representative for information regarding the PCIe signal routing.

12.2 Clock Source

All designs require a 25 MHz clock source. The I210 uses the 25 MHz source to generate clocks up to 125 MHz and 1.25 GHz for the PHY circuits. For optimum results with lowest cost, connect a 25 MHz parallel resonant crystal and appropriate load capacitors at the XTAL1 and XTAL2 leads. The frequency tolerance of the timing device should be 30 ppm or better. Refer to the Intel® Ethernet Controllers Timing Device Selection Guide for more information on choosing crystals.

For further information regarding the clock for the I210, refer to the sections about frequency control, crystals, and oscillators that follow.

12.2.1 Frequency Control Device Design Considerations

This section provides information regarding frequency control devices, including crystals and oscillators, for use with all Intel Ethernet controllers. Several suitable frequency control devices are available; none of which present any unusual challenges in selection. The concepts documented herein are applicable to other data communication circuits, including Platform LAN Connect devices (PHYs).

Intel Ethernet controllers contain amplifiers, which when used with the specific external components, form the basis for feedback oscillators. These oscillator circuits, which are both economical and reliable, are described in more detail in [Section 12.3.1](#).

The chosen frequency control device vendor should be consulted early in the design cycle. Crystal and oscillator manufacturers familiar with networking equipment clock requirements can provide assistance in selecting an optimum, low-cost solution.

12.2.2 Frequency Control Component Types

Several types of third-party frequency reference components are currently marketed. A discussion of each follows, listed in preferred order.

12.2.2.1 Quartz Crystal

Quartz crystals are generally considered to be the mainstay of frequency control components due to their low cost and ease of implementation. They are available from numerous vendors in many package types and with various specification options.



12.2.2.2 Fixed Crystal Oscillator

A packaged fixed crystal oscillator comprises an inverter, a quartz crystal, and passive components conveniently packaged together. The device renders a strong, consistent square wave output. Oscillators used with microprocessors are supplied in many configurations and tolerances.

Crystal oscillators should be restricted to use in special situations, such as shared clocking among devices or multiple controllers. As clock routing can be difficult to accomplish, it is preferable to provide a separate crystal for each device.

12.2.2.3 Programmable Crystal Oscillators

A programmable oscillator can be configured to operate at many frequencies. The device contains a crystal frequency reference and a phase lock loop (PLL) clock generator. The frequency multipliers and divisors are controlled by programmable fuses.

A programmable oscillator's accuracy depends heavily on the Ethernet device's differential transmit lines. The Physical Layer (PHY) uses the clock input from the device to drive a differential Manchester (for 10 Mb/s operation), an MLT-3 (for 100 Mbps operation) or a PAM-5 (for 1000 Mb/s operation) encoded analog signal across the twisted pair cable. These signals are referred to as self-clocking, which means the clock must be recovered at the receiving link partner. Clock recovery is performed with another PLL that locks onto the signal at the other end.

PLLs are prone to exhibit frequency jitter. The transmitted signal can also have considerable jitter even with the programmable oscillator working within its specified frequency tolerance. PLLs must be designed carefully to lock onto signals over a reasonable frequency range. If the transmitted signal has high jitter and the receiver's PLL loses its lock, then bit errors or link loss can occur.

PHY devices are deployed for many different communication applications. Some PHYs contain PLLs with marginal lock range and cannot tolerate the jitter inherent in data transmission clocked with a programmable oscillator. The American National Standards Institute (ANSI) X3.263-1995 standard test method for transmit jitter is not stringent enough to predict PLL-to-PLL lock failures, therefore, the use of programmable oscillators is not recommended.

12.2.2.4 Ceramic Resonator

Similar to a quartz crystal, a ceramic resonator is a piezoelectric device. A ceramic resonator typically carries a frequency tolerance of $\pm 0.5\%$, – inadequate for use with Intel Ethernet controllers, and therefore, should not be utilized.



12.3 Crystal Support

12.3.1 Crystal Selection Parameters

All crystals used with Intel Ethernet controllers are described as AT-cut, which refers to the angle at which the unit is sliced with respect to the long axis of the quartz stone. [Table 12-19](#) lists crystals which have been used successfully in other designs (however, no particular product is recommended):

Table 12-19. Crystal Manufacturers and Part Numbers

| Manufacturer | Part No. |
|-----------------------|--------------------------|
| KDS America | DSX321G |
| NDK America Inc. | 41CD25.0F1303018 |
| TXC Corporation - USA | 7A25000165 9C25000008 |

For information about crystal selection parameters, see [Section 11.6.5](#) and [Table 11-15](#).

12.3.1.1 Vibrational Mode

Crystals in the above-referenced frequency range are available in both fundamental and third overtone. Unless there is a special need for third overtone, use fundamental mode crystals.

At any given operating frequency, third overtone crystals are thicker and more rugged than fundamental mode crystals. Third overtone crystals are more suitable for use in military or harsh industrial environments. Third overtone crystals require a trap circuit (extra capacitor and inductor) in the load circuitry to suppress fundamental mode oscillation as the circuit powers up. Selecting values for these components is beyond the scope of this document.

12.3.1.2 Nominal Frequency

Intel Ethernet controllers use a crystal frequency of 25.000 MHz. The 25 MHz input is used to generate a 125 MHz transmit clock for 100BASE-TX and 1000BASE-TX operation – 10 MHz and 20 MHz transmit clocks, for 10BASE-T operation.

12.3.1.3 Frequency Tolerance

The frequency tolerance for an Ethernet Platform LAN Connect is dictated by the IEEE 802.3 specification as ± 50 parts per million (ppm). This measurement is referenced to a standard temperature of 25° C. Intel recommends a frequency tolerance of ± 30 ppm.

12.3.1.4 Temperature Stability and Environmental Requirements

Temperature stability is a standard measure of how the oscillation frequency varies over the full operational temperature range (and beyond). Several optional temperature ranges are currently available, including -40° C to +85° C for industrial environments. Some vendors separate operating temperatures from temperature stability. Manufacturers may also list temperature stability as 50 ppm in their data sheets.



Note: Crystals also carry other specifications for storage temperature, shock resistance, and reflow solder conditions. Crystal vendors should be consulted early in the design cycle to discuss the application and its environmental requirements.

12.3.1.5 Crystal Oscillation Mode

The terms series-resonant and parallel-resonant are often used to describe crystal oscillator circuits. Specifying parallel mode is critical to determining how the crystal frequency is calibrated at the factory.

A crystal specified and tested as series resonant oscillates without problem in a parallel-resonant circuit, but the frequency is higher than nominal by several hundred parts per million. The purpose of adding load capacitors to a crystal oscillator circuit is to establish resonance at a frequency higher than the crystal's inherent series resonant frequency.

Figure 12-10 shows the recommended placement and layout of an internal oscillator circuit. Note that pin X1 and X2 refers to XTAL1 and XTAL2 in the Ethernet device, respectively. The crystal and the capacitors form a feedback element for the internal inverting amplifier. This combination is called parallel-resonant, because it has positive reactance at the selected frequency. In other words, the crystal behaves like an inductor in a parallel LC circuit. Oscillators with piezoelectric feedback elements are also known as "Pierce" oscillators.

12.3.1.6 Load Capacitance and Discrete Capacitors

The formula for crystal load capacitance is as follows:

$$C_L = \frac{(C1 \cdot C2)}{(C1 + C2)} + C_{stray}$$

where:

C_L is the rated C_{load} of the crystal component and C1 and C2 are discrete crystal circuit capacitors.

C_{stray} allows for additional capacitance from solder pads, traces and the I210 package. Individual stray capacitance components can be estimated and added as parallel capacitances. Note that total C_{stray} is typically 3 pF to 7 pF.

Solve for the discrete capacitor values as follows:

$$C1 = C2 = 2 * [C_{load} - C_{stray}]$$

For example:

If total $C_{stray} = 4.0$ pF and if the C_{load} rating is 18 pF, then the calculated C1 and C2 = $2 * [18 \text{ pF} - 4.0 \text{ pF}] = 28$ pF.

Note: Because 28 pF is not a standard value, use 27 pF capacitors for C1 and C2, which is the closest standard value.

The oscillator frequency should be measured with a precision frequency counter where possible. The values of C1 and C2 should be fine tuned for the design. As the actual capacitive load increases, the oscillator frequency decreases.



Note: Intel recommends COG or NPO capacitors with a tolerance of $\pm 5\%$ (approximately ± 1 pF) or smaller.

12.3.1.7 Shunt Capacitance

The shunt capacitance parameter is relatively unimportant compared to load capacitance. Shunt capacitance represents the effect of the crystal's mechanical holder and contacts. The shunt capacitance should equal a maximum of 6 pF.

12.3.1.8 Equivalent Series Resistance

Equivalent Series Resistance (ESR) is the real component of the crystal's impedance at the calibration frequency, which the inverting amplifier's loop gain must overcome. ESR varies inversely with frequency for a given crystal family. The lower the ESR, the faster the crystal starts up. Use crystals with an ESR value of 50 Ω or better.

12.3.1.9 Drive Level

Drive level refers to power dissipation in use. The allowable drive level for a Surface Mounted Technology (SMT) crystal is less than its through-hole counterpart, because surface mount crystals are typically made from narrow, rectangular AT strips, rather than circular AT quartz blanks.

Some crystal data sheets list crystals with a maximum drive level of 1 mW. However, Intel Ethernet controllers drive crystals to a level less than the suggested 0.3 mW value. This parameter does not have much value for on-chip oscillator use.

12.3.1.10 Aging

Aging is a permanent change in frequency (and resistance) occurring over time. This parameter is most important in its first year because new crystals age faster than old crystals. Use crystals with a maximum of ± 5 ppm per year aging.

12.3.1.11 Reference Crystal

The normal tolerances of the discrete crystal components can contribute to small frequency offsets with respect to the target center frequency. To minimize the risk of tolerance-caused frequency offsets causing a small percentage of production line units to be outside of the acceptable frequency range, it is important to account for those shifts while empirically determining the proper values for the discrete loading capacitors, C1 and C2.

Even with a perfect support circuit, most crystals will oscillate slightly higher or slightly lower than the exact center of the target frequency. Therefore, frequency measurements (which determine the correct value for C1 and C2) should be performed with an ideal reference crystal. When the capacitive load is exactly equal to the crystal's load rating, an ideal reference crystal will be perfectly centered at the desired target frequency.

12.3.1.11.1 Reference Crystal Selection

There are several methods available for choosing the appropriate reference crystal:

- If a Saunders and Associates (S&A) crystal network analyzer is available, then discrete crystal components can be tested until one is found with zero or nearly zero ppm deviation (with the



appropriate capacitive load). A crystal with zero or near zero ppm deviation will be a good reference crystal to use in subsequent frequency tests to determine the best values for C1 and C2.

- If a crystal analyzer is not available, then the selection of a reference crystal can be done by measuring a statistically valid sample population of crystals, which has units from multiple lots and approved vendors. The crystal, which has an oscillation frequency closest to the center of the distribution, should be the reference crystal used during testing to determine the best values for C1 and C2.
- It may also be possible to ask the approved crystal vendors or manufacturers to provide a reference crystal with zero or nearly zero deviation from the specified frequency when it has the specified load capacitance.

When choosing a crystal, customers must keep in mind that to comply with IEEE specifications for 10/100 and 10/100/1000Base-T Ethernet LAN, the transmitter reference frequency must be precise within ± 50 ppm. Intel recommends customers to use a transmitter reference frequency that is accurate to within ± 30 ppm to account for variations in crystal accuracy due to crystal manufacturing tolerance.

12.3.1.11.2 Circuit Board

Since the dielectric layers of the circuit board are allowed some reasonable variation in thickness, the stray capacitance from the printed board (to the crystal circuit) will also vary. If the thickness tolerance for the outer layers of dielectric are controlled within ± 17 percent of nominal, then the circuit board should not cause more than ± 2 pF variation to the stray capacitance at the crystal. When tuning crystal frequency, it is recommended that at least three circuit boards are tested for frequency. These boards should be from different production lots of bare circuit boards.

Alternatively, a larger sample population of circuit boards can be used. A larger population will increase the probability of obtaining the full range of possible variations in dielectric thickness and the full range of variation in stray capacitance.

Next, the exact same crystal and discrete load capacitors (C1 and C2) must be soldered onto each board, and the LAN reference frequency should be measured on each circuit board.

The circuit board, which has a LAN reference frequency closest to the center of the frequency distribution, should be used while performing the frequency measurements to select the appropriate value for C1 and C2.

12.3.1.11.3 Temperature Changes

Temperature changes can cause the crystal frequency to shift. Therefore, frequency measurements should be done in the final system chassis across the system's rated operating temperature range.

12.3.2 Crystal Placement and Layout Recommendations

Crystal clock sources should not be placed near I/O ports or board edges. Radiation from these devices can be coupled into the I/O ports and radiate beyond the system chassis. Crystals should also be kept away from the Ethernet magnetics module to prevent interference.

Note: Failure to follow these guidelines could result in the 25 MHz clock failing to start.

When designing the layout for the crystal circuit, the following rules must be used:

- Place load capacitors as close as possible (within design-for-manufacturability rules) to the crystal solder pads. They should be no more than 90 mils away from crystal pads.

- The two load capacitors, crystal component, the Ethernet controller device, and the crystal circuit traces must all be located on the same side of the circuit board (maximum of one via-to-ground load capacitor on each XTAL trace).
- Use 27 pF (5% tolerance) 0402 load capacitors.
- Place load capacitor solder pad directly in line with circuit trace (see Figure 12-10, point A).
- Use 50 Ω impedance single-ended microstrip traces for the crystal circuit.
- Route traces so that electro-magnetic fields from XTAL2 do not couple onto XTAL1. Do not route as differential traces.
- Route XTAL1 and XTAL2 traces to nearest inside corners of crystal pad (see Figure 12-10, point B).
- Ensure that the traces from XTAL1 and XTAL2 are symmetrically routed and that their lengths are matched.
- The total trace length of XTAL1 or XTAL2 should be less than 750 mils.



Figure 12-10. Recommended Crystal Placement and Layout

12.4 Oscillator Support

The I210 clock input circuit is optimized for use with an external crystal. However, an oscillator can also be used in place of the crystal with the proper design considerations (see Table 11-17 for detail clock oscillator specifications):

- The clock oscillator has an internal voltage regulator of 1.5 Vdc to isolate it from the external noise of other circuits to minimize jitter. If an external clock is used, this imposes a maximum input clock amplitude of 1.5 Vdc. For example, if a 3.3 Vdc oscillator is used, its signal should be attenuated to a maximum of 1.5 Vdc with a capacitive divider circuit. Refer to the reference schematics for more details.



- The input capacitance introduced by the I210 (approximately 20 pF) is greater than the capacitance specified by a typical oscillator (approximately 15 pF).
- The input clock jitter from the oscillator can impact the I210 clock and its performance.

Note: The power consumption of additional circuitry equals about 1.5 mW.

Table 12-20 lists oscillators that can be used with the I210. Please note that no particular oscillator is recommended):

Table 12-20. Oscillator Manufacturers and Part Numbers

| Manufacturer | Part No. |
|--------------------------|-----------------------------|
| NDK AMERICA INC | 2560TKA-25M |
| TXC CORPORATION - USA | 6N25000160 or 7W25000025 |
| CITIZEN AMERICA CORP | CSX750FJB25.000M-UT |
| Raltron Electronics Corp | CO4305-25.000-T-TR |
| MtronPTI | M214TCN |
| Kyocera Corporation | KC5032C-C3 |

12.4.1 Oscillator Placement and Layout Recommendations

Oscillator clock sources should not be placed near I/O ports or board edges. Radiation from these devices can be coupled into the I/O ports and radiate beyond the system chassis. Oscillators should also be kept away from the Ethernet magnetics module to prevent interference.



12.5 Ethernet Interface

12.5.1 Magnetics for 1000 BASE-T

Magnetics for the I210 can be either integrated or discrete.

The magnetics module has a critical effect on overall IEEE and emissions conformance. The device should meet the performance required for a design with reasonable margin to allow for manufacturing variation. Occasionally, components that meet basic specifications can cause the system to fail IEEE testing because of interactions with other components or the printed circuit board itself. Carefully qualifying new magnetics modules prevents this problem.

When using discrete magnetics it is necessary to use Bob Smith termination: Use four 75 Ω resistors for cable-side center taps and unused pins. This method terminates pair-to-pair common mode impedance of the CAT5 cable.

Use an EFT capacitor attached to the termination plane. Suggested values are 1500 pF/2 KV or 1000 pF/3 KV. A minimum of 50-mil spacing from capacitor to traces and components should be maintained.

12.5.2 Magnetics Module Qualification Steps

The steps involved in magnetics module qualification are similar to those for crystal qualification:

1. Verify that the vendor's published specifications in the component datasheet meet or exceed the specifications in [Section 11.6](#).
2. Independently measure the component's electrical parameters on the test bench, checking samples from multiple lots. Check that the measured behavior is consistent from sample to sample and that measurements meet the published specifications.
3. Perform physical layer conformance testing and EMC (FCC and EN) testing in real systems. Vary temperature and voltage while performing system level tests.

12.5.3 Third-Party Magnetics Manufacturers

The following magnetics modules have been used successfully in previous designs.

| Manufacturer | Type | Part Number |
|--------------|-------------------|----------------------|
| Amphenol | ICM | RJMG2310228A0NRAO3-R |
| Bel | Discrete | S588-5999-P3 |
| E&E | LP discrete | 824-00400R |
| Foxconn | ICM | JFM38U1C-L1U1W |
| Midcom | Discrete | 7093-37R-LF1 |
| Pulse | LP discrete | H5019DNL |
| Tyco | ICM | 1368398-2 |
| Pulse | Standard discrete | H5007NL |



12.5.4 Discrete/Integrated Magnetics Specifications

| | | |
|--|--|--|
| | For 60 seconds | 2250 Vdc (min) |
| Open Circuit Inductance (OCL) or OCL (alternate) | With 8 mA DC bias at 25 °C | 400 μ H (min) |
| | With 8 mA DC bias at 0 °C to 70 °C | 350 μ H (min) |
| Insertion Loss | 100 KHz through 999 kHz | 1 dB (max) |
| | 1.0 MHz through 60 MHz | 0.6 dB (max) |
| | 60.1 MHz through 80 MHz | 0.8 dB (max) |
| | 80.1 MHz through 100 MHz | 1.0 dB (max) |
| | 100.1 MHz through 125 MHz | 2.4 dB (max) |
| Return Loss | 1.0 MHz through 40 MHz 40.1 MHz through 100 MHz | 18 dB (min) 12 to 20 * LOG (frequency in MHz / 80) dB (min) |
| | When reference impedance is 85 Ω , 100 Ω , and 115 Ω . Note that return loss values might vary with MDI trace lengths. The LAN magnetics might need to be measured in the platform where it is used. | |
| Crosstalk Isolation Discrete Modules | 1.0 MHz through 29.9 MHz | -50.3+(8.8*(freq in MHz / 30)) dB (max) |
| | 30 MHz through 250 MHz | -26-(16.8*(LOG(freq in MHz / 250))) dB (max) |
| | 250.1 MHz through 375 MHz | -26 dB (max) |
| Crosstalk Isolation Integrated Modules | 1.0 MHz through 10 MHz | -50.8+(8.8*(freq in MHz / 10)) dB (max) |
| | 10.1 MHz through 100 MHz | -26-(16.8*(LOG(freq in MHz / 100))) dB (max) |
| | 100.1 MHz through 375 MHz | -26 dB (max) |
| Diff to CMR | 1.0 MHz through 29.9 MHz | -40.2+(5.3*((freq in MHz / 30)) dB (max) |
| | 30 MHz through 500 MHz | -22-(14*(LOG((freq in MHz / 250)))) dB (max) |
| CM to CMR | 1.0 MHz through 270 MHz | -57+(38*((freq in MHz / 270)) dB (max) |
| | 270.1 MHz through 300 MHz | -17-2*((300-(freq in MHz) / 30) dB (max) |
| | 300.1 MHz through 500 MHz | -17 dB (max) |

12.5.5 Designing the I210 as a 10/100 Mb/s Only Device

To connect the I210 as a 10/100 Mb/s only device:

1. Set bit 4 of the Software Defined Pins Control (LAN Base Address + Word 0x20) to 0b. Setting bit 4 to 1b disables 1000 Mb/s (GbE) operation in all power modes (see [Section 6.2.21](#)).
2. Connect MDI pair 0 (pins 57 and 58) and MDI pair 1 (pins 54 and 55) to your magnetics. MDI pair 2 (pins 52 and 53) and MDI pair 3 (pins 49 and 50) can each be pulled up to 1.9 V dc through a 50 Ω resistor or connected to the magnetics as a GbE device if it is desired at a later time to enable GbE by altering bit 4 of the Software Defined Pins Control (LAN Base Address + Word 0x20; Giga Disable). See [Figure 12-11](#) and [Figure 12-12](#) for details.
3. Use one of the approved discrete GbE magnetics that were tested with the I210 (refer to [Section 12.5.3](#)). Note that Intel has not tested any 10/100 magnetics with the I210.

Note: If you must use 10/100 magnetics in your design with the I210, the magnetics must have a Common Mode Choke (CMC) in the receive path.

The I210 supports auto-MDIX; this feature CANNOT be disabled. If there is no CMC in the receive path, the system most likely will not pass regulatory radiated emission tests when MDI-X mode is used.

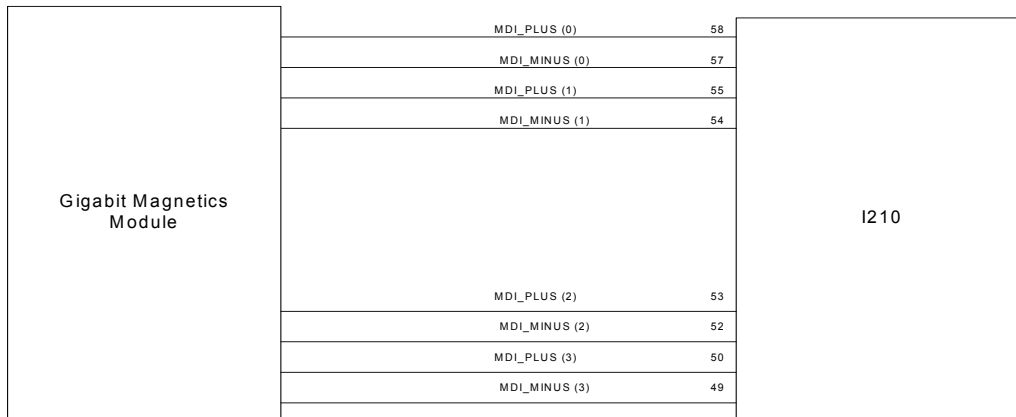


Figure 12-11. I210 Gigabit Magnetics Module Connections

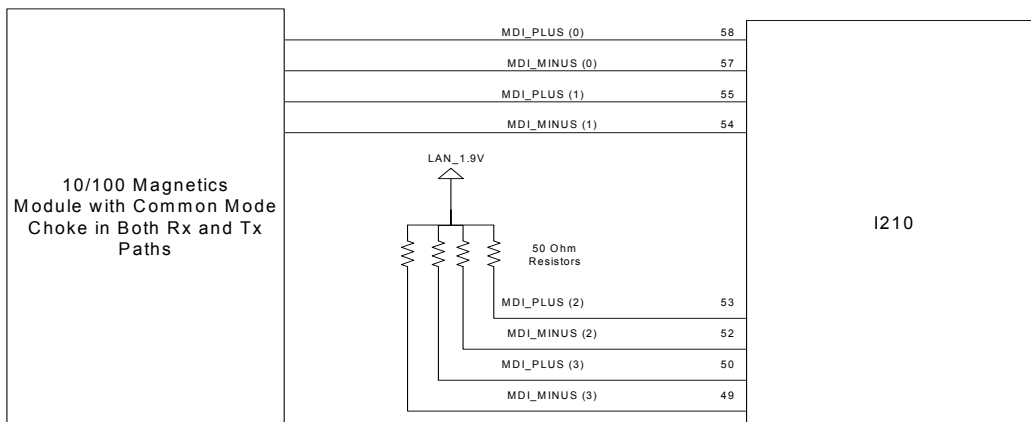




Figure 12-12.I210 10/100 Mb/s Magnetics Module Connections (With CMC)

12.5.6 Layout Considerations for the Ethernet Interface

These sections provide recommendations for performing printed circuit board layouts. Good layout practices are essential to meet IEEE PHY conformance specifications and EMI regulatory requirements.

Critical signal traces should be kept as short as possible to decrease the likelihood of being affected by high frequency noise from other signals, including noise carried on power and ground planes. Keeping the traces as short as possible can also reduce capacitive loading.

Since the transmission line medium extends onto the printed circuit board, special attention must be paid to layout and routing of the differential signal pairs.

Designing for 1000 BASE-T GbE operation is very similar to designing for 10 and 100 Mb/s. For the I210, system level tests should be performed at all three speeds.

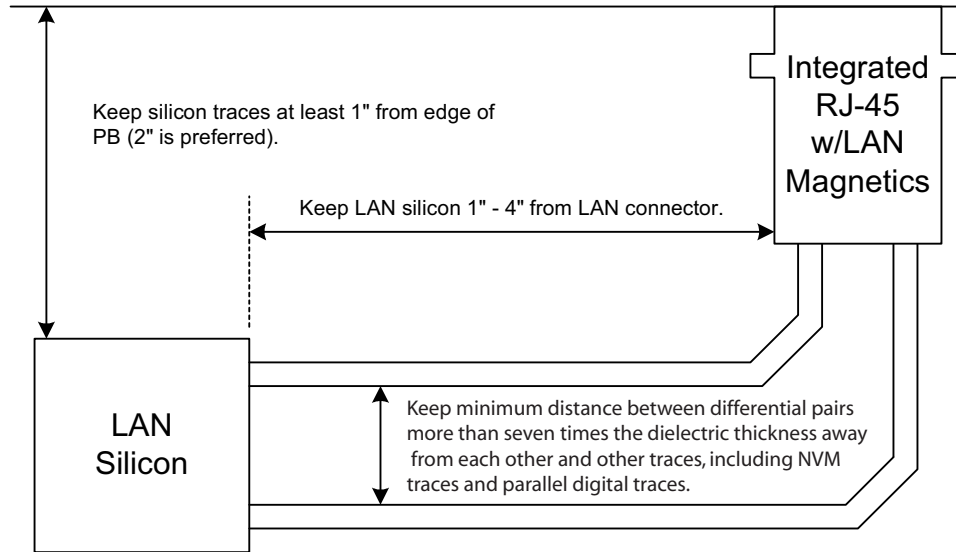
12.5.6.1 Guidelines for Component Placement

Component placement can affect signal quality, emissions, and component operating temperature. This section provides guidelines for component placement.

Careful component placement can:

- Decrease potential problems directly related to electromagnetic interference (EMI), which could cause failure to meet applicable government test specifications.
- Simplify the task of routing traces. To some extent, component orientation will affect the complexity of trace routing. The overall objective is to minimize turns and crossovers between traces.

Minimizing the amount of space needed for the Ethernet LAN interface is important because other interfaces compete for physical space on a motherboard near the connector. The Ethernet LAN circuits need to be as close as possible to the connector.



Note: Figure 12-13 represents a 10/100 diagram. Use the same design considerations for the two differential pairs not shown for gigabit implementations.

Figure 12-13. General Placement Distances for 1000 BASE-T Designs

Figure 12-13 shows some basic placement distance guidelines. Figure 12-13 shows two differential pairs, but can be generalized for a GbE system with four analog pairs. The ideal placement for the Ethernet silicon would be approximately one inch behind the magnetics module.

While it is generally a good idea to minimize lengths and distances, Figure 12-13 also illustrates the need to keep the LAN silicon away from the edge of the board and the magnetics module for best EMI performance.

12.5.6.2 Layout Guidelines for Use with Integrated and Discrete Magnetics

Layout requirements are slightly different when using discrete magnetics.

These include:

- Ground cut for HV installation (not required for integrated magnetics)
- A maximum of two (2) vias
- Turns less than 45°
- Discrete terminators

Figure 12-14 shows a reference layout for discrete magnetics.

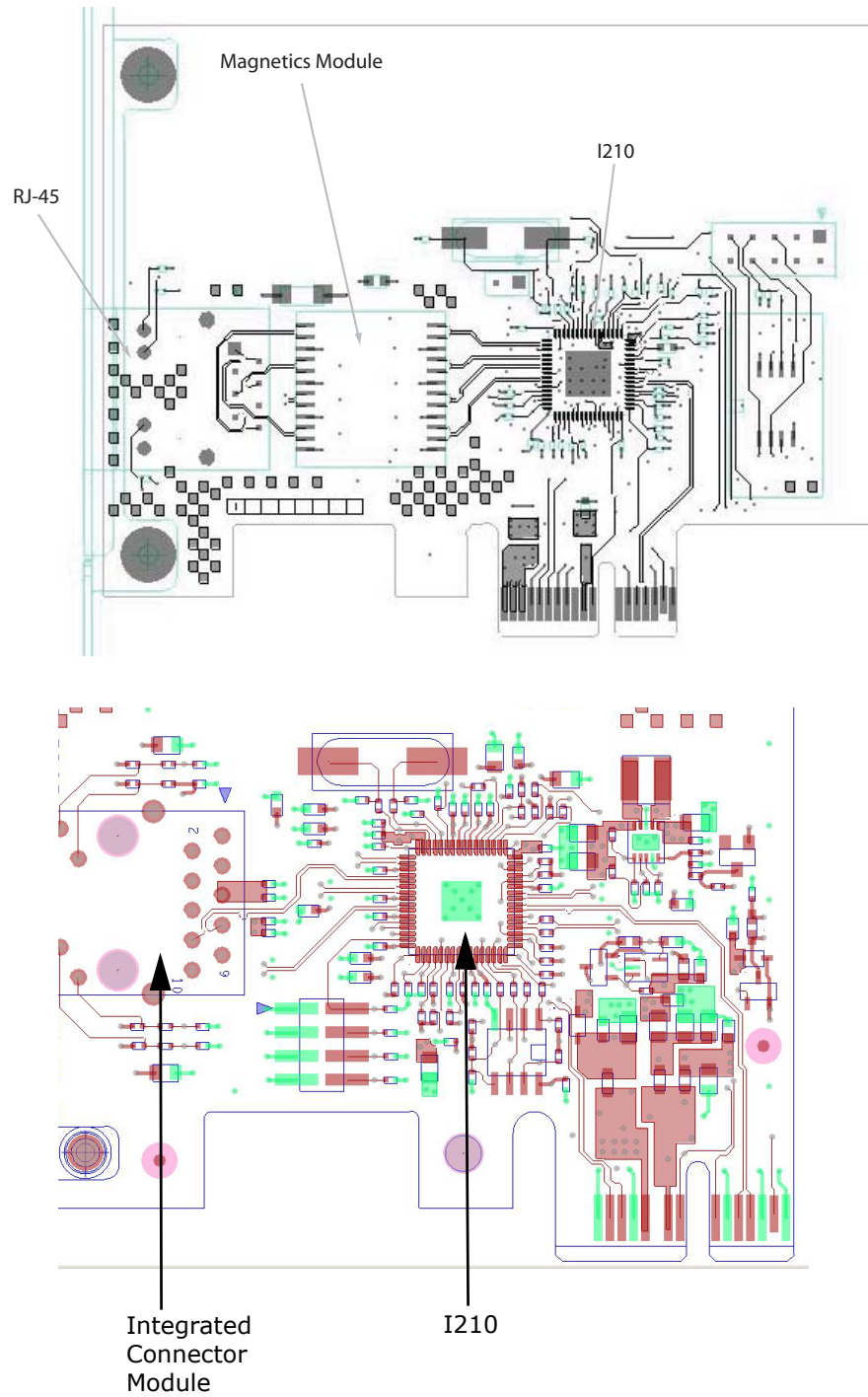


Figure 12-14. Layout for Discrete Magnetics



12.5.6.3 Board Stack-Up Recommendations

Printed circuit boards for these designs typically have four, six, eight, or more layers. Although, the I210 does not dictate the stack up, here is an example of a typical six-layer board stack up:

- Layer 1 is a signal layer. It can contain the differential analog pairs from the Ethernet device to the magnetics module.
- Layer 2 is a signal ground layer. Chassis ground may also be fabricated in Layer 2 under the connector side of the magnetics module.
- Layer 3 is used for power planes.
- Layer 4 is a signal layer.
- Layer 5 is an additional ground layer.
- Layer 6 is a signal layer. For 1000 BASE-T (copper) GbE designs, it is common to route two of the differential pairs (per port) on this layer.

This board stack up configuration can be adjusted to conform to specific OEM design rules.



12.5.6.4 Differential Pair Trace Routing for 10/100/1000 Designs

Trace routing considerations are important to minimize the effects of crosstalk and propagation delays on sections of the board where high-speed signals exist. Signal traces should be kept as short as possible to decrease interference from other signals, including those propagated through power and ground planes. Observe the following suggestions to help optimize board performance:

- Maintain constant symmetry and spacing between the traces within a differential pair.
- Minimize the difference in signal trace lengths of a differential pair.
- Keep the total length of each differential pair under four inches. Although possible, designs with differential traces longer than five inches are much more likely to have degraded receive Bit Error Rate (BER) performance, IEEE PHY conformance failures, and/or excessive Electromagnetic Interference (EMI) radiation.
 - Consider using a second I210 instead of a LAN switch and long MDI traces. It is difficult to achieve excellent performance with long traces and analog LAN switches. An optimization effort is required to tune the system and magnetics modules.
- Keep differential pairs more than seven times the dielectric thickness away from each other and other traces, including Flash traces and parallel digital traces or other disturbing traces.
- Keep in-pair trace separation to 7 mils to maintain highly-coupled signaling.
- For high-speed signals, the number of corners and vias should be kept to a minimum. If a 90° bend is required, it is recommended to use two 45° bends instead. Refer to [Figure 12-15](#).

Note: In manufacturing, vias are required for testing and troubleshooting purposes. The via size should be a 17-mil (± 2 mils for manufacturing variance) finished hole size (FHS).

- Traces should be routed away from board edges by a distance greater than the trace height above the reference plane. This allows the field around the trace to couple more easily to the ground plane rather than to adjacent wires or boards.
- Do not route traces and vias under crystals or oscillators. This prevents coupling to or from the clock. And as a general rule, place traces from clocks and drives at a minimum distance from apertures by a distance that is greater than the largest aperture dimension.

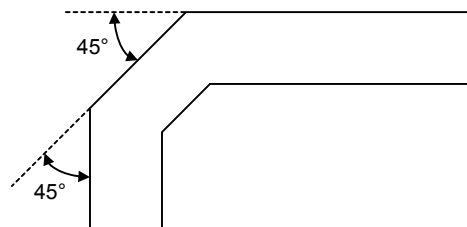


Figure 12-15. Trace Routing

- The reference plane for the differential pairs should be continuous and low impedance. It is recommended that the reference plane be either ground or 0.9 Vdc (the voltage used by the PHY). This provides an adequate return path for and high frequency noise currents.
- Do not route differential pairs over splits in the associated reference plane as it might cause discontinuity in impedances.



12.5.6.5 Signal Termination and Coupling

The I210 has internal termination on the MDI signals. External resistors are not needed. Adding pads for external resistors can degrade signal integrity.

12.5.6.6 Signal Trace Geometry for 1000 BASE-T Designs

The key factors in controlling trace EMI radiation are the trace length and the ratio of trace-width to trace-height above the reference plane. To minimize trace inductance, high-speed signals and signal layers that are close to a reference or power plane should be as short and wide as practical. Ideally, this trace width to height above the ground plane ratio is between 1:1 and 3:1. To maintain trace impedance, the width of the trace should be modified when changing from one board layer to another if the two layers are not equidistant from the neighboring planes.

Each pair of signal should have a differential impedance of 100 Ω . +/- 15%. Refer to the Intel® 1G Servers and Client LANs – Copper Loss Calculator for more details.

When performing a board layout, do not allow the CAD tool auto-router to route the differential pairs without intervention. In most cases, the differential pairs will have to be routed manually.

Note: Measuring trace impedance for layout designs targeting 100 Ω often results in lower actual impedance. Designers should verify actual trace impedance and adjust the layout accordingly. If the actual impedance is consistently low, a target of 105 – 110 Ω should compensate for second order effects.

It is necessary to compensate for trace-to-trace edge coupling, which can lower the differential impedance by up to 10 Ω , when the traces within a pair are closer than 30 mils (edge to edge).

12.5.6.7 Trace Length and Symmetry for 1000 BASE-T Designs

As indicated earlier, the overall length of differential pairs should be less than four inches measured from the Ethernet device to the magnetics.

The differential traces (within each pair) should be equal in total length to within 50 mils (1.25 mm) and as symmetrical as possible. Asymmetrical and unequal length traces in the differential pairs contribute to common mode noise. If a choice has to be made between matching lengths and fixing symmetry, more emphasis should be placed on fixing symmetry. Common mode noise can degrade the receive circuit's performance and contribute to radiated emissions.

12.5.6.8 Magnetics Center Tap

The I210 includes a voltage mode driver so it doesn't require an analog powered center tap. The decoupling capacitors for the central tap pins should be placed as close as possible to the magnetic component. This improves EMI compliance.

12.5.6.9 Impedance Discontinuities

Impedance discontinuities cause unwanted signal reflections. Minimize vias (signal through holes) and other transmission line irregularities. If vias must be used, a reasonable budget is two per differential trace. Unused pads and stub traces should also be avoided.



12.5.6.10 Reducing Circuit Inductance

Traces should be routed over a continuous reference plane with no interruptions. If there are vacant areas on a reference or power plane, the signal conductors should not cross the vacant area. This causes impedance mismatches and associated radiated noise levels. Noisy logic grounds should be separated from analog signal grounds to reduce coupling. Noisy logic grounds can sometimes affect sensitive DC subsystems such as analog to digital conversion, operational amplifiers, etc. All ground vias should be connected to every ground plane; and similarly, every power via, to all power planes at equal potential. This helps reduce circuit inductance. Another recommendation is to physically locate grounds to minimize the loop area between a signal path and its return path. Rise and fall times should be as slow as possible. Because signals with fast rise and fall times contain many high frequency harmonics, which can radiate significantly. The most sensitive signal returns closest to the chassis ground should be connected together. This will result in a smaller loop area and reduce the likelihood of crosstalk. The effect of different configurations on the amount of crosstalk can be studied using electronics modeling software.

12.5.6.11 Signal Isolation

To maintain best signal integrity, keep digital signals far away from the analog traces. A good rule of thumb is no digital signal should be within 300 mils (7.5 mm) of the differential pairs. If digital signals on other board layers cannot be separated by a ground plane, they should be routed perpendicular to the differential pairs. If there is another LAN controller on the board, take care to keep the differential pairs from that circuit away.

Some rules to follow for signal isolation:

- Separate and group signals by function on separate layers if possible. Keep a minimum distance between differential pairs more than seven times the dielectric thickness away from each other and other traces, including NVM traces and parallel digital traces.
- Physically group together all components associated with one clock trace to reduce trace length and radiation.
- Isolate I/O signals from high-speed signals to minimize crosstalk, which can increase EMI emission and susceptibility to EMI from other signals.
- Avoid routing high-speed LAN traces near other high-frequency signals associated with a video controller, cache controller, processor, or other similar devices.

12.5.6.12 Traces for Decoupling Capacitors

Traces between decoupling and I/O filter capacitors should be as short and wide as practical. Long and thin traces are more inductive and would reduce the intended effect of decoupling capacitors. Also for similar reasons, traces to I/O signals and signal terminations should be as short as possible. Vias to the decoupling capacitors should be sufficiently large in diameter to decrease series inductance.

12.5.6.13 Light Emitting Diodes for Designs Based on the I210

The I210 provides three programmable high-current push-pull (default active low) outputs to directly drive LEDs for link activity and speed indication. Each LAN device provides an independent set of LED outputs. Each of the four LED outputs can be individually configured to select the particular event, state, or activity, which is indicated on that output. In addition, each LED can be individually configured for output polarity, as well as for blinking versus non-blinking (steady-state) indication.

Since the LEDs are likely to be integral to a magnetics module, take care to route the LED traces away from potential sources of EMI noise. In some cases, it might be desirable to attach filter capacitors.



The LED ports are fully programmable through the Flash interface.

12.5.7 Physical Layer Conformance Testing

Physical layer conformance testing (also known as IEEE testing) is a fundamental capability for all companies with Ethernet LAN products. PHY testing is the final determination that a layout has been performed successfully. If your company does not have the resources and equipment to perform these tests, consider contracting the tests to an outside facility.

12.5.7.1 Conformance Tests for 10/100/1000 Mb/s Designs

Crucial tests are as follows, listed in priority order:

- Bit Error Rate (BER). Good indicator of real world network performance. Perform bit error rate testing with long and short cables and many link partners. The test limit is 10^{-11} errors.
- Output Amplitude, Rise and Fall Time (10/100 Mb/s), Symmetry and Droop (1 GbE). For the I210, use the appropriate PHY test waveform.
- Return Loss. Indicator of proper impedance matching, measured through the RJ-45 connector back toward the magnetics module.
- Jitter Test (10/100 Mb/s) or Unfiltered Jitter Test (1000 Mb/s). Indicator of clock recovery ability (master and slave for a GbE controller).

12.5.8 Troubleshooting Common Physical Layout Issues

The following is a list of common physical layer design and layout mistakes in LAN On Motherboard (LOM) designs.

1. Lack of symmetry between the two traces within a differential pair. Asymmetry can create common-mode noise and distort the waveforms. For each component and/or via that one trace encounters, the other trace should encounter the same component or a via at the same distance from the Ethernet silicon.
2. Unequal length of the two traces within a differential pair. Inequalities create common-mode noise and will distort the transmit or receive waveforms.
3. Excessive distance between the Ethernet silicon and the magnetics. Long traces on FR4 fiberglass epoxy substrate attenuates the analog signals. In addition, any impedance mismatch in the traces will be aggravated if they are longer than the four inch guideline.
4. Routing any other trace parallel to and close to one of the differential traces. Crosstalk getting onto the receive channel causes degraded long cable BER. Crosstalk getting onto the transmit channel can cause excessive EMI emissions and can cause poor transmit BER on long cables. At a minimum, other signals should be kept 0.3 inches from the differential traces.
5. Routing one pair of MDI differential traces too close to another pair of differential traces. After exiting the Ethernet silicon, the spacing between the trace pairs should be kept about 6 times the dielectric height for stripline and 7 times the dielectric height for microstrip. Refer to the appropriate design layout checklist for more details. The only possible exceptions are in the vicinities where the traces enter or exit the magnetics, the RJ-45 connector, and the Ethernet silicon.
6. Use of a low-quality magnetics module.
7. Re-use of an out-of-date physical layer schematic in a Ethernet silicon design. The terminations and decoupling can be different from one PHY to another.



8. Incorrect differential trace impedances. It is important to have $\sim 100 \Omega$ impedance between the two traces within a differential pair. This becomes even more important as the differential traces become longer. To calculate differential impedance, many impedance calculators only multiply the single-ended impedance by two. This does not take into account edge-to-edge capacitive coupling between the two traces. When the two traces within a differential pair are kept close to each other, the edge coupling can lower the effective differential impedance by 5Ω to 20Ω . Short traces have fewer problems if the differential impedance is slightly off target.

12.6 SMBus and NC-SI

SMBus and NC-SI are optional interfaces for pass-through and/or configuration traffic between the MC and I211. See [section 3.4](#) and [section 3.5](#) for more details.

This section describes the hardware implementation requirements necessary to meet the NC-SI physical layer standard. Board-level design requirements are included for connecting I211 Ethernet solution to an external MC. The layout and connectivity requirements are addressed in low-level detail. This section, in conjunction with the *Network Controller Sideband Interface (NC-SI) Specification Version 1.0 RMI Specification*, also provides the complete board-level requirements for the NC-SI solution.

The I210's on-board System Management Bus (SMBus) port enables network manageability implementations required for remote control and alerting via the LAN. With SMBus, management packets can be routed to or from an MC. Enhanced pass-through capabilities also enable system remote control over standardized interfaces. Also included is a new manageability interface, NC-SI that supports the DMTF preOS sideband protocol. An internal management interface called MDIO enables the MAC (and software) to monitor and control the PHY.

12.6.1 NC-SI Electrical Interface Requirements

12.6.1.1 External MC

The external MC is required to meet the latest NC-SI specification as it relates to the RMI electrical interface.

12.6.1.2 NC-SI Reference Schematics

[Figure 12-16](#) shows the single-drop application connectivity requirements. [Figure 12-17](#) shows the multi-drop application connectivity requirements. [Figure 11-16](#) shows the hardware arbitration connectivity requirements. Refer to the latest NC-SI specification for any additional connectivity requirements.

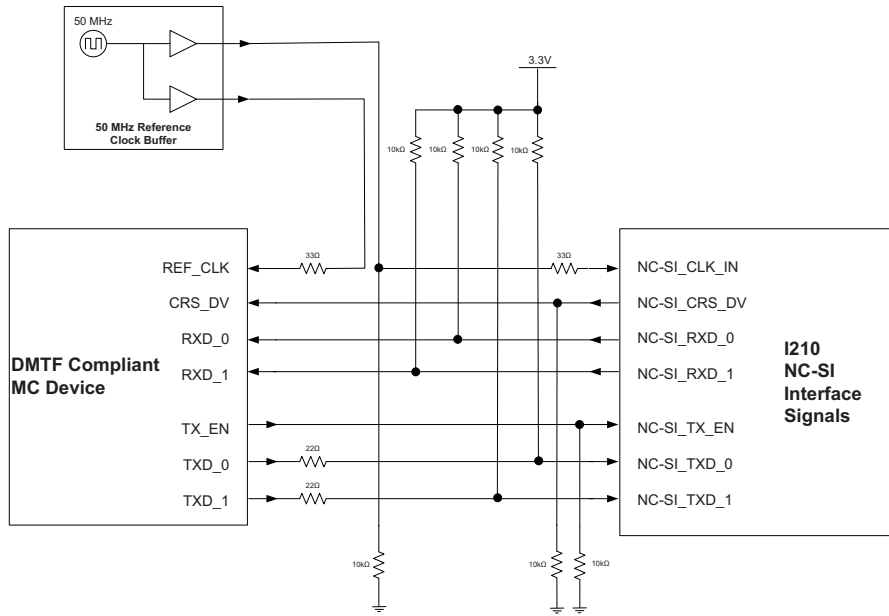


Figure 12-16. NC-SI Connection Requirements - Single-Drop Configuration

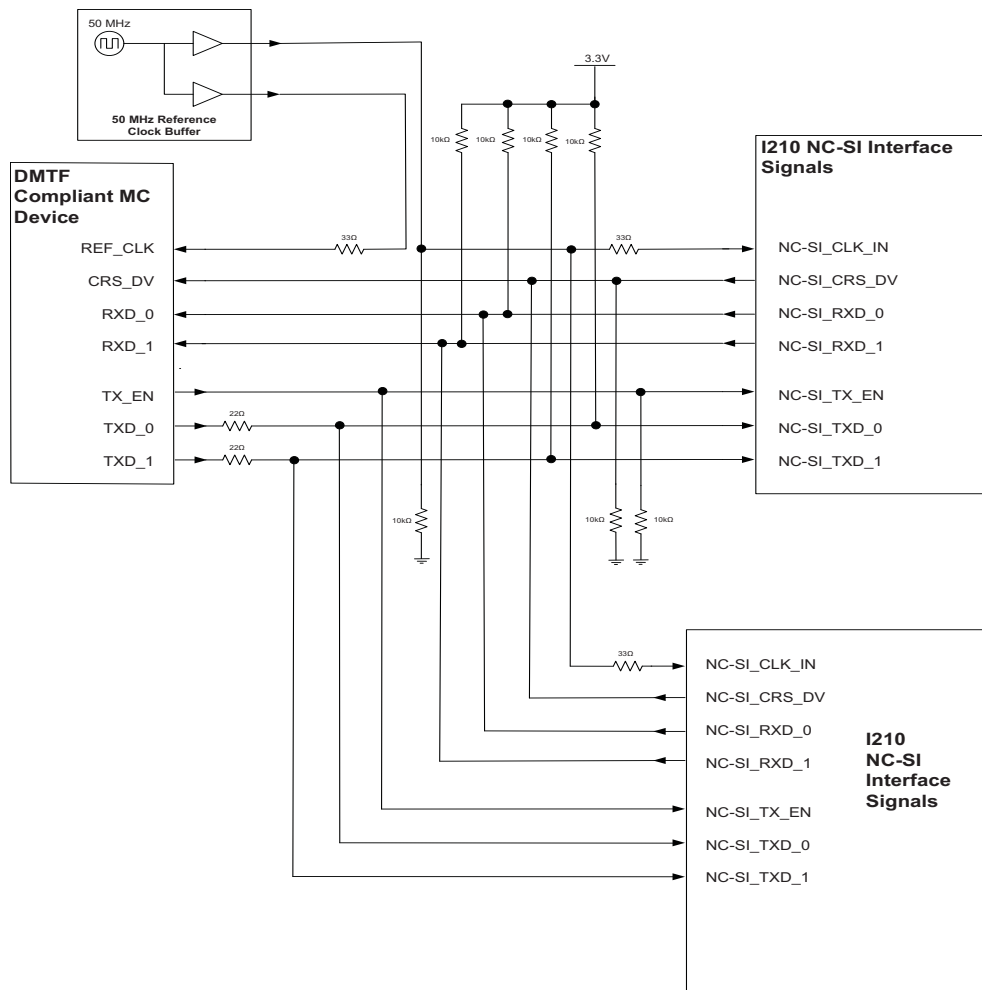


Figure 12-17. NC-SI Connection Requirements - Multi-Drop Configuration

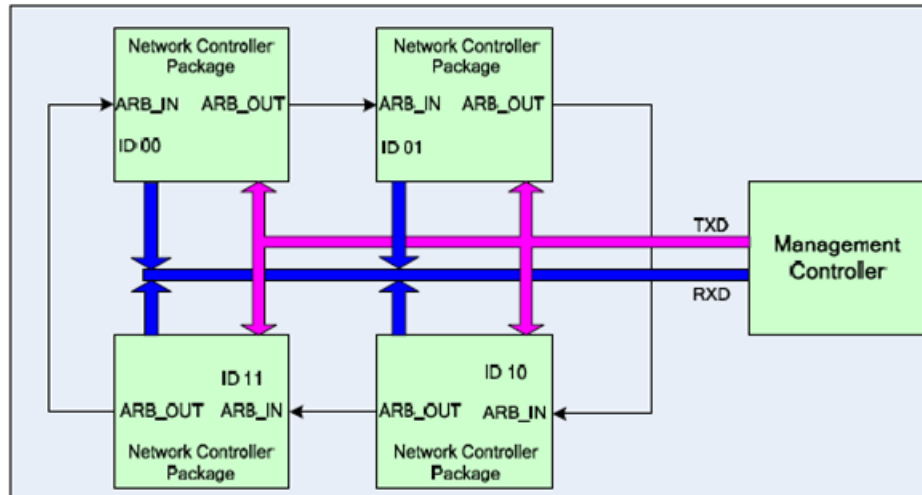


Figure 12-18. NC-SI Connection Requirements - Hardware Arbitration

12.6.1.3 Resets

It is important to ensure that the resets for the MC and I211 are generated within a specific time interval. The important requirement here is ensuring that the NC-SI link is established within two seconds of the MC receiving the power good signal from the platform. Both I211 and the external MC need to receive power good signals from the platform within one second of each other.

This causes an internal power on reset within I211 and then initialization as well as a triggering and initialization sequence for the MC. Once these power good signals are received by both I211 and the external MC, the NC-SI interface can be initialized. The NC-SI specification calls out a requirement of link establishment within two seconds. The MC should poll this interface and establish a link for two seconds to ensure specification compliance.

12.6.1.4 Layout Requirements

12.6.1.4.1 Board Impedance

The NC-SI signaling interface is a single-ended signaling environment with a target board and trace impedance of $50\ \Omega$; plus 20% and minus 10% is recommended. This target impedance ensures optimal signal integrity and signal quality.

12.6.1.4.2 Trace Length Restrictions

Intel recommends a trace length maximum value from a board placement and routing topology perspective of eight inches for direct connect applications (Figure 12-19). This ensures that signal integrity and quality is preserved from a design perspective and that compliance is met for the NC-SI electrical requirements.

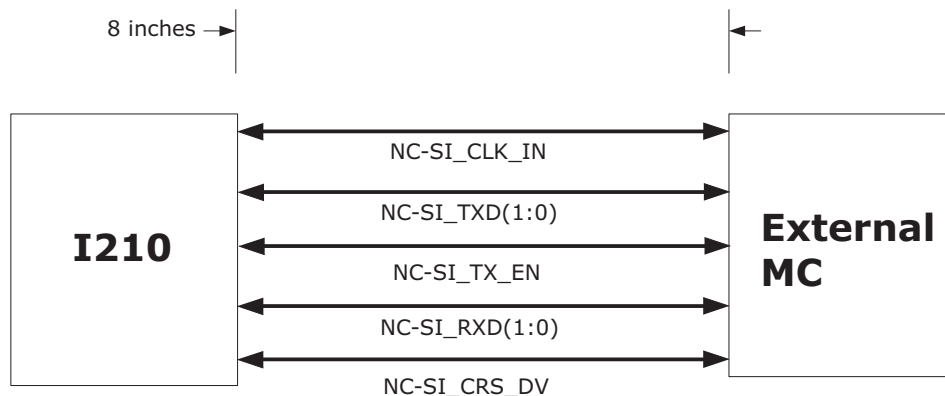


Figure 12-19. NC-SI Trace Length Requirement for Direct Connect

For multi-drop applications (Figure 12-20) the spacing recommendation is a maximum of four inches. This keeps the overall length between the MC and I211 within the specification.

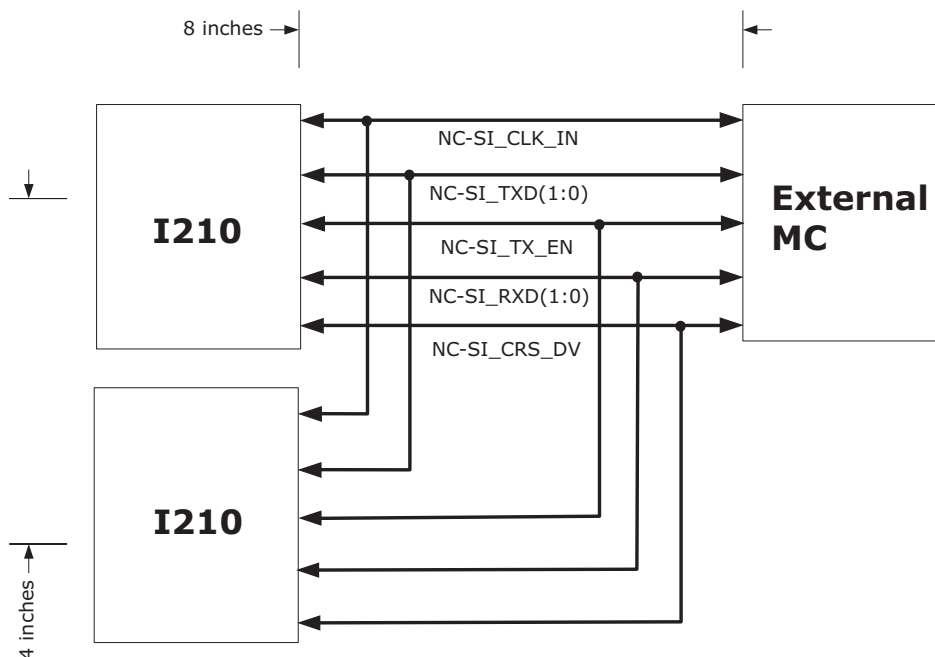


Figure 12-20. NC-SI Trace Length Requirement for Multi-Drop



12.7 I210 Power Supplies

The I210 requires three power rails: 3.3 Vdc, 1.5 Vdc, and 0.9 Vdc. Intel recommends that board designers use the integrated switching voltage regulators derived from a single 3.3 Vdc supply to reduce Bill of Material (BOM) costs. A central power supply can provide the required voltage sources designed by a system power engineer. If the LAN wake capability is used, all voltages must remain present during system power down. External voltage regulators need to generate the proper voltage, supply current requirements (with adequate margin), and provide the proper power sequencing.

Refer to [Section 12.7.2](#) for detailed information about power supply sequencing rules.

12.7.1 Power Delivery Solutions

Figure 12-21 shows the intended design options for power delivery solutions. See [Section 11.3](#) for more details.

Table 12-21. I210 Power Supply Pinouts (SerDes)

| Symbol | Lead # | Type / Voltage | Name and Function |
|--------|--------|----------------|---|
| VDD3p3 | 51 | 3.3V | Pin 51: In BASE-T, 3.3V analog power supply to GPHY; in SerDes, 1.5V analog power supply to SGMII SerDes. |
| VDD1p5 | 56 | 1.5V | Pin 56: In BASE-T, 1.5V analog power supply to GPHY; in SerDes, not connected. |

Note: Follow the power sequencing instructions described in [Section 12.7.2](#).

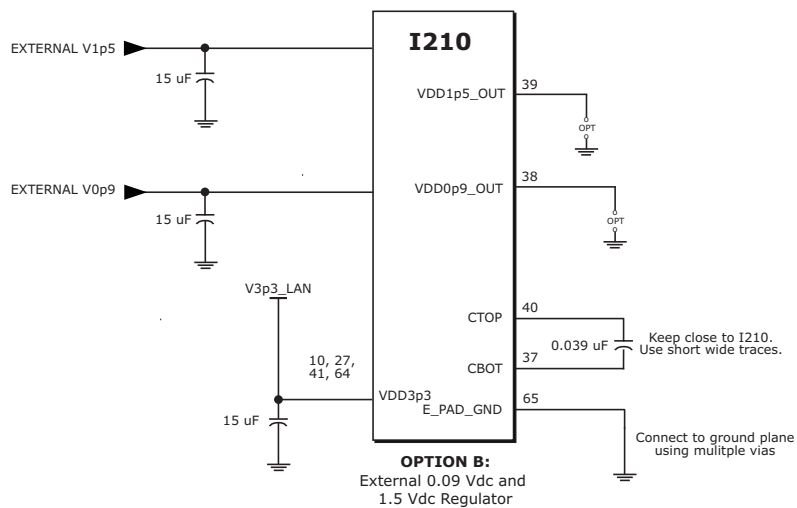
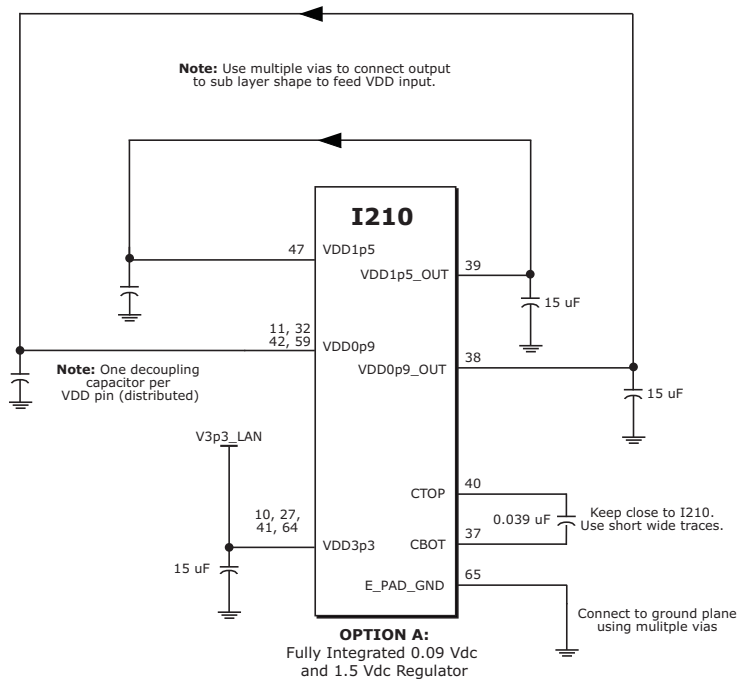


Figure 12-21. Power Delivery Solutions

12.7.2 Ethernet Controller I210 Power Sequencing

Designs must comply with power sequencing requirements to avoid latch-up and forward-biased internal diodes (see [Figure 12-22](#)).

The general guideline for sequencing is:

1. Power up the 3.3 Vdc rail.
2. Power up the 1.5 Vdc next.
3. Power up the 0.9 Vdc rail last.

For power down, there is no requirement (only charge that remains is stored in the decoupling capacitors).

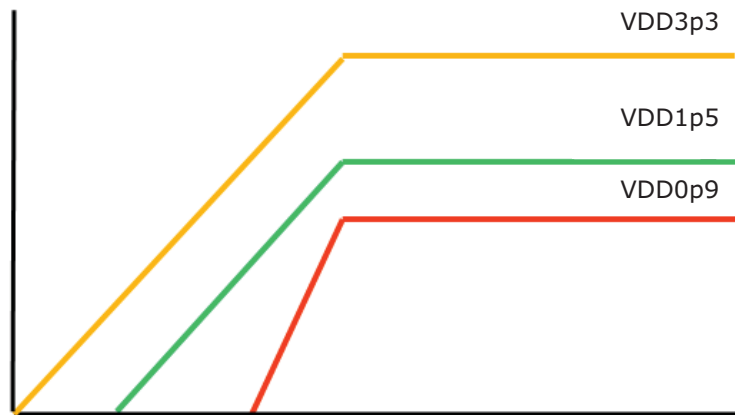


Figure 12-22.Power Sequencing Guideline

12.7.2.1 Power Up Sequence (External Voltage Regulator)

The board designer controls the power up sequence with the following stipulations (see [Figure 12-23](#)):

- 1.5 Vdc must not exceed 3.3 Vdc by more than 0.3 Vdc.
- 0.9 Vdc must not exceed 1.5 Vdc by more than 0.3 Vdc.
- 0.9 Vdc must not exceed 3.3 Vdc by more than 0.3 Vdc.

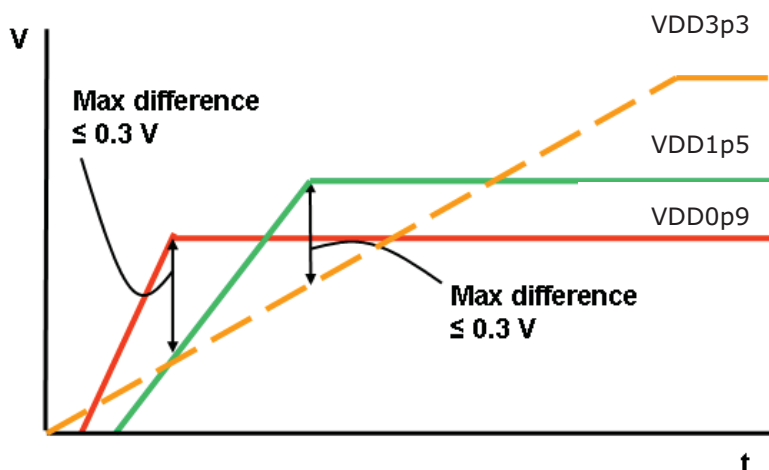


Figure 12-23. External Voltage Regulator Power-up Sequence

12.7.2.2 Power Up-Sequence (Internal SVR)

The I210 controls the power-up sequence internally and automatically with the following conditions (see Figure 12-24):

- 3.3 Vdc must be the source for the internal LVR.
- 1.5 Vdc never exceeds 3.3 Vdc.
- 0.9 Vdc never exceeds 3.3 Vdc or 1.5 Vdc.

The ramp is delayed internally, with T_{delay} depending on the rising slope of the 3.3 Vdc ramp (see Table 11-2).

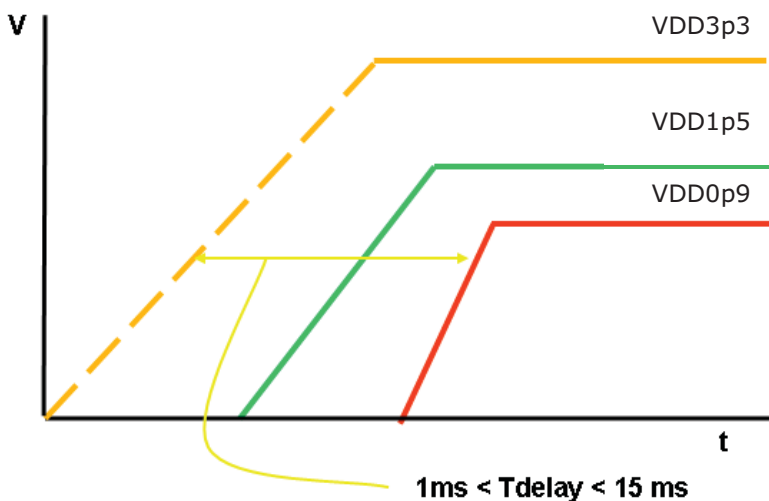


Figure 12-24. Internal SVR Power-Up Sequence



12.7.3 Power and Ground Planes

Good grounding requires minimizing inductance levels in the interconnections and keeping ground returns short, signal loop areas small, and power inputs bypassed to signal return, will significantly reduce EMI radiation.

The following guidelines help reduce circuit inductance in both backplanes and motherboards:

- Route traces over a continuous plane with no interruptions. Do not route over a split power or ground plane. If there are vacant areas on a ground or power plane, avoid routing signals over the vacant area. This increases inductance and EMI radiation levels.
- Separate noisy digital grounds from analog grounds to reduce coupling. Noisy digital grounds may affect sensitive DC subsystems.
- All ground vias should be connected to every ground plane; and every power via should be connected to all power planes at equal potential. This helps reduce circuit inductance.
- Physically locate grounds between a signal path and its return. This minimizes the loop area.
- Avoid fast rise/fall times as much as possible. Signals with fast rise and fall times contain many high frequency harmonics, which can radiate EMI.
- The ground plane beneath a magnetics module should be split. The RJ45 connector side of the transformer module should have chassis ground beneath it.
- Power delivery traces should be a minimum of 20 mils wide at all places from the source to the destination with neck down at package pins. The distribution of power is better done with a copper plane or shape under the PHY. This provides low inductance connectivity to decoupling capacitors. Decoupling capacitors should be placed as close as possible to the point of use and should avoid sharing vias with other decoupling capacitors. Decoupling capacitor placement control should be done for the PHY as well as any external regulators if used.
- An SVR fly capacitor should be preferentially placed near pin 37 and 40 with wide traces to limit in-line inductance.
- SVR output routing: AVDD09_VR_O (pin 38) should be connected with wide traces and plane shape using more than one via for a layer change to VDD09 pins. The net should have recommended bulk and decoupling capacitance strongly joined into this route. AVDD15_VR_O (pin 39) has similar requirements but has lower currents so it might require only wide traces and a single via for any layer change.

12.8 Device Disable

For a LOM design, it might be desirable for the system to provide BIOS-setup capability for selectively enabling or disabling LOM devices. This enables designers more control over system resource-management, avoid conflicts with add-in NIC solutions, etc. The I210 provides support for selectively enabling or disabling it.

Device disable is initiated by asserting the asynchronous DEV_OFF_N pin. The DEV_OFF_N pin has an internal pull-up resistor, so that it can be left not connected to enable device operation.

While in device disable mode, the PCIe link is in L3 state. The PHY is in power down mode. Output buffers are tri-stated.

Assertion or deassertion of PCIe PE_RST_N does not have any effect while the I210 is in device disable mode (that is, the I210 stays in the respective mode as long as DEV_OFF_N is asserted). However, the I210 might momentarily exit the device disable mode from the time PCIe PE_RST_N is de-asserted again and until the Flash is read.

During power-up, the DEV_OFF_N pin is ignored until the NVM is read. From that point, the I210 might enter device disable if DEV_OFF_N is asserted.



Note: The DEV_OFF_N pin should maintain its state during system reset and system sleep states. It should also insure the proper default value on system power up. For example, a designer could use a GPIO pin that defaults to 1b (enable) and is on system suspend power. For example, it maintains the state in S0-S5 ACPI states).

12.8.1 BIOS Handling of Device Disable

Assume that in the following power-up sequence the DEV_OFF_N signal is driven high (or it is already disabled)

1. The PCIe is established following the GIO_PWR_GOOD.
2. BIOS recognizes that the entire I210 should be disabled.
3. The BIOS drives the DEV_OFF_N signal to the low level.
4. As a result, the I210 samples the DEV_OFF_N signals and enters either the device disable mode.
5. The BIOS could put the link in the Electrical IDLE state (at the other end of the PCIe link) by clearing the *Link Disable* bit in the Link Control register.
6. BIOS might start with the device enumeration procedure (the entire I210 functions are invisible).
7. Proceed with normal operation
8. Re-enable could be done by driving high the DEV_OFF_N signal, followed later by bus enumeration.

12.9 Assembly Process Flow

Figure 12-25 shows the typical process flow for mounting packages to the PCB.

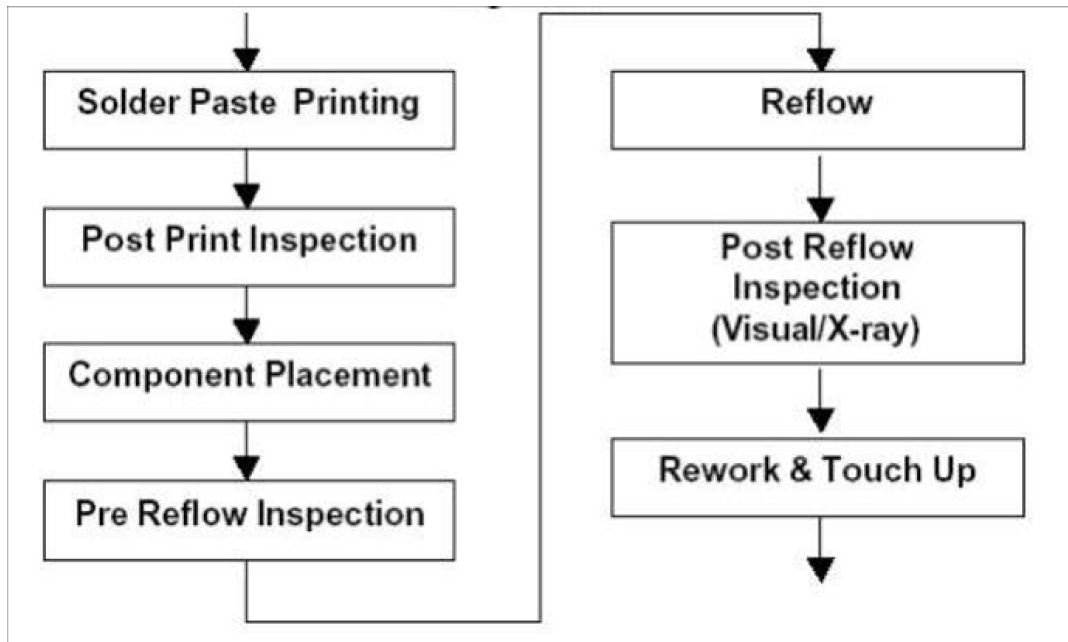


Figure 12-25. Assembly Flow

12.10 Reflow Guidelines

The typical reflow profile consists of four sections. In the preheat section, the PCB assembly should be preheated at the rate of 1 to 2 °C/sec to start the solvent evaporation and to avoid thermal shock. The assembly should then be thermally soaked for 60 to 120 seconds to remove any volatile solder paste and for activation of flux. The reflow section of the profile, the time above liquidus should be between 45 to 60 seconds with a peak temperature in the range of 245 to 250 °C, and the duration at the peak should not exceed 30 seconds. Finally, the assembly should undergo cool down in the fourth section of the profile. A typical profile band is provided in Figure 12-26, in which 220 °C is referred to as an approximation of the liquidus point. The actual profile parameters depend upon the solder paste used and specific recommendations from the solder paste manufacturers should be followed.

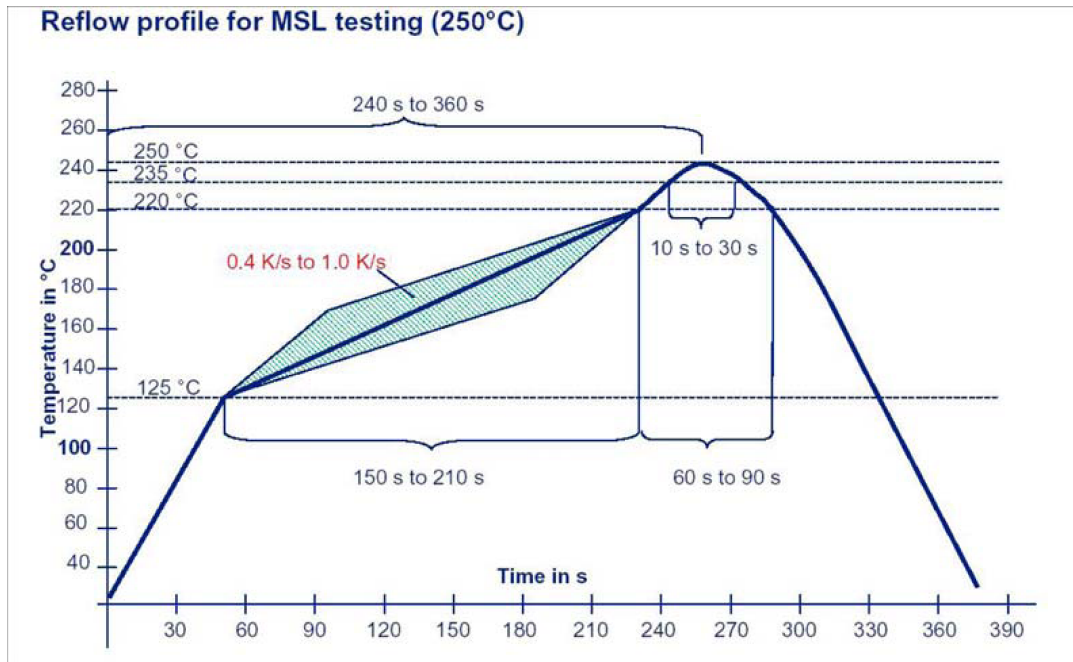


Figure 12-26. Typical Profile Band

Note:

1. Preheat: 125 °C - 220 °C, 150 - 210 s at 0.4 k/s to 1.0 k/s
2. Time at T > 220 °C: 60 - 90 s
3. Peak Temperature: 245-250 °C
4. Peak time: 10 - 30 s
5. Cooling rate: ≤ 6 k/s
6. Time from 25 °C to Peak: 240 - 360 s

12.11 XOR Testing

A common board or system-level manufacturing test for proper electrical continuity between the I210 and the board is some type of cascaded-XOR or NAND tree test. The I210 implements an XOR tree spanning most I/O signals. The component XOR tree consists of a series of cascaded XOR logic gates, each stage feeding in the electrical value from a unique pin. The output of the final stage of the tree is visible on an output pin from the component.

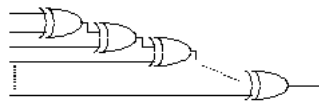


Figure 12-27.XOR Tree Concept

By connecting to a set of test-points or bed-of-nails fixture, a manufacturing test fixture can test connectivity to each of the component pins included in the tree by sequentially testing each pin, testing each pin when driven both high and low, and observing the output of the tree for the expected signal value and/or change.

Note: Some of the pins that are inputs for the XOR test are listed as “may be left disconnected” in the pin descriptions. If XOR test is used, all inputs to the XOR tree must be connected.

When the XOR tree test is selected, the following behaviors occur:

- Output drivers for the pins listed as “tested” are all placed in high-impedance (tri-state) state to ensure that board/system test fixture can drive the tested inputs without contention.
- Internal pull-up and pull-down devices for pins listed as “tested” are also disabled to further ensure no contention with the board/system test fixture.
- The XOR tree is output on the LED1 pin.

To enter the XOR tree mode, a specific JTAG pattern must be sent to the test interface. This pattern is described by the following TDF pattern: (dh = Drive High, dl = Drive Low)

```
dh (TEST_EN, JTAG_TDI) dl(JTAG_TCK,JTAG_TMS);

dh(JTAG_TCK);
dl(JTAG_TCK);

dh(JTAG_TMS);

loop 2
dh(JTAG_TCK);
dl(JTAG_TCK);
end loop

dl(JTAG_TMS);

loop 2
dh(JTAG_TCK);
dl(JTAG_TCK);
end loop
```



```
d1(JTAG_TDI);  
dh(JTAG_TCK);  
d1(JTAG_TCK);
```

```
dh(JTAG_TDI);  
dh(JTAG_TCK);  
d1(JTAG_TCK);
```

```
d1(JTAG_TDI);  
dh(JTAG_TCK);  
d1(JTAG_TCK);
```

```
dh(JTAG_TDI);  
dh(JTAG_TCK);  
d1(JTAG_TCK);
```

```
d1(JTAG_TDI);  
dh(JTAG_TCK);  
d1(JTAG_TCK);
```

```
dh(JTAG_TDI);  
dh(JTAG_TMS);  
dh(JTAG_TCK);  
d1(JTAG_TCK);
```

```
d1(JTAG_TMS);  
dh(JTAG_TCK);  
d1(JTAG_TCK);
```

```
dh(JTAG_TMS);  
dh(JTAG_TCK);  
d1(JTAG_TCK);  
dh(JTAG_TCK);  
d1(JTAG_TCK);
```

```
d1(JTAG_TMS);  
dh(JTAG_TCK);  
d1(JTAG_TCK);
```

```
hold(JTAG_TMS, TEST_EN, JTAG_TCK, JTAG_TDI);
```

Note: XOR tree reads left-to-right top-to-bottom.



Table 12-22. I210 Tested Pins Included in XOR Tree (17 pins)

| Pin Name | Pin Name | Pin Name |
|--------------|-------------------------------|--------------|
| LED2 | SMB_DAT | SMB_ALRT_N |
| SMB_CLK | NC_SI_TXD1 | NC_SI_TXD0 |
| NC_SI_RXD1 | NC_SI_RXD0 | NC_SI_CRS_DV |
| NC_SI_CLK_IN | NVM_SI | NC_SI_TX_EN |
| NVM_SK | NVM_SO | NVM_CS_N |
| LED0 | LED1 (output of the XOR tree) | |



Note: This page intentionally left blank.





13.0 Thermal Considerations

This section helps design a thermal solution for systems implementing the I210. It details the maximum allowable operating junction and case temperatures and provides the methodology necessary to measure these values. It also outlines the results of thermal simulations of the I210 in a standard JEDEC test environment with a 2s2p board using various thermal solutions.

13.1 Intended Audience

The intended audience for this section is system design engineers using the I210. System designers are required to address component and system-level thermal challenges as the market continues to adopt products with higher speeds and port densities. New designs might be required to provide more effective cooling solutions for silicon devices depending on the type of system and target operating environment

13.2 Considerations

In a system environment, the temperature of a component is a function of both the system and component thermal characteristics. System-level thermal constraints consist of the local ambient temperature at the component, the airflow over the component and surrounding board, and the physical constraints at, above, and surrounding the component that might limit the size of a thermal solution.

The component's case and die temperature are the result of:

- Component power dissipation
- Component size
- Component packaging materials
- Type of interconnection to the substrate and motherboard
- Presence of a thermal cooling solution
- Power density of the substrate, nearby components, and motherboard

All of these parameters are pushed by the continued trend of technology to increase performance levels (higher operating speeds, MHz) and power density (more transistors). As operating frequencies increase and package size decreases, the power density increases and the thermal cooling solution space and airflow become more constrained. The result is an increased emphasis on optimizing system design to ensure that thermal design requirements are met for each component in the system.



13.3 Thermal Management Importance

The objective of thermal management is to ensure that all system component temperatures are maintained within their functional limits. The functional temperature limit is the range in which the electrical circuits are expected to meet specified performance requirements. Operation outside the functional limit can degrade system performance, cause logic errors, or cause device and/or system damage. Temperatures exceeding the maximum operating limits can result in irreversible changes in the device operating characteristics. Also note that sustained operation at a component maximum temperature limit can affect long-term device reliability.

13.4 Terminology and Definitions

The following is a list of the terminology that is used in this section and their definitions:

QFN: Quad Flatpack No leads: A surface-mount package using a QFN structure whose PCB-interconnect method consists of Pb-free perimeter lands and an exposed thermal pad on the interconnect side of the package that are attached to a near chip-scale size substrate.

2s2p: A 4-layer board with two signal layers on the outside and two internal plane layers.

Thermal Resistance: The resulting change in temperature per watt of heat that passes from one reference point to another.

Junction: Refers to a P-N (diode) junction on the silicon. In this document, it is used as a temperature reference point (for example, Θ_{JA} refers to the "junction" to "ambient" thermal resistance).

Ambient: Refers to the local ambient temperature of the bulk air approaching the component. It can be measured by placing a thermocouple approximately 1 inch upstream from the component edge.

Lands: The pads on the PCB to which BGA balls are soldered.

PCB: Printed circuit board.

Printed Circuit Assembly (PCA): A PCB that has components assembled on it.

Thermal Design Power (TDP): The estimated maximum possible/expected power generated in a component by a realistic application. TDP is a system design target associated with the maximum component operating temperature specifications. Maximum power values are determined based on typical DC electrical specification and maximum ambient temperature for a worst-case realistic application running at maximum utilization.

LFM: A measure of airflow velocity in Linear Feet per Minute.

Θ_{JA} (Theta JA): Thermal resistance from component junction to ambient, °C/W.

Ψ_{JT} (Psi JT): Junction-to-top (of package) thermal characterization parameter, °C/W. Ψ_{JT} does not represent thermal resistance, but instead is a characteristic parameter that can be used to convert between T_j and T_{case} when knowing the total TDP. Ψ_{JT} is easy to characterize in simulations or measurements and is defined as follows: $\psi_{JT} = \frac{T_j - T_{case}}{TDP}$. This parameter can vary with environmental conditions, such as airflow, thermal solution presence, and design



13.5 Package Thermal/Mechanical Specifications and Limit

13.5.1 Thermal Limits - Max Junction/Case

To ensure proper operation of the I210, the thermal solution must dissipate the heat generated by the component and maintain a case temperature at or below the values listed in [Table 13-23](#).

The I211 is designed to operate properly as long as the T_{case} rating is not exceeded. [Section 13.7.1](#) discusses proper guidelines for measuring the case temperature.

Table 13-23. Absolute Maximum Case Temperature

| Measured TDP (W) | $T_{case-max}$ (°C) |
|------------------------------------|---------------------|
| 0.74 W @ 70 °C Ambient Temperature | 85 |
| 0.80 W @ 85 °C Ambient Temperature | 105 |

The thermal limits listed in [Table 13-23](#) are based on simulated results of the package assembled on a standard multi-layer, 2s2p board with 1oz internal planes and 2oz external trace layers in a forced convection environment. The maximum case temperature is based on the maximum junction temperature and defined by the relationship, $T_{case-max} = T_{j-max} - (\Psi_{JT} * P_{TDP})$ where Ψ_{JT} is the junction-to-top (of package) thermal characterization parameter. If the case temperature exceeds the specified $T_{case-max}$, thermal enhancements such as heat sinks or forced air is required.

Analysis indicates that real applications are unlikely to cause the I210 to be at $T_{case-max}$ for sustained periods of time, given a properly designed thermal solution. Sustained operation at $T_{case-max}$ might affect long-term reliability of the I210 and the system and thus should be avoided.

13.5.2 Thermal Specifications

The following table lists the package specific parameters under different conditions and environments. The values Θ_{JA} and Ψ_{JT} should be used as reference only as they will vary by system environment and thermal solution. Unless otherwise noted, the simulations were run in a JEDEC environment with a four layer (2s2p), 76.2 mm x 114.3 mm board with no heat sink.

| Parameter | Equation | Conditions | No Heat Sink (°C/W) |
|---------------|-------------------------------|------------|---------------------|
| Θ_{JA} | P = TDP | No Airflow | 30.7 |
| | | 1 m/s | 20.9 |
| | | 2 m/s | 19.1 |
| | | 3 m/s | 18.2 |
| Ψ_{JT} | $\frac{T_j - T_A}{P}$ P = TDP | No Airflow | 0.06 |
| | | 1 m/s | 0.31 |
| | | 2 m/s | 0.48 |
| | | 3 m/s | 0.63 |



13.5.3 Simulation Setup

A simulation environment conforming to the JEDEC JESD51-2 standard was developed using a 101.5 mm x 114.5 mm, 2s2p according to JEDEC JESD 51-9. Simulations were run with different combinations of ambient temperature and airflow speed one solution scenario, as follows:

- No heat sink

Note: Keep the following in mind when reviewing the data that is included in this section:

- All data is preliminary and is not validated against physical samples.
- Your system design might be significantly different.
- A larger board with more than four copper layers might improve the I210 thermal performance.

13.6 Simulation Results

Table 1 lists the T_{case} as a function of airflow and ambient temperature with the component operating at the Thermal Design Power (TDP) in the environment previously listed. This table can be used as an aid in determining a starting point for the optimum airflow for the I210.

Again, your system design might vary considerably from the environment used to generate these values.

Note: Thermal models are available upon request (Flotherm: Detailed Model). Contact your local Intel sales representative for the I210 thermal models.

Table 13-24. Thermal Simulation Results for Various Environmental Conditions

| Ambient Temperature (°C) | T_c | 0 | 50 | 100 | 150 | 200 | 250 | 300 | 350 | 400 |
|--------------------------|-------|-------|-------|-------|-------|-------|-------|-------|-------|-------|
| | 45 | 68.49 | 65.06 | 65.06 | 65.06 | 65.06 | 65.06 | 65.06 | 65.06 | 65.06 |
| 50 | 73.33 | 69.98 | 69.24 | 69.24 | 69.24 | 69.24 | 69.24 | 69.24 | 69.24 | 69.24 |
| 55 | 78.16 | 74.89 | 74.18 | 73.74 | 73.42 | 73.17 | 72.97 | 72.79 | 72.64 | 72.64 |
| 60 | 83 | 79.82 | 79.13 | 78.7 | 78.38 | 78.14 | 77.94 | 77.77 | 77.61 | 77.61 |
| 65 | 87.74 | 84.74 | 84.07 | 83.65 | 83.35 | 83.11 | 82.91 | 82.74 | 82.59 | 82.59 |
| 70 | 92.68 | 89.66 | 89.02 | 88.61 | 88.31 | 88.08 | 87.88 | 87.71 | 87.56 | 87.56 |
| 75 | 99.3 | 96.17 | 95.5 | 95.07 | 94.76 | 94.51 | 94.3 | 94.12 | 93.96 | 93.96 |
| 80 | 104.1 | 101.1 | 100.4 | 100 | 99.72 | 99.47 | 99.27 | 99.09 | 98.93 | 98.93 |
| 85 | 109 | 106 | 105.4 | 105 | 104.7 | 104.4 | 104.2 | 104.1 | 103.9 | 103.9 |

No Heat Sink

0.74W

0.80W

Note: The red value(s) indicate airflow/ambient combinations that exceed the allowable case temperature.



13.7 Component Measurement Methodology

Measurement methodologies for determining the case and junction temperature are outlined in the sections that follow.

13.7.1 Case Temperature Measurements

Special care is required when measuring the T_{case} temperature to ensure an accurate temperature measurement is produced. Use the following guidelines when measuring T_{case} :

- Use 36-gauge (maximum) K-type thermocouples.
- Calibrate the thermocouple before making temperature measurements.
- Measure the surface temperature of the case in the geometric center of the case top.

Note: It is critical that the thermocouple bead be completely in contact with the package surface.

- Use thermally conductive epoxies, as necessary (again, ensuring the thermocouple bead is in contact with the package surface).

Care must be taken in order to avoid introducing error into the measurements when measuring a surface temperature. Measurement error might be induced by:

- Poor thermal contact between the thermocouple junction and the surface of the package.
- Contact between the thermocouple cement and the heat-sink base (if used).
- Heat loss through thermocouple leads.

13.7.1.1 Attaching the Thermocouple (No Heat Sink)

Following the guidelines listed, attach the thermocouple at a 0° angle if there is no interference with the thermocouple attach location or leads (see Figure 2).

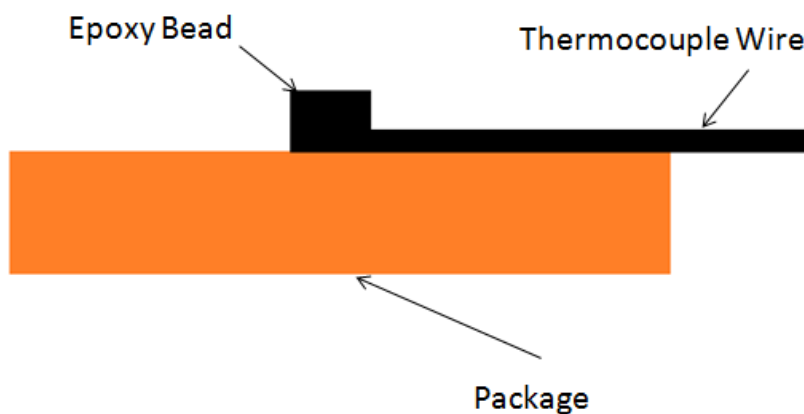


Figure 13-26. Technique for Measuring T_{case} with 0° Angle Attachment, No Heat Sink



13.8 PCB Layout Guidelines

The following general PCB design guidelines are recommended to maximize the thermal performance of QFN packages:

- When connecting ground (thermal) vias to the ground planes, do not use thermal-relief patterns.
- Thermal-relief patterns are designed to limit heat transfer between the vias and the copper planes, thus constricting the heat flow path from the component to the ground planes in the PCB.
- As board temperature also has an effect on the thermal performance of the package, avoid placing the I210 adjacent to high-power dissipation devices.
- If airflow exists, locate the components in the mainstream of the airflow path for maximum thermal performance. Avoid placing the components downstream, behind larger devices or devices with heat sinks that obstruct or significantly preheat the air flow.

Note: The previous information is provided as a general guideline to help maximize the thermal performance of the components.

13.9 Conclusion

Increasingly complex systems require more robust and well thought out thermal solutions. The use of system air, ducting, passive or active heat sinks, or any combination thereof can help lead to a low cost solution that meets your environmental constraints.

The simplest and most cost-effective method is to improve the inherent system cooling characteristics through careful design and placement of fans, vents, and ducts. When additional cooling is required, thermal enhancements can be implemented in conjunction with enhanced system cooling. The size of the fan or heat sink can be varied to balance size and space constraints with acoustic noise.

Use the data and methodologies in this section as a starting point when designing and validating a thermal solution for the I210. By maintaining the I210's case temperature below those recommended in this section, the I210 functions properly and reliably.



14.0 Diagnostics

14.1 Customer Visible Features

14.1.1 JTAG Test Mode Description

The I210 includes a JTAG (TAP) port that is compliant with the IEEE standard 1149.1, 2001 Edition (JTAG). Institute of Electrical and Electronics Engineers (IEEE).

The TAP controller is accessed serially through the four dedicated pins TCK, TMS, TDI, and TDO. TMS, TDI, and TDO operate synchronously with TCK which is independent of all other clock within the I210. This interface can be used for test and debug purposes. System board interconnects can be DC tested using the boundary scan logic in pads. [Table 14-1](#) shows TAP controller related pin descriptions. [Table 14-2](#) describes the TAP instructions supported by the I210. The default instruction after JTAG reset is IDCODE.

Table 14-1. TAP Controller Pins

| Signal | I/O | Description |
|--------|-----|--|
| TCK | In | Test clock input for the test logic defined by IEEE1149.1. Note: Signal should be connected to ground through a 3.3 K Ω pull-down resistor. |
| TDI | In | Test Data Input. Serial test instructions and data are received by the test logic at this pin. Note: Signal should be connected to VCC33 through a 3.3 K Ω pull-up resistor. |
| TDO | O/D | Test Data Output. The serial output for the test instructions and data from the test logic defined in IEEE1149.1. Note: Signal should be connected to VCC33 through a 3.3 K Ω pull-up resistor. |
| TMS | In | Test Mode Select input. The signal received at TMS is decoded by the TAP controller to control test operations. Note: Signal should be connected to VCC33 through a 3.3 K Ω pull-up resistor. |



Table 14-2. TAP Instructions Supported

| Instruction | Description | Comment |
|------------------|--|------------------------------|
| BYPASS | The BYPASS command selects the Bypass Register, a single bit register connected between TDI and TDO pins. This allows more rapid movement of test data to and from other components in the system. | IEEE 1149.1 Std. Instruction |
| EXTEST | The EXTEST Instruction allows circuitry or wiring external to the devices to be tested. Boundary-scan Register Cells at outputs are used to apply stimulus while Boundary-scan cells at input pins are used to capture data. | IEEE 1149.1 Std. Instruction |
| SAMPLE / PRELOAD | <p>The SAMPLE/PRELOAD instruction is used to allow scanning of the boundary scan register without causing interference to the normal operation of the device. Two functions can be performed by use of the Sample/Preload instruction.</p> <p>SAMPLE – allows a snapshot of the data flowing into and out of a device to be taken without affecting the normal operation of the device.</p> <p>PRELOAD – allows an initial pattern to be placed into the boundary scan register cells. This allows initial known data to be present prior to the selection of another boundary-scan test operation.</p> | IEEE 1149.1 Std. Instruction |
| IDCODE | <p>The IDCODE instruction is forced into the parallel output latches of the instruction register during the Test-Logic-Reset TAP state. This allows the device identification register to be selected by manipulation of the broadcast TMS and TCK signals for testing purposes, as well as by a conventional instruction register scan operation.</p> <p>The ID code value for all the I210 A0 SKUs is 0x01531013 (Intel's Vendor ID = 0x13, Device ID = 0x1531, Rev ID = 0x0).</p> <p>The ID code value for all the I210 A1 SKUs is 0x11531013 (Intel's Vendor ID = 0x13, Device ID = 0x1531, Rev ID = 0x1).</p> <p>The ID code value for all the I210 A2 SKUs is 0x31531013 (Intel's Vendor ID = 0x13, Device ID = 0x1531, Rev ID = 0x3).</p> | IEEE 1149.1 Std. Instruction |
| USERCODE | <p>After device reset and before the Device ID is read from Flash:</p> <p>For the I210 A0 it is 0x01531013 (Intel's Vendor ID = 0x13, Device ID = 0x1531, Rev ID = 0x0).</p> <p>For the I210 A1 it is 0x11531013 (Intel's Vendor ID = 0x13, Device ID = 0x1531, Rev ID = 0x1).</p> <p>For the I210 A2 it is 0x31531013 (Intel's Vendor ID = 0x13, Device ID = 0x1531, Rev ID = 0x3).</p> <p>Once the Flash is read, the 16 Device ID bits, which are embedded in the USER code value reflect the device SKU.</p> | IEEE 1149.1 Std. Instruction |
| HIGHZ | The HIGHZ instruction is used to force all outputs of the device (except TDO) into a high impedance state. This instruction shall select the Bypass Register to be connected between TDI and TDO in the Shift-DR controller state. | IEEE 1149.1 Std. Instruction |



Appendix A. Packet Types

This section describes the packet types supported by the header split/replication and other features.

A.1 Packet Types for Header Split/Replication

The following packet types describe the different formats of the packets that are supported by the packet split or replicate feature in the I210. It describes the packets in the split-header point of view. This means that when describing the different fields that are checked and compared, the Header Split/Replication feature emphasizes only the fields that are needed to calculate the header length. This section describes the checks that are done after the decision to pass the packet to the host memory was made.

A.1.1 Terminology

- Compare - The field values are compared to the values that are specified in this section. For a positive result to the compare the values must be equal.
- Checked - The value of the field is compared to the recalculated value (header length ...), as opposed to values specified here.
- Ignore - The field value is ignored but the field is counted to be part of the header.

A.1.2 Type 0 Ethernet (VLAN/SNAP)

This packet type contains an Ethernet header. If only *PSRTYPE.PSR_TYPE0* bit is set, the packet is split at the Ethernet header, even if additional headers are present. If other types are set, the header buffer might contain higher level headers.

| Offset | # of bytes | Field | Value | Action | Comment |
|--------|------------|---------------------------------------|-----------------------|-------------------------------|---|
| 0 | 6 | Destination Address | | Ignore | MAC Header – processed by main address filter, or broadcast |
| 6 | 6 | Source Address | | Ignore | |
| 12 | S=(0/4/8) | Possible VLAN Tags (single or double) | 0x8100 **** | Compare on internal VLAN only | |
| 12+S | D=(0/8) | Possible LLC/SNAP Header | Length + 0xAAAA030000 | Compare | Length means a value smaller than 0x600. |
| 12+D+S | 2 | Type | | Ignore | IP |



A.1.3 Type 1 Ethernet (VLAN/SNAP) IP Packets

A.1.3.1 Type 1.1 Ethernet, IP, Data

This packet type contains only Ethernet and IPv4 headers while the payload header of the IP is not IPv6/TCP/UDP. The header of this type of packet is split/replicated only if *PSRTYPE.PSR_TYPE1* is set.

| Offset | # of bytes | Field | Value | Action | Comment |
|--------------------|------------|---------------------------------------|-----------------------|-------------------------------|---|
| 0 | 6 | Destination Address | | Ignore | MAC Header – processed by main address filter, or broadcast |
| 6 | 6 | Source Address | | Ignore | |
| 12 | S=(0/4/8) | Possible VLAN Tags (single or double) | 0x8100 **** | Compare on internal VLAN only | |
| 12+S | D=(0/8) | Possible LLC/SNAP Header | Length + 0xAAAA030000 | Compare | Length means a value smaller than 0x600. |
| 12+D+S | 2 | Type | 0x0800 | Compare | IP |
| IPv4 Header | | | | | |
| 14+D+S | 1 | Version/ HDR length | 0x4X | Compare | Check IPv4 and header length |
| 15+D+S | 1 | Type of Service | - | Ignore | |
| 16+D+S | 2 | Packet Length | - | Ignore | |
| 18+D+S | 2 | Identification | - | Ignore | |
| 20+D+S | 2 | Fragment Info | >0 or MF bit is set | Check | Check that the packet is fragmented |
| 22+D+S | 1 | Time to live | - | Ignore | |
| 23+D+S | 1 | Protocol | | Ignore | Has no meaning if the packet is fragmented |
| 24+D+S | 2 | Header Checksum | - | Ignore | |
| 26+D+S | 4 | Source IP Address | - | Ignore | |
| 30+D+S | 4 | Destination IP Address | - | Ignore | |
| 34+D+S | N | Possible IP Options | | Ignore | |

In this case the packet will be cut after (34+D+S+N) bytes.

- The header of the packet is split only if the packet is a fragmented packet.

$$N = (\text{IP HDR length} - 5) * 4$$



A.1.3.2 Type 1.2: Ethernet (VLAN/snap), IPv4, TCP

This packet type contains all three Ethernet, IPv4, and TCP headers. The header of this type of packet is split/replicated only if *PSRTYPE.PSR_TYPE2* is set

| Offset | # of bytes | Field | Value | Action | Comment |
|--------------------|------------|---------------------------------------|-----------------------|-------------------------------|---|
| 0 | 6 | Destination Address | | Ignore | MAC Header – processed by main address filter, or broadcast |
| 6 | 6 | Source Address | | Ignore | |
| 12 | S=(0/4/8) | Possible VLAN Tags (single or double) | 0x8100 **** | Compare on internal VLAN only | |
| 12+S | D=(0/8) | Possible LLC/SNAP Header | Length + 0xAAAA030000 | Compare | Length means a value smaller than 0x600. |
| 12+D+S | 2 | Type | 0x0800 | Compare | IP |
| IPv4 Header | | | | | |
| 14+D+S | 1 | Version/ HDR length | 0x4X | Compare | Check IPv4 and header length |
| 15+D+S | 1 | Type of Service | - | Ignore | |
| 16+D+S | 2 | Packet Length | - | Ignore | |
| 18+D+S | 2 | Identification | - | Ignore | |
| 20+D+S | 2 | Fragment Info | 0x00 | Compare | |
| 22+D+S | 1 | Time to live | - | Ignore | |
| 23+D+S | 1 | Protocol | 0x06 | Compare | TCP header |
| 24+D+S | 2 | Header Checksum | - | Ignore | |
| 26+D+S | 4 | Source IP Address | - | Ignore | |
| 30+D+S | 4 | Destination IP Address | - | Ignore | |
| 34+D+S | N | Possible IP Options | | Ignore | |
| TCP Header | | | | | |
| 34+D+S+N | 2 | Source Port | Not (0x801) | Check | Not NFS packet |
| 36+D+S+N | 2 | Destination Port | Not (0x801) | Check | Not NFS packet |
| 38+D+S+N | 4 | Sequence number | - | Ignore | |
| 42+D+S+N | 4 | Acknowledge number | - | Ignore | |
| 46+D+S+N | 1/2 | Header Length | | Check | |
| 46.5+D+S+N | 1.5 | Different bits | - | Ignore | |
| 48+D+S+N | 2 | Window size | - | Ignore | |
| 50+D+S+N | 2 | TCP checksum | - | Ignore | |
| 52+D+S+N | 2 | Urgent pointer | - | Ignore | |
| 54+D+S+N | F | TCP options | - | Ignore | |

In this case the packet is split after (54+D+S+N+F) bytes.



N = (IP HDR length -5) * 4.
 F = (TCP header length - 5) * 4.

A.1.3.3 Type 1.3: Ethernet (SNAP/VLAN), IPv4, UDP

This packet type contains all three Ethernet, IPv4, and UDP headers. The header of this type of packet is split/replicated only if *PSRTYPE.PSR_TYPE3* is set.

| Offset | # of bytes | Field | Value | Action | Comment |
|-------------------|------------|---------------------------------------|-----------------------|-------------------------------|---|
| 0 | 6 | Destination Address | | Ignore | MAC Header – processed by main address filter, or broadcast |
| 6 | 6 | Source Address | | Ignore | |
| 12 | S=(0/4/8) | Possible VLAN Tags (single or double) | 0x8100 **** | Compare on internal VLAN only | |
| 12+S | D=(0/8) | Possible LLC/SNAP Header | Length + 0xAAAA030000 | Compare | Length means a value smaller than 0x600. |
| 12+D+S | 2 | Type | 0x0800 | Compare | IP |
| IP Header | | | | | |
| 14+D+S | 1 | Version/ HDR length | 0x4X | Compare | Check IPv4 and header length |
| 15+D+S | 1 | Type of Service | - | Ignore | |
| 16+D+S | 2 | Packet Length | - | Ignore | |
| 18+D+S | 2 | Identification | - | Ignore | |
| 20+D+S | 2 | Fragment Info | (xx00) 000h | Compare | |
| 22+D+S | 1 | Time to live | - | Ignore | |
| 23+D+S | 1 | Protocol | 0x11 | Compare | UDP header |
| 24+D+S | 2 | Header Checksum | - | Ignore | |
| 26+D+S | 4 | Source IP Address | - | Ignore | |
| 30+D+S | 4 | Destination IP Address | - | Ignore | |
| 34+D+S | N | Possible IP Options | | Ignore | |
| UDP Header | | | | | |
| 34+D+S+N | 2 | Source Port | Not (0x801) | Check | Not NFS packet |
| 36+D+S+N | 2 | Destination Port | Not (0x801) | Check | Not NFS packet |
| 38+D+S+N | 2 | Length | - | Ignore | |
| 40+D+S+N | 2 | Checksum | - | Ignore | |

In this case the packet is split after (42+D+S+N) bytes.



A.1.3.4 Type 1.4: Ethernet, IPv4, IPv6

A.1.3.4.1 IPv6 Header Options Processing

If the next header field in the IPv6 header is equal to 0x00/0x2B/0x2C/0x3B/0x3c then the next header is an IPv6 option header with the following structure:

| | | |
|--------------------------|--------------------|--|
| Next Header (8 bit) | Header Len (8 bit) | |
| Option Header Parameters | | |

Header Len determines the length of the header while the next header field determines the identity of the next header (could be any IPv6 extension header or another IPv6 header option).

A.1.3.4.2 The header of this type of packet is split/replicated only if PSRTYPE.PSR_TYPE is set.

A.1.3.4.3 IPv6 Next Header Values

When parsing an IPv6 header, the I210 does not parse every kind of extension header. Packets containing an extension header that are not supported by the I210 is treated as an unknown payload after the IPv6 header. The next header in a fragment header is ignored and this extension header is expected to be the last header.

A.1.3.4.4 Type 1.4.1: Ethernet (VLAN/SNAP), IPv4, IPv6, data

| Value | Header Type |
|-------|---------------------------|
| 0x00 | Hop by Hop |
| 0x2B | Routing |
| 0x2C | Fragment |
| 0x3B | No next header (EOL) |
| 0x3C | Destination option header |

This packet type contains all three Ethernet, IPv4, and IPv6 headers. The header of this type of packet is split/replicated only if *PSRTYPE.PSR_TYPE4* is set.

| Offset | # of Bytes | Field | Value | Action | Comment |
|--------------------|------------|---------------------------------------|-----------------------|-------------------------------|---|
| 0 | 6 | Destination Address | | Ignore | MAC Header – processed by main address filter, or broadcast |
| 6 | 6 | Source Address | | Ignore | |
| 12 | S=(0/4/8) | Possible VLAN Tags (single or double) | 0x8100 **** | Compare on internal VLAN only | |
| 12+S | D=(0/8) | Possible LLC/SNAP Header | Length + 0xAAAA030000 | Compare | Length means a value smaller than 0x600. |
| 12+D+S | 2 | Type | 0x0800 | Compare | IP |
| IPv4 Header | | | | | |
| 14+D+S | 1 | Version/ DR length | 0x4X | Compare | Check IPv4 and header length |
| 15+D+S | 1 | Type of Service | - | Ignore | |
| 16+D+S | 2 | Packet Length | - | Ignore | |



| Offset | # of Bytes | Field | Value | Action | Comment |
|--------------------|------------|----------------------------|------------------------|---------|------------|
| 18+D+S | 2 | Identification | - | Ignore | |
| 20+D+S | 2 | Fragment Info | 0x00 | Compare | |
| 22+D+S | 1 | Time to live | - | Ignore | |
| 23+D+S | 1 | Protocol | 0x29 | Compare | Ipv6 |
| 24+D+S | 2 | Header Checksum | - | Ignore | |
| 26+D+S | 4 | Source IP Address | - | Ignore | |
| 30+D+S | 4 | Destination IP Address | - | Ignore | |
| 34+D+S | N | Possible IP Options | | Ignore | |
| IPv6 Header | | | | | |
| 34+D+S+N | 1 | Version/ Traffic Class | 0x6X | Compare | Check IPv6 |
| 35+D+S+N | 3 | Traffic Class/Flow Label | - | Ignore | |
| 38+D+S+N | 2 | Payload Length | - | Ignore | |
| 40+D+S+N | 1 | Next Header | IPv6 extension headers | Check | |
| 41+D+S+N | 1 | Hop Limit | - | Ignore | |
| 42+D+S+N | 16 | Source Address | - | Ignore | |
| 48+D+S+N | 16 | Destination Address | | Ignore | |
| 74+D+S+N | B | Possible IPv6 Next Headers | - | Ignore | |

In this case the packet is split after (74+D+S+N+B) bytes.

$$N = (\text{IP HDR length} - 5) * 4.$$

One of the extension headers of the IPv6 packets must be a fragment header in order for the packet to be parsed.

A.1.3.4.5 Type 1.4.2: Ethernet (VLAN/SNAP), IPv4, IPv6, TCP

This packet type contains all four Ethernet, IPv4, IPv6, and TCP headers. The header of this type of packet is split/replicated only if *PSRTYPE.PSR_TYPE5* is set.

| Offset | # of Bytes | Field | Value | Action | Comment |
|--------------------|------------|---------------------------------------|-----------------------|-------------------------------|---|
| 0 | 6 | Destination Address | | Ignore | MAC Header – processed by main address filter, or broadcast |
| 6 | 6 | Source Address | | Ignore | |
| 12 | S=(0/4/8) | Possible VLAN Tags (single or double) | 0x8100 **** | Compare on internal VLAN only | |
| 12+S | D=(0/8) | Possible LLC/SNAP Header | Length + 0xAAAA030000 | Compare | |
| 12+D+S | 2 | Type | 0x0800 | Compare | IP |
| IPv4 Header | | | | | |



| Offset | # of Bytes | Field | Value | Action | Comment |
|--------------------|------------|----------------------------|--|---------|------------------------------|
| 14+D+S | 1 | Version/ HDR length | 0x4X | Compare | Check IPv4 and header length |
| 15+D+S | 1 | Type of Service | - | Ignore | |
| 16+D+S | 2 | Packet Length | - | Ignore | |
| 18+D+S | 2 | Identification | - | Ignore | |
| 20+D+S | 2 | Fragment Info | 0x00 | Compare | |
| 22+D+S | 1 | Time to live | - | Ignore | |
| 23+D+S | 1 | Protocol | 0x29 | Compare | Ipv6 |
| 24+D+S | 2 | Header Checksum | - | Ignore | |
| 26+D+S | 4 | Source IP Address | - | Ignore | |
| 30+D+S | 4 | Destination IP Address | - | Ignore | |
| 34+D+S | N | Possible IP Options | | Ignore | |
| Ipv6 Header | | | | | |
| 34+D+S+N | 1 | Version/ Traffic Class | 0x6X | Compare | Check IPv6 |
| 35+D+S+N | 3 | Traffic Class/Flow Label | - | Ignore | |
| 38+D+S+N | 2 | Payload Length | - | Ignore | |
| 40+D+S+N | 1 | Next Header | Ipv6 extension header Or 0x06 (TCP) | Check | IPv6 extension headers |
| 41+D+S+N | 1 | Hop Limit | - | Ignore | |
| 42+D+S+N | 16 | Source Address | - | Ignore | |
| 58+D+S+N | 16 | Destination Address | | Ignore | |
| 74+D+S+N | B | Possible IPv6 Next Headers | - | Ignore | |
| TCP Header | | | | | |
| 74+T | 2 | Source Port | Not (0x801) | Check | Not NFS packet |
| 76+T | 2 | Destination Port | Not (0x801) | Check | Not NFS packet |
| 78+T | 4 | Sequence number | - | Ignore | |
| 82+T | 4 | Acknowledge number | - | Ignore | |
| 86+T | 1/2 | Header Length | | Check | |
| 86.5+T | 1.5 | Different bits | - | Ignore | |
| 88+T | 2 | Window size | - | Ignore | |
| 90+T | 2 | TCP checksum | - | Ignore | |
| 92+T | 2 | Urgent pointer | - | Ignore | |
| 94+T | F | TCP options | - | Ignore | |

In this case the packet is split after (94+D+S+N+B+F) bytes.



$T = D+S+N+B$
 $N = (IP\ HDR\ length - 5) * 4.$
 $F = (TCP\ HDR\ length - 5)*4$

A.1.3.4.6 Type 1.4.3: Ethernet (VLAN/SNAP), IPv4, IPv6, UDP

This packet type contains all four Ethernet, IPv4, IPv6, and UDP headers. The header of this type of packet is split/replicated only if *PSRTYPE.PSR_TYPE6* is set.

| Offset | # of Bytes | Field | Value | Action | Comment |
|--------------------|------------|---------------------------------------|-------------------------------------|-------------------------------|---|
| 0 | 6 | Destination Address | | Ignore | MAC Header – processed by main address filter, or broadcast |
| 6 | 6 | Source Address | | Ignore | |
| 12 | S=(0/4/8) | Possible VLAN Tags (single or double) | 0x8100 **** | Compare on internal VLAN only | |
| 12+S | D=(0/8) | Possible LLC/SNAP Header | Length + 0xAAAA030000 | Compare | |
| 12+D+S | 2 | Type | 0x0800 | Compare | IP |
| IPv4 Header | | | | | |
| 14+D+S | 1 | Version/ HDR length | 0x4X | Compare | Check IPv4 and header length |
| 15+D+S | 1 | Type of Service | - | Ignore | |
| 16+D+S | 2 | Packet Length | - | Ignore | |
| 18+D+S | 2 | Identification | - | Ignore | |
| 20+D+S | 2 | Fragment Info | 0x00 | Compare | |
| 22+D+S | 1 | Time to live | - | Ignore | |
| 23+D+S | 1 | Protocol | 0x29 | Compare | Ipv6 |
| 24+D+S | 2 | Header Checksum | - | Ignore | |
| 26+D+S | 4 | Source IP Address | - | Ignore | |
| 30+D+S | 4 | Destination IP Address | - | Ignore | |
| 34+D+S | N | Possible IP Options | | Ignore | |
| Ipv6 Header | | | | | |
| 34+D+S+N | 1 | Version/ Traffic Class | 0x6X | Compare | Check IPv6 |
| 35+D+S+N | 3 | Traffic Class/Flow Label | - | Ignore | |
| 38+D+S+N | 2 | Payload Length | - | Ignore | |
| 40+D+S+N | 1 | Next Header | IPv6 extension header or 0x11 (UDP) | Check | IPv6 extension headers: |
| 41+D+S+N | 1 | Hop Limit | - | Ignore | |
| 42+D+S+N | 16 | Source Address | - | Ignore | |
| 58+D+S+N | 16 | Destination Address | | Ignore | |
| 74+D+S+N | B | Possible IPv6 Next Headers | - | Ignore | |



| Offset | # of Bytes | Field | Value | Action | Comment |
|-------------------|------------|------------------|-------------|--------|----------------|
| UDP Header | | | | | |
| 74+D+S+N+B | 2 | Source Port | Not (0x801) | Check | Not NFS packet |
| 76+D+S+N+B | 2 | Destination Port | Not (0x801) | Check | Not NFS packet |
| 78+D+S+N+B | 2 | Length | - | Ignore | |
| 80+D+S+N+B | 2 | Checksum | - | Ignore | |

In this case the packet is split after (82+D+S+N+B) bytes.

$$N = (\text{IP HDR length} - 5) * 4.$$

A.1.4 Type 2: Ethernet, IPv6

A.1.4.1 Type 2.1: Ethernet (VLAN/SNAP), IPv6, Data

This packet type contains both Ethernet and IPv6 headers while the packet should be a fragmented packet. If the packet is not fragmented and the next header is not one of the supported types from Section A.1.3.4 then the header is not split. The header of this type of packet is split/replicated only if *PSRTYPE.PSR_TYPE7* is set.

| Offset | # of Bytes | Field | Value (hex) | Action | Comment |
|--------------------|------------|---------------------------------------|------------------------------|-------------------------------|--|
| 0 | 6 | Destination Address | | Ignore | MAC Header – processed by main address filter, or broadcast |
| 6 | 6 | Source Address | | Ignore | |
| 12 | S=(0/4/8) | Possible VLAN Tags (single or double) | 0x8100 **** | Compare on internal VLAN only | |
| 12+S | D=(0/8) | Possible LLC/SNAP Header | Length + 0xAAAA03 0000 | Compare | |
| 12+D+S | 2 | Type | 0x86DD | Compare | IP |
| IPv6 Header | | | | | |
| 14+D+S | 1 | Version/ Traffic Class | 0x6X | Compare | Check IPv6 |
| 15+D+S | 3 | Traffic Class/Flow Label | - | Ignore | |
| 18+D+S | 2 | Payload Length | - | Ignore | |
| 20+D+S | 1 | Next Header | IPv6 next header types | Check | The last header must be fragmented header in order for the header to be split. |
| 21+D+S | 1 | Hop Limit | - | Ignore | |
| 22+D+S | 16 | Source Address | - | Ignore | |
| 38+D+S | 16 | Destination Address | - | Ignore | |
| 54+D+S | N | Possible IPv6 Next Headers | - | Ignore | |

In this case the packet is split after (54+D+S+N) bytes.



The last next header field of the IP section field should not be 0x11/0x06 (TCP/UDP).

A.1.4.2 Type 2.2: Ethernet (VLAN/SNAP) IPv6 TCP

This packet type contains all three Ethernet, IPv6, and TCP headers. The header of this type of packet is split/replicated only if *PSRTYPE.PSR_TYPE8* is set.

| Offset | # of Bytes | Field | Value (hex) | Action | Comment |
|--------------------|------------|---------------------------------------|--------------------------------------|-------------------------------|---|
| 0 | 6 | Destination Address | | Ignore | |
| 6 | 6 | Source Address | | Ignore | MAC Header – processed by main address filter, or broadcast |
| 12 | S=(0/4/8) | Possible VLAN Tags (single or double) | 0x8100 **** | Compare on internal VLAN only | |
| 12+S | D=(0/8) | Possible LLC/SNAP Header | Length + 0xAAAA030 000 | Compare | |
| 12+D+S | 2 | Type | 0x86DD | Compare | IP |
| IPv6 Header | | | | | |
| 14+D+S | 1 | Version/ Traffic Class | 0x6X | Compare | Check IPv6 |
| 15+D+S | 3 | Traffic Class/Flow Label | - | Ignore | |
| 18+D+S | 2 | Payload Length | - | Ignore | |
| 20+D+S | 1 | Next Header | IPv6 next header types or 0x06 (TCP) | Check | |
| 21+D+S | 1 | Hop Limit | - | Ignore | |
| 22+D+S | 16 | Source Address | - | Ignore | |
| 38+D+S | 16 | Destination Address | | Ignore | |
| 54+D+S | N | Possible IPv6 Next Headers | - | Ignore | |
| TCP Header | | | | | |
| 54+D+S+N | 2 | Source Port | Not (0x801) | Check | Not NFS packet |
| 56+D+S+N | 2 | Destination Port | Not (0x801) | Check | Not NFS packet |
| 58+D+S+N | 4 | Sequence number | - | Ignore | |
| 62+D+S+N | 4 | Acknowledge number | - | Ignore | |
| 66+D+S+N | 1/2 | Header Length | | Check | |
| 66.5+D+S+N | 1.5 | Different bits | - | Ignore | |
| 68+D+S+N | 2 | Window size | - | Ignore | |
| 70+D+S+N | 2 | TCP checksum | - | Ignore | |
| 72+D+S+N | 2 | Urgent pointer | - | Ignore | |
| 74+D+S+N | F | TCP options | - | Ignore | |

In this case the packet is split after (54+D+S+N+F) bytes.



$$F = (\text{TCP header length} - 5) * 4$$

The last Next-header field of the last header of the IP section must be 0x11.

A.1.4.3 Type 2.3: Ethernet (VLAN/SNAP) IPv6 UDP

This packet type contains all three Ethernet, IPv6, and UDP headers. The header of this type of packet is split/replicated only if *PSRTYPE.PSR_TYPE9* is set.

| Offset | # of Bytes | Field | Value (hex) | Action | Comment |
|--------------------|------------|---------------------------------------|--|-------------------------------|---|
| 0 | 6 | Destination Address | | Ignore | MAC Header – processed by main address filter, or broadcast |
| 6 | 6 | Source Address | | Ignore | |
| 12 | S=(0/4/8) | Possible VLAN Tags (single or double) | 0x8100 **** | Compare on internal VLAN only | |
| 12+S | D=(0/8) | Possible LLC/SNAP Header | Length + 0xAAAA030000 | Compare | Length means a value smaller than 0x600. |
| 12+D+S | 2 | Type | 0x86DD | Compare | IP |
| IPv6 Header | | | | | |
| 14+D+S | 1 | Version/ Traffic Class | 0x6X | Compare | Check IPv6 |
| 15+D+S | 3 | Traffic Class/Flow Label | - | Ignore | |
| 18+D+S | 2 | Payload Length | - | Ignore | |
| 20+D+S | 1 | Next Header | IPv6 next header types Or 0x11 (UDP) | Check | |
| 21+D+S | 1 | Hop Limit | - | Ignore | |
| 22+D+S | 16 | Source Address | - | Ignore | |
| 38+D+S | 16 | Destination Address | | Ignore | |
| 54+D+S | N | Possible IPv6 Next Headers | - | Ignore | |
| UDP Header | | | | | |
| 54+D+S+N | 2 | Source Port | Not (0x801) | Check | Not NFS packet |
| 56+D+S+N | 2 | Destination Port | Not (0x801) | Check | Not NFS packet |
| 58+D+S+N | 2 | Length | - | Ignore | |
| 60+D+S+N | 2 | Checksum | - | Ignore | |

In this case the packet is split after (62+D+S+N) bytes.

The last Next-header field of the last header of the IP section must be 0x06.



A.1.5 Type 3: NFS Packets

NFS headers can come in all the frames that contain a UDP/TCP header. The NFS (and RPC headers) are extensions to these types of packets. All of the packets previously described in sections [A.1.3.2](#), [A.1.3.2](#), [A.1.3.4.5](#), [A.1.3.4.5](#), [A.1.4.3](#), and [A.1.4.2](#), can accommodate NFS headers.

PSRTYPE.PSR_TYPE11/12/14/15/18/19 controls the split/replication behavior of NFS packets. See [Section 8.10.3](#) for details.

In this section, only the NFS (and RPC) header is described. The length of this header should be added to the length of the primary type of the packet.

The I210 starts looking within the UDP/TCP payload to check whether it contains an NFS header. This is determined when either the source or destination port of the TCP/UDP is equal to 0x801.

- Destination port equal 0x801 => NFS write request (as received by the NFS server).
- Source port equal 0x801 => NFS read response (as received by the NFS client).

The VSZ/CSZ fields are each 4 bytes long but their actual values are less than 2 words by definition so hardware only checks the lower 2 bytes of these size fields.

RPC read requests are not described in this document since they contain only headers and no data therefore there is no need to split them.

Note: NFS over TCP is problematic – due to the fact that the RPC header might appear in the middle of the frame. It remains to be checked if software always supports putting the RPC right next to the UDP/TCP header.

A.1.5.1 Type 3.1: NFS Write Request

In all write requests, the destination port of the TCP/UDP header must be 0x801.



A.1.5.1.1 Type 3.1.1: NFS Write Request (NFSv2)

| Offset | # of Bytes | Field | Value (hex) | Action | Comment |
|-------------------|------------|------------------------|-------------|---------|---|
| RPC Header | | | | | |
| 0 | D =(0/4) | Record Header | - | Ignore | If the previous header was TCP header than this field contain 4 bytes |
| 0+D | 4 | Message type | 0x00 | Compare | |
| 4+D | 4 | RPC version | 0x02 | Compare | |
| 8+D | 4 | RPC program | 0x18A63 | Compare | |
| 12+D | 4 | Program version | 0x02 | Compare | |
| 16+D | 4 | Procedure | 0x08 | Compare | |
| 20+D | 4 | Credentials Size (CSZ) | <400 | Check | |
| 24+D | B | Credentials Data (CSZ) | - | Ignore | B = (CSZ pad 4) |
| 24+D+B | 4 | Verifier Flavor | - | Ignore | |
| 28+D+B | 4 | Verifier Size (VSZ) | <400 | Check | |
| 32+D+B | F | Verifier Data | | Ignore | F = (VSZ pad 4) |
| NFS Header | | | | | |
| 32+D+B+F | 32 | handle | | Ignore | |
| 64+D+B+F | 4 | begin offset | | Ignore | |
| 68+D+B+F | 4 | Offset | | Ignore | |
| 72+D+B+F | 4 | Total count | | Ignore | |
| 76+D+B_F | 4 | Data len | | Ignore | |

In this case the NFS header size is (80+D+B+F) bytes. This length should be added to the UDP/TCP type that was already parsed.



A.1.5.1.2 Type 3.1.2: NFS Write Request (NFSv3)

| Offset | # of Bytes | Field | Value (hex) | Action | Comment |
|-------------------|------------|------------------------|-------------|---------|---|
| RPC Header | | | | | |
| 0 | D=(0/4) | Record Header | - | Ignore | If the previous header was TCP header than this field contain 4 bytes |
| 0+D | 4 | Message type | 0x00 | Compare | |
| 4+D | 4 | RPC version | 0x02 | Compare | |
| 8+D | 4 | RPC program | 0x18A63 | Compare | |
| 12+D | 4 | Program version | 0x03 | Compare | |
| 16+D | 4 | Procedure | 0x07 | Compare | |
| 20+D | 4 | Credentials Size (CSZ) | <400 | Check | |
| 24+D | B | Credentials Data (CSZ) | - | Ignore | B = (CSZ padded to 4) |
| 24+D+B | 4 | Verifier Flavor | - | Ignore | |
| 28+D+B | 4 | Verifier Size (VSZ) | <400 | Check | |
| 32+D+B | F | Verifier Data | | Ignore | F = (VSZ padded to 4) |
| NFS Header | | | | | |
| 32+D+B+F | 4 | Fhandle_size | <64 | Check | |
| 36+D+B+F | S | fhandle | | Ignore | S = (Fhandle_size padded to 4) |
| 36+D+B+F+S | 8 | Offset | | Ignore | |
| 44+D+B+F+S | 4 | Count | | Ignore | |
| 48+D+B+F+S | 4 | Stable_how | | Ignore | |
| 52+D+B+F+S | 4 | Data len | | Ignore | |

In this case the NFS header size is (56+D+B+F+S) bytes. This length should be added to the UDP/TCP type that was already parsed.



A.1.5.1.3 Type 3.1.3: NFS Write Request (NFSv4)

| Offset | # of Bytes | Field | Value (hex) | Action | Comment |
|-------------------|------------|------------------------|-------------|---------|---|
| RPC Header | | | | | |
| 0 | D =(0/4) | Record Header | - | Ignore | If the previous header was TCP header than this field contain 4 bytes |
| 0+D | 4 | Message type | 0x00 | Compare | |
| 4+D | 4 | RPC version | 0x02 | Compare | |
| 8+D | 4 | RPC program | 0x18A63 | Compare | |
| 12+D | 4 | Program version | 0x04 | Compare | |
| 16+D | 4 | Procedure | 0x26 | Compare | |
| 20+D | 4 | Credentials Size (CSZ) | <400 | Check | |
| 24+D | B | Credentials Data (CSZ) | - | Ignore | B = (CSZ pad 4) |
| 24+D+B | 4 | Verifier Flavor | - | Ignore | |
| 28+D+B | 4 | Verifier Size (VSZ) | <400 | Check | |
| 32+D+B | F | Verifier Data | | Ignore | F = (VSZ pad 4) |
| NFS Header | | | | | |
| 32+D+B+F | 8 | State id | | Ignore | |
| 40+D+B+F | 8 | Offset | | Ignore | |
| 48+D+B+F | 4 | Stable_how | | Ignore | |
| 52+D+B+F | 4 | Data len | | Ignore | |

In this case the NFS header size is (56+D+B+F) bytes. This length should be added to the UDP/TCP type that was already parsed.



A.1.5.2 Type 3.2: NFS Read Response

A.1.5.2.1 The I210 should be configured to the right version via its configuration space.

A.1.5.2.2 Type 3.2.1: NFS Read Response (NFSv2)

| Offset | # of Bytes | Field | Value (hex) | Action | Comment |
|-------------------|------------|---------------------|-------------|---------|---|
| RPC Header | | | | | |
| 0 | D =(0/4) | Record Header | - | Ignore | If the previous header was TCP header than this field contain 4 bytes |
| 0+D | 4 | XID | | Ignore | |
| 4+D | 4 | Message type | 0x01 | Compare | |
| 8+D | 4 | Reply status | 0x00 | Ignore | '0' means O.K and only if this value is '0' there will be additional data |
| 12+D | 4 | Verifier Flavor | - | Ignore | |
| 16+D | 4 | Verifier Size (VSZ) | <400 | Check | |
| 20+D | F | Verifier Data | - | Ignore | F = (VSZ pad 4) |
| 20+D+F | 4 | Accept status | 0x00 | Ignore | '0' means O.K |
| NFS Header | | | | | |
| 24+D+F | 4 | Status | 0x00 | Ignore | |
| 28+D+F | 68 | Attributes | - | Ignore | |
| 96+D+F | 4 | Data len | - | Ignore | |

In this case the NFS header size is (100+D+F) bytes. This length should be added to the UDP/TCP type that was already parsed.



A.1.5.2.3 Type 3.2.1: NFS Read Response (NFSv3)

| Offset | # of Bytes | Field | Value (hex) | Action | Comment |
|-------------------|------------|---------------------|-------------|---------|---|
| RPC Header | | | | | |
| 0 | D =(0/4) | Record Header | - | Ignore | If the previous header was TCP header than this field contain 4 bytes |
| 0+D | 4 | XID | - | Ignore | |
| 4+D | 4 | Message type | 0x01 | Compare | |
| 8+D | 4 | Reply status | 0x00 | Ignore | '0' means O.K and only if this value is '0' there will be additional data |
| 12+D | 4 | Verifier Flavor | - | Ignore | |
| 16+D | 4 | Verifier Size (VSZ) | <400 | Check | |
| 20+D | F | Verifier Data | - | Ignore | F = (VSZ pad 4) |
| 20+D+F | 4 | Accept status | 0x00 | Ignore | '0' means O.K |
| NFS Header | | | | | |
| 24+D+F | 4 | Status | 0x00 | Ignore | |
| | 4 | Attr_follow | - | Check | |
| 28+D+F | S | Attributes | - | Ignore | Attr_flow=1 ? S=84: S=0 |
| 28+D+F+S | 4 | Count | - | Ignore | |
| 32+D+F+S | 4 | Eof | - | Ignore | |
| 36+D+F+S | 4 | Data len | - | Ignore | |

In this case the NFS header size is (40+D+F+S) bytes. This length should be added to the UDP/TCP type that was already parsed.



A.1.5.2.4 Type 3.2.1: NFS Read Response (NFSv4)

| Offset | # of Bytes | Field | Value (hex) | Action | Comment |
|-------------------|------------|---------------------|-------------|---------|---|
| RPC Header | | | | | |
| 0 | D =(0/4) | Record Header | - | Ignore | If the previous header was TCP header than this field contain 4 bytes |
| 0+D | 4 | XID | - | Ignore | |
| 4+D | 4 | Message type | 0x01 | Compare | |
| 8+D | 4 | Reply status | 0x00 | Ignore | '0' means O.K and only if this value is '0' there will be additional data |
| 12+D | 4 | Verifier Flavor | - | Ignore | |
| 16+D | 4 | Verifier Size (VSZ) | <400 | Check | |
| 20+D | F | Verifier Data | - | Ignore | F = (VSZ pad 4) |
| 20+D+F | 4 | Accept status | 0x00 | Ignore | '0' means O.K |
| NFS Header | | | | | |
| 24+D+F | 4 | Status | 0x00 | Ignore | '0' means O.K |
| 28+D+F | 4 | eof | - | Ignore | |
| 32+D+F | 4 | Data len | - | Ignore | |

In this case the NFS header size is (36+D+F) bytes. This length should be added to the UDP/TCP type that was already parsed.

A.2 IP and TCP/UDP Headers for TSO

This section outlines the format and content for the IP, TCP and UDP headers. The I210 requires baseline information from the software device driver in order to construct the appropriate header information during the segmentation process.

Header fields that are modified by the I210 are highlighted in the figures that follow.

Note: IPv4 requires the use of a checksum for the header. IPv6 does not use a header checksum.

IPv4 length includes the TCP and IP headers, and data. IPv6 length does not include the IPv6 header.

Note: The IP header is first shown in the traditional (such as RFC 791) representation, and because byte and bit ordering is confusing in that representation, the IP header is also shown in little endian format. The actual data is fetched from memory in little endian format.

Table A-1. IPv4 Header (Traditional Representation)

| | | | | | | | | | | | | | | | | | | | | | |
|----------------|----------|---------------|----------|---------------------|----------|----------|----------|-----------------|----------|-----------------|----------|----------|----------|----------|----------|----------|----------|----------|----------|----------|----------|
| 0 | 1 | 2 | 3 | 4 | 5 | 6 | 7 | 8 | 9 | 0 | 1 | 2 | 3 | 4 | 5 | 6 | 7 | 8 | 9 | 0 | 1 |
| Version | | IP Hdr Length | | TYPE of service | | | | Total length | | | | | | | | | | | | | |
| Identification | | | | | | | | Flags | | Fragment Offset | | | | | | | | | | | |
| Time to Live | | | | Layer 4 Protocol ID | | | | Header Checksum | | | | | | | | | | | | | |



Table A-1. IPv4 Header (Traditional Representation)

| |
|---------------------|
| Source Address |
| Destination Address |
| Options |

Table A-2. IPv4 Header (Little Endian Order)

| Byte3 | | | | | | | | Byte2 | | | | | | | | Byte1 | | | | | | | | Byte0 | | | | | | | | | | | | | | | | | | | | | | |
|---------------------|---|---|---|---|---|---|---|--------------|---|---|---|---|---|---|----------------------|---------------------|---|---|---|---|---|---|-----|-----------------|---|---|---|---|---|---|----------------|---------|--|--|--|---------------|--|--|-----|--|--|--|--|--|--|--|
| 7 | 6 | 5 | 4 | 3 | 2 | 1 | 0 | 7 | 6 | 5 | 4 | 3 | 2 | 1 | 0 | 7 | 6 | 5 | 4 | 3 | 2 | 1 | 0 | 7 | 6 | 5 | 4 | 3 | 2 | 1 | 0 | | | | | | | | | | | | | | | |
| LSB | | | | | | | | Total length | | | | | | | | MSB | | | | | | | | TYPE of service | | | | | | | | Version | | | | IP Hdr Length | | | | | | | | | | |
| Fragment Offset Low | | | | | | | | R | E | S | N | F | M | F | Fragment Offset High | | | | | | | | LSB | | | | | | | | Identification | | | | | | | | MSB | | | | | | | |
| Header Checksum | | | | | | | | | | | | | | | | Layer 4 Protocol ID | | | | | | | | Time to Live | | | | | | | | | | | | | | | | | | | | | | |
| Source Address | | | | | | | | | | | | | | | | | | | | | | | | | | | | | | | | | | | | | | | | | | | | | | |
| Destination Address | | | | | | | | | | | | | | | | | | | | | | | | | | | | | | | | | | | | | | | | | | | | | | |
| Options | | | | | | | | | | | | | | | | | | | | | | | | | | | | | | | | | | | | | | | | | | | | | | |

Identification is incremented on each packet.

Flags Field Definition:

The Flags field is defined as follows. Note that hardware does not evaluate or change these bits.

- MF - More Fragments
- NF - No Fragments
- Reserved

The I210 does TCP segmentation, not IP fragmentation. IP fragmentation might occur in transit through a network's infrastructure.

Table A-3. IPv6 Header (Traditional Representation)

| 0 1 2 3 4 5 6 7 | | | | | | | | 1 8 9 0 1 2 3 4 5 | | | | | | | | 2 6 7 8 9 0 1 2 3 | | | | | | | | 3 4 5 6 7 8 9 0 1 | | | | | | | |
|---------------------|--|--|--|----------|--|--|--|-------------------|--|--|--|--|--|--|--|-------------------|--|--|--|--|--|--|--|-------------------|--|--|--|--|--|--|--|
| Version | | | | Priority | | | | Flow Label | | | | | | | | | | | | | | | | | | | | | | | |
| Payload Length | | | | | | | | | | | | | | | | Next Header Type | | | | | | | | Hop Limit | | | | | | | |
| Source Address | | | | | | | | | | | | | | | | | | | | | | | | | | | | | | | |
| Destination Address | | | | | | | | | | | | | | | | | | | | | | | | | | | | | | | |
| Extensions (if any) | | | | | | | | | | | | | | | | | | | | | | | | | | | | | | | |



Table A-4. IPv6 Header (Little Endian Order)

| Byte3 | | | | | | | | Byte2 | | | | | | | | Byte1 | | | | | | | | Byte0 | | | | | | | |
|---------------------|---|---|---|---|---|---|---|------------------|---|---|---|---|---|---|---|----------------|---|---|---|----------|---|---|---|-------|---|---|---|---|---|---|---|
| 7 | 6 | 5 | 4 | 3 | 2 | 1 | 0 | 7 | 6 | 5 | 4 | 3 | 2 | 1 | 0 | 7 | 6 | 5 | 4 | 3 | 2 | 1 | 0 | 7 | 6 | 5 | 4 | 3 | 2 | 1 | 0 |
| Flow Label | | | | | | | | | | | | | | | | Version | | | | Priority | | | | | | | | | | | |
| Hop Limit | | | | | | | | Next Header Type | | | | | | | | Payload Length | | | | | | | | | | | | | | | |
| Source Address | | | | | | | | | | | | | | | | | | | | | | | | | | | | | | | |
| Destination Address | | | | | | | | | | | | | | | | | | | | | | | | | | | | | | | |
| Extensions | | | | | | | | | | | | | | | | | | | | | | | | | | | | | | | |

A TCP or UDP frame uses a 16 bit wide one's complement checksum. The checksum word is computed on the outgoing TCP or UDP header and payload, and on the pseudo header. Details on checksum computations are provided in [Section 7.2.4](#).

Note: TCP and UDP over IPv6 requires the use of checksum, where it is optional for UDP over IPv4. The TCP header is first shown in the traditional (such as RFC 793) representation, and because byte and bit ordering is confusing in that representation, the TCP header is also shown in little endian format. The actual data is fetched from memory in little endian format.

Table A-5. TCP Header (Traditional Representation)

| | | | | | | | | | | | | | | | | | | | | | | | | | | | | | | | |
|------------------------|--|--|--|----------|--|--|--|----------------------|---|---|---|---|---|---|--------|----------------------|--|--|--|--|--|--|--|----------------------|--|--|--|--|--|--|--|
| 0 1 2 3 4 5 6 7 | | | | | | | | 1 8 9 0 1 2 3 4 5 | | | | | | | | 2 6 7 8 9 0 1 2 3 | | | | | | | | 3 4 5 6 7 8 9 0 1 | | | | | | | |
| Source Port | | | | | | | | | | | | | | | | Destination Port | | | | | | | | | | | | | | | |
| Sequence Number | | | | | | | | | | | | | | | | | | | | | | | | | | | | | | | |
| Acknowledgement Number | | | | | | | | | | | | | | | | | | | | | | | | | | | | | | | |
| TCP Header Length | | | | Reserved | | | | U | R | A | P | R | S | F | Window | | | | | | | | | | | | | | | | |
| | | | | | | | | G | K | C | H | S | T | N | | | | | | | | | | | | | | | | | |
| Checksum | | | | | | | | | | | | | | | | Urgent Pointer | | | | | | | | | | | | | | | |
| Options | | | | | | | | | | | | | | | | | | | | | | | | | | | | | | | |

Table A-6. TCP Header (Little Endian)

| Byte3 | | | | | | | | Byte2 | | | | | | | | Byte1 | | | | | | | | Byte0 | | | | | | | | |
|------------------------|---|---|---|---|---|---|---|-----------------|---|---|---|---|---|---|---|-------------|---|---|---|---|---|---|---|-------|-------------------|---|---|---|----------|---|---|--|
| 7 | 6 | 5 | 4 | 3 | 2 | 1 | 0 | 7 | 6 | 5 | 4 | 3 | 2 | 1 | 0 | 7 | 6 | 5 | 4 | 3 | 2 | 1 | 0 | 7 | 6 | 5 | 4 | 3 | 2 | 1 | 0 | |
| Destination Port | | | | | | | | | | | | | | | | Source Port | | | | | | | | | | | | | | | | |
| LSB | | | | | | | | Sequence Number | | | | | | | | | | | | | | | | MSB | | | | | | | | |
| Acknowledgement Number | | | | | | | | | | | | | | | | | | | | | | | | | | | | | | | | |
| Window | | | | | | | | | | | | | | | | RE | S | U | R | A | P | R | S | F | TCP Header Length | | | | Reserved | | | |
| | | | | | | | | | | | | | | | | G | K | C | H | S | T | N | | | | | | | | | | |
| Urgent Pointer | | | | | | | | | | | | | | | | Checksum | | | | | | | | | | | | | | | | |
| Options | | | | | | | | | | | | | | | | | | | | | | | | | | | | | | | | |



The TCP header is always a multiple of 32-bit words. TCP options might occupy space at the end of the TCP header and are a multiple of 8 bits in length. All options are included in the checksum.

The checksum also covers a 96-bit pseudo header conceptually prefixed to the TCP Header (see [Table A-7](#)). For IPv4 packets, this pseudo header contains the IP Source Address, the IP Destination Address, the IP Protocol field, and TCP Length. Software pre-calculates the partial pseudo header sum, which includes IPv4 SA, DA and protocol types, but NOT the TCP length, and stores this value into the TCP checksum field of the packet. For both IPv4 and IPv6, hardware needs to factor in the TCP length to the software supplied pseudo header partial checksum.

Note: When calculating the TCP pseudo header, the byte ordering can be tricky. One common question is whether the Protocol ID field is added to the “lower” or “upper” byte of the 16-bit sum.

The Protocol ID field should be added to the least significant byte (LSB) of the 16-bit pseudo header sum, where the most significant byte (MSB) of the 16-bit sum is the byte that corresponds to the first checksum byte out on the wire.

The TCP Length field is the TCP Header Length including option fields plus the data length in bytes, which is calculated by hardware on a frame-by-frame basis. The TCP Length does not count the 12 bytes of the pseudo header. The TCP length of the packet is determined by hardware as:

$$\text{TCP Length} = \min(\text{MSS}, \text{PAYLOADLEN}) + \text{L5_LEN}$$

The two flags that may be modified are defined as:

- PSH: receiver should pass this data to the application without delay
- FIN: sender is finished sending data

The handling of these flags is described in [Section 7.2.4](#).

Payload is normally MSS except for the last packet where it represents the remainder of the payload.

Table A-7. TCP/UDP Pseudo Header Content for IPv4 (Traditional Representation)

| | | |
|--------------------------|---------------------|----------------|
| IPv4 Source Address | | |
| IPv4 Destination Address | | |
| Zero | Layer 4 Protocol ID | TCP/UDP Length |

Table A-8. TCP/UDP Pseudo Header Content for IPv6 (Traditional Representation)

| | |
|--------------------------------|-------------|
| IPv6 Source Address | |
| IPv6 Final Destination Address | |
| TCP/UDP Packet Length | |
| Zero | Next Header |

Note: From RFC2460:

- If the IPv6 packet contains a Routing header, the Destination Address used in the pseudo-header is that of the final destination. At the originating node, that address will be in the last element of the Routing header; at the recipient(s), that address will be in the Destination Address field of the IPv6 header.
- The Next Header value in the pseudo-header identifies the upper-layer protocol (e.g., 6 for TCP, or 17 for UDP). It will differ from the Next Header value in the IPv6 header if there are extension headers between the IPv6 header and the upper-layer header.



- The Upper-Layer Packet Length in the pseudo-header is the length of the upper-layer header and data (e.g., TCP header plus TCP data). Some upper-layer protocols carry their own length information (e.g., the Length field in the UDP header); for such protocols, that is the length used in the pseudo- header. Other protocols (such as TCP) do not carry their own length information, in which case the length used in the pseudo-header is the Payload Length from the IPv6 header, minus the length of any extension headers present between the IPv6 header and the upper-layer header.
- Unlike IPv4, when UDP packets are originated by an IPv6 node, the UDP checksum is not optional. That is, whenever originating a UDP packet, an IPv6 node must compute a UDP checksum over the packet and the pseudo-header, and, if that computation yields a result of zero, it must be changed to hex FFFF for placement in the UDP header. IPv6 receivers must discard UDP packets containing a zero checksum, and should log the error.

A type 0 Routing header has the following format:

- Next Header - 8-bit selector.

Table A-9. IPv6 Routing Header (Traditional Representation)

| Next Header | Hdr Ext Len | Routing Type "0" | Segments Left "n" |
|------------------------------|-------------|---------------------|----------------------|
| Reserved | | | |
| Address[1] | | | |
| Address[2] | | | |
| ... | | | |
| Final Destination Address[n] | | | |

- Identifies the type of header immediately following the Routing header.
- Uses the same values as the IPv4 Protocol field [RFC-1700 et seq.].
- Hdr Ext Len - 8-bit unsigned integer. Length of the Routing header in 8-octet units, not including the first 8 octets. For the Type 0 Routing header, Hdr Ext Len is equal to two times the number of addresses in the header.
- Routing Type - 0.
- Segments Left - 8-bit unsigned integer. Number of route segments remaining, i.e., number of explicitly listed intermediate nodes still to be visited before reaching the final destination. Equal to "n" at the source node.

Reserved - 32-bit reserved field. Initialized to zero for transmission; ignored on reception.

- Address[1...n] - Vector of 128-bit addresses, numbered 1 to n.

The UDP header is always 8 bytes in size with no options.

Table A-10. UDP Header (Traditional Representation)

| | | | |
|-----------------|------------------------------|------------------------------|------------------------------|
| 0 1 2 3 4 5 6 7 | 8 9 ¹ 0 1 2 3 4 5 | 6 7 8 9 ² 0 1 2 3 | 4 5 6 7 8 9 ³ 0 1 |
| Source Port | | Destination Port | |
| Length | | Checksum | |



Table A-11. UDP Header (Little Endian Order)

| Byte3 | | | | | | | | Byte2 | | | | | | | | Byte1 | | | | | | | | Byte0 | | | | | | | |
|------------------|---|---|---|---|---|---|---|-------|---|---|---|---|---|---|---|-------------|---|---|---|---|---|---|---|-------|---|---|---|---|---|---|---|
| 0 | 1 | 2 | 3 | 4 | 5 | 6 | 7 | 0 | 1 | 2 | 3 | 4 | 5 | 6 | 7 | 0 | 1 | 2 | 3 | 4 | 5 | 6 | 7 | 0 | 1 | 2 | 3 | 4 | 5 | 6 | 7 |
| Destination Port | | | | | | | | | | | | | | | | Source Port | | | | | | | | | | | | | | | |
| Checksum | | | | | | | | | | | | | | | | Length | | | | | | | | | | | | | | | |

UDP pseudo header has the same format as the TCP pseudo header. The pseudo header conceptually prefixed to the UDP header contains the IPv4 source address, the IPv4 destination address, the IPv4 protocol field, and the UDP length (same as the TCP Length discussed above). This checksum procedure is the same as is used in TCP.

Unlike the TCP checksum, the UDP checksum is optional (for IPv4). Software must set the TXSM bit in the TCP/IP Context Transmit Descriptor to indicate that a UDP checksum should be inserted. Hardware will not overwrite the UDP checksum unless the TXSM bit is set.



Note: This page intentionally left blank.

Mouser Electronics

Authorized Distributor

Click to View Pricing, Inventory, Delivery & Lifecycle Information:

[Intel:](#)

[WGI210IS S LJXX](#) [WGI210AT S LJXR](#) [WGI210AT S LJXQ](#) [WGI210IT S LJXT](#)

Данный компонент на территории Российской Федерации

Вы можете приобрести в компании MosChip.

Для оперативного оформления запроса Вам необходимо перейти по данной ссылке:

<http://moschip.ru/get-element>

Вы можете разместить у нас заказ для любого Вашего проекта, будь то серийное производство или разработка единичного прибора.

В нашем ассортименте представлены ведущие мировые производители активных и пассивных электронных компонентов.

Нашей специализацией является поставка электронной компонентной базы двойного назначения, продукции таких производителей как XILINX, Intel (ex.ALTERA), Vicor, Microchip, Texas Instruments, Analog Devices, Mini-Circuits, Amphenol, Glenair.

Сотрудничество с глобальными дистрибьюторами электронных компонентов, предоставляет возможность заказывать и получать с международных складов практически любой перечень компонентов в оптимальные для Вас сроки.

На всех этапах разработки и производства наши партнеры могут получить квалифицированную поддержку опытных инженеров.

Система менеджмента качества компании отвечает требованиям в соответствии с ГОСТ Р ИСО 9001, ГОСТ РВ 0015-002 и ЭС РД 009

Офис по работе с юридическими лицами:

105318, г.Москва, ул.Щербаковская д.3, офис 1107, 1118, ДЦ «Щербаковский»

Телефон: +7 495 668-12-70 (многоканальный)

Факс: +7 495 668-12-70 (доб.304)

E-mail: info@moschip.ru

Skype отдела продаж:

moschip.ru

moschip.ru_4

moschip.ru_6

moschip.ru_9