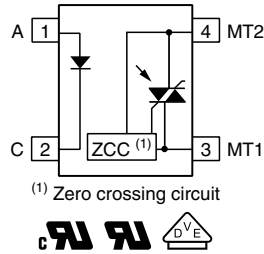


# Optocoupler, Phototriac Output, Zero Crossing, High dV/dt, Low Input Current, SOP-4 Package



22995


**RoHS**  
COMPLIANT

## FEATURES

- Flat 2.0 mm SOP-4 package
- High static dV/dt 1000 V/μs
- High input sensitivity  $I_{FT} = 5$  mA
- 100 mA on-state current
- Zero voltage crossing detector
- 800 V peak off-state blocking voltage
- Isolation rated voltage 3750 V<sub>RMS</sub>
- Material categorization: for definitions of compliance please see [www.vishay.com/doc?99912](http://www.vishay.com/doc?99912)

## APPLICATIONS

- Power TRIAC driver in solid-state relays
- 3-phase AC equipment
- Motor control
- Industrial control
- White goods / household equipment

## AGENCY APPROVALS

- [UL 1577](#)
- [cUL](#)
- [DIN EN 60747-5-5 \(VDE 0884-5\), available with option "V"](#)

## DESIGN SUPPORT TOOLS

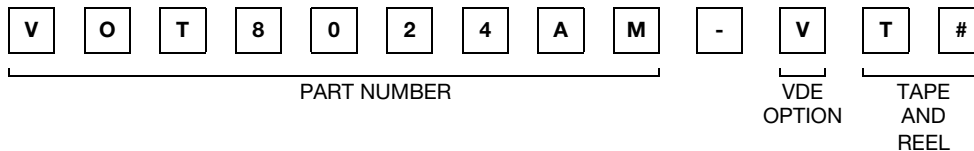
[click logo to get started](#)


## DESCRIPTION

The VOT8024AM consists of a GaAs IRLED optically coupled to a photosensitive zero crossing TRIAC packaged in a board space saving tiny flat SOP-4 package.

The VOT8024AM isolates low-voltage logic from 120 V<sub>AC</sub>, 240 V<sub>AC</sub>, and 380 V<sub>AC</sub> lines to control resistive, inductive, or capacitive loads including motors, solenoids, high current thyristors or TRIAC and relays.

## ORDERING INFORMATION



| AGENCY CERTIFIED/PACKAGE | TRIGGER CURRENT, $I_{FT}$ (mA) |
|--------------------------|--------------------------------|
| <b>UL, cUL</b>           | <b>5</b>                       |
| SOP-4                    | VOT8024AM-T                    |
| SOP-4, 180° orientation  | VOT8024AM-T2                   |
| <b>VDE, UL, cUL</b>      | <b>5</b>                       |
| SOP-4                    | VOT8024AM-VT                   |
| SOP-4, 180° orientation  | VOT8024AM-VT2                  |



| ABSOLUTE MAXIMUM RATINGS (T <sub>amb</sub> = 25 °C, unless otherwise specified) |                    |                     |             |      |
|---|--------------------|---------------------|-------------|------|
| PARAMETER   | TEST CONDITION     | SYMBOL              | VALUE       | UNIT |
| <b>INPUT</b>  |                    |                     |             |      |
| Reverse voltage   |                    | V <sub>R</sub>      | 6           | V    |
| Forward current   |                    | I <sub>F</sub>      | 50          | mA   |
| Power dissipation   |                    | P <sub>diss</sub>   | 70          | mW   |
| Junction temperature  |                    | T <sub>j</sub>      | 125         | °C   |
| <b>OUTPUT</b>   |                    |                     |             |      |
| Peak off-state voltage  |                    | V <sub>DRM</sub>    | 800         | V    |
| Power dissipation   |                    | P <sub>diss</sub>   | 300         | mW   |
| On-state current  |                    | I <sub>T(RMS)</sub> | 100         | mA   |
| Peak repetitive surge current   | PW = 1 ms, 120 pps | I <sub>TSM</sub>    | 1           | A    |
| Junction temperature  |                    | T <sub>j</sub>      | 125         | °C   |
| <b>COUPLER</b>  |                    |                     |             |      |
| Storage temperature range   |                    | T <sub>stg</sub>    | -55 to +150 | °C   |
| Ambient temperature range   |                    | T <sub>amb</sub>    | -55 to +110 | °C   |
| Total power dissipation   |                    | P <sub>diss</sub>   | 330         | mW   |
| Soldering temperature   | For 10 s           | T <sub>sld</sub>    | 260         | °C   |

Note

- Stresses in excess of the absolute maximum ratings can cause permanent damage to the device. Functional operation of the device is not implied at these or any other conditions in excess of those given in the operational sections of this document. Exposure to absolute maximum ratings for extended periods of the time can adversely affect reliability. This phototriac should not be used to drive a load directly. It is intended to be a trigger device only

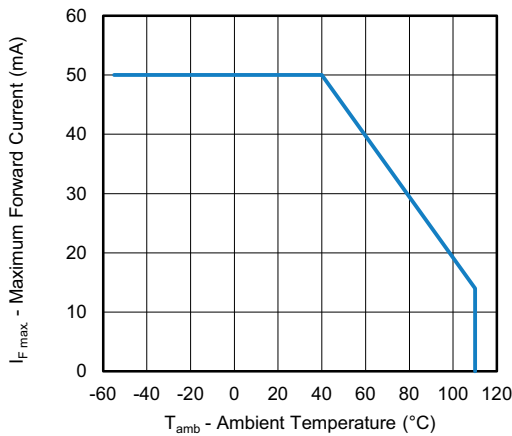


Fig. 1 - Maximum Forward Current vs. Ambient Temperature

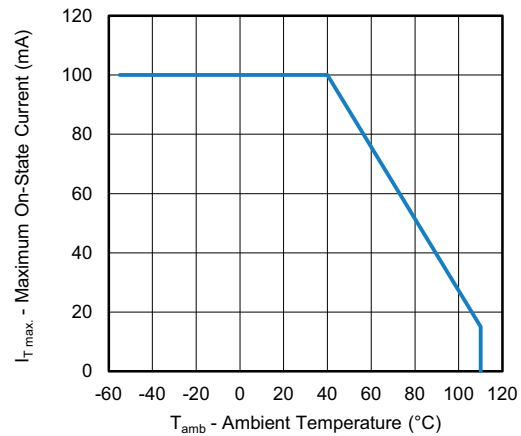


Fig. 2 - Maximum On-State Current vs. Ambient Temperature



| <b>ELECTRICAL CHARACTERISTICS</b> ( $T_{amb} = 25\text{ }^{\circ}\text{C}$ , unless otherwise specified) |   |               |      |      |      |                        |
|--|---|---------------|------|------|------|------------------------|
| PARAMETER  | TEST CONDITION  | SYMBOL        | MIN. | TYP. | MAX. | UNIT                   |
| <b>INPUT</b>   |   |               |      |      |      |                        |
| Forward voltage  | $I_F = 20\text{ mA}$  | $V_F$         | -    | 1.2  | 1.4  | V                      |
| Reverse current  | $V_R = 6\text{ V}$  | $I_R$         | -    | 0.05 | 10   | $\mu\text{A}$          |
| <b>OUTPUT</b>  |   |               |      |      |      |                        |
| Off-state current  | $V_{DRM} = 800\text{ V}$  | $I_{DRM}$     | -    | -    | 0.5  | $\mu\text{A}$          |
| On-state voltage   | $I_T = 100\text{ mA peak}$  | $V_{TM}$      | -    | -    | 3    | V                      |
| Holding current  |   | $I_H$         | -    | 400  | -    | $\mu\text{A}$          |
| Zero cross inhibit voltage   | $I_F = \text{rated } I_{FT}$  | $V_{INH}$     | -    | 5    | 20   | V                      |
| Critical rate of rise of off-state voltage   |   | $dV/dt^{(1)}$ | 1000 | -    | -    | $\text{V}/\mu\text{s}$ |
| Leakage in inhibit state   | $I_F = \text{rated } I_{FT}, \text{ rated } V_{DRM}, \text{ off-state}$ | $I_{DRM2}$    | -    | -    | 500  | $\mu\text{A}$          |
| <b>COUPLER</b>   |   |               |      |      |      |                        |
| Trigger current  | $V_{TM} = 3\text{ V}$   | $I_{FT}$      | -    | -    | 5    | mA                     |

**Notes**

- Minimum and maximum values were tested requirements. Typical values are characteristics of the device and are the result of engineering evaluations. Typical values are for information only and are not part of the testing requirements
- <sup>(1)</sup> Static  $dV/dt$

| <b>SAFETY AND INSULATION RATINGS</b> ( $T_{amb} = 25\text{ }^{\circ}\text{C}$ , unless otherwise specified) |  |            |               |                    |
|---|--|------------|---------------|--------------------|
| PARAMETER   | TEST CONDITION   | SYMBOL     | VALUE         | UNIT               |
| Climatic classification   | According to IEC 68 part 1                                     |            | 55 / 115 / 21 |                    |
| Comparative tracking index  | Insulation group IIIa  | CTI        | 175           |                    |
| Maximum rated withstanding isolation voltage  | According to UL1577, $t = 1\text{ min}$                        | $V_{ISO}$  | 3750          | $V_{RMS}$          |
| Maximum transient isolation voltage   | According to DIN EN 60747-5-5                                  | $V_{IOTM}$ | 6000          | $V_{peak}$         |
| Maximum repetitive peak isolation voltage   | According to DIN EN 60747-5-5                                  | $V_{IORM}$ | 565           | $V_{peak}$         |
| Isolation resistance  | $V_{IO} = 500\text{ V}, T_{amb} = 25\text{ }^{\circ}\text{C}$  | $R_{IO}$   | $10^{12}$     | $\Omega$           |
|   | $V_{IO} = 500\text{ V}, T_{amb} = 100\text{ }^{\circ}\text{C}$ | $R_{IO}$   | $10^{11}$     | $\Omega$           |
| Output safety power   |  | $P_{SO}$   | 300           | mW                 |
| Input safety current  |  | $I_{SI}$   | 50            | mA                 |
| Input safety temperature  |  | $T_S$      | 150           | $^{\circ}\text{C}$ |
| Creepage distance   |  |            | > 5           | mm                 |
| Clearance distance  |  |            | > 5           | mm                 |
| Insulation thickness  |  | DTI        | > 0.4         | mm                 |

**Note**

- As per IEC 60747-5-5, § 7.4.3.8.2, this optocoupler is suitable for "safe electrical insulation" only within the safety ratings. Compliance with the safety ratings shall be ensured by means of protective circuits



TYPICAL CHARACTERISTICS (T<sub>amb</sub> = 25 °C, unless otherwise specified)

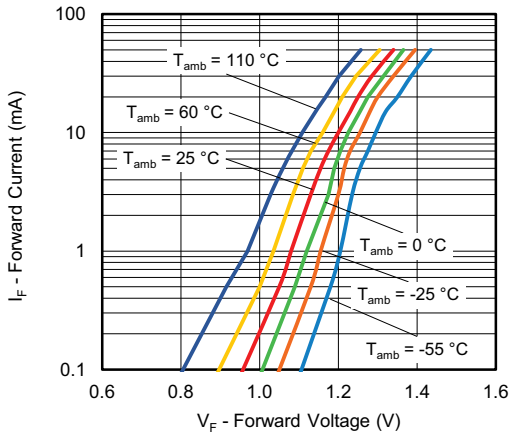


Fig. 3 - Forward Current vs. Forward Voltage

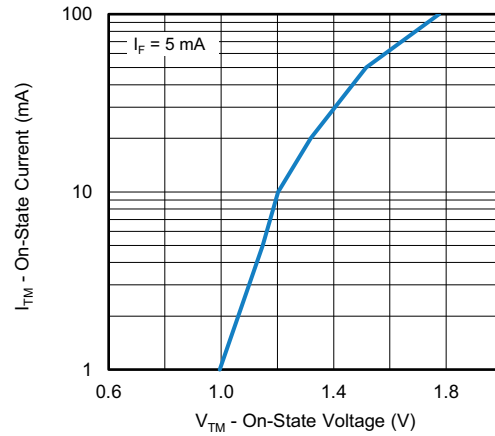


Fig. 6 - On State Current vs. On State Voltage

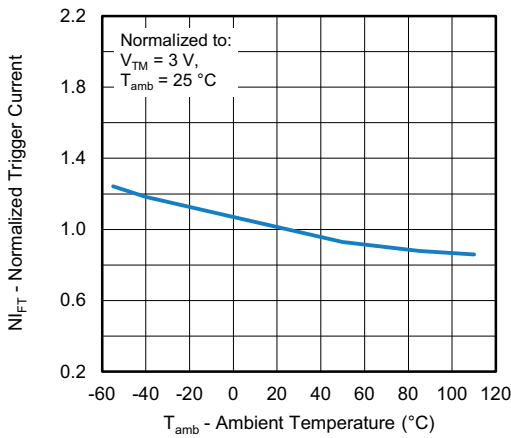


Fig. 4 - Normalized Trigger Current vs. Ambient Temperature

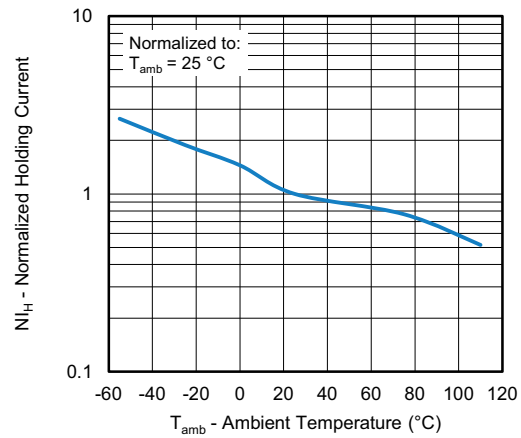


Fig. 7 - Normalized Holding Current vs. Ambient Temperature

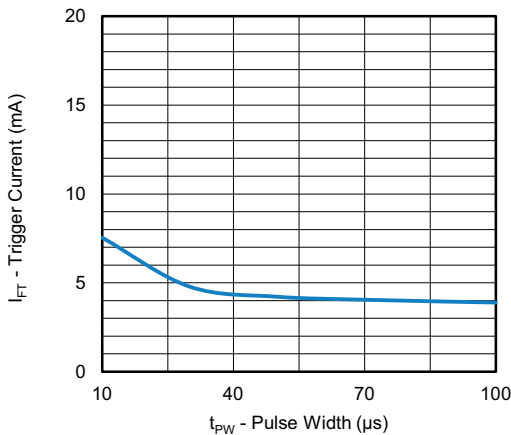


Fig. 5 - Trigger Current vs. Pulse Width

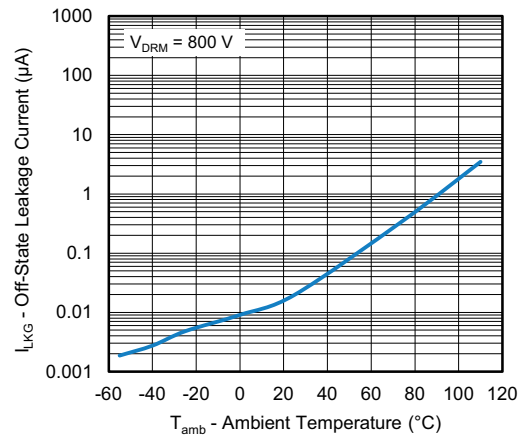


Fig. 8 - Off-State Leakage Current vs. Ambient Temperature

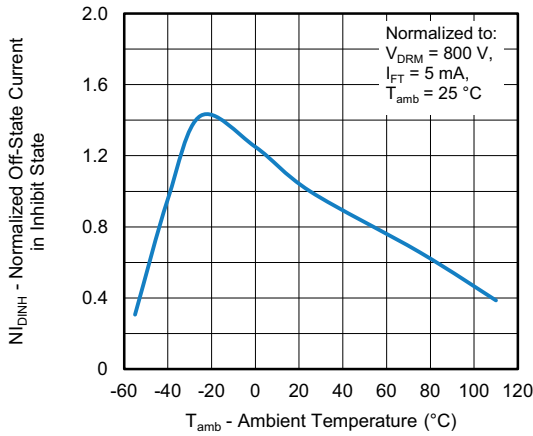


Fig. 9 - Off-State Current in Inhibit State vs. Ambient Temperature

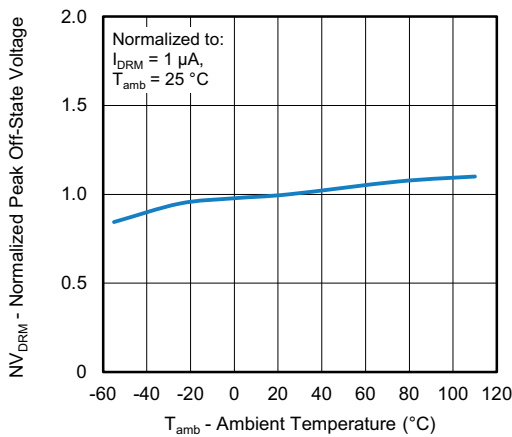


Fig. 10 - Normalized Peak Off-State Voltage vs. Ambient Temperature

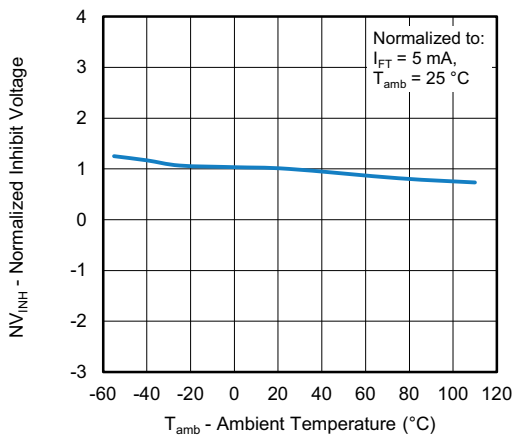


Fig. 11 - Normalized Inhibit Voltage vs. Ambient Temperature

**PACKAGE DIMENSIONS** (in millimeters)

**SOP-4**

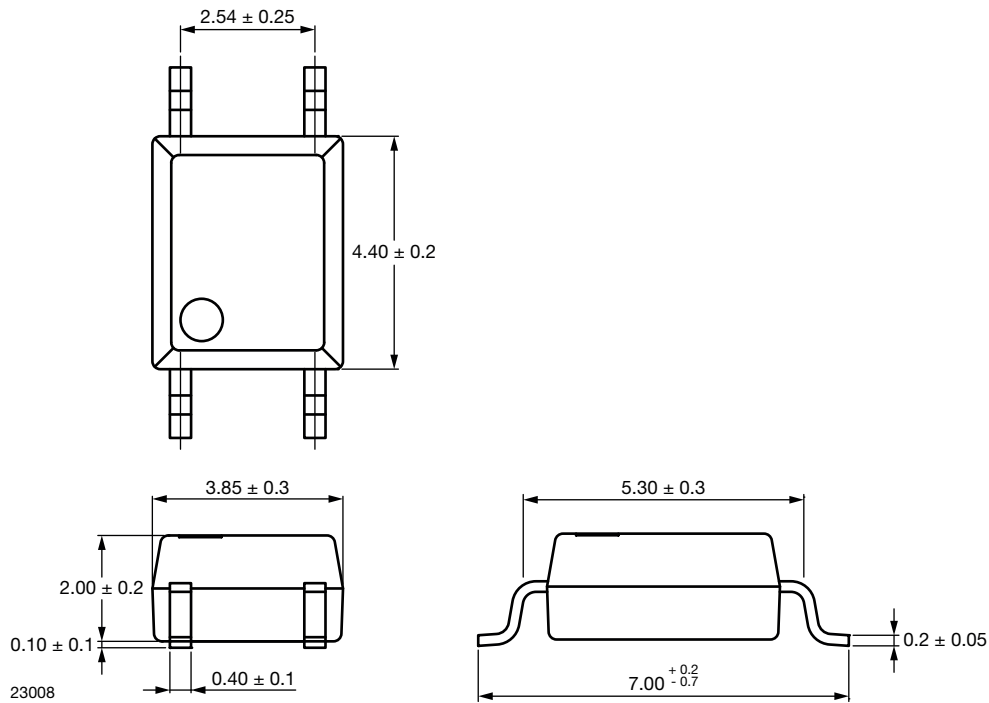


Fig. 1

**PACKAGE MARKING**

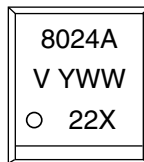


Fig. 12 - Example of VOT8024AM-VT

**Notes**

- “YWW” is the date code marking (Y = year code, WW = week code)
- “X” is only marked on VDE option parts
- Tape and reel suffix (T) is not part of the package marking

**PACKAGING INFORMATION** (in millimeters)

**Tape SOP-4**

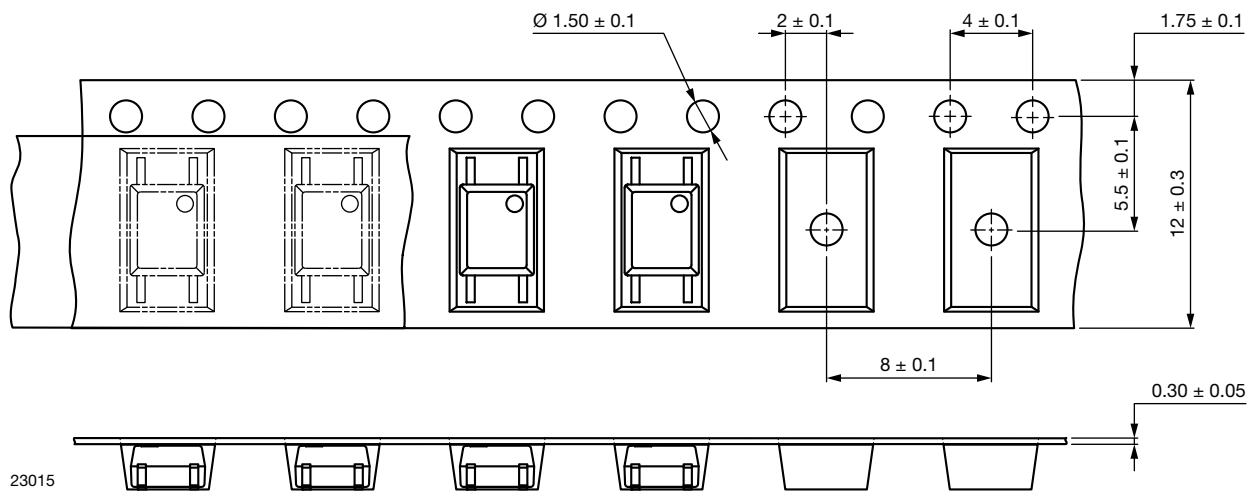


Fig. 13 - Tape and Reel Packaging (3000 pieces on reel)

**Tape SOP-4, 180° Orientation**

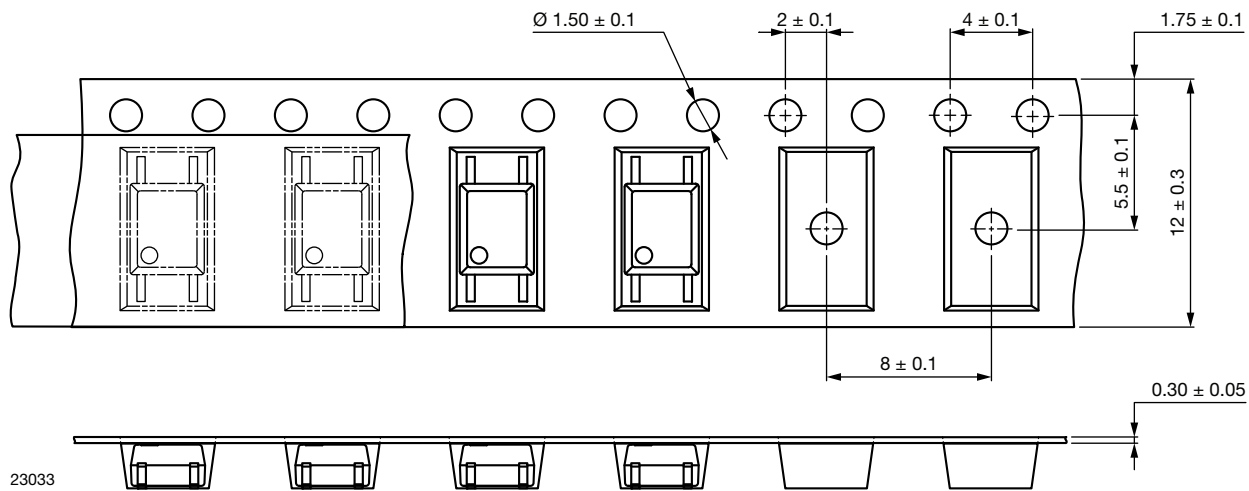


Fig. 14 - Tape and Reel Packaging (3000 pieces on reel)

Reel

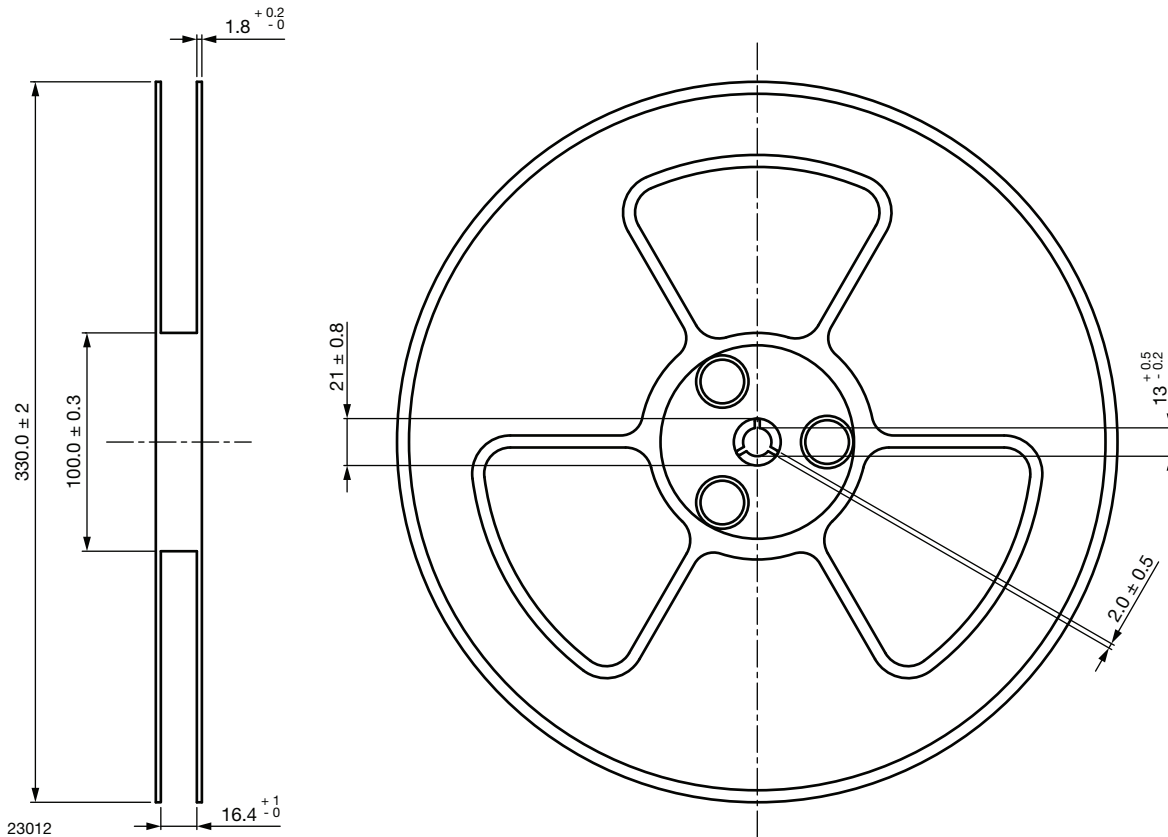


Fig. 15 - Tape and Reel Shipping Medium



**SOLDER PROFILES**
**IR Reflow Soldering (JEDEC® J-STD-020C compliant)**

One time soldering reflow is recommended within the condition of temperature and time profile shown below. Do not solder more than three times.

| PROFILE ITEM                                   | CONDITIONS       |
|--|------------------|
| Preheat  |                  |
| - Temperature minimum ( $T_{S \text{ min.}}$ ) | 150 °C           |
| - Temperature maximum ( $T_{S \text{ max.}}$ ) | 200 °C           |
| - Time (min. to max.) ( $t_S$ )                | 90 s ± 30 s      |
| Soldering zone                                 |                  |
| - Temperature ( $T_L$ )                        | 217 °C           |
| - Time ( $t_L$ )                               | 60 s             |
| Peak temperature ( $T_p$ )                     | 260 °C           |
| Ramp-up rate                                   | 3 °C/s max.      |
| Ramp-down rate                                 | 3 °C/s to 6 °C/s |

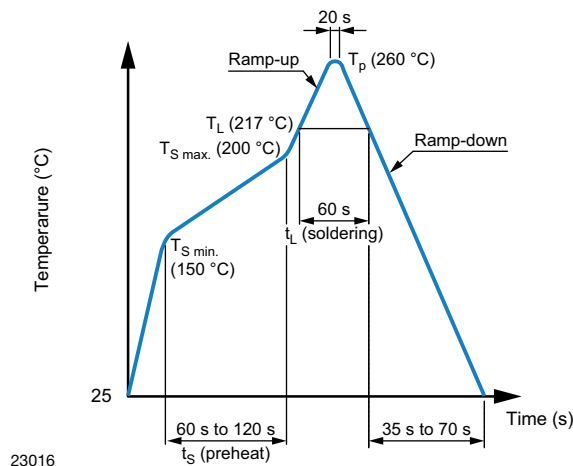


Fig. 2

**Wave Soldering (JEDEC JESD22-A111 compliant)**

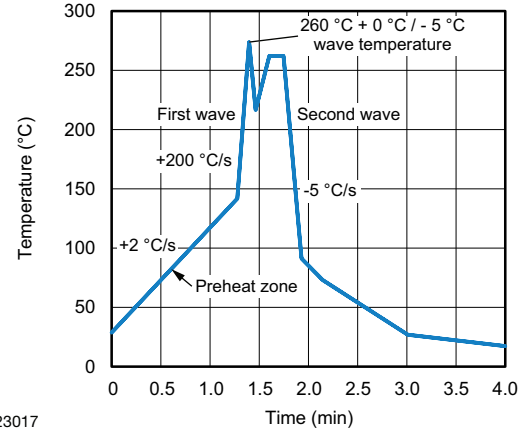
One time soldering is recommended within the condition of temperature.

Temperature: 260 °C + 0 °C / - 5 °C

Time: 10 s

Preheat temperature: 25 °C to 140 °C

Preheat time: 30 s to 80 s



23017

Fig. 3

**Hand Soldering by Soldering Iron**

Allow single lead soldering in every single process. One time soldering is recommended.

Temperature: 380 °C + 0 °C / - 5 °C

Time: 3 s max.

**HANDLING AND STORAGE CONDITIONS**

ESD level: HBM class 2

Floor life: unlimited

Conditions:  $T_{\text{amb}} < 30 \text{ °C}$ , RH < 85 %

Moisture sensitivity level 1, according to J-STD-020



## **Disclaimer**

ALL PRODUCT, PRODUCT SPECIFICATIONS AND DATA ARE SUBJECT TO CHANGE WITHOUT NOTICE TO IMPROVE RELIABILITY, FUNCTION OR DESIGN OR OTHERWISE.

Vishay Intertechnology, Inc., its affiliates, agents, and employees, and all persons acting on its or their behalf (collectively, "Vishay"), disclaim any and all liability for any errors, inaccuracies or incompleteness contained in any datasheet or in any other disclosure relating to any product.

Vishay makes no warranty, representation or guarantee regarding the suitability of the products for any particular purpose or the continuing production of any product. To the maximum extent permitted by applicable law, Vishay disclaims (i) any and all liability arising out of the application or use of any product, (ii) any and all liability, including without limitation special, consequential or incidental damages, and (iii) any and all implied warranties, including warranties of fitness for particular purpose, non-infringement and merchantability.

Statements regarding the suitability of products for certain types of applications are based on Vishay's knowledge of typical requirements that are often placed on Vishay products in generic applications. Such statements are not binding statements about the suitability of products for a particular application. It is the customer's responsibility to validate that a particular product with the properties described in the product specification is suitable for use in a particular application. Parameters provided in datasheets and / or specifications may vary in different applications and performance may vary over time. All operating parameters, including typical parameters, must be validated for each customer application by the customer's technical experts. Product specifications do not expand or otherwise modify Vishay's terms and conditions of purchase, including but not limited to the warranty expressed therein.

Except as expressly indicated in writing, Vishay products are not designed for use in medical, life-saving, or life-sustaining applications or for any other application in which the failure of the Vishay product could result in personal injury or death. Customers using or selling Vishay products not expressly indicated for use in such applications do so at their own risk. Please contact authorized Vishay personnel to obtain written terms and conditions regarding products designed for such applications.

No license, express or implied, by estoppel or otherwise, to any intellectual property rights is granted by this document or by any conduct of Vishay. Product names and markings noted herein may be trademarks of their respective owners.

## Данный компонент на территории Российской Федерации

### Вы можете приобрести в компании MosChip.

Для оперативного оформления запроса Вам необходимо перейти по данной ссылке:

<http://moschip.ru/get-element>

Вы можете разместить у нас заказ для любого Вашего проекта, будь то серийное производство или разработка единичного прибора.

В нашем ассортименте представлены ведущие мировые производители активных и пассивных электронных компонентов.

Нашей специализацией является поставка электронной компонентной базы двойного назначения, продукции таких производителей как XILINX, Intel (ex.ALTERA), Vicor, Microchip, Texas Instruments, Analog Devices, Mini-Circuits, Amphenol, Glenair.

Сотрудничество с глобальными дистрибьюторами электронных компонентов, предоставляет возможность заказывать и получать с международных складов практически любой перечень компонентов в оптимальные для Вас сроки.

На всех этапах разработки и производства наши партнеры могут получить квалифицированную поддержку опытных инженеров.

Система менеджмента качества компании отвечает требованиям в соответствии с ГОСТ Р ИСО 9001, ГОСТ РВ 0015-002 и ЭС РД 009

### Офис по работе с юридическими лицами:

105318, г.Москва, ул.Щербаковская д.3, офис 1107, 1118, ДЦ «Щербаковский»

Телефон: +7 495 668-12-70 (многоканальный)

Факс: +7 495 668-12-70 (доб.304)

E-mail: [info@moschip.ru](mailto:info@moschip.ru)

Skype отдела продаж:

moschip.ru

moschip.ru\_4

moschip.ru\_6

moschip.ru\_9