

# DIO2711

## 3-Vrms Anti Surge Audio Driver with Integrated One-ch, 6<sup>th</sup>-Order SD Video Filter

### Features

- Line Output: able to drive 600Ω and 10kΩ
  - 3Vrms With 5V Supply Voltage
  - No Pop/Clicks Noise at the line output when Power ON/OFF
  - No Need for Output DC-Blocking Capacitors
  - Accepting Single terminal Input
- SD Filter: One-ch 6<sup>th</sup>-order 11MHz SD filters
  - 6dB Output Driver Gain
  - Drive Dual Video Load
  - Transparent Input Clamping
  - AC or DC Coupled Inputs/Outputs
- Anti Surge Capacity
- Optimized Frequency Response between 20Hz–20kHz

### Applications

- DVD Players
- Video Amplifiers
- Set-Top Boxes
- Personal Video Recorders
- Communications Devices

### Ordering Information

Order Part Number	Top Marking		T <sub>A</sub>		Package
DIO2711CS14	DIO2711	Green/RoHS	-40 to +85°C	SOIC-14	Tape & Reel, 2500

### Descriptions

The DIO2711 is an integrated solution for Video driver and Audio driver, with two separated modules, the Anti Surge Audio Driver module and One-ch 6<sup>th</sup>-order SD Video filter driver module.

The Audio Line Driver allow for the removal of output AC-coupling capacitors. It is designed to optimize the audio driver circuit performance while reducing the BOM cost by eliminating the peripheral discrete components for noise reduction. It is able to offer 3Vrms output with 2.5kΩ load and 5V supply.

The 6<sup>th</sup>-order SD Video filter driver provides improved image quality compared with passive LC filters and discrete driver solution, especially suited for standard definition video signals. It can be directly driven by a DC-coupled DAC output or an AC-coupled signal. Internal diode-like clamps and bias circuitry may be used if AC-coupled inputs are required. The output can also drive AC or DC coupled single (150Ω) or dual (75Ω) loads. The DC coupling capacitors can be removed.

## Pin Assignments

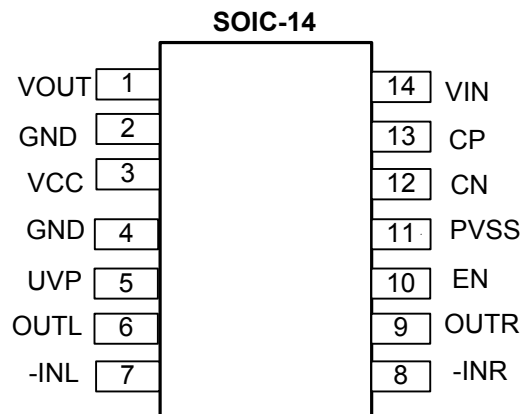


Figure 1 Pin Assignment

## Pin Description

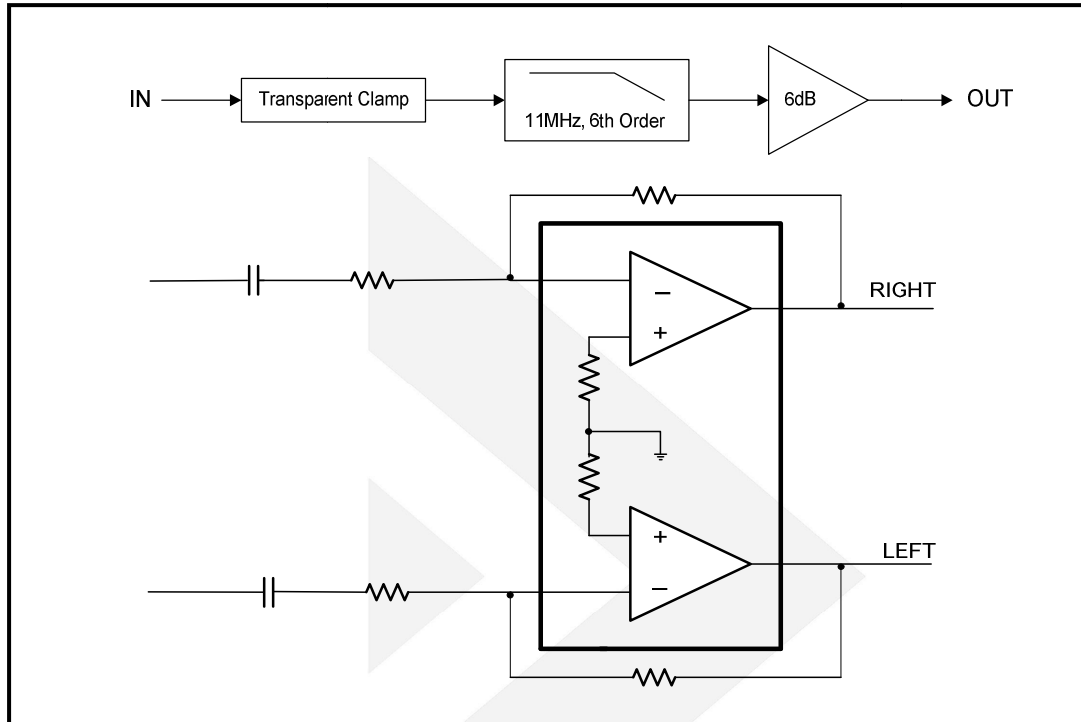
Pin Name	Description
VOUT	Video filter driver Output
GND	Video filter driver power ground
VCC	Power supply
UVP	Under voltage protection input
OUTL	Left channel Output
-INL	Left channel Negative Input
-INR	Right channel Negative Input
OUTR	Right channel Output
EN	Mute input, active-low
PVSS	Negative Supply Voltage
CN	Charge-pump flying capacitor negative terminal
CP	Charge-pump flying capacitor positive terminal
VIN	Video filter driver Input



# DIO2711

3-Vrms Anti Surge Audio Driver with Integrated 6<sup>th</sup> -Order SD Video Filter

## Block Diagram



## Absolute Maximum Ratings

Stresses beyond those listed under "Absolute Maximum Rating" may cause permanent damage to the device. These are stress ratings only and functional operation of the device at these or any other condition beyond those indicated in the operational sections of the specifications is not implied. Exposure to absolute maximum rating conditions for extended periods may affect device reliability.

Parameter	Rating	Unit
Supply Voltage/ $V_{CC}$	0 to 6.0	V
Input Voltage/ $V_{IN}$	-0.3 to $V_{CC}+0.3$	V
Input Voltage/ $-IN_R, -IN_L$	$V_{SS}-0.3$ to $V_{CC}+0.3$	V
Minimum load impedance	600	$\Omega$
EN to GND	-0.3 to $V_{CC} +0.3$	V
Storage Temperature Range	-65 to 150	$^{\circ}C$
Junction Temperature	150	$^{\circ}C$
Lead Temperature Range	260	$^{\circ}C$
HBM ESD JEDEC: JESD22-A114	Output Pins	8
	All Pins	5
		kV



# DIO2711

## Recommended Operating Conditions

The Recommended Operating Conditions table defines the conditions for actual device operation to ensure optimal performance to the datasheet specifications. DIOO does not recommend exceeding them or designing to Absolute Maximum Ratings.

Symbol	Parameter	Min.	Typ.	Max.	Unit
VCC	Supply Voltage	4.75	5	5.25	V
V <sub>IH</sub>	EN High level Input Voltage	1.2			V
V <sub>IL</sub>	EN Low level Input Voltage			0.4	V
T <sub>A</sub>	Operating Temperature Range	-40		85	°C

**Notes:** The items below were divided into two parts, the Audio Line driver module and the SD Video filter module.

## Electrical Characteristics for the Audio Line Driver module

Typical value: T<sub>A</sub> = 25°C, V<sub>CC</sub>=5V, unless otherwise specified.

Symbol	Parameter	Conditions	Min.	Typ.	Max.	Unit
I <sub>CC</sub>	Supply current	V <sub>CC</sub> =5V, V <sub>I</sub> =V <sub>CC</sub> , No load		22	26	mA
		Shutdown mode, V <sub>CC</sub> = 5V		9	13.5	
V <sub>OS</sub>	Output Offset Voltage	V <sub>CC</sub> =5V, Input grounded, Gain=100		1		mV
OVP	V <sub>DD</sub> Over Voltage Protection	V <sub>CC</sub> >5.5V, then IC shutdown	5.5			V
PSRR	Power supply rejection ratio	V <sub>CC</sub> =5V		85		dB
V <sub>OH</sub>	High level output voltage	V <sub>CC</sub> =5V, R <sub>L</sub> =2.5kΩ	3.1			V
V <sub>OL</sub>	Low level output voltage	V <sub>CC</sub> =5V, R <sub>L</sub> =2.5kΩ			-3.05	V
I <sub>IH</sub>	EN High level input current	V <sub>CC</sub> =5V, V <sub>I</sub> =V <sub>CC</sub>			1	μA
I <sub>IL</sub>	EN Low level input current	V <sub>CC</sub> =5V, V <sub>I</sub> =0V			1	μA
V <sub>O</sub>	Output Voltage	THD=1%, V <sub>CC</sub> =5V, f=1kHz, R <sub>L</sub> =100kΩ	3.1			V <sub>RMS</sub>
THD+N	Total harmonic distortion + noise	V <sub>O</sub> =2V <sub>RMS</sub> , f=1kHz, R <sub>L</sub> =10kΩ		0.001		%
X <sub>TALK</sub>	Channel crosstalk	V <sub>O</sub> =2V <sub>RMS</sub> , f=1kHz		-100		dB
I <sub>O</sub>	Maximum output current	V <sub>CC</sub> =5V		18		mA
SNR	Signal noise ratio	V <sub>O</sub> =3V <sub>RMS</sub> , BW=22kHz, A-weighted		108		dB
SR	Slew rate			11.8		V/μs
C <sub>L</sub>	Maximum capacitive load			220		pF
V <sub>N</sub>	Noise output voltage	BW=20Hz to 22kHz		6		μV <sub>RMS</sub>
G <sub>BW</sub>	Unity gain bandwidth			8		MHZ
A <sub>VO</sub>	Open loop voltage gain			150		dB
V <sub>UVP</sub>	External under-voltage detection		1.07	1.11	1.15	V
I <sub>Hys</sub>	External under-voltage detection hysteresis current			5		μA



# DIO2711

3-Vrms Anti Surge Audio Driver with Integrated 6<sup>th</sup>-Order SD Video Filter

## Electrical Characteristics for the SD Video Filter module

Typical value:  $T_A = 25^\circ\text{C}$ ,  $V_{CC}=5\text{V}$ ,  $R_{SOURCE}=37.5\Omega$ ,  $R_L=150\Omega$  loads; all inputs are AC couple with  $0.1\mu\text{F}$ ; all outputs are AC coupled with  $220\mu\text{F}$ ; unless otherwise specified.

Symbol	Parameter	Conditions	Min.	Typ.	Max.	Unit
<b>DC ELECTRICAL CHARACTERISTICS</b>						
$V_{IN}$	Video Input Voltage Range		GND	1.4		$V_{PP}$
PSRR	Power Supply Rejection			-50		dB
<b>DYNAMIC PERFORMANCE</b>						
AV	Channel Gain		5.8	6.0	6.2	dB
$f_{1dB}$	-1dB Bandwidth		8.0	10.5		MHz
$f_{3dB}$	-3dB Bandwidth		9	11.8		MHz
	Filter Response	$f=27\text{MHz}$		-40		dB
DG	Differential Gain			0.2		%
DP	Differential Phase			0.36		°
THD	Output Distortion	$f=1\text{MHz}$		0.38		%
$X_{TALK}$	Crosstalk	$f=1\text{MHz}$		-74		dB
SNR	Signal to Noise Ratio			70		dB
	Group Delay	$f=400\text{kHz}, 6.5\text{MHz}$		20		ns
CLG_SD	Chroma Luma Gain	$f=3.58\text{MHz}$ ref to SD in at 400kHz	95	100	105	%
CLD_SD	Chroma Luma Delay	$f=3.58\text{MHz}$ ref to SD in at 400kHz		5.5		ns

Notes:  $\text{SNR}=20 \cdot \log(714\text{mV} / \text{rms noise})$ .

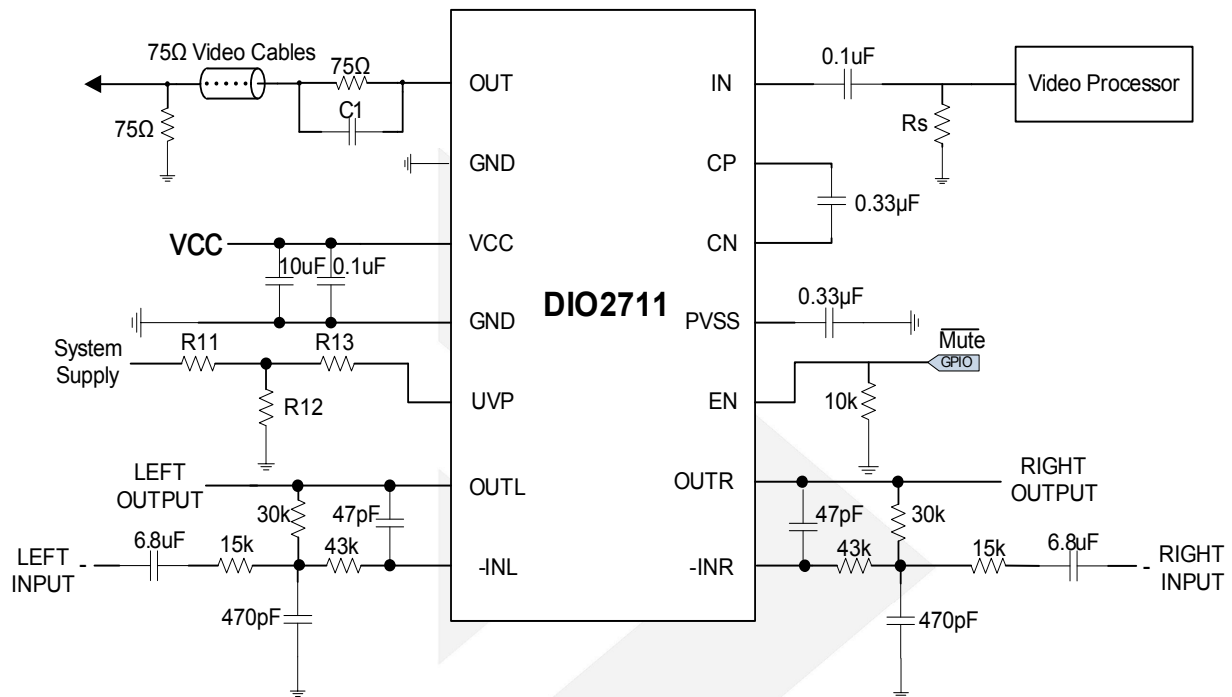
Specifications subject to change without notice.





# DIO2711

## Typical Application



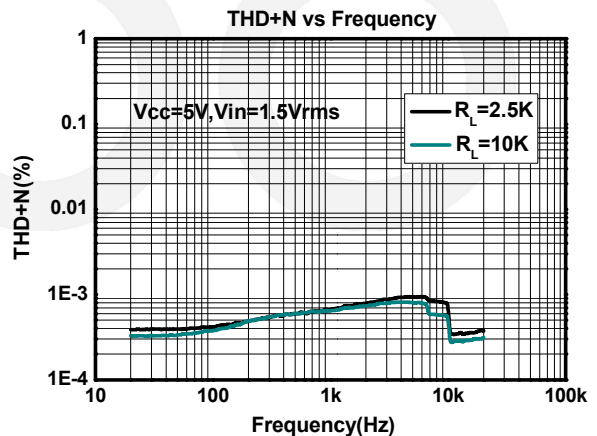
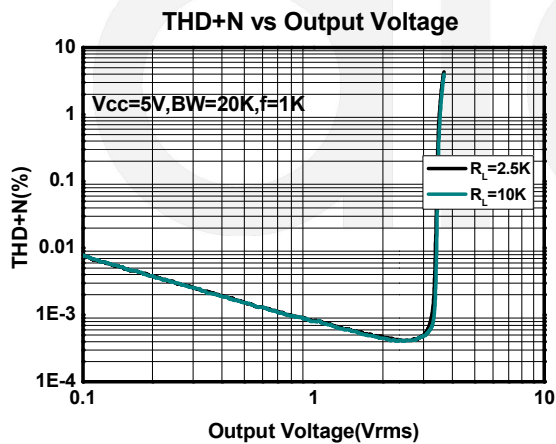
### Notes:

1. In some applications, if the power supply noise needs to be filtered, the ferrite bead is recommended in a value of 600Ω @100MHz, instead of RC network. RC network normally will lower the power supply resulting in the degraded the audio performance. If the resistor is not chosen properly, which can trigger the internal UVP detection circuit and mute the output. As depicted below.



## Typical Performance Characteristics

At  $T_A = +25^\circ\text{C}$ ,  $C_{PUMP}=0.33\mu\text{F}$ ,  $C_{PVSS}=0.33\mu\text{F}$ , unless otherwise noted.



## Application Notes

### Gain-Setting Resistors Ranges and Input-Blocking Capacitors

The gain-setting resistors,  $R_{IN}$  and  $R_{FB}$ , must be chosen so that noise, stability, and input capacitor size of the Audio driver are kept within acceptable limits. Voltage gain is defined as  $R_{FB}$  divided by  $R_{IN}$ .

Table 1 lists the recommended resistor value for different gain settings. Selecting values that are too low demands a large input ac-coupling capacitor  $C_{IN}$ . Selecting values that are too high increases the noise of the amplifier.

The gain-setting resistor must be placed close to the input pins to minimize capacitive loading on these input pins and to ensure maximum stability.

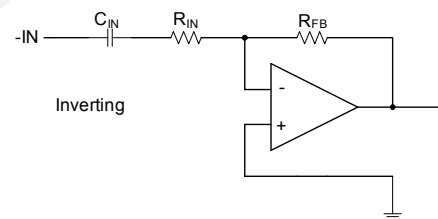
**Table 1 Input Capacitor with 2Hz cutoff and Resistor Values Recommended**

Input Res., $R_{IN}$	Feedback Res., $R_{fb}$	Inverting Gain
22 k $\Omega$	22 k $\Omega$	-1 V/V
15 k $\Omega$	30 k $\Omega$	-2 V/V
10 k $\Omega$	100 k $\Omega$	-10 V/V

$$f_{CIN} = \frac{1}{2\pi R_{IN} C_{IN}}, \text{ or}$$

$$C_{IN} = \frac{1}{2\pi R_{IN} f_{CIN}}$$

**Equation 1 Cutoff decision Cutoff**



**Figure 2 Inverting Gain Configurations**

### INPUT-BLOCKING CAPACITORS

DC input-blocking capacitors are required to be added in series with the audio signal into the input pins of the Audio driver. These capacitors block the dc portion of the audio source and allow the Audio driver inputs to be properly biased to provide maximum performance.

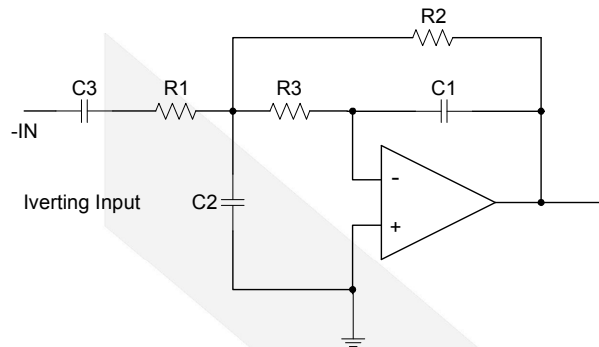
These capacitors form a high-pass filter with the input resistor,  $R_{IN}$ . The cutoff frequency is calculated using the equation below. For this calculation, the capacitance used is the input-blocking capacitor, and the resistance is the input resistor chosen from Table 1; then the frequency and/or capacitance can be determined when one of the two values is given.

### 2nd Order Filter Typical Application

Several audio DACs used today require an external low-pass filter to remove out-of-band noise. This is possible with the Audio line driver, as it can be used like a standard OPAMP. Several filter topologies can be implemented, single-ended.

An ac-coupling capacitor to remove dc content from the source is shown; it serves to block any dc content from the source and lowers the dc-gain to 1, helping reducing the output dc-offset to minimum.

The resistor values should have a low value for obtaining low noise, but should also have a high enough value to get a small size ac-coupling capacitor.



**Figure 3 Second-Order Active Low-Pass Filter**

### Charge Pump Flying Capacitor and PVSS Capacitor

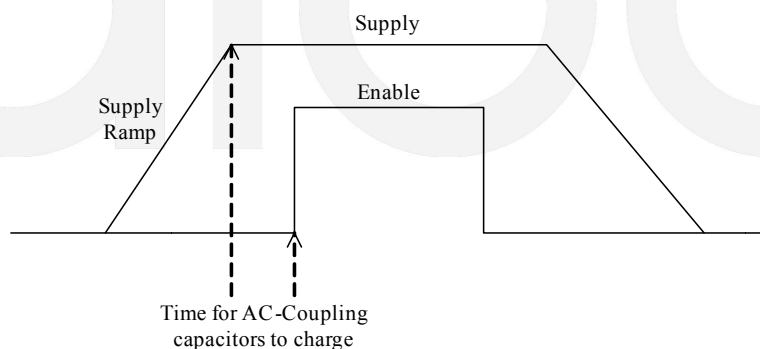
The charge pump flying capacitor serves to transfer charge during the generation of the negative supply voltage. The PVSS capacitor must be at least equal to the charge pump capacitor in order to allow maximum charge transfer. Low ESR X5 or X7 capacitors are recommended selection, and a value of 0.33 $\mu$ F is typical. Capacitor values that are smaller than 0.33 $\mu$ F can be used, but the maximum output voltage may be reduced and the device may not operate to specifications.

### Decoupling Capacitors

The Audio driver requires adequate power supply decoupling to ensure that the noise and total harmonic distortion (THD) are low. A good low equivalent-series-resistance (ESR) ceramic capacitor, typically a combine of paralleled 0.1 $\mu$ F and 10 $\mu$ F, placed as close as possible to the device VCC lead works best. Placing this decoupling capacitor close to the Audio driver is important for the performance of the amplifier. For filtering lower-frequency noise signals, a 10 $\mu$ F or greater capacitor placed near the audio power amplifier would also help, but it is not required in most applications because of the high PSRR of this device.

### Pop-Free Power-Up

Pop-free power up is ensured by keeping the EN (shutdown pin) low during power-supply ramp up and ramp down. The EN pin should be kept low until the input ac-coupling capacitors are fully charged before asserting the EN pin high to achieve pop-less power up. Figure 4 illustrates the preferred sequence.



**Figure 4 Power-Up Sequences**





## DIO2711

### External Under-voltage Detection

External under-voltage detection can be used to mute/shut down the Audio driver before an input device can generate a pop. Although the shutdown voltage is 1.11V typically, customers need to consider the accuracy of system passive components such as resistors and associated temperature variation. Users often select a resistor divider to obtain the power-on and shutdown threshold for the specific application. The typical thresholds can be determined as follows:

$$V_{UVP} = (1.11V - 6\mu A * R_{13}) * (R_{11} + R_{12}) / R_{12};$$

$$V_{\text{hysteresis}} = 5\mu A * R_{13} * (R_{11} + R_{12}) / R_{12};$$

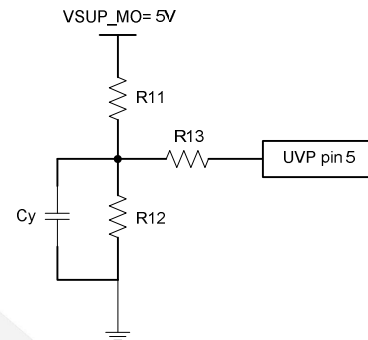
With the condition  $R_{13} \gg R_{11} // R_{12}$ .

For example, if  $R_{11} = 5.6k$ ,  $R_{12} = 2.2k$  and  $R_{13} = 47k$ ,

Then  $V_{UVP} = 2.935V$ ;  $V_{\text{hysteresis}} = 0.833V$

Here,  $V_{UVP}$  is the shutdown threshold.

Customer can adjust their own design to achieving the best performance between pop noise and power-on threshold by adjusting the passive resistors  $R_{11}$ ,  $R_{12}$  and  $R_{13}$ .



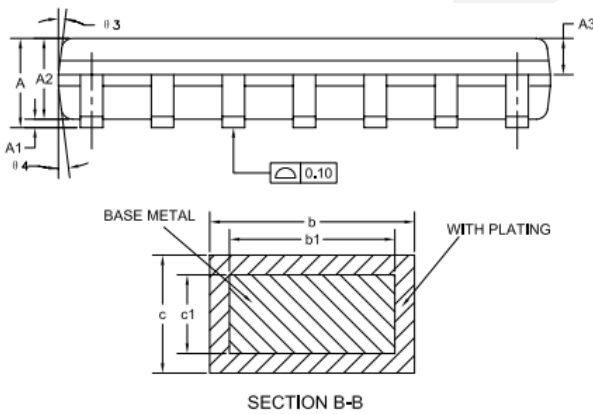
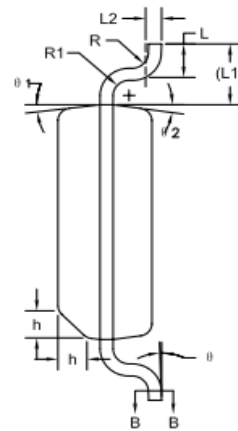
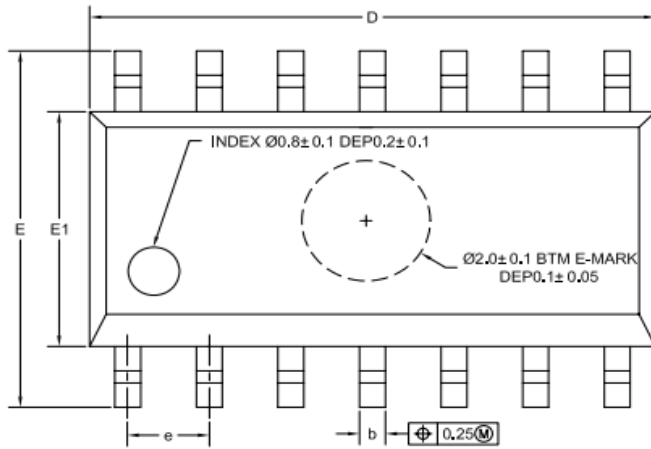
### Capacitive Load

The Audio driver has the ability to drive a high capacitive load up to 220 pF directly. Higher capacitive loads can be accepted by adding a series resistor of 47Ω or larger.

For further assistance, please contact DIOO worldwide sales office to seek technical support. You can find DIOO sales office information at [www.dioo.com](http://www.dioo.com).



Physical Dimensions: SOIC-14



COMMON DIMENSIONS (UNITS OF MEASURE=MILLIMETER)			
Symbol	MIN	NOM	MAX
A	1.35	1.60	1.75
A1	0.10	0.15	0.25
A2	1.25	1.45	1.65
A3	0.55	0.65	0.75
b	0.36	-	0.49
b1	0.35	0.40	0.45
c	0.17	-	0.25
c1	0.17	0.20	0.23
D	8.53	8.63	8.73
E	5.80	6.00	6.20
E1	3.80	3.90	4.00
e	1.27BSC		
L	0.45	0.60	0.80
L1	1.04REF		
L2	0.25BSC		
R	0.07	-	-
R1	0.07	-	-
h	0.30	0.40	0.50
θ	0°	-	8°
θ1	6°	8°	10°
θ2	6°	8°	10°
θ3	5°	7°	9°
θ4	5°	7°	9°



DIO2711

3-Vrms Anti Surge Audio Driver with Integrated 6<sup>th</sup> -Order SD Video Filter

## CONTACT US

Dioo is a professional design and sales corporation for high-quality and performance analog semiconductors. The company focuses on industry markets, such as, cell phone, handheld products, laptop, and medical equipments and so on. Dioo's product families include analog signal processing and amplifying, LED drivers and charger IC. Go to <http://www.dioo.com> for a complete list of Dioo product families.

For additional product information, or full datasheet, please contact with our Sales Department or Representatives.

dioo

## Данный компонент на территории Российской Федерации

### Вы можете приобрести в компании MosChip.

Для оперативного оформления запроса Вам необходимо перейти по данной ссылке:

<http://moschip.ru/get-element>

Вы можете разместить у нас заказ для любого Вашего проекта, будь то серийное производство или разработка единичного прибора.

В нашем ассортименте представлены ведущие мировые производители активных и пассивных электронных компонентов.

Нашей специализацией является поставка электронной компонентной базы двойного назначения, продукции таких производителей как XILINX, Intel (ex.ALTERA), Vicor, Microchip, Texas Instruments, Analog Devices, Mini-Circuits, Amphenol, Glenair.

Сотрудничество с глобальными дистрибьюторами электронных компонентов, предоставляет возможность заказывать и получать с международных складов практически любой перечень компонентов в оптимальные для Вас сроки.

На всех этапах разработки и производства наши партнеры могут получить квалифицированную поддержку опытных инженеров.

Система менеджмента качества компании отвечает требованиям в соответствии с ГОСТ Р ИСО 9001, ГОСТ РВ 0015-002 и ЭС РД 009

### Офис по работе с юридическими лицами:

105318, г.Москва, ул.Щербаковская д.3, офис 1107, 1118, ДЦ «Щербаковский»

Телефон: +7 495 668-12-70 (многоканальный)

Факс: +7 495 668-12-70 (доб.304)

E-mail: [info@moschip.ru](mailto:info@moschip.ru)

Skype отдела продаж:

moschip.ru

moschip.ru\_4

moschip.ru\_6

moschip.ru\_9