

SERIES 60AD

Optical Encoder with integrated Joystick and Pushbutton

FEATURES

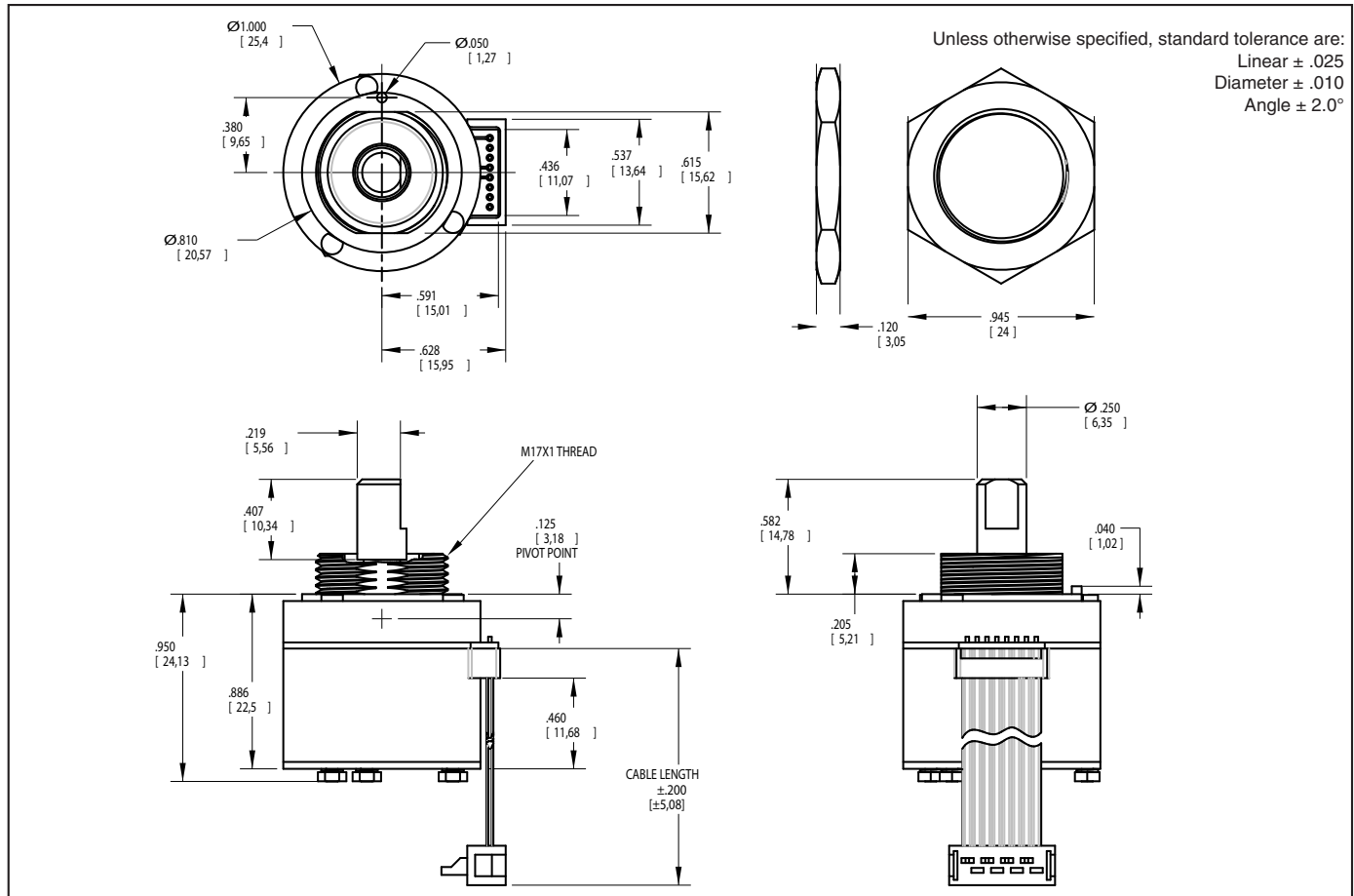
- Dome contacts provide excellent tactile feedback in all directions
- Choices of actuation force, cable length and termination
- Customized solutions available

APPLICATIONS

- Aerospace
- Automotive
- Medical devices



DIMENSIONS in inches (and millimeters)



Optical and Mechanical Encoders

ORDERING INFORMATION

60AD18-4-M-060S

Angle of Throw: 18= 18° or 20 positions
 Joystick: 4= Four contacts & directions;
 8= Four contacts & eight directions

Termination: 0.050" center P= pin header; C= connector; S= stripped cable
 Cable Length: 020 thru 250 in 1/2 inch increments, 060= 6.0 inch cable
 Force Option: (see table) L=low, M=medium, H=high

| | OPTION | | |
|-------------------------------------|-----------|-----------|-----------|
| | L | M | H |
| 1 ACTUATION FORCE (JOYSTICK) [g] | 550±200 | 725±200 | 1050±250 |
| 2 ACTUATION FORCE (PUSHBUTTON) [g] | 625±200 | 800±200 | 1100±250 |
| 3 AVERAGE ROTATIONAL TORQUE [in-oz] | 1.50±0.75 | 3.50±1.75 | 5.00±2.00 |

For prices and custom configurations, contact a local sales office, an authorized distributor, or Grayhill's sales department.

JOYSTICK OPERATION + ENCODER WAVEFORM AND TRUTH TABLE Standard Quadrature 2-Bit Code

SWITCH SCHEMATIC

***EXTERNAL PULL-UP RESISTORS REQUIRED FOR OPERATION (2.2k Ω).**

JOYSTICK POSITION DIAGRAM

* INDICATES DIRECTION OF D-FLAT ON BUSHING

ENCODER WAVEFORM (C.W. ROTATION)

ENCODER TRUTH TABLE (C.W. ROTATION)

| POSITION | OUTPUT A | OUTPUT B |
|----------|----------|----------|
| #1 | ○ | ○ |
| #2 | ○ | ○ |
| #3 | ○ | ○ |
| #4 | ○ | ○ |

○ INDICATES LOGIC-HIGH
○ INDICATES LOGIC-LOW
CODE REPEATS EVERY FOUR POSITIONS

JOYSTICK TRUTH TABLE

| POSITION | X OUTPUT | Y OUTPUT |
|----------|----------|----------|
| 1 | NEUTRAL | HIGH |
| 2 | HIGH | HIGH |
| 3 | HIGH | NEUTRAL |
| 4 | HIGH | LOW |
| 5 | NEUTRAL | LOW |
| 6 | LOW | LOW |
| 7 | LOW | NEUTRAL |
| 8 | LOW | HIGH |
| 9 | NEUTRAL | NEUTRAL |

SPECIFICATIONS

Rotary Specifications

Operating Voltage: 5.00 \pm 0.25 Vdc
Supply Current: 20mA max at 5 Vdc
Minimum Sink Current: 2.0mA at 5 Vdc
Power Consumption: 0.1mW max at 5 Vdc
Output: Open collector phototransistor, 2.2k Ω external pull-up resistors are required
Output Code: 2-Bit quadrature, channel A leads channel B by 90° in clockwise rotation
Logic Output Characteristics:
 High: No less than 3.5 Vdc
 Low: No greater than 1.0 Vdc
Mechanical Life: 1 million rotational cycles (through all positions and a full return)
Rotational Torque: see table
Maximum Rotational Speed: 100 RPM
Mounting Torque: 15 in-lbs. maximum
Shaft Push/Pull Out Force: 45 lbs min.
Shaft Side-Load Force: 20 lbs. min.
Terminal Strength: 15 lbs pull-out force min.

Pushbutton Specifications

Rating: 10 mA at 5 Vdc resistive
Contact Resistance: less than 10 ohms
Contact Bounce: < 4ms make, <10 ms break
Mechanical Life: 1 million actuations min.
Actuation Force: see table
Pushbutton Travel: .027 \pm .010 in.

Joystick Specifications

Supply Current: 5mA max
Output Code: 2-Bit
Logic Output Characteristics:
 Neutral Position: 2.5 \pm 0.5 Vdc
 High-State Position: >4.5 Vdc
 Low-State Position: <0.5 Vdc
Mechanical Life: 500k cycles min.
Actuation Force: see table
Angle of Throw: 3.5° +2°/-1°

Environmental Ratings

Operating Temp. Range: -40°C to 85°C
Storage Temp. Range: -55°C to 100°C
Relative Humidity: 96 hours at 90-95% humidity at 40°C
Vibration: Harmonic motion with amplitude of 15g, within 10 to 2000 Hz for 12 hours
Mechanical Shock:
 Test 1: 100g for 6ms half-sine wave with a velocity change of 12.3 ft/s
 Test 2: 100g for 6ms sawtooth wave with a velocity change of 9.7 ft/s

Materials and Finishes

Detent Housing: Nylon 6/10
Shaft: Nylon 6/10
Shaft Insert: 303 stainless steel
Joystick Housing: Nylon 6,10
Centering Plate: Nylon 6,10
Detent Balls: Carbon steel
Detent Springs: Music wire
Dome Contacts: Stainless steel
Dome Housings: Polycarbonate over brass-lead frame
Dome Retainers: Nylon 6,0; 30% glass-filled
Joystick Actuators: Polyphthalamide; 50% glass filled
Pushbutton Dome Retainer: Polycarbonate
Printed Circuit Board: NEMA grade FR-4. Glass-cloth epoxy, double clad with copper
Infrared Emitter: Gallium arsenide
Phototransistor: Planar silicon
Resistors: Metal oxide on ceramic substrate
Solder: 95.5% SN, 3% AG, 0.5% CU

OPTIONS

Contact Grayhill for custom terminations, rotational torque, number of positions, shaft configurations, and resolutions.

Данный компонент на территории Российской Федерации

Вы можете приобрести в компании MosChip.

Для оперативного оформления запроса Вам необходимо перейти по данной ссылке:

<http://moschip.ru/get-element>

Вы можете разместить у нас заказ для любого Вашего проекта, будь то серийное производство или разработка единичного прибора.

В нашем ассортименте представлены ведущие мировые производители активных и пассивных электронных компонентов.

Нашей специализацией является поставка электронной компонентной базы двойного назначения, продукции таких производителей как XILINX, Intel (ex.ALTERA), Vicor, Microchip, Texas Instruments, Analog Devices, Mini-Circuits, Amphenol, Glenair.

Сотрудничество с глобальными дистрибьюторами электронных компонентов, предоставляет возможность заказывать и получать с международных складов практически любой перечень компонентов в оптимальные для Вас сроки.

На всех этапах разработки и производства наши партнеры могут получить квалифицированную поддержку опытных инженеров.

Система менеджмента качества компании отвечает требованиям в соответствии с ГОСТ Р ИСО 9001, ГОСТ РВ 0015-002 и ЭС РД 009

Офис по работе с юридическими лицами:

105318, г.Москва, ул.Щербаковская д.3, офис 1107, 1118, ДЦ «Щербаковский»

Телефон: +7 495 668-12-70 (многоканальный)

Факс: +7 495 668-12-70 (доб.304)

E-mail: info@moschip.ru

Skype отдела продаж:

moschip.ru

moschip.ru_4

moschip.ru_6

moschip.ru_9