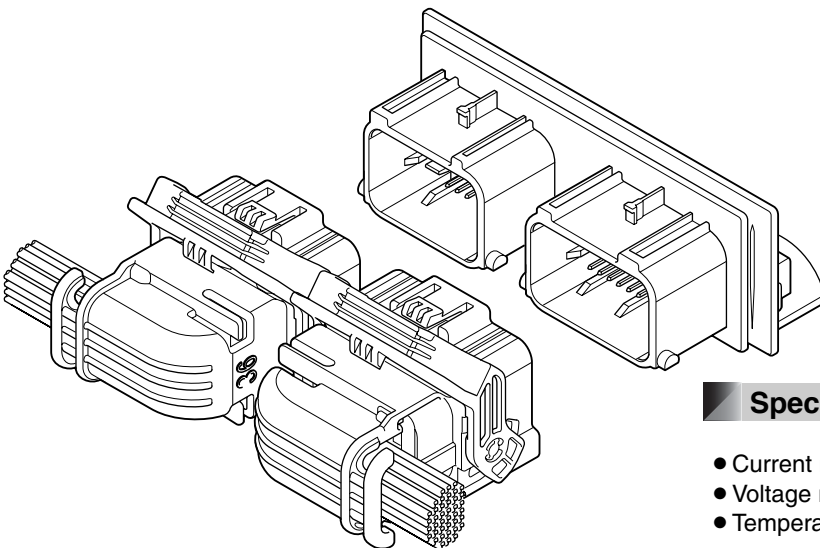


This is ECU I/O connector for automobile air-bag of the miniaturization and sealed type.

This connector has the various pin arrangement/color/key code/PC board connecting method corresponding to needs, hence the connector type suitable for the vehicle can be selected.



Features

●Variation

Contact JST for pin arrangement/housing color/key code.
Dip type and press-fit type are available for connecting at PC board side.

●Terminal construction

It is designed to prevent the deformation of contact area when processing wire harness by protecting contact area of each terminal box.

●Mating

CPA adopted. It enables the connector to be locked securely and prevents incomplete mating on the assembly line resulting in improved connector retention force.
The lever mechanism is adopted to decrease the insertion force in mating male and female.

●Sealed

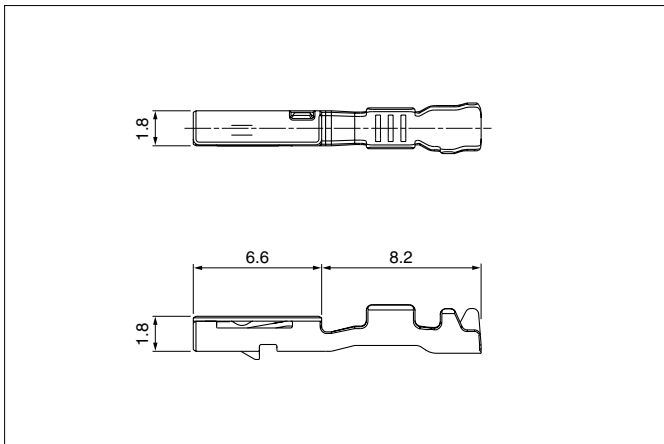
Mat seal is adopted for improving the workability of harness assembling.

Specifications

- Current rating: 5A AC, DC max.
- Voltage rating: 14V DC max.
- Temperature range: -40°C to +120°C
(including temperature rise in applying electrical current)
- Contact resistance:
 - Female terminal; Initial value/10mΩ max.
After environmental testing/20mΩ max.
 - Short terminal; Initial value/50mΩ max.
After environmental testing/100mΩ max.
- Insulation resistance: 100MΩ min.
- Withstanding voltage: 1,000V AC/minute
- Applicable wire: AVSS/ AESSX (F)
0.5mm²

* Compliant with ELV/RoHS.
* Contact JST for details.

Female terminal

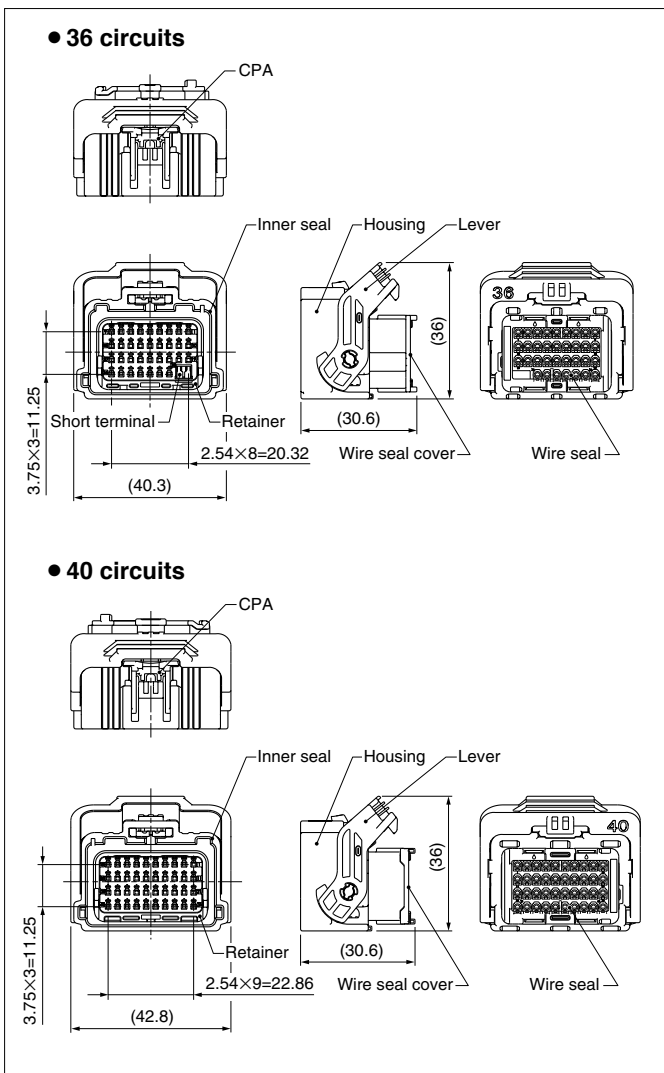


Model No.	Applicable wire range		Q'ty/reel
	Conductor (mm ²)	Insulation O.D. (mm)	
SWPH-A021GF-M0.64	0.5	1.7	10,000

Material and Finish

Copper alloy, nickel-undercoated, tin-plated, Contact area; gold-plated

Female connector



Circuits	Model No.	Q'ty/box
36	36WIC-B-1A-01	280

Material and Finish

Housing: Glass-filled PBT, yellow
 Retainer: Glass-filled PBT, black
 Lever: Glass-filled PBT, black
 CPA housing: Glass-filled PBT, black
 Wire seal cover: Glass-filled PBT, black
 Inner seal: Silicone, green
 Wire seal: Silicone, green
 Short terminal: Copper alloy, nickel-undercoated, tin-plated,
 Contact area; gold-plated

Note: Color/Key codes other than above-mentioned housing are also available. Contact JST for details.

Circuits	Model No.	Q'ty/box
40	40WIC-B-1A-01	280

Material

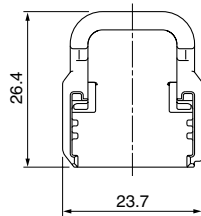
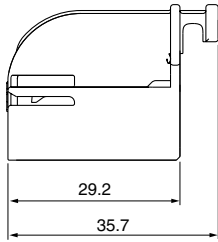
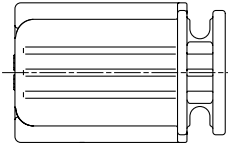
Housing: Glass-filled PBT, yellow
 Retainer: Glass-filled PBT, black
 Lever: Glass-filled PBT, black
 CPA housing: Glass-filled PBT, black
 Wire seal cover: Glass-filled PBT, black
 Inner seal: Silicone, red
 Wire seal: Silicone, red

Note: Color/Key codes other than above-mentioned housing are also available. Contact JST for details.

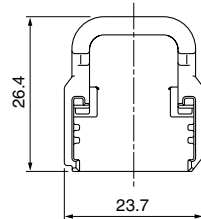
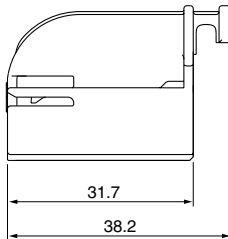
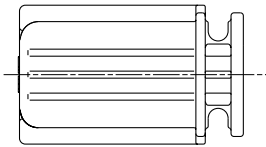
WIC CONNECTOR

Female harness cover

• 36 circuits

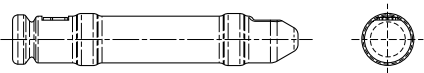
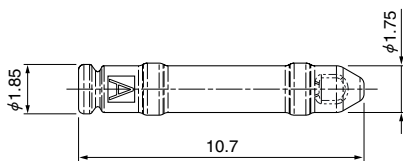


• 40 circuits



Circuits	Model No.	Q'ty/box
36	WICC-36-S	400
40	WICC-40-S	400
Material		
Glass-filled PBT, natural (white)		

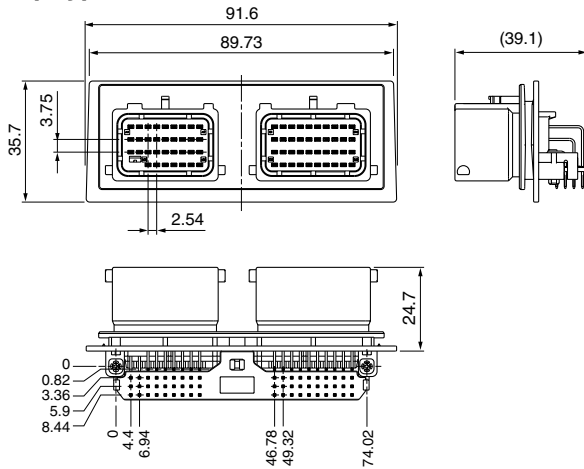
Female dummy plug



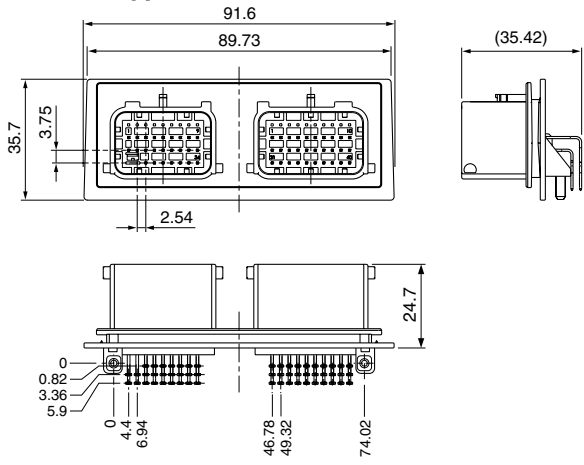
Model No.	Q'ty/box
WPHDP-H-1A-H	7,000
Material	
PBT, gray	

Male connector

Dip type



Press-fit type



Circuits	Model No.	Q'ty/box
38	S38B-WIC01-1A	120

Material and Finish

Housing: Glass-filled PBT, yellow
 Tine-plate: Glass-filled PBT, black
 Pin: Copper alloy, nickel-undercoated, tin-plated,
 Contact area; gold-plated

Note: Color/Key codes other than above-mentioned housing are also available.
 Up to maximum 74 circuits for dip type and maximum 55 circuits for press-fit type (extensible up to 74 circuits) are available. Contact JST for details.

Circuits	Model No.	Q'ty/box
22	S54(76)B-WICP01-1A	60

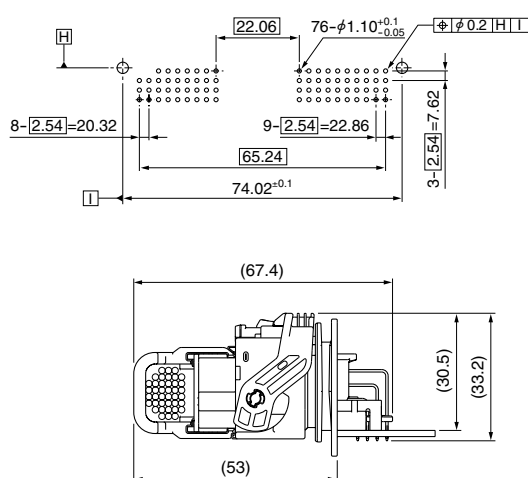
Material and Finish

Housing: Glass-filled PBT, light blue
 Pin: Phosphor bronze, nickel-undercoated,
 Press-fit area; tin-plated, Contact area; gold-plated

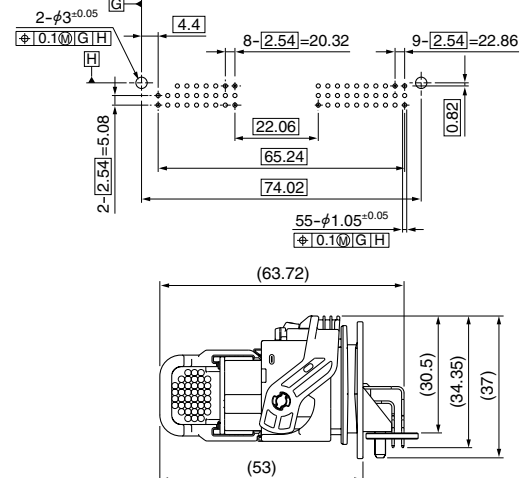
Note: Color/Key codes other than above-mentioned housing are also available.
 Up to maximum 74 circuits for dip type and maximum 55 circuits for press-fit type (extensible up to 74 circuits) are available. Contact JST for details.

PC board layout, Assembly layout

Dip type



Press-fit type



Crimping machine, Applicator

Strip terminal	Crimping machine	Crimp applicator MKS-L	
		Dies	Crimp applicator with dies
SWPH-A021GF-M0.64	AP-K2N	MK/SWPH-A021-064	APLMK SWPH-A021-064

Note: When crimping operation is conducted using an applicator and die set other than the above, JST cannot guarantee the performance of the terminal.

Mouser Electronics

Authorized Distributor

Click to View Pricing, Inventory, Delivery & Lifecycle Information:

JST:

[40WIC-B-1A-06](#) [WICC-36-S](#) [36WIC-B-1A-01](#) [WICC-40-S](#) [WPHDP-H-1A-H](#)

Данный компонент на территории Российской Федерации

Вы можете приобрести в компании MosChip.

Для оперативного оформления запроса Вам необходимо перейти по данной ссылке:

<http://moschip.ru/get-element>

Вы можете разместить у нас заказ для любого Вашего проекта, будь то серийное производство или разработка единичного прибора.

В нашем ассортименте представлены ведущие мировые производители активных и пассивных электронных компонентов.

Нашей специализацией является поставка электронной компонентной базы двойного назначения, продукции таких производителей как XILINX, Intel (ex.ALTERA), Vicor, Microchip, Texas Instruments, Analog Devices, Mini-Circuits, Amphenol, Glenair.

Сотрудничество с глобальными дистрибьюторами электронных компонентов, предоставляет возможность заказывать и получать с международных складов практически любой перечень компонентов в оптимальные для Вас сроки.

На всех этапах разработки и производства наши партнеры могут получить квалифицированную поддержку опытных инженеров.

Система менеджмента качества компании отвечает требованиям в соответствии с ГОСТ Р ИСО 9001, ГОСТ РВ 0015-002 и ЭС РД 009

Офис по работе с юридическими лицами:

105318, г.Москва, ул.Щербаковская д.3, офис 1107, 1118, ДЦ «Щербаковский»

Телефон: +7 495 668-12-70 (многоканальный)

Факс: +7 495 668-12-70 (доб.304)

E-mail: info@moschip.ru

Skype отдела продаж:

moschip.ru

moschip.ru_4

moschip.ru_6

moschip.ru_9