

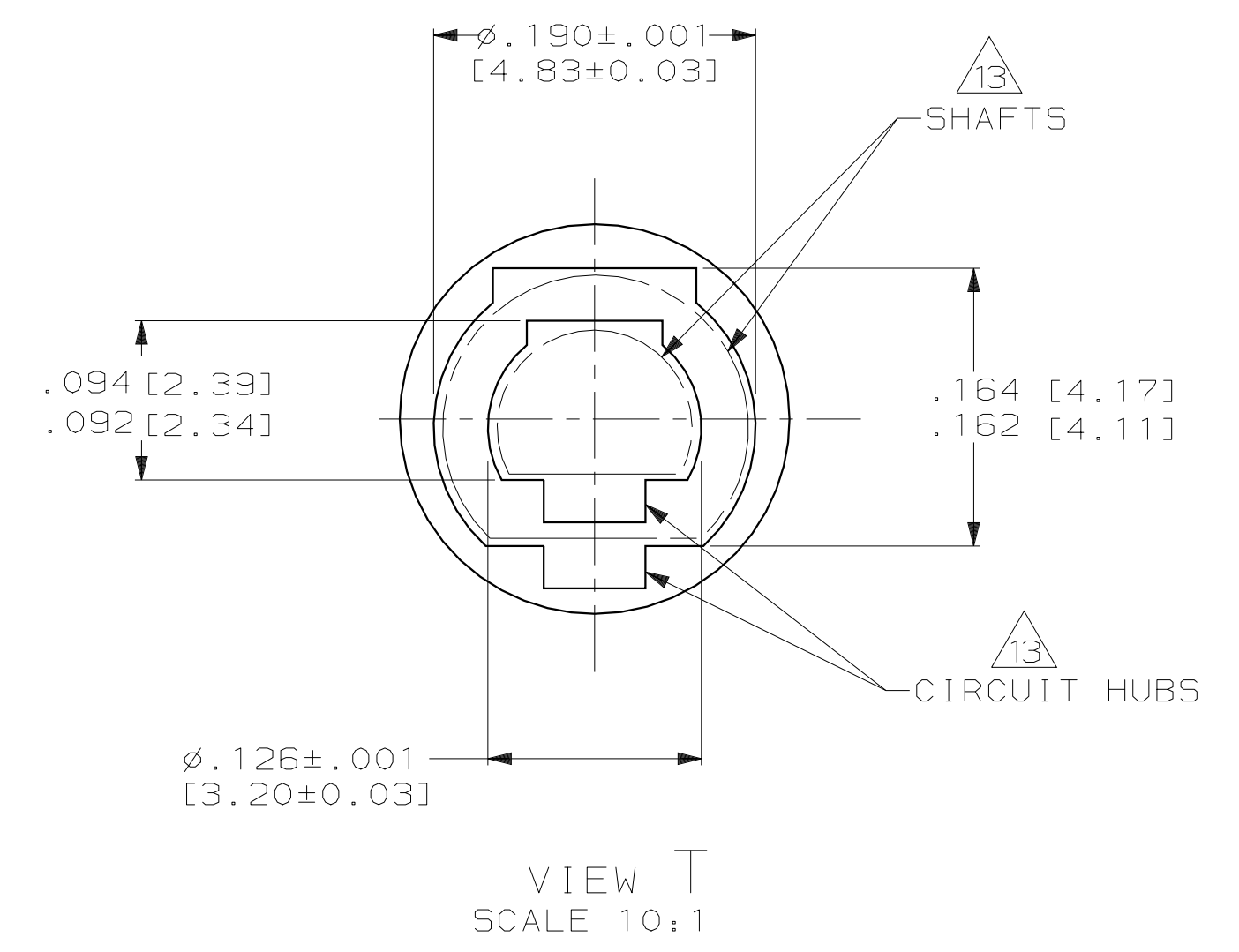
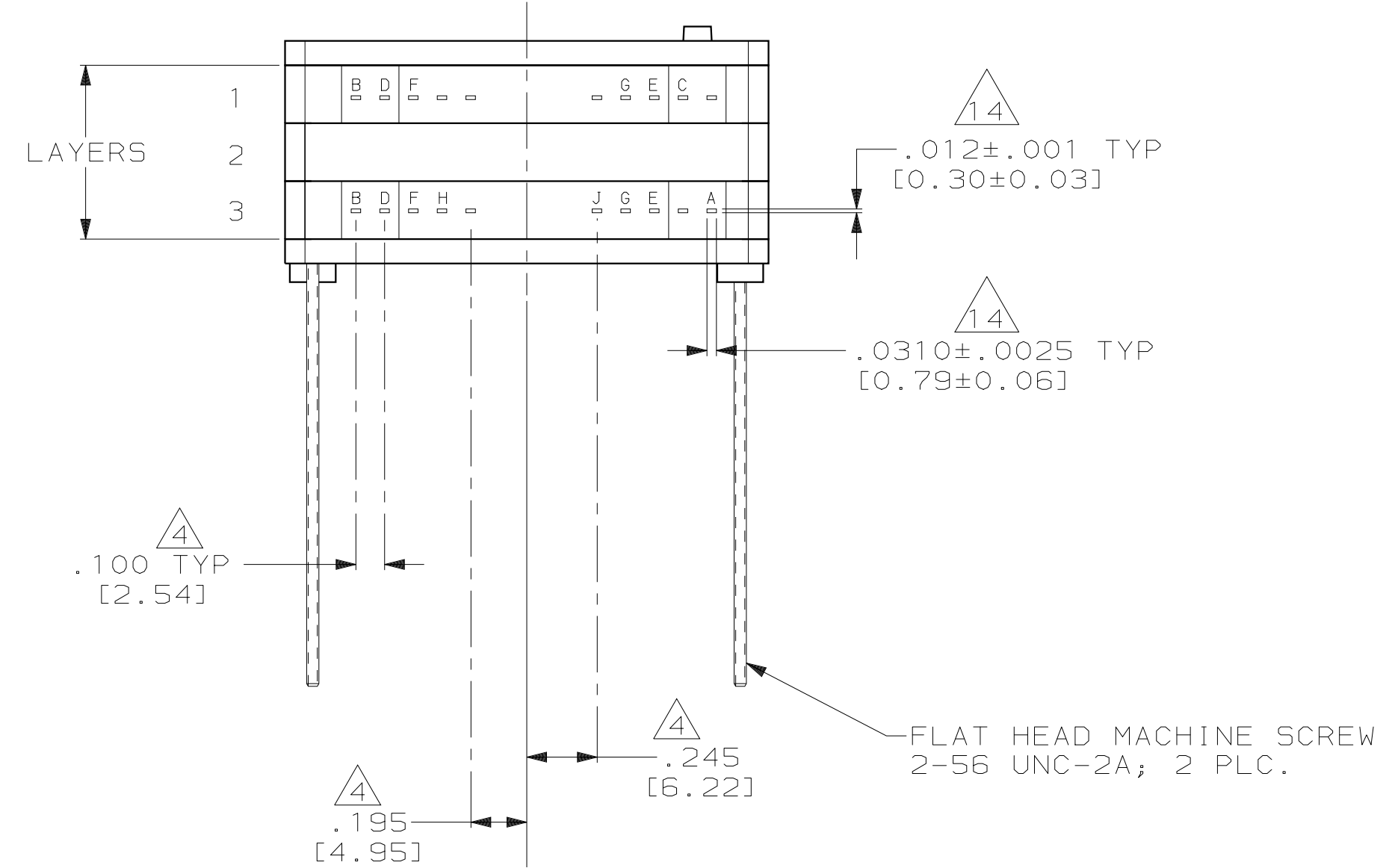
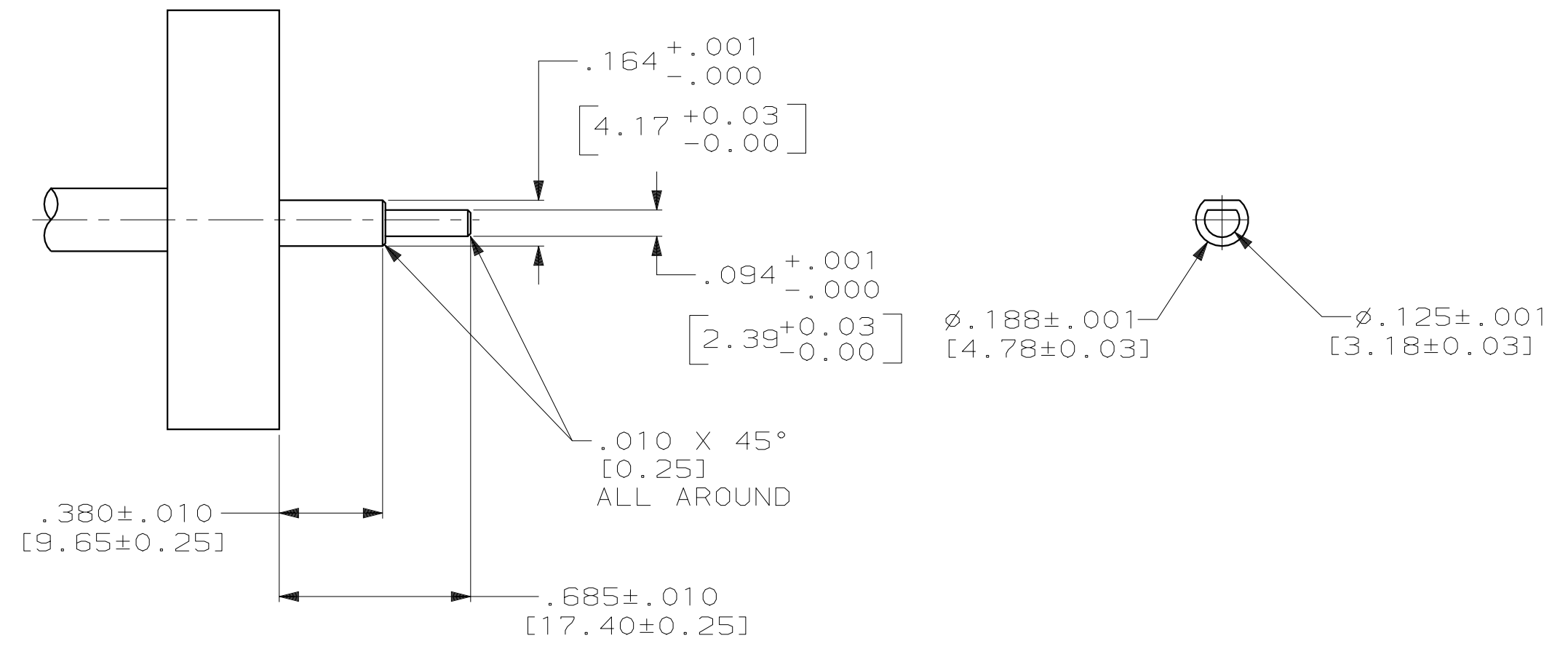
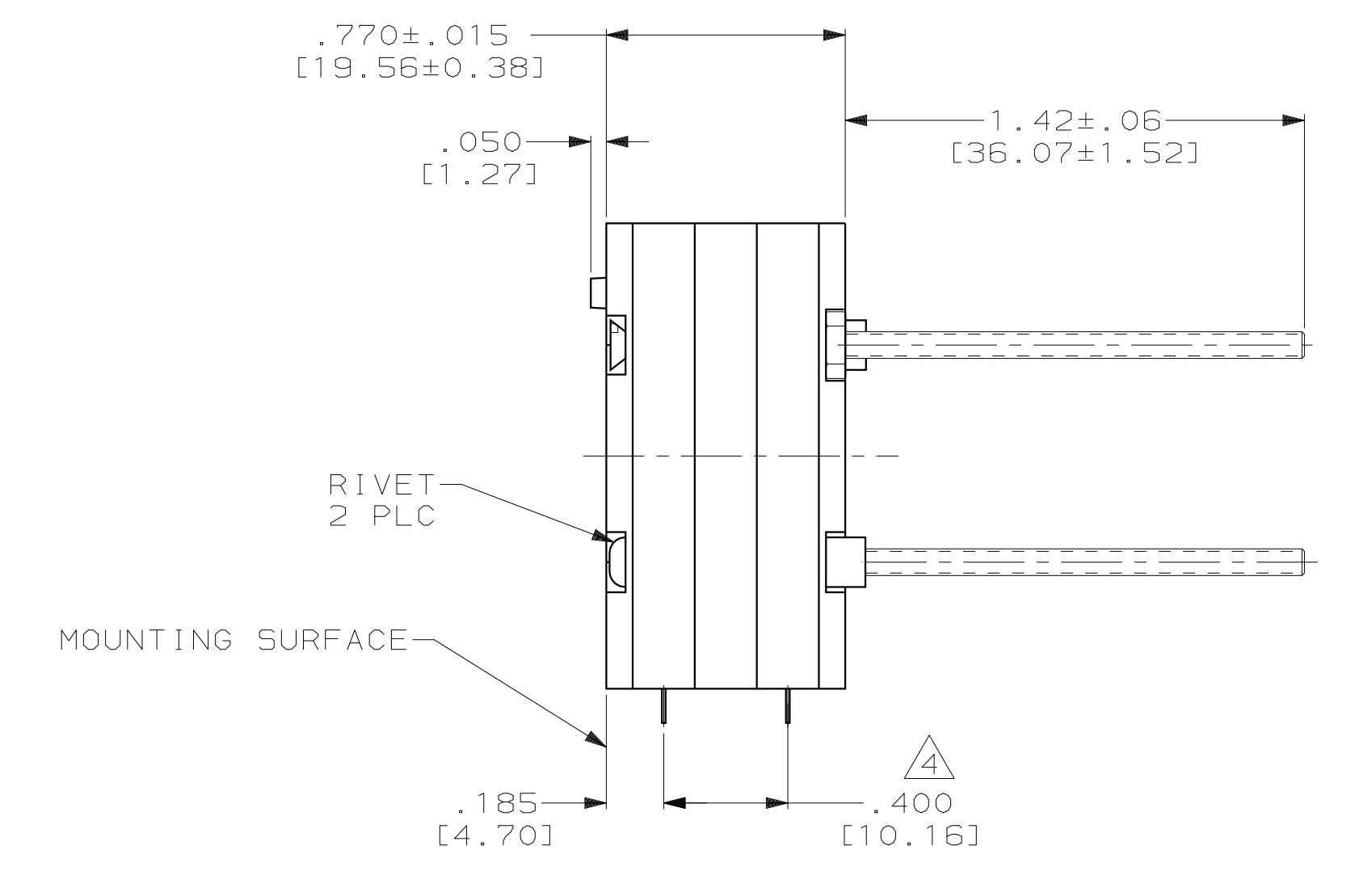
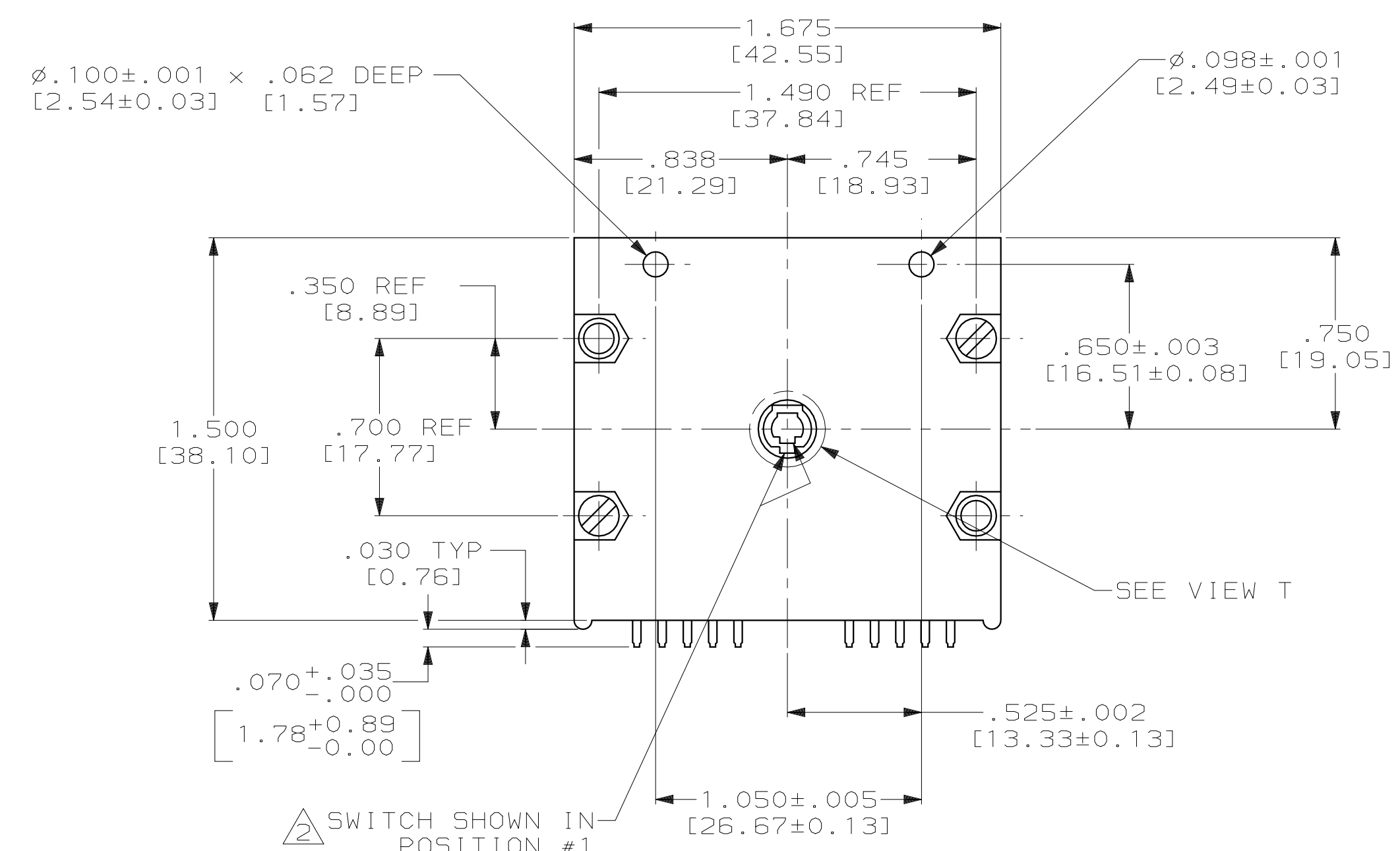
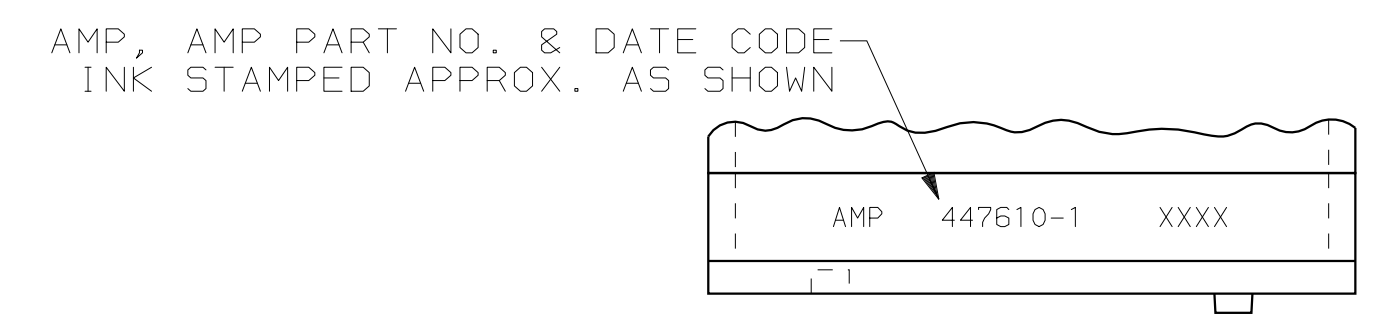
LOC	DIST	P	F	ZONE	LTR	DESCRIPTION	DATE	APPD	
DF	LO					REV PER ECO 05-10335	CT	6-06	SG

18 POSN. 20° THROW, LAYER 1  
 ● = CLOSED TO RESPECTIVE COMMON

POSN.	B	C	D	E	F	G
1	●	●	●	●	●	●
2	●	●	●	●	●	●
3	●	●	●	●	●	●
4	●	●	●	●	●	●
5	●	●	●	●	●	●
6	●	●	●	●	●	●
7	●	●	●	●	●	●
8	●	●	●	●	●	●
9	●	●	●	●	●	●
10	●	●	●	●	●	●
11	●	●	●	●	●	●
12	●	●	●	●	●	●
13	●	●	●	●	●	●
14	●	●	●	●	●	●
15	●	●	●	●	●	●
16	●	●	●	●	●	●
17	●	●	●	●	●	●
18	●	●	●	●	●	●

20 POSN. 18° THROW, LAYER 3  
 ● = CLOSED TO RESPECTIVE COMMON

POSN.	A	B	D	E	F	G	H	J
1	●	●	●	●	●	●	●	●
2	●	●	●	●	●	●	●	●
3	●	●	●	●	●	●	●	●
4	●	●	●	●	●	●	●	●
5	●	●	●	●	●	●	●	●
6	●	●	●	●	●	●	●	●
7	●	●	●	●	●	●	●	●
8	●	●	●	●	●	●	●	●
9	●	●	●	●	●	●	●	●
10	●	●	●	●	●	●	●	●
11	●	●	●	●	●	●	●	●
12	●	●	●	●	●	●	●	●
13	●	●	●	●	●	●	●	●
14	●	●	●	●	●	●	●	●
15	●	●	●	●	●	●	●	●
16	●	●	●	●	●	●	●	●
17	●	●	●	●	●	●	●	●
18	●	●	●	●	●	●	●	●
19	●	●	●	●	●	●	●	●
20	●	●	●	●	●	●	●	●



RECOMMENDED DRIVE MECHANISM DIMENSIONS

- SWITCH NOT TO BE DISASSEMBLED.
- SWITCH POSITIONS INCREASE WHEN ROTATED IN A CLOCKWISE DIRECTION.
- DO NOT MAKE ELECTRICAL CONNECTION TO ANY UNUSED PINS.
- THESE DIMENSIONS HAVE NON-CUMULATIVE TOLERANCES.
- THE TORQUE REQUIRED TO ROTATE EITHER #1 OR #2 PRINTED CIRCUIT BOARD IS NOT TO EXCEED 1.5 INCH-OUNCE.
- FOR ADDITIONAL SPECIFICATIONS SEE AMP PRODUCT SPEC. 108-7061.
- IN LAYER 3 PIN "B" IS CLOSED TO "A" COMMON IN POSITION, OPENING BETWEEN DETENT POSITIONS.
- IN LAYER #1 PINS B,C,D,E & F ARE CLOSED TO "G" COMMON.
- IN LAYER #3 PINS D,E,F,G & H ARE CLOSED TO "J" COMMON.
- ~~CODE TRANSITION TO TAKE PLACE MIDWAY BETWEEN DETENT POSITIONS ±1.5°.~~
- ALL ELECTRICALLY ACTIVE PINS ARE IDENTIFIED BY LETTERS. THOSE NOT ELECTRICALLY ACTIVE ARE SHOWN, BUT NOT LETTERED.
- SWITCH IS 100% ELECTRICAL TESTED AND INSPECTED.
- FLATS ON CIRCUIT HUBS AND CUSTOMER GEAR BOX SHAFTS MUST BE ORIENTED AS SHOWN.
- CONTACT DIMENSION DOES NOT INCLUDE CUT-OFF BURR.

VIEW T  
 SCALE 10:1  
 CUSTOMER ASSEMBLY INFORMATION  
 (SHAFTS SHOWN OUT OF SCALE FOR CLARITY)

447610-1  
 PART NO.

DO NOT SCALE PRINT. UNLESS SPECIFIED DIMENSIONS IN INCHES [mm]		DR 1-17-91 CHUCK THOMAS		AMP Incorporated Harrisburg, PA 17105-3608	
TOLERANCES - ON :		CHK 1-22-91 S.GLADFELTER			
2 PLC DEC ± -		APPD 1-22-91 S.GLADFELTER		NAME	
3 PLC DEC ± .010 (0.25)		APPD 1-22-91 C.THOMAS		ROTARY SWITCH ASSY,	
ANGLES ± -		PRODUCT SPEC		3510 SERIES, MULTI-BUSHING, 20 POSN	
MATERIAL		APPLICATION SPEC		PRIMARY, 18 POSN SECONDARY, 3 LAYER	
FINISH		SCALE		SIZE	
-		2:1		CAGE CODE	
-		D		00779	
-		DRAWING NO		447610	
-		SHEET		1 OF 1	

## Данный компонент на территории Российской Федерации

### Вы можете приобрести в компании MosChip.

Для оперативного оформления запроса Вам необходимо перейти по данной ссылке:

<http://moschip.ru/get-element>

Вы можете разместить у нас заказ для любого Вашего проекта, будь то серийное производство или разработка единичного прибора.

В нашем ассортименте представлены ведущие мировые производители активных и пассивных электронных компонентов.

Распределительные склады, находящиеся в России, Европе и в Китае, позволяют нам оперативно поставить необходимые компоненты в оптимальные для Вас сроки.

На всех этапах разработки и производства наши партнеры могут получить квалифицированную поддержку опытных инженеров.

Система менеджмента качества компании отвечает требованиям ISO 9001:2011

### Офис по работе с юридическими лицами:

107023, г.Москва, Семеновский переулок, д.6, Бизнес-центр «АВС»

Телефон: +7 495 668-12-70 (многоканальный)

Факс: +7 495 668-12-70 (доб.304)

E-mail: [info@moschip.ru](mailto:info@moschip.ru)

Skype отдела продаж:

moschip.ru_3	moschip.ru_6
moschip.ru_4	moschip.ru_7
moschip.ru_11	moschip.ru_8
moschip.ru_12	moschip.ru_9