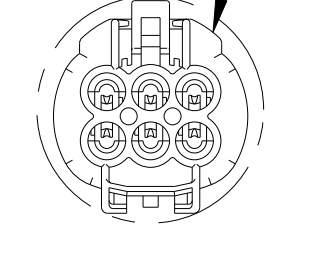


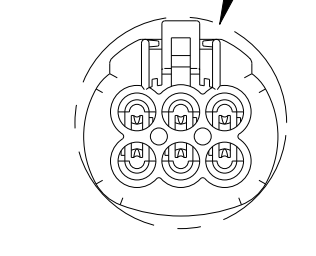
REV	DATE	DESCRIPTION	BY	CHKD	APPD
A1	EG00-2683-01				
A2	EG00-3705-01	DRW REVISED, SEALS UPDATED			
A3	EG00-0399-02	ADD NATURAL VERSION			
A4	REDRAWN REVISED FOR ECR06-003008				
A5	REDRAWN FOR ECR-08-011583				

Ø29.00 MINIMUM CLEARANCE HOLE (REF)



HOUSING MALE WITH RETAINER

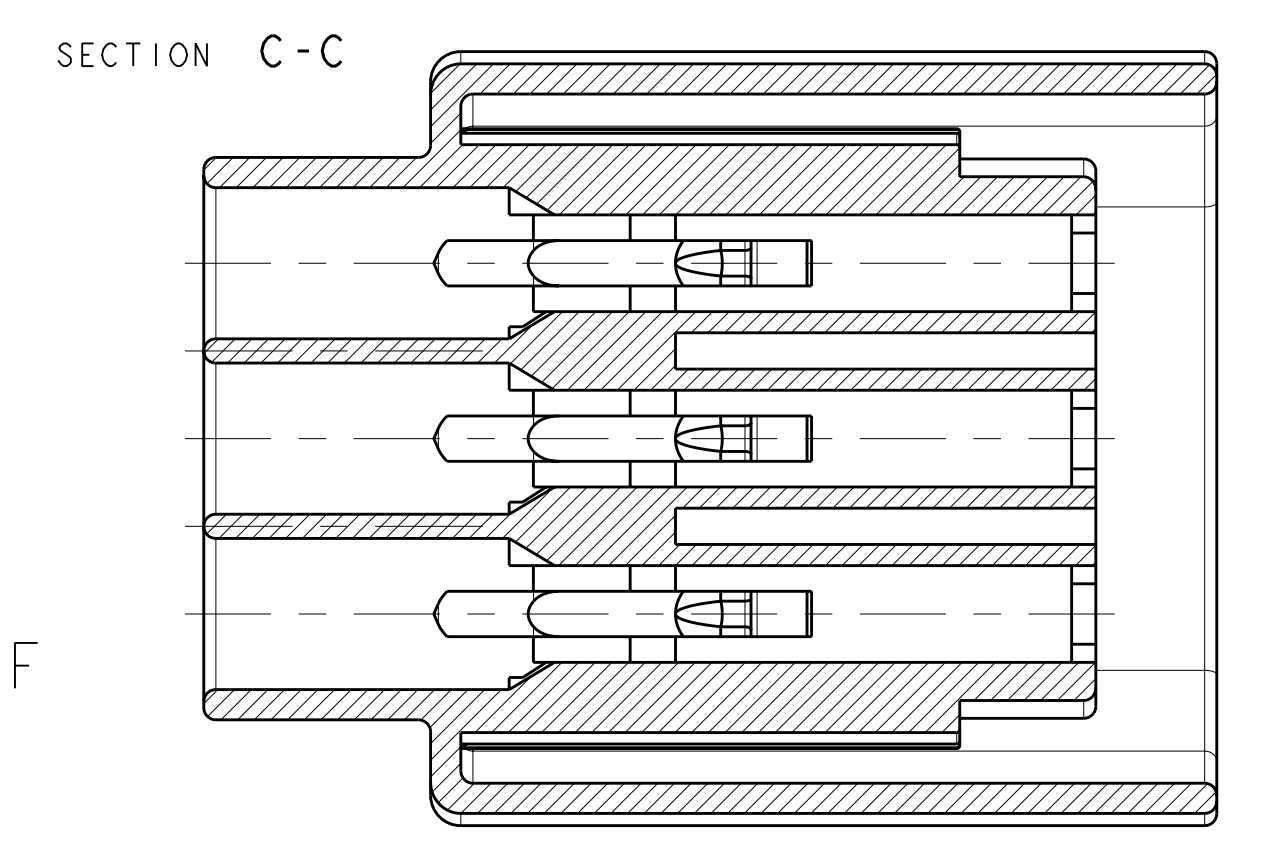
Ø27.00 MINIMUM CLEARANCE HOLE (REF)



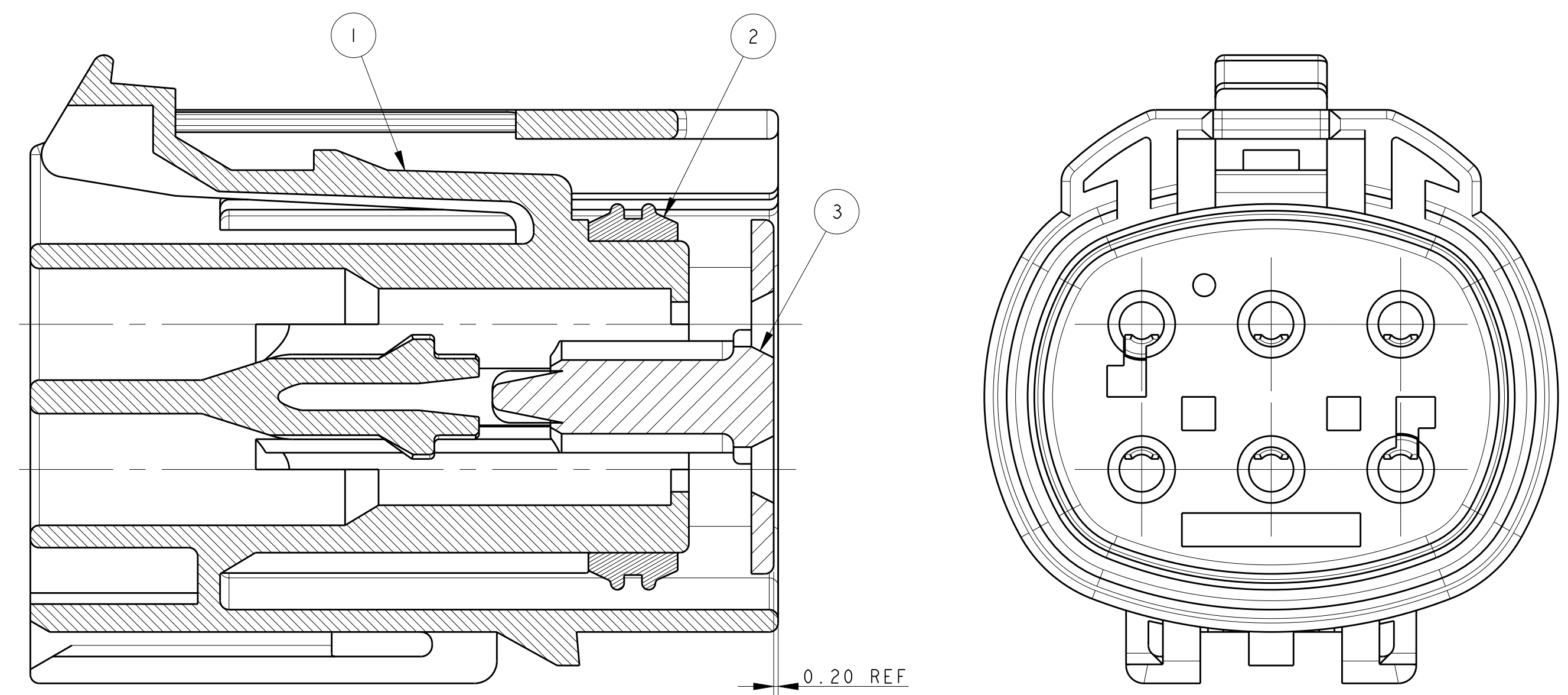
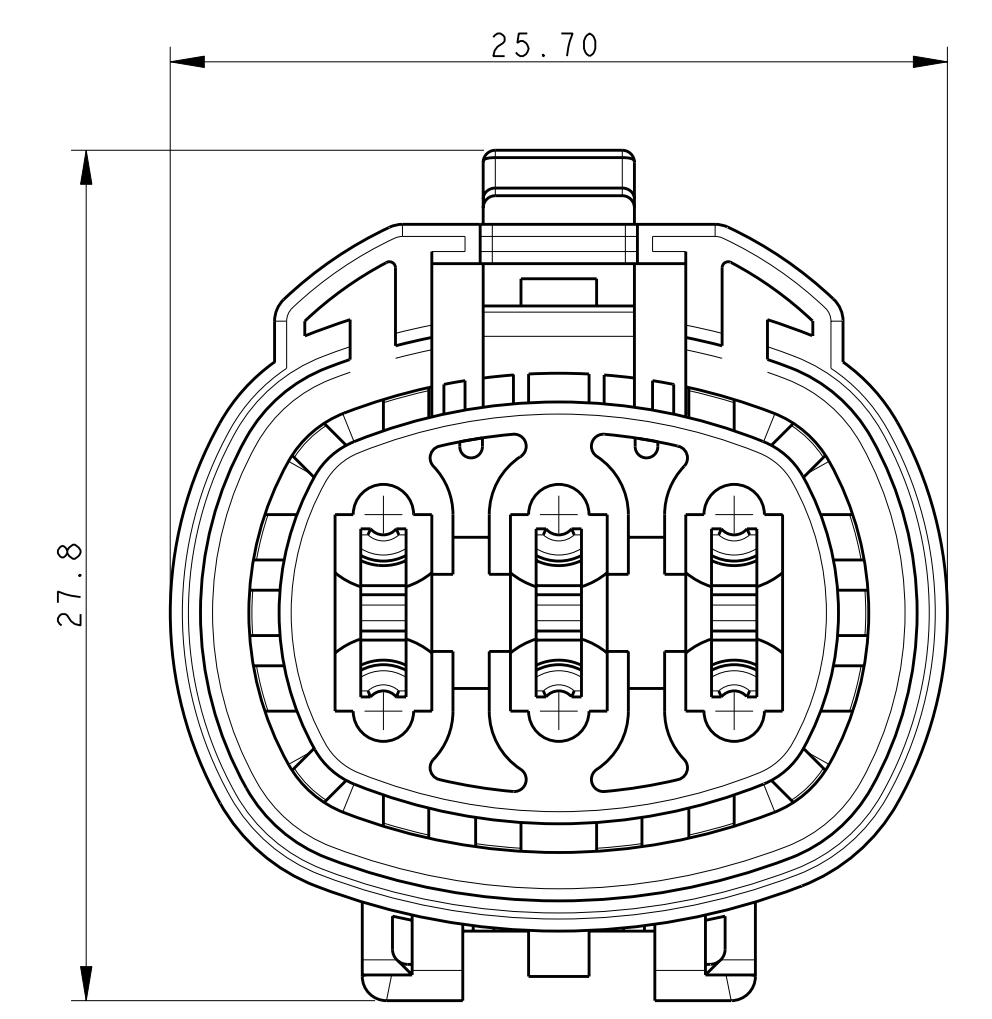
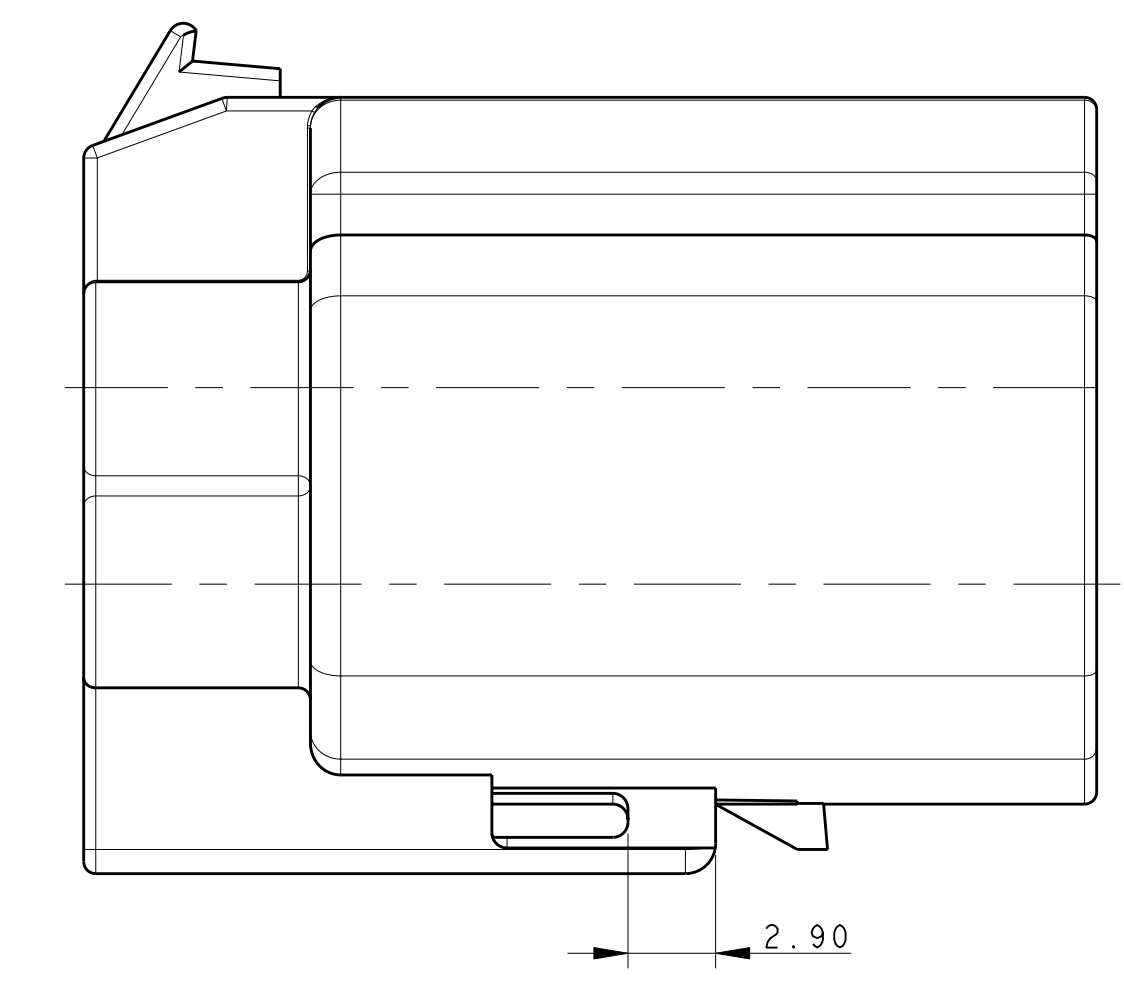
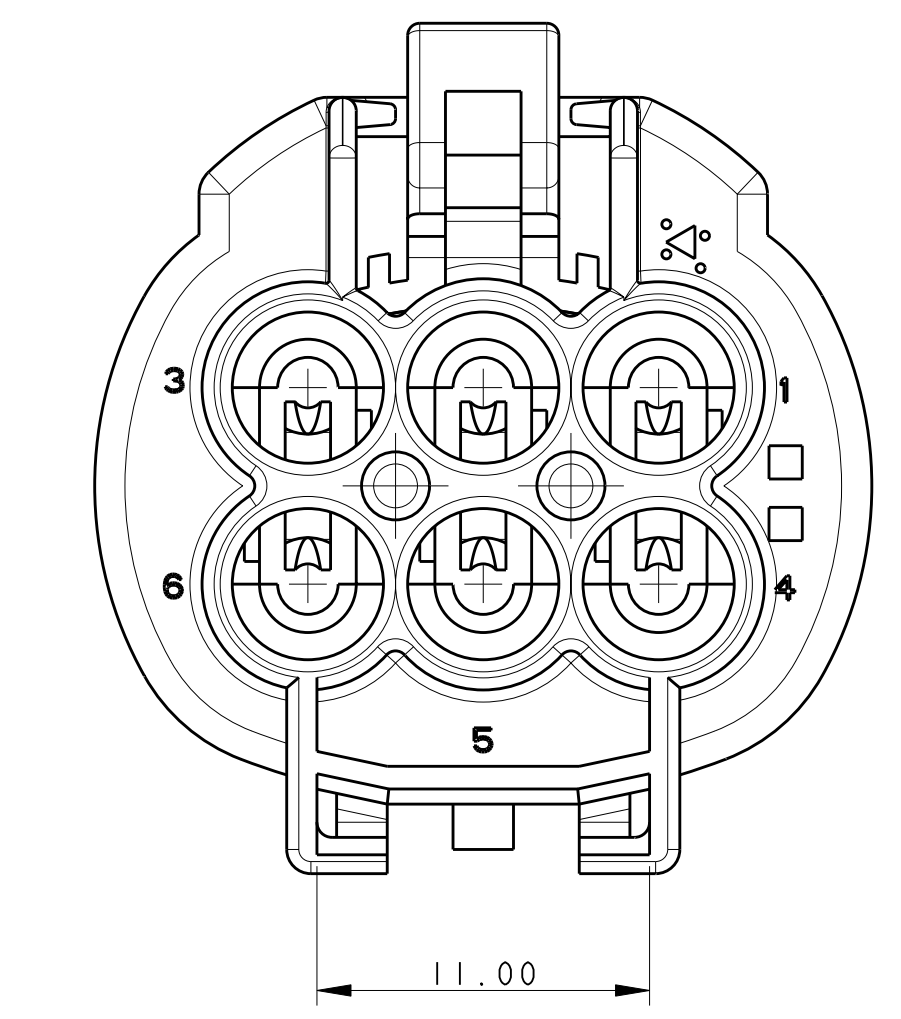
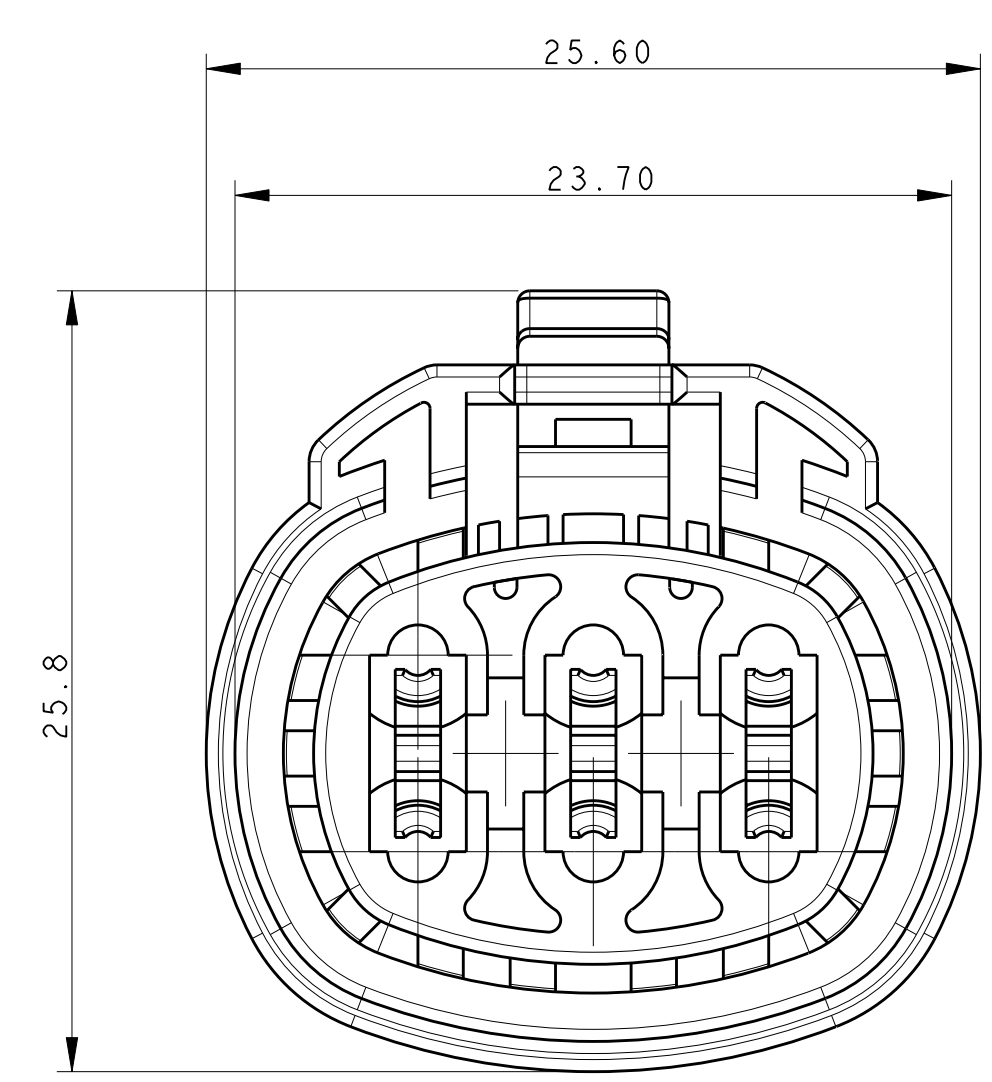
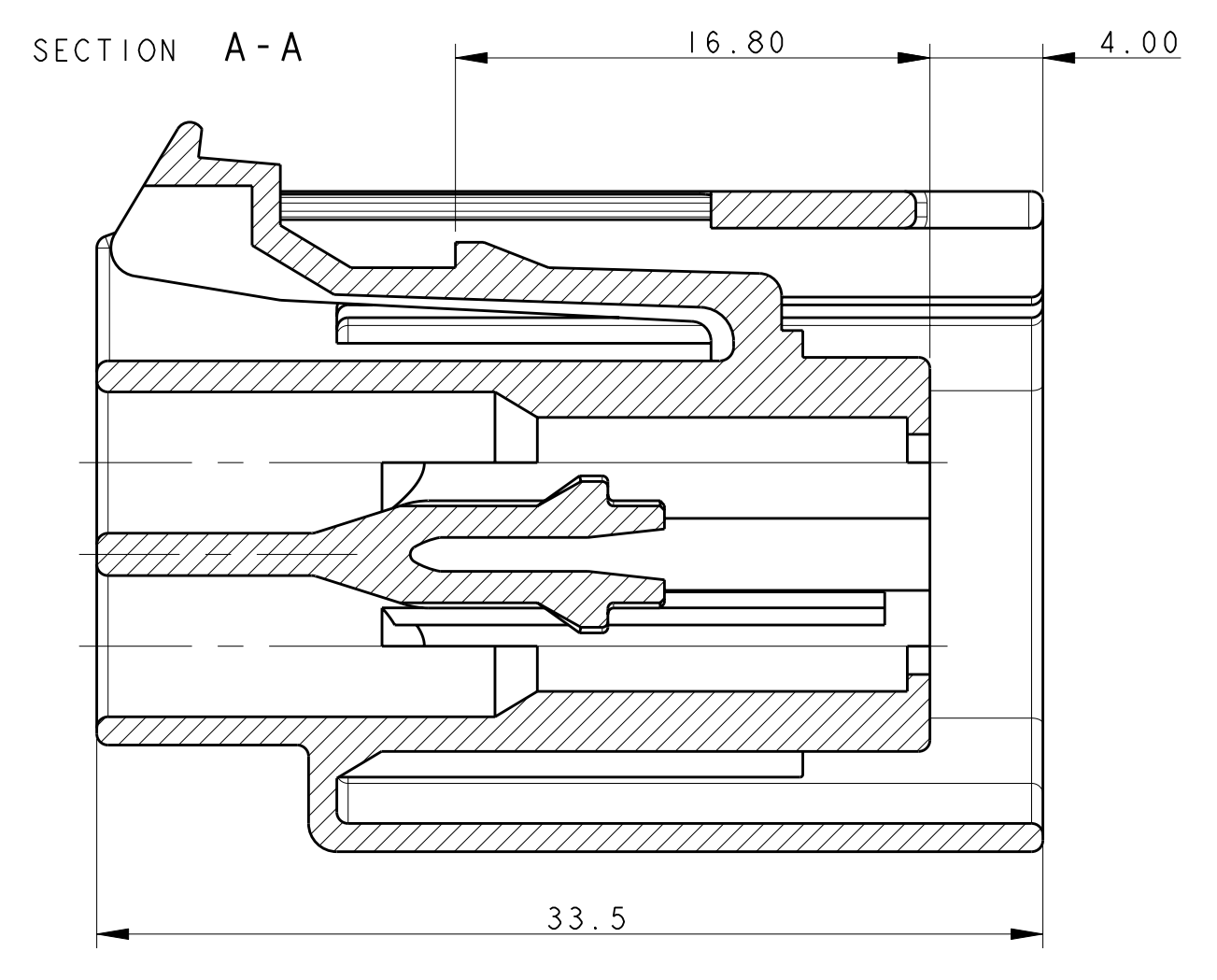
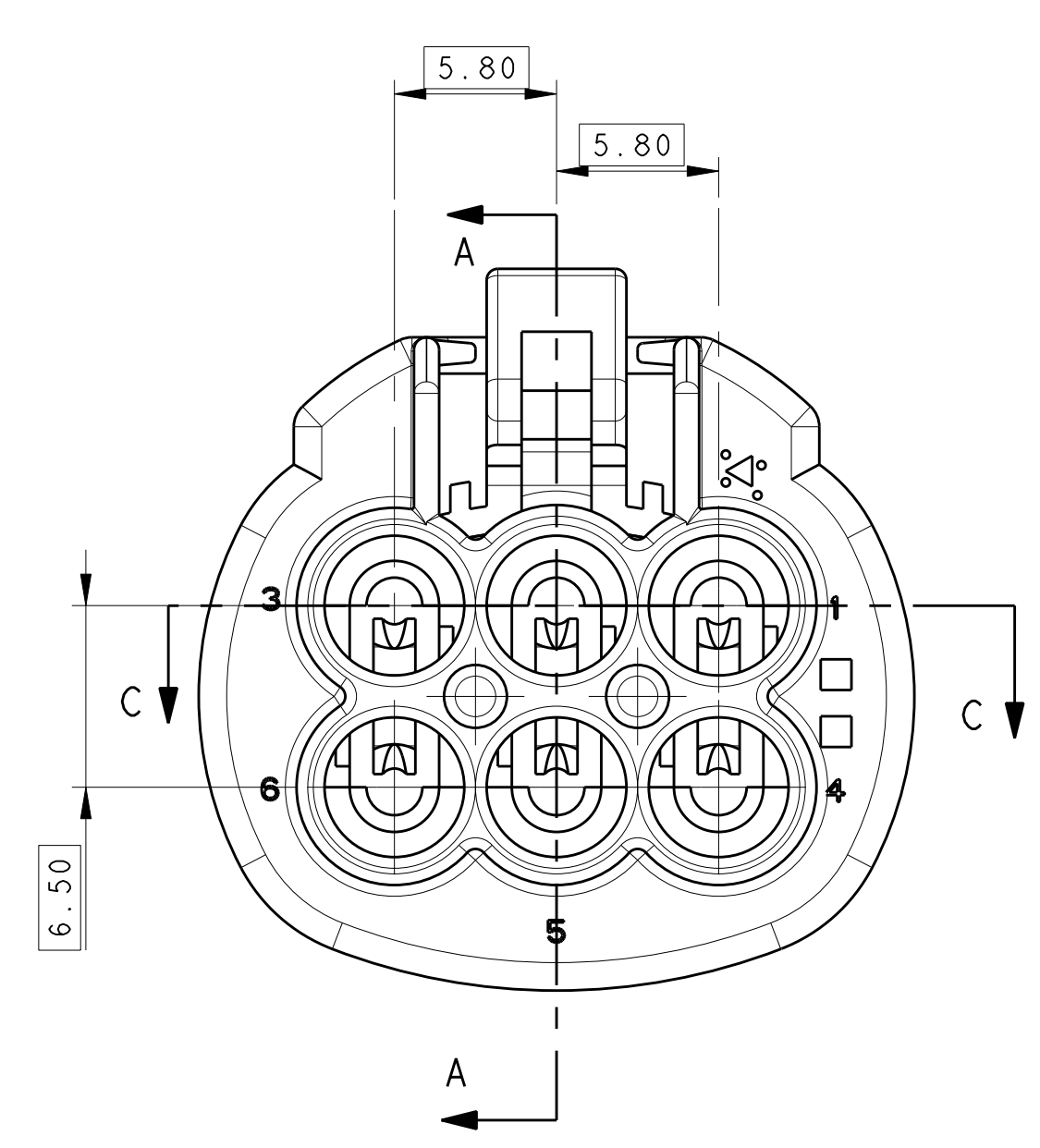
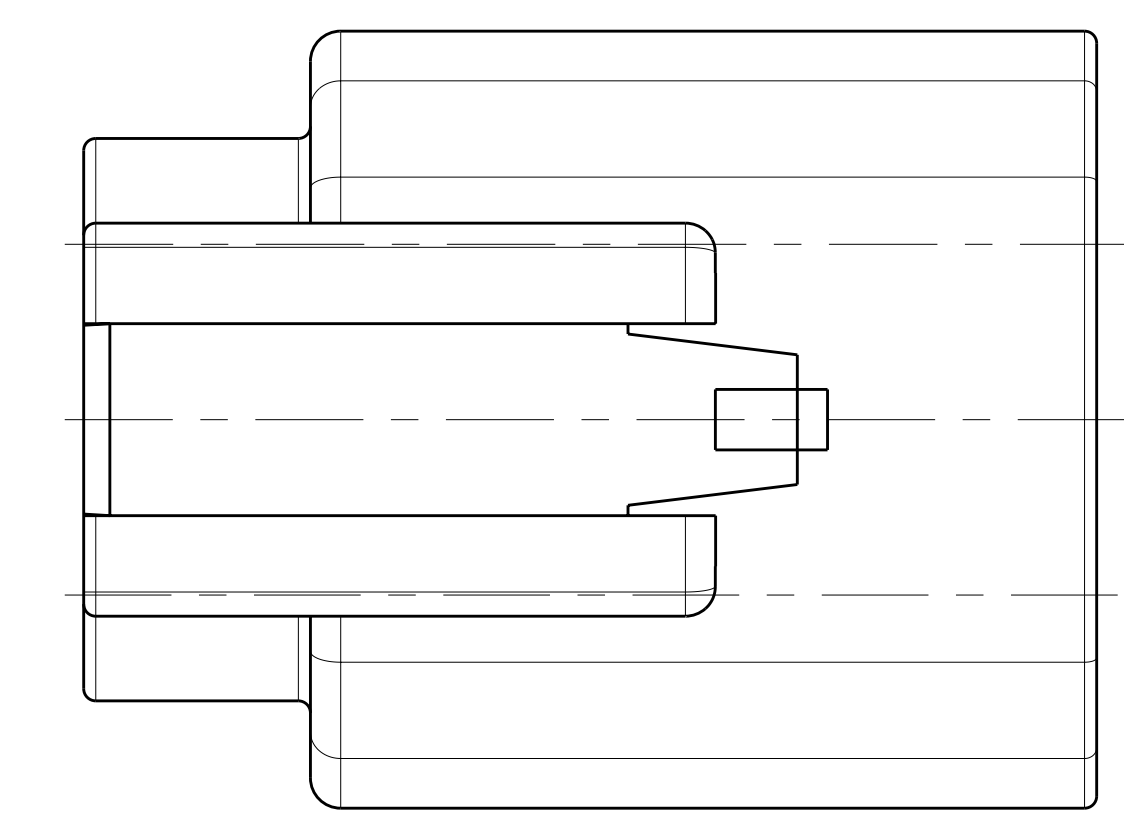
HOUSING MALE WITHOUT RETAINER

FULL SIZE VIEWS
SCALE 1.000

HOUSING
WATERPROOF / NON WATERPROOF

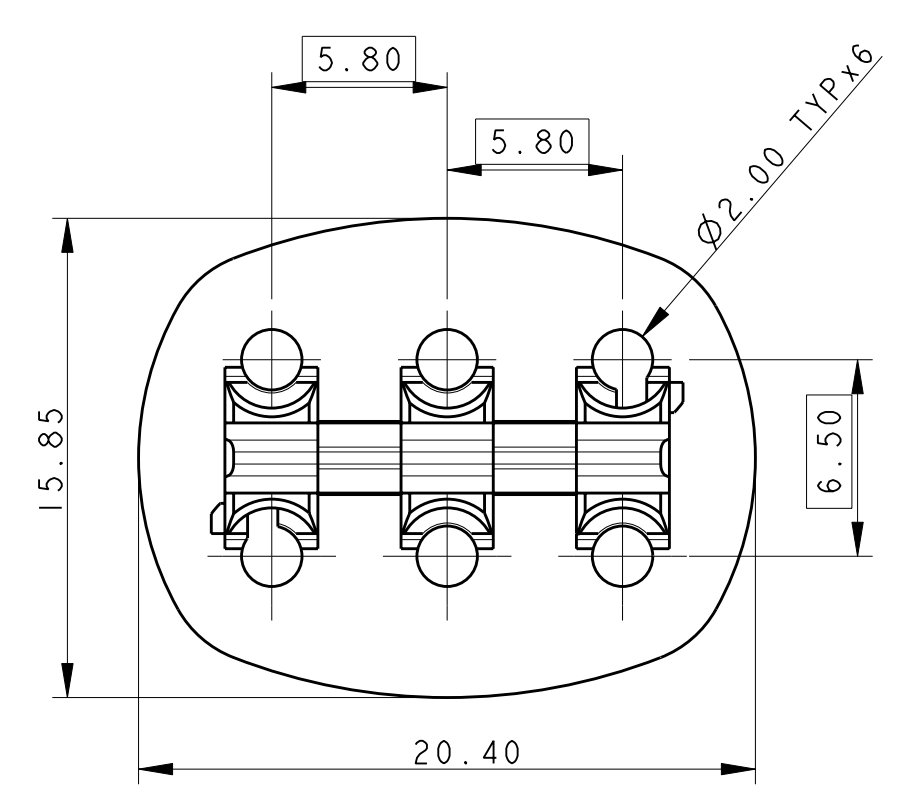


HOUSING WITH RETAINER
WATERPROOF / NON WATERPROOF



SECTION A-A
AS SHIPPED FOR WIRE ASSEMBLY (SPACER IN PRIMARY LATCH POSITION)

SPACER NOTES

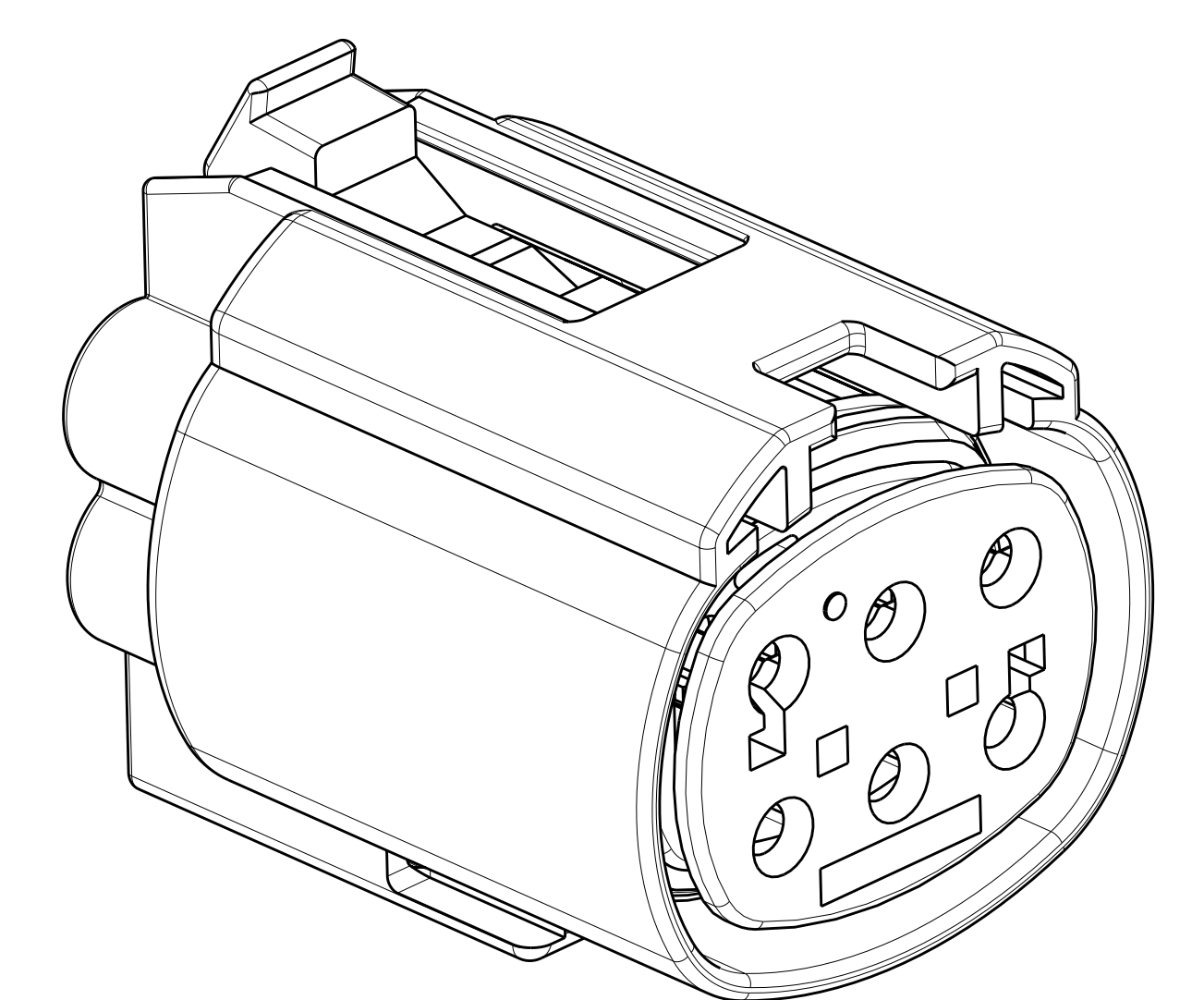


						DESCRIPTION	ITEM
	I	I				HOUSING WITH RETAINER (BLACK)	1
	I	I				HOUSING WITHOUT RETAINER (BLACK)	1
			I	I		HOUSING WITH RETAINER (NATURAL)	1
				I	I	HOUSING WITHOUT RETAINER (NATURAL)	1
	I	I				SEAL (REDDISH BROWN)	2
	I	I				SPACER (LIGHT BLUE)	3
						SPACER (RED)	3
4-1437700-0 REVA							
4-1437701-1 REVA							
4-1437702-2 REVA							
4-1437703-3 REVA							
4-1437704-4 REVA							
0-1418093-1 REVA							
0-1418093-2 REVA							
0-1418093-3 REVA							

PART AS SUPPLIED				COMPONENTS			COLOURS			MATERIALS		
TYCO ELECTRONICS PART No.	DESCRIPTION	WATERPROOF	WEIGHT	1 HOUSING	2 SPACER	3 SEAL	1 HOUSING	2 SPACER	3 SEAL	1 HOUSING	2 SPACER	3 SEAL
4-1437710-0	6 WAY MALE CONNECTOR	YES	10.0 gr.	I	I	I	BLACK	LIGHT BLUE	REDDISH BROWN	PBTP 33% GF	PBTP 33% GF	SILICONE ELASTOMER
4-1437710-1	6 WAY MALE CONNECTOR WITH RETAINER		10.8 gr.	I	I	I						
4-1437710-2	6 WAY MALE CONNECTOR	NO	9.8 gr.	I	I		RED			PBTP 33% GF	PBTP 33% GF	SILICONE ELASTOMER
4-1437710-3	6 WAY MALE CONNECTOR WITH RETAINER		10.6 gr.	I	I							

SUITABLE FOR		
TERMINAL FEMALE	WIRE SEAL	BLIND PLUG
0-1437709-9 (0.22-0.35mm ²) GOLD PLATED 1-1437709-0 (0.50-1.00mm ²) GOLD PLATED 1-1437709-7 (1.50mm ²) GOLD PLATED 1-1437709-4 (0.22-0.35mm ²) TIN PLATED 1-1437709-5 (0.50-1.00mm ²) TIN PLATED 1-1437709-6 (1.50mm ²) TIN PLATED	1-1437713-1 (0.22-0.35) BLACK 1-1437713-2 (0.50-1.00) RED 1-1437713-3 (1.50) BLUE	1-1437713-4

MATING PARTS	
TYCO ELECTRONICS PART No.	DESCRIPTION
2-1437712-0	6 WAY FEMALE CONNECTOR WATERPROOF
2-1437712-1	6 WAY FEMALE CONNECTOR NON WATERPROOF



PART AS SUPPLIED				COMPONENTS			COLOURS			MATERIALS		
TYCO ELECTRONICS PART No.	DESCRIPTION	WATERPROOF	WEIGHT	1 HOUSING	2 SPACER	3 SEAL	1 HOUSING	2 SPACER	3 SEAL	1 HOUSING	2 SPACER	3 SEAL
0-1418093-3	6 WAY MALE CONNECTOR	YES	10.0 gr.	I	I	I	NATURAL	LIGHT BLUE	REDDISH BROWN	PBTP 33% GF	PBTP 33% GF	SILICONE ELASTOMER
4-1437710-4	6 WAY MALE CONNECTOR WITH RETAINER		10.8 gr.	I	I	I						
0-1418093-1	6 WAY MALE CONNECTOR	NO	9.8 gr.	I	I		RED			PBTP 33% GF	PBTP 33% GF	SILICONE ELASTOMER
0-1418093-2	6 WAY MALE CONNECTOR WITH RETAINER		10.6 gr.	I	I							

SUITABLE FOR		
TERMINAL FEMALE	WIRE SEAL	BLIND PLUG
0-1437709-9 (0.22-0.35mm ²) GOLD PLATED 1-1437709-0 (0.50-1.00mm ²) GOLD PLATED 1-1437709-7 (1.50mm ²) GOLD PLATED 1-1437709-4 (0.22-0.35mm ²) TIN PLATED 1-1437709-5 (0.50-1.00mm ²) TIN PLATED 1-1437709-6 (1.50mm ²) TIN PLATED	1-1437713-1 (0.22-0.35) BLACK 1-1437713-2 (0.50-1.00) RED 1-1437713-3 (1.50) BLUE	1-1437713-4

MATING PARTS	
TYCO ELECTRONICS PART No.	DESCRIPTION
2-1437712-1	6 WAY FEMALE CONNECTOR NON WATERPROOF

NOTES UNLESS OTHERWISE SPECIFIED:

- SEE CHART FOR MATING PART NUMBERS.
- THE CONNECTOR WITH RETAINER MOUNTING FEATURE IS DESIGNED TO PASS THROUGH A Ø 29.00mm MIN. HOLE AND WITHOUT RETAINER MOUNTING FEATURE THROUGH A Ø27.00mm MIN HOLE.

<p>TYCO ELECTRONICS S.p.A. - RELEASED FOR PUBLICATION C. COPYRIGHT 2009 BY TYCO ELECTRONICS CORPORATION. ALL RIGHTS RESERVED.</p>	<p>DATE: 21FEB2006 BY: M. PALMA CHKD: R. MARTINI APPD: A. GENTA</p>	<p>TYCO ELECTRONICS S.p.A. Tyco Electronics AMP Italia S.p.A. C.so F.lli Cervi 15, Collighe (TO)</p>
<p>DIMENSIONS: mm</p>	<p>PRODUCT SPEC: 108-20269 APPLICATION SPEC: 411-20111</p>	<p>NAME: 6 WAY SYSTEM 6 WAYS CONNECTOR MALE SIZE: 411-20111 CASE CODE (DRAWING NO): 00779 DRAWING NO: 1418075</p>
<p>MATERIAL: SEE TABLES</p>	<p>REMARK: SEE TABLES</p>	<p>RESTRICTED TO: - SCALE: 4:1 SHEET: 1 OF 2 REV: A5</p>

LOC	DIST	REV	DATE	BY	APPD
1	-				

REVISIONS					
REV	DATE	DESCRIPTION	DATE	BY	APPD
-		SEE SHEET 1	-	-	-

6 WAYS MALE, BLACK (WATERPROOF VERSION WITH RETAINER)	
ASSEMBLY	
T&B UNIVERSAL PART No.	106067
TYCO ELECTRONICS PART No.	△ 1-1437710-7
T&B FORD PART No.	MPIKA-10R6XX
FORD PART No.	89FG-14A464-BFC
TYCO ELECTRONICS PART No.	4-1437710-1

△ OBSOLETE, SUPERSEDED BY 4-1437710-1

6 WAYS MALE, BLACK (WATERPROOF VERSION WITHOUT RETAINER)	
ASSEMBLY	
T&B UNIVERSAL PART No.	106065
TYCO ELECTRONICS PART No.	△ 1-1447338-1
T&B FORD PART No.	MPIKA-1006XX
FORD PART No.	89FG-14A464-AFB
TYCO ELECTRONICS PART No.	4-1437710-0

△ OBSOLETE, SUPERSEDED BY 4-1437710-0

6 WAYS MALE, BLACK (NON-WATERPROOF VERSION WITH RETAINER)	
ASSEMBLY	
T&B UNIVERSAL PART No.	106068
TYCO ELECTRONICS PART No.	-
T&B FORD PART No.	MPIKA-1AR6XX
FORD PART No.	89FG-14489-BFC
TYCO ELECTRONICS PART No.	4-1437710-3

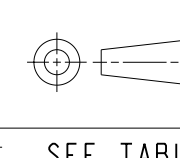
6 WAYS MALE, BLACK (NON-WATERPROOF VERSION WITHOUT RETAINER)	
ASSEMBLY	
T&B UNIVERSAL PART No.	106066
TYCO ELECTRONICS PART No.	-
T&B FORD PART No.	MPIKA-1AO6XX
FORD PART No.	89FG-14489-AFB
TYCO ELECTRONICS PART No.	4-1437710-2

6 WAY MALES, NATURAL (WATERPROOF VERSION WITH RETAINER)	
ASSEMBLY	
T&B UNIVERSAL PART No.	-
TYCO ELECTRONICS PART No.	-
T&B FORD PART No.	MPIKA-NOR6XX
FORD PART No.	89FG-14A464-BFC
TYCO ELECTRONICS PART No.	4-1437710-4

6 WAYS MALE, NATURAL (WATERPROOF VERSION WITHOUT RETAINER)	
ASSEMBLY	
T&B UNIVERSAL PART No.	-
TYCO ELECTRONICS PART No.	-
T&B FORD PART No.	MPIKA-N006XX
FORD PART No.	89FG-14A464-AFB
TYCO ELECTRONICS PART No.	0-1418093-3

6 WAYS MALE, NATURAL (NON-WATERPROOF VERSION WITH RETAINER)	
ASSEMBLY	
T&B UNIVERSAL PART No.	-
TYCO ELECTRONICS PART No.	-
T&B FORD PART No.	MPIKA-NAR6XX
FORD PART No.	89FG-14489-BFC
TYCO ELECTRONICS PART No.	0-1418093-2

6 WAYS MALE, NATURAL (NON-WATERPROOF VERSION WITHOUT RETAINER)	
ASSEMBLY	
T&B UNIVERSAL PART No.	106066
TYCO ELECTRONICS PART No.	-
T&B FORD PART No.	MPIKA-NAO6XX
FORD PART No.	89FG-14489-AFB
TYCO ELECTRONICS PART No.	0-1418093-1

DIMENSIONS: 		TOLERANCES UNLESS OTHERWISE SPECIFIED: 0 P/LC ±.1 1 P/LC ±0.3 2 P/LC ±0.1 3 P/LC ±.1 4 P/LC ±.1 ANGLES ±.1°	DWG. 21FEB2006 CHK. W. PALMA 21FEB2006 R. MARTIN 21FEB2006 APPR. A. GENTA 21FEB2006	Tyco Electronics Tyco Electronics AMP Italia S.p.A. C.so F.lli Cervi 15, Colligo (TO)
MATERIAL: SEE TABLES		PRODUCT SPEC: 108-20269 APPLICATION SPEC: 411-20111	NAME: 1.6mm SYSTEM 6 WAYS CONNECTOR MALE	SIZE: CASE CODE (DRAWING NO.) RESTRICTED TO:
CUSTOMER DRAWING		RETORT: SEE TABLES	SCALE: 4:1 SHEET: 2 OF 2 REV: A5	ID: 00779 C=1418075

Данный компонент на территории Российской Федерации

Вы можете приобрести в компании MosChip.

Для оперативного оформления запроса Вам необходимо перейти по данной ссылке:

<http://moschip.ru/get-element>

Вы можете разместить у нас заказ для любого Вашего проекта, будь то серийное производство или разработка единичного прибора.

В нашем ассортименте представлены ведущие мировые производители активных и пассивных электронных компонентов.

Нашей специализацией является поставка электронной компонентной базы двойного назначения, продукции таких производителей как XILINX, Intel (ex.ALTERA), Vicor, Microchip, Texas Instruments, Analog Devices, Mini-Circuits, Amphenol, Glenair.

Сотрудничество с глобальными дистрибьюторами электронных компонентов, предоставляет возможность заказывать и получать с международных складов практически любой перечень компонентов в оптимальные для Вас сроки.

На всех этапах разработки и производства наши партнеры могут получить квалифицированную поддержку опытных инженеров.

Система менеджмента качества компании отвечает требованиям в соответствии с ГОСТ Р ИСО 9001, ГОСТ РВ 0015-002 и ЭС РД 009

Офис по работе с юридическими лицами:

105318, г.Москва, ул.Щербаковская д.3, офис 1107, 1118, ДЦ «Щербаковский»

Телефон: +7 495 668-12-70 (многоканальный)

Факс: +7 495 668-12-70 (доб.304)

E-mail: info@moschip.ru

Skype отдела продаж:

moschip.ru

moschip.ru_4

moschip.ru_6

moschip.ru_9