

NEW



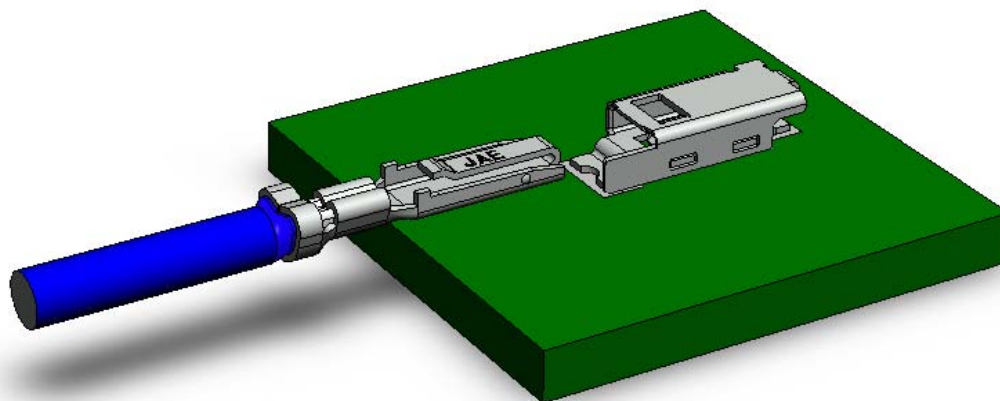
ES5 Series

CONNECTOR

MB-0243-2

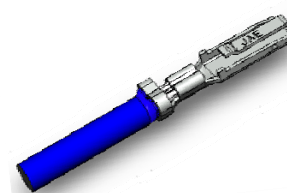
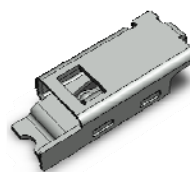
May 2013

RoHS Compliant



Socket (ES5S001JF1)

Plug (ES5P09K5F1)



The ES5 Series is a compact, low-profile 1-pin connector compatible with stranded cable.

The ES5 Series is ideal for use in a wide range of applications including LED lighting, LCD TV backlight, tablet PC, and other compact devices.

Features

- No insulator, low-profile design (mounted height: 1.6mm).
- Detachable locking structure (connector retention strength: 16N min.).
- Socket (SMT side) is available in embossed reel packaging for automated mounting.
- RoHS compliant.
- Exclusively for stranded cable.
- Mis-mating prevention structure.

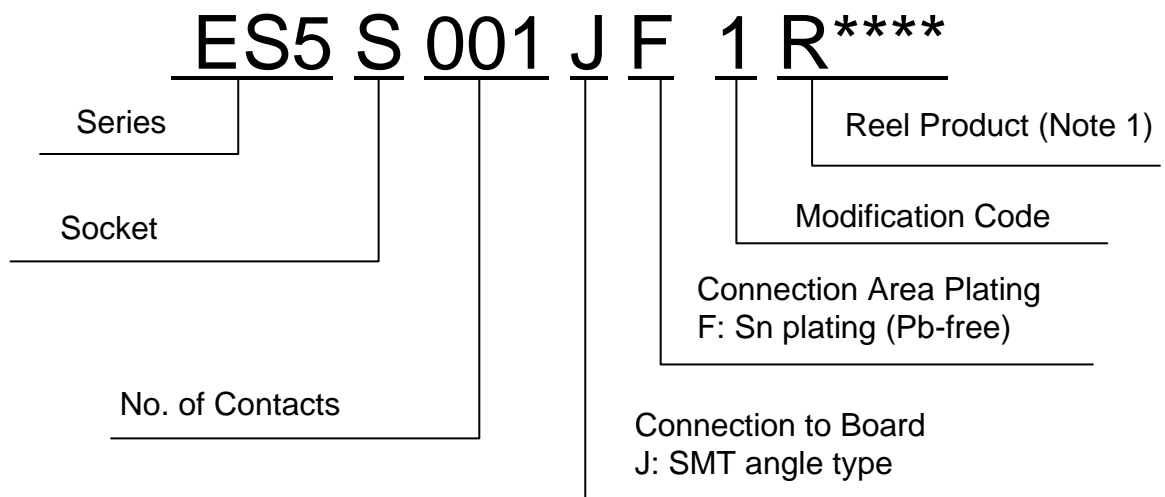
General Specifications

- No. of Contacts: 1 position
 - Contact Resistance: 30mΩ max. (initial)
 - Rated Current: AC / DC 4A
 - Mating Cycles: 20 times
 - Operating Temperature: -40 to +105 Deg. C
 - Applicable wire: 24AWG to 28AWG
(Outer cable diameter: 1.6 to 0.9mm diameter)
- *Please contact us concerning applicable cable.

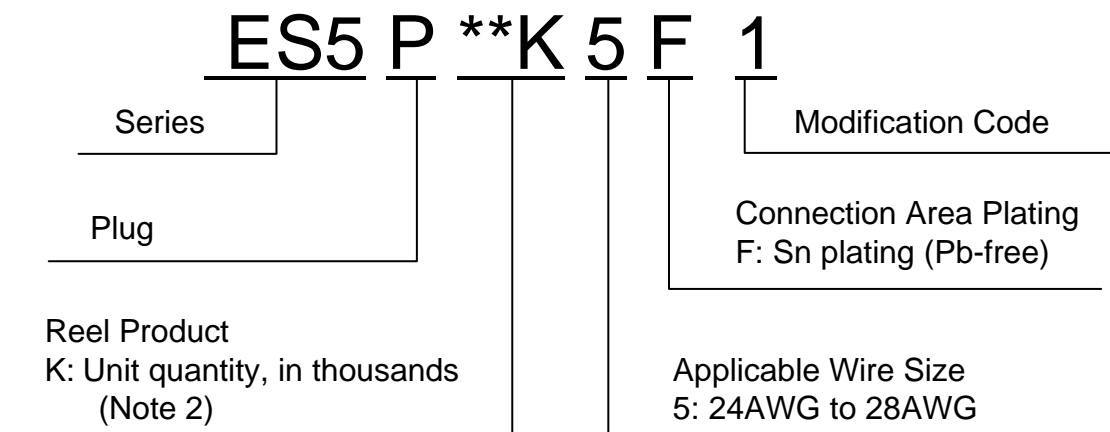
Materials and Finishes

Component	Material / Finish
Socket Contact Plug Contact	Copper alloy / Sn plating

Ordering Information



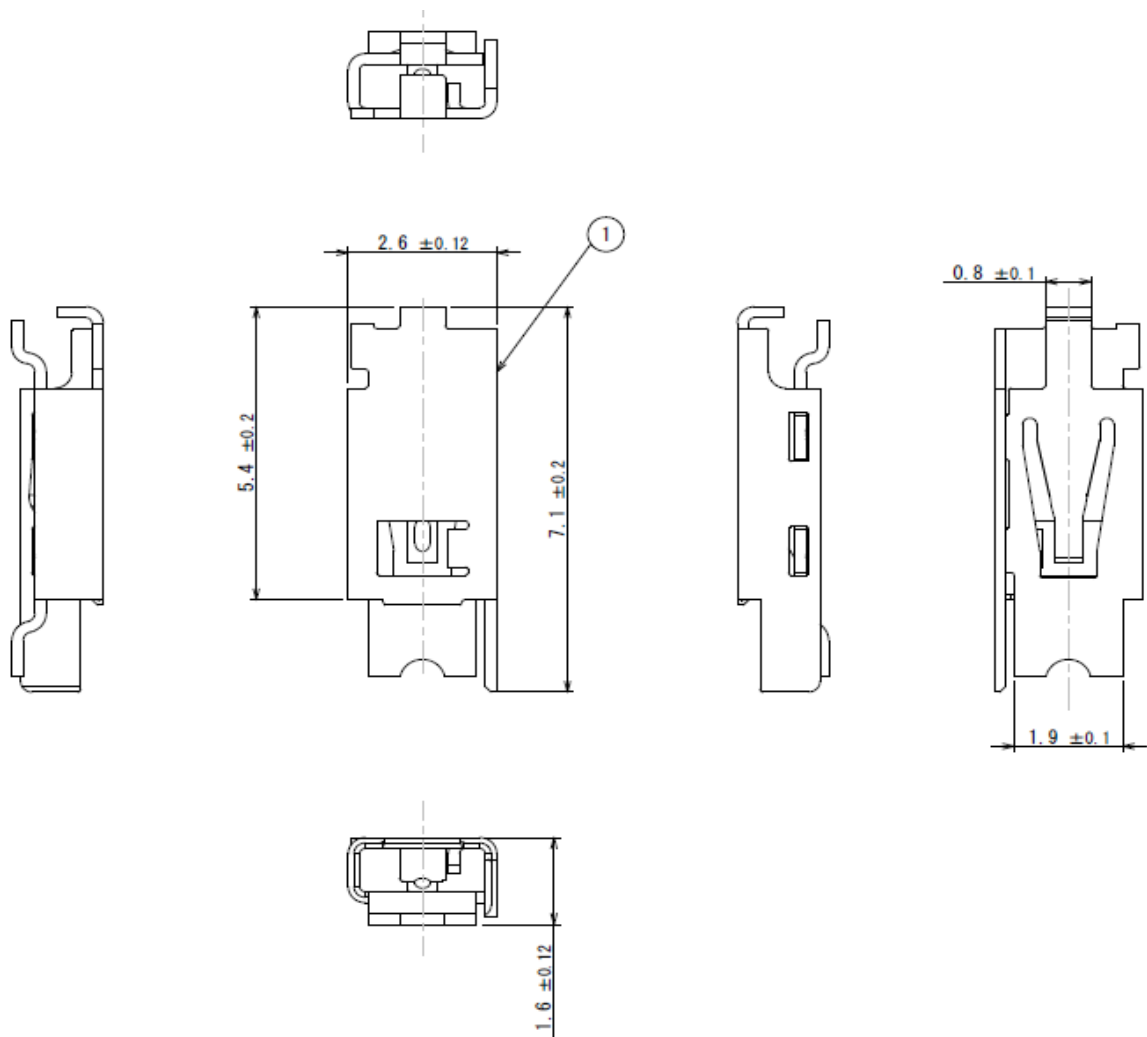
Note 1: An embossed tape reel contains 5,500 pieces.



Note 2: An embossed tape reel contains 9,000 pieces.

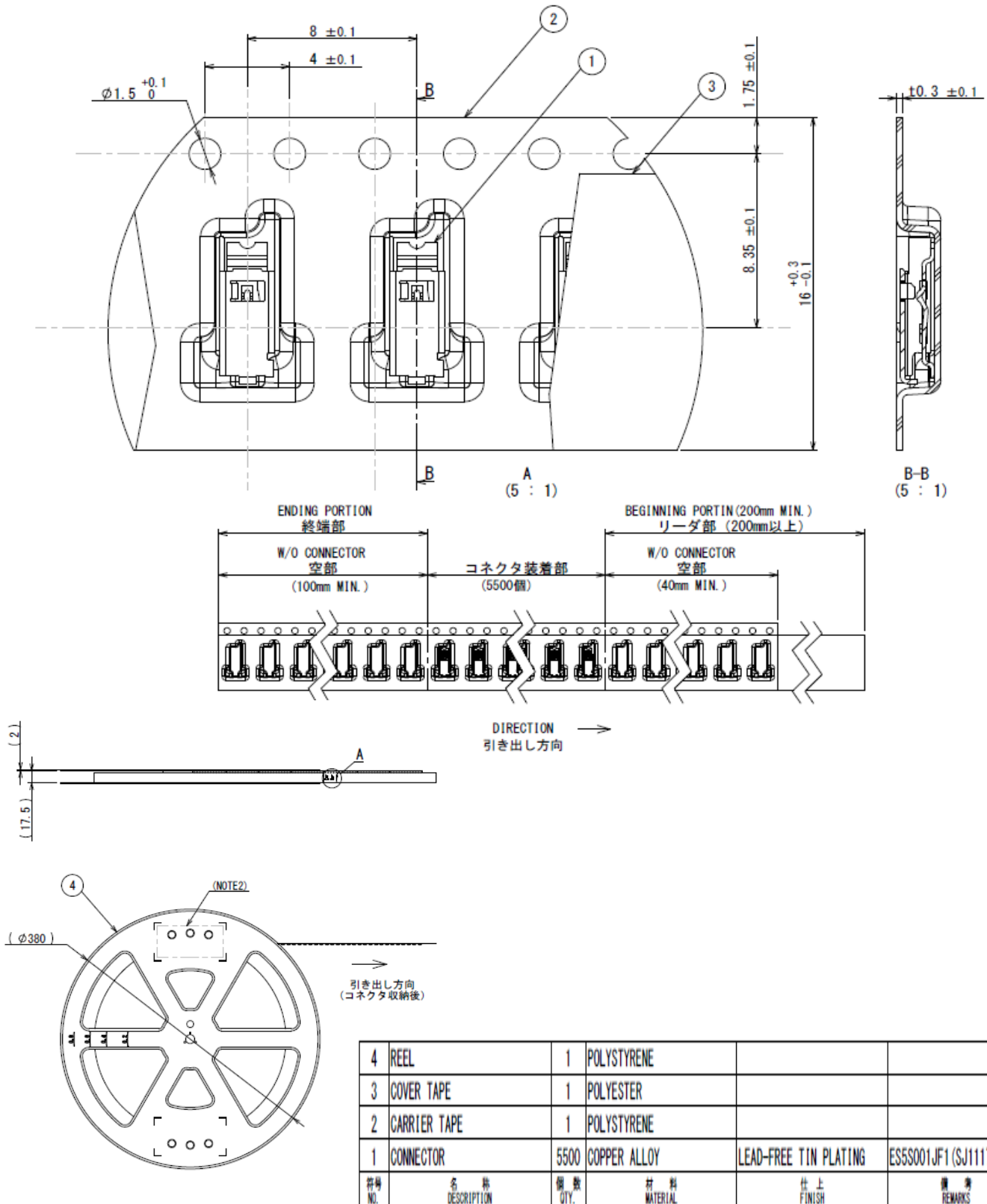
Product Drawing

Part Number	ES5S001JF1
Drawing No.	SJ111746

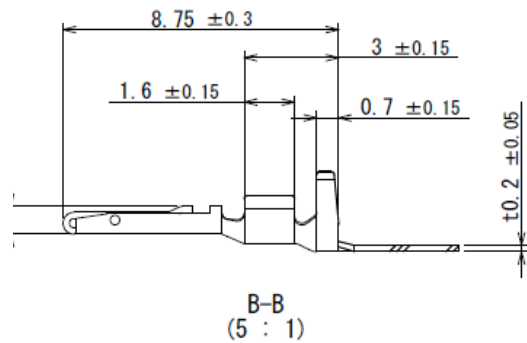
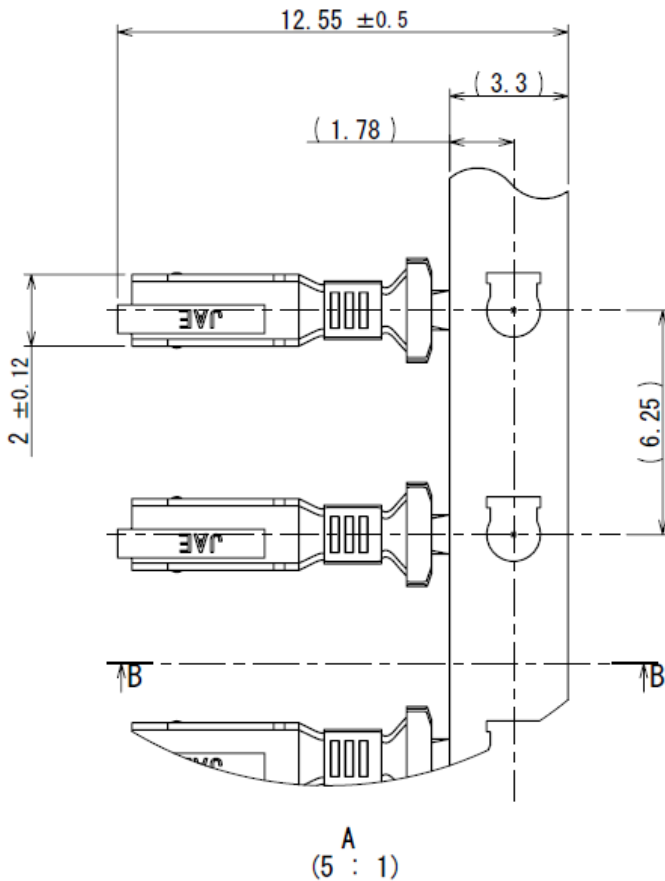


1	CONNECTOR	1	COPPER ALLOY	LEAD-FREE TIN PLATING	
符号 NO.	名称 DESCRIPTION	数量 QTY.	材料 MATERIAL	仕上 FINISH	備考 REMARKS

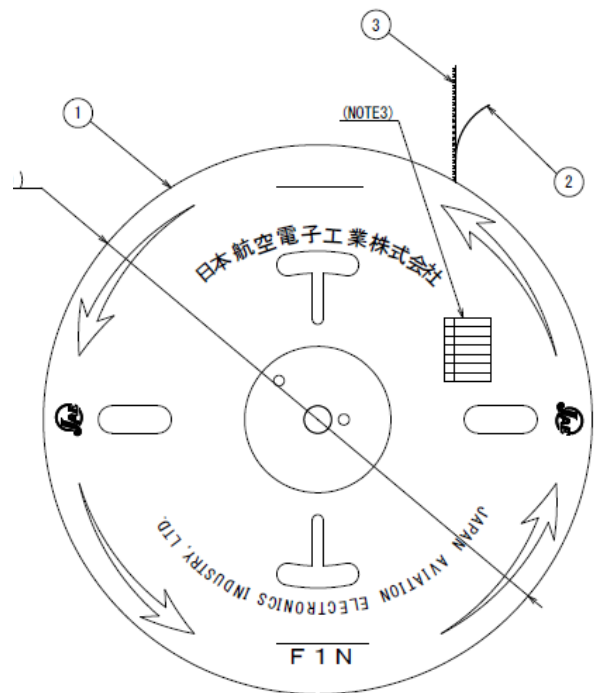
Part Number	ES5S001JF1R5500
Drawing No.	SJ111747



Part Number	ES5P09K5F1
Drawing No.	SJ111748

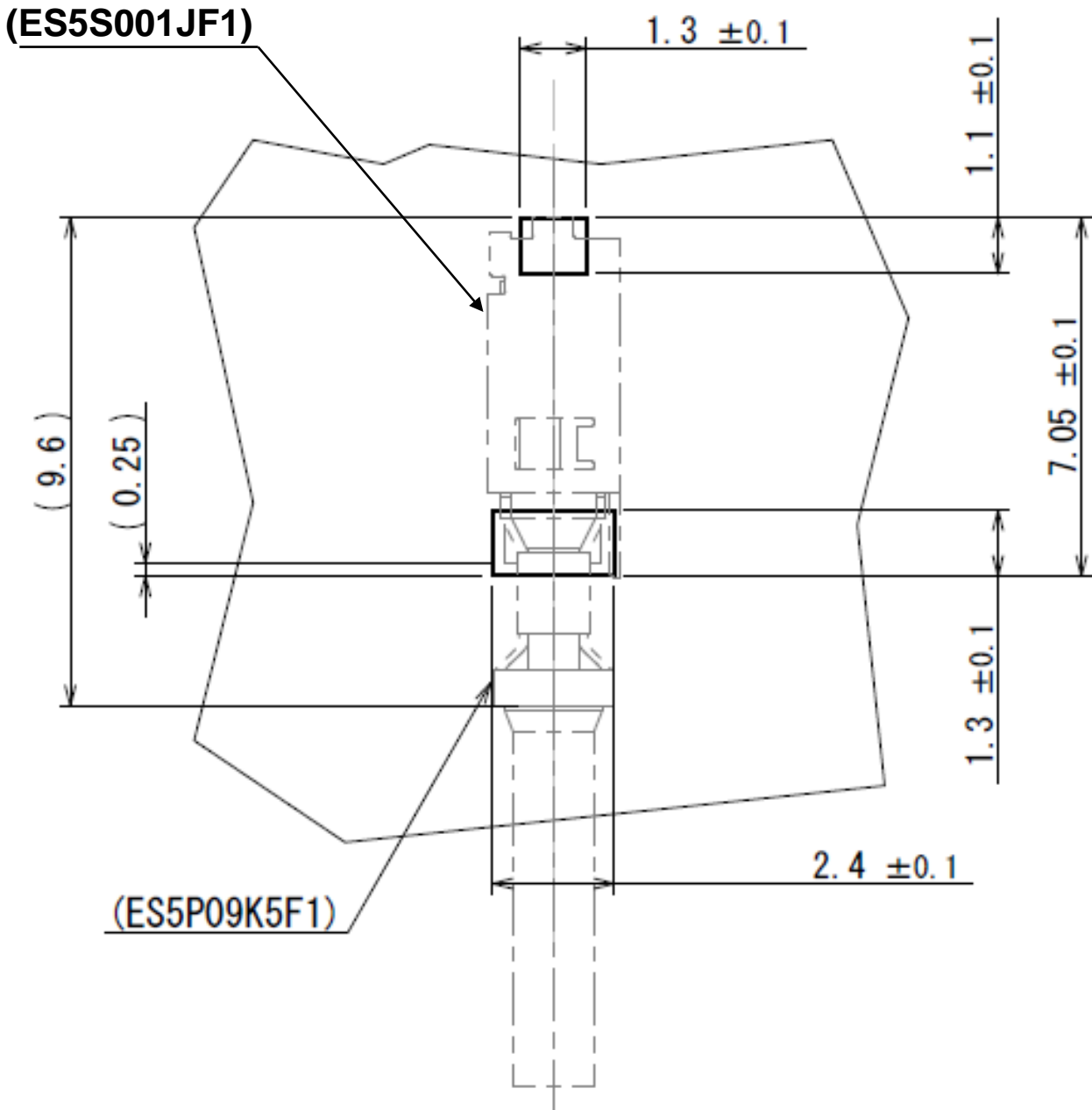


Applicable Wire Specifications:
 24 to 28AWG
 Outer cable diameter: 1.6 to 0.9mm dia.



3	CONTACT	9000	COPPER ALLOY	LEAD-FREE TIN PLATING	
2	PAPER TAPE	1	PAPER		
1	REEL	1	PAPER		
符号 NO.	名称 DESCRIPTION	個数 QTY.	材料 MATERIAL	仕上 FINISH	備考 REMARKS

Applicable Board Dimensions (for reference)



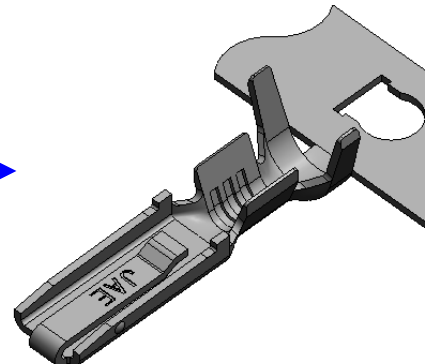
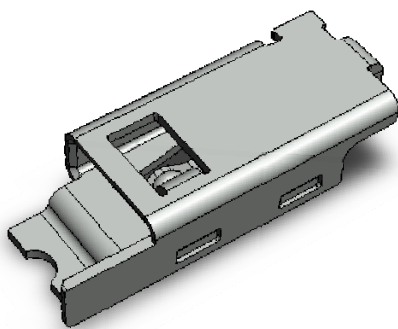
APPLICABLE P. C. B. DIMENSION (REF)
 適合基板寸法 (参考)
 (5 : 1)

ES5 Mating Combinations

Standard Product (cULus non-compliant)

Board Side Terminal (Socket)

Crimp Terminal (Plug)



ES5S001JF1R5500

ES5P09K5F1
24 to 28AWG

cULus Certified Product

Board Side Terminal (Socket)

Crimp Terminal (plug)



ES5S001JFAR5500 (Note 1)

(1) ES5P09K5FA (Note 1)

(2) ES5P09K4F2 (Note 1)

24 to 26AWG

22AWG

cULus Certified Product

cULus Certified Product

cULus Certified Product



Note 1) For more information please refer to our brochure for the ES5 Series (cULus Certified Product) (MB-0246-3).

Technical Documents

	Technical Document No. (Contents of Document)
SJ Drawings	SJ111746 (ES5 socket, individual product) SJ111747 (ES5 socket, embossed packaging product) SJ111748 (ES5 plug)
Specifications	JACS-10805
Handling Instructions	JAHL-10805
Crimp Applicator Handling Instructions	T703470 (for semi-automatic crimping machine) * Please contact us for handling instructions for full-automatic crimping machine.
Hand-crimp Tool Handling Instructions	T700316
Removal Jig Handling Instructions	T711179

Notice:

1. The values specified in this brochure are only for reference. The products and their specifications are subject to change without notice. Contact our sales staff for further information before considering or ordering any of our products. For purchase, a product specification must be agreed upon.
2. Users are requested to provide protection circuits and redundancy circuits to ensure safety of the equipment, and sufficiently review the suitability of JAE's products to the equipment.
3. The products presented in this brochure are designed for the uses recommended below. We strongly suggest you contact our sales staff when considering use of any of the products in any other way than the recommended applications or for a specific use that requires an extremely high reliability.
 - (1) Applications that require consultation:
 - (i) Please contact us if you are considering use involving a quality assurance program that you specify or that is peculiar to the industry, such as:
Automotive electrical components, train control, telecommunications devices (mainline), traffic light control, electric power, combustion control, fire prevention or security systems, disaster prevention equipment, etc.
 - (ii) We may separately give you our support with a quality assurance program that you specify, when you think of a use such as :
Aviation or space equipment, submarine repeaters, nuclear power control systems, medical equipment for life support, etc.
 - (2) Recommended applications include:
Computers, office appliances, telecommunications devices (terminals, mobile units), measuring equipment, audiovisual equipment, home electric appliances, factory automation equipment, etc

Japan Aviation Electronics Industry, Limited

Product Marketing Division
Aobadai Building, 3-1-19, Aobadai, Meguro-ku, Tokyo 153-8539
Phone: +81-3-3780-2882 FAX: +81-3-3780-2946

* The specifications in this brochure are subject to change without notice. Please contact JAE for information.

Mouser Electronics

Authorized Distributor

Click to View Pricing, Inventory, Delivery & Lifecycle Information:

[JAE Electronics:](#)

[ES5P09K5F1](#) [ES5S001JF1R5500](#) [ES5P09K5FA](#) [ES5S001JFAR5500](#)

Данный компонент на территории Российской Федерации

Вы можете приобрести в компании MosChip.

Для оперативного оформления запроса Вам необходимо перейти по данной ссылке:

<http://moschip.ru/get-element>

Вы можете разместить у нас заказ для любого Вашего проекта, будь то серийное производство или разработка единичного прибора.

В нашем ассортименте представлены ведущие мировые производители активных и пассивных электронных компонентов.

Нашей специализацией является поставка электронной компонентной базы двойного назначения, продукции таких производителей как XILINX, Intel (ex.ALTERA), Vicor, Microchip, Texas Instruments, Analog Devices, Mini-Circuits, Amphenol, Glenair.

Сотрудничество с глобальными дистрибьюторами электронных компонентов, предоставляет возможность заказывать и получать с международных складов практически любой перечень компонентов в оптимальные для Вас сроки.

На всех этапах разработки и производства наши партнеры могут получить квалифицированную поддержку опытных инженеров.

Система менеджмента качества компании отвечает требованиям в соответствии с ГОСТ Р ИСО 9001, ГОСТ РВ 0015-002 и ЭС РД 009

Офис по работе с юридическими лицами:

105318, г.Москва, ул.Щербаковская д.3, офис 1107, 1118, ДЦ «Щербаковский»

Телефон: +7 495 668-12-70 (многоканальный)

Факс: +7 495 668-12-70 (доб.304)

E-mail: info@moschip.ru

Skype отдела продаж:

moschip.ru

moschip.ru_4

moschip.ru_6

moschip.ru_9