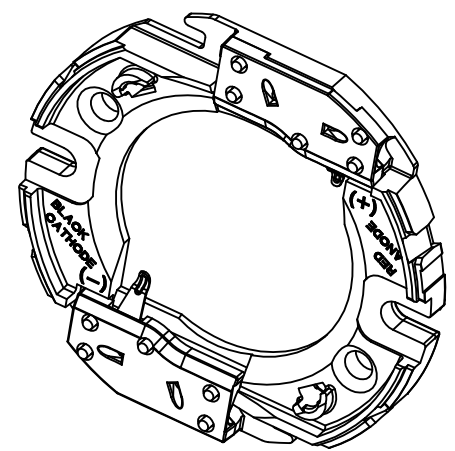
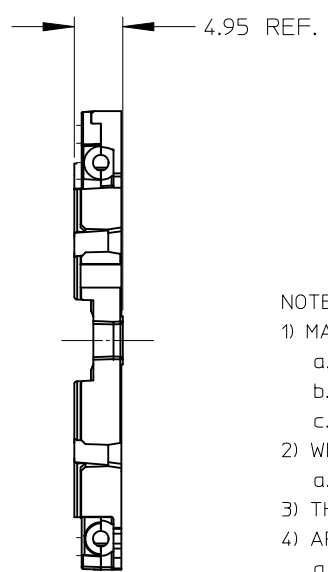
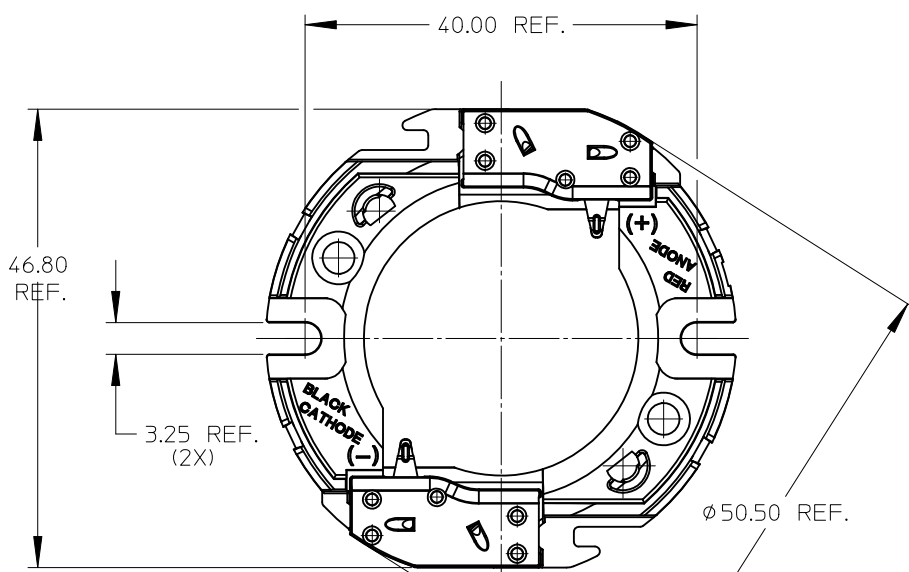
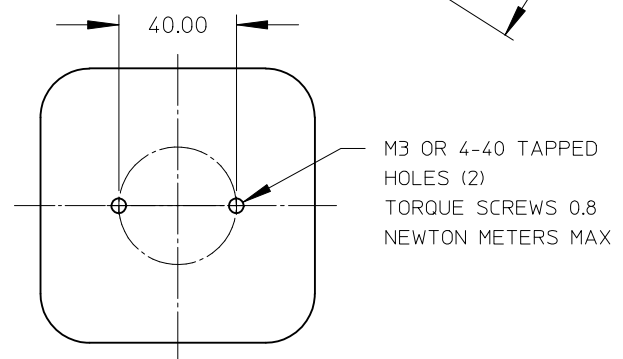


PART NUMBER	DESCRIPTION	SEE SHEET
180190-0000	HOLDER WITHOUT LENS	3
180190-0001	HOLDER WITH LENS	3
180192-0000	COVER LENS ONLY	3



- NOTES:
- MATERIALS:
 - CAPS: NATURAL COLOR PA66 NYLON 25% GF UL94V-0
 - HOUSING: NATURAL COLOR PA66 NYLON 25% GF UL94V-0
 - COVER LENS: CLEAR POLYCARBONATE UL94HB
 - WIRE TRAP TERMINALS: COPPER ALLOY
 - FINISH: GOLD OVER NICKEL
 - THIS PRODUCT IS ELV AND ROHS COMPLIANT
 - APPLICABLE WIRE GAUGE - 18 OR 20 AWG
 - SOLID WIRE IS RECOMMENDED
 - IF STRANDED WIRE IS USED, PRE-TINNED IS RECOMMENDED
 - 1 cm STRIP LENGTH IS RECOMMENDED
 - MOUNT HOLDER USING M3 OR 4-40 SCREWS (2), 0.8 NEWTON METERS MAX TORQUE
 - UL RECOGNIZED TO UL496
 c-UL RECOGNIZED TO CSA-C22.2 NO. 43 (2008)
 RATED 600V
 UL FILE NUMBER: E345583, UL-OLFB2

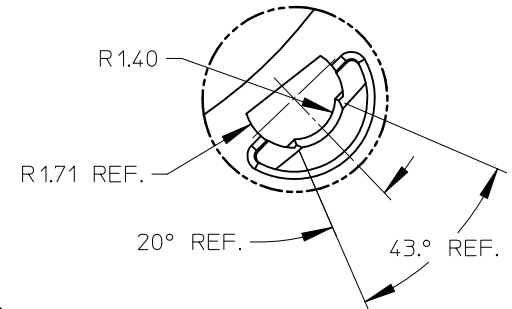
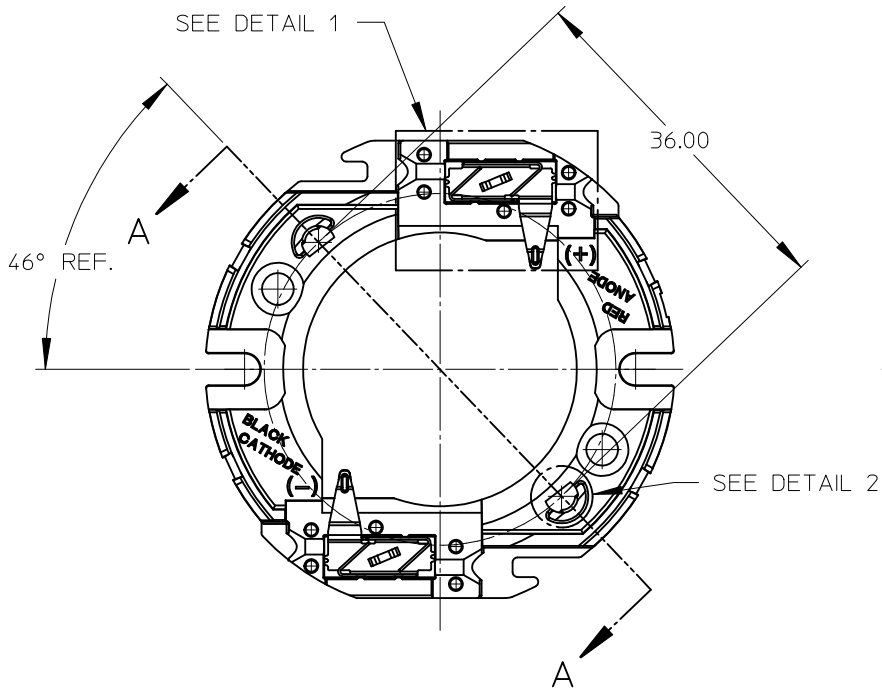


RECOMMENDED MOUNTING DIMENSIONS (NTS)

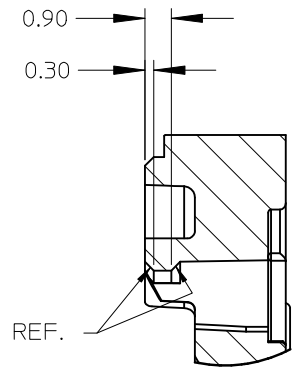
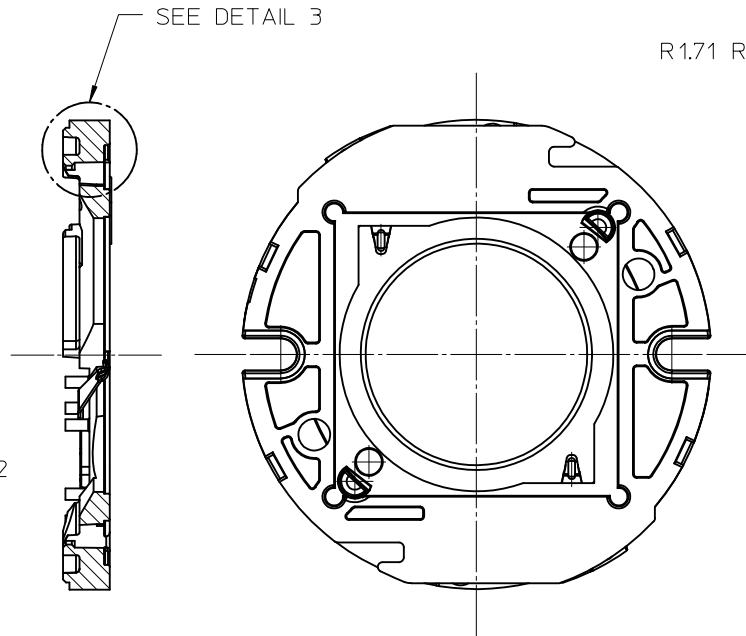
ENTER DESCRIPTION EC NO: SSL2012-0008 DRW/INF: JAKLIC 2011/08/02 CHKD: APPR: DMCGOWAN 2011/08/05	QUALITY SYMBOLS ▽=0 ▽=0 ▽=0	GENERAL TOLERANCES (UNLESS SPECIFIED)		DIMENSION STYLE MM ONLY		SCALE 2:1	DESIGN UNITS METRIC	THIRD ANGLE PROJECTION		
		4 PLACES ± --- ± ---	mm INCH	DRAWN BY FJAKLIC	DATE 2011/01/28	CITIZEN L-340 LED HOLDER				
		3 PLACES ± --- ± ---		CHECKED BY	DATE					
		2 PLACES ± 0.13 ± ---		APPROVED BY DMCGOWAN		DATE 2011/02/18	MOLEX INCORPORATED		SHEET NO. 1 OF 3	
1 PLACE ± 0.25 ± ---		MATERIAL NO.		DOCUMENT NO. SD-180190-001						
DRAFT WHERE APPLICABLE MUST REMAIN WITHIN DIMENSIONS				SEE CHART		THIS DRAWING CONTAINS INFORMATION THAT IS PROPRIETARY TO MOLEX INCORPORATED AND SHOULD NOT BE USED WITHOUT WRITTEN PERMISSION				

10 9 8 7 6 5 4 3 2 1

WIRE TRAP CAPS ARE REMOVED FROM FRONT VIEW FOR CLARITY

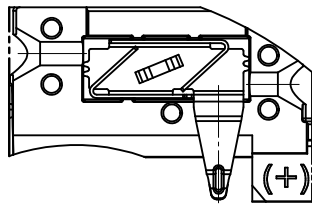


DETAIL 2 SCALE 6:1



LENS TO HOLDER SNAP FIT DETAIL

DETAIL 3 SCALE 6:1



VIEW OF TWO-WAY WIRE TRAP

WIRE TRAPS WILL ACCOMODATE EITHER 18 OR 20 GAUGE WIRE

DETAIL 1 SCALE 3:1

ENTER DESCRIPTION EC NO: SSL2012-0008 DRAWN: JAKLIC 2011/08/02 CHKD: APPR: DMCGOWAN 2011/08/05 DESCRIPTION REV	QUALITY SYMBOLS $\nabla=0$ $\nabla=0$ $\nabla=0$	GENERAL TOLERANCES (UNLESS SPECIFIED) mm INCH 4 PLACES ± --- ± --- 3 PLACES ± --- ± --- 2 PLACES ± 0.13 ± --- 1 PLACE ± 0.25 ± --- ANGULAR ± 1/2°	DIMENSION STYLE MM ONLY DRAWN BY DATE FJAKLIC 2011/01/28 CHECKED BY DATE	SCALE 2:1 TITLE CITIZEN L-340 LED HOLDER	DESIGN UNITS METRIC THIRD ANGLE PROJECTION
	DRAFT WHERE APPLICABLE MUST REMAIN WITHIN DIMENSIONS		APPROVED BY DATE DMCGOWAN 2011/02/18 MATERIAL NO.	MOLEX INCORPORATED DOCUMENT NO. SD-180190-001	SHEET NO. 2 OF 3
	SIZE B		THIS DRAWING CONTAINS INFORMATION THAT IS PROPRIETARY TO MOLEX INCORPORATED AND SHOULD NOT BE USED WITHOUT WRITTEN PERMISSION		
	THIS DRAWING CONTAINS INFORMATION THAT IS PROPRIETARY TO MOLEX INCORPORATED AND SHOULD NOT BE USED WITHOUT WRITTEN PERMISSION				

9 8 7 6 5 4 3 2 1

10 9 8 7 6 5 4 3 2 1

F

E

D

C

B

A

F

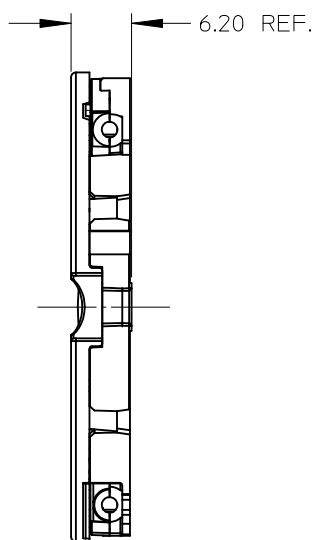
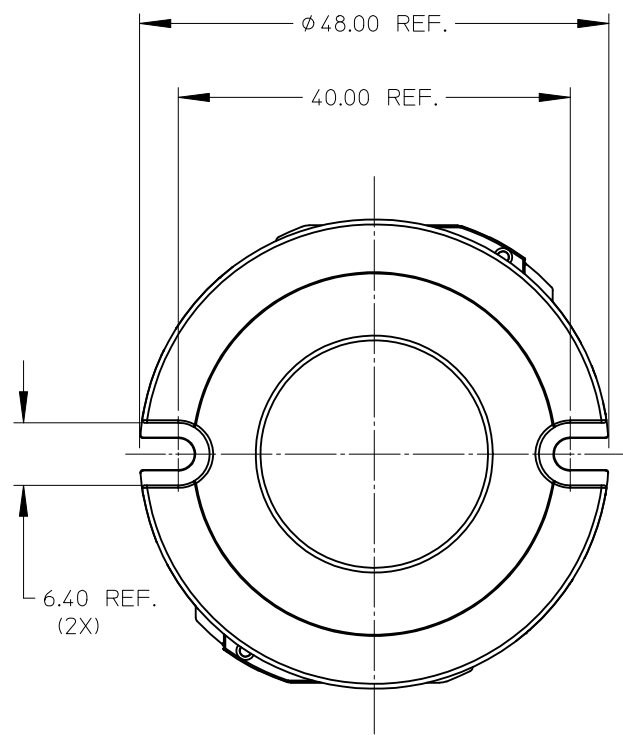
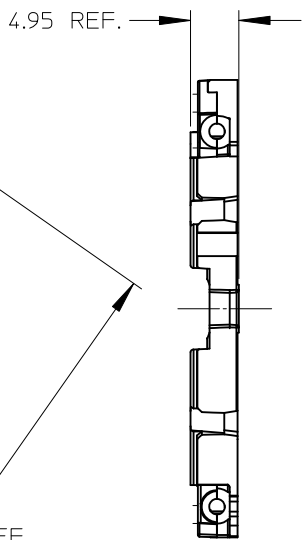
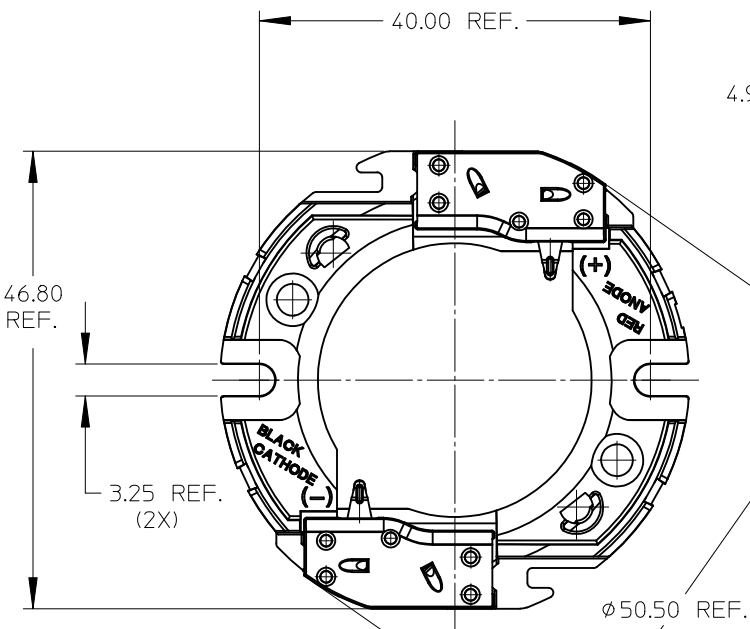
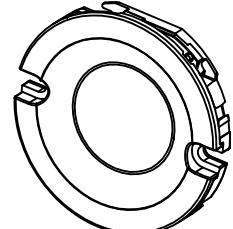
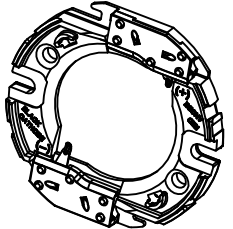
E

D

C

B

A



LED HOLDER PART NUMBER 180190-0000

LED HOLDER SHOWN WITH OPTIONAL CLEAR COVER LENS
MOLEX INDIVIDUAL COVER LENS PART NUMBER IS 180192-0000

ENTER DESCRIPTION EC NO: SSL2012-0008 DRAWN: JAKLIC 2011/08/02 CHKD: APPR: DMCGOWAN 2011/08/05 REV	QUALITY SYMBOLS ▽/0 ▽/0 ▽/0	GENERAL TOLERANCES (UNLESS SPECIFIED) mm INCH 4 PLACES ± --- ± --- 3 PLACES ± --- ± --- 2 PLACES ± 0.13 ± --- 1 PLACE ± 0.25 ± --- ANGULAR ± 1/2°	DIMENSION STYLE MM ONLY DRAWN BY DATE FJAKLIC 2011/01/28 CHECKED BY DATE	SCALE 2:1 TITLE CITIZEN L-340 LED HOLDER	DESIGN UNITS METRIC THIRD ANGLE PROJECTION
	APPROVED BY DATE DMCGOWAN 2011/02/18	MOLEX INCORPORATED	MATERIAL NO.	DOCUMENT NO. SD-180190-001	SHEET NO. 3 OF 3
	DRAFT WHERE APPLICABLE MUST REMAIN WITHIN DIMENSIONS	SEE CHART	THIS DRAWING CONTAINS INFORMATION THAT IS PROPRIETARY TO MOLEX INCORPORATED AND SHOULD NOT BE USED WITHOUT WRITTEN PERMISSION		

9 8 7 6 5 4 3 2 1

Данный компонент на территории Российской Федерации

Вы можете приобрести в компании MosChip.

Для оперативного оформления запроса Вам необходимо перейти по данной ссылке:

<http://moschip.ru/get-element>

Вы можете разместить у нас заказ для любого Вашего проекта, будь то серийное производство или разработка единичного прибора.

В нашем ассортименте представлены ведущие мировые производители активных и пассивных электронных компонентов.

Нашей специализацией является поставка электронной компонентной базы двойного назначения, продукции таких производителей как XILINX, Intel (ex.ALTERA), Vicor, Microchip, Texas Instruments, Analog Devices, Mini-Circuits, Amphenol, Glenair.

Сотрудничество с глобальными дистрибьюторами электронных компонентов, предоставляет возможность заказывать и получать с международных складов практически любой перечень компонентов в оптимальные для Вас сроки.

На всех этапах разработки и производства наши партнеры могут получить квалифицированную поддержку опытных инженеров.

Система менеджмента качества компании отвечает требованиям в соответствии с ГОСТ Р ИСО 9001, ГОСТ РВ 0015-002 и ЭС РД 009

Офис по работе с юридическими лицами:

105318, г.Москва, ул.Щербаковская д.3, офис 1107, 1118, ДЦ «Щербаковский»

Телефон: +7 495 668-12-70 (многоканальный)

Факс: +7 495 668-12-70 (доб.304)

E-mail: info@moschip.ru

Skype отдела продаж:

moschip.ru

moschip.ru_4

moschip.ru_6

moschip.ru_9