

# Surge Protection Made Simple™ for IEC Applications

## IEC Class II Surge Arresters for 230 Volt, 2-Pole TN & TT Systems



### Description

The Cooper Bussmann® IEC Class II 230 volt, two-pole, modular surge arresters feature local, *easyID*™ visual indication and optional remote contact signaling. The unique module locking system fixes the protection module to the base part. Modules can be easily replaced without tools by simply depressing the release buttons. Integrated mechanical coding between the base and protection module ensures against installing an incorrect replacement module.

230 Volt models are offered with MCOV ratings of 255 and 275 volts.

### TN System Arresters

The features of these single-pole devices are for use in single-phase 230 volt TN systems ("2-0" circuit).

### TT System Arrester

The features of these single-pole devices are for use in single-phase 230 volt TT and TNS systems ("1-1" circuit).

### Remote Signaling Contact

The three-pole terminal remote signaling contact versions have a floating changeover contact for use as a break or make contact, according to circuit concept.



**BSPM2275TN(R)**  
**BSPH2275TT(R)**



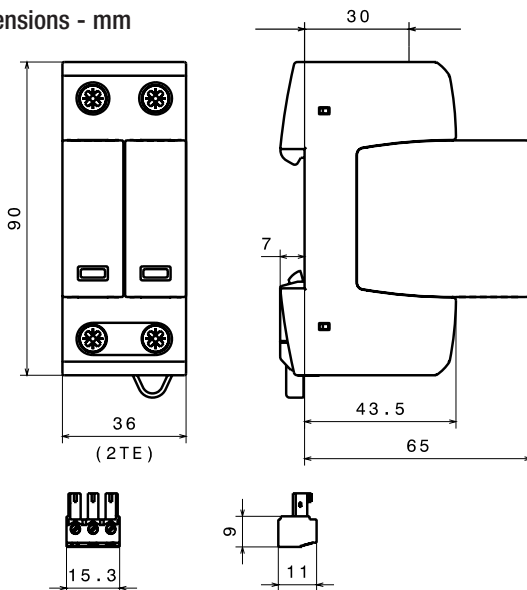
*easyID*™  
Visual Status Indication



Remote Signal  
Contact Available



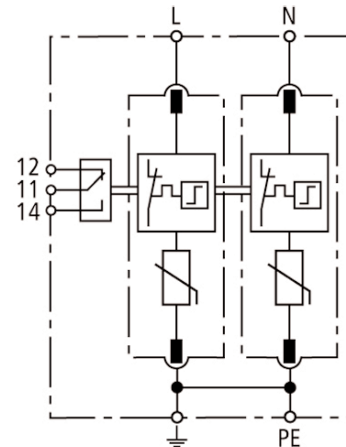
### Dimensions - mm



Shown with optional remote contact signaling

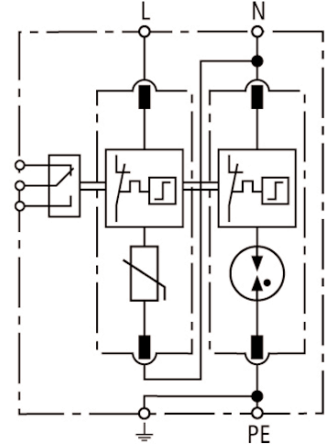
### Circuit Diagrams

- MOV
- Thermal Disconnector
- Gas Discharge Tube (single)



**BSPM2275TN(R)**

Shown with optional remote  
contact signaling



**BSPH2275TT(R)**

Shown with optional remote  
contact signaling

Ordering Information			
System Voltage/Poles	230V/2	230V/2	
Max. continuous operating AC voltage (MCOV) [U <sub>C</sub> ]	275V	--	
Max. Continuous operating AC voltage (MCOV) [L-N] [U <sub>C</sub> ]	--	275V	
Max. Continuous operating AC voltage (MCOV) [N-PE] [U <sub>C</sub> ]	--	255V	
Catalog Numbers:	Without Remote Signaling	BSPM2275TN	BSPH2275TT
	With Remote Signaling	BSPM2275TNR	BSPH2275TTR
Replacement Modules:	MOV Technology	BPM275IEC	BPM275IEC
	Spark Gap technology	--	BPSNPEIEC*
Specifications			
Lightning impulse current (10/350 μs) [N-PE] [I <sub>imp</sub> ]	--	12kA	
Voltage protection level [U <sub>p</sub> ]	≤ 1.25kV	--	
Voltage protection level at 5kA [U <sub>p</sub> ]	≤ 1kV	--	
Voltage protection level [L-N] [U <sub>p</sub> ]	--	≤ 1.25kV	
Voltage protection level [L-N] at 5kA [U <sub>p</sub> ]	--	≤ 1kV	
Voltage protection level [N-PE] [U <sub>p</sub> ]	--	≤ 1.5kV	
Follow current extinguishing capability [N-PE] [I <sub>ff</sub> ]	--	100A rms	
Response time [t <sub>A</sub> ]	≤ 25 ns	--	
Response time [L-N] [t <sub>A</sub> ]	--	≤ 25 ns	
Response time [N-PE] [t <sub>A</sub> ]	--	≤ 100 ns	
Temporary overvoltage (TOV) [U <sub>T</sub> ]	335V/5 sec.	--	
Temporary overvoltage (TOV) [L-N] [U <sub>T</sub> ]	--	335V/5 sec.	
Temporary overvoltage (TOV) [N-PE] [U <sub>T</sub> ]	--	1200V/200 ms	
SPD according to EN 61643-11		Type 2	
SPD according to IEC 61643-1		Class II	
Nominal discharge current (8/20 μs) [I <sub>n</sub> ]		20kA	
Max. discharge current (8/20 μs) [I <sub>max</sub> ]		40kA	
Max. mains-side overcurrent protection		125A gL/gG	
Short-circuit withstand capability for max. mains-side overcurrent protection		50kA rms	
Nominal AC voltage [U <sub>N</sub> ]		230V	
TOV characteristics		withstand	
Operating temperature range [T <sub>U</sub> ]		-40°C to +80°C	
Operating state/fault indication		green (good)/red (replace)	
Number of ports		1	
Cross-sectional area (min.)		1.5mm <sup>2</sup> /14AWG solid/flexible	
Cross-sectional area (max.)		35mm <sup>2</sup> /2AWG stranded-25mm <sup>2</sup> /4AWG flexible	
Mounting		35mm DIN rail per EN 60715	
Enclosure material		Thermoplastic, UL 94V0	
Location category		Indoor	
Degree of protection		IP20	
Capacity		2 mods., DIN 43880	
Standards Information		KEMA	
Product Warranty		Five Years**	
Remote Contact Signaling			
Remote Contact Signaling Type		Changeover Contact	
AC Switching Capacity (Volts/Amps)		250V/0.1A	
DC Switching Capacity (Volts/Amps)		250V/0.1A; 125V/0.2A; 75V/0.5A	
Conductor Ratings and Cross-Sectional Area for Remote Contact Signal Terminals		60/75°C Max. 1.5mm <sup>2</sup> /14AWG Solid/Flexible	
Ordering Information		Order from Catalog Numbers Above	

\* N-PE Surge arrester for location between neutral conductor and protective conductor in TT systems.

\*\* See Cooper Bussmann SPD Limited Warranty Statement (3A1502) for details at [www.cooperbussmann.com/surge](http://www.cooperbussmann.com/surge).

Recommended Cooper Bussmann Back Up Fuses	
DIN Fuse Size	NH Fuse Part Number
00	125NHG00B
0	125NHG0B
01	125NHG01B
02	125NHG02B

The only controlled copy of this Data Sheet is the electronic read-only version located on the Cooper Bussmann Network Drive. All other copies of this document are by definition uncontrolled. This bulletin is intended to clearly present comprehensive product data and provide technical information that will help the end user with design applications. Cooper Bussmann reserves the right, without notice, to change design or construction of any products and to discontinue or limit distribution of any products. Cooper Bussmann also reserves the right to change or update, without notice, any technical information contained in this bulletin. Once a product has been selected, it should be tested by the user in all possible applications.

## Данный компонент на территории Российской Федерации

### Вы можете приобрести в компании MosChip.

Для оперативного оформления запроса Вам необходимо перейти по данной ссылке:

<http://moschip.ru/get-element>

Вы можете разместить у нас заказ для любого Вашего проекта, будь то серийное производство или разработка единичного прибора.

В нашем ассортименте представлены ведущие мировые производители активных и пассивных электронных компонентов.

Нашей специализацией является поставка электронной компонентной базы двойного назначения, продукции таких производителей как XILINX, Intel (ex.ALTERA), Vicor, Microchip, Texas Instruments, Analog Devices, Mini-Circuits, Amphenol, Glenair.

Сотрудничество с глобальными дистрибьюторами электронных компонентов, предоставляет возможность заказывать и получать с международных складов практически любой перечень компонентов в оптимальные для Вас сроки.

На всех этапах разработки и производства наши партнеры могут получить квалифицированную поддержку опытных инженеров.

Система менеджмента качества компании отвечает требованиям в соответствии с ГОСТ Р ИСО 9001, ГОСТ РВ 0015-002 и ЭС РД 009

### Офис по работе с юридическими лицами:

105318, г.Москва, ул.Щербаковская д.3, офис 1107, 1118, ДЦ «Щербаковский»

Телефон: +7 495 668-12-70 (многоканальный)

Факс: +7 495 668-12-70 (доб.304)

E-mail: [info@moschip.ru](mailto:info@moschip.ru)

Skype отдела продаж:

moschip.ru

moschip.ru\_4

moschip.ru\_6

moschip.ru\_9