



ORION FANS

PRODUCT CATALOG

AC Fans | DC Fans | Fan Trays
Accessories | Blowers



We'll make you a fan.

orionfans.com



TABLE OF CONTENTS

| | |
|---------------------------------|-----|
| Part Number Configurator Tables | 2 |
| AC Fans | 6 |
| Harsh Environment Fans | 31 |
| Louvered Filter Fan Kits | 52 |
| AC Smart Fans | 59 |
| Spot Cooling Fans | 60 |
| DC Fans | 61 |
| Special Function Information | 109 |
| Fan Trays - AC | 110 |
| Fan Trays - Smart Fan Tray | 113 |
| Fan Trays - Thermalcare AC/DC | 114 |
| AC Impellers and Blowers | 116 |
| DC Blowers | 125 |
| Airflow Monitor | 131 |
| Fan Guards | 132 |
| Fan Filter Assemblies | 142 |
| Louvered Fan Guards | 144 |
| Fan Cords | 148 |
| AC Power Cords | 149 |
| Cross Reference | 155 |
| OEM Price List | 160 |

Note 1: The drawings and photos featured in this catalog may not reflect the newest frames and designs that are currently available. Design changes and improvements may be made without prior notification.

Note 2: Data tolerance is +/-10%.

Note 3: ORION FANS meet UL/cUL, TUV, VDE and CE Standards. Most ORION FANS are UL/cUL approved and most carry European approvals as well. Models not currently registered with European approval agencies will be submitted (at our discretion) upon customer request.

Note 4: Additional AC and DC voltages not covered in this catalog are available by special order. Ultra High and Ultra Low speeds are also available by special order. (Minimums may apply.)

Note 5: We make additions to our product line frequently. If you cannot find what you are looking for please give us a call at 800-323-2439 or 214-340-0265 or visit our website at www.orionfans.com.

Note 6: Product is warranted against defects in workmanship and materials for 1 year from date of purchase.

FAN FACTS...

LIFE EXPECTANCY

Dual Ball bearing fans will run continuously and reliably for up to 60,000+ hours based on L10 calculations. L10 life for sleeve bearing fans is up to 30,000 hours and sealed sleeve over 50,000 hours. Life will vary depending on the fan size and operating conditions and temperature.

FRAMES

AC Fans - Diecast aluminum
DC Fans - UL94V-0 glass fiber reinforced plastic is standard for frame sizes 120mm and smaller. Aluminum frames are standard for 127mm and larger. 120mm frames are available in both plastic and aluminum.

IMPELLERS

Glass reinforced thermoplastic - UL94V-0. Optional metal impellers are available for a number of models.

ISO 9001:2008 Certified 951001232-A
UL E170149



Orion Fans Part Number Configurator Tables - AC Fans



OA 109 AP - 22 - 1 T B - 18

Special Function:
R = Reverse Airflow **03** = Temperature Control **XC** = High Performance
18 = Metal Impeller **55 or IP55** = IP55 Rated **56** = IP56 Rated
SF = Salt Fog Rated

Bearing Type: **B** = Ball bearing **S** = Sleeve Bearing

Termination: **T** = Quick connect terminals **W** = 12" wire leads

Speed Version: **1** = High Speed **2** = Medium Speed **3** = Low Speed

Voltage: **11** = 115VAC **12, 115** = 120VAC **22, 23, 230** = 230VAC
11/22 or 1/2 = Dual Voltage (115VAC or 230VAC depending on wire connections)

Frame Type: **AP** = Aluminum painted **APL** = Aluminum painted, low profile
AN = Aluminum natural finish **ANL** = Aluminum natural finish, low profile
SAP = Stackable aluminum painted **SAPL** = Stackable aluminum painted, low profile

| Model: (case size in mm) | 80 = 80 x 80 x 38 | 125 = 120 x 120 x 25 | 119 = 127 x 127 x 38 | 162-5E = 172 x 172 x 55 | 172 (SAP/XC) = 172 x 150 x 55 | 200 = 200 x 220 x 70 | 225 = 225 x 225 x 80 | 2547 = 254 x 89 (7 blade) |
|---|---|---|---|---------------------------------------|---------------------------------------|---------------------------------------|----------------------------------|---------------------------|
| 60 = 60 x 60 x 30 | 825 = 80 x 80 x 25 | 938 = 92 x 92 x 38 | 4715 = 120 x 120 x 38 (low cost) | 162 = 172 x 172 x 55 (metal) | 172 = 172 x 172 x 51 | 180 (ANL/APL) = 180 x 180 x 65 | 205 = 205 x 72 | |
| 92 = 92 x 92 x 25 | 938 = 92 x 92 x 38 | 4715 = 120 x 120 x 38 (low cost) | 162 = 172 x 172 x 55 (metal) | 172 = 172 x 172 x 51 | 180 (ANL/APL) = 180 x 180 x 65 | 205 = 205 x 72 | 2543 = 254 x 89 (3 blade) | |
| 109 = 120 x 120 x 38 | 4715 = 120 x 120 x 38 (low cost) | 162 = 172 x 172 x 55 (metal) | 172 = 172 x 172 x 51 | 180 (ANL/APL) = 180 x 180 x 65 | 205 = 205 x 72 | 2543 = 254 x 89 (3 blade) | | |
| 5920 or 172 (SAP) = 172 x 150 x 51 | 162 = 172 x 172 x 55 (metal) | 172 = 172 x 172 x 51 | 180 (ANL/APL) = 180 x 180 x 65 | 205 = 205 x 72 | 2543 = 254 x 89 (3 blade) | | | |
| 172 (SAPL) = 172 x 150 x 38 | 172 = 172 x 172 x 51 | 180 (ANL/APL) = 180 x 180 x 65 | 205 = 205 x 72 | 2543 = 254 x 89 (3 blade) | | | | |
| 180 = 176 x 176 x 89 | 180 (ANL/APL) = 180 x 180 x 65 | 205 = 205 x 72 | 2543 = 254 x 89 (3 blade) | | | | | |
| 200EC = 250 x 76 | 205 = 205 x 72 | 2543 = 254 x 89 (3 blade) | | | | | | |
| 254 = 254 x 89 | 2543 = 254 x 89 (3 blade) | | | | | | | |
| 280 = 280 x 280 x 80 | | | | | | | | |

Base Model
OA = AC fan

Special function codes may not appear on the fan label unless specified by the customer

Orion Fans Part Number Configurator Tables - DC Fans



OD 12 38 AP-12 H T B - 01

Special Function:

- 01= Tachometer Output 5VTTL*
- 02= Alarm Output 5VTTL*
- 03= Thermistor Speed Control (hub)
- 04= Thermistor Speed Control (wire)
- 05= PWM Input
- 06= Dual Speed
- 07= Temperature Sensor
- 08= Tachometer*+Alarm*
- 09= Tachometer*+Thermistor
- 10= Tachometer*+PWM
- 11= Tachometer*+Temperature Sensor
- 12= Alarm*+Thermistor
- 13= Alarm*+PWM
- 14= Alarm*+Temperature Sensor
- 15= Tachometer*+Alarm*+PWM
- 16= Tachometer*+Alarm*+Thermistor
- 17= Extra Long Lead Wires
- 18= Metal Impeller
- 19= High Temperature
- 20= Conformal Coating
- 21= Customized
- 55 or IP55=IP55 Rated
- SF=Salt Fog Rated

* To specify "open collector" instead of 5VTTL, add the letter "a" after the special functions code

High Static Pressure: XC=High Performance VXC=Vane Axial XC,XE,XJ=Super High Performance

Bearing Type: B = Ball bearing S = Sleeve Bearing SS = Sealed Sleeve Bearing

Termination: T = Quick connect terminals {blank} = 12" wire leads

Speed Version: HH=Extra High Speed H=High Speed M=Medium Speed
L=Low Speed LL=Extra Low Speed

Voltage: 05 = 5VDC 12 = 12VDC 24 = 24VDC 48 = 48VDC 60 = 60VDC Other voltages available

Frame Type: {blank} = Thermoplastic Construction

SAPL = Stackable Diecast Aluminum Black, Low Profile

SAP = Stackable Diecast Aluminum Black

SPOT / DIN = Spot Cooling w/ AC Adapter & DIN mounting package

AP = Diecast Aluminum Black

APL = Diecast Aluminum Black, Low Profile

SPOT = Spot Cooling w/ AC Adapter

Thickness: 06 = 6mm 10 = 10mm 15 = 15mm 20 = 20mm 25 = 25mm 28 = 28mm
32 = 32mm 35 = 35mm 38 = 38mm 45 = 45mm 56 = 56mm

Frame Size (in mm): 25 = 25 x 25 30 = 30 x 30 40 = 40 x 40 50 = 50 x 50 60 = 60 x 60
70 = 70 x 70 80 = 80 x 80 92 = 92 x 92 12 = 120 x 120 127 = 127 x 38 172(SAPL) = 172 x 38
172 = 172 x 150 180 = 180 x 65 254 = 254 x 89 280 = 280 x 89

Thickness dimensions are not included in part numbers for these frame sizes: 127, 172, 180, 254, 280

Base Model: OD = DC fan

Additional suffixes consisting of both numbers and letters may be applied for multiple fan modifications

Special function codes may not appear on the fan label unless specified by the customer

Orion Fans Part Number Configurator Tables - AC Blowers & Motorized Impellers



OAB 800 AN - 22 - 3 B

Bearing Type: **B** or **Blank** = Dual Ball Bearing Sealed

Speed Options:
1 = High Speed
2 = Medium Speed
3 = Low Speed
1/2 = Dual Speed

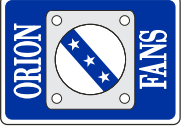
Voltage: **11** = 115 or 120VAC
22 = 220 or 230VAC

Frame Type: **AN** = Aluminum natural finish
Blank = Diecast Aluminum

Model:
(size in mm)
800 = 125 x 126 x 39
908 = 183 x 190 x 70
190 = 190 x 70
220 = 220 x 71
22599 = 225 x 99
400 = 404 x 162

Base Model: **OAB** = AC Blower
OAB = AC Motorized Impeller
Other models and frame sizes available
All AC motorized impellers ship with required capacitor

Orion Fans Part Number Configurator Tables - DC Blowers



ODB 1232 - 24 HH B

Bearing Type: B = Dual Ball Bearing Sealed

Speed Options:
 HH = Extra High Speed
 H = High Speed
 M = Medium Speed
 L = Low Speed

Voltage:
 5 = 5VDC
 12 = 12VDC
 24 = 24VDC
 48 = 48VDC

Frame Type: PT or Blank = Thermoplastic AN = Aluminum natural finish

Model:
 (size in mm)
 182 = 182 x 171 x 82
 600 = 120 x 31
 1232 = 120 x 32
 5009 = 50 x 50 x 09
 5115 = 51 x 15
 6015 = 60 x 15
 7530 = 75 x 30
 9733 = 96 x 33

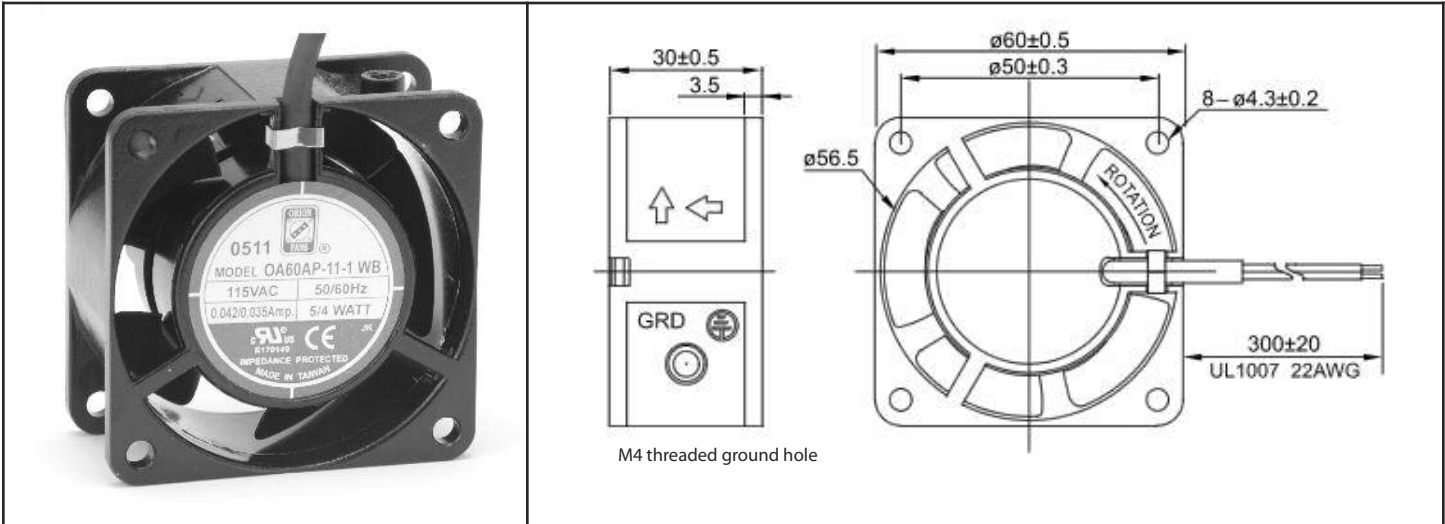
Base Model: ODB = DC Blower

Other models and frame sizes available

OA60 Series



AC Fan - 115V, 230V
60 x 30mm (2.36" x 1.18")



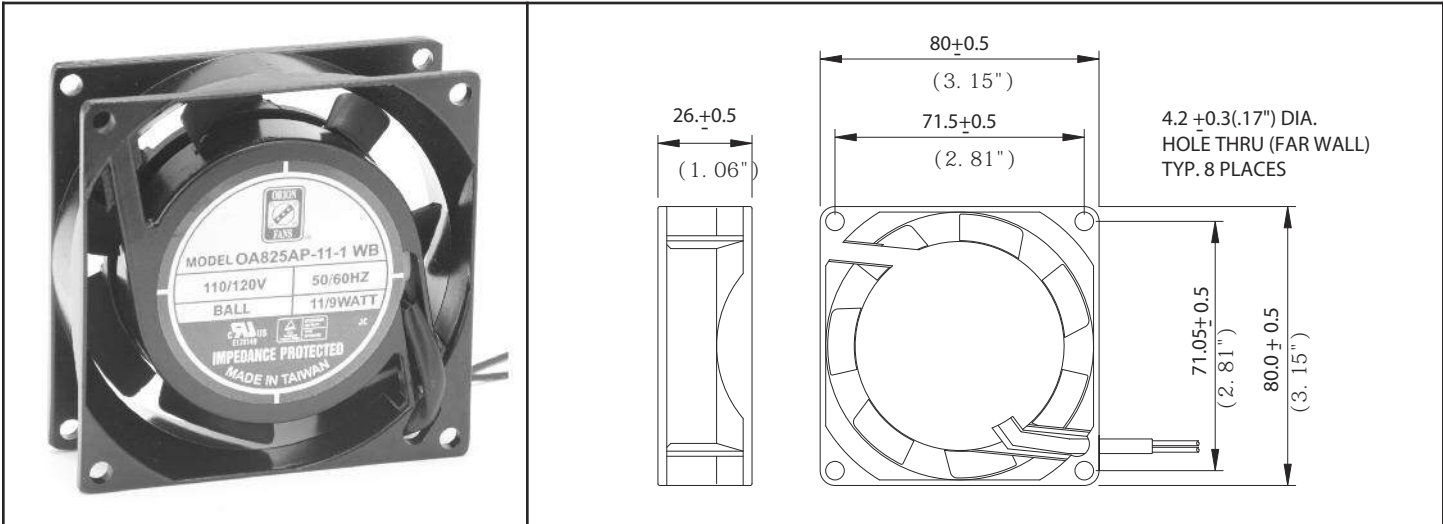
| | | | |
|-----------------------|--|--|--|
| Frame | Diecast Aluminum | <u>Operating Temperature</u> Ball Bearing -20C ~ +80C <u>Storage Temp</u> -40C ~ +80C <u>Life Expectancy</u> Ball Bearing 60,000 hours (L10 at 40C) Weight: ~ 0.31 lbs | |
| Impeller | PBT, UL94V-0 plastic | | |
| Connection | 2x Lead Wires 22 AWG | | |
| Motor | Shaded pole, impedance protected | | |
| Bearing System | Dual ball | | |
| Insulation Resistance | >100M ohm between lead-wire and frame (500VDC) | | |
| Dielectric Strength | 1 min at 1,500 VAC, 50/60Hz | | |

| Part Number | OA60AP-11-1WB | OA60AP-22-1WB |
|----------------------|------------------------|------------------------|
| Nominal Voltage | 115VAC | 230VAC |
| Voltage Range | 80 ~ 130VAC | 160 ~ 260VAC |
| Rated Power | 4 W | 4 W |
| Rated Speed (RPM) | 3,100 | 3,100 |
| Airflow (CFM) | 11 | 11 |
| Noise Level (dB) | 28 | 28 |
| Max. Static Pressure | 0.11" H ₂ O | 0.11" H ₂ O |

OA825 Series



AC Fan - 115V, 230V
80 x 25mm (3.15" x 1.0")



| | | | |
|-----------------------|--|--|--|
| Frame | Diecast Aluminum | <u>Operating Temperature</u> Ball Bearing -20C ~ +80C Sleeve Bearing -10C ~ +50C Storage Temp -40C ~ +80C <u>Life Expectancy</u> Ball Bearing 60,000 hours (L10 at 40C) Sleeve Bearing 30,000 hours (L10 at 40C) Weight: ~ 0.57 lbs. m0 | |
| Impeller | PBT, UL94V-0 plastic | | |
| Connection | 2x Lead Wires 22 AWG or terminals | | |
| Motor | Shaded pole, impedance protected | | |
| Bearing System | Dual ball or Sleeve | | |
| Insulation Resistance | >100M ohm between lead-wire and frame (500VDC) | | |
| Dielectric Strength | 1 min at 1,500 VAC, 50/60Hz | | |

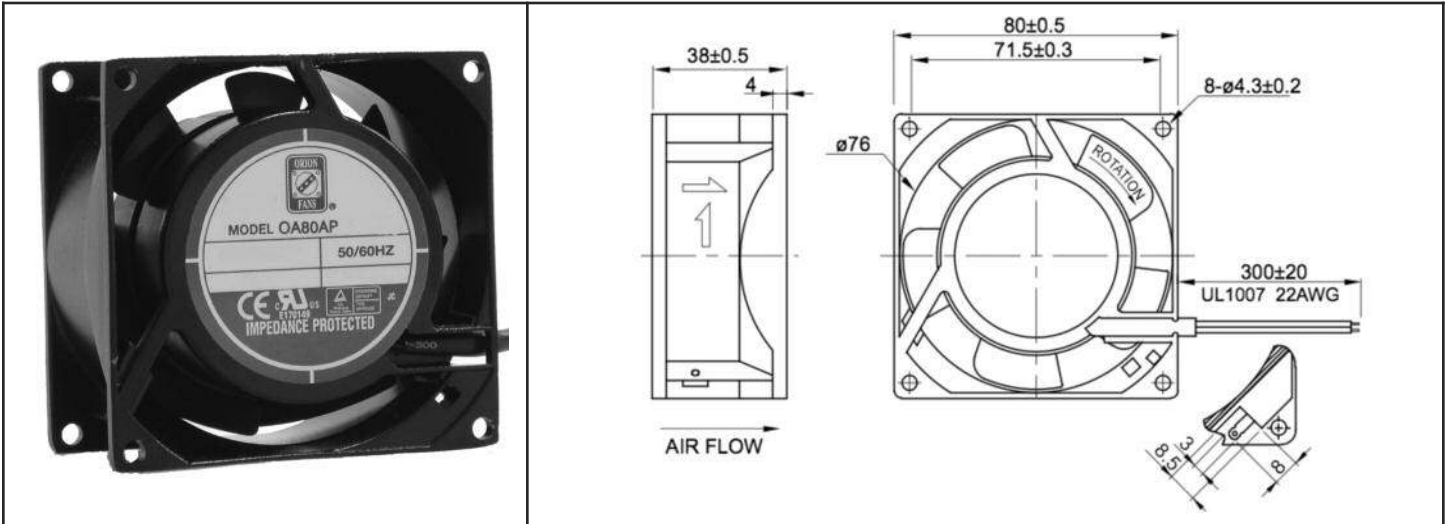
| Model Number | Speed (RPM) | Airflow (CFM) | Noise (dB) | Volts AC | Voltage Range | Watts | Max. Static Pressure (\"H ₂ O) |
|----------------|-------------|---------------|------------|----------|---------------|-------|---|
| OA825AP-11-1 * | 3,000 | 25 | 28 | 115 | 80~130 | 9 | .21 |
| OA825AP-11-2 * | 2,300 | 18 | 24 | 115 | 80~130 | 6 | .14 |
| OA825AP-11-3 * | 1,900 | 16 | 19 | 115 | 80~130 | 4 | .11 |
| OA825AP-22-1 * | 3,000 | 25 | 28 | 230 | 160~260 | 9 | .21 |
| OA825AP-22-2 * | 2,300 | 18 | 24 | 230 | 160~260 | 6 | .14 |
| OA825AP-22-3 * | 1,900 | 16 | 19 | 230 | 160~260 | 4 | .11 |

* Indicate "TB" (Terminal Ball Bearing), "WB" (12" Wire Leads, Ball Bearing), "TS" (Terminal, Sleeve Bearing), "WS" (12" Wire Leads, Sleeve Bearing)

OA80 Series



AC Fan - 115V, 230V
80 x 38mm (3.15" x 1.5")



| | | | |
|-----------------------|--|--|--|
| Frame | Diecast Aluminum | <p><u>Operating Temperature</u> Ball Bearing -20C ~ +80C Sleeve Bearing -10C ~ +50C Storage Temp -40C ~ +80C</p> <p><u>Life Expectancy</u> Ball Bearing 60,000 hours (L10 at 40C) Sleeve Bearing 30,000 hours (L10 at 40C)</p> <p>Weight: ~ 0.62 lbs</p> | |
| Impeller | PBT, UL94V-0 plastic | | |
| Connection | 2x Lead Wires 22 AWG or terminals | | |
| Motor | Shaded pole, impedance protected | | |
| Bearing System | Dual ball or Sleeve | | |
| Insulation Resistance | >100M ohm between lead-wire and frame (500VDC) | | |
| Dielectric Strength | 1 min at 1,500 VAC, 50/60Hz | | |

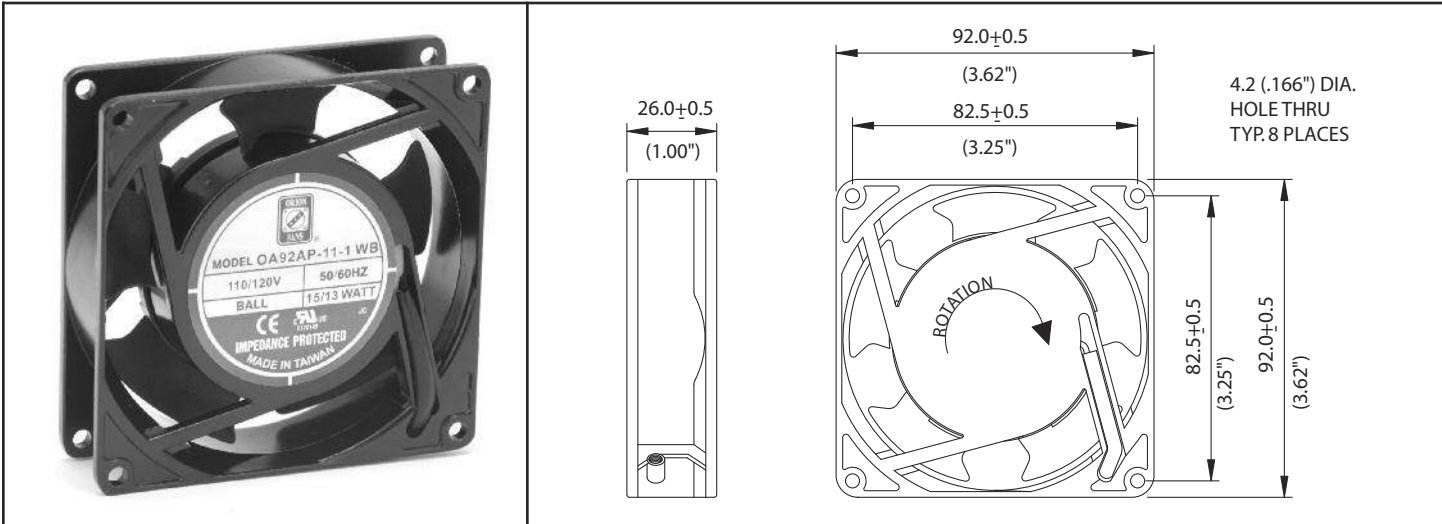
| Model Number | Speed (RPM) | Airflow (CFM) | Noise (dB) | Volts AC | Voltage Range | Watts | Max. Static Pressure (\"H ₂ O) |
|---------------|-------------|---------------|------------|----------|---------------|-------|---|
| OA80AP-11-1 * | 3,000 | 30 | 36 | 115 | 103~126 | 9 | 0.22 |
| OA80AP-11-2 * | 2,300 | 25 | 32 | 115 | 103~126 | 9 | 0.16 |
| OA80AP-11-3 * | 1,950 | 17 | 28 | 115 | 103~126 | 9 | 0.07 |
| OA80AP-22-1 * | 3,000 | 30 | 36 | 230 | 160~253 | 12 | 0.22 |
| OA80AP-22-2 * | 2,300 | 25 | 32 | 230 | 160~253 | 12 | 0.16 |
| OA80AP-22-3 * | 1,950 | 17 | 28 | 230 | 160~253 | 12 | 0.07 |

* Indicate "TB" (Terminal Ball Bearing), "WB" (12" Wire Leads, Ball Bearing), "TS" (Terminal, Sleeve Bearing), "WS" (12" Wire Leads, Sleeve Bearing)

OA92 Series



AC Fan - 115V, 230V
92 x 25mm (3.62" x 1.0")



| | | | |
|-----------------------|--|--|--|
| Frame | Diecast Aluminum | <u>Operating Temperature</u> Ball Bearing -20C ~ +80C Sleeve Bearing -10C ~ +50C Storage Temp -40C ~ +80C <u>Life Expectancy</u> Ball Bearing 60,000 hours (L10 at 40C) Sleeve Bearing 30,000 hours (L10 at 40C) Weight: ~ 0.64 lbs. m0 | |
| Impeller | PBT, UL94V-0 plastic | | |
| Connection | 2x Lead Wires 22 AWG (~300mm) or terminals | | |
| Motor | Shaded pole, impedance protected | | |
| Bearing System | Dual ball or Sleeve | | |
| Insulation Resistance | >100M ohm between lead-wire and frame (500VDC) | | |
| Dielectric Strength | 1 min at 1,500 VAC, 50/60Hz | | |

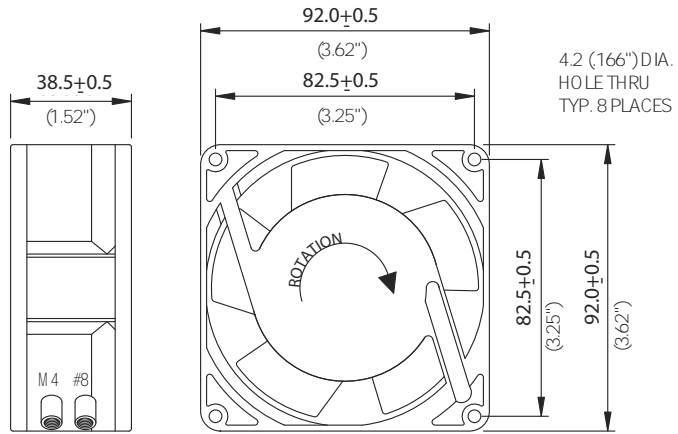
| Model Number | Speed (RPM) | Airflow (CFM) | Noise (dB) | Volts AC | Voltage Range | Watts | Max. Static Pressure ("H ₂ O) |
|---------------|-------------|---------------|------------|----------|---------------|-------|--|
| OA92AP-11-1 * | 3,000 | 35 | 30 | 115 | 80~130 | 13 | .20 |
| OA92AP-11-2 * | 2,300 | 27 | 22 | 115 | 80~130 | 10 | .14 |
| OA92AP-11-3 * | 1,900 | 22 | 19 | 115 | 80~130 | 6 | .09 |
| OA92AP-22-1 * | 3,000 | 35 | 30 | 230 | 160~260 | 13 | .20 |
| OA92AP-22-2 * | 2,300 | 27 | 22 | 230 | 160~260 | 10 | .14 |
| OA92AP-22-3 * | 1,900 | 22 | 19 | 230 | 160~260 | 6 | .09 |

* Indicate "TB" (Terminal Ball Bearing), "WB" (12" Wire Leads, Ball Bearing), "TS" (Terminal, Sleeve Bearing), "WS" (12" Wire Leads, Sleeve Bearing)

OA938 Series



AC Fan - 115V, 230V
92 x 38mm(3.62" x 1.5")



| | | | |
|-----------------------|--|--|--|
| Frame | Diecast Aluminum | <u>Operating Temperature</u> Ball Bearing -20C ~ +80C Sleeve Bearing -10C ~ +50C Storage Temp -40C ~ +80C <u>Life Expectancy</u> Ball Bearing 60,000 hours (L10 at 40C) Sleeve Bearing 30,000 hours (L10 at 40C) Weight: ~ 0.98 lbs. m0 | |
| Impeller | PBT, UL94V-0 plastic | | |
| Connection | 2x Lead Wires 22 AWG or terminals | | |
| Motor | Shaded pole, impedance protected | | |
| Bearing System | Dual ball or Sleeve | | |
| Insulation Resistance | >100M ohm between lead-wire and frame (500VDC) | | |
| Dielectric Strength | 1 min at 1,500 VAC, 50/60Hz | | |

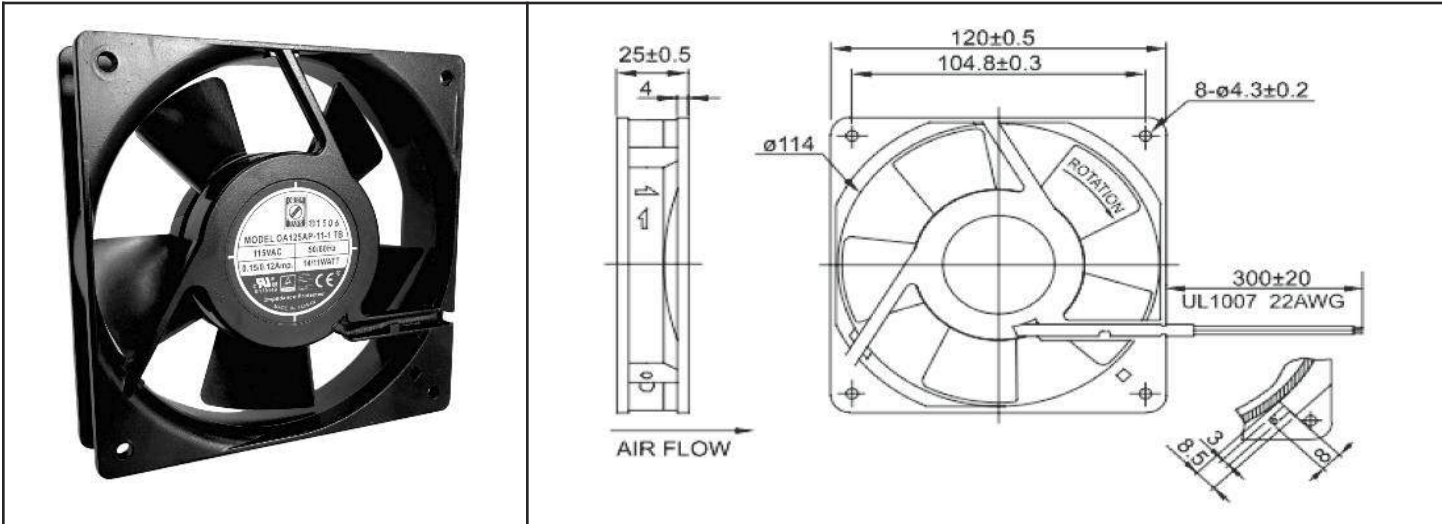
| Model Number | Speed (RPM) | Airflow (CFM) | Noise (dB) | Volts AC | Voltage Range | Watts | Max. Static Pressure (\"H ₂ O) |
|----------------|-------------|---------------|------------|----------|---------------|-------|---|
| OA938AP-11-1 * | 3,100 | 50 | 32 | 115 | 80~130 | 9 | .22 |
| OA938AP-11-2 * | 2,400 | 39 | 23 | 115 | 80~130 | 5 | .17 |
| OA938AP-11-3 * | 1,800 | 26 | 19 | 115 | 80~130 | 3 | .10 |
| OA938AP-22-1 * | 3,100 | 50 | 32 | 230 | 160~260 | 9 | .22 |
| OA938AP-22-2 * | 2,400 | 39 | 23 | 230 | 160~260 | 5 | .17 |
| OA938AP-22-3 * | 1,800 | 26 | 19 | 230 | 160~260 | 3 | .10 |

* Indicate "TB" (Terminal Ball Bearing), "WB" (12" Wire Leads, Ball Bearing), "TS" (Terminal, Sleeve Bearing), "WS" (12" Wire Leads, Sleeve Bearing)

OA125 Series



AC Fan - 115V, 230V
120 x 25mm (4.7" x 1.0")



| | | | |
|------------------------------|--|--|---|
| Frame | Diecast Aluminum | Operating Temperature Ball Bearing -20C ~ +80C Sleeve Bearing -10C ~ +50C Storage Temp -40C ~ +80C Life Expectancy Ball Bearing 60,000 hours (L10 at 40C) Sleeve Bearing 30,000 hours (L10 at 40C) Weight: ~ 0.73 lbs. m2 | <p>The graph plots Static Pressure ("H2O) on the y-axis (0.00 to 0.25) against Airflow (CFM) on the x-axis (0 to 80). Three curves are shown, labeled 1, 2, and 3. Curve 1 (top) starts at ~0.21 at 0 CFM and drops to ~0.05 at 80 CFM. Curve 2 (middle) starts at ~0.16 at 0 CFM and drops to ~0.02 at 80 CFM. Curve 3 (bottom) starts at ~0.11 at 0 CFM and drops to ~0.01 at 80 CFM.</p> |
| Impeller | PBT, UL94V-0 plastic | | |
| Connection | 2x Lead Wires 22 AWG or terminals | | |
| Motor | Shaded pole, impedance protected | | |
| Bearing System | Dual ball or Sleeve | | |
| Insulation Resistance | >100M ohm between lead-wire and frame (500VDC) | | |
| Dielectric Strength | 1 minute at 1,500 VAC, 50/60Hz | | |

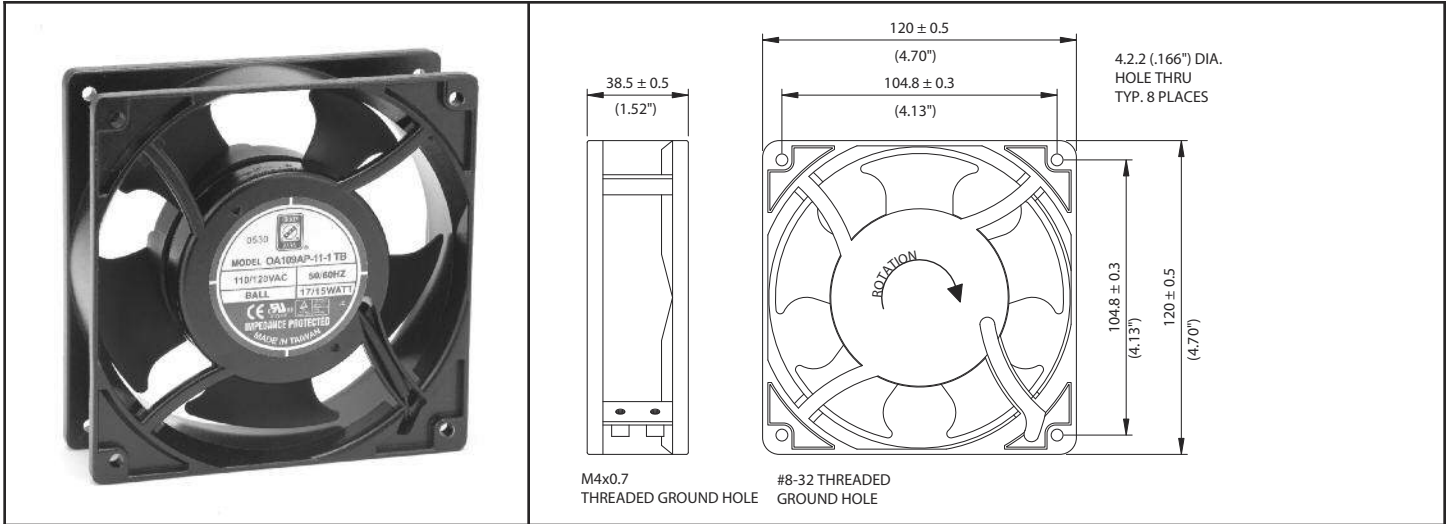
| Model Number | Speed (RPM) | Airflow (CFM) | Noise (dB) | Volts AC | Voltage Range AC | Watts | Max. Static Pressure ("H ₂ O) |
|----------------|-------------|---------------|------------|----------|------------------|-------|--|
| OA125AP-11-1 * | 2,900 | 75 | 42 | 115 | 80 ~ 130 | 11 | 0.21 |
| OA125AP-11-2 * | 2,500 | 60 | 37 | 115 | 80 ~ 130 | 11 | 0.16 |
| OA125AP-11-3 * | 2,000 | 53 | 33 | 115 | 80 ~ 130 | 11 | 0.11 |
| OA125AP-22-1 * | 2,900 | 75 | 42 | 230 | 160 ~ 260 | 14 | 0.21 |
| OA125AP-22-2 * | 2,500 | 60 | 37 | 230 | 160 ~ 260 | 14 | 0.16 |
| OA125AP-22-3 * | 2,000 | 53 | 33 | 230 | 160 ~ 260 | 14 | 0.11 |

* Indicate "TB" (Terminal Ball Bearing) "WB" (12" Wire Leads, Ball Bearing), "TS" (Terminal, Sleeve Bearing), "WS" (Wire Leads, Sleeve Bearing)

OA109 Series



AC Fan - 115V, 230V
120x38mm (4.7"x 1.5")



| | | | |
|-----------------------|--|--|--|
| Frame | Diecast Aluminum | <p><u>Operating Temperature</u> Ball Bearing -20C ~ +80C Sleeve Bearing -10C ~ +50C Storage Temp -40C ~ +100C</p> <p><u>Life Expectancy</u> Ball Bearing 60,000 hours (L10 at 40C) Sleeve Bearing 30,000 hours (L10 at 40C)</p> <p>Weight: ~ 1.12 lbs.</p> <p>m0</p> | |
| Impeller | PBT, UL94V-0 plastic | | |
| Connection | 2x 300mm Lead wires (22AWG) or terminals | | |
| Motor | AC shaded pole, impedance protected | | |
| Bearing System | Dual ball or Sleeve | | |
| Insulation Resistance | >100M ohm between lead-wire and frame (500VDC) | | |
| Dielectric Strength | 1 min at 1,500 VAC, 50/60Hz | | |

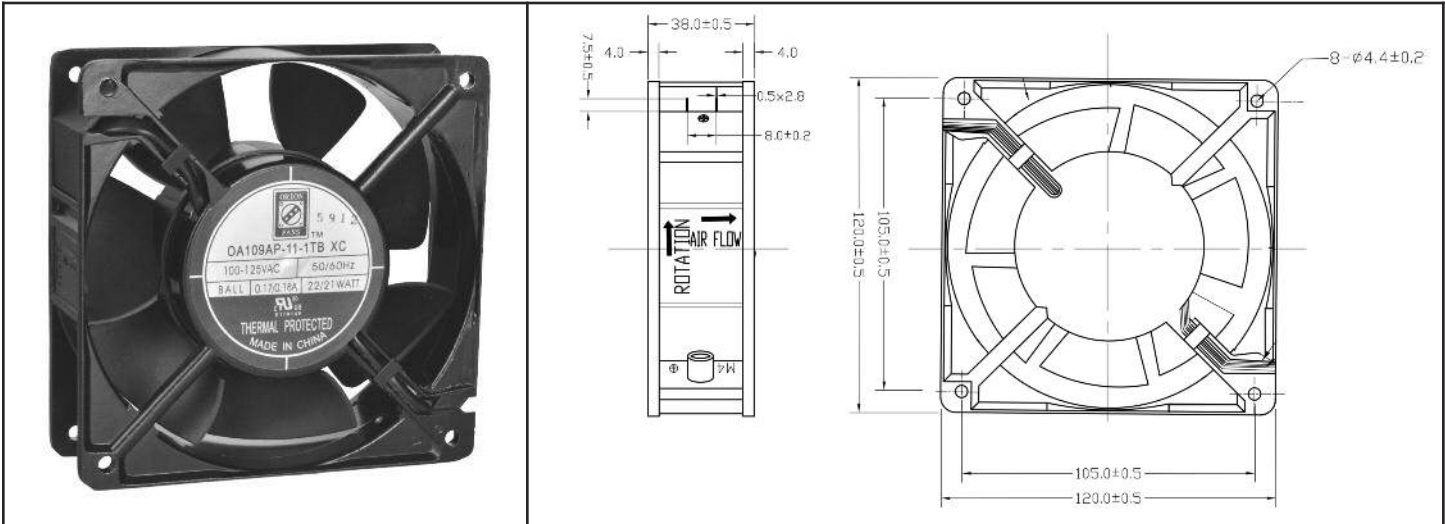
| Model Number | Speed (RPM) | Airflow (CFM) | Noise (dB) | Volts AC | Voltage Range | Watts | Max. Static Pressure (\"H ₂ O) |
|----------------|-------------|---------------|------------|----------|---------------|-------|---|
| OA109AP-11-1 * | 3,000 | 110 | 42 | 115 | 80~130 | 15 | .28 |
| OA109AP-11-2 * | 2,300 | 71 | 35 | 115 | 80~130 | 11 | .24 |
| OA109AP-11-3 * | 1,600 | 51 | 25 | 115 | 80~130 | 8 | .15 |
| OA109AP-22-1 * | 3,000 | 110 | 42 | 230 | 160~260 | 15 | .28 |
| OA109AP-22-2 * | 2,300 | 71 | 35 | 230 | 160~260 | 11 | .24 |
| OA109AP-22-3 * | 1,600 | 51 | 25 | 230 | 160~260 | 8 | .15 |

* Indicate "TB" (Terminal Ball Bearing), "WB" (12" Wire Leads, Ball Bearing), "TS" (Terminal, Sleeve Bearing), "WS" (12" Wire Leads, Sleeve Bearing)

OA109 'XC Series'



AC Fan - 115V, 230V
120 x 38mm (4.7" x 1.5")



| | | | |
|-----------------------|--|--|--|
| Frame | Diecast Aluminum | <p><u>Operating Temperature</u> Ball Bearing -10C ~ +65C Storage Temp -20C ~ +80C</p> <p><u>Life Expectancy</u> Ball Bearing 60,000 hours (L10 at 40C)</p> <p>(* Wires ~300mm)</p> <p>Weight: ~1.12 lbs.</p> <p>m4</p> | |
| Impeller | PBT, UL94V-0 plastic | | |
| Connection | 2x Lead wires (24AWG*) or Terminals | | |
| Motor | AC capacitor drive, thermally protected | | |
| Bearing System | Dual ball | | |
| Insulation Resistance | >100M ohm between lead-wire and frame (500VDC) | | |
| Dielectric Strength | 1 min at 1,500 VAC, 50/60Hz | | |

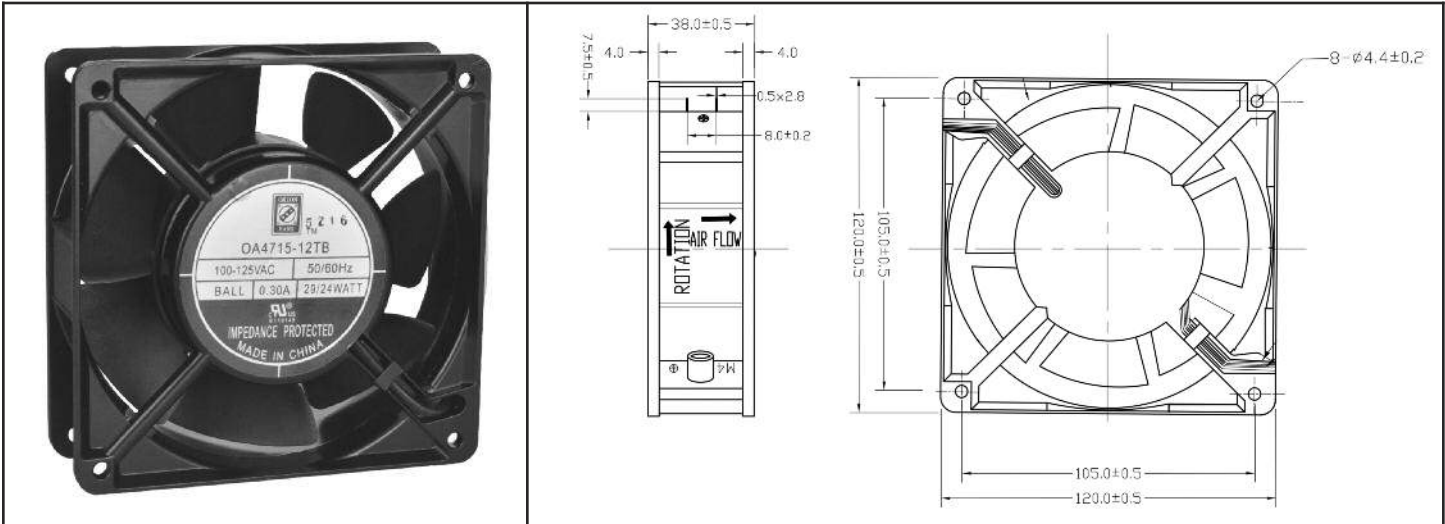
| Part Number | OA109AP-11-1 * B XC | OA109AP-22-1 * B XC |
|------------------------|--------------------------------|--------------------------------|
| Nominal Voltage | 115 VAC | 230 VAC |
| Rated Power (50/60 Hz) | 21 / 22 W | 21 / 22 W |
| Nominal Current | 0.17 / 0.18 A | 0.10 / 0.11 A |
| Frequency (Hz) | 50 / 60 | 50 / 60 |
| Rated Speed (RPM) | 2,800 / 3,300 | 2,800 / 3,300 |
| Airflow (CFM) | 110 / 131 | 110 / 131 |
| Noise Level (dB) | 43 / 47 | 43 / 47 |
| Max. Static Pressure | 0.38" / 0.49" H ₂ O | 0.38" / 0.49" H ₂ O |

* Insert "T" to specify Terminal or "W" to specify Wire leads

OA4715 'Challenger Series'



AC Fan - 115V, 230V
120 x 38mm (4.7" x 1.5")



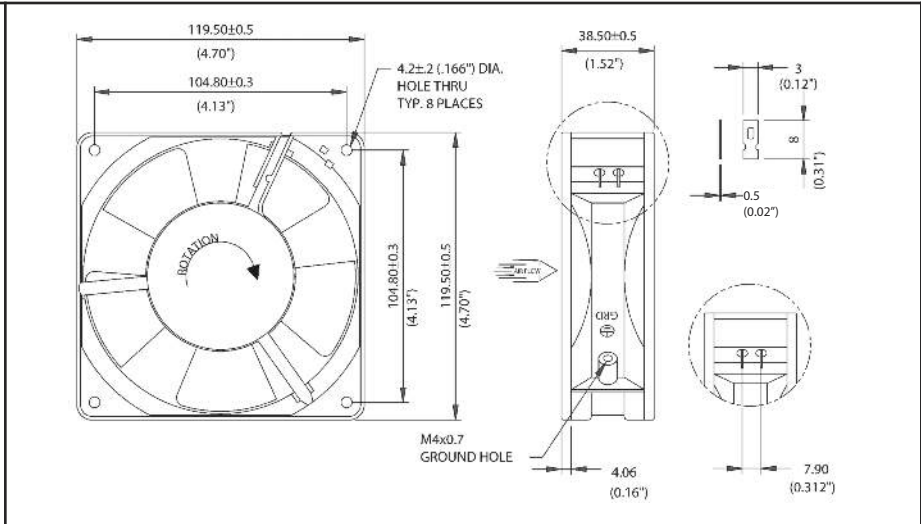
| | | | |
|-----------------------|--|--|--|
| Frame | Diecast Aluminum | <u>Operating Temperature</u> Ball Bearing -10C ~ +70C Storage Temp -20C ~ +80C <u>Life Expectancy</u> Ball Bearing 60,000 hours (L10 at 40C) Weight: ~1.2 lbs. | |
| Impeller | PBT, UL94V-0 plastic | | |
| Connection | Terminals | | |
| Motor | AC shaded pole, impedance protected | | |
| Bearing System | Dual ball | | |
| Insulation Resistance | >100M ohm between lead-wire and frame (500VDC) | | |
| Dielectric Strength | 1 min at 1,500 VAC, 50/60Hz | | |

| Part Number | OA4715-12TB | OA4715-23TB |
|----------------------|------------------------|------------------------|
| Nominal Voltage | 115 VAC | 230 VAC |
| Nominal Current | 0.30 A | 0.23 A |
| Rated Power | 24 W (60Hz) | 24 W (60Hz) |
| Rated Speed (RPM) | 3,000 | 3,000 |
| Airflow (CFM) | 110 | 110 |
| Noise Level (dB) | 44 | 44 |
| Max. Static Pressure | 0.37" H ₂ O | 0.37" H ₂ O |

OA109 (AIOS)



AC Fan - 115V, 230V, Reverse Airflow 120 x 38mm (4.7" x 1.5")



| | | | |
|------------------------------|--|---|--|
| Frame | Diecast Aluminum | <u>Operating Temperature</u> Ball Bearing -20C ~ +80C Sleeve Bearing -10C ~ +50C Storage Temp -40C ~ +80C | |
| Impeller | PBT, UL94V-0 plastic | | |
| Connection | 2x 300mm Lead wires (22AWG) or terminals | | |
| Motor | AC shaded pole, impedance protected | <u>Life Expectancy</u> Ball Bearing 60,000 hours (L10 at 40C) Sleeve Bearing 30,000 hours (L10 at 40C) | |
| Bearing System | Dual ball or Sleeve | <u>AIOS</u> Air Input Over Struts | |
| Insulation Resistance | >100M ohm between lead-wire and frame (500VDC) | Weight: ~1.2 lbs. | |
| Dielectric Strength | 1 min at 1,500 VAC, 50/60Hz | m2 | |

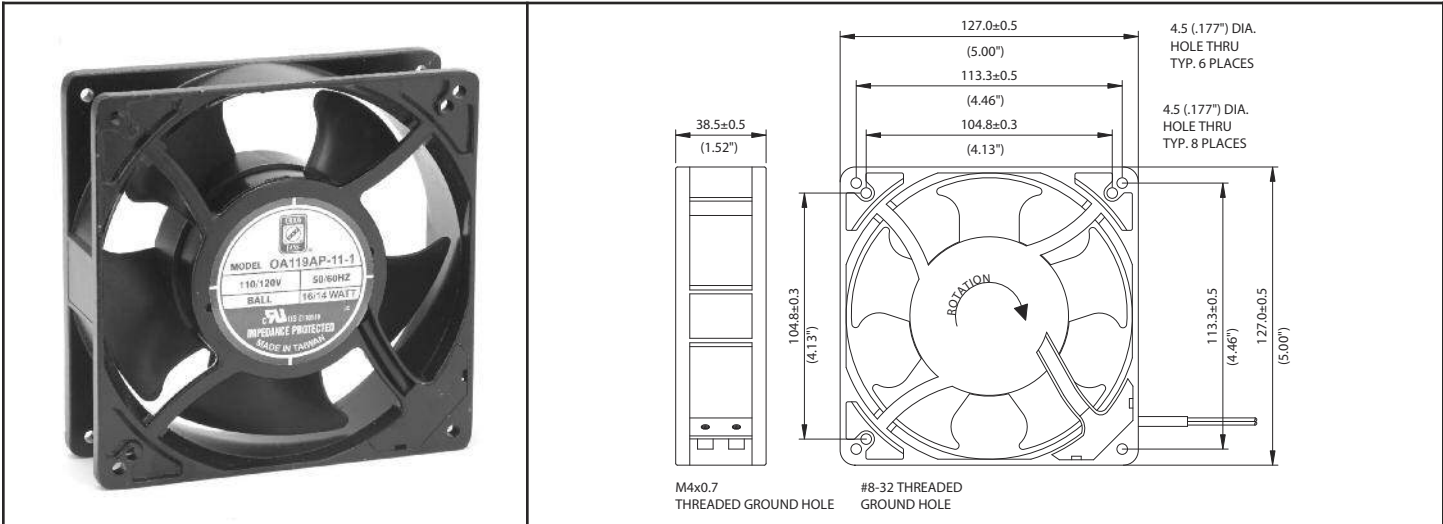
| Model Number | Speed (RPM) | Airflow (CFM) | Noise (dB) | Volts AC | Voltage Range | Watts | Max. Static Pressure ("H ₂ O) |
|------------------|-------------|---------------|------------|----------|---------------|-------|--|
| OA109AP-11-1 * R | 3,100 | 99 | 47 | 115 | 80~130 | 15 | .33 |
| OA109AP-11-2 * R | 2,750 | 85 | 45 | 115 | 80~130 | 13 | .25 |
| OA109AP-11-3 * R | 2,300 | 75 | 38 | 115 | 80~130 | 12 | .16 |
| OA109AP-22-1 * R | 3,100 | 99 | 47 | 230 | 160~260 | 15 | .33 |
| OA109AP-22-2 * R | 2,750 | 85 | 45 | 230 | 160~260 | 13 | .25 |
| OA109AP-22-3 * R | 2,300 | 75 | 38 | 230 | 160~260 | 12 | .16 |

* Indicate "TB" (Terminal Ball Bearing), "WB" (12" Wire Leads, Ball Bearing), "TS" (Terminal, Sleeve Bearing), "WS" (12" Wire Leads, Sleeve Bearing)

OA119 Series



AC Fan - 115V, 230V
127 x 38mm (5.0" x 1.5")



| | | | |
|-----------------------|--|---|--|
| Frame | Diecast Aluminum | <u>Operating Temperature</u> Ball Bearing -20C ~ +80C Sleeve Bearing -10C ~ +50C Storage Temp -40C ~ +80C <u>Life Expectancy</u> Ball Bearing 60,000 hours (L10 at 40C) Sleeve Bearing 30,000 hours (L10 at 40C) Weight: ~ 1.3 lbs. m0 | |
| Impeller | PBT, UL94V-0 plastic | | |
| Connection | 2x Lead Wires 22 AWG or terminals | | |
| Motor | Shaded pole, impedance protected Tachometer available (5VTTL), input 5 ~24V | | |
| Bearing System | Dual ball or Sleeve | | |
| Insulation Resistance | >100M ohm between lead-wire and frame (500VDC) | | |
| Dielectric Strength | 1 min at 1,500 VAC, 50/60Hz | | |

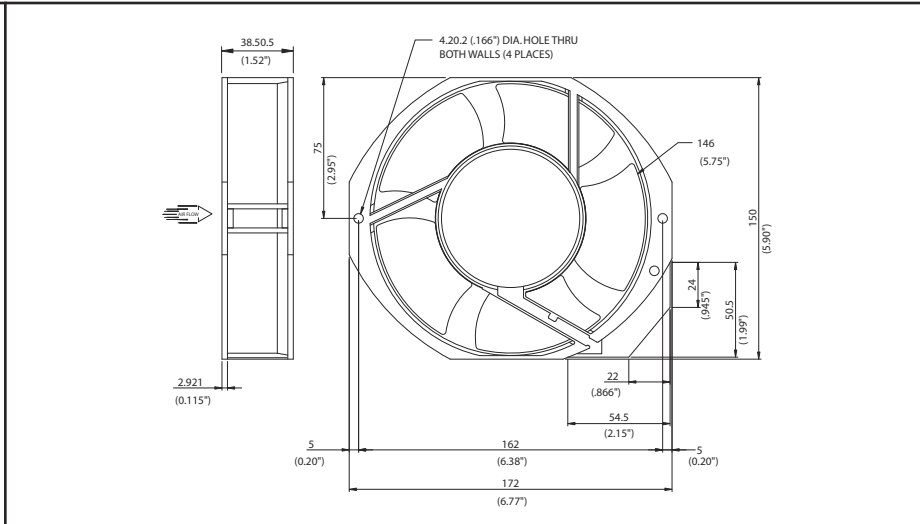
| Model Number | Speed (RPM) | Airflow (CFM) | Noise (dB) | Volts AC | Voltage Range | Watts | Max. Static Pressure (\"H ₂ O) |
|----------------|-------------|---------------|------------|----------|---------------|-------|---|
| OA119AP-11-1 * | 2,750 | 130 | 46 | 115 | 80~130 | 14 | .24 |
| OA119AP-11-2 * | 2,300 | 95 | 37 | 115 | 80~130 | 10 | .15 |
| OA119AP-11-3 * | 1,400 | 74 | 28 | 115 | 80~130 | 7 | .10 |
| OA119AP-22-1 * | 2,750 | 130 | 46 | 230 | 160~260 | 14 | .24 |
| OA119AP-22-2 * | 2,300 | 95 | 37 | 230 | 160~260 | 10 | .15 |
| OA119AP-22-3 * | 1,400 | 74 | 28 | 230 | 160~260 | 7 | .10 |

* Indicate "TB" (Terminal Ball Bearing), "WB" (12" Wire Leads, Ball Bearing), "TS" (Terminal, Sleeve Bearing), "WS" (12" Wire Leads, Sleeve Bearing)

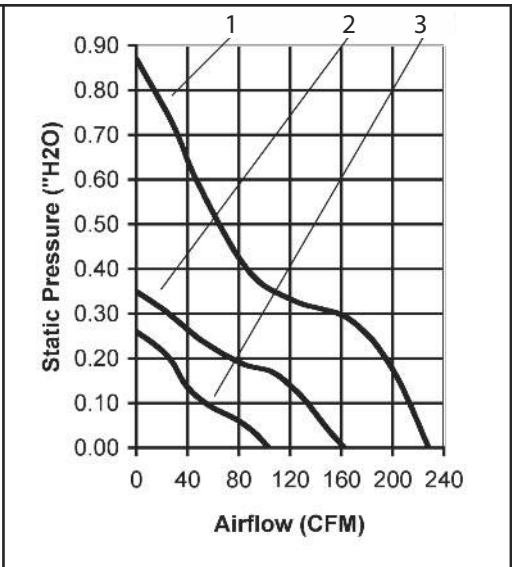
OA172SAPL Series



AC Fan - 115V, 230V
172 x 150 x 38mm (6.7"x 5.9"x 1.5")



| | | |
|-----------------------|--|---|
| Frame | Diecast Aluminum | <u>Operating Temperature</u> Ball Bearing -20C ~ +80C Storage Temp -40C ~ +80C <u>Life Expectancy</u> Ball Bearing 60,000 hours (L10 at 40C) Weight: ~ 1.6 lbs. |
| Impeller | PBT, UL94V-0 plastic | |
| Connection | 2x Lead Wires or Terminals | |
| Motor | Capacitor drive, thermally protected | |
| Bearing System | Dual ball | |
| Insulation Resistance | >100M ohm between lead-wire and frame (500VDC) | |
| Dielectric Strength | 1 min at 1,500 VAC, 50/60Hz | |



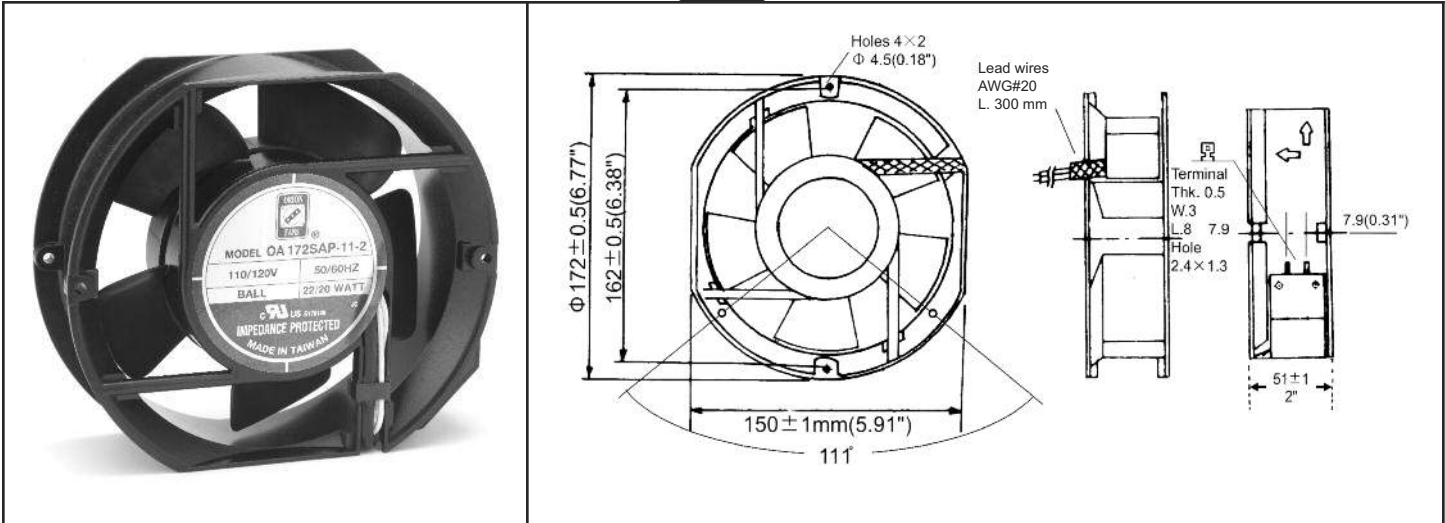
| Model Number | Speed (RPM) | Airflow (CFM) | Noise (dB) | Volts AC | Voltage Range | Watts | Max. Static Pressure (\"H ₂ O) |
|------------------|-------------|---------------|------------|----------|---------------|-------|---|
| OA172SAPL-11-1 * | 3,400 | 228 | 58 | 115 | 103~126 | 28 | 0.87 |
| OA172SAPL-11-2 * | 2,750 | 162 | 50 | 115 | 103~126 | 27 | 0.35 |
| OA172SAPL-11-3 * | 1,700 | 103 | 44 | 115 | 103~126 | 26 | 0.26 |
| OA172SAPL-22-1 * | 3,400 | 228 | 58 | 230 | 160~260 | 28 | 0.87 |
| OA172SAPL-22-3 * | 1,700 | 103 | 44 | 230 | 160~260 | 26 | 0.26 |

* Indicate "TB" for Terminal type or "WB" for Wire Leads

OA172S Series



AC Fan - 115V, 230V
172 x 150 x 51mm (6.7"x 5.9" x 2.0")



| | | | |
|-----------------------|--|---|--|
| Frame | Diecast Aluminum | <u>Operating Temperature</u> Ball Bearing -20C ~ +70C Storage Temp -40C ~ +80C <u>Life Expectancy</u> Ball Bearing 60,000 hours (L10 at 40C) Weight: ~ 2.6 lbs. | |
| Impeller | PBT, UL94V-0 plastic | | |
| Connection | 2x Lead Wires or Terminals | | |
| Motor | Capacitor drive, impedance protected | | |
| Bearing System | Dual ball | | |
| Insulation Resistance | >100M ohm between lead-wire and frame (500VDC) | | |
| Dielectric Strength | 1 min at 1,500 VAC, 50/60Hz | | |

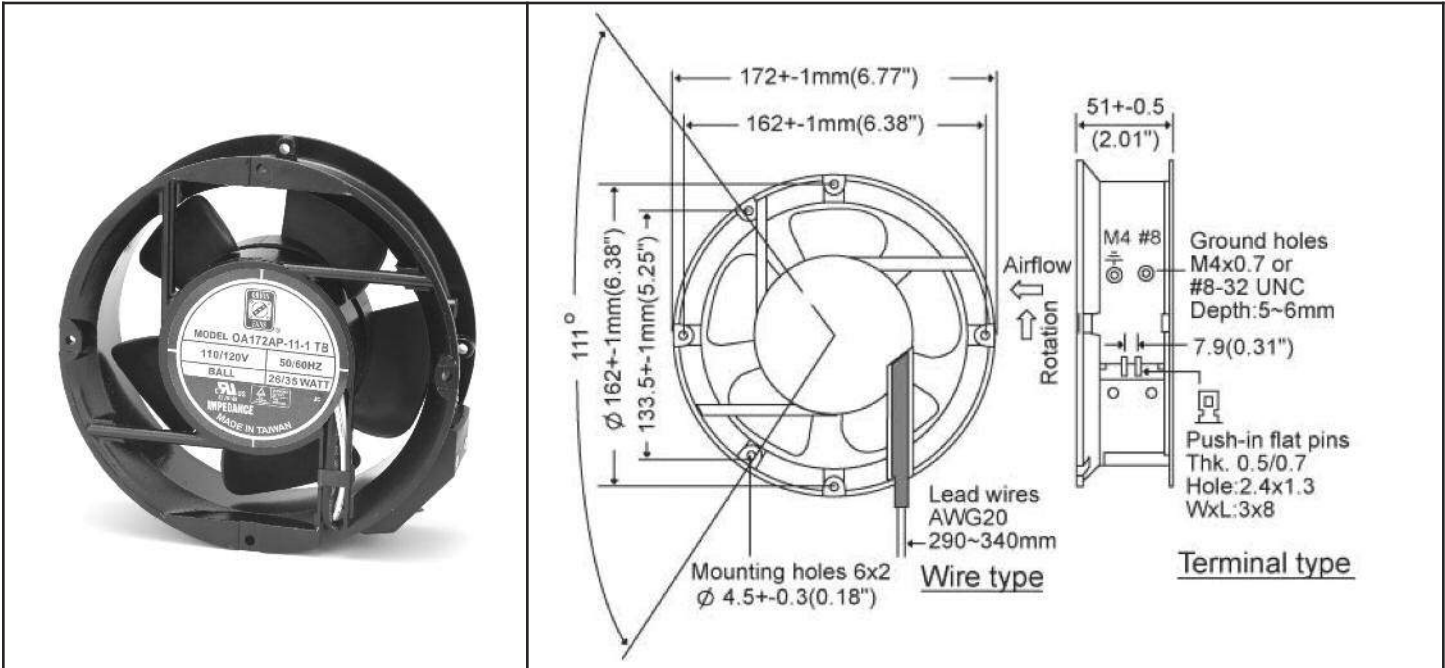
| Model Number | Speed (RPM) | Airflow (CFM) | Noise (dB) | Volts AC | Voltage Range | Watts | Max. Static Pressure (\"H2O) |
|-----------------|-------------|---------------|------------|----------|---------------|-------|------------------------------|
| OA172SAP-11-1 * | 3,200 | 235 | 52 | 115 | 80~130 | 35 | 0.70 |
| OA172SAP-11-2 * | 2,400 | 170 | 42 | 115 | 80~130 | 20 | 0.49 |
| OA172SAP-11-3 * | 1,800 | 135 | 33 | 115 | 80~130 | 16 | 0.43 |
| OA172SAP-22-1 * | 3,200 | 235 | 52 | 230 | 160~260 | 35 | 0.70 |
| OA172SAP-22-2 * | 2,400 | 170 | 42 | 230 | 160~260 | 20 | 0.49 |
| OA172SAP-22-3 * | 1,800 | 135 | 33 | 230 | 160~260 | 16 | 0.43 |

* Indicate "TB" for Terminal type or "WB" for Wire Leads

OA172 Series



AC Fan - 115V, 230V
172 x 51mm (6.7" x 2.0")



| | | | |
|-----------------------|--|---|--|
| Frame | Diecast Aluminum | Operating Temperature Ball Bearing -40C ~ +70C Storage Temp -40C ~ +80C | |
| Impeller | PBT, UL94V-0 plastic | | |
| Connection | 2x Lead Wires or Terminals | | |
| Motor | Capacitor drive, impedance protected | Life Expectancy Ball Bearing 60,000 hours (L10 at 40C) | |
| Bearing System | Dual ball | Weight: ~ 2.7 lbs. | |
| Insulation Resistance | >100M ohm between lead-wire and frame (500VDC) | | |
| Dielectric Strength | 1 min at 1,500 VAC, 50/60Hz | m0 | |

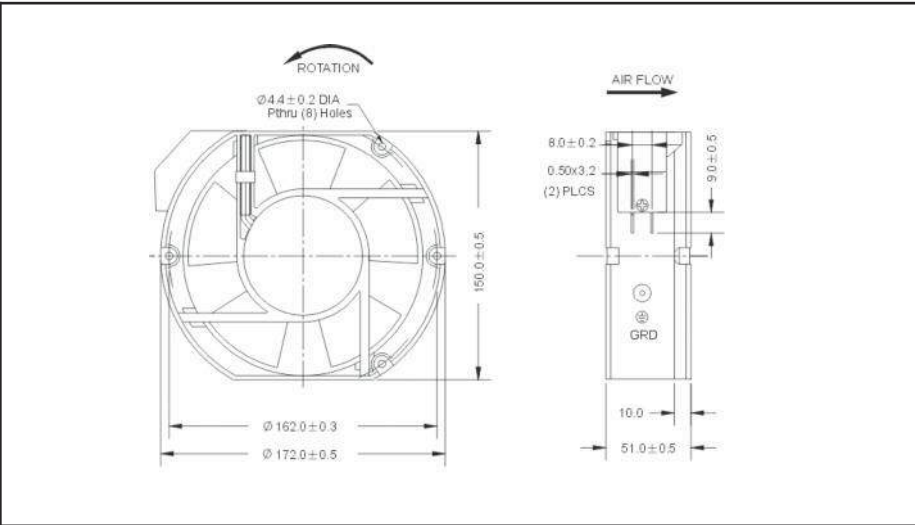
| Model Number | Speed (RPM) | Airflow (CFM) | Noise (dB) | Volts AC | Voltage Range | Watts | Max. Static Pressure (H ₂ O) |
|----------------|-------------|---------------|------------|----------|---------------|-------|---|
| OA172AP-11-1 * | 3,200 | 235 | 52 | 115 | 80~130 | 35 | 0.70 |
| OA172AP-11-2 * | 2,400 | 170 | 42 | 115 | 80~130 | 20 | 0.49 |
| OA172AP-11-3 * | 1,800 | 135 | 33 | 115 | 80~130 | 16 | 0.43 |
| OA172AP-22-1 * | 3,200 | 235 | 52 | 230 | 160~260 | 35 | 0.70 |
| OA172AP-22-2 * | 2,400 | 170 | 42 | 230 | 160~260 | 20 | 0.49 |
| OA172AP-22-3 * | 1,800 | 135 | 33 | 230 | 160~260 | 16 | 0.43 |

* Indicate "TB" for Terminal type or "WB" for Wire Leads

OA172 'XC Series'



AC Fan - 115V, 230V
172x150x51mm (6.7"x 5.9"x 2.0")



| | | | |
|-----------------------|--|---|--|
| Frame | Diecast Aluminum | Operating Temperature Ball Bearing -40C ~ +70C Storage Temp -40C ~ +80C Life Expectancy Ball Bearing 60,000 hours (L10 at 40C) Weight: ~ 2.2 lbs. | |
| Impeller | PBT, UL94V-O plastic | | |
| Connection | 2x Lead Wires or Terminals | | |
| Motor | Capacitor drive, thermally protected | | |
| Bearing System | Dual ball (Sleeve available) | | |
| Insulation Resistance | >100M ohm between lead-wire and frame (500VDC) | | |
| Dielectric Strength | 1 min at 1,500 VAC, 50/60Hz | | |

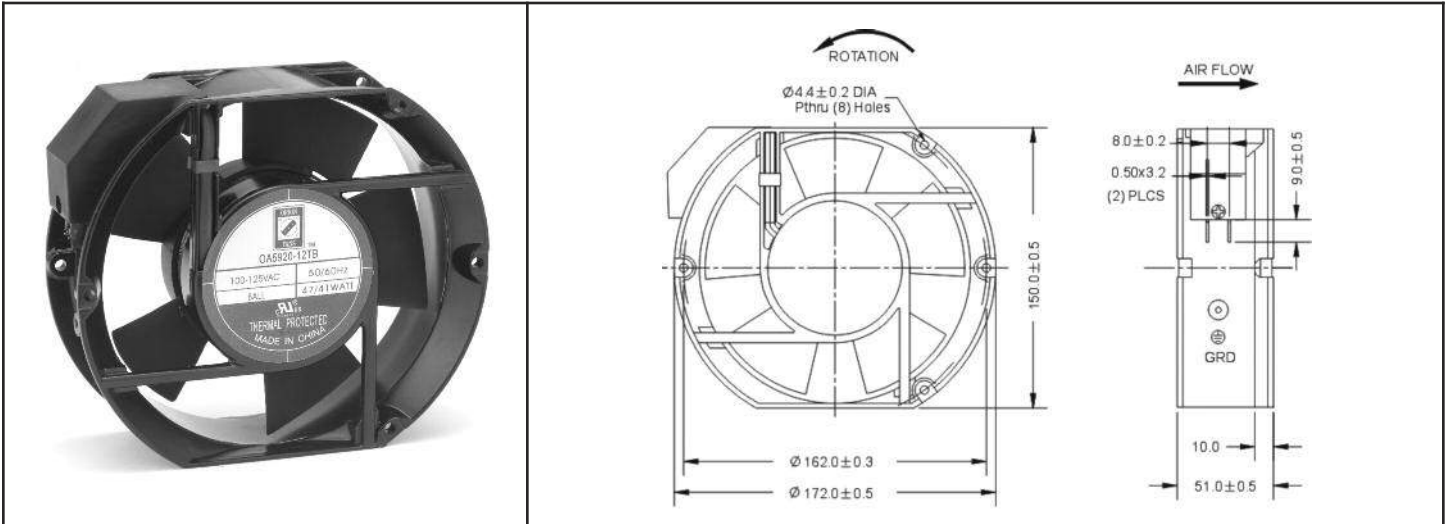
| Part Number | OA172SAP-11-1 ()B XC | OA172SAP-22-1 ()B XC |
|----------------------|------------------------|------------------------|
| Nominal Voltage | 115 VAC | 230 VAC |
| Voltage Range | 100 ~ 125 VAC | 200 ~ 240 VAC |
| Rated Power | 50 W (60 Hz) | 50 W (60 Hz) |
| Rated Speed (RPM) | 3,300 | 3,300 |
| Airflow - CFM | 300 | 300 |
| Noise Level - (dB) | 61 | 61 |
| Max. Static Pressure | 0.78" H ₂ O | 0.78" H ₂ O |

() Indicate "T" for terminal or "W" for wire leads

OA5920 'Challenger Series'



AC Fan - 115V, 230V
172 x 150 x 51mm (6.7"x 5.9" x 2.0")



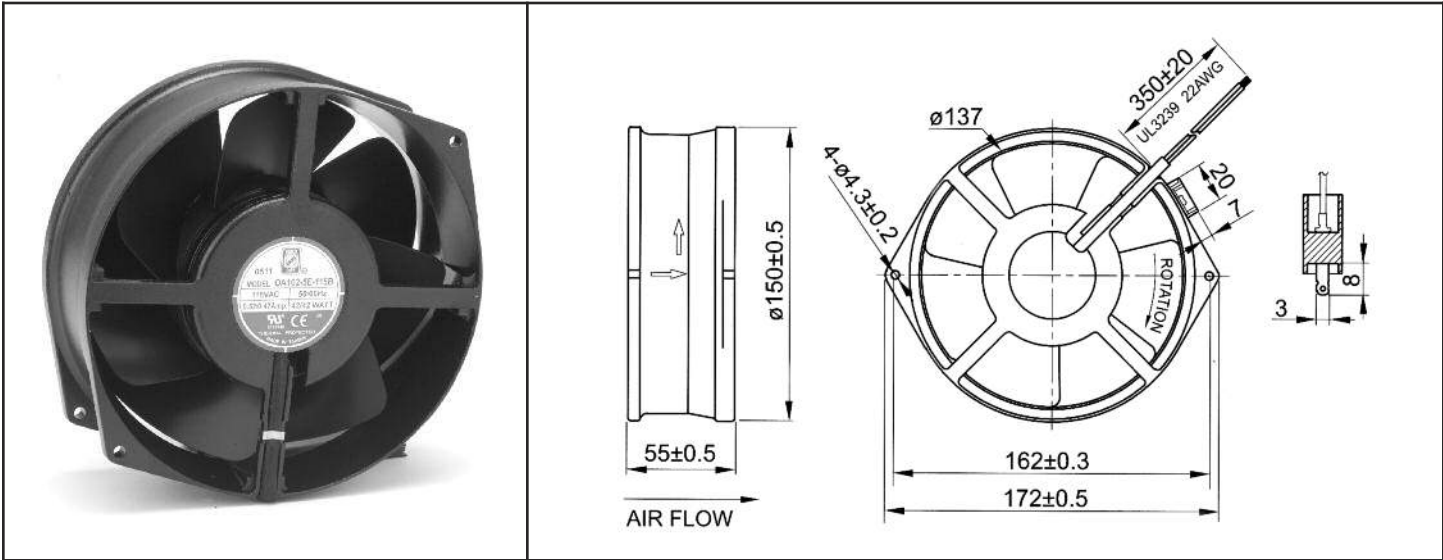
| | | | |
|-----------------------|--|---|--|
| Frame | Diecast Aluminum | <u>Operating Temperature</u> Ball Bearing -10C ~ +70C Storage Temp -40C ~ +80C <u>Life Expectancy</u> Ball Bearing 60,000 hours (L10 at 40C) Weight: 2.0 lbs. | |
| Impeller | PBT, UL94V-0 plastic | | |
| Connection | Terminals | | |
| Motor | Shaded pole, thermally protected | | |
| Bearing System | Dual ball (Sleeve available) | | |
| Insulation Resistance | >100M ohm between lead-wire and frame (500VDC) | | |
| Dielectric Strength | 1 min at 1,500 VAC, 50/60Hz | | |

| Part Number | OA5920-12TB | OA5920-23TB |
|----------------------|------------------------|------------------------|
| Nominal Voltage | 115 VAC | 230 VAC |
| Voltage Range | 80 ~ 130 VAC | 160 ~ 260 VAC |
| Rated Power | 41 W (60Hz) | 41 W (60Hz) |
| Rated Speed (RPM) | 3,000 | 3,000 |
| Airflow (CFM) | 180 | 180 |
| Noise Level (dB) | 55 | 55 |
| Max. Static Pressure | 0.51" H ₂ O | 0.51" H ₂ O |

OA162 Series



AC Fan - 115V, 230V
172 x 55mm (6.7" x 2.2")



| | | | |
|-----------------------|--|---|--|
| Frame & Impeller | Diecast Aluminum | <u>Operating Temperature</u> Ball Bearing -40C ~ +70C Storage Temp -40C ~ +80C <u>Life Expectancy</u> Ball Bearing 60,000 hours (L10 at 40C) Weight: ~ 2.4 lbs. m2 | |
| Connection | Terminals or Lead Wires | | |
| Motor | Shaded Pole, thermally protected | | |
| Bearing System | Dual ball (Sleeve available) | | |
| Insulation Resistance | >100M ohm between lead-wire and frame (500VDC) | | |
| Dielectric Strength | 1 min at 1,500 VAC, 50/60Hz | | |

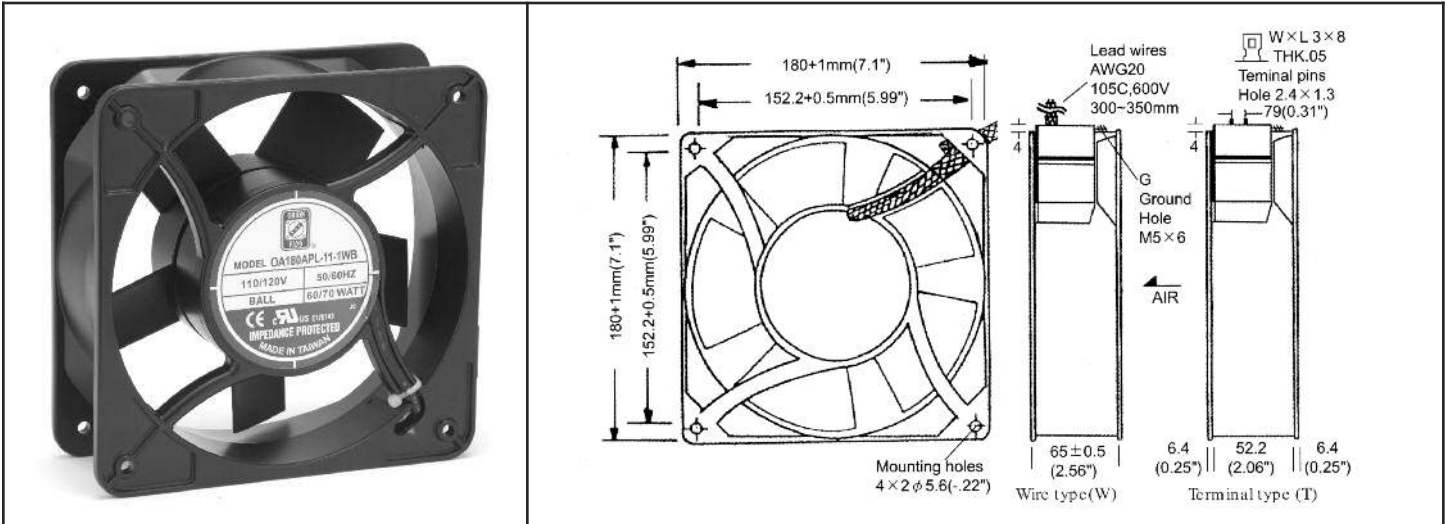
| Part Number | OA162-5E-115 * B | OA162-5E-230 * B |
|----------------------|------------------------|------------------------|
| Nominal Voltage | 115 VAC | 230 VAC |
| Voltage Range | 80 ~ 130 VAC | 160 ~ 260 VAC |
| Rated Power | 31 W (60Hz) | 31 W (60Hz) |
| Rated Speed (RPM) | 3,400 | 3,400 |
| Airflow (CFM) | 241 | 241 |
| Noise Level (dB) | 66 | 66 |
| Max. Static Pressure | 0.73" H ₂ O | 0.73" H ₂ O |

* Indicate "T" for Terminal or "W" for Wire leads

OA180APL Series



AC Fan - 115V, 230V
180 x 65mm (7.1" x 2.6")



| | | | |
|-----------------------|---|---|--|
| Frame | Diecast Aluminum | <p><u>Operating Temperature</u> Ball Bearing -20C ~ +80C Storage Temp -40C ~ +80C</p> <p><u>Life Expectancy</u> Ball Bearing 60,000 hours (L10 at 40C)</p> <p>Available as dual speed or dual voltage</p> <p>Weight: ~ 4.0 lbs.</p> | |
| Impeller | PBT, UL94V-0 plastic | | |
| Connection | 2x Lead Wires 20 AWG or terminals | | |
| Motor | Single phase Capacitor induction, 2/4 pole, inner rotor, thermal protection | | |
| Bearing System | Dual ball | | |
| Insulation Resistance | >100M ohm between lead-wire and frame (500VDC) | | |
| Dielectric Strength | 1 min at 1,500 VAC, 50/60Hz | | |

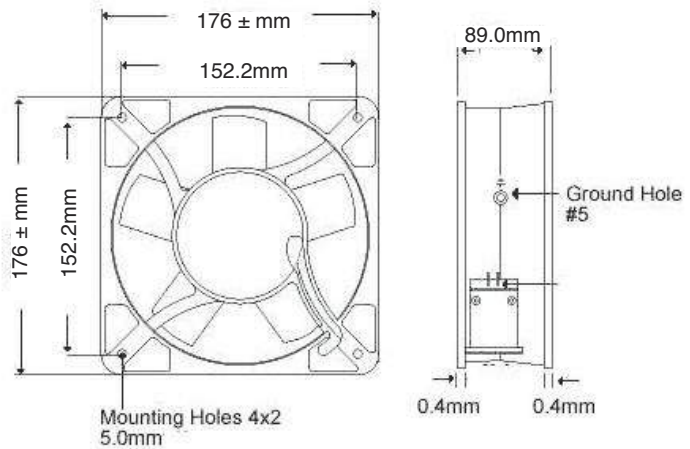
| Model Number | Speed (RPM) | Airflow (CFM) | Noise (dB) | Volts AC | Voltage Range | Watts | Max. Static Pressure (\"H ₂ O) |
|-----------------|-------------|---------------|------------|----------|---------------|-------|---|
| OA180APL-11-1 * | 3,300 | 405 | 60 | 115 | 60~130 | 70 | 0.83 |
| OA180APL-11-2 * | 2,200 | 280 | 47 | 115 | 60~130 | 50 | 0.58 |
| OA180APL-11-3 * | 1,650 | 210 | 40 | 115 | 60~130 | 38 | 0.43 |
| OA180APL-22-1 * | 3,300 | 405 | 60 | 230 | 120~260 | 70 | 0.83 |
| OA180APL-22-2 * | 2,200 | 280 | 47 | 230 | 120~260 | 50 | 0.58 |
| OA180APL-22-3 * | 1,650 | 210 | 40 | 230 | 120~260 | 38 | 0.43 |

* Indicate "TB" for terminal or "WB" for wire leads

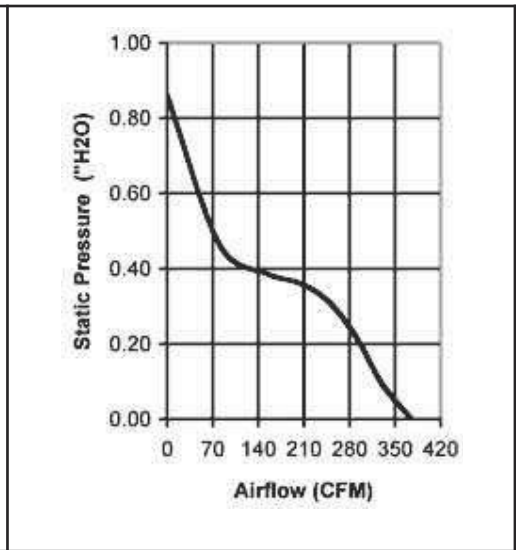
OA180AP Series



AC Fan - 115V, 230V
176 x 89mm (6.9" x 3.5")



| | | |
|-----------------------|--|---|
| Frame | Diecast Aluminum | <u>Operating Temperature</u> Ball Bearing -20C ~ +80C Storage Temp -40C ~ +80C <u>Life Expectancy</u> Ball Bearing 60,000 hours (L10, 40C) Weight: 4.0 lbs. |
| Impeller | PBT, UL94V-O plastic | |
| Connection | 2x Lead Wires 20 AWG or terminals | |
| Motor | Capacitor drive, thermally protected | |
| Bearing System | Dual ball | |
| Insulation Resistance | >100M ohm between lead-wire and frame (500VDC) | |
| Dielectric Strength | 1 min at 1,500 VAC, 50/60Hz | |



| Part Number | OA180AP-11-1 * | OA180AP-22-1 * |
|-----------------------------|------------------------|-------------------------|
| Nominal AC Voltage | 115 | 230 |
| Voltage Range | 60 ~ 130 VAC | 120 ~ 260 VAC |
| Rated Power (50/60 Hz) | 70 W | 70 W |
| RPM (50/60 Hz) | 3350 | 3350 |
| Airflow - CFM (50/60 Hz) | 375 | 375 |
| Noise Level - dB (50/60 Hz) | 62 | 62 |
| Max. Static Pressure | 0.86" H ₂ O | 00.86" H ₂ O |

* Indicate "TB" for terminal or "WB" for wire leads

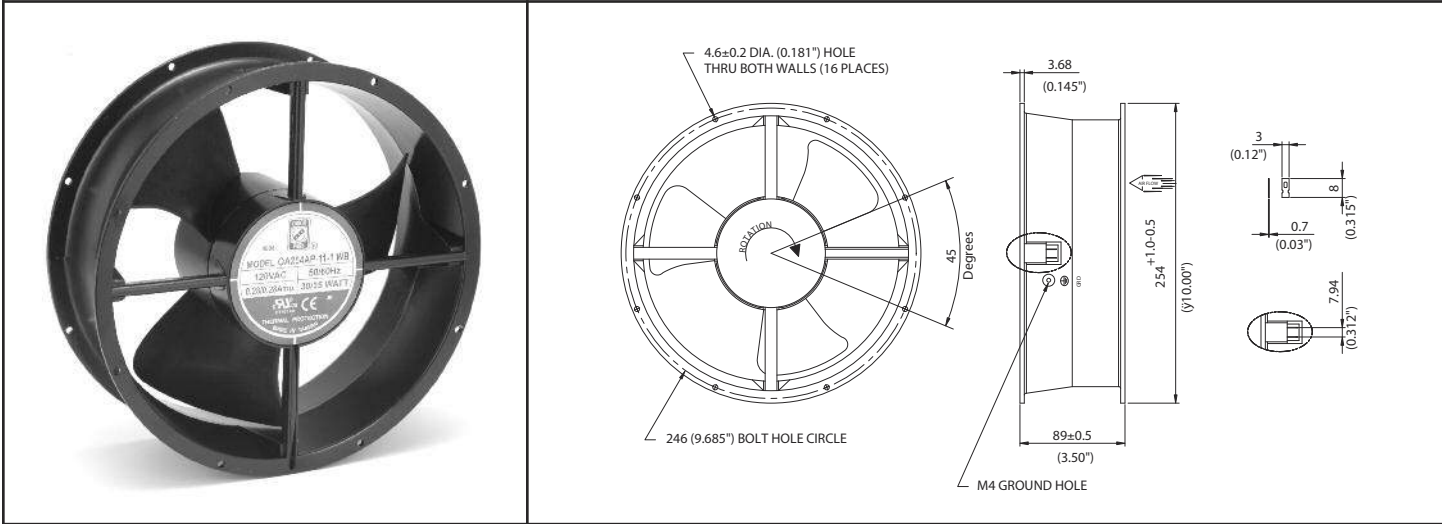


This page is left intentionally blank

OA254 Series



AC Fan - 115V, 230V
254 x 89mm (10.0" x 3.5")



| | | | |
|-----------------------|--|---|--|
| Frame | Diecast Aluminum | Operating Temperature Ball Bearing -20C ~ +80C Storage Temp -40C ~ +80C | |
| Impeller | PBT, UL94V-0 plastic | | |
| Connection | 2x Lead Wires or Terminals | | |
| Motor | Capacitor drive, thermally protected | Life Expectancy Ball Bearing 60,000 hours (L10 at 40C) | |
| Bearing System | Dual ball | Weight: ~ 4.2 lbs. | |
| Insulation Resistance | >100M ohm between lead-wire and frame (500VDC) | | |
| Dielectric Strength | 1 min at 1,500 VAC, 50/60Hz | m2 | |

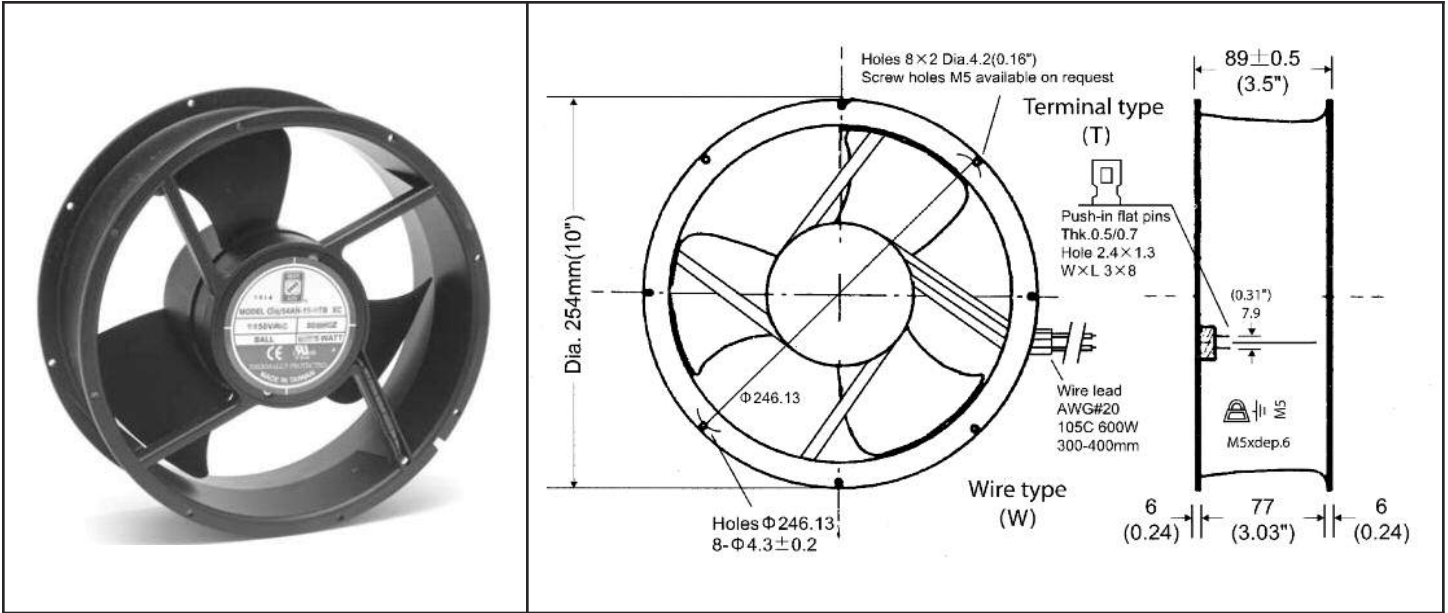
| Part Number | OA254AP-11-1 * | OA254AP-22-1 * |
|---------------------------------|--------------------------------|--------------------------------|
| Nominal Voltage | 115VAC | 230VAC |
| Voltage Range | 80 ~ 130VAC | 160 ~ 260VAC |
| Rated Power (50/60 Hz) | 31/33 W - (0.30 / 0.29 A) | 31/33 W - (0.14 / 0.14 A) |
| Rated Speed (50/60 Hz) | 1,400 / 1,650 | 1,400 / 1,650 |
| Airflow - CFM (50/60 Hz) | 460 / 547 | 460 / 547 |
| Noise Level - dB (50/60 Hz) | 52 / 55 | 52 / 55 |
| Max. Static Pressure (50/60 Hz) | 0.32" / 0.39" H ₂ O | 0.32" / 0.39" H ₂ O |

* Indicate "TB" for terminal type or "WB" for Wire leads (300mm)

OA254 'XC Series'



AC Fan - 115V, 230V High Performance 254 x 89mm (10.0" x 3.5")



| | | | |
|-----------------------|--|---|--|
| Frame | Diecast Aluminum | <u>Operating Temperature</u> Ball Bearing -20C ~ +80C Storage Temp -40C ~ +80C <u>Life Expectancy</u> Ball Bearing 60,000 hours (L10 at 40C) Weight: ~ 5.4 lbs. m0 | |
| Impeller | PBT, UL94V-0 plastic | | |
| Connection | 2x Lead Wires or Terminals | | |
| Motor | Capacitor drive, thermally protected | | |
| Bearing System | Dual ball | | |
| Insulation Resistance | >100M ohm between lead-wire and frame (500VDC) | | |
| Dielectric Strength | 1 min at 1,500 VAC, 50/60Hz | | |

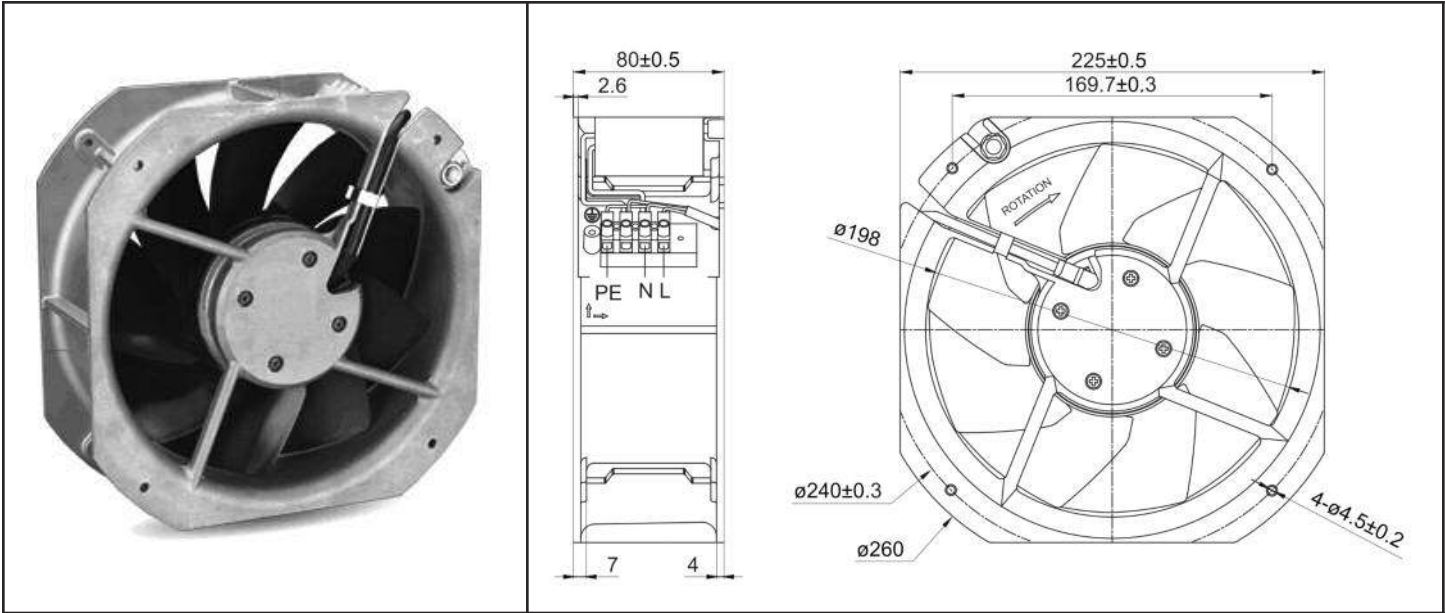
| Model Number | Speed (RPM) | Airflow (CFM) | Noise (dB) | Volts AC | Voltage Range | Watts | Max. Static Pressure ("H ₂ O) |
|-------------------|-------------|---------------|------------|----------|---------------|-------|--|
| OA254AN-11-1 * XC | 2,700 | 850 | 69 | 115 | 80~130 | 75 | 0.78 |
| OA254AN-11-1 * | 2,200 | 700 | 65 | 115 | 80~130 | 70 | 0.53 |
| OA254AN-11-2 * | 2,000 | 600 | 55 | 115 | 80~130 | 45 | 0.45 |
| OA254AN-11-3 * | 1100 | 320 | 48 | 115 | 80~130 | 32 | 0.14 |
| OA254AN-22-1 * XC | 2,700 | 850 | 69 | 230 | 160~260 | 75 | 0.78 |
| OA254AN-22-1 * | 2,200 | 700 | 65 | 230 | 160~260 | 70 | 0.53 |
| OA254AN-22-2 * | 2,000 | 600 | 55 | 230 | 160~260 | 45 | 0.45 |
| OA254AN-22-3 * | 1100 | 320 | 48 | 230 | 160~260 | 32 | 0.14 |

* Indicate "TB" for terminal type or "WB" for Wire leads (300mm)

OA225 Series



AC Fan - 115V, 230V
225 x 80mm (8.86" x 3.15")



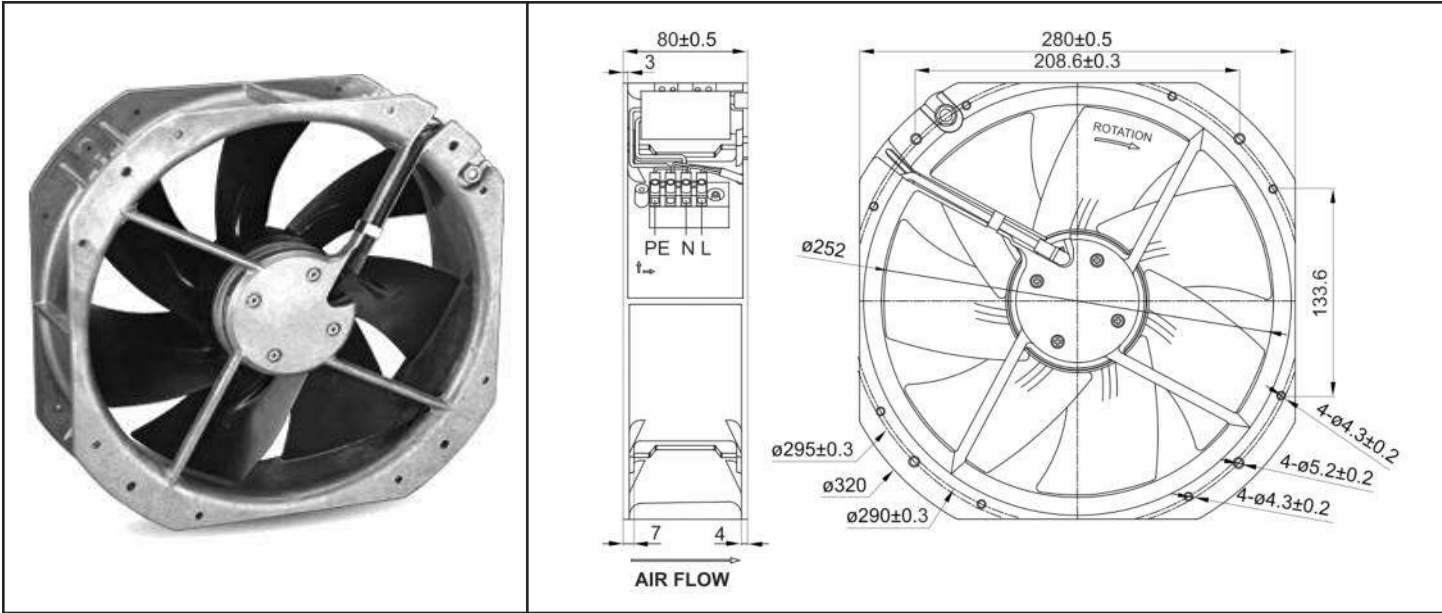
| | | | |
|---------------------|--------------------------------------|--|--|
| Frame | Diecast Aluminum | <u>Operating Temperature</u> Ball Bearing -40C ~ +80C Storage Temp -40C ~ +80C <u>Life Expectancy</u> Ball Bearing 40,000 hours (L10 at 40C) Environmental: IP55 Rated Weight: ~ 4.7 lbs. | |
| Impeller | Metal | | |
| Connection | Terminal Block, 18AWG | | |
| Motor | Capacitor drive, thermally protected | | |
| Bearing System | Dual ball | | |
| Insulation | Class F | | |
| Dielectric Strength | 1 min at 1,500 VAC, 50/60Hz | | |

| Part Number | OA225AN-11-1TB18 | OA225AN-22-1TB18 |
|------------------------------|--------------------------------|--------------------------------|
| Nominal Voltage | 115VAC | 230VAC |
| Voltage Range | 100 ~ 125VAC | 200 ~ 240VAC |
| Rated Power | 65 / 72 W | 74 / 80 W |
| Nominal Current | 0.58 / 0.70 A | 0.29 / 0.35 A |
| Rated Speed (RPM) 50/60Hz | 2,550 / 2,800 | 2,550 / 2,800 |
| Airflow (CFM) 50/60Hz | 530 / 600 | 530 / 600 |
| Noise Level (dB) 50/60HZ | 59 / 61 | 59 / 61 |
| Max. Static Pressure 50/60Hz | 0.67" / 0.55" H ₂ O | 0.67" / 0.55" H ₂ O |

OA280 Series



AC Fan - 115V, 230V
280 x 80mm (11.0" x 3.15")




| | | | |
|---------------------|--------------------------------------|--|--|
| Frame | Diecast Aluminum | <u>Operating Temperature</u> Ball Bearing -40C ~ +80C Storage Temp -40C ~ +80C <u>Life Expectancy</u> Ball Bearing 40,000 hours (L10 at 40C) Environmental: IP55 Rated Weight: ~ 6.2 lbs. | |
| Impeller | Metal | | |
| Connection | Terminal Block, 18AWG | | |
| Motor | Capacitor drive, thermally protected | | |
| Bearing System | Dual ball | | |
| Insulation | Class F | | |
| Dielectric Strength | 1 min at 1,500 VAC, 50/60Hz | | |


| Part Number | OA280AN-11-1TB18 | OA280AN-22-1TB18 |
|----------------------|------------------------|------------------------|
| Nominal Voltage | 115VAC | 230VAC |
| Voltage Range | 100 ~ 125VAC | 200 ~ 240VAC |
| Rated Power | 148 W | 158 W |
| Nominal Current | 1.5 A | 0.82 A |
| Rated Speed (RPM) | 2,700 | 2,700 |
| Airflow (CFM) | 1,130 | 1,130 |
| Noise Level (dB) | 70 | 70 |
| Max. Static Pressure | 0.78" H ₂ O | 0.78" H ₂ O |


Dual Voltage Fans





115/230 Volts AC
80mm - 120mm (3.15" - 4.7")


|  | Model Number | Speed (RPM) | Airflow (CFM) | Noise (dB) | Volts AC | Voltage Range | Watts | Max. Static Pressure ("H ₂ O) |
|---|-------------------|-------------|---------------|------------|----------|-------------------|-------|--|
| | 80 x 25 | | | | | | | |
| | OA825AP-11/22-1WB | 3,000 | 25 | 28 | 115/230 | 100-120 / 200-240 | 9 | .21 |
| | OA825AP-11/22-2WB | 2,300 | 18 | 24 | 115/230 | 100-120 / 200-240 | 6 | .14 |
| | OA825AP-11/22-3WB | 1,900 | 16 | 19 | 115/230 | 100-120 / 200-240 | 4 | .11 |

|  | Model Number | Speed (RPM) | Airflow (CFM) | Noise (dB) | Volts AC | Voltage Range | Watts | Max. Static Pressure ("H ₂ O) |
|---|------------------|-------------|---------------|------------|----------|-------------------|-------|--|
| | 80 x 38 | | | | | | | |
| | OA80AP-11/22-1WB | 3,000 | 31 | 29 | 115/230 | 100-120 / 200-240 | 12 | 0.24 |
| | OA80AP-11/22-2WB | 2,300 | 23 | 22 | 115/230 | 100-120 / 200-240 | 9 | 0.15 |
| | OA80AP-11/22-3WB | 1,600 | 17 | 18 | 115/230 | 100-120 / 200-240 | 5 | 0.10 |

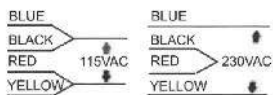
|  | Model Number | Speed (RPM) | Airflow (CFM) | Noise (dB) | Volts AC | Voltage Range | Watts | Max. Static Pressure ("H ₂ O) |
|---|------------------|-------------|---------------|------------|----------|-------------------|-------|--|
| | 92 x 25 | | | | | | | |
| | OA92AP-11/22-1WB | 3,000 | 35 | 30 | 115/230 | 100-120 / 200-240 | 13 | .20 |
| | OA92AP-11/22-2WB | 2,300 | 27 | 22 | 115/230 | 100-120 / 200-240 | 10 | .14 |
| | OA92AP-11/22-3WB | 1,900 | 22 | 19 | 115/230 | 100-120 / 200-240 | 6 | .09 |

|  | Model Number | Speed (RPM) | Airflow (CFM) | Noise (dB) | Volts AC | Voltage Range | Watts | Max. Static Pressure ("H ₂ O) |
|---|-------------------|-------------|---------------|------------|----------|-------------------|-------|--|
| | 92 x 38 | | | | | | | |
| | OA938AP-11/22-1WB | 3,100 | 50 | 32 | 115/230 | 100-120 / 200-240 | 9 | .22 |
| | OA938AP-11/22-2WB | 2,400 | 39 | 23 | 115/230 | 100-120 / 200-240 | 5 | .17 |
| | OA938AP-11/22-3WB | 1,800 | 26 | 19 | 115/230 | 100-120 / 200-240 | 3 | .10 |

|  | Model Number | Speed (RPM) | Airflow (CFM) | Noise (dB) | Volts AC | Voltage Range | Watts | Max. Static Pressure ("H ₂ O) |
|---|-------------------|-------------|---------------|------------|----------|-------------------|-------|--|
| | 120 x 25 | | | | | | | |
| | OA125AP-11/22-1WB | 2,900 | 81 | 32 | 115/230 | 100-120 / 200-240 | 13 | .23 |
| | OA125AP-11/22-2WB | 2,300 | 60 | 27 | 115/230 | 100-120 / 200-240 | 10 | .18 |
| | OA125AP-11/22-3WB | 1,600 | 42 | 22 | 115/230 | 100-120 / 200-240 | 6 | .12 |

|  | Model Number | Speed (RPM) | Airflow (CFM) | Noise (dB) | Volts AC | Voltage Range | Watts | Max. Static Pressure ("H ₂ O) |
|---|-------------------|-------------|---------------|------------|----------|-------------------|-------|--|
| | 120 x 38 | | | | | | | |
| | OA109AP-11/22-1WB | 3,000 | 110 | 42 | 115/230 | 100-120 / 200-240 | 15 | .28 |
| | OA109AP-11/22-2WB | 2,300 | 71 | 35 | 115/230 | 100-120 / 200-240 | 11 | .24 |
| | OA109AP-11/22-3WB | 1,600 | 51 | 25 | 115/230 | 100-120 / 200-240 | 8 | .15 |

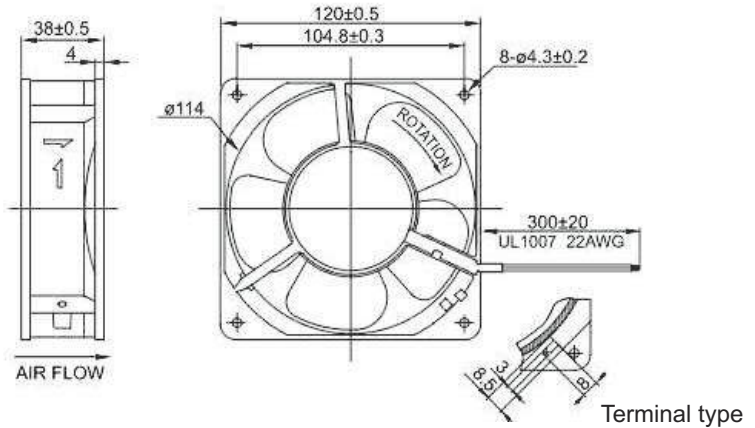
Dual voltage fans are connected via 4 power leads. They can be configured for switchable operation.



OA109AP-IP55



AC Fan - 115V,230V
120 x 38mm (4.7"x1.5")



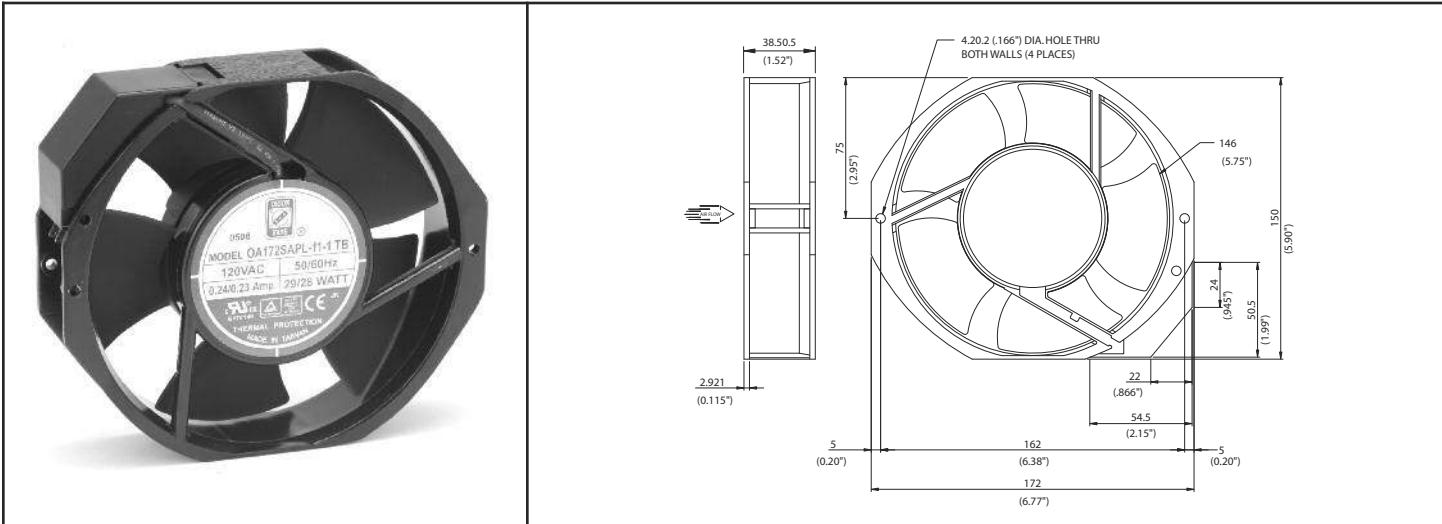
| | | | |
|-----------------------|---------------------------------------|--|--|
| Frame | Diecast Aluminum | <u>Operating Temperature</u> -20C ~ +70C <u>Life Expectancy</u> >40,000 hours (L10, 40C) Rated IP55 Class B Insulation Weight: ~ 1.05 lbs. | |
| Impeller | PBT, UL94V-O plastic | | |
| Connection | Terminals | | |
| Motor | AC shaded pole, impedance | | |
| Bearing System | Dual ball | | |
| Insulation Resistance | >100M ohm between lead-wire and frame | | |
| Dielectric Strength | 1 min at 1,500 VAC, 50/60Hz | | |

| Model Number | OA109AP-11-1TBIP55 | OA109AP-22-1TBIP55 |
|----------------------|------------------------|------------------------|
| Part Number | 210315302 | 210615302 |
| Nominal Voltage | 115 VAC | 230 VAC |
| Nominal Current | 0.16A | .08A |
| Rated Power | 12 W (60Hz) | 15 W (60Hz) |
| Rated Speed (RPM) | 3,100 | 3,100 |
| Airflow (CFM) | 106 | 106 |
| Noise Level (dB) | 46 | 46 |
| Max. Static Pressure | 0.32" H ₂ O | 0.32" H ₂ O |

OA172SAPL IP55 Series



172 x 150 x 38mm
(6.7"x 5.9"x 1.5")



| | | | |
|------------------------------|--|--|--|
| Frame | Diecast Aluminum | Operating Temperature Ball Bearing -20C ~ +80C Storage Temp -40C ~ +80C Life Expectancy Ball Bearing 60,000 hours (L10 at 40C) Environmental Protection: IP55 Weight: ~ 1.6 lbs. | |
| Impeller | PBT, UL94V-0 plastic | | |
| Connection | 2x Lead Wires or Terminals | | |
| Motor | Capacitor drive, thermally protected | | |
| Bearing System | Dual ball | | |
| Insulation Resistance | >100M ohm between lead-wire and frame (500VDC) | | |
| Dielectric Strength | 1 min at 1,500 VAC, 50/60Hz | | |

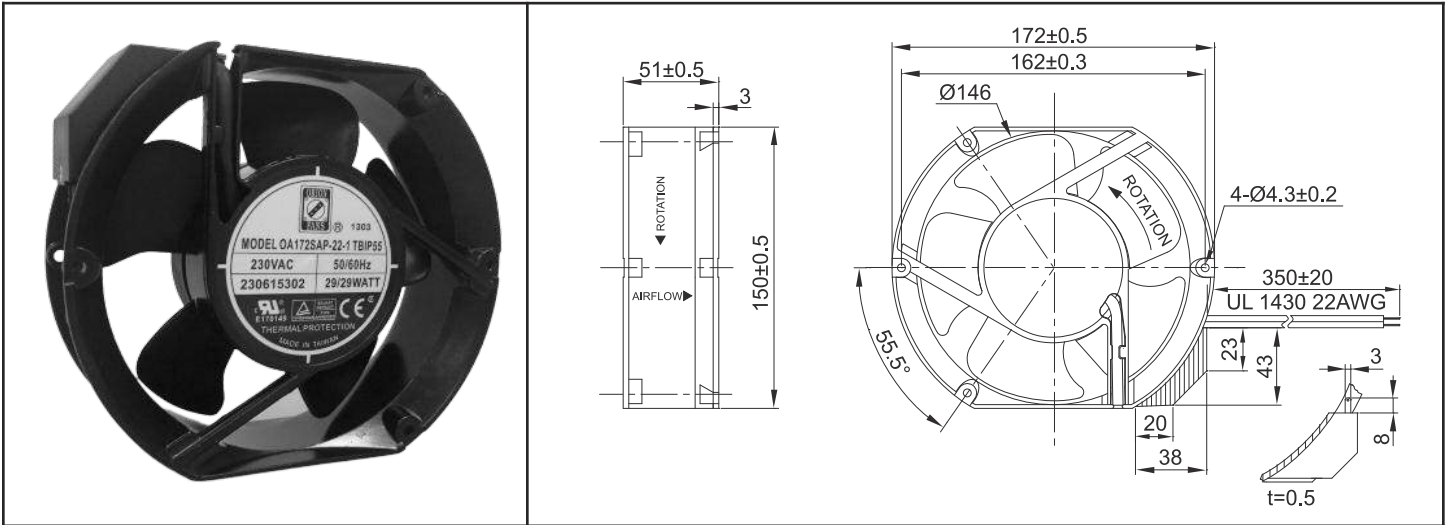
| Model Number | Speed (RPM) | Airflow (CFM) | Noise (dB) | Volts AC | Voltage Range | Watts | Max. Static Pressure (\"H ₂ O) |
|----------------------|-------------|---------------|------------|----------|---------------|-------|---|
| OA172SAPL-11-1 *IP55 | 3,400 | 228 | 58 | 115 | 103~126 | 28 | 0.87 |
| OA172SAPL-11-2 *IP55 | 2,750 | 162 | 50 | 115 | 103~126 | 27 | 0.35 |
| OA172SAPL-11-3 *IP55 | 1,700 | 103 | 44 | 115 | 103~126 | 26 | 0.26 |
| OA172SAPL-22-1 *IP55 | 3,400 | 228 | 58 | 230 | 160~260 | 28 | 0.87 |
| OA172SAPL-22-3 *IP55 | 1,700 | 103 | 44 | 230 | 160~260 | 26 | 0.26 |

* Indicate "TB" for Terminal type or "WB" for Wire Leads

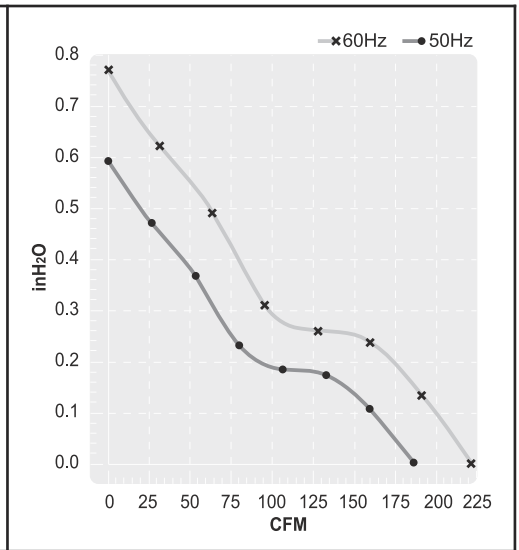
OA172SAP Series - IP55



AC Fan - 115V, 230V
172x150x51mm (6.7"x 5.9"x 2.0")



| | | |
|-----------------------|---|--|
| Frame | Diecast Aluminum | Operating Temperature -20C ~ +70C Life Expectancy Ball Bearing 40,000 hours (L10 at 40C) Rated IP55 Class B insulation Weight: ~ 2.6 lbs. m4 |
| Impeller | PBT, UL94V-O plastic | |
| Connection | Terminals | |
| Motor | AC Capacitor, Thermally protected, Class B insulation | |
| Bearing System | Dual ball bearing | |
| Insulation Resistance | >100M ohm between lead-wire and frame (500VDC) | |
| Dielectric Strength | 1,500V / 1 min | |

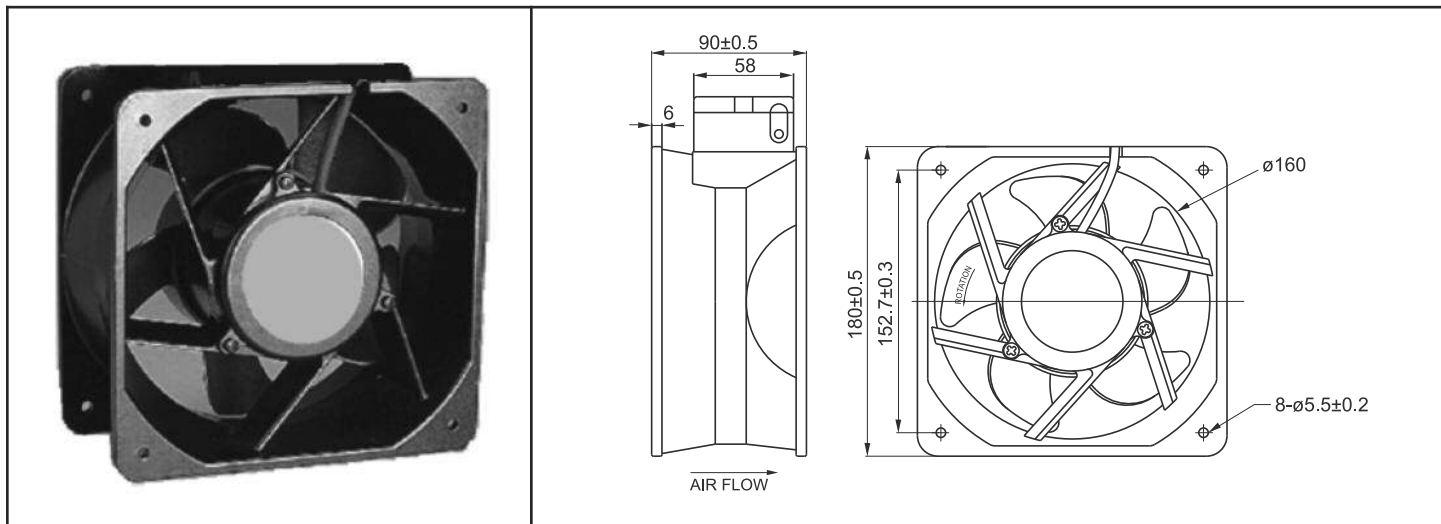


| Model Number | OA172SAP-11-1TBIP55 | OA172SAP-22-1TBIP55 |
|----------------------|------------------------|------------------------|
| Part Number | 230315302 | 230615302 |
| Nominal Voltage | 115 VAC | 230 VAC |
| Voltage Range | 103 ~ 126 VAC | 207 ~ 253 VAC |
| Rated Current | 0.25 A | 0.12 A |
| Locked Current | 0.43 A | 0.19A |
| Rated Power | 31 W | 29 W |
| Rated Speed (RPM) | 3,400 | 3,400 |
| Airflow - CFM | 226 | 226 |
| Noise Level - (dB) | 58 | 58 |
| Max. Static Pressure | 0.79" H ₂ O | 0.79" H ₂ O |

OA180AP-22-1TB IP55



AC Fan - 230V
180 x 90mm (7.1" x 3.5")



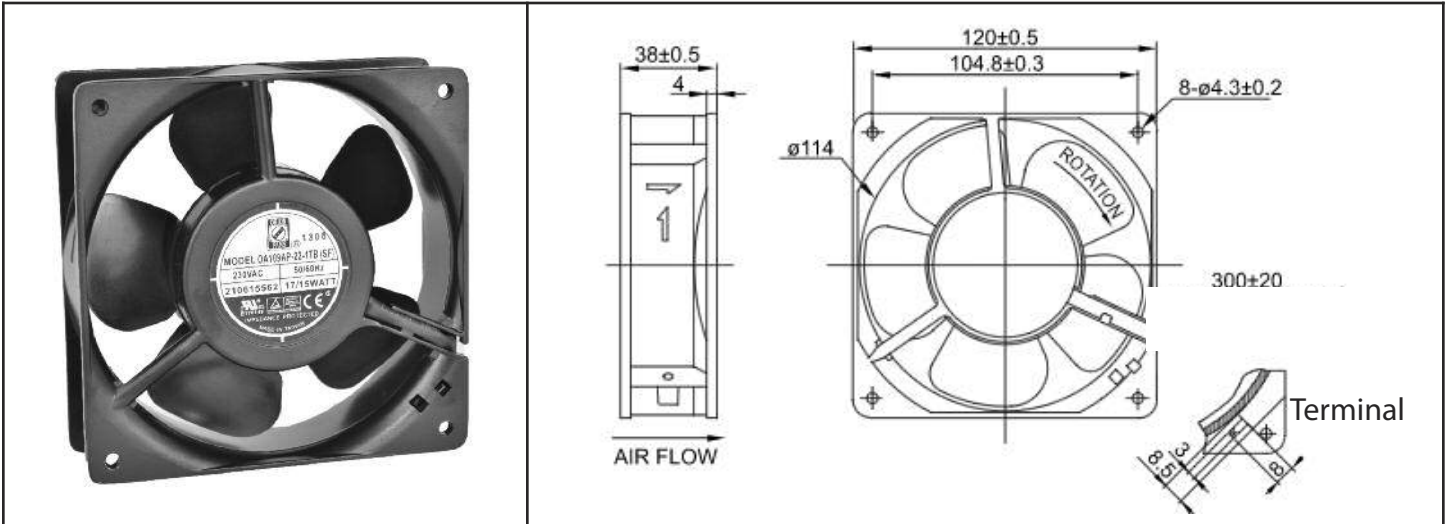
| | | | |
|-----------------------|---|--|--|
| Frame | Diecast Aluminum | <u>Operating Temperature</u> -20C ~ +80C <u>Life Expectancy</u> Ball Bearing 60,000 hours (L10 at 40C) Rated IP55 Class B insulation Weight: ~ 4.0 lbs. m2 | |
| Impeller | PBT, UL94V-O plastic | | |
| Connection | Terminals | | |
| Motor | AC Capacitor, Impedanca and thermally protected | | |
| Bearing System | Dual ball bearing | | |
| Insulation Resistance | >100M ohm between lead-wire and frame (500VDC) | | |
| Dielectric Strength | 1 min at 1,500 VAC, 50/60Hz | | |

| | |
|----------------------|------------------------|
| Model Number | OA180AP-22-1TB-IP55 |
| Part Number | 218615302 |
| Nominal Voltage | 230 |
| Voltage Range | 120 ~ 260 VAC |
| Rated Current | 0.32 A (1.01 A locked) |
| Rated Power | 72 W |
| Rated Speed (RPM) | 3,400 |
| Airflow - CFM | 460 |
| Noise Level - (dB) | 59 |
| Max. Static Pressure | 1.1" H ₂ O |

OA109 Series - Salt Fog



AC Fan - 115V, 230V
120 x 38mm (4.7" x 1.5")



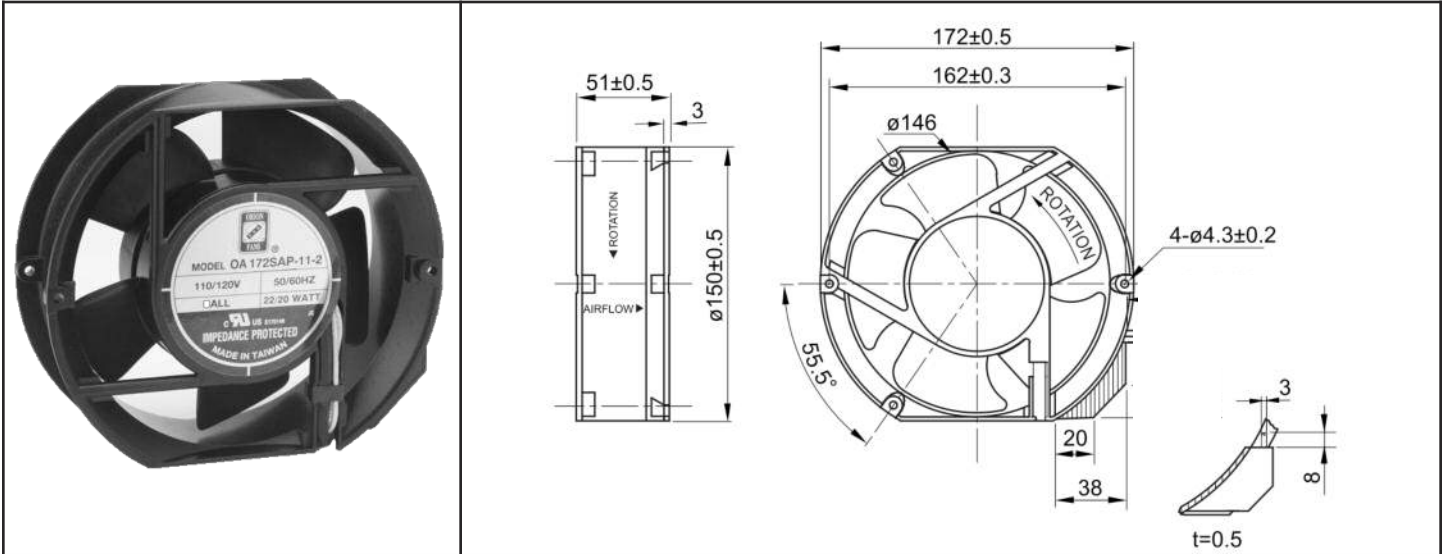
| | | | |
|-----------------------|---|--|--|
| Frame | Diecast Aluminum | <u>Environmental Protection</u> SALT FOG RATED (SF) <u>Operating Temperature</u> -20C ~ +70C Storage Temp -30C ~ +80C <u>Life Expectancy</u> >40,000 hours (L10, 40C) Weight: ~ 1.14 lbs m2 | |
| Impeller | PBT, UL94V-0 plastic | | |
| Connection | Terminals | | |
| Motor | AC shaded pole, impedance protected | | |
| Bearing System | Dual Ball | | |
| Insulation Resistance | >100m ohm between leadwire and frame (500VDC) | | |
| Dielectric Strength | 1 min at 1,500 VAC, 50/60Hz | | |

| Model Number | OA109AP-11-1TBSF | OA109AP-22-1TBSF |
|----------------------|------------------------|------------------------|
| Part Number | 210315562 | 210615562 |
| Nominal Voltage | 115 VAC | 230 VAC |
| Nominal Current | 0.16 A | 0.08 A |
| Rated Power | 12 W (60Hz) | 15 W (60Hz) |
| Rated Speed (RPM) | 3,100 | 3,100 |
| Airflow (CFM) | 106 | 106 |
| Noise Level (dB) | 46 | 46 |
| Max. Static Pressure | 0.32" H ₂ O | 0.32" H ₂ O |

OA172S Series - Salt Fog



AC Fan - 115V, 230V
172 x 150 x 51mm (6.7"x 5.9"x 2")



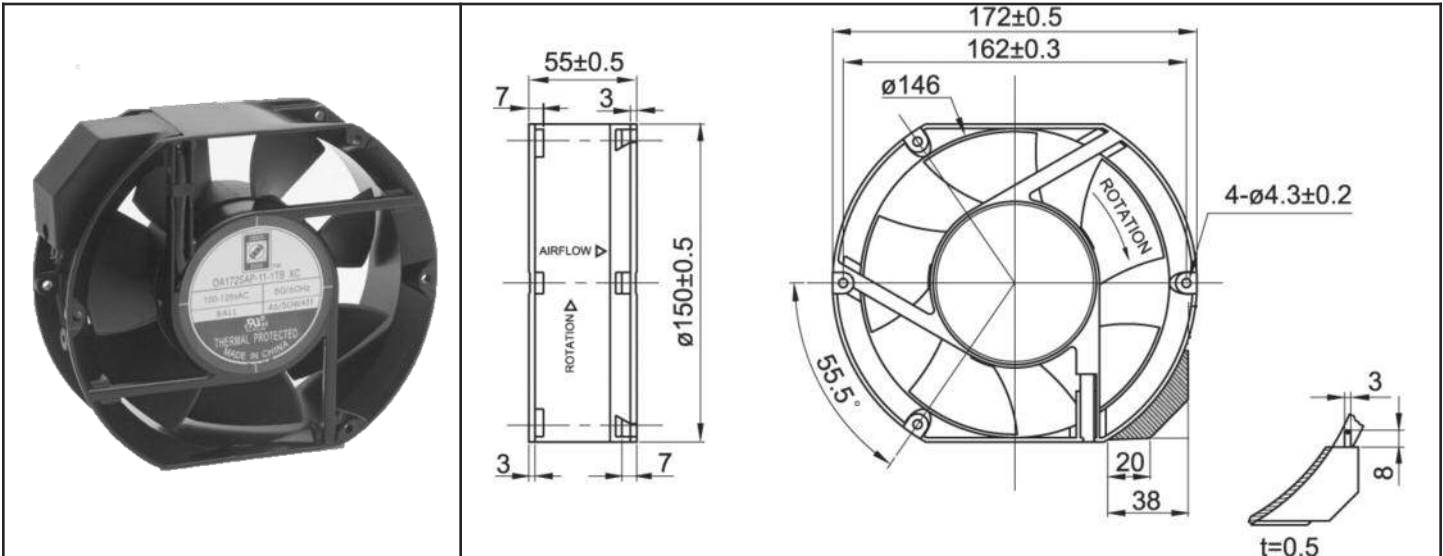
| | | | |
|-----------------------|--|---|--|
| Frame | Diecast Aluminum | Environmental Protection SALT FOG RATED | |
| Impeller | PBT, UL94V-0 plastic | | |
| Connection | Terminals | Operating Temperature -20C ~ +70C Storage Temp -30C ~ +80C | |
| Motor | AC Capacitor drive, Thermally protected | Life Expectancy >40,000 hours (L10, 40C) | |
| Bearing System | Dual ball bearing | Weight: ~ 1.9 lbs | |
| Insulation Resistance | >100M ohm between lead-wire and frame (500VDC) | m2 | |
| Dielectric Strength | 1 min at 1,500 VAC,50/60 Hz | | |

| Model Number | OA172SAP-11-1TBSF | OA172SAP-22-1TBSF |
|--|-------------------|-------------------|
| Part Number | 230315562 | 230615562 |
| Nominal Voltage | 115 VAC | 230 VAC |
| Voltage Range | 103 ~ 126 VAC | 207 ~ 253 VAC |
| Rated Current | 0.25 A | 0.12 A |
| Locked Current | 0.43 A | 0.19 A |
| Rated Power | 31 W | 29 W |
| Rated Speed (RPM) | 3,400 | 3,400 |
| Airflow (CFM) | 226 | 226 |
| Noise Level (dB) | 58 | 58 |
| Max. Static Pressure (\" H ₂ O) | 0.79 | 0.79 |

OA172 XC Series - Salt Fog



AC Fan - 115V, 230V
172 x 150 x 55mm (6.7"x 5.9"x 2.2")



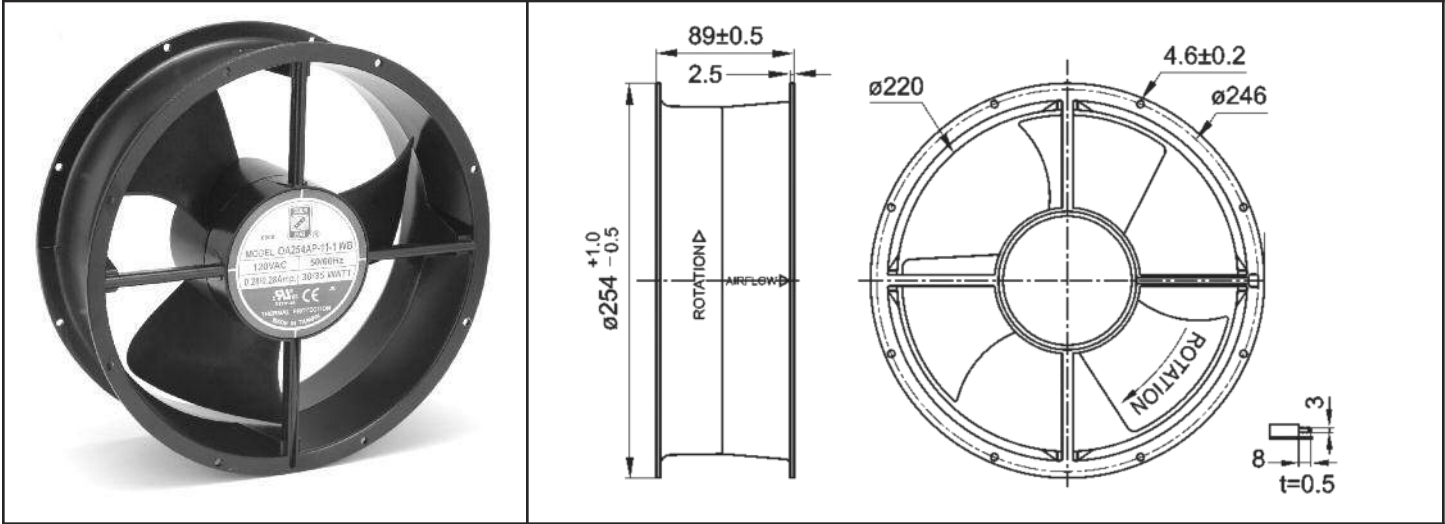
| | | | |
|-----------------------|--|--|--|
| Frame | Diecast Aluminum | <u>Environmental Protection</u> SALT FOG RATED | |
| Impeller | PBT, UL94V-0 plastic | | |
| Connection | Terminals | <u>Operating Temperature</u> -20C ~ +70C Storage Temp -30C ~ +80C | |
| Motor | AC Capacitor drive, Thermally protected | <u>Life Expectancy</u> >40,000 hours (L10, 40C) | |
| Bearing System | Dual ball bearing | Weight: ~ 2.4 lbs m2 | |
| Insulation Resistance | >100M ohm between lead-wire and frame (500VDC) | | |
| Dielectric Strength | 1 min at 1,500 VAC,50/60 Hz | | |

| Model Number | OA172SAP-11-1TBXCSF | OA172SAP-22-1TBXCSF |
|--|---------------------|---------------------|
| Part Number | 230385562 | 230685562 |
| Nominal Voltage | 115 VAC | 230 VAC |
| Voltage Range | 103 ~ 126 VAC | 207 ~ 253 VAC |
| Rated Current | 0.34 A | 0.17 A |
| Locked Current | 0.76 A | 0.38 A |
| Rated Power | 38 W | 38 W |
| Rated Speed (RPM) | 3,400 | 3,400 |
| Airflow (CFM) | 293 | 293 |
| Noise Level (dB) | 60 | 60 |
| Max. Static Pressure (\" H ₂ O) | 0.90 | 0.90 |

OA254 Series - Salt Fog



AC Fan - 115V, 230V
254 x 89mm (10.0" x 3.5")



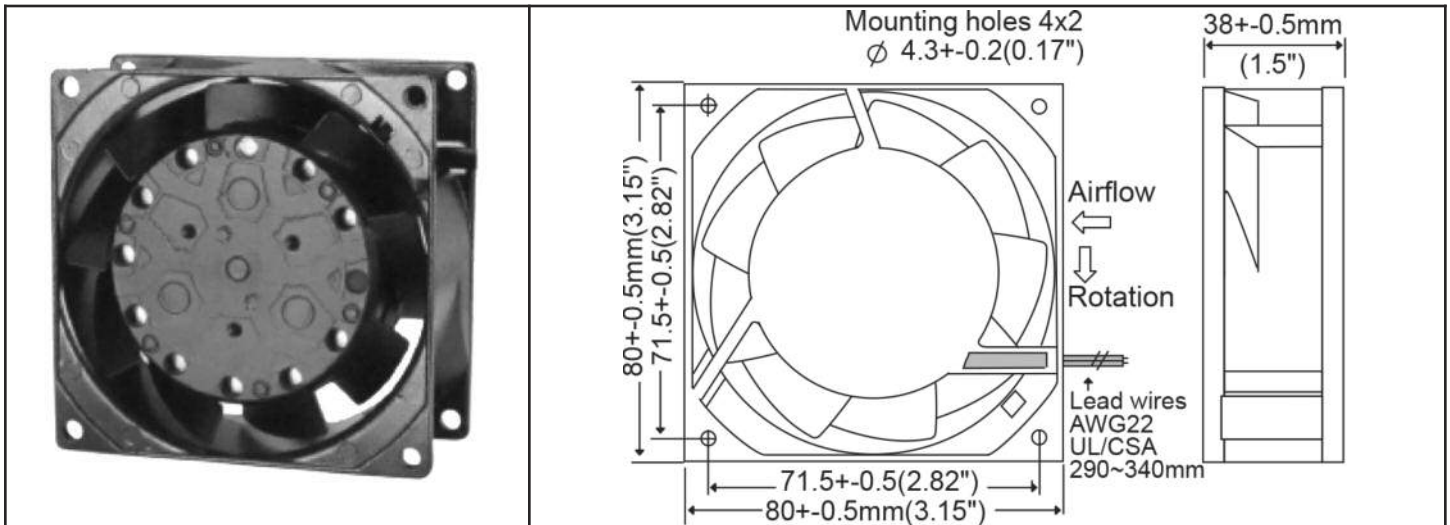
| | | | |
|-----------------------|--|---|--|
| Frame | Diecast Aluminum | Environmental Protection SALT FOG RATED (SF) Operating Temperature Ball Bearing -20C ~ +80C Storage Temp -30C ~ +80C Life Expectancy Ball Bearing 60,000 hours (L10 at 40C) Weight: ~ 4.3 lbs m2 | |
| Impeller | PBT, UL94V-0 plastic | | |
| Connection | Terminals | | |
| Motor | Capacitor drive, thermally protected | | |
| Bearing System | Dual ball | | |
| Insulation Resistance | >100M ohm between lead-wire and frame (500VDC) | | |
| Dielectric Strength | 1 min at 1,500 VAC, 50/60Hz | | |

| Model Number | OA254AP-11-1TBSF | OA254AP-22-1TBSF |
|----------------------|------------------------|------------------------|
| Part Number | 254315562 | 254615562 |
| Nominal Voltage | 115VAC | 230VAC |
| Current (Amps) | 0.29 A (0.51 locked) | 0.14 A (0.25 locked) |
| Rated Power | 33 W | 33 W |
| Rated Speed | 1,650 | 1,650 |
| Airflow - CFM | 550 | 550 |
| Noise Level - dB | 55 | 55 |
| Max. Static Pressure | 0.40" H ₂ O | 0.40" H ₂ O |

OA80 Series - All Metal



AC Fan - 115V, 230V
80 x 38mm (3.15" x 1.5")



| | | | |
|-----------------------|--|--|--|
| Frame | Diecast Aluminum | Operating Temperature Ball Bearing -30C ~ +80C (non-condensing) Storage Temp -40C ~ +100C | |
| Impeller | Metal Alloy | | |
| Connection | 2x Lead Wires 22 AWG or terminals | Life Expectancy Ball Bearing 50,000 hours (L10 at 55C) | |
| Motor | Shaded pole, impedance protected | Environmental Protection IP55 | |
| Bearing System | Dual ball bearing | Weight: ~ 0.95 lbs | |
| Insulation Resistance | >100M ohm between lead-wire and frame (500VDC) | m0 | |
| Dielectric Strength | 1 min at 1,500 VAC, 50/60Hz | | |

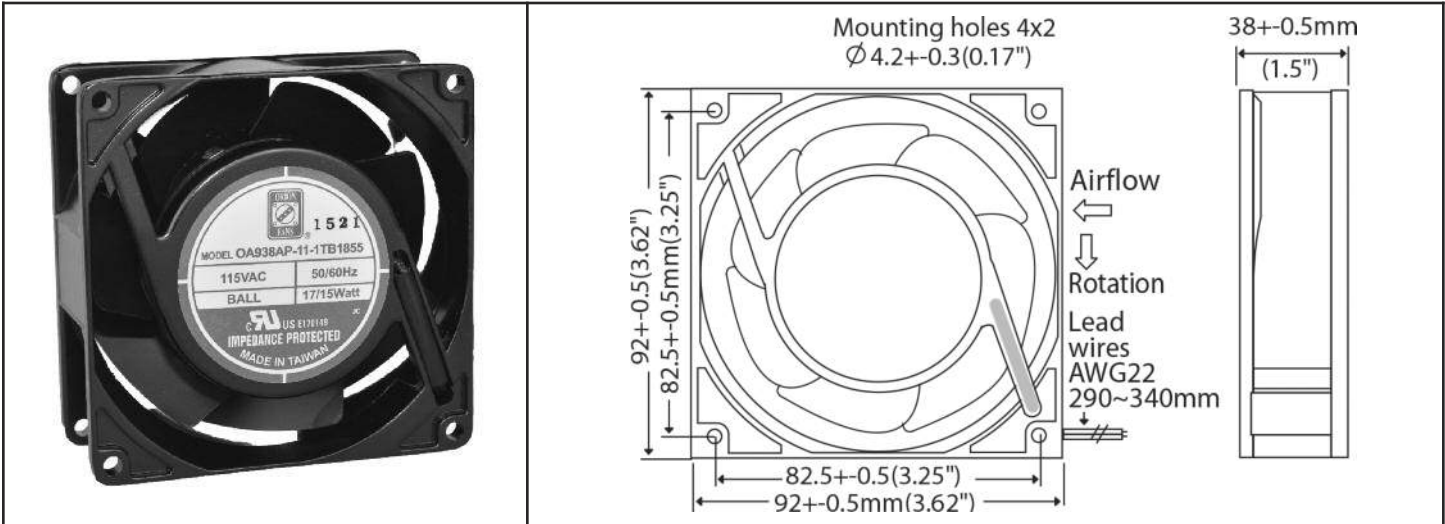
| Model Number | Speed (RPM) | Airflow (CFM) | Noise (dB) | Volts AC | Voltage Range | Watts | Max. Static Pressure ("H ₂ O) | Curves |
|--------------------|----------------|---------------|------------|----------|---------------|----------|--|----------------------|
| OA80AP-11-1 * 1855 | 2,750 3,200 | 28 33 | 35 | 115 | 100~120 | 15 13 | 0.22 | 2 (50Hz) 1 (60Hz) |
| OA80AP-11-2 * 1855 | 2,200 2,500 | 23 26 | 30 | 115 | 100~120 | 12 10 | 0.16 | 4 (50Hz) 3 (60Hz) |
| OA80AP-11-3 * 1855 | 1,700 1,900 | 18 21 | 23 | 115 | 100~120 | 8 6 | 0.07 | 6 (50Hz) 5 (60Hz) |
| OA80AP-22-1 * 1855 | 2,750 3,200 | 28 33 | 35 | 230 | 200~240 | 15 13 | 0.22 | 2 (50Hz) 1 (60Hz) |
| OA80AP-22-2 * 1855 | 2,200 2,500 | 23 26 | 30 | 230 | 200~240 | 12 10 | 0.16 | 4 (50Hz) 3 (60Hz) |
| OA80AP-22-3 * 1855 | 1,700 1,900 | 18 21 | 23 | 230 | 200~240 | 8 6 | 0.07 | 6 (50Hz) 5 (60Hz) |

* Indicate "TB" for terminal type or "WB" for lead wires

OA938 Series - All Metal



AC Fan - 115V, 230V
92 x 38mm (3.62" x 1.5")



| | | | |
|-----------------------|--|--|--|
| Frame | Diecast Aluminum | Operating Temperature Ball Bearing -30C ~ +80C (non-condensing) Storage Temp -40C ~ +100C | |
| Impeller | Metal Alloy | | |
| Connection | 2x Lead Wires 22 AWG or terminals | Life Expectancy Ball Bearing 50,000 hours (L10 at 55C) | |
| Motor | Shaded pole, impedance protected | Environmental Protection IP55 | |
| Bearing System | Dual ball bearing | Weight: ~ 1.1 lbs | |
| Insulation Resistance | >100M ohm between lead-wire and frame (500VDC) | | |
| Dielectric Strength | 1 min at 1,500 VAC, 50/60Hz | m0 | |

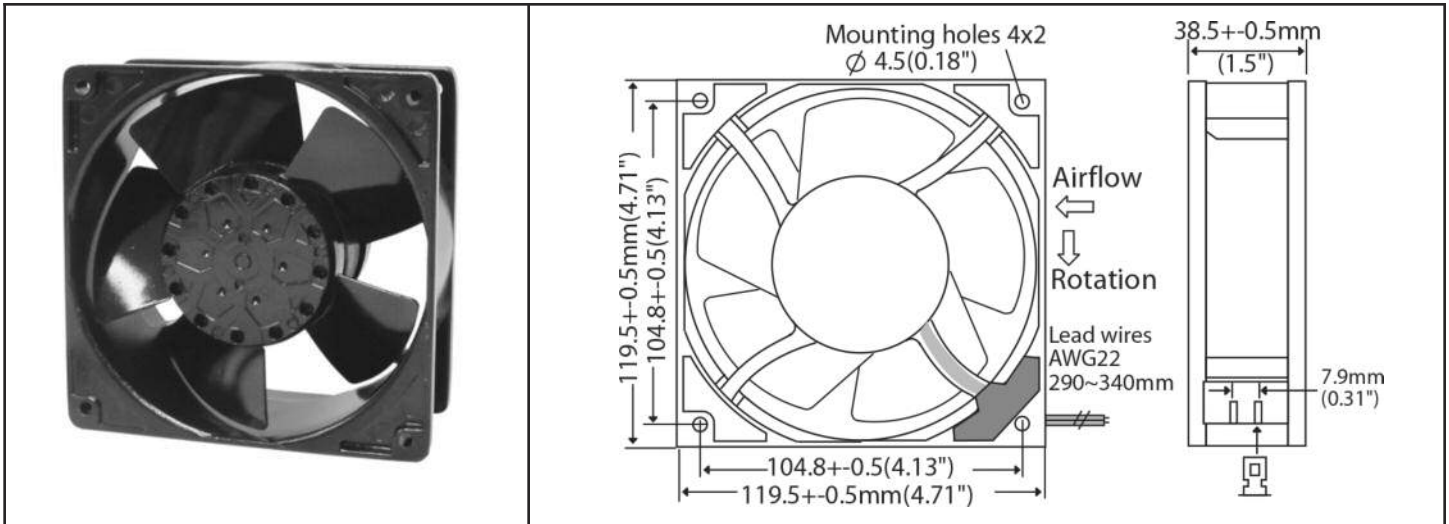
| Model Number | Speed (RPM) | Airflow (CFM) | Noise (dB) | Volts AC | Voltage Range | Watts | Max. Static Pressure ("H ₂ O) | Curves |
|---------------------|----------------|---------------|------------|----------|---------------|----------|--|----------------------|
| OA938AP-11-1 * 1855 | 2,700 3,150 | 45 55 | 40 | 115 | 100~120 | 17 15 | 0.17 0.22 | 2 (50Hz) 1 (60Hz) |
| OA938AP-11-2 * 1855 | 2,350 2,600 | 36 42 | 33 | 115 | 100~120 | 13 11 | 0.14 0.16 | 4 (50Hz) 3 (60Hz) |
| OA938AP-11-3 * 1855 | 1,950 1,850 | 29 27 | 23 | 115 | 100~120 | 9 7 | 0.12 0.11 | 6 (50Hz) 5 (60Hz) |
| OA938AP-22-1 * 1855 | 2,700 3,150 | 45 55 | 40 | 230 | 200~240 | 17 15 | 0.17 0.22 | 2 (50Hz) 1 (60Hz) |
| OA938AP-22-2 * 1855 | 2,350 2,600 | 36 42 | 33 | 230 | 200~240 | 13 11 | 0.14 0.16 | 4 (50Hz) 3 (60Hz) |
| OA938AP-22-3 * 1855 | 1,950 1,850 | 29 27 | 23 | 230 | 200~240 | 9 7 | 0.12 0.11 | 6 (50Hz) 5 (60Hz) |

* Indicate "TB" for terminal type or "WB" for lead wires

OA109 Series - All Metal



AC Fan - 115V, 230V
120 x 38mm (4.7" x 1.5")



| | | | |
|-----------------------|--|--|--|
| Frame | Diecast Aluminum | Operating Temperature Ball Bearing -30C ~ +80C (non-condensing) Storage Temp -40C ~ +100C | |
| Impeller | Metal Alloy | | |
| Connection | 2x Lead Wires 22 AWG or terminals | | |
| Motor | Shaded pole, impedance protected | Life Expectancy Ball Bearing 50,000 hours (L10 at 55C) | |
| Bearing System | Dual ball bearing | Environmental Protection IP55 | |
| Insulation Resistance | >100M ohm between lead-wire and frame (500VDC) | Weight: ~ 1.3 lbs | |
| Dielectric Strength | 1 min at 1,500 VAC, 50/60Hz | m0 | |

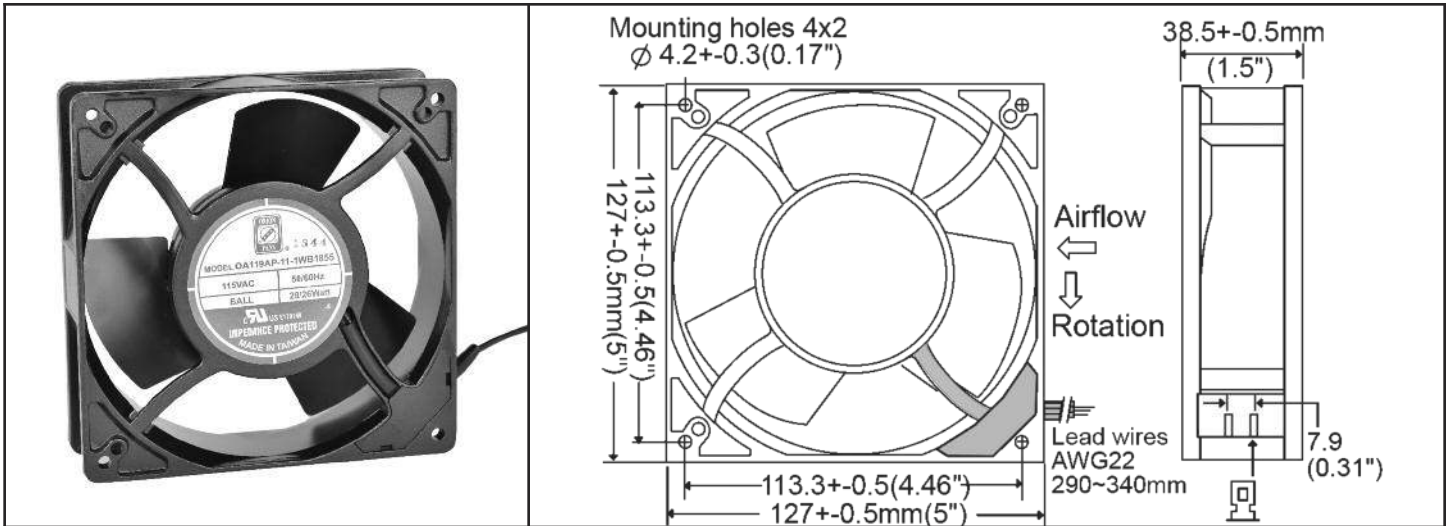
| Model Number | Speed (RPM) | Airflow (CFM) | Noise (dB) | Volts AC | Voltage Range | Watts | Max. Static Pressure ("H ₂ O) | Curves |
|---------------------|----------------|---------------|------------|----------|---------------|----------|--|----------------------|
| OA109AP-11-1 * 1855 | 2,650 3,100 | 90 105 | 48 | 115 | 100~120 | 21 10 | 0.25 0.22 | 2 (50Hz) 1 (60Hz) |
| OA109AP-11-2 * 1855 | 2,400 2,500 | 82 85 | 43 | 115 | 100~120 | 14 13 | 0.17 0.12 | 4 (50Hz) 3 (60Hz) |
| OA109AP-11-3 * 1855 | 1,700 1,800 | 58 60 | 32 | 115 | 100~120 | 12 9 | 0.11 0.09 | 6 (50Hz) 5 (60Hz) |
| OA109AP-22-1 * 1855 | 2,650 3,100 | 90 105 | 48 | 230 | 200~240 | 21 10 | 0.25 0.22 | 2 (50Hz) 1 (60Hz) |
| OA109AP-22-2 * 1855 | 2,400 2,500 | 82 85 | 43 | 230 | 200~240 | 14 13 | 0.17 0.12 | 4 (50Hz) 3 (60Hz) |
| OA109AP-22-3 * 1855 | 1,700 1,800 | 58 60 | 32 | 230 | 200~240 | 12 9 | 0.11 0.09 | 6 (50Hz) 5 (60Hz) |

* Indicate "TB" for terminal type or "WB" for lead wires

OA119 Series - All Metal



AC Fan - 115V, 230V
127 x 38mm (5.0" x 1.5")



| | | | |
|-----------------------|--|--|--|
| Frame | Diecast Aluminum | Operating Temperature Ball Bearing -30C ~ +80C (non-condensing) Storage Temp -40C ~ +100C | |
| Impeller | Metal Alloy | | |
| Connection | 2x Lead Wires 22 AWG or terminals | Life Expectancy Ball Bearing 50,000 hours (L10 at 55C) Environmental Protection IP55 | |
| Motor | Shaded pole, impedance protected | Weight: ~ 1.4 lbs | |
| Bearing System | Dual ball bearing | | |
| Insulation Resistance | >100M ohm between lead-wire and frame (500VDC) | | |
| Dielectric Strength | 1 min at 1,500 VAC, 50/60Hz | m0 | |

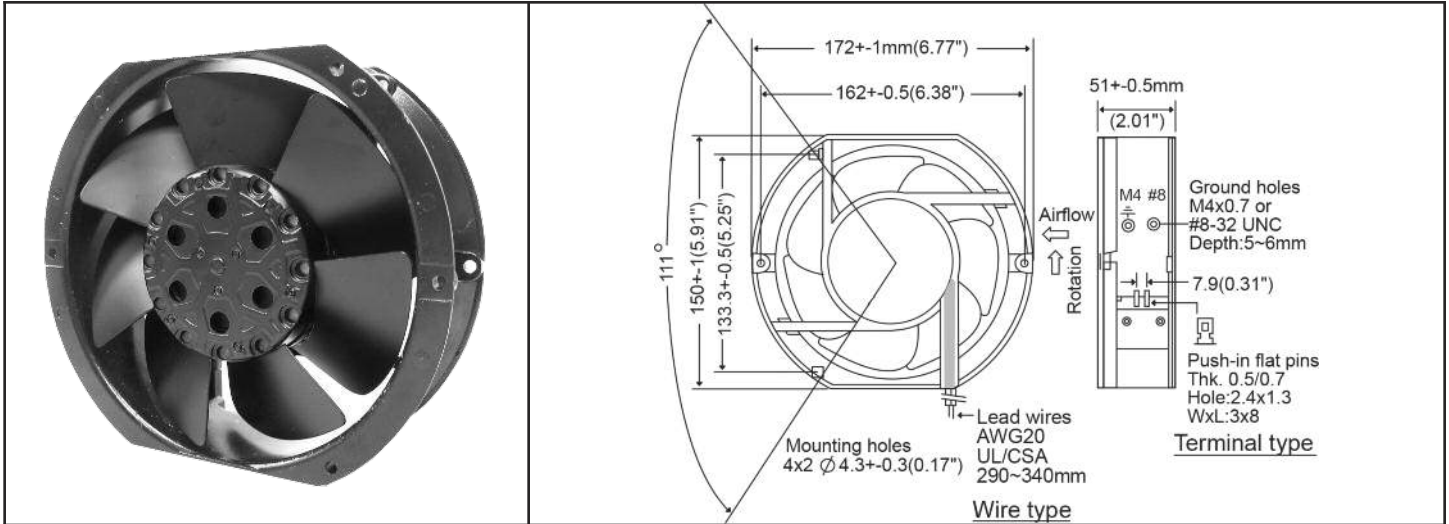
| Model Number | Speed (RPM) | Airflow (CFM) | Noise (dB) | Volts AC | Voltage Range | Watts | Max. Static Pressure ("H ₂ O) | Curves |
|---------------------|----------------|---------------|------------|----------|---------------|----------|--|----------------------|
| OA119AP-11-1 * 1855 | 2,600 2,950 | 110 128 | 48 | 115 | 100~120 | 29 26 | 0.27 0.29 | 2 (50Hz) 1 (60Hz) |
| OA119AP-11-2 * 1855 | 2,300 2,400 | 95 105 | 42 | 115 | 100~120 | 23 20 | 0.23 0.25 | 4 (50Hz) 3 (60Hz) |
| OA119AP-11-3 * 1855 | 1,600 1,500 | 68 65 | 28 | 115 | 100~120 | 18 15 | 0.18 0.16 | 6 (50Hz) 5 (60Hz) |
| OA119AP-22-1 * 1855 | 2,600 2,950 | 110 128 | 48 | 230 | 200~240 | 29 26 | 0.27 0.29 | 2 (50Hz) 1 (60Hz) |
| OA119AP-22-2 * 1855 | 2,300 2,400 | 95 105 | 42 | 230 | 200~240 | 23 20 | 0.23 0.25 | 4 (50Hz) 3 (60Hz) |
| OA119AP-22-3 * 1855 | 1,600 1,500 | 68 65 | 28 | 230 | 200~240 | 18 15 | 0.18 0.16 | 6 (50Hz) 5 (60Hz) |

* Indicate "TB" for terminal type or "WB" for lead wires

OA172S Series - All Metal



AC Fan - 115V, 230V
172 x 150 x 51mm (6.7"x 5.9"x2.0")



| | | | |
|-----------------------|--|--|--|
| Frame | Diecast Aluminum | Operating Temperature Ball Bearing -30C ~ +80C (non-condensing) Storage Temp -40C ~ +100C Life Expectancy Ball Bearing 50,000 hours (L10 at 55C) Environmental Protection IP55 Weight: ~ 2.65 lbs m0 | |
| Impeller | Metal Alloy | | |
| Connection | 2x Lead Wires 20 AWG or terminals | | |
| Motor | Shaded pole, thermally protected | | |
| Bearing System | Dual ball bearing | | |
| Insulation Resistance | >100M ohm between lead-wire and frame (500VDC) | | |
| Dielectric Strength | 1 min at 1,500 VAC, 50/60Hz | | |

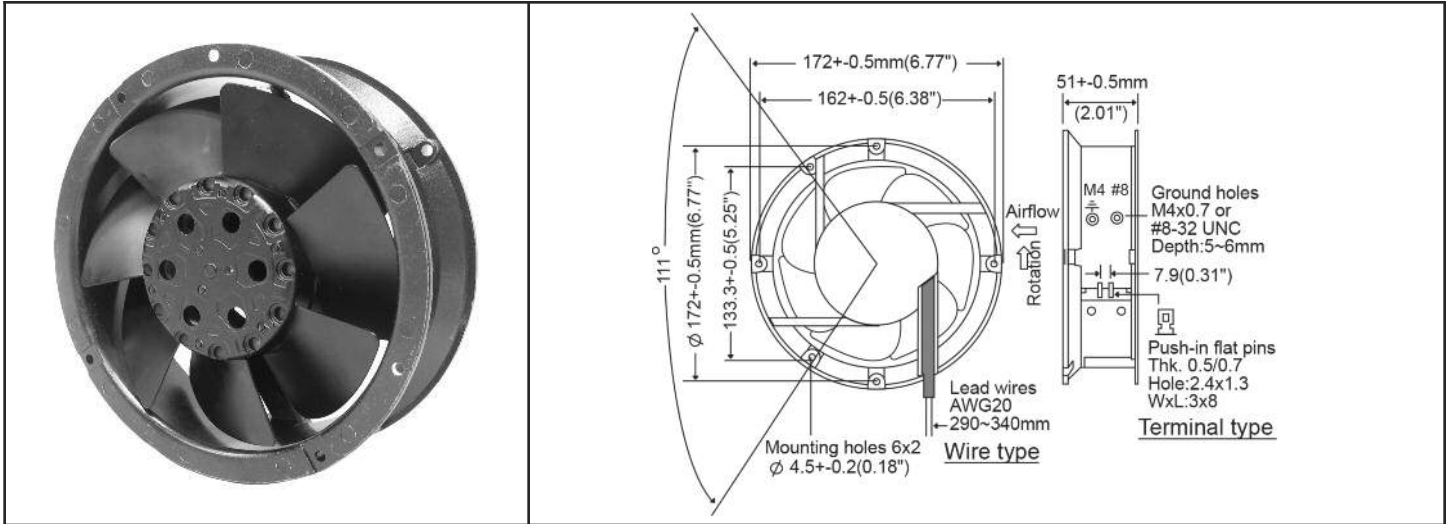
| Model Number | Speed (RPM) | Airflow (CFM) | Noise (dB) | Volts AC | Voltage Range | Watts | Max. Static Pressure ("H ₂ O) | Curves |
|----------------------|----------------|---------------|------------|----------|---------------|----------|--|----------------------|
| OA172SAP-11-1 * 1855 | 2,750 3,100 | 185 210 | 58 | 115 | 100~120 | 47 42 | 0.55 0.49 | 2 (50Hz) 1 (60Hz) |
| OA172SAP-11-2 * 1855 | 2,300 2,400 | 150 160 | 48 | 115 | 100~120 | 35 32 | 0.45 0.38 | 4 (50Hz) 3 (60Hz) |
| OA172SAP-11-3 * 1855 | 1,500 1,600 | 95 105 | 35 | 115 | 100~120 | 23 20 | 0.32 0.26 | 6 (50Hz) 5 (60Hz) |
| OA172SAP-22-1 * 1855 | 2,750 3,100 | 185 210 | 58 | 230 | 200~240 | 47 42 | 0.55 0.49 | 2 (50Hz) 1 (60Hz) |
| OA172SAP-22-2 * 1855 | 2,300 2,400 | 150 160 | 48 | 230 | 200~240 | 35 32 | 0.45 0.38 | 4 (50Hz) 3 (60Hz) |
| OA172SAP-22-3 * 1855 | 1,500 1,600 | 95 105 | 35 | 230 | 200~240 | 23 20 | 0.32 0.26 | 6 (50Hz) 5 (60Hz) |

* Indicate "TB" for terminal type or "WB" for lead wires

OA172 Series - All Metal



AC Fan - 115V, 230V
172 x 51mm (6.7" x 2.0")



| | | | |
|-----------------------|--|--|--|
| Frame | Diecast Aluminum | <p><u>Operating Temperature</u> Ball Bearing -30C ~ +80C (non-condensing) Storage Temp -40C ~ +100C</p> <p><u>Life Expectancy</u> Ball Bearing 50,000 hours (L10 at 55C) Environmental Protection IP55</p> <p>Weight: ~ 2.98 lbs</p> | |
| Impeller | Metal Alloy | | |
| Connection | 2x Lead Wires 22 AWG or terminals | | |
| Motor | Shaded pole, thermally protected | | |
| Bearing System | Dual ball bearing | | |
| Insulation Resistance | >100M ohm between lead-wire and frame (500VDC) | | |
| Dielectric Strength | 1 min at 1,500 VAC, 50/60Hz | | |

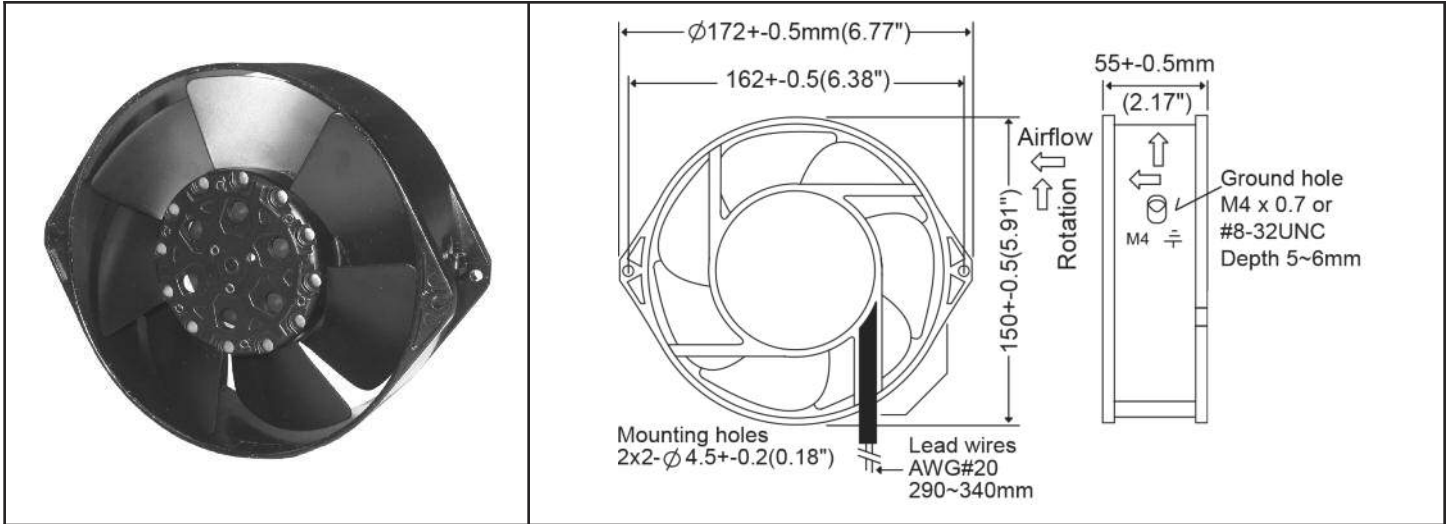
| Model Number | Speed (RPM) | Airflow (CFM) | Noise (dB) | Volts AC | Voltage Range | Watts | Max. Static Pressure ("H ₂ O) | Curves |
|---------------------|----------------|---------------|------------|----------|---------------|----------|--|----------------------|
| OA172AP-11-1 * 1855 | 2,750 3,200 | 190 215 | 59 | 115 | 100~120 | 47 42 | 0.57 0.51 | 2 (50Hz) 1 (60Hz) |
| OA172AP-11-2 * 1855 | 2,350 2,300 | 162 155 | 48 | 115 | 100~120 | 35 32 | 0.46 0.37 | 4 (50Hz) 3 (60Hz) |
| OA172AP-11-3 * 1855 | 1,500 1,600 | 105 110 | 36 | 115 | 100~120 | 23 20 | 0.33 0.27 | 6 (50Hz) 5 (60Hz) |
| OA172AP-22-1 * 1855 | 2,750 3,200 | 190 215 | 59 | 230 | 200~240 | 47 42 | 0.57 0.51 | 2 (50Hz) 1 (60Hz) |
| OA172AP-22-2 * 1855 | 2,350 2,300 | 162 155 | 48 | 230 | 200~240 | 35 32 | 0.46 0.37 | 4 (50Hz) 3 (60Hz) |
| OA172AP-22-3 * 1855 | 1,500 1,600 | 105 110 | 36 | 230 | 200~240 | 23 20 | 0.33 0.27 | 6 (50Hz) 5 (60Hz) |

* Indicate "TB" for terminal type or "WB" for lead wires

OA162 Series - All Metal



AC Fan - 115V, 230V
172 x 55mm (6.7" x 2.17")



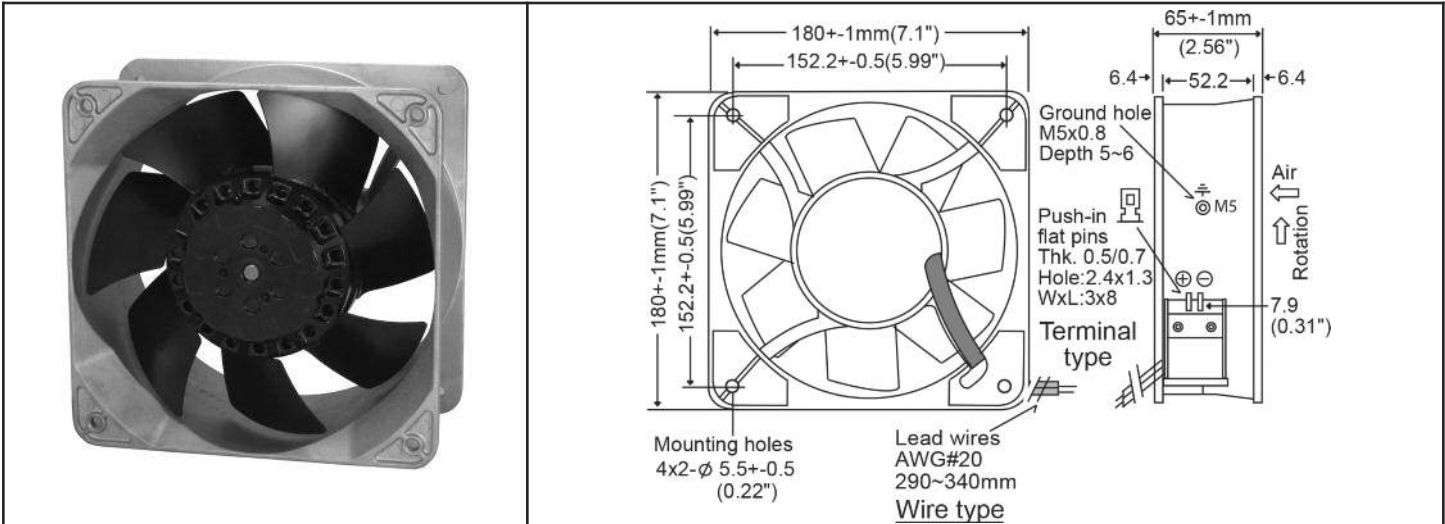
| | | | |
|-----------------------|--|---|--|
| Frame | Diecast Aluminum | <u>Operating Temperature</u> Ball Bearing -30C ~ +80C (non-condensing) Storage Temp -40C ~ +100C | |
| Impeller | Metal Alloy | | |
| Connection | 2x Lead Wires 20 AWG | <u>Life Expectancy</u> Ball Bearing 50,000 hours (L10 at 55C) Environmental Protection IP55 | |
| Motor | Shaded pole, thermally protected | Weight: ~ 2.7 lbs | |
| Bearing System | Dual ball bearing | | |
| Insulation Resistance | >100M ohm between lead-wire and frame (500VDC) | | |
| Dielectric Strength | 1 min at 1,500 VAC, 50/60Hz | m0 | |

| Model Number | Speed (RPM) | Airflow (CFM) | Noise (dB) | Volts AC | Voltage Range | Watts | Max. Static Pressure ("H ₂ O) | Curves |
|---------------------|----------------|---------------|------------|----------|---------------|----------|--|----------------------|
| OA162AP-11-1WB 1855 | 2,750 3,200 | 183 210 | 54 | 115 | 100~120 | 47 42 | 0.49 0.42 | 2 (50Hz) 1 (60Hz) |
| OA162AP-11-2WB 1855 | 2,400 2,500 | 160 165 | 46 | 115 | 100~120 | 35 32 | 0.42 0.35 | 4 (50Hz) 3 (60Hz) |
| OA162AP-11-3WB 1855 | 1,500 1,600 | 100 110 | 35 | 115 | 100~120 | 23 20 | 0.28 0.22 | 6 (50Hz) 5 (60Hz) |
| OA162AP-22-1WB 1855 | 2,750 3,200 | 183 210 | 54 | 230 | 200~240 | 47 42 | 0.49 0.42 | 2 (50Hz) 1 (60Hz) |
| OA162AP-22-2WB 1855 | 2,400 2,500 | 160 165 | 46 | 230 | 200~240 | 35 32 | 0.42 0.35 | 4 (50Hz) 3 (60Hz) |
| OA162AP-22-3WB 1855 | 1,500 1,600 | 100 110 | 35 | 230 | 200~240 | 23 20 | 0.28 0.22 | 6 (50Hz) 5 (60Hz) |

OA180ANL Series - All Metal



AC Fan - 115V, 230V
180 x 65mm (7.1" x 2.6")



| | | | |
|-----------------------|--|--|--|
| Frame | Diecast Aluminum | Operating Temperature Ball Bearing -30C ~ +80C (non-condensing) Storage Temp -40C ~ +100C | |
| Impeller | Metal Alloy | | |
| Connection | 2x Lead Wires 20 AWG or terminals | | |
| Motor | Shaded pole, thermally protected | Life Expectancy Ball Bearing 50,000 hours (L10 at 55C) Environmental Protection IP56 | |
| Bearing System | Dual ball bearing | Weight: ~ 3.75 lbs | |
| Insulation Resistance | >100M ohm between lead-wire and frame (500VDC) | | |
| Dielectric Strength | 1 min at 1,500 VAC, 50/60Hz | m0 | |

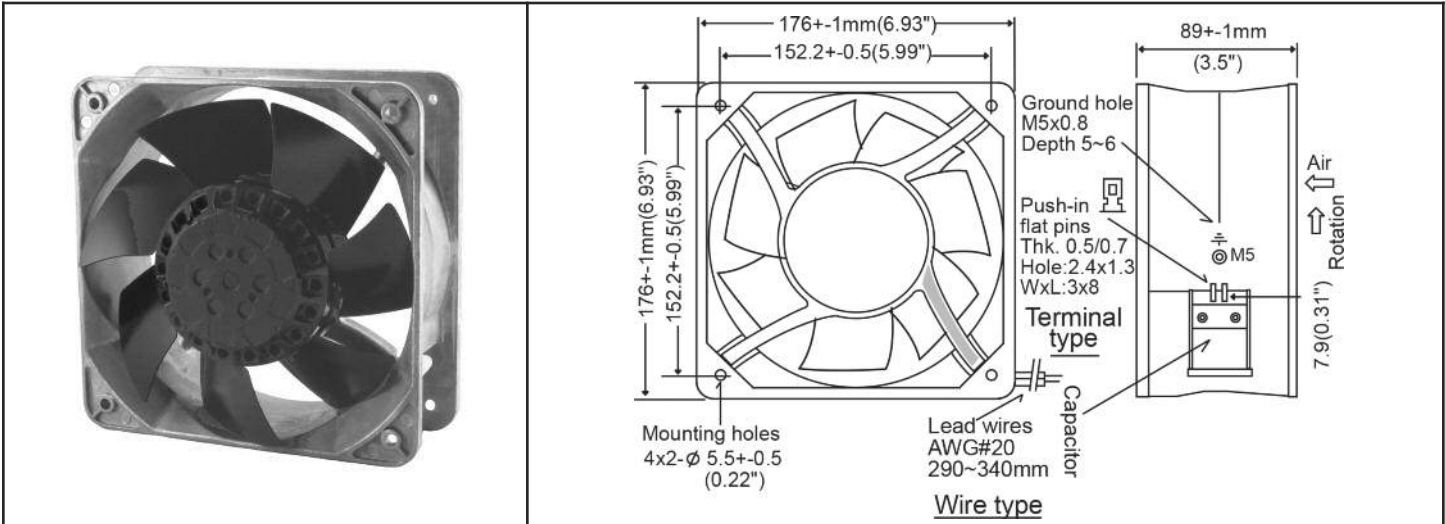
| Model Number | Speed (RPM) | Airflow (CFM) | Noise (dB) | Volts AC | Voltage Range | Watts | Max. Static Pressure ("H ₂ O) | Curves |
|----------------------|----------------|---------------|------------|----------|---------------|----------|--|----------------------|
| OA180ANL-11-1 * 1856 | 2,750 3,250 | 330 400 | 65 | 115 | 100~120 | 60 80 | 0.60 0.80 | 2 (50Hz) 1 (60Hz) |
| OA180ANL-11-2 * 1856 | 2,300 2,200 | 275 265 | 53 | 115 | 100~120 | 55 65 | 0.58 0.52 | 4 (50Hz) 3 (60Hz) |
| OA180ANL-11-3 * 1856 | 1,500 1,600 | 185 200 | 42 | 115 | 100~120 | 20 30 | 0.38 0.32 | 6 (50Hz) 5 (60Hz) |
| OA180ANL-22-1 * 1856 | 2,750 3,250 | 330 400 | 65 | 230 | 200~240 | 60 80 | 0.60 0.80 | 2 (50Hz) 1 (60Hz) |
| OA180ANL-22-2 * 1856 | 2,300 2,200 | 275 265 | 53 | 230 | 200~240 | 55 65 | 0.58 0.52 | 4 (50Hz) 3 (60Hz) |
| OA180ANL-22-3 * 1856 | 1,500 1,600 | 185 200 | 42 | 230 | 200~240 | 20 30 | 0.38 0.32 | 6 (50Hz) 5 (60Hz) |

* Indicate "TB" for terminal type or "WB" for lead wires

OA180AN Series - All Metal



AC Fan - 115V, 230V
176 x 89mm (6.9" x 3.5")



| | | | |
|-----------------------|--|--|--|
| Frame | Diecast Aluminum | Operating Temperature Ball Bearing -30C ~ +80C (non-condensing) Storage Temp -40C ~ +100C | |
| Impeller | Metal Alloy | | |
| Connection | 2x Lead Wires 20 AWG or terminals | Life Expectancy Ball Bearing 50,000 hours (L10 at 55C) Environmental Protection IP56 | |
| Motor | AC Capacitor Inductance, thermally protected | Weight: ~ 4.1 lbs | |
| Bearing System | Dual ball bearing | | |
| Insulation Resistance | >100M ohm between lead-wire and frame (500VDC) | | |
| Dielectric Strength | 1 min at 1,500 VAC, 50/60Hz | m0 | |

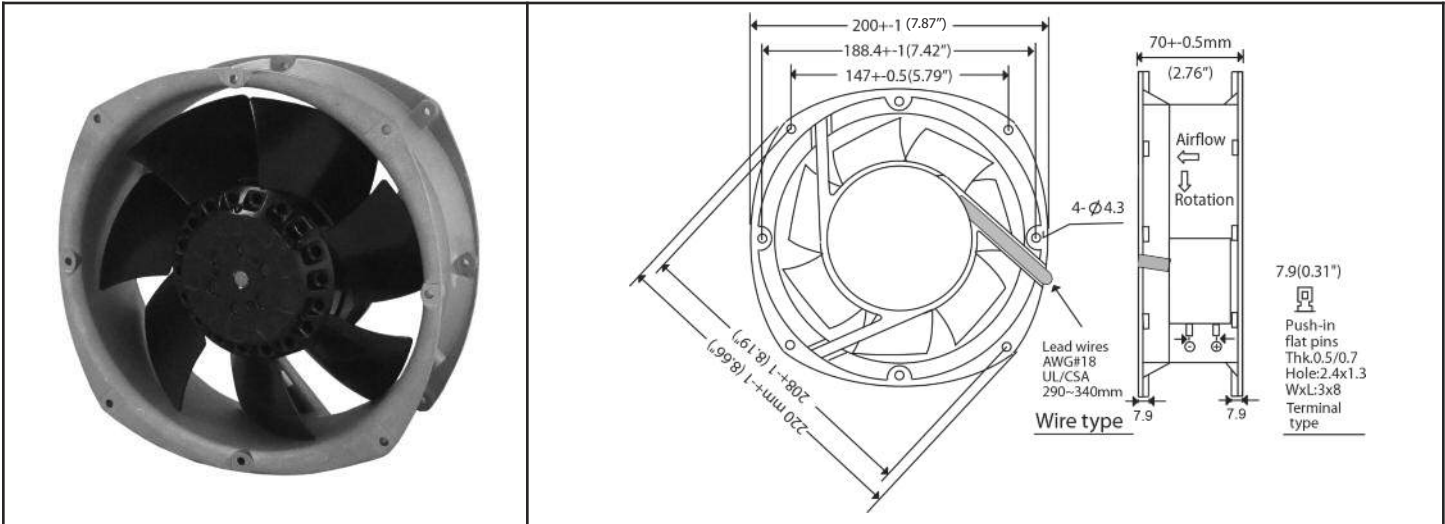
| Model Number | Speed (RPM) | Airflow (CFM) | Noise (dB) | Volts AC | Voltage Range | Watts | Max. Static Pressure ("H ₂ O) | Curves |
|---------------------|----------------|---------------|------------|----------|---------------|----------|--|----------------------|
| OA180AN-11-1 * 1856 | 2,750 3,250 | 330 380 | 63 | 115 | 100~120 | 45 50 | 0.69 0.76 | 2 (50Hz) 1 (60Hz) |
| OA180AN-11-2 * 1856 | 2,350 2,250 | 285 275 | 52 | 115 | 100~120 | 30 35 | 0.59 0.53 | 4 (50Hz) 3 (60Hz) |
| OA180AN-11-3 * 1856 | 1,450 1,650 | 175 210 | 41 | 115 | 100~120 | 21 23 | 0.36 0.39 | 6 (50Hz) 5 (60Hz) |
| OA180AN-22-1 * 1856 | 2,750 3,250 | 330 380 | 63 | 230 | 200~240 | 45 50 | 0.69 0.76 | 2 (50Hz) 1 (60Hz) |
| OA180AN-22-2 * 1856 | 2,350 2,250 | 285 275 | 52 | 230 | 200~240 | 30 35 | 0.59 0.53 | 4 (50Hz) 3 (60Hz) |
| OA180AN-22-3 * 1856 | 1,450 1,650 | 175 210 | 41 | 230 | 200~240 | 21 23 | 0.36 0.39 | 6 (50Hz) 5 (60Hz) |

* Indicate "TB" for terminal type or "WB" for lead wires

OA200AN Series - All Metal



AC Fan - 115V, 230V
200 x 70mm (7.8" x 2.8")



| | | | |
|-----------------------|--|---|--|
| Frame | Diecast Aluminum | Operating Temperature Ball Bearing -30C ~ +80C (non-condensing) Storage Temp -40C ~ +100C Life Expectancy Ball Bearing 50,000 hours (L10 at 55C) Environmental Protection IP56 Weight: ~ 4.0 lbs | |
| Impeller | Metal Alloy | | |
| Connection | 2x Lead Wires 18 AWG or terminals | | |
| Motor | AC Capacitor Inductance, thermally protected | | |
| Bearing System | Dual ball bearing | | |
| Insulation Resistance | >100M ohm between lead-wire and frame (500VDC) | | |
| Dielectric Strength | 1 min at 1,500 VAC, 50/60Hz | | |

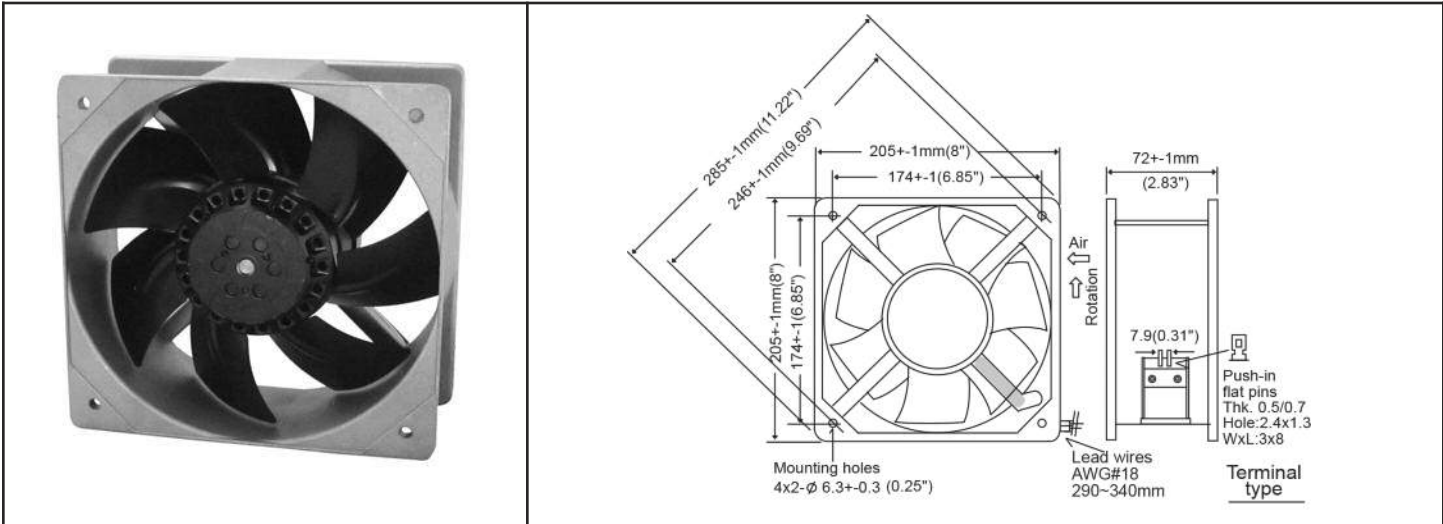
| Model Number | Speed (RPM) | Airflow (CFM) | Noise (dB) | Volts AC | Voltage Range | Watts | Max. Static Pressure ("H ₂ O) | Curves |
|---------------------|----------------|---------------|------------|----------|---------------|-----------|--|----------------------|
| OA200AN-11-1 * 1856 | 2,800 3,300 | 430 485 | 68 | 115 | 100~120 | 95 105 | 0.82 0.93 | 2 (50Hz) 1 (60Hz) |
| OA200AN-11-2 * 1856 | 2,400 2,600 | 365 395 | 54 | 115 | 100~120 | 80 95 | 0.68 0.75 | 4 (50Hz) 3 (60Hz) |
| OA200AN-11-3 * 1856 | 1,600 1,500 | 245 230 | 43 | 115 | 100~120 | 32 40 | 0.46 0.42 | 6 (50Hz) 5 (60Hz) |
| OA200AN-22-1 * 1856 | 2,800 3,300 | 430 485 | 68 | 230 | 200~240 | 95 105 | 0.82 0.93 | 2 (50Hz) 1 (60Hz) |
| OA200AN-22-2 * 1856 | 2,400 2,600 | 365 395 | 54 | 230 | 200~240 | 80 95 | 0.68 0.75 | 4 (50Hz) 3 (60Hz) |
| OA200AN-22-3 * 1856 | 1,600 1,500 | 245 230 | 43 | 230 | 200~240 | 32 40 | 0.46 0.42 | 6 (50Hz) 5 (60Hz) |

* Indicate "TB" for terminal type or "WB" for lead wires

OA205AN Series - All Metal



AC Fan - 115V, 230V
205 x 72mm (8.0" x 2.8")



| | | | |
|-----------------------|--|---|--|
| Frame | Diecast Aluminum | Operating Temperature Ball Bearing -30C ~ +80C (non-condensing) Storage Temp -40C ~ +100C Life Expectancy Ball Bearing 50,000 hours (L10 at 55C) Environmental Protection IP56 Weight: ~ 5.0 lbs | |
| Impeller | Metal Alloy | | |
| Connection | 2x Lead Wires 18 AWG or terminals | | |
| Motor | AC Capacitor Inductance, thermally protected | | |
| Bearing System | Dual ball bearing | | |
| Insulation Resistance | >100M ohm between lead-wire and frame (500VDC) | | |
| Dielectric Strength | 1 min at 1,500 VAC, 50/60Hz | | |
| | m0 | | |

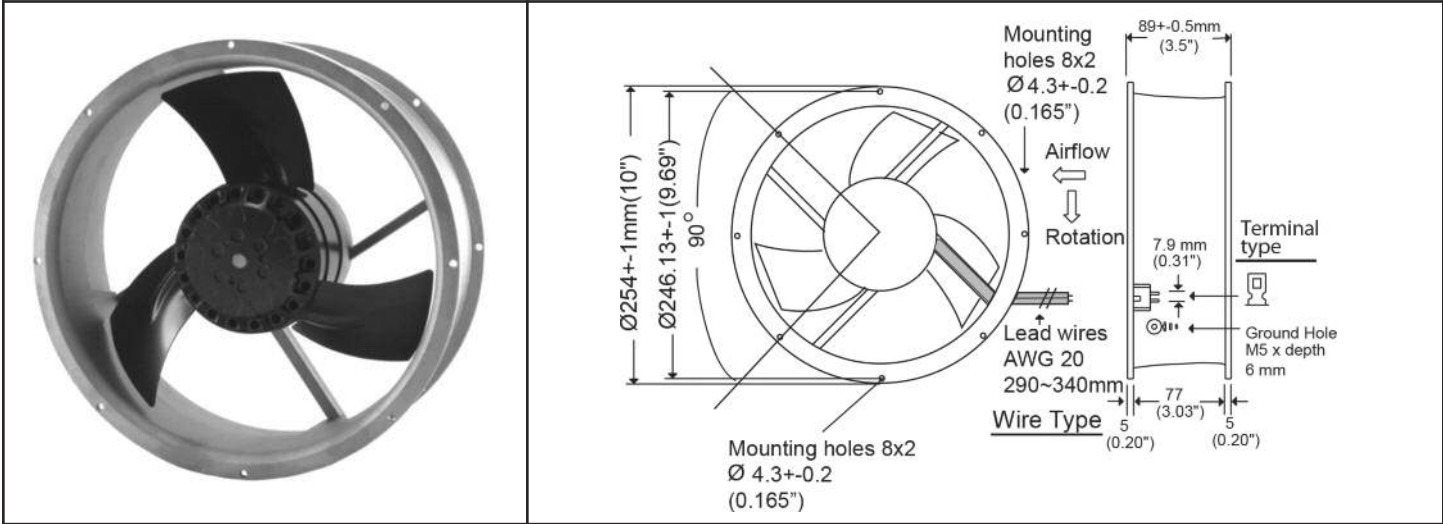
| Model Number | Speed (RPM) | Airflow (CFM) | Noise (dB) | Volts AC | Voltage Range | Watts | Max. Static Pressure ("H ₂ O) | Curves |
|---------------------|----------------|---------------|------------|----------|---------------|-----------|--|----------------------|
| OA205AN-11-1 * 1856 | 2,800 3,200 | 550 650 | 68 | 115 | 100~120 | 95 105 | 1.05 1.08 | 2 (50Hz) 1 (60Hz) |
| OA205AN-11-2 * 1856 | 2,300 2,250 | 460 465 | 58 | 115 | 100~120 | 55 65 | 0.69 0.52 | 4 (50Hz) 3 (60Hz) |
| OA205AN-11-3 * 1856 | 1,500 1,650 | 310 330 | 48 | 115 | 100~120 | 32 40 | 0.38 0.29 | 6 (50Hz) 5 (60Hz) |
| OA205AN-22-1 * 1856 | 2,800 3,200 | 550 650 | 68 | 230 | 200~240 | 95 105 | 1.05 1.08 | 2 (50Hz) 1 (60Hz) |
| OA205AN-22-2 * 1856 | 2,300 2,250 | 460 465 | 58 | 230 | 200~240 | 55 65 | 0.69 0.52 | 4 (50Hz) 3 (60Hz) |
| OA205AN-22-3 * 1856 | 1,500 1,650 | 310 330 | 48 | 230 | 200~240 | 32 40 | 0.38 0.29 | 6 (50Hz) 5 (60Hz) |

* Indicate "TB" for terminal type or "WB" for lead wires

OA2543 Series - All Metal



AC Fan - 115V, 230V
254 x 89mm (10.0" x 3.5")



| | | | |
|-----------------------|--|---|--|
| Frame | Diecast Aluminum | Operating Temperature Ball Bearing -30C ~ +80C (non-condensing) Storage Temp -40C ~ +100C Life Expectancy Ball Bearing 50,000 hours (L10 at 55C) Environmental Protection IP56 Weight: ~ 4.7 lbs | |
| Impeller | Metal Alloy | | |
| Connection | 2x Lead Wires 20 AWG or terminals | | |
| Motor | AC Capacitor Induction, thermally protected | | |
| Bearing System | Dual ball bearing | | |
| Insulation Resistance | >100M ohm between lead-wire and frame (500VDC) | | |
| Dielectric Strength | 1 min at 1,500 VAC, 50/60Hz | | |
| | m0 | | |

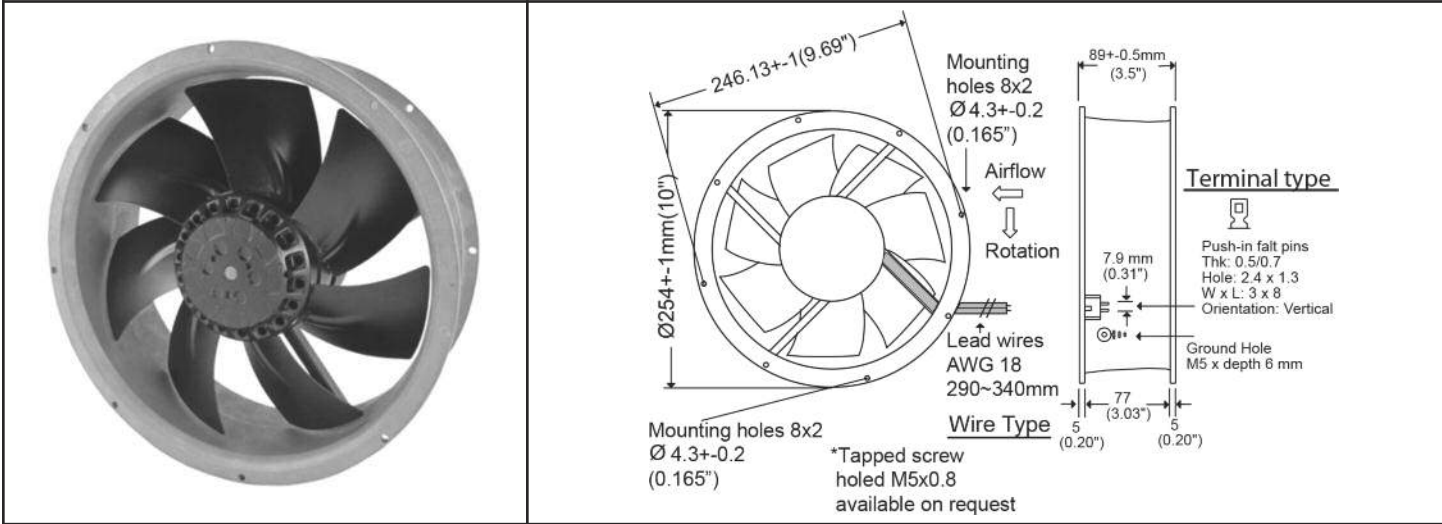
| Model Number | Speed (RPM) | Airflow (CFM) | Noise (dB) | Volts AC | Voltage Range | Watts | Max. Static Pressure ("H ₂ O) | Curves |
|----------------------|----------------|---------------|------------|----------|---------------|-----------|--|----------------------|
| OA2543AN-11-1 * 1856 | 2,800 3,300 | 800 930 | 66 | 115 | 100~120 | 95 105 | 0.84 0.78 | 2 (50Hz) 1 (60Hz) |
| OA2543AN-11-2 * 1856 | 2,300 2,000 | 670 615 | 53 | 115 | 100~120 | 80 95 | 0.25 0.20 | 4 (50Hz) 3 (60Hz) |
| OA2543AN-11-3 * 1856 | 1,650 1,500 | 510 460 | 48 | 115 | 100~120 | 32 40 | 0.22 0.17 | 6 (50Hz) 5 (60Hz) |
| OA2543AN-22-1 * 1856 | 2,800 3,300 | 800 930 | 66 | 230 | 200~240 | 95 105 | 0.84 0.78 | 2 (50Hz) 1 (60Hz) |
| OA2543AN-22-2 * 1856 | 2,300 2,000 | 670 615 | 53 | 230 | 200~240 | 80 95 | 0.25 0.20 | 4 (50Hz) 3 (60Hz) |
| OA2543AN-22-3 * 1856 | 1,650 1,500 | 510 460 | 48 | 230 | 200~240 | 32 40 | 0.22 0.17 | 6 (50Hz) 5 (60Hz) |

* Indicate "TB" for terminal type or "WB" for lead wires

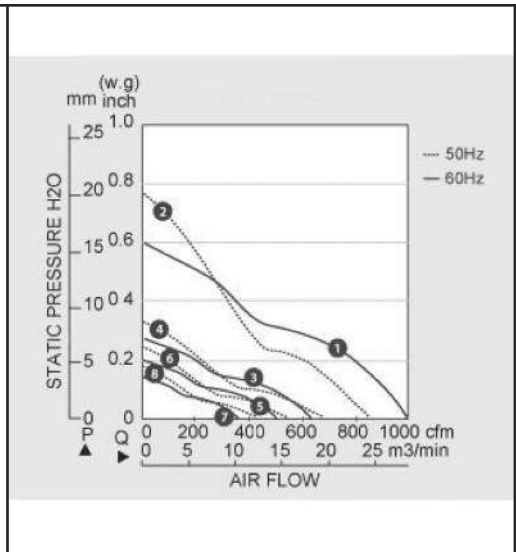
OA2547 Series - All Metal



AC Fan - 115V, 230V
254 x 89mm (10.0" x 3.5")



| | | |
|-----------------------|--|---|
| Frame | Diecast Aluminum | Operating Temperature Ball Bearing -30C ~ +80C (non-condensing) Storage Temp -40C ~ +100C Life Expectancy Ball Bearing 50,000 hours (L10 at 55C) Environmental Protection IP56 Weight: ~ 5.9 lbs |
| Impeller | Metal Alloy | |
| Connection | 2x Lead Wires 18 AWG or terminals | |
| Motor | AC Capacitor Induction, thermally protected | |
| Bearing System | Dual ball bearing | |
| Insulation Resistance | >100M ohm between lead-wire and frame (500VDC) | |
| Dielectric Strength | 1 min at 1,500 VAC, 50/60Hz | |



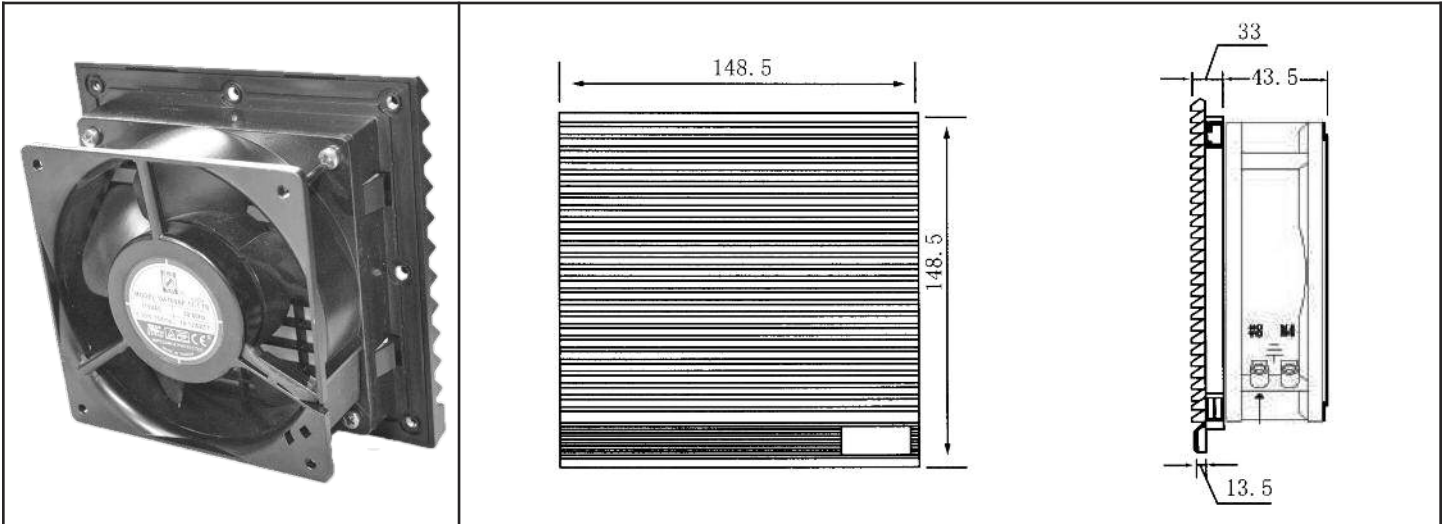
| Model Number | Speed (RPM) | Airflow (CFM) | Noise (dB) | Volts AC | Voltage Range | Watts | Max. Static Pressure ("H ₂ O) | Curves |
|----------------------|----------------|---------------|------------|----------|---------------|-----------|--|----------------------|
| OA2547AN-11-1 * 1856 | 2,800 3,250 | 840 1,000 | 70 | 115 | 100~120 | 95 105 | 0.78 0.60 | 2 (50Hz) 1 (60Hz) |
| OA2547AN-11-2 * 1856 | 2,300 2,200 | 660 620 | 63 | 115 | 100~120 | 80 95 | 0.33 0.27 | 4 (50Hz) 3 (60Hz) |
| OA2547AN-11-3 * 1856 | 1,600 1,500 | 560 500 | 46 | 115 | 100~120 | 32 40 | 0.25 0.20 | 6 (50Hz) 5 (60Hz) |
| OA2547AN-22-1 * 1856 | 2,800 3,250 | 840 1,000 | 70 | 230 | 200~240 | 95 105 | 0.78 0.60 | 2 (50Hz) 1 (60Hz) |
| OA2547AN-22-2 * 1856 | 2,300 2,200 | 660 620 | 63 | 230 | 200~240 | 80 95 | 0.33 0.27 | 4 (50Hz) 3 (60Hz) |
| OA2547AN-22-3 * 1856 | 1,600 1,500 | 560 500 | 46 | 230 | 200~240 | 32 40 | 0.25 0.20 | 6 (50Hz) 5 (60Hz) |

* Indicate "TB" for terminal type or "WB" for lead wires

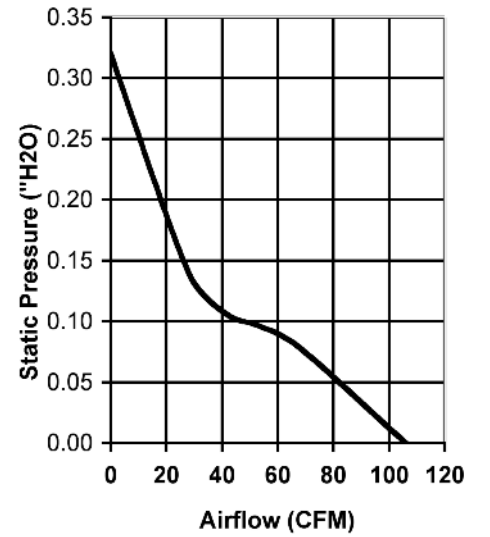
OA109LFG Series



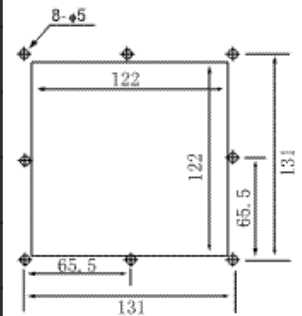
Louvered Fan Guard Kit
with Fan Installed
AC Fan - 115V, 230V



| | | |
|-----------------------|---|--|
| Frame | Diecast Aluminum | Operating Temperature -20C ~ +70C Storage Temp -30C ~ +80C Life Expectancy >40,000 hours (L10, 40C) Environmental: Class B Insulation Rated IP55 Fan Rated IP54 Guard Guard Frame: ABS Resin UL94V-0 Color: Black (standard) or Gray Filter Mesh: Nylon fiber Synthetic Resin m2 |
| Impeller | PBT, UL94V-0 plastic | |
| Connection | Terminals | |
| Motor | AC shaded pole, impedance protected | |
| Bearing System | Dual Ball | |
| Insulation Resistance | >100M ohm between leadwire and frame (500VDC) | |
| Dielectric Strength | 1 min at 1,500 VAC, 50/60Hz | |



| Model Number | OA109LFG111T | OA109LFG221T |
|----------------------|-------------------------|-------------------------|
| Nominal Voltage | 115 VAC | 230 VAC |
| Nominal Current | 0.16 A | 0.08 A (locked 0.12 A) |
| Rated Power | 12 W (60Hz) | 15 W (60Hz) |
| Rated Speed (RPM) | 3,100 | 3,100 |
| Airflow (CFM) | 106 | 106 |
| Noise Level (dB) | 46 | 46 |
| Max. Static Pressure | 0.32\" H ₂ O | 0.32\" H ₂ O |



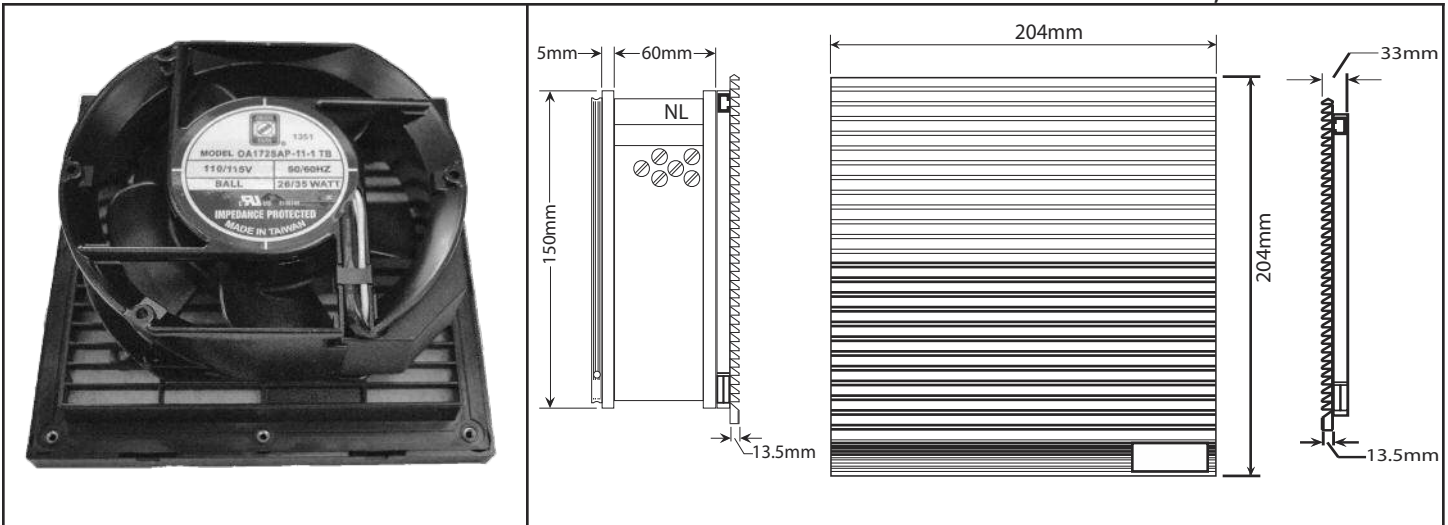
PANEL CUTOUT

* Note: Airflow data is for the fan without the louvered filter attached. Calculations indicate that up to a 40% reduction (~ 67 CFM) in fan airflow is possible with LFG unit installed.

OA172LFG Series

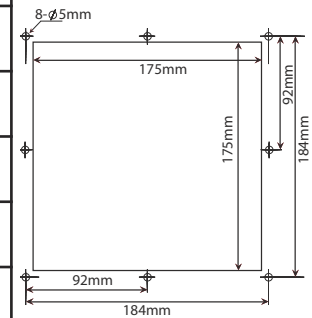


Louvered Fan Guard Kit with Fan Installed AC Fan - 115V, 230V



| | | | |
|-----------------------|--|---|--|
| Frame | Diecast Aluminum | Operating Temperature Ball Bearing -40C ~ +70C Storage Temp -30C ~ +80C Life Expectancy Ball Bearing 60,000 hours (L10 at 40C) Environmental: Class B Insulation Rated IP54 Guard Guard Frame: ABS Resin UL94V-0 Color: Black (standard) or Gray Filter Mesh: Nylon fiber Synthetic Resin m2 | |
| Impeller | PBT, UL94V-0 plastic | | |
| Connection | 2x Lead Wires or Terminals | | |
| Motor | Capacitor drive, impedance protected | | |
| Bearing System | Dual ball | | |
| Insulation Resistance | >100M ohm between lead-wire and frame (500VDC) | | |
| Dielectric Strength | 1 min at 1,500 VAC, 50/60Hz | | |

| Model Number | OA172LFG111T | OA172LFG221T |
|----------------------|------------------------|------------------------|
| Nominal Voltage | 115 VAC | 230 VAC |
| Voltage Range | 80 ~ 130 VAC | 160 ~ 260 VAC |
| Rated Power | 35 W | 35 W |
| Rated Speed (RPM) | 3,200 | 3,200 |
| Airflow (CFM) | 235 | 235 |
| Noise Level (dB) | 52 | 52 |
| Max. Static Pressure | 0.70" H ₂ O | 0.70" H ₂ O |



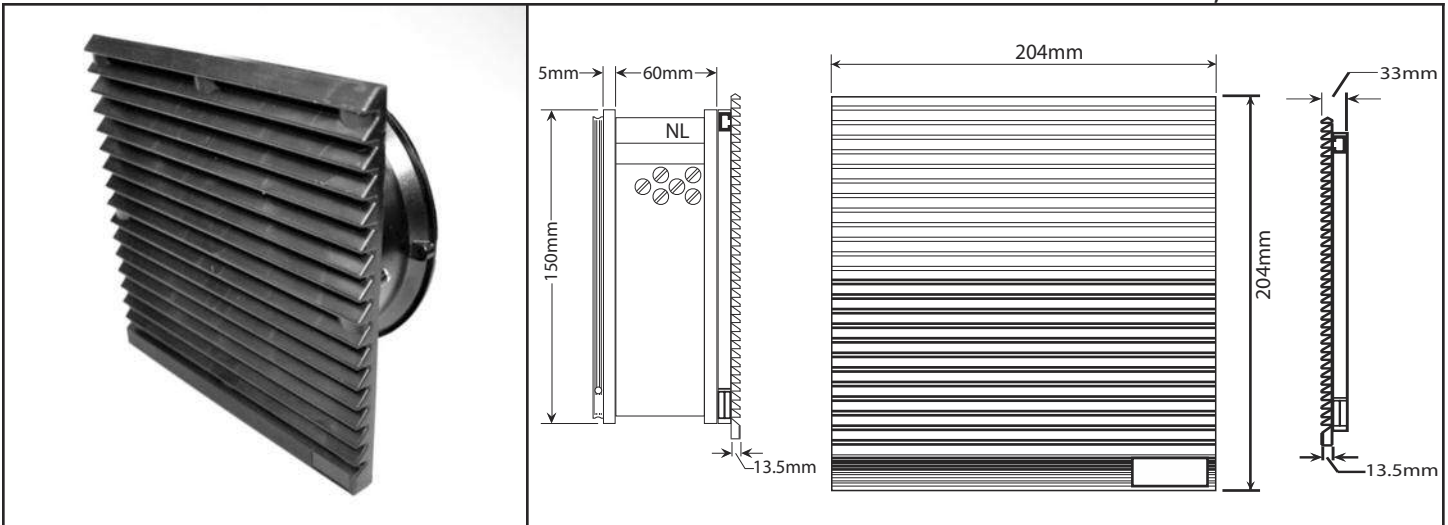
PANEL CUTOUT

* Note: Airflow data is for the fan without the louvered filter attached. Calculations indicate that up to a 40% reduction (~ 141 CFM) in fan airflow is possible with LFG unit installed.

OA172LFG XC Series

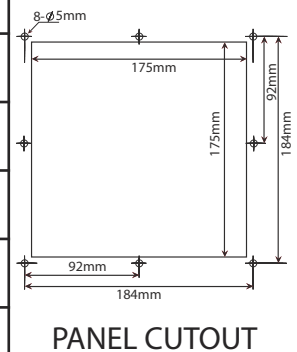


Louvered Fan Guard Kit with Fan Installed AC Fan - 115V, 230V



| | | | |
|-----------------------|--|---|--|
| Frame | Diecast Aluminum | Operating Temperature Ball Bearing -20C ~ +70C Storage Temp -30C ~ +80C Life Expectancy Ball Bearing 60,000 hours (L10 at 40C) Environmental: Class B Insulation Rated IP54 Guard Guard Frame: ABS Resin UL94V-0 Color: Black (standard) or Gray Filter Mesh: Nylon fiber Synthetic Resin m0 | |
| Impeller | PBT, UL94V-0 plastic | | |
| Connection | 2x Lead Wires or Terminals | | |
| Motor | Capacitor drive, impedance protected | | |
| Bearing System | Dual ball | | |
| Insulation Resistance | >100M ohm between lead-wire and frame (500VDC) | | |
| Dielectric Strength | 1 min at 1,500 VAC, 50/60Hz | | |

| Part Number | OA172LFG111TXC | OA172LFG221TXC |
|----------------------|------------------------|------------------------|
| Nominal Voltage | 115 VAC | 230 VAC |
| Voltage Range | 100 ~ 125 VAC | 200 ~ 240 VAC |
| Rated Power | 50 W (60Hz) | 50 W (60Hz) |
| Rated Speed (RPM) | 3,300 | 3,300 |
| Airflow (CFM) | 300 | 300 |
| Noise Level (dB) | 61 | 61 |
| Max. Static Pressure | 0.78" H ₂ O | 0.78" H ₂ O |

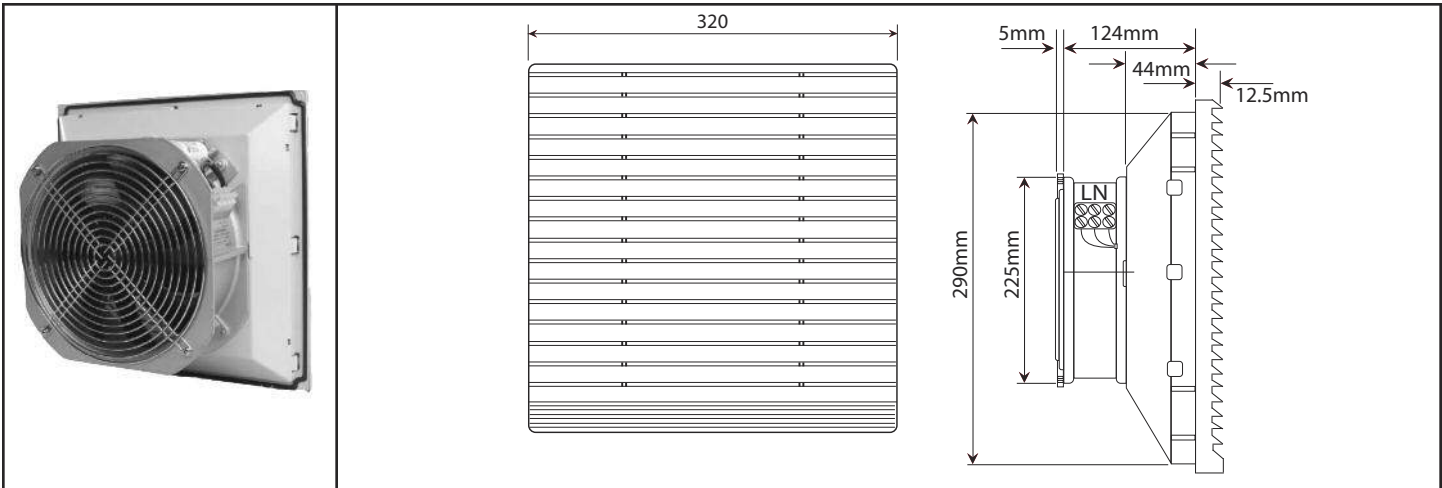


* Note: Airflow data is for the fan without the louvered filter attached. Calculations indicate that up to a 40% reduction (~ 180 CFM) in fan airflow is possible with LFG unit installed.

OA225LFG Series

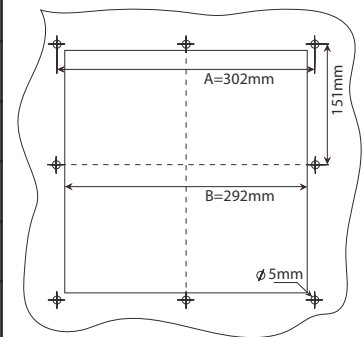


Louvered Fan Guard Kit with Fan Installed AC Fan - 115V, 230V



| | | | |
|---------------------|--------------------------------------|--|--|
| Frame | Diecast Aluminum | Operating Temperature Ball Bearing -40C ~ +80C Storage Temp -40C ~ +100C Life Expectancy Ball Bearing 40,000 hours (L10 at 40C) Environmental: IP55 Rated Fan IP54 Rated Guard Guard Frame: ABS Resin UL94V-0 Color: Black (standard) or Gray (shown) Filter Mesh: Nylon fiber Synthetic Resin m2 | |
| Impeller | Metal | | |
| Connection | Terminal Block, 18AWG | | |
| Motor | Capacitor drive, thermally protected | | |
| Bearing System | Dual ball | | |
| Insulation | Class F | | |
| Dielectric Strength | 1 min at 1,500 VAC, 50/60Hz | | |

| Part Number | OA225LFG111T | OA225LFG221T |
|------------------------------|--------------------------------|--------------------------------|
| Nominal Voltage | 115VAC | 230VAC |
| Voltage Range | 100 ~ 125VAC | 200 ~ 240VAC |
| Rated Power | 65 / 72 W | 74 / 80 W |
| Nominal Current | 0.58 / 0.70 A | 0.29 / 0.35 A |
| Rated Speed (RPM) 50/60Hz | 2,550 / 2,800 | 2,550 / 2,800 |
| Airflow (CFM) 50/60Hz | 530 / 600 | 530 / 600 * |
| Noise Level (dB) 50/60HZ | 59 / 61 | 59 / 61 |
| Max. Static Pressure 50/60Hz | 0.67" / 0.55" H ₂ O | 0.67" / 0.55" H ₂ O |



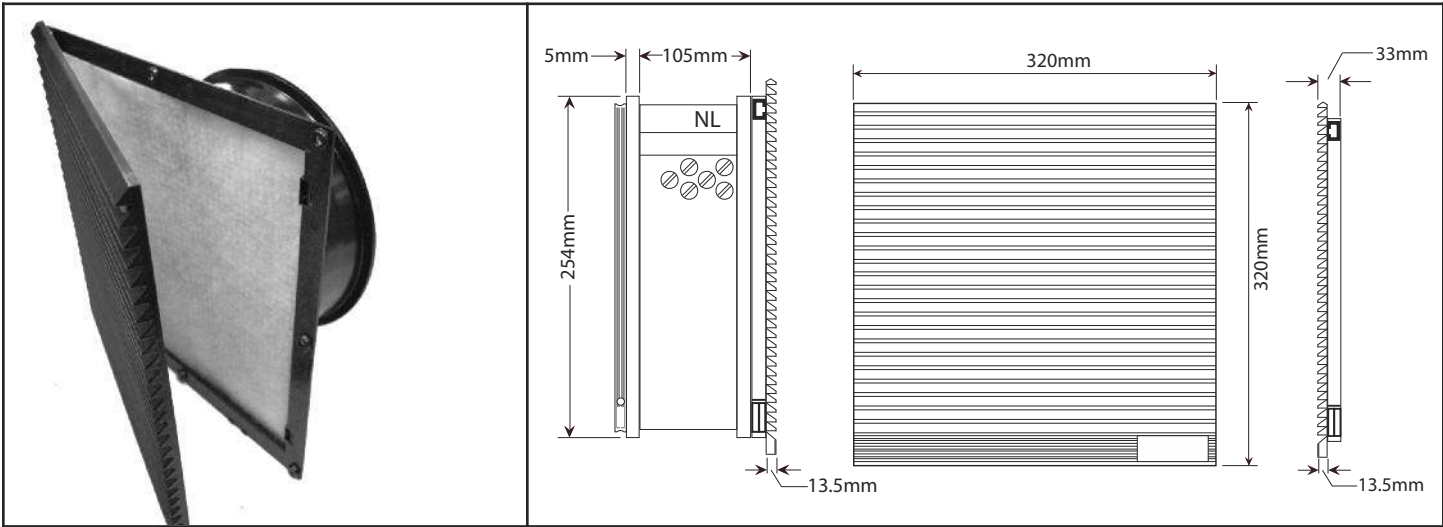
PANEL CUTOUT

* Note: Airflow data is for the fan without the louvered filter attached. Calculations indicate that up to a 40% reduction (~ 318 / ~ 360 CFM) in fan airflow is possible with LFG unit installed.

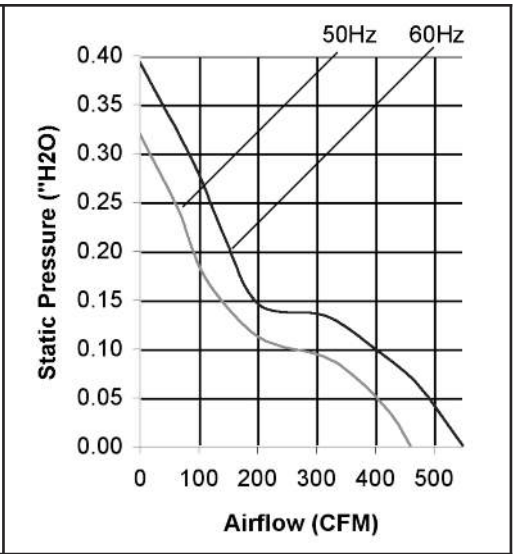
OA254LFG Series



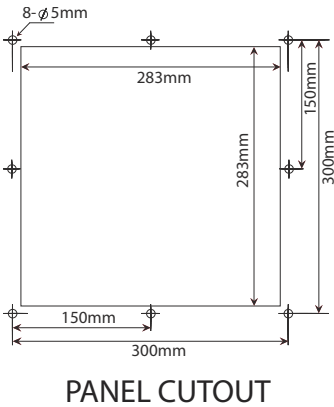
Louvered Fan Guard Kit with Fan Installed AC Fan - 115V, 230V



| | | |
|-----------------------|--|--|
| Frame | Diecast Aluminum | Operating Temperature Ball Bearing -20C ~ +80C Storage Temp -30C ~ +80C Life Expectancy Ball Bearing 60,000 hours (L10 at 40C) Environmental: Class B Insulation Rated IP54 Guard Guard Frame: ABS Resin UL94V-0 Color: Black (standard) or Gray Filter Mesh: Nylon fiber Synthetic Resin m2 |
| Impeller | PBT, UL94V-0 plastic | |
| Connection | 2x Lead Wires or Terminals | |
| Motor | Capacitor drive, thermally protected | |
| Bearing System | Dual ball | |
| Insulation Resistance | >100M ohm between lead-wire and frame (500VDC) | |
| Dielectric Strength | 1 min at 1,500 VAC, 50/60Hz | |



| Part Number | OA254LFG111T | OA254LFG221T |
|----------------------------|--------------------------------|--------------------------------|
| Nominal Voltage (50/60 Hz) | 115VAC | 230VAC |
| Voltage Range | 80 ~ 130VAC | 160 ~ 260VAC |
| Rated Power | 31/33 W (0.30 / 0.29 A) | 31/33 W (0.14 / 0.14 A) |
| Rated Speed | 1,400 / 1,650 | 1,400 / 1,650 |
| Airflow - CFM | 460 / 547 | 460 / 547 |
| Noise Level - dB | 52 / 55 | 52 / 55 |
| Max. Static Pressure | 0.32" / 0.39" H ₂ O | 0.32" / 0.39" H ₂ O |

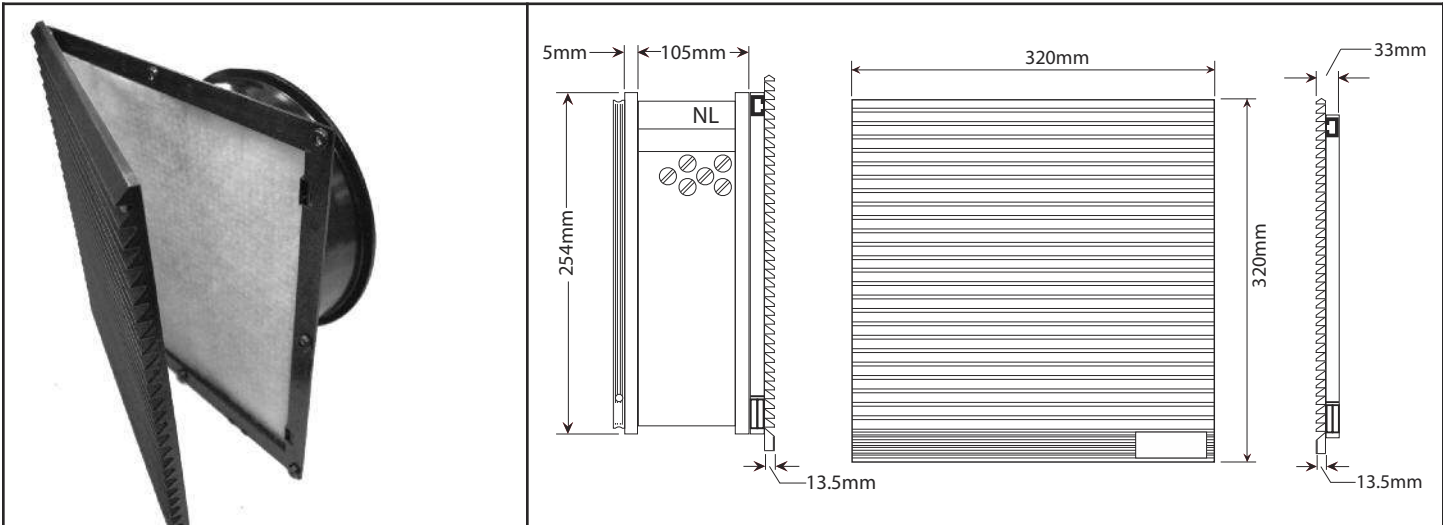


* Note: Airflow data is for the fan without the louvered filter attached. Calculations indicate that up to a 40% reduction (~ 276 / 328 CFM) in fan airflow is possible with LFG unit installed.

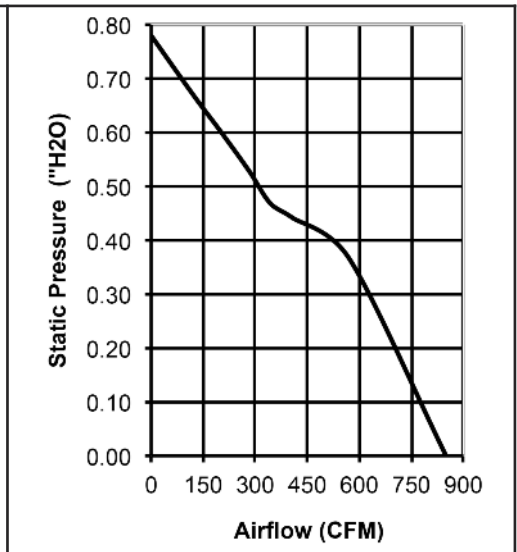
OA254LFG XC Series



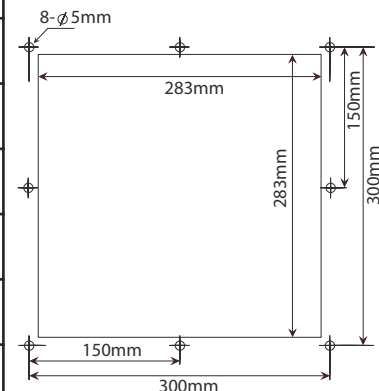
Louvered Fan Guard Kit with Fan Installed AC Fan - 115V, 230V



| | | |
|-----------------------|--|--|
| Frame | Diecast Aluminum | <u>Operating Temperature</u> Ball Bearing -40C ~ +70C Storage Temp -40C ~ +80C |
| Impeller | PBT, UL94V-0 plastic | <u>Life Expectancy</u> Ball Bearing 60,000 hours (L10 at 40C) |
| Connection | 2x Lead Wires or Terminals | Environmental: Class B Insulation Rated IP54 Guard |
| Motor | Capacitor drive, impedance protected | Guard Frame: ABS Resin UL94V-0 |
| Bearing System | Dual ball | Color: Black (standard) or Gray |
| Insulation Resistance | >100M ohm between lead-wire and frame (500VDC) | Filter Mesh: Nylon fiber Synthetic Resin |
| Dielectric Strength | 1 min at 1,500 VAC, 50/60Hz | m0 |



| Model Number | OA254LFG111TXC | OA254LFG221TXC |
|----------------------|------------------------|------------------------|
| Nominal Voltage | 115 VAC | 230 VAC |
| Voltage Range | 80 ~ 130 | 160 ~ 260 |
| Rated Power | 75 | 75 |
| Rated Speed (RPM) | 2,700 | 2,700 |
| Airflow (CFM) | 850 | 850 |
| Noise Level (dB) | 69 | 69 |
| Max. Static Pressure | 0.78" H ₂ O | 0.78" H ₂ O |



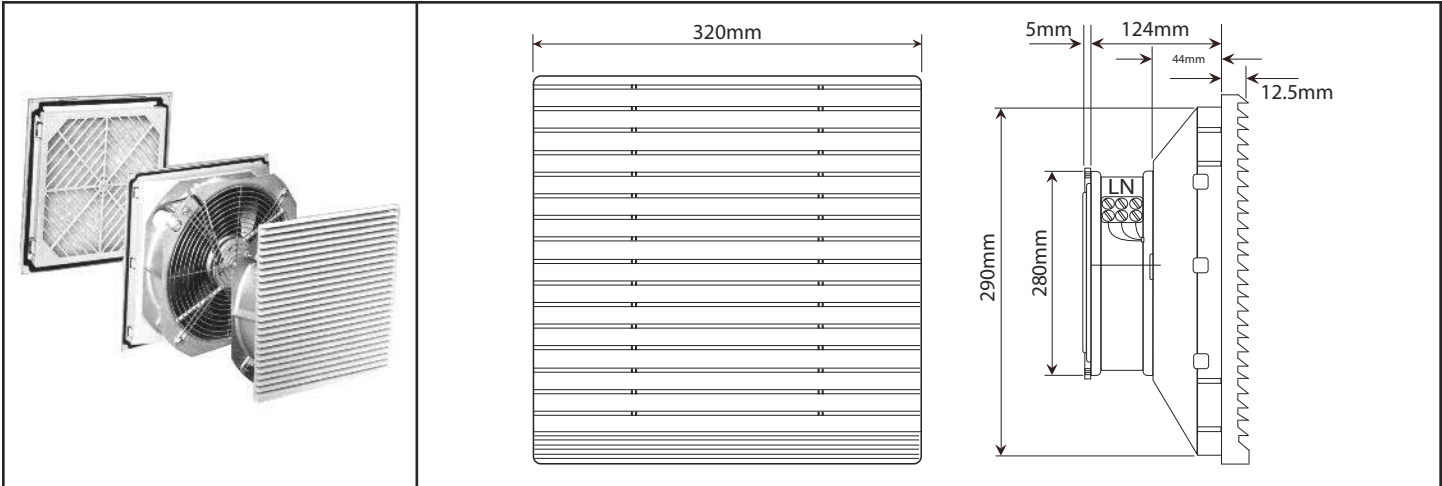
PANEL CUTOUT

* Note: Airflow data is for the fan without the louvered filter attached. Calculations indicate that up to a 40% reduction (~ 510 CFM) in fan airflow is possible with LFG unit installed.

OA280LFG111T

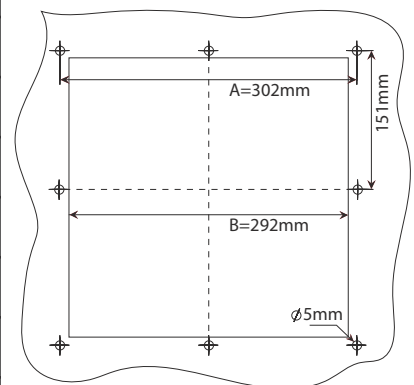


Louvered Fan Guard Kit with Fan Installed AC Fan - 115V, 230V



| | | | |
|---------------------|--------------------------------------|---|--|
| Frame | Diecast Aluminum | Operating Temperature Ball Bearing -40C ~ +60C Storage Temp -40C ~ +80C Life Expectancy Ball Bearing 40,000 hours (L10 at 40C) Environmental: IP55 Rated Fan IP54 Rated Guard Guard Frame: ABS Resin UL94V-0 Color: Black (standard) or Gray (shown) Filter Mesh: Nylon fiber Synthetic Resin m2 | |
| Impeller | Metal | | |
| Connection | Terminal Block, 18AWG | | |
| Motor | Capacitor drive, thermally protected | | |
| Bearing System | Dual ball | | |
| Insulation | Class F | | |
| Dielectric Strength | 1 min at 1,500 VAC, 50/60Hz | | |

| Part Number | OA280LFG111T | OA280LFG221T |
|------------------------------|--------------------------------|--------------------------------|
| Nominal Voltage | 115VAC | 230VAC |
| Voltage Range | 100 ~ 125VAC | 200 ~ 240VAC |
| Rated Power | 112 / 148 W | 119 / 158 W |
| Nominal Current | 1.0 / 1.5 A | 0.59 / 0.82 A |
| Rated Speed (RPM) 50/60Hz | 2,550 / 2,700 | 2,550 / 2,700 |
| Airflow (CFM) 50/60Hz | 1,190 / 1,130 * | 1,190 / 1,130 * |
| Noise Level (dB) 50/60Hz | 68 / 70 | 68 / 70 |
| Max. Static Pressure 50/60Hz | 0.78" / 0.65" H ₂ O | 0.78" / 0.65" H ₂ O |



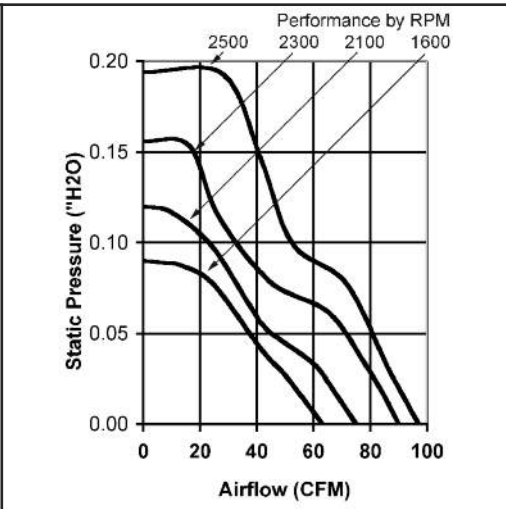
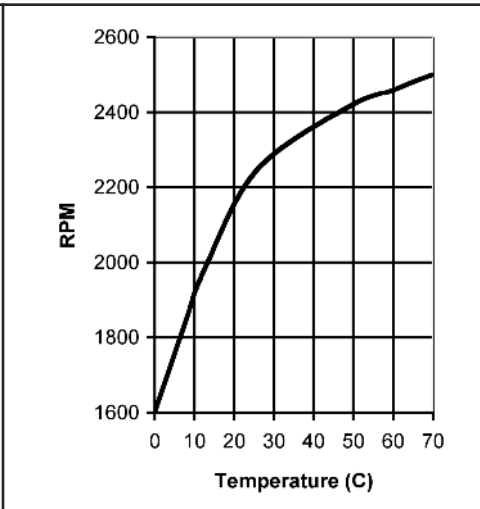
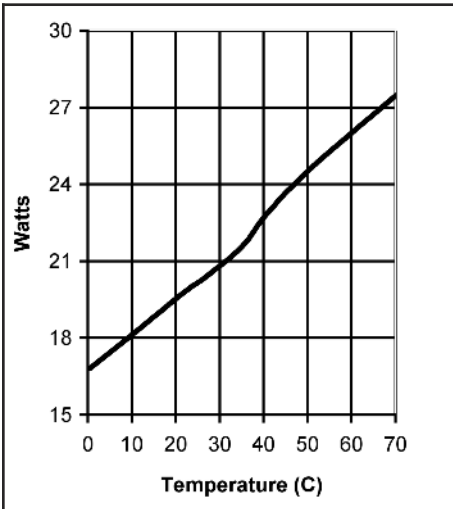
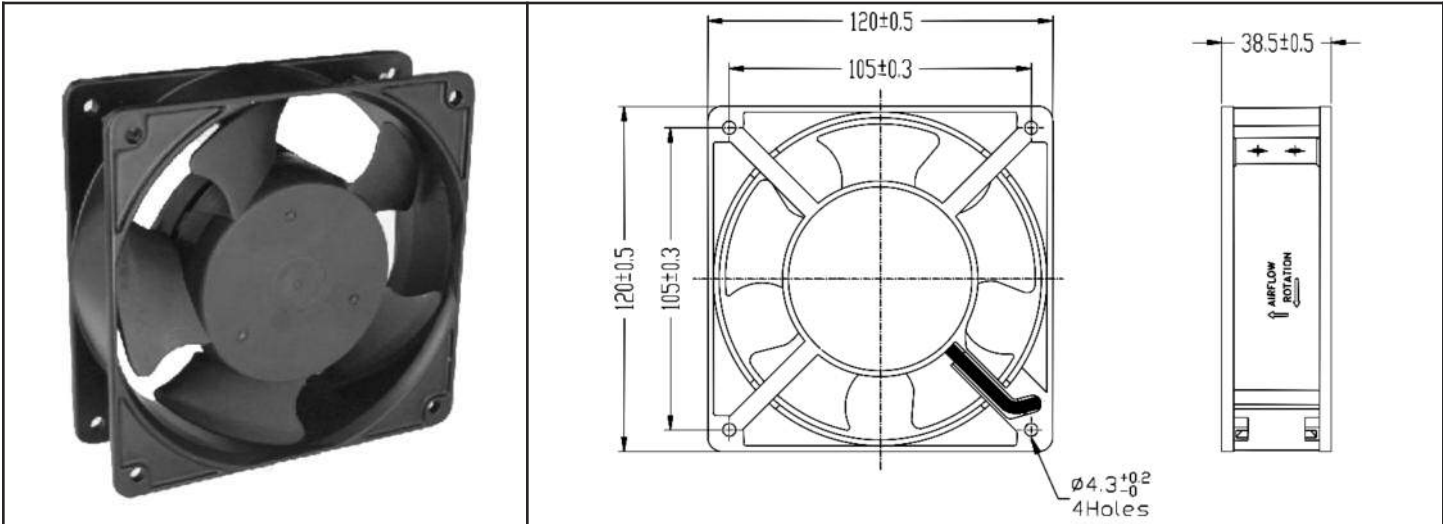
PANEL CUTOUT

* Note: Airflow data is for the fan without the louvered filter attached. Calculations indicate that up to a 40% reduction (~ 318 / ~ 360 CFM) in fan airflow is possible with LFG unit installed.

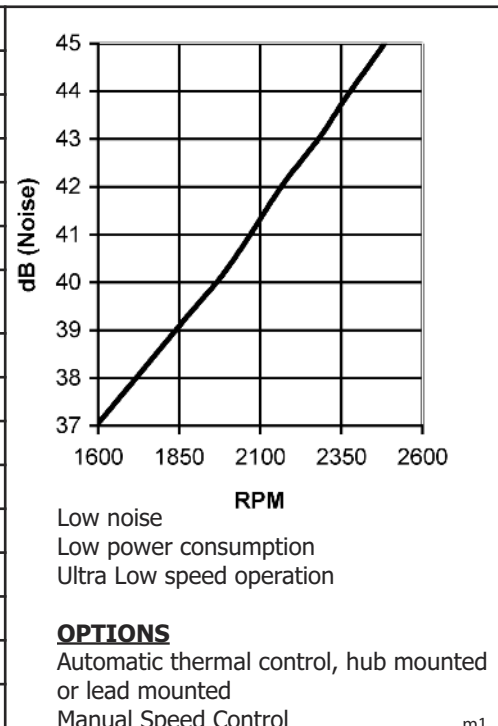
OA109 Temperature Control



AC Fan - 115V, 230V
120 x 38mm (4.7" x 1.5")



| | | |
|-------------------------------|---|------------------|
| Part Number | OA109AP-11-1TB03 | OA109AP-22-1TB03 |
| Frame | Aluminum Alloy | |
| Impeller | PBT, UL94V-0 plastic | |
| Connection | Terminal | Terminal |
| Motor | AC shaded pole, impedance overload protected | |
| Bearing System | Dual ball | Dual Ball |
| Insulation Resistance | >100M ohm between leadwire and frame (500VDC) | |
| Dielectric Strength | 1 min at 1,500 VAC, 50/60Hz | |
| Nominal Voltage | 115 VAC (60Hz) | 230 VAC (60Hz) |
| Nominal Current (0C ~ 70C) | 0.20 ~ 0.25 A | 0.07 ~ 0.12 A |
| Rated Power (0C ~ 70C) | 16 ~ 27.6 W | 8 ~ 19.5 W |
| Rated Speed (RPM) (0C ~ 70C) | 1,600 ~ 2,500 | 1,600 ~ 2,500 |
| Airflow (CFM) | 63 ~ 97 | 63 ~ 97 |
| Noise Level (dB) | 37 ~ 45 | 37 ~ 45 |
| Operating Temperature | -10C ~ +70C | |
| Life Expectancy | 60,000 hours L10 @ 40C | |



Spot Cooling



| | |
|-----------------------|---|
| Complete Kit | OD1232-SPOT / DIN Includes: 120x32mm Fan DIN rail DIN mount fan bracket Mounting screws 2 fan guards Power adaptor with 6' cord Automotive grade, double-sided, mount anywhere tape |
| Spot Cooler Only | OD1232-SPOT Includes: 120x32mm Fan 1 fan guard Power adaptor with 6' cord |
| Fan ID | OD1232-12HB-03 |
| VOLTAGE INPUT | 120VAC / 60Hz |
| INPUT POWER | 19 Watts |
| DC Nominal Current | 0.60 A |
| DC Locked Current | 0.05 A |
| Rated Speed (RPM) | 1,600 ~ 3,750 |
| Airflow * | 65CFM @ 25C / 120CFM @ 40C |
| Noise Level (dB) | 20 ~ 47 |
| Max. Static Pressure | 0.43" H ₂ O |
| Bearing System | Dual Ball |
| Frame & Impeller | PBT, UL94V-0 plastic |
| Motor | Brushless DC, auto restart, polarity protected. Thermal Control. |
| Bearing System | Dual ball bearing |
| Insulation Resistance | 10M ohm between leadwire and frame (500VDC) |
| Dielectric Strength | 5mA max at 1,500VAC for 1 minute between the leadwire and frame |
| Operation Temperature | -10C ~ +70C |
| Life (L10) | 60,000 hours |
| Storage Temperature | -20C~+80C |

Extend the Life of Your Equipment

Thermal Speed Control
Airflow Range

65 CFM at 25C
120 CFM at 40C

Energy Saving Solution for your Green Initiative

Clips to standard DIN rail



Plugs into any 115VAC power source

OD1232-SPOT / DIN

Part Number - 124141794
120x32mm
Thermally controlled Fan *
6' Cord with adaptor
2 guards (1 installed)
DIN rail
DIN mount fan bracket
Mounting screws
Automotive grade, double-sided, mount anywhere tape

OD1232-SPOT

Part Number - 124141794
120x32mm
Thermally controlled Fan *
6' Cord with adaptor
1 guard installed



OD9225-SPOT - Instant smart cooling for small spaces is also available in a smaller package

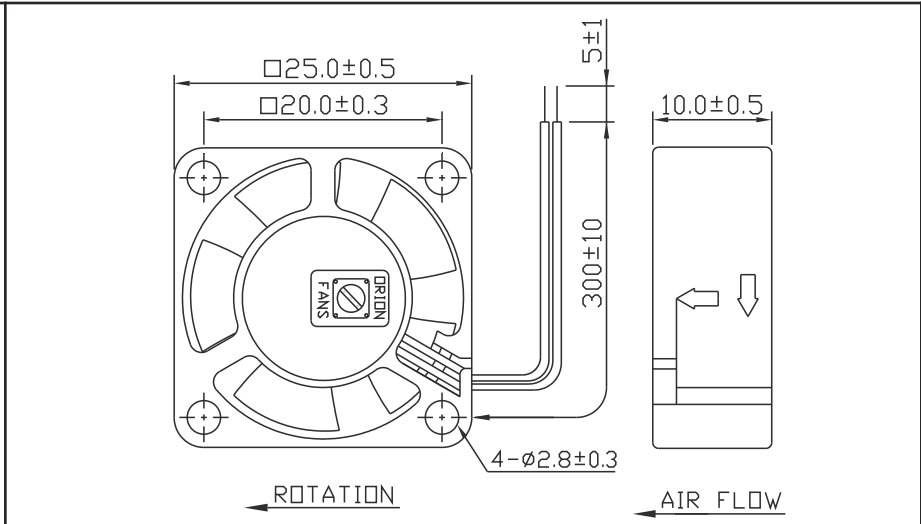
Part Number - 193141791
92x25mm thermally controlled fan.
[50CFM (3,100RPM) at 34C to < 30CFM (1,600RPM) at 22C]
6' cord with adaptor
1 guard installed



OD2510 Series



DC Fan - 5, 12V
25 x 10mm (1.0" x 0.39")



| | | | |
|-----------------------|--|--|--|
| Frame & Impeller | PBT, UL94V-0 plastic | Available Options: Tachometer Alarm <u>Life Expectancy (L10)</u> Ball - 60,000 hrs (45C) Sleeve - 30,000 hrs (45C) <u>Operating Temperature</u> Ball: -20C ~ +75C Sleeve: -10C ~ 50C Weight: ~ 0.02 lbs m1 | |
| Connection | 2x Lead wires 28AWG | | |
| Motor | Brushless DC, auto restart, impedance and polarity protected | | |
| Bearing System | Ball bearing or Sleeve | | |
| Insulation Resistance | 10M ohm between leadwire and frame (500VDC) | | |
| Dielectric Strength | 1 minute at 500 VAC, max leakage < 500 MicroAmp | | |
| Storage Temperature | -40C ~ +80C | | |

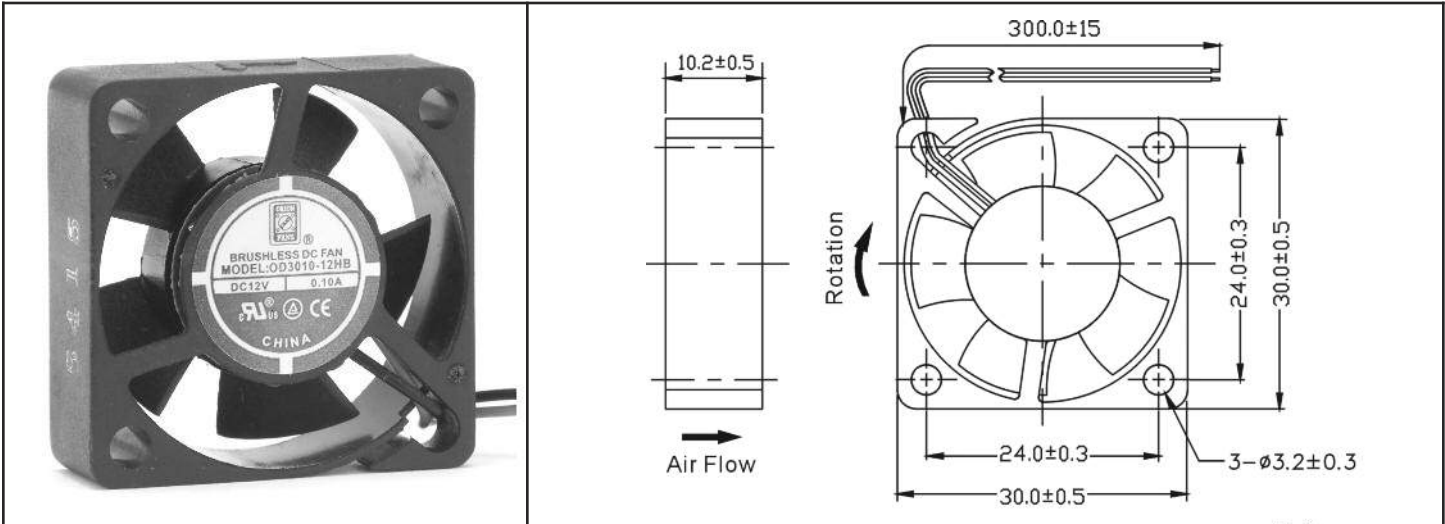
| Model Number | Speed (RPM) | Airflow (CFM) | Noise (dB) | Volts DC | Voltage Range (VDC) | Amps | Max. Static Pressure ("H ₂ O) |
|---------------|-------------|---------------|------------|----------|---------------------|------|--|
| OD2510-05H * | 12,000 | 2.7 | 31 | 5 | 4.0 ~ 5.5 | 0.14 | 0.23 |
| OD2510-05M * | 10,000 | 2.2 | 24 | 5 | 4.0 ~ 5.5 | 0.12 | 0.17 |
| OD2510-05L * | 8,000 | 1.8 | 18 | 5 | 4.0 ~ 5.5 | 0.10 | 0.12 |
| OD2510-12H * | 12,000 | 2.7 | 31 | 12 | 6.0 ~ 16 | 0.09 | 0.23 |
| OD2510-12M * | 10,000 | 2.2 | 24 | 12 | 6.0 ~ 16 | 0.08 | 0.17 |
| OD2510-12L * | 8,000 | 1.8 | 16 | 12 | 6.0 ~ 16 | 0.04 | 0.12 |
| OD2510-12LL * | 7,000 | 1.45 | 15 | 12 | 9.0 ~ 13.2 | 0.07 | 0.07 |

* Indicate "B" for ball bearing or "S" for sleeve bearing

OD3010 Series



DC Fan - 5, 12V
30 x 10mm (1.18" x 0.39")



| | | | |
|-----------------------|--|---|--|
| Frame & Impeller | PBT, UL94V-0 plastic | Available Options: Tachometer Alarm <u>Life Expectancy (L10)</u> Ball - 60,000 hrs (45C) Sleeve - 30,000 hrs (45C) <u>Operating Temperature</u> Ball: -20C ~ +75C Sleeve: -10C ~ +60C Weight: ~ 0.02 lbs m4 | |
| Connection | 2x Lead wires 28AWG | | |
| Motor | Brushless DC, auto restart, impedance and polarity protected | | |
| Bearing System | Ball bearing or Sleeve | | |
| Insulation Resistance | 10M ohm between leadwire and frame (500VDC) | | |
| Dielectric Strength | 1 minute at 500 VAC, max leakage < 500 MicroAmp | | |
| Storage Temperature | -40C ~ +80C | | |

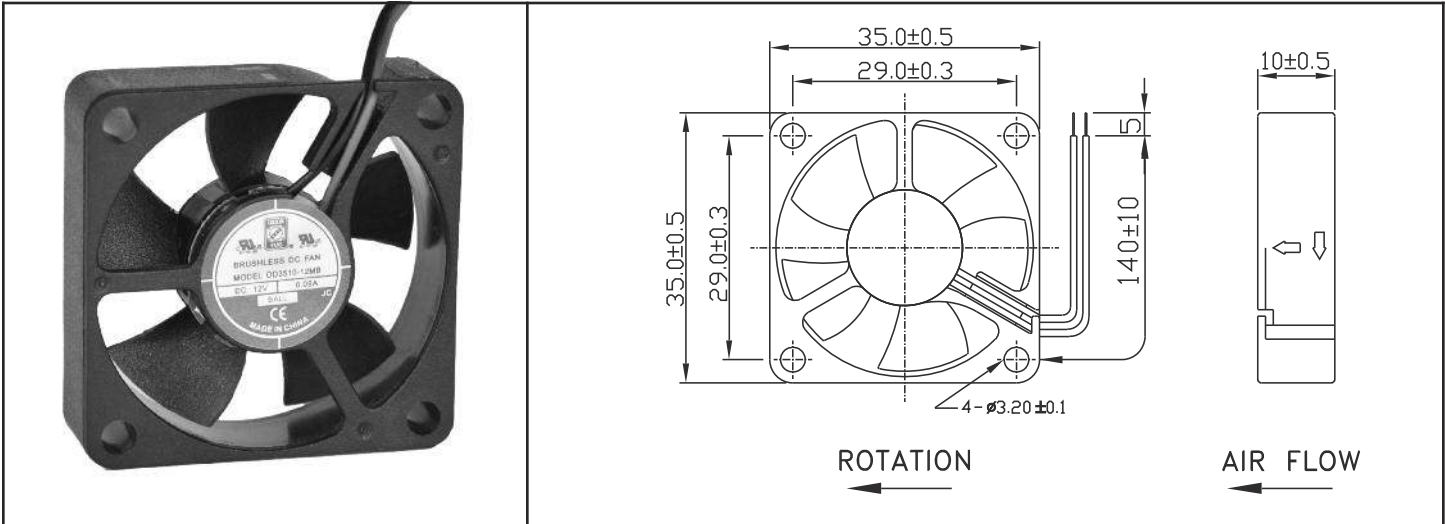
| Model Number | Speed (RPM) | Airflow (CFM) | Noise (dB) | Volts DC | Voltage Range (VDC) | Amps | Max. Static Pressure ("H ₂ O) |
|---------------|-------------|---------------|------------|----------|---------------------|------|--|
| OD3010-05H * | 10,000 | 4.6 | 31 | 05 | 4.5~5.5 | 0.17 | 0.20 |
| OD3010-05MB * | 9,000 | 4.0 | 30 | 05 | 4.5~5.5 | 0.08 | 0.17 |
| OD3010-12H * | 10,000 | 4.6 | 31 | 12 | 9~13.2 | 0.10 | 0.20 |
| OD3010-12M * | 9,000 | 4.0 | 27 | 12 | 9~13.2 | 0.09 | 0.17 |
| OD3010-12L * | 8,000 | 3.0 | 20 | 12 | 9~13.2 | 0.06 | 0.11 |

* Indicate "B" for ball bearing or "S" for sleeve bearing

OD3510 Series

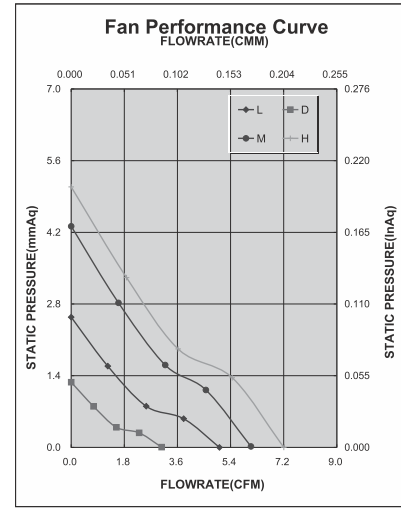


DC Fan - 5, 12Vdc
35 x 10mm (1.38" x 0.39")



| | |
|-----------------------|--|
| Frame & Impeller | PBT, UL94V-0 plastic |
| Connection | 2x Lead wires 28AWG |
| Motor | Brushless DC, auto restart, polarity protected |
| Bearing System | Dual ball bearing |
| Insulation Resistance | Min. 10M at 500VDC |
| Dielectric Strength | 1 second at 500 VAC, max leakage 500 MicroAmp |
| Temperature Range | -10C ~ +70C |
| Storage Temperature | -40C ~ +80C |
| Life (L10) | 70,000 hours (40C) |

Available Options:
 IP55
 Other speeds and voltages
 Tachometer
 Alarm
 * Connection:
 Wire Leads - UL 1571
 28AWG Red (+), Black (-),
 Weight: .02 lbs.

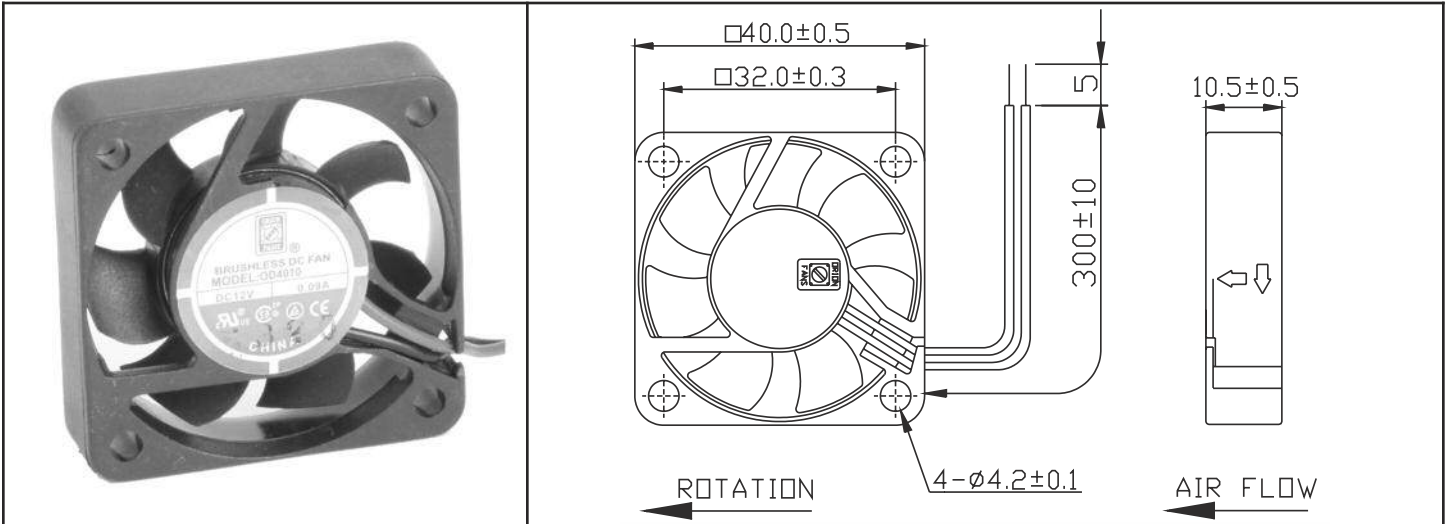


| Model Number | Speed (RPM) | Airflow (CFM) | Noise (dB) | Volts DC | Voltage Range | Nominal Current | Input Power (Watts) | Max. Static Pressure ("H ₂ O) |
|--------------|-------------|---------------|------------|----------|---------------|-----------------|---------------------|--|
| OD3510-05MB | 8,000 | 6 | 32 | 5 | 4~5.5 VDC | .075 A | .65 | 0.17 |
| OD3510-12MB | 8,000 | 6 | 32 | 12 | 9~13.2 VDC | .065 A | 1.56 | 0.17 |
| OD3510-12LLB | 4,500 | 3 | 17 | 12 | 9~13.2 VDC | .04 A | .60 | .05 |

OD4010 Series



DC Fan - 5, 12, 24V
40 x 10mm (1.58" x 0.39")



| | | | |
|-----------------------|--|--|--|
| Frame & Impeller | PBT, UL94V-0 plastic | Available Options: Tachometer Alarm PWM Sleeve bearing Life Expectancy (L10) Ball - 60,000 hrs (45C) Sleeve - 30,000 hrs (45C) Operating Temperature Ball: -20C ~ +75C Weight: ~ 0.04 lbs | |
| Connection | 2x Lead wires 26AWG | | |
| Motor | Brushless DC, auto restart, impedance and polarity protected | | |
| Bearing System | Ball bearing | | |
| Insulation Resistance | 10M ohm between leadwire and frame (500VDC) | | |
| Dielectric Strength | 1 minute at 500 VAC, max leakage < 500 MicroAmp | | |
| Storage Temperature | -40C ~ +80C | | |

| Model Number | Speed (RPM) | Airflow (CFM) | Noise (dB) | Volts DC | Voltage Range (VDC) | Amps | Max. Static Pressure ("H ₂ O) |
|--------------|-------------|---------------|------------|----------|---------------------|------|--|
| OD4010-05H* | 6,000 | 7 | 25 | 5 | 4 ~ 5.5 | 0.19 | 0.10 |
| OD4010-05M* | 4,800 | 6 | 20 | 5 | 4 ~ 5.5 | 0.11 | 0.08 |
| OD4010-05L* | 4,200 | 5 | 14 | 5 | 4 ~ 5.5 | 0.08 | 0.06 |
| OD4010-12H* | 6,000 | 7 | 25 | 12 | 10.8 ~ 13.2 | 0.10 | 0.10 |
| OD4010-12M* | 4,800 | 6 | 20 | 12 | 10.8 ~ 13.2 | 0.08 | 0.08 |
| OD4010-12L* | 4,200 | 5 | 14 | 12 | 10.8 ~ 13.2 | 0.07 | 0.06 |
| OD4010-24H* | 6,000 | 7 | 25 | 24 | 21.6 ~ 26.4 | 0.09 | 0.10 |
| OD4010-24M* | 4,800 | 6 | 20 | 24 | 21.6 ~ 26.4 | 0.08 | 0.08 |
| OD4010-24L* | 4,200 | 5 | 14 | 24 | 21.6 ~ 26.4 | 0.07 | 0.06 |

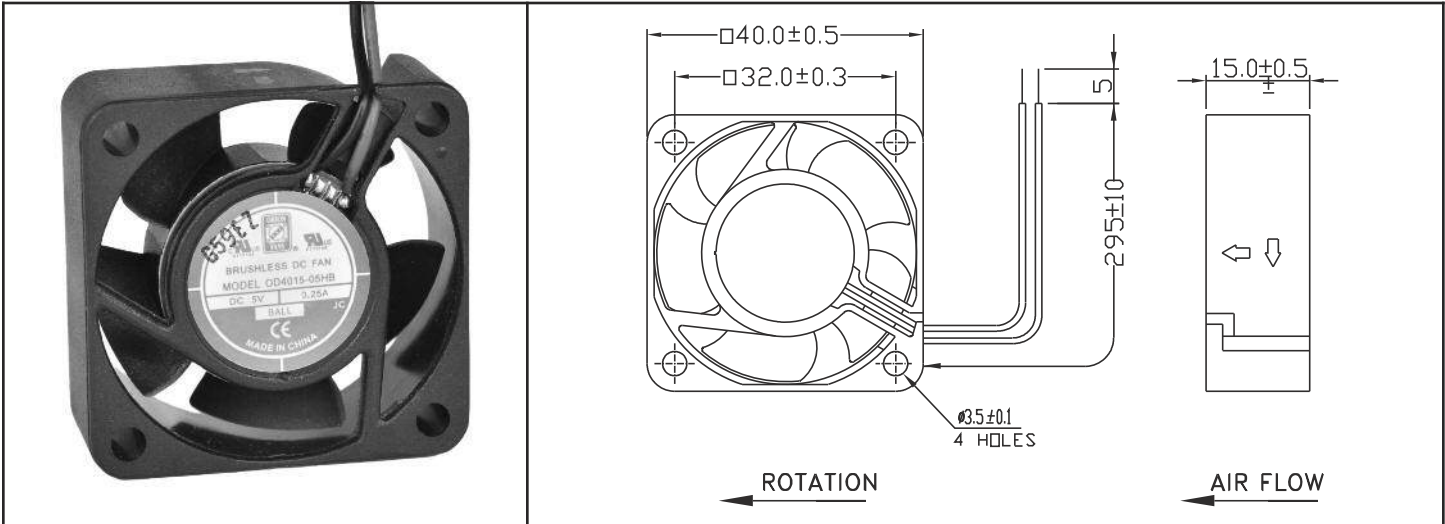
To indicate sleeve bearing replace "B" suffix with "S" in part number (30,000 hrs life expectancy)

To indicate sealed sleeve bearing replace "B" with "SS" in part number (50,000 hrs life expectancy)

OD4015 Series



DC Fan - 5, 12, 24VDC
40 x 15mm (1.58" x 0.59")

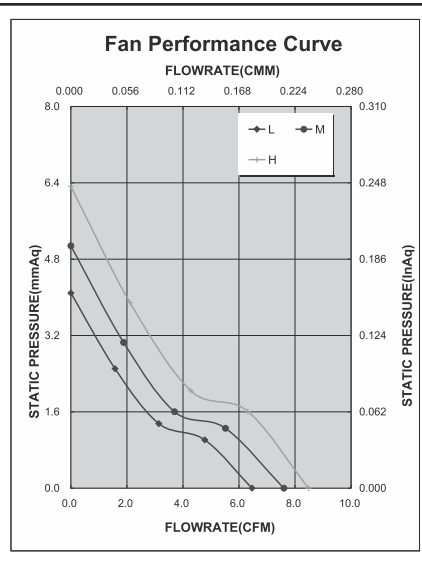


| | |
|-----------------------|---|
| Frame & Impeller | PBT, UL94V-0 plastic |
| Connection | 2x Lead wires * |
| Motor | Brushless DC, auto restart, polarity protected |
| Bearing System | Dual ball bearing |
| Insulation Resistance | Min. 10M at 500VDC |
| Dielectric Strength | 1 second at 500 VAC, max leakage < 500 MicroAmp |
| Temperature Range | -10C ~ +70C |
| Storage Temperature | -40C ~ +80C |
| Life (L10) | 70,000 hours (40C) |

Available Options:
IP55
Other speeds and voltages
Tachometer Alarm

*Connection:
Wire Leads UL 1007
26AWG Red (+), Black (-)

Weight: .05 lbs.

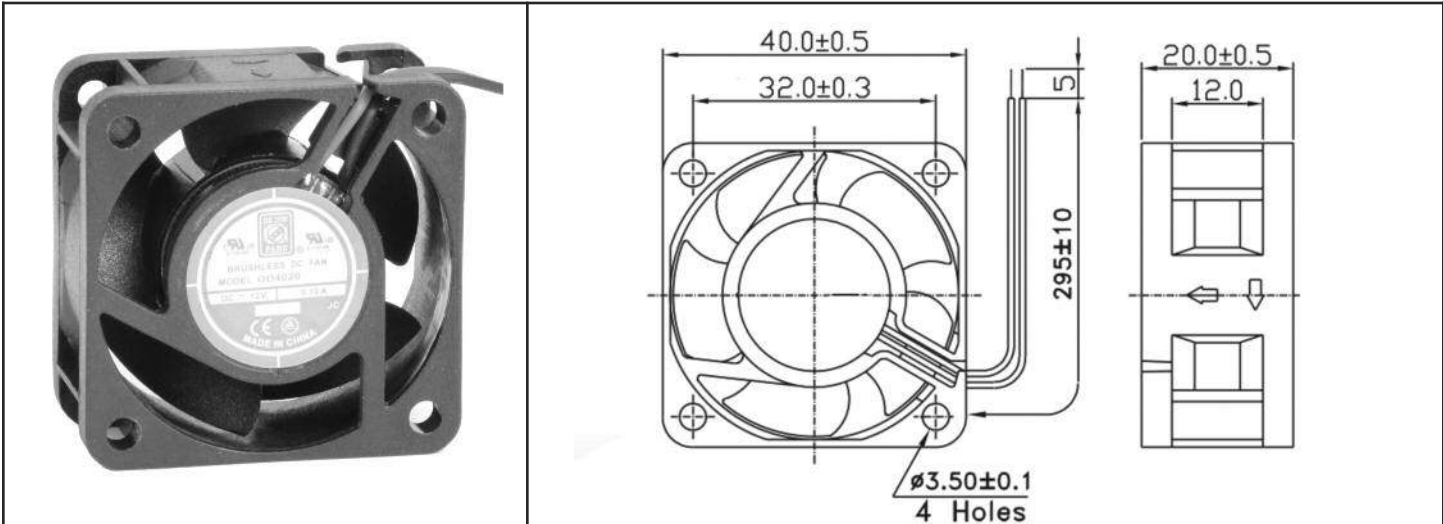


| Model Number | Part Number | Speed (RPM) | Airflow (CFM) | Noise (dB) | Volts DC | Voltage Range | Nominal Current | Input Power (Watts) | Max. Static Pressure ("H ₂ O) |
|--------------|-------------|-------------|---------------|------------|----------|---------------|-----------------|---------------------|--|
| OD4015-05HB | 146541001 | 8,000 | 8.5 | 36 | 5 | 4~5.5 VDC | .25 A | 1.5 | .25 |
| OD4015-05LB | 145121001 | 6,000 | 6.8 | 26 | 5 | 4~5.5 VDC | .15 A | 1.5 | .16 |
| OD4015-12HB | 146141001 | 8,000 | 8.5 | 36 | 12 | 9~13.2 VDC | .11 A | 1.8 | .25 |
| OD4015-12MB | 146131001 | 7,000 | 8.1 | 32 | 12 | 9~13.2 VDC | .088 A | 1.4 | .23 |
| OD4015-12LB | 146121001 | 6,000 | 6.8 | 26 | 12 | 9~13.2 VDC | .052 A | 1.2 | .16 |
| OD4015-24HB | 146241001 | 8,000 | 8.5 | 36 | 24 | 17~26.4 VDC | .06 A | 1.92 | .25 |
| OD4015-24LB | 146221001 | 6,000 | 6.8 | 29 | 24 | 17~26.4 VDC | .06 A | 1.92 | .16 |

OD4020 Series



DC Fan - 5, 12, 24V
40 x 20mm (1.58" x 0.79")



| | | | |
|-----------------------|--|---|--|
| Frame & Impeller | PBT, UL94V-0 plastic | Available Options: Sleeve Bearing Sealed Sleeve Bearing Tachometer Alarm Life Expectancy (L10) Ball - 60,000 hrs (45C) Sleeve - 30,000 hrs (45C) Operating Temperature Ball: -20C ~ 75C Weight: ~0.06 lbs. | |
| Connection | 2x Lead wires 26AWG | | |
| Motor | Brushless DC, auto restart, impedance and polarity protected | | |
| Bearing System | Ball bearing | | |
| Insulation Resistance | 10M ohm between leadwire and frame (500VDC) | | |
| Dielectric Strength | 1 minute at 500 VAC, max leakage < 500 MicroAmp | | |
| Storage Temperature | -40C ~ +80C | | |

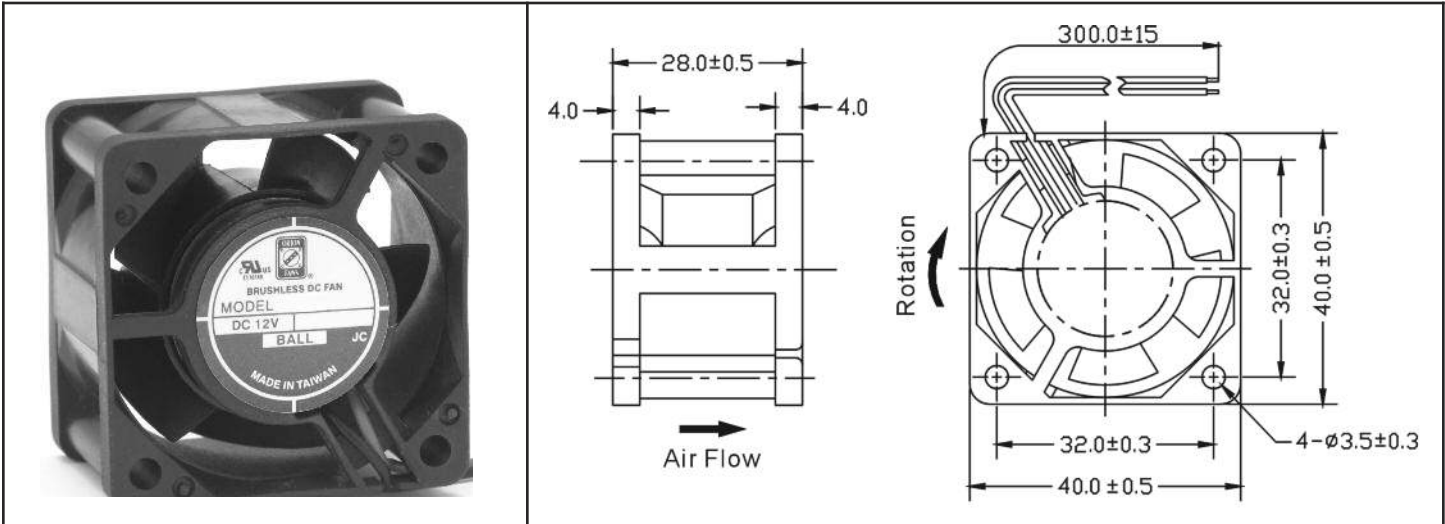
| Model Number | Speed (RPM) | Airflow (CFM) | Noise (dB) | Volts DC | Voltage Range (VDC) | Amps | Max. Static Pressure ("H ₂ O) |
|--------------|-------------|---------------|------------|----------|---------------------|------|--|
| OD4020-05HB | 7,800 | 9 | 36 | 5 | 4 ~ 7 | 0.29 | 0.30 |
| OD4020-05MB | 6,900 | 8 | 33 | 5 | 4 ~ 7 | 0.16 | 0.24 |
| OD4020-05LB | 6,200 | 7 | 30 | 5 | 4 ~ 7 | 0.14 | 0.19 |
| OD4020-12HB | 7,800 | 9 | 36 | 12 | 7 ~ 14 | 0.10 | 0.30 |
| OD4020-12MB | 6,900 | 8 | 33 | 12 | 7 ~ 14 | 0.08 | 0.24 |
| OD4020-12LB | 6,200 | 7 | 30 | 12 | 7 ~ 14 | 0.07 | 0.19 |
| OD4020-24HB | 7,800 | 9 | 36 | 24 | 10 ~ 27 | 0.09 | 0.30 |
| OD4020-24MB | 6,900 | 8 | 33 | 24 | 10 ~ 27 | 0.07 | 0.24 |
| OD4020-24LB | 6,200 | 7 | 30 | 24 | 10 ~ 27 | 0.06 | 0.19 |

To indicate sleeve bearing replace "B" suffix with "S" in part number (30,000 hrs life expectancy)
 To indicate sealed sleeve bearing replace "B" with "SS" in part number (50,000 hrs life expectancy)

OD4028 Series



DC Fan - 5, 12, 24V
40 x 28mm (1.58" x 1.10")



| | | | |
|-----------------------|--|--|--|
| Frame & Impeller | PBT, UL94V-0 plastic | Available Options: Tachometer Alarm PWM (Pulse Width Modulated speed control) Thermistor (Thermal Speed Control) Life Expectancy (L10) Ball - 60,000 hrs (45C) Sleeve - 30,000 hrs (45C) Operating Temperature Ball: -20C ~ 75C Sleeve: -10C ~ 50C Weight: ~ 0.08 lbs m1/m4 | |
| Connection | 2x Lead wires 26AWG | | |
| Motor | Brushless DC, auto restart, impedance and polarity protected | | |
| Bearing System | Ball bearing or Sleeve | | |
| Insulation Resistance | 10M ohm between leadwire and frame (500VDC) | | |
| Dielectric Strength | 1 minute at 500 VAC, max leakage < 500 MicroAmp | | |
| Storage Temperature | -40C ~ +80C | | |

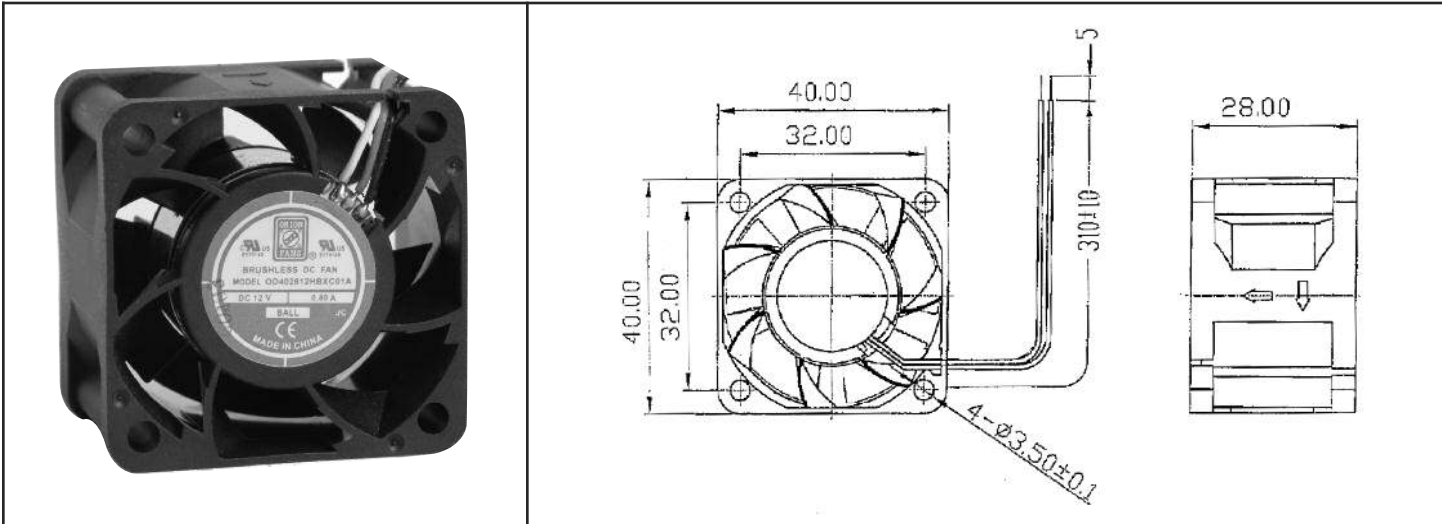
| Model Number | Speed (RPM) | Airflow (CFM) | Noise (dB) | Volts DC | Voltage Range (VDC) | Amps | Max. Static Pressure ("H ₂ O) |
|--------------|-------------|---------------|------------|----------|---------------------|------|--|
| OD4028-05H * | 7,500 | 10 | 32 | 5 | 3.5 ~ 6 | 0.35 | 0.24 |
| OD4028-05M * | 6,500 | 9 | 29 | 5 | 4~7 | 0.30 | 0.17 |
| OD4028-05L * | 5,000 | 7 | 25 | 5 | 4~7 | 0.22 | 0.10 |
| OD4028-12H * | 8,800 | 12 | 37 | 12 | 7~14 | 0.20 | 0.32 |
| OD4028-12M * | 8,000 | 11 | 35 | 12 | 7~14 | 0.18 | 0.25 |
| OD4028-12L * | 5,000 | 7 | 25 | 12 | 7~14 | 0.12 | 0.10 |
| OD4028-24H * | 8,800 | 12 | 37 | 24 | 10~27 | 0.16 | 0.32 |
| OD4028-24M * | 8,000 | 11 | 35 | 24 | 10~27 | 0.12 | 0.25 |
| OD4028-24L * | 5,000 | 7 | 25 | 24 | 10~27 | 0.09 | 0.10 |

* Indicate "B" for ball bearing or "S" for sleeve bearing

OD4028 - XC Series



DC Fan - 12V, 24V High Speed
40 x 28mm (1.58" x 1.10")



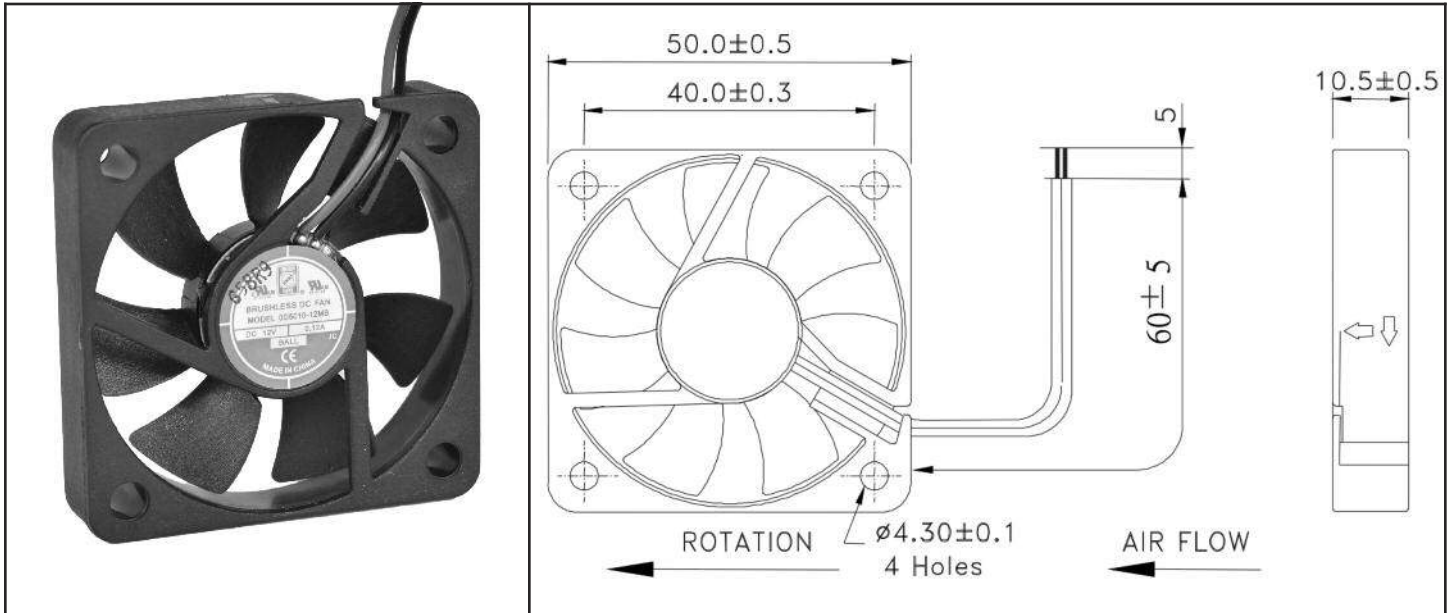
| | | | |
|-----------------------|---|--|--|
| Frame & Impeller | PBT, UL94V-0 plastic | Available Options: Tachometer Alarm PWM Life Expectancy (L10) 50,000 hours (40C) Weight: ~ 0.09 lbs m1 | |
| Connection | 2x Lead wires | | |
| Motor | Brushless DC, auto restart, polarity protected. | | |
| Bearing System | Dual ball bearing | | |
| Insulation Resistance | Min. 10M at 500VDC | | |
| Dielectric Strength | 1 minute at 500 VAC, max leakage < 500 MicroAmp | | |
| Temperature Range | -20C ~ +75C | | |
| Storage Temperature | -40C ~ +80C | | |

| Part Number | OD4028-12HBXC | OD4028-24HBXC |
|----------------------|------------------------|------------------------|
| Nominal Voltage | 12 VDC | 24 VDC |
| Voltage Range | 10.8 ~ 13.2 VDC | 21.6 ~ 26.4 VDC |
| Nominal Current | 0.8 A | 0.035 A |
| Start-up Voltage | 9.0 VDC | 17.0 VDC |
| Rated Power | 9.5 W | 8.4 W |
| Rated Speed (RPM) | 16,000 | 16,000 |
| Airflow (CFM) | 26.5 | 26.5 |
| Noise Level (dB) | 57 | 57 |
| Max. Static Pressure | 1.60" H ₂ O | 1.60" H ₂ O |

OD5010 Series



DC Fan - 5, 12, 24V
50 x 10mm (1.97" x 0.39")



| | | | |
|-----------------------|--|---|--|
| Frame & Impeller | PBT, UL94V-0 plastic | Available Options: Tachometer Alarm <u>Life Expectancy (L10)</u> 60,000 hrs Ball 50,000 hrs Sealed Sleeve 30,000 hrs Sleeve <u>Operating Temperature</u> -20C ~ +75C Weight: ~ 0.04 lbs. m1 | |
| Connection | 2x Lead wires (~290mm) 26AWG | | |
| Motor | Brushless DC, auto restart, polarity protected | | |
| Bearing System | Dual Ball, sleeve, or sealed sleeve | | |
| Insulation Resistance | 10M ohm between leadwire and frame (500VDC) | | |
| Dielectric Strength | 1 minute at 500 VAC, max leakage < 500 MicroAmp | | |
| Storage Temperature | -40C ~ +80C | | |

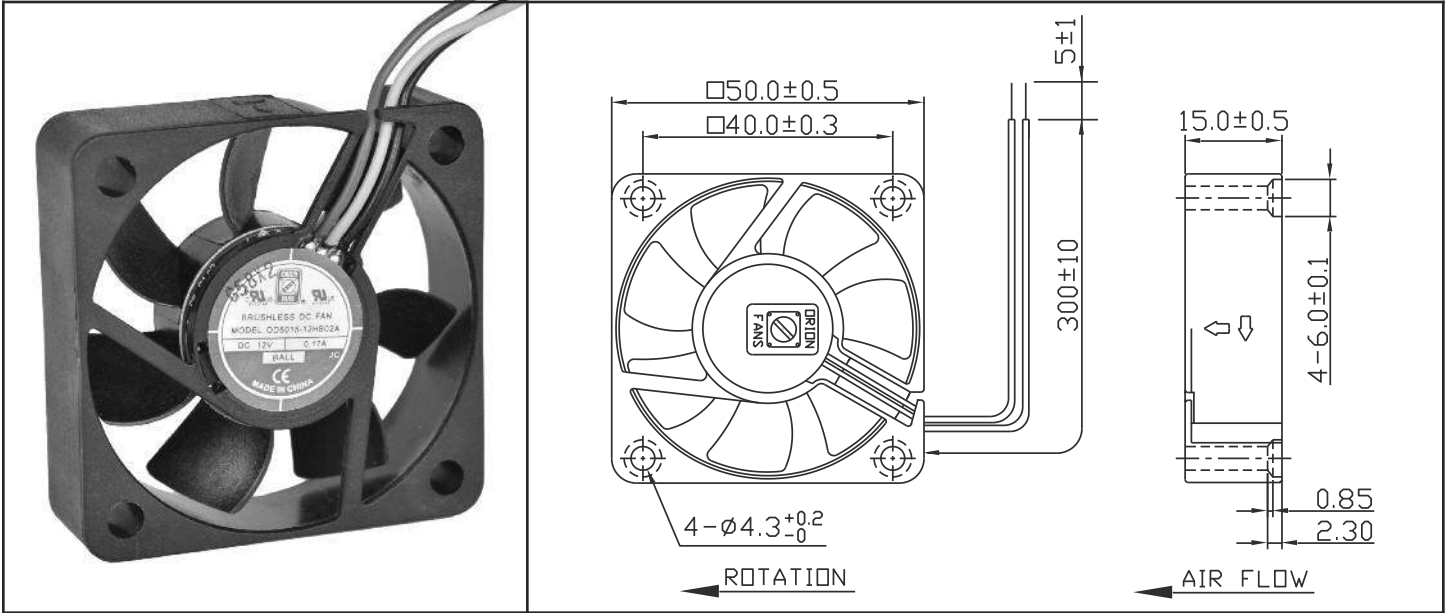
| Model Number | Speed (RPM) | Airflow (CFM) | Noise (dB) | Volts DC | Input Power (Watts) | Amps | Max. Static Pressure ("H ₂ O) |
|--------------|-------------|---------------|------------|----------|---------------------|------|--|
| OD5010-05H * | 5,200 | 11 | 28 | 5 | 1.15 | 0.23 | 0.12 |
| OD5010-05M * | 4,600 | 10 | 25 | 5 | 0.75 | 0.15 | 0.10 |
| OD5010-05L * | 3,900 | 9 | 20 | 5 | 0.45 | 0.10 | 0.06 |
| OD5010-12H * | 5,200 | 11 | 28 | 12 | 1.44 | 0.12 | 0.12 |
| OD5010-12M * | 4,600 | 10 | 25 | 12 | 1.08 | 0.09 | 0.10 |
| OD5010-12L * | 3,900 | 9 | 20 | 12 | 0.96 | 0.08 | 0.06 |
| OD5010-24H * | 5,200 | 11 | 28 | 24 | 1.92 | 0.08 | 0.12 |
| OD5010-24M * | 4,600 | 10 | 25 | 24 | 1.44 | 0.06 | 0.10 |
| OD5010-24L * | 3,900 | 9 | 20 | 24 | 1.20 | 0.05 | 0.06 |

* Indicate "B" for ball bearing, "S" for sleeve bearing, or "SS" for sealed sleeve

OD5015-12HB



DC Fan - 12V 50 x 15mm (1.96" x 0.59")



| | | | |
|-----------------------|---|---|--|
| Frame & Impeller | PBT, UL94V-0 | Notes Date: 063015 Available Options: Tachometer Alarm Other speeds and Voltages *Connection: UL 1007 26AWG, Black GND UL 1007 26AWG, Red Vcc Weight: .06 lbs. | |
| Connection | 2x Lead wires * | | |
| Motor | Brushless DC, impedance protected | | |
| Bearing System | Ball | | |
| Insulation Resistance | 10M ohm between leadwire and frame (500VDC) | | |
| Dielectric Strength | 60 seconds at 500 VAC, max leakage < 500 MicroAmp | | |
| Temperature Range | -10C ~ +70C | | |
| Life Expectancy | 70,000 hours (40C) | | |

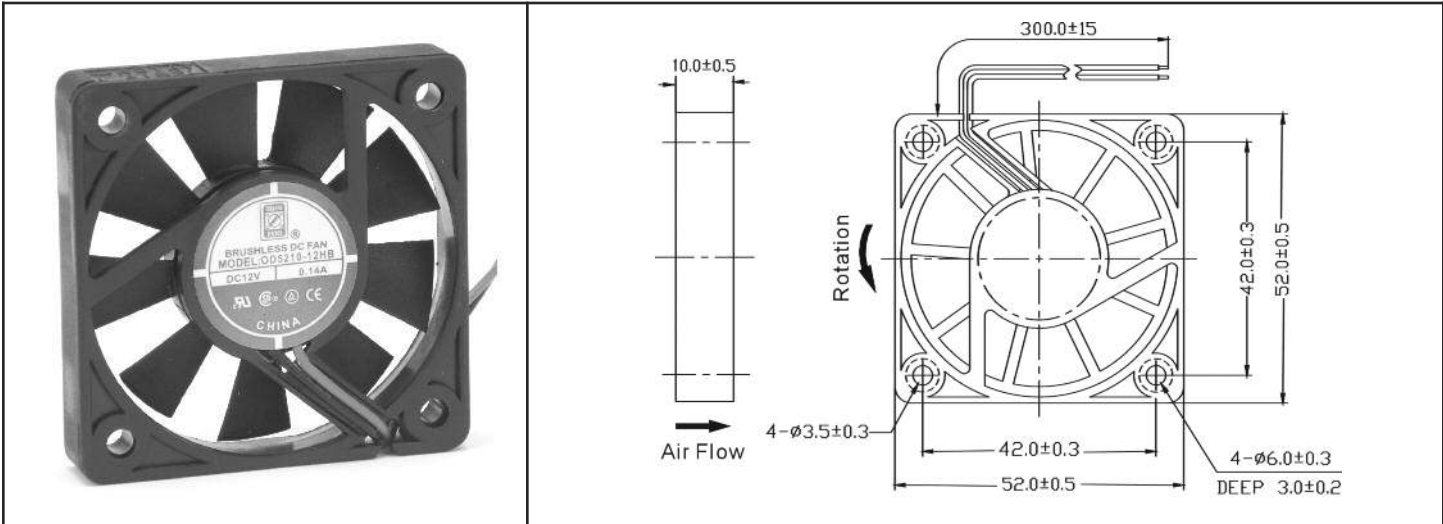
| Model Number | Part Number | Speed (RPM) | Airflow (CFM) | Noise (dB) | Volts DC | Voltage Range | Nominal Current | Input Power (Watts) | Max. Static Pressure ("H ₂ O) |
|--------------|-------------|-------------|---------------|------------|----------|---------------|-----------------|---------------------|--|
| OD5015-12HB | 106141001 | 4,800 | 14 | 30 | 12 | 9~13.2 VDC | .11 A | 1.68 | 0.13 |

* Indicate "B" for ball bearing, "S" for sleeve bearing, or "SS" for sealed sleeve

OD5210 Series



DC Fan - 5, 12V
52 x 10mm (2.05" x 0.39")



| | | | |
|-----------------------|--|---|--|
| Frame & Impeller | PBT, UL94V-0 plastic | Available Options: Tachometer Alarm Life Expectancy (L10) Ball - 60,000 hrs (45C) Sleeve - 30,000 hrs (45C) Operating Temperature Ball: -20C + 75C Sleeve: -10C ~ +50C Weight: ~ 0.05 lbs | |
| Connection | 2x Lead wires 26AWG | | |
| Motor | Brushless DC, auto restart, impedance and polarity protected | | |
| Bearing System | Ball bearing or Sleeve | | |
| Insulation Resistance | 10M ohm between leadwire and frame (500VDC) | | |
| Dielectric Strength | 1 minute at 500 VAC, max leakage < 500 MicroAmp | | |
| Storage Temperature | -40C ~ +80C | | |

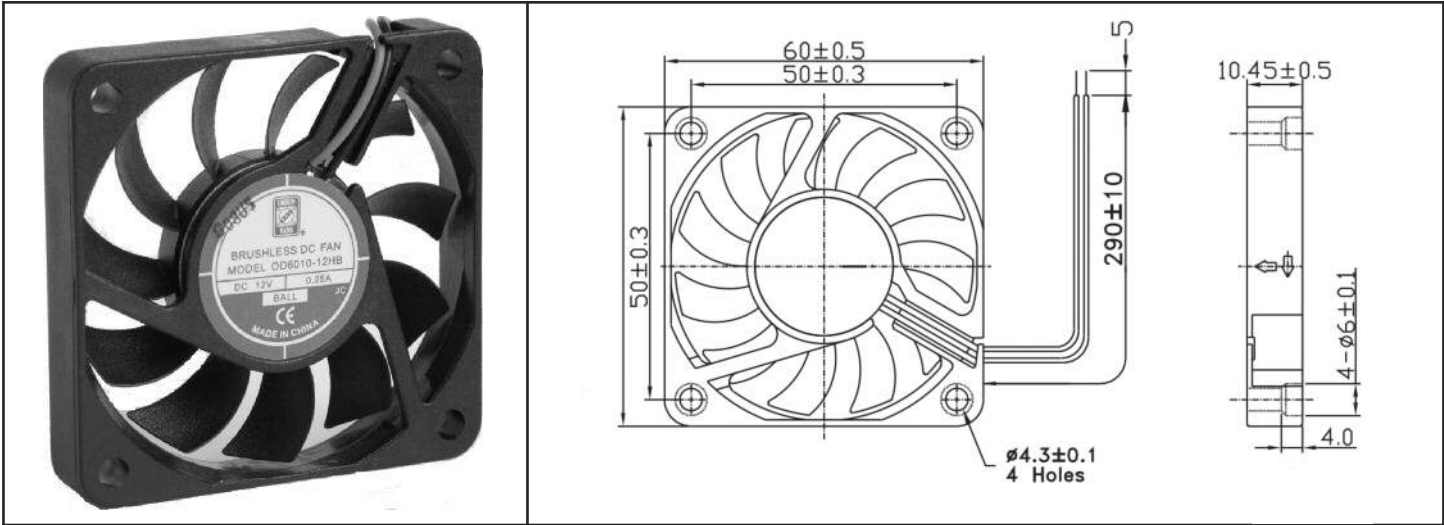
| Model Number | Speed (RPM) | Airflow (CFM) | Noise (dB) | Volts DC | Voltage Range (VDC) | Amps | Max. Static Pressure (H ₂ O) |
|--------------|-------------|---------------|------------|----------|---------------------|------|---|
| OD5210-05H * | 6,000 | 12 | 38 | 5 | 3.5~5.7 | 0.35 | 0.14 |
| OD5210-05M * | 5,000 | 10 | 32 | 5 | 3.5~5.7 | 0.21 | 0.11 |
| OD5210-12H * | 6,000 | 12 | 36 | 12 | 8~17 | 0.14 | 0.14 |
| OD5210-12M * | 5,000 | 10 | 32 | 12 | 8~17 | 0.12 | 0.11 |

* Indicate "B" for ball bearing or "S" for sleeve bearing

OD6010 Series



DC Fan - 5V, 12V
60 x 10mm (2.36" x 0.39")



| | | | |
|-----------------------|--|---|--|
| Frame & Impeller | PBT, UL94V-0 plastic | Available Options: Tachometer Alarm 24V Life Expectancy (L10) Ball - 60,000 hrs (45C) Sleeve - 30,000 hrs (45C) Operating Temperature Ball: -20C ~ +75C Sleeve: -10C ~ +50C Weight: ~ 0.07 lbs m1 | |
| Connection | 2x Lead wires 24AWG | | |
| Motor | Brushless DC, auto restart, impedance and polarity protected | | |
| Bearing System | Ball bearing or Sleeve | | |
| Insulation Resistance | 10M ohm between leadwire and frame (500VDC) | | |
| Dielectric Strength | 1 minute at 500 VAC, max leakage < 500 MicroAmp | | |
| Storage Temperature | -40C ~ +80C | | |

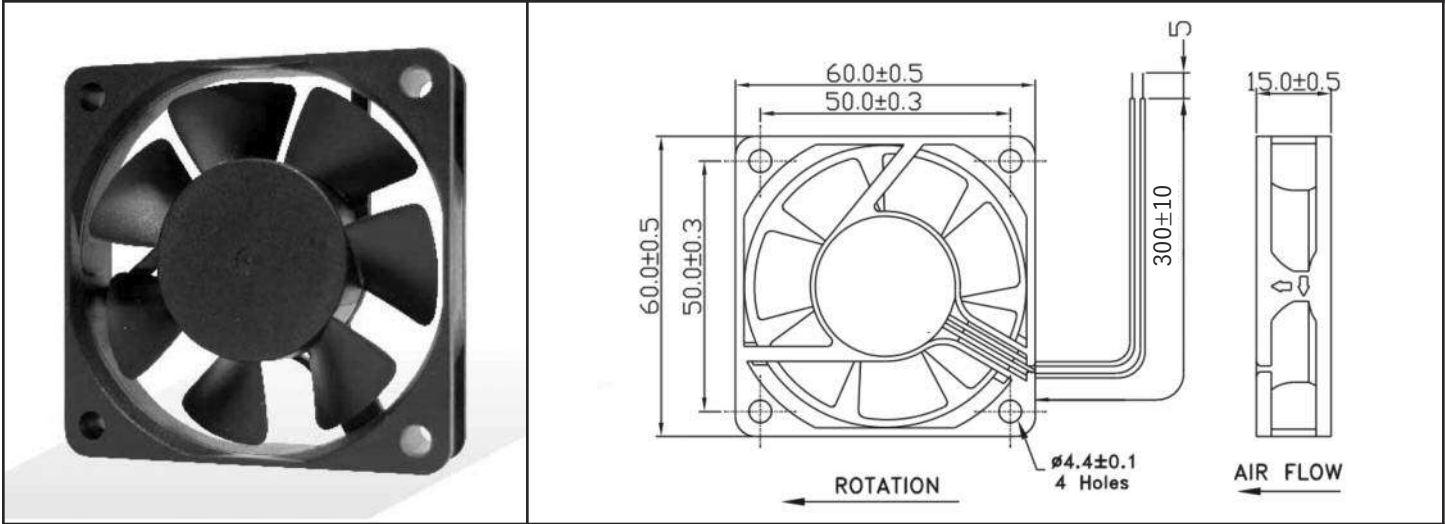
| Model Number | Speed (RPM) | Airflow (CFM) | Noise (dB) | Volts DC | Input Power (W) | Amps | Max. Static Pressure (\"H2O) |
|--------------|-------------|---------------|------------|----------|-----------------|------|------------------------------|
| OD6010-05M * | 4,000 | 17 | 31 | 5 | 1.65 | 0.33 | 0.12 |
| OD6010-05L * | 3,400 | 14 | 26 | 5 | 1.30 | 0.26 | 0.09 |
| OD6010-12H * | 4,600 | 21 | 36 | 12 | 3.00 | 0.25 | 0.16 |
| OD6010-12M * | 4,000 | 17 | 31 | 12 | 1.92 | 0.16 | 0.12 |
| OD6010-12L * | 3,400 | 14 | 26 | 12 | 1.20 | 0.10 | 0.09 |

* Indicate "B" for ball bearing or "S" for sleeve bearing

OD6015 Series



DC Fan - 5, 12, 24V
60 x 15mm (2.36" x 0.59")



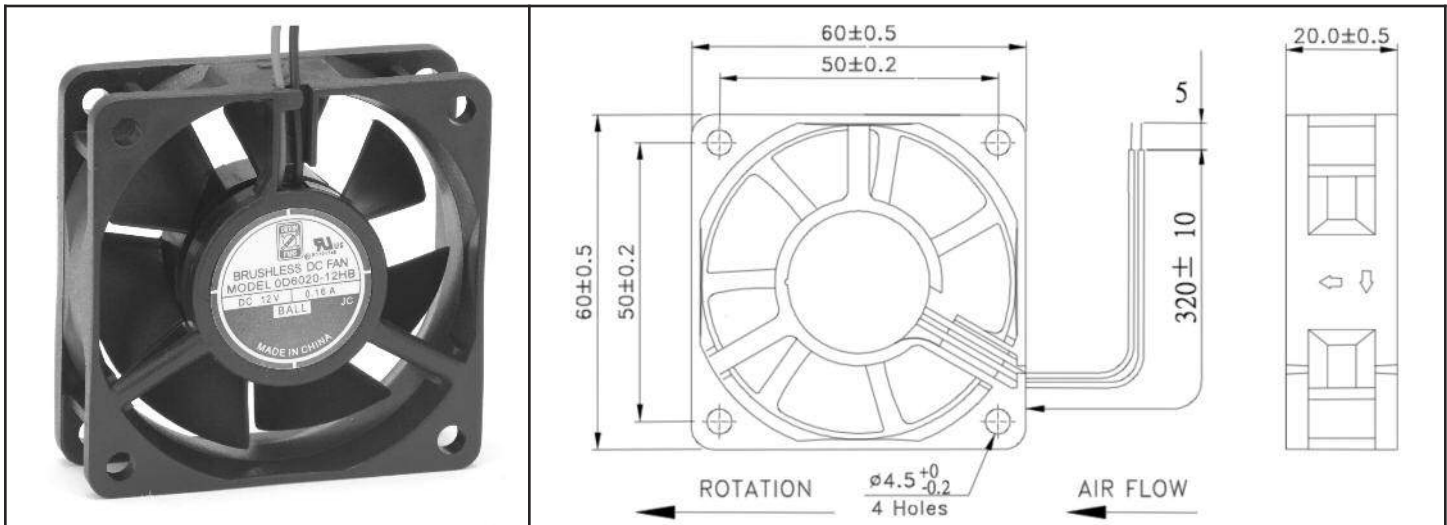
| | | | |
|-----------------------|---|--|--|
| Frame & Impeller | PBT, UL94V-0 plastic | Available Options: Tachometer (FG) Alarm (RD) Other frame styles available Sleeve Bearing Life Expectancy (L10) Ball Bearing 60,000 hours (L10 at 40C) Operating Temperature Ball Bearing -20C ~ +75C Weight: ~ 0.08 lbs m1 | |
| Connection | 2x Lead wires | | |
| Motor | Brushless DC, auto restart, polarity protected | | |
| Bearing System | Dual Ball | | |
| Insulation Resistance | 10M ohm between leadwire and frame (500VDC) | | |
| Dielectric Strength | 1 minute at 500 VAC, max leakage < 500 MicroAmp | | |
| Storage Temperature | -40C ~ +80C | | |

| Model Number | Speed (RPM) | Airflow (CFM) | Noise (dB) | Volts DC | Power Input (Watts) | Amps | Max. Static Pressure ("H ₂ O) |
|--------------|-------------|---------------|------------|----------|---------------------|------|--|
| OD6015-05HB | 4,500 | 16 | 33 | 5 | 1.10 | 0.22 | 0.15 |
| OD6015-05MB | 3,900 | 14 | 29 | 5 | 0.90 | 0.18 | 0.12 |
| OD6015-05LB | 3,500 | 12 | 25 | 5 | 0.60 | 0.12 | 0.08 |
| OD6015-12HHB | 5,100 | 18 | 39 | 12 | 1.44 | 0.12 | 0.17 |
| OD6015-12HB | 4,500 | 16 | 33 | 12 | 1.08 | 0.09 | 0.15 |
| OD6015-12MB | 3,900 | 14 | 29 | 12 | 0.98 | 0.08 | 0.12 |
| OD6015-12LB | 3,500 | 12 | 25 | 12 | 0.84 | 0.07 | 0.08 |
| OD6015-12LLB | 3,100 | 11 | 21 | 12 | 0.72 | 0.06 | 0.06 |
| OD6015-24HB | 4,500 | 16 | 33 | 24 | 1.20 | 0.05 | 0.15 |

OD6020 Series



DC Fan - 12, 24V
60 x 20mm (2.36" x .79")



| | | | |
|-----------------------|---|---|--|
| Frame & Impeller | PBT, UL94V-0 plastic | Available Options: Tachometer Alarm Other frame styles available 5V available on request Life Expectancy (L10) Ball Bearing 60,000 hours (L10 at 40C) Sleeve Bearing 30,000 hours (L10 at 40C) Operating Temperature Ball Bearing -20C ~ +75C Sleeve Bearing -10C ~ +50C Weight: ~ 0.11 lbs | |
| Connection | 2x Lead wires | | |
| Motor | Brushless DC, auto restart, polarity protected | | |
| Bearing System | Dual Ball or Sleeve | | |
| Insulation Resistance | 10M ohm between leadwire and frame (500VDC) | | |
| Dielectric Strength | 1 minute at 500 VAC, max leakage < 500 MicroAmp | | |
| Storage Temperature | -40C ~ +80C | | |

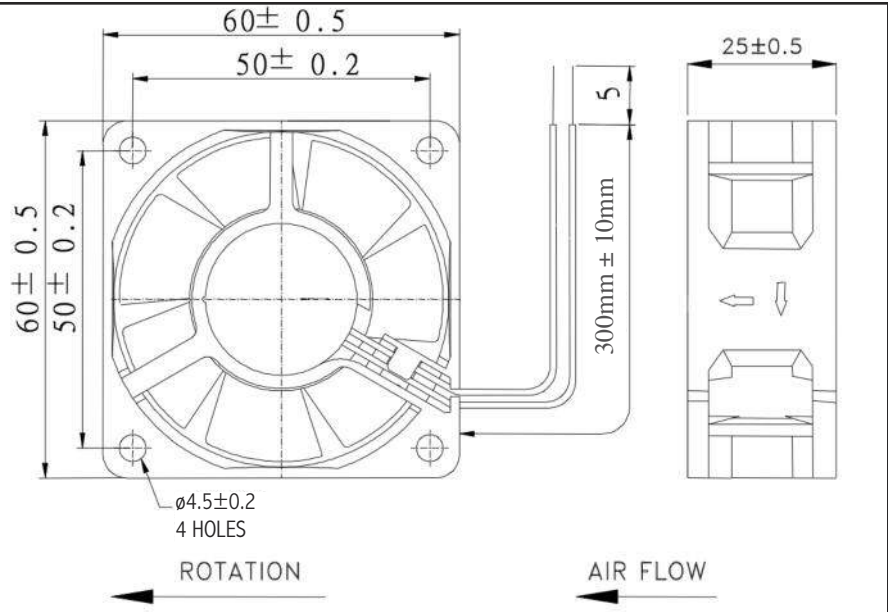
| Model Number | Speed (RPM) | Airflow (CFM) | Noise (dB) | Volts DC | Voltage Range | Amps | Max. Static Pressure ("H ₂ O) |
|--------------|-------------|---------------|------------|----------|---------------|------|--|
| OD6020-12H* | 4,500 | 18 | 30 | 12 | 10.8~13.2 | 0.16 | 0.14 |
| OD6020-12M* | 3,900 | 15 | 26 | 12 | 10.8~13.2 | 0.13 | 0.11 |
| OD6020-12L* | 3,500 | 13 | 22 | 12 | 10.8~13.2 | 0.08 | 0.09 |
| OD6020-24H* | 4,500 | 18 | 30 | 24 | 21.6~26.4 | 0.09 | 0.14 |
| OD6020-24M* | 3,900 | 15 | 26 | 24 | 21.6~26.4 | 0.06 | 0.11 |
| OD6020-24L* | 3,500 | 13 | 22 | 24 | 21.6~26.4 | 0.04 | 0.09 |

* Indicate "B" to specify Ball bearing or "S" to specify Sleeve bearing

OD6025 Series



DC Fan - 5, 12, 24, 48V
60 x 25mm (2.36" x 1.0")

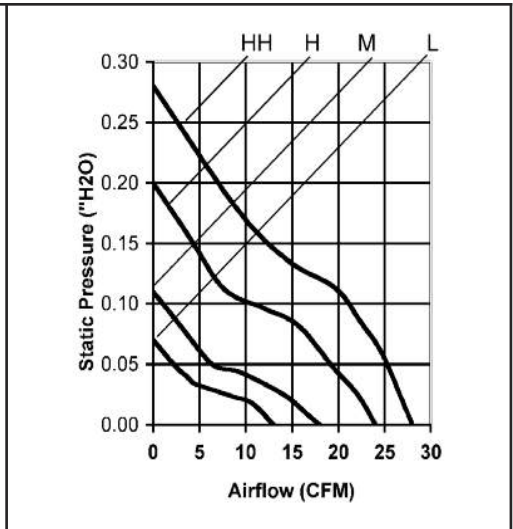


| | |
|-----------------------|---|
| Frame & Impeller | PBT, UL94V-0 plastic |
| Connection | 2x Lead wires 24AWG |
| Motor | Brushless DC, auto restart, polarity protected |
| Bearing System | Ball bearing or Sleeve |
| Insulation Resistance | 10M ohm between leadwire and frame (500VDC) |
| Dielectric Strength | 1 minute at 500 VAC, max leakage < 500 MicroAmp |
| Storage Temperature | -40C ~ +80C |

Available Options:
Tachometer
Alarm
PWM
IP55
Life Expectancy (L10)
Ball - 60,000 hrs (45C)
Sleeve - 30,000 hrs (45C)
Operating Temperature
Ball: -20C ~ +75C
Sleeve: -10C ~ +50C

Weight: ~ 0.15 lbs

m1



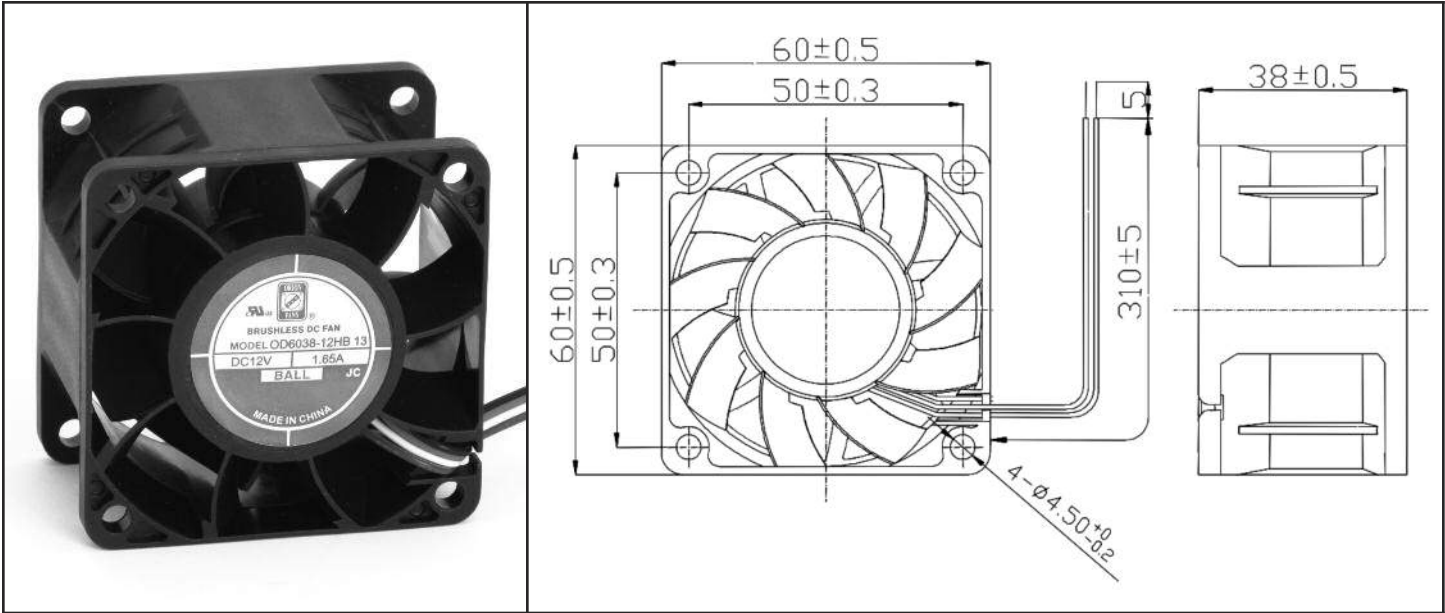
| Model Number | Speed (RPM) | Airflow (CFM) | Noise (dB) | Volts DC | Input Power (Watts) | Amps | Max. Static Pressure (\"H2O) |
|---------------|-------------|---------------|------------|----------|---------------------|------|------------------------------|
| OD6025-05H* | 4,000 | 20 | 30 | 5 | 1.4 | 0.28 | 0.17 |
| OD6025-12HH * | 5,100 | 28 | 40 | 12 | 3.1 | 0.25 | 0.24 |
| OD6025-12H * | 4,500 | 24 | 35 | 12 | 2.8 | 0.23 | 0.20 |
| OD6025-12M * | 3,500 | 18 | 27 | 12 | 1.7 | 0.14 | 0.11 |
| OD6025-12L * | 2,500 | 13 | 18 | 12 | 1.0 | 0.08 | 0.07 |
| OD6025-24HH * | 5,100 | 28 | 40 | 24 | 3.9 | 0.16 | 0.24 |
| OD6025-24H * | 4,500 | 24 | 35 | 24 | 3.5 | 0.15 | 0.20 |
| OD6025-24M * | 3,500 | 18 | 27 | 24 | 1.9 | 0.08 | 0.11 |
| OD6025-24L * | 2,500 | 13 | 18 | 24 | 1.0 | 0.06 | 0.07 |
| OD6025-48H* | 4,200 | 28 | 30 | 48 | 3.4 | 0.07 | 0.24 |

To indicate sleeve bearing replace "B" suffix with "S" in part number (30,000 hrs life expectancy)
To indicate sealed sleeve bearing replace "B" with "SS" in part number (50,000 hrs life expectancy)

OD6038 VA Series



DC Fan 12V, 24V - Vaneaxial, High Pressure
60 x 38mm (2.36" x 1.5")



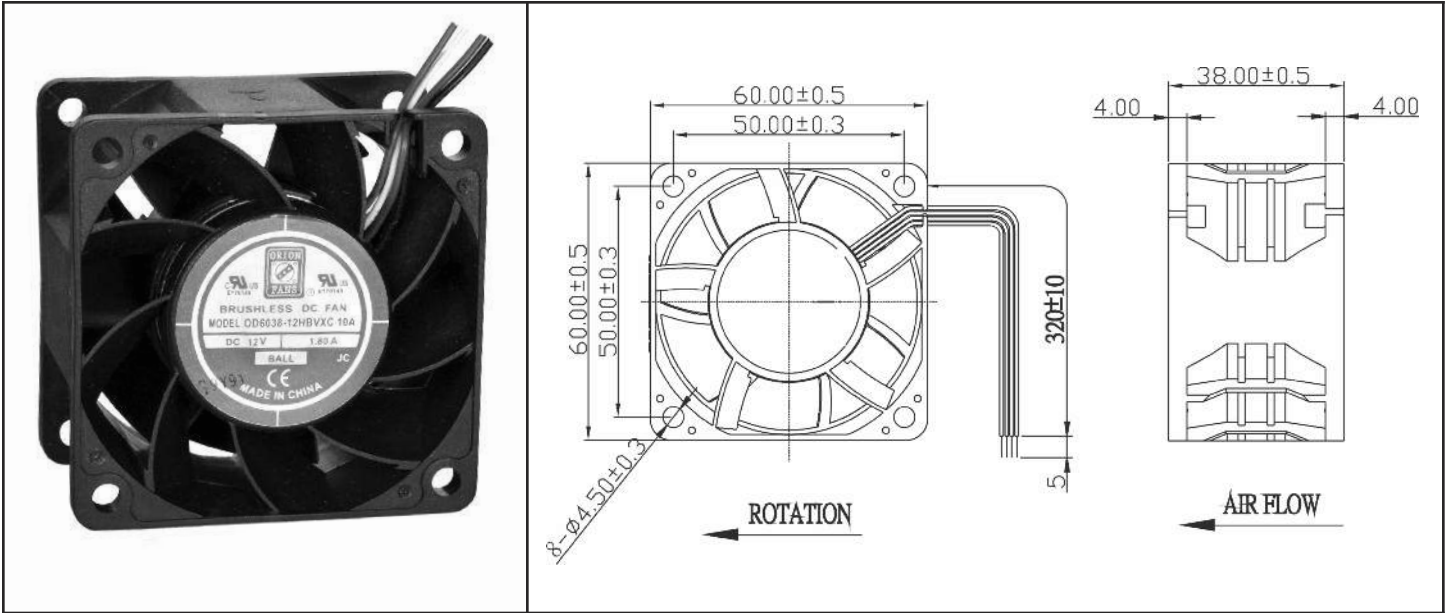
| | | | |
|------------------------------|---|--|--|
| Frame & Impeller | PBT, UL94V-0 plastic | Available Options Tachometer (FG) Locked Rotor Alarm (RD) Thermal Control Other speeds and voltages available by special order <u>Life Expectancy (L10)</u> 50,000 hours (40C) Weight: ~ 0.24 lbs. m1 | |
| Connection | 2x Lead wires, Red(+), Black (-) | | |
| Motor | Brushless DC, auto restart, polarity protected. | | |
| Bearing System | Dual ball bearing | | |
| Insulation Resistance | Min. 10M at 500VDC | | |
| Dielectric Strength | 1 minute at 500 VAC, max leakage < 500 MicroAmp | | |
| Temperature Range | -20C ~ +75C | | |
| Storage Temperature | -40C ~ +80C | | |

| Model Number | Speed (RPM) | Airflow (CFM) | Noise (dB) | Volts DC | Input Power (Watts) | Amps | Max. Static Pressure (\"H ₂ O) |
|----------------|-------------|---------------|------------|----------|---------------------|------|---|
| OD6038-12HBVXC | 10,000 | 61 | 64 | 12 | 17 | 1.42 | 1.59 |
| OD6038-12MBVXC | 8,000 | 48 | 58 | 12 | 8 | 0.64 | 0.97 |
| OD6038-12LBVXC | 6,000 | 38 | 50 | 12 | 3 | 0.28 | 0.58 |
| OD6038-24HBVXC | 10,000 | 61 | 64 | 24 | 21 | 0.88 | 1.59 |
| OD6038-24MBVXC | 8,000 | 48 | 58 | 24 | 10 | 0.43 | 0.97 |
| OD6038-24LBVXC | 6,000 | 38 | 50 | 24 | 4 | 0.20 | 0.58 |

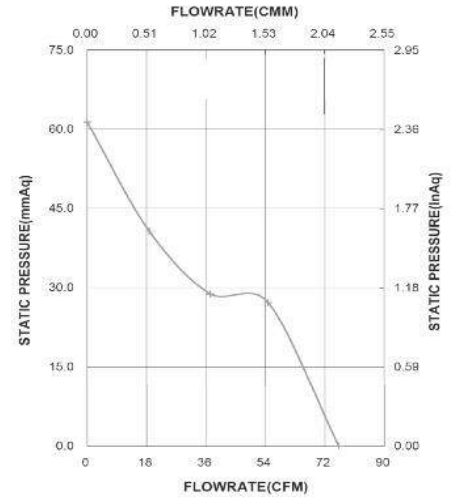
OD6038 XC Series



DC Fan 12V, 24V
60 x 38mm (2.36" x 1.5")



| | | |
|-----------------------|---|--|
| Frame & Impeller | PBT, UL94V-0 plastic | Available Options Tachometer - Open Collector PWM Input Weight: ~ 0.24 lbs. * Connection UL1007, 24AWG, ~320mm Red (+) Black (-) |
| Connection | Lead wires * | |
| Motor | Brushless DC, auto restart, polarity protected. | |
| Bearing System | Dual ball bearing | |
| Insulation Resistance | Min. 10M at 500VDC | |
| Dielectric Strength | 1 minute at 500 VAC, max leakage < 500 MicroAmp | |
| Temperature Range | -20C ~ +70C | |
| Storage Temperature | -40C ~ +80C | |
| Life (L10) | 70,000 hours (40C) | m1 |

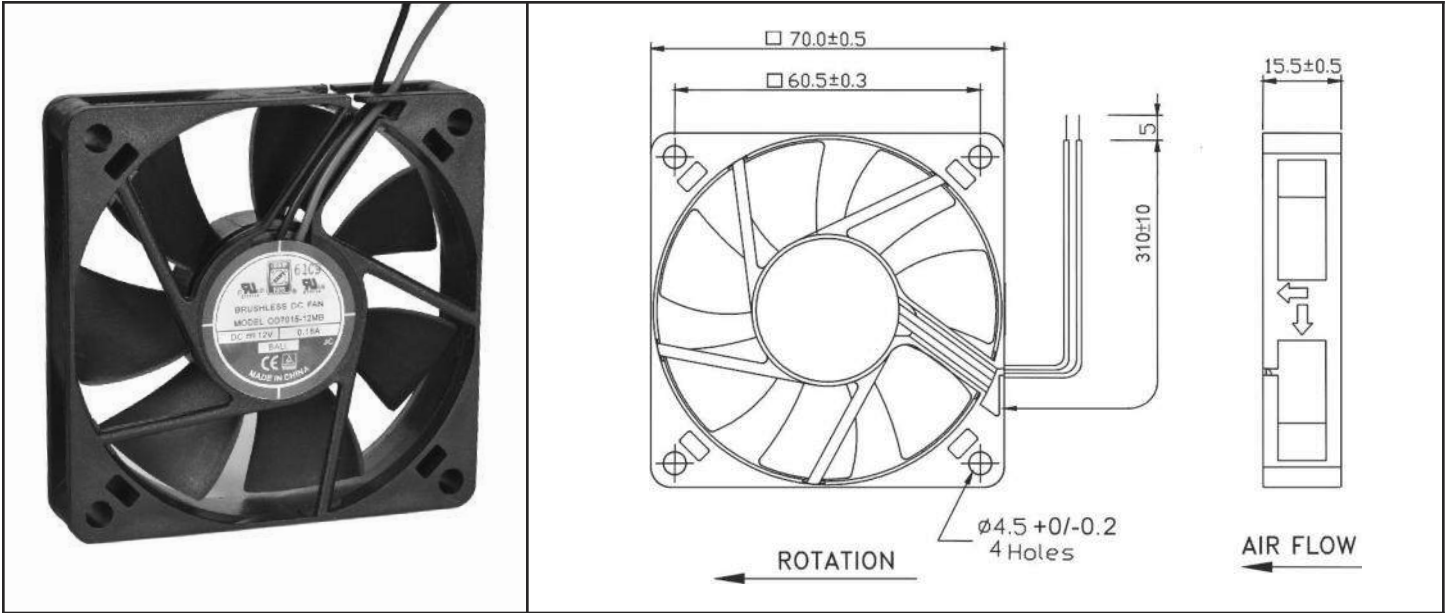


| Part Number | Speed (RPM) | Airflow (CFM) | Noise Level (dB) | Nominal Voltage | Voltage Range V DC | Nominal Current | Rated Power | Max. Static Pressure ("H ₂ O) |
|----------------|-------------|---------------|------------------|-----------------|--------------------|-----------------|-------------|--|
| OD6038-12HHBXC | 16,000 | 86 | 66 | 12 V DC | 10.8 ~ 13.2 | 2.70 A | 36 W | 2.95 |
| OD6038-12HBXC | 14,500 | 76 | 64 | 12 V DC | 10.8 ~ 13.2 | 2.10 A | 28.8 W | 2.40 |
| OD6038-12LBXC | 13,000 | 68 | 61 | 12 V DC | 10.8 ~ 13.2 | 1.45 A | 21.6 W | 1.95 |
| OD6038-24HHBXC | 16,000 | 86 | 66 | 24 V DC | 21.6 ~ 26.4 | 1.25 A | 30 W | 2.95 |

OD7015 Series



DC Fan 12VDC
70 x 15mm (2.76" x .60")



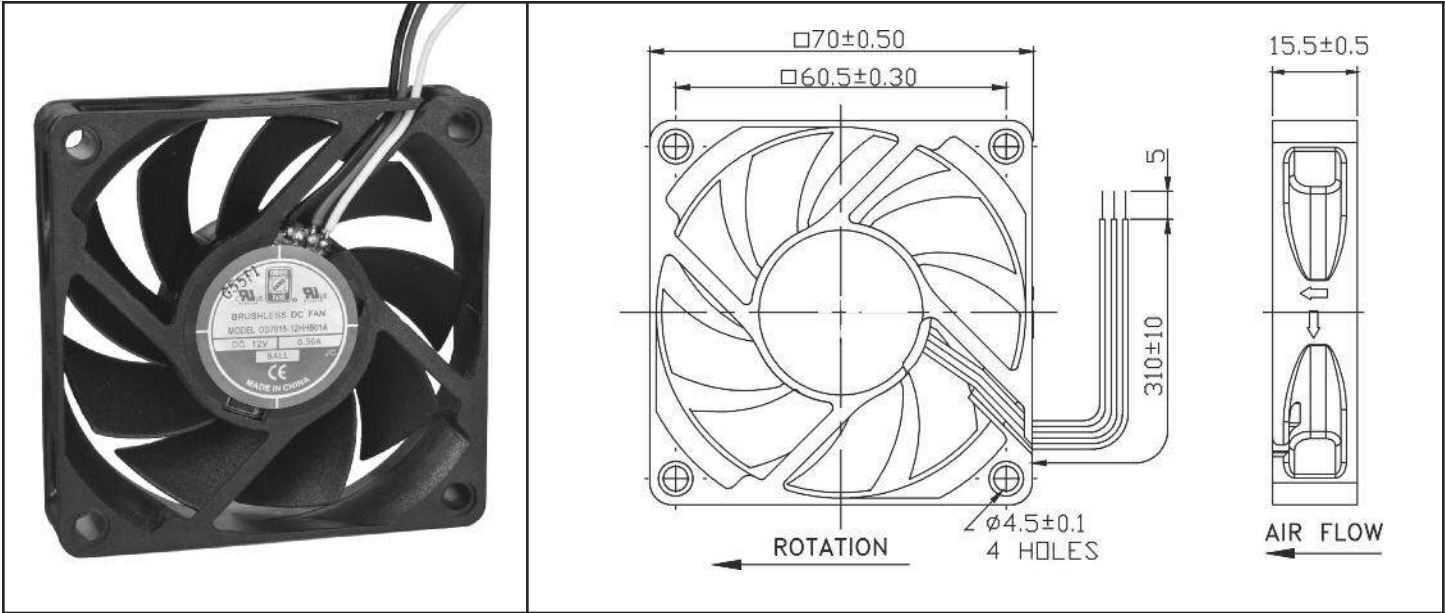
| | | | |
|-----------------------|---|--|--|
| Frame & Impeller | PBT, UL94V-0 plastic | Available Options IP55 Other speeds and voltages Tachometer Alarm *Connection: Wire Leads - UL1007 24AWG Red(+), Black(-) Weight: .13 lbs. | |
| Connection | 2x Lead wires * | | |
| Motor | Brushless DC, auto restart, polarity protected. | | |
| Bearing System | Dual ball bearing | | |
| Insulation Resistance | Min. 10M at 500VDC | | |
| Dielectric Strength | 1 second at 500VAC max leakage 500 microamp | | |
| Temperature Range | -10C ~ +70C | | |
| Storage Temperature | -40C ~ +80C | | |
| Life (L10) | 70,000 hours (40C) | | |

| Model Number | Part Number | Speed (RPM) | Airflow (CFM) | Noise (dB) | Volts DC | Voltage Range | Nominal Current | Input Power (Watts) | Max. Static Pressure ("H ₂ O) |
|--------------|-------------|-------------|---------------|------------|----------|---------------|-----------------|---------------------|--|
| OD7015-12MB | 112131001 | 3,500 | 28.5 | 37 | 12 | 7~13.2 VDC | .16A | 2.16 | .15 |

OD7015 Series



DC Fan 12VDC - Super High Speed 70 x 15mm (2.76" x .60")



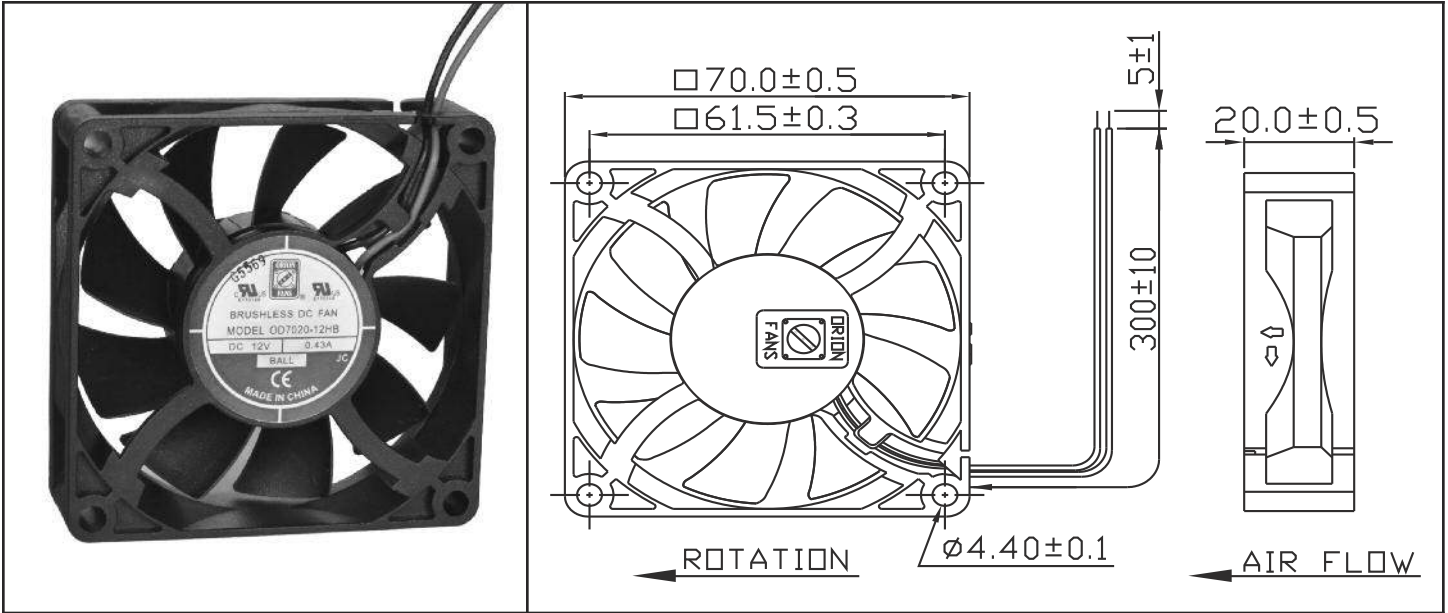
| | | | |
|-----------------------|---|---|--|
| Frame & Impeller | PBT, UL94V-0 plastic | Available Options IP55 Other speeds and voltages Tachometer Alarm *Connection: Wire Leads - UL1007 24AWG Red(+), Black(-), White Tachometer Weight: .13 lbs. | |
| Connection | 3x Lead wires * | | |
| Motor | Brushless DC, auto restart, polarity protected. | | |
| Bearing System | Dual ball bearing | | |
| Insulation Resistance | Min. 10M at 500VDC | | |
| Dielectric Strength | 1 second at 500VAC max leakage 500 microamp | | |
| Temperature Range | -10C ~ +70C | | |
| Storage Temperature | -40C ~ +80C | | |
| Life (L10) | 70,000 hours (40C) | | |

| Model Number | Speed (RPM) | Airflow (CFM) | Noise (dB) | Volts DC | Voltage Range | Nominal Current | Input Power (Watts) | Max. Static Pressure ("H ₂ O) |
|-----------------|-------------|---------------|------------|----------|---------------|-----------------|---------------------|--|
| OD7015-12HHB01A | 5,500 | 41 | 44.5 | 12 | 7~13.2 VDC | .26A | 4.32 | .26 |

OD7020 Series



DC FAN, 12VDC
70 x 20mm (2.76" x .79")



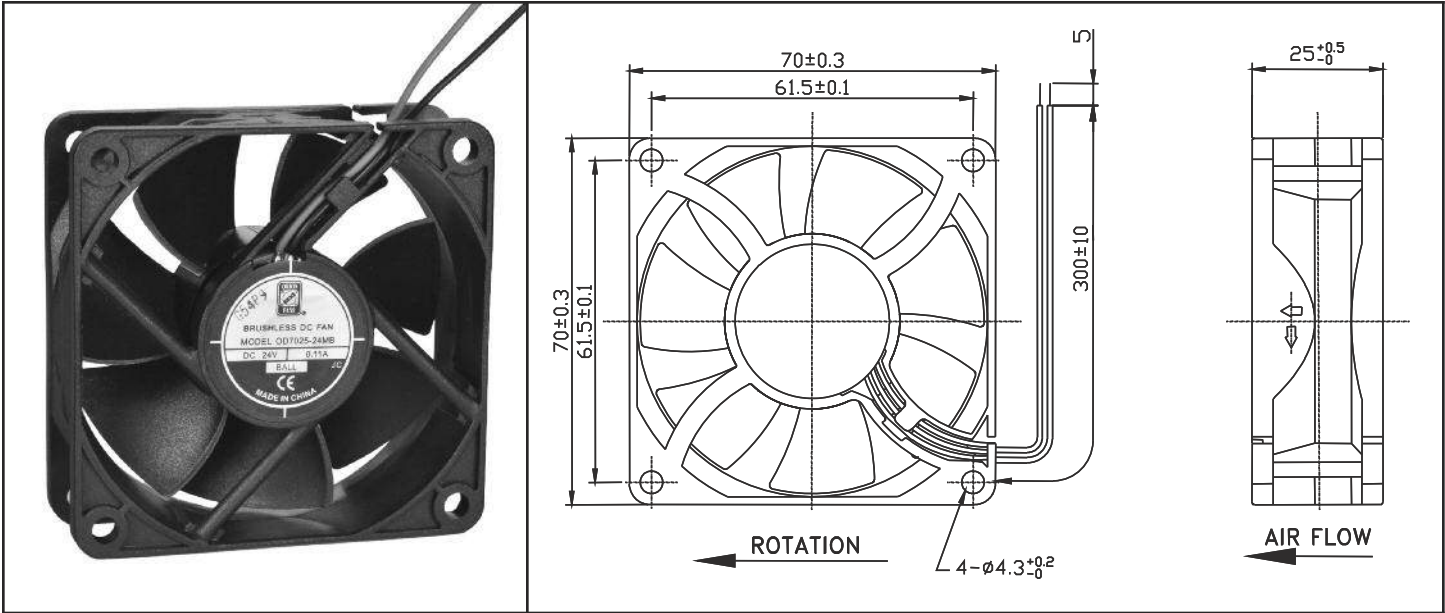
| | | | |
|-----------------------|---|--|--|
| Frame & Impeller | PBT, UL94V-0 plastic | Available Options Thermal Control IP55 Other speeds and voltages PWM Tachometer *Connection: Wire Leads - UL1007 24AWG Red(+), Black(-) Weight: .14 lbs. | Fan Performance Curve FLOWRATE(CMM) 0.000 0.283 0.566 0.849 1.132 1.415 0.354 9.0 7.2 5.4 3.6 1.8 0.0 0.0 10.0 20.0 30.0 40.0 50.0 FLOWRATE(CFM) STATIC PRESSURE(mmHg) 0.283 0.212 0.142 0.071 0.000 STATIC PRESSURE(inHg) |
| Connection | 2x Lead wires * | | |
| Motor | Brushless DC, auto restart, polarity protected. | | |
| Bearing System | Dual ball bearing | | |
| Insulation Resistance | Min. 10M at 500VDC | | |
| Dielectric Strength | 1 second at 500VAC max leakage 500 microamp | | |
| Temperature Range | -10C ~ +70C | | |
| Storage Temperature | -40C ~ +80C | | |
| Life (L10) | 70,000 hours (40C) | | |

| Model Number | Speed (RPM) | Airflow (CFM) | Noise (dB) | Volts DC | Voltage Range | Nominal Current | Input Power (Watts) | Max. Static Pressure ("H ₂ O) |
|--------------|-------------|---------------|------------|----------|---------------|-----------------|---------------------|--|
| OD7020-12HHB | 5,000 | 45 | 43 | 12 | 8~13.2 VDC | .50 A | 6 | .31 |
| OD7020-12HB | 4,500 | 41 | 41.5 | 12 | 7~13.2 VDC | .35 A | 5.2 | .26 |

OD7025 Series



DC FAN, 12VDC
70 x 25mm (2.76"x 1.0")



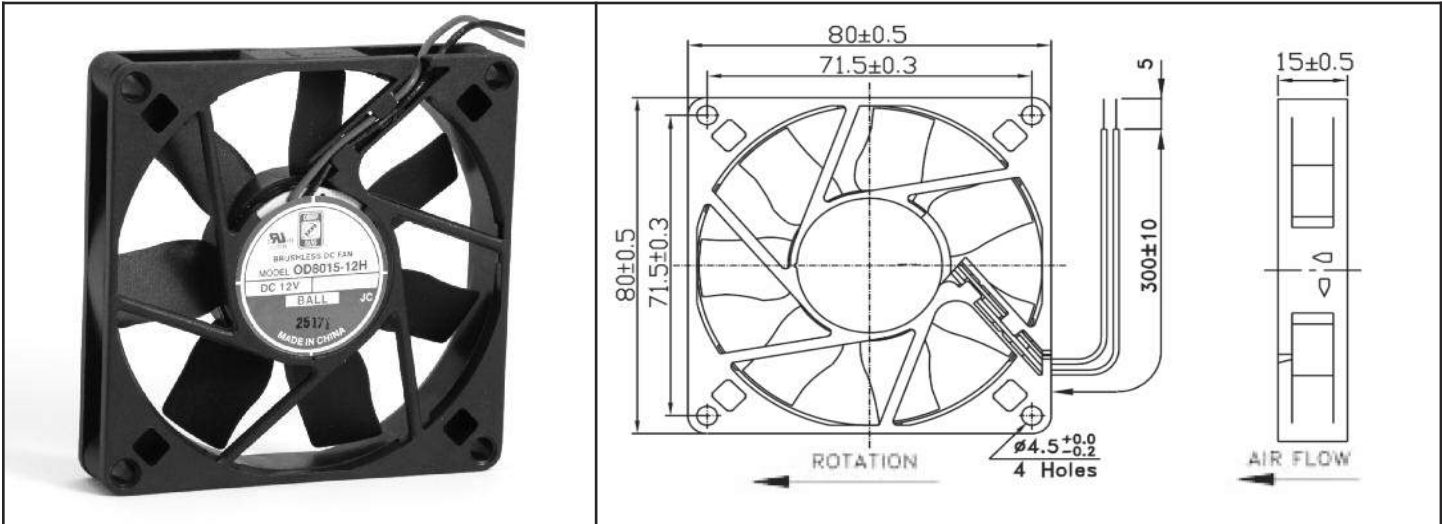
| | | | |
|-----------------------|---|--|---|
| Frame & Impeller | PBT, UL94V-0 plastic | Available Options IP55 Other speeds and voltages Alarm PWM Tachometer *Connection: Wire Leads - UL1007 24AWG Red(+), Black(-) Weight: .20 lbs. | Fan Performance Curve FLOWRATE(CMM) |
| Connection | 2x Lead wires * | | |
| Motor | Brushless DC, auto restart, polarity protected. | | |
| Bearing System | Dual ball bearing | | |
| Insulation Resistance | Min. 10M at 500VDC | | |
| Dielectric Strength | 1 second at 500VAC max leakage 500 microamp | | |
| Temperature Range | -10C ~ +70C | | |
| Storage Temperature | -40C ~ +80C | | |
| Life (L10) | 70,000 hours (40C) | | |

| Model Number | Part Number | Speed (RPM) | Airflow (CFM) | Noise (dB) | Volts DC | Voltage Range | Nominal Current | Input Power (Watts) | Max. Static Pressure ("H ₂ O) |
|-----------------|-------------|-------------|---------------|------------|----------|---------------|-----------------|---------------------|--|
| OD7025-12HBXC | 114181001 | 6,000 | 60 | 49.5 | 12 | 7~13.2 VDC | .62 A | 9.6 | .50 |
| OD7025-12HHB10A | 114151261 | 5,000 | 51 | 46 | 12 | 7~13.2 VDC | .33 A | 5.04 | .35 |
| OD7025-24HHB | 114251001 | 5,000 | 51 | 46 | 24 | 17~26.4 VDC | .20 A | 6.24 | .35 |
| OD7025-24MB | 114231001 | 3,800 | 33 | 36 | 24 | 17~26.4 VDC | .085 | 2.64 | .20 |

OD8015 Series



DC Fan - 12, 24V
80 x 15mm (3.15" x 0.59")



| | | | |
|-----------------------|--|---|--|
| Frame & Impeller | PBT, UL94V-0 plastic | Available Options: Tachometer Alarm 5V Life Expectancy (L10) Ball - 60,000 hrs (45C) Sleeve - 30,000 hrs (45C) Operating Temperature Ball: -20C ~ +70C Sleeve: -10C ~ +50C Weight: ~0.14 lbs m1 | |
| Connection | 2x Lead wires 26AWG | | |
| Motor | Brushless DC, auto restart, impedance and polarity protected | | |
| Bearing System | Ball bearing or Sleeve | | |
| Insulation Resistance | 10M ohm between leadwire and frame (500VDC) | | |
| Dielectric Strength | 1 minute at 500 VAC, max leakage < 500 MicroAmp | | |
| Storage Temperature | -40C ~ +80C | | |

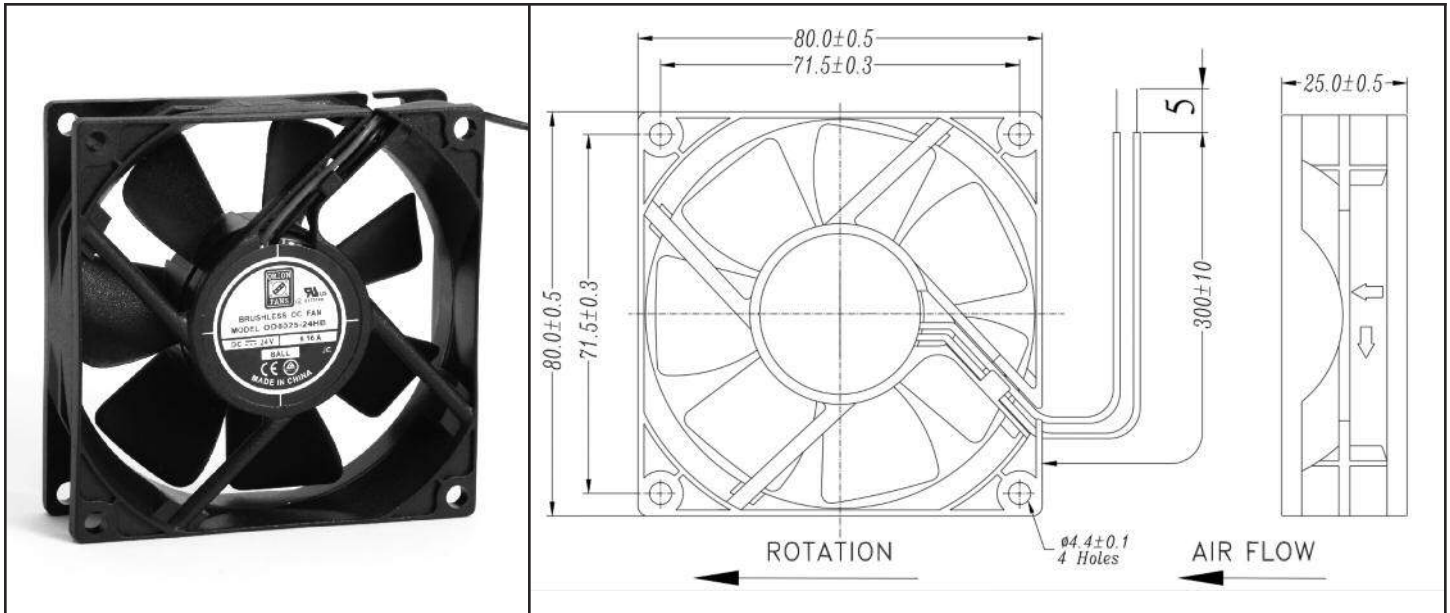
| Model Number | Speed (RPM) | Airflow (CFM) | Noise (dB) | Volts DC | Voltage Range (VDC) | Amps | Max. Static Pressure (\"H2O) |
|--------------|-------------|---------------|------------|----------|---------------------|------|------------------------------|
| OD8015-12H* | 3,200 | 30 | 33 | 12 | 10.8~13.2 | 0.18 | 0.11 |
| OD8015-12M* | 2,500 | 23 | 26 | 12 | 10.8~13.2 | 0.12 | 0.07 |
| OD8015-12L* | 2,000 | 20 | 20 | 12 | 10.8~13.2 | 0.09 | 0.05 |
| OD8015-24H* | 3,200 | 30 | 33 | 24 | 22.6~26.4 | 0.10 | 0.11 |
| OD8015-24M* | 2,500 | 23 | 26 | 24 | 22.6~26.4 | 0.08 | 0.07 |

* Indicate "B" for ball bearing or "S" for sleeve bearing

OD8025 Series



DC Fan - 12, 24V
80 x 25mm (3.15" x 1.0")



| | | | |
|-----------------------|---|--|--|
| Frame & Impeller | PBT, UL94V-0 plastic | Available Options: Tachometer (FG) Alarm (RD) Thermal Speed Control PWM Input Sleeve bearing IP55 48V 5V Life Expectancy (L10) 65,000 hours (45C) Weight: ~ 0.19 lbs m1 | |
| Connection | 2x Lead wires 24AWG | | |
| Motor | Brushless DC, auto restart, polarity protected | | |
| Bearing System | Dual ball bearing | | |
| Insulation Resistance | 10M ohm between leadwire and frame (500VDC) | | |
| Dielectric Strength | 1 minute at 500 VAC, max leakage < 500 MicroAmp | | |
| Temperature Range | -20C ~ +75C | | |
| Storage Temperature | -40C ~ +80C | | |

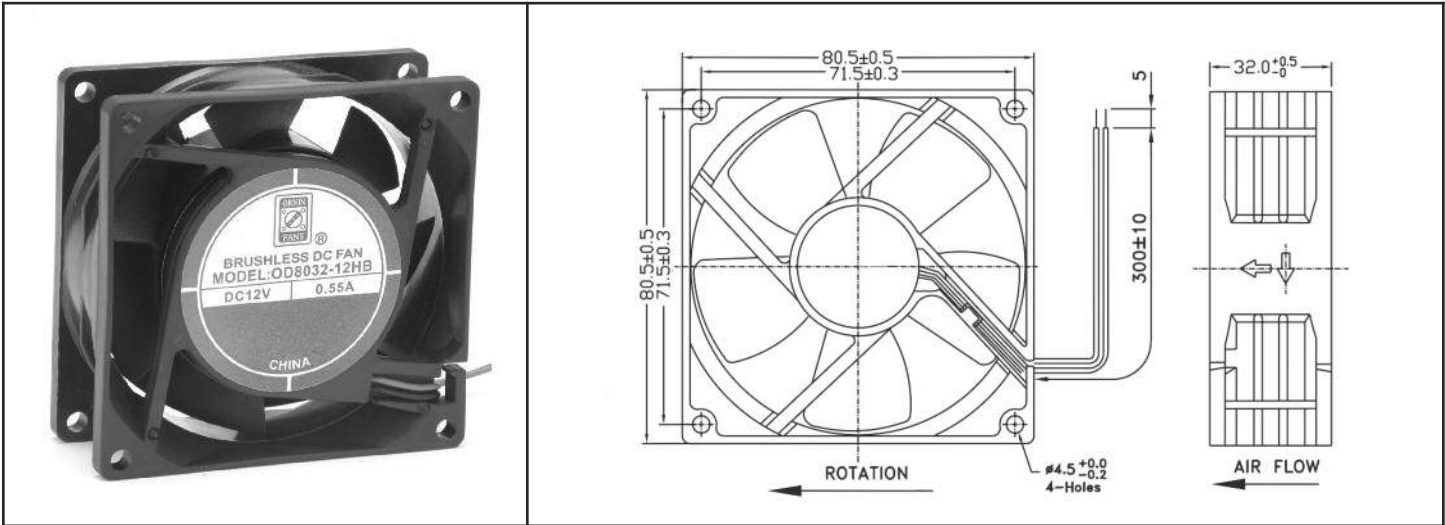
| Model Number | Speed (RPM) | Airflow (CFM) | Noise (dB) | Volts DC | Input Power (Watts) | Amps | Max. Static Pressure (\"H2O) |
|--------------|-------------|---------------|------------|----------|---------------------|------|------------------------------|
| OD8025-12HHB | 3,400 | 44 | 40 | 12 | 3.11 | 0.26 | 0.19 |
| OD8025-12HB | 3,100 | 40 | 35 | 12 | 2.90 | 0.25 | 0.15 |
| OD8025-12MB | 2,500 | 31 | 28 | 12 | 1.45 | 0.15 | 0.10 |
| OD8025-12LB | 2,100 | 26 | 23 | 12 | 0.96 | 0.08 | 0.07 |
| OD8025-12LLB | 1,600 | 19 | 15 | 12 | 0.49 | 0.04 | 0.04 |
| OD8025-24HB | 3,100 | 40 | 35 | 24 | 2.41 | 0.11 | 0.16 |
| OD8025-24MB | 2,500 | 31 | 28 | 24 | 1.67 | 0.08 | 0.10 |
| OD8025-24LB | 2,100 | 26 | 23 | 24 | 0.96 | 0.05 | 0.07 |

To indicate sleeve bearing replace "B" suffix with "S" in part number (30,000 hrs life expectancy)
 To indicate sealed sleeve bearing replace "B" with "SS" in part number (50,000 hrs life expectancy)

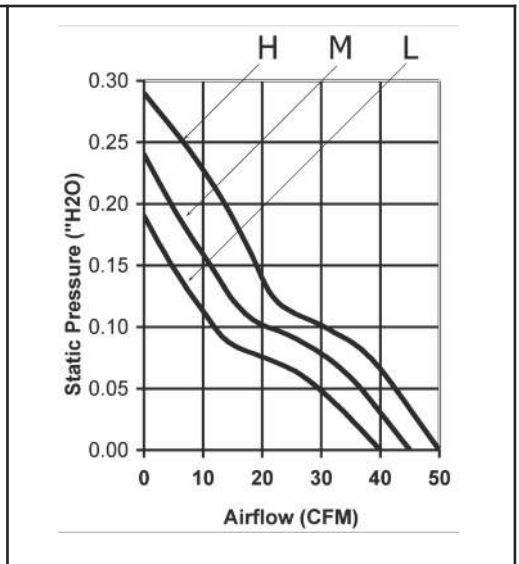
OD8032 Series



DC Fan - 12, 24, 48V
80 x 32mm (3.15" x 1.25")



| | | |
|------------------------------|---|--|
| Frame & Impeller | PBT, UL94V-O plastic | Available Options Tachometer (FG) Alarm (RD) Thermal Speed Control (Thermistor) PWM Input (Manual Speed Control) Life Expectancy (L10) Ball Bearing 70,000 hours (L10 at 40C) Sleeve Bearing 35,000 hours (L10) at 40C) Operating Temperature Ball Bearing -20C ~ +70C Sleeve Bearing -10C ~ +50C |
| Connection | 2x Lead wires, UL 1007, 24AWG | |
| Motor | Brushless DC, auto restart, polarity protected | |
| Bearing System | Dual Ball or Sleeve | |
| Insulation Resistance | 10M ohm between leadwire and frame (500VDC) | |
| Dielectric Strength | 1 second at 500 VAC, max leakage - 500 MicroAmp | |
| Storage Temperature | -40C ~ +80C | |



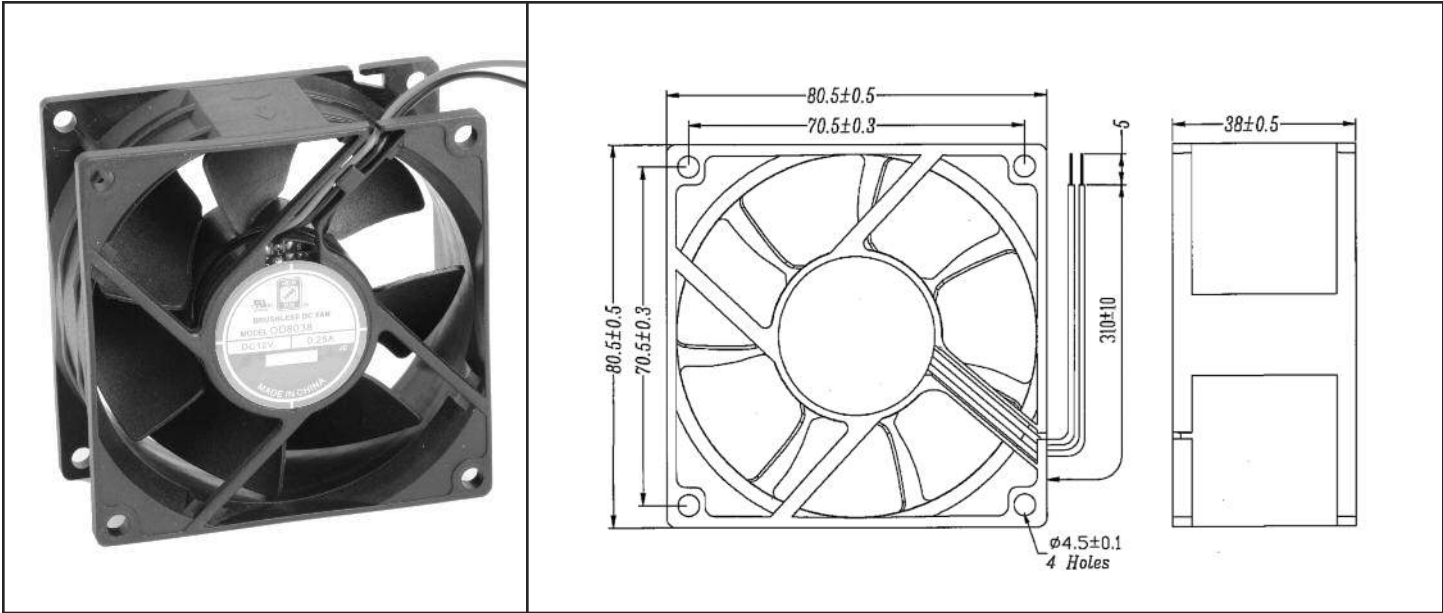
| Model Number | Speed (RPM) | Airflow (CFM) | Noise (dB) | Volts DC | Voltage Range | Nominal Amps | Max. Static Pressure (H ₂ O) |
|--------------|-------------|---------------|------------|----------|---------------|--------------|---|
| OD8032-12H* | 3,800 | 50 | 42 | 12 | 10.8~13.2 | 0.19 | 0.29 |
| OD8032-12M* | 3,400 | 45 | 37 | 12 | 10.8~13.2 | 0.16 | 0.24 |
| OD8032-12L* | 3,000 | 40 | 35 | 12 | 10.8~13.2 | 0.11 | 0.19 |
| OD8032-24H* | 3,800 | 50 | 42 | 24 | 21.6~26.4 | 0.12 | 0.29 |
| OD8032-24M* | 3,400 | 45 | 37 | 24 | 21.6~26.4 | 0.10 | 0.24 |
| OD8032-24L* | 3,000 | 40 | 35 | 24 | 21.6~26.4 | 0.07 | 0.19 |
| OD8032-48H* | 3,800 | 50 | 42 | 48 | 24~56 | 0.08 | 0.29 |
| OD8032-48M* | 3,400 | 45 | 37 | 48 | 24~56 | 0.07 | 0.24 |
| OD8032-48L* | 3,000 | 40 | 35 | 48 | 24~56 | 0.06 | 0.19 |

* Indicate "B" to specify Ball bearing or "S" to specify Sleeve bearing

OD8038 Series



DC Fan - 12, 24V
80 x 38mm (3.15" x 1.5")



| | | | |
|-----------------------|---|---|--|
| Frame & Impeller | PBT, UL94V-0 plastic | Options Tachometer (FG) Locked Rotor Alarm (RD) Thermal Control 48V available Weight: ~0.22 lbs. Life Expectancy (L10) 50,000 hours (40C) m1 | |
| Connection | 2x Lead wires, Red(+), Black (-) | | |
| Motor | Brushless DC, auto restart, polarity protected. | | |
| Bearing System | Dual ball bearing | | |
| Insulation Resistance | Min. 10M at 500VDC | | |
| Dielectric Strength | 1 minute at 500 VAC, max leakage < 500 MicroAmp | | |
| Temperature Range | -20C ~ +75C | | |
| Storage Temperature | -40C ~ +80C | | |

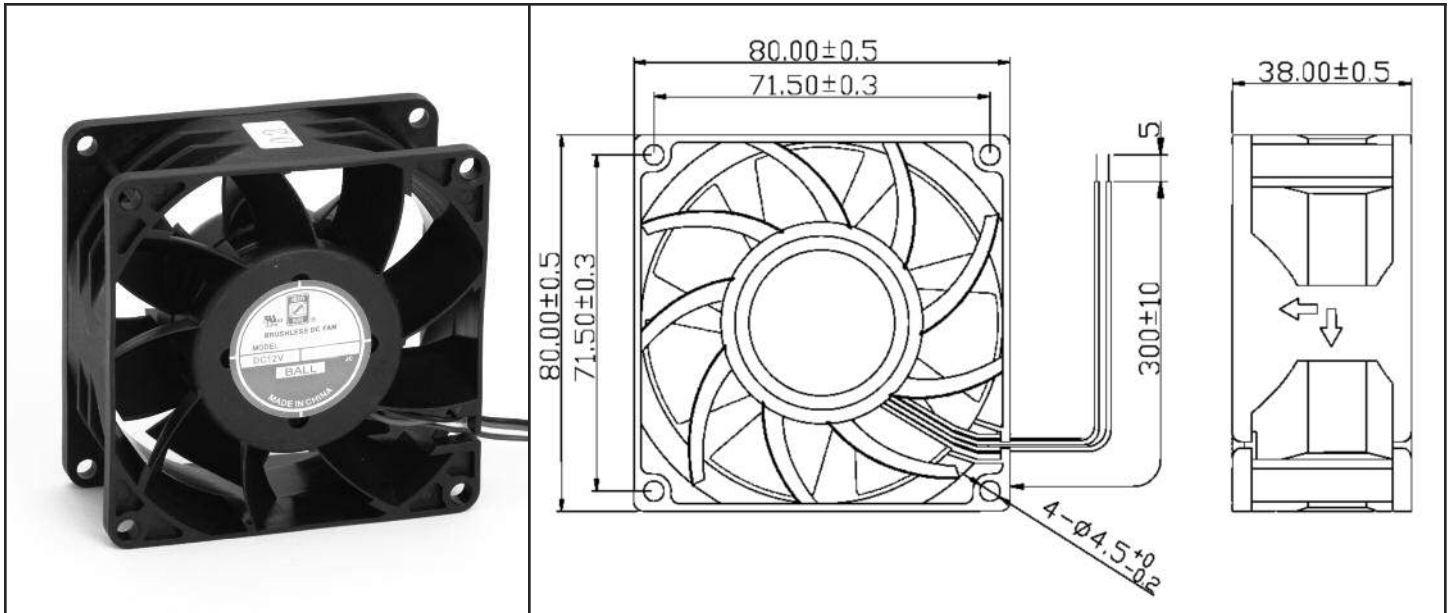
| Model Number | Speed (RPM) | Airflow (CFM) | Noise (dB) | Volts DC | Input Power (Watts) | Amps | Max. Static Pressure (\"H2O) |
|--------------|-------------|---------------|------------|----------|---------------------|------|------------------------------|
| OD8038-12HHB | 4,000 | 61 | 44 | 12 | 6.2 | 0.52 | 0.30 |
| OD8038-12HB | 3,500 | 54 | 40 | 12 | 3.9 | 0.33 | 0.23 |
| OD8038-12MB | 3,000 | 46 | 36 | 12 | 2.5 | 0.21 | 0.17 |
| OD8038-12LB | 2,500 | 38 | 32 | 12 | 1.7 | 0.14 | 0.12 |
| OD8038-24HB | 3,500 | 54 | 40 | 24 | 5.8 | 0.14 | 0.23 |
| OD8038-24MB | 3,000 | 46 | 36 | 24 | 4.3 | 0.10 | 0.17 |
| OD8038-24LB | 2,500 | 38 | 32 | 24 | 3.4 | 0.08 | 0.12 |

OD8038 VA Series

Vaneaxial, High Pressure



DC Fan - 12, 24, 48V
80 x 38mm (3.15" x 1.5")



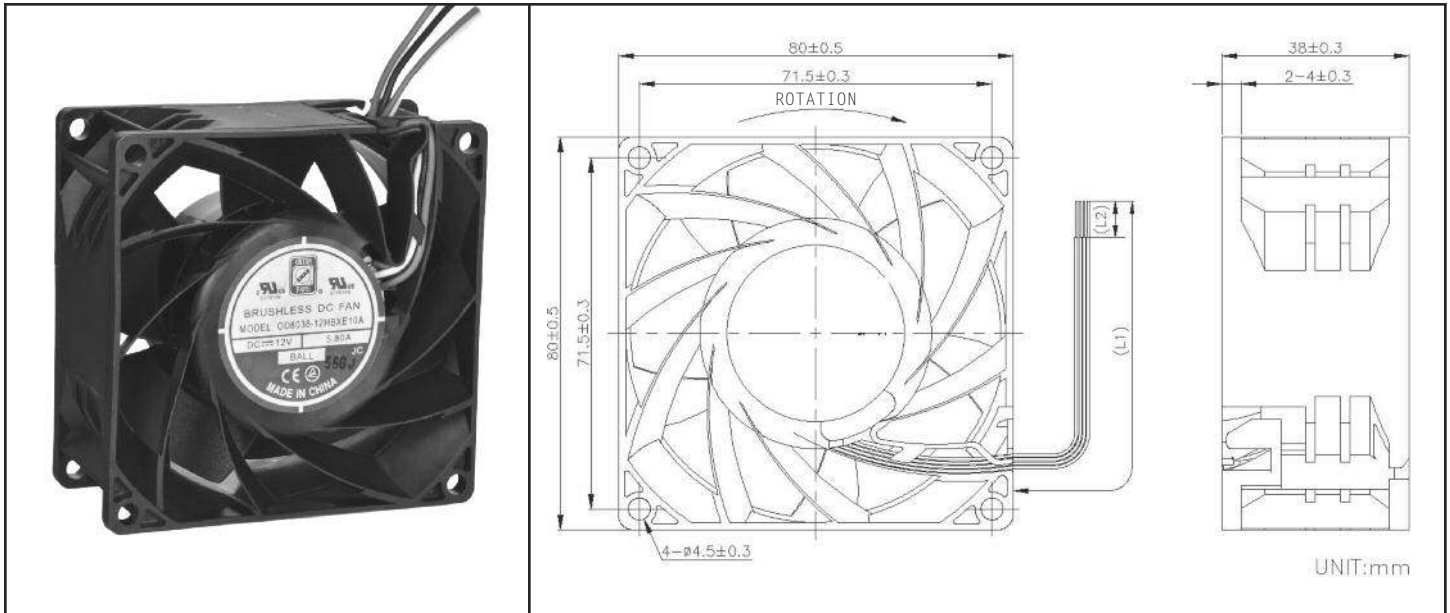
| | | | |
|-----------------------|---|--|--|
| Frame & Impeller | PBT, UL94V-0 plastic | Options Available Tachometer (FG) Locked Rotor Alarm (RD) Thermal Control PWM IP55 Life Expectancy (L10) 50,000 hours (40C) Weight: ~0.40 lbs. m1 | |
| Connection | 2x Lead wires, Red(+), Black (-) | | |
| Motor | Brushless DC, auto restart, polarity protected. | | |
| Bearing System | Dual ball bearing | | |
| Insulation Resistance | Min. 10M at 500VDC | | |
| Dielectric Strength | 1 minute at 500 VAC, max leakage < 500 MicroAmp | | |
| Temperature Range | -20C ~ +75C | | |
| Storage Temperature | -40C ~ +80C | | |

| Model Number | Speed (RPM) | Airflow (CFM) | Noise (dB) | Volts DC | Input Power (Watts) | Amps | Max. Static Pressure (\"H ₂ O) |
|-----------------|-------------|---------------|------------|----------|---------------------|------|---|
| OD8038-12HHBVXC | 7,100 | 112 | 60 | 12 | 22 | 1.9 | 1.10 |
| OD8038-12HBVXC | 6,300 | 99 | 57 | 12 | 14 | 1.2 | 0.81 |
| OD8038-12MBVXC | 5,600 | 89 | 54 | 12 | 10 | 0.8 | 0.75 |
| OD8038-12LBVXC | 4,900 | 76 | 51 | 12 | 6 | 0.5 | 0.50 |
| OD8038-24HBVXC | 6,300 | 99 | 57 | 24 | 13 | 0.5 | 0.81 |
| OD8038-24MBVXC | 5,600 | 89 | 54 | 24 | 10 | 0.4 | 0.75 |
| OD8038-24LBVXC | 4,900 | 76 | 51 | 24 | 7 | 0.3 | 0.50 |
| OD8038-48HBVXC | 6,300 | 99 | 57 | 48 | 14 | 0.3 | 0.81 |
| OD8038-48MBVXC | 5,600 | 89 | 54 | 48 | 10 | 0.2 | 0.75 |
| OD8038-48LBVXC | 4,900 | 76 | 51 | 48 | 7 | 0.15 | 0.50 |

OD8038 XE Series



DC Fan 12V, 48V
80 x 38mm (3.15" x 1.5")



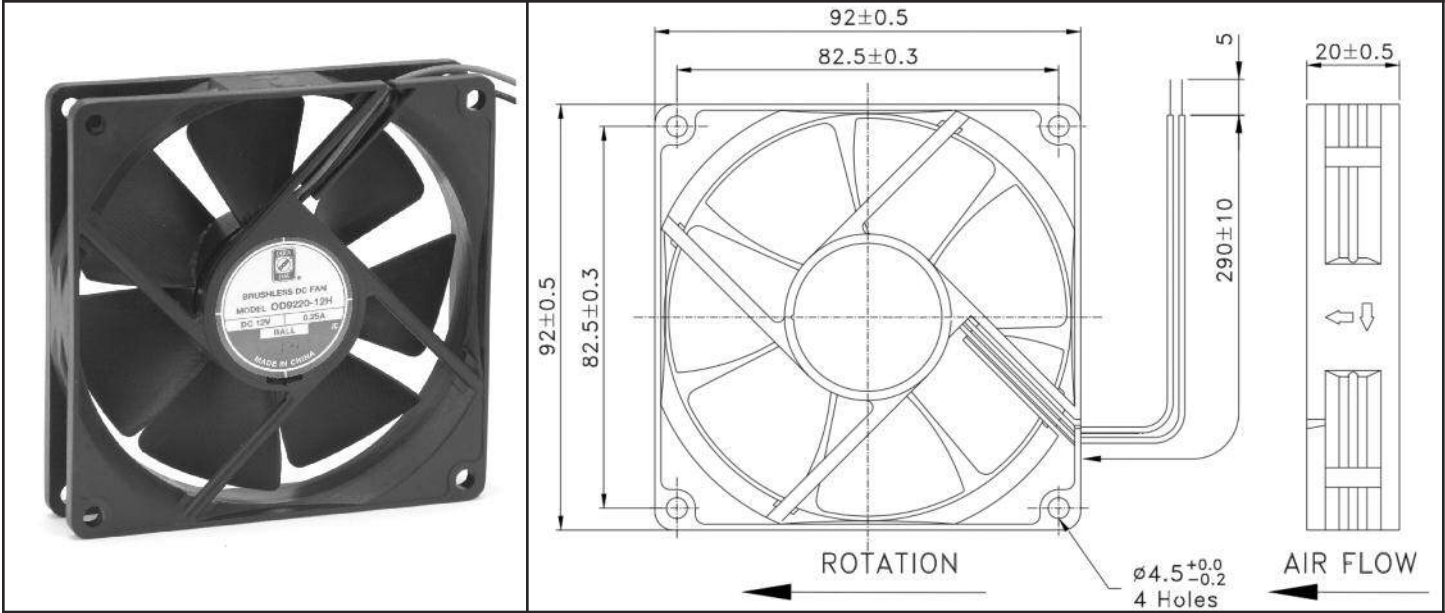
| | | | |
|-----------------------|---|---|--|
| Frame & Impeller | PBT, UL94V-0 plastic | Available Options Thermal Control * Connection Wire Leads - UL1430 24AWG Red (+) Black (-) White Tachometer Blue PWM Weight: ~ .48 lbs. | |
| Connection | 4x Lead wires * | | |
| Motor | Brushless DC, auto restart, polarity protected. | | |
| Bearing System | Dual ball bearing | | |
| Insulation Resistance | Min. 10M at 500VDC | | |
| Dielectric Strength | 1 minute at 500 VAC, max leakage < 500 MicroAmp | | |
| Temperature Range | -10C ~ +70C | | |
| Storage Temperature | -40C ~ +80C | | |
| Life (L10) | 70,000 hours (40C) | m1 | |

| Part Number | Speed (RPM) | Airflow (CFM) | Noise Level (dB) | Nominal Voltage | Voltage Range V DC | Rated Current | Rated Power | Max. Static Pressure ("H ₂ O) |
|------------------|-------------|---------------|------------------|-----------------|--------------------|---------------|-------------|--|
| OD8038-12HBXE10A | 13,500 | 141 | 71 | 12 V DC | 8 ~ 13.2 | 4.10 A | 49 W | 3.9 |
| OD8038-48HBXE10A | 13,500 | 141 | 71 | 48 V DC | 28 ~ 56 | 1.14 A | 55 W | 3.9 |

OD9220 Series



DC Fan - 12, 24V
92 x 20mm (3.6" x 0.79")



| | | | |
|-----------------------|---|--|--|
| Frame & Impeller | PBT, UL94V-0 plastic | <u>Available Options</u> Tachometer - Open Collector Locked Rotor Alarm Weight: ~0.19 lbs <u>Life Expectancy (L10)</u> 65,000 hours (45C) | |
| Connection | 2x Lead wires 24AWG | | |
| Motor | Brushless DC, auto restart, polarity protected | | |
| Bearing System | Dual ball bearing | | |
| Insulation Resistance | 10M ohm between leadwire and frame (500VDC) | | |
| Dielectric Strength | 1 minute at 500 VAC, max leakage < 500 MicroAmp | | |
| Temperature Range | -20C ~ +75C | | |
| Storage Temperature | -40C ~ +80C | | |

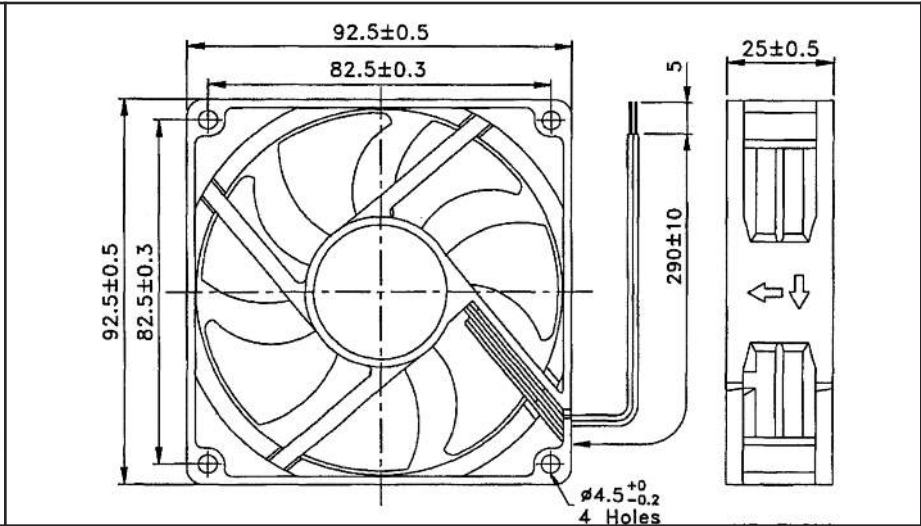
| Model Number | Speed (RPM) | Airflow (CFM) | Noise (dB) | Volts DC | Input Power (Watts) | Amps | Max. Static Pressure ("H ₂ O) |
|--------------|-------------|---------------|------------|----------|---------------------|------|--|
| OD9220-12H* | 2,700 | 32 | 33 | 12 | 8~16 | 0.25 | 0.13 |
| OD9220-12M* | 2,400 | 28 | 31 | 12 | 8~16 | 0.16 | 0.11 |
| OD9220-24H* | 2,700 | 32 | 33 | 24 | 22~28 | 0.14 | 0.13 |
| OD9220-24M* | 2,400 | 28 | 31 | 24 | 22~28 | 0.12 | 0.11 |

* Indicate "B" to specify Ball bearing or "S" to specify Sleeve bearing

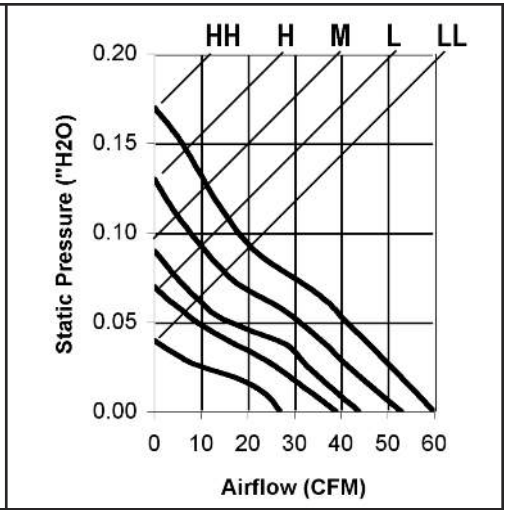
OD9225 Series



DC Fan - 12, 24, 48V
92 x 25 (3.62" x 1.00")



| | | |
|-----------------------|---|--|
| Frame & Impeller | PBT, UL94V-0 plastic | Available Options: Tachometer (FG) Alarm (RD) Thermal Control Sleeve Bearing 05V IP55 Life Expectancy (L10) Ball Bearing 60,000 hours (L10 at 40C) <u>Operating Temperature</u> Ball Bearing -20C ~ +75C Weight: ~0.22 lbs m1 |
| Connection | 2x Lead wires | |
| Motor | Brushless DC, auto restart, polarity protected | |
| Bearing System | Dual Ball | |
| Insulation Resistance | 10M ohm between leadwire and frame (500VDC) | |
| Dielectric Strength | 1 minute at 500 VAC, max leakage < 500 MicroAmp | |
| Storage Temperature | -40C ~ +80C | |



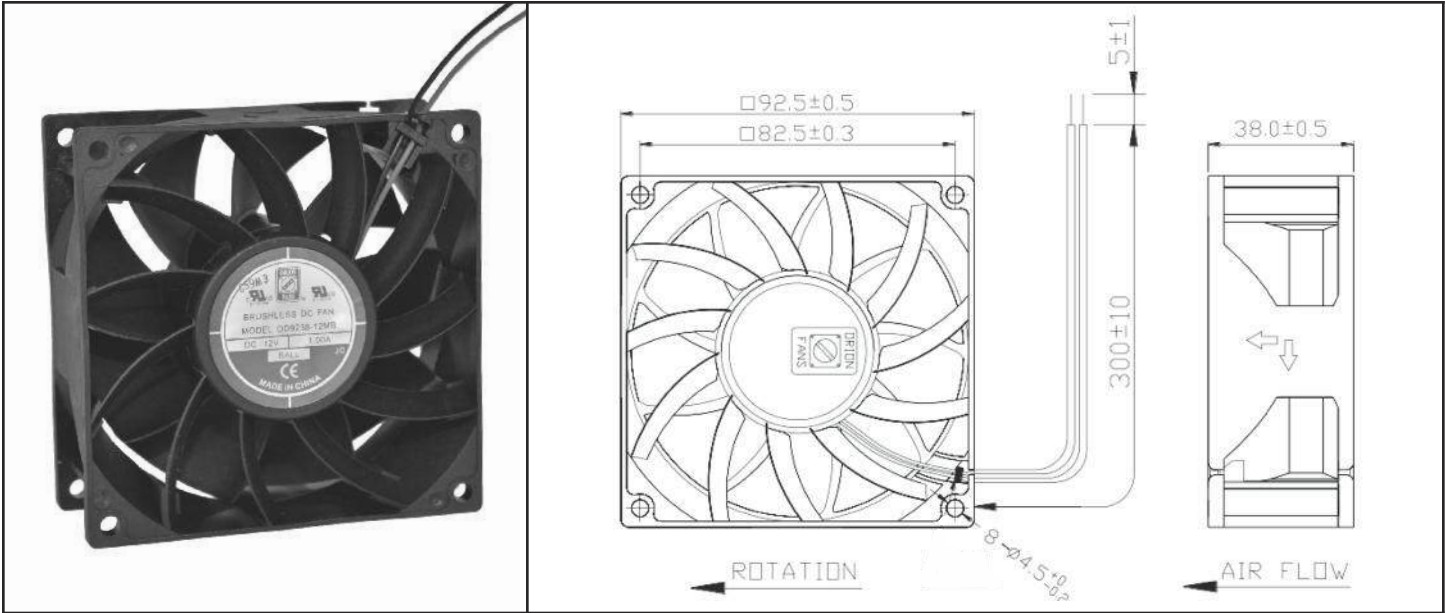
| Model Number | Speed (RPM) | Airflow (CFM) | Noise (dB) | Volts DC | Voltage Range | Amps | Max. Static Pressure (\"H ₂ O) |
|--------------|-------------|---------------|------------|----------|---------------|------|---|
| OD9225-12HHB | 3,300 | 60 | 40 | 12 | 10.8~13.2 | 0.29 | 0.17 |
| OD9225-12HB | 2,900 | 53 | 35 | 12 | 10.8~13.2 | 0.24 | 0.13 |
| OD9225-12MB | 2,400 | 44 | 31 | 12 | 10.8~13.2 | 0.15 | 0.09 |
| OD9225-12LB | 2,100 | 39 | 28 | 12 | 10.8~13.2 | 0.10 | 0.07 |
| OD9225-12LLB | 1,600 | 27 | 18 | 12 | 10.8~13.2 | 0.07 | 0.04 |
| OD9225-24HB | 2,900 | 53 | 35 | 24 | 22.6~26.4 | 0.14 | 0.13 |
| OD9225-24MB | 2,400 | 44 | 31 | 24 | 22.6~26.4 | 0.09 | 0.09 |
| OD9225-24LB | 2,100 | 39 | 28 | 24 | 22.6~26.4 | 0.05 | 0.07 |
| OD9225-48HB | 2,800 | 50 | 33 | 48 | 43.2~52.8 | 0.09 | 0.24 |

To indicate sleeve bearing replace "B" suffix with "S" in part number (30,000 hrs life expectancy)
 To indicate sealed sleeve bearing replace "B" with "SS" in part number (50,000 hrs life expectancy)

OD9238 Series



DC FAN, 12VDC
92 x 38mm (3.62" x 1.5")



| | | | |
|-----------------------|---|--|--|
| Frame & Impeller | PBT, UL94V-0 plastic | Available Options IP55 Other speeds and voltages Alarm PWM Tachometer *Connection: Wire Leads - UL1007 24AWG Red(+), Black(-) Weight: .46 lbs. | |
| Connection | 2x Lead wires * | | |
| Motor | Brushless DC, auto restart, polarity protected. | | |
| Bearing System | Dual ball bearing | | |
| Insulation Resistance | Min. 10M at 500VDC | | |
| Dielectric Strength | 1 second at 500VAC max leakage 500 microamp | | |
| Temperature Range | -10C ~ +70C | | |
| Storage Temperature | -40C ~ +80C | | |
| Life (L10) | 70,000 hours (40C) | | |

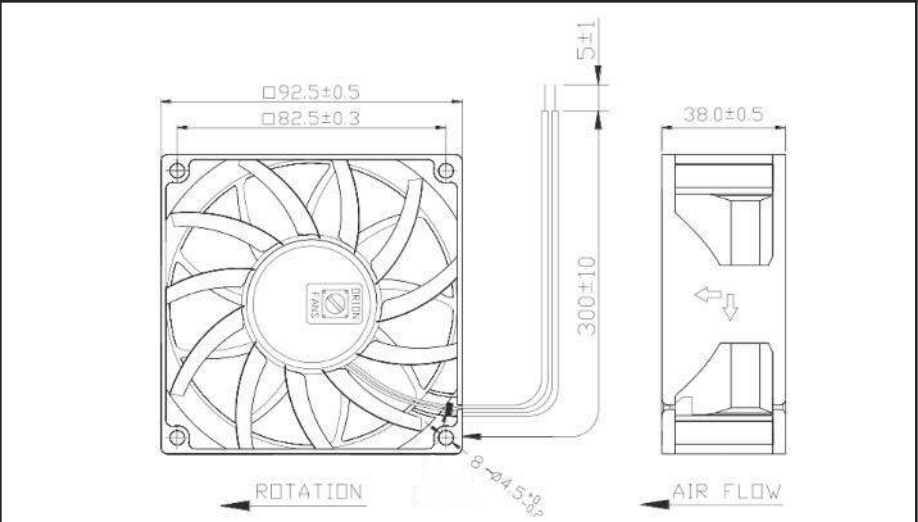
| Model Number | Part Number | Speed (RPM) | Airflow (CFM) | Noise (dB) | Volts DC | Voltage Range | Nominal Current | Input Power (Watts) | Max. Static Pressure ("H ₂ O) |
|--------------|-------------|-------------|---------------|------------|----------|---------------|-----------------|---------------------|--|
| OD9238-12MB | 196131001 | 3,600 | 90 | 47 | 12 | 7~13.2 VDC | .45 A | 12 | .34 |
| OD9238-24HB | 196241001 | 4,000 | 90 | 50 | 24 | 17~26.4 VDC | .28 A | 13.2 | .40 |

OD9238 VA Series

Vaneaxial, High Pressure

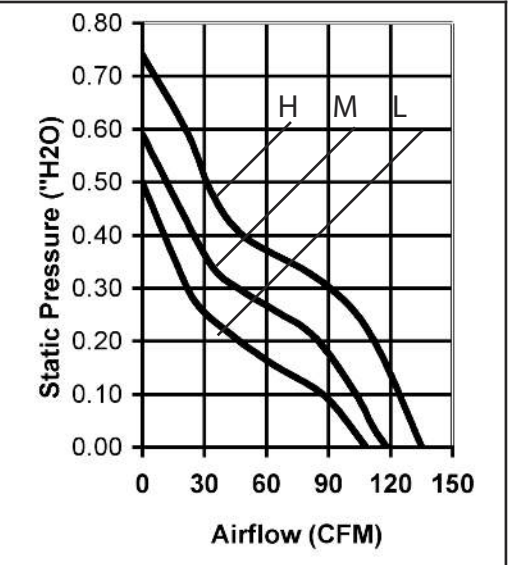


DC Fan - 12, 24, 48V
92 x 38mm (3.62" x 1.5")



| | |
|-----------------------|---|
| Frame & Impeller | PBT, UL94V-0 plastic |
| Connection | 2x Lead wires, 290mm, UL1007, AWG 24 |
| Motor | Brushless DC, auto restart, polarity protected. |
| Bearing System | Dual ball bearing |
| Insulation Resistance | Min. 10M at 500VDC |
| Dielectric Strength | 1 minute at 500 VAC, max leakage < 500 MicroAmp |
| Temperature Range | -20C ~ +75C |
| Storage Temperature | -40C ~ +80C |

Available Options:
 IP55
 Tachometer (FG)
 Alarm
 PWM
 Super High Speed (150CFM)
 Life Expectancy (L10)
 75,000 hours (40C)
 Weight: ~0.42 lbs.
 m1

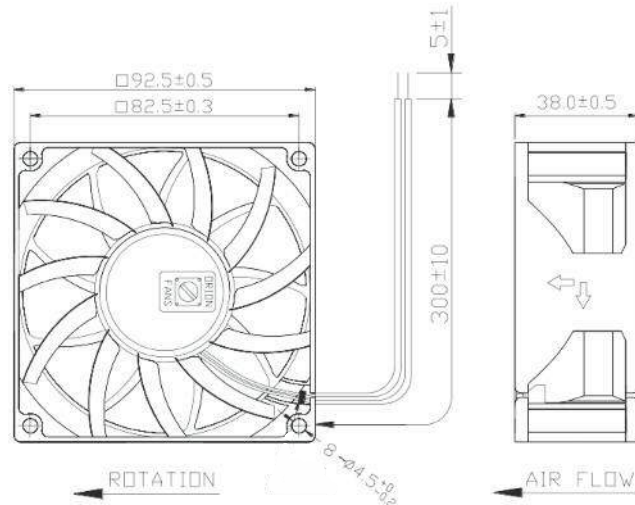


| Model Number | Speed (RPM) | Airflow (CFM) | Noise (dB) | Volts DC | Input Power (Watts) | Amps | Max. Static Pressure ("H ₂ O) |
|----------------|-------------|---------------|------------|----------|---------------------|------|--|
| OD9238-12HBVXC | 5,400 | 135 | 58 | 12 | 16 | 1.3 | 0.74 |
| OD9238-12MBVXC | 4,800 | 118 | 55 | 12 | 11 | 0.9 | 0.59 |
| OD9238-12LBVXC | 4,400 | 108 | 52 | 12 | 9 | 0.7 | 0.50 |
| OD9238-24HBVXC | 5,400 | 135 | 58 | 24 | 16 | 0.7 | 0.74 |
| OD9238-24MBVXC | 4,800 | 118 | 55 | 24 | 11 | 0.5 | 0.59 |
| OD9238-24LBVXC | 4,400 | 108 | 52 | 24 | 8 | 0.3 | 0.50 |
| OD9238-48HBVXC | 5,400 | 135 | 58 | 48 | 17 | 0.4 | 0.74 |
| OD9238-48MBVXC | 4,800 | 118 | 55 | 48 | 12 | 0.3 | 0.59 |
| OD9238-48LBVXC | 4,400 | 108 | 52 | 48 | 9 | 0.2 | 0.50 |

OD9238 XC Series



DC Fan - 12V, Tachometer, PWM
92 x 38mm (3.62" x 1.5")



| | |
|-----------------------|---|
| Frame & Impeller | PBT, UL94V-0 plastic |
| Connection | 4x Lead wires |
| Motor | Brushless DC, auto restart, polarity protected. |
| Bearing System | Dual ball bearing |
| Insulation Resistance | Min. 10M at 500VDC |
| Dielectric Strength | 1 minute at 500 VAC, max leakage < 500 MicroAmp |
| Temperature Range | -20C ~ +70C |
| Storage Temperature | -40C ~ +80C |
| Life Expectancy | 50,000 hours (40C) |

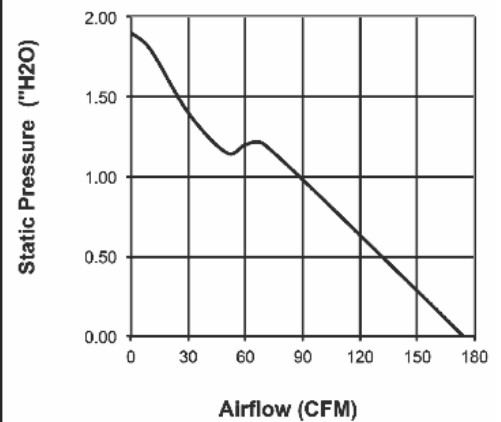
Available Options:

*Connection:
Red (+)
Black (-)
White - Tachometer
Open Collector
Blue - PWM

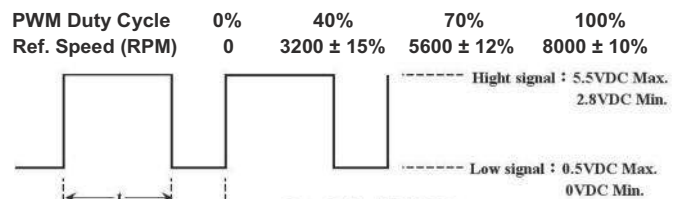
UL1430, 24AWG
~300mm

Weight: ~ .56 lbs.

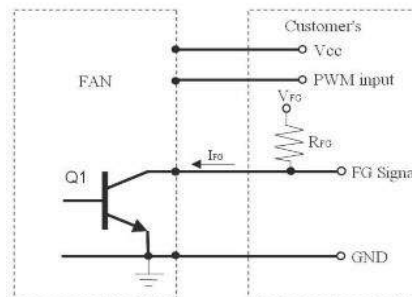
m1



| | |
|----------------------|-----------------------|
| Part Number | OD9238-12HHBXC10A |
| Nominal Voltage | 12 VDC |
| Nominal Current | 3.5 A |
| Rated Power | 42 W |
| Rated Speed (RPM) | 8,000 |
| Airflow (CFM) | 174 |
| Noise Level (dB) | 68 |
| Max. Static Pressure | 1.7 "H ₂ O |



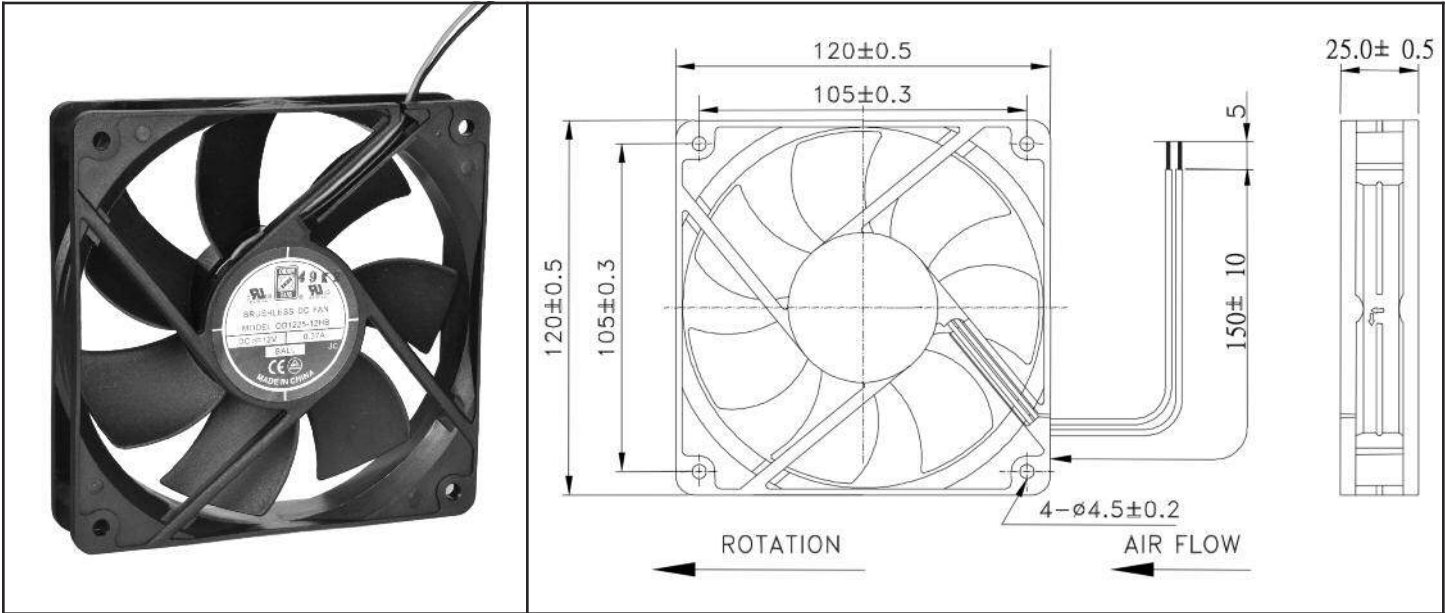
- 11.1 The preferred operating frequency for the fan is 25kHz.
- 11.2 PWM signal frequency range from 18kHz-30kHz.
- 11.3 At 100% duty cycle, the fan will operate at maximum speed.
- 11.4 At 0% duty cycle, the fan is not rotate.
- 11.5 The fan will default to operate at maximum speed when the speed control input is left connected.
- 11.6 At 25kHz with 20% duty cycle ($V_{cc} = 24VDC$), the fan will be able to start from a dead stop.



OD1225 Series



DC Fan - 12V, 24V
120 x 25mm (4.7" x 1.0")



| | | | |
|-----------------------|---|--|--|
| Frame & Impeller | PBT, UL94V-0 plastic | <u>Available Options</u> Tachometer, Alarm, Thermal control IP55 Rated 48V <u>Life Expectancy (L10)</u> 65,000 hours (45C) Weight: ~0.35 lbs m1 | |
| Connection | 2x Lead wires 24AWG | | |
| Motor | Brushless DC, auto restart, polarity protected | | |
| Bearing System | Dual ball bearing | | |
| Insulation Resistance | 10M ohm between leadwire and frame (500VDC) | | |
| Dielectric Strength | 1 minute at 500 VAC, max leakage < 500 MicroAmp | | |
| Temperature Range | -20C ~ +75C | | |
| Storage Temperature | -40C ~ +80C | | |

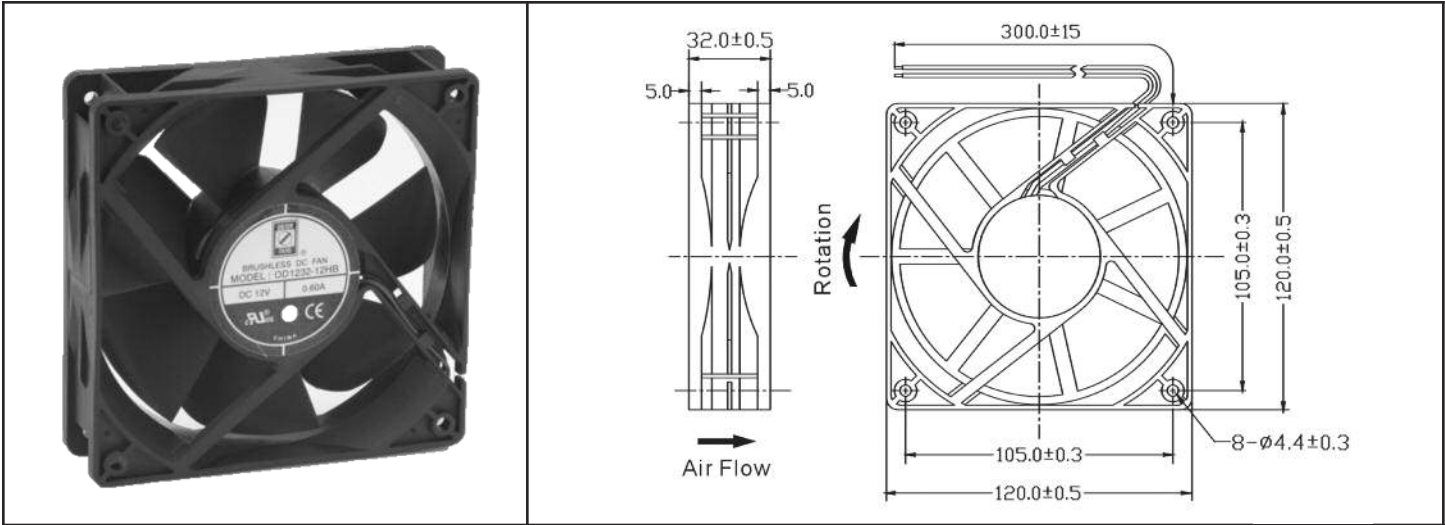
| Model Number | Speed (RPM) | Airflow (CFM) | Noise (dB) | Volts DC | Input Power (Watts) | Amps (max) | Max. Static Pressure (H ₂ O) |
|--------------|-------------|---------------|------------|----------|---------------------|------------|---|
| OD1225-12HB | 2,200 | 89 | 39 | 12 | 5 | 0.37 | 0.14 |
| OD1225-12MB | 2,050 | 83 | 38 | 12 | 4 | 0.33 | 0.12 |
| OD1225-12LB | 1,800 | 72 | 34 | 12 | 3 | 0.24 | 0.10 |
| OD1225-24HB | 2,200 | 89 | 39 | 24 | 5 | 0.19 | 0.14 |
| OD1225-24MB | 2,050 | 83 | 38 | 24 | 4 | 0.17 | 0.12 |
| OD1225-24LB | 1,800 | 72 | 34 | 24 | 3 | 0.14 | 0.10 |

* Indicate "B" to specify Ball bearing or "S" to specify Sleeve bearing

OD1232 Series



DC Fan - 12, 24, 48V
120 x 32mm (4.7" x 1.25")



| | | | |
|------------------------------|---|---|--|
| Frame & Impeller | PBT, UL94V-0 plastic | Available Options: Tachometer (FG) Alarm (RD) Thermal Speed Control PWM Input <u>Life Expectancy (L10)</u> Ball Bearing 60,000 hours (L10 at 40C) Sleeve Bearing 30,000 hours (L10 at 40C) <u>Operating Temperature</u> Ball Bearing -20C ~ +75C Sleeve Bearing -10C ~ +50C Weight: ~0.47 lbs m4 | |
| Connection | 2x Lead wires | | |
| Motor | Brushless DC, auto restart, polarity protected | | |
| Bearing System | Dual Ball or Sleeve | | |
| Insulation Resistance | 10M ohm between leadwire and frame (500VDC) | | |
| Dielectric Strength | 1 minute at 500 VAC, max leakage < 500 MicroAmp | | |
| Storage Temperature | -40C ~ +80C | | |

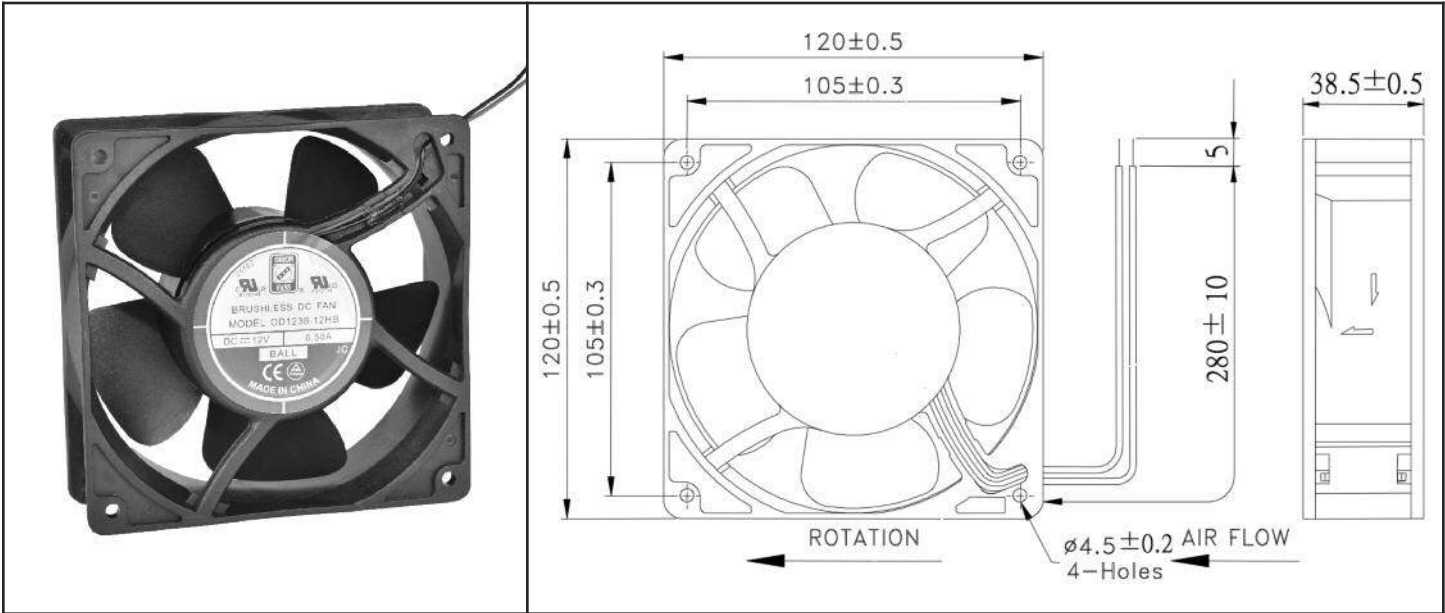
| Model Number | Speed (RPM) | Airflow (CFM) | Noise (dB) | Volts DC | Voltage Range | Amps | Max. Static Pressure (\"H ₂ O) |
|--------------|-------------|---------------|------------|----------|---------------|------|---|
| OD1232-12H * | 3,750 | 120 | 51 | 12 | 6~13.8 | 0.60 | 0.42 |
| OD1232-12M * | 3,300 | 107 | 48 | 12 | 6~13.8 | 0.50 | 0.33 |
| OD1232-12L * | 2,900 | 93 | 44 | 12 | 6~13.8 | 0.32 | 0.27 |
| OD1232-24H * | 3,750 | 120 | 51 | 24 | 12~27.8 | 0.28 | 0.42 |
| OD1232-24M * | 3,300 | 107 | 48 | 24 | 12~27.8 | 0.22 | 0.33 |
| OD1232-24L * | 2,900 | 93 | 44 | 24 | 12~27.8 | 0.16 | 0.27 |
| OD1232-48H * | 3,750 | 120 | 51 | 48 | 24~55.2 | 0.16 | 0.42 |
| OD1232-48M * | 3,300 | 107 | 48 | 48 | 24~55.2 | 0.15 | 0.33 |
| OD1232-48L * | 2,900 | 93 | 44 | 48 | 24~55.2 | 0.13 | 0.27 |

* Indicate "B" to specify Ball bearing or "S" to specify Sleeve bearing

OD1238 Series



DC Fan - 12, 24, 48V
120 x 38mm (4.7" x 1.5")



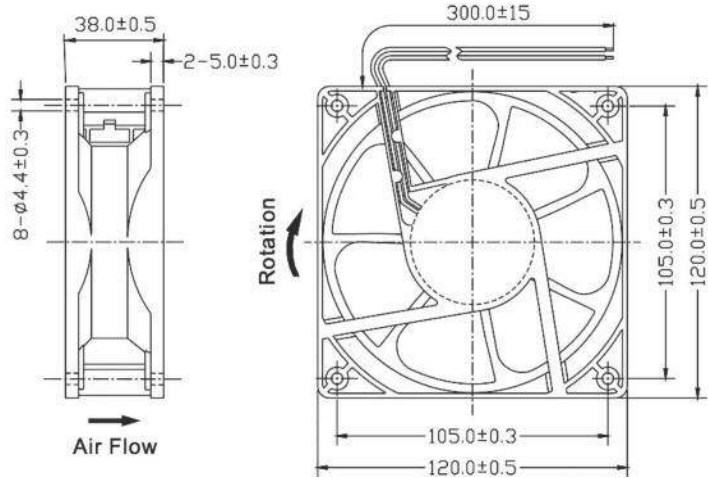
| | | | |
|-----------------------|---|--|--|
| Frame & Impeller | PBT, UL94V-0 plastic | Available Options Tachometer Alarm PWM Thermal control IP55 Sleeve Bearing <u>Life Expectancy (L10)</u> 65,000 hours (45C) Weight: ~0.72 lbs m1 | |
| Connection | 2x Lead wires 24AWG | | |
| Motor | Brushless DC, auto restart, polarity and IC protected | | |
| Bearing System | Dual ball bearing | | |
| Insulation Resistance | 10M ohm between leadwire and frame (500VDC) | | |
| Dielectric Strength | 1 minute at 500 VAC, max leakage < 500 MicroAmp | | |
| Temperature Range | -20C ~ +75C | | |
| Storage Temperature | -40C ~ +80C | | |

| Model Number | Speed (RPM) | Airflow (CFM) | Noise (dB) | Volts DC | Input Power (Watts) | Amps | Max. Static Pressure (H ₂ O) |
|--------------|-------------|---------------|------------|----------|---------------------|------|---|
| OD1238-12HB | 2,800 | 105 | 43 | 12 | 6 | 0.50 | 0.24 |
| OD1238-12MB | 2,540 | 95 | 41 | 12 | 4 | 0.35 | 0.23 |
| OD1238-12LB | 1,950 | 73 | 33 | 12 | 3 | 0.24 | 0.13 |
| OD1238-12LLB | 1,500 | 53 | 27 | 12 | 2 | 0.16 | 0.09 |
| OD1238-24HB | 2,800 | 105 | 43 | 24 | 7 | 0.32 | 0.24 |
| OD1238-24MB | 2,540 | 95 | 41 | 24 | 6 | 0.23 | 0.23 |
| OD1238-24LB | 1,950 | 73 | 33 | 24 | 4 | 0.14 | 0.13 |
| OD1238-48HB | 2,800 | 105 | 43 | 48 | 10 | 0.20 | 0.24 |
| OD1238-48MB | 2,540 | 95 | 41 | 48 | 7 | 0.14 | 0.23 |
| OD1238-48LB | 1,950 | 73 | 33 | 48 | 5 | 0.10 | 0.13 |
| OD1238-48LLB | 1,500 | 53 | 27 | 48 | 4 | 0.08 | 0.09 |

OD1238 Series



DC Fan - Super High Speed 120 x 38mm (4.7" x 1.5")



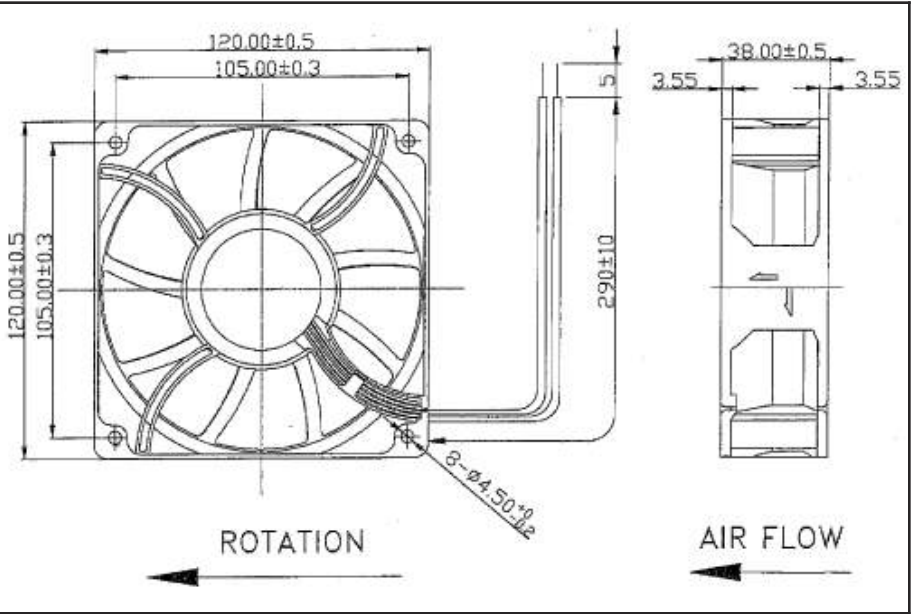
| | | | |
|-----------------------|---|---|--|
| Frame & Impeller | PBT, UL94V-O plastic | Available Options Tachometer (Frequency Generator) Alarm (Rotation Detector) Thermistor (Thermal Speed Control) Sleeve Bearing Weight ~ 0.74 lbs. m4 | |
| Connection | 2x Lead wires 22AWG | | |
| Motor | Brushless DC, auto restart, polarity protected | | |
| Bearing System | Dual ball bearing | | |
| Insulation Resistance | 10M ohm between leadwire and frame (500VDC) | | |
| Dielectric Strength | 1 second at 500 VAC, max leakage - 500 MicroAmp | | |
| Temperature Range | -20C ~ +75C | | |
| Life (10) | 65,000 hours (45C) | | |

| Model Number | Speed (RPM) | Airflow (CFM) | Noise (dB) | Volts DC | Voltage Range (VDC) | Amps | Max. Static Pressure ("H ₂ O) |
|--------------|-------------|---------------|------------|----------|---------------------|------|--|
| OD1238-12HHB | 3,800 | 154 | 52 | 12 | 6 ~ 14 | 1.30 | 0.57 |
| OD1238-24HHB | 3,800 | 154 | 52 | 24 | 12 ~ 28 | 0.60 | 0.57 |
| OD1238-48HHB | 3,800 | 154 | 52 | 48 | 24 ~ 55 | 0.35 | 0.57 |

OD1238 XC Series



High Performance DC Fan 12, 24, 48V
120x38mm (4.7"x 1.5")



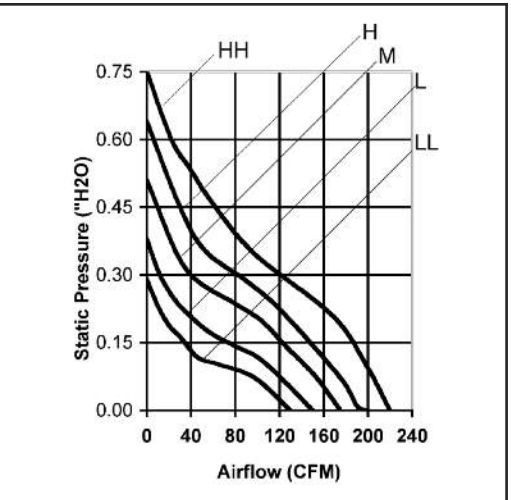
| | |
|-----------------------|---|
| Frame & Impeller | PBT, UL94V-0 plastic |
| Connection | 2x Lead wires 24AWG |
| Motor | Brushless DC, auto restart, polarity protected |
| Bearing System | Dual ball bearing |
| Insulation Resistance | 10M ohm between leadwire and frame (500VDC) |
| Dielectric Strength | 1 minute at 500 VAC, max leakage < 500 MicroAmp |
| Temperature Range | -20C ~ +75C |
| Storage Temperature | -40C ~ +80C |

Available Options:
Tachometer
Alarm
Thermal Speed Control
PWM
IP55

Life Expectancy (L10)
65,000 hours (45C)

Weight: ~0.74 lbs

m1

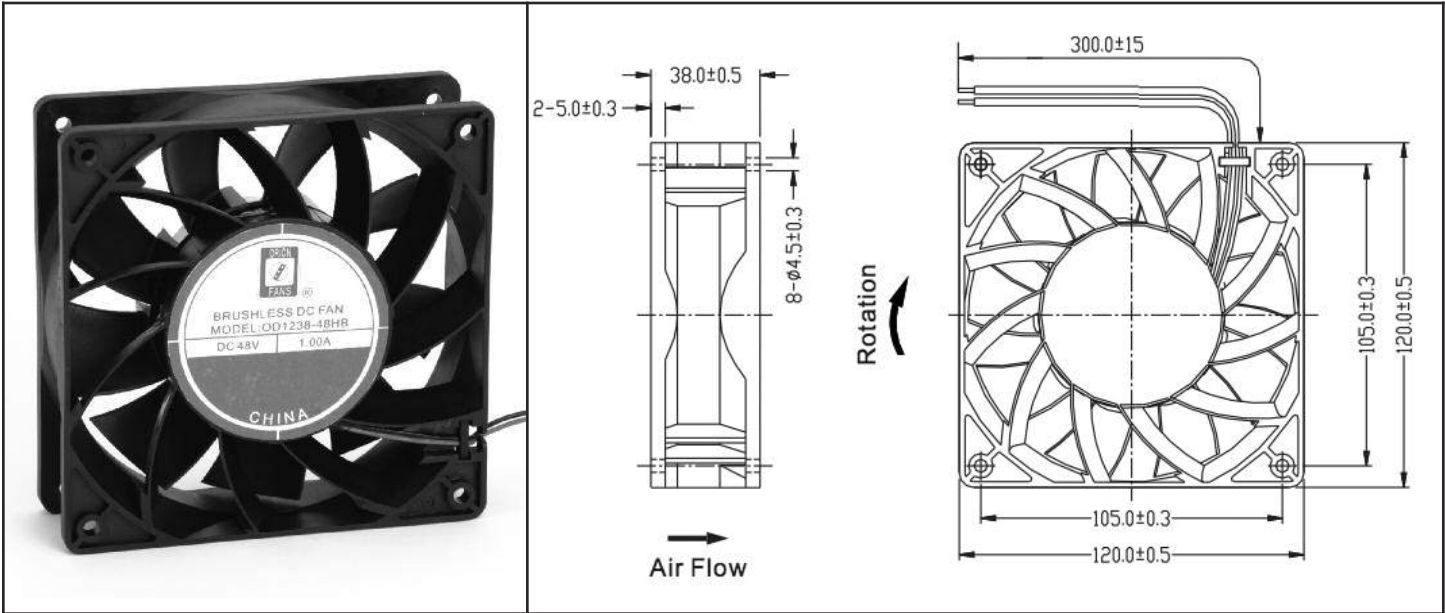


| Model Number | Speed (RPM) | Airflow (CFM) | Noise (dB) | Volts DC | Input Power (Watts) | Amps | Max. Static Pressure ("H ₂ O) |
|----------------|-------------|---------------|------------|----------|---------------------|------|--|
| OD1238-12HBXC | 4,300 | 200 | 61 | 12 | 23 | 1.95 | 0.64 |
| OD1238-12MBXC | 3,800 | 175 | 57 | 12 | 18 | 1.50 | 0.51 |
| OD1238-12LBXC | 3,200 | 150 | 52 | 12 | 10 | 0.87 | 0.38 |
| OD1238-24HBXC | 4,300 | 200 | 61 | 24 | 19 | 0.98 | 0.64 |
| OD1238-24MBXC | 3,800 | 175 | 57 | 24 | 16 | 0.68 | 0.51 |
| OD1238-24LBXC | 3,200 | 150 | 52 | 24 | 9 | 0.42 | 0.38 |
| OD1238-24LLBXC | 2,800 | 130 | 48 | 24 | 7 | 0.30 | 0.29 |
| OD1238-48HHBXC | 4,700 | 220 | 63 | 48 | 32 | 0.68 | 0.75 |
| OD1238-48HBXC | 4,300 | 200 | 61 | 48 | 25 | 0.52 | 0.64 |
| OD1238-48MBXC | 3,800 | 175 | 57 | 48 | 17 | 0.36 | 0.51 |
| OD1238-48LBXC | 3,200 | 150 | 52 | 48 | 11 | 0.22 | 0.38 |
| OD1238-48LLBXC | 2,800 | 130 | 48 | 48 | 9 | 0.18 | 0.29 |

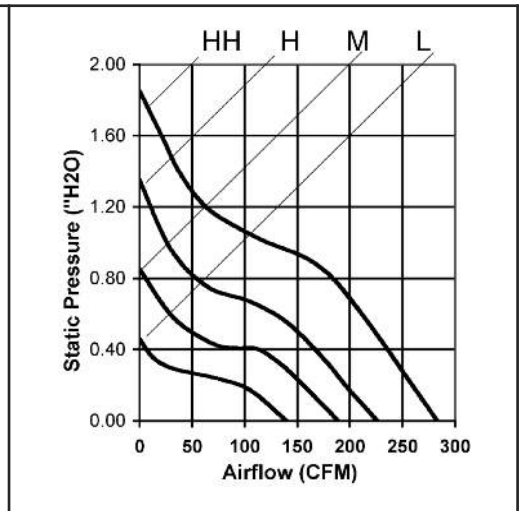
OD1238 VA Series DC Fan Vane Axial High Pressure



High Performance DC Fan 12, 24, 48V
120 x 38mm (4.7" x 1.5")



| | | |
|-----------------------|---|--|
| Frame & Impeller | PBT, UL94V-0 plastic | Available Options: Tachometer Alarm Thermal Speed Control PWM IP55 Salt Fog Life Expectancy (L10) 65,000 hours (45C) Weight: ~0.78 lbs m4 |
| Connection | 2x Lead wires 24AWG | |
| Motor | Brushless DC, auto restart, polarity protected | |
| Bearing System | Dual ball bearing | |
| Insulation Resistance | 10M ohm between leadwire and frame (500VDC) | |
| Dielectric Strength | 1 minute at 500 VAC, max leakage < 500 MicroAmp | |
| Temperature Range | -20C ~ +75C | |
| Storage Temperature | -40C ~ +80C | |

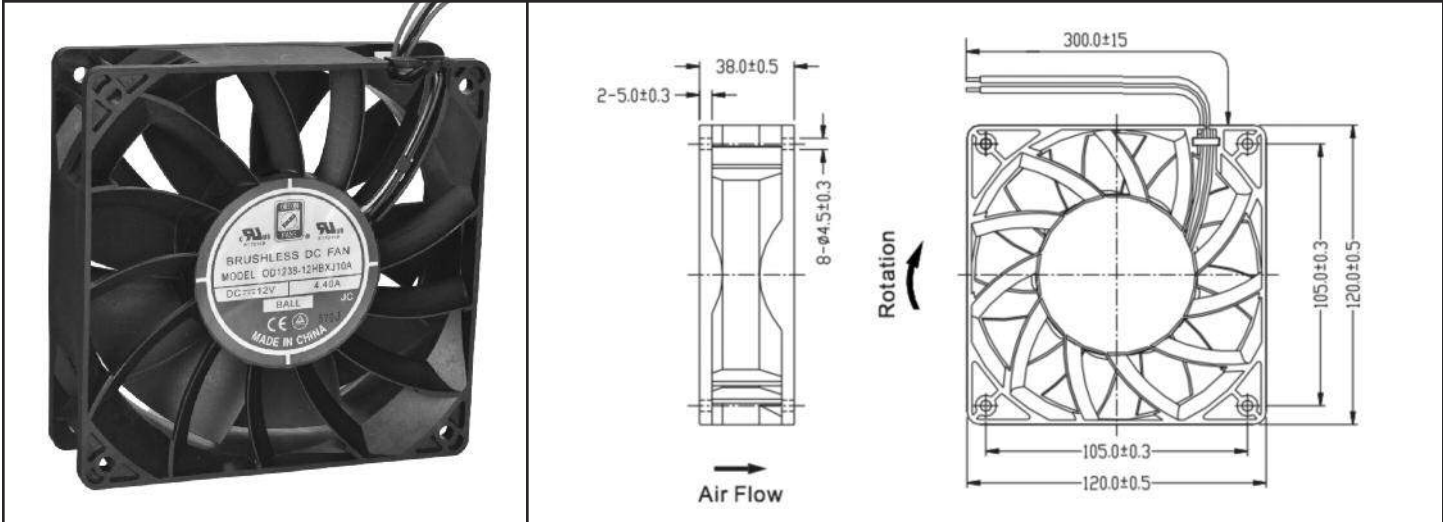


| Model Number | Speed (RPM) | Airflow (CFM) | Noise (dB) | Volts DC | Voltage Range | Amps | Max. Static Pressure (H ₂ O) |
|-----------------|-------------|---------------|------------|----------|---------------|------|---|
| OD1238-12HBVXC | 5,000 | 226 | 65 | 12 | 6~14 | 3.6 | 1.35 |
| OD1238-12MBVXC | 4,000 | 189 | 59 | 12 | 6~14 | 2.0 | 0.85 |
| OD1238-12LBVXC | 3,000 | 140 | 52 | 12 | 6~14 | 1.5 | 0.46 |
| OD1238-24HBVXC | 5,000 | 226 | 65 | 24 | 12~28 | 1.7 | 1.35 |
| OD1238-24MBVXC | 4,000 | 189 | 59 | 24 | 12~28 | 1.1 | 0.85 |
| OD1238-24LBVXC | 3,000 | 140 | 52 | 24 | 12~28 | 0.6 | 0.46 |
| OD1238-48HHBVXC | 6,000 | 283 | 70 | 48 | 24~55 | 1.3 | 1.85 |
| OD1238-48HBVXC | 5,000 | 226 | 65 | 48 | 24~55 | 1.0 | 1.35 |
| OD1238-48MBVXC | 4,000 | 189 | 59 | 48 | 24~55 | 0.6 | 0.85 |
| OD1238-48LBVXC | 3,000 | 140 | 52 | 48 | 24~55 | 0.4 | 0.46 |

OD1238 XJ Series



DC Fan - 12V, 24V
120 x 38mm (4.7" x 1.5")



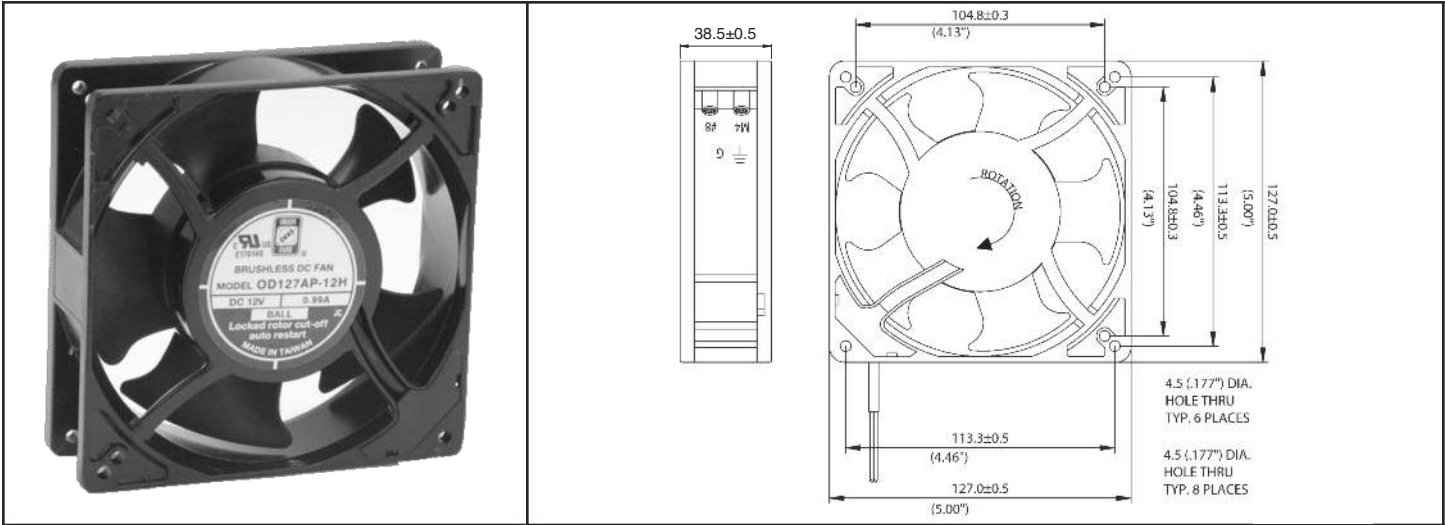
| | | | |
|-----------------------|---|--|----------------------------------|
| Frame & Impeller | PBT, UL94V-0 plastic | Available Options: *Connection: Red (+) Black (-) UL1430, 24AWG ~300mm Weight: ~ .83 lbs. Tachometer - Open Collector PWM m1 | Fan Performance Curve |
| Connection | 2x Lead wires | | |
| Motor | Brushless DC, auto restart, polarity protected. | | |
| Bearing System | Dual ball bearing | | |
| Insulation Resistance | Min. 10M at 500VDC | | |
| Dielectric Strength | 1 minute at 500 VAC, max leakage < 500 MicroAmp | | |
| Temperature Range | -10C ~ +70C | | |
| Storage Temperature | -40C ~ +80C | | |
| Life Expectancy | 70,000 hours (40C) | | |

| Part Number | Speed (RPM) | Airflow (CFM) | Noise (dB) | Nominal Voltage | Voltage Range (VDC) | Rated Power (Watt) | Rated Current | Max. Static Pressure ("H ₂ O) |
|---------------|-------------|---------------|------------|-----------------|---------------------|--------------------|---------------|--|
| OD1238-12HBXJ | 6,000 | 250 | 69 | 12 V DC | 7 ~ 13.2 | 44.4 | 3.70 A | 1.48" H ₂ O |
| OD1238-24HBXJ | 6,000 | 250 | 69 | 24 V DC | 17 ~ 26.4 | 42 | 1.75 A | 1.48" H ₂ O |
| OD1238-12MBXJ | 5,000 | 207 | 63 | 12 V DC | 7 ~ 13.2 | 27.6 | 2.30 A | 1.04" H ₂ O |

OD127AP Series



DC Fan - Aluminum Frame 12, 25, 48V
127 x 38.5mm (5.0" x 1.5")



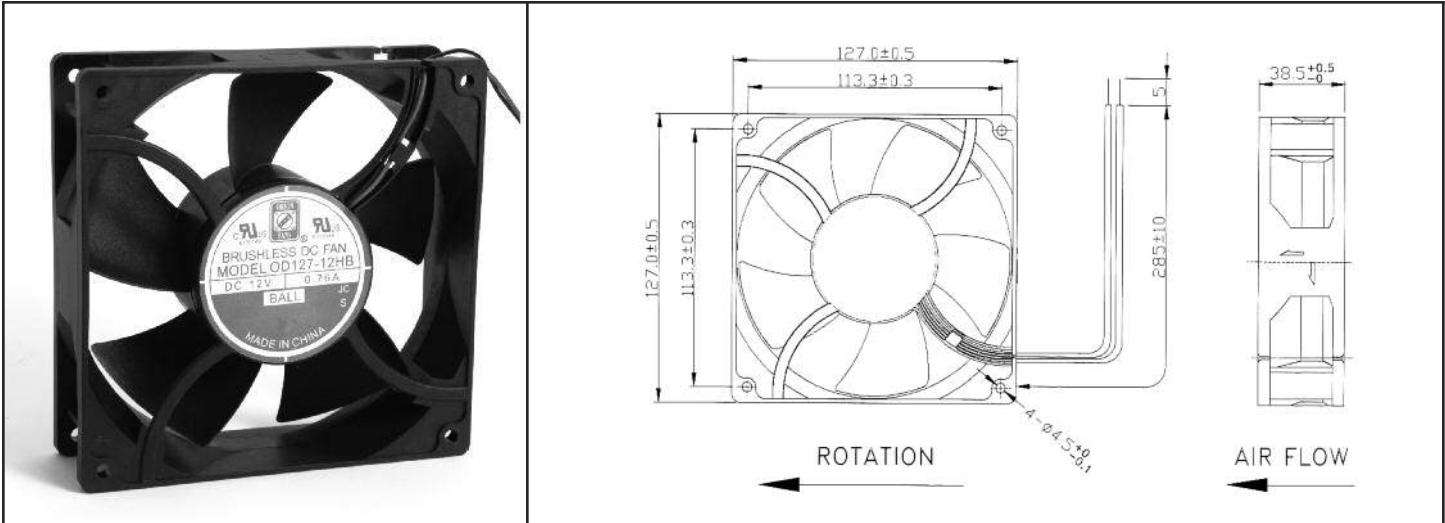
| | | | |
|-----------------------|---|--|--|
| Frame | Diecast Aluminum | Available Options: Tachometer (FG) Alarm (RD) Thermal Speed Control PWM Input Sleeve bearing <u>Life Expectancy (L10)</u> Ball - 60,000 hrs (45C) <u>Operating Temperature</u> Ball: -20 ~ +75C Weight: ~0.93 lbs m0 | |
| Impeller | PBT, UL94V-0 plastic | | |
| Connection | 2x Lead wires or terminals | | |
| Motor | Brushless DC, auto restart, polarity protected | | |
| Bearing System | Dual Ball bearing | | |
| Insulation Resistance | 10M ohm between leadwire and frame (500VDC) | | |
| Dielectric Strength | 1 minute at 500 VAC, max leakage < 500 MicroAmp | | |
| Storage Temperature | -40C ~ +80C | | |

| Model Number | Speed (RPM) | Airflow (CFM) | Noise (dB) | Volts DC | Voltage Range | Amps | Max. Static Pressure (\"H2O) |
|--------------|-------------|---------------|------------|----------|---------------|------|------------------------------|
| OD127AP-12HB | 3,200 | 140 | 46 | 12 | 9~13.8 | 0.88 | 0.41 |
| OD127AP-12MB | 2,600 | 108 | 38 | 12 | 9~13.8 | 0.50 | 0.33 |
| OD127AP-12LB | 1,900 | 86 | 30 | 12 | 9~13.8 | 0.20 | 0.23 |
| OD127AP-24HB | 3,000 | 140 | 46 | 24 | 12~27.6 | 0.43 | 0.41 |
| OD127AP-24MB | 2,600 | 108 | 38 | 24 | 12~27.6 | 0.23 | 0.33 |
| OD127AP-24LB | 1,900 | 86 | 30 | 24 | 12~27.6 | 0.15 | 0.23 |
| OD127AP-48HB | 3,200 | 140 | 46 | 48 | 26~56 | 0.22 | 0.41 |
| OD127AP-48MB | 2,600 | 108 | 38 | 48 | 26~56 | 0.10 | 0.33 |
| OD127AP-48LB | 1,900 | 86 | 30 | 48 | 26~56 | 0.07 | 0.33 |

OD127 Series



DC Fan - 12, 24, 48V
127 x 38.5mm (5.0" x 1.5")



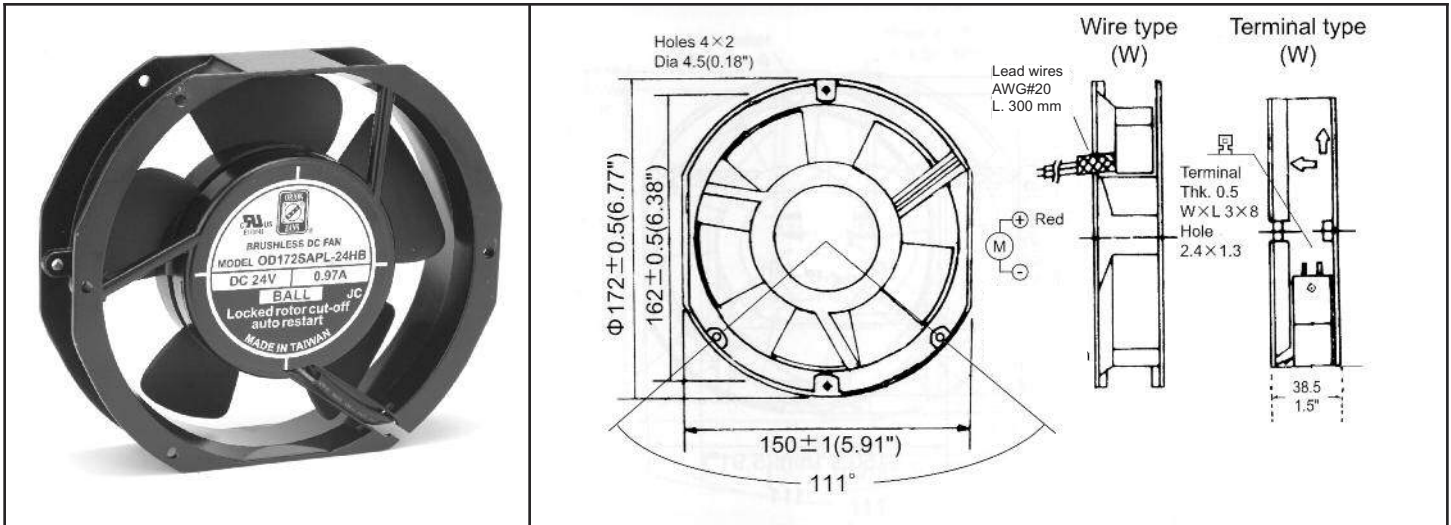
| | | | |
|-----------------------|---|--|--|
| Frame & Impeller | PBT, UL94V-0 plastic | Available Options: Tachometer Alarm Thermal Speed Control PWM Input | |
| Connection | 2x Lead wires | | |
| Motor | Brushless DC, auto restart, polarity protected | <u>Life Expectancy (L10)</u> Ball - 60,000 hrs (45C) | |
| Bearing System | Dual Ball bearing | <u>Operating Temperature</u> Ball: -20 ~ 75C | |
| Insulation Resistance | 10M ohm between leadwire and frame (500VDC) | Weight: ~.82 lbs | |
| Dielectric Strength | 1 minute at 500 VAC, max leakage < 500 MicroAmp | m1 | |
| Storage Temperature | -40C ~ +80C | | |

| Model Number | Speed (RPM) | Airflow (CFM) | Noise (dB) | Volts DC | Voltage Range | Amps | Max. Static Pressure ("H ₂ O) |
|---------------|-------------|---------------|------------|----------|---------------|------|--|
| OD127-12HHB | 3,500 | 193 | 56 | 12 | 8~14 | 1.2 | 0.46 |
| OD127-12HB | 2,950 | 161 | 53 | 12 | 8~14 | 0.78 | 0.35 |
| OD127-24HHB | 3,500 | 193 | 56 | 24 | 11~28 | 0.60 | 0.46 |
| OD127-24HB | 2,950 | 161 | 53 | 24 | 11~28 | 0.41 | 0.35 |
| OD127-48HHBXC | 4,500 | 242 | 64 | 48 | 22~55 | 0.70 | 0.63 |
| OD127-48HBXC | 4,100 | 226 | 63 | 48 | 22~55 | 0.55 | 0.55 |
| OD127-48HHB | 3,500 | 193 | 56 | 48 | 22~55 | 0.34 | 0.46 |
| OD127-48HB | 2,950 | 161 | 53 | 48 | 22~55 | 0.23 | 0.35 |
| OD127-48LB | 2,500 | 133 | 48 | 48 | 22~55 | 0.17 | 0.23 |
| OD127-48LLB | 2,000 | 107 | 41 | 48 | 22~55 | 0.12 | 0.16 |

OD172SAPL Series



DC Fan - 12, 24, 48V
172 x 150x38mm (6.7" x 5.9" x 1.5")



| | | | |
|-----------------------|---|---|--|
| Frame | Diecast Aluminum | Available Options: Tachometer Alarm Thermistor Speed Control PWM Speed Control Constant Speed <u>Life Expectancy (L10)</u> Ball - 60,000 hrs (45C) <u>Operating Temperature</u> Ball: -20C ~ +75C Weight: ~1.7 lbs m0 | |
| Impeller | PBT, UL94V-0 plastic | | |
| Connection | 2x Lead wires, AWG20 or terminals | | |
| Motor | Brushless DC, auto restart, polarity protected | | |
| Bearing System | Dual ball bearing | | |
| Insulation Resistance | 10M ohm between leadwire and frame (500VDC) | | |
| Dielectric Strength | 1 minute at 500 VAC, max leakage < 500 MicroAmp | | |
| Storage Temperature | -40C ~ +80C | | |

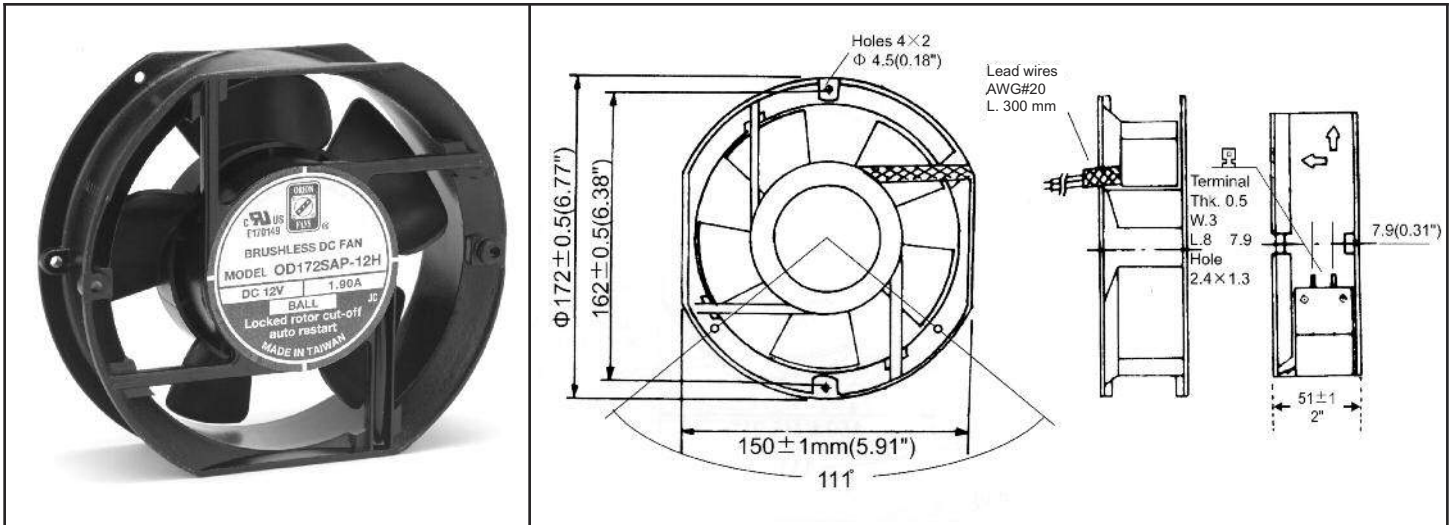
| Model Number | Speed (RPM) | Airflow (CFM) | Noise (dB) | Volts DC | Voltage Range | Amps | Max. Static Pressure ("H ₂ O) |
|-----------------|-------------|---------------|------------|----------|---------------|------|--|
| OD172SAPL-12H * | 4,000 | 225 | 55 | 12 | 7~14 | 1.99 | 0.73 |
| OD172SAPL-12M * | 3,300 | 190 | 45 | 12 | 7~14 | 1.10 | 0.51 |
| OD172SAPL-12L * | 2,000 | 120 | 40 | 12 | 7~14 | 0.45 | 0.35 |
| OD172SAPL-24H * | 4,000 | 225 | 55 | 24 | 15~27 | 0.97 | 0.73 |
| OD172SAPL-24M * | 2,800 | 190 | 45 | 24 | 15~27 | 0.52 | 0.51 |
| OD172SAPL-24L * | 2,000 | 120 | 40 | 24 | 15~27 | 0.20 | 0.35 |
| OD172SAPL-48H * | 4,000 | 225 | 55 | 48 | 28~53 | 0.48 | 0.73 |
| OD172SAPL-48M * | 2,800 | 190 | 45 | 48 | 28~53 | 0.30 | 0.51 |
| OD172SAPL-48L * | 2,000 | 120 | 40 | 48 | 28~53 | 0.12 | 0.35 |

* Indicate "B" for wire leads or "TB" for Terminals

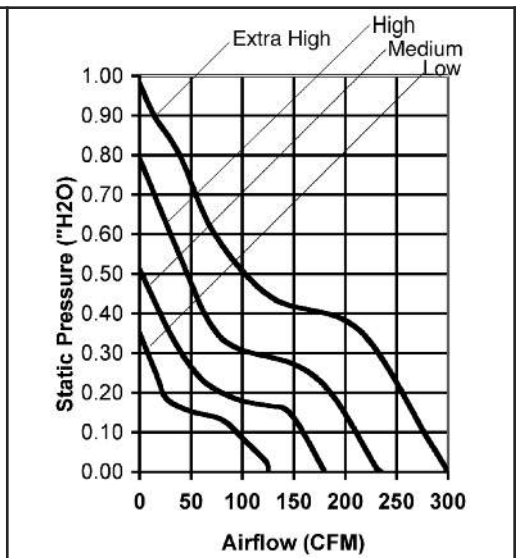
OD172S Series



DC Fan - 12, 24, 48V
172 x 150 x 51mm (6.7" x 5.9" x 2.0")



| | | |
|-----------------------|---|--|
| Frame | Diecast Aluminum | Available Options: Tachometer Alarm Thermistor Speed Control PWM Speed Control Life Expectancy (L10) Ball - 40,000 hrs (60C) Operating Temperature Ball: -20C ~ +75C Weight: ~1.8 lbs m0 |
| Impeller | PBT, UL94V-0 plastic | |
| Connection | 2x Lead wires, AWG20 or terminals | |
| Motor | Brushless DC, auto restart, polarity protected | |
| Bearing System | Dual ball bearing | |
| Insulation Resistance | 10M ohm between leadwire and frame (500VDC) | |
| Dielectric Strength | 1 minute at 500 VAC, max leakage < 500 MicroAmp | |
| Storage Temperature | -40C ~ +80C | |



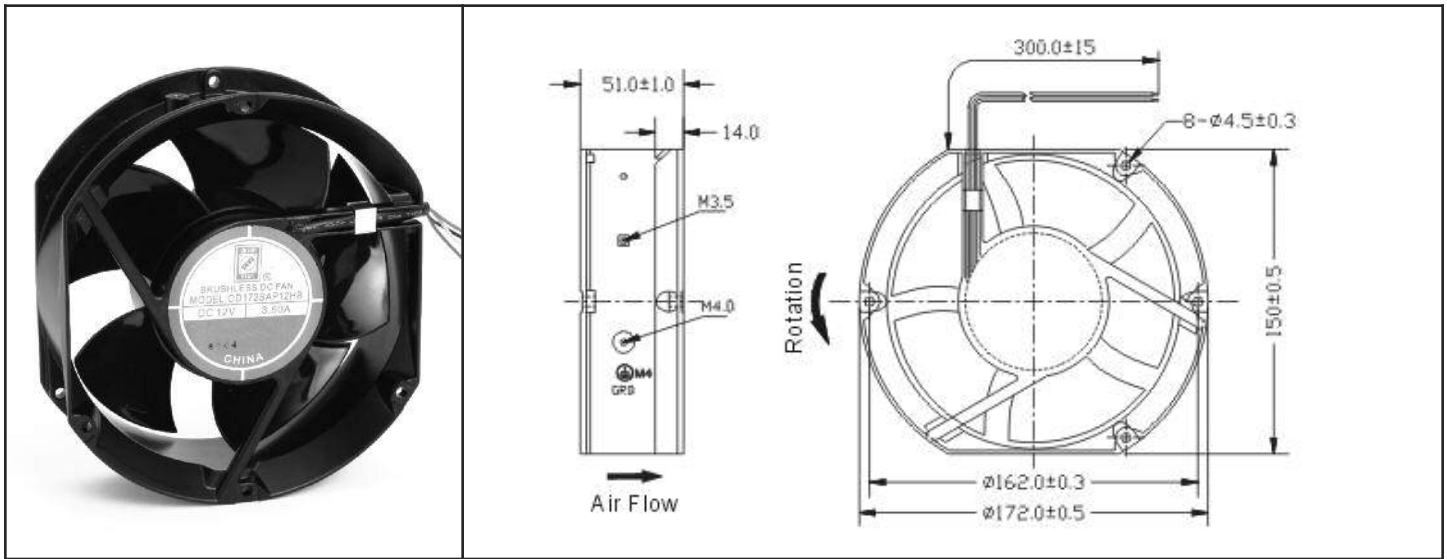
| Model Number | Speed (RPM) | Airflow (CFM) | Noise (dB) | Volts DC | Voltage Range | Amps | Max. Static Pressure (\"H2O) |
|-----------------|-------------|---------------|------------|----------|---------------|------|------------------------------|
| OD172SAP-12HH * | 3,800 | 290 | 56 | 12 | 8~14 | 2.90 | 0.93 |
| OD172SAP-12H * | 3,200 | 230 | 52 | 12 | 8~14 | 1.90 | 0.75 |
| OD172SAP-12M * | 2,500 | 180 | 42 | 12 | 8~14 | 1.10 | 0.51 |
| OD172SAP-12L * | 1,600 | 125 | 32 | 12 | 8~14 | 0.45 | 0.35 |
| OD172SAP-24HH * | 3,900 | 300 | 57 | 24 | 15~28 | 1.40 | 0.98 |
| OD172SAP-24H * | 3,300 | 235 | 52 | 24 | 15~28 | 0.97 | 0.79 |
| OD172SAP-24M * | 2,500 | 180 | 42 | 24 | 15~28 | 0.52 | 0.51 |
| OD172SAP-24L * | 1,600 | 125 | 32 | 24 | 15~28 | 0.20 | 0.35 |
| OD172SAP-48HH * | 3,900 | 300 | 57 | 48 | 22~53 | 0.69 | 0.98 |
| OD172SAP-48H * | 3,300 | 235 | 52 | 48 | 22~53 | 0.48 | 0.79 |
| OD172SAP-48M * | 2,500 | 180 | 42 | 48 | 22~53 | 0.30 | 0.51 |
| OD172SAP-48L * | 1,600 | 125 | 32 | 48 | 22~53 | 0.12 | 0.35 |

* Indicate "B" for wire leads or "TB" for Terminals

OD172S XC Series



DC Fan - High Performance 12, 24 48V
172x150x51mm (6.7"x 5.9"x 2.0")



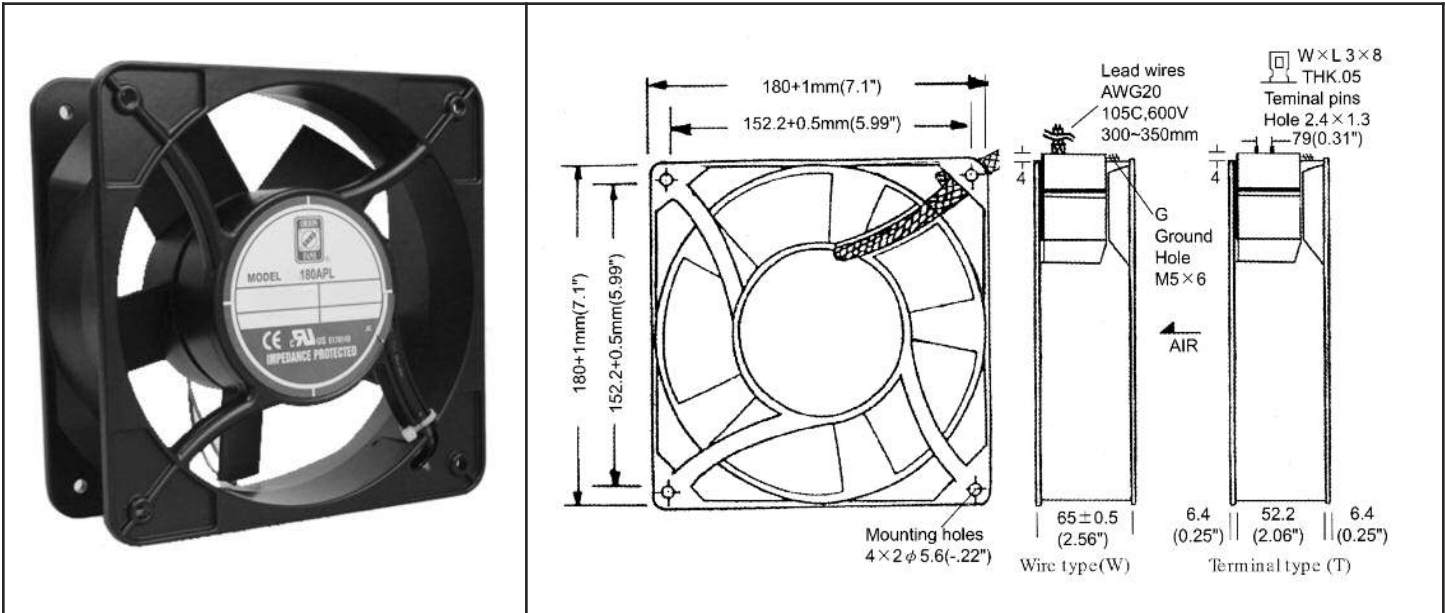
| | | | |
|-----------------------|---|---|--|
| Frame | Diecast Aluminum | <u>Available Options:</u> Alarm Tachometer PWM <u>Temperature Range</u> -20C ~ +75C <u>Life Expectancy (L10)</u> 65,000 hrs (45C) Weight: ~1.63 lbs m4 | |
| Impeller | PBT, UL94V-2 plastic | | |
| Connection | 2x Lead wires, AWG22 | | |
| Motor | Brushless DC, auto restart, polarity protected | | |
| Bearing System | Dual ball bearing | | |
| Insulation Resistance | 10M ohm between leadwire and frame (500VDC) | | |
| Dielectric Strength | 1 minute at 500 VAC, max leakage < 500 MicroAmp | | |
| Storage Temperature | -40C ~ +80C | | |

| Model Number | Speed (RPM) | Airflow (CFM) | Noise (dB) | Volts DC | Voltage Range | Amps | Max. Static Pressure (\"H ₂ O) |
|-----------------|-------------|---------------|------------|----------|---------------|------|---|
| OD172SAP-12HBXC | 3,900 | 277 | 62 | 12 | 9~14 | 3.50 | 1.14 |
| OD172SAP-12MBXC | 3,400 | 232 | 59 | 12 | 9~14 | 2.40 | 0.92 |
| OD172SAP-24HBXC | 4,600 | 307 | 67 | 24 | 12~28 | 2.30 | 1.60 |
| OD172SAP-48HBXC | 4,600 | 307 | 67 | 48 | 24~55 | 1.20 | 1.60 |

OD180APL Series



DC Fan - 12, 24, 48V
180 x 65mm (7.1" x 2.6")



| | | | |
|-----------------------|---|--|--|
| Frame & Impeller | Diecast Aluminum (Frame) PBT, UL94V-0 - (Impeller) | Available Options: Alarm Tachometer PWM Thermal Control Life Expectancy (L10) 60,000 hrs (40C) Weight: ~3.2 lbs m0 | |
| Connection | 2x Lead wires 20AWG or terminals | | |
| Motor | Brushless DC, auto restart, rotor lock & polarity protected | | |
| Bearing System | Dual ball bearing | | |
| Insulation Resistance | 10M ohm between leadwire and frame (500VDC) | | |
| Dielectric Strength | 1 minute at 500 VAC, max leakage < 500 MicroAmp | | |
| Temperature Range | -20C ~ +75C | | |
| Storage Temperature | -20 ~ +80C | | |

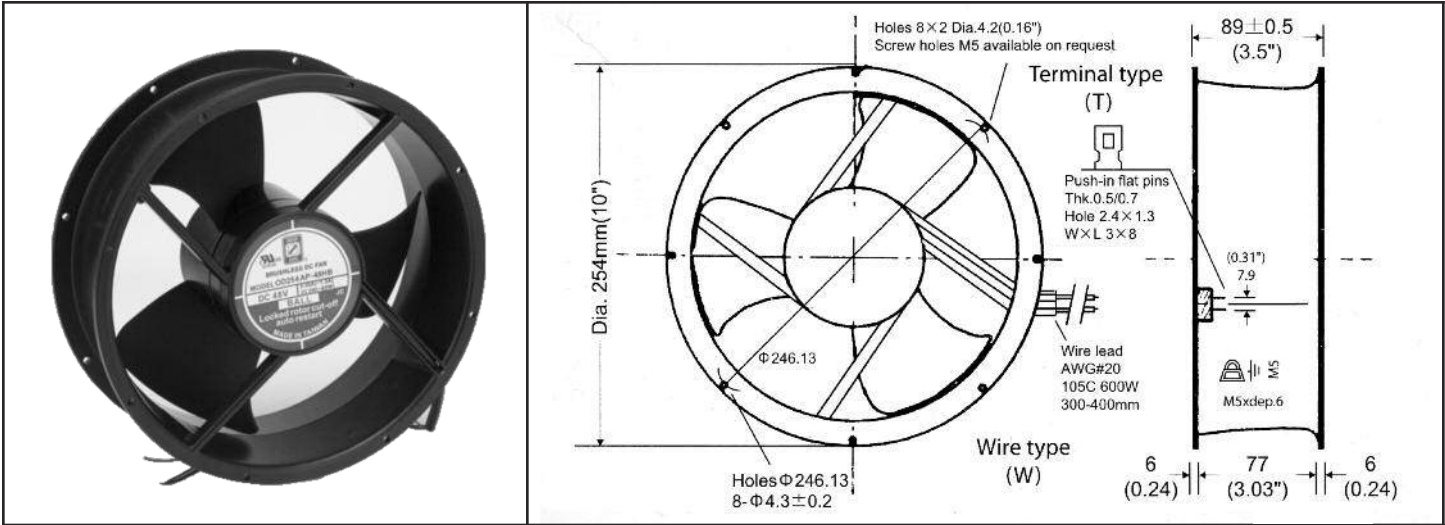
| Model Number | Speed (RPM) | Airflow (CFM) | Noise (dB) | Volts DC | Input Power (Watts) | Amps | Max. Static Pressure (\"H ₂ O) |
|----------------|-------------|---------------|------------|----------|---------------------|------|---|
| OD180APL-12H*B | 3,400 | 460 | 63 | 12 | 50.4 | 4.20 | 1.10 |
| OD180APL-12M*B | 2,800 | 375 | 53 | 12 | 23 | 1.90 | 0.70 |
| OD180APL-12L*B | 2,200 | 300 | 46 | 12 | 13.2 | 1.10 | 0.58 |
| OD180APL-24H*B | 3,500 | 470 | 65 | 24 | 50.4 | 2.10 | 1.20 |
| OD180APL-24M*B | 2,800 | 375 | 53 | 24 | 24 | 0.97 | 0.70 |
| OD180APL-24L*B | 2,200 | 300 | 46 | 24 | 13 | 0.52 | 0.58 |
| OD180APL-48H*B | 3,500 | 470 | 65 | 48 | 49.4 | 1.03 | 1.20 |
| OD180APL-48M*B | 2,800 | 375 | 53 | 48 | 23.5 | 0.48 | 0.70 |
| OD180APL-48L*B | 2,200 | 300 | 46 | 48 | 14.5 | 0.30 | 0.58 |

* Insert letter "T" to indicate terminal type.

OD254 Series



DC Fan - 12, 24, 48V
254x89mm (10.0" x 3.50")



| | | | |
|-----------------------|--|---|--|
| Frame | Diecast Aluminum | Available Options: Tachometer Alarm Thermistor Speed Control PWM Speed Control Life Expectancy (L10) Ball - 40,000 hrs (60C) Operating Temperature Ball: -20C ~ +75C Weight: ~4.0 lbs m0 | |
| Impeller | PBT, UL94V-0 plastic | | |
| Connection | 2x Lead wires 20AWG or terminals | | |
| Motor | Brushless DC, auto restart, impedance and polarity protected | | |
| Bearing System | Ball bearing | | |
| Insulation Resistance | 10M ohm between leadwire and frame (500VDC) | | |
| Dielectric Strength | 1 second at 500 VAC, max leakage < 500 MicroAmp | | |
| Storage Temperature | -40C ~ +90C | | |

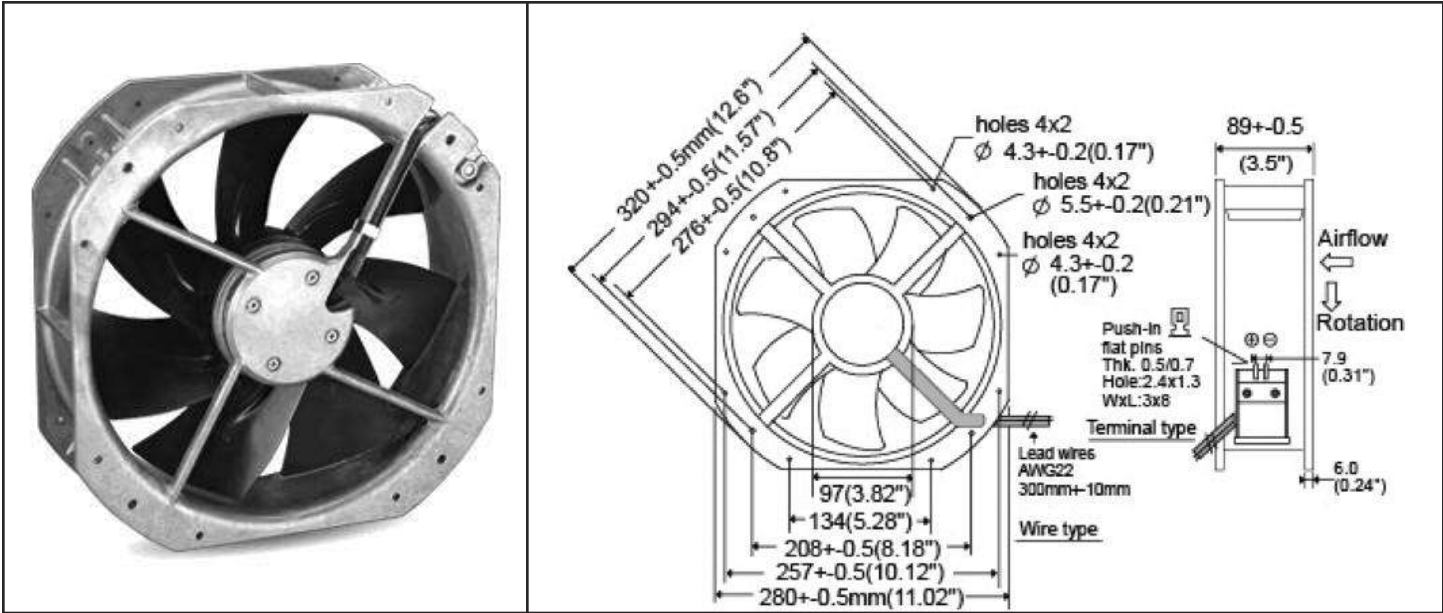
| Model Number | Speed (RPM) | Airflow (CFM) | Noise (dB) | Volts DC | Voltage Range (VDC) | Input Power (Watt) | Amps | Max. Static Pressure (\"H ₂ O) |
|---------------|-------------|---------------|------------|----------|---------------------|--------------------|------|---|
| OD254AP-12H * | 2,400 | 830 | 60 | 12 | 9~13 | 65 | 5.4 | 0.78 |
| OD254AP-12M * | 2,000 | 690 | 47 | 12 | 9~13 | 23 | 1.9 | 0.58 |
| OD254AP-12L * | 1,650 | 550 | 39 | 12 | 8~14 | 13 | 1.1 | 0.37 |
| OD254AP-24H * | 2,500 | 850 | 64 | 24 | 16~27 | 64 | 2.65 | 0.83 |
| OD254AP-24M * | 2,000 | 690 | 47 | 24 | 16~27 | 24 | 0.97 | 0.58 |
| OD254AP-24L * | 1,500 | 550 | 39 | 24 | 16~27 | 13 | 0.52 | 0.37 |
| OD254AP-48H * | 2,500 | 850 | 64 | 48 | 24~53 | 62 | 1.3 | 0.83 |
| OD254AP-48M * | 2,000 | 690 | 47 | 48 | 24~53 | 24 | 0.48 | 0.58 |
| OD254AP-48L * | 1,500 | 550 | 39 | 48 | 24~56 | 15 | 0.30 | 0.37 |

* Indicate "B" for wire leads or "TB" for Terminals

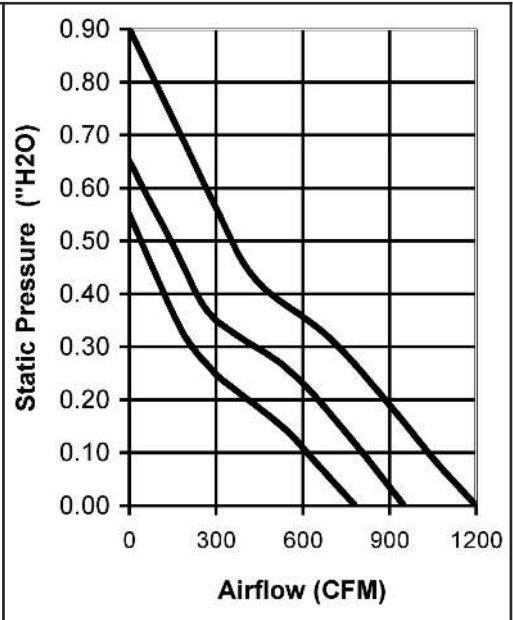
OD280 Series



DC Fan - 12, 24, 48V
280x89mm (11.0"x 3.50")



| | | |
|---------------------|--|--|
| Frame | Diecast Aluminum | Available Options: PWM Tachometer Alarm Thermistor Operating Temperature Ball Bearing -15C ~ +65C Life Expectancy Ball Bearing 85,000 hours (L10 at 35C) Weight: ~6.8 lbs. m0 |
| Impeller | Glass Fiber reinforced thermoplastic. | |
| Connection | Terminals or lead wires | |
| Motor | Programmable microprocessor control Brushless DC, Locked rotor and polarity protected. | |
| Bearing System | Dual ball | |
| Storage Temperature | -25 ~ +80C | |
| Dielectric Strength | 1 minute at 500 VAC, max leakage < 500 MicroAmp | |



| Model Number | Speed (RPM) | Airflow (CFM) | Noise (dB) | Volts DC | Voltage Range | Watts | Max. Static Pressure (\"H2O) |
|--------------|-------------|---------------|------------|----------|---------------|-------|------------------------------|
| OD280-12HB | 2,550 | 1,200 | 72 | 12 | 9 ~ 13.5 | 135 | 0.90 |
| OD280-12MB | 2,200 | 950 | 56 | 12 | 9 ~ 13.5 | 90 | 0.65 |
| OD280-12LB | 1,800 | 780 | 48 | 12 | 9 ~ 13.5 | 62 | 0.55 |
| OD280-24HB | 2,550 | 1,200 | 72 | 24 | 18 ~ 27 | 135 | 0.90 |
| OD280-24MB | 2,200 | 950 | 56 | 24 | 18 ~ 27 | 90 | 0.65 |
| OD280-24LB | 1,800 | 780 | 48 | 24 | 18 ~ 27 | 62 | 0.55 |
| OD280-48HB | 2,550 | 1,200 | 72 | 48 | 24 ~ 55 | 135 | 0.90 |
| OD280-48MB | 2,200 | 950 | 56 | 48 | 24 ~ 55 | 90 | 0.65 |
| OD280-48LB | 1,800 | 780 | 48 | 48 | 24 ~ 55 | 62 | 0.55 |



Long Life Low Cost

The Challenger series provides a unique patented sealed sleeve bearing system that has a life expectancy in excess of 50,000 hours. It is a very cost effective product for the cost conscious OEM

| Size | 120 x 38mm (4.7"x1.5") | | 120 X 25mm (4.7"x 1.0") | | 92 x 25mm (3.6"x1.0") | | 80 x 25mm (3.2" x 1.0") | |
|----------------------|---------------------------|------------------------|----------------------------|------------------------|--------------------------|------------------------|----------------------------|------------------------|
| Part Number | OD1238-12HSS | OD1238-24MSS | OD1225-12HSS | OD1225-24HSS | OD9225-12HSS | OD9225-24HSS | OD8025-12HSS | OD8025-24HSS |
| Nominal Voltage | 12VDC | 24VDC | 12VDC | 24VDC | 12VDC | 24VDC | 12VDC | 24VDC |
| Nominal Current | 0.50A | 0.23A | 0.44A | 0.24A | 0.25A | 0.15A | 0.25A | 0.16A |
| Rated Power | 4.7W | 4.8W | 5.3W | 5.8W | 2.9W | 3.4W | 2.9W | 2.4W |
| Rated Speed (RPM) | 2,800 | 2,540 | 2,200 | 2,200 | 2,900 | 2,900 | 3,100 | 3,100 |
| Airflow (CFM) | 105 | 96 | 85 | 85 | 52 | 52 | 40 | 40 |
| Noise Level (dB) | 47 | 47 | 39 | 39 | 35 | 35 | 34 | 34 |
| Max. Static Pressure | 0.27" H ₂ O | 0.23" H ₂ O | 0.14" H ₂ O | 0.14" H ₂ O | 0.13" H ₂ O | 0.13" H ₂ O | 0.16" H ₂ O | 0.16" H ₂ O |
| Photo | | | | | | | | |

| Size | 60 x 25mm (2.4" x 1.0") | | 40 x 20mm (1.6" x 0.8") | | 40 x 10mm (1.6" x 0.4") | | Frame & Impeller | PBT, UL94V-2 plastic |
|----------------------|----------------------------|------------------------|----------------------------|------------------------|----------------------------|------------------------|-----------------------|--|
| Part Number | OD6025-12HSS | OD6025-24HSS | OD4020-12HSS | OD4020-24HSS | OD4010-12HSS | OD4010-24HSS | Connection | 2x Lead wires |
| Nominal Voltage | 12VDC | 24VDC | 12VDC | 24VDC | 12VDC | 24VDC | Motor | Brushless DC, auto restart, polarity protected |
| Nominal Current | 0.23A | 0.15A | 0.11A | 0.09A | 0.10A | 0.09A | | |
| Rated Power | 2.8W | 3.6W | 1.2W | 1.7W | 1.2W | 1.4W | Bearing System | Sealed Sleeve |
| Rated Speed (RPM) | 4,600 | 4,600 | 7,800 | 7,800 | 6,000 | 6,000 | Insulation Resistance | 10M ohm between lead-wire and frame (500VDC) |
| Airflow (CFM) | 25 | 25 | 9.0 | 9.0 | 6.7 | 6.7 | | |
| Noise Level (dB) | 35 | 35 | 32 | 32 | 25 | 25 | Dielectric Strength | 1,500VAC / 1 min. |
| Max. Static Pressure | 0.20" H ₂ O | 0.20" H ₂ O | 0.30" H ₂ O | 0.30" H ₂ O | 0.10" H ₂ O | 0.10" H ₂ O | | |
| Photo | | | | | | | Operating Temperature | -10C ~ +70C |

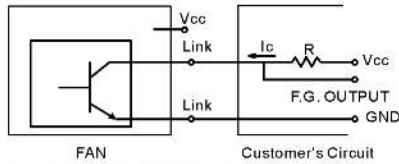


Function

Frequency Generator

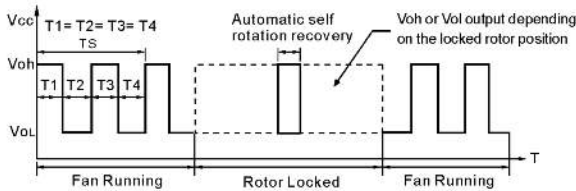
Generates a square wave out frequency equal to 2 periods per revolution for 4 poles fan and informs the user of the fan's running speed.

Application 1 - Open Collector



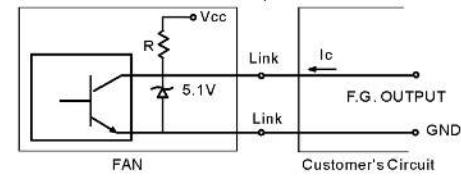
V_{cc} =From + 5 To +28 VDC Do not exceed fan supply voltage
 I_c =5 mA max.
 $R=V/I$ (Output "R" value calculation)

Output Waveform



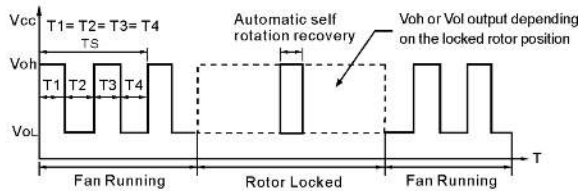
- ◆ $N=R.P.M$
- ◆ $T_s=60/N$ (Sec)
- ◆ Output Level
 $V_{oh}=V_{cc} \pm 10\%$
 $V_{ol}=0 \sim 0.6V$
 $I_c=5$ mA max.

Application 2 - TTL Compatible



$I_c=5$ mA max.

Output Waveform

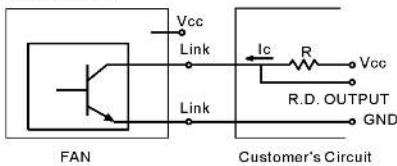


- ◆ $N=R.P.M$
- ◆ $T_s=60/N$ (Sec)
- ◆ Output Level
 $V_{oh}=5.0V \pm 0.5V$
 $V_{ol}=0 \sim 0.6V$
 $I_c=5$ mA max.

Rotation detector

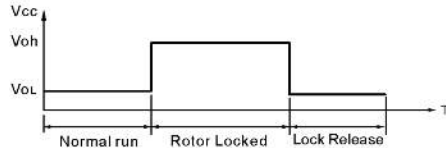
Detects whether the fan is running or has stopped by generation a high or low output signal.

Application 1



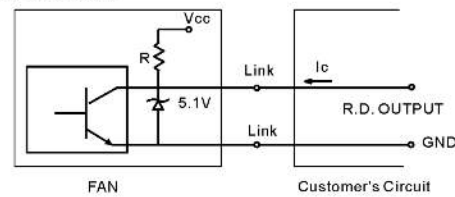
V_{cc} =From + 5 To +28 VDC (Generally using + 12 or + 24VDC)
 $I_c=2$ mA max.
 $R=V/I$ (Output "R" value calculation)

Output Waveform



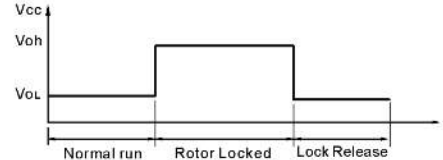
- ◆ Output Level
 $V_{oh}=V_{cc} \pm 10\%$
 $V_{ol}=0 \sim 0.6V$
 $I_{cc}=5$ mA max.

Application 2



V_{cc} = From + 5 To +28 VDC (Generally using + 12 or + 24VDC)
 $I_c=5$ mA max.
 R (type) = 10K

Output Waveform

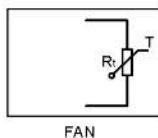


- ◆ Output Level
 $V_{oh}=5.0V \pm 0.5V$
 $V_{ol}=0 \sim 0.6V$
 $I_{cc}=5$ mA max.

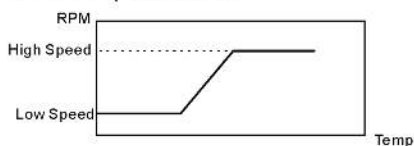
Temperature Control

Controls the fan speed via an thermistor which changes with the temperature of the task area where the thermistor is located.

Application



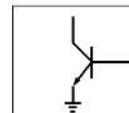
RPM Temperature curve



Pulse width modulation

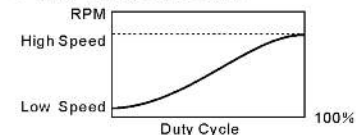
Controls the fan speed automatically via an external input Pulse Width Modulation signal.

Application



- ◆ Input impedance 10K Ω
 PWM Operating frequency is 25 \pm 5KHz
 $V_{IHMIN}=3.3VDC$
 $V_{ILMAX}=0.4VDC$

RPM & Duty Cycle Curve





OA600ST Series
432x338x44.5mm
 (17"x 13.3"x 1.75")
 115V, 230V

OA300ST Series
432x203x44.5mm
 (17"x 8"x 1.75")
 115V, 230V



- Lighted rocker switch
- Resettable circuit breaker
- Unit slides in to any standard 19" rack
- Tray features 3 or 6 high performance sealed ball bearing fans
- Black wrinkle finish
- Operating temperature -40 to + 75 degrees C

| Part Number | OA600ST-120 | OA600ST-230 | OA300ST-120 | OA300ST-230 |
|------------------------|-----------------------|-----------------------|-----------------------|-----------------------|
| No. of Fans | 6 | 6 | 3 | 3 |
| Bearing System | Dual Ball Bearing | Dual Ball Bearing | Dual Ball Bearing | Dual Ball Bearing |
| Nominal Voltage (60Hz) | 115 VAC | 230 VAC | 115 VAC | 230 VAC |
| Input Power | 90 Watts | 90 Watts | 45 Watts | 45 Watts |
| Rated Speed (RPM) | 3,000 | 3,000 | 3,000 | 3,000 |
| Airflow (CFM) | 620 | 620 | 310 | 310 |
| Noise Level (dB) | 56 | 56 | 53 | 53 |
| Life Expectancy | 60,000 hrs (25C) | 60,000 hrs (25C) | 60,000 hrs (25C) | 60,000 hrs (25C) |
| Connection | 2M Modular Power Cord | 2M Modular Power Cord | 2M Modular Power Cord | 2M Modular Power Cord |

OMB5200 Series



AC Fan Tray - 115V & 230V
432 x 348 x 132.6mm (17"x 13.7"x 5.22")



Unit slides in to any standard 19" rack.

Tray features 2 high performance sealed ball bearing fans.

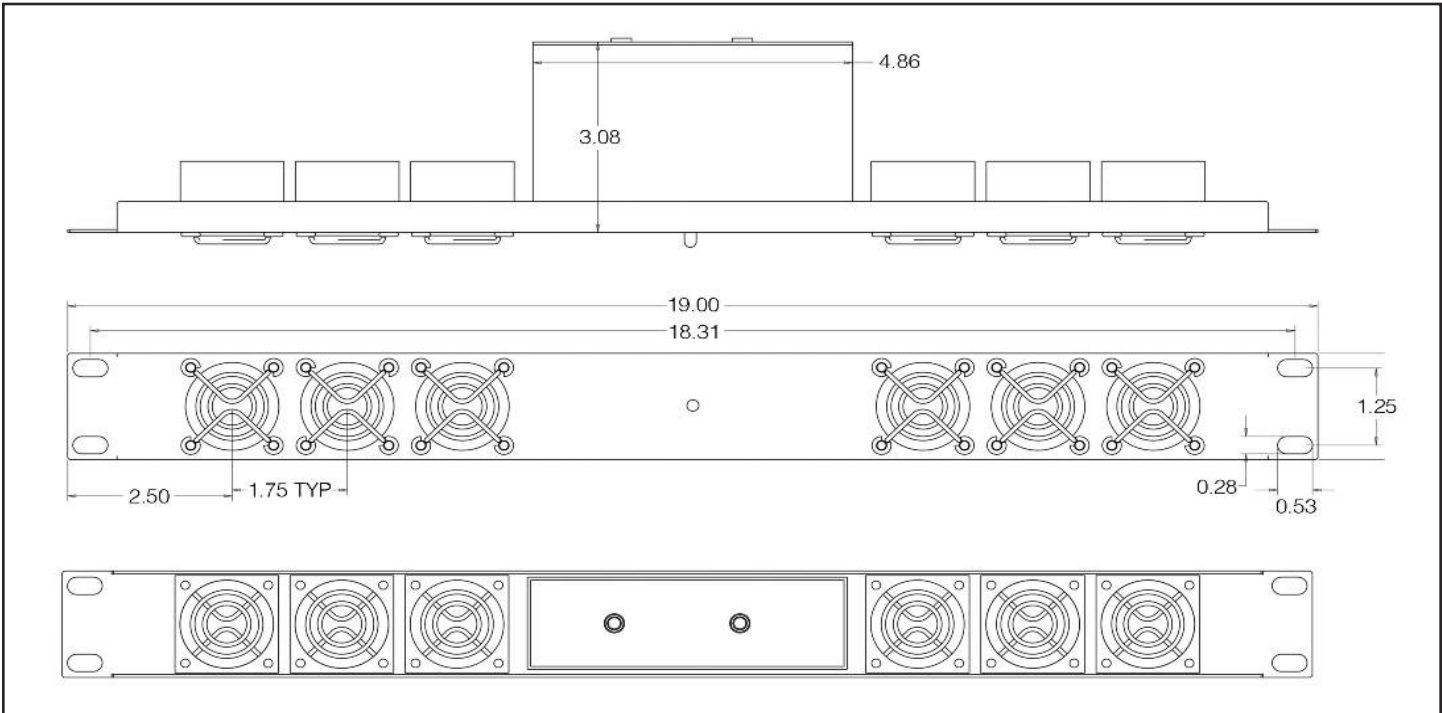
Power cord configured for standard 115 VAC or 230 VAC connection.

| Part Number | OMB5200-120 | OMB5200-230 |
|------------------------|-------------------|-------------------|
| No. of Fans | 2 | 2 |
| Bearing System | Dual Ball Bearing | Dual Ball Bearing |
| Nominal Voltage (60Hz) | 115 VAC | 230 VAC |
| Input Power | 70 Watts | 70 Watts |
| Rated Speed (RPM) | 3,500 | 3,500 |
| Airflow (CFM) | 340 | 340 |
| Noise Level (dB) | 57 | 57 |
| Life Expectancy | 60,000 hrs (25C) | 60,000 hrs (25C) |
| Connection | 1.8M Power Cord | 1.8M Power Cord |

OA406 Fan Tray



Universal Input 90 - 264VAC



| | |
|----------------------------|--|
| <p>Description</p> | <ul style="list-style-type: none"> • Universal 90-264VAC Input external power supply • 1U high, panel mount configuration • Either N. American NEMA 5-15P or IEC320-C14 connection • High Airflow 160CFM • Bi-color LED alarm indicator lamp • Optional redundant 2nd power supply available • Redundant power switching is seamless and automatic • Redundant power input may be from customers 12VDC supply • Sturdy 16 Ga Powder Coated Steel Construction |
| <p>Part Numbers</p> | <p>OA406: Power Input NEMA 5-15 plug OA406-IEC: C14 power supply plug OA406-DUAL: With redundant power supply OA406-IEC-DUAL: With redundant power supply, international version OA406-PS: Add-on power supply. Converts OA406 to DUAL OA406-IEC-PS: Add-on power supply. International version</p> |

OA300ST Short Tray



Environment Responsive Smart Fan Tray
432 x 203 x 44.5mm

The OA300ST Smart fan tray saves energy costs by sensing its environment and adjusting its performance

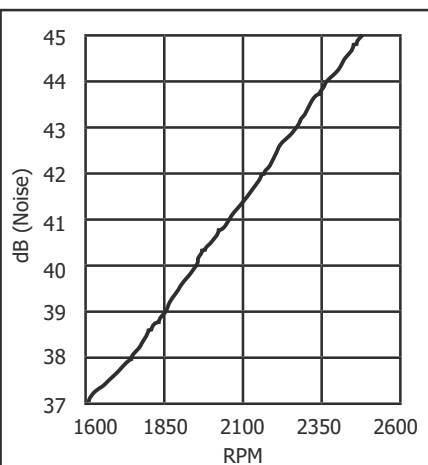
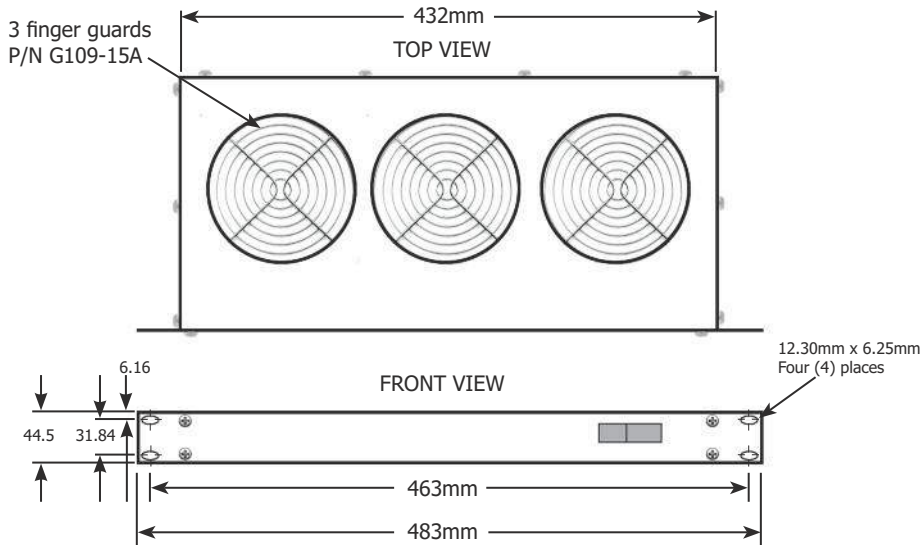
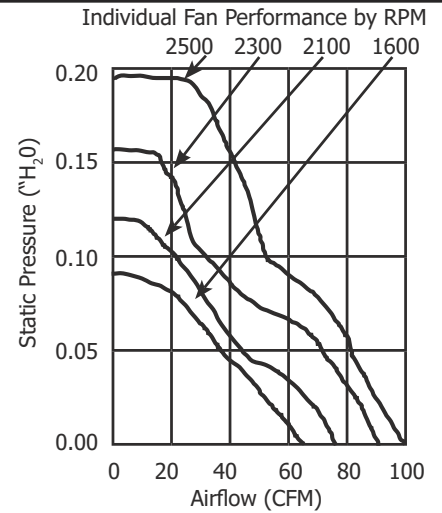
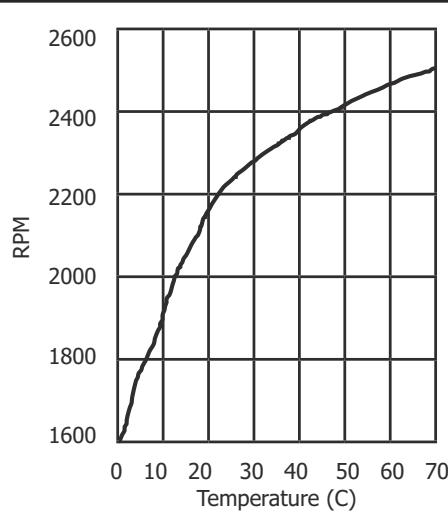
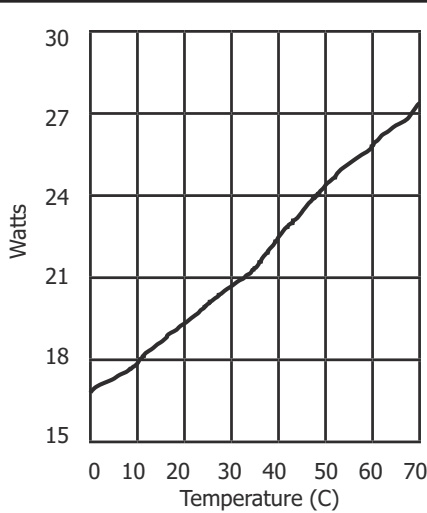
Modular power cord, resettable circuit breaker and lighted rocker

Speed: 1,600 ~ 2,500 RPM
Air Flow: 190 ~ 300

Slides easily into any standard 19" rack

115V, 230V AC Available

60,000 hour life expectancy



Low noise
Low power consumption
Ultra low speed operation

OPTIONS

Automatic thermal control, hub mounted or lead mounted
Manual speed control

| Part Number | Description |
|---------------|---------------------------------------|
| OA300ST-12003 | 120VAC, hub-mounted thermistor |
| OA300ST-12004 | 120VAC, remote, detachable thermistor |
| OA300ST-23003 | 230VAC, hub-mounted thermistor |
| OA300ST-23004 | 230VAC, remote, detachable thermistor |

ThermalCare Fan Trays



AC and DC Fan Trays UL and cUL Listed

| Model Number | Part Number | Voltage | Fans | CFM |
|------------------------------|-------------------|------------|------|-----|
| AC FAN TRAYS | | | | |
| OA300S | FTA-03115-014(BK) | 115VAC | 3 | 330 |
| OA600S | FTA-06115-014(BK) | | 6 | 660 |
| OA300 | FTA-03115-018(BK) | | 3 | 330 |
| OA300-A | expansion module | | 3 | 330 |
| OA600 | FTA-06115-018(BK) | | 6 | 660 |
| OA900 | FTA-09115-018(BK) | | 9 | 990 |
| OA302S | FTA-03220-014(BK) | 230VAC | 3 | 330 |
| OA602S | FTA-06220-014(BK) | | 6 | 660 |
| OA302 | FTA-03220-018(BK) | | 3 | 330 |
| OA302-A | expansion module | | 3 | 330 |
| OA602 | FTA-06220-018(BK) | | 6 | 660 |
| OA902 | FTA-09220-018(BK) | | 9 | 990 |
| DUAL VOLTAGE AC TRAYS | | | | |
| OA300S-DV | FTA-03DV-014(BK) | 115/230VAC | 3 | 330 |
| OA600S-DV | FTA-06DV-014(BK) | | 6 | 660 |
| OA300-DV | FTA-03DV-018(BK) | | 3 | 330 |
| OA300DV-A | expansion module | | 3 | 330 |
| OA600-DV | FTA-06DV-018(BK) | | 6 | 660 |
| OA900-DV | FTA-09DV-018(BK) | | 9 | 990 |
| DC FAN TRAYS | | | | |
| OD300S-12 | FTD-03012-014(BK) | 12VDC | 3 | 330 |
| OD600S-12 | FTD-06012-014(BK) | | 6 | 660 |
| OD300-12 | FTD-03012-018(BK) | | 3 | 330 |
| OD300-12-A | expansion module | | 3 | 330 |
| OD600-12 | FTD-06012-018(BK) | | 6 | 660 |
| OD900-12 | FTD-09012-018(BK) | | 9 | 990 |
| OD300S-24 | FTD-03024-014(BK) | 24VDC | 3 | 330 |
| OD600S-24 | FTD-06024-014(BK) | | 6 | 660 |
| OD300-24 | FTD-03024-018(BK) | | 3 | 330 |
| OD300-24-A | expansion module | | 3 | 330 |
| OD600-24 | FTD-06024-018(BK) | | 6 | 660 |
| OD900-24 | FTD-09024-018(BK) | | 9 | 990 |
| OD300S-48 | FTD-03048-014(BK) | 48VDC | 3 | 330 |
| OD300-48-A | expansion module | | 3 | 330 |
| OD600S-48 | FTD-06048-014(BK) | | 6 | 660 |
| OD300-48 | FTD-03048-018(BK) | | 3 | 330 |
| OD600-48 | FTD-06048-018(BK) | | 6 | 660 |
| OD900-48 | FTD-09048-018(BK) | | 9 | 990 |

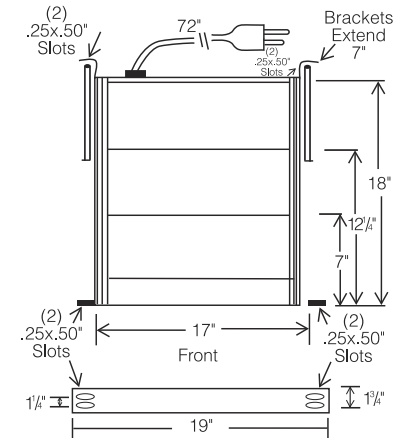
Fan trays are UL listed by the part number only. Model numbers are assigned as configuration descriptors only and do not affect UL certifications.



basic fan tray specifications...

Frame

Heavy Duty steel construction with extruded aluminum side rails. Black color standard, gray available by special order.



Hardware

EZ-mount clip nuts and fasteners

Configuration

Standard trays have 3, 6 or 9 fans installed. Our ADD-a-MODULE feature allows the user to easily increase or decrease the amount of cooling in 3-fan increments.

Options

Ultrashort 3-fan Tray available. Lighted on/off rocker switch. Dual voltage selector switch. Fan monitor and alarm. MEDIUM AND LOW SPEED FANS CAN BE SUBSTITUTED FOR LOW-NOISE APPLICATIONS. Ultra high speed fans are available.

We use only top quality, ball bearing ORION FANS in our fan tray assemblies. For DC applications plastic fans are standard however diecast aluminum fans can be substituted on request. (Minimums apply.)

We can customize our fan trays to perform virtually any function required. If you need something which does not appear in this catalog just let us know. Our sales engineers will be happy to discuss your needs and provide a solution.

MAXIMUM FLEXIBILITY



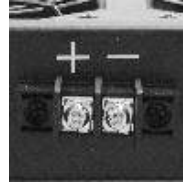
Add-A-Module for additional cooling quickly and simply



115VAC



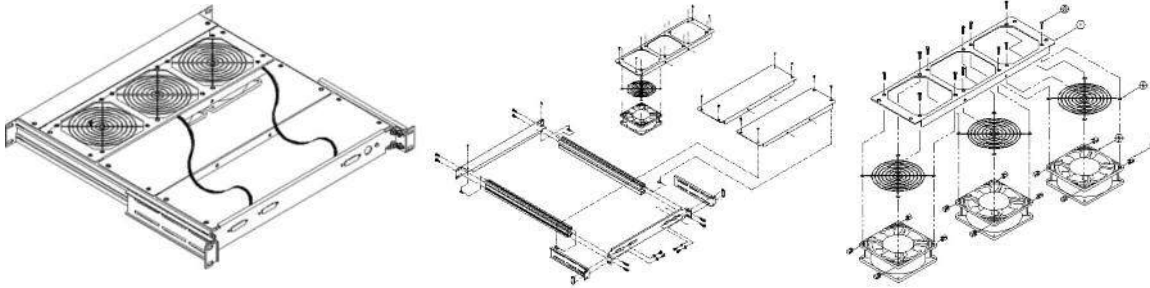
230VAC



DC Power



ORION STANDARD TRAY L=19" W=19" D=1.75" with IEC320, C14-type connector on back. 115/230 volt-age selector included with dual voltage tray.



Standard trays are populated with high speed, ball bearing fans. We can substitute virtually any 120mm AC or DC fan for your special project. Just let your sales engineer know what your requirements are and he or she will be happy to provide a solution.

Custom Trays

ORION FANS fan trays are available in dozens of stock configurations. If you cannot find what you are looking for give us a call. We can design and build your trays from scratch or we can help you come up with solutions for your toughest problems.



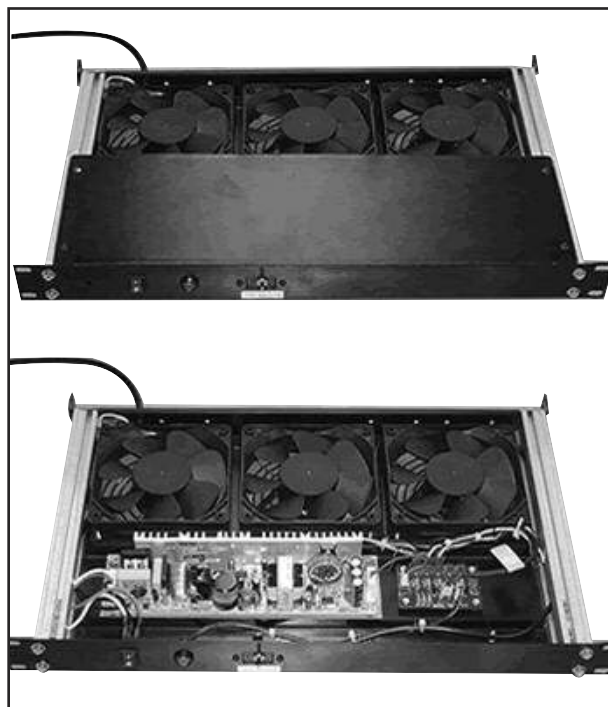
ORION SHORT TRAY L=14" W=19" D=1.75". Optional lighted on/off rocker with IEC320, C14-type connector on back. 115/230 voltage selector included with dual voltage tray.



Dual Voltage Selector



Lighted on/off rocker




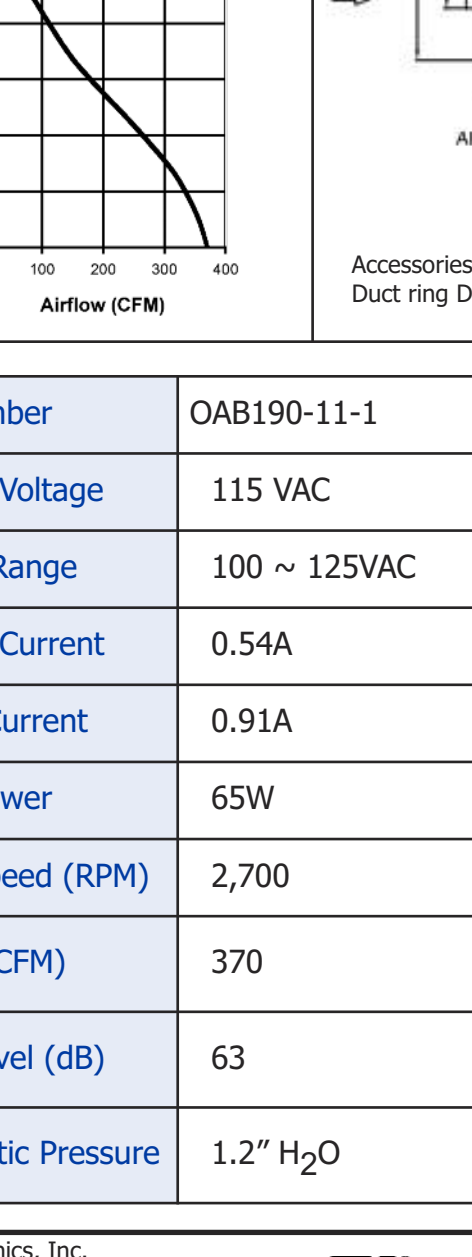
EXPANSION MODULE Maximum flexibility - minimum effort. Add or subtract fan modules quickly and easily as your cooling needs change. Overall dimensions 16.5" x 5.25" x 1.75"

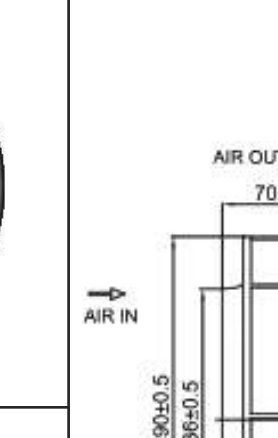
OAB190 Series



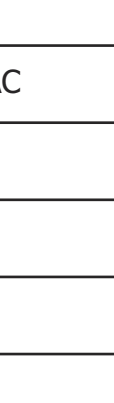
AC Fan - 115V, 230V
Motorized Impeller
190 x 70mm (7.5" x 2.8")







Accessories
Duct ring DR190A



MOTOR WIRING DIAGRAMS

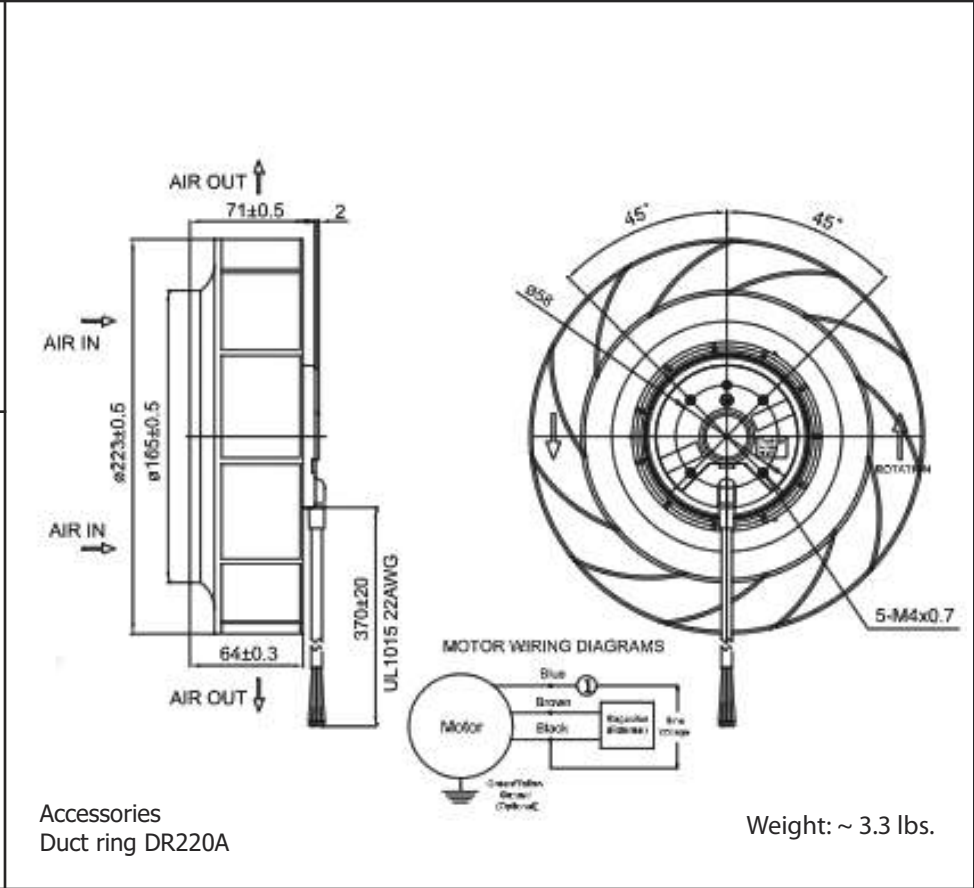
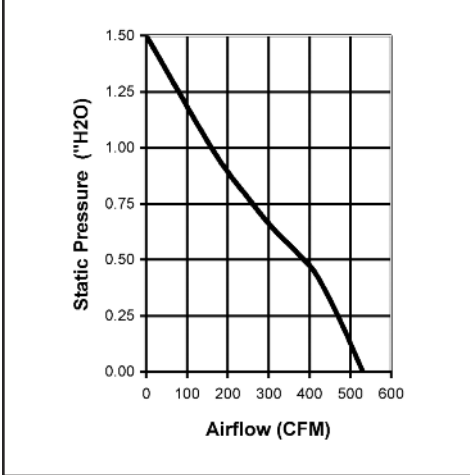
Weight: ~ 2.7 lbs.

| | | | | |
|----------------------|-----------------------|-----------------------|-----------------------|---|
| Part Number | OAB190-11-1 | OAB190-22-1 | Frame | Diecast Aluminum m2 |
| Nominal Voltage | 115 VAC | 230 VAC | Impeller | UL94V-0 Thermoplastic |
| Voltage Range | 100 ~ 125VAC | 200 ~ 240VAC | Connection | 2x Lead wires |
| Nominal Current | 0.54A | 0.30A | Motor | AC, Shaded Pole, thermally protected. CAPACITOR INCLUDED |
| Locked Current | 0.91A | 0.45A | Bearing System | Dual ball bearing |
| Rated Power | 65W | 72W | Insulation Resistance | >100M ohm between leadwire and frame (500VDC) |
| Rated Speed (RPM) | 2,700 | 2,700 | Dielectric Strength | 1,500VAC for 1 minute |
| Airflow (CFM) | 370 | 370 | Temperature Range | -40C ~ +60C |
| Noise Level (dB) | 63 | 63 | Storage Temp | -40C ~ +80C |
| Max. Static Pressure | 1.2" H ₂ O | 1.2" H ₂ O | Life (L10) | 40,000 hrs (L10, 40C) |

OAB220 Series



AC Fan - 115V, 230V
Motorized Impeller
190 x 70mm (7.5" x 2.8")



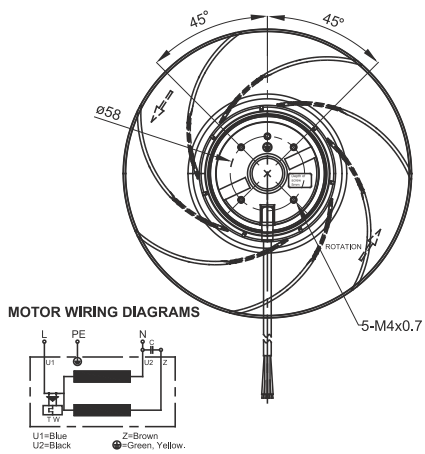
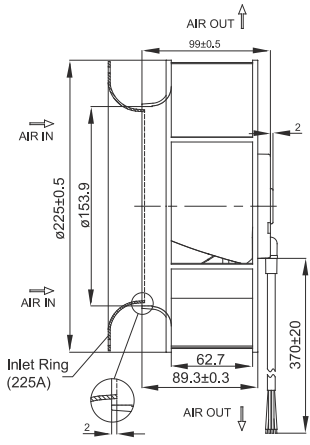
| Part Number | OAB220-11-1 | OAB220-22-1 |
|----------------------|-----------------------|-----------------------|
| Nominal Voltage | 115VAC | 230VAC |
| Voltage Range | 100 ~ 125VAC | 200 ~ 240VAC |
| Nominal Current | 0.98A | 0.50A |
| Locked Current | 1.22A | 0.58A |
| Rated Power | 117W | 117W |
| Rated Speed (RPM) | 2,650 | 2,650 |
| Airflow (CFM) | 530 | 530 |
| Noise Level (dB) | 70 | 70 |
| Max. Static Pressure | 1.5" H ₂ O | 1.5" H ₂ O |

| | |
|-----------------------|--|
| Frame | Diecast Aluminum _{m2} |
| Impeller | UL94V-0 Thermoplastic |
| Connection | 2x Lead wires |
| Motor | AC, Shaded Pole, thermally protected. CAPACITOR INCLUDED |
| Bearing System | Dual ball bearing |
| Insulation Resistance | >100M ohm between leadwire and frame (500VDC) |
| Dielectric Strength | 1,500VAC for 1 minute |
| Temperature Range | -40C ~ +60C |
| Storage Temp | -40C ~ +80C |
| Life (L10) | 40,000 hrs (L10, 40C) |

OAB225 Series



AC Blower, ball bearing, 115, 230V
225 x 99mm (8.86" x 3.9")



Accessories
Duct Ring DR225A

| | |
|----------------------------------|---|
| Backwards Curved Impeller | |
| Frame & Impeller | Aluminum alloy |
| Connection | Lead Wires |
| Motor | AC Capacitor drive 16/250mF (115V) 4/450mF (230V) |
| Bearing System | Dual Ball |

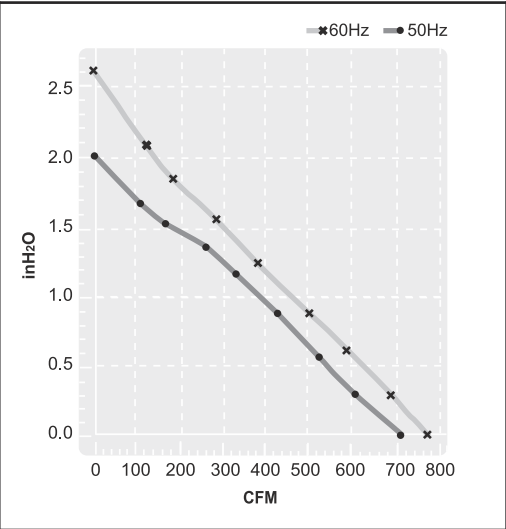
Insulation Housing:
AC1500V / 1 minute

Insulation Resistance:
> 100 M ohms DC500V

Operating Temperature
-40 C ~ +60C

Life Expectancy
40,000 hours (L10, 40C)
Ball bearing

m0

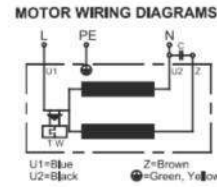
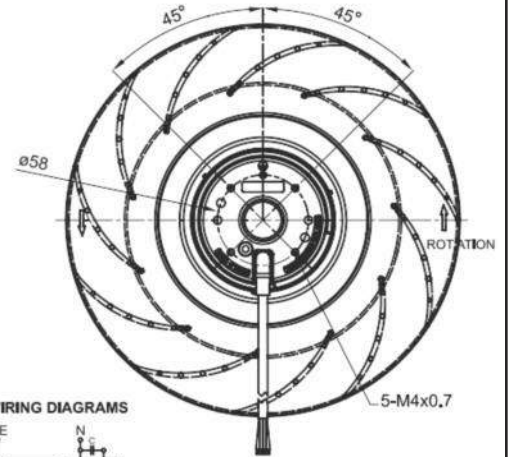
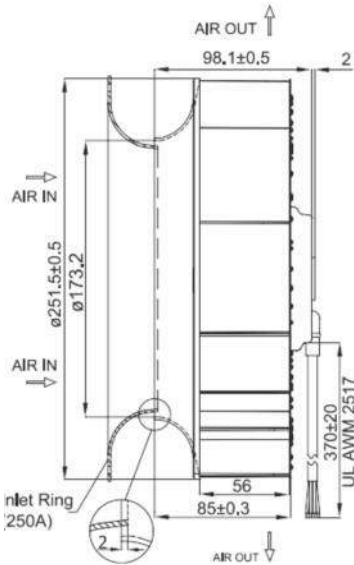
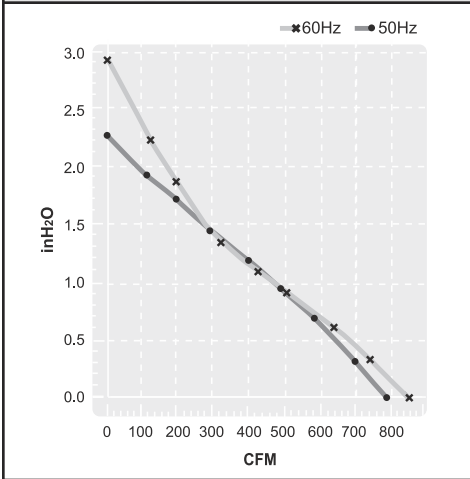


| Part Number | OAB22599-11-1B | OAB22599-22-1B |
|------------------------|-----------------------------|-----------------------------|
| Nominal Voltage | 115 VAC (50/60 Hz) | 230 VAC (50/60 Hz) |
| Nominal Current (Amps) | 1.16 / 1.41 | 0.57 / 0.70 |
| Locked Current (Amps) | 2.22 / 2.30 | 1.14 / 1.15 |
| Rated Power | 128 / 160 W | 126 / 157 W |
| Rated Speed (RPM) | 2,650 / 2,950 | 2,650 / 2,950 |
| Airflow (CFM) | 700 / 770 | 700 / 770 |
| Noise Level (dB) | 69 / 71 | 69 / 71 |
| Max. Static Pressure | 2.0 / 2.6" H ₂ O | 2.0 / 2.6" H ₂ O |

OAB250 Series



Motorized Impeller, 115, 230V
251.5 x 98.1mm (9.9" x 3.87")



Accessories
Duct ring DR250A

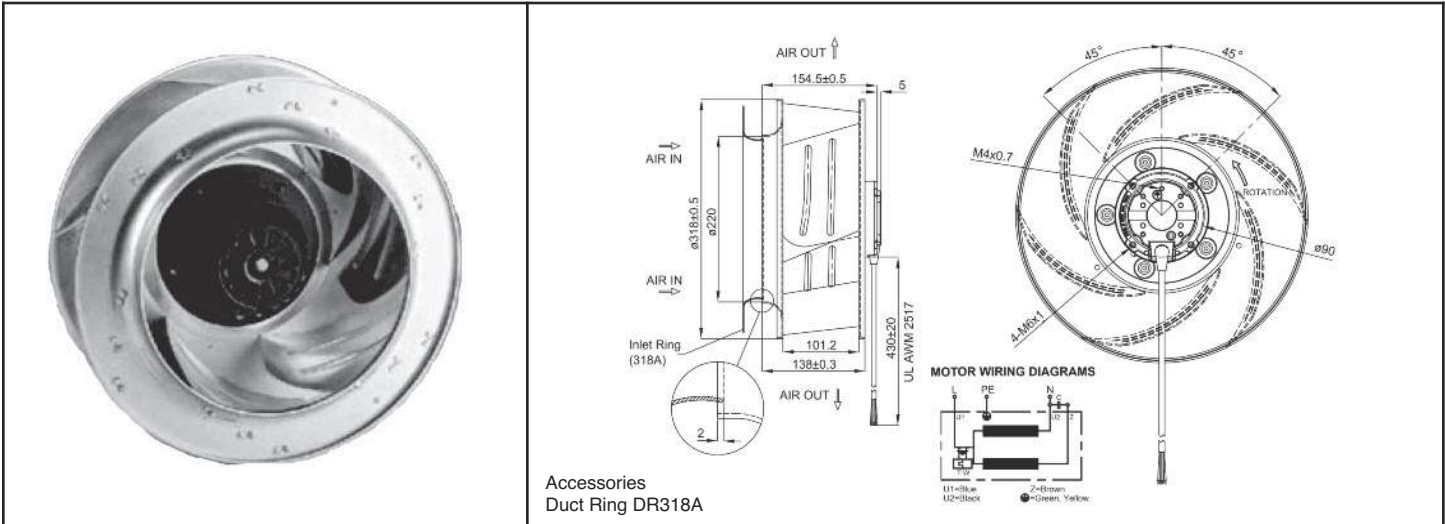
Weight: ~ 3.3 lbs.

| Part Number | OAB250-11-1 | OAB250-22-1 | Frame | Diecast Aluminum _{m2} |
|----------------------|-----------------------|-----------------------|-----------------------|--|
| Nominal Voltage | 115VAC | 230VAC | Impeller | UL94V-0 Thermoplastic |
| Voltage Range | 100 ~ 125VAC | 200 ~ 240VAC | Connection | 4x Lead wires |
| Nominal Current | 2.10A | 1.00A | Motor | AC, Capacitor Run, thermally protected. CAPACITOR INCLUDED |
| Locked Current | 3.00A | 1.52A | Bearing System | Dual ball bearing |
| Rated Power | 240W | 240W | Insulation Resistance | >100M ohm between leadwire and frame (500VDC) |
| Rated Speed (RPM) | 2,700 | 2,700 | Dielectric Strength | 1,500VAC for 1 minute |
| Airflow (CFM) | 850 | 850 | Temperature Range | -40C ~ +60C |
| Noise Level (dB) | 76 | 76 | Storage Temp | -40C ~ +80C |
| Max. Static Pressure | 2.9" H ₂ O | 2.9" H ₂ O | Life (L10) | 40,000 hrs (L10, 40C) |
| Bearing System | Sealed Dual Ball | Sealed Dual Ball | | |

OAB318 Series



AC Blower - 115V, 230V
318 x 154.5mm (12.5"x 6.1")




| | | | |
|-----------------------|--|---|--|
| Frame | Diecast Aluminum | Notes: Date: 030112M2 *CAPACITORS (uF/VDB) 115V - 16/250 230V - 4/450 (Capacitor Included) Weight: ~ 8.6 lbs. | |
| Impeller | Metal alloy | | |
| Connection | 4x Lead Wires | | |
| Motor | AC capacitor drive*, impedance and thermally protected | | |
| Bearing System | Ball Bearing | | |
| Insulation Resistance | 10M ohm between lead wire and frame (500VDC) | | |
| Dielectric Strength | 1 second at 500VAC, max. leakage < 500 MicroAmp | | |
| Temperature Range | -20C ~ +80C (ball) | | |
| Life Expectancy | 60,000 hours L10 (40C) | | |

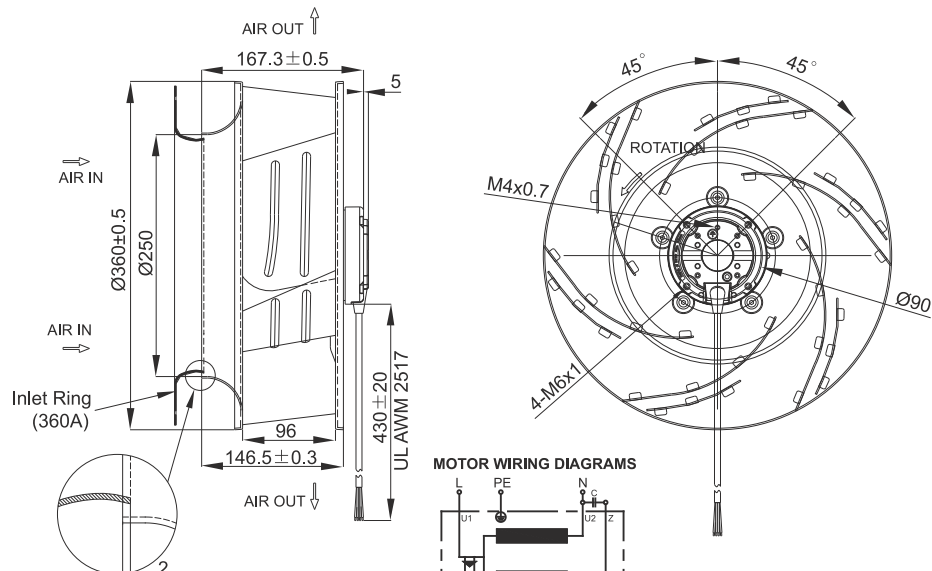
| Model Number | OAB318-11-1B | OAB318-22-1B |
|------------------------|-----------------------------|-----------------------------|
| Nominal Voltage | 115VAC | 230VAC |
| Voltage Range | 108 ~ 125VAC | 210 ~ 240VAC |
| Nominal Current (Amps) | 1.10 / 1.40 [50/60Hz] | 0.60 / 0.68 [50/60Hz] |
| Locked Current (Amps) | 2.60 / 2.40 [50/60Hz] | 1.43 / 1.31 [50/60Hz] |
| Input Power (Watts) | 115 / 155 | 115 / 155 |
| Rated Speed (RPM) | 1390 / 1580 | 1390 / 1580 |
| Airflow (CFM) | 1015 / 1165 | 1015 / 1165 |
| Max. Static Pressure | 1.2 / 1.6" H ₂ O | 1.2 / 1.6" H ₂ O |
| Noise Level (dB) | 63 / 66 | 63 / 66 |

OAB360 Series



Motorized Impeller, 115, 230V
360 x 167mm (14.2" x 6.57")





AIR OUT ↑
167.3±0.5

AIR IN →

AIR IN →

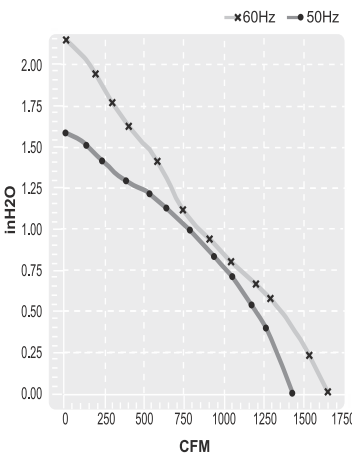
AIR OUT ↓

Inlet Ring (360A)

UL AWM 2517

MOTOR WIRING DIAGRAMS

U1=Blue U2=Black Z=Brown
●=Green, Yellow.



| CFM | 60Hz (inH2O) | 50Hz (inH2O) |
|------|--------------|--------------|
| 0 | 2.2 | 1.6 |
| 250 | 1.9 | 1.4 |
| 500 | 1.6 | 1.2 |
| 750 | 1.3 | 1.0 |
| 1000 | 1.0 | 0.8 |
| 1250 | 0.7 | 0.6 |
| 1500 | 0.4 | 0.4 |
| 1750 | 0.1 | 0.1 |

Accessories
Duct ring DR360A


Weight: ~ 3.3 lbs.

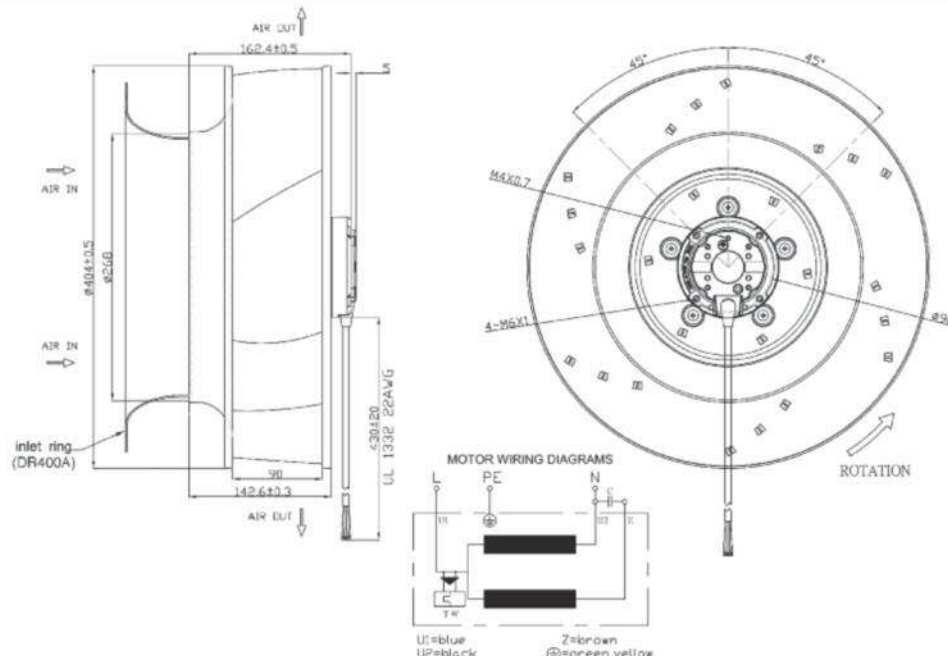
| Part Number | OAB360-11-1 | OAB360-22-1 | Frame | Diecast Aluminum _{m2} |
|----------------------|-----------------------|-----------------------|-----------------------|--|
| Nominal Voltage | 115VAC | 230VAC | Impeller | Metal |
| Voltage Range | 100 ~ 125VAC | 200 ~ 240VAC | Connection | 4x Lead wires |
| Nominal Current | 2.30A | 1.20A | Motor | AC, Capacitor Run, thermally protected. CAPACITOR INCLUDED |
| Locked Current | 4.00A | 2.00A | Bearing System | Dual ball bearing |
| Rated Power | 270W | 265W | Insulation Resistance | >100M ohm between leadwire and frame (500VDC) Class B |
| Rated Speed (RPM) | 1,600 | 1,600 | Dielectric Strength | 1,500VAC for 1 minute |
| Airflow (CFM) | 1645 | 1645 | Temperature Range | -40C ~ +60C |
| Noise Level (dB) | 70 | 70 | Storage Temp | -40C ~ +60C |
| Max. Static Pressure | 2.2" H ₂ O | 2.2" H ₂ O | Life (L10) | 40,000 hrs (L10, 40C) |
| Bearing System | Sealed Dual Ball | Sealed Dual Ball | | |

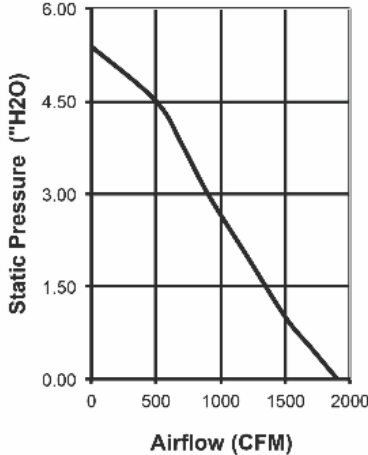
OAB400 Series



Centrifugal Fan - Class B 404 x 162mm (15.9" x 6.4")







Accessories
Duct ring DR400A (optional)

Weight: 12 lbs.

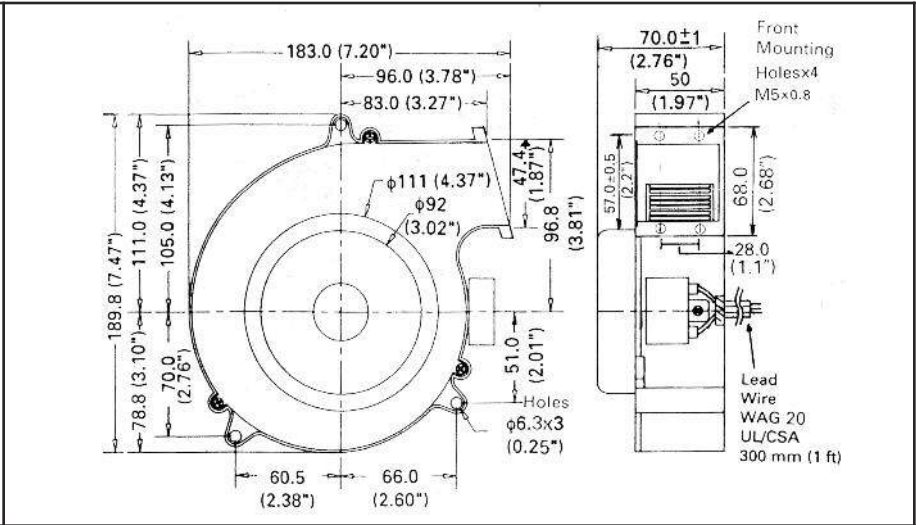
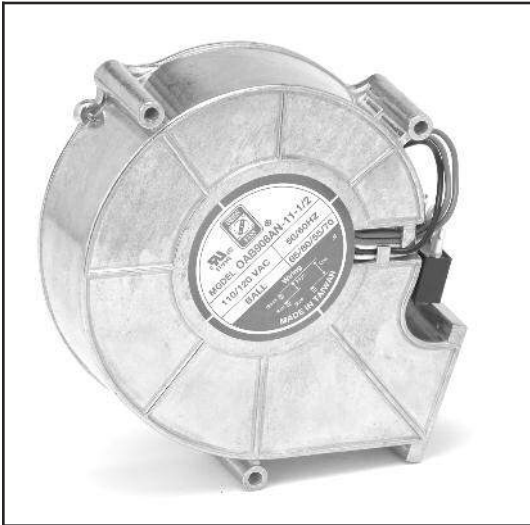
| | |
|----------------------|-------------------------------|
| Model Number | OAB400-22-1 |
| Part Number | 241611002 |
| Nominal Voltage | 230 VAC (50 Hz) |
| Nominal Current | 1.26 A (1.7 A locked) (50 Hz) |
| Rated Power | 287 W |
| Rated Speed (RPM) | 1250 |
| Airflow (CFM) | 1,900 |
| Noise Level (dB) | 73 |
| Max. Static Pressure | 5.4" H ₂ O |
| Bearing System | Sealed Dual Ball |

| | |
|-----------------------|---|
| Frame | Diecast Aluminum <small>m2</small> |
| Impeller | Metal |
| Connection | 4x Leads UL1332, 22AWG |
| Motor | Capacitor run induction and external rotor design Thermal protection. Capacitor included (8uF/450V) |
| Bearing System | Dual ball bearing |
| Insulation Resistance | >100M ohm between leadwire and frame (500VDC) Class B |
| Dielectric Strength | 1,500VAC for 1 minute |
| Temperature Range | -40C ~ +60C |
| Life (L10) | 40,000 hrs (L10, 40C) |

OAB908 Side Inlet Blower

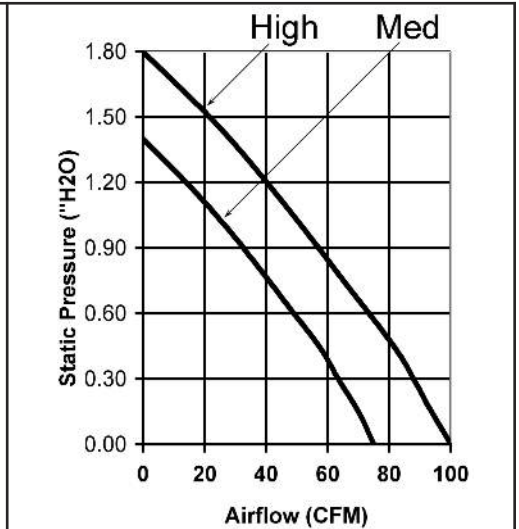


AC Blower, ball bearing, Dual Speed
 183 x 190 x 70mm (7.2" x 7.5" x 2.8")
 115V, 230V



| | |
|---|--|
| Dual Speed Blower (High, Medium) | |
| Frame & Impeller | Aluminum die-cast shell with UL94V-0 impeller |
| Connection | Lead Wires |
| Motor | Single phase, capacitor induction, 2/4 pole, inner rotor, thermal protection |
| Bearing System | Dual ball - sealed |

Operating Temp: Ambient non-condensing allowable thermal range -20C~+75C
Storage Temp -30C ~ +80C
-L10 Life: MTBF life test 80,000 hours at +45C, 40,000 hours at +60C
-Dielectric Strength: Over 1 min. at 1,500 VAC, 0.5mA, 50/60 Hz
-Insulation Resistance: Over 100 Mega Ohm at DC 500V
 Single speed version available m0

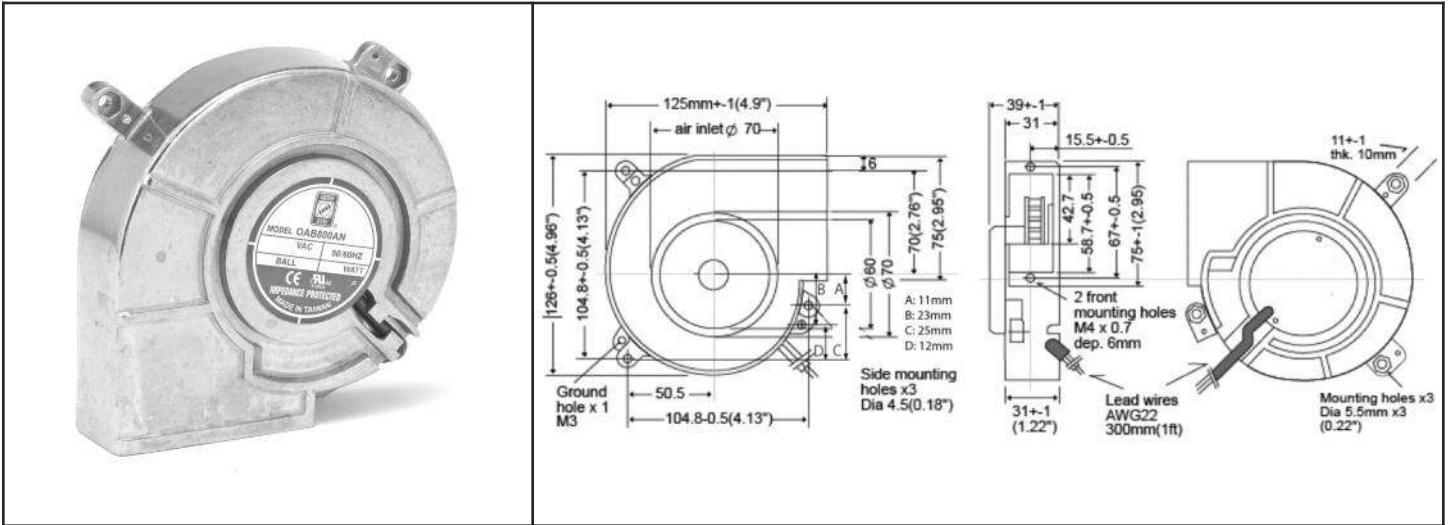


| Model Number | OAB908AN-11-1/2 | OAB908AN-22-1/2 |
|----------------------|---|---|
| Part Number | 264311060 | 264611060 |
| Nominal Voltage | 115 VAC | 230 VAC |
| Voltage Range | 100 ~ 125 VAC | 200 ~ 240 VAC |
| Rated Power | 80 W / 65 W | 80 W / 65 W |
| Rated Speed (RPM) | 3,100 / 2,400 | 3,100 / 2,400 |
| Airflow (CFM) | 100 / 75 | 100 / 75 |
| Noise Level (dB) | 68 / 55 | 68 / 55 |
| Max. Static Pressure | 1.8" H ₂ O / 1.4" H ₂ O | 1.8" H ₂ O / 1.4" H ₂ O |

OAB800AN Series



AC Blower, ball bearing, 115V, 230V
125 x 126 x 39mm (4.9" x 5" x 1.5")



| | | | |
|-----------------------------|---|--|--|
| Side Inlet Blower | | <p>Operating Temp: Ambient non-condensing allowable thermal range -20C~+75C Storage Temp -30C ~ +80C</p> <p>-L10 Life: MTBF life test 85,000 hours at +45C, 40,000 hours at +60C</p> <p>-Dielectric Strength: Over 1 min. at 1,500 VAC, 0.5mA, 50/60 Hz</p> <p>-Insulation Resistance: Over 100 Mega Ohm at DC 500V</p> <p style="text-align: right;">m0</p> | |
| Frame & Impeller | Aluminum die-cast shell with UL94V-0 impeller | | |
| Connection | Lead Wires | | |
| Motor | Shaded pole, inner rotor, single phase, impedance protected | | |
| Bearing System | Dual ball - sealed | | |

| Model Number | Speed (RPM) | Airflow (CFM) | Noise (dB) | Volts AC | Input Power (Watts) | Voltage Range | Max. Static Pressure ("H ₂ O) |
|----------------|-------------|---------------|------------|----------|---------------------|---------------|--|
| OAB800AN-11-1B | 2,800 | 30 | 48 | 115 | 18 | 100~120 | 0.51 |
| OAB800AN-11-2B | 2,100 | 22 | 39 | 115 | 12 | 100~120 | 0.35 |
| OAB800AN-11-3B | 1,400 | 14 | 28 | 115 | 9 | 100~120 | 0.19 |
| OAB800AN-22-1B | 2,800 | 30 | 48 | 230 | 18 | 200~240 | 0.51 |
| OAB800AN-22-2B | 2,100 | 22 | 39 | 230 | 12 | 200~240 | 0.35 |
| OAB800AN-22-3B | 1,400 | 14 | 28 | 230 | 9 | 200~240 | 0.19 |

DC Blowers



DC - Side Inlet 12, 24V

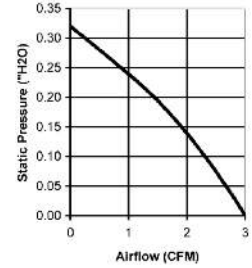
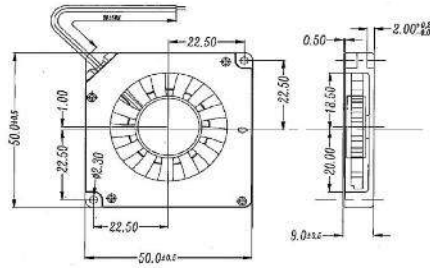
Motor
Brushless DC, locked rotor protected (current limited), auto restart

Insulation Resistance
Min. 10M at 500VDC

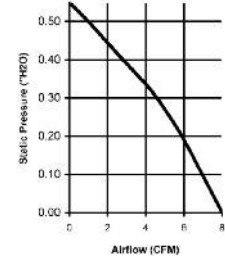
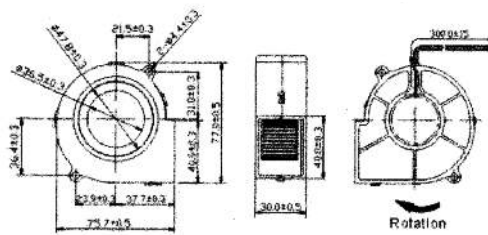
Dielectric Strength
1 minute at 500VAC / 1 second, max leakage 500 microamp

Operating Temperature
-10C ~ +70C

Life Expectancy
70,000 hours (40C)



| Model Number | Speed (RPM) | Airflow (CFM) | Noise (dB) | Volts DC | Voltage Range | Amps | Max. Static Pressure ("H ₂ O) |
|--------------|-------------|---------------|------------|----------|---------------|------|--|
| ODB5009-05HB | 5,000 | 3 | 34 | 5 | 4.5~5.5 | 0.10 | 0.31 |
| ODB5009-12HB | 5,000 | 3 | 34 | 12 | 10.8~15.2 | 0.11 | 0.31 |

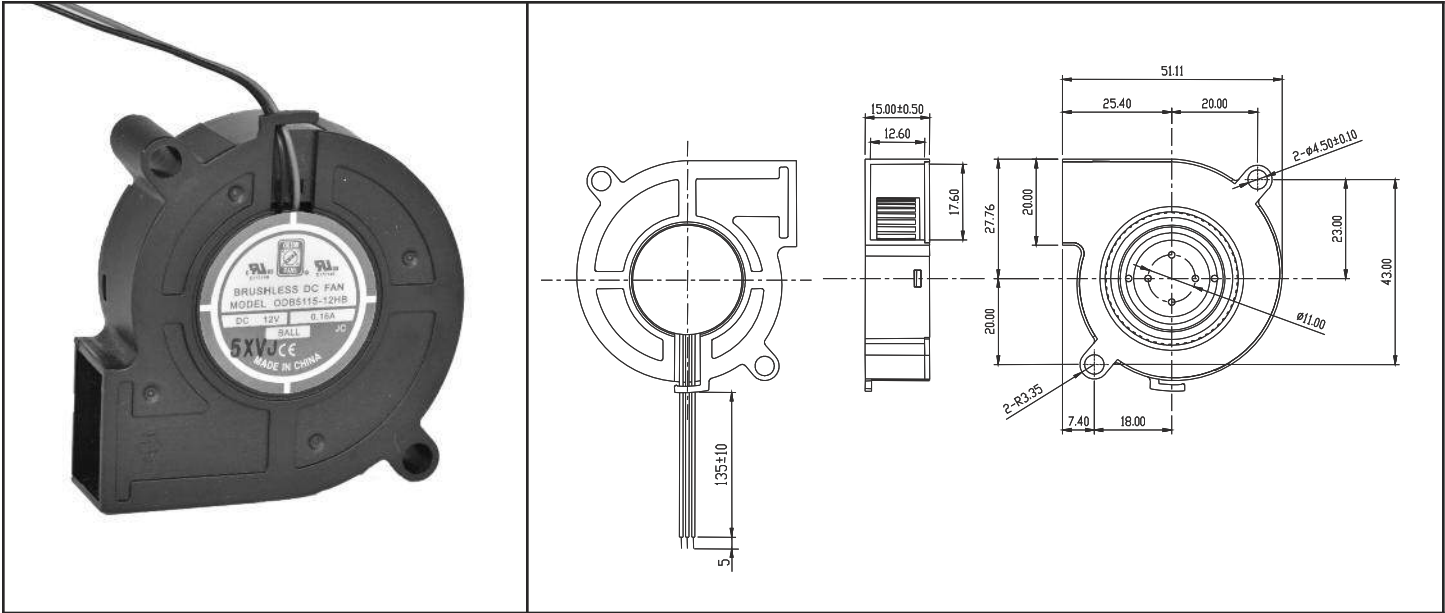


| Model Number | Speed (RPM) | Airflow (CFM) | Noise (dB) | Volts DC | Voltage Range | Amps | Max. Static Pressure ("H ₂ O) |
|--------------|-------------|---------------|------------|----------|---------------|------|--|
| ODB7530-12HB | 3,400 | 13.8 | 42 | 12 | 10.8~13.2 | 0.24 | 0.56 |
| ODB7530-24HB | 3,400 | 13.8 | 42 | 24 | 21.6~26.4 | 0.16 | 0.56 |

ODB5115 Series



DC Blower, 12VDC
51 x 15mm (2." x .59")



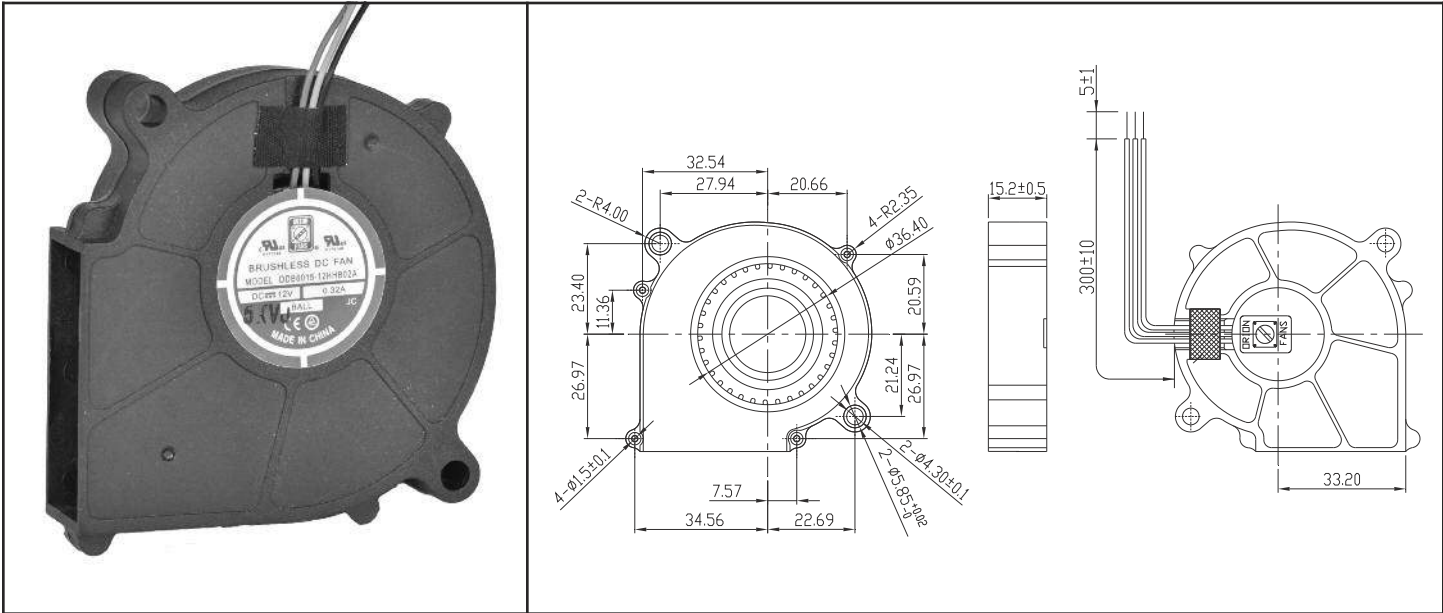
| | | | |
|-----------------------|---|--|---|
| Frame & Impeller | PBT, UL94V-0 plastic | Available Options IP55 Other speeds and voltages Tachometer *Connection: Wire Leads - UL1007 28AWG Red(+), Black(-) Weight: 27 g | Fan Performance Curve FLOWRATE(CMM) |
| Connection | 2x Lead wires * | | |
| Motor | Brushless DC, auto restart, polarity protected. | | |
| Bearing System | Dual ball bearing | | |
| Insulation Resistance | Min. 10M at 500VDC | | |
| Dielectric Strength | 1 second at 500VAC max leakage 500 microamp | | |
| Temperature Range | -10C ~ +70C | | |
| Storage Temperature | -40C ~ +80C | | |
| Life (L10) | 70,000 hours (40C) | | |

| Model Number | Part Number | Speed (RPM) | Airflow (CFM) | Noise (dB) | Volts DC | Voltage Range | Nominal Current | Input Power (Watts) | Max. Static Pressure ("H ₂ O) |
|--------------|-------------|-------------|---------------|------------|----------|---------------|-----------------|---------------------|--|
| ODB5115-12HB | 105141001 | 5,500 | 4.2 | 38 | 12 | 7~13.2 VDC | .12 A | 1.92 | .50 |
| ODB5115-12MB | 105131001 | 4,500 | 3.3 | 37 | 12 | 7~13.2 VDC | .08 A | 1.44 | .35 |
| ODB5115-12LB | 105121001 | 3,500 | 2.4 | 32 | 12 | 7~13.2 VDC | .045 A | .84 | .20 |

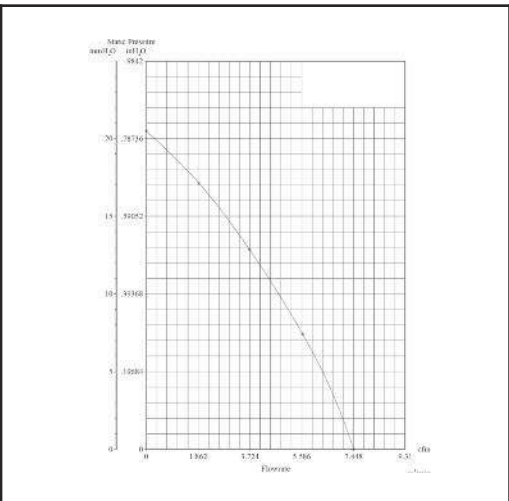
ODB6015-12HHB02A



DC Blower - 12V 60 x 15mm (2.36" x .59")

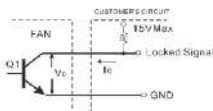


| | | |
|-----------------------|---|---|
| Frame & Impeller | PBT, UL94V-0 plastic | Available Options: Tachometer *Connection UL1571, 28AWG, ~320mm Red (+) Black (-) Yellow Alarm m1 |
| Connection | 3x Lead wires * | |
| Motor | Brushless DC, auto restart, polarity protected | |
| Bearing System | Dual ball bearing | |
| Insulation Resistance | Min. 10M at 500VDC | |
| Dielectric Strength | 1 minute at 500 VAC, max leakage < 500 MicroAmp | |
| Temperature Range | -10C ~ +70C | |
| Storage Temperature | -40C ~ +80C | |

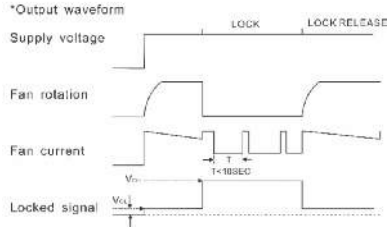


| | |
|----------------------|-----------------------|
| Part Number | ODB6015-12HHB02A |
| Nominal Voltage | 12 VDC |
| Voltage Range | 7 ~ 13.2 VDC |
| Nominal Current | 0.20 A |
| Start-up Voltage | 10.8 VDC |
| Rated Power | 3.84 W |
| Rated Speed (RPM) | 5,000 |
| Airflow (CFM) | 7.45 |
| Noise Level (dB) | 44 |
| Max. Static Pressure | .80" H ₂ O |

Output of locked signal
 *Output type..... Open collector type
 *Electrical design suggestion:
 (External signal function design is decided by customer)



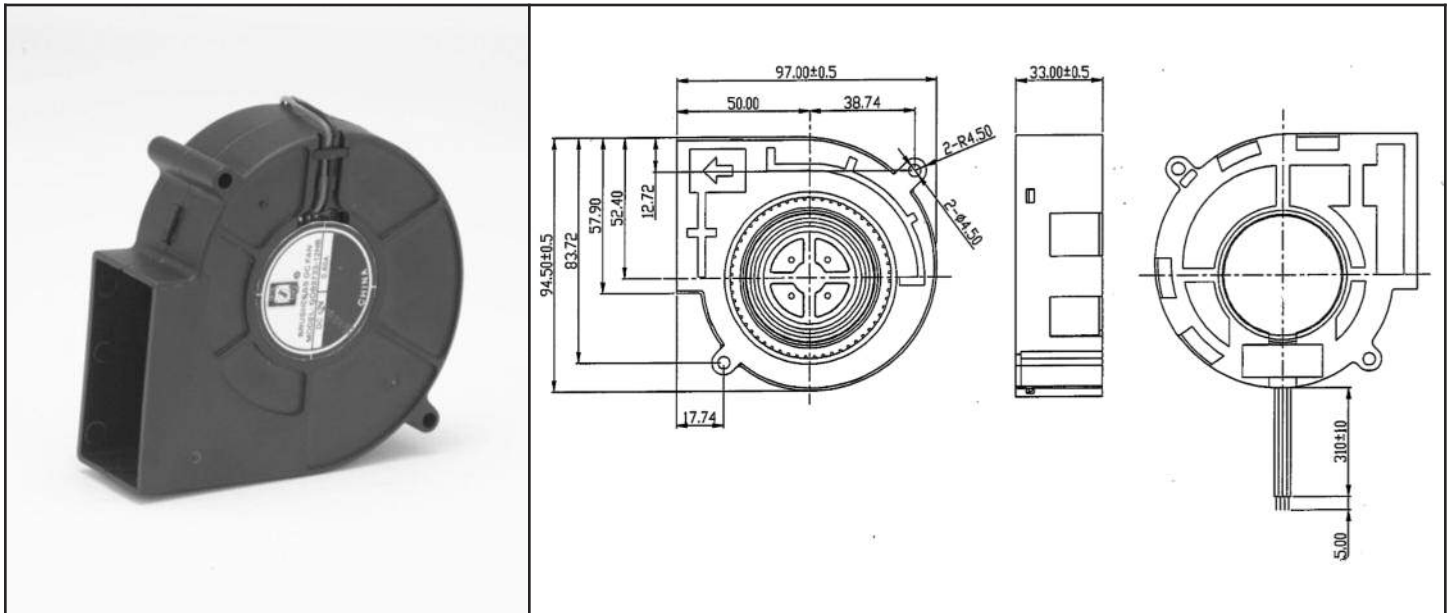
*Transistor Q1 at "ON" position
 Collector current..... I_C=5mA Max
 Saturation Voltage..... V_C = 1.0V Max
 (Between Collector and Emitter at I_C=5mA)
 *Transistor Q1 at "OFF" position
 Release Voltage..... V_{em}=15V Max



ODB9733 Series



DC Blower - Side Inlet 97 x 33mm (3.8" x 1.3")



| | | | |
|-----------------------|---|--|--|
| Frame & Impeller | PBT, UL94V-0 plastic | Available Options: Tachometer Alarm Thermal Speed Control *Connection UL1007 24AWG (~310mm) Red (+) Black (-) Life Expectancy 50,000 hours (L10 at 25C) m1 | |
| Connection | 2x Lead wires | | |
| Motor | Brushless DC, auto restart, polarity protected | | |
| Bearing System | Dual ball bearing | | |
| Insulation Resistance | 10M ohm between leadwire and frame (500VDC) | | |
| Dielectric Strength | 1 minute at 500 VAC, max leakage < 500 MicroAmp | | |
| Temperature Range | -20C ~ +75C | | |
| Storage Temperature | -40C ~ +80C | | |

| Part Number | ODB9733-12HB | ODB9733-24HB |
|----------------------|------------------------|------------------------|
| Nominal Voltage | 12 VDC | 24 VDC |
| Voltage Range | 10.8 ~ 13.2 VDC | 21.6 ~ 26.4 VDC |
| Nominal Current | 0.78 A | 0.35 A |
| Start-up Voltage | 10.8 VDC | 21.6 VDC |
| Rated Power | 9.36 W | 8.4 W |
| Rated Speed (RPM) | 4,000 | 4,000 |
| Airflow (CFM) | 33 | 33 |
| Noise Level (dB) | 56 | 56 |
| Max. Static Pressure | 1.10" H ₂ O | 1.10" H ₂ O |

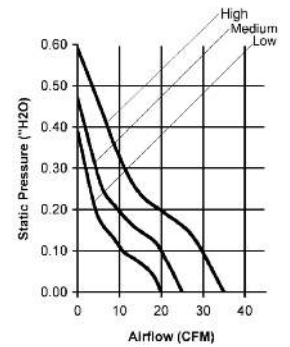
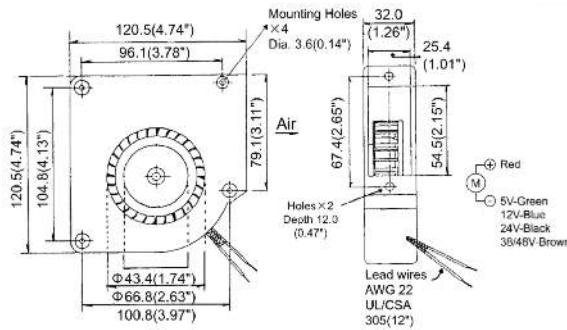
DC Blowers



DC, Side Inlet 12, 24, 48V



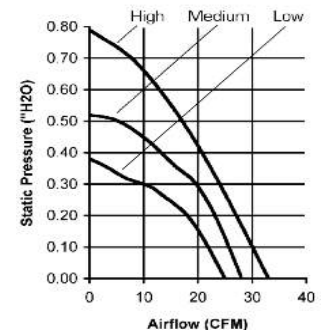
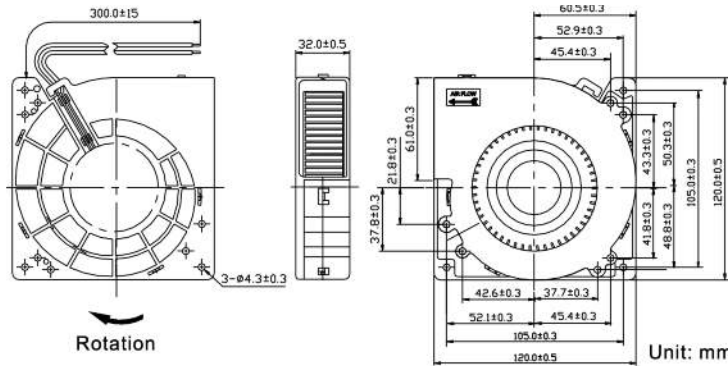
ODB600PT



| Model Number | Speed (RPM) | Airflow (CFM) | Noise (dB) | Volts DC | Voltage Range | Amps | Max. Static Pressure (\"H ₂ O) |
|---------------|-------------|---------------|------------|----------|---------------|------|---|
| ODB600PT-12HB | 3,000 | 35 | 49 | 12 | 8~14 | 0.60 | 0.59 |
| ODB600PT-12MB | 2,500 | 25 | 42 | 12 | 8~14 | 0.47 | 0.47 |
| ODB600PT-12LB | 1,800 | 20 | 30 | 12 | 8~14 | 0.20 | 0.39 |
| ODB600PT-24HB | 3,000 | 35 | 49 | 24 | 10~29 | 0.37 | 0.59 |
| ODB600PT-24MB | 2,500 | 25 | 42 | 24 | 10~29 | 0.30 | 0.47 |
| ODB600PT-24LB | 1,800 | 20 | 30 | 24 | 10~29 | 0.20 | 0.39 |



ODB1232



| Model Number | Speed (RPM) | Airflow (CFM) | Noise (dB) | Volts DC | Voltage Range | Amps | Max. Static Pressure (\"H ₂ O) |
|--------------|-------------|---------------|------------|----------|---------------|------|---|
| ODB1232-12HB | 2,600 | 33 | 55 | 12 | 6~14 | 0.79 | 0.92 |
| ODB1232-12MB | 2,300 | 28 | 49 | 12 | 6~14 | 0.53 | 0.83 |
| ODB1232-12LB | 2,100 | 25 | 48 | 12 | 6~14 | 0.41 | 0.66 |
| ODB1232-24HB | 2,600 | 33 | 55 | 24 | 12~28 | 0.43 | 0.92 |
| ODB1232-24MB | 2,300 | 28 | 49 | 24 | 12~28 | 0.36 | 0.83 |
| ODB1232-24LB | 2,100 | 25 | 48 | 24 | 12~28 | 0.25 | 0.66 |
| ODB1232-48HB | 2,600 | 33 | 55 | 48 | 24~55 | 0.22 | 0.92 |
| ODB1232-48MB | 2,300 | 28 | 49 | 48 | 24~55 | 0.18 | 0.83 |
| ODB1232-48LB | 2,100 | 25 | 48 | 48 | 24~55 | 0.16 | 0.66 |

Frame & Impeller

PBT, UL94V-0 Thermoplastic
Power Connection
Two lead wires 300mm (12")
Life Expectancy (L10)
Ball Bearing 50,000 hrs
Sleeve Bearing 30,000 hrs

Motor

Brushless DC, polarity protected, locked rotor protected (current limited), auto restart
Insulation Resistance
Min. 10M at 500VDC
Dielectric Strength
1 minute at 500VAC / 1 second,
max leakage 500 microamp

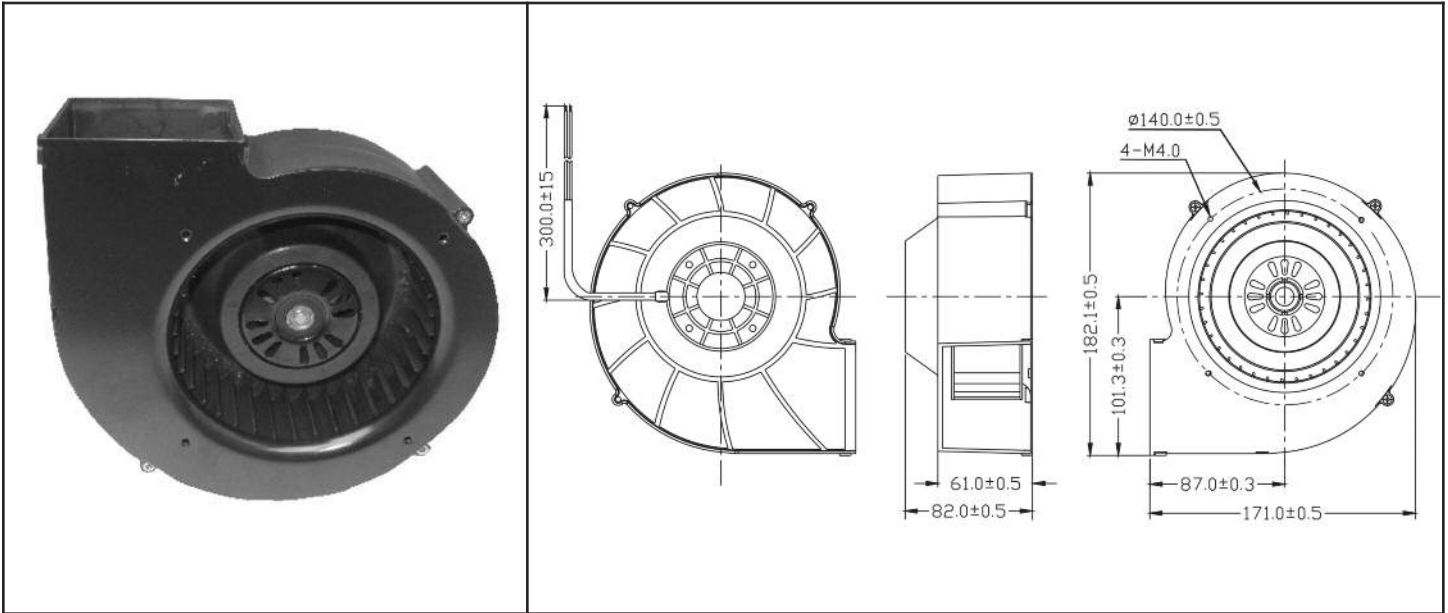
Operating Temperature

Ball Bearing
-20C ~ +80C
Sleeve Bearing
-10C ~ +50C

ODB182 Series




DC Blower - Side Inlet 182x171x82mm (7.2"x 6.7"x 3.2")



| | | | |
|-----------------------|---|--|--|
| Frame & Impeller | PBT, UL94V-0 plastic | Available Options: Tachometer Alarm Thermal Speed Control *Connection UL1007 24AWG (~310mm) Red (+) Black (-) Life Expectancy 50,000 hours (L10 at 25C) m4 | |
| Connection | 2x Lead wires * | | |
| Motor | Brushless DC, auto restart, polarity protected | | |
| Bearing System | Dual ball bearing | | |
| Insulation Resistance | 10M ohm between leadwire and frame (500VDC) | | |
| Dielectric Strength | 1 minute at 500 VAC, max leakage < 500 MicroAmp | | |
| Temperature Range | -20C ~ +75C | | |
| Storage Temperature | -40C ~ +80C | | |

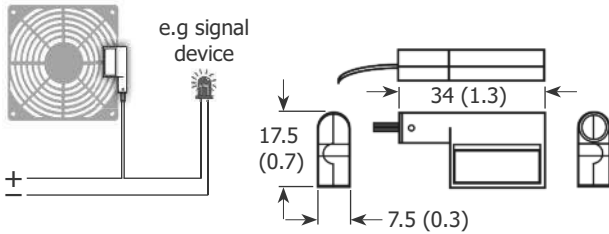
| Part Number | ODB182-24HB | ODB182-48HB |
|----------------------|-----------------------|-----------------------|
| Nominal Voltage | 24V DC | 48V DC |
| Voltage Range | 12 ~ 27V DC | 24 ~ 55V DC |
| Nominal Current | 2.2 A | 1.1 A |
| Start-up Voltage | 12V DC | 24V DC |
| Rated Speed (RPM) | 2,000 | 2,000 |
| Airflow (CFM) | 136 | 136 |
| Noise Level (dB) | 63 | 63 |
| Max. Static Pressure | 2.5" H ₂ O | 2.5" H ₂ O |





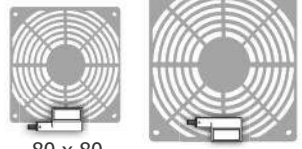
Dimensions: mm (inch)

Wiring Example



Air-flow monitor integrated in a protective grill

92 x 92 / 120 x 120
(3.62 x 3.62 / 4.72 x 4.72)



80 x 80
(3.15 x 3.15)


The air-flow monitor provides a simple alternative to indicate positive or negative air flow of fans or blowers. When properly installed and connected in series with an optical (i.e. LED) or audible signaling device, a bi-directional switch will activate an electrical contact if the air flow of the fan falls below 8.2 ft/s, turning the signaling device on or off. The AFM monitor can also be attached to an existing grill or guard.

Specifications

- Contact Type:** Reed/magnet contact
- NC (Normally Closed):** Contact open with air flow
- NO (Normally Open):** Contact closed with air flow
- Switching Threshold of Air Flow Speed:**
>8.2 ft/s (2.5 m/s)
- Hysteresis:** 3.3 ft/s (1m/s) - fixed
- Contact Resistance Incl. Wire:** 370m (1214")
- Service Life:** >100,000 cycles
- Maximum Switching Capacity:**
10W (resistive load)
- Maximum Switching Voltage:** NC - AC/DC 240V
NO - DC 60V
- Maximum Switching Current:** NC - DC 500mA
NO - DC 170mA

- Connection:** 2 x single strand AWG26, length 500mm (20"), tip of stranded wire stripped/tinned 5mm (0/20")
- Mounting:** Attachment clamp and/or clip, or integrated in protective grill
- Mounting Position:** Air-flow monitor opening perpendicular to air flow
- Operating Temperature:** -20 to 50°C (-4 to 122°F)
- Storage Temperature:** -20 to 80°C (-4 to 176°F)
- Housing:** Plastic, UL 94HB, black
- Dimensions:** 34 x 17.5 x 7.5mm (1.3 x 0.7 x 0.3")
- Protection Type:** NEMA 1 (IP 20)
- Agency Approvals:** CE
- RoHS Compliant**

| Model Number | Description | Weight |
|--------------|--|---------------|
| AFM-01NC | Air-flow switch, NC with mounting clip and clamp (for attaching to existing fan assembly) | 6 g (0.2 oz) |
| AFM-01NO | Air-flow monitor, NO with mounting clip and clamp (for attaching to existing fan assembly) | 6 g (0.2 oz) |
| AFM-80NC | Air-flow monitor, NC with 80 x 80mm (3.15") plastic finger guard | 20 g (0.7 oz) |
| AFM-80NO | Air-flow monitor, NO with 80 x 80mm (3.15") plastic finger guard | 20 g (0.7 oz) |
| AFM-92NC | Air-flow monitor, NC with 92 x 92mm (3.62") plastic finger guard | 20 g (0.7 oz) |
| AFM-92NO | Air-flow monitor, NO with 92 x 92mm (3.62") plastic finger guard | 20 g (0.7 oz) |
| AFM-120NC | Air-flow monitor, NC with 120 x 120mm (4.27") plastic finger guard | 31 g (1.1 oz) |
| AFM-120NO | Air-flow monitor, NO with 120 x 120mm (4.27") plastic finger guard | 31 g (1.1 oz) |

| | | |
|-----------------------|--|---|
| <p>AFM-KIT</p> | <p>Kit includes air-flow switch (AFM-01NC), clip, three plastic guards (80, 92 and 120mm), LED and holder, buzzer, switch and wallmount power supply. Delivered with a complete 10-foot wire assembly.</p> |  |
|-----------------------|--|---|

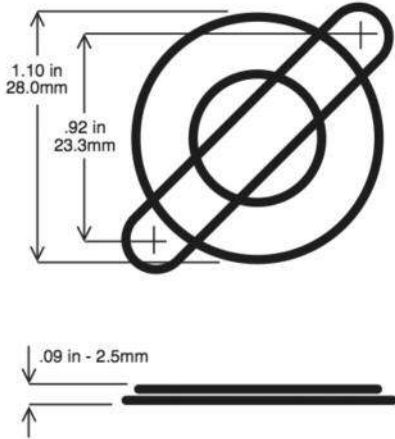


Fan Guards

25mm - 50mm (1" - 2")

25mm (1.0")

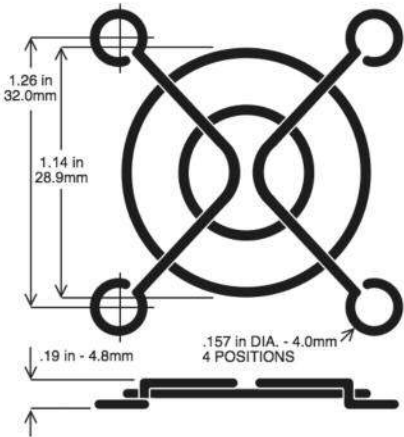
Matching Fan Series:
OD2510



| | |
|-------------------|--|
| Part No.: | G25-2 |
| Material: | C1008 Steel |
| Wire Dia (Ring): | 1.4mm |
| Wire Dia (Rib): | 1.4mm |
| Ring Spacing: | Meets 6.35mm plug gauge test |
| Separation Force: | 220 lbs. on welds |
| Fits: | 25mm (1") fans |
| Plating: | Bright Nickel Chrome |
| Options: | Additional plating materials are available by special order. |

40mm (1.57")

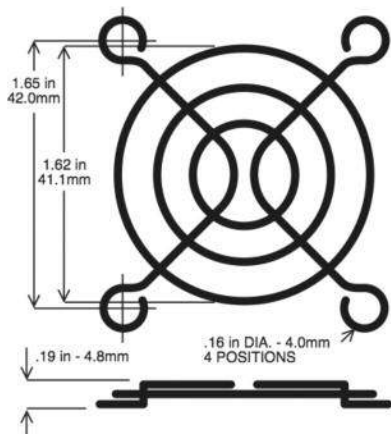
Matching Fan Series:
OD4010,
OD4020,
OD4028



| | |
|-------------------|--|
| Part No.: | G40-2 |
| Material: | C1008 Steel |
| Wire Dia (Ring): | 1.6mm |
| Wire Dia (Rib): | 1.6mm |
| Ring Spacing: | Meets 6.35mm plug gauge test |
| Separation Force: | 220 lbs. on welds |
| Fits: | 40mm (1.57") fans |
| Plating: | Bright Nickel Chrome |
| Options: | Additional plating materials are available by special order. |

52mm (2.05")

Matching Fan Series:
OD5210
OD5010



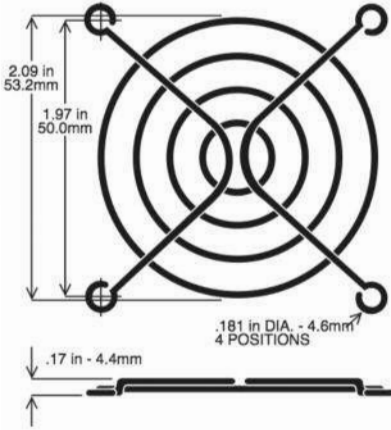
| | |
|-------------------|--|
| Part No.: | G50-3 |
| Material: | C1008 Steel |
| Wire Dia (Ring): | 1.6mm |
| Wire Dia (Rib): | 1.6mm |
| Ring Spacing: | Meets 6.35mm plug gauge test |
| Separation Force: | 220 lbs. on welds |
| Fits: | 52mm (2.05") fans |
| Plating: | Bright Nickel Chrome |
| Options: | Additional plating materials are available by special order. |

Fan Guards



60mm - 92mm (2.32" - 3.62")

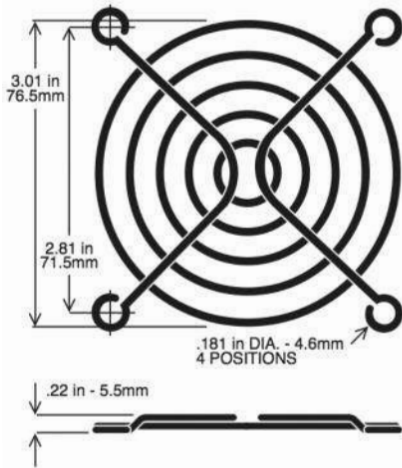
60mm (2.36")



Matching Fan Series:
OD6010,
OD6015,
OD6020,
OD6025,
OA60

| | |
|-------------------|--|
| Part No.: | G60-4 |
| Material: | C1008 Steel |
| Wire Dia (Ring): | 1.6mm |
| Wire Dia (Rib): | 1.6mm |
| Ring Spacing: | Meets 6.35mm plug gauge test |
| Separation Force: | 220 lbs. on welds |
| Fits: | 60mm (2.36") fans |
| Plating: | Bright Nickel Chrome |
| Options: | Additional plating materials are available by special order. |

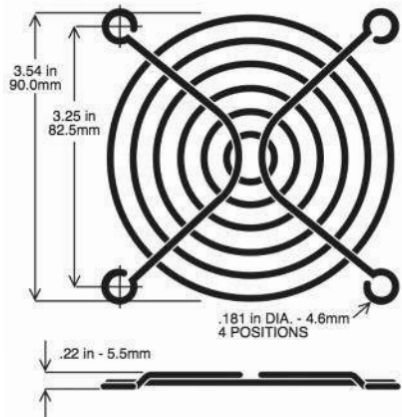
80mm (3.15")



Matching Fan Series:
OD8015,
OD8020,
OD8025,
OD8038,
OA825, OA80

| | |
|-------------------|--|
| Part No.: | G80-18 and G80-18B [Black finish] |
| Material: | C1008 Steel |
| Wire Dia (Ring): | 1.8mm |
| Wire Dia (Rib): | 1.8mm |
| Ring Spacing: | Meets 6.35mm plug gauge test |
| Separation Force: | 220 lbs. on welds |
| Fits: | 80mm (3.15") fans |
| Plating: | Bright Nickel Chrome or Black |
| Options: | Additional plating materials are available by special order. |

92mm (3.62")



Matching Fan Series:
OD9220,
OD9225,
OA92, OA938

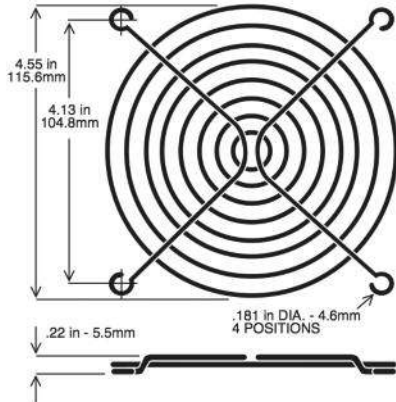
| | |
|-------------------|--|
| Part No.: | G92-16 and G92-16B [Black finish] |
| Material: | C1008 Steel |
| Wire Dia (Ring): | 1.6mm |
| Wire Dia (Rib): | 1.6mm |
| Ring Spacing: | Meets 6.35mm plug gauge test |
| Separation Force: | 220 lbs. on welds |
| Fits: | 92mm (3.65") fans |
| Plating: | Bright Nickel Chrome or Black |
| Options: | Additional plating materials are available by special order. |



Fan Guards

120mm (4.7")

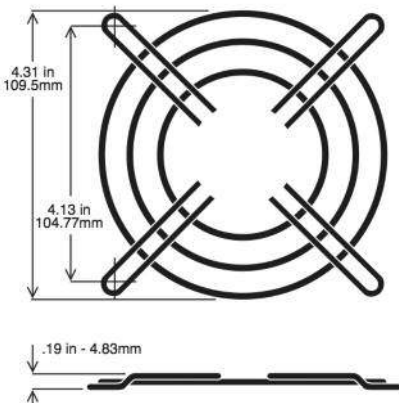
120mm (4.7")



Matching Fan Series:
OD1225,
OD1238,
OA125,
OA109,
OA4715

| | |
|-------------------|--|
| Part No.: | G109-15A and G109-15AB [Black finish] |
| Material: | C1008 Steel |
| Wire Dia (Ring): | 1.8mm |
| Wire Dia (Rib): | 1.8mm |
| Ring Spacing: | Meets 6.35mm plug gauge test |
| Separation Force: | 220 lbs. on welds |
| Fits: | 120mm (4.7") fans |
| Plating: | Bright Nickel Chrome or Black anodized |
| Options: | Additional plating materials are available by special order. |

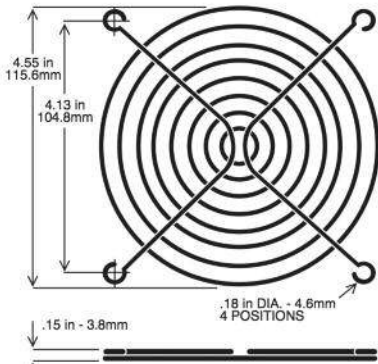
120mm (4.7")



Matching Fan Series:
OD1225,
OD1238,
OA125,
OA109,
OA4715

| | |
|-------------------|--|
| Part No.: | G109-3A |
| Material: | C1008 Steel |
| Wire Dia (Ring): | 1.6mm |
| Wire Dia (Rib): | 1.6mm |
| Ring Spacing: | Meets 6.35mm plug gauge test |
| Separation Force: | 220 lbs. on welds |
| Fits: | 120mm (4.7") fans |
| Plating: | Bright Nickel Chrome |
| Options: | Additional plating materials are available by special order. |

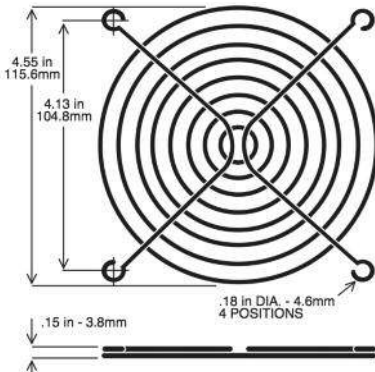
120mm (4.7")



Matching Fan Series:
OD1225,
OD1238,
OA125,
OA109,
OA4715

| | |
|-------------------|--|
| Part No.: | G109-15B |
| Material: | C1008 Steel |
| Wire Dia (Ring): | 1.8mm |
| Wire Dia (Rib): | 1.8mm |
| Ring Spacing: | Meets 6.35mm plug gauge test |
| Separation Force: | 220 lbs. on welds |
| Fits: | 120mm (4.7") fans |
| Plating: | Bright Nickel Chrome |
| Options: | Additional plating materials are available by special order. |

120mm (4.7")



Matching Fan Series:
OD1225,
OD1238,
OA125,
OA109,
OA4715

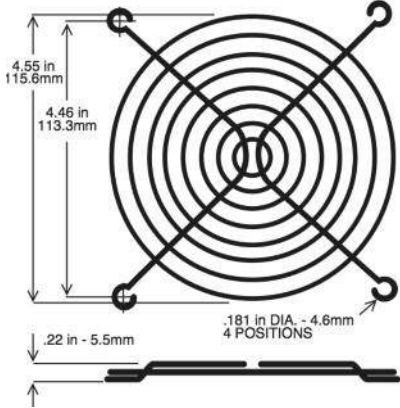
| | |
|-------------------|--|
| Part No.: | G109-15B-1 |
| Material: | C1008 Steel |
| Wire Dia (Ring): | 1.8mm |
| Wire Dia (Rib): | 2.3mm |
| Ring Spacing: | Meets 6.35mm plug gauge test |
| Separation Force: | 220 lbs. on welds |
| Fits: | 120mm (4.7") fans |
| Plating: | Black |
| Options: | Additional plating materials are available by special order. |



127mm - 172mm (5" - 6.7")

Fan Guards

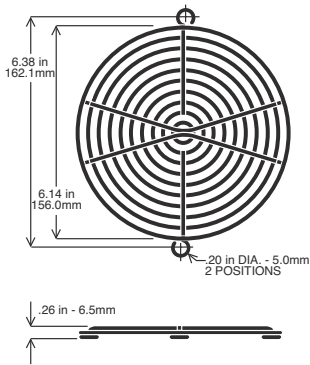
127mm (5.0")



Matching Fan Series:
OD127,
OA119

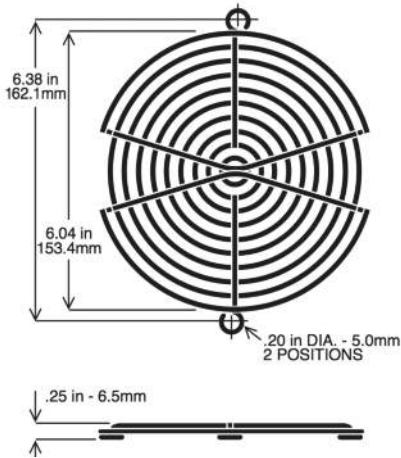
| | |
|-------------------|--|
| Part No.: | G119-8 |
| Material: | C1008 Steel |
| Wire Dia (Ring): | 1.8mm |
| Wire Dia (Rib): | 2.3mm |
| Ring Spacing: | Meets 6.35mm plug gauge test |
| Separation Force: | 220 lbs. on welds |
| Fits: | 127mm (5") fans |
| Plating: | Bright Nickel Chrome |
| Options: | Additional plating materials are available by special order. |

172mm (6.7")



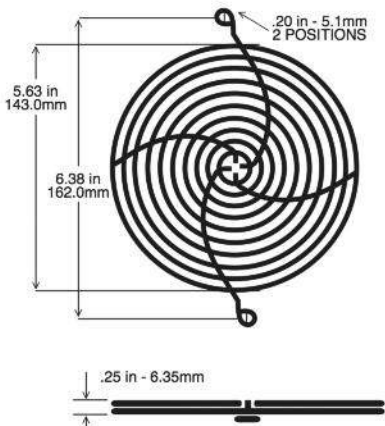
Matching Fan Series:
OD172,
OA162S
OA172,
OA5920

| | |
|-------------------|--|
| Part No.: | G172-10HA and G172-10HAB [Black] |
| Material: | C1008 Steel |
| Wire Dia (Ring): | 1.8mm |
| Wire Dia (Rib): | 2.3mm |
| Ring Spacing: | Meets 6.35mm plug gauge test |
| Separation Force: | 220 lbs. on welds |
| Fits: | 162 and 172mm fans |
| Plating: | Bright Nickel Chrome or Black |
| Options: | Additional plating materials are available by special order. |



Matching Fan Series:
OD172,
OA162-5E
OA172S,
OA5920

| | |
|-------------------|--|
| Part No.: | G172-10H and G172-10HB [Black] |
| Material: | C1008 Steel |
| Wire Dia (Ring): | 1.8mm |
| Wire Dia (Rib): | 2.3mm |
| Ring Spacing: | Meets 6.35mm plug gauge test |
| Separation Force: | 220 lbs. on welds |
| Fits: | 162 and 172mm fans |
| Plating: | Bright Nickel Chrome or Black |
| Options: | Additional plating materials are available by special order. |



Matching Fan Series:
OD172,
OA162-5E
OA172S,
OA5920

Aerodynamic design helps to reduce fan noise.

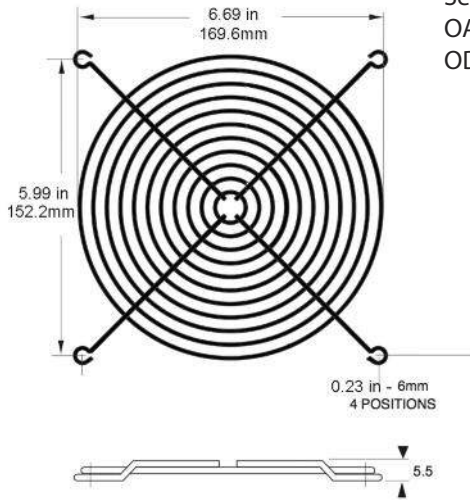
| | |
|-------------------|--|
| Part No.: | G172-10LN |
| Material: | C1008 Steel |
| Wire Dia (Ring): | 1.6mm |
| Wire Dia (Rib): | 2.0mm |
| Ring Spacing: | Meets 6.35mm plug gauge test |
| Separation Force: | 220 lbs. on welds |
| Fits: | 162 and 172mm fans |
| Plating: | Bright Nickel Chrome |
| Options: | Additional plating materials are available by special order. |



Fan Guards

180mm - 254mm (7" - 10")

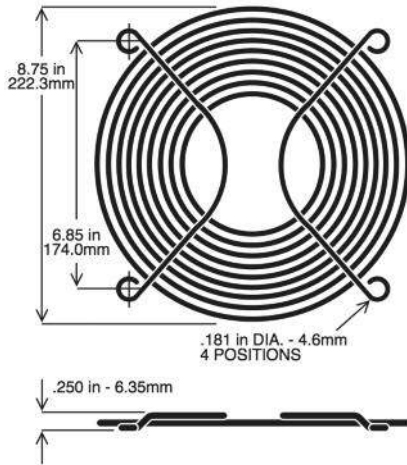
180mm (7")



Matching Fan Series:
OA180,
OD180

| | |
|-------------------|--|
| Part No.: | G180-11 |
| Material: | C1008 Steel |
| Wire Dia (Ring): | 1.8mm |
| Wire Dia (Rib): | 2.3mm |
| Ring Spacing: | Meets 6.35mm plug gauge test |
| Separation Force: | 220 lbs. on welds |
| Fits: | 180mm fans |
| Plating: | Bright Nickel Chrome |
| Options: | Additional plating materials are available by special order. |

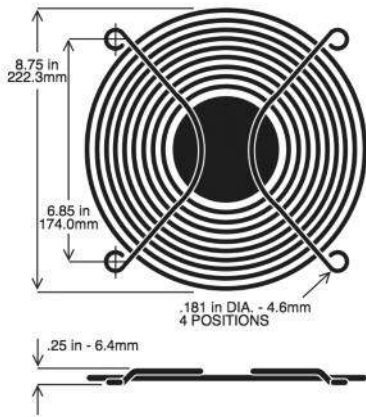
254mm (10.0")



Matching Fan Series:
OA254,
OD254

| | |
|-------------------|--|
| Part No.: | G254-10 |
| Material: | C1008 Steel |
| Wire Dia (Ring): | 2.3mm |
| Wire Dia (Rib): | 2.3mm |
| Ring Spacing: | Meets 6.35mm plug gauge test |
| Separation Force: | 220 lbs. on welds |
| Fits: | 254mm fans |
| Plating: | Bright Nickel Chrome |
| Options: | Additional plating materials are available by special order. |

254mm (10.0")



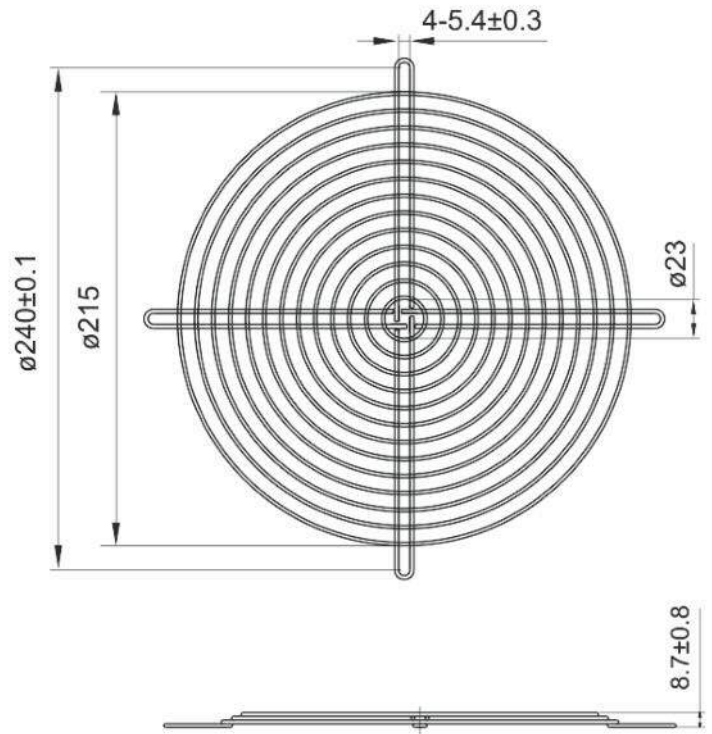
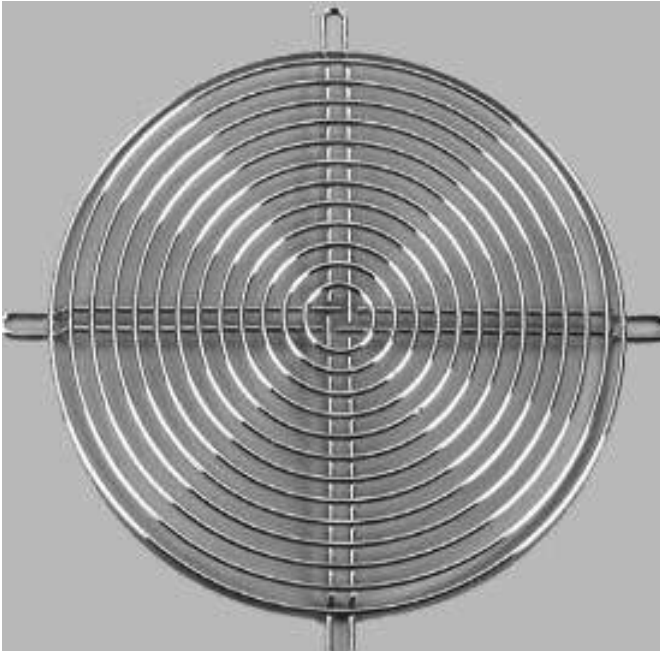
Matching Fan Series:
OA254,
OD254

| | |
|-------------------|--|
| Part No.: | G254-10P |
| Material: | C1008 Steel |
| Wire Dia (Ring): | 2.3mm |
| Wire Dia (Rib): | 2.3mm |
| Ring Spacing: | Meets 6.35mm plug gauge test |
| Separation Force: | 220 lbs. on welds |
| Fits: | 254mm fans |
| Plating: | Bright Nickel Chrome |
| Options: | Additional plating materials are available by special order. |

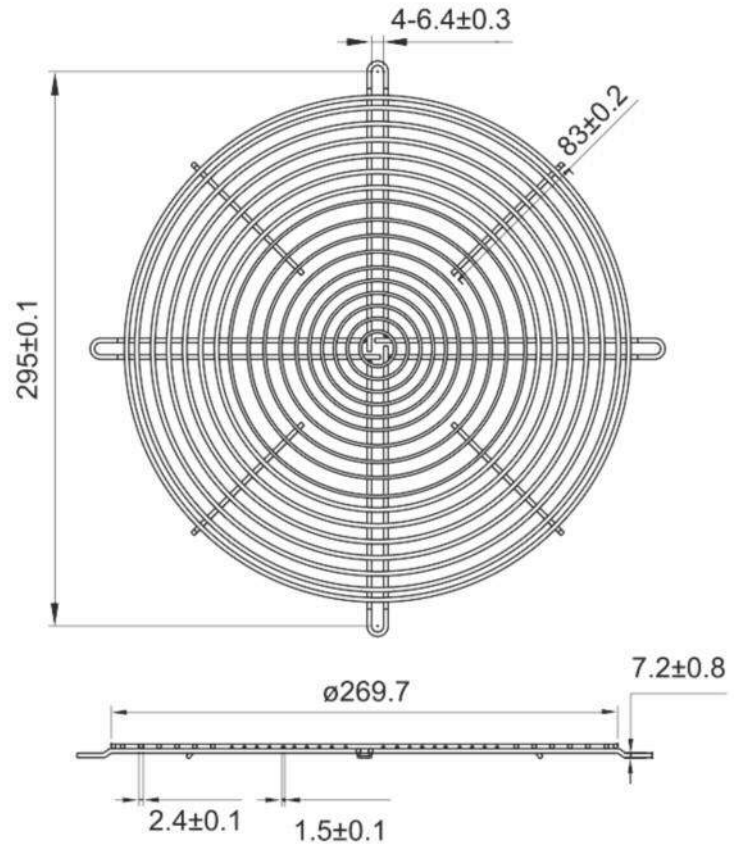
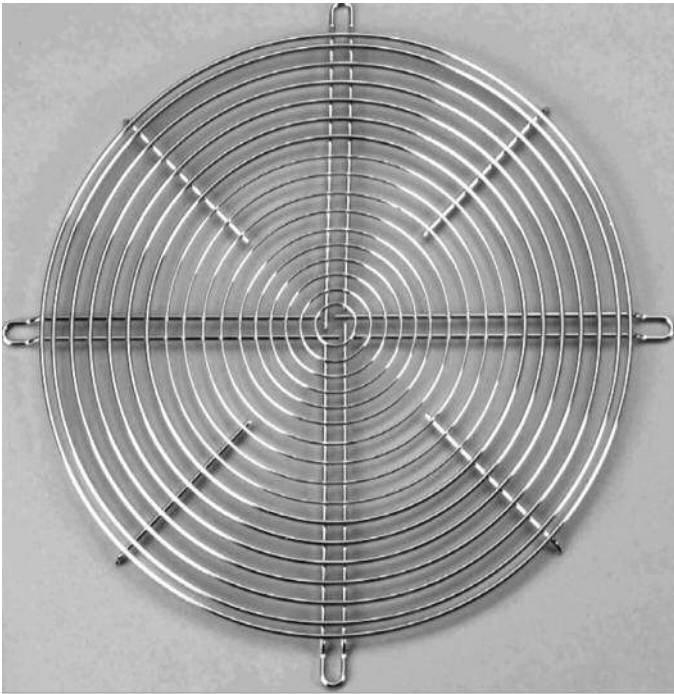
Fan Guards



225mm



| | |
|--------------------|-------------------------------------|
| Part No.: | G225, Fan Guard for 225mm fan |
| Part No.: | G225/PK, 10 Pack G225 guards, boxed |
| Material: | Steel Wire |
| Ring Spacing: | Meets 6.35mm plug gauge test |
| Separation Force: | 88 lbs. on welds |
| Fits: | 225mm fans |
| Plating: | Bright Nickel Chrome |
| General Tolerance: | Unless noted +/- 0.5mm |



Notes:

1. Material: Steel Wire
2. Finish: Bright Nickel Chrome
3. Welds to withstand 88 lbs. pull force
4. General tolerance unless noted +/-0.5mm
5. Part meets 6.35mm plug gauge test

| Part Number | Description |
|-------------|----------------------------------|
| G280 | Fan Guard, Chrome, for 280mm fan |
| G280/PK | 10-Pack G280 guards, Boxed |

Wire Mesh Guards



Aluminum Fan Filters

Aluminum/Stainless filters offer high levels of air passage while efficiently filtering contaminants and shielding EMI/RFI.

Tightly woven stainless corrugated mesh screen
(30x30, 3/16" Pitch, 1/8" Deep)

Filters may be mounted directly onto the fan or to any other housing.

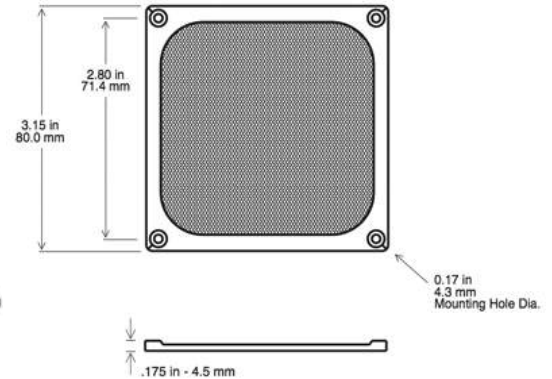
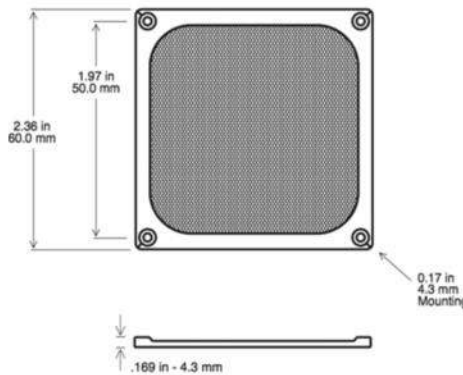
Finishes:
Mill - Natural Aluminum
(suffix "M")

Black Anodized
(suffix "B")

| Part Number | Fan Size | Matching Fan Series |
|--------------------|-----------------|---|
| WMG60M WMG60B | 60mm (2.36") | OD6010, OD6015, OD6020, OD6025, OA60 |
| WMG80M WMG80B | 80mm (3.15") | OD8015, OD8020, OD8025, OA825, OA80 |
| WMG92M WMG92B | 92mm (3.62") | OD9220, OD9225, OA92, OA938 |
| WMG120M WMG120B | 120mm (4.7") | OD1225, OD1238, OA125, OA109, OA4715 |
| WMG172M WMG172B | 172mm (6.7") | OD172, OA162, OA172, OA5920 |

WMG60M
WMG60B

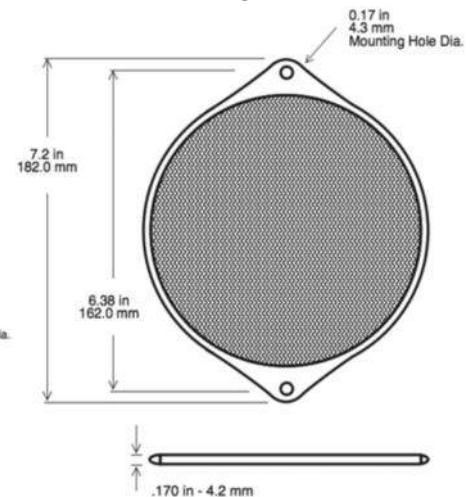
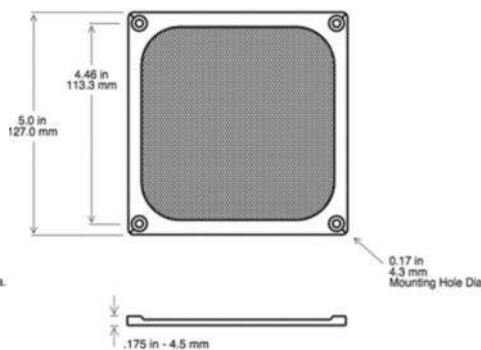
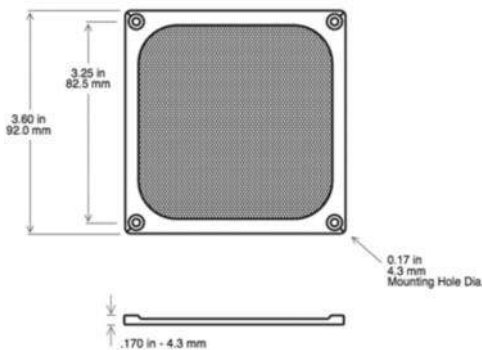
WMG80M
WMG80B



WMG92M
WMG92B

WMG120M
WMG120B

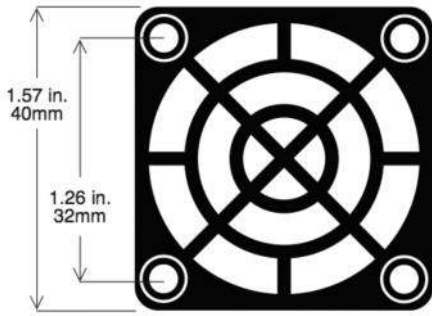
WMG172M
WMG172B



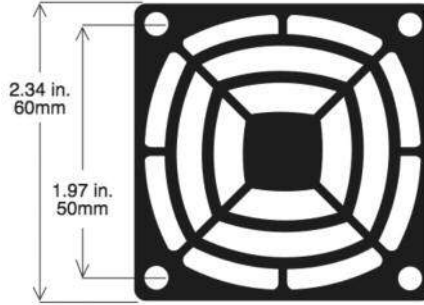


Fan Guards

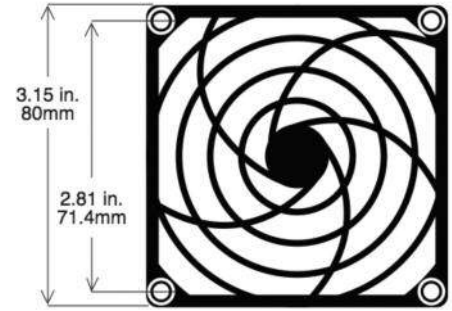
Plastic - UL94V-0



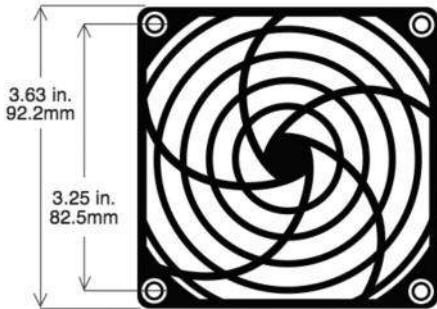
G40P



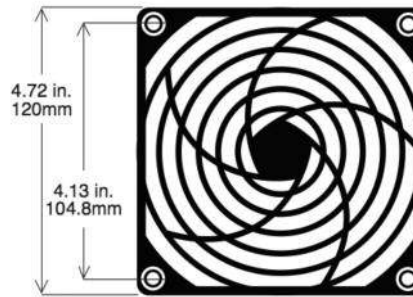
G60P



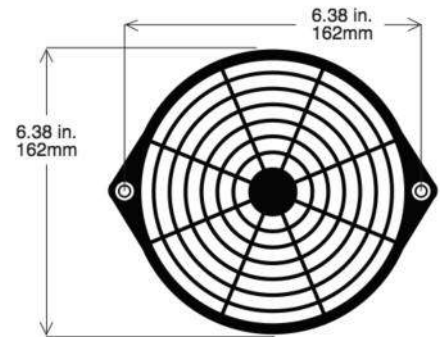
G80P



G92P



G120P



G172P



| Part Number | Fan Size | Matching Fan Series |
|------------------|--------------|--------------------------------------|
| G40P | 40mm (1.57") | OD4010, OD4020, OD4028 |
| G60P | 60mm (2.36") | OD6010, OD6015, OD6020, OD6025, OA60 |
| G80P | 80mm (3.15") | OD8015, OD8020, OD8025, OA825, OA80 |
| G92P | 92mm (3.62") | OD9220, OD9225, OA92, OA938 |
| G120P G120POG | 120mm (4.7") | OD1225, OD1238, OA125, OA109, OA4715 |
| G172P | 172mm (6.7") | OD172, OA162, OA172 |

Aerodynamic design helps to reduce fan noise

Push-On Fan Guards



Plastic - UL94V-0

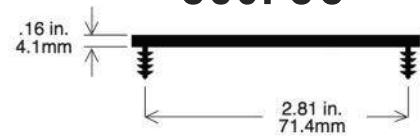
Material:
UL94V-0 plastic

Color:
Black is standard however custom colors are available

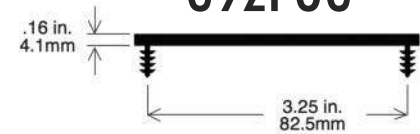
No hardware required for installation



G80POG

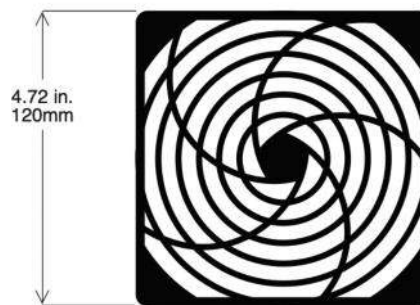


G92POG

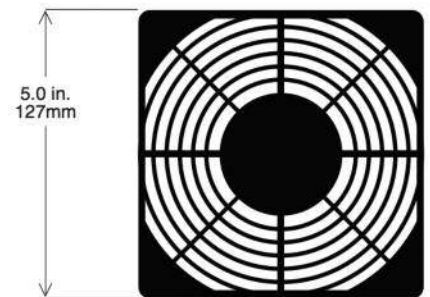
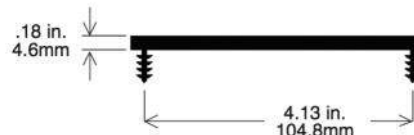


| Part Number | Fan Size | Matching Fan Series |
|-------------|--------------|--------------------------------------|
| G80POG | 80mm (3.15") | OD8015, OD8020, OD8025, OA825, OA80 |
| G92POG | 92mm (3.62") | OD9220, OD9225, OA92, OA938 |
| G120POG | 120mm (4.7") | OD1225, OD1238, OA125, OA109, OA4715 |
| G127POG | 127mm (5.0") | OD172, OA162, OA172 |

**Meets UL/cUL
6.35mm (0.25")
ring spacing re-
quirement**



G120POG



G127POG

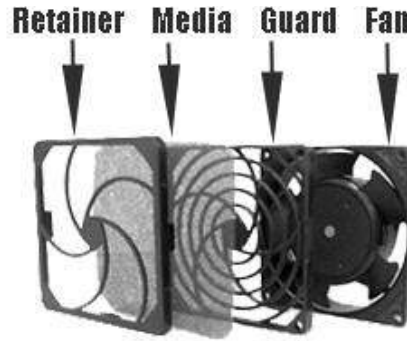


Fan Filter Assemblies



Plastic - UL94V-0

Each filter kit is comprised of a guard which attaches to the fan, a plastic retainer which snaps into the guard and a sheet of filter media in either 30ppi (pores per inch) or 45ppi.



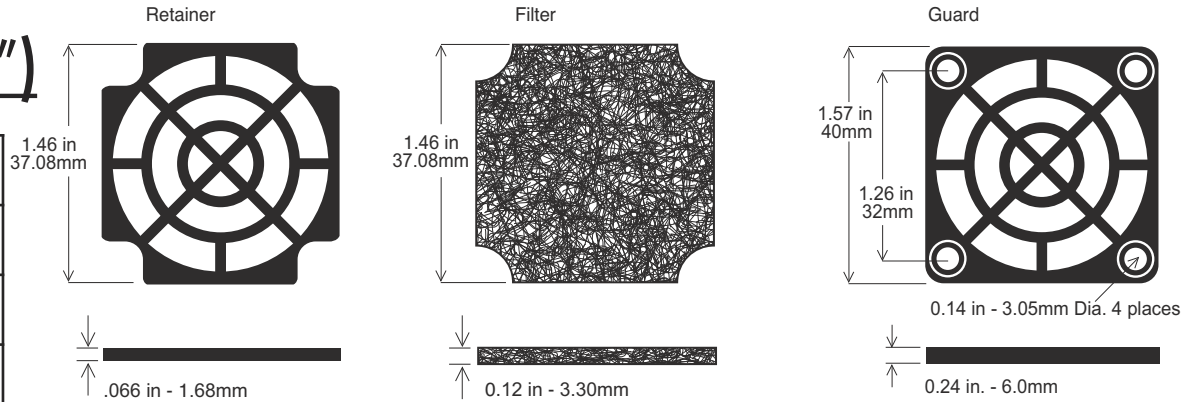
Guards and retainers are high impact plastic. All meet UL94V-0 flammability requirements.

Foam filter meets UL94HF1 smoke generation requirements.

Meets UL/cUL 6.35mm ring spacing requirement.

40mm (1.57")

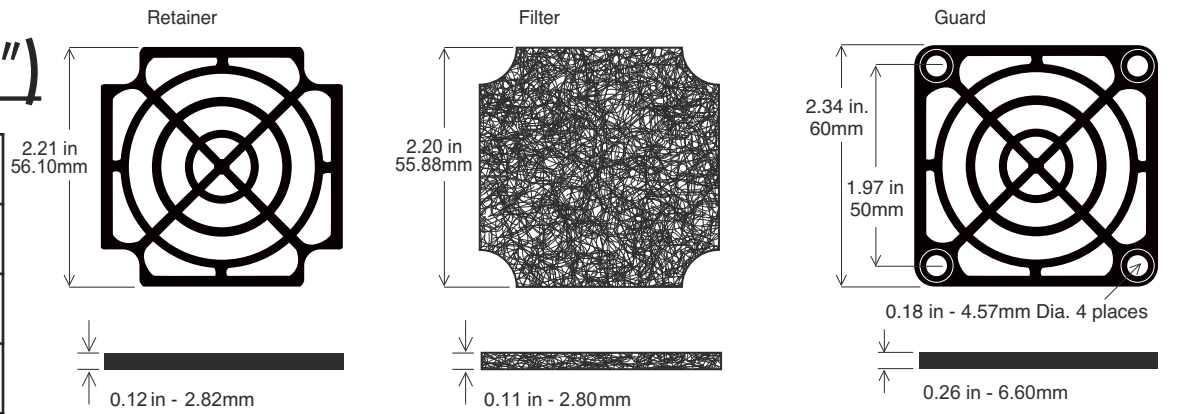
| | |
|--------------------|----------------------|
| Assembly Part Nos. | GRM40-30 GRM40-45 |
| Guard Part No. | G40P |
| Retainer Part No. | R40P |
| Media Part Nos. | M40-30 or M40-45 |



Matching Fan Series: OD4010, OD4020, OD4028

60mm (2.36")

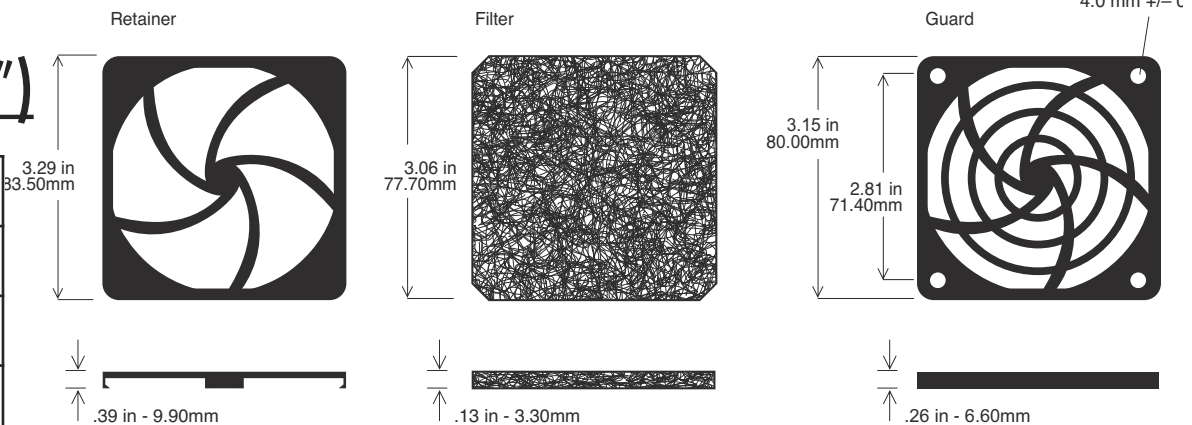
| | |
|--------------------|----------------------|
| Assembly Part Nos. | GRM60-30 GRM60-45 |
| Guard Part No. | G60P |
| Retainer Part No. | R60P |
| Media Part Nos. | M60-30 or M60-45 |



Matching Fan Series: OD6010, OD6015, OD6020, OD6025, OA60

80mm (3.15")

| | |
|--------------------|----------------------|
| Assembly Part Nos. | GRM80-30 GRM80-45 |
| Guard Part No. | G80P |
| Retainer Part No. | R80P |
| Media Part Nos. | M80-30 or M80-45 |



Matching Fan Series: OD8015, OD8020, OD8025, OD8038, OA825, OA80



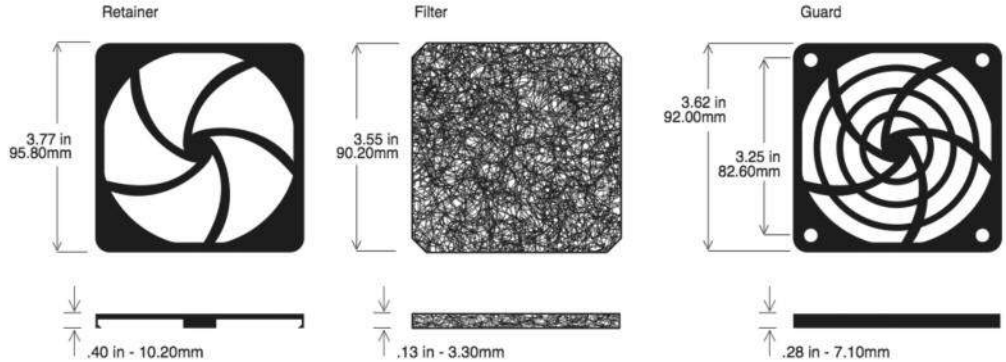
High Impact UL94V-0 plastic Frame

Aerodynamic design helps to reduce fan noise

Meets UL/cUL 6.35mm (0.25") ring spacing requirement

92mm (3.62")

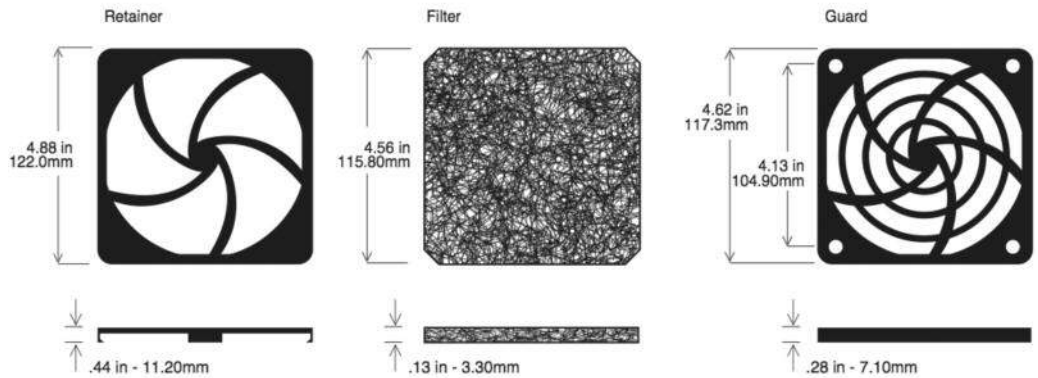
| | |
|--------------------|----------------------|
| Assembly Part Nos. | GRM92-30 GRM92-45 |
| Guard Part No. | G92P |
| Retainer Part No. | R92P |
| Media Part Nos. | M92-30 or M92-45 |



Matching Fan Series: OD9220, OD9225, OA92, OA938

120mm (4.7")

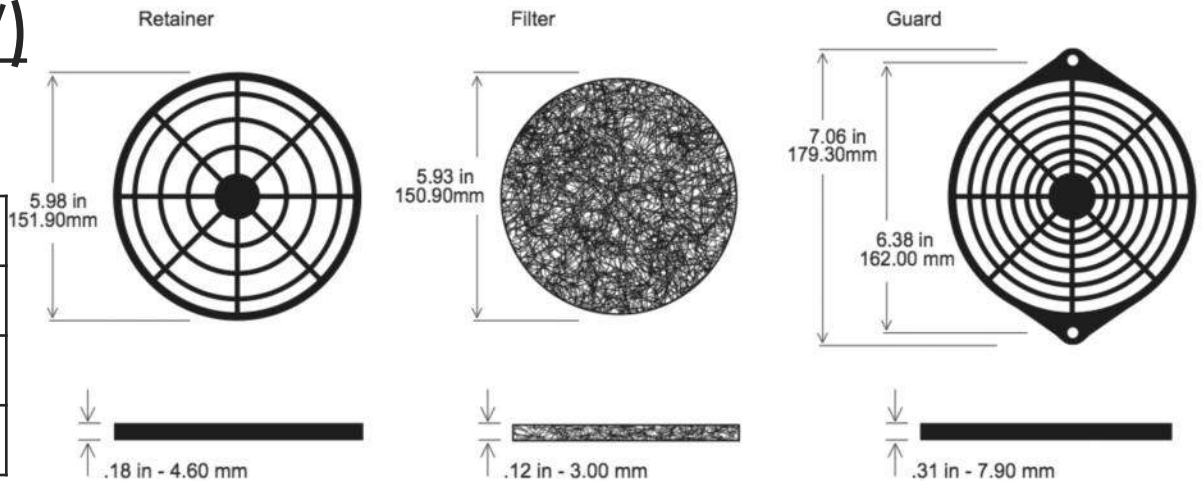
| | |
|--------------------|------------------------|
| Assembly Part Nos. | GRM120-30 GRM120-45 |
| Guard Part No. | G120P |
| Retainer Part No. | R120P |
| Media Part Nos. | M120-30 or M120-45 |



Matching Fan Series: OD1225, OD1238, OA125, OA109, OA4715

172mm (6.7")

| | |
|--------------------|------------------------|
| Assembly Part Nos. | GRM172-30 GRM172-45 |
| Guard Part No. | G172P |
| Retainer Part No. | R172P |
| Media Part Nos. | M172-30 or M172-45 |

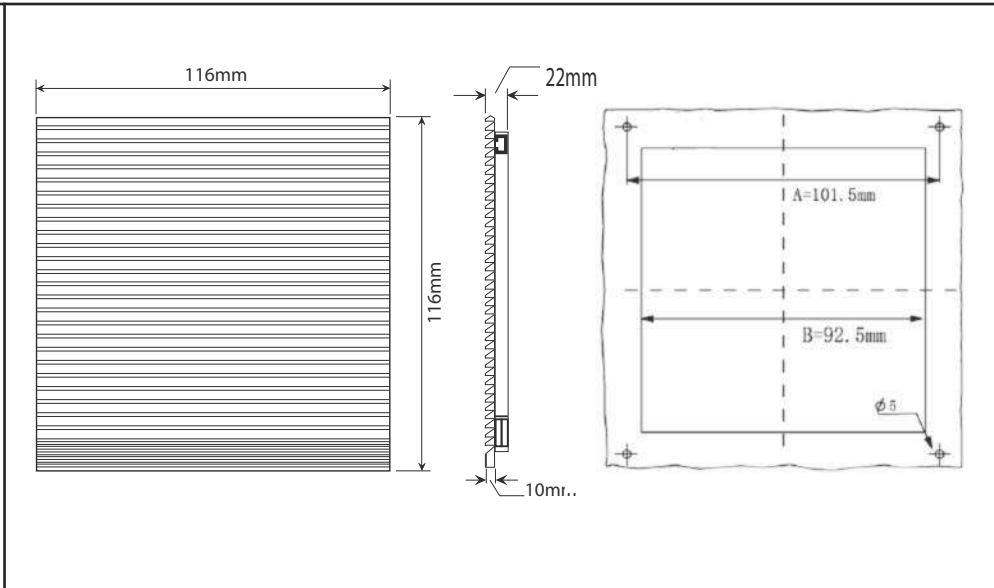
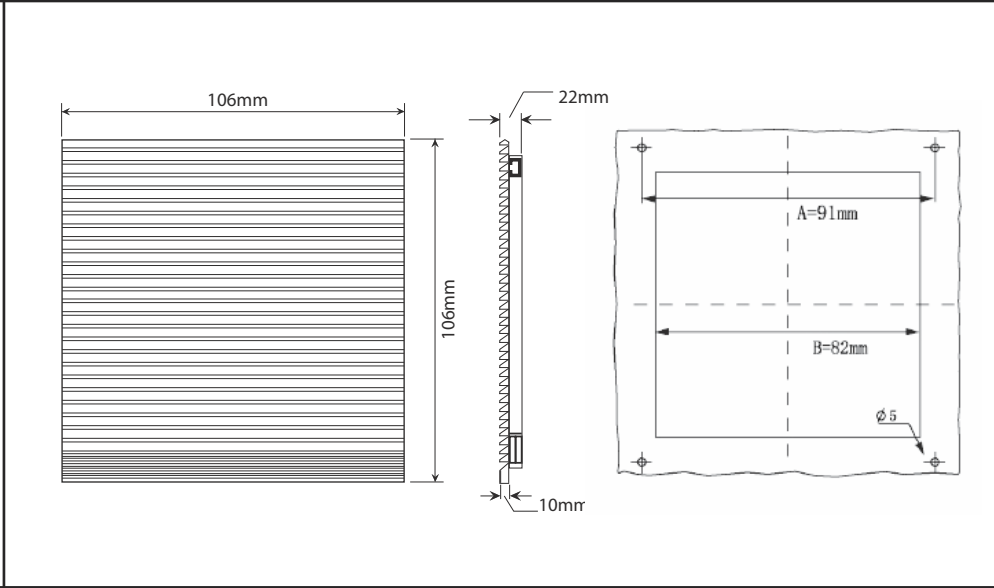
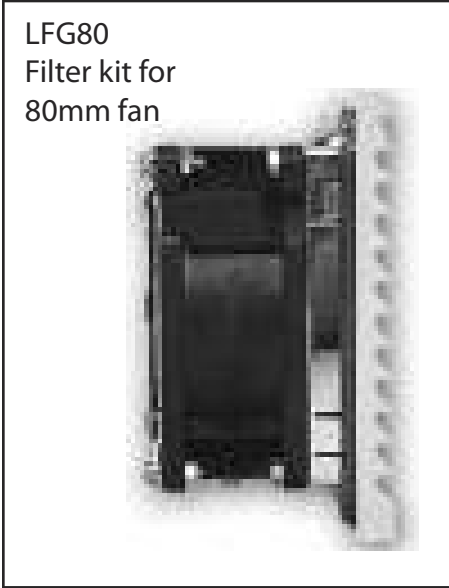


Matching Fan Series: OD172, OA162, OA172

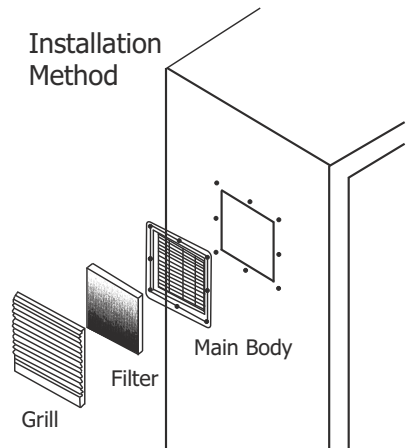
Louvered Fan Guards



Filter Kits for 80mm (3.15") & 92mm (3.62") Fans



| Part Number | LFG80 | LFG92 |
|----------------------|--|-------|
| Frame Description | ABS Resin - flame resistant UL94V-0, Vents with screens at 45-degree angle. High foam sealing edge protection grade IP44-IP54 on LFG92 only. | |
| Filter Mesh Material | Nylon Fiber - Synthetic Resin, filters to 8 microns. | |
| Color | Gray is standard. Black is available on request. To specify black add "B" to part number. Minimums may apply. | |

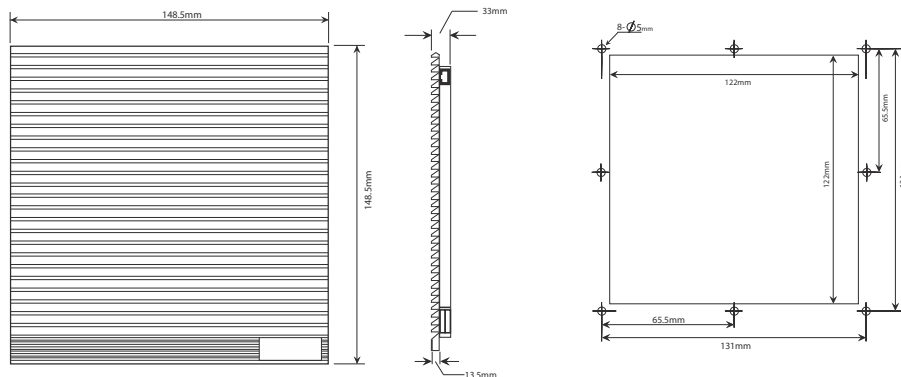


Louvered Fan Guards

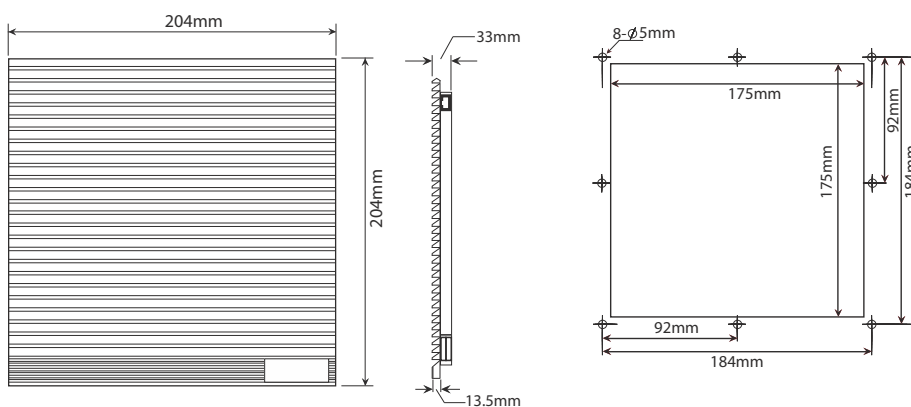
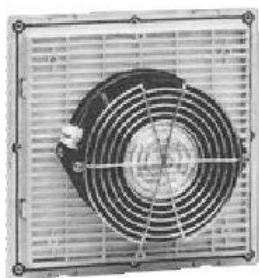


120mm - 254mm (4.7" - 10")

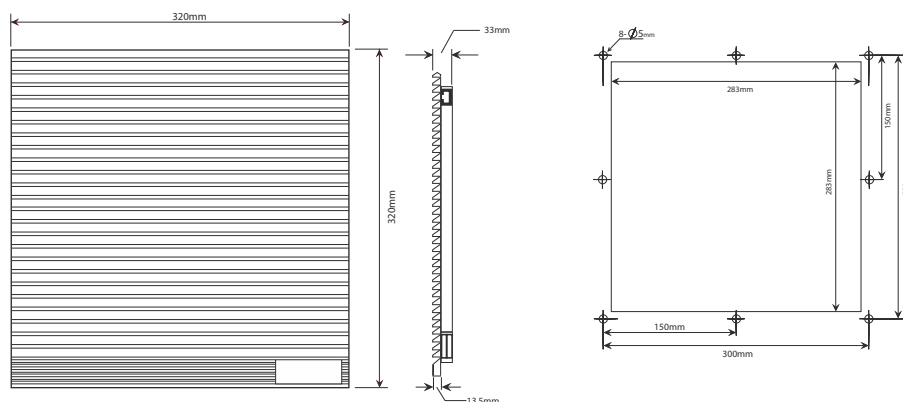
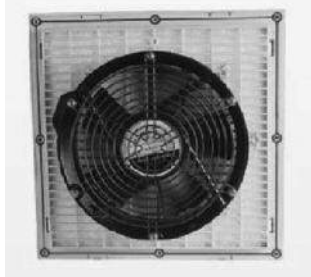
LFG120B
Filter kit for
120mm fan



LFG172B
Filter kit for
172mm fan



LFG254B
Filter kit for
254mm fan

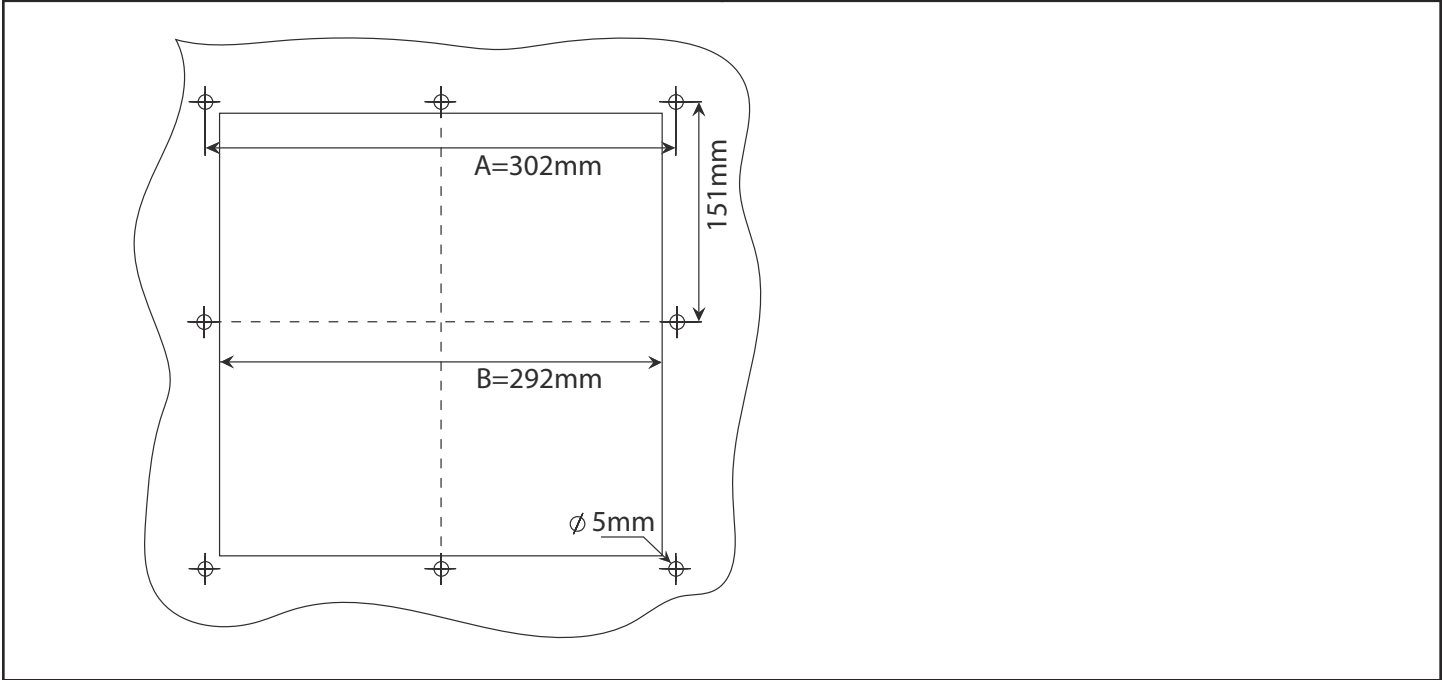
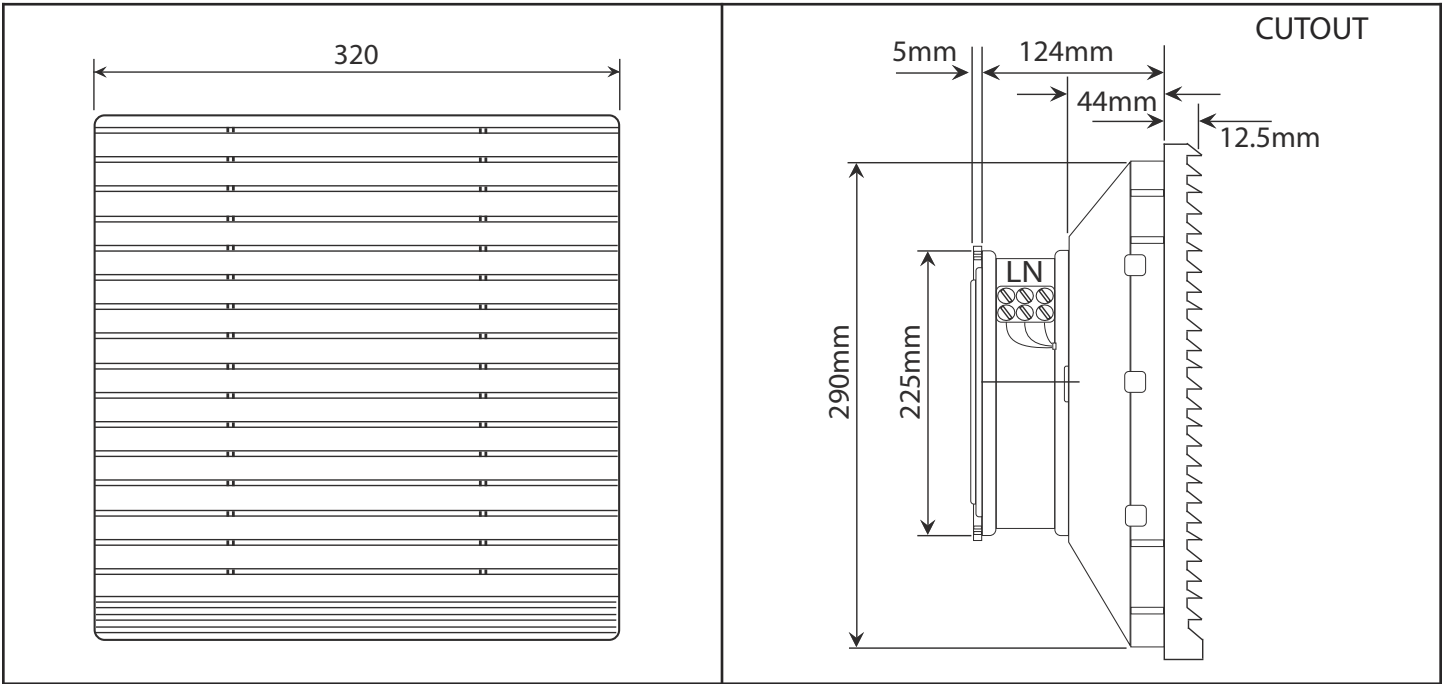


| Part Number | LFG120B | LFG172B | LFG254B | Filter Media 5-Packs | |
|----------------------|---|---------|---------|----------------------|-------------|
| Frame Description | ABS Resin - flame resistant UL94V-0, Vents with screens at 45-degree angle. Includes high foam sealing edge - protection grade IP44-IP54. | | | Part Number | Description |
| Filter Mesh Material | Nylon Fiber - Synthetic Resin, filters to 8 microns. | | | LFG120BF/PK | For LFG120B |
| Color | Black is standard. Gray is available on request. To specify gray remove "B" from part number. Minimums may apply. | | | LFG172BF/PK | For LFG172B |
| | | | | LFG254BF/PK | For LFG254B |

Louvered Fan Guards

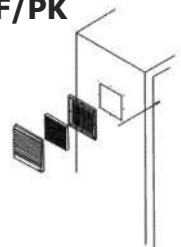


Filter Kit For 225mm (8.85")



| | |
|-----------------------------|---|
| Part Number | LFG225B |
| Frame Description | ABS Resin - flame resistant UL94V-0, Vents with screens at 45-degree angle. High foam sealing edge available by special order - protection grade IP44-IP54. |
| Filter Mesh Material | Nylon Fiber - Synthetic Resin, filters to 8 microns. |
| Color | Black is standard. Gray is available on request. To specify gray remove "B" from part number. Minimums may apply. |

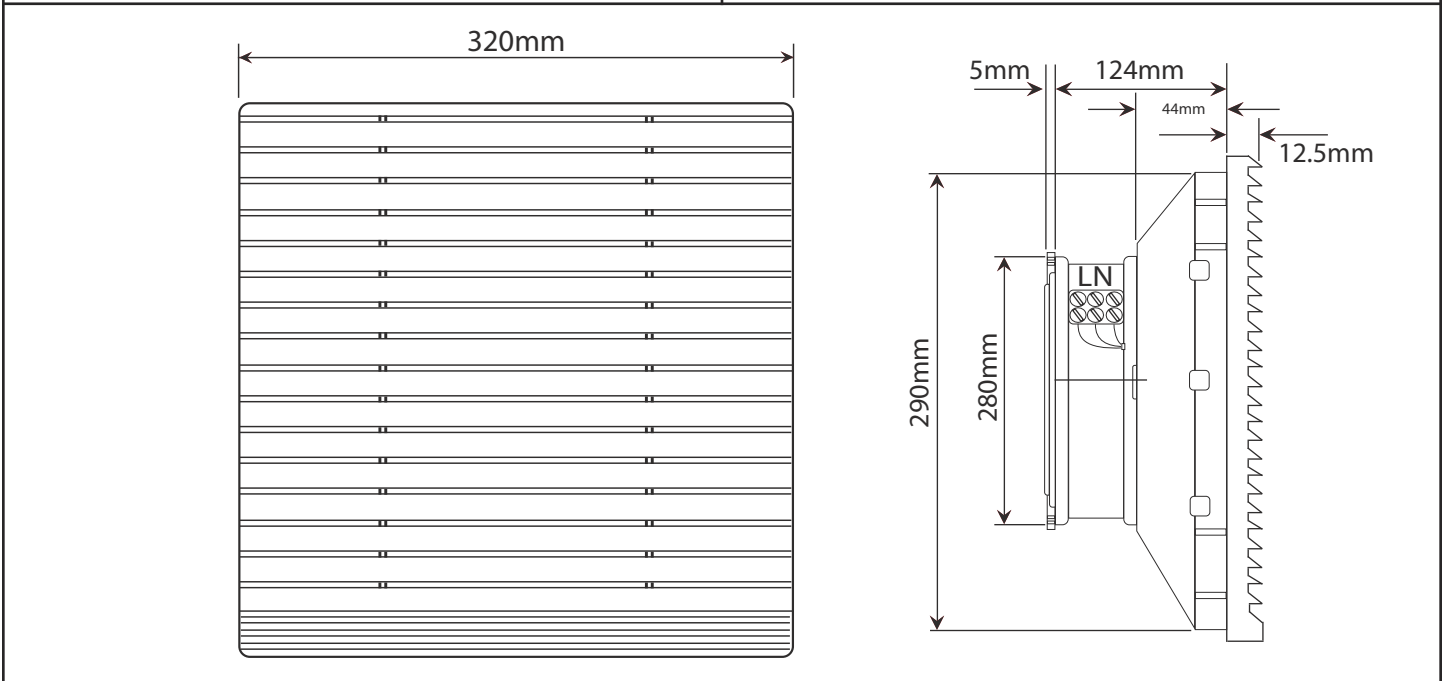
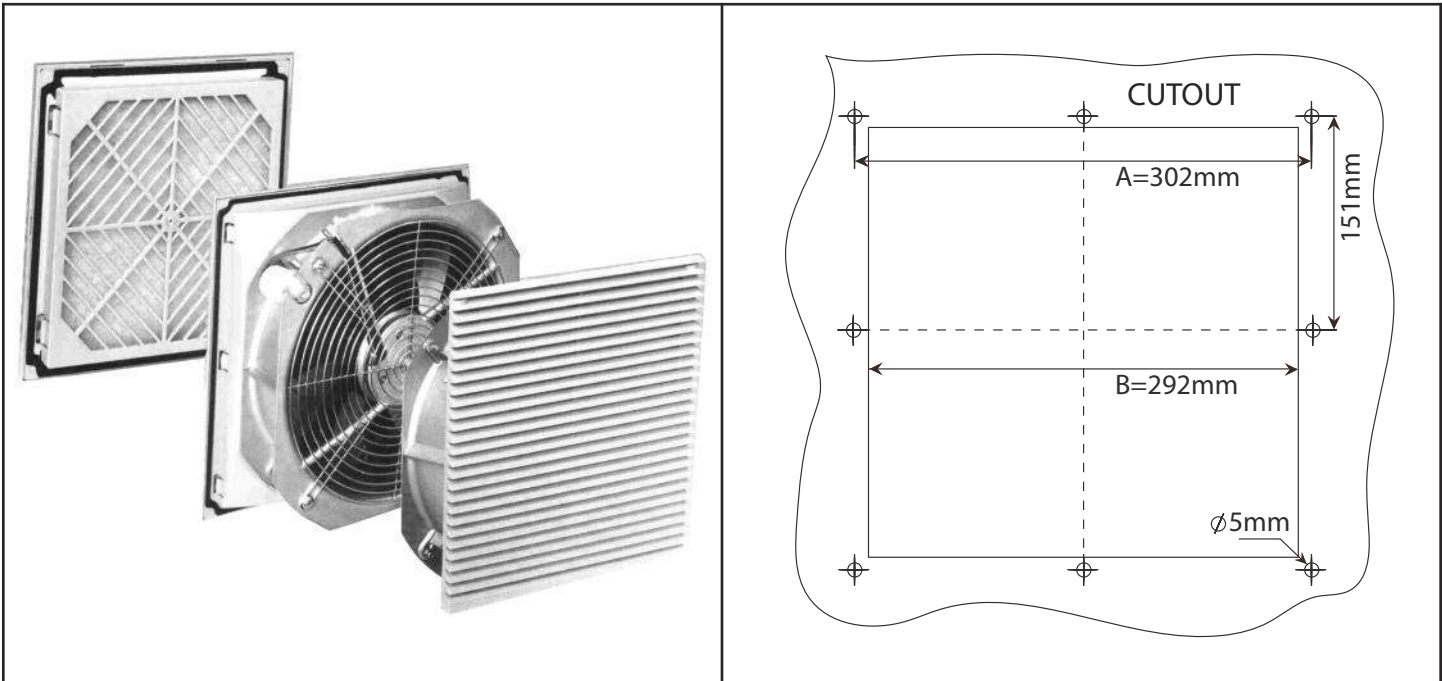
Filter Media Replacement
5-Pack: (same used for
LFG280G)
LFG280BF/PK



Louvered Fan Guards

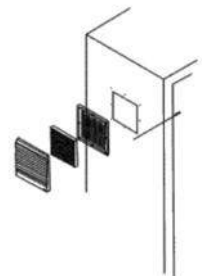


280mm (11")

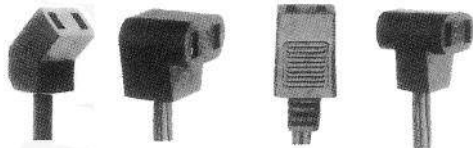


| | |
|-----------------------------|---|
| Part Number | LFG280B |
| Frame Description | ABS Resin - flame resistant UL94V-0, Vents with screens at 45-degree angle. Includes high foam sealing edge - protection grade IP44-IP54. |
| Filter Mesh Material | Nylon Fiber - Synthetic Resin, filters to 8 microns. |
| Color | Black is standard. Gray is available on request. To specify gray remove "B" from part number. Minimums may apply. |

**Filter Media Replacement
5-Pack:
LFG280BF/PK**



Fan Cords & Daisy Chains

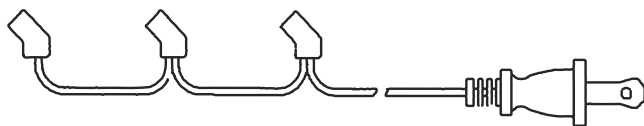


C45 C90 C180 C180T

SPT-1, 2x 18AWG, 105C



| Customizing your part number- | | | |
|---|--|---|--|
| Head | Number of Heads | Lead Length | Termination |
| C45 - | 3DC - | 72 | P |
| C45 = 45 deg. C90 = 90 deg. C180 = straight C180T = "T" shaped | blank = 1 2DC = 2 3DC = 3 4DC = 4 6DC = 6 9DC = 9 | Lead length in inches. 12" increment is standard for stock product. | blank = blunt cut ST = Stripped and Tinned P = NEMA 1-15 AC plug added EURO = European plug |

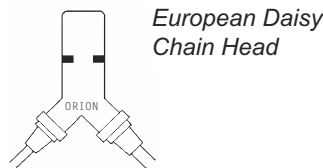


Daisy Chains permit multiple connections of fans to a single power source.

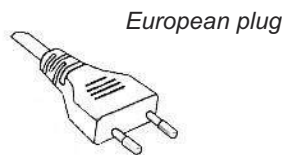
Product is available from stock in 2, 3, 4, 6 and 9 head configurations with lead lengths ranging from 12 inches to 12 feet.

Each head is separated by 12 inches of cord.

Standard product is blunt cut, but cords are usually available with AC plugs on request for an additional charge.

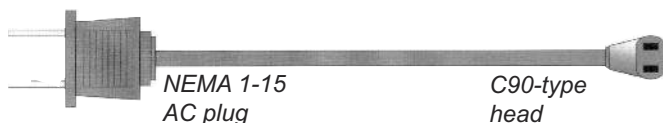


European Daisy Chain Head



European plug

UL Approved
Rating: 10 amp
125/250VAC

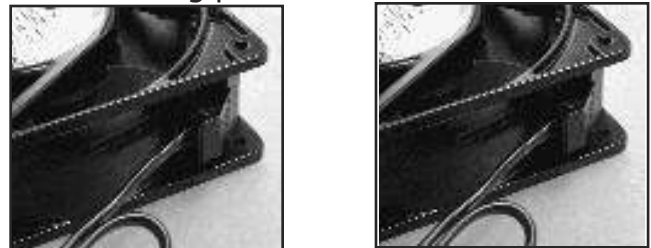


NEMA 1-15 AC plug

C90-type head

For Terminal-type Fans

Fans with terminals make connecting and disconnecting power a breeze.



Stocked Cords

| Part Number | Features |
|------------------------|------------------------------------|
| [12 inch Lead] | |
| C45-12 | |
| C90-12 | Standard cord, blunt cut, one head |
| C180-12 | |
| C180T-12 | |
| [24 inch Lead] | |
| C45-24 | Standard cord, blunt cut, one head |
| C45-24P | AC plug added |
| C45-2DC-24 | 2-head daisy chain |
| C45-3DC-24 | 3-head daisy chain |
| C45-4DC-24 | 4-head daisy chain |
| C45-6DC-24 | 6-head daisy chain |
| C45-9DC-24 | 9-head daisy chain |
| C90-24 | |
| C180-24 | Standard cord, blunt cut, one head |
| C180T-24 | |
| [36 inch Lead] | |
| C45-36 | |
| C90-36 | Standard cord, blunt cut, one head |
| C180-36 | |
| C180T-36 | |
| [48 inch Lead] | |
| C45-48 | Standard cord, blunt cut, one head |
| C45-48P | AC plug added |
| C90-48 | |
| C180-48 | Standard cord, blunt cut, one head |
| C180T-48 | |
| [72 inch Lead] | |
| C45-72 | Standard cord, blunt cut, one head |
| C45-3DC-72P | 3-head daisy chain, AC plug added |
| C90-72 | Standard cord, blunt cut, one head |
| C90-72P | AC plug added |
| C180-72 | Standard cord, blunt cut, one head |
| C180T-72 | |
| [144 inch Lead] | |
| C90-144P | AC plug added |
| C45-2DC-144P | 2-head daisy chain, AC plug added |



ORION PART NUMBER CODE:

| | | | | | | | |
|---------|---|---|---|---|---|----|----|
| | 1 | 2 | 3 | 4 | 5 | 6 | 7 |
| Example | 2 | 4 | 1 | 3 | 1 | 67 | 01 |

3 Conductors Unshielded, 14 Gauge, SJT, 5-15P Straight, C-13 Straight, 6'7", Black

- | | |
|--------------------------------|----------------------|
| 1: Number of Conductors | 5: Connector |
| 1 = 2 Conductors | 0 = None |
| 2 = 3 Conductors Unshielded | 1 = C-13 Straight |
| 3 = 3 Conductors Shielded | 2 = C-13 Right Angle |
| 2: AWG | 3 = C-14 |
| 2 = 12 Gauge | 4 = C-15 |
| 4 = 14 Gauge | 5 = C-19 |
| 6 = 16 Gauge | 6 = C-17 |
| 8 = 18 Gauge | 7 = 022A |
| A = .75mm | 8 = 002-2 |
| B = 1.0mm | 6: Length |
| C = 1.5mm | 18 = 1'8" |
| 3: Cord Type: | 33 = 3'3" |
| 1 = SJT | 50 = 5'0" |
| 2 = SVT | 60 = 6'0" |
| 3 = SPT-1 | 67 = 6'7" |
| 4 = SJO | 76 = 7'6" |
| 6 = H03VV-F | 80 = 8'0" |
| 7 = H03VVH2-F | 910 = 9'10" |
| 8 = H05VV-F | 100 = 10'0" |
| 4: Plug | 160 = 16'0" |
| 0 = None | 7: Color Code |
| 1 = 1-15 Standard | 01 = Black |
| 2 = 1-15P Polarized | 02 = Brown |
| 3 = 5-15P Straight | 03 = Gray |
| 4 = 5-15P Right Angle | 05 = White |
| 5 = 5-15P Hospital Grade Clear | |
| 6 = 5-15P Hospital Grade Gray | |
| 7 = C-14 | |
| 8 = 6-15P | |
| 9 = 5-20P | |
| A = 003A Europe | |
| B = 006B Europe | |
| C = 010 Europe | |
| D = 010A Europe | |
| E = 012A UK | |
| F = 015 Australia | |
| G = 019 Europe | |

INTERNATIONAL CORDAGE TYPES

| Cord Type | AWG/Size | No. of Conductors | Temp. Std. | Rating °C Special | Voltage Rating | Description |
|-----------|----------|-------------------|------------|-------------------|----------------|---|
| SJT | 18 - 14 | 3 | 60 | 75, 90, 105 | 300 | Service Junior Thermoplastic |
| SVT | 18 - 14 | 3 | 60 | 75, 90, 105 | 300 | Service Vacuum Thermoplastic |
| SPT-1 | 18 | 2 or 3 | 60 | 75, 90, 105 | 300 | Service Parallel Thermoplastic 1/64" Insulation |
| SPT-2 | 18 - 16 | 2 or 3 | 60 | 75, 90, 105 | 300 | Service Parallel Thermoplastic 2/64" Insulation |
| SPT-3 | 18 - 10 | 2 or 3 | 60 | 75, 90, 105 | 300 | Service Parallel Thermoplastic 3/64" Insulation |
| SJTW-A | 18 - 14 | 3 | 60 | 75, 90, 105 | 300 | Service Junior Thermoplastic - Outdoor Use |
| HPN | 18 - 16 | 2 or 3 | 90 | 105 | 300 | Heater Parallel Neoprene |

Note: SJ, SJD, SJTO, SO, SV and SVO cordage is available by special order. Minimums may apply.

INTERNATIONAL CORDAGE TYPES

Types

- Harmonized H
- Other Standard A

Voltage Rating

- 300/300V 03
- 300/500V 05
- 450/750 07

Conductor Insulation

- PVC V
- Rubber (Natural or Synthetic) R
- Polychloroprene Rubber N
- Silicone Rubber S
- Glass Fiber Construction J

Cable Jacket

- PVC V
- Rubber (Natural or Synthetic) R
- Polychloroprene Rubber N
- Textile Construction T

Dimensions of Conductor

- in mm²
- G with ground wire
- X without ground wire

Number of Conductors

-

Conductor Types

- U Solid
- R Stranded
- K Fine wire-Fixed install
- F Fine wire-flexible cordage
- H Extra-fine wire-flex. cordage
- Y Tinsel cord

Construction Detail

- H Flat, separate cable
- H2 Flat, non-separate cable

Special Components

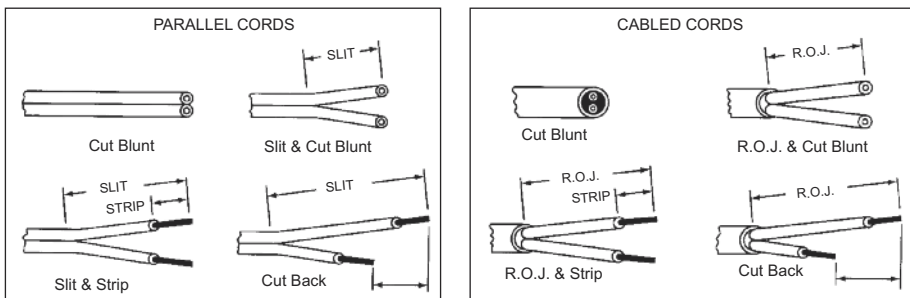
- (Rarely Used)

Example: H05VV-F 3G075

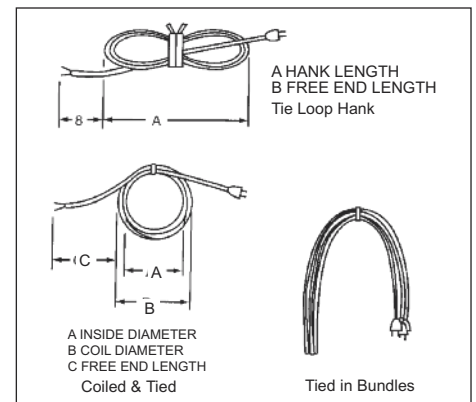
INTERNATIONAL APPROVALS:



END CUTS



STANDARD PUT-UPS





2 CONDUCTOR POWER CORDS



| ORION Part Number | AWG | Cord Type | Length | NEMA Plug | NEMA Connector | Rating Amps @125VAC |
|-------------------|-----|-----------|--------|-----------|----------------|---------------------|
| 18320-60-01 | 18 | SPT-1 | 6'0" | 1-15P | — | 10 |
| 18320-90-01 | 18 | SPT-1 | 9'0" | 1-15p | — | 10 |

5-15



3 CONDUCTOR POWER CORDS UNSHIELDED



5-20



6-15



| ORION Part Number | AWG | Cord Type | Length | NEMA Plug | NEMA Connector | Rating Amps @125VAC |
|-------------------|-----|-----------|--------|-----------|----------------|---------------------|
| 24130-67-01 | 14 | SJT | 6'7" | 5-15P | — | 15 |
| 24130-910-01 | 14 | SJT | 9'10" | 5-15P | — | 15 |
| 26130-67-01 | 16 | SJT | 6'7" | 5-15P | — | 13 |
| 26130-910-01 | 16 | SJT | 9'10" | 5-15P | — | 13 |
| 26180-910-01 | 16 | SJT | 9'10" | 6-15P | — | 13 |
| 26190-910-01 | 16 | SJT | 9'10" | 5-20P | — | 13 |
| 28180-910-01 | 18 | SJT | 9'10" | 6-15P | — | 13 |
| 28190-910-01 | 18 | SJT | 9'10" | 5-20P | — | 13 |
| 28130-67-01 | 18 | SJT | 6'7" | 5-15P | — | 10 |
| 28130-80-01 | 18 | SJT | 8'0" | 5-15P | — | 10 |
| 28130-910-01 | 18 | SJT | 9'10" | 5-15P | — | 10 |
| 28230-67-01 | 18 | SVT | 6'7" | 5-15P | — | 10 |
| 28230-910-01 | 18 | SVT | 9'10" | 5-15P | — | 10 |



| ORION Part Number | AWG | Cord Type | Length | NEMA Plug | NEMA Connector | Rating Amps @125VAC |
|-------------------|-----|-----------|--------|-----------|----------------|---------------------|
| 24131-67-01 | 14 | SJT | 6'7" | 5-15P | C-13 | 15 |
| 24131-910-01 | 14 | SJT | 9'10" | 5-15P | C-13 | 15 |
| 26131-67-01 | 16 | SJT | 6'7" | 5-15P | C-13 | 13 |
| 26131-76-01 | 16 | SJT | 7'6" | 5-15P | C-13 | 13 |
| 26131-910-01 | 16 | SJT | 9'10" | 5-15P | C-13 | 13 |
| 28131-67-01 | 18 | SJT | 6'7" | 5-15P | C-13 | 10 |
| 28131-76-01 | 18 | SJT | 7'6" | 5-15P | C-13 | 10 |
| 28131-910-01 | 18 | SJT | 9'10" | 5-15P | C-13 | 10 |
| 28231-76-01 | 18 | SVT | 7'6" | 5-15P | C-13 | 10 |
| 26151-80-03 | 16 | SJT | 8'0" | 5-15P | C-13 | 13 |
| 26151-100-03 | 16 | SJT | 10'0" | 5-15P | C-13 | 13 |
| 26161-80-03 | 16 | SJT | 8'0" | 5-15P | C-13 | 13 |
| 26161-100-03 | 16 | SJT | 10'0" | 5-15P | C-13 | 13 |
| 26161-140-03 | 16 | SJT | 14'0" | 5-15P | C-13 | 13 |



| ORION Part Number | AWG | Cord Type | Length | NEMA Plug | NEMA Connector | Rating Amps @125VAC |
|-------------------|-----|-----------|--------|-----------|----------------|---------------------|
| 28232-76-01 | 18 | SVT | 7'6" | 5-15P | C-13 | 10 |
| 26132-76-01 | 16 | SJT | 7'6" | 5-15P | C-13 | 13 |
| 28132-76-01 | 18 | SJT | 7'6" | 5-15P | C-13 | 10 |



3 CONDUCTOR POWER CORDS UNSHIELDED



| ORION Part Number | AWG | Cord Type | Length | NEMA Plug | NEMA Connector | Rating Amps @125VAC |
|-------------------|-----|-----------|--------|-----------|----------------|---------------------|
| 26171-33-01 | 16 | SJT | 3'3" | C-14 | C-13 | 13 |
| 28171-33-01 | 18 | SJT | 3'3" | C-14 | C-13 | 10 |
| 28271-33-01 | 18 | SVT | 3'3" | C-14 | C-13 | 10 |



| ORION Part Number | AWG | Cord Type | Length | NEMA Plug | NEMA Connector | Rating Amps @125VAC |
|-------------------|-----|-----------|--------|-----------|----------------|---------------------|
| 26101-67-01 | 16 | SJT | 6'7" | — | C-13 | 13 |
| 26101-910-01 | 16 | SJT | 9'10" | — | C-13 | 13 |
| 28101-67-01 | 18 | SJT | 6'7" | — | C-13 | 10 |
| 28101-910-01 | 18 | SJT | 9'10" | — | C-13 | 10 |
| 28201-76-01 | 18 | SVT | 7'6" | — | C-13 | 10 |



| ORION Part Number | AWG | Cord Type | Length | NEMA Plug | NEMA Connector | Rating Amps @125VAC |
|-------------------|-----|-----------|--------|-----------|----------------|---------------------|
| 26102-67-01 | 16 | SJT | 6'7" | — | C-13 | 13 |
| 26102-910-01 | 16 | SJT | 9'10" | — | C-13 | 13 |
| 28102-67-01 | 18 | SJT | 6'7" | — | C-13 | 10 |
| 28102-910-01 | 18 | SJT | 9'10" | — | C-13 | 10 |

3 CONDUCTOR POWER CORDS HOSPITAL GRADE UNSHIELDED NORTH AMERICAN COLOR CODE



| ORION Part Number | AWG | Cord Type | Length | NEMA Plug | NEMA Connector | Rating Amps @125VAC |
|-------------------|-----|-----------|--------|-----------|----------------|---------------------|
| 28150-80-03 | 18 | SJT | 8'0" | 5-15P | — | 10 |
| 28150-100-03 | 18 | SJT | 10'0" | 5-15P | — | 10 |
| 28160-80-03 | 18 | SJT | 8'0" | 5-15P | — | 10 |
| 28160-100-03 | 18 | SJT | 10'0" | 5-15P | — | 10 |



| ORION Part Number | AWG | Cord Type | Length | NEMA Plug | NEMA Connector | Rating Amps @125VAC |
|-------------------|-----|-----------|--------|-----------|----------------|---------------------|
| 28151-80-03 | 18 | SJT | 8'0" | 5-15P | C-13 | 10 |
| 28151-100-03 | 18 | SJT | 10'0" | 5-15P | C-13 | 10 |
| 28161-80-03 | 18 | SJT | 8'0" | 5-15P | C-13 | 10 |
| 28161-100-03 | 18 | SJT | 10'0" | 5-15P | C-13 | 10 |

POWER CORDS



3 CONDUCTOR POWER CORDS SHIELDED



| ORION Part Number | AWG | Cord Type | Length | NEMA Plug | NEMA Connector | Rating Amps @125VAC |
|-------------------|-----|-----------|--------|-----------|----------------|---------------------|
| 34131-67-01 | 14 | SJT | 6'7" | 5-15P | C-13 | 15 |
| 34131-910-01 | 14 | SJT | 9'10" | 5-15P | C-13 | 15 |
| 36131-67-01 | 16 | SJT | 6'7" | 5-15P | C-13 | 13 |
| 36131-910-01 | 16 | SJT | 9'10" | 5-15P | C-13 | 13 |
| 38131-67-01 | 18 | SJT | 6'7" | 5-15P | C-13 | 10 |
| 38131-910-01 | 18 | SJT | 9'10" | 5-15P | C-13 | 10 |
| 38231-67-01 | 18 | SVT | 6'7" | 5-15P | C-13 | 10 |
| 38231-910-01 | 18 | SVT | 9'10" | 5-15P | C-13 | 10 |



| ORION Part Number | AWG | Cord Type | Length | NEMA Plug | NEMA Connector | Rating Amps @125VAC |
|-------------------|-----|-----------|--------|-----------|----------------|---------------------|
| 36132-67-01 | 16 | SJT | 6'7" | 5-15P | C-13 | 13 |
| 36132-910-01 | 16 | SJT | 9'10" | 5-15P | C-13 | 13 |
| 38132-67-01 | 18 | SJT | 6'7" | 5-15P | C-13 | 10 |
| 38132-910-01 | 18 | SJT | 9'10" | 5-15P | C-13 | 10 |
| 38232-67-01 | 18 | SVT | 6'7" | 5-15P | C-13 | 10 |
| 38232-910-01 | 18 | SVT | 9'10" | 5-15P | C-13 | 10 |



| ORION Part Number | AWG | Cord Type | Length | NEMA Plug | NEMA Connector | Rating Amps @125VAC |
|-------------------|-----|-----------|--------|-----------|----------------|---------------------|
| 36171-33-01 | 16 | SJT | 3'3" | C-14 | C-13 | 13 |
| 38171-33-01 | 18 | SJT | 3'3" | C-14 | C-13 | 10 |
| 38271-33-01 | 18 | SVT | 3'3" | C-14 | C-13 | 10 |



| ORION Part Number | AWG | Cord Type | Length | NEMA Plug | NEMA Connector | Rating Amps @125VAC |
|-------------------|-----|-----------|--------|-----------|----------------|---------------------|
| 36101-67-01 | 16 | SJT | 6'7" | — | C-13 | 13 |
| 36101-910-01 | 16 | SJT | 9'10" | — | C-13 | 13 |
| 38101-67-01 | 18 | SJT | 6'7" | — | C-13 | 10 |
| 38101-910-01 | 18 | SJT | 9'10" | — | C-13 | 10 |
| 38201-67-01 | 18 | SVT | 6'7" | — | C-13 | 10 |
| 38201-910-01 | 18 | SVT | 9'10" | — | C-13 | 10 |

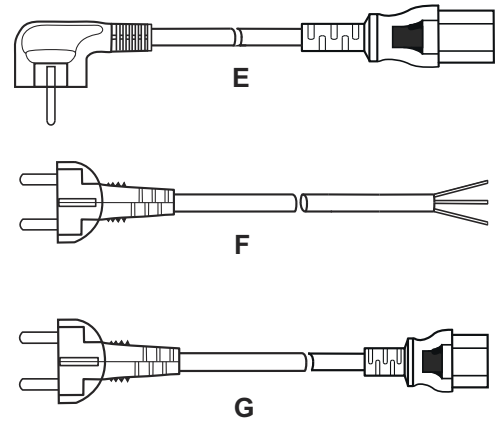
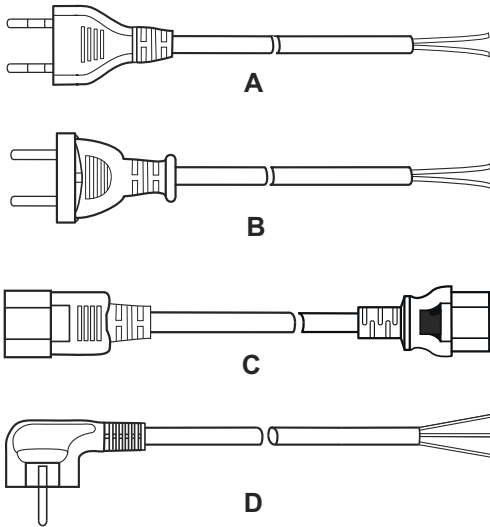


| ORION Part Number | AWG | Cord Type | Length | NEMA Plug | NEMA Connector | Rating Amps @125VAC |
|-------------------|-----|-----------|--------|-----------|----------------|---------------------|
| 36102-67-01 | 16 | SJT | 6'7" | — | C-13 | 13 |
| 36102-910-01 | 16 | SJT | 9'10" | — | C-13 | 13 |
| 38102-67-01 | 18 | SJT | 6'7" | — | C-13 | 10 |
| 38102-910-01 | 18 | SJT | 9'10" | — | C-13 | 10 |
| 38202-67-01 | 18 | SVT | 6'7" | — | C-13 | 10 |
| 38202-910-01 | 18 | SVT | 9'10" | — | C-13 | 10 |

POWER CORDS

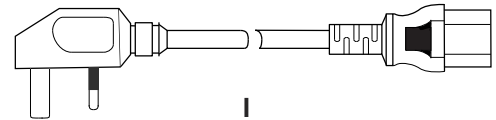
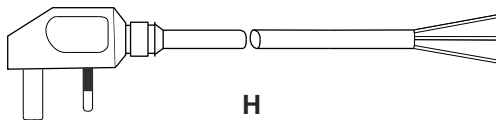


INTERNATIONAL



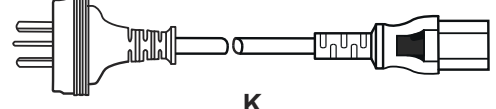
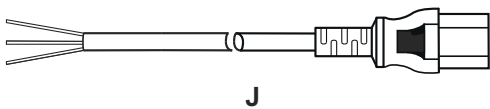
EUROPE

| Fig. | ORION Number | Cond MM | Cord Type | Length | Plug | Conn | Amps 250VAC |
|------|--------------|---------|-----------|--------|------|-------|-------------|
| A | 1A6B020-01 | 2X.75 | H03VV-F | 2.0M | 006B | — | 2.5 |
| B | 1A7G020-01 | 2X.75 | H03VVH2-F | 2.0M | 019 | — | 6 |
| C | 2B8A825-01 | 3X1.0 | H05VV-F | 2.5M | 003A | 002-2 | 10 |
| D | 2B8C025-01 | 3X1.0 | H05VV-F | 2.5M | 010 | — | 10 |
| E | 2B8C825-01 | 3X1.0 | H05VV-F | 2.5M | 010 | 002-2 | 10 |
| F | 2B8D025-01 | 3X1.0 | H05VV-F | 2.5M | 010A | — | 10 |
| G | 2B8D825-01 | 3X1.0 | H05VV-F | 2.5M | 010A | 002-2 | 10 |



UNITED KINGDOM

| Fig. | ORION Number | Cond MM | Cord Type | Length | Plug | Conn | Amps 250VAC |
|------|--------------|---------|-----------|--------|------|-------|-------------|
| H | 2B8E025-01 | 3X1.00 | H05VV-F | 2.5M | 012A | — | 10 |
| I | 2B8E825-01 | 3X1.00 | H05VV-F | 2.5M | 012A | 002-2 | 10 |



AUSTRALIA

| Fig. | ORION Number | Cond MM | Cord Type | Length | Plug | Conn | Amps 250VAC |
|------|--------------|---------|-----------|--------|------|-------|-------------|
| J | 2B8F025-01 | 3X1.00 | H05VV-F | 2.5M | 015 | — | 10 |
| K | 2B8F825-01 | 3X1.00 | H05VV-F | 2.5M | 015 | 002-2 | 10 |



For Custom power cord applications please fill out the following form and fax it to 214-340-5870 and we will issue a quote on your requirements.

Company Name: _____

Contact: _____

Address: _____

City / State / Zip: _____

Telephone: _____

Web Address: _____ E-mail: _____

Quantity Req.: _____

Delivery Req.: _____

Cordage: _____

North American: XT, HPN, SPT-1, SPT-2, SPT-3, SVT, SJT, SJTW, SJTW-A, SJO, Other (Please Specify)
Europe & UK: HO3VVH2-F, HO3VV-F, HO5VV-F, Other (Please Specify)
Japan: VVF, HVVF, VCTFK, HFFF, VCTF, HVCTF
Australia: LFC-2F, GFC-2F, LFC-2R, GFC-2R, GFC-3R, LFC-3R
Other: Please Specify

Temperature Rating: _____ (60C, 85C, 105C)

No. of Conductors: _____ (2 or 3)

Wire Gauge: _____

North American: 12, 14, 16, 18, 20, Other (Please Specify)
Europe: 0.75mm, 1.00mm
Japan: 1.25mm, 2.00mm

Current Requirement: _____ / _____ (Amps / Volts)

Jacket Color: _____

Color Code: _____ (North American or European)

Shielding: _____ (None, Foil Aluminum, Braid, Foil and Braid)

Overall Length: _____ (Please specify meters or inches)

Plug: _____

IEC Connector: _____

Unterminated Cords: _____ (ROJ to what length?)

_____ (RIJ to what length?)

_____ (Tinned conductors?)

Terminals Required: _____ (Please specify type and associated conductors)

Cross Referencing



Find your replacement fan

Updated: May 22, 2015
Updates in **Bold**

ABOUT THIS CROSS-REFERENCE

The following cross reference material is for general information only. It covers the basic fan models for Comair-Rottron, Sunon, ADDA, ETRI, NMB, Nidec, Delta and EBM/Papst. In each case the crossed material is provided in a way that will allow you to find the appropriate ORION FAN equivalent in terms of size and voltage. Specifics such as CFM (airflow), static pressure curves, power draw and dB (noise) vary greatly among manufacturers and crosses are rarely exact. Therefore some thought must be given to choosing a replacement fan.

Instructions:

1. Find the closest part number match on the table below to the part number that you are crossing and make a note of the ORION recommended replacement.
2. Go to the quick size reference on the index page and find the ORION Series number.
3. Verify that the size (outside dimensions) and voltage (AC vs. DC) are the same as the fan that you are trying to cross.
4. Turn to the appropriate page and compare specifications.
5. If the ORION specifications are not within your tolerances then choose the model that most closely fits your requirements in terms of noise vs. CFM etc.

If you cannot find a suitable replacement for your fan in this catalog then please give us a call. We have several new fan models that are currently under development and many of our existing fans are available with alternate case configurations.

| COMAIR-ROTRON | ORION | COMAIR-ROTRON | ORION | COMAIR-ROTRON | ORION | COMAIR-ROTRON | ORION |
|----------------|----------------|---------------|-----------------|---------------|-----------------|--------------------|-------------------------|
| BD12B3 | ODB600-12MB | JQ24B4 | OD172AN-24HB | SD48B1 | OD8032-48HB | WD12M3 | OD1238PT-12LB |
| BD24B3 | ODB600-24MB | JQ48B4 | OD172AN-48HB | ST05A3 | OD8032-05MB | WD24B3 | OD1238PT-24MB |
| BD24C3 | ODB600-24LB | MC12A3 | OD1238PT-12HS | ST05B3 | OD8032-05MB | WD24C3 | OD1238PT-24MB |
| BD48B3 | ODB600-48MB | MC12B3 | OD1238PT-12HB | ST05E3 | OD8032-05LLB | WD24H3 | OD1238PT-24LB |
| BD48C3 | ODB600-48LB | MC12E3 | OD1238PT-12LS | ST05F3 | OD8032-05LLB | WD24M3 | OD1238PT-24LB |
| BT3A1 | OAB800AN-22-1S | MC12G3 | OD1238PT-12MS | ST05G3 | OD8032-05LB | WD48B3 | OD1238PT-48MB |
| BTA21 | OAB800AN-11-1S | MC24A3 | OD1238PT-24HS | ST05H3 | OD8032-05LB | WR2A1 | OA109AP-11-3TS |
| CD24B3 | OD254AP-24HB | MC24B3 | OD1238PT-24HB | ST12A3 | OD8032-12HS | WR2H1 | OA109AP-11-2TS |
| CLE2L2 | OA254AP-11-1WB | MC24H3 | OD1238PT-24MB | ST12A3 | OD8032-12MB | WR2M1 | OA109AP-11-3TS |
| CLE2T2 | OA254AP-11-1TB | MC48B3 | OD01238PT-48HB | ST12B3 | OD8032-12MB | WR3A1 | OA109AP-33-1TS |
| CLE3L2 | OA254AP-22-1WB | MD12B1 | OD1238PT-12HB | ST12E3 | OD8032-12LLB | WR3H1 | OA109AP-22-2TS |
| CLE3T2 | OA254AP-22-1TB | MD12B2 | OD1238PT-12HTB | ST12F3 | OD8032-12LLB | WX2A1 | OA109AP-11-3TS |
| CR0212LB-G70 | OD2510-12HB | MD24B1 | OD1238PT-24HB | ST12G3 | OD8032-12LB | WX2H1 | OA109AP-22-2TS |
| CR0412HB-C50 | OD4020-12HB | MD24B2 | OD1238PT-24HTB | ST12H3 | OD8032-12LB | WX2M1 | OA109AP-11-2TS |
| CR0412HB-G70 | OD4010-12HB | MD48B1 | OD1238PT-48HB | ST12K3 | OD8032-12HB | WX3H1 | OA109AP-11-1TB |
| CR0512HB-D71 | NO CROSS | MD48B2 | OD1238PT-48HTB | ST12N3 | OD8032-12HB | WX3M1 | OA109AP-22-2TB |
| CR0512HB-G90 | OD5210-12HB | MR2B3 | OA172SAN-11-1WB | ST24A3 | OD8032-24HS | 19041119A | OD172SAP-48HB01A |
| CR0612HB-D71GL | OD6015-12HB | MR2D3 | OA172SAN-11-3TB | ST24A3 | OD8032-24MB | ACCESSORIES | |
| CR0624HB-A70GL | OD6025-24HB | MR77B3 | OA172SAN-22-1WB | ST24B3 | OD8032-24MB | 428056 | C45-24 |
| CR0812HB-A70GL | OD8025-12HB | MR77D3 | OA172SAN-22-3TB | ST24G3 | OD8032-24LB | 476042 | G109-3A |
| CR0824HB-A70GL | OD8025-24HB | MS12B3 | OD1238-12HB | ST24H3 | OD8032-24LB | 550440 | C180-24 |
| CR0912HB-A70GL | OD9225-12HB | MS24B3 | OD1238-24HB | ST24K3 | OD8032-24HB | 554139 | R80P |
| CR0924HB-A70GL | OD9225-24HB | MS48B3 | OD1238-48HB | ST24N3 | OD8032-24HB | 554140 | G80P |
| FE12B3 | OD8025-12HB | MU2A1 | OA109AP-11-1TS | SU2A1 | OA80AP-11-1WB | 554141 | GRM80-30,45 |
| FE12H3 | OD8025-12MB | MU2B1 | OA109AP-11-1TB | SU2A5 | OA80AP-11-1TB | 554142 | M80-30,45 |
| FE24B3 | OD8025-24HB | MU3A1 | OA109AP-22-1TS | SU2A7 | OA80AP-11-1WBR | 554148 | GRM-120-30 |
| FE24H3 | OD8025-24MB | MU3B1 | OA109AP-22-1TB | SU2B1 | OA80AP-11-1WB | 554172 | G92-16 |
| FN12B3 | OD9225-12HB | MX2A1* | OA109AP-11-1TS | SU2B5 | OA80AP-11-1TB | 554172 | G92-16 |
| FN12C3 | OD9225-12MB | MX2A3 | OA109AP-11-1TS | SU2C1 | OA80AP-11-2WB | 557219 | M92-30,45 |
| FN24B3 | OD9255-24HB | MX2B3 | OA109AP-11-1TB | SU2E1 | OA80AP-11-2WB | 557220 | R92P |
| FN24C3 | OD9225-24MB | MX3A1* | OA109AP-22-1TS | SU2E7 | OA80AP-11-2WBR | 557221 | G92P |
| FS12B3 | OD6025-12MB | MX3A3 | OA109AP-22-1TS | SU2G1 | OA80AP-11-1WB | 557239 | GRM60-30,45 |
| FS12H3 | OD6025-12LB | MX3B3 | OA109AP-22-1TB | SU2H1 | OA80AP-11-1WB | 557240 | M60-30,45 |
| FS24B3 | OD6025-24HB | PQ12B4 | OD172SAP-12HB | SU3A1 | OA80AP-11-1WB | 557241 | G60P |
| FS24H3 | OD6025-24LB | PQ12C4 | OD172SAP-12HB | SU3B1 | OA80AP-22-1WB | 557242 | R60P |
| FT12B3 | OD1225PT-12HB | PQ24B4 | OD172SAP-24HB | SU3H1 | OA80AP-22-1WB | 572621 | G60-4 |
| FT12M3 | OD1225PT-12MB | PQ24C4 | OD172SAP-24HB | TB24B1 | OD180AP-24HB | 572621 | G60-4 |
| FT24B3 | OD1225PT-23HB | PQ48B4 | OD172SAP-48HB | TN3E2A | OA180AP-11-11WB | 5500648 | G80P |
| FT24M3 | OD1225PT-24MB | PQ48C4 | OD172SAP-48HB | TN3E2C | OA180AP-11-1TB | | |
| GL12B4 | OD127AN-12HB | PT2B3 | OA172AP-11-1WB | TN3E3A | OA180AP--22-1WB | | |
| GL24B4 | OD127AN-24HB | PT2D3 | OA172AP-11-3TB | WD12B3 | OD1238PT-12MB | | |
| GL-48B4 | OD127AN-48HB | PT77B3 | OA172AP-22-1WB | WD12C3 | OD1238PT-12MB | | |
| HUQ12B4 | OD172AN-12HB | PT7D3 | OA172AP-22-3TB | WD12H3 | OD1238PT-12LB | | |



| DELTA | ORION | DELTA | ORION | DELTA | ORION | DELTA | ORION |
|-----------------|-------------------|----------------|--------------------|-----------------|---------------------|-----------------|-------------------|
| AF0812L | OD8025-12LB | AFB0812H | OD8025-12HB | AFC0712DD-TP10 | OD7020-12HHB10A | EFB1524HE | OD172SAPL-24HB |
| AFB02505HA | OD2510-05HB | AFB0812HB | OD8015-12HB | AFC0712D-9Z08 | OD7025-12HHB10A | EFB1524HG | OD172SAP-24HB |
| AFB02512HA | OD2510-12HB | AFB0812M | OD8025-12MB | AFC1212D-F00 | OD1225-12HHBXC10A | EFB1524LE | OD172SAPL-24LB |
| AFB02512LA | OD2510-12LB | AFB0812MB | OD8015-12MB | ASB03512MA-AF00 | OD3510-12LSS01A | EFB1524LG | OD172SAP-24LB |
| AFB02512MA | OD2510-12MB | AFB0824H | OD8025-24HB | BFB0312HA-A | ODB3010-12HB | EFB1524ME | OD172SAPL-24MB |
| AFB0312HA | OD3010-12HB | AFB0824HB | OD8015-24HB | BF80712H | ODB7530-12HB | EFB1524MG | OD172SAP-24MB |
| AFB0312LA | OD3010-12LB | AFB0824L | OD8025-24LB | BF80724H | ODB7530-24HB | EFB1548HE | OD172SAPL-48HB |
| AFB0312MA | OD3010-12MB | AFB0824M | OD8025-24MB | EFB0412HD | OD4020-12HB | EFB1548HG | OD172SAP-48HB |
| AFB0412SHB | OD4015-12HHBXC | AFB0824MB | OD8015-24MB | EFB0412L | OD4020-12LB | EFB1548LE | OD172SAPL-48LB |
| AFB0412SHB-SP04 | OD4015-12HHBXC10A | AFB0912H | OD9225-12HB | EFB0412LA | OD4010-12LB | EFB1548LG | OD172SAP-48LB |
| AFB0512HB-TP41 | OD5015-12HB10A | AFB0912H-F00 | OD9225-12HB01A | EFB0412LD | OD4020-12LB | EFB1548ME | OD172SAPL-48MB |
| AFB0512HHB-F00 | OD5015-12HB01A | AFB0912L | OD9225-12LB | EFB0412MAD | OD4010-12MB | EFB1548MG | OD172SAP-48MB |
| AFB0612VHD | OD5020-12HB | AFB0912M | OD9225-12MB | EFB0412MD | OD4020-12MB | EFB0412HN | OD4028-12HB |
| AFB0612H | OD6025-12HB | AFB0924H | OD9225-24HB | EFB0424HD | OD4020-24HB | FFB0412MN | OD4028-12MB |
| AFB0612HB | OD6015-12HB | AFB0924L | OD9225-24LB | EFB0424LD | OD4020-24LB | FFB0424HN | OD4028-24HB |
| AFB0612HD | OD6020-12HB | AFB0924M | OD9225-24MB | EFB0424LD | OD4020-24LB | FFB0424MN | OD4020-24MB |
| AFB0612L | OD6025-12LB | AFB1212H | OD1225-12HB | EFB0424MD | OD4020-24MB | GFC0412DS-TP01 | OD4056-12MB10A |
| AFB0612LB | OD6015-12LB | AFB1212HE | OD1238-12HB | EFB0512HHA-F00 | OD5010-12HB01A | PFB0612UHE-F00 | OD6038-12MBXC01A |
| AFB0612LD | OD6020-12LB | AFB1212L | OD1225-12LB | EFB0612HHA | OD6010-12HB | PFR0612XHE-F00 | OD6038-12HHBXC01A |
| AFB0612M | OD6025-12MB | AFB1212LE | OD1238-12LB | EFB0612HA-F00 | OD6010-12HB01A | PFR0612XHE-SP00 | OD6038-12HHBXC10A |
| AFB0612MB | OD6015-12MB | AFB1212M | OD1225-12MB | EFB0812HF | OD8032-12HB | PFR0612UHE-F00 | OD6038-12LXJC01A |
| AFB0612MD | OD6020-12MB | AFB1212ME | OD1238-12MB | EFB0812LF | OD8032-12LB | PFR0612DHE-F00 | OD6038-12HXC01A |
| AFB0624H | OD6025-24HB | AFB1212VHE-F00 | OD1238-12LXJC01A | EFB0812MF | OD8032-12MB | PFR0612DHE-SP00 | OD6038-12HXC10A |
| AFB0624HD | OD6020-24HB | AFB1224H | OD1225-24HB | EFB0824HF | OD8032-24HB | PFR0812XHE-SP00 | OD8038-12HBXE10A |
| AFB0624L | OD6025-24LB | AFB1224HE | OD1238-24HB | EFB0824LF | OD8032-24LB | PFR0848XHE-DV82 | OD8038-48HBXE10A |
| AFB0624LD | OD6020-24LB | AFB1224L | OD1225-23LB | EFB0824MF | OD8032-24MB | PFR1212DHE-F00 | OD1238-12HBXJ01A |
| AFB0624M | OD6025-24MB | AFB1224LE | OD1238-24LB | EFB1512HE | OD172SAPL-12HB | PFR1212DHE-SP00 | OD1238-12HBXJ10A |
| AFB0624MD | OD6020-24MB | AFB1224M | OD1225-24MB | EFB1524SHG-F00 | OD172SAP-24HHBXC01A | PFR1212UHE-F00 | OD1238-12MBXJ01A |
| AFB0724M-A | OD7025-24MB | AFB1224ME | OD1238-24MB | EFB1512HG | OD172SAP-12HB | PFR1212UHE-SP00 | OD1238-12MBXJ10A |
| AFB0712VHB-F00 | OD7015-12HHB01A | AFB1224SH-T500 | OD1225-24HHBXCIP55 | EFB1512LE | OD172SAPL-12LB | | |
| AFB0712HHD | OD7020-12HB | AFB1248HE | OD1238-48HB | EFB1512LG | OD172SAP-12LB | | |
| AFB0712SH-AB | OD7025-12HBXC | AFB1248LE | OD1238-48LB | EFB1512ME | OD172SAPL-12MB | | |
| AFB0712SH-AF00 | OD7025-12HBXC01A | AFB1248ME | OD1238-48MB | EFB1512MG | OD172SAP-12MB | | |

| EBM/PAPST | ORION | EBM/PAPST | ORION | EBM/PAPST | ORION | EBM/PAPST | ORION |
|-----------|----------------|-----------|----------------|-----------|-----------------|--------------------|------------------|
| 412 | OD4010-12MS | 4212H | OD1238-12H | 6248N | OD172SAP-48HTB | 8412GV | OD8025-12HB |
| 414 | OD4010-24HS | 4212L | OD1238-12LB | 6224 | OD172SAP-24H | 8412L | OD8025-12LB |
| 612 | OD6025-12HB | 4212M | OD1238-12MB | 6248 | OD172SAP-48H | 8412M | OD8025-12MB |
| 614 | OD6025-24HB | 4214H | OD1238-24H | 7006 | OA172AN-11-1TB | 8500N | OA80AP-11-1 |
| 712F | OD7015-12MB | 4218C | OD1238-48M | 7056 | OA172AN-22-1TB | 8506N | OA80AP-11-1WB |
| 3312 | OD9225-12HB | 4218H | OD1238-48H | 7112 | OD172SAPL-12H | 8550N | OA80AP-22-1 |
| 3314 | OD9225-12HB | 4294H | OD1238-24HTB | 7114 | OD172SAPL-24H | 8556N | OA80AP-22-1WB |
| 3412 | OD9225-12H | 4298H | OD1238-48HTB | 7118 | OD172SAPL-48H | 8800N | OA80AP-11-2 |
| 3414 | OD9225-24H | 4312L | OD1232-12L | 7212 | OD172SAP-12H | 8830N | OA80AP-11-3WS |
| 3906 | OA92AP-11-1TB | 4312M | OD1232-12M | 7214 | OD172SAP-24H | 8850N | OA80AP-22-2WB |
| 3908 | OA92AP-11-1 | 4500N | OA109AP-11-1 | 7218 | OD172SAP-48H | 8880N | OA80AP-22-1TB |
| 3958 | OA92AP-22-1 | 4530N | OA109AP-11-2 | 7805S | OA162-5E-11-1WB | 8908L | OA825AP-11-3 |
| 4212 | OD1238-12M | 4600N | OA109AP-11-1 | 7806S | OA162-5E-11-1WB | 9906L | OA125AP-11-2TB |
| 4214 | OD1238-24M | 4600X | OA109AP-11-1TB | 7855S | OA162-5E-22-1WB | 9956L | OA125AP-22-2TB |
| 4292 | OD1238-12HTB | 4600XP | OA109AP-11-1TB | 7856S | OA162-5E-11-1WB | R1G190 Series | OAB190 Series |
| 4312 | OD1232-12H | 4606N | OA109AP-11-1 | 8312 | OD8032-12H | R2E220-AA40-23 | OAB220-22-1 |
| 4314 | OD1232-24HB | 4606X | OA109AP-11-1TB | 8314 | OD8032-24H | R2E220-AA44-23 | OAB220-11-1 |
| 4318 | OD1232-48HB | 4650N | OA109AP-22-1 | 8318 | OD8032-48H | R4E 400 | OAB400-22-1 |
| 4908 | OA125AP-11-1 | 4650X | OA109AP-22-1TB | 8412 | OD8025-12HB | RL90-18/14N | ODB600AN |
| 4958 | OA125AP-22-1 | 4656N | OA109AP-22-1TB | 8414 | OD8025-24HB | W2E142 Series | OA172SAPL Series |
| 3312L | OD9225-12LB | 4658N | OA109AP-22-1 | 8908 | OA825AP-11-1 | W2K121 Series | OA119 Series |
| 3312M | OD9225-12MB | 4800N | OA109AP-11-3 | 8958 | OA825AP-22-1 | W3E200 Series | OAB225 Series |
| 3312V | OD9225-12HB-03 | 4800X | OA109AP-11-2TB | 9906 | OA125AP-11-1TB | W2E250 Series | OAB280 Series |
| 3412GMV | OD9225-12MB | 4840N | OA109AP-11-1 | 9956 | OA125AP-22-1TB | W2K121-AA15-13 | OA119AP-11-2TB |
| 3412L | OD9225-12M | 4850X | OA109AP-22-3 | 8112G | OD8032-12HB | W2K121-AA15-39 | OA119AP-11-2TS |
| 3412M | OD9225-12H | 4908L | OA125AP-11-2 | 8112K | OD8032-12HB | W2K121-AA15-01 | OA119AP-11-2TB |
| 3906L | OA92AP-11-2TB | 6008S | OA172AN-11-1 | 8124G | OD8032-24HB | W2K121-AA01-13 | OA119AP-22-2TB |
| 3908L | OA92AP-11-2 | 6028S | OA172AN-11-1 | 8124K | OD8032-24HB | W2K121-AA01-39 | OA119AP-22-2TS |
| 412F | OD4010-12MS | 6058S | OA172AN-22-1 | 8312HL | OD8032-12HB | W2K121-AA01-01 | OA119AP-22-2TB |
| 412FH | OD4010-12HS | 6078S | OA172AN-22-1 | 8312L | OD8032-12LB | | |
| 414F | OD4010-24MS | 612L | OD6025-12LB | 8312L | OD8032-12L | ACCESSORIES | |
| 4182NGX | OD1238-12MS | 612M | OD6025-12M | 8312M | OD8032-12MB | LZ22N | G80-18 |
| 4182NX | OD1238-12HB | 6212M | OD172SAP-12H | 8312M | OD8032-12M | LZ23 | G92-16 |
| 4184NGX | OD1238-24MS | 6224M | OD172SAP-24H | 8312MV | OD8032-12LB | LZ24 | G172-10HA |
| 4184NHX | OD1238-48HHB | 6224N | OD172SAP-24HB | 8314H | OD8032-24HB | LZ30 | G109-15A |
| 4184NX | OD1238-24HB | 6224NM | OD172SAP-24HTB | 8412GLV | OD8025-12LB | | |
| 4188NXM | OD1238-48MB | 6248M | OD172SAP-48H | 8412GMV | OD8025-12MB | | |



| NMB* | ORION | NMB* | ORION | NMB* | ORION | NMB* | ORION |
|---------------------------|------------------------|-----------------|----------------|----------------|-----------------|---------------------------|---------------------|
| 1004KL-01W-B50 | OD2510-05HB | 3115PS-12W-B30 | OA80AP-11-1WB | 4710PS-23W-B30 | OA125AP-22-1WB | 4715PS-23T-B20 | OA109AP-22-1TB |
| 1004KL-04W-B50 | OD2510-12HB | 3115PS-23T-B10 | OA80AP-22-3TB | 4715FS-12T-B10 | OA109AP11-3TBR | 4715PS-23T-B30 | OA109AP-22-1TB |
| 1204KL-04W-B50 | OD3010-12HB | 3115PS-23T-B20 | OA80AP-22-2TB | 4715FS-12T-B20 | OA109AP11-2TBR | 5015KL-04T-B50 | OD127-12HTB |
| 1404KL-04W-B59-B00 | OD3510-12MB02A | 3115PS-23T-B30 | OA80AP-22-1TB | 4715FS-12T-B30 | OA109AP-11-1TBR | 5015KL-04W-B50 | OD127-12HTB |
| 1604KL-01W-B50 | OD4010-05HB | 3115PS-23W-B30 | OA80AP-22-1WB | 4715FS-12T-B40 | OA109AP11-1TBR | 5915PC-12T-B30 | OA172SAPL-11-1TB |
| 1604KL-04W-B50 | OD4010-12HB | 3610KL-04W-B10 | OD9225-12LB | 4715FS-12T-B50 | OA109AP11-1TBR | 5915PC-12W-B30 | OA172SAPL-11-1WB |
| 1606KL-05W-B59-L00 | OD4015-24HB02A | 3610KL-04W-B20 | OD9225-12MB | 4715FS-12W-B30 | OA109AP-11-1WBR | 5915PC-23T-B30 | OA172SAPL-22-1TB |
| 1608KL-01W-B50 | OD4020-05HB | 3610KL-04W-B30 | OD9225-12MB | 4715FS-23T-B10 | OA109AP22-3TBR | 5915PC-23W-B30 | OA172SAPL-22-1WB |
| 1608KL-04W-B50 | OD4020-12HB | 3610KL-04W-B40 | OD9225-12HB | 4715FS-23T-B20 | OA109AP22-2TBR | 5920PL-05W-B40 | OD172SAP-24HB |
| 2004KL-01W-B59-B00 | OD5010-05MB02A | 3610KL-04W-B50 | OD9225-12HB | 4715FS-23T-B30 | OA109AP-22-1TBR | 5920PL-07W-B40 | OD172SAP-48HB |
| 2406KL-04W-B50 | OD6015-12HB | 3610KL-05W-B10 | OD9225-24LB | 4715FS-23T-B40 | OA109AP22-1TBR | 5920PL-12T-B30 | OD172SAP-11-1TB |
| 2408NL-04W-B50 | OD6020-12HB | 3610KL-05W-B20 | OD9225-24MB | 4715FS-23T-B50 | OA109AP22-1TBR | 5920PL-12W-B30 | OD172SAP-11-1WB |
| 2408NL-05W-B50 | OD6020-24HB | 3610KL-05W-B30 | OD9225-24MB | 4715FS-23W-B30 | OA109AP-22-1WBR | 5920PL-23T-B30 | OD172SAP-22-1TB |
| 2410ML-04W-B10 | OD6025-12LB | 3610KL-05W-B40 | OD9225-24HB | 4715KL-04T-B50 | OD1238-12HTB | 5920PL-23W-B30 | OD172SAP-22-1WB |
| 2410ML-04W-B20 | OD6025-12MB | 3610KL-05W-B50 | OD9225-24HB | 4715KL-04W-B10 | OD1238-12LB | 6820PL-05W-B50 | OD172AP-24HB |
| 2410ML-04W-B30 | OD6025-12MB | 3610PS-12T-B10 | OA92AP-11-3TB | 4715KL-04W-B20 | OD1238-12MB | 6820PL-07W-B50 | OD172AP-48HB |
| 2410ML-04W-B40 | OD9025-12HB | 3610PS-12T-B20 | OA92AP-11-2TB | 4715KL-04W-B30 | OD1238-12HB | 6820PL-12T-B30 | OD172AP-11-1TB |
| 2410ML-04W-B50 | OD6025-12HB | 3610PS-12T-B30 | OA92AP-11-1TB | 4715KL-04W-B40 | OD1238-12HB | 6820PL-12W-B30 | OD172AP-11-1WB |
| 2410ML-05W-B50 | OD6025-24HB | 3610PS-12W-B30 | OA92AP-11-1WB | 4715KL-04W-B50 | OD1238-12HB | 6820PL-23T-B30 | OD172AP-22-1TB |
| 3106KL-05W-B59-B00 | OD8015-24HB02A | 3610PS-23T-B10 | OA92AP-22-3TB | 4715KL-05T-B50 | OD1238-24HTB | 6820PL-23W-B30 | OD172AP-22-1WB |
| 3110KL-04W-B10 | OD8025-12LB | 3610PS-23T-B20 | OA92AP-22-2TB | 4715KL-05W-B10 | OD1238-24LB | BG1203-B055-000-00 | OD172AP-24HB |
| 3110KL-04W-B20 | OD8025-12MB | 3610PS-23W-B30 | OA92AP-22-1WB | 4715KL-05W-B20 | OD1238-24MB | | |
| 3110KL-04W-B30 | OD8025-12MB | 36110PS-23T-B30 | OA92AP-22-1TB | 4715KL-05W-B30 | OD1238-24HB | | |
| 3110KL-04W-B40 | OD8025-12HB | 4710NL-04W-B40 | OD1225-12HB | 4715KL-05W-B40 | OD1238-24HB | | |
| 3110KL-04W-B50 | OD8025-12HB | 4710NL-04W-B30 | OD1225-12MB | 4715KL-05W-B50 | OD1238-24HB | | |
| 3110KL-05W-B10 | OD8025-24LB | 4710NL-04W-B20 | OD1225-12MB | 4715KL-07T-B30 | OD1238-48HTB | | |
| 3110KL-05W-B20 | OD8025-24MB | 4710NL-04W-B10 | OD1225-12LB | 4715KL-07W-B30 | OD1238-48HB | | |
| 3110KL-05W-B30 | OD8025-24MB | 4712KL-04W-B50 | OD1232-12HB | 4715MS-12T-B10 | OA109AP-11-3TB | | |
| 3110KL-05W-B40 | OD8025-24HB | 4712KL-05W-B50 | OD1232-24HB | 4715MS-12T-B20 | OA109AP-11-2TB | | |
| 3110KL-05W-B50 | OD8025-24HB | 4712KL-07W-B50 | OD1232-48HB | 4715MS-12T-B30 | OA109AP-11-1TB | | |
| 3110PS-12T-B30 | OA825AP-11-1TB | 4710NL-04W-B50 | OD1225-12HB | 4715MS-12T-B40 | OA109AP-11-1TB | | |
| 3110PS-12W-B10 | OA825AP-11-3WB | 4710NL-05W-B10 | OD1225-24LB | 4715MS-12T-B50 | OA109AP-11-1TB | | |
| 3110PS-12W-B20 | OA825AP-11-2WB | 4710NL-05W-B20 | OD1225-24MB | 4715MS-12W-B30 | OA109AP-11-1WB | | |
| 3110PS-12W-B30 | OA825AP-11-1WB | 4710NL-05W-B30 | OD1225-24MB | 4715MS-23T-B10 | OA109AP-22-3TB | | |
| 3110PS-23T-B30 | OA825AP-22-1TB | 4710NL05W-B40 | OD1225-24HB | 4715MS-23T-B20 | OA109AP-22-2TB | | |
| 3110PS-23W-B10 | OA825AP-22-3WB | 4710NL-05W-B50 | OD1225-24HB | 4715MS-23T-B30 | OA109AP-22-1TB | | |
| 3110PS-23W-B20 | OA825AP-22-2WB | 4710PS-12T-B10 | OA125AP-11-1TB | 4715MS-23T-B40 | OA109AP-22-1TB | | |
| 3110PS-23W-B30 | OA825AP-22-1WB | 4710PS-12T-B20 | OA125AP-11-1TB | 4715MS-23T-B50 | OA109AP-22-1TB | | |
| 3112KL-05W-B69-E00 | OD8032-24HHB02A | 4710PS-12T-B30 | OA125AP-11-1TB | 4715MS-23W-B30 | OA109AP-22-1WB | | |
| 3115FS-12T-B30 | OA80AP11-1TB | 4710PS-12WB30 | OA125AP-11-1WB | 4715PS-12T-B10 | OA109AP-11-3TB | | |
| 3115PS-12T-B10 | OA80AP-11-3TB | 4710PS-23T-B10 | OA125AP-22-3TB | 4715PS-12T-B20 | OA109AP-11-2TB | | |
| 3115PS-12T-B20 | OA80AP-11-2TB | 4710PS-23T-B20 | OA125AP-22-2TB | 4715PS-12T-B30 | OA109AP-11-1TB | | |
| 3115PS-12T-B30 | OA80AP-11-1TB | 4710PS-23T-B30 | OA125AP-22-1TB | 4715PS-23T-B10 | OA109AP-22-3TB | | |

*NMB suffix B50 or B40 is generally high speed and B10 is generally low speed.

ORION uses H, M, L (High, Medium, Low) for DC fans and 1, 2, or 3 (High, Medium, Low) for AC fans.

| NIDEC | ORION | NIDEC | ORION | NIDEC | ORION | NIDEC | ORION |
|-----------------|-------------|--------------|---------------|-----------|--------------|------------------------|------------------|
| TA100 DC | | TA300 | | A30108 | OA109AP-11-1 | B33050 | OD1238-12MB |
| C34230 | OD2510-05MB | A30473 | OA80AP-11-1TS | A30122 | OA109AP-11-1 | B33393 | OD1238-24MB |
| C34237 | OD2510-12MB | A30472 | OA80AP-22-1TS | A30135 | OA109AP-22-1 | B34188-16 | OD1238-24MB |
| C34245 | OD2510-05HB | A30477 | OA80AP-11-1TB | A30390 | OA109AP-11-2 | B33534-81A | OD1238-24HB |
| C34240 | OD2510-12HB | A30479 | OA80AP-22-1TB | A30426 | OA109AP-22-2 | TA500 | |
| TA120 DC | | A30716 | OA80AP-11-2TS | A30433 | OA109AP-11-2 | A30700 | OA119AP-11-2TS |
| C34449 | OD3010-05HB | A32250 | OA80AP-11-1TS | A30444 | OA109AP-22-2 | A307040 | OA119AP-22-2TS |
| TA150 DC | | A32353 | OA80AP-22-1TS | A30769 | OA109AP-11-3 | A30200 | OA119AP-11-1TS |
| C33830 | OD4010-12MB | A32354 | OA80AP-11-2TS | A30925 | OA109AP-22-3 | A30324 | OA119AP-22-1TS |
| C33842 | OD4010-12HB | M33406 | OD8025-12HB | A30926 | OA109AP-11-3 | A30330 | OA119AP-11-1TB |
| C33903 | OD4010-24HB | M33407 | OD8025-24HB | A30927 | OA109AP-22-3 | A30332 | OA119AP-22-1TB |
| C33920 | OD4010-24MB | M33409 | OD8025-12MB | A32655 | OD1225-12HB | TA600 DC Series | |
| C34246 | OD4010-05HB | M33411 | OD8025-24MB | A32670 | OD1225-24HB | A32550 | OD172SAP-12HB |
| C34247 | OD4010-05MB | M33412 | OD8025-12MB | A32675 | OD1225-12MB | A32590 | OD172SAP-12HHB |
| TA200 DC | | M33413 | OD8025-24MB | A32680 | OD1225-24MB | A32600 | OD172SAP-24HHB |
| C34573 | OD5010-12HB | M33414 | OD8025-12LB | A32685 | OD1225-12LB | A33115 | OD172SAP-12MB |
| C34574 | OD5010-24HB | M33415 | OD8025-24LB | A32690 | OD1225-24LB | A33142 | OD172SAP-24MB |
| TA225 DC | | A33245 | OD8015-12HB | A34350 | OD1225-24HB | A33230 | OD172SAP-48HHB |
| M33394 | OD6025-12LB | A33315 | OD8015-12HHB | A34362-16 | OD127-48HB | A30318 | OA172SAPL-11-1TB |
| M33397 | OD6025-24LB | TA350 | | B31256 | OD1238-12HB | A30322 | OA172SAPL-22-1TB |
| M33399 | OD6025-12LB | M33416 | OD9225-12LB | B31257 | OD1238-24HB | TA1000 | |
| M33401 | OD6025-24LB | M33417 | OD9225-24LB | B31276 | OD1238-12HB | A30436 | OA254AN-11-2TB |
| M33402 | OD6025-12LB | A33418 | OD9225-12MB | B31277 | OD1238-24HB | A30230 | OA254AP-22-1TB |
| M33403 | OD6025-24LB | M33419 | OD9225-24MB | B31668-16 | OD1238-12LB | A30205 | OA254AP-11-1TB |
| M33404 | OD6025-12MB | M33420 | OD9225-12HB | B31787-16 | OD1238-24LB | GAMMA 28 | |
| M33405 | OD6025-24MB | M33421 | OD9225-24HB | B31873 | OD1238-12MB | A34124 | ODB7530-12HB |
| M33455 | OD6025-12HB | M33422 | OD9225-12HHB | B32347-16 | OD1238-12LB | | |
| M33497 | OD6025-24HB | M33423 | OD9225-24HHB | B32832-16 | OD1238-12LB | | |
| R33965-33 | OD6015-12HB | TA450 | | B32837 | OD1238-24MB | | |
| R34150 | OD6015-24HB | A28678 | OA109AP-22-1 | B32861 | OD1238-48HB | | |



| ETRI | ORION | ETRI | ORION | ETRI | ORION | ETRI | ORION |
|----------------|----------------|----------------|----------------|-----------------|----------------|-----------------|------------------|
| 98XH-2182-000 | OA125-11-1TS | 125XR-2281-010 | OA109AP-22-1TS | 129LG-0282-010 | OA109AP-11-2TB | 144LV-2282-010 | OA109AP-11-3TS |
| 98XH-0182-020 | OA125-11-1TB | 125XR-0281-010 | OA109AP-22-1TB | 129LG-2281-090 | OA109AP-22-2TS | 144LV-0282-010 | OA109AP-11-3TB |
| 98XH-2181-000 | OA125-22-1TS | 125LG-2282-010 | OA109AP-11-2TS | 129LG-0281-010 | OA109AP-22-2TB | 144LV-2281-010 | OA109AP-22-3TS |
| 98XH-0181-000 | OA125-22-1TB | 125LG-0282-010 | OA109AP-11-2TB | 129XL-2282-030 | OA109AP-11-3TS | 144LV-0281-010 | OA109AP-22-3TB |
| 98XC-2182-000 | OA125-11-3TS | 125LG-2281-090 | OA109AP-22-2TS | 129XL-0282-010 | OA109AP-11-3TB | 146DF-2182-004 | OA825AP-11-1TS |
| 98XC-0182-000 | OA125-11-3TB | 125LG-0281-010 | OA109AP-22-2TB | 129XL-2281-030 | OA109AP-22-3TS | 146DF-0182-004 | OA825AP-11-1TB |
| 98XC-2181-000 | OA125-22-3TS | 125XL-2282-030 | OA109AP-11-3TS | 129xL-0281-010 | OA109AP-22-3TS | 146DF-2181-000 | OA825AP-22-1TS |
| 98XC-0181-000 | OA125-22-3TB | 125XL-0282-010 | OA109AP-11-3TB | 141LS-2282-010 | OA109AP-11-1TS | 146DF-0181-000 | OA825AP-22-1TB |
| 99XU-2182-000 | OA92AP-11-1TS | 125XL-2281-030 | OA109AP-22-3TS | 141LS-0282-010 | OA109AP-11-1TB | 146DJ-2182-030 | OA825AP-11-2TS |
| 99XU-0182-000 | OA92AP-11-1TB | 125XL-0281-010 | OA109AP-22-2TB | 141LS-2281-010 | OA109AP-22-1TS | 146DJ-0182-004 | OA825AP-11-2TB |
| 99XU-2181-000 | OA92AP-22-1TS | 126LF-2182-000 | OA80AP-11-1TS | 141LS-0281-010 | OA109AP-22-1TB | 148VK-0282-010 | OA172SAPL-11-1TB |
| 99XU-0181-000 | OA92AP-22-1TB | 126LF-0182-000 | OA80AP-11-1TB | 141LT-2282-010 | OA109AP-11-2TS | 148VK-0281-030 | OA172SAPL-22-1TB |
| 99XW-2182-000 | OA92AP-11-2TS | 126LF-2181-000 | OA80AP-22-1TS | 141LT-00282-010 | OA109AP-11-2TB | 148VP-0282-030 | OA172SAPL-11-1TB |
| 99XWU-0182-000 | OA92AP-22-1TB | 126LF-0181-000 | OA80AP-22-1TB | 141LT-2281-010 | OA109AP-22-2TS | 148VP-0281-030 | OA172SAPL-22-1TB |
| 99XW-0182-000 | OA92AP-11-2TB | 126LJ-2182-000 | OA80AP-11-2TS | 141LT-00281-010 | OA109AP-22-2TB | 148VE-0282-030 | OA172SAPL-11-1TB |
| 99XW-2181-000 | OA92AP-22-2TS | 126LJ-0182-000 | OA80AP-11-2TB | 141LV2282-010 | OA109AP-11-3TS | 148VE-0281-030 | OA172SAPL-22-1TB |
| 99XW-0181-000 | OA92AP-22-2TB | 126LJ-2181-000 | OA80AP-22-2TS | 141LV-0282-010 | OA109AP-11-3TB | 154DA-0282-030 | OA172SAPL-11-1TB |
| 99XM-2182-000 | OA92AP-11-1TS | 126LJ-0181-000 | OA80AP-22-2TB | 141LV-2281-010 | OA109AP-22-3TS | 154DA-0281-030 | OA172SAPL-22-1TB |
| 99XM-0182-000 | OA92AP-11-1TB | 126LH-2182-000 | OA80AP-11-3TS | 141LV0281-010 | OA109AP-22-3TB | 154DE-0282-030 | OA172SAPL-11-1TB |
| 99XM-2181-000 | OA92AP-22-1TS | 126LH-0182-000 | OA80AP-11-3TB | 144LS-2282-010 | OA109AP-11-1TS | 154DE-0281-030 | OA172SAPL-22-1TB |
| 99XM-0181-000 | OA92AP-22-1TB | 126LH-2181-000 | OA80AP-22-3TS | 144LS0282-010 | OA109AP-11-1TB | 154DG-0282-030 | OA172SAPL-11-1TB |
| 113XN-2182-000 | OA93AP-11-1TS | 126LH-0181-000 | OA80AP-22-3TB | 144LS-2281-010 | OA109AP-22-1TS | 154DG-0281-030 | OA172SAPL-22-1TB |
| 113XN-0182-000 | OA93AP-11-1TB | 129XR-2282-010 | OA109AP-11-1TS | 144LS-0281-010 | OA109AP-22-1TB | 235D3-1LP11-000 | OD1238-12HB |
| 113XN-2181-000 | OA93AP-22-1TS | 129XR-0282-010 | OA109AP-11-1TB | 144LT-2282-010 | OA109AP-11-2TS | 337D3-9LP11-00 | OD127-48 |
| 113XN-0181-000 | OA93AP-22-1TB | 129XR-2281-010 | OA109AP-22-1TS | 144LT-0282-010 | OA109AP-11-2TB | | |
| 125XR-2282-010 | OA109AP-11-1TS | 129XR-0281-010 | OA109AP-22-1TB | 144LT-2281-010 | OA109AP-22-2TS | | |
| 125XR-0282-010 | OA109AP-11-1TB | 129LG-2282-010 | OA109AP-11-2TS | 144LT-0281-010 | OA109AP-22-2TB | | |

| ADDA | ORION | ADDA | ORION | ADDA | ORION | ADDA | ORION |
|----------------|------------------|----------------|-----------------|----------------|----------------|----------------|-----------------|
| AD1212HB-A71GL | OD1225-12HB | AD1224HB-F53 | OD1238-24HB0120 | AD0612HB-D70GL | OD6015-12HB | AD0812HB-A73GL | OD8025-12HB01A |
| AD1212HB-A73GL | OD1225-12HB01A | AD1224LB-F51 | OD1238-24LB | AD0612LB-D70GL | OD6015-12LB | AD0812LB-A70GL | OD8025-12LB |
| AD1212LB-A71GL | OD1225-12LB | AD1224MB-F51 | OD1238-24MB | AD0612MB-D70GL | OD6015-12MB | AD0812MB-A70GL | OD8025-12MB |
| AD1212MB-A71GL | OD1225-12MB | AD1248HB-F53 | OD1238-48HB01A | AD0624HB-D70GL | OD6015-24HB | AD0824HB-A70GL | OD8025-24HB |
| AD1224HB-A71GL | OD1225-24HB | AD0212HB-G50GL | OD2510-12HB | AD0624LB-D70GL | OD6015-24LB | AD0824HB-A73GL | OD8025-24HB0120 |
| AD1224HB-A73GL | OD1225-24HB01A | AD0212HB-G53 | OD2510-12HB01A | AD0624MB-D70GL | OD6015-24MB | AD0824HB-A73GL | OD8025-24HB01A |
| AD1224LB-A71GL | OD1225-24LB | AD0312HB-G50 | OD3010-12HB | AD0612HB-A70GL | OD6025-12HB | AD0824LB-A70GL | OD8025-24LB |
| AD1224MB-A71GL | OD1225-24MB | AD0312MB-G50 | OD3010-12MB | AD0612LB-A70GL | OD6025-12LB | AD0824MB-A70GL | OD8025-24MB |
| AD1212MB-Y51 | OD1232-12HB | AD0405HB-G70 | OD4010-05HB | AD0612MB-A70GL | OD6025-12MB | AD0812HB-Y51 | OD8032-12HB0120 |
| AD1212MB-Y51 | OD1232-12HB04 | AD0412HB-G70 | OD4010-12HB | AD0624HB-A70GL | OD6025-24HB | AD0824HB-Y51 | OD8032-24HB |
| AD1212MB-Y51 | OD1232-12MB | AD0412HB-G73 | OD4010-12HB01A | AD0624HB-A70GL | OD6025-24HB01A | AD0912HB-A70GL | OD9225-12HB |
| AD1224HB-Y51 | OD1232-24HB | AD0424HB-G76 | OD4010-24HB01A | AD0624LB-A70GL | OD6025-24LB | AD0912HB-A71GL | OD9225-12HB01A |
| AD1224HB-Y51 | OD1232-24HB04 | AD0412HB-C50 | OD4020-12HB | AD0624MB-A70GL | OD6025-24MB | AD0912LB-A70GL | OD9225-12LB |
| AD1212HB-F51 | OD1238-12HB | AD0412HB-C53 | OD4020-12HB01A | AD0812HB-D70 | OD8015-12HB | AD0912MB-A70GL | OD9225-12MB |
| AD1212HB-F53 | OD1238-12HB0120 | AD0412LB-C50 | OD4020-12LB | AD0812LB-D71 | OD8015-12LB | AD0924HB-A70GL | OD9225-24HB |
| AD1212HB-F51 | OD1238-12HB01A | AD0412MB-C50 | OD4020-12MB | AD0812MB-D70 | OD8015-12MB | AD0924HB-A76GL | OD9225-24HB01A |
| AD1212LB-F50 | OD1238-12LB | AD0424HB-C50 | OD4020-24HB | AD0824HB-D70 | OD8015-24HB | AD0924LB-A70GL | OD9225-24LB |
| AD1212MB-F51 | OD1238-12MB | AD0424LB-C50 | OD4020-24LB | AD0824HB-D70 | OD8015-24LB | AD0924MB-A70GL | OD9225-24MB |
| AD1224HB-F51 | OD1238-24HB | AD0424MB-C50 | OD4020-24MB | AD0824MB-D71 | OD8015-24MB | | |
| AD1224HB-F53 | OD1238-24HB01 | AD0412HB-B33 | OD4028-12HB01A | AD0812HB-A70GL | OD8025-12HB | AD7512HX-LF | OD8025-12HB |
| AD1212HS-F51 | OD1238-12HS | AD0412LX-G70 | OD4010-12LB | AD0512HB-G70 | OD5010-12HB | | |
| AD0812HX-A70 | OD8025-12HB | AD0412HX-G71 | OD4010-12HB | AD0512LX-G70 | OD5010-12LB | | |
| AD0824US-A71 | OD8025-24HHB | AD0412MX-G70 | OD4010-12MB | AD0612UB-A70 | OD6025-12HHB | | |
| AD0824UB-Y53 | OD8032-24HHB0120 | AD0412UB-C50 | OD4020-12HHB | AD0612HX-A71 | OD6025-12HB | | |
| | | AD0624UB-A71 | OD6025-24HHB | AD0612MB-A72 | OD6025-12MB02 | | |



| SUNON | ORION | SUNON | ORION | SUNON | ORION | SUNON | ORION |
|------------------------|---------------------|---------------|--------------|----------------|--------------|-----------------------------|---------------------|
| A1123-HBL | OA109AP-11-1WB | GM1202PFV2-8 | OD2510-12MB | KD2409PTS2 | OD9225-24MS | KDE4812PMV1 | OD1238-48HHB |
| A1123-HBT | OA109AP-11-1TB | GM1203PFV1-8 | OD3010-12HB | KD2409PTS3 | OD9225-24LS | KDE4812PMV2 | OD1238-48HB |
| A1123-HBT | OA4715-12TB | GM1203PFV2-8 | OD3010-12MB | KD2412PMB1 | OD1238-24HHB | KDE4812PMV3 | OD1238-48MB |
| A1123-HSL | OA109AP-11-1WS | GM1204PQV1 | OD4028-12HB | KD2412PMB2 | OD1238-24HB | MA1062-HVL | OA60AP-11-1WB |
| A1123-HST | OA109AP-11-1TS | KD0504PFS1 | OD4010-05HS | KD2412PMB3 | OD1238-24MB | MA2062-HVL | OA60AP-22-1WB |
| A1172-HBTT.C.R | OA172AP-11-1TB | KD0504PFS2 | OD4010-05MS | KD2412PMBX-6A | OD1238-24HHB | MC35101V1-000U-A99 | OD3510-12HSS |
| A1175-HBLT | OA172SAP-11-1WB | KD0504PKB1 | OD4020-05HB | KD2412PTB1-6A | OD1225-24HB | MB45101V2-000U-A99 | OD4510-12HSS |
| A1175-HBLT.C.R | OA172AP-11-1WB | KD0504PKB2 | OD4020-05MB | KD2412PTB2-6A | OD1225-24MB | MB50151V2-000U-A99 | OD5015-12HSS |
| A1175-HBTT | OA172SAP-11-1TB | KD0504PKB3 | OD4020-05LB | KD2412PTB3-6A | OD1225-24LB | PMD1204PQB1-A | OD4028-12HHB |
| A1179-HBL | OA180AP-11-1WB | KD0504PKS1 | OD4020-05HS | KD2412PTB3-6A | OD1225-24HHB | PMD2407PTB1-A (2).GN | OD7025-24HHB |
| A1179-HBT | OA180AP-11-1TB | KD0504PKS2 | OD4020-05MS | KDE0502PFB2-8 | OD2510-05MB | SF11580A1083HBL | OA80AP-11-1WB |
| A1259-HBL | OA254AN-11-1WB | KD0504PKS3 | OD4020-05LS | KDE0504PFV1 | OD4010-05HB | SF11580A1083HSL | OA80AP-11-1WS |
| A1259-HBT | OA254AN-11-1TB | KD0505PFS1 | OD5010-05HS | KDE0504PFV2 | OD4010-05MB | SF11580AT1082HBL | OA825AP-11-1WB |
| A1259-MBL | OA254AN-11-2WB | KD0505PKS2 | OD5010-05MS | KDE0504PKV1 | OD4020-05HB | SF11580AT1082HSL | OA825AP-11-1WS |
| A1259-MBT | OA254AP-11-1WB | KD1204PFB3 | OD4010-12MB | KDE0504PKV2 | OD4020-05MB | SF11592A1092HBL | OA92AP-11-1WB |
| A1259-MBT | OA254AN-11-2TB | KD1204PFS1 | OD4010-12HS | KDE0504PKV3 | OD4020-05LB | SF11592A1092HBT | OA92AP-11-1TB |
| A1259-MBT | OA254AP-11-1TB | KD1204PFS2 | OD4010-12MB | KDE0505PFV1 | OD5010-05HB | SF11592A1092HSL | OA92AP-11-1WS |
| A2123-HBL | OA109AP-22-1WB | KD1204PKB1 | OD4020-12HB | KDE0505PFV2 | OD5010-05MB | SF11592A1092HST | OA92AP-11-1TS |
| A2123-HBT | OA109AP-22-1TB | KD1204PKB2 | OD4020-12MB | KDE1202PFV2-8 | OD2510-12MB | SF11592A1092MBL | OA92AP-11-2WB |
| A2123-HBT | OA4715-23TB | KD1204PKB3 | OD4020-12LB | KDE1204PFV1 | OD4010-12HB | SF11592A1092MBT | OA92AP-11-2TB |
| A2123-HSL | OA109AP-22-1WS | KD1204PKB3 | OD4020-12HHB | KDE1204PFV2 | OD4010-12MB | SF11592A1092MSL | OA92AP-11-2WS |
| A2123-HST | OA109AP-22-1TS | KD1204PKS1 | OD4020-12HS | KDE1204PKB4 | OD4020-12HHB | SF11592A1092MST | OA92AP-11-2TS |
| A2175-HBLT | OA172SAP-22-1WB | KD1204PKS2 | OD4020-12MS | KDE1204PKB5 | OD4020-12HHB | SF1212ADBL | OA109AP-11/22-1WB |
| A2175-HBLT.C.R | OA172AP-22-1WB | KD1204PKS3 | OD4020-12LS | KDE1204PKV1 | OD4020-12HB | SF1212ADSL | OA109AP-11/22-1WS |
| A2175-HBTT | OA172SAP-22-1TB | KD1204PKSX | OD4020-12HHS | KDE1204PKV2 | OD4020-12MB | SF223092A2092MSL | OA92AP-22-2WS |
| A2175-HBTT.C.R | OA172AP-22-1TB | KD1205PFS1 | OD5010-12HS | KDE1204PKV3 | OD4020-12LB | SF23080A2083HBL | OA80AP-22-1WB |
| A2179-HBL | OA180AP-22-1WB | KD1205PFS2 | OD5010-12MS | KDE1204PKVX | OD4020-12HHB | SF23080A2083HSL | OA80AP-22-1WS |
| A2179-HBT | OA180AP-22-1TB | KD1206PFS1 | OD6010-12HS | KDE1205PFV1 | OD5010-12HB | SF23080AT2082HSL | OA825AP-22-1WS |
| A2259-HBL | OA254AN-22-1WB | KD1206PFS2 | OD6010-12MS | KDE1205PFV2 | OD5010-12MB | SF2308AT2082HBL | OA825AP-22-1WB |
| A2259-HBT | OA254AN-22-1TB | KD1206PFS3 | OD6010-12LS | KDE1206PFB2 | OD6010-12HB | SF23092A2092HBL | OA92AP-22-1WB |
| A2259-MBL | OA254AN-22-2WB | KD1206PHS1 | OD6015-12HS | KDE1206PFV1 | OD6010-12HB | SF23092A2092HBT | OA92AP-22-1TB |
| A2259-MBL | OA254AP-11-1WB | KD1206PHS2 | OD6015-12MS | KDE1206PFV2 | OD6010-12MB | SF23092A2092HSL | OA92AP-22-1WS |
| A2259-MBT | OA254AN-22-2TB | KD1206PHS3 | OD6015-12LS | KDE1206PFV3 | OD6010-12LB | SF23092A2092HST | OA92AP-22-1TS |
| A2259-MBT | OA254AP-11-1TB | KD1206PKB1 | OD6020-12HB | KDE1206PHV1 | OD6015-12HB | SF23092A2092MBL | OA92AP-22-2WB |
| DP102A1123MBT | OA109AP-11-2TB | KD1206PKB2 | OD6020-12MB | KDE1206PHV2 | OD6015-12MB | SF23092A2092MBT | OA92AP-22-2TB |
| DP2000A2123XST | OA109AP-22-1TS | KD1206PKS1 | OD6020-12HS | KDE1206PHV3 | OD6015-12LB | SF23092A2092MST | OA92AP-22-2TS |
| DP200A2123XBL | OA109AP-22-1WB | KD1206PKS2 | OD6020-12MS | KDE1206PKV1 | OD6020-12HB | SP100A1123XBL | OA109AP-11-1WB |
| DP200A2123XBT | OA109AP-22-1TB | KD1206PTB1 | OD6025-12HB | KDE1206PKV2 | OD6020-12MB | SP100A1123XBT | OA109AP-11-1TB |
| DP200A2123XBT | OA4715-23TB | KD1206PTB2 | OD6025-12MB | KDE1206PKVX | OD6020-12HHB | SP100A1123XBT | OA4715-12TB |
| DP200A2123XSL | OA109AP-22-1WS | KD1206PTS1 | OD6025-12HS | KDE1206PTV1 | OD6025-12HB | SP100A1123XSL | OA109AP-11-1WS |
| DP201A1123LST | OA175AP-11-3TS | KD1206PTS2 | OD6025-12MS | KDE1206PTV2 | OD6025-12MB | SP100A1123XST | OA109AP-11-1TS |
| DP201A2123HBL | OA109AP-22-1WB | KD1208PHB2 | OD8015-12HB | KDE1206PTVX | OD6025-12HHB | SP101A1123HBL | OA109AP-11-1WB |
| DP201A2123HBT | OA109AP-22-1TB | KD1208PHB3 | OD8015-12MB | KDE1208PHV3 | OD6015-12MB | SP101A1123HBT | OA109AP-11-1TB |
| DP201A2123HBT | OA4715-23TB | KD1208PTB1 | OD8025-12HHB | KDE1208PTV1 | OD8025-12HHB | SP101A1123HBT | OA4715-12TB |
| DP201A2123HST | OS109SP-22-1TS | KD1208PTB2 | OD8025-12HB | KDE1208PTV2 | OD8025-12HB | SP101A1123HST | OA109AP-11-1WS |
| DP201A2133HSL | OA109AP-22-1WS | KD1208PTB3 | OD8025-12MB | KDE1208PTV2 | OD8025-24HB | SP101A1123HSL | OA109AP-11-1TS |
| DP201A2122HBL | OA125AP-22-1WB | KD1208PTS2 | OD8025-12HS | KDE1208PTV3 | OD8025-12MB | SP101AT1122HBL | OA125AP-11-1WB |
| DP201A2122HBT | OA125AP-22-1TB | KD1208PTS3 | OD8025-12MS | KDE1209PTV1 | OD9225-12HB | SP101AT1122HBT | OA125AP-11-1TB |
| DP201A2122HSL | OA125AP-22-1WS | KD1209PTB1 | OD9225-12MB | KDE1209PTV2 | OD9225-12MB | SP101AT1122HSL | OA125AP-11-1WS |
| DP201A2122HST | OA125AP-22-1TS | KD1209PTB2 | OD9225-12HB | KDE1209PTV3 | OD9225-12LB | SP101AT1122HST | OA125AP-11-1TS |
| DP202A2123MBL | OA109AP-22-2WB | KD1209PTB3 | OD9225-12LB | KDE1212PMV1 | OD1238-12HHB | SP102A1123MBL | OA109AP-11-2WB |
| DP202A2123MBT | OA109AP-22-2TB | KD1209PTS1 | OD9225-12HS | KDE1212PMV2 | OD1238-12HB | SP102A1123MSL | OA109AP-11-2WS |
| DP202A2123MST | OA109AP-22-2WS | KD1209PTS2 | OD9225-12MS | KDE1212PMV3 | OD1238-12MB | SP102A1123MST | OA109AP-AA-2TS |
| DP202A2123MST | OA109AP-22-2TS | KD1209PTS3 | OD9225-12LS | KDE1212PTB1-6A | OD1225-12HB | SP103A1123LBL | OA109SP-11-3WB |
| DP203A2123LBL | OA109AP-22-3WB | KD1212PMB1 | OD1238-12HHB | KDE2404PKV1 | OD4020-24HB | SP103A1123LBT | OA109AP-11-3TB |
| DP203A2123LBT | OA109AP-22-3TB | KD1212PMB2 | OD1238-12HB | KDE2404PKV2 | OD4020-24MB | SP103A1123SL | OA109AP-11-3WS |
| DP203A2123LSL | OA109AP-22-3WS | KD1212PMB3 | OD1238-12MB | KDE2404PKVX | OD4020-24HHB | SP103A1123LST | OA109AP-11-3TS |
| DP203A2123LST | OA109AP-22-3TS | KD1212PMB4-6A | OD1238-12LB | KDE2405PTV1 | OD9225-24HB | SP103AT1122LBL | OA125AP-11-3WB |
| DP203AT2122LBL | OA125AP-22-3WB | KD1212PMBX-6A | OD1238-12HHB | KDE2406PKV1 | OD6020-24HB | SP103AT1122LBT | OA125AP-11-3TB |
| DP203AT2122LBT | OA125AP-22-3TB | KD1212PTB2-6A | OD1225-12MB | KDE2406PKV2 | OD6020-24MB | SP103AT1122LSL | OA125AP-11-3WS |
| DP203AT2122LSL | OA125AP-22-3WS | KD1212PTB3-6A | OD1225-12LB | KDE2406PKVX | OD6020-24HHB | SP103AT1122LST | OA125AP-11-3TS |
| DP203AT2122LST | OA125AP-22-3TS | KD2406PTB1 | OD6025-24HB | KDE2406PTV1 | OD6025-24HB | SP109WR1123HBL | OA109AP-11-1WB |
| DP209WR-2123HBL | OA109AP-22-1WB | KD2408PHB2 | OD8015-24HB | KDE2406PTV2 | OD6025-24MB | SP109WR1123HBT | OA109AP-11-1TB |
| DP209WR2123HBT | OA109AP-22-1TB | KD2408PHB3 | OD8015-24MB | KDE2406PTVX | OD6025-24HHB | SP109WR1123HBT | OA4715-12TB |
| DP209WR2123HBT | OA4715-23TB | KD2408PTB1 | OD8025-24HHB | KDE2408PTS2 | OD8025-24HS | SP109WR1123HSL | OA109AP-11-1WS |
| DP209WR2123HSL | OA109AP-22-1WS | KD2408PTB2 | OD8025-24HB | KDE2408PTV1 | OD8025-24HHB | SP109WR1123HST | OA109AP-11-1TS |
| DP209WR2123HST | OA109AP-22-1TS | KD2408PTB3 | OD8025-24MB | KDE2408PTV3 | OD8025-24MB | | |
| GM0502PFV1-8 | OD2510-05HB | KD2408PTS3 | OD8025-24MS | KDE2409PTV2 | OD9225-24MB | PMB1275PNB3-AY | ODB7530-12HB |
| GM0502PFV2-8 | OD2510-05MB | KD2409PTB1 | OD9225-24HB | KDE2409PTV3 | OD9225-24LB | PMB1297PYB2-AY | ODB9733-12HB |
| GM0503PFV1-8 | OD3010-05HB | KD2409PTB2 | OD9225-24MB | KDE2412PMV1 | OD1238-24HHB | PMB2475PNB3-AY | ODB7530-24HB |
| GM0504PEV1-8.GN | OD4006-05HSS | KD2409PTB3 | OD9225-24LB | KDE2412PMV2 | OD1238-24HB | PMB2497PYB2-AY | ODB9733-24HB |
| GM1202PFV1-8 | OD2510-12HB | KD2409PTS1 | OD9225-24HS | KDE2412PMV3 | OD1238-24MB | PMB4897PYB2-AY | ODB9733-48HB |

OEM Price List *



AC & DC Fans, Blowers and Trays

| AC Fans | | | |
|-------------------|----------|----------|---------|
| Series No. | VAC | Ball | Sleeve |
| OA60 | 115, 230 | \$16.00 | \$14.50 |
| OA825 | 115, 230 | \$16.00 | \$14.50 |
| OA80 | 115, 230 | \$14.50 | \$13.00 |
| OA92 | 115, 230 | \$16.00 | \$14.50 |
| OA938 | 115, 230 | \$16.00 | \$14.50 |
| OA125 | 115, 230 | \$16.00 | \$14.50 |
| OA109 Standard | 115, 230 | \$15.50 | \$14.00 |
| OA109 XC | 115, 230 | \$21.75 | N/A |
| O4715 Challenger | 115, 230 | \$12.50 | N/A |
| OA109 (AIOS) | 115, 230 | \$15.50 | \$14.00 |
| OA109 Smart Fan | 115, 230 | \$21.00 | N/A |
| OA119 | 115, 230 | \$26.50 | \$22.00 |
| OA162 | 115, 230 | \$40.00 | N/A |
| OA5920 Challenger | 115, 230 | \$31.50 | N/A |
| OA172 | 115, 230 | \$41.00 | N/A |
| OA172 XC | 115, 230 | \$45.50 | N/A |
| OA172SAPL | 115, 230 | \$40.50 | N/A |
| OA180 | 115, 230 | \$75.50 | N/A |
| OA180APL | 115, 230 | \$75.50 | N/A |
| OA200EC | 115, 230 | \$135.00 | N/A |
| OA225 | 115, 230 | \$110.00 | N/A |
| OA254AP | 115, 230 | \$66.00 | N/A |
| OA254AN | 115, 230 | \$73.50 | N/A |
| OA254AN XC | 115, 230 | \$77.00 | N/A |
| OA280 | 115, 230 | \$150.00 | N/A |

| AC Fans - All Metal/Industrial | | |
|--------------------------------|----------|----------|
| Part No. | VAC | Ball |
| OA80AP all metal | 115, 230 | \$24.25 |
| OA938AP all metal | 115, 230 | \$25.25 |
| OA109AP all metal | 115, 230 | \$25.50 |
| OA119AP all metal | 115, 230 | \$31.25 |
| OA172SAP all metal | 115, 230 | \$46.75 |
| OA172AP all metal | 115, 230 | \$48.25 |
| OA162AP all metal | 115, 230 | \$48.25 |
| OA180APL all metal | 115, 230 | \$82.95 |
| OA180AN all metal | 115, 230 | \$84.10 |
| OA200AN all metal | 115, 230 | \$92.75 |
| OA205AN all metal | 115, 230 | \$97.35 |
| OA225 all metal | 115, 230 | \$135.00 |
| OA280 all metal | 115, 230 | \$150.00 |
| OA2543AN all metal | 115, 230 | \$109.75 |
| OA2547AN all metal | 115, 230 | \$112.00 |

| AC Fans - IP55 Rated | | |
|----------------------|----------|---------|
| Series No. | VAC | Ball |
| OA109AP | 115, 230 | \$20.60 |
| OA172SAPL | 115, 230 | \$43.50 |
| OA172SAP | 115, 230 | \$44.17 |

| AC Fans - Salt-Fog | | |
|--------------------|----------|---------|
| Series No. | VAC | Ball |
| OA109AP | 115, 230 | \$36.00 |
| OA172SAP | 115, 230 | \$61.00 |
| OA172SAP (XC) | 115, 230 | \$70.00 |
| OA254AP | 115, 230 | \$84.75 |

| AC Fans Dual Voltage 115/230 VAC | | | |
|----------------------------------|----------------|---------|---------|
| Series No. | VAC | Ball | Sleeve |
| OA825 | 115 / 230 Dual | \$21.00 | \$18.00 |
| OA80 | 115 / 230 Dual | \$21.00 | \$18.00 |
| OA92 | 115 / 230 Dual | \$21.00 | \$18.00 |
| OA938 | 115 / 230 Dual | \$21.00 | \$18.00 |
| OA125 | 115 / 230 Dual | \$21.00 | \$18.00 |
| OA109 | 115 / 230 Dual | \$21.00 | \$18.00 |
| OA119 | 115 / 230 Dual | \$31.00 | \$27.50 |

| Louvered Filter Fan Kits (Includes AC Fan, Filter, Louvered Guard, Metal Guard & Hardware) | |
|---|----------|
| Series No. | Price |
| OA109LFG | \$34.50 |
| OA172LFG | \$60.50 |
| OA172LFG XC | \$61.50 |
| OA225LFG | \$180.00 |
| OA254LFG | \$110.00 |
| OA254LFG XC | \$106.00 |
| OA280LFG | \$220.00 |

| Spot Coolers | | |
|-----------------|---------------|---------|
| Model No. | Voltage Input | Ball |
| OD9225-SPOT | 115 | \$32.00 |
| OD1232-SPOT | 115 | \$36.00 |
| OD1232-SPOT/DIN | 115 | \$44.00 |

* Pricing indicated is for OEM's and is for 100 pcs. For larger quantity pricing please check with one of our franchised distributors or with our customer service. Check our website to locate a distributor in your area.

OEM Price List



AC & DC Fans, Blowers and Trays

| DC Fans ** | | | |
|-------------|------------|---------|---------|
| Series No. | VDC | Ball | Sleeve |
| OD2510 | 5, 12 | \$13.50 | N/A |
| OD3010 | 5, 12 | \$9.00 | CALL |
| OD3510 | 5, 12 | \$9.00 | CALL |
| OD4010 | 5, 12, 24 | \$9.00 | CALL |
| OD4010 SS | 12, 24 | N/A | \$4.65 |
| OD4015 | 5, 12, 24 | \$9.00 | CALL |
| OD4020 | 5, 12, 24 | \$9.00 | CALL |
| OD4020 SS | 12, 24 | N/A | \$4.65 |
| OD4028 | 5, 12, 24 | \$10.00 | CALL |
| OD4028 XC | 12 | \$13.00 | N/A |
| OD5010 | 5, 12, 24 | \$9.00 | CALL |
| OD5015 | 12, 24 | \$15.00 | CALL |
| OD5210 | 5, 12, 24 | \$9.00 | CALL |
| OD6010 | 5, 12, 24 | \$9.00 | CALL |
| OD6015 | 5, 12, 24 | \$9.00 | CALL |
| OD6020 | 5, 12, 24 | \$9.00 | CALL |
| OD6025 | 5, 12, 24 | \$9.00 | CALL |
| OD6025 | 48 | \$12.00 | CALL |
| OD6025-60LB | 60 | \$12.50 | N/A |
| OD6025 SS | 12, 24 | N/A | \$4.65 |
| OD6025 IP55 | 12 | \$12.00 | N/A |
| OD7015 | 12 | \$9.00 | N/A |
| OD7020 | 12 | \$9.00 | N/A |
| OD7025 | 12, 24 | \$9.00 | N/A |
| OD7025 XC | 12 | \$10.00 | N/A |
| OD8015 | 5, 12, 24 | \$9.00 | CALL |
| OD8025 | 5, 12, 24 | \$9.00 | CALL |
| OD8025 | 48 | \$12.00 | CALL |
| OD8025 SS | 12, 24 | N/A | \$4.65 |
| OD8025 IP55 | 12 | \$12.00 | N/A |
| OD8032 | 12, 24 | \$12.00 | CALL |
| OD8032 | 48 | \$14.00 | CALL |
| OD8038 | 12, 24, 48 | \$16.00 | N/A |
| OD9220 | 12, 24 | \$10.00 | CALL |
| OD9225 | 12, 24 | \$10.00 | CALL |
| OD9225 | 48 | \$12.00 | CALL |
| OD9225-60HB | 60 | \$13.50 | N/A |
| OD9225 SS | 12, 24 | N/A | \$4.65 |
| OD9225 IP55 | 12 | \$13.00 | N/A |
| OD9238 | 12, 24 | \$15.00 | CALL |
| OD1225 | 12, 24 | \$15.50 | CALL |
| OD1225 | 48 | \$19.00 | CALL |
| OD1225 SS | 12, 24 | N/A | \$10.00 |
| OD1232 | 12, 24 | \$15.00 | CALL |
| OD1232 | 48 | \$20.00 | CALL |
| OD1238 | 12, 24 | \$17.50 | CALL |
| OD1238 | 48 | \$21.00 | CALL |
| OD1238-60HB | 60 | \$24.00 | N/A |

| DC Fans ** | | | |
|-----------------|------------|----------|---------|
| Series No. | VDC | Ball | Sleeve |
| OD1238 SS | 12, 24 | N/A | \$11.00 |
| OD1238AP(Metal) | 12, 24 | \$19.50 | N/A |
| OD1238 XC | 12, 24 | \$21.00 | N/A |
| OD1238 XC | 48 | \$23.00 | N/A |
| OD1238 HTB | 12, 24 | \$18.50 | N/A |
| OD1238 HTB | 48 | \$24.50 | N/A |
| OD127 | 12, 24 | \$25.00 | N/A |
| OD127 | 48 | \$27.00 | N/A |
| OD127AP(Metal) | 12, 24 | \$31.00 | N/A |
| OD127AP(Metal) | 48 | \$34.00 | N/A |
| OD172SAPL | 12, 24 | \$72.00 | N/A |
| OD172SAPL | 48 | \$74.00 | N/A |
| OD172 | 12, 24 | \$78.50 | N/A |
| OD172 | 48 | \$80.00 | N/A |
| OD180 | 12, 24, 48 | \$110.00 | N/A |
| OD254 | 12, 24 | \$120.00 | N/A |
| OD254 | 48 | \$125.00 | N/A |
| OD280 | 12, 24 | \$285.00 | N/A |
| OD280 | 48 | \$295.00 | N/A |

| High Static Pressure Fans | | |
|---------------------------|------------|---------|
| Series No. | VDC | Ball |
| OD6038 VXC | 12, 24 | \$17.00 |
| OD8038 VXC | 12, 24, 48 | \$17.00 |
| OD9238 VXC | 12, 24, 48 | \$17.00 |
| OD1238 VXC | 12, 24, 48 | \$30.00 |
| OD6038-12HBXC01A | 12 | \$16.50 |
| OD6038-12HBXC10A | 12 | \$17.00 |
| OD6038-12HHBXC01A | 12 | \$16.50 |
| OD6038-12HHBXC10A | 12 | \$17.00 |
| OD6038-12LBXC01A | 12 | \$16.50 |
| OD6038-24HHBXC10A | 24 | \$17.00 |
| OD8038-12HBXE10A | 12 | \$20.00 |
| OD8038-48HBXE10A | 48 | \$20.00 |
| OD9238-12HHBXC10A | 12 | \$22.50 |
| OD1238-12HBXJ01A | 12 | \$26.50 |
| OD1238-12HBXJ10A | 12 | \$26.50 |
| OD1238-12MBXJ01A | 12 | \$26.50 |
| OD1238-12MBXJ10A | 12 | \$26.50 |
| OD1238-24HBXJ01A | 24 | \$26.50 |

OEM Price List



AC & DC Fans, Blowers and Trays

| DC Blowers | | | |
|------------|------------|---------|---------|
| Series No. | VDC | Ball | Sleeve |
| ODB5009 | 12, 24 | \$22.00 | N/A |
| ODB5115 | 12 | \$10.50 | N/A |
| ODB6015 | 12 | \$10.00 | N/A |
| ODB7530 | 12, 24 | \$18.50 | N/A |
| ODB9733 | 12, 24 | \$18.50 | N/A |
| ODB9733 | 48 | \$20.50 | N/A |
| ODB600 | 12, 24 | \$23.50 | \$19.50 |
| ODB600 | 48 | \$27.00 | \$23.00 |
| ODB1232 | 12, 24, 48 | \$20.00 | N/A |

| AC Crossaxial Blowers | | |
|-----------------------|----------|---------|
| Series No. | VAC | Ball |
| OAB30098 | 115, 230 | \$34.00 |
| OAB30160 | 115, 230 | \$37.50 |
| OAB30198 | 115, 230 | \$39.50 |
| OAB30300 | 115, 230 | \$40.50 |
| OAB40098 | 115, 230 | \$36.00 |
| OAB40160 | 115, 230 | \$40.00 |
| OAB40198 | 115, 230 | \$41.50 |
| OAB40300 | 115, 230 | \$42.50 |
| OAB50098 | 115, 230 | \$38.50 |
| OAB50198 | 115, 230 | \$44.50 |
| OAB50298 | 115, 230 | \$48.00 |
| OAB50358 | 115, 230 | \$51.00 |
| OAB60184 | 115, 230 | \$53.00 |
| OAB60245 | 115, 230 | \$55.00 |
| OAB60306 | 115, 230 | \$57.00 |
| OAB60368 | 115, 230 | \$58.50 |
| OAB60429 | 115, 230 | \$60.00 |

| AC & DC FAN TRAYS and AC BLOWERS | | | |
|----------------------------------|-------------------|--------------|----------|
| AC Fan Trays | | | |
| Model No. | Part No. | Vac | Price |
| OMB5200-120 | FTA-520A211(HF) | 120VAC | \$405.00 |
| OMB5200-230 | FTA-520A222(HF) | 230VAC | \$405.00 |
| OA300S (short) | FTA-03115-014(BK) | 115VAC | \$175.00 |
| OA600S (short) | FTA-06115-014(BK) | 115VAC | \$275.00 |
| OA300ST-120 | FTA-018C311(HF) | 120VAC | \$125.00 |
| OA300ST-12003 | FTA-018C311HF(03) | 120VAC | \$150.00 |
| OA300ST-12004 | FTA-018C311HF(04) | 120VAC | \$175.00 |
| OA600ST-120 | FTA-018C611(HF) | 120VAC | \$240.00 |
| OA300 | FTA-03115-018(BK) | 115VAC | \$175.00 |
| OA406 | | 115VAC | \$285.00 |
| OA406-IEC | | 115VAC | \$285.00 |
| OA406-DUAL | | 115/230 | \$327.00 |
| OA406-IEC-DUAL | | 115/230 | \$327.00 |
| OA406-PS | | Power Supply | \$42.00 |
| OA406-IEC-PS | | Power Supply | \$42.00 |
| OA600 | FTA-06115-018(BK) | 115VAC | \$275.00 |
| OA900 | FTA-09115-018(BK) | 115VAC | \$375.00 |
| OA302S (short) | FTA-03220-014(BK) | 230VAC | \$175.00 |
| OA602S (short) | FTA-06220-014(BK) | 230VAC | \$275.00 |
| OA300ST-230 | FTA-018C322(HF) | 230VAC | \$125.00 |
| OA300ST-23003 | FTA-018C322HF(03) | 230VAC | \$150.00 |
| OA300ST-23004 | FTA-018C322HF(04) | 230VAC | \$175.00 |
| OA600ST-230 | FTA-018C622(HF) | 230VAC | \$240.00 |
| OA302 | FTA-03220-018(BK) | 230VAC | \$175.00 |
| OA602 | FTA-06220-018(BK) | 230VAC | \$275.00 |
| OA902 | FTA-09220-018(BK) | 230VAC | \$375.00 |
| OA300S-DV (short) | FTA-03DV-014(BK) | 115/230 | \$215.00 |
| OA600S-DV (short) | FTA-06DV-014(BK) | 115/230 | \$345.00 |
| OA300-DV | FTA-03DV-018(BK) | 115/230 | \$215.00 |
| OA600-DV | FTA-06DV-018(BK) | 115/230 | \$345.00 |
| OA900-DV | FTA-09DV-018(BK) | 115/230 | \$465.00 |

| AC Blowers / Motorized Impellers | | | |
|----------------------------------|----------|----------|---------|
| Series No. | VAC | Ball | Sleeve |
| OAB190 | 115, 230 | \$87.50 | N/A |
| OAB220 | 115, 230 | \$91.50 | N/A |
| OAB22599 | 115, 230 | \$100.00 | N/A |
| OAB250 | 115, 230 | \$97.00 | N/A |
| OAB318 | 115, 230 | \$160.00 | N/A |
| OAB360 | 115, 230 | \$225.00 | N/A |
| OAB400 | 230 | \$280.00 | N/A |
| OAB800 | 115, 230 | \$27.00 | \$24.50 |
| OAB908 | 115, 230 | \$86.00 | N/A |
| Duct Ring for DR190A | N/A | \$7.00 | N/A |
| Duct Ring for DR220A | N/A | \$9.00 | N/A |
| Duct Ring for DR22599 | N/A | \$11.00 | N/A |
| Duct Ring for DR250A | N/A | \$12.50 | N/A |
| Duct Ring for DR318A | N/A | \$14.00 | N/A |
| Duct Ring for DR360A | N/A | \$14.25 | N/A |
| Duct Ring for DR400A | N/A | \$15.25 | N/A |

** Add \$3.00 to the OEM price each for special function DC fans: tachometer, thermal control, alarm and PWM

* Pricing indicated is for OEM's and is for 100 pcs. For larger quantity pricing please check with one of our franchised distributors or with our customer service. Check our website to locate a distributor in your area.

OEM Price List



AC & DC Fans, Blowers and Trays

DC Fan Trays

| Model No. | Part No. | VDC | Price |
|-------------------|-------------------|-------|----------|
| OD300S-12 (short) | FTD-03012-014(BK) | 12VDC | \$200.00 |
| OD600S-12 (short) | FTD-06012-014(BK) | 12VDC | \$300.00 |
| OD300-12 | FTD-03012-018(BK) | 12VDC | \$200.00 |
| OD600-12 | FTD-06012-018(BK) | 12VDC | \$300.00 |
| OD900-12 | FTD-09012-018(BK) | 12VDC | \$375.00 |
| OD300S-24 (short) | FTD-03024-014(BK) | 24VDC | \$200.00 |
| OD600S-24 (short) | FTD-06024-014(BK) | 24VDC | \$300.00 |
| OD300-24 | FTD-03024-018(BK) | 24VDC | \$375.00 |
| OD600-24 | FTD-06024-018(BK) | 24VDC | \$300.00 |
| OD900-24 | FTD-09024-018(BK) | 24VDC | \$375.00 |
| OD300S-48 (short) | FTD-03048-014(BK) | 48VDC | \$220.00 |
| OD600S-48 (short) | FTD-06048-014(BK) | 48VDC | \$330.00 |
| OD300-48 | FTD-03048-018(BK) | 48VDC | \$220.00 |
| OD600-48 | FTD-06048-018(BK) | 48VDC | \$330.00 |
| OD900-48 | FTD-09048-018(BK) | 48VDC | \$435.00 |

FAN ACCESSORIES Wire Finger Guards

| Part No. | Price | Part No. | Price |
|-----------|--------|-----------|--------|
| G25-2 | \$0.90 | G119-8 | \$1.45 |
| G40-2 | \$1.00 | G119-18B | \$1.75 |
| G50-3 | \$1.10 | G172-10HA | \$2.20 |
| G60-4 | \$1.10 | G172-10H | \$2.20 |
| G80-18 | \$1.20 | G172-10LN | \$2.50 |
| G80-18B | \$1.50 | G180-11 | \$3.50 |
| G92-16 | \$1.20 | G180-MG18 | \$3.50 |
| G109-15A | \$1.20 | G254-10P | \$3.50 |
| G109-15AB | \$1.50 | G225 | \$4.80 |
| G109-3 | \$1.30 | G280 | \$5.70 |

Wire Mesh Guards

| Part No. | Price | Part No. | Price |
|----------|--------|----------|--------|
| WMG60M | \$3.25 | WMG120M | \$4.25 |
| WMG60B | \$4.25 | WMG120B | \$5.25 |
| WMG80M | \$3.50 | WMG127M | \$5.35 |
| WMG80B | \$4.50 | WMG172M | \$5.50 |
| WMG92M | \$3.75 | WMG172B | \$6.50 |
| WMG92B | \$4.75 | | |

Plastic Guards

| Part No. | Price | Part No. | Price |
|----------|--------|----------|--------|
| G40P | \$0.60 | G92P | \$1.00 |
| G60P | \$0.75 | G120P | \$1.20 |
| G80P | \$0.90 | G172P | \$1.50 |

2-Conductor Fan Cords

| Part No. | Price | Part No. | Price |
|----------|--------|----------|--------|
| C45-12 | \$1.50 | C90-12 | \$1.50 |
| C45-24 | \$1.75 | C90-24 | \$1.75 |
| C45-24P | \$2.55 | C90-36 | \$2.00 |
| C45-36 | \$2.00 | C90-48 | \$2.25 |
| C45-48 | \$2.25 | C90-72 | \$2.75 |
| C45-48P | \$3.05 | C180T-12 | \$1.50 |
| C45-72 | \$2.75 | C180T-24 | \$1.75 |
| C45-72P | \$3.55 | C180T-36 | \$2.00 |
| C45-144 | \$4.15 | C180T-48 | \$2.25 |
| C45-144P | \$4.95 | C180T-72 | \$2.75 |
| C180-12 | \$1.50 | C45-2DC | \$2.75 |
| C180-24 | \$1.75 | C45-3DC | \$3.75 |
| C180-36 | \$2.00 | C45-4DC | \$4.75 |
| C180-48 | \$2.25 | C45-6DC | \$5.75 |
| C180-72 | \$2.75 | C45-9DC | \$9.75 |

Filter Kits

| Part No. | Price | Part No. | Price |
|----------|--------|-----------|--------|
| GRM40-XX | \$1.30 | GRM92-XX | \$2.00 |
| GRM60-XX | \$1.50 | GRM120-XX | \$2.35 |
| GRM80-XX | \$1.70 | GRM172-45 | \$2.85 |

Louvered Fan Guards

| Part No. | Price | Filter Media Replacements (5/pk) | Price |
|----------|---------|----------------------------------|---------|
| LFG80 | \$4.50 | N/A | N/A |
| LFG92 | \$4.50 | N/A | N/A |
| LFG120B | \$5.75 | LFG120BF/PK | \$4.25 |
| LFG172B | \$7.00 | LFG172BF/PK | \$5.50 |
| LFG225B | \$32.17 | LFG280BF/PK | \$11.13 |
| LFG254B | \$15.75 | LFG254BF/PK | \$9.23 |
| LFG280B | \$38.25 | LFG280BF/PK | \$11.13 |

Smart Switched PDUs

| Part No. | Price |
|-------------------|----------|
| OSP-V-20-11-16-N1 | \$650.00 |
| OSP-V-16-23-16-N1 | \$582.50 |
| OSP-H-16-23-08-N1 | \$432.50 |
| OSP-H-15-11-08-N1 | \$330.00 |

Thermal Control Unit

| Part No. | Price |
|----------|----------|
| TCAC001 | \$119.00 |

* Pricing indicated is for OEM's and is for 100 pcs. For larger quantity pricing please check with one of our franchised distributors or with our customerservice. Check our website to locate a distributor in your area. Price in U.S. Dollars and subject to change without notice.

OEM Price List



AC & DC Fans, Blowers and Trays

AC Fan Speed Control Unit

| Part No. | Price |
|-----------|---------|
| OA11/22CB | \$99.00 |

Cage Nuts

| Part No. | Price |
|--------------------------|--------|
| OCN-1032 | \$0.25 |
| OCN-1032PK (packs of 25) | \$5.42 |
| OCN-1032RH | \$0.27 |
| OCN-1032RHPK | \$5.42 |
| OCN-1032RHHDWPK | \$3.50 |
| OCN-1032SCW | \$0.10 |
| OCN-1032SCWPK | \$2.08 |
| OCN-1224 | \$0.25 |
| OCN-1224PK | \$5.42 |
| OCN-1224SCW | \$0.10 |
| OCN-1224SCWPK | \$2.05 |
| OCN-1224WSPK | \$2.50 |
| OCN-M6 | \$0.25 |
| OCN-M6PK | \$5.42 |
| OCN M6RH | \$0.25 |
| OCN-M6SCW | \$0.10 |
| OCN-M6SCWPK | \$2.05 |

Air Flow Monitor Modules

| Part No. | Description | Price |
|-----------|--|---------|
| AFM-01NC | Air Flow Monitor Switch, NC w/ clip and clamp | \$37.50 |
| AFM-01NO | Air Flow Monitor Switch, NO w/ clip and clamp | \$37.50 |
| AFM-80NC | Air Flow Monitor Switch, NC w/ 80mm guard | \$38.75 |
| AFM-80NO | Air Flow Monitor Switch, NO w/ 80mm guard | \$38.75 |
| AFM-92NC | Air Flow Monitor Switch, NC w/ 92mm guard | \$38.75 |
| AFM-92NO | Air Flow Monitor Switch, NO w/ 92mm guard | \$38.75 |
| AFM-120NC | Air Flow Monitor Switch, NC w/ 120mm guard | \$38.75 |
| AFM-120NO | Air Flow Monitor Switch, NO w/ 120mm guard | \$38.75 |
| AFM-KIT | Includes an AFM-01NC, clip, three plastic guards (80, 92, & 120mm), buzzer, LED and holder, switch and power supply. | \$70.00 |

Fan power cords are available in any length or configuration by special order. Please call us for a quote on your custom power cord requirements.

Add \$0.25 per foot for lengths in excess of 72 inches on standard fan cords and lengths in excess of 24 inches on daisy chains.

Add \$0.80 for a NEMA 1-15P AC plug on any cord. (Use suffix "P") Add \$1.00 each for additional daisy chain cord head.

*Pricing indicated is for OEM's and is for 100 pcs. For larger quantity pricing please check with one of our franchised distributors or with our customer service. Check our website to locate a distributor in your area. Price in U.S. Dollars and subject to change without notice.



ORION FANS

10557 Metric Drive

Dallas, Texas 75243

800-323-2439 (Toll Free)

214-340-0265 (P)

214-340-5870 (F)

www.orionfans.com



Knight Electronics

Europe Stocking Location

Solid State Supplies



0916

Данный компонент на территории Российской Федерации

Вы можете приобрести в компании MosChip.

Для оперативного оформления запроса Вам необходимо перейти по данной ссылке:

<http://moschip.ru/get-element>

Вы можете разместить у нас заказ для любого Вашего проекта, будь то серийное производство или разработка единичного прибора.

В нашем ассортименте представлены ведущие мировые производители активных и пассивных электронных компонентов.

Нашей специализацией является поставка электронной компонентной базы двойного назначения, продукции таких производителей как XILINX, Intel (ex.ALTERA), Vicor, Microchip, Texas Instruments, Analog Devices, Mini-Circuits, Amphenol, Glenair.

Сотрудничество с глобальными дистрибьюторами электронных компонентов, предоставляет возможность заказывать и получать с международных складов практически любой перечень компонентов в оптимальные для Вас сроки.

На всех этапах разработки и производства наши партнеры могут получить квалифицированную поддержку опытных инженеров.

Система менеджмента качества компании отвечает требованиям в соответствии с ГОСТ Р ИСО 9001, ГОСТ РВ 0015-002 и ЭС РД 009

Офис по работе с юридическими лицами:

105318, г.Москва, ул.Щербаковская д.3, офис 1107, 1118, ДЦ «Щербаковский»

Телефон: +7 495 668-12-70 (многоканальный)

Факс: +7 495 668-12-70 (доб.304)

E-mail: info@moschip.ru

Skype отдела продаж:

moschip.ru

moschip.ru_4

moschip.ru_6

moschip.ru_9