



MAX5386M Evaluation System

General Description

The MAX5386M evaluation kit (EV kit) is an assembled and tested PCB that features the MAX5386M 50k Ω dual digital potentiometers. The MAX5386M IC features dual volatile 50k Ω 256-tap, potentiometers and communicates through an SPI™-compatible serial interface.

The MAX5386MEVMINIQU+ evaluation system (EV system) includes the EV kit and the MINIQUUSB+ interface board. The MINIQUUSB+ interface board can be used to enable PC communication through the 3-wire serial interface. Windows® 2000-, Windows XP®, and Windows Vista®-compatible software provides a professional user interface for exercising the MAX5386M's features. The program is menu driven and offers a graphical user interface (GUI) complete with buttons, track bars, and edit boxes. The MAX5386M EV kit software can also be used to evaluate the MAX5386L, MAX5386N, MAX5388, MAX5391, and MAX5393. The EV kit can also be interfaced directly to a user-supplied 3-wire system.

The MAX5386M IC can be powered from a 2.6V, 3.3V, or 5V source generated from the MINIQUUSB+ interface board and EV kit circuitry, or a user-supplied external 2.6V to 5.25V DC power supply. Order the MAX5386MEVMINIQU+ for a complete PC-based evaluation of the MAX5386M.

The EV kit also contains PCB footprints for the MAX5388, MAX5391, and MAX5393. To evaluate these parts, order samples and fit the parts in places U4, U2, and U3, respectively.

SPI is a trademark of Motorola, Inc.

Windows, Windows XP, and Windows Vista are registered trademarks of Microsoft Corp.

Features

- ◆ 2.6V to 5.25V Single-Supply Operation
- ◆ PC USB to 3-Wire Interface or Stand-Alone 3-Wire Serial-Interface Operation
- ◆ Easy-to-Use Menu-Driven Software
- ◆ Includes Windows 2000-, Windows XP-, and Windows Vista-Compatible Software
- ◆ Fully Assembled and Tested

Ordering Information

PART	TYPE
MAX5386MEVMINIQU+	EV System

+Denotes lead (Pb)-free and RoHS compliant.

Component Lists

MAX5386M EV System (MAX5386MEVMINIQU+)

PART	QTY	DESCRIPTION
MAX5386MEVKIT+	1	EV kit
MINIQUUSB+	1	Maxim command module

MAX5386M EV Kit (MAX5386MEVKIT+)

DESIGNATION	Qty	DESCRIPTION
C1, C2, C3, C7, C10, C11, C14, C15, C19, C20, C23, C24, C25	13	1 μ F \pm 10%, 16V X5R ceramic capacitors (0603) Murata GRM188R71C105K or TDK C1608X5R1C105K
C4, C8, C12, C16	4	0.1 μ F \pm 10%, 50V X7R ceramic capacitors (0603) Murata GRM188R71H104K or TDK C1608X7R1H104K
C5, C6, C9, C13	0	Not installed, ceramic capacitors (0603)
C26	1	10 μ F \pm 10%, 6.3V X5R ceramic capacitor (0805) Murata GRM21BR60J106K or TDK C2012X5R0J106K
J1	1	2 x 4-pin header
J2	1	2 x 8-pin header
J3	1	8-pin female receptacle
JU1, JU3–JU6, JU8–JU18	16	2-pin headers
JU2, JU7, JU19	3	3-pin headers



MAX5386M Evaluation System

MAX5386M EV Kit (MAX5386MEVKIT+) (continued)

DESIGNATION	Qty	DESCRIPTION
JU20	1	4-pin header
R1	1	40.2kΩ ±1% resistor (0603)
R2	1	100kΩ ±1% resistor (0603)
U1	1	256-tap, 50kΩ dual digital potentiometer (16 TQFN-EP*) Maxim MAX5386MATE+
U2	0	Not installed, digital potentiometer (16 TQFN-EP*)
U3	0	Not installed, digital potentiometer (14 TSSOP)
U4	0	Not installed, digital potentiometer (10 μMAX®)

*EP = Exposed pad.

μMAX is a registered trademark of Maxim Integrated Products, Inc.

DESIGNATION	Qty	DESCRIPTION
U5	1	Adjustable output LDO regulator (5 SC70) Maxim MAX8512EXK+ (Top Mark: ADW)
U6	1	2.6V LDO regulator (5 SC70) Maxim MAX8511EXK26+ (Top Mark: AAW)
U7	1	Single 1.8V to 5V level translator (6 SC70)
U8	1	Dual 1.8V to 5V level translator (8 SSOP)
—	20	Shunts (JU1–JU20)
—	1	PCB: MAX5386/5388/5391/5393 EVALUATION KIT+

Component Suppliers

SUPPLIER	PHONE	WEBSITE
Murata Electronics North America, Inc.	770-436-1300	www.murata-northamerica.com
TDK Corp.	847-803-6100	www.component.tdk.com

Note: Indicate that you are using the MAX5386_, MAX5388, MAX5391, or MAX5393 when contacting these component suppliers.

MAX5386M EV Kit Files

FILE	DESCRIPTION
INSTALL.EXE	Installs the EV kit files on the computer
MAX5386M.EXE	Application program
FTD2XX.INF	USB driver file
UNINST.INI	Uninstalls the EV kit software
USB_Driver_Help.PDF	USB driver installation help file

Quick Start

Required Equipment

- MAX5386M EV system
 - MAX5386M EV kit
 - MINIUSB+ command module (USB cable included)
- User-supplied Windows 2000, Windows XP, or Windows Vista PC with a spare USB port
- One or two multimeters

Note: In the following sections, software-related items are identified by bolding. Text in **bold** refers to items

directly from the EV kit software. Text in **bold and underlined** refers to items from the Windows operating system.

Procedure

The EV kit is fully assembled and tested. Follow the steps below to verify board operation:

- 1) Visit www.maxim-ic.com/evkitsoftware to download the latest version of the EV kit software, 5386MRxx.ZIP. Save the EV kit software to a temporary folder and uncompress the ZIP file.
- 2) Install the EV kit software on the computer by running the INSTALL.EXE program inside the temporary folder. The program files are copied and icons

MAX5386M Evaluation System

Evaluates: MAX5386/MAX5388/MAX5391/MAX5393

- are created in the Windows **Start | Programs** menu.
- 3) Verify that shunts are correctly installed on the jumpers listed in Table 1 for proper operation of the EV kit.
 - 4) Connect the multimeters across the MAX5386M's (U1) WA and LA PCB pads and WB and LB PCB pads.
 - 5) Connect the MINIUSB+ interface board to the EV kit J2 and J3 connectors.
 - 6) Connect the included USB cable from the PC to the MINIUSB+ interface board. A **Building Driver Database** window pops up in addition to a **New Hardware Found** message when installing the USB driver for the first time. If a window similar to the one described above does not appear after 30s, remove the USB cable from the board and reconnect it. Administrator privileges are required to install the USB device driver on Windows 2000/XP and Windows Vista.
 - 7) Follow the directions of the **Add New Hardware Wizard** to install the USB device driver. Choose the **Search for the best driver for your device** option. Specify the location of the device driver to be **C:\Program Files\MAX5386M** (default installation directory) using the **Browse** button. During device driver installation, Windows may show a warning message indicating that the device driver Maxim uses does not contain a digital signature. This is not an error condition and it is safe to proceed with installation. Refer to the USB_Driver_Help.PDF document included with the software if you have problems during this step.
 - 8) Start the EV kit software by opening its icon in the **Start | Programs** menu.
 - 9) Observe as the program automatically detects the USB connection and starts the main program.
 - 10) Using the **Device Connected** combo box, select MAX5386 from the list and then press the **Default** button. The EV kit software main window appears, as shown in Figure 1.

Table 1. Jumper Configuration for MAX5386M EV Kit Operation

JUMPER	SHUNT POSITION	EV KIT FUNCTION
JU1	Installed	1.7V LDO output enabled
	Not installed*	1.7V LDO output disabled
JU2	1-2	MAX5386M VDD voltage not powered
	2-3*	MAX5386M VDD voltage dependent on jumper JU20 configuration
	Not installed	External voltage applied at the EV kit VDD and GND PCB pads
JU3	Not installed*	MAX5386M HA disconnected from the U1 VDD voltage source
	Installed	MAX5386M HA connected to the U1 VDD voltage source
JU4	Not installed	MAX5386M LA disconnected from GND
	Installed*	MAX5386M LA connected to GND
JU5	Not installed*	MAX5386M HB disconnected from the U1 VDD voltage source
	Installed	MAX5386M HB connected to the U1 VDD voltage source
JU6	Not installed	MAX5386M LB disconnected from GND
	Installed*	MAX5386M LB connected to GND
JU20	1-2	VPOWER = 5V
	1-3*	VPOWER = 3.3V
	1-4	VPOWER = 2.6V

*Default position.

MAX5386M Evaluation System

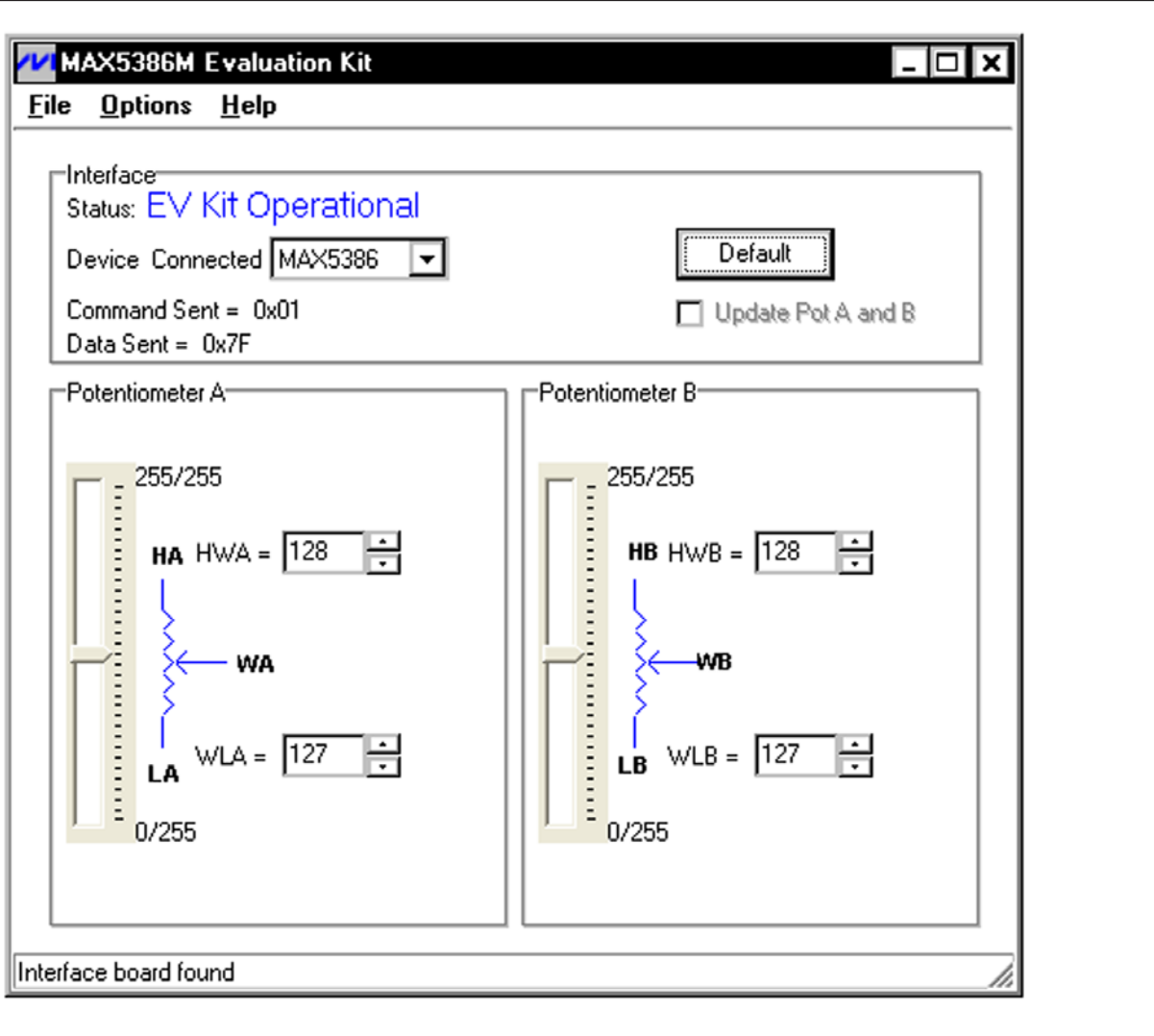


Figure 1. MAX5386M Evaluation Kit Software Main Window

MAX5386M Evaluation System

11) The MAX5386M EV kit is now ready for additional testing.

See the *Detailed Description of Software* section for more information on the software features.

Detailed Description of Software

Graphical User Interface (GUI) Panel

The MAX5386M EV kit software GUI shown in Figure 1 is a Windows program that provides a convenient means to control the MAX5386M dual potentiometer. Use the mouse or press the Tab key to navigate through the GUI controls. The correct SPI write operations are generated to update the MAX5386M internal memory registers when any of these controls are executed.

The software divides the EV kit functions into group boxes. The **Interface** group box indicates the EV kit **Status** and the last write operation **Command Sent** and **Data Sent** indicators. This data confirms proper device operation. The **Device Connected** combo box selects the Maxim part being evaluated and enables the **Update Pot A and B** checkbox function when choosing the MAX5391 or MAX5393 option from the list. The **Default** button programs both potentiometers to their midscale positions. The lower **Potentiometer A** and **Potentiometer B** group boxes provide controls to change the respective wiper positions. The main window's bottom-left status bar provides the USB interface circuit communication status.

The EV kit software can also be used to evaluate the MAX5386L, MAX5386N, MAX5388, MAX5391, and MAX5393.

Software Startup

Upon startup, the EV kit software automatically searches for the USB interface board's circuit connection. In the **Interface** group box, the **Device Connected** combo box allows the user to select the proper part being evaluated. Upon selection of the device being

evaluated, the **Update Pot A and B** checkbox is enabled/disabled. The EV kit enters the normal operating mode when the USB connection is detected and the part has been selected. Since the MAX5386M does not have read capability, all the edit boxes are set to question marks (??) and the **Potentiometer_** track bar is set to mid scale. If the USB connection is not detected, the software prompts the user to retry, exit the program, or enter the demo mode.

Demo Mode

The EV kit software enters the demo mode, when the USB connection is not detected, by selecting **Cancel** on the **MAX5386M Evaluation Kit Interface Circuit** popup window (Figure 2). The software can also enter demo mode at any time from the main window by selecting the **Options | Demo Mode** menu item. When in demo mode, all software communication to the EV kit circuit is disabled; however, most of the software GUI is functional. Demo mode allows the user to evaluate the software without hardware connectivity. To exit demo mode, deselect the **Options | Demo Mode** menu item.

Potentiometer A and B Wiper Positions

The wiper position track bars (WA, WB) in the **Potentiometer A** and **Potentiometer B** group boxes are used to change the wiper position between the H_ and L_ end points. Use the computer mouse or arrow keys to move the wiper position between the 256 position points. The wiper position can also be changed by entering the desired integer value in the edit boxes, or by pressing the up or down arrows in the respective edit box. A change in the **W_** wiper position track bars, or **HW_/WL_** edit boxes writes to the registers and the wiper position is updated with the data sent. The wiper position is shown in the **HW_** and **WL_** edit boxes. The **HW_** edit box shows the wiper position with respect to the potentiometer H end point and the **WL_** edit box shows the wiper position with respect to the potentiometer L_ end point.

Evaluates: MAX5386/MAX5388/MAX5391/MAX5393

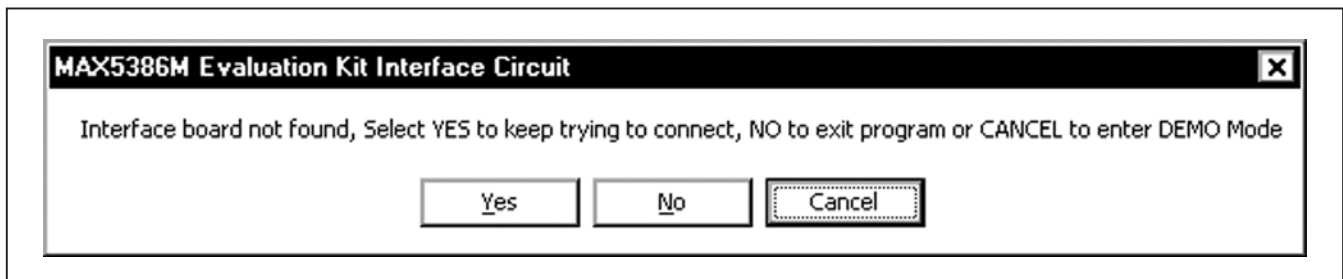


Figure 2. MAX5386M Evaluation Kit Interface Circuit Popup Window

MAX5386M Evaluation System

Factory Default

Pressing the **Default** button resets potentiometer A and B wiper positions in the MAX5386M to the factory-default midscale position.

Status Indicator

The **Status** indicator in the **Interface** group box displays **EV Kit Operational** when the EV kit enters the normal operating mode after the USB connection is detected. If the USB connection is not detected, or when the software enters the demo mode, the **Status** indicator displays **Demo Mode**. Demo mode is used to exercise the software without hardware connectivity.

Command Sent Indicator

The **Command Sent** indicator in the **Interface** group box displays the last command sent from the master (software) to the MAX5386M. There are two commands available in the MAX5386M IC. Table 2 describes the two MAX5386M commands.

Data Sent Indicator

The **Data Sent** indicator displays the last data sent from the masters to potentiometer A (0x00) or potentiometer B (0x01) registers.

The MAX5386M IC uses an 8-bit (MSBs, D7–D0) data byte to set the wiper position. Refer to the MAX5386 IC data sheet for additional information.

Keyboard Navigation

Press the Tab key to select each GUI control. The selected control is indicated by a dotted outline. Using Shift + Tab moves the selection to the previously selected control. Buttons respond to the keyboard's space bar and some controls respond to the keyboard's up and down arrow keys. Activate the program's menu bar by pressing the F10 key and then pressing the letter of the desired menu item. Most menu items have one letter underlined, indicating their shortcut key.

When a number is entered into the edit boxes, it can be sent to the device by pressing the Enter key. It is also sent when Tab or Shift + Tab is pressed.

Simple SPI Commands

There are two methods for communicating with the EV kit, through the normal user-interface panel (Figure 1) or through the SPI commands available by selecting the **3-Wire Interface** (Figure 3) utility from the main program's **Options | Advanced Users Interface** menu bar. A window is displayed that allows SPI send/receive data operations.

On the **3-wire interface** tab, the **Connection** group box defines the hardware connections of the interface. For the EV kit, **K10** is selected from the **Clock (SCK)(SCLK)** drop-down list, **K12** from the **Data from master to slave (MOSI)(DIN)** drop-down list is disabled, **K11** from the **Data from slave to master (MISO)(DOUT)** drop-down list, **K9** from the **Chip-select (CS) for data framing** drop-down list, and **Use standard connections for high-speed SPI** checkbox is checked (see Figure 3).

The **Configuration** group box allows the user to configure the logic level and data rate. For the EV kit, check the **Send & Receive MSB first** checkbox and verify that the **CPOL=1(clock idle high)** and **CPHA=1(sample 2nd edge)** checkboxes are unchecked (see Figure 3).

The **Send and Receive Data** group box allows the user to send data to the MAX5386M. The **Data bytes to be written** edit box indicates data to be sent from the master (microcontroller) to the device (MAX5386M). Eight-bit hexadecimal numbers should be comma delimited. Press the **Send Now** button to transmit the data from the master to the device. Data appearing in the **Data bytes received** edit box is data read from the device. The **Data bytes received** edit box in the EV kit software always shows a default value of **0xFF** since the MAX5386M does not send data back to the master.

Note: The SPI dialog boxes accept numeric data in hexadecimal format. Hexadecimal numbers must be prefixed by \$ or 0x. Figure 3 shows a simple SPI write-byte operation using the included 3-wire interface diagnostics tool. In this example, the software is sending command 0x00 (write to potentiometer A) and data 0x7F. The data sequence sets the MAX5386M wiper position to 127.

Table 2. MAX5386M SPI Command

MAX5386M REGISTER	COMMAND		DESCRIPTION
	BINARY	HEX	
VREGA	00000000	0x00	SPI data is written to potentiometer A. Wiper WA position updates with SPI data.
VREGB	00000001	0x01	SPI data is written to potentiometer B. Wiper WB position updates with SPI data.

MAX5386M Evaluation System

Evaluates: MAX5386/MAX5388/MAX5391/MAX5393

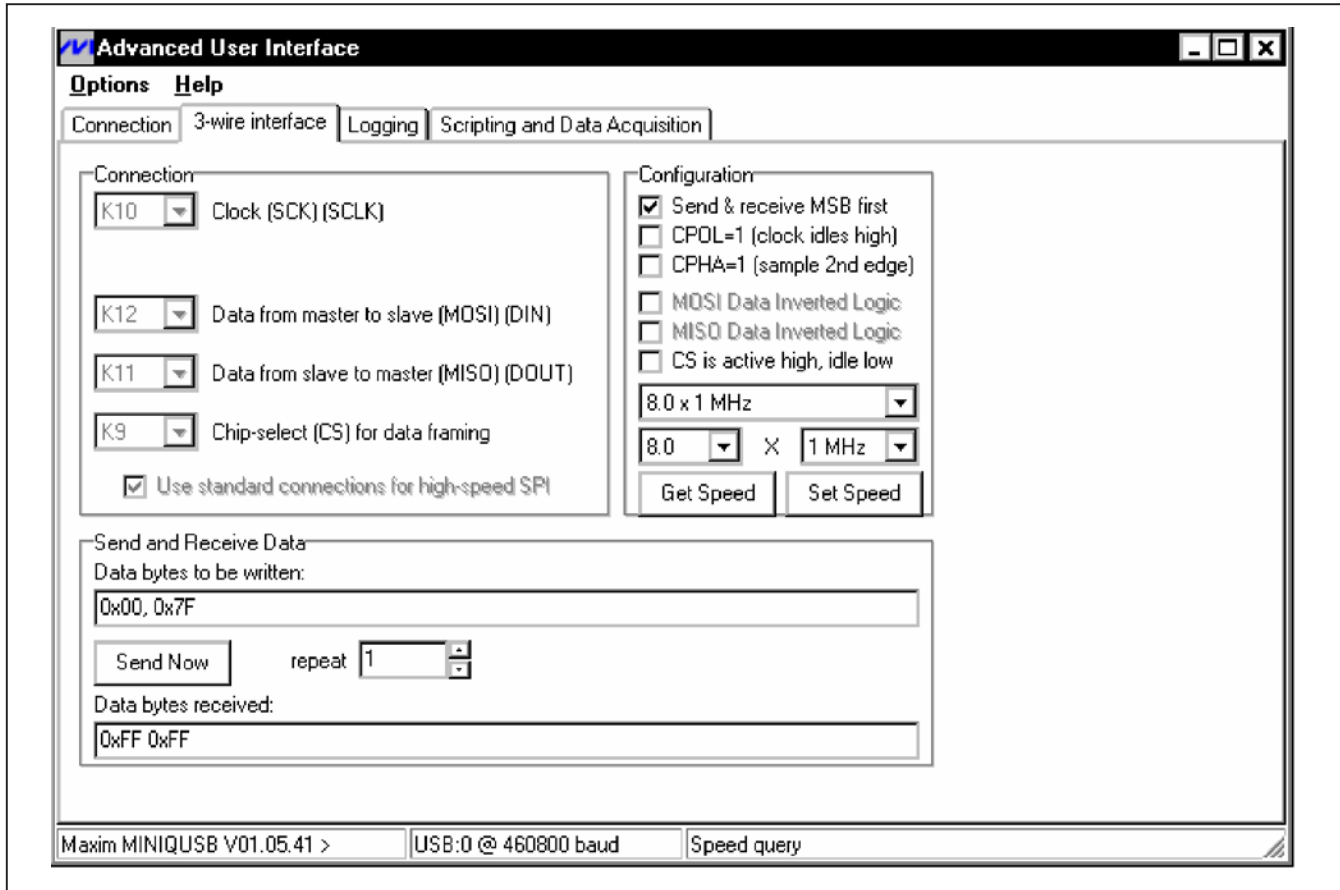


Figure 3. Simple Low-Level 3-Wire Interface

General Troubleshooting

Problem: Software reports it cannot find the interface circuit:

- Is the USB cable connected to the MINIQUSB+ board?
- Has Windows plug-and-play detected the board? Bring up **Control Panel->System->Device Manager**, and look at what device nodes are indicated for USB. If there is an **Unknown device node** attached to the USB, uninstall it—this forces plug-and-play to try again.
- If using an off-board SPI interface, is the power ground connected to the EV kit ground (GND) at one of the header J1 pin connections (J1-2, J1-4, J1-6, or J1-8)?

Detailed Description of Hardware

The MAX5386M evaluation kit (EV kit) is an assembled and tested PCB that features the MAX5386M dual 50k Ω digital potentiometers. Both potentiometer A and B have an end-to-end resistance of 50k Ω and each wiper can be programmed independently among 256 tap positions. The EV kit uses a MAX5386M IC in a 16-pin thin QFN package on a proven two-layer PCB design.

The EV kit provides connector J1 to interface with the MAX5386M CS, DIN, SCLK, and GND signals directly to a user-supplied 3-wire system. Connector J1 also provides a connection for the MAX5386M EV kit's 2.6V to 5.5V VPOWER power-supply input.

The EV kit is typically used with a MINIQUSB+ interface board for communicating with a PC through the 3-wire serial interface. Logic-level translators U7 and U8 provide proper SPI interface translation when using 2.6V to 5.5V to power the MAX5386M VDD input.

MAX5386M Evaluation System

EV Kit VDD Input Source

The VPOWER rail is typically supplied as 3.3V or 5V by the MINIQUSB+ interface board circuitry, or 2.6V using LDO regulator U6. LDO regulator U5 output is set to 1.7V and is powered from the VPOWER rail. The VPOWER rail sets the MAX5386M VDD input to 5V, 3.3V, or 2.6V.

Regulator U5 has an adjustable output that can be configured to a different voltage by replacing resistor R1. Use the following equation to set U5 output voltage:

$$R1 = 10^5 \times \left(\frac{V_{OUT}}{1.225} - 1 \right)$$

where R1 is in ohms and VOUT is the desired U5 output voltage.

Jumper JU20 selects the source for the EV kit circuit VPOWER rail. See Table 3 for proper jumper configuration for setting VPOWER rail.

Alternatively, the EV kit's VDD PCB pad can be used to supply an external 2.6V to 5.25V to the circuit's VPOWER rail, by removing the shunt at jumper JU20.

Table 3. VPOWER Rail (JU20)

SHUNT POSITION	VPOWER Rail
1-2	5V (MINIQUSB+ circuitry)
1-3*	3.3V (MINIQUSB+ circuitry)
1-4	2.6V (LDO U6)
Not installed	External source applied at EV kit VDD and GND PCB pads

*Default position.

Table 4. U5 LDO Function (JU1)

SHUNT POSITION	U5 1.7V OUTPUT
Installed	Enabled
Not installed*	Disabled

*Default position.

Table 5. MAX5386M Power Source (JU2, JU1, JU20)

SHUNT POSITION			MAX5386M VDD PIN
JU2	JU1	JU20	
1-2	Installed	X	1.7V or adjusted U5 LDO output
1-2	Not installed	X	Not powered
2-3*	X	1-2	5V
		1-3*	3.3V
		1-4	2.6V
		Not installed	External source applied at the EV kit VDD and GND PCB pads

*Default position.

X = Don't care.

Jumper JU1 enables/disables LDO U5 output. Install a shunt across jumper JU1 to enable U5 default 1.7V output. Remove the shunt at JU1 to disable U5 output. See Table 4 for proper jumper JU1 configuration.

MAX5386M VDD Input Configuration

Jumper JU2 selects the power source for the MAX5386M VDD input. Install a shunt across pins 1-2 of jumper JU7 to operate the MAX5386M VDD input power using LDO U5 output. Install a shunt across pins 2-3 to operate the MAX5386M VDD input from the VPOWER rail. See Table 5 for proper jumper configuration for the MAX5386M VDD power-supply input.

Note: The MAX5386M VDD input has a minimum 2.6V requirement and LDO U5 output needs to be adjusted to power the MAX5386M VDD input.

SPI Clock, Data-, and Chip-Select Inputs

The MAX5386M features clock, data-, and chip-select input pins for SPI-compatible communication to control the MAX5386M wiper position. The clock, data-, and chip-select pins can be driven by the MINIQUSB+ interface circuit or the PCB header (J1), along with a user-supplied external SPI-compatible controller. An external SPI-compatible controller can be connected to \overline{CS} (J1-3), DIN (J1-5), SCLK (J1-7), and GND (J1-2, J1-4, J1-6, J1-8) on header J1 to communicate with the MAX5386M IC. When using an external SPI-compatible controller, verify that the MINIQUSB+ interface board has been disconnected from the EV kit's J2 and J3 headers. See Table 6 for header J1 pin assignment.

MAX5386M Evaluation System

Potentiometer, Voltage-Divider, or Variable Resistor with Ground Reference

The EV kit provides an option to configure the MAX5386M as a potentiometer or voltage-divider, open end, or with ground reference, respectively. Use jumpers JU3 and JU4 for potentiometer A, and jumpers JU5 and JU6 for potentiometer B configurations. Tables 7 and 8 list jumper options for configuring potentiometers A and B.

The MAX5386M IC can also be configured as a variable resistor by shorting the H₋ and W₋ pads together using a wire. When operating as a variable resistor, any power source connected to the H₋, W₋, or L₋ pads must be voltage and current limited to the maximum conditions stated in the MAX5386 IC data sheet.

Note that to test the device in resistor mode, the ohmmeter must be GND referenced to the MAX5386M. This can be accomplished by connecting the L₋ pin to GND or the H₋ pin to U1 VDD. Resistance can then be measured between W₋ and L₋ or W₋ and H₋ PCB pads.

Evaluating the MAX5388, MAX5391, and MAX5393 ICs

The EV kit is populated with additional PCB footprints and various jumpers to evaluate the MAX5391 (U2), MAX5393 (U3), and MAX5388 (U4), respectively.

Refer to the MAX5388, MAX5391L, or MAX5393 EV system data sheets for additional information when evaluating the MAX5388, MAX5391, or MAX5393 digital potentiometers.

Table 6. Header J1 Pin Assignment

PIN	SIGNAL
J1-1	VPOWER
J1-2, J1-4, J1-6, J1-8	GND
J1-3	\overline{CS}
J1-5	DIN
J1-7	SCLK

Table 7. JU3 and JU4 Jumper Functions (Potentiometer A)

SHUNT POSITION		HA PAD	LA PAD	MAX5386M FUNCTION
JU3	JU4			
Not installed*	Not installed	Not connected	Not connected	Potentiometer open ended
	Installed*		Connected to GND	Potentiometer with GND reference
Installed	Not installed	Connected to U1 VDD	Not connected	Voltage-divider open ended
	Installed		Connected to GND	Voltage-divider with GND reference

*Default position.

Table 8. JU5 and JU6 Jumper Functions (Potentiometer B)

SHUNT POSITION		HB PAD	LB PAD	MAX5386M FUNCTION
JU5	JU6			
Not installed*	Not installed	Not connected	Not connected	Potentiometer open ended
	Installed*		Connected to GND	Potentiometer with GND reference
Installed	Not installed	Connected to U1 VDD	Not connected	Voltage-divider open ended
	Installed		Connected to GND	Voltage-divider with GND reference

*Default position.

MAX5386M Evaluation System

Table 9. Jumper Configuration (JU1–JU20)

JUMPER	SHUNT POSITION	EV KIT FUNCTION
JU1	Installed	1.7V LDO output enabled
	Not installed*	1.7V LDO output disabled
JU2	1-2	MAX5386M VDD voltage not powered
	2-3*	MAX5386M VDD voltage dependent on jumper JU20 configuration
	Not installed	External voltage applied at the VDD and GND PCB pads
JU3	Not installed	MAX5386M HA disconnected from the U1 VDD voltage source
	Installed*	MAX5386M HA connected to the U1 VDD voltage source
JU4	Not installed	MAX5386M LA disconnected from GND
	Installed*	MAX5386M LA connected to GND
JU5	Not installed	MAX5386M HB disconnected from the U1 VDD voltage source
	Installed*	MAX5386M HB connected to the U1 VDD voltage source
JU6	Not installed	MAX5386M LB disconnected from GND
	Installed*	MAX5386M LB connected to GND
JU7	1-2*	MAX5391 VDD voltage not powered
	2-3	MAX5391 VDD voltage dependent on jumper JU20 configuration
JU8	Not installed	MAX5391 HA disconnected from the U2 VDD voltage source
	Installed*	MAX5391 HA connected to the U2 VDD voltage source
JU9	Not installed	MAX5391 LA disconnected from GND
	Installed*	MAX5391 LA connected to GND
JU10	Not installed	MAX5391 HB disconnected from the U2 VDD voltage source
	Installed*	MAX5391 HB connected to the U2 VDD voltage source
JU11	Not installed	MAX5391 LB disconnected from GND
	Installed*	MAX5391 LB connected to GND
JU12	Not installed	MAX5393 HA disconnected from the U3 VDD voltage source
	Installed*	MAX5393 HA connected to the U3 VDD voltage source
JU13	Not installed	MAX5393 LA disconnected from GND
	Installed*	MAX5393 LA connected to GND
JU14	Not installed	MAX5393 HB disconnected from the U3 VDD voltage source
	Installed*	MAX5393 HB connected to the U3 VDD voltage source
JU15	Not installed	MAX5393 LB disconnected from GND
	Installed*	MAX5393 LB connected to GND
JU16	Not installed	MAX5388 LA disconnected from GND
	Installed*	MAX5388 LA connected to GND
JU17	Not installed	MAX5388 HB disconnected from the U4 VDD voltage source
	Installed*	MAX5388 HB connected to the U4 VDD voltage source
JU18	Not installed	MAX5388 LB disconnected from GND
	Installed*	MAX5388 LB connected to GND
JU19	Not installed	MAX5393 VDD voltage not powered
	Installed*	MAX5393 VDD voltage dependent on jumper JU20 configuration
JU20	1-2	VPOWER = 5V
	1-3*	VPOWER = 3.3V
	1-4	VPOWER = 2.6V

*Default position.

Evaluates: MAX5386/MAX5388/MAX5391/MAX5393

MAX5386M Evaluation System

Evaluates: MAX5386/MAX5388/MAX5391/MAX5393

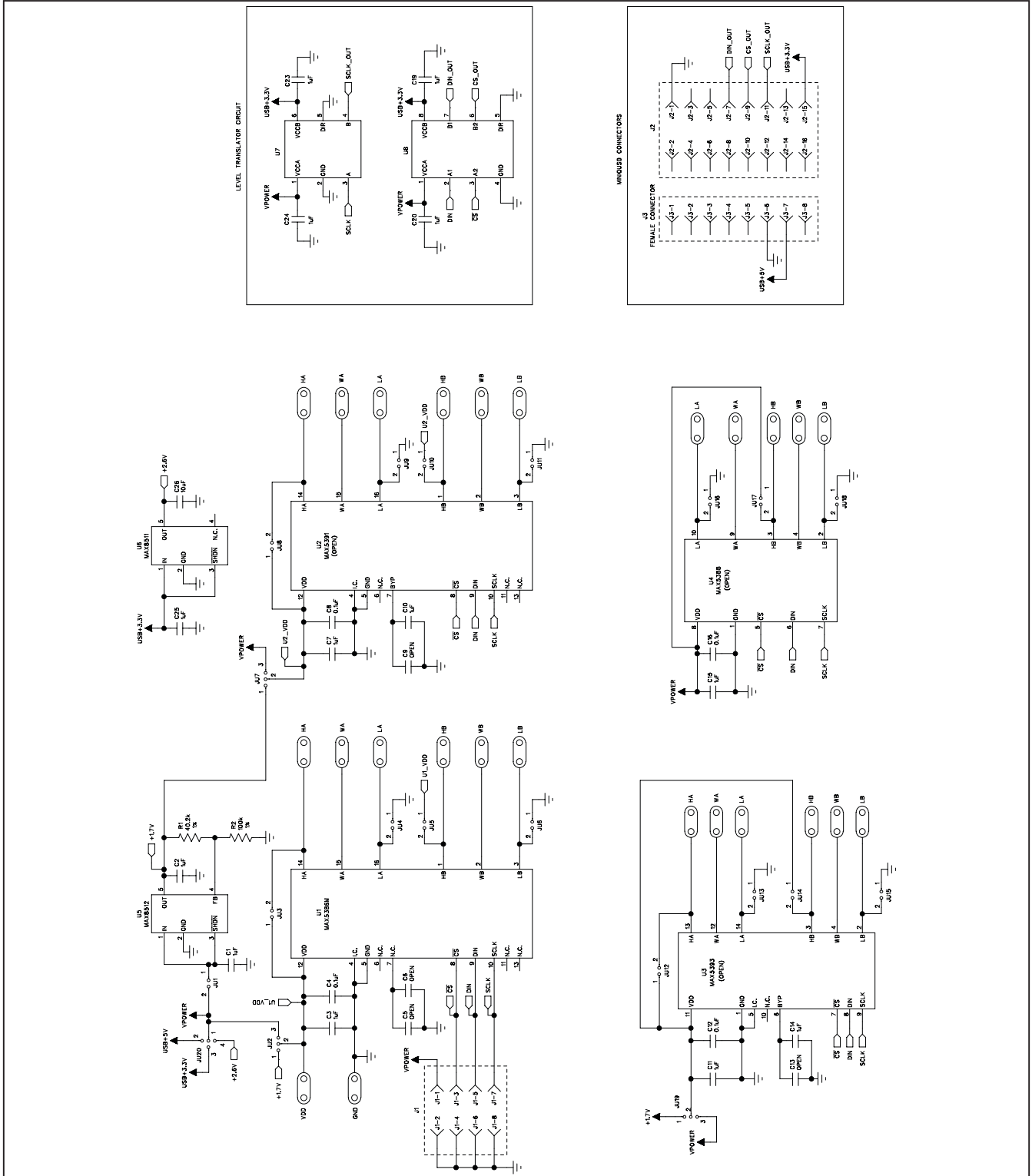


Figure 4. MAX5386M EV Kit Schematic

MAX5386M Evaluation System

Evaluates: MAX5386/MAX5388/MAX5391/MAX5393

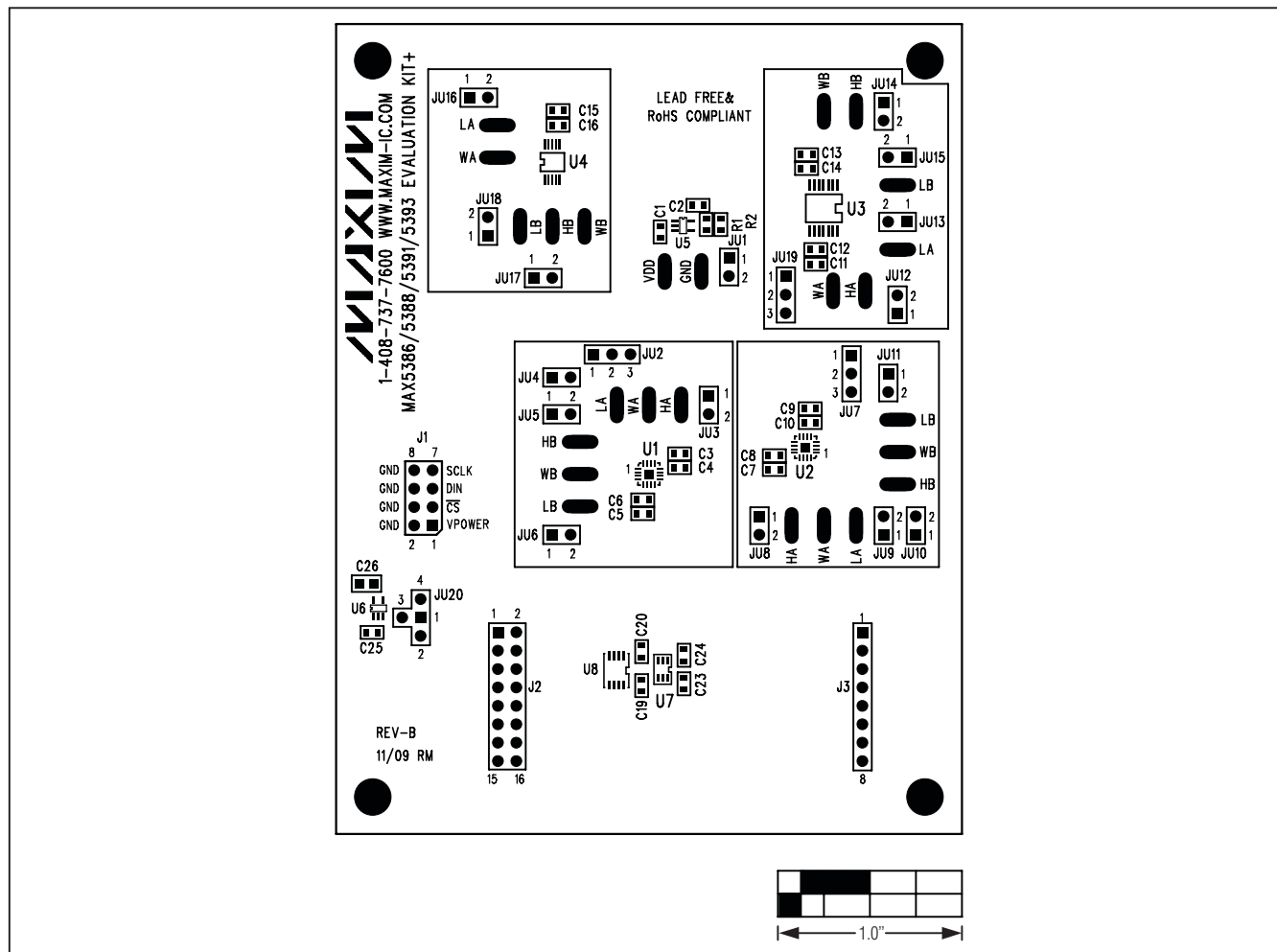


Figure 5. MAX5386M EV Kit Component Placement Guide—Component Side

MAX5386M Evaluation System

Evaluates: MAX5386/MAX5388/MAX5391/MAX5393

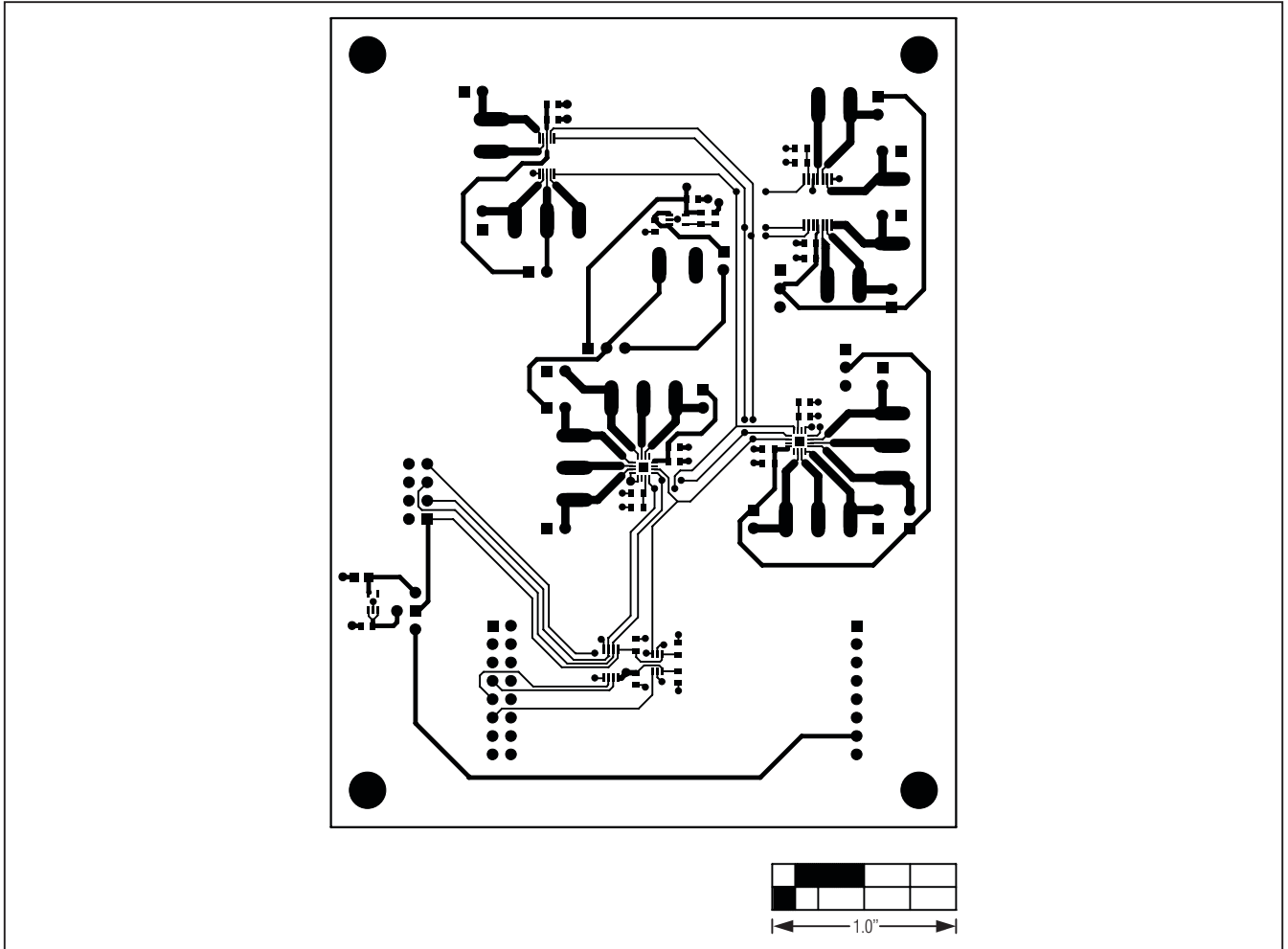


Figure 6. MAX5386M EV Kit PCB Layout—Component Side

MAX5386M Evaluation System

Evaluates: MAX5386/MAX5388/MAX5391/MAX5393

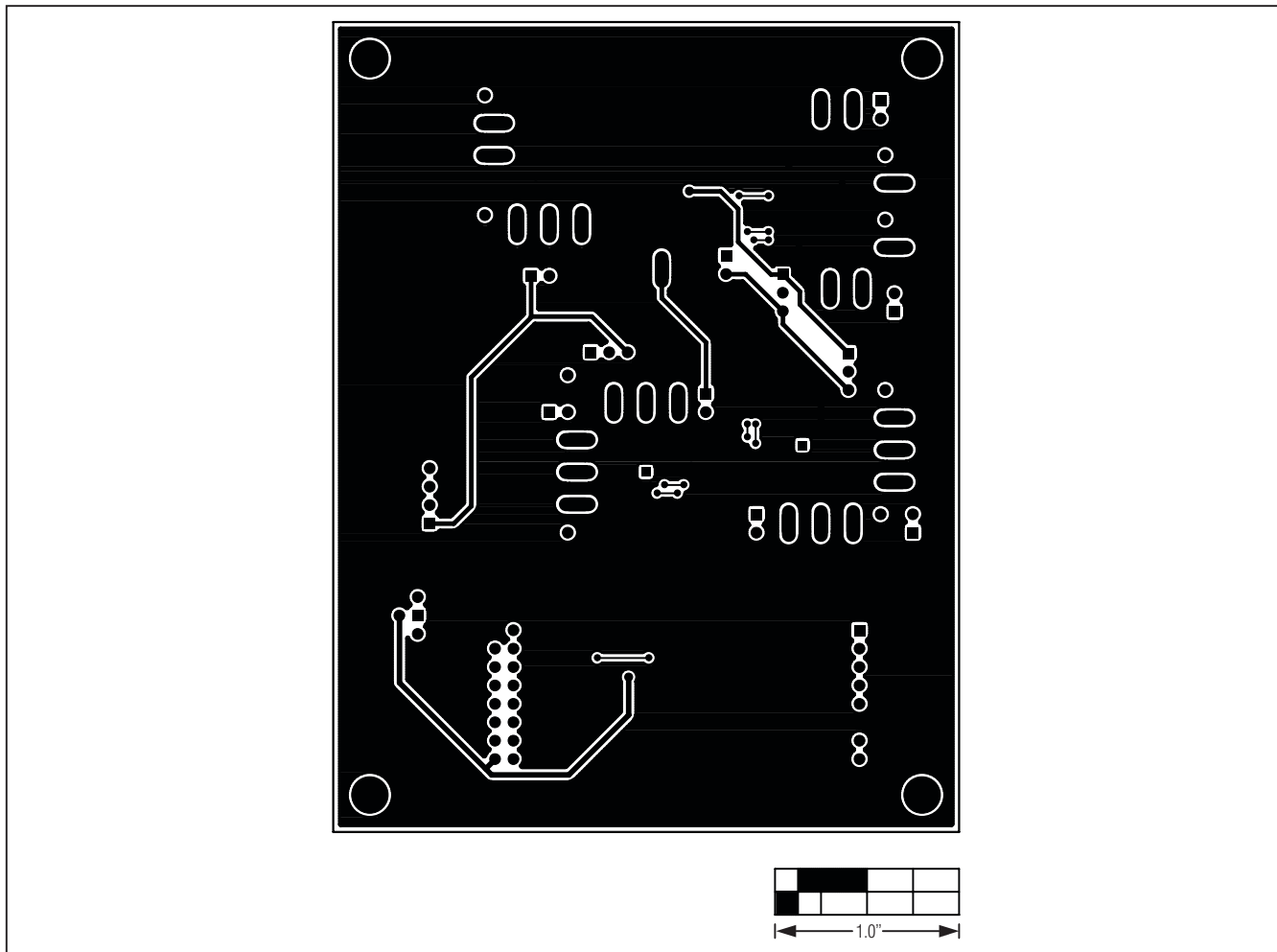


Figure 7. MAX5386M EV Kit PCB Layout—Solder Side

Maxim cannot assume responsibility for use of any circuitry other than circuitry entirely embodied in a Maxim product. No circuit patent licenses are implied. Maxim reserves the right to change the circuitry and specifications without notice at any time.

14 **Maxim Integrated Products, 120 San Gabriel Drive, Sunnyvale, CA 94086 408-737-7600**

© 2010 Maxim Integrated Products

Maxim is a registered trademark of Maxim Integrated Products, Inc.

Данный компонент на территории Российской Федерации

Вы можете приобрести в компании MosChip.

Для оперативного оформления запроса Вам необходимо перейти по данной ссылке:

<http://moschip.ru/get-element>

Вы можете разместить у нас заказ для любого Вашего проекта, будь то серийное производство или разработка единичного прибора.

В нашем ассортименте представлены ведущие мировые производители активных и пассивных электронных компонентов.

Нашей специализацией является поставка электронной компонентной базы двойного назначения, продукции таких производителей как XILINX, Intel (ex.ALTERA), Vicor, Microchip, Texas Instruments, Analog Devices, Mini-Circuits, Amphenol, Glenair.

Сотрудничество с глобальными дистрибьюторами электронных компонентов, предоставляет возможность заказывать и получать с международных складов практически любой перечень компонентов в оптимальные для Вас сроки.

На всех этапах разработки и производства наши партнеры могут получить квалифицированную поддержку опытных инженеров.

Система менеджмента качества компании отвечает требованиям в соответствии с ГОСТ Р ИСО 9001, ГОСТ РВ 0015-002 и ЭС РД 009

Офис по работе с юридическими лицами:

105318, г.Москва, ул.Щербаковская д.3, офис 1107, 1118, ДЦ «Щербаковский»

Телефон: +7 495 668-12-70 (многоканальный)

Факс: +7 495 668-12-70 (доб.304)

E-mail: info@moschip.ru

Skype отдела продаж:

moschip.ru

moschip.ru_4

moschip.ru_6

moschip.ru_9