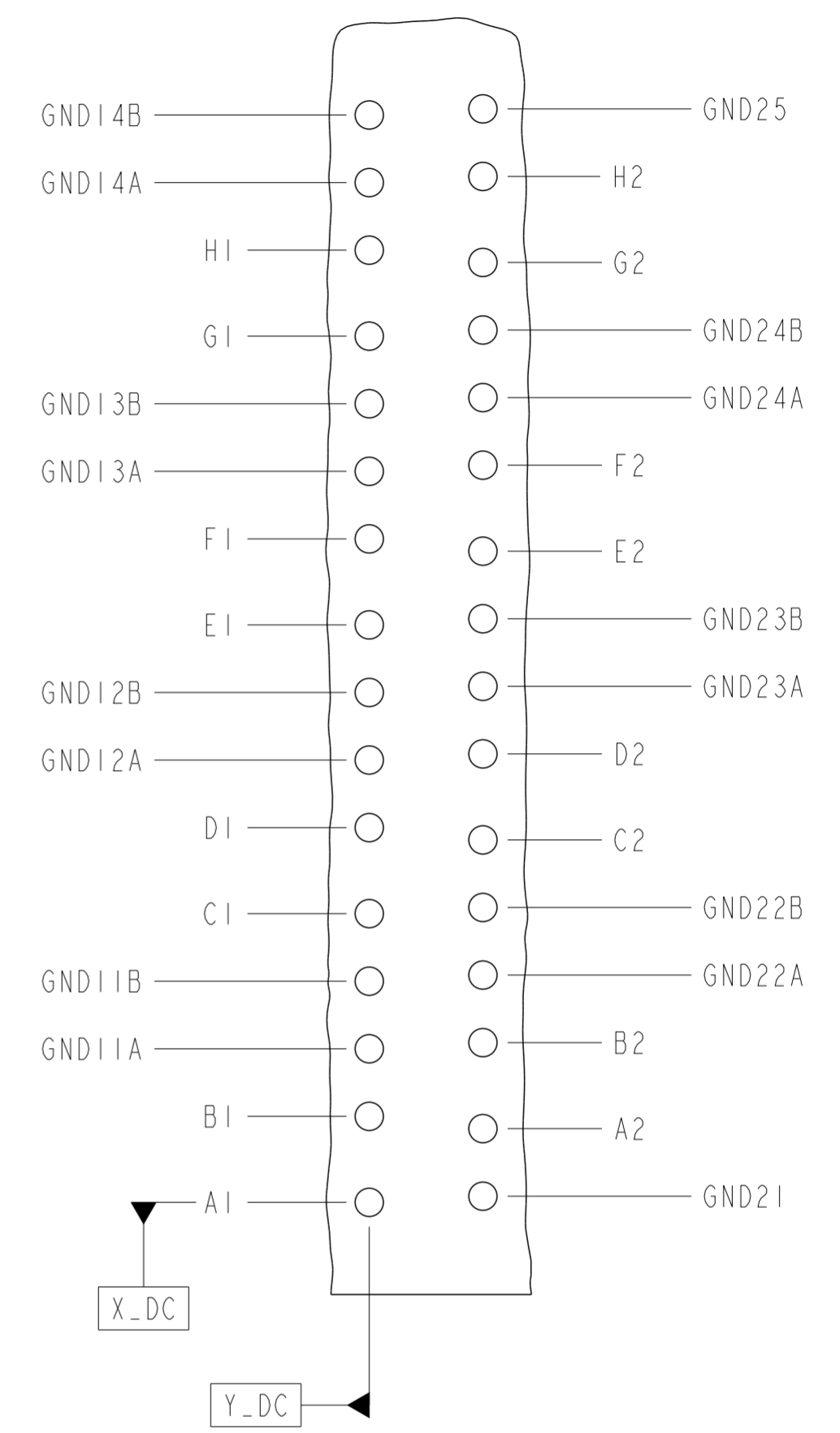
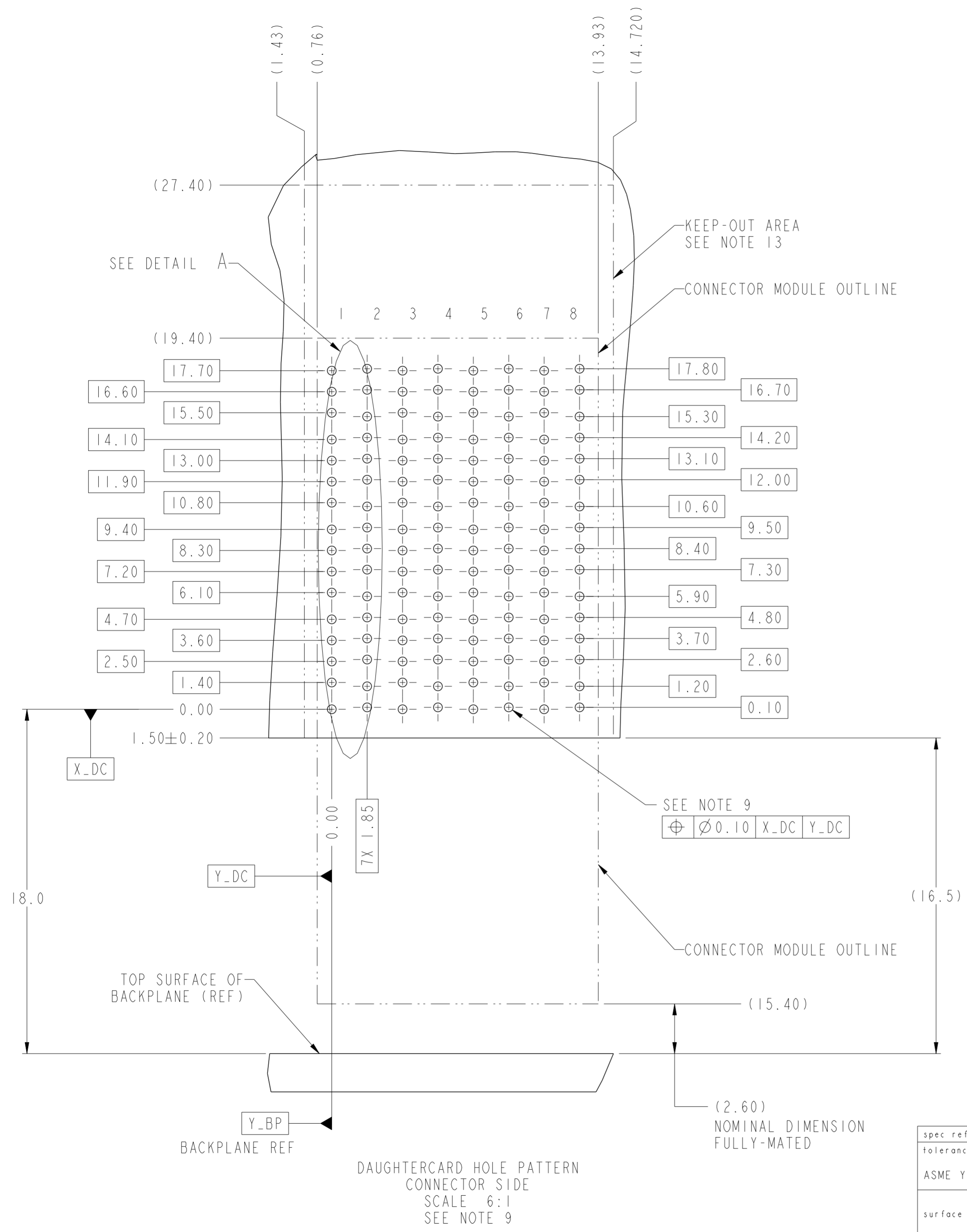


spec ref	SEE NOTES	dr	Jim Swain	2010/01/22	projection	mm	size	A2	scale	3:1								
tolerance std	TOLERANCES UNLESS OTHERWISE SPECIFIED	eng	Matthew Cheong	2012/04/30			ecn no	ELX-S-011499-1										
ASME Y14.5		chr	-	appr			Chen-Hong Tan	2012/04/30	product family	XCede	rel rev	CF	Released					
surface	<table border="1"> <tr> <td>linear</td> <td>0.X</td> <td>±</td> </tr> <tr> <td></td> <td>0.XX</td> <td>±</td> </tr> <tr> <td></td> <td>0.XXX</td> <td>±</td> </tr> <tr> <td>angular</td> <td>0°</td> <td>±</td> </tr> </table>	linear	0.X	±				0.XX	±		0.XXX	±	angular	0°	±	www.fci.com	cat. no.	SEE P/N TABLES
linear	0.X	±																
	0.XX	±																
	0.XXX	±																
angular	0°	±																
ASME Y14.5		title	RECEPT MODULE, RIGHT ANGLE 8 COLUMN, 4 PAIR			dwg no	10091812		rev	B								

Copyright FCI.  
**FCI**



DETAIL A  
SCALE 10:1  
HIGH-SPEED DIFFERENTIAL PINOUT  
SEE NOTE 9

spec ref	SEE NOTES	dr	Jim Swain	2010/01/22	projection	mm	size	A2	scale	3:1																		
tolerance std	TOLERANCES UNLESS OTHERWISE SPECIFIED	eng	Matthew Cheong	2012/04/30		mm	ecn no	ELX-S-011499-1	rel rev	Released																		
ASME Y14.5		chr	-	app							Chen-Hong Tan	2012/04/30	product family	XCede														
surface	<table border="1"> <tr> <td>linear</td> <td>0.X</td> <td>±-</td> </tr> <tr> <td></td> <td>0.XX</td> <td>±-</td> </tr> <tr> <td></td> <td>0.XXX</td> <td>±-</td> </tr> <tr> <td>angular</td> <td>0°</td> <td>±°</td> </tr> </table>	linear	0.X	±-		0.XX	±-		0.XXX	±-	angular	0°	±°			<table border="1"> <tr> <td>title</td> <td>RECEPT MODULE, RIGHT ANGLE</td> <td>dwg no</td> <td>10091812</td> <td>rev</td> <td>B</td> </tr> <tr> <td>ASME Y14.5</td> <td></td> <td>cat. no.</td> <td>SEE P/N TABLES</td> <td>Product - Customer Drw</td> <td>sheet 2 of 6</td> </tr> </table>	title	RECEPT MODULE, RIGHT ANGLE	dwg no	10091812	rev	B	ASME Y14.5		cat. no.	SEE P/N TABLES	Product - Customer Drw	sheet 2 of 6
linear	0.X	±-																										
	0.XX	±-																										
	0.XXX	±-																										
angular	0°	±°																										
title	RECEPT MODULE, RIGHT ANGLE	dwg no	10091812	rev	B																							
ASME Y14.5		cat. no.	SEE P/N TABLES	Product - Customer Drw	sheet 2 of 6																							

	1	2	3	4	5	6	7	8										
	ASSEMBLY PART NUMBER	LEAD-FREE	MODULE DESCRIPTION AND USAGE NOTES	VERSION	IMPEDANCE	COMPLIANT TAIL STYLE AND PCB DRILL DIAMETER	DIM "K" (TAIL LENGTH)	REMARKS										
A	10091812-101	NO	SEE NOTES 6 & 14	HSD	100Ω	STANDARD 0.57 (.0225")	2.0	TELCORDIA CO										
	10091812-101LF	YES																
	10091812-111	NO	SEE NOTES 6 & 15															
	10091812-111LF	YES																
	10091812-501	NO	SEE NOTES 6 & 14															
	10091812-501LF	YES																
B	10091812-511	NO	SEE NOTES 6 & 15	HSD	100Ω	MICRO 0.45 (.0177")	1.3	TELCORDIA UE										
	10091812-511LF	YES																
	10091812-102	NO	SEE NOTES 6 & 14						HSD	100Ω	MICRO 0.45 (.0177")	1.3	TELCORDIA CO					
	10091812-102LF	YES																
	10091812-112	NO	SEE NOTES 6 & 15											HSD	100Ω	MICRO 0.45 (.0177")	1.3	TELCORDIA UE
	10091812-112LF	YES																
10091812-502	NO	SEE NOTES 6 & 14	HSD	100Ω	MICRO 0.45 (.0177")	1.3	TELCORDIA UE											
10091812-502LF	YES																	
10091812-512	NO	SEE NOTES 6 & 15						HSD	100Ω	MICRO 0.45 (.0177")	1.3	TELCORDIA UE						
10091812-512LF	YES																	
C	10091812-103	NO											SEE NOTES 6 & 14	LC	100Ω	STANDARD 0.57 (.0225")	2.0	TELCORDIA CO
	10091812-103LF	YES																
	10091812-113	NO	SEE NOTES 6 & 15	LC	100Ω	STANDARD 0.57 (.0225")	2.0						TELCORDIA UE					
	10091812-113LF	YES																
	10091812-503	NO	SEE NOTES 6 & 14					LC	100Ω	STANDARD 0.57 (.0225")	2.0	TELCORDIA UE						
	10091812-503LF	YES																
10091812-513	NO	SEE NOTES 6 & 15	LC											100Ω	STANDARD 0.57 (.0225")	2.0	TELCORDIA UE	
10091812-513LF	YES																	
D	10091812-104	NO		SEE NOTES 6 & 14	LC	100Ω	MICRO 0.45 (.0177")						1.3					TELCORDIA CO
	10091812-104LF	YES																
	10091812-114	NO		SEE NOTES 6 & 15				LC	100Ω	MICRO 0.45 (.0177")	1.3	TELCORDIA UE						
	10091812-114LF	YES																
	10091812-504	NO	SEE NOTES 6 & 14	LC										100Ω	MICRO 0.45 (.0177")	1.3	TELCORDIA UE	
	10091812-504LF	YES																
10091812-514	NO	SEE NOTES 6 & 15	LC		100Ω	MICRO 0.45 (.0177")	1.3						TELCORDIA UE					
10091812-514LF	YES																	



Copyright FCI.

spec ref	SEE NOTES	dr	Jim Swain	2010/01/22	projection	mm	size	A2	scale	2:1																	
tolerance std	TOLERANCES UNLESS OTHERWISE SPECIFIED	eng	Matthew Cheong	2012/04/30		mm	ecn no	ELX-S-011499-1	rel rev	Released																	
ASME Y14.5		chr	-	appr							Chen-Hong Tan	2012/04/30	product family	XCede													
surface	<table border="1"> <tr> <td>linear</td> <td>0.X</td> <td>±</td> </tr> <tr> <td></td> <td>0.XX</td> <td>±</td> </tr> <tr> <td></td> <td>0.XXX</td> <td>±</td> </tr> <tr> <td>angular</td> <td>0°</td> <td>±</td> </tr> </table>	linear	0.X	±		0.XX	±		0.XXX	±	angular	0°	±		<table border="1"> <tr> <td>title</td> <td>RECEPT MODULE, RIGHT ANGLE</td> <td>dwg no</td> <td>10091812</td> <td>rev</td> <td>B</td> </tr> <tr> <td>ASME Y14.5</td> <td></td> <td>www.fci.com</td> <td>cat. no. SEE PART NUMBER TABLE</td> <td>Product - Customer Drw</td> <td>sheet 3 of 6</td> </tr> </table>	title	RECEPT MODULE, RIGHT ANGLE	dwg no	10091812	rev	B	ASME Y14.5		www.fci.com	cat. no. SEE PART NUMBER TABLE	Product - Customer Drw	sheet 3 of 6
linear	0.X	±																									
	0.XX	±																									
	0.XXX	±																									
angular	0°	±																									
title	RECEPT MODULE, RIGHT ANGLE	dwg no	10091812	rev	B																						
ASME Y14.5		www.fci.com	cat. no. SEE PART NUMBER TABLE	Product - Customer Drw	sheet 3 of 6																						

1		2		3		4		5		6		7		8															
A	ASSEMBLY PART NUMBER	LEAD-FREE	MODULE DESCRIPTION AND USAGE NOTES	VERSION	IMPEDANCE	COMPLIANT TAIL STYLE AND PCB DRILL DIAMETER	DIM "K" (TAIL LENGTH)	REMARKS		PCB REQUIREMENTS																			
	ATTRIBUTE		STANDARD TAIL		MICRO TAIL																								
A	10091812-105	NO	SEE NOTES 6 & 14	HSD	85Ω	STANDARD 0.57 (.0225")	2.0	TELCORDIA CO		DRILL	∅0.57 (.0225")	∅0.45 (.0177")																	
	10091812-105LF	YES								PTH	∅0.46±0.05	∅0.36±0.05																	
	10091812-115	NO	SEE NOTES 6 & 15							TELCORDIA UE	PAD SEE NOTE 8	∅0.88				∅0.75													
	10091812-115LF	YES									MIN PCB THICKNESS	1.60				1.10													
	10091812-505	NO	SEE NOTES 6 & 14								HSD	85Ω				MICRO 0.45 (.0177")	1.3	TELCORDIA CO											
	10091812-505LF	YES																					SEE NOTES 6 & 15	TELCORDIA UE					
10091812-515	NO	SEE NOTES 6 & 14	HSD	85Ω	1.3	TELCORDIA CO																							
10091812-515LF	YES												SEE NOTES 6 & 15	TELCORDIA UE															
10091812-106	NO	SEE NOTES 6 & 14													HSD								85Ω		1.3	TELCORDIA CO			
10091812-106LF	YES												SEE NOTES 6 & 15																
10091812-116	NO	SEE NOTES 6 & 14									HSD	85Ω				1.3	TELCORDIA CO												
10091812-116LF	YES												SEE NOTES 6 & 15									TELCORDIA UE							
10091812-506	NO	SEE NOTES 6 & 14	HSD	85Ω	1.3	TELCORDIA CO																							
10091812-506LF	YES												SEE NOTES 6 & 15	TELCORDIA UE															
10091812-516	NO	SEE NOTES 6 & 14													HSD								85Ω	1.3	TELCORDIA CO				
10091812-516LF	YES												SEE NOTES 6 & 15																
10091812-107	NO	SEE NOTES 6 & 14									LC	85Ω				2.0	TELCORDIA CO												
10091812-107LF	YES												SEE NOTES 6 & 15									TELCORDIA UE							
10091812-117	NO	SEE NOTES 6 & 14	LC	85Ω	2.0	TELCORDIA CO																							
10091812-117LF	YES												SEE NOTES 6 & 15	TELCORDIA UE															
10091812-507	NO	SEE NOTES 6 & 14													LC								85Ω	2.0	TELCORDIA CO				
10091812-507LF	YES												SEE NOTES 6 & 15																
10091812-517	NO	SEE NOTES 6 & 14									LC	85Ω				1.3	TELCORDIA CO												
10091812-517LF	YES												SEE NOTES 6 & 15									TELCORDIA UE							
10091812-108	NO	SEE NOTES 6 & 14	LC	85Ω	1.3	TELCORDIA CO																							
10091812-108LF	YES												SEE NOTES 6 & 15	TELCORDIA UE															
10091812-118	NO	SEE NOTES 6 & 14													LC								85Ω	1.3	TELCORDIA CO				
10091812-118LF	YES												SEE NOTES 6 & 15																
10091812-508	NO	SEE NOTES 6 & 14									LC	85Ω				1.3	TELCORDIA CO												
10091812-508LF	YES												SEE NOTES 6 & 15									TELCORDIA UE							
10091812-518	NO	SEE NOTES 6 & 14	LC	85Ω	1.3	TELCORDIA CO																							
10091812-518LF	YES												SEE NOTES 6 & 15	TELCORDIA UE															

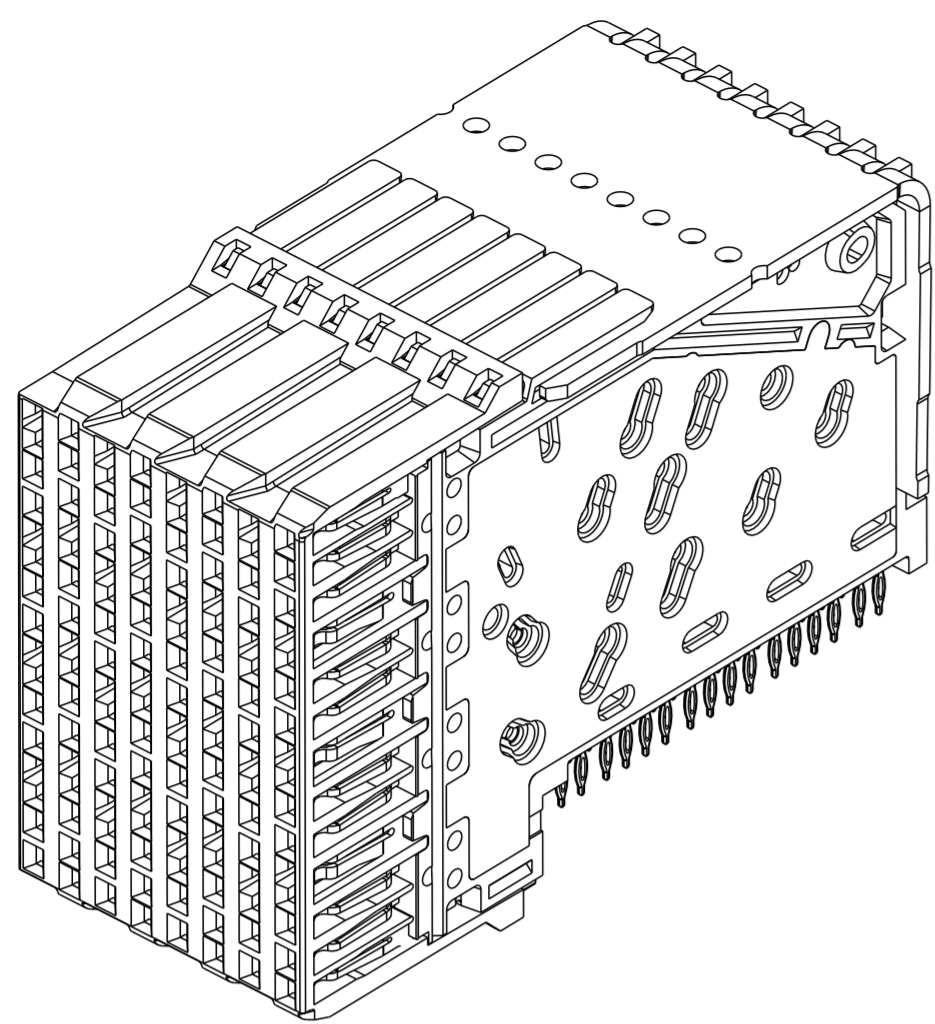
PCB REQUIREMENTS		
ATTRIBUTE	STANDARD TAIL	MICRO TAIL
DRILL	∅0.57 (.0225")	∅0.45 (.0177")
PTH	∅0.46±0.05	∅0.36±0.05
PAD SEE NOTE 8	∅0.88	∅0.75
MIN PCB THICKNESS	1.60	1.10



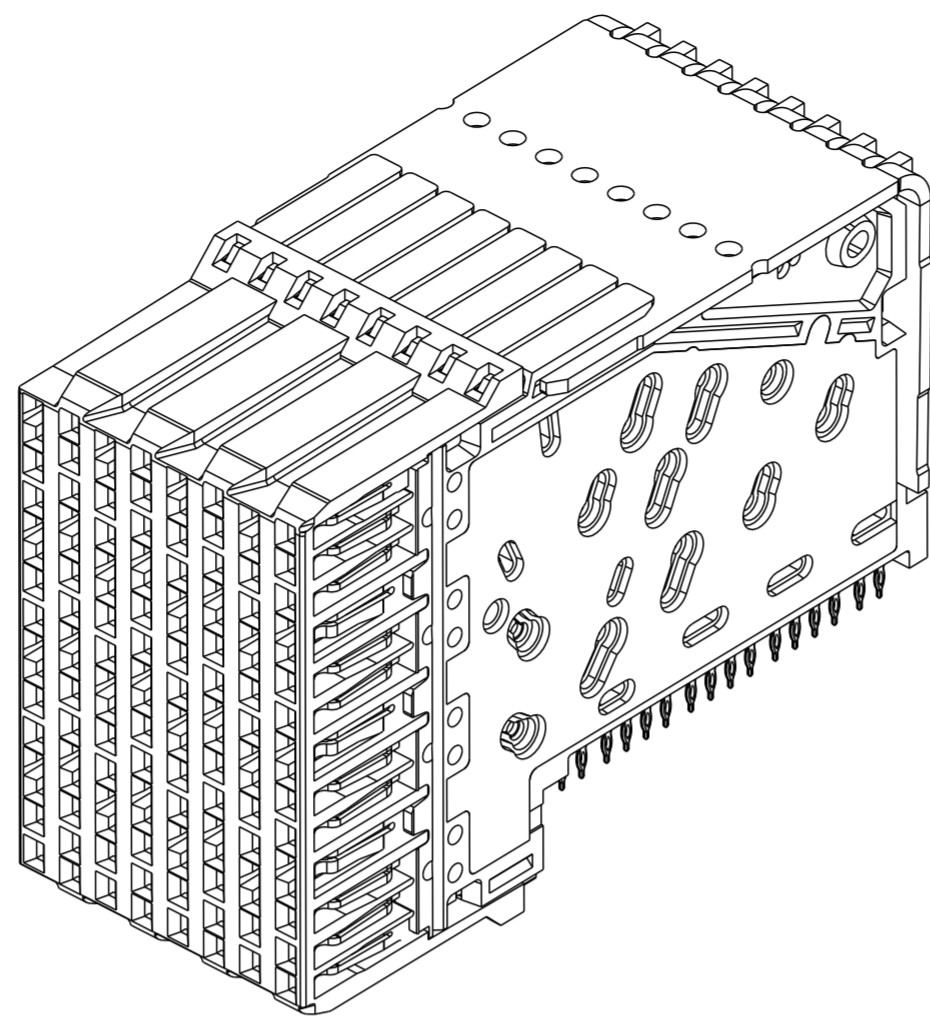
Copyright FCI.

spec ref	SEE NOTES	dr	Jim Swain	2010/01/22	projection	mm	size	A2	scale	2:1
tolerance std	ASME Y14.5	eng	Matthew Cheong	2012/04/30		mm	ecn no	ELX-S-011499-1	rel lev	Released
TOLERANCES UNLESS OTHERWISE SPECIFIED		chr	-	apppr						
surface	linear	0.X	±-		<b>RECEPT MODULE, RIGHT ANGLE</b> <b>8 COLUMN, 4 PAIR</b>	title 10091812	rev B	Product - Customer Drw		
	angular	0°	±°					cat. no.	SEE PART NUMBER TABLE	sheet 4 of 6
ASME Y14.5								www.fci.com		

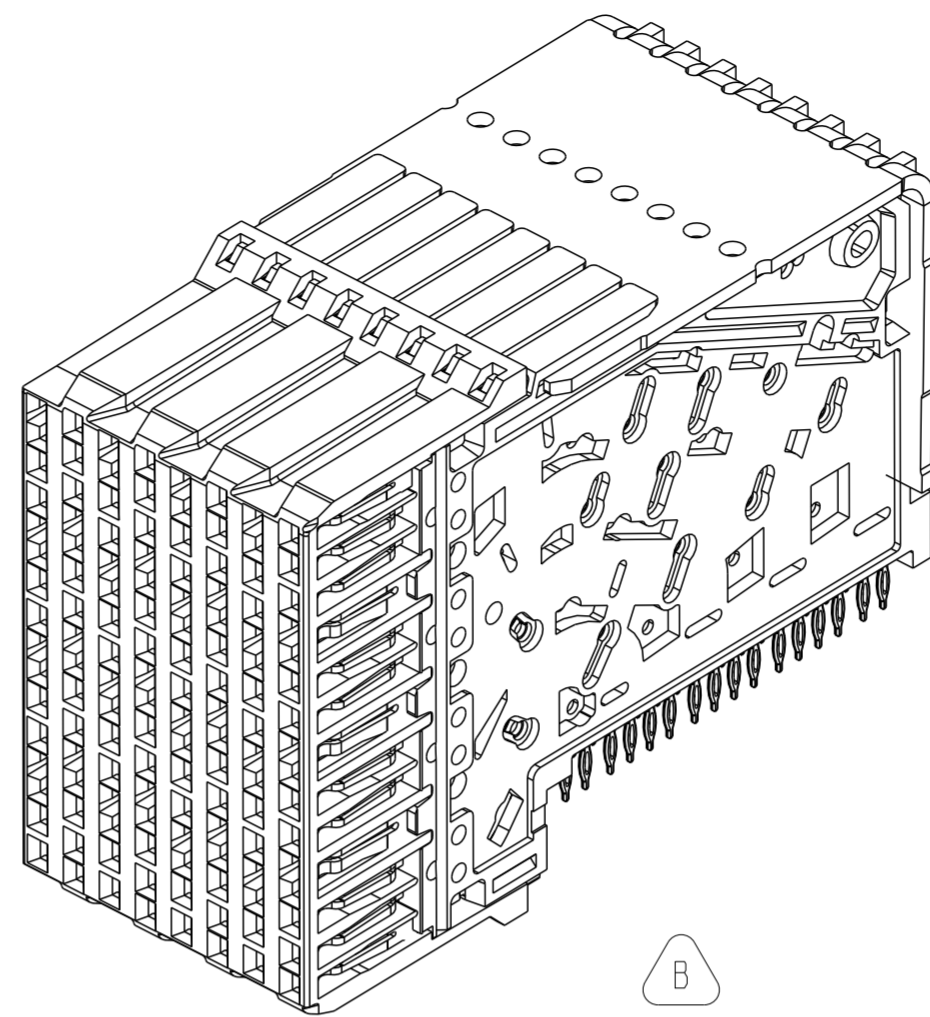




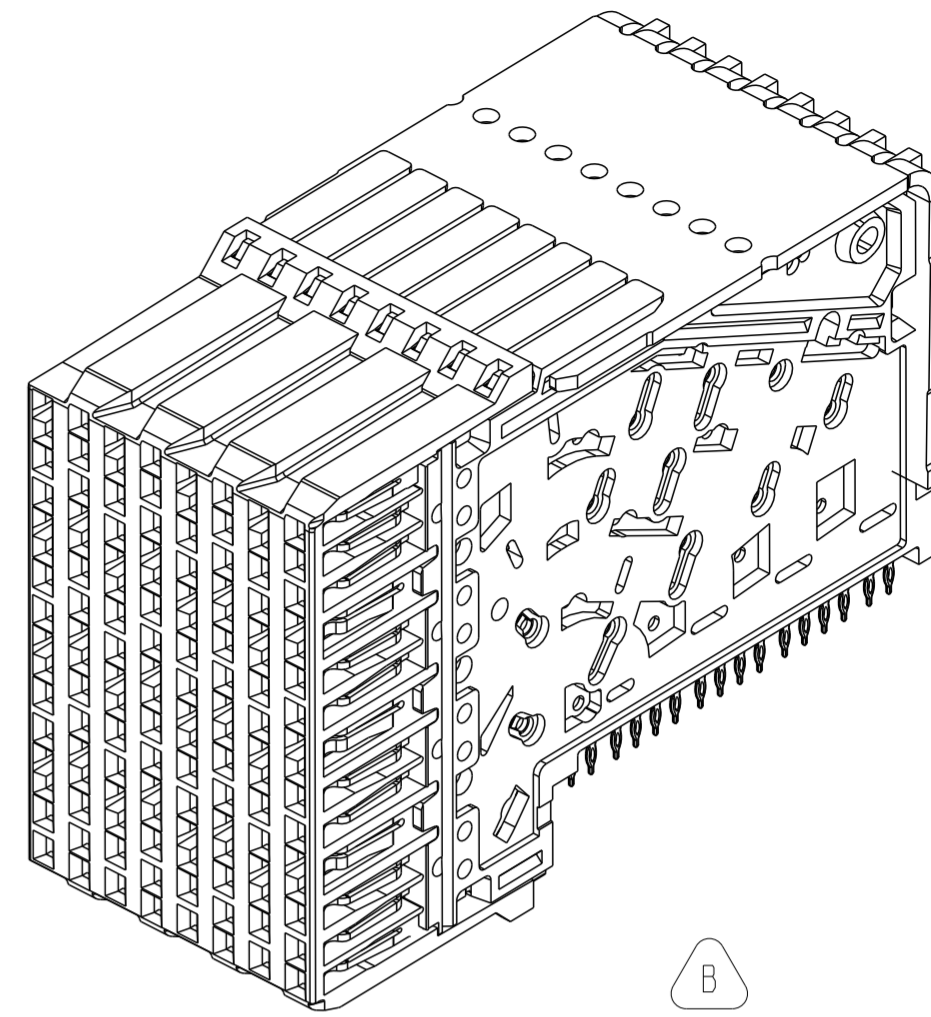
10091812-X01 & -X05  
HSD / 100Ω & 85Ω / STD EON  
SEE NOTE 14



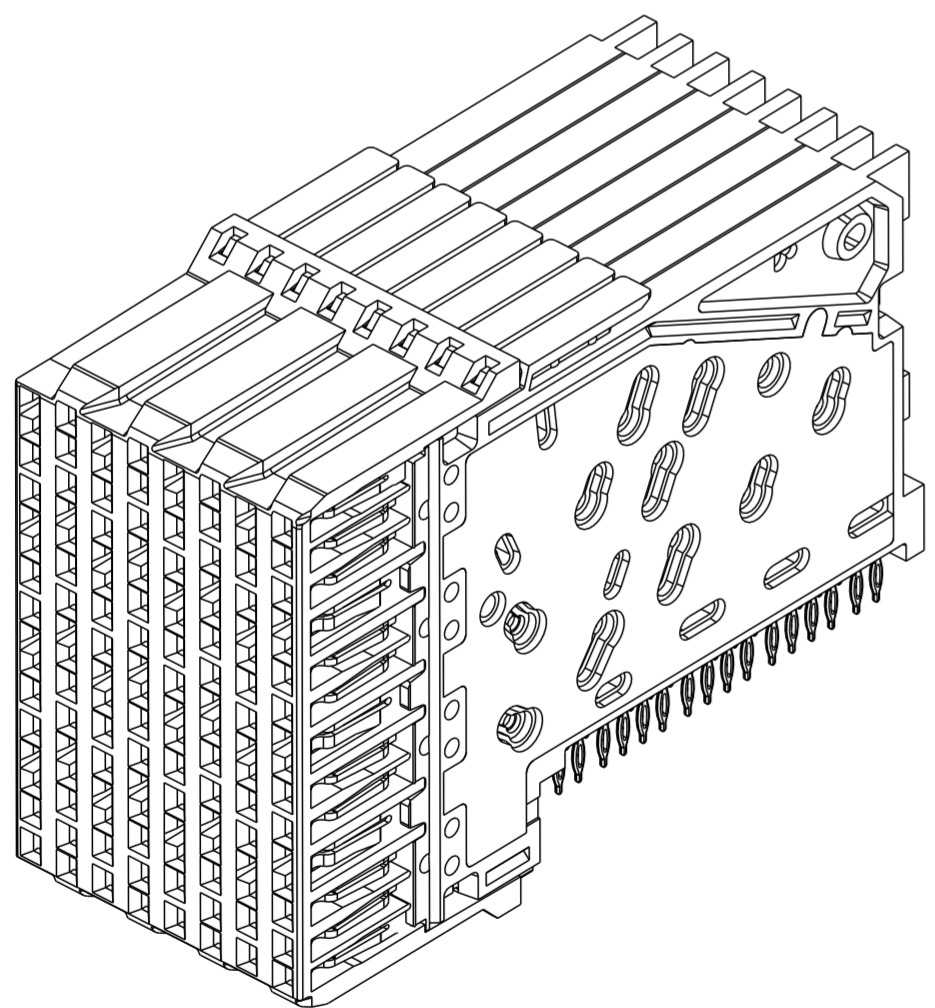
10091812-X02 & X06  
HSD / 100Ω & 85Ω / MICRO EON  
SEE NOTE 14



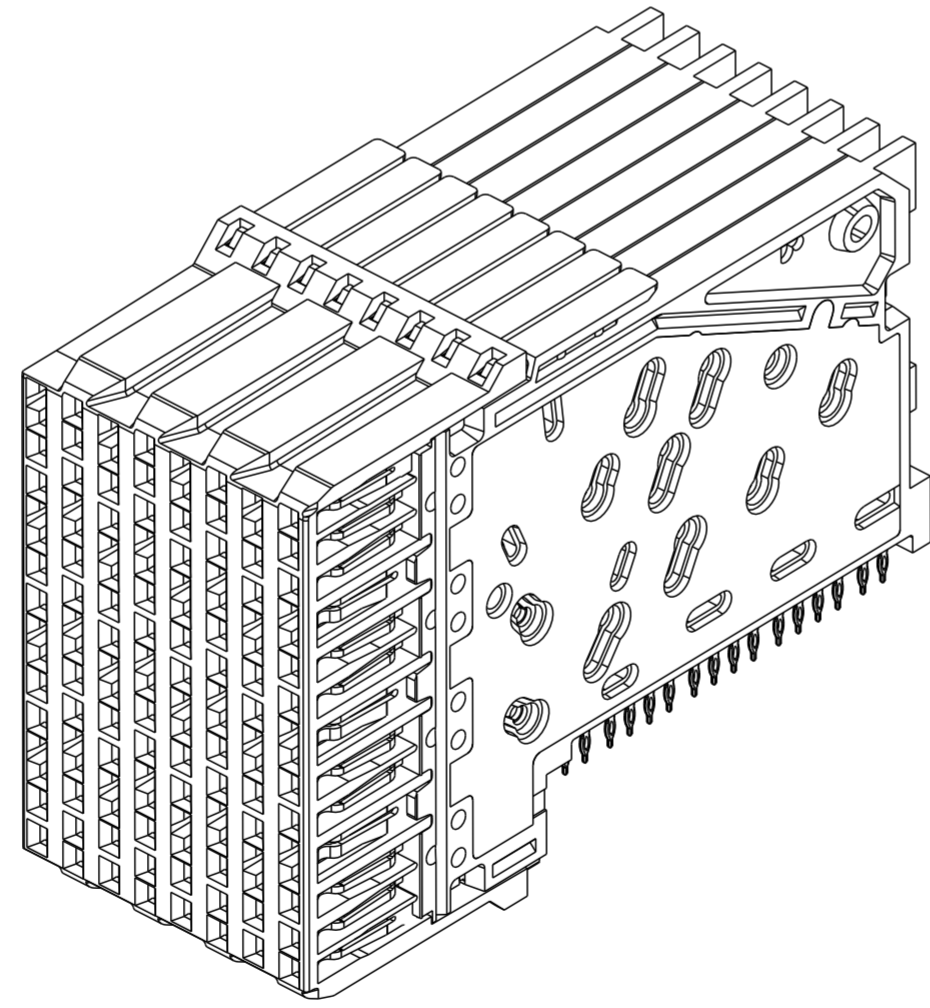
10091812-X03 & X07  
LC / 100Ω & 85Ω / STD EON  
SEE NOTE 14



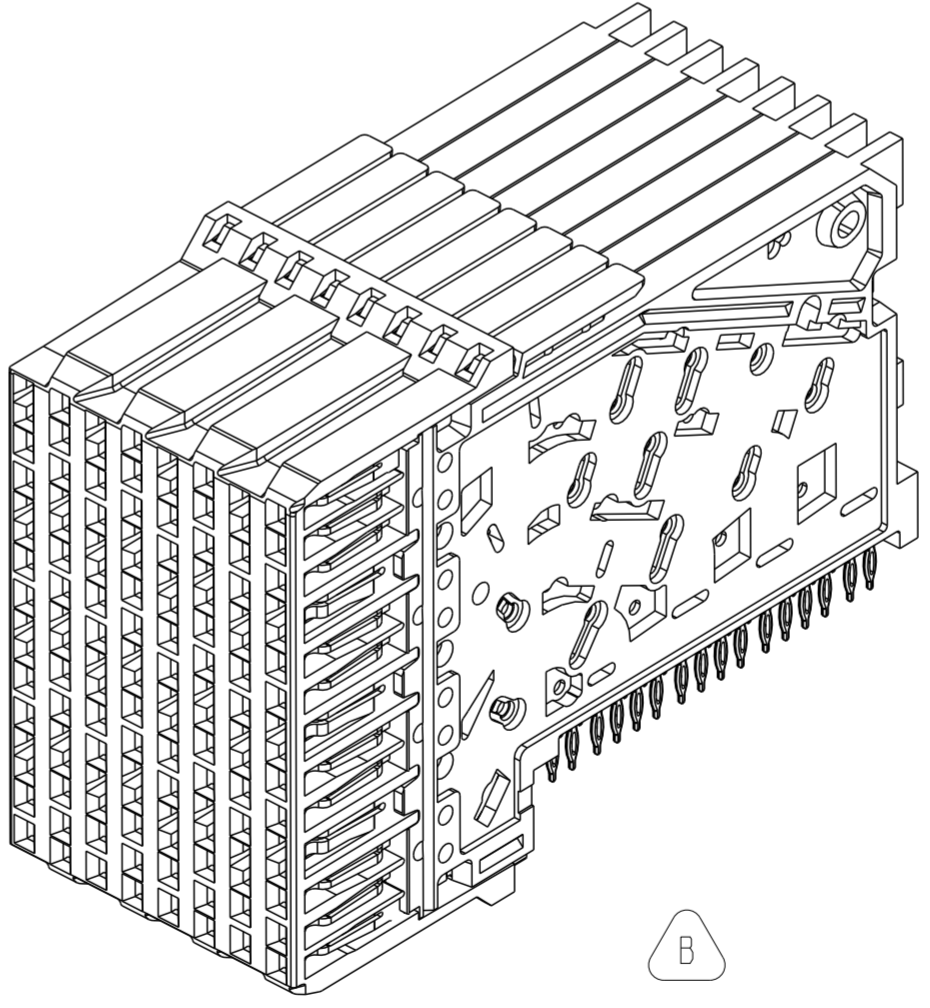
10091812-X04 & X08  
LC / 100Ω & 85Ω / MICRO EON  
SEE NOTE 14



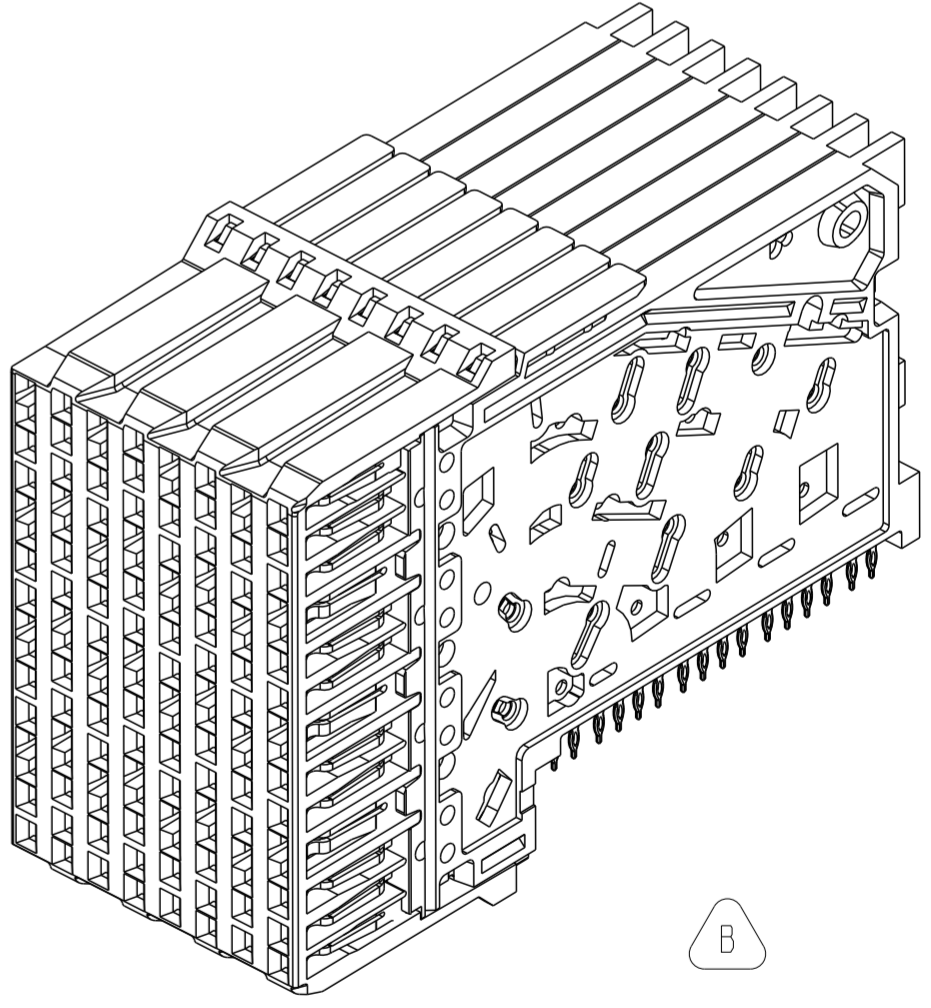
10091812-X11 & -X15  
HSD / 100Ω & 85Ω / STD EON  
SEE NOTE 15



10091812-X12 & X16  
HSD / 100Ω & 85Ω / MICRO EON  
SEE NOTE 15



10091812-X13 & X17  
LC / 100Ω & 85Ω / STD EON  
SEE NOTE 15



10091812-X14 & X18  
LC / 100Ω & 85Ω / MICRO EON  
SEE NOTE 15



Copyright FCI.

spec ref	SEE NOTES	dr	Jim Swain	2010/01/22	projection	mm	size	A2	scale	3:1								
tolerance std	TOLERANCES UNLESS OTHERWISE SPECIFIED	eng	Matthew Cheong	2012/04/30			ecn no	ELX-S-011499-1	rel lev	Released								
ASME Y14.5		chr	-	2012/04/30							product family	XCede						
surface	<table border="1"> <tr> <td>linear</td> <td>0.X</td> <td>±</td> </tr> <tr> <td></td> <td>0.XX</td> <td>±</td> </tr> <tr> <td></td> <td>0.XXX</td> <td>±</td> </tr> <tr> <td>ASME Y14.5</td> <td>angular</td> <td>0°</td> <td>±°</td> </tr> </table>	linear	0.X	±		0.XX	±		0.XXX	±	ASME Y14.5	angular	0°	±°		title RECEPT MODULE, RIGHT ANGLE 8 COLUMN, 4 PAIR	dwg no 10091812	rev B
linear	0.X	±																
	0.XX	±																
	0.XXX	±																
ASME Y14.5	angular	0°	±°															
		www.fci.com	cat. no.	SEE P/N TABLES	Product - Customer Draw		sheet 5 of 6											



NOTES:

1. CONNECTOR MATERIALS:

HOUSING: HIGH-TEMPERATURE THERMOPLASTIC, GRAY, UL 94V-0  
 WAFERS: HIGH-TEMPERATURE THERMOPLASTIC, GRAY, UL 94V-0  
 CONTACTS: HIGH-PERFORMANCE COPPER ALLOY  
 ORGANIZER: STAINLESS STEEL

2. CONTACT PLATING:

SEPARABLE INTERFACE: PERFORMANCE-BASED PLATING, QUALIFIED TO MEET THE REQUIREMENTS OF FCI PRODUCT SPECIFICATION GS-12-588, INCLUDING THE TELCORDIA GR-1217-CORE (NOVEMBER 1995) CENTRAL OFFICE TEST SEQUENCE.

PRESS-FIT TAILS: TIN-LEAD ALLOY OVER NICKEL OR TIN OVER NICKEL (LEAD FREE) AS NOTED. SEE "LEAD-FREE" COLUMN IN P/N TABLE.

3. PRODUCT SPECIFICATION: GS-12-588

4. APPLICATION SPECIFICATION: GS-20-121

5. PRODUCT MARKING: APPLIED TO CUSTOM MONOBLOCK ASSEMBLY

6. XCede® MODULES ARE DESIGNED TO BE STACKED INTO A MONOBLOCK ASSEMBLY, JOINED TOGETHER BY A COMMON STAMPED METAL ORGANIZER. INDIVIDUALLY ASSEMBLED MODULES ARE OFFERED FOR PURPOSES OF SAMPLING AND INITIAL DESIGN-IN EVALUATION AS IDENTIFIED IN THE PART NUMBER TABLE.

7. DRAWING IS INTENDED FOR LAYOUT PURPOSES ONLY.

8. STATED PAD SIZE MAY REQUIRE FILLETING. REFER TO FCI APPLICATION SPECIFICATION FOR ROUTING GUIDELINES.

9. SEE PCB REQUIREMENTS TABLE AND FCI APPLICATION SPECIFICATION GS-20-121 FOR PCB HOLE SPECIFICATIONS AND ROUTING GUIDELINES.

10. LEAD-FREE PRODUCT MEETS THE EUROPEAN UNION DIRECTIVES AND OTHER COUNTRY REGULATIONS AS DESCRIBED IN FCI SPECIFICATION GS-22-008.

11. THE PLASTIC MATERIALS IN THIS PRODUCT WILL WITHSTAND EXPOSURE TO 260° PEAK TEMP FOR 40 SECONDS IN A CONVECTION, INFRA-RED, OR VAPOR PHASE REFLOW OVEN.

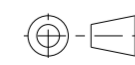

12. PACKAGING MEETS FCI SPECIFICATION GS-14-920 FOR LEAD-FREE LABELING.

13. THE SPECIFIED KEEP-OUT AREA IS REQUIRED FOR CONNECTOR REPAIRABILITY.

14. INDIVIDUAL MODULE ASSEMBLIES INCLUDING ASSEMBLED METAL ORGANIZER. THESE MODULES ARE TO BE USED FOR SAMPLING AND INITIAL EVALUATION ONLY. REF NOTE 6.

15. INDIVIDUAL MODULES TO BE SPECIFIED AND USED IN CUSTOM MONOBLOCK CONFIGURATIONS. REFERENCE NOTE 6 AND FCI APPLICATION SPECIFICATION FOR ADDITIONAL CONFIGURATION GUIDELINES AND INFORMATION.

16. A  SYMBOL WILL BE NEXT TO ANY DIMENSION, VIEW OR NOTES WHICH HAS BEEN MODIFIED WITH THE CURRENT DRAWING REVISION.

spec ref	SEE NOTES	dr	Jim Swain	2010/01/22	projection	mm	size	A2	scale	3:1		
tolerance std	TOLERANCES UNLESS OTHERWISE SPECIFIED	eng	Matthew Cheong	2012/04/30		mm	ecn no	ELX-S-011499-1	rel rev	Released		
ASME Y14.5		chr	-	-							product family	XCede
surface	linear	ASME Y14.5	angular	0.X	±		title	RECEPT MODULE, RIGHT ANGLE 8 COLUMN, 4 PAIR	cat. no.	SEE P/N TABLES	Product - Customer Drw	sheet 6 of 6
				0.XX	±							
				0.XXX	±							
			0°	±°			dwg no	10091812		rev	B	

## Данный компонент на территории Российской Федерации

### Вы можете приобрести в компании MosChip.

Для оперативного оформления запроса Вам необходимо перейти по данной ссылке:

<http://moschip.ru/get-element>

Вы можете разместить у нас заказ для любого Вашего проекта, будь то серийное производство или разработка единичного прибора.

В нашем ассортименте представлены ведущие мировые производители активных и пассивных электронных компонентов.

Нашей специализацией является поставка электронной компонентной базы двойного назначения, продукции таких производителей как XILINX, Intel (ex.ALTERA), Vicor, Microchip, Texas Instruments, Analog Devices, Mini-Circuits, Amphenol, Glenair.

Сотрудничество с глобальными дистрибьюторами электронных компонентов, предоставляет возможность заказывать и получать с международных складов практически любой перечень компонентов в оптимальные для Вас сроки.

На всех этапах разработки и производства наши партнеры могут получить квалифицированную поддержку опытных инженеров.

Система менеджмента качества компании отвечает требованиям в соответствии с ГОСТ Р ИСО 9001, ГОСТ РВ 0015-002 и ЭС РД 009

### Офис по работе с юридическими лицами:

105318, г.Москва, ул.Щербаковская д.3, офис 1107, 1118, ДЦ «Щербаковский»

Телефон: +7 495 668-12-70 (многоканальный)

Факс: +7 495 668-12-70 (доб.304)

E-mail: [info@moschip.ru](mailto:info@moschip.ru)

Skype отдела продаж:

moschip.ru

moschip.ru\_4

moschip.ru\_6

moschip.ru\_9