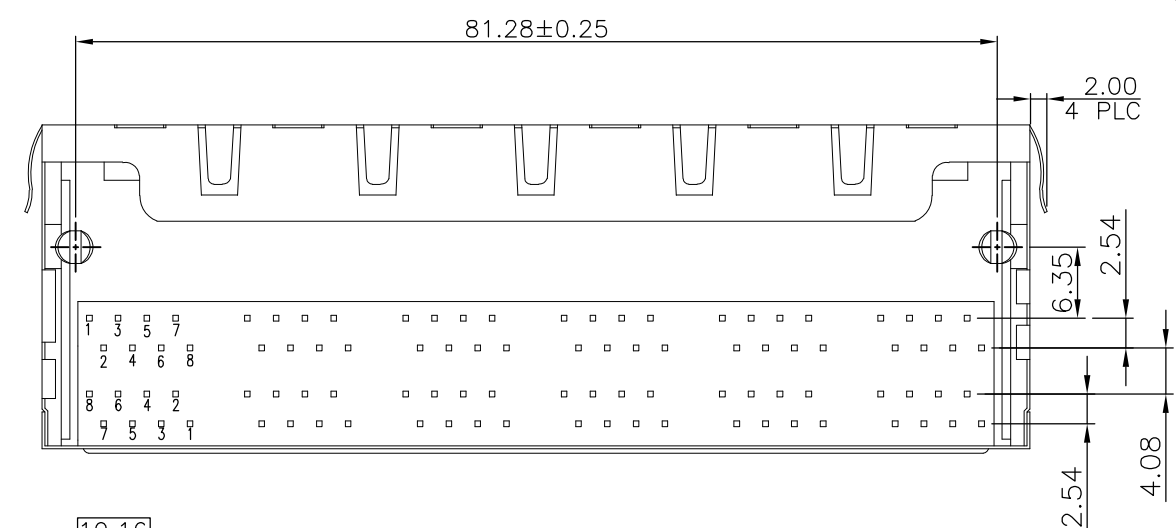
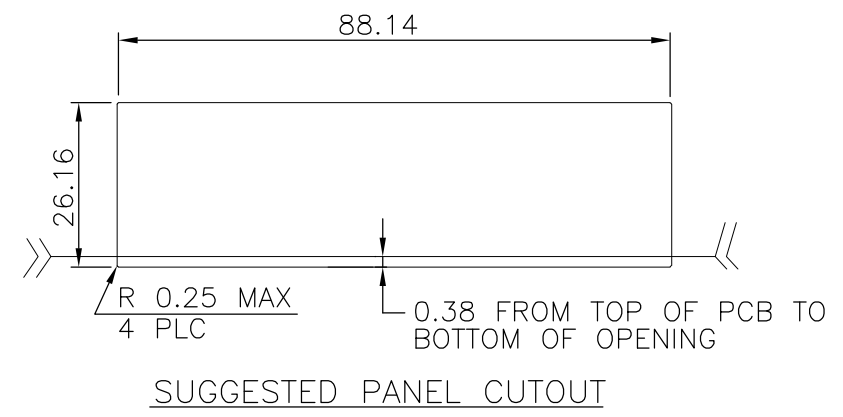
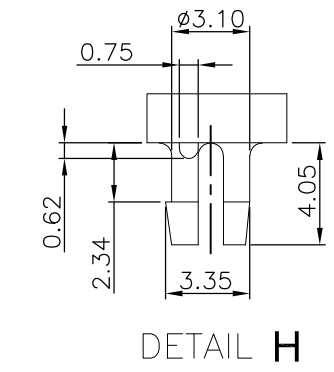
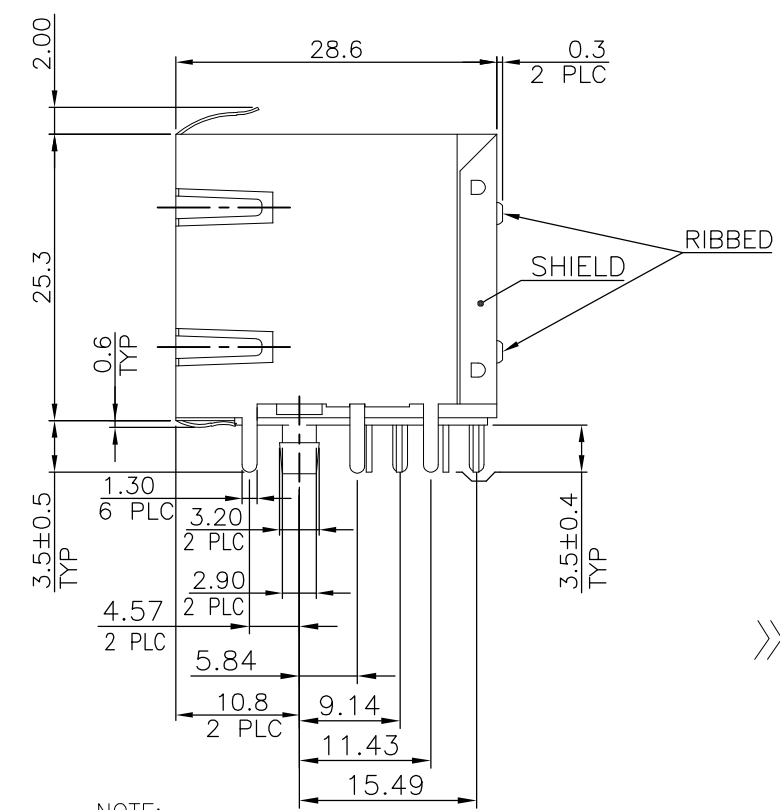
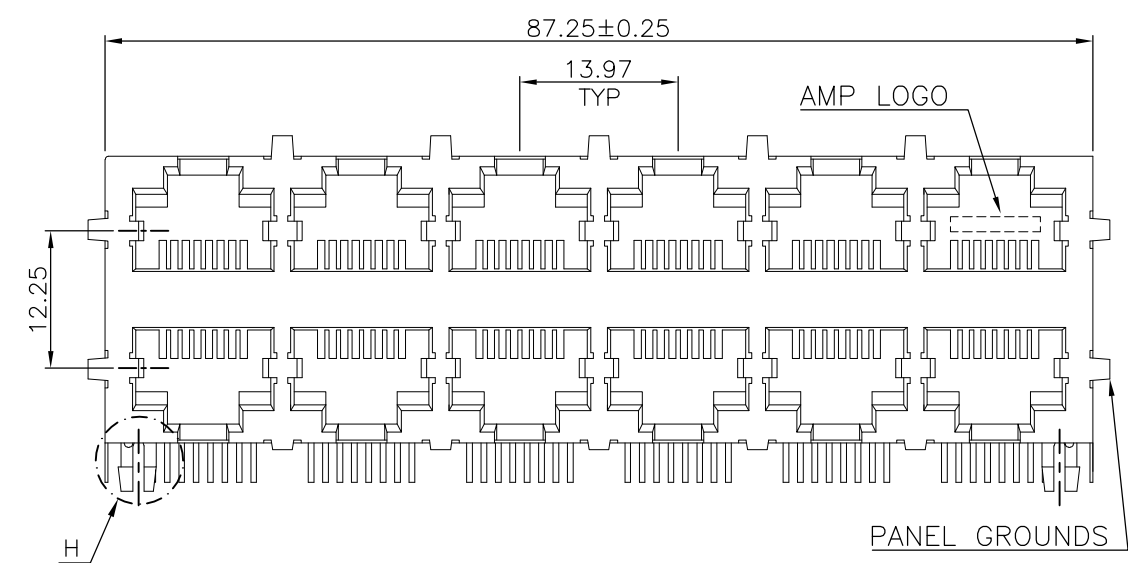


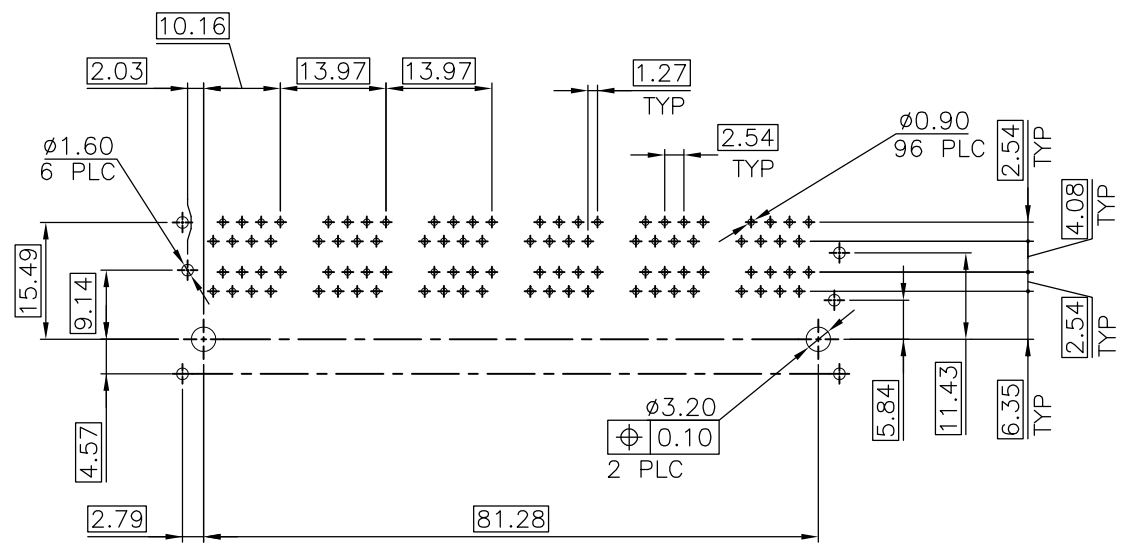
THIS DRAWING IS UNPUBLISHED. RELEASED FOR PUBLICATION
 © COPYRIGHT BY TYCO ELECTRONICS CORPORATION. ALL RIGHTS RESERVED.

LOC	DIST	REVISIONS					
		P	LTR	DESCRIPTION	DATE	DWN	APVD
DW	—	B1		REVISED (ECR-09-010503)	07MAY09	SC	WK
		B2		REVISED PER ECO-09-024606	02NOV09	KK	AEG



- NOTE:
- MATERIAL:
 HOUSING: THERMOPLASTIC (SEE TABLE) WITH 30% GF, UL 94V-0, BLACK COLOR.
 CONTACTS: PHOSPHOR BRONZE.
 SHIELD: BRASS.
 - FINISH:
 CONTACTS: (SEE TABLE) GOLD PLATED ON CONTACT AREA, GOLD FLASH ON SOLDER TAIL, WITH ENTIRE CONTACT UNDERPLATED 1.27µm [50µ"] MIN. NICKEL.
 SHIELD: Δ GOLD FLSH OVER 0.51µm [20µ"] MIN. NICKEL UNDERPLATED OVERALL.
 Δ 0.635µm [25µ"] MIN. NICKEL PLATED.
- Δ WAVE SOLDER CAPABLE TO 220°C
 Δ WAVE SOLDER CAPABLE TO 265°C PER TYCO TEST SPEC. 109-202, CONDITION B.
 Δ OBSOLETE PARTS: OBSOLETE CIS STREAMLINING PER D.RENAUD/D.SINISI

HOUSING'S MATERIAL	NO. OF PORTS	SHIELD PLATING	MIN. GOLD THICKNESS	PART NUMBER	
OBSOLETE	12	Δ	30µ"	6-1734473-6	
			15µ"	6-1734473-5	
			6µ"	6-1734473-4	
	PBT	12	Δ	30µ"	6-1734473-3
				15µ"	6-1734473-2
				6µ"	6-1734473-1



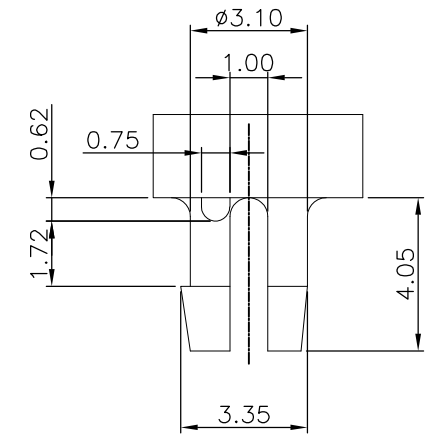
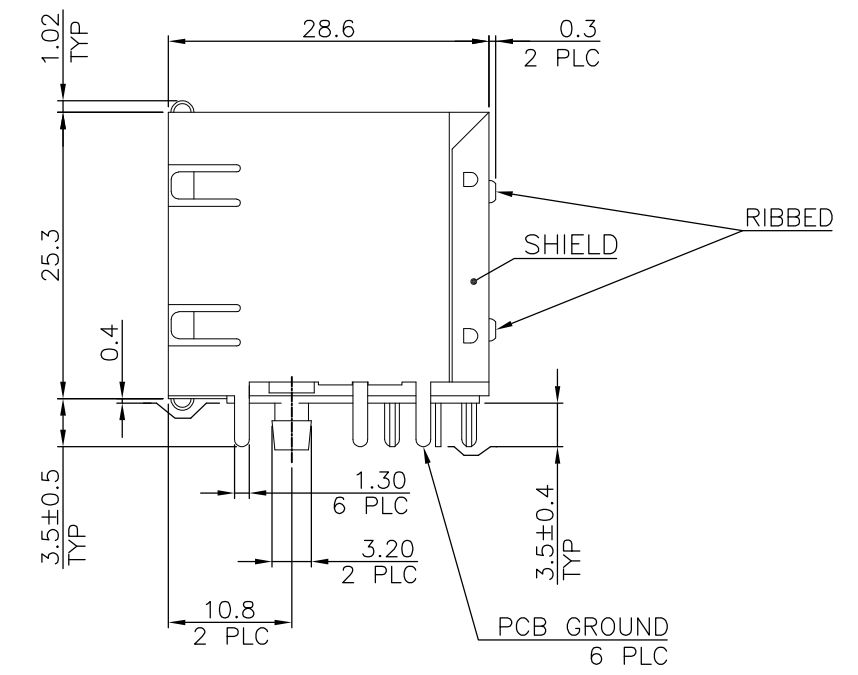
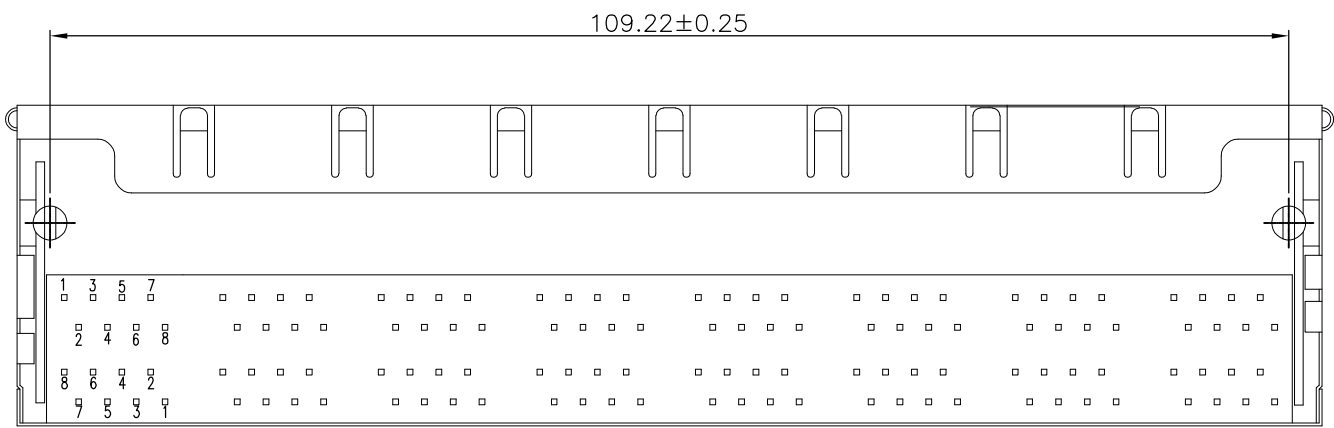
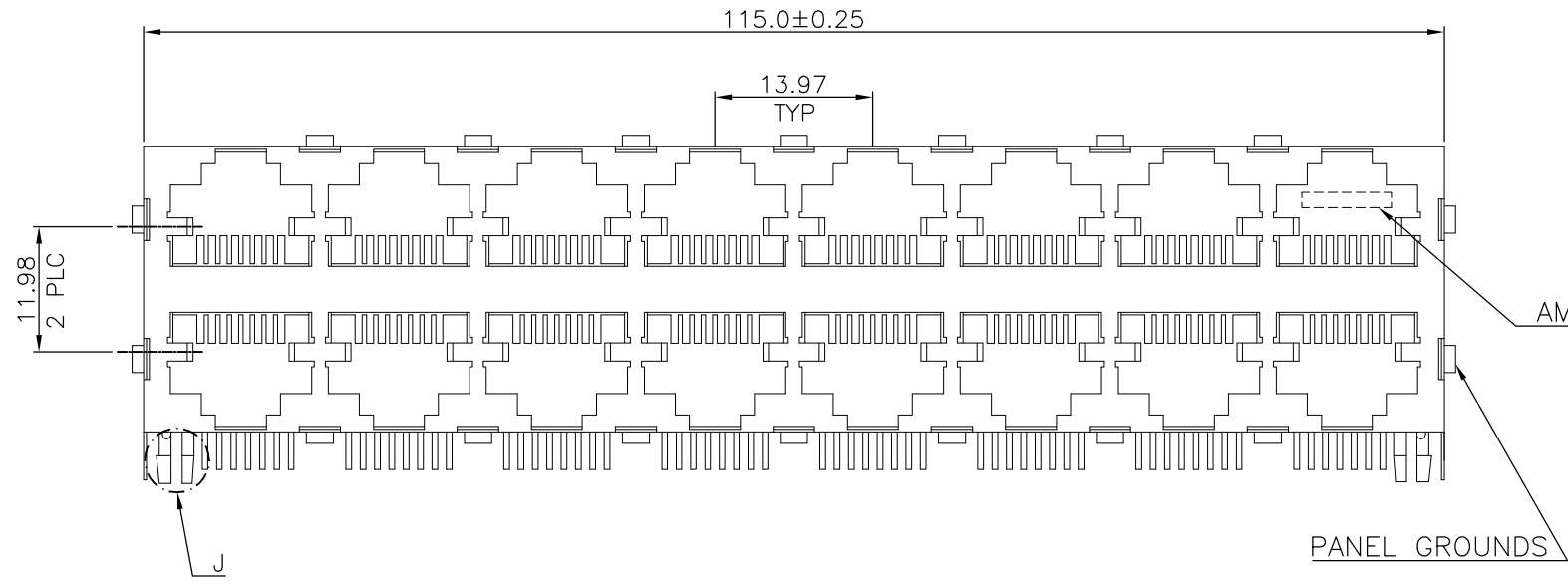
RECOMMENDED PCB LAYOUT (THICKNESS: 1.6mm)
 DIMENSION TOLERANCE: (1 PLC: ±0.1 2PLC: ±0.05)

THIS DRAWING IS A CONTROLLED DOCUMENT.

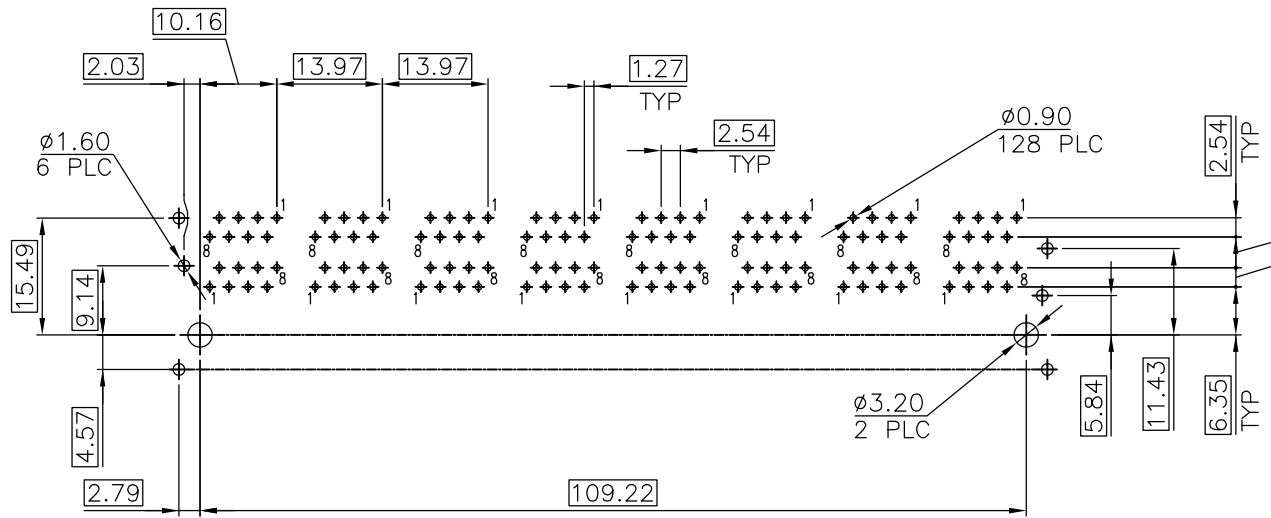
DWN S. CHIEN 07MAY2009	Tyco Electronics Corporation Taipei, Taiwan
CHK S. CHIEN 07MAY2009	
APVD W. KODAMA 07MAY2009	
NAME	
PRODUCT SPEC	108-57535
QUALIFICATION TEST REPORT	501-57625
WEIGHT 70 GRAMS	SIZE A3 CAGE CODE 00779 DRAWING NO C=1734473 RESTRICTED TO —
CUSTOMER DRAWING	SCALE — SHEET 1 OF 5 REV B2

THIS DRAWING IS UNPUBLISHED. RELEASED FOR PUBLICATION
 © COPYRIGHT BY TYCO ELECTRONICS CORPORATION. ALL RIGHTS RESERVED.

LOC	DIST	REVISIONS					
DW	-	P	LTR	DESCRIPTION	DATE	DWN	APVD
				SEE SHEET 1.			



- NOTE:
- MATERIAL:
 HOUSING: PBT WITH 30% GF, UL 94V-0, BLACK COLOR.
 CONTACTS: PHOSPHOR BRONZE.
 SHIELD: BRASS.
 - FINISH:
 CONTACTS: (SEE TABLE) GOLD PLATED ON CONTACT AREA,
 GOLD FLASH ON SOLDER TAIL, WITH ENTIRE
 CONTACT UNDERPLATED 1.27µm [50µ"] MIN. NICKEL.
 - WAVE SOLDER CAPABLE TO 240°C PER TYCO TEST SPEC.
 109-202, CONDITION A.



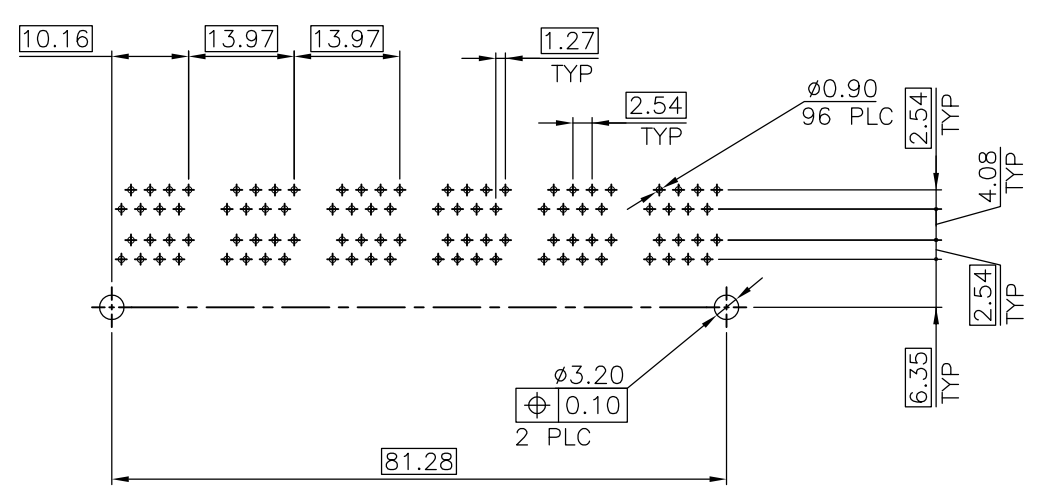
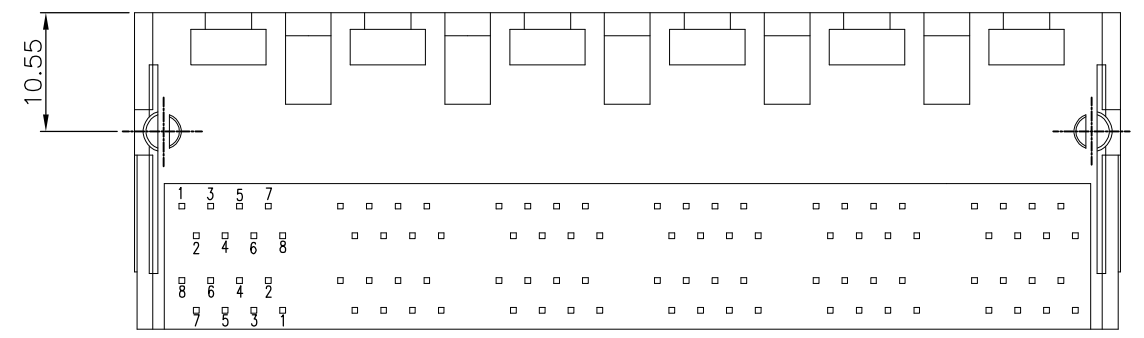
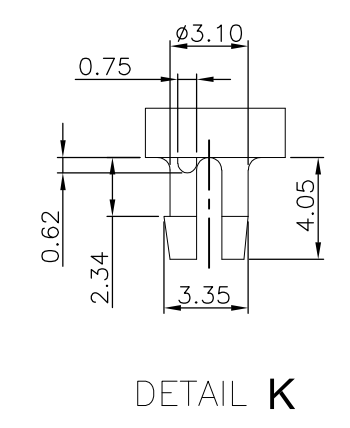
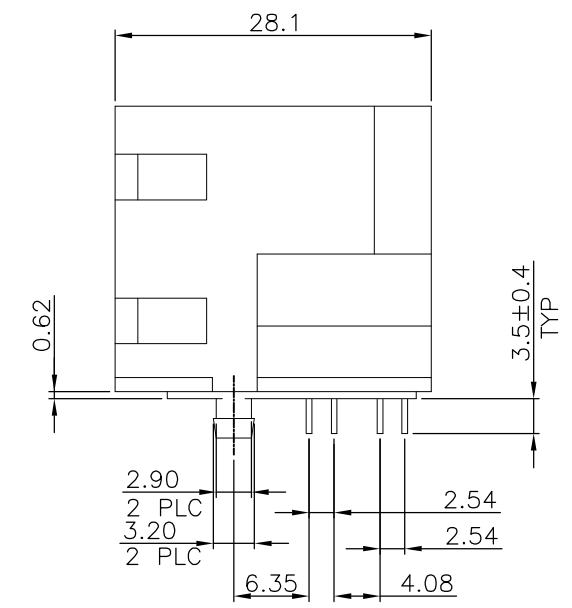
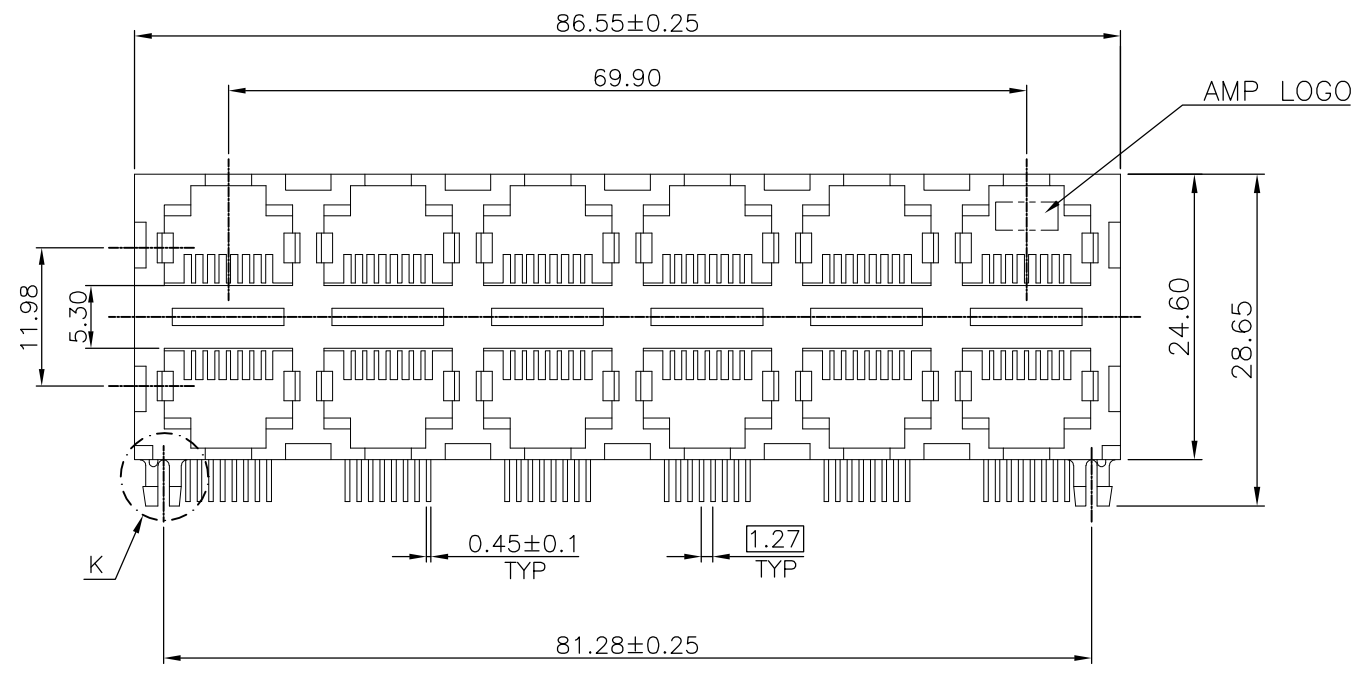
RECOMMENDED PCB LAYOUT (THICKNESS: 1.6mm)
 DIMENSION TOLERANCE: (1 PLC: ±0.1 2PLC: ±0.05)

16	25µ" MIN. NICKEL	W/O	6µ"	2-1734473-8
			30µ"	2-1734473-7
		W/	30µ"	2-1734473-3
			15µ"	2-1734473-2
			6µ"	2-1734473-1
NO. OF PORTS	SHIELD PLATING	TIN PLATED ON PCB GROUNDS	MIN. GOLD THICKNESS	PART NUMBER

THIS DRAWING IS A CONTROLLED DOCUMENT.		DWN	Tyco Electronics Corporation Taipei, Taiwan		
DIMENSIONS: MM		CHK	NAME		
TOLERANCES UNLESS OTHERWISE SPECIFIED:		APVD	MODULAR JACK RJ45, STACKED, MULTI-PORT, SHIELDED, THRU-HOLE, PANEL GROUND		
0 PLC ± 0.50	1 PLC ± 0.38	PRODUCT SPEC	108-57535		
2 PLC ± 0.25	3 PLC ± 0.10	QUALIFICATION TEST REPORT	501-57625		
4 PLC ± -	ANGLES ± -	WEIGHT	SIZE	CAGE CODE	DRAWING NO
MATERIAL SEE NOTE	FINISH SEE NOTE	90.5 GRAMS	A3	00779	C=1734473
CUSTOMER DRAWING		SCALE -	SHEET	2 OF 5	REV B2

THIS DRAWING IS UNPUBLISHED. RELEASED FOR PUBLICATION
 © COPYRIGHT BY TYCO ELECTRONICS CORPORATION. ALL RIGHTS RESERVED.

LOC	DIST	REVISIONS					
DW	—	P	LTR	DESCRIPTION	DATE	DWN	APVD
				SEE SHEET 1.			



NOTE:

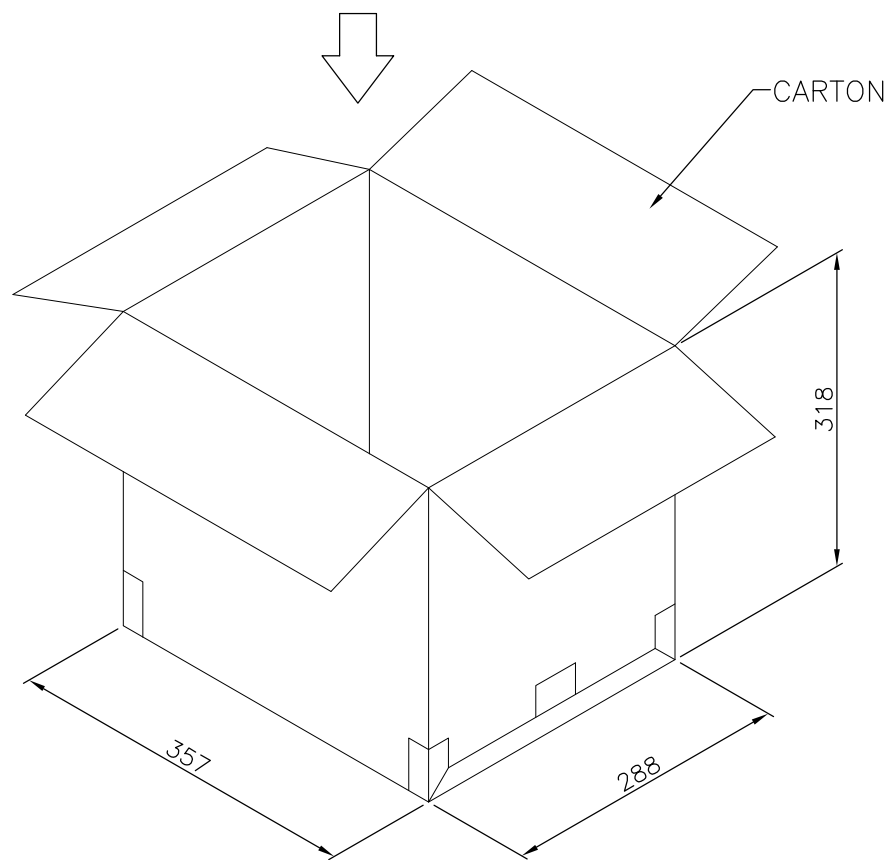
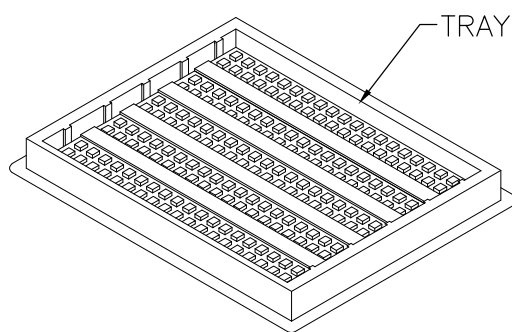
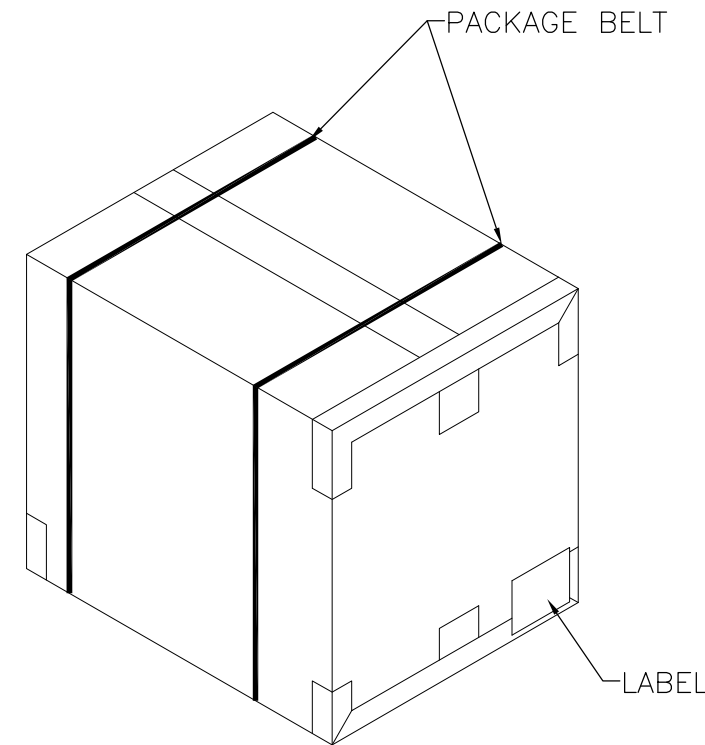
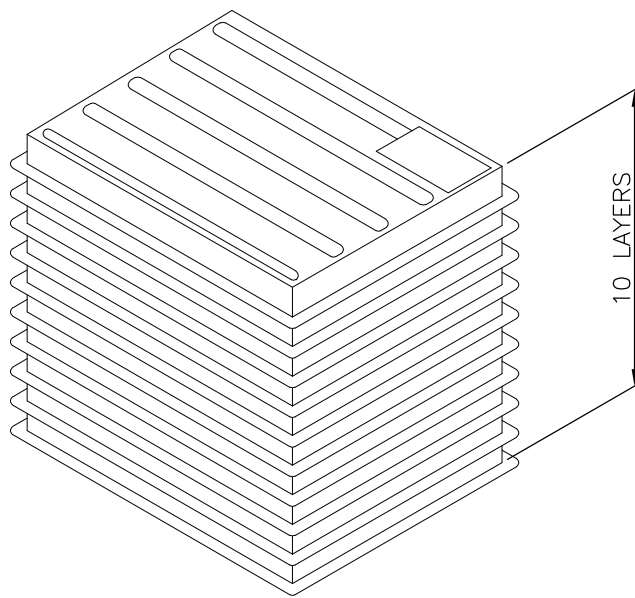
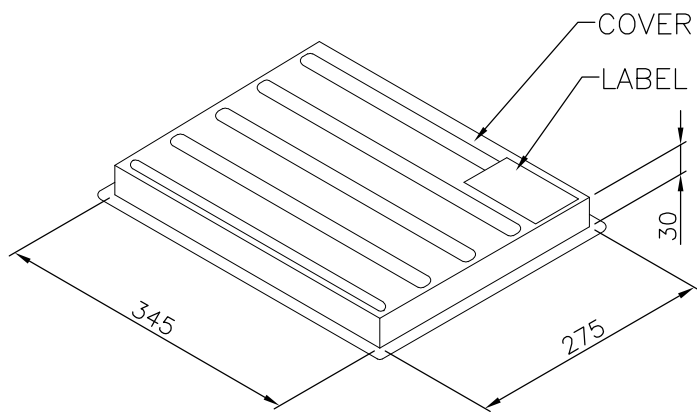
- MATERIAL:
HOUSING: PBT WITH 30% GF, UL 94V-0, BLACK COLOR.
CONTACTS: PHOSPHOR BRONZE.
- FINISH:
CONTACTS: (SEE TABLE) GOLD PLATED ON CONTACT AREA,
GOLD FLASH ON SOLDER TAIL, WITH ENTIRE
CONTACT UNDERPLATED 1.27µm [50µ"] MIN. NICKEL.
- WAVE SOLDER CAPABLE TO 240°C PER TYCO TEST SPEC.
109-202, CONDITION A.
- THIS PRODUCT WITHOUT SHIELD.

12	30µ"	7-1734473-3
	15µ"	7-1734473-2
	6µ"	7-1734473-1
NO. OF PORTS	MIN. GOLD THICKNESS	PART NUMBER

THIS DRAWING IS A CONTROLLED DOCUMENT.		DWN	Tyco Electronics Corporation Taipei, Taiwan		
DIMENSIONS: MM		CHK	NAME		
TOLERANCES UNLESS OTHERWISE SPECIFIED:		APVD	MODULAR JACK RJ45, STACKED, MULTI-PORT, SHIELDED, THRU-HOLE, PANEL GROUND		
0 PLC ± 0.50		PRODUCT SPEC	108-57535		
1 PLC ± 0.38		QUALIFICATION TEST REPORT	501-57625		
2 PLC ± 0.25		WEIGHT	SIZE	CAGE CODE	DRAWING NO
3 PLC ± 0.10		70 GRAMS	A3	00779	C=1734473
4 PLC ± -		CUSTOMER DRAWING	RESTRICTED TO		—
ANGLES ± -			SCALE	SHEET	REV
FINISH			—	3 OF 5	B2
SEE NOTE					

THIS DRAWING IS UNPUBLISHED. RELEASED FOR PUBLICATION
 © COPYRIGHT - BY TYCO ELECTRONICS CORPORATION. ALL RIGHTS RESERVED.

LOC	DIST	REVISIONS					
DW	-	P	LTR	DESCRIPTION	DATE	DWN	APVD
				SEE SHEET 1.			

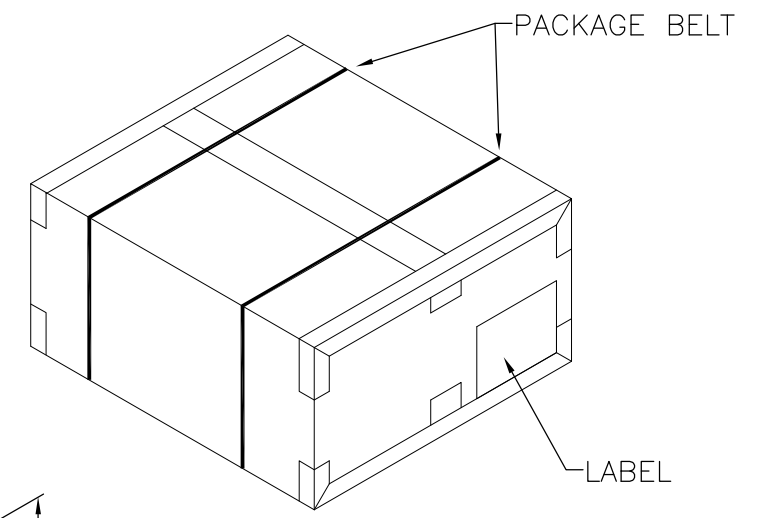
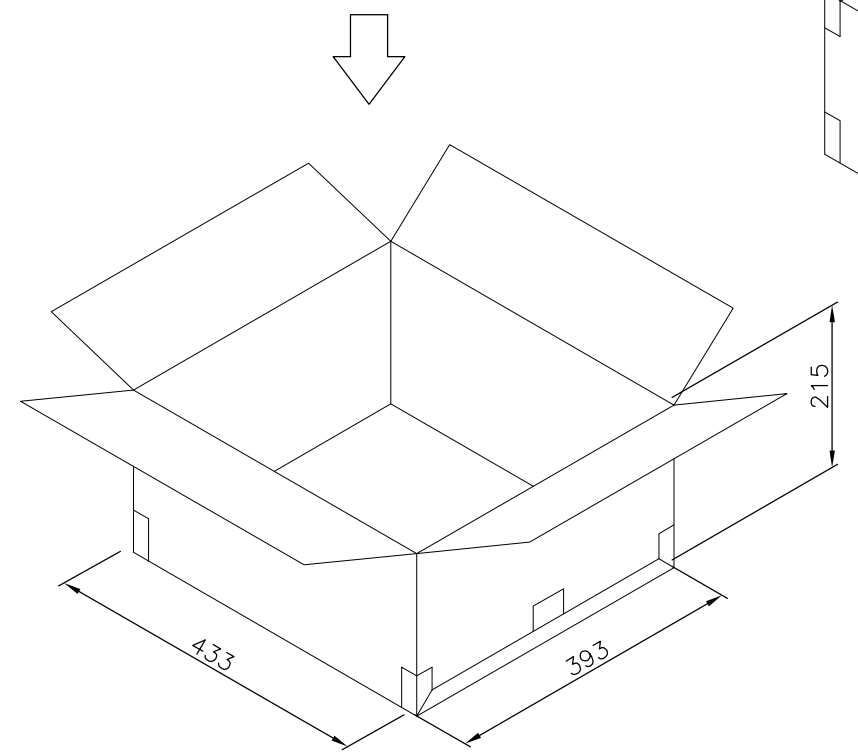
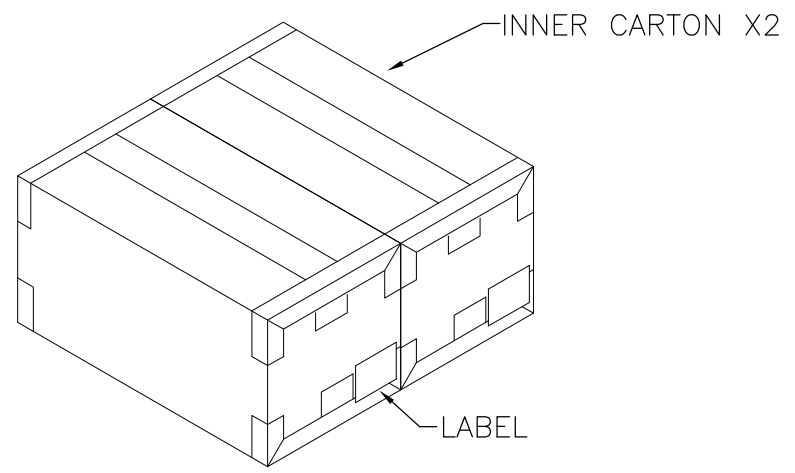
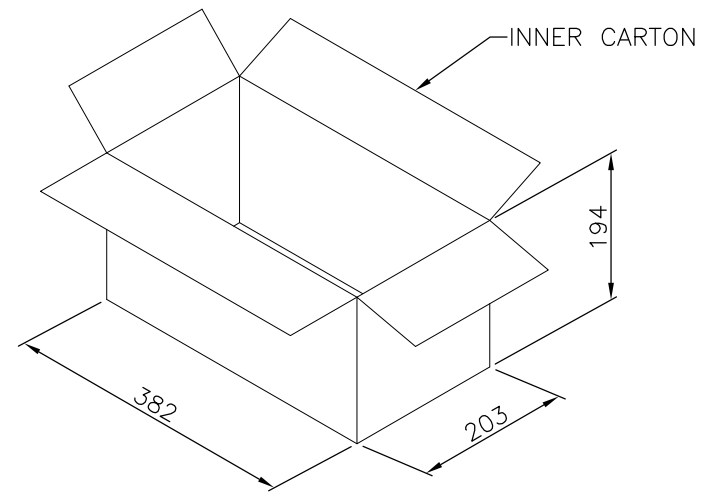
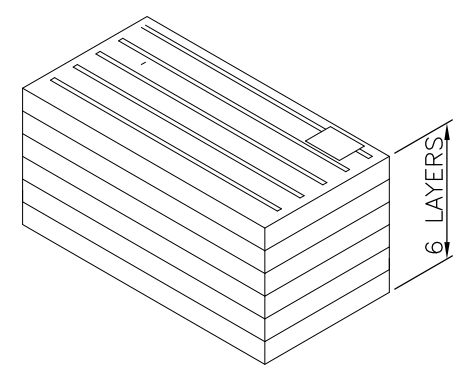
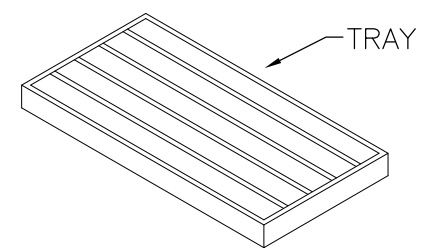
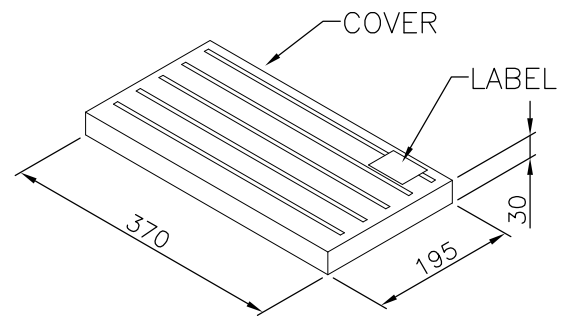


12.5 Kg	10.5 Kg	15	10	150 PCS	6-1734473-X
12.5 Kg	10.5 Kg	15	10	150 PCS	1-1734473-X
GROSS WEIGHT	NET WEIGHT	PCS/TRAY	TRAYS /CARTON	QUANTITY	PART NUMBER

THIS DRAWING IS A CONTROLLED DOCUMENT.		DWN	Tyco Electronics Corporation Taipei, Taiwan			
DIMENSIONS: MM 		CHK				
TOLERANCES UNLESS OTHERWISE SPECIFIED: 0 PLC ± - 1 PLC ± - 2 PLC ± - 3 PLC ± - 4 PLC ± - ANGLES ± - MATERIAL FINISH		APVD	NAME			
		PRODUCT SPEC	MODULAR JACK RJ45, STACKED, MULTI-PORT, SHIELDED, THRU-HOLE, PANEL GROUND			
		APPLICATION SPEC	SIZE	CAGE CODE	DRAWING NO	RESTRICTED TO
		WEIGHT	A3	00779	C=1734473	-
CUSTOMER DRAWING			SCALE	SHEET	REV	
			-	4 OF 5	B2	

THIS DRAWING IS UNPUBLISHED. RELEASED FOR PUBLICATION
 © COPYRIGHT BY TYCO ELECTRONICS CORPORATION. ALL RIGHTS RESERVED.

LOC	DIST	REVISIONS			
P	LTR	DESCRIPTION	DATE	DWN	APVD
		SEE SHEET 1.			



GROSS WEIGHT	NET WEIGHT	PCS/TRAY	TRAYS / CARTON	QUANTITY	PART NUMBER
18 Kg	16.5 Kg	20	6	240 PCS	7-1734473-X
18 Kg	16.5 Kg	15	6	180 PCS	2-1734473-X

THIS DRAWING IS A CONTROLLED DOCUMENT.		DWN	Tyco Electronics Corporation Taipei, Taiwan NAME MODULAR JACK RJ45, STACKED, MULTI-PORT, SHIELDED, THRU-HOLE, PANEL GROUND		
DIMENSIONS: MM	TOLERANCES UNLESS OTHERWISE SPECIFIED:	CHK			
	0 PLC ± -	APVD			
	1 PLC ± -	PRODUCT SPEC			
	2 PLC ± -	APPLICATION SPEC	SIZE	CAGE CODE	DRAWING NO
	3 PLC ± -	WEIGHT	A3	00779	C=1734473
	4 PLC ± -	CUSTOMER DRAWING	SCALE	SHEET	REV
	ANGLES ± -		-	5 OF 5	B2
MATERIAL	FINISH				

Данный компонент на территории Российской Федерации

Вы можете приобрести в компании MosChip.

Для оперативного оформления запроса Вам необходимо перейти по данной ссылке:

<http://moschip.ru/get-element>

Вы можете разместить у нас заказ для любого Вашего проекта, будь то серийное производство или разработка единичного прибора.

В нашем ассортименте представлены ведущие мировые производители активных и пассивных электронных компонентов.

Нашей специализацией является поставка электронной компонентной базы двойного назначения, продукции таких производителей как XILINX, Intel (ex.ALTERA), Vicor, Microchip, Texas Instruments, Analog Devices, Mini-Circuits, Amphenol, Glenair.

Сотрудничество с глобальными дистрибьюторами электронных компонентов, предоставляет возможность заказывать и получать с международных складов практически любой перечень компонентов в оптимальные для Вас сроки.

На всех этапах разработки и производства наши партнеры могут получить квалифицированную поддержку опытных инженеров.

Система менеджмента качества компании отвечает требованиям в соответствии с ГОСТ Р ИСО 9001, ГОСТ РВ 0015-002 и ЭС РД 009

Офис по работе с юридическими лицами:

105318, г.Москва, ул.Щербаковская д.3, офис 1107, 1118, ДЦ «Щербаковский»

Телефон: +7 495 668-12-70 (многоканальный)

Факс: +7 495 668-12-70 (доб.304)

E-mail: info@moschip.ru

Skype отдела продаж:

moschip.ru

moschip.ru_4

moschip.ru_6

moschip.ru_9