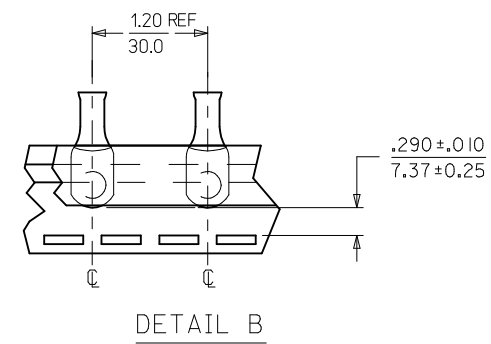
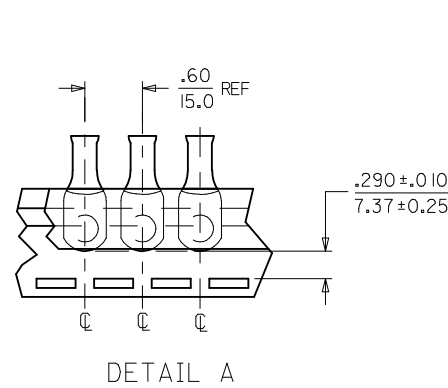
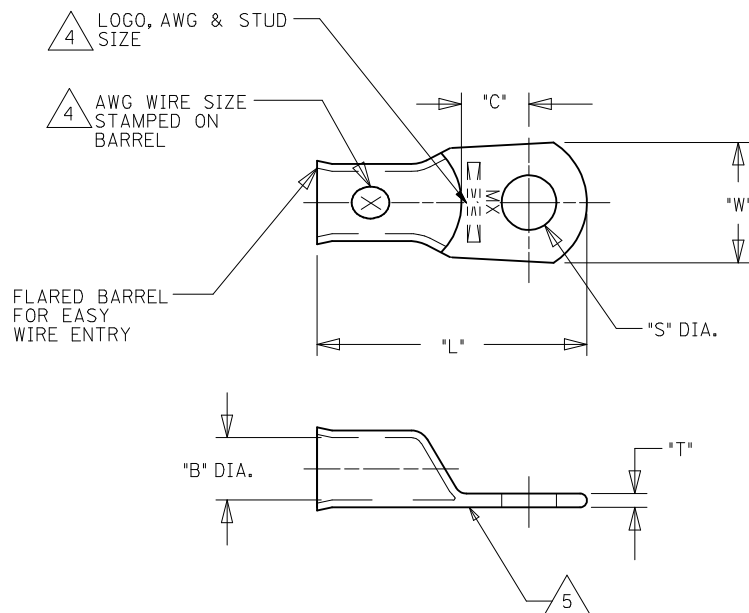


| | 13 | 12 | 11 | 10 | 9 | 8 | 7 | 6 | 5 | 4 | 3 | 2 | 1 | | | | |
|---|--------------------------|----------------------|---------------------------|---------------------------|------------------------|---------------------------|-------------------------|-------------------------|------------|-----------|-------------------------|------------|-------------|------------|----------------|-----------|-----------|
| | UNPLATED MATERIAL NUMBER | UNPLATED ENG. NUMBER | UNPLATED MAT. NO. ON TAPE | UNPLATED ENG. NO. ON TAPE | PLATED MATERIAL NUMBER | PLATED ENGINEERING NUMBER | PLATED MAT. NO. ON TAPE | PLATED ENG. NO ON TAPE | SEE DETAIL | STUD SIZE | WIRE RANGE | "S" | "L" | "W" | "C" | "B" | "T" |
| J | 192210408 | BCL-810 | 190820012 | BCL-810T | 192210223 | BCL-810-PL | 190820011 | BCL-810-PLT | A | 10/4.8mm | 8 AWG/10mm ² | .214/5.45 | 1.187/30.15 | .438/11.13 | .376/9.55 | .185/4.70 | .070/1.78 |
| | 192210409 | BCL-814 | 190820014 | BCL-814T | 192210224 | BCL-814-PL | 190820013 | BCL-814-PLT | A | 1/4"/M6 | 8 AWG/10mm ² | .278/7.06 | 1.187/30.15 | .438/11.13 | .376/9.55 | .185/4.70 | .070/1.78 |
| | 192210562 | BCL-814-WP | --- | --- | 192210563 | BCL-814-WP-PL | --- | --- | --- | 1/4"/M6 | 8 AWG/10mm ² | .278/7.06 | 1.313/33.35 | .594/15.09 | .422/10.72 (2) | .185/4.70 | .070/1.78 |
| | 192210411 | BCL-8516 | 190820017 | BCL-8516T | 192210225 | BCL-8516-PL | --- | --- | A | 5/16"/M8 | 8 AWG/10mm ² | .340/8.63 | 1.187/30.15 | .438/11.13 | .376/9.55 | .185/4.70 | .070/1.78 |
| | 192210482 | BCL-8516-WP | --- | --- | 192210483 | BCL-8516-WP-PL | 190820016 | BCL-8516-PLT | B | 5/16"/M8 | 8 AWG/10mm ² | .340/8.63 | 1.313/33.35 | .594/15.09 | .422/10.72 | .185/4.70 | .070/1.78 |
| | 192210410 | BCL-838-WP | 190820015 | BCL-838-WPT | 192210226 | BCL-838-WP-PL | 192210566 | BCL-838-WP-PLT | B | 3/8"/M9 | 8 AWG/10mm ² | .400/10.16 | 1.313/33.35 | .594/15.09 | .422/10.72 | .185/4.70 | .070/1.78 |
| I | 192210481 | BCL-838-XWP | --- | --- | 192210484 | BCL-838-XWP-PL | --- | --- | --- | 3/8"/M9 | 8 AWG/10mm ² | .400/10.16 | 1.469/37.31 | .766/19.46 | .394/10.01 | .185/4.70 | .070/1.78 |
| | 192210415 | BCL-812-XWP | --- | --- | 192210414 | BCL-812-XWP-PL | --- | --- | --- | 1/2"/M12 | 8 AWG/10mm ² | .520/13.21 | 1.469/37.31 | .766/19.46 | .394/10.01 | .185/4.70 | .070/1.78 |
| | 192210425 | BCL-610 | --- | --- | 192210424 | BCL-610-PL | 190820003 | BCL-610-PLT | B | 10/4.8mm | 6 AWG/16mm ² | .214/5.45 | 1.281/32.54 | .438/11.13 | .381/9.68 (2) | .232/5.89 | .075/1.90 |
| | 192210406 | BCL-614-WP | 190820006 | BCL-614T | 192210227 | BCL-614-WP-PL | 190820005 | BCL-614-PLT | B | 1/4"/M6 | 6 AWG/16mm ² | .278/7.06 | 1.406/35.72 | .594/15.09 | .427/10.85 (2) | .232/5.89 | .080/2.03 |
| | 192210494 | BCL-614 | --- | --- | 192210495 | BCL-614-PL | 192210498 | BCL-614-PLT | B | 1/4"/M6 | 6 AWG/16mm ² | .278/7.06 | 1.281/32.54 | .438/11.13 | .381/9.68 (2) | .232/5.89 | .075/1.90 |
| | 192210407 | BCL-6516-WP | --- | --- | 192210228 | BCL-6516-WP-PL | 190820009 | BCL-6516-PLT | B | 5/16"/M8 | 6 AWG/16mm ² | .340/8.63 | 1.406/35.72 | .594/15.09 | .427/10.85 (2) | .232/5.89 | .080/2.03 |
| | 192210493 | BCL-6516 | 190820010 | BCL-6516T | 192210492 | BCL-6516-PL | 192210499 | BCL-6516-PLT | B | 5/16"/M8 | 6 AWG/16mm ² | .340/8.63 | 1.281/32.54 | .438/11.13 | .381/9.68 (2) | .232/5.89 | .075/1.90 |
| H | 192210384 | BCL-638-WP | 190820008 | BCL-638T | 192210229 | BCL-638-WP-PL | 190820007 | BCL-638-PLT | B | 3/8"/M9 | 6 AWG/16mm ² | .400/10.16 | 1.406/35.72 | .594/15.09 | .427/10.85 (2) | .232/5.89 | .080/2.03 |
| | 192210569 | BCL-638-XWP | --- | --- | 192210568 | BCL-638-XWP-PL | --- | --- | --- | 3/8"/M9 | 6 AWG/16mm ² | .400/10.16 | 1.563/39.70 | .766/19.46 | .472/11.99 (2) | .232/5.89 | .080/2.03 |
| | 192210417 | BCL-612-XWP | --- | --- | 192210416 | BCL-612-XWP-PL | 190820004 | BCL-612-PLT | B | 1/2"/M12 | 6 AWG/16mm ² | .520/13.21 | 1.563/39.70 | .766/19.46 | .472/11.99 (2) | .232/5.89 | .080/2.03 |



SALES DRAWING

- NOTES:
- FOR INSPECTION SIGHT HOLE, PLEASE CONSULT FACTORY.
 - OTHER STUD SIZES MAY BE AVAILABLE, PLEASE CONSULT FACTORY.
 - MATERIAL: COPPER
PLATING: TIN
 - MARKINGS CAN BE AT EITHER LOCATION SHOWN.
 - IF TONGUE IS TO BE BENT AT ANY ANGLE, IT MUST BE BENT AROUND A RADIUS ONE HALF THE TONGUE THICKNESS.
 - ALL PARTS ARE ROHS COMPLIANT.

| | | | | | | | | | |
|--|-------------------------------|---------------------------------------|-------|---------------------------|------------------|--|----------------------|------------------------|--|
| CORRECTED 'C' DIMS EC NO: IFC2014-0913 DRAWING: JASO1 2013/11/18 CHKD: JACNEIL 2013/11/18 APPR: JACNEIL 2013/12/01 | QUALITY SYMBOLS ▽=0 ▽=0 | GENERAL TOLERANCES (UNLESS SPECIFIED) | | DIMENSION STYLE IN/MM | | SCALE --- | DESIGN UNITS INCH | THIRD ANGLE PROJECTION | |
| | | 4 PLACES ± --- | ± --- | DRAWN BY DMYRICK | DATE 2005/5/3 | TITLE EYELET STYLE COPPER TERMINALS 8 AND 6 AWG LUGS | | | |
| L2 | REV | 3 PLACES ± --- | ± --- | CHECKED BY RDEROSS | DATE 2005/5/3 | MOLEX INCORPORATED | | | |
| | | 2 PLACES ± --- | ± --- | APPROVED BY RDEROSS | DATE 2005/5/3 | DOCUMENT NO. SD-19221-001 | | SHEET NO. 1 OF 1 | |
| DRAFT WHERE APPLICABLE MUST REMAIN WITHIN DIMENSIONS | | ANGULAR ± ---° | | MATERIAL NO. SEE CHART | | THIS DRAWING CONTAINS INFORMATION THAT IS PROPRIETARY TO MOLEX INCORPORATED AND SHOULD NOT BE USED WITHOUT WRITTEN PERMISSION | | | |

Данный компонент на территории Российской Федерации

Вы можете приобрести в компании MosChip.

Для оперативного оформления запроса Вам необходимо перейти по данной ссылке:

<http://moschip.ru/get-element>

Вы можете разместить у нас заказ для любого Вашего проекта, будь то серийное производство или разработка единичного прибора.

В нашем ассортименте представлены ведущие мировые производители активных и пассивных электронных компонентов.

Нашей специализацией является поставка электронной компонентной базы двойного назначения, продукции таких производителей как XILINX, Intel (ex.ALTERA), Vicor, Microchip, Texas Instruments, Analog Devices, Mini-Circuits, Amphenol, Glenair.

Сотрудничество с глобальными дистрибьюторами электронных компонентов, предоставляет возможность заказывать и получать с международных складов практически любой перечень компонентов в оптимальные для Вас сроки.

На всех этапах разработки и производства наши партнеры могут получить квалифицированную поддержку опытных инженеров.

Система менеджмента качества компании отвечает требованиям в соответствии с ГОСТ Р ИСО 9001, ГОСТ РВ 0015-002 и ЭС РД 009

Офис по работе с юридическими лицами:

105318, г.Москва, ул.Щербаковская д.3, офис 1107, 1118, ДЦ «Щербаковский»

Телефон: +7 495 668-12-70 (многоканальный)

Факс: +7 495 668-12-70 (доб.304)

E-mail: info@moschip.ru

Skype отдела продаж:

moschip.ru

moschip.ru_4

moschip.ru_6

moschip.ru_9