

## Description

The PAM8304 is a mono filter-less Class-D amplifier with high SNR and differential input that helps eliminate noise. The PAM8304 supports 2.8V to 6V operation make it idea for up to 4 cells alkaline battery applications. The PAM8304 is capable of driving speaker loads as low as 3Ω speaker with a 5V supply maximizing the output power.

Features like greater than 90% efficiency and small PCB area make the PAM8304 Class-D amplifier ideal for portable applications. The output uses a filter-less architecture minimizing the number of external components and PCB area whilst providing a high performance, simple and lower cost system.

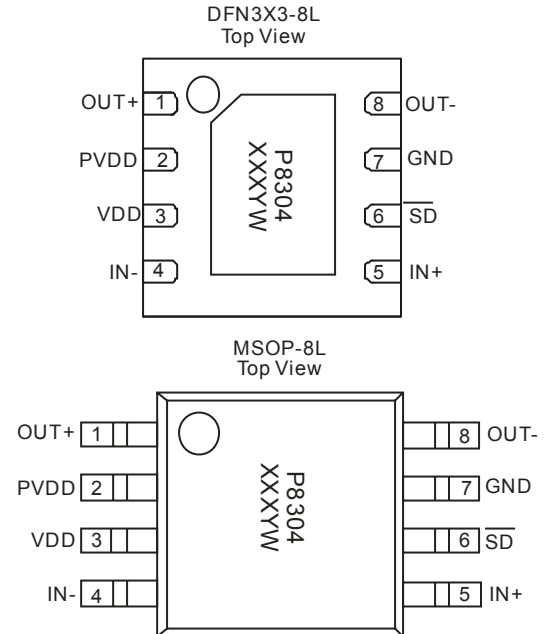
The PAM8304 features short circuit protection, thermal shutdown and under voltage lock-out.

The PAM8304 is available in DFN3030-8L and MOP-8L packages.

## Features

- Supply Voltage from 2.8V to 6.0 V
- 3Ω Driving Capability
- 3.0W@10% THD Output with a 4Ω Load and 5V Supply
- High Efficiency up to 90% @1W with an 8Ω Load
- Shutdown Current <1μA
- Superior Low Noise without Input
- Short Circuit Protection
- Thermal Shutdown
- Available in Space Saving DFN3030-8L and MSOP-8L Packages
- Pb-Free Package

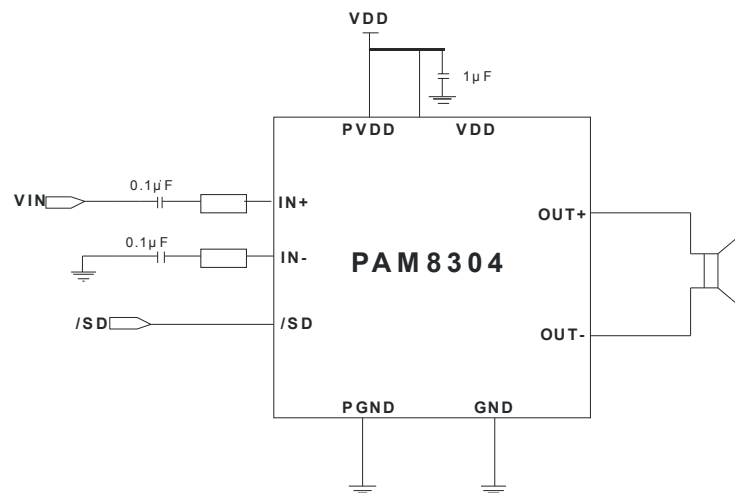
## Pin Assignments



## Applications

- MP4/MP3
- GPS
- Set-Top-Box
- Tablets/Digital Photo Frame
- Electronic Dictionary
- Portable Game Machines

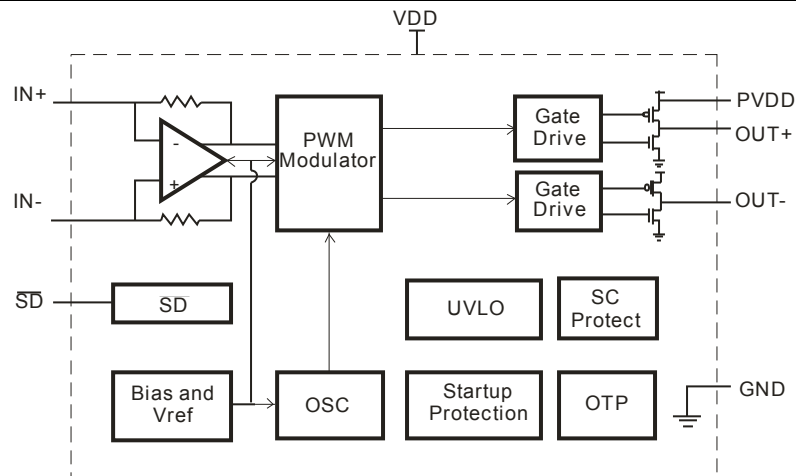
## Typical Applications Circuit



## Pin Descriptions

Pin Name	MSOP-8L/DFN3x3-8L	Function
OUT+	1	Positive BTL Output
PVDD	2	Power Supply
VDD	3	Analog Power Supply
IN-	4	Negative Differential Input
IN+	5	Positive Differential Input
/SD	6	Shutdown Terminal, Active Low
GND	7	Ground
OUT-	8	Negative BTL Output
Exposed Pad	—	NC

## Functional Block Diagram



## Absolute Maximum Ratings (@T<sub>A</sub> = +25°C, unless otherwise specified.)

Parameter	Rating	Unit
Supply Voltage (VDD)	6.5	V
Input Voltage (IN+, IN-, /SD)	-0.3 to V <sub>DD</sub> +0.3	V
Storage Temperature	-65 to +150	°C
Maximum Junction Temperature	150	°C

## Recommended Operating Conditions (@T<sub>A</sub> = +25°C, unless otherwise specified.)

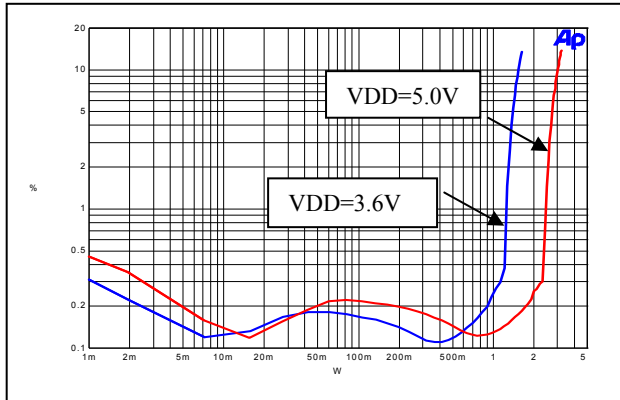
Symbol	Parameter	Min	Max	Unit
V <sub>DD</sub>	Supply Voltage	2.8	6.0	V
T <sub>A</sub>	Operating Ambient Temperature Range	-40	+85	°C
T <sub>J</sub>	Junction Temperature Range	-40	+125	°C

**Electrical Characteristics** (@TA=25°C, VDD=5V, Gain=18dB, RL=L(33μH)+R+L(33μH), unless otherwise noted.)

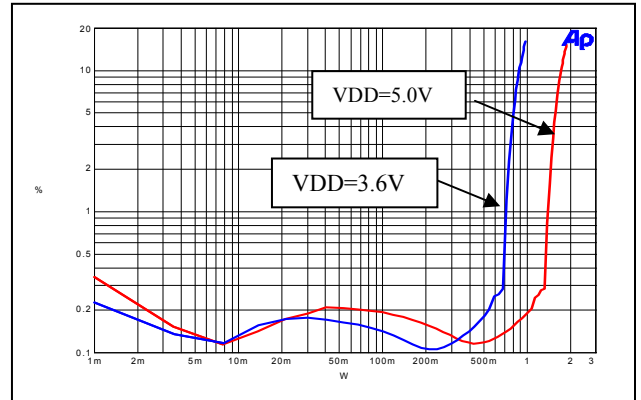
Symbol	Parameter	Test Conditions		Min	Typ	Max	Unit
VDD	Supply Voltage			2.8		6.0	V
Po	Output Power	THD+N = 10%, f = 1kHz, R = 4Ω	VDD = 5.0V		3.0		W
			VDD = 3.6V		1.5		
			VDD = 3.2V		1.2		
		THD+N = 1%, f = 1kHz, R = 4Ω	VDD = 5.0V		2.4		W
			VDD = 3.6V		1.25		
			VDD = 3.2V		1.0		
		THD+N = 10%, f = 1kHz, R = 8Ω	VDD = 5.0V		1.75		W
			VDD = 3.6V		0.90		
			VDD = 3.2V		0.70		
		THD+N = 1%, f = 1kHz, R = 8Ω	VDD = 5.0V		1.40		W
			VDD = 3.6V		0.72		
			VDD = 3.2V		0.60		
THD+N	Total Harmonic Distortion Plus Noise	f = 1kHz	VDD = 5.0V, Po = 1W, R = 8Ω		0.17		%
			VDD = 3.6V, Po = 0.1W, R = 8Ω		0.16		
			VDD = 3.2V, Po = 0.1W, R = 8Ω		0.14		
		f = 1kHz	VDD = 5.0V, Po = 0.5W, R = 4Ω		0.14		%
			VDD = 3.6V, Po = 0.2W, R = 4Ω		0.16		
			VDD = 3.2V, Po = 0.1W, R = 4Ω		0.17		
PSRR	Power Supply Ripple Rejection	VDD = 3.6V, Inputs ac-grounded with C = 1μF	f=217Hz		-68		dB
			f=1kHz		-70		
			f=10kHz		-67		
Dyn	Dynamic Range	VDD = 5V, THD = %, R = 8Ω	f=1kHz		95		dB
Vn	Output Noise	Inputs ac-grounded	No A weighting		170		μV
			A-weighting		130		
η	Efficiency	RL = 8Ω, THD = 10%	f=1kHz		93		%
		RL = 4Ω, THD = 10%			86		
IQ	Quiescent Current	VDD = 5V	No Load		5		mA
I <sub>sd</sub>	Shutdown Current	VDD = 2.8V to 5V	/SD=0V			1	μA
R <sub>dson</sub>	Static Drain-to Source On-state Resistor	High Side PMOS, I = 500mA	VDD=5.0V		325		mΩ
		Low Side NMOS, I = 500mA	VDD=5.0V		200		mΩ
f <sub>sw</sub>	Switching Frequency	VDD = 2.8V to 5V			400		kHz
G <sub>v</sub>	Closed-loop Gain	VDD = 2.8V to 5V			300K/R <sub>in</sub>		V/V
V <sub>os</sub>	Output Offset Voltage	Input ac-ground, VDD = 5V				50	mV
V <sub>IH</sub>	SD Input High Voltage	VDD = 5V		1.4			V
V <sub>IL</sub>	SD Input Low Voltage	VDD = 5V				1.0	

**Performance Characteristics** (@TA=25°C, VDD=5V, Gain=18dB, RL=L(33μH)+R+L(33μH), unless otherwise noted.)

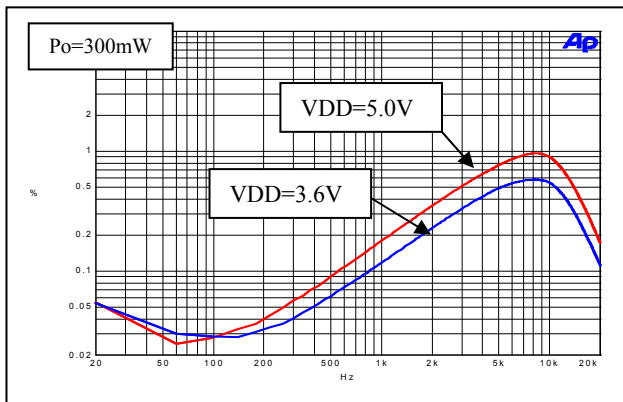
THD+N Vs. Output Power (RL=4Ω)



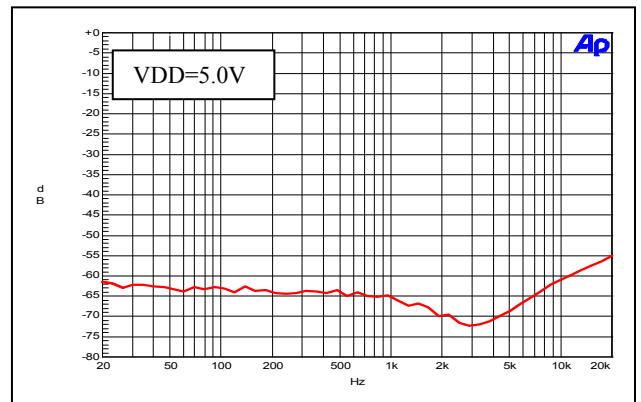
THD+N Vs. Output Power (RL=8Ω)



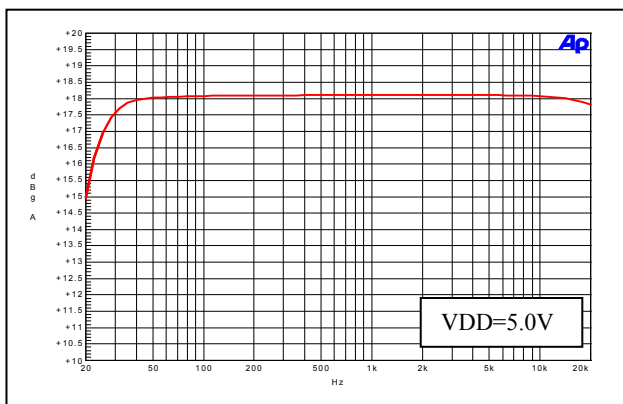
THD+N Vs. Frequency



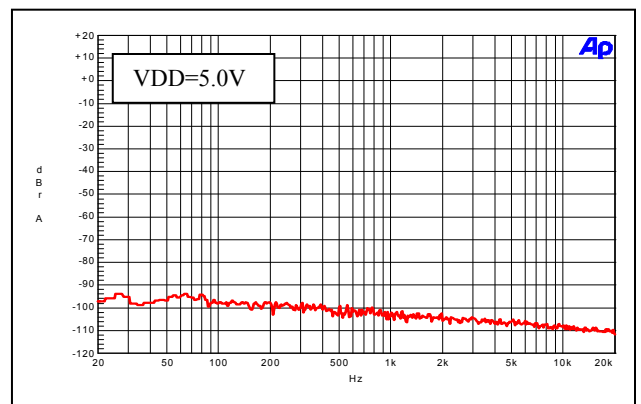
PSRR Vs. Frequency



Frequency Response

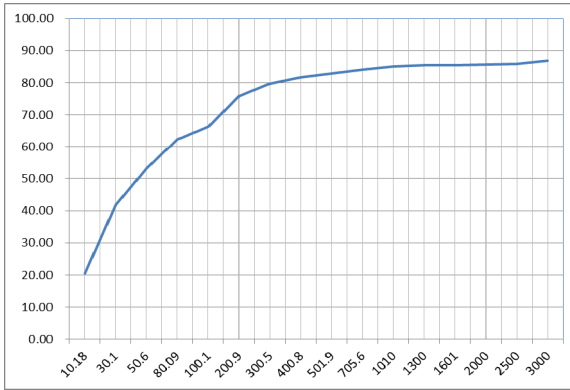


Noise Floor

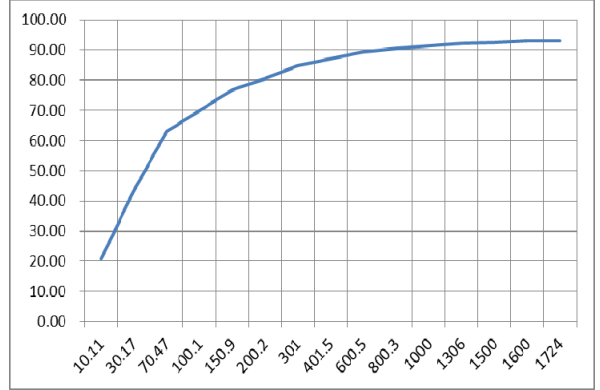


**Performance Characteristics** (@TA=25°C, VDD=5V, Gain=18dB, RL=L(33μH)+R+L(33μH), unless otherwise noted.)

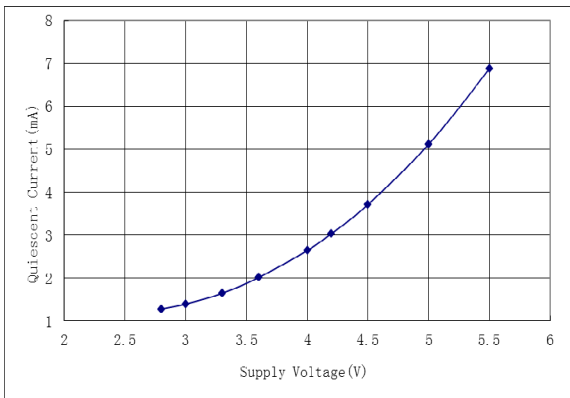
Efficiency Vs. Output Power (RL=4Ω)



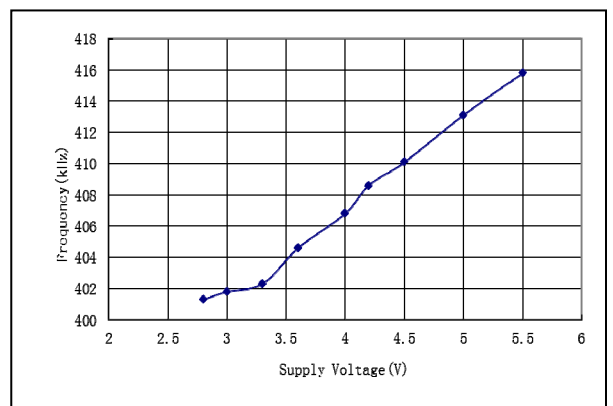
Efficiency Vs. Output Power (RL=8Ω)



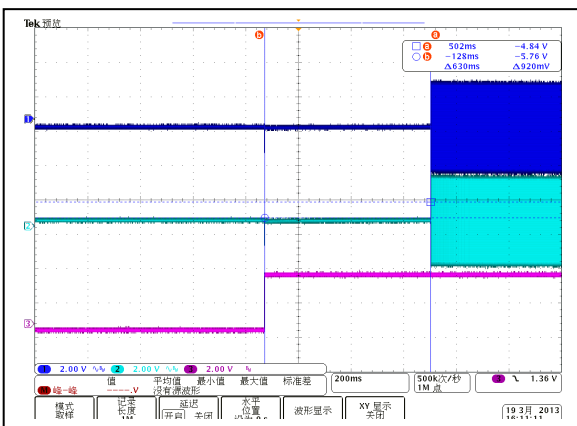
Quiescent Current Vs. Supply Voltage



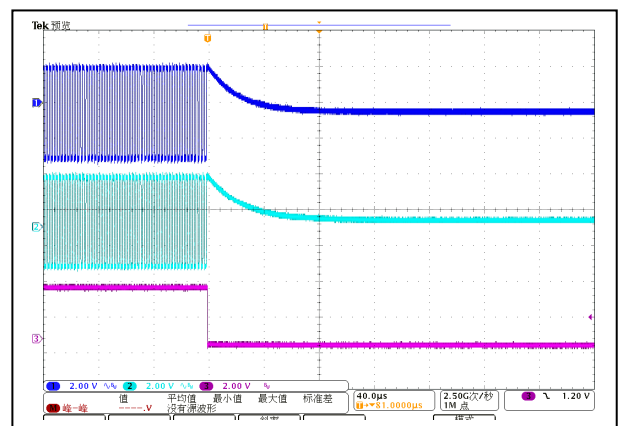
OSC Frequency Vs. Supply Voltage



Start-up Response



Shutdown Response



## Application Information

### Input Capacitors (C<sub>i</sub>)

In the typical application an input capacitor C<sub>i</sub> is required to allow the amplifier to bias the input signal to the proper DC level for optimum operation. In this case, C<sub>i</sub> and the minimum input impedance R<sub>i</sub> form a high-pass filter with the corner frequency determined in the follow equation:

$$f_c = \frac{1}{(2\pi R_i C_i)}$$

It is important to consider the value of C<sub>i</sub> as it directly affects the low frequency performance of the circuit. For example, when R<sub>i</sub> is 150kΩ and the specification calls for a flat bass response down to 150Hz. The equation is reconfigured as followed to determine the value of C<sub>i</sub>:

$$C_i = \frac{1}{(2\pi R_i f_c)}$$

When input resistance variation is considered, if C<sub>i</sub> is 7nF one would likely choose a value of 10nF. A further consideration for this capacitor is the leakage path from the input source through the input network (C<sub>i</sub>, R<sub>i</sub> and R<sub>f</sub>) to the load. This leakage current creates a DC offset voltage at the input to the amplifier that reduces useful headroom, especially in high gain applications. For this reason, a low-leakage tantalum or ceramic capacitor is the best choice. When polarized capacitors are used the positive side of the capacitor should face the amplifier input in most applications as the DC level is held at VDD/2, which is likely higher than the source DC level. Please note that it is important to confirm the capacitor polarity in the application.

### Decoupling Capacitor (C<sub>S</sub>)

The PAM8304 is a high-performance CMOS audio amplifier that requires adequate power supply decoupling to ensure the output total harmonic distortion (THD) as low as possible. Power supply decoupling also prevents the oscillations causing by long lead length between the amplifier and the speaker.

Optimum decoupling is achieved by using two different types of capacitors that target different types of noise on the power supply leads. Higher frequency transients, spikes or digital hash should be filtered with a good low equivalent-series-resistance (ESR) ceramic capacitor with a value of typically 1μF. This capacitor should be placed as close as possible to the VDD pin of the device. Lower frequency noise signals should be filtered with a large ceramic capacitor of 10μF or greater. It's recommended to place this capacitor near the audio power amplifier.

### How to Reduce EMI

Most applications require a ferrite bead filter for EMI elimination as shown in Figure 1. The ferrite filter reduces EMI around 1MHz and higher. When selecting a ferrite bead it should be chosen with high impedance at high frequencies but low impedance at low frequencies.

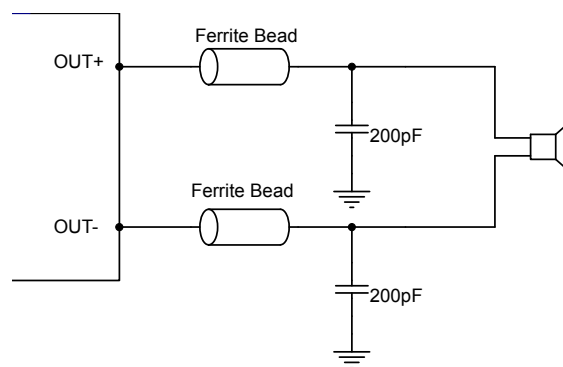


Figure 1 Ferrite Bead Filter to Reduce EMI

---

## Application Information (cont.)

---

### Shutdown Operation

In order to reduce power consumption while not in use the PAM8304 contains amplifier shutdown circuitry. When a logic low or ground is applied to the /SD pin the PAM8304 will enter a standby mode and supply current drawn will be minimized.

### Under Voltage Lock-out (UVLO)

The PAM8304 incorporates circuitry designed to detect low supply voltage. When the supply voltage drops to 2.0V or below, the PAM8304 goes into a state of shutdown. The device returns to normal operation only when VDD is higher than 2.5V.

### Short Circuit Protection (SCP)

The PAM8304 has short circuit protection circuitry on the outputs to prevent the device from damage when output-to-output shorts or output-to-GND shorts occur. When a short circuit occurs, the device immediately goes into shutdown state. Once the short is removed the device will be reactivated.

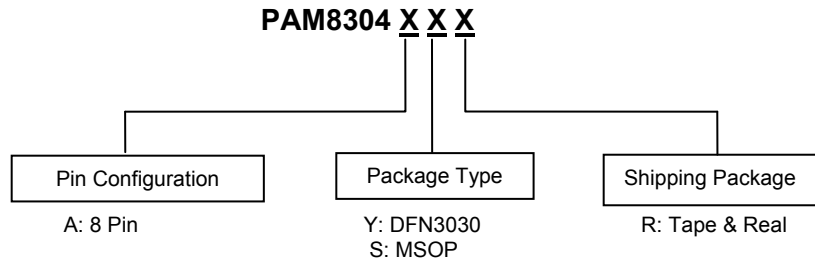
### Over Temperature Protection (OTP)

Thermal protection prevents the device from damage. When the internal die temperature exceeds a typical of 150°C the device will enter a shutdown state and the outputs are disabled. This is not a latched fault, once the thermal fault is cleared and the temperature of the die decreased by 40°C the device will restart with no external system interaction.

### Anti-POP and Anti-Click Circuitry

The PAM8304 contains circuitry to minimize turn-on and turn-off transients or “click and pops”, where turn-on refers to either power supply turn-on or device recover from shutdown mode. When the device is turned on, the amplifiers are internally muted. An internal current source ramps up the internal reference voltage. The device will remain in mute mode until the reference voltage reach half supply voltage. As soon as the reference voltage is stable, the device will begin full operation. For the best power-off pop performance, the amplifier should be set in shutdown mode prior to removing the power supply voltage.

**Ordering Information**



Part Number	Package	Standard Package
PAM8304AYR	DFN3030-8L	3,000Units/Tape&Real
PAM8304ASR	MSOP-8L	2,500Units/Tape&Real

**Marking Information**

DFN3030 /MOP8



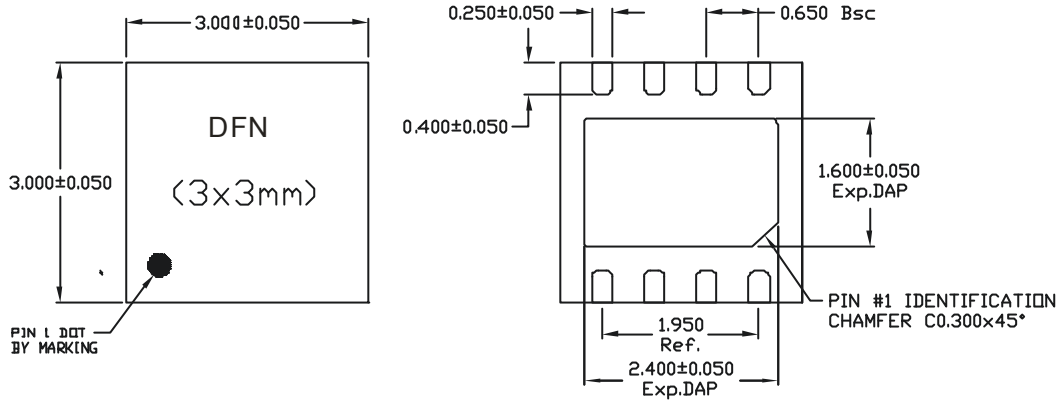
PAM8304: Product Code  
 X: Internal Code  
 Y: Year  
 W: Week

NEW PRODUCT

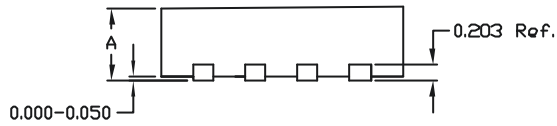


**Package Outline Dimensions** (All dimensions in mm.)

**Package: DFN3030**



A	MAX.	0.800
	NOM.	0.750
	MIN.	0.700

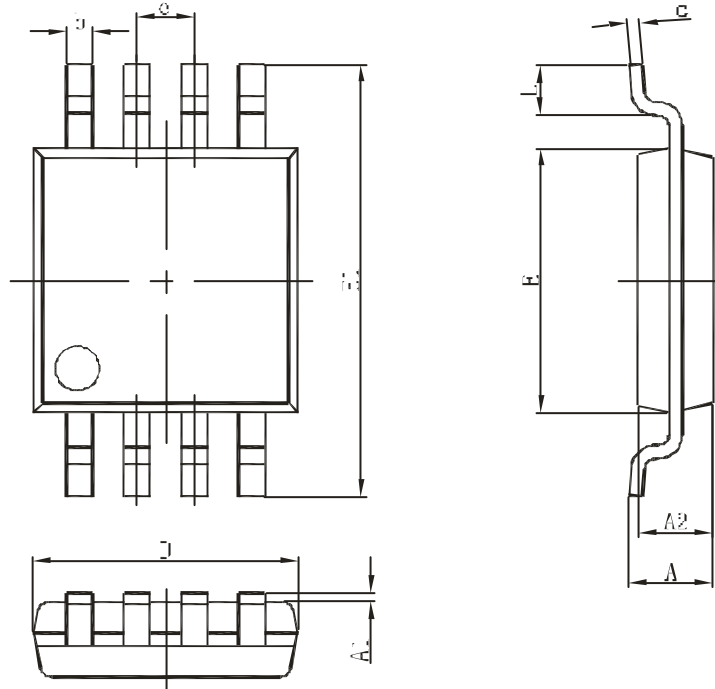


Unit: Millimeter

NEW PRODUCT

**Package Outline Dimensions** (All dimensions in mm.)

Package: MSOP



REF	Millimeter	
	Min	Max
A	--	1.10
A1	0.05	0.15
A2	0.78	0.94
b	0.22	0.38
c	0.08	0.23
D	2.90	3.10
E	2.90	3.10
E1	4.75	5.05
e	0.65BSC	
L	0.40	0.70

NEW PRODUCT

**IMPORTANT NOTICE**

DIODES INCORPORATED MAKES NO WARRANTY OF ANY KIND, EXPRESS OR IMPLIED, WITH REGARDS TO THIS DOCUMENT, INCLUDING, BUT NOT LIMITED TO, THE IMPLIED WARRANTIES OF MERCHANTABILITY AND FITNESS FOR A PARTICULAR PURPOSE (AND THEIR EQUIVALENTS UNDER THE LAWS OF ANY JURISDICTION).

Diodes Incorporated and its subsidiaries reserve the right to make modifications, enhancements, improvements, corrections or other changes without further notice to this document and any product described herein. Diodes Incorporated does not assume any liability arising out of the application or use of this document or any product described herein; neither does Diodes Incorporated convey any license under its patent or trademark rights, nor the rights of others. Any Customer or user of this document or products described herein in such applications shall assume all risks of such use and will agree to hold Diodes Incorporated and all the companies whose products are represented on Diodes Incorporated website, harmless against all damages.

Diodes Incorporated does not warrant or accept any liability whatsoever in respect of any products purchased through unauthorized sales channel. Should Customers purchase or use Diodes Incorporated products for any unintended or unauthorized application, Customers shall indemnify and hold Diodes Incorporated and its representatives harmless against all claims, damages, expenses, and attorney fees arising out of, directly or indirectly, any claim of personal injury or death associated with such unintended or unauthorized application.

Products described herein may be covered by one or more United States, international or foreign patents pending. Product names and markings noted herein may also be covered by one or more United States, international or foreign trademarks.

This document is written in English but may be translated into multiple languages for reference. Only the English version of this document is the final and determinative format released by Diodes Incorporated.

**LIFE SUPPORT**

Diodes Incorporated products are specifically not authorized for use as critical components in life support devices or systems without the express written approval of the Chief Executive Officer of Diodes Incorporated. As used herein:

A. Life support devices or systems are devices or systems which:

1. are intended to implant into the body, or
2. support or sustain life and whose failure to perform when properly used in accordance with instructions for use provided in the labeling can be reasonably expected to result in significant injury to the user.

B. A critical component is any component in a life support device or system whose failure to perform can be reasonably expected to cause the failure of the life support device or to affect its safety or effectiveness.

Customers represent that they have all necessary expertise in the safety and regulatory ramifications of their life support devices or systems, and acknowledge and agree that they are solely responsible for all legal, regulatory and safety-related requirements concerning their products and any use of Diodes Incorporated products in such safety-critical, life support devices or systems, notwithstanding any devices- or systems-related information or support that may be provided by Diodes Incorporated. Further, Customers must fully indemnify Diodes Incorporated and its representatives against any damages arising out of the use of Diodes Incorporated products in such safety-critical, life support devices or systems.

Copyright © 2013, Diodes Incorporated

[www.diodes.com](http://www.diodes.com)

## Данный компонент на территории Российской Федерации

### Вы можете приобрести в компании MosChip.

Для оперативного оформления запроса Вам необходимо перейти по данной ссылке:

<http://moschip.ru/get-element>

Вы можете разместить у нас заказ для любого Вашего проекта, будь то серийное производство или разработка единичного прибора.

В нашем ассортименте представлены ведущие мировые производители активных и пассивных электронных компонентов.

Нашей специализацией является поставка электронной компонентной базы двойного назначения, продукции таких производителей как XILINX, Intel (ex.ALTERA), Vicor, Microchip, Texas Instruments, Analog Devices, Mini-Circuits, Amphenol, Glenair.

Сотрудничество с глобальными дистрибьюторами электронных компонентов, предоставляет возможность заказывать и получать с международных складов практически любой перечень компонентов в оптимальные для Вас сроки.

На всех этапах разработки и производства наши партнеры могут получить квалифицированную поддержку опытных инженеров.

Система менеджмента качества компании отвечает требованиям в соответствии с ГОСТ Р ИСО 9001, ГОСТ РВ 0015-002 и ЭС РД 009

### Офис по работе с юридическими лицами:

105318, г.Москва, ул.Щербаковская д.3, офис 1107, 1118, ДЦ «Щербаковский»

Телефон: +7 495 668-12-70 (многоканальный)

Факс: +7 495 668-12-70 (доб.304)

E-mail: [info@moschip.ru](mailto:info@moschip.ru)

Skype отдела продаж:

moschip.ru

moschip.ru\_4

moschip.ru\_6

moschip.ru\_9