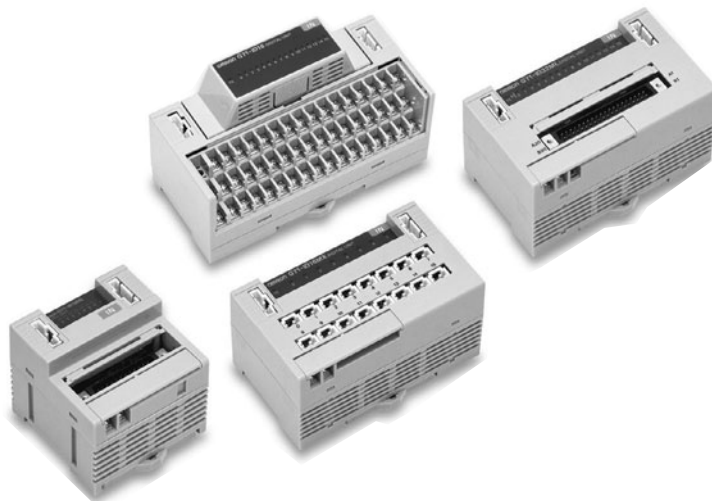


Digital I/O Units

GT1-□D16(-1)/□D16MX(-1)/□D16ML(-1)/□D32ML(-1)/□D16DS(-1)

Digital I/O Units Compatible with MULTIPLE I/O TERMINAL

- Terminal block, connector, and high-density connector models are available.
- The circuit block of the terminal block model can be mounted or dismantled for ease of maintenance without disconnecting the wires.
- DIN track mounting.



Ordering Information

| Unit | I/O classification | Internal I/O common | I/O points | I/O connections | Power supply voltage | I/O specification | Model | | | | |
|----------------------|------------------------------|---------------------|------------------------|-------------------|----------------------|-------------------|---------------|-------------------|--------------|---------------|--------------|
| Terminal block model | Digital input | NPN (+ common) | 16 | M3 terminal board | 24 VDC | DC/transistor | GT1-ID16 | | | | |
| | | PNP (- common) | | | | | GT1-ID16-1 | | | | |
| | Digital output | NPN (- common) | | | | GT1-OD16 | | | | | |
| | | PNP (+ common) | | | | GT1-OD16-1 | | | | | |
| Connector model | Digital input | NPN (+ common) | | Molex connector | | Fujitsu connector | 24 VDC | DC/transistor | GT1-ID16MX | | |
| | | PNP (- common) | | | | | | | GT1-ID16MX-1 | | |
| | Digital output | NPN (- common) | | | | | | GT1-OD16MX | | | |
| | | PNP (+ common) | | | | | | GT1-OD16MX-1 | | | |
| | Digital input | NPN (+ common) | D-sub 25-pin connector | | DC/transistor | | | GT1-ID16ML | | | |
| | | PNP (- common) | | | | | | GT1-ID16ML-1 | | | |
| | Digital output | NPN (- common) | | GT1-OD16ML | | | | | | | |
| | | PNP (+ common) | | GT1-OD16ML-1 | | | | | | | |
| | High-density connector model | Digital input | | NPN (+ common) | 32 | | | Fujitsu connector | 24 VDC | DC/transistor | GT1-ID16DS |
| | | | | PNP (- common) | | | | | | | GT1-ID16DS-1 |
| | | Digital output | NPN (- common) | GT1-OD16DS | | | | | | | |
| | | | PNP (+ common) | GT1-OD16DS-1 | | | | | | | |
| Digital input | | NPN (+ common) | 32 | Fujitsu connector | | 24 VDC | DC/transistor | | | GT1-ID32ML | |
| | | PNP (- common) | | | | | | | | GT1-ID32ML-1 | |
| Digital output | NPN (- common) | GT1-OD32ML | | | | | | | | | |
| | PNP (+ common) | GT1-OD32ML-1 | | | | | | | | | |

General Specifications

| | | | |
|--------------------------------------|---|---------------|------------------|
| I/O power supply voltage | 20.4 to 26.4 VDC (24 VDC -15%/+10%) | | |
| Current consumption * | Model | I/O Interface | Internal circuit |
| | GT1-ID16(-1) | 35 mA max. | -- |
| | GT1-OD16(-1) | 35 mA max. | 9 mA max. |
| | GT1-ID16MX(-1) | 35 mA max. | -- |
| | GT1-OD16MX(-1) | 35 mA max. | 9 mA max. |
| | GT1-ID16ML(-1) | 35 mA max. | -- |
| | GT1-OD16ML(-1) | 35 mA max. | 9 mA max. |
| | GT1-ID16DS(-1) | 35 mA max. | -- |
| | GT1-OD16DS(-1) | 35 mA max. | 9 mA max. |
| | GT1-ID32ML(-1) | 55 mA max. | -- |
| GT1-OD32ML(-1) | 65 mA max. | 11 mA max. | |
| Dielectric strength | 500 VAC | | |
| Noise immunity | Conforms to IEC61000-4-4 2 kV (power line) | | |
| Vibration resistance | 10 to 150 Hz, 1.0-mm double amplitude or 70 m/s ² | | |
| Shock resistance | 200 m/s ² | | |
| Mounting method | DIN 35 mm-track mounting | | |
| Mounting strength | No damage when 100 N pull load was applied in all directions (10 N min. in the DIN track direction) | | |
| Terminal strength | No damage when 100 N pull load was applied | | |
| Screw tightening torque | 0.3 to 0.5 N·m | | |
| Ambient operating temperature | -10°C to 55°C (with no icing or condensation) | | |
| Ambient operating humidity | 25% to 85% (with no icing or condensation) | | |
| Ambient storage temperature | -25°C to 65°C | | |
| Accessories | I/O Unit Connecting Cable (40 mm) | | |

* The above current consumption is a value with all 16 and 32 points turned ON excluding the current consumption of the external sensor connected to the Input Unit and the current consumption of the load connected to the Output Unit.

Applicable Connectors

| Type | | Model | Remarks | |
|-------------------------------|-------------------------------|-----------------|----------------------|-------------------------------|
| Molex connector | Solderless terminal | Housing | 51030-0330 | |
| | | Chain terminal | 70058-0004 | Corresponding to 24 to 30 AWG |
| | | | 70058-0022 | Corresponding to 22 to 24 AWG |
| | | Loose terminal | 70058-0204 | Corresponding to 24 to 30 AWG |
| | | | 70058-0272 | Corresponding to 22 to 24 AWG |
| | | Press-fit tool | 57036-5000 | Corresponding to 22 to 26 AWG |
| 57037-5000 | Corresponding to 24 to 30 AWG | | | |
| Fujitsu connector (16 points) | Solder terminal | FCN361J024-AU | | |
| | Press-fit terminal | FCN367J024-AU/F | | |
| | Solderless terminal | FCN363J024-AU | | |
| Fujitsu connector (32 points) | Solder terminal | FCN361J040-AU | | |
| | Press-fit terminal | FCN367J040-AU/F | | |
| | Solderless terminal | FCN363J040-AU | | |
| OMRON D-sub Connector | Plug | XM2A-2501 | | |
| | Hood | XM2S-2513 | #4-40UNC inch screws | |

Cables with High-density Connectors (Fujitsu-compatible Connectors)

| I/O classification | Model |
|----------------------------|-----------|
| Digital input (16 points) | XW2Z-□□□A |
| | G79-□C |
| Digital output (16 points) | XW2Z-□□□A |
| | G79-□C |
| Digital input (32 points) | XW2Z-□□□B |
| | G79-□C□ |
| Digital output (32 points) | XW2Z-□□□B |
| | G79-□C□ |

Note: Refer to page 162 for ordering information.

Input Specifications

| Item | Model | GT1-ID□□ |
|--------------------------|-------|--|
| ON delay | | 1.5 ms max. |
| OFF delay | | 1.5 ms max. |
| ON voltage | | 15 V min. (between each input terminal and V or G) |
| OFF voltage | | 5 V max. (between each input terminal and V or G) |
| OFF current | | 1 mA max. |
| Insulation method | | Photocoupler |
| Input indicators | | LED (yellow) |

Output Specifications

| Item | Model | GT1-OD□□ |
|-----------------------------|-------|---------------|
| Rated output current | | 0.5 A/point * |
| ON delay | | 0.5 ms max. |
| OFF delay | | 1.0 ms max. |
| Residual voltage | | 1.2 V max. |
| Leakage current | | 0.1 mA max. |
| Insulation method | | Photocoupler |
| Output indicators | | LED (yellow) |

* Ensure that the total external load current does not exceed the values given in the following table.

| Model | Total external load current |
|------------------------|-----------------------------|
| GT1-OD16/16MX/32ML(-1) | 4 A |
| GT1-OD16ML/16DS(-1) | 2.5 A |

Cables for I/O Connector

Cables for Connector Terminal Conversion Units (16 Points)

| I/O classification | Model | Applicable cable | Connectable model | Remarks |
|----------------------------|----------------|------------------|-------------------|--|
| Digital input (16 points) | GT1-ID16ML(-1) | XW2Z-□□□A | XW2D-20G6 | Slim-type Connector Terminal Conversion Unit |
| | | | XW2E-20G5-IN16 | Common terminal (3-tier input type) |
| Digital output (16 points) | GT1-OD16ML(-1) | | XW2D-20G6 | Slim-type Connector Terminal Conversion Unit |

Cables for Connector Terminal Conversion Units (32 Points)

| I/O classification | Model | Applicable cable | Connectable model | Remarks |
|----------------------------|----------------|------------------|-------------------|--|
| Digital input (32 points) | GT1-ID32ML(-1) | XW2Z-□□□B | XW2D-40G6 | Slim-type Connector Terminal Conversion Unit |
| Digital output (32 points) | GT1-OD32ML(-1) | | | |

Cables for I/O Blocks (16 Points)

| I/O classification | Model | Applicable cable | Connectable model | Remarks |
|-----------------------------------|--------------|---------------------------|--|----------------------|
| Digital input (16 points) NPN | GT1-ID16ML | G79-□C | G7TC-ID16 G7TC-IA16 | For I/O Block input |
| Digital input (16 points) PNP | GT1-ID16ML-1 | | G7TC-ID16-1 G7TC-IA16-1 | For I/O Block output |
| Digital output (16 points) NPN | GT1-OD16ML | | G7TC-OC16 G7TC-OC08 G70D-SOC16 G70D-FOM16 G70D-VSOC16 G70D-VFOM16 G70A-ZOC16-3 | For I/O Block output |
| | | | M7E Series M7F-□N□□□ | Digital Display Unit |
| Digital output (16 points) PNP | GT1-OD16ML-1 | | G7TC-OC16-1 G70D-SOC16-1 G70A-ZOC16-4 | For I/O Block output |
| | | M7E-01MB□-□□ M7F-□P□□□ | Digital Display Unit | |

Cables for I/O Blocks (32 Points)

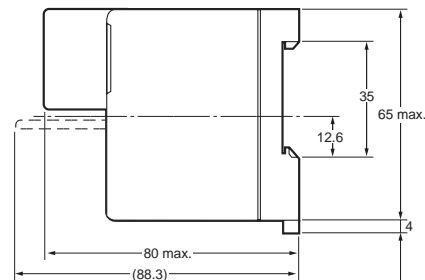
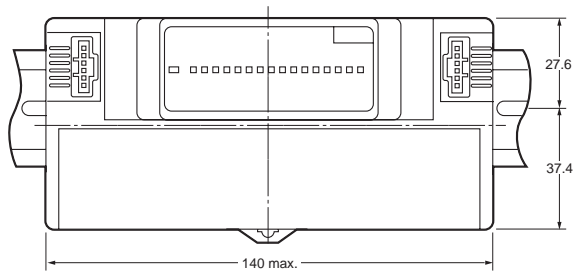
| I/O classification | Model | Applicable cable | Connectable model | Remarks |
|-----------------------------------|--------------|------------------|--|----------------------|
| Digital input (32 points) NPN | GT1-ID32ML | G79-I□C-□ | G7TC-ID16 G7TC-IA16 | For I/O Block input |
| Digital input (32 points) PNP | GT1-ID32ML-1 | | G7TC-ID16-1 G7TC-IA16-1 | For I/O Block input |
| Digital output (32 points) NPN | GT1-OD32ML | G79-O□C-□ | G7TC-OC16 G7TC-OC08 G70D-SOC16 G70D-FOM16 G70D-VSOC16 G70D-VFOM16 G70A-ZOC16-3 | For I/O Block output |
| | | | G7TC-OC16-1 G70D-SOC16-1 G70D-FOM16-1 G70A-ZOC16-4 | For I/O Block output |

Note: For details of applicable cables and connectors, refer to pages 162 to 163.

Dimensions

● Terminal Block Model

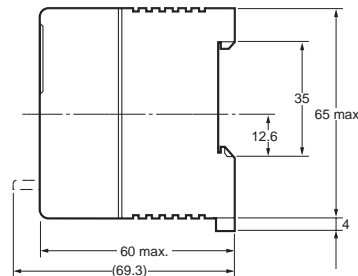
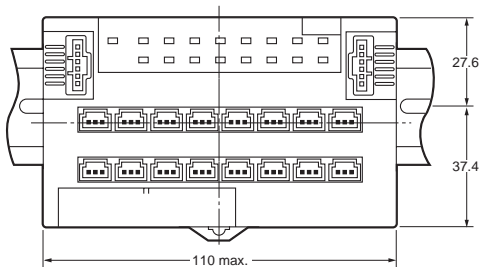
- GT1-ID16
- GT1-ID16-1
- GT1-OD16
- GT1-OD16-1



Note: Accessory cable included.

● Connector Model

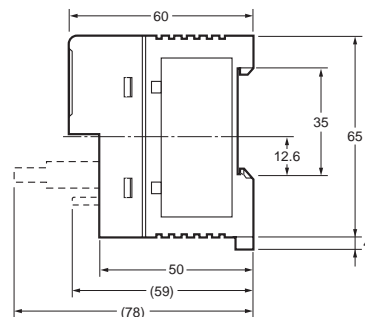
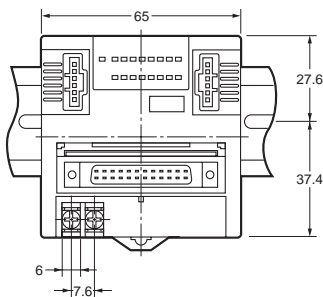
- GT1-ID16MX
- GT1-ID16MX-1
- GT1-OD16MX
- GT1-OD16MX-1



Note: Accessory cable included.

● Connector Model

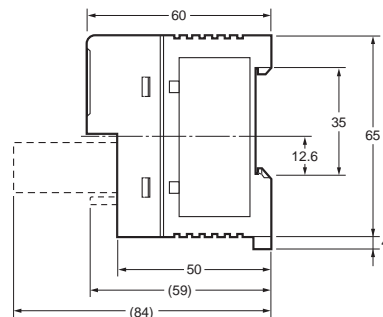
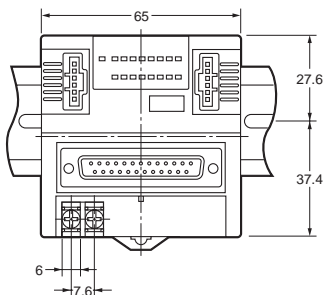
- GT1-ID16ML
- GT1-ID16ML-1
- GT1-OD16ML
- GT1-OD16ML-1



Note: Accessory cable included.

● Connector Model

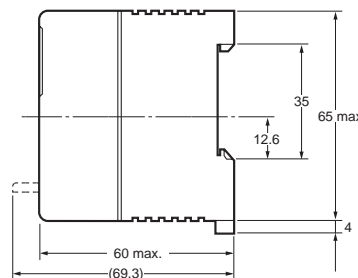
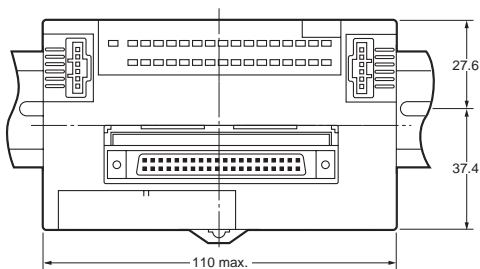
- GT1-ID16DS
- GT1-ID16DS-1
- GT1-OD16DS
- GT1-OD16DS-1



Note: Accessory cable included.

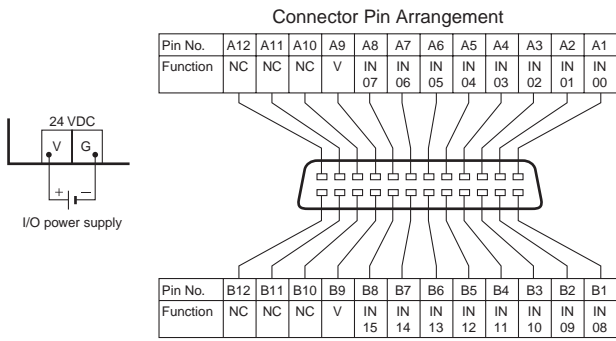
● High-density Connector Model

- GT1-ID32ML
- GT1-ID32ML-1
- GT1-OD32ML
- GT1-OD32ML-1

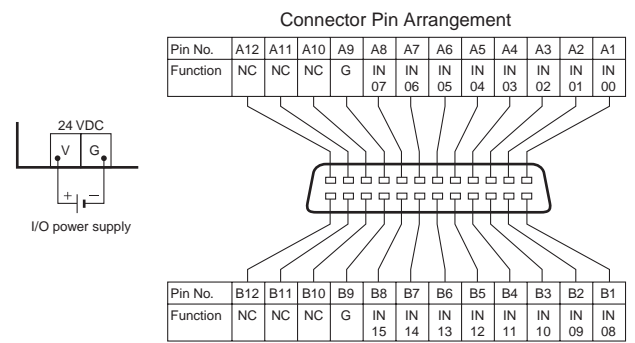


Note: Accessory cable included.

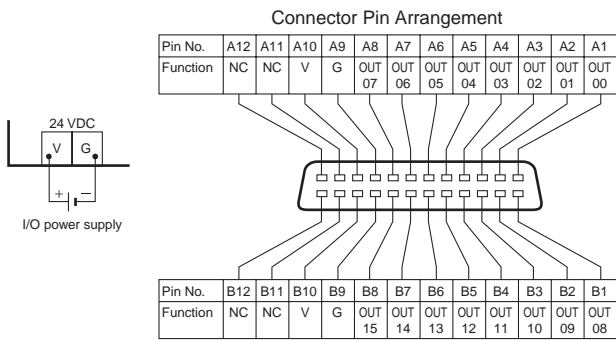
GT1-ID16ML



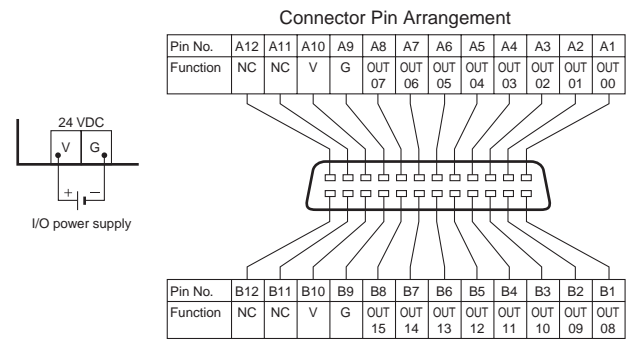
GT1-ID16ML-1



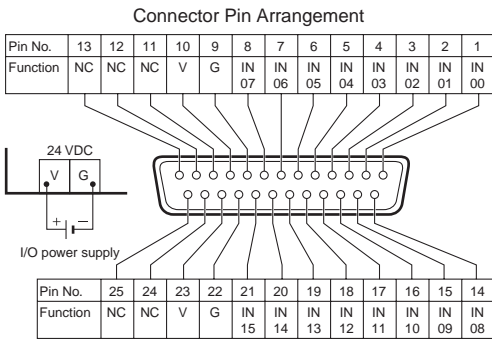
GT1-OD16ML



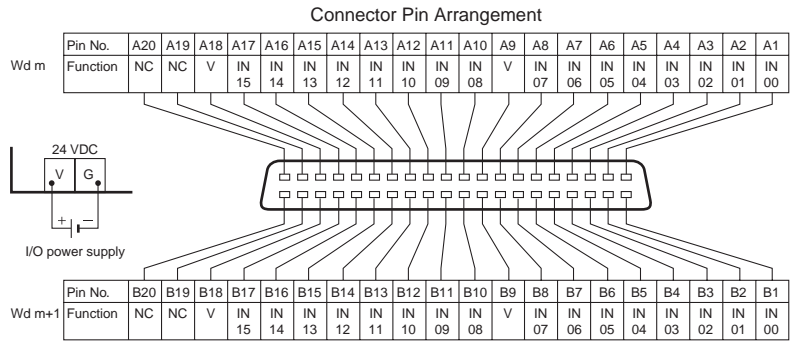
GT1-OD16ML-1



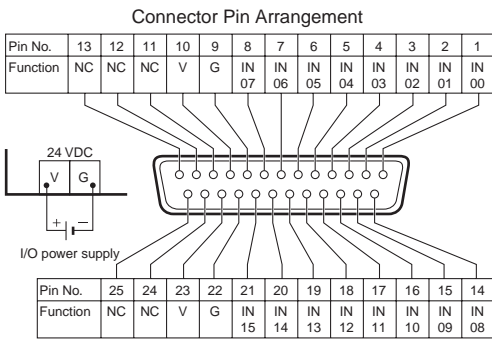
GT1-ID16DS



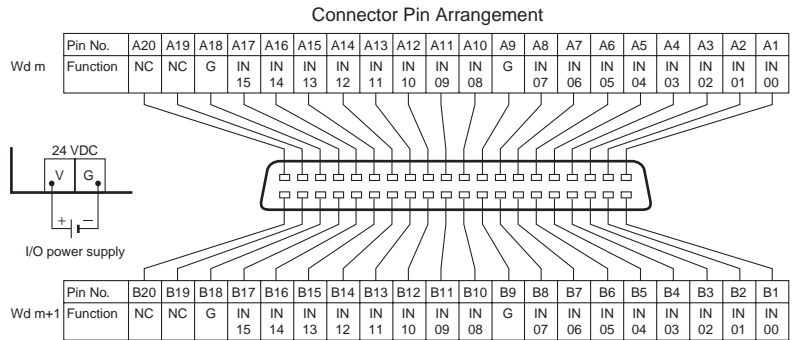
GT1-ID32ML



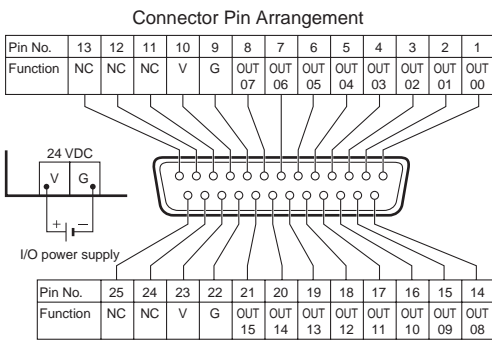
GT1-ID16DS-1



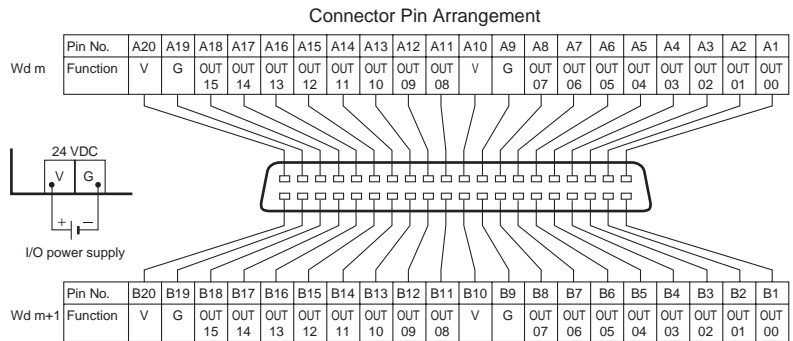
GT1-ID32ML-1



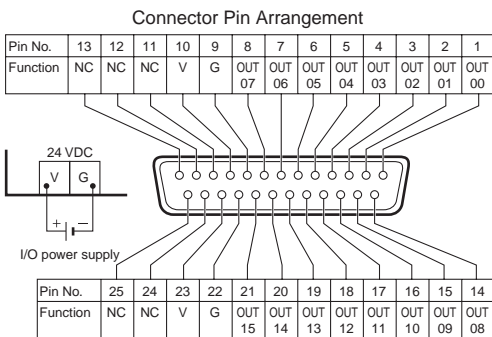
GT1-OD16DS



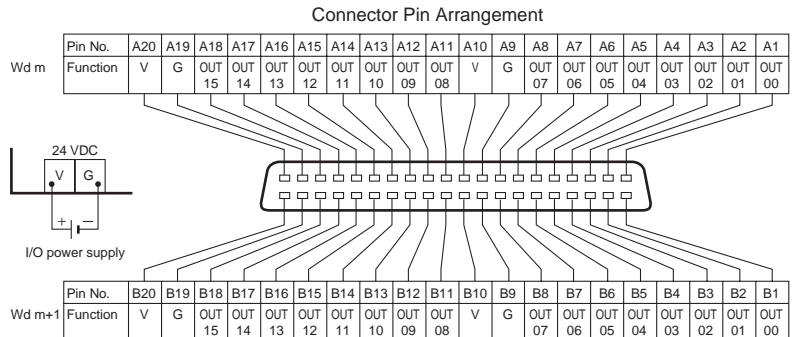
GT1-OD32ML



GT1-OD16DS-1



GT1-OD32ML-1



Данный компонент на территории Российской Федерации

Вы можете приобрести в компании MosChip.

Для оперативного оформления запроса Вам необходимо перейти по данной ссылке:

<http://moschip.ru/get-element>

Вы можете разместить у нас заказ для любого Вашего проекта, будь то серийное производство или разработка единичного прибора.

В нашем ассортименте представлены ведущие мировые производители активных и пассивных электронных компонентов.

Нашей специализацией является поставка электронной компонентной базы двойного назначения, продукции таких производителей как XILINX, Intel (ex.ALTERA), Vicor, Microchip, Texas Instruments, Analog Devices, Mini-Circuits, Amphenol, Glenair.

Сотрудничество с глобальными дистрибьюторами электронных компонентов, предоставляет возможность заказывать и получать с международных складов практически любой перечень компонентов в оптимальные для Вас сроки.

На всех этапах разработки и производства наши партнеры могут получить квалифицированную поддержку опытных инженеров.

Система менеджмента качества компании отвечает требованиям в соответствии с ГОСТ Р ИСО 9001, ГОСТ РВ 0015-002 и ЭС РД 009

Офис по работе с юридическими лицами:

105318, г.Москва, ул.Щербаковская д.3, офис 1107, 1118, ДЦ «Щербаковский»

Телефон: +7 495 668-12-70 (многоканальный)

Факс: +7 495 668-12-70 (доб.304)

E-mail: info@moschip.ru

Skype отдела продаж:

moschip.ru

moschip.ru_4

moschip.ru_6

moschip.ru_9