

HEADERS CODINGS

(CODING 2 SHOWN)

| HEADERS CODINGS FOR MODULE T2 (32W) | | | | | |
|-------------------------------------|--------|--------|--------|--------|--------|
| COLOR | CODING | DIM. A | DIM. B | DIM. C | DIM. D |
| BLACK | 1 | 9.1 | 4.3 | 5.9 | 4.3 |
| GREY | 2 | 7.5 | 5.9 | 9.1 | 5.9 |
| BROWN | 3 | 5.9 | 7.5 | 9.1 | 9.1 |
| GREEN | 4 | 7.5 | 9.1 | 4.3 | 4.3 |
| BLUE | 5 | 4.3 | 7.5 | 5.9 | 5.9 |
| YELLOW | 6 | 9.1 | 7.5 | 4.3 | 7.5 |

(CODING 3 SHOWN)

| HEADERS CODINGS FOR MODULE T3 (48W) | | | | | |
|-------------------------------------|--------|--------|--------|--------|--------|
| COLOR | CODING | DIM. A | DIM. B | DIM. C | DIM. D |
| BLACK | 1 | 12.9 | 6.3 | 8.5 | 6.3 |
| GREY | 2 | 10.7 | 8.5 | 12.9 | 8.5 |
| BROWN | 3 | 8.5 | 10.7 | 12.9 | 12.9 |
| GREEN | 4 | 10.7 | 12.9 | 6.3 | 6.3 |
| BLUE | 5 | 6.3 | 10.7 | 8.5 | 8.5 |
| YELLOW | 6 | 12.9 | 10.7 | 6.3 | 10.7 |

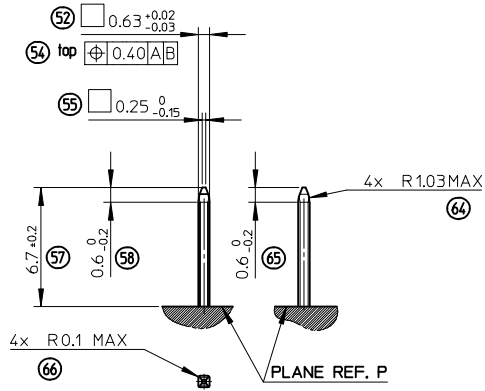
NOTE:

- 1- INTERFACE DEFINITION BASED ON NFR13-462 STANDARD.
- 2- HEADER: ELASTICITY MODULUS: 8000Mpa min. (INITIAL CONDITION BEFORE AGEING)

| | | | | | |
|--|---|---|---|---|------------------------|
| ENTER DESCRIPTION EC NO: G2010-0220 DRAWN: POCHELE 2010/05/20 CHKD: J. GIURIATO 2008/10/03 APPR: CBOU/CHAN 2010/06/29 | DESCRIPTION GENERAL TOLERANCES (UNLESS SPECIFIED) 4 PLACES ± --- ± --- 3 PLACES ± --- ± --- 2 PLACES ± 0.10 ± --- 1 PLACE ± 0.10 ± --- ANGULAR ± 2 ° | DIMENSION STYLE MM ONLY | SCALE 2:1 | DESIGN UNITS METRIC | FIRST ANGLE PROJECTION |
| | | DRAWN BY DATE G. DESBRUERES 2008/10/02 | CHECKED BY DATE J. GIURIATO 2008/10/03 | APPROVED BY DATE O. PLESSIS 2008/10/06 | MATERIAL NO. N/A |
| DRAFT WHERE APPLICABLE MUST REMAIN WITHIN DIMENSIONS | | THIS DRAWING CONTAINS INFORMATION THAT IS PROPRIETARY TO MOLEX INCORPORATED AND SHOULD NOT BE USED WITHOUT WRITTEN PERMISSION | | | |

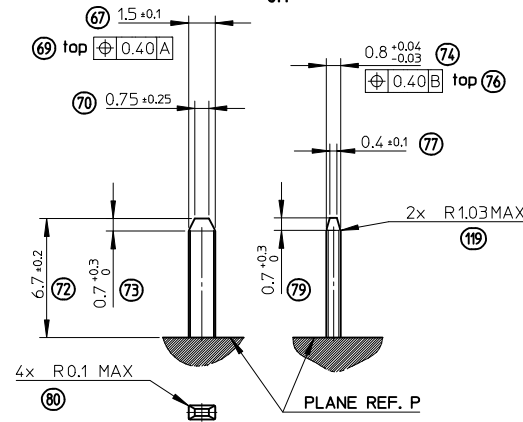
PINS 0.635 DEFINITION

5:1



TABS 1.5 DEFINITION

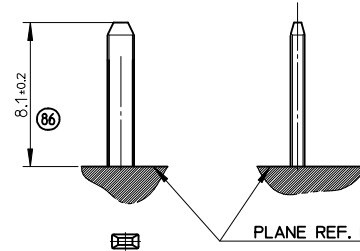
5:1



GROUND TABS 1.5 DEFINITION

5:1

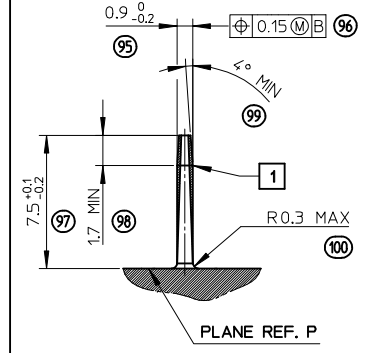
FOR OTHER DIMENSIONS
SEE TABS 1.5 DEFINITION



PROTECTION WALL DEFINITION

5:1

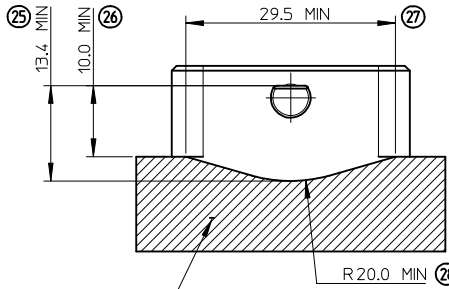
1 :SHAPES ALLOWED



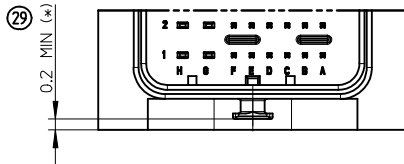
LOCKING AXIS PROTECTION

2:1

MANDATORY OVERTHICKNESS: dimension noted (*)
IF THE LOCKING AXIS ARE OUT OF
EQUIPMENT OVERALL DIMENSIONS.

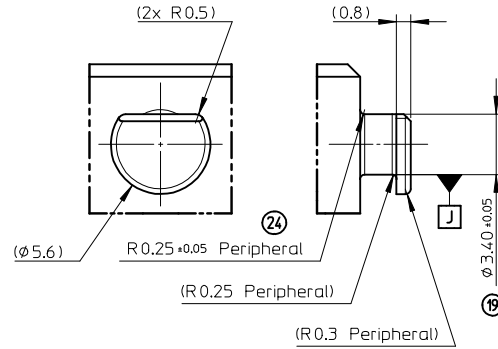


ADMISSIBLE SHAPES WITH OVERTHICKNESS 0.2 MIN (*)



LOCKING AXIS DEFINITION

5:1



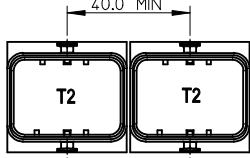
| | | | | | | | | |
|--|--|----------------------|-----------------------------------|----------------------|--|------------------------|---|------------------------------|
| ENTER DESCRIPTION EC NO: G2010-0220 DRAWN: P. CHELE 2010/05/20 CHKD: J. GIURIATO 2008/10/03 APPR: C. BOUGHAN 2010/06/29 | GENERAL TOLERANCES (UNLESS SPECIFIED) | | DIMENSION STYLE MM ONLY | | SCALE 1:1 | DESIGN UNITS METRIC | FIRST ANGLE PROJECTION | |
| | 4 PLACES ± --- ± --- | 3 PLACES ± --- ± --- | 2 PLACES ± 0.10 ± --- | 1 PLACE ± 0.10 ± --- | DRAWN BY G. DESBRUERES | DATE 2008/10/02 | TITLE INTERFACES FOR CONNECTOR 32 & 48 CKT CMC GENERIC SALES DRAWING | |
| | ANGULAR ± 2° | | | | CHECKED BY J. GIURIATO | DATE 2008/10/03 | MOLEX INCORPORATED | |
| | DRAFT WHERE APPLICABLE MUST REMAIN WITHIN DIMENSIONS | | | | APPROVED BY O. PLESSIS | DATE 2008/10/06 | MATERIAL NO. N/A | DOCUMENT NO. SD-98644-006 |
| | | | | SIZE A2 | THIS DRAWING CONTAINS INFORMATION THAT IS PROPRIETARY TO MOLEX INCORPORATED AND SHOULD NOT BE USED WITHOUT WRITTEN PERMISSION | | | SHEET NO. 2 OF 3 |

CONNECTOR ON HEADER - OVERALL DIMENSIONS

MULTI-HEADERS LAYOUT

LAYOUT FOR TWO INTERFACES T2 (32W)

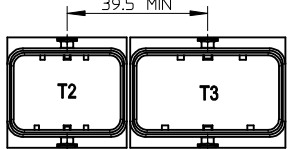
FOR SAME HARNESS EXIT CONFIGURATION



FOR OPPOSITE HARNESS EXIT CONFIGURATION

LAYOUT FOR TWO INTERFACES T2 (32W) AND T3 (48W)

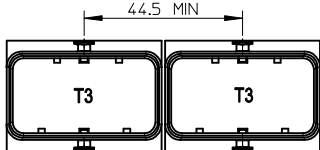
FOR SAME HARNESS EXIT CONFIGURATION



FOR OPPOSITE HARNESS EXIT CONFIGURATION

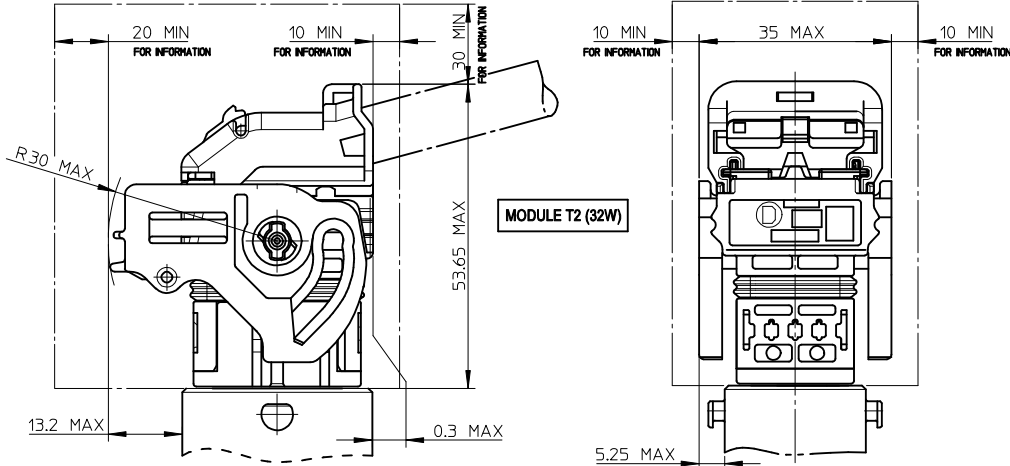
LAYOUT FOR TWO INTERFACES T3 (48W)

FOR SAME HARNESS EXIT CONFIGURATION

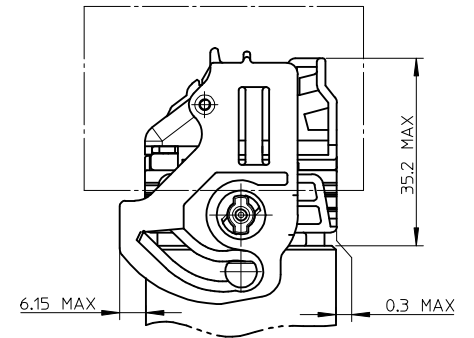


FOR OPPOSITE HARNESS EXIT CONFIGURATION

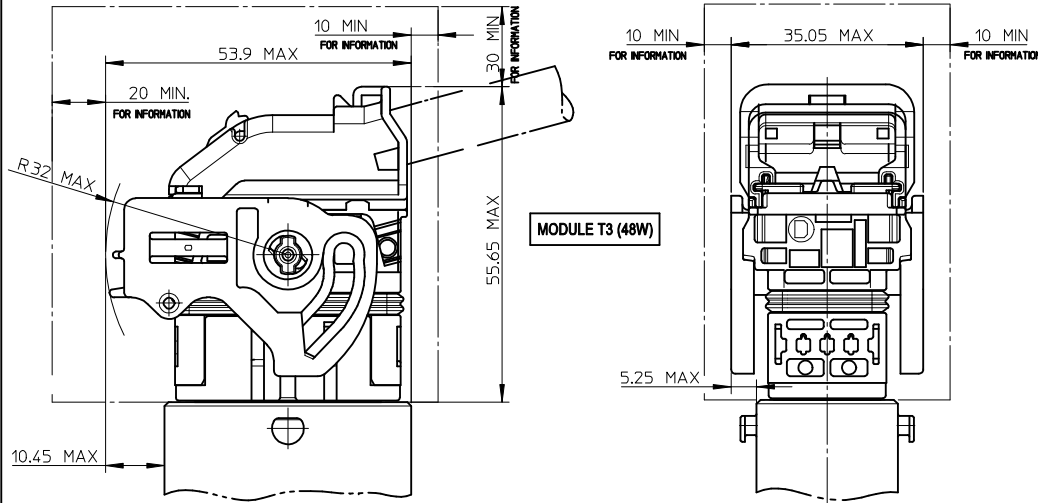
UNLOCKED CONNECTOR - OVERALL DIMENSIONS



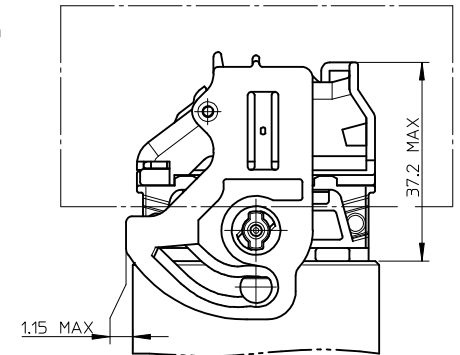
LOCKED CONNECTOR - OVERALL DIMENSIONS



UNLOCKED CONNECTOR - OVERALL DIMENSIONS



LOCKED CONNECTOR - OVERALL DIMENSIONS



NOTE:
1- T2 = 32 WAY / T3 = 48 WAY

LEGEND:



FREE VOLUME FOR MANUAL LOCKING AND UNLOCKING
DIMENSIONS GIVEN FOR INFORMATION ONLY TO BE
CONFIRMED BASED UPON VEHICLE CONFIGURATION.

| REV | DESCRIPTION |
|-----|-----------------------------|
| 0 | ENTER DESCRIPTION |
| 1 | EC NO: G2010-0220 |
| 2 | DRW: NPDECHELE 2010/05/20 |
| 3 | CHK: J. GIURIATO 2008/10/03 |
| 4 | APPR: EBOUCHAN 2010/06/29 |

GENERAL TOLERANCES (UNLESS SPECIFIED)

| | mm | INCH |
|---------------|--------|---------|
| 4 PLACES | ± 0.10 | ± 0.004 |
| 3 PLACES | ± 0.15 | ± 0.005 |
| 2 PLACES | ± 0.20 | ± 0.008 |
| 1 PLACE | ± 0.30 | ± 0.012 |
| ANGULAR ± 2 ° | | |

DRAFT WHERE APPLICABLE
MUST REMAIN
WITHIN DIMENSIONS

DIMENSION STYLE

| MM ONLY | SCALE | DESIGN UNITS | FIRST ANGLE PROJECTION |
|---------|-------|--------------|------------------------|
| MM ONLY | 1:1 | METRIC | FIRST ANGLE PROJECTION |

TITLE

| |
|--|
| INTERFACES FOR CONNECTOR 32 & 48 CKT CMC GENERIC SALES DRAWING |
| MOLEX INCORPORATED |
| SD-98644-006 |

| | | |
|------------------|---------------------------|------------------|
| MATERIAL NO. N/A | DOCUMENT NO. SD-98644-006 | SHEET NO. 3 OF 3 |
|------------------|---------------------------|------------------|

SIZE A2
THIS DRAWING CONTAINS INFORMATION THAT IS PROPRIETARY TO MOLEX INCORPORATED AND SHOULD NOT BE USED WITHOUT WRITTEN PERMISSION

Данный компонент на территории Российской Федерации

Вы можете приобрести в компании MosChip.

Для оперативного оформления запроса Вам необходимо перейти по данной ссылке:

<http://moschip.ru/get-element>

Вы можете разместить у нас заказ для любого Вашего проекта, будь то серийное производство или разработка единичного прибора.

В нашем ассортименте представлены ведущие мировые производители активных и пассивных электронных компонентов.

Нашей специализацией является поставка электронной компонентной базы двойного назначения, продукции таких производителей как XILINX, Intel (ex.ALTERA), Vicor, Microchip, Texas Instruments, Analog Devices, Mini-Circuits, Amphenol, Glenair.

Сотрудничество с глобальными дистрибьюторами электронных компонентов, предоставляет возможность заказывать и получать с международных складов практически любой перечень компонентов в оптимальные для Вас сроки.

На всех этапах разработки и производства наши партнеры могут получить квалифицированную поддержку опытных инженеров.

Система менеджмента качества компании отвечает требованиям в соответствии с ГОСТ Р ИСО 9001, ГОСТ РВ 0015-002 и ЭС РД 009

Офис по работе с юридическими лицами:

105318, г.Москва, ул.Щербаковская д.3, офис 1107, 1118, ДЦ «Щербаковский»

Телефон: +7 495 668-12-70 (многоканальный)

Факс: +7 495 668-12-70 (доб.304)

E-mail: info@moschip.ru

Skype отдела продаж:

moschip.ru

moschip.ru_4

moschip.ru_6

moschip.ru_9