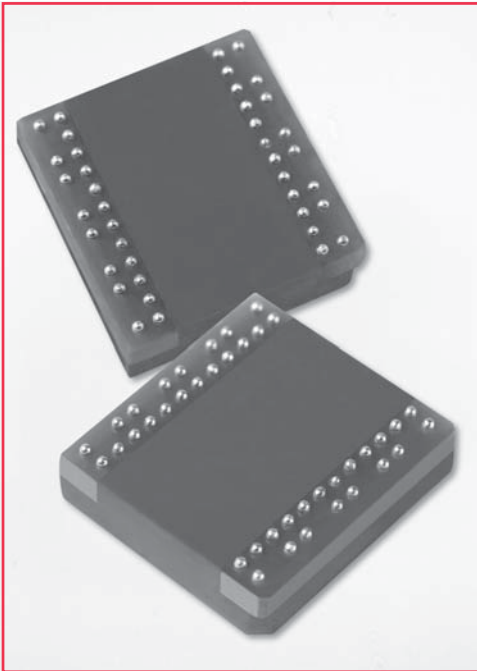


B41 4-Channel RF Relays



Ball Grid Array 4-Channel Relays

The B41 is four independent form A channels in one planar quad package. Coto's Ball Grid Array (BGA) construction offers a breakthrough in reed relay performance. This patented technology¹ allows for shorter RF paths in a controlled 50 Ω environment to minimize signal attenuation. The designer is now able to switch or pass signals with wider bandwidth and faster rise time than alternative technologies. This is particularly important in Mixed Signal IC testers. This four-in-one BGA packaging allows relays to be integrated easily on boards designed for surface mount processing.

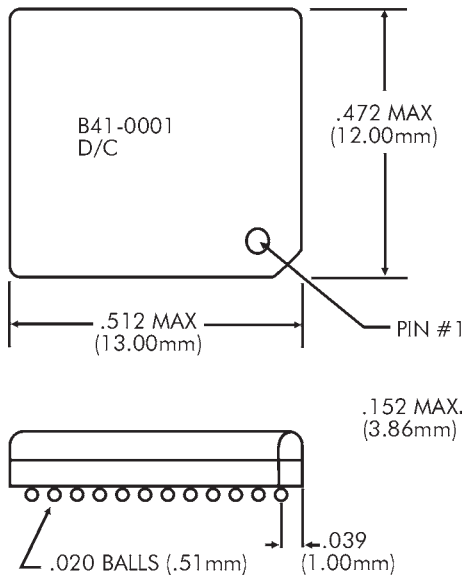
Series Features

- ◆ Planar BGA Surface Mount
- ◆ Ability to pass GHz signals
- ◆ Rise time < 45 pSec
- ◆ ~50 Ω Characteristic Impedance
- ◆ Low Capacitance
- ◆ Patented Design¹

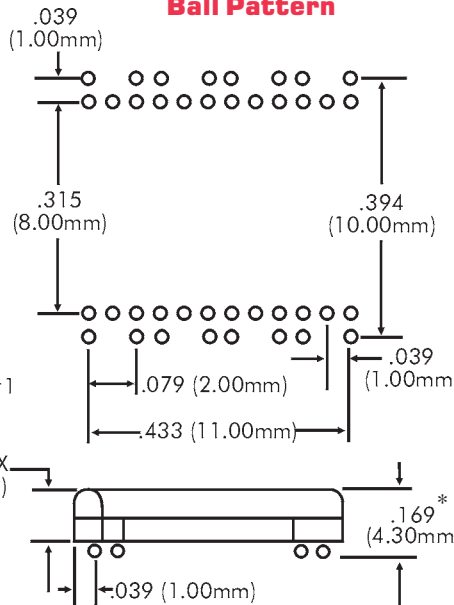
Applications

- ◆ IC Testers
- ◆ In-Line Relay Testers
- ◆ Memory Testers
- ◆ Mixed Signal Testers
- ◆ High Bandpass Applications

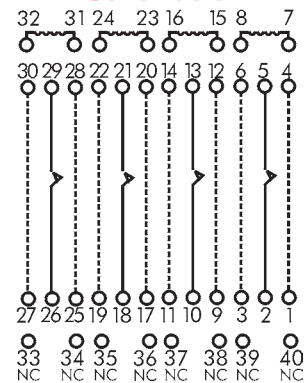
Top View



Top View Ball Pattern



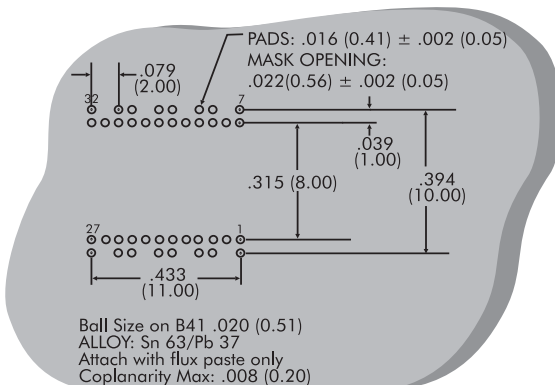
Top View Schematic



Dimensions in Inches (mm)
METRIC DIMENSIONS GOVERN
General Dimensional Tolerance:
± .006 (0.15)

* Dimensions shown are before soldering.

B41 RECEIVER BOARD PAD LAYOUT



Ordering Information

Part Number	B41-000X
Model Number	B41
Nominal Coil Voltage	0002 = 3.3V 0001 = 5.0V

Notes:

¹ Protected by one or more of the following US Patents: 6025768, 6052045, 6294971, 6683518, RE38381 and other foreign patents.

B41 4-Channel RF Relays

Test Parameters	Conditions ^{1,2}	Min	B41		Units
			Typ	Max	
Coil Resistance	3.3V Coil	49.5	55.0	60.5	Ω
Nominal Voltage			3.3	4.0	Volts DC
Must Operate Voltage				2.4	Volts DC
Must Release Voltage		0.4			Volts DC
Coil Resistance	5V Coil	144.0	160.0	176.0	Ω
Nominal Voltage			5.0	6.0	Volts DC
Must Operate Voltage				3.8	Volts DC
Must Release Voltage		0.4			Volts DC
Switching Voltage	Max DC/Peak AC			125	Volts
Switching Current				0.25	Amps
Carry Current (Continuous)	Switch and Shield			0.5	Amps
Contact Rating (Resistive Load)	Resistive Load			3.0	Watts
Life Expectancy	Signal Switching ³		1000		x 10 ⁹ Ops
	Resistive Load ³		1		x 10 ⁶ Ops
	Other Load Conditions ³	Consult Factory			
Static Contact Resistance (initial)	0.05VDC / 10mA			0.125	Ω
Dynamic Contact Resistance (initial)	0.5V / 10mA 100 Hz, 1.5 mSec			0.150	Ω
Insulation Res	All Isolated Pins	10 ¹⁰	10 ¹²		Ω
Capacitance	Across Contacts		0.2		pF
Capacitance	Open Contact to Coil		0.3		pF
Capacitance	Closed Contact to Coil		0.5		pF
Dielectric Strength	Across Contacts		150		V (DC/Pk AC)
	Contact to Coil		1000		V (DC/Pk AC)
	Contact To Shield		1000		V (DC/Pk AC)
	Between Contacts of Adjacent Channels		1000		V (DC/Pk AC)
Operate Time (including bounce)	Nominal Voltage coil drive @ 30 Hz, square wave		100	200	μSec
Release Time (Si diode damped)			30	50	μSec
RF Insertion Loss ⁴	-3 dB roll-off frequency	8.0			GHz
RF Inter-Channel Isolation	Signal isolation between adjacent closed channels, 1GHz test signal	40.0			dB
Signal Rise Time (10% - 90%)				45	pSec
Magnetic Interaction ⁵	Between adjacent channels			16	%

NOTES:

¹All parameters specified per EIA/NARM standards for dry reed relays, # RS-421 and RS-436, if a suitable parametric standard exists.

²Unless otherwise noted, all parameters are specified at 25°C and 40% RH.

³Life expectancies based on characteristic life (63.2% failure) calculated from the 2-parameter Weibull distribution. Contact resistance >2.0Ω defines end of life.

⁴Frequency at which the difference between output and input signal amplitude exceeds -3dB.

⁵Maximum increase in operate voltage for any channel when all channel coils are driven at nominal coil voltage and with the same drive polarity.

ENVIRONMENTAL RATINGS:

Storage Temperature: -35°C to +100°C.

Operating Temperature: -20°C to +85°C.

Vibration: sinusoidal vibration with an amplitude of 10G over a 10Hz to 2000Hz frequency range shall neither cause a closed channel activated at the nominal coil voltage to open, nor an open channel to close. Max Soldering Temperature: 438°F(226°C) for 1 minute dwell time. Temperature measured at a relay ball termination.

Moisture sensitive component. Handle as J-STD-020B level 5a.

Данный компонент на территории Российской Федерации

Вы можете приобрести в компании MosChip.

Для оперативного оформления запроса Вам необходимо перейти по данной ссылке:

<http://moschip.ru/get-element>

Вы можете разместить у нас заказ для любого Вашего проекта, будь то серийное производство или разработка единичного прибора.

В нашем ассортименте представлены ведущие мировые производители активных и пассивных электронных компонентов.

Нашей специализацией является поставка электронной компонентной базы двойного назначения, продукции таких производителей как XILINX, Intel (ex.ALTERA), Vicor, Microchip, Texas Instruments, Analog Devices, Mini-Circuits, Amphenol, Glenair.

Сотрудничество с глобальными дистрибьюторами электронных компонентов, предоставляет возможность заказывать и получать с международных складов практически любой перечень компонентов в оптимальные для Вас сроки.

На всех этапах разработки и производства наши партнеры могут получить квалифицированную поддержку опытных инженеров.

Система менеджмента качества компании отвечает требованиям в соответствии с ГОСТ Р ИСО 9001, ГОСТ РВ 0015-002 и ЭС РД 009

Офис по работе с юридическими лицами:

105318, г.Москва, ул.Щербаковская д.3, офис 1107, 1118, ДЦ «Щербаковский»

Телефон: +7 495 668-12-70 (многоканальный)

Факс: +7 495 668-12-70 (доб.304)

E-mail: info@moschip.ru

Skype отдела продаж:

moschip.ru

moschip.ru_4

moschip.ru_6

moschip.ru_9