



## CODE 40 - TINEL-LOCK BACKSHELL

**TXR40AB00-1608AI-S**

SERIES \_\_\_\_\_  
 TXR: RING INCLUDED  
 (SEE RING OPTION)  
 TX: RING NOT INCLUDED  
 CONNECTOR INTERFACE \_\_\_\_\_  
 MATERIAL \_\_\_\_\_  
 REFER TO CH00-0250-008  
 FINISH \_\_\_\_\_  
 REFER TO CH00-0250-008  
 ANGLE \_\_\_\_\_  
 DASH NUMBER (TABLE 1) \_\_\_\_\_  
 ENTRY SIZE (TABLE 2) \_\_\_\_\_  
 RING OPTION \_\_\_\_\_  
 AI - TO SUIT SINGLE BRAID  
 BI - TO SUIT DOUBLE BRAID  
 FOR TX, LEAVE BLANK  
 MODIFICATION CODE \_\_\_\_\_  
 REFER TO CH00-0250-008 (2)

### NOTES:

1. THIS PRODUCT IS DESIGNED TO TERMINATE A BRAIDED CABLE SHIELD AND A HEAT SHRINKABLE LIPPED BOOT TO A CONNECTOR.
- (2) FOR ADDITIONAL DIMENSIONS, ORDERING INFORMATION AND MODIFICATIONS, SEE CH00-0250-008.
- (3) SEE DRAWING TR FOR DETAIL ON TINEL-LOCK RING, RINGS ARE DESIGNED TO BE HEATED ELECTRICALLY, ALL RINGS ARE MARKED WITH THERMOCHROMIC PAINT WHICH CHANGES COLOUR WHEN INSTALLATION TEMPERATURE IS REACHED.
4. BACKSHELL TO BE PERMANENTLY MARKED/BAGGED AND LABELLED WITH CODE IDENTIFICATION NUMBER AND PART NUMBER LESS RING DESIGNATOR. (e.g. 06090-TXR40AB00-1206). RING SHALL BEAR NO MARKING.
- (5) FOR LARGER ENTRY SIZES, A 2 PIECE BACKSHELL ASSEMBLY (TYPE 2) IS SUPPLIED.
6. BACKSHELL MATES TO MIL-DTL-38999, SERIES III AND IV, CLASS C, F, K, AND W, D38999/20, /24, /26, /40, /46 AND /47 CONNECTORS, AND WHEN SO MATED SHALL PROVIDE A WATER-TIGHT SEAL MEETING THE REQUIREMENTS OF MIL-C-85049, PARA. 3. 5. 7.
- (7) THESE DIMENSIONS APPLY IF A SELF-LOCKING COUPLING NUT IS USED.

|  |                           |            |               |   |  |                      |             |              |   |
|--|---------------------------|------------|---------------|---|--|----------------------|-------------|--------------|---|
| DRAWN  | K.WINCZURA                | DATE       | 04/12/2014    | <br>3RD ANGLE PROJECTION<br>NOT TO SCALE<br><br>UNLESS OTHERWISE SPECIFIED<br>ALL DIMENSIONS IN MILLIMETRES<br>GENERAL TOL<br>LINEAR +/-0.25MM<br>ANGULAR +/- 1° | TITLE:   | TINEL-LOCK BACKSHELL |             |              | <br>Polamco<br> |
| CHECKED  |                           | 04/12/2014 | ASSY USED ON: |   |  |                      |             |              |   |
| APPROVED   | K.SHEPPARD                | 04/12/2014 |               |   |  |                      |             |              |   |
| APPROVED   | H.SMITH                   | 15/06/2015 |               |   |  |                      |             |              |   |
| REVISIONS  |                           |            |               |   |  |                      |             |              |   |
| LTR  | DESCRIPTION               | DATE       | APPROVED      |   |  |                      |             |              |   |
| K  | REVISED PER ECO-15-002200 | 11.02.15   | H.SMITH       |   |  |                      |             |              |   |
| L  | REVISED PER ECO-17-009011 | 21.06.17   | D.JONES       |   |  |                      |             |              |   |
| TE CAGE CODE: 06090<br>POLAMCO/TE CAGE CODE: U5792 |                           |            |               |   | TE CONNECTIVITY - POLAMCO LTD RESERVES THE RIGHT TO AMEND THIS DRAWING AND THE INFORMATION SET FORTH HEREON AT ANY TIME. USERS SHOULD INDEPENDENTLY EVALUATE THE SUITABILITY OF THE PRODUCT FOR THEIR APPLICATION. |                      | DRAWING NO: | DRAWING REV: | SHT   |
|  |                           |            |               |   |  |                      | TXR40       | L            | 1   |



STRAIGHT BACKSHELL - TYPE 1



STRAIGHT BACKSHELL - TYPE 2



45° BACKSHELL - TYPE 1



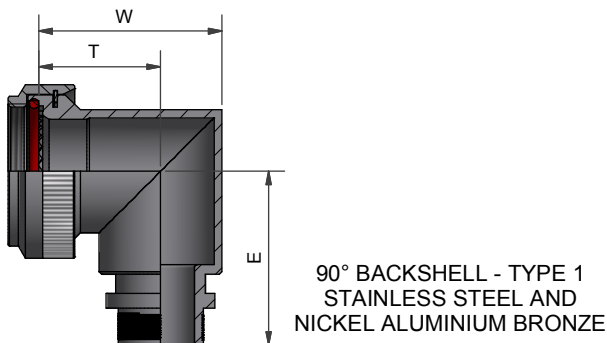
45° BACKSHELL - TYPE 2



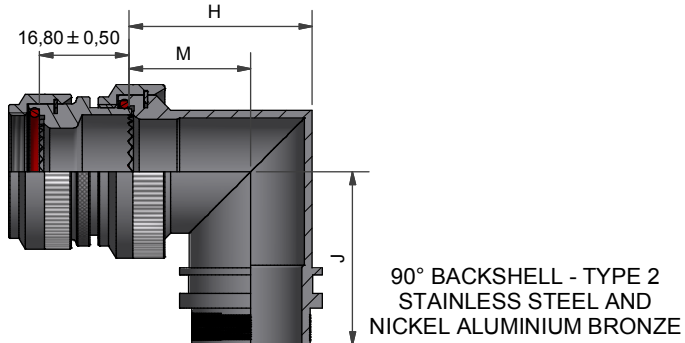
90° BACKSHELL - TYPE 1



90° BACKSHELL - TYPE 2



90° BACKSHELL - TYPE 1  
STAINLESS STEEL AND  
NICKEL ALUMINIUM BRONZE



90° BACKSHELL - TYPE 2  
STAINLESS STEEL AND  
NICKEL ALUMINIUM BRONZE

|           |                           |          |            |  |
|-----------|---------------------------|----------|------------|--|
| DRAWN     | K.WINCZURA                | DATE     | 04/12/2014 | <br>3RD ANGLE PROJECTION<br>NOT TO SCALE<br><br>UNLESS OTHERWISE SPECIFIED<br>ALL DIMENSIONS IN MILLIMETRES<br>GENERAL TOL<br>LINEAR +/-0.25MM<br>ANGULAR +/- 1° |
| CHECKED   |                           | DATE     | 04/12/2014 |  |
| APPROVED  | K.SHEPPARD                | DATE     | 04/12/2014 |  |
| APPROVED  | H.SMITH                   | DATE     | 15/06/2015 |  |
| REVISIONS |                           |          |            |  |
| LTR       | DESCRIPTION               | DATE     | APPROVED   |  |
| K         | REVISED PER ECO-15-002200 | 11.02.15 | H.SMITH    |  |
| L         | REVISED PER ECO-17-009011 | 21.06.17 | D.JONES    |  |

|               |  |                               |  |
|---------------|--|-------------------------------|--|
| TITLE:        |  | TINEL-LOCK BACKSHELL          |  |
| ASSY USED ON: |  | MIL-DTL-38999 SERIES III & IV |  |



TE CAGE CODE: 06090  
POLAMCO/TE CAGE CODE: U5792

TE CONNECTIVITY - POLAMCO LTD RESERVES THE RIGHT TO AMEND THIS DRAWING AND THE INFORMATION SET FORTH HEREON AT ANY TIME. USERS SHOULD INDEPENDENTLY EVALUATE THE SUITABILITY OF THE PRODUCT FOR THEIR APPLICATION.

|             |              |     |
|-------------|--------------|-----|
| DRAWING NO: | DRAWING REV: | SHT |
| TXR40       | L            | 2   |

# MODIFICATION S (SELF-LOCKING COUPLING NUT)



BACKSHELL - TYPE 1



BACKSHELL - TYPE 2

TABLE 1

| ORDER NO. | SHELL SIZE COM'L / MIL | A THREAD  | ØB MAX | ØB MAX $\langle 7 \rangle$ | MAX ENTRY | C $\pm 0,5$ | D $\pm 0,5$ | W $\pm 0,5$ | T $\pm 0,5$ | E $\pm 0,5$ | THESE DIMENSIONS APPLY IF BACKSHELL IS STAINLESS STEEL OR NICKEL ALUMINIUM BRONZE |             |             |
|-----------|------------------------|-----------|--------|----------------------------|-----------|-------------|-------------|-------------|-------------|-------------|---|-------------|-------------|
|           |                        |           |        |                            |           |             |             |             |             |             | W $\pm 0,5$   | T $\pm 0,5$ | E $\pm 0,5$ |
| 08        | 9 / A                  | M12 x 1.0 | 18,0   | 21,5                       | 04        | 12,0        | 26,8        | 21,0        | 14,0        | 26,20       | 21,2  | 16,3        | 26,4        |
| 10        | 11 / B                 | M15 x 1.0 | 21,0   | 24,6                       | 07        | 12,5        | 27,5        | 24,0        | 15,5        | 27,95       | 24,3  | 17,2        | 28,2        |
| 12        | 13 / C                 | M18 x 1.0 | 24,5   | 28,3                       | 08        | 13,1        | 28,0        | 27,0        | 17,0        | 29,45       | 28,3  | 19,4        | 29,7        |
| 14        | 15 / D                 | M22 x 1.0 | 29,0   | 32,4                       | 10        | 13,5        | 29,0        | 31,0        | 19,5        | 31,00       | 31,1  | 21,0        | 31,2        |
| 16        | 17 / E                 | M25 x 1.0 | 32,5   | 35,6                       | 12        | 14,5        | 29,7        | 34,0        | 21,0        | 32,70       | 34,2  | 22,8        | 32,9        |
| 18        | 19 / F                 | M28 x 1.0 | 35,5   | 38,5                       | 14        | 15,5        | 30,5        | 35,0        | 20,0        | 34,25       | 38,5  | 25,3        | 34,5        |
| 20        | 21 / G                 | M31 x 1.0 | 37,0   | 41,7                       | 16        | 16,1        | 30,9        | 38,0        | 21,5        | 35,80       | 40,7  | 26,1        | 36,1        |
| 22        | 23 / H                 | M34 x 1.0 | 40,0   | 43,9                       | 18        | 16,5        | 31,1        | 42,0        | 24,0        | 37,40       | 43,7  | 27,6        | 37,6        |
| 24        | 25 / J                 | M37 x 1.0 | 43,5   | 47,0                       | 20        | 17,0        | 32,1        | 45,0        | 25,5        | 38,90       | 46,4  | 29,1        | 39,1        |

TABLE 2

| ENTRY SIZE | ØZ MIN | ØS            | ØY $\pm 0,3$ | ØK MAX | ØK MAX $\langle 7 \rangle$ | F $\pm 0,5$ | G $\pm 0,5$ | H $\pm 0,5$ | M $\pm 0,5$ | J $\pm 0,5$ | THESE DIMENSIONS APPLY IF BACKSHELL IS STAINLESS STEEL OR NICKEL ALUMINIUM BRONZE |             |             |
|------------|--------|---------------|--------------|--------|----------------------------|-------------|-------------|-------------|-------------|-------------|---|-------------|-------------|
|            |        |               |              |        |                            |             |             |             |             |             | H $\pm 0,5$   | M $\pm 0,5$ | J $\pm 0,5$ |
| 04         | 6,35   | 9,49 +/-0,04  | 14,00        | NA     | NA                         | NA          | NA          | NA          | NA          | NA          | NA  | NA          | NA          |
| 05         | 7,92   | 11,06 +/-0,04 | 15,50        | 21,0   | 24,6                       | 12,5        | 27,5        | 24,0        | 15,5        | 27,95       | 24,3  | 17,2        | 28,2        |
| 06         | 9,53   | 12,66 +/-0,04 | 17,10        | 21,0   | 24,6                       | 12,5        | 27,5        | 24,0        | 15,5        | 27,95       | 24,3  | 17,2        | 28,2        |
| 07         | 11,10  | 14,21 +/-0,07 | 18,70        | 21,0   | 24,6                       | 12,5        | 27,5        | 24,0        | 15,5        | 27,95       | 24,3  | 17,2        | 28,2        |
| 08         | 12,70  | 15,81 +/-0,07 | 20,30        | 24,5   | 28,3                       | 13,1        | 28,0        | 27,0        | 17,0        | 29,45       | 28,3  | 19,4        | 29,7        |
| 10         | 15,88  | 18,96 +/-0,08 | 23,50        | 29,0   | 32,4                       | 13,5        | 29,0        | 31,0        | 19,5        | 31,00       | 31,1  | 21,0        | 31,2        |
| 12         | 19,05  | 22,14 +/-0,08 | 26,70        | 32,5   | 35,6                       | 14,5        | 29,7        | 34,0        | 21,0        | 32,70       | 34,2  | 22,8        | 32,9        |
| 14         | 22,23  | 25,30 +/-0,08 | 29,80        | 35,5   | 38,5                       | 15,5        | 30,5        | 35,0        | 20,0        | 34,25       | 38,5  | 25,3        | 34,5        |
| 16         | 25,40  | 28,48 +/-0,08 | 33,00        | 37,0   | 41,7                       | 16,1        | 30,9        | 38,0        | 21,5        | 35,80       | 40,7  | 26,1        | 36,1        |
| 18         | 28,58  | 31,65 +/-0,08 | 36,20        | 40,0   | 43,9                       | 16,5        | 31,1        | 42,0        | 24,0        | 37,40       | 43,7  | 27,6        | 37,6        |
| 20         | 31,75  | 34,83 +/-0,08 | 39,40        | 43,5   | 47,0                       | 17,0        | 32,1        | 45,0        | 25,5        | 38,90       | 46,4  | 29,1        | 39,1        |
| 22         | 34,93  | 37,98 +/-0,08 | 42,50        | 48,5   | 50,0                       | 18,5        | 35,3        | 54,5        | 31,0        | 42,00       | 50,0  | 31,0        | 42,0        |
| 24         | 38,10  | 41,15 +/-0,08 | 45,70        | 52,1   | 56,0                       | 21,9        | 38,1        | 58,0        | 33,0        | 46,00       | 53,5  | 33,0        | 46,0        |

|          |            |      |            |   |
|----------|------------|------|------------|---|
| DRAWN    | K.WINCZURA | DATE | 04/12/2014 |   |
| CHECKED  |            | DATE | 04/12/2014 |   |
| APPROVED | K.SHEPPARD | DATE | 04/12/2014 | UNLESS OTHERWISE SPECIFIED ALL DIMENSIONS IN MILLIMETRES<br>GENERAL TOL<br>LINEAR +/-0,25MM<br>ANGULAR +/- 1° |
| APPROVED | H.SMITH    | DATE | 15/06/2015 |   |

| REVISIONS |                           |          |          |
|-----------|---------------------------|----------|----------|
| LTR       | DESCRIPTION               | DATE     | APPROVED |
| K         | REVISED PER ECO-15-002200 | 11.02.15 | H.SMITH  |
| L         | REVISED PER ECO-17-009011 | 21.06.17 | D.JONES  |

|                      |  |  |  |
|----------------------|--|--|--|
| <b>TITLE:</b>        |  | <b>TINEL-LOCK BACKSHELL</b>              |  |
| <b>ASSY USED ON:</b> |  | <b>MIL-DTL-38999 SERIES III &amp; IV</b> |  |



TE CAGE CODE: 06090  
POLAMCO/TE CAGE CODE: U5792

TE CONNECTIVITY - POLAMCO LTD RESERVES THE RIGHT TO AMEND THIS DRAWING AND THE INFORMATION SET FORTH HEREON AT ANY TIME. USERS SHOULD INDEPENDENTLY EVALUATE THE SUITABILITY OF THE PRODUCT FOR THEIR APPLICATION.

|              |              |          |
|--------------|--------------|----------|
| DRAWING NO:  | DRAWING REV: | SHT      |
| <b>TXR40</b> | <b>L</b>     | <b>3</b> |

## Данный компонент на территории Российской Федерации

### Вы можете приобрести в компании MosChip.

Для оперативного оформления запроса Вам необходимо перейти по данной ссылке:

<http://moschip.ru/get-element>

Вы можете разместить у нас заказ для любого Вашего проекта, будь то серийное производство или разработка единичного прибора.

В нашем ассортименте представлены ведущие мировые производители активных и пассивных электронных компонентов.

Нашей специализацией является поставка электронной компонентной базы двойного назначения, продукции таких производителей как XILINX, Intel (ex.ALTERA), Vicor, Microchip, Texas Instruments, Analog Devices, Mini-Circuits, Amphenol, Glenair.

Сотрудничество с глобальными дистрибьюторами электронных компонентов, предоставляет возможность заказывать и получать с международных складов практически любой перечень компонентов в оптимальные для Вас сроки.

На всех этапах разработки и производства наши партнеры могут получить квалифицированную поддержку опытных инженеров.

Система менеджмента качества компании отвечает требованиям в соответствии с ГОСТ Р ИСО 9001, ГОСТ РВ 0015-002 и ЭС РД 009

### Офис по работе с юридическими лицами:

105318, г.Москва, ул.Щербаковская д.3, офис 1107, 1118, ДЦ «Щербаковский»

Телефон: +7 495 668-12-70 (многоканальный)

Факс: +7 495 668-12-70 (доб.304)

E-mail: [info@moschip.ru](mailto:info@moschip.ru)

Skype отдела продаж:

moschip.ru

moschip.ru\_4

moschip.ru\_6

moschip.ru\_9