

LA6585MC

BTL Driver Single-phase Full-wave for Motor Driver

Monolithic Digital IC

Overview

The LA6585MC is single-phase bipolar fan motor is driven, through BTL output linear drive, at high efficiency, low power, and low sound by suppressing the reactive power. Lock protection, rotary signal circuits are incorporated, which is optimum for the notebook PC, consumer equipment power supply, car audio system, CPU cooler, etc. that require high reliability and low noise.

Functions and Features

- Pre-driver for Single-phase Full-wave Drive
- Single-phase Full-wave Linear Drive by BTL Output (Gain Resistance 1 k Ω –360 k Ω , 51 dB):
No Switching Noise, which is Optimum for Equipment Requiring Silence, such as Consumer Equipment Power Supply, Car Audio System, etc.
- Low-voltage Operation Possible, with Wide Operating Voltage Range (2.2 to 14.0 V)
- Low Saturation Output (Upper + Lower Saturation Voltage: V_{Osat} (Total) = 1.2 V Typ, I_O = 250 mA): High Coil Efficiency with Low Current Drain. Additionally, IC itself Generates only Small Heat
- Built-in Lock Protection and Automatic Reset Circuits
- Built-in FG & RD Outputs
- Built-in Hall bias (V_{HB} = 1.5 V)
- Thermal Protection Circuit: When the Large Current Flows due to Output Short-circuit and the IC Chip Temperature Exceeds 180°C, this Protective Circuit Suppresses the Drive Current to Prevent Burn and Damage to IC.
- Extra-small & High Heat Capacity Package



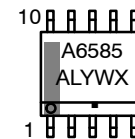
ON Semiconductor®

www.onsemi.com



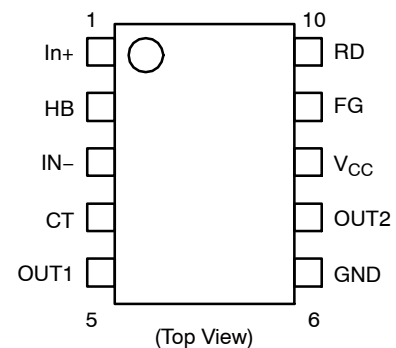
SOIC-10 NB
CASE 751BQ

MARKING DIAGRAM



A6585 = Specific Device Code
A = Assembly Location
L = Wafer Lot
Y = Year
W = Work Week
▪ = Pb-Free Package

PIN ASSIGNMENT



ORDERING INFORMATION

See detailed ordering and shipping information on page 5 of this data sheet.

LA6585MC

SPECIFICATIONS

ABSOLUTE MAXIMUM RATINGS ($T_A = 25^\circ\text{C}$)

Symbol	Parameter	Conditions	Ratings	Unit
V_{CC} max	Supply Voltage		15	V
P_d max	Allowable Power Dissipation	Mounted on a specified board (Note 1)	750	mW
I_{OUT} max	Output Current		0.7	A
V_{OUT} max	Output Withstand Voltage		15	V
$V_{RD/FG}$ max	RD/FG Output Pin Output Withstand Voltage		15	V
$I_{RD/FG}$ max	RD/FG Output Current		10	mA
I_B max	HB Output Current		10	mA
T_{opr}	Operating Temperature		-30 to +90	$^\circ\text{C}$
T_{stg}	Storage Temperature		-55 to +150	$^\circ\text{C}$

Stresses exceeding those listed in the Maximum Ratings table may damage the device. If any of these limits are exceeded, device functionality should not be assumed, damage may occur and reliability may be affected.

1. Mounted on a specified board: 114.3 mm \times 76.1 mm \times 1.6 mm glass epoxy.

OPERATING CONDITIONS ($T_A = 25^\circ\text{C}$)

Symbol	Parameter	Conditions	Ratings	Unit
V_{CC}	Supply Voltage		2.2 to 14.0	V
V_{ICM}	Common-phase Input Voltage Range of Hall Input		0 to $V_{CC}-1.5$	V

Functional operation above the stresses listed in the Recommended Operating Ranges is not implied. Extended exposure to stresses beyond the Recommended Operating Ranges limits may affect device reliability.

ELECTRICAL CHARACTERISTICS ($T_A = 25^\circ\text{C}$, $V_{CC} = 12$ V, unless otherwise specified)

Symbol	Parameter	Conditions	Min	Typ	Max	Unit
I_{CC1}	Circuit Current	During drive (CT = L)	3	6	9	mA
I_{CC2}		During lock protection (CT = H)	2.5	5	7.5	mA
I_{CT1}	Lock Detection Capacitor Charge Current		0.9	1.2	1.5	μA
I_{CT2}	Capacitor Discharge Current		0.10	0.18	0.25	μA
R_{CT}	Capacitor Charge and Discharge Current Ratio	$RCD = I_{CT1}/I_{CT2}$	5	6.5	8	-
V_{CT1}	CT Charge Voltage		1.3	1.5	1.7	V
V_{CT2}	CT Discharge Voltage		0.3	0.5	0.7	V
V_{OL}	OUT Output L Saturation Voltage	$I_O = 200$ mA	-	0.25	0.45	V
V_{OH}	OUT Output H Saturation Voltage	$I_O = 200$ mA	-	0.95	1.2	V
V_{HN}	Hall Input Sensitivity	Zero peak value (including offset and hysteresis)	-	7	15	mV
V_{HB}	Hall Bias Voltage	$I_{HB} = 5$ mA	1.3	1.5	1.7	V
$V_{FG/RD}$	FG/RD Output Pin L Voltage	$I_{RD/FG} = 5$ mA	-	0.15	0.3	V
$I_{FG/RDL}$	FG/RD Output Pin Leak Current	$V_{RD/FG} = 15$ V	-	1	30	μA

Product parametric performance is indicated in the Electrical Characteristics for the listed test conditions, unless otherwise noted. Product performance may not be indicated by the Electrical Characteristics if operated under different conditions.

LA6585MC

TRUTH TABLE

IN-	IN+	CT	OUT1	OUT2	FG	RD	Mode
H	L	L	H	L	L	L	During rotation
L	H		L	H	H		
-	-	H	Off	Off	-	H	During overheat protection

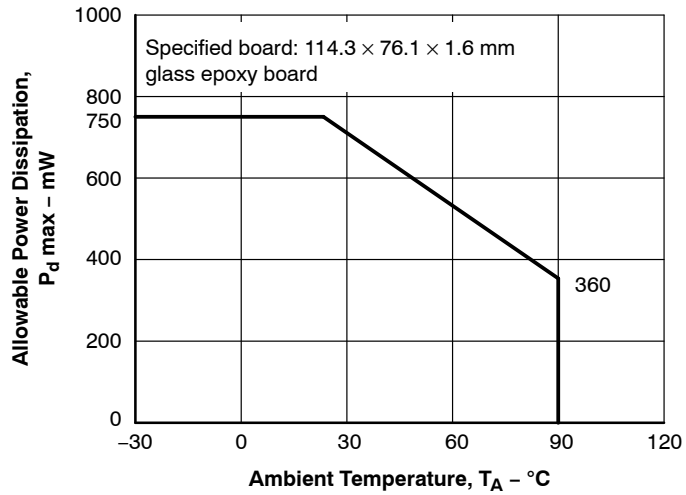


Figure 1. P_d max - T_A

LA6585MC

BLOCK DIAGRAM

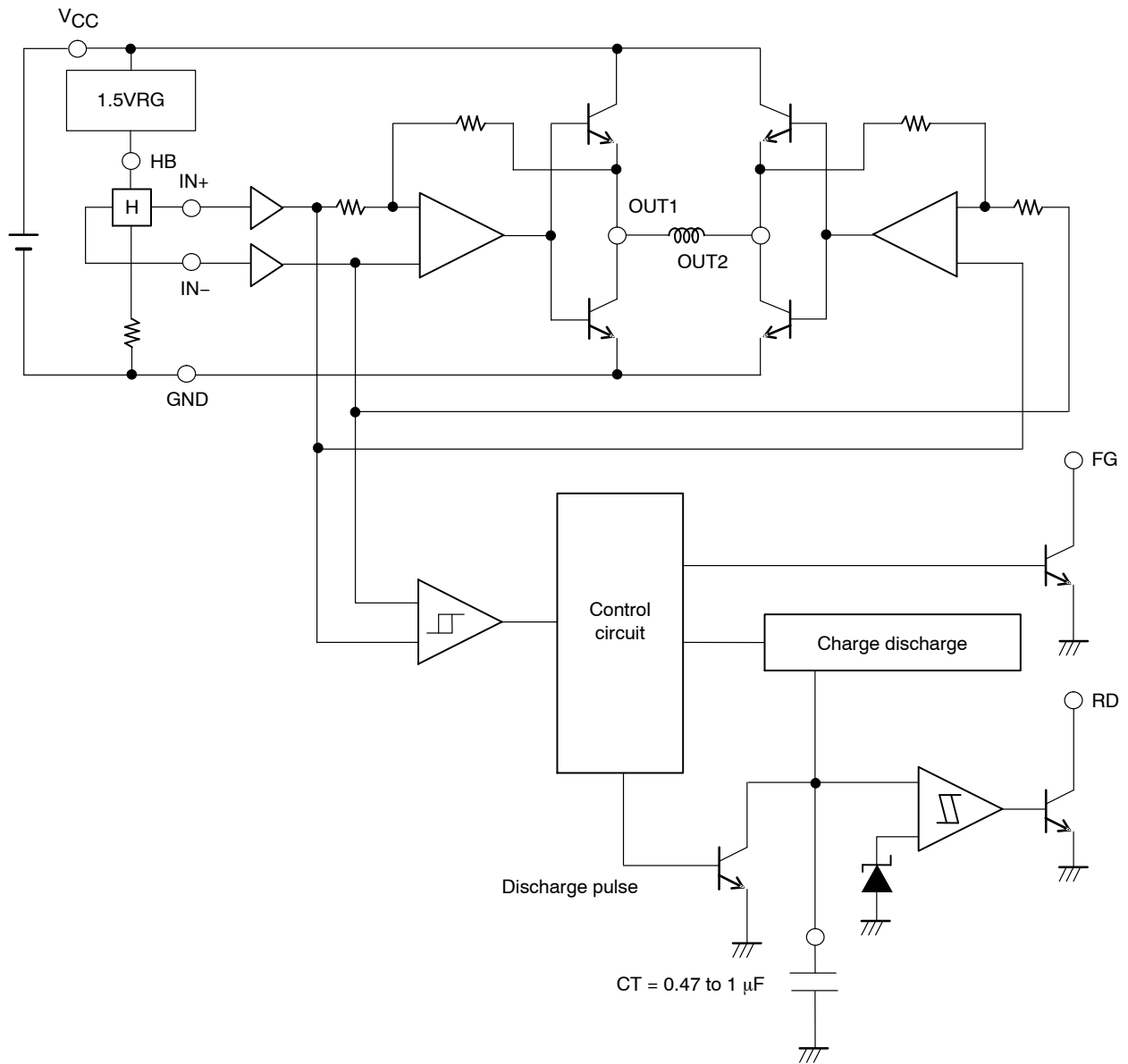


Figure 2. Block Diagram

LA6585MC

APPLICATION CIRCUIT

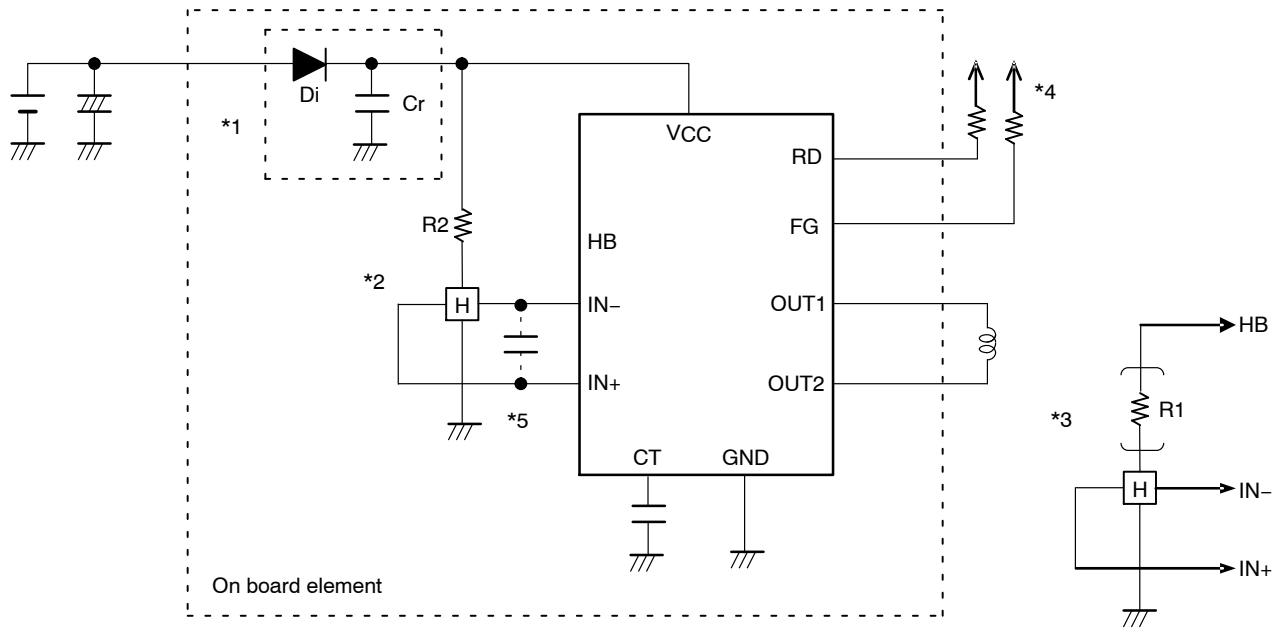


Figure 3. Sample Application Circuit

- *1: When the breakdown protective DI at reverse connection is to be used, it is necessary to insert the capacitor Cr to secure the regenerative current route. Similarly, Cr must be provided to enhance the reliability when there is no capacitor near the fan power line.
- *2: To obtain Hall bias from V_{CC} , carry out bias to V_{CC} with resistor R2 as shown in the figure. Linear driving is made through voltage control of the coil by amplifying the Hall output. When the Hall element output is large, the startup performance and efficiency are improved. Adjustment of the Hall element can reduce the noise further.

- *3: To obtain Hall bias from the HB pin, carry out constant-voltage bias at about 1.5 V, which enables the Hall element to generate the stable Hall output satisfactory in temperature characteristics. Adjustment of the Hall output amplitude is made with R1. (When $V_{CC} = 12$ V, the step *2 above proves advantageous for IC heat generation.)
- *4: Keep this open when not using.
- *5: When the wiring from the Hall output to IC Hall input is long, noise may be carried through the wiring. In this case, insert the capacitor as shown in the figure.

ORDERING INFORMATION

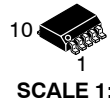
Device	Package	Wire Bond	Shipping† (Qty / Packing)
LA6585MC-AH	SOIC-10 NB (Pb-Free / Halogen Free)	Au wire	2,000 / Tape & Reel
LA6585MC-AH-M	SOIC-10 NB (Pb-Free / Halogen Free)	Au wire	2,000 / Tape & Reel

†For information on tape and reel specifications, including part orientation and tape sizes, please refer to our Tape and Reel Packaging Specifications Brochure, [BRD8011/D](#).

MECHANICAL CASE OUTLINE

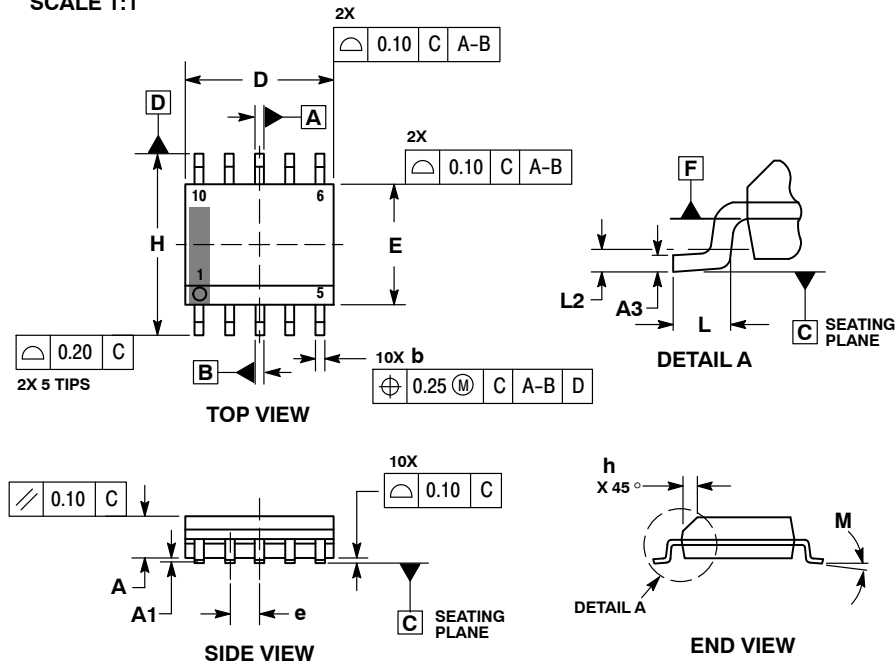
PACKAGE DIMENSIONS

ON Semiconductor®



SOIC-10 NB
CASE 751BQ
ISSUE B

DATE 26 NOV 2013

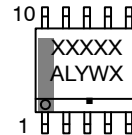


NOTES:

1. DIMENSIONING AND TOLERANCING PER ASME Y14.5M, 1994.
2. CONTROLLING DIMENSION: MILLIMETERS.
3. DIMENSION b DOES NOT INCLUDE DAMBAR PROTRUSION. ALLOWABLE PROTRUSION SHALL BE 0.10mm TOTAL IN EXCESS OF 'b' AT MAXIMUM MATERIAL CONDITION.
4. DIMENSIONS D AND E DO NOT INCLUDE MOLD FLASH, PROTRUSIONS, OR GATE BURRS. MOLD FLASH, PROTRUSIONS, OR GATE BURRS SHALL NOT EXCEED 0.15mm PER SIDE. DIMENSIONS D AND E ARE DETERMINED AT DATUM F.
5. DIMENSIONS A AND B ARE TO BE DETERMINED AT DATUM F.
6. A1 IS DEFINED AS THE VERTICAL DISTANCE FROM THE SEATING PLANE TO THE LOWEST POINT ON THE PACKAGE BODY.

MILLIMETERS		
DIM	MIN	MAX
A	1.25	1.75
A1	0.10	0.25
A3	0.17	0.25
b	0.31	0.51
D	4.80	5.00
E	3.80	4.00
e	1.00 BSC	
H	5.80	6.20
h	0.37 REF	
L	0.40	0.80
L2	0.25 BSC	
M	0°	8°

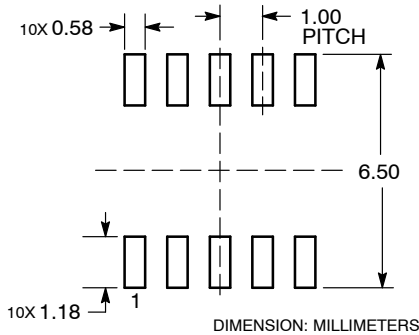
GENERIC MARKING DIAGRAM*



- XXXXXX = Specific Device Code
- A = Assembly Location
- L = Wafer Lot
- Y = Year
- W = Work Week
- = Pb-Free Package

*This information is generic. Please refer to device data sheet for actual part marking. Pb-Free indicator, "G", may or not be present.

RECOMMENDED SOLDERING FOOTPRINT*



*For additional information on our Pb-Free strategy and soldering details, please download the ON Semiconductor Soldering and Mounting Techniques Reference Manual, SOLDERRM/D.

DOCUMENT NUMBER:	98AON52341E	Electronic versions are uncontrolled except when accessed directly from the Document Repository. Printed versions are uncontrolled except when stamped "CONTROLLED COPY" in red.
STATUS:	ON SEMICONDUCTOR STANDARD	
NEW STANDARD:		
DESCRIPTION:	SOIC-10 NB	PAGE 1 OF 2

ON Semiconductor and  are trademarks of Semiconductor Components Industries, LLC dba ON Semiconductor or its subsidiaries in the United States and/or other countries. ON Semiconductor owns the rights to a number of patents, trademarks, copyrights, trade secrets, and other intellectual property. A listing of ON Semiconductor's product/patent coverage may be accessed at www.onsemi.com/site/pdf/Patent-Marking.pdf. ON Semiconductor reserves the right to make changes without further notice to any products herein. ON Semiconductor makes no warranty, representation or guarantee regarding the suitability of its products for any particular purpose, nor does ON Semiconductor assume any liability arising out of the application or use of any product or circuit, and specifically disclaims any and all liability, including without limitation special, consequential or incidental damages. Buyer is responsible for its products and applications using ON Semiconductor products, including compliance with all laws, regulations and safety requirements or standards, regardless of any support or applications information provided by ON Semiconductor. "Typical" parameters which may be provided in ON Semiconductor data sheets and/or specifications can and do vary in different applications and actual performance may vary over time. All operating parameters, including "Typicals" must be validated for each customer application by customer's technical experts. ON Semiconductor does not convey any license under its patent rights nor the rights of others. ON Semiconductor products are not designed, intended, or authorized for use as a critical component in life support systems or any FDA Class 3 medical devices or medical devices with a same or similar classification in a foreign jurisdiction or any devices intended for implantation in the human body. Should Buyer purchase or use ON Semiconductor products for any such unintended or unauthorized application, Buyer shall indemnify and hold ON Semiconductor and its officers, employees, subsidiaries, affiliates, and distributors harmless against all claims, costs, damages, and expenses, and reasonable attorney fees arising out of, directly or indirectly, any claim of personal injury or death associated with such unintended or unauthorized use, even if such claim alleges that ON Semiconductor was negligent regarding the design or manufacture of the part. ON Semiconductor is an Equal Opportunity/Affirmative Action Employer. This literature is subject to all applicable copyright laws and is not for resale in any manner.

PUBLICATION ORDERING INFORMATION

LITERATURE FULFILLMENT:

Literature Distribution Center for ON Semiconductor
19521 E. 32nd Pkwy, Aurora, Colorado 80011 USA
Phone: 303-675-2175 or 800-344-3860 Toll Free USA/Canada
Fax: 303-675-2176 or 800-344-3867 Toll Free USA/Canada
Email: orderlit@onsemi.com

N. American Technical Support: 800-282-9855 Toll Free
USA/Canada
Europe, Middle East and Africa Technical Support:
Phone: 421 33 790 2910

ON Semiconductor Website: www.onsemi.com

Order Literature: <http://www.onsemi.com/orderlit>

For additional information, please contact your local
Sales Representative

Данный компонент на территории Российской Федерации

Вы можете приобрести в компании MosChip.

Для оперативного оформления запроса Вам необходимо перейти по данной ссылке:

<http://moschip.ru/get-element>

Вы можете разместить у нас заказ для любого Вашего проекта, будь то серийное производство или разработка единичного прибора.

В нашем ассортименте представлены ведущие мировые производители активных и пассивных электронных компонентов.

Нашей специализацией является поставка электронной компонентной базы двойного назначения, продукции таких производителей как XILINX, Intel (ex.ALTERA), Vicor, Microchip, Texas Instruments, Analog Devices, Mini-Circuits, Amphenol, Glenair.

Сотрудничество с глобальными дистрибьюторами электронных компонентов, предоставляет возможность заказывать и получать с международных складов практически любой перечень компонентов в оптимальные для Вас сроки.

На всех этапах разработки и производства наши партнеры могут получить квалифицированную поддержку опытных инженеров.

Система менеджмента качества компании отвечает требованиям в соответствии с ГОСТ Р ИСО 9001, ГОСТ РВ 0015-002 и ЭС РД 009

Офис по работе с юридическими лицами:

105318, г.Москва, ул.Щербаковская д.3, офис 1107, 1118, ДЦ «Щербаковский»

Телефон: +7 495 668-12-70 (многоканальный)

Факс: +7 495 668-12-70 (доб.304)

E-mail: info@moschip.ru

Skype отдела продаж:

moschip.ru

moschip.ru_4

moschip.ru_6

moschip.ru_9