

4

3

2

1

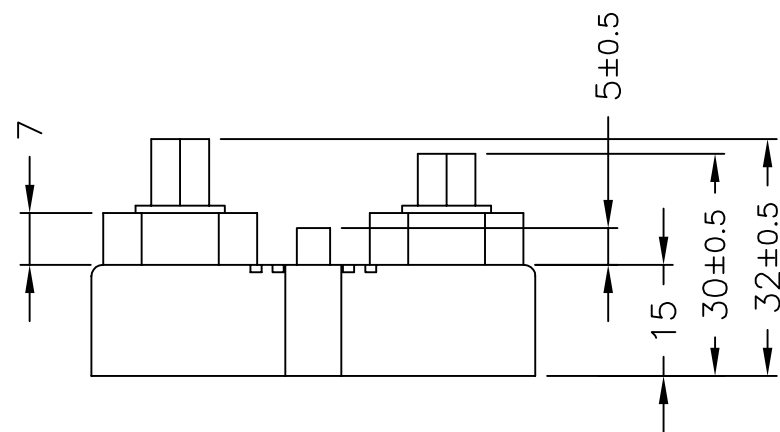
THIS DRAWING IS UNPUBLISHED.

RELEASED FOR PUBLICATION

NOV ,2005.

© COPYRIGHT 2005 BY TYCO ELECTRONICS CORPORATION. ALL RIGHTS RESERVED.

LOC	DIST	REVISIONS			
P	LTR	DESCRIPTION	DATE	DWN	APVD
E	B	A	FIRST REVISION	02NOV05	DK JC



CREEPING DISTANCE: 48.7mm MIN

CONTACTS M5, NORMAL
MAX TORQUE: 2Nm

MOUNTING SCREW: M4, NORMAL
MAX TORQUE: 1.8Nm

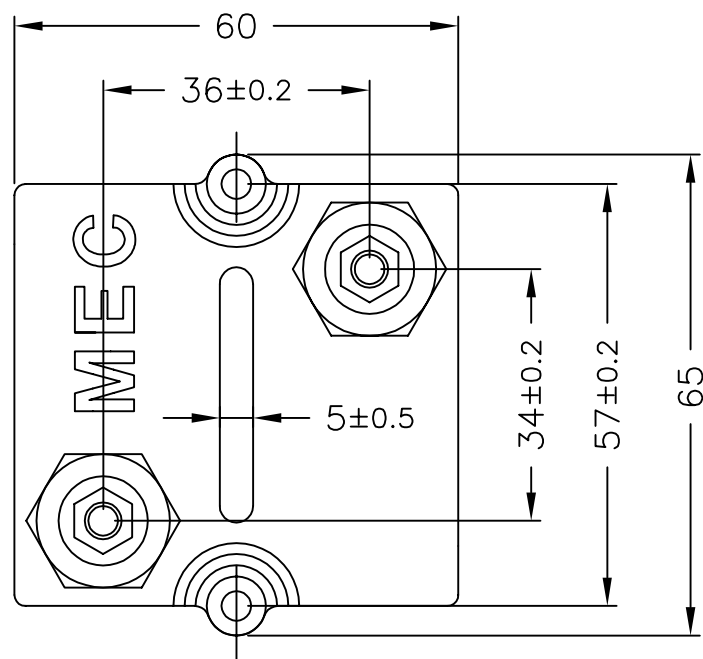
DIELECTRIC STRENGTH: 10kV
TEST TIME: 30sec

PARTIAL DISCHARGE:

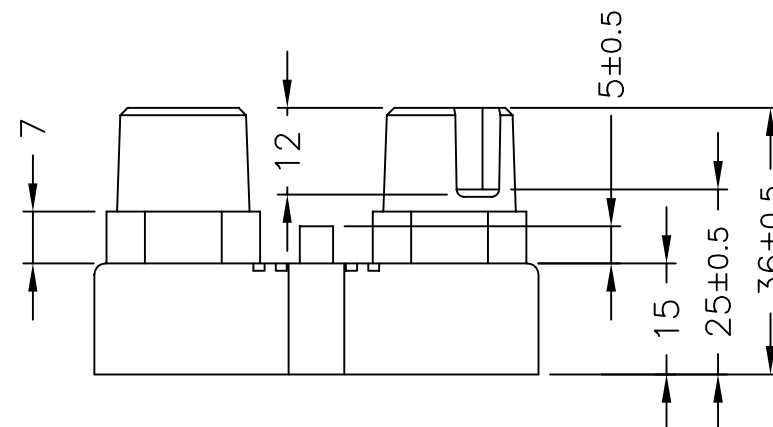
10kV FOR 30sec, BACK TO
6kV FOR 30sec.,PARTIAL
DISCHARGE <10pC I

MARKING:

BDS/600
R-VALUE/TOLERANCE
DATE OF MANUFACTURE year/week
LOT-CODE



BDS-600



CONTACTS M5, NORMAL
MAX TORQUE: 2Nm

MOUNTING SCREW: M4, NORMAL
MAX TORQUE: 1.8Nm

DIELECTRIC STRENGTH: 10kV/60sec

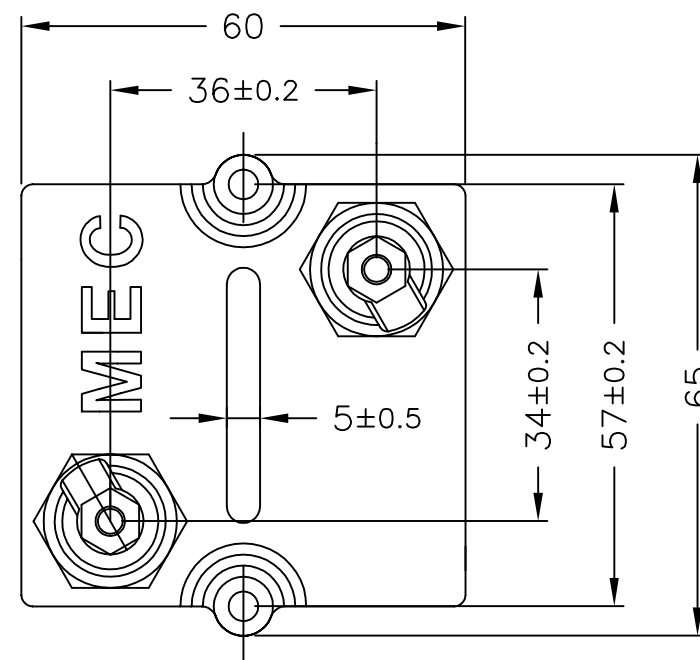
PARTIAL DISCHARGE:
TE: 4kV < 10pC/10sec

RATED POWER: 600W

TC: ±150ppm/°C

MARKING:

BDS/600/7
R-VALUE/TOLERANCE
LOT-CODE



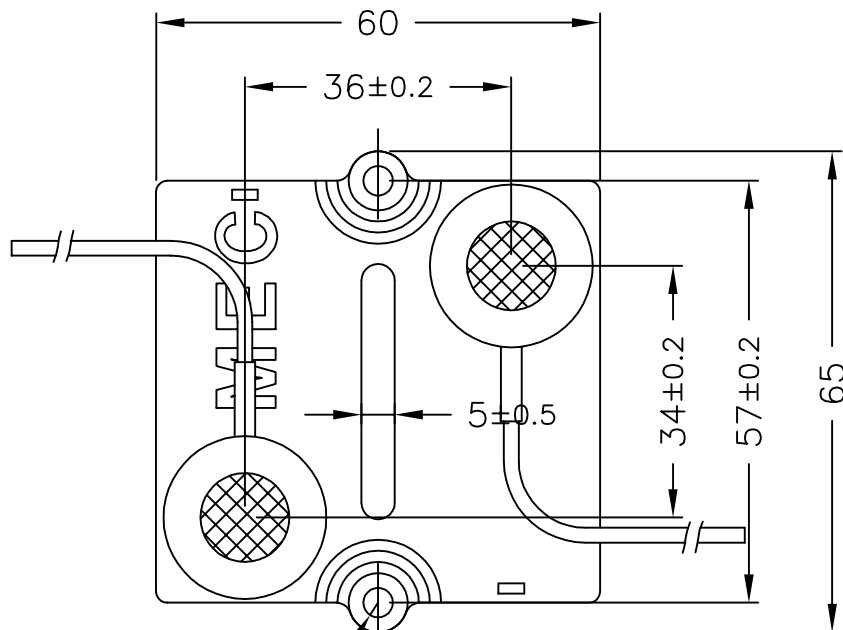
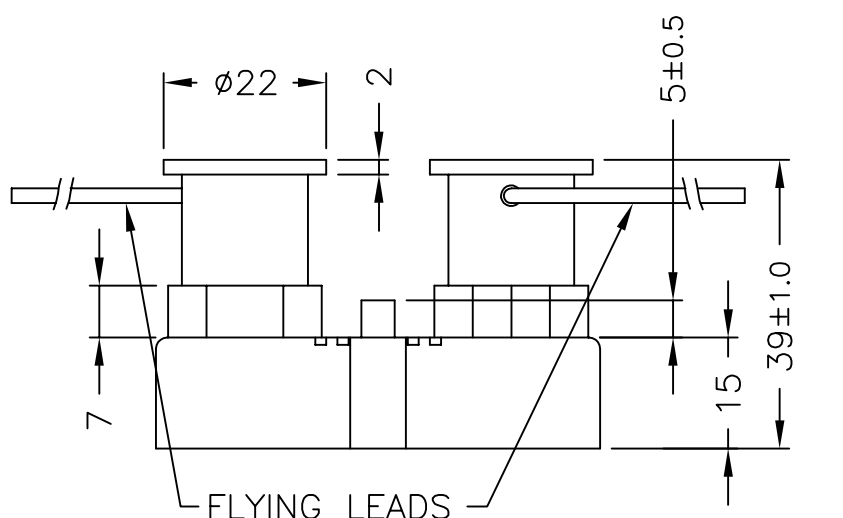
R9001

FOR A SPECIFIC PN FOR A RESISTANCE VALUE
AND TOLERANCE, PLEASE REFER TO DMF.

THIS DRAWING IS A CONTROLLED DOCUMENT.		DWN DAVE KENNEDY 01NOV05	Tyco Electronics Corporation Dorcan, Swindon, SN3 5HH	
DIMENSIONS: MM		CHK J CATCHPOLE 02NOV05	NAME BDS600, BDS500 & R9000 SERIES	
TOLERANCES UNLESS OTHERWISE SPECIFIED:		APVD J CATCHPOLE 02NOV05	SIZE A3	
0 PLC ± 0.5		PRODUCT SPEC	CAGE CODE 00779	DRAWING NO C=1623817
1 PLC ± 0.2		APPLICATION SPEC	RESTRICTED TO	
2 PLC ± 0.1		—	—	
3 PLC ± -		—	—	
4 PLC ± -		—	—	
ANGLES ± 5		WEIGHT	—	
MATERIAL	FINISH	CUSTOMER DRAWING		
—	—	SCALE NTS	SHEET 1 OF 3	REV A

THIS DRAWING IS UNPUBLISHED. RELEASED FOR PUBLICATION NOV ,2005.
 © COPYRIGHT 2005 BY TYCO ELECTRONICS CORPORATION. ALL RIGHTS RESERVED.

LOC	DIST	REVISIONS			
P	LTR	DESCRIPTION	DATE	DWN	APVD
E	B	A	FIRST REVISION	02NOV05	DK JC

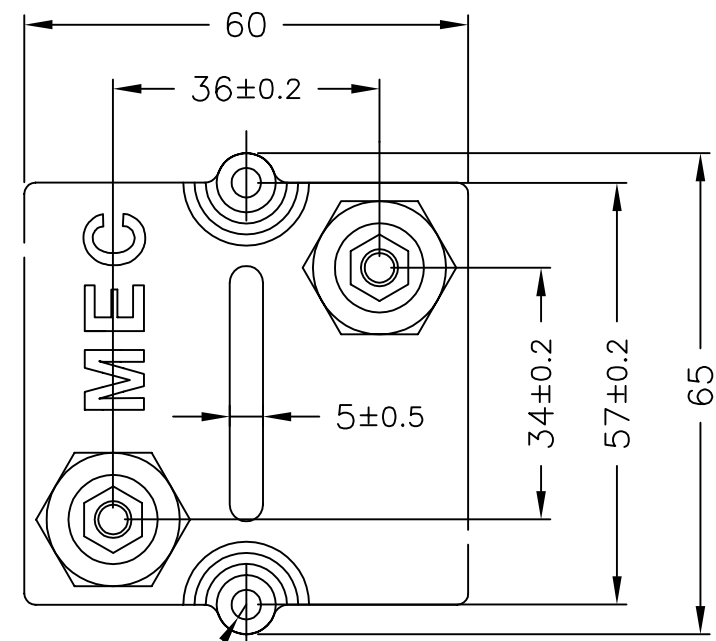
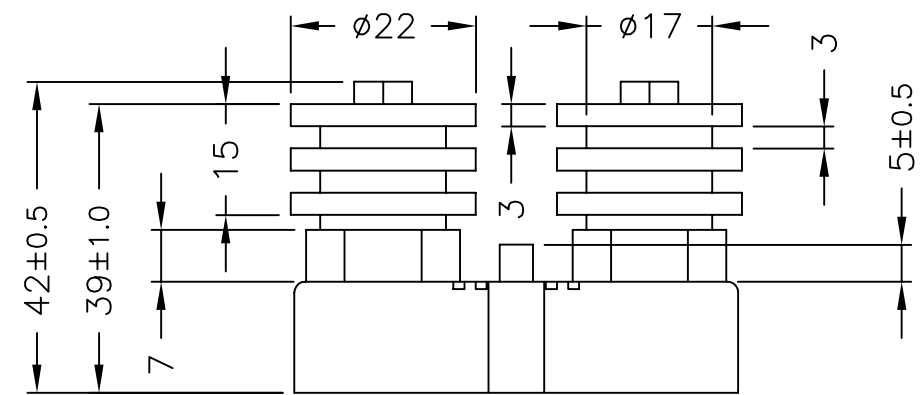


FLYING LEADS : SPC 19/.200 x 2.0 CR

STROKE No.	SLEEVE LENGTH (mm)	LEAD LENGTH (mm)
/0	10	300
/1	10	800
/2	10	1000
/3	10	350
/4	10	600
/5	10	550
/6		

R9003/SERIES

MARKING:
 CODE: R9003/____
 VALUE / TOLERANCE
 DATE CODE
 LOT-CODE



R9002

CONTACTS M5, NORMAL
 MAX TORQUE: 2Nm
 MOUNTING SCREW: M5, NORMAL
 MAX TORQUE: 1.8Nm
 DIELECTRIC STRENGTH:
 10kV AC FOR 30 sec.
 PARTIAL DISCHARGE
 TE_x = 5kV AC/<10pC-30sec.
 RATED POWER: 600W
 MARKING:
 R9002
 R-VALUE / TOLERANCE
 DATE OF MANUFACTURE year/week
 LOT-CODE

FOR A SPECIFIC PN FOR A RESISTANCE VALUE AND TOLERANCE, PLEASE REFER TO DMF.

THIS DRAWING IS A CONTROLLED DOCUMENT.		DWN DAVE KENNEDY 01NOV05	Tyco Electronics Corporation	
DIMENSIONS: MM		CHK J CATCHPOLE 02NOV05	Dorcan, Swindon, SN3 5HH	
TOLERANCES UNLESS OTHERWISE SPECIFIED:		APVD J CATCHPOLE 02NOV05	NAME BDS600, BDS500 & R9000 SERIES	
0 PLC ± 0.5		PRODUCT SPEC	SIZE A3	
1 PLC ± 0.2		APPLICATION SPEC	CAGE CODE 00779	DRAWING NO C=1623817
2 PLC ± 0.1		WEIGHT -	RESTRICTED TO -	
3 PLC ± -		CUSTOMER DRAWING	SCALE NTS	SHEET 2 OF 3
4 PLC ± -				REV A
ANGLES ± 5				
FINISH -				

4

3

2

1

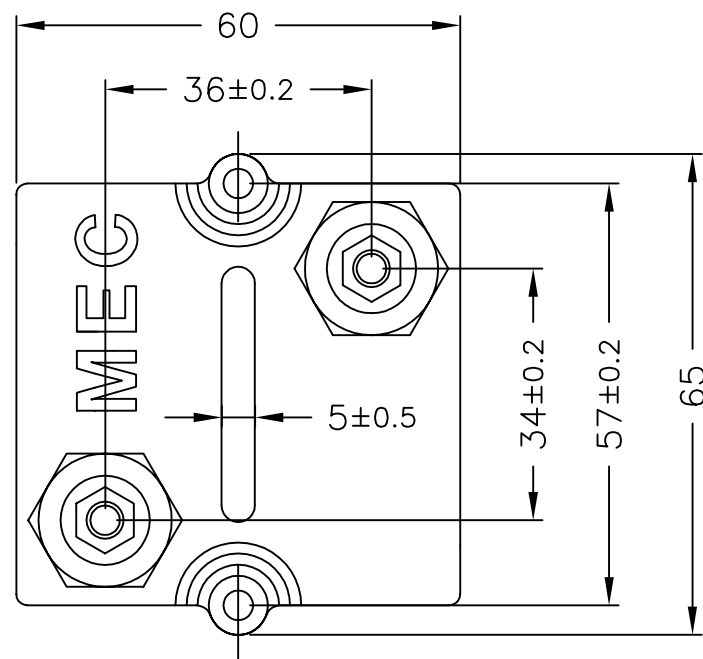
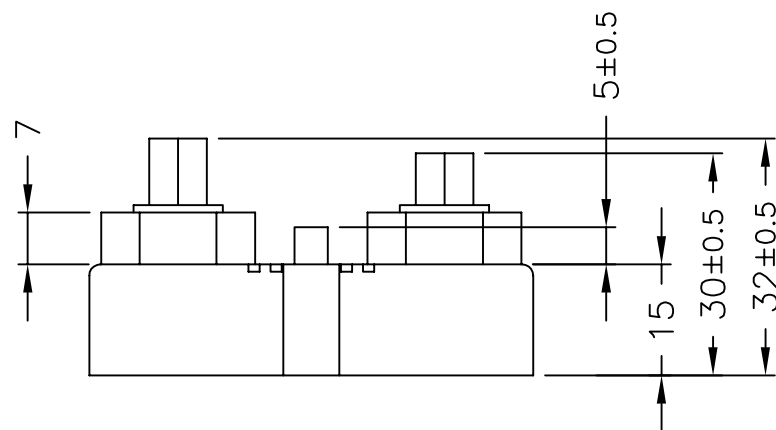
THIS DRAWING IS UNPUBLISHED.

RELEASED FOR PUBLICATION

NOV ,2005.

© COPYRIGHT 2005 BY TYCO ELECTRONICS CORPORATION. ALL RIGHTS RESERVED.

LOC	DIST	REVISIONS			
P	LTR	DESCRIPTION	DATE	DWN	APVD
E	B	A	FIRST REVISION	02NOV05	DK JC



BDS-500

CREEPING DISTANCE: 48.7mm MIN

CONTACTS M5, NORMAL
MAX TORQUE: 2Nm

MOUNTING SCREW: M4, NORMAL
MAX TORQUE: 1.8Nm

DIELECTRIC STRENGTH: 10kV
TEST TIME: 30sec

PARTIAL DISCHARGE:

10kV FOR 30sec, BACK TO
6kV FOR 30sec.,PARTIAL
DISCHARGE <10pC I

160W UNDER LOAD

MARKING:

BDS/500
R-VALUE/TOLERANCE
DATE OF MANUFACTURE year/week
LOT-CODE

FOR A SPECIFIC PN FOR A RESISTANCE VALUE AND TOLERANCE, PLEASE REFER TO DMF.

THIS DRAWING IS A CONTROLLED DOCUMENT.		DWN DAVE KENNEDY 01NOV05	Tyco Electronics Corporation Dorcan, Swindon, SN3 5HH												
DIMENSIONS: MM		CHK J CATCHPOLE 02NOV05	NAME BDS600, BDS500 & R9000 SERIES												
TOLERANCES UNLESS OTHERWISE SPECIFIED:		APVD J CATCHPOLE 02NOV05	PRODUCT SPEC												
<table border="0"> <tr><td>0 PLC</td><td>± 0.5</td></tr> <tr><td>1 PLC</td><td>± 0.2</td></tr> <tr><td>2 PLC</td><td>± 0.1</td></tr> <tr><td>3 PLC</td><td>± -</td></tr> <tr><td>4 PLC</td><td>± -</td></tr> <tr><td>ANGLES</td><td>± 5</td></tr> </table>		0 PLC	± 0.5	1 PLC	± 0.2	2 PLC	± 0.1	3 PLC	± -	4 PLC	± -	ANGLES	± 5	APPLICATION SPEC	
0 PLC	± 0.5														
1 PLC	± 0.2														
2 PLC	± 0.1														
3 PLC	± -														
4 PLC	± -														
ANGLES	± 5														
MATERIAL	FINISH	WEIGHT	SIZE A3	CAGE CODE 00779											
-	-	-	DRAWING NO C=1623817	RESTRICTED TO -											
CUSTOMER DRAWING			SCALE NTS	SHEET 3 OF 3											
			REV A												

Mouser Electronics

Authorized Distributor

Click to View Pricing, Inventory, Delivery & Lifecycle Information:

[TE Connectivity:](#)

[2-1623817-3](#)

Данный компонент на территории Российской Федерации

Вы можете приобрести в компании MosChip.

Для оперативного оформления запроса Вам необходимо перейти по данной ссылке:

<http://moschip.ru/get-element>

Вы можете разместить у нас заказ для любого Вашего проекта, будь то серийное производство или разработка единичного прибора.

В нашем ассортименте представлены ведущие мировые производители активных и пассивных электронных компонентов.

Нашей специализацией является поставка электронной компонентной базы двойного назначения, продукции таких производителей как XILINX, Intel (ex.ALTERA), Vicor, Microchip, Texas Instruments, Analog Devices, Mini-Circuits, Amphenol, Glenair.

Сотрудничество с глобальными дистрибьюторами электронных компонентов, предоставляет возможность заказывать и получать с международных складов практически любой перечень компонентов в оптимальные для Вас сроки.

На всех этапах разработки и производства наши партнеры могут получить квалифицированную поддержку опытных инженеров.

Система менеджмента качества компании отвечает требованиям в соответствии с ГОСТ Р ИСО 9001, ГОСТ РВ 0015-002 и ЭС РД 009

Офис по работе с юридическими лицами:

105318, г.Москва, ул.Щербаковская д.3, офис 1107, 1118, ДЦ «Щербаковский»

Телефон: +7 495 668-12-70 (многоканальный)

Факс: +7 495 668-12-70 (доб.304)

E-mail: info@moschip.ru

Skype отдела продаж:

moschip.ru

moschip.ru_4

moschip.ru_6

moschip.ru_9