



## 8th-Order, Lowpass, Butterworth, Switched-Capacitor Filter

MAX7480

### General Description

The MAX7480 8th-order, lowpass, Butterworth, switched-capacitor filter (SCF) operates from a single +5V supply. The device draws only 2.9mA of supply current and allows corner frequencies from 1Hz to 2kHz, making it ideal for low-power post-DAC filtering and anti-aliasing applications. The MAX7480 features a shutdown mode, which reduces the supply current to 0.2μA.

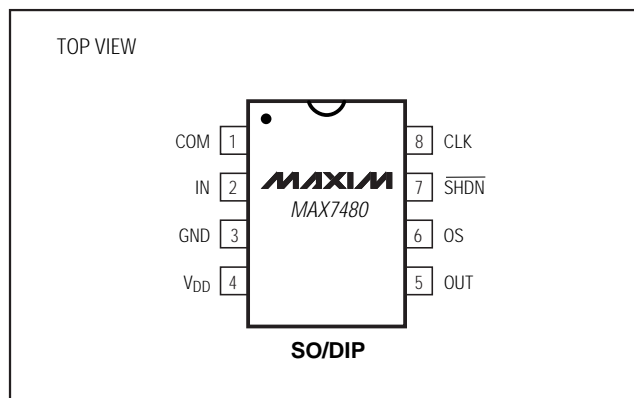
Two clocking options are available: self-clocking (through the use of an external capacitor) or external clocking for tighter corner-frequency control. An offset adjust pin allows for adjustment of the DC output level.

The MAX7480 Butterworth filter provides a maximally flat passband response. The fixed response simplifies the design task to selecting a clock frequency.

### Applications

ADC Anti-Aliasing  
Post-DAC Filtering

### Pin Configuration



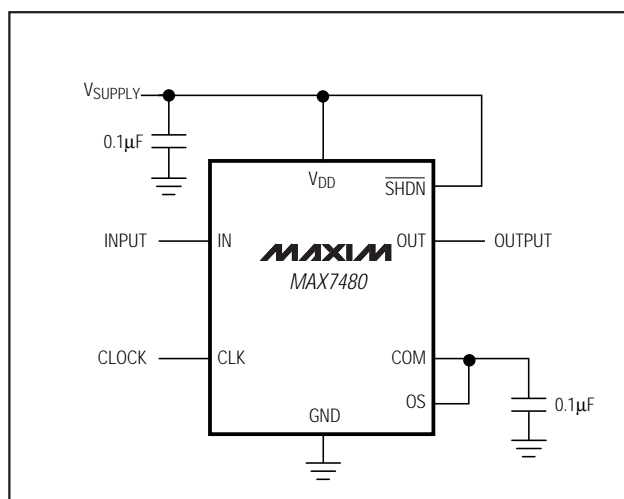
### Features

- ♦ **8th-Order, Lowpass Butterworth Filter**
- ♦ **Low Noise and Distortion: -73dB THD + Noise**
- ♦ **Clock-Tunable Corner Frequency (1Hz to 2kHz)**
- ♦ **100:1 Clock-to-Corner Ratio**
- ♦ **+5V Single-Supply Operation**
- ♦ **Low Power**
  - 2.9mA (Operating Mode)**
  - 0.2μA (Shutdown Mode)**
- ♦ **Available in 8-Pin SO/DIP Package**
- ♦ **Low Output Offset: ±5mV**

### Ordering Information

| PART       | TEMP. RANGE    | PIN-PACKAGE   |
|------------|----------------|---------------|
| MAX7480ESA | -40°C to +85°C | 8 SO          |
| MAX7480EPA | -40°C to +85°C | 8 Plastic DIP |

### Typical Operating Circuit



# 8th-Order, Lowpass, Butterworth, Switched-Capacitor Filter

## ABSOLUTE MAXIMUM RATINGS

|   |                                   |
|---|-----------------------------------|
| V <sub>DD</sub> to GND                                | -0.3V to +6V                      |
| IN, OUT, COM, OS, CLK                                 | -0.3V to (V <sub>DD</sub> + 0.3V) |
| SHDN  | -0.3V to +6V                      |
| OUT Short-Circuit Duration                            | 1sec                              |
| Continuous Power Dissipation (T <sub>A</sub> = +70°C) |                                   |
| 8-Pin SO (derate 5.88mW/°C above +70°C)               | 471mW                             |
| 8-Pin DIP (derate 9.09mW/°C above +70°C)              | 727mW                             |

|                                     |                 |
|-------------------------------------|-----------------|
| Operating Temperature Range         | -40°C to +85°C  |
| Storage Temperature Range           | -65°C to +150°C |
| Lead Temperature (soldering, 10sec) | +300°C          |

Stresses beyond those listed under "Absolute Maximum Ratings" may cause permanent damage to the device. These are stress ratings only, and functional operation of the device at these or any other conditions beyond those indicated in the operational sections of the specifications is not implied. Exposure to absolute maximum rating conditions for extended periods may affect device reliability.

## ELECTRICAL CHARACTERISTICS

(V<sub>DD</sub> = +5V, filter output measured at OUT, 10kΩ || 50pF load to GND at OUT, OS = COM, 0.1μF from COM to GND,  $\overline{\text{SHDN}}$  = V<sub>DD</sub>, f<sub>CLK</sub> = 100kHz, T<sub>A</sub> = T<sub>MIN</sub> to T<sub>MAX</sub>, unless otherwise noted. Typical values are at T<sub>A</sub> = +25°C.)

| PARAMETER                                    | SYMBOL                            | CONDITIONS  | MIN                       | TYP                    | MAX                       | UNITS  |
|--|-----------------------------------|---|---------------------------|------------------------|---------------------------|--------|
| <b>FILTER CHARACTERISTICS</b>                |                                   |   |                           |                        |                           |        |
| Corner Frequency                             | f <sub>C</sub>                    | (Note 1)  |                           | 0.001 to 2             |                           | kHz    |
| Clock-to-Corner Ratio                        | f <sub>CLK</sub> / f <sub>C</sub> |   |                           | 100:1                  |                           |        |
| Clock-to-Corner Tempco                       |                                   |   |                           | 10                     |                           | ppm/°C |
| Output Voltage Range                         |                                   |   | 0.25                      | V <sub>DD</sub> - 0.25 |                           | V      |
| Output Offset Voltage                        | V <sub>OFFSET</sub>               | V <sub>IN</sub> = V <sub>COM</sub> = V <sub>DD</sub> / 2                        |                           | ±5                     | ±25                       | mV     |
| DC Insertion Gain with Output Offset Removed |                                   | V <sub>COM</sub> = V <sub>DD</sub> / 2 (Note 2)                                 | -0.1                      | 0.15                   | 0.3                       | dB     |
| Total Harmonic Distortion plus Noise         | THD+N                             | f <sub>IN</sub> = 200Hz, V <sub>IN</sub> = 4Vp-p, measurement bandwidth = 22kHz |                           | -73                    |                           | dB     |
| OS Voltage Gain to OUT                       | A <sub>OS</sub>                   |   |                           | 1                      |                           | V/V    |
| Input Voltage Range at OS                    | V <sub>OS</sub>                   |   |                           | V <sub>COM</sub> ±0.1  |                           | V      |
| COM Voltage Range                            | V <sub>COM</sub>                  | Input, COM externally driven  | V <sub>DD</sub> / 2 - 0.5 | V <sub>DD</sub> / 2    | V <sub>DD</sub> / 2 + 0.5 | V      |
|  |                                   | Output, COM internally biased   | V <sub>DD</sub> / 2 - 0.2 | V <sub>DD</sub> / 2    | V <sub>DD</sub> / 2 + 0.2 |        |
| Input Resistance at COM                      | R <sub>COM</sub>                  |   | 75                        | 125                    |                           | kΩ     |
| Clock Feedthrough                            |                                   |   |                           | 10                     |                           | mVp-p  |
| Resistive Output Load Drive                  | R <sub>L</sub>                    |   | 10                        | 1                      |                           | kΩ     |
| Maximum Capacitive Load at OUT               | C <sub>L</sub>                    |   | 50                        | 500                    |                           | pF     |
| Input Leakage Current at COM                 |                                   | $\overline{\text{SHDN}}$ = GND, V <sub>COM</sub> = 0 to V <sub>DD</sub>         |                           | ±0.1                   | ±10                       | μA     |
| Input Leakage Current at OS                  |                                   | V <sub>OS</sub> = 0 to (V <sub>DD</sub> - 1V) (Note 3)                          |                           | ±0.1                   | ±10                       | μA     |
| <b>CLOCK</b>                                 |                                   |   |                           |                        |                           |        |
| Internal Oscillator Frequency                | f <sub>OSC</sub>                  | C <sub>OSC</sub> = 1000pF (Note 4)  | 40                        | 53                     | 67                        | kHz    |
| Clock Input Current                          | I <sub>CLK</sub>                  | V <sub>CLK</sub> = 0 or 5V  |                           | ±24                    | ±40                       | μA     |
| Clock Input High                             | V <sub>IH</sub>                   |   | V <sub>DD</sub> - 0.5     |                        |                           | V      |
| Clock Input Low                              | V <sub>IL</sub>                   |   |                           |                        | 0.5                       | V      |

# 8th-Order, Lowpass, Butterworth, Switched-Capacitor Filter

MAX7480

## ELECTRICAL CHARACTERISTICS (continued)

( $V_{DD} = +5V$ , filter output measured at OUT,  $10k\Omega \parallel 50pF$  load to GND at OUT, OS = COM,  $0.1\mu F$  from COM to GND,  $\overline{SHDN} = V_{DD}$ ,  $f_{CLK} = 100kHz$ ,  $T_A = T_{MIN}$  to  $T_{MAX}$ , unless otherwise noted. Typical values are at  $T_A = +25^\circ C$ .)

| PARAMETER                               | SYMBOL                | CONDITIONS  | MIN            | TYP       | MAX      | UNITS   |
|---|-----------------------|---|----------------|-----------|----------|---------|
| <b>POWER REQUIREMENTS</b>               |                       |   |                |           |          |         |
| Supply Voltage                          | $V_{DD}$              |   | 4.5            |           | 5.5      | V       |
| Supply Current                          | $I_{DD}$              | Operating mode, no load, IN = OS = COM                  |                | 2.9       | 3.5      | mA      |
| Shutdown Current                        | $I_{\overline{SHDN}}$ | $\overline{SHDN} = GND$ , CLK driven from 0 to $V_{DD}$ |                | 0.2       | 1        | $\mu A$ |
| Power-Supply Rejection Ratio            | PSRR                  | Measured at DC  |                | 60        |          | dB      |
| <b>SHUTDOWN</b>                         |                       |   |                |           |          |         |
| $\overline{SHDN}$ Input High            | $V_{SDH}$             |   | $V_{DD} - 0.5$ |           |          | V       |
| $\overline{SHDN}$ Input Low             | $V_{SDL}$             |   |                |           | 0.5      | V       |
| $\overline{SHDN}$ Input Leakage Current |                       | $V_{\overline{SHDN}} = 0$ to $V_{DD}$                   |                | $\pm 0.1$ | $\pm 10$ | $\mu A$ |

## FILTER CHARACTERISTICS

( $V_{DD} = +5V$ , filter output measured at OUT,  $10k\Omega \parallel 50pF$  load to GND at OUT,  $\overline{SHDN} = V_{DD}$ ,  $V_{COM} = V_{OS} = V_{DD}/2$ ,  $f_{CLK} = 100kHz$ ,  $T_A = T_{MIN}$  to  $T_{MAX}$ , unless otherwise noted. Typical values are at  $T_A = +25^\circ C$ .)

| PARAMETER                          | CONDITIONS        | MIN  | TYP  | MAX  | UNITS |
|------------------------------------|-------------------|------|------|------|-------|
| Insertion Gain Relative to DC Gain | $f_{IN} = 0.5f_C$ | -0.1 | 0.0  |      | dB    |
|                                    | $f_{IN} = f_C$    | -3.5 | -3.0 | -2.5 |       |
|                                    | $f_{IN} = 2f_C$   |      | -48  | -43  |       |
|                                    | $f_{IN} = 3f_C$   |      | -76  | -70  |       |

**Note 1:** The maximum  $f_C$  is defined as the clock frequency  $f_{CLK} = 100 \cdot f_C$  at which the peak SINAD drops to 68dB with a sinusoidal input at  $0.2f_C$ .

**Note 2:** DC insertion gain is defined as  $\Delta V_{OUT} / \Delta V_{IN}$ .

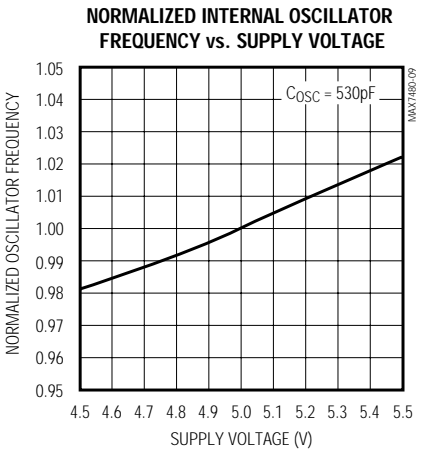
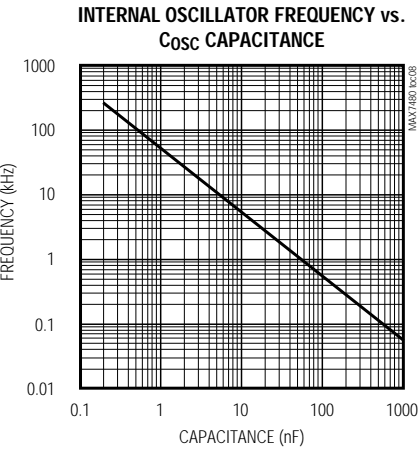
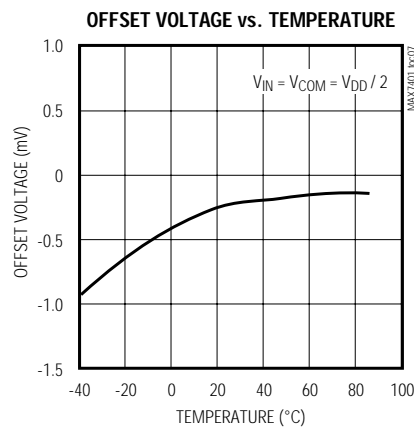
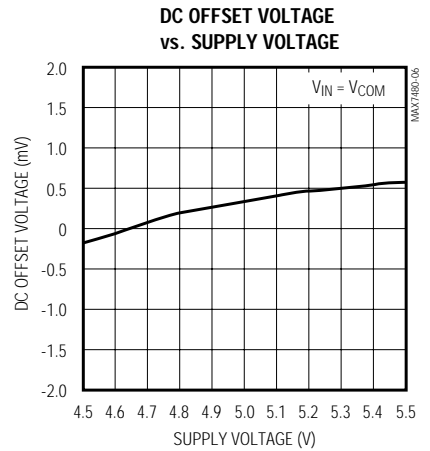
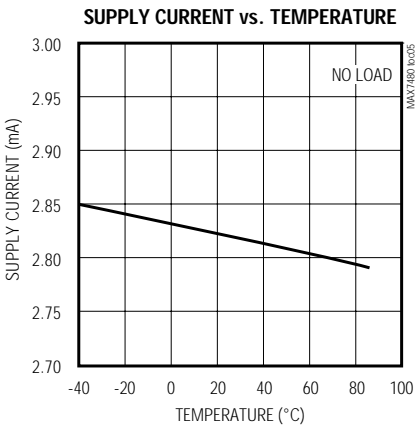
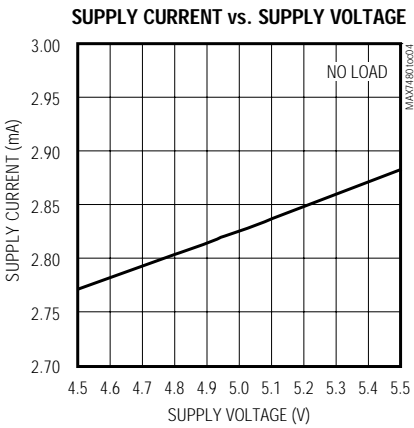
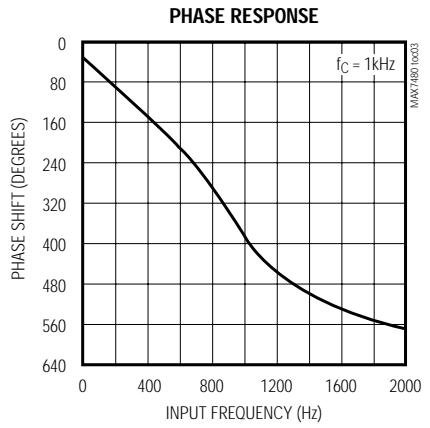
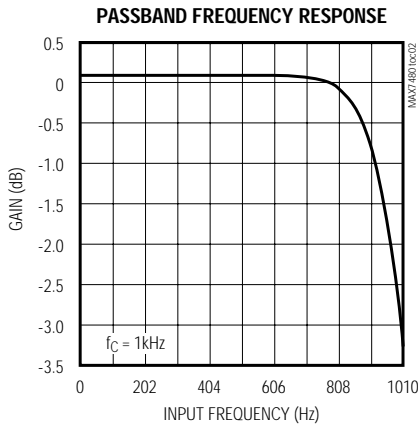
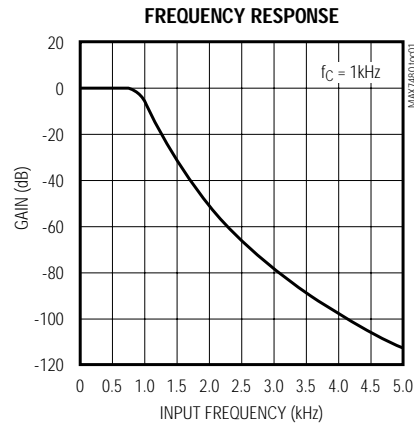
**Note 3:** OS voltages above  $V_{DD} - 1V$  saturate the input and result in a  $75\mu A$  typical input leakage current.

**Note 4:**  $f_{OSC} (kHz) \approx 53 \cdot 10^3 / C_{OSC} (pF)$ .

# 8th-Order, Lowpass, Butterworth, Switched-Capacitor Filter

## Typical Operating Characteristics

( $V_{DD} = +5V$ ,  $f_{CLK} = 100kHz$ ,  $\overline{SHDN} = V_{DD}$ ,  $V_{COM} = V_{OS} = V_{DD} / 2$ ,  $T_A = +25^\circ C$ , unless otherwise noted.)

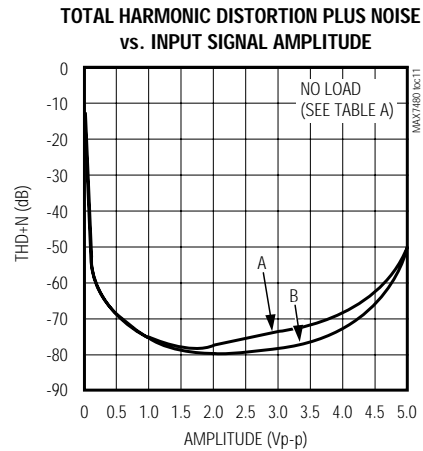
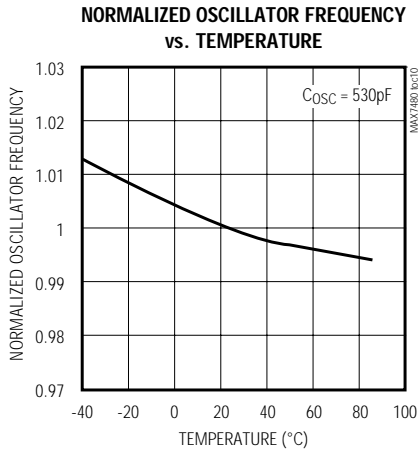


# 8th-Order, Lowpass, Butterworth, Switched-Capacitor Filter

MAX7480

## Typical Operating Characteristics (continued)

( $V_{DD} = +5V$ ,  $f_{CLK} = 100kHz$ ,  $\overline{SHDN} = V_{DD}$ ,  $V_{COM} = V_{OS} = V_{DD} / 2$ ,  $T_A = +25^\circ C$ , unless otherwise noted.)



**Table A. THD+N vs. Input Signal Amplitude Test Conditions**

| TRACE | $f_{IN}$ (Hz) | $f_C$ (kHz) | $f_{CLK}$ (kHz) | MEASUREMENT BANDWIDTH (kHz) |
|-------|---------------|-------------|-----------------|-----------------------------|
| A     | 400           | 2           | 200             | 22                          |
| B     | 200           | 1           | 100             | 22                          |

# 8th-Order, Lowpass, Butterworth, Switched-Capacitor Filter

## Pin Description

| PIN | NAME                     | FUNCTION   |
|-----|--------------------------|--|
| 1   | COM                      | Common Input Pin. Biased internally at mid-supply. Bypass externally to GND with a 0.1 $\mu$ F capacitor. To override internal biasing, drive with an external supply.                                 |
| 2   | IN                       | Filter Input   |
| 3   | GND                      | Ground   |
| 4   | V <sub>DD</sub>          | +5V Supply Input   |
| 5   | OUT                      | Filter Output  |
| 6   | OS                       | Offset Adjust Input. To adjust output offset, bias OS externally. Connect OS to COM if no offset adjustment is needed. Refer to <i>Offset and Common-Mode Input Adjustment</i> section.                |
| 7   | $\overline{\text{SHDN}}$ | Shutdown Input. Drive low to enable shutdown mode; drive high or connect to V <sub>DD</sub> for normal operation.  |
| 8   | CLK                      | Clock Input. To override the internal oscillator, connect to an external clock; otherwise, connect an external capacitor (C <sub>OSC</sub> ) from CLK to GND to set the internal oscillator frequency. |

## Detailed Description

The MAX7480 Butterworth filter operates with a 100:1 clock-to-corner frequency ratio and a 2kHz maximum corner frequency.

Lowpass Butterworth filters provide a maximally flat passband response, making them ideal for instrumentation applications that require minimum deviation from the DC gain throughout the passband.

Figure 1 shows the difference between Bessel and Butterworth filter frequency responses. With the filter cutoff frequencies set at 1kHz, trace A shows the Bessel filter response and trace B shows the Butterworth filter response.

### Background Information

Most switched-capacitor filters (SCFs) are designed with biquadratic sections. Each section implements two filtering poles, and the sections are cascaded to produce higher-order filters. The advantage to this approach is ease of design. However, this type of design is highly sensitive to component variations if any section's Q is high. An alternative approach is to emulate a passive network using switched-capacitor integrators with summing and scaling. Figure 2 shows a basic 8th-order ladder filter structure.

A switched-capacitor filter such as the MAX7480 emulates a passive ladder filter. The filter's component sensitivity is low when compared to a cascaded biquad design, because each component affects the entire filter shape, not just one pole-zero pair. In other words, a mismatched component in a biquad design will have a concentrated error on its respective poles, while the same mismatch in a ladder filter design results in an error distributed over all poles.

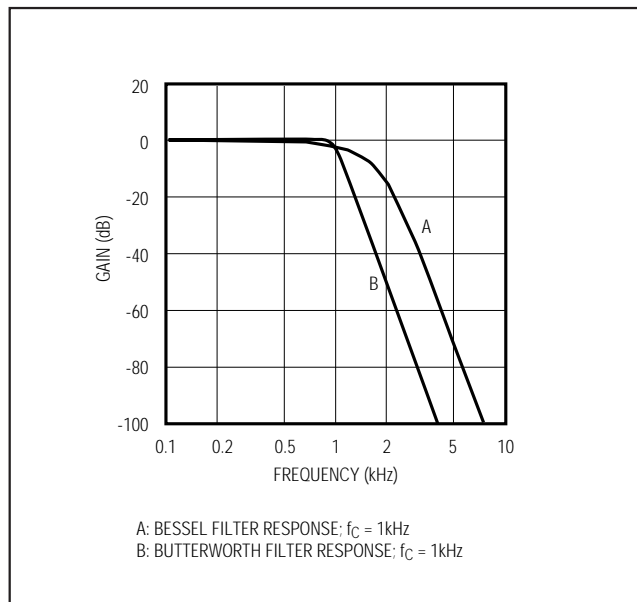


Figure 1. Bessel vs. Butterworth Filter Frequency Response

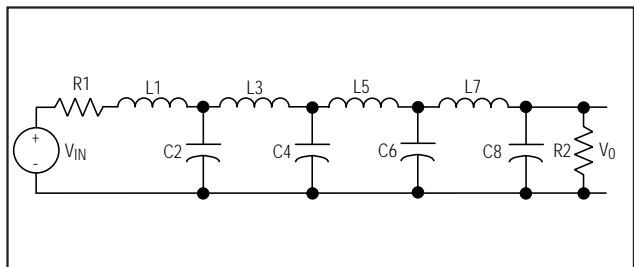


Figure 2. 8th-Order Ladder Filter Network

# 8th-Order, Lowpass, Butterworth, Switched-Capacitor Filter

## Clock Signal

### External Clock

The MAX7480 SCF is designed for use with external clocks that have a 40% to 60% duty cycle. When using an external clock with these devices, drive CLK with a CMOS gate powered from 0 to  $V_{DD}$ . Varying the rate of the external clock adjusts the corner frequency of the filter as follows:

$$f_C = f_{CLK} / 100$$

### Internal Clock

When using the internal oscillator, connect a capacitor ( $C_{OSC}$ ) between CLK and ground. The value of the capacitor determines the oscillator frequency as follows:

$$f_{OSC}(\text{kHz}) = \frac{53 \cdot 10^3}{C_{OSC}}; C_{OSC} \text{ in pF}$$

Minimize the stray capacitance at CLK so that it does not affect the internal oscillator frequency. Vary the rate of the internal oscillator to adjust the filter's corner frequency by a 100:1 clock to corner-frequency ratio. For example, an internal oscillator frequency of 100kHz produces a nominal corner frequency of 1kHz.

### Input Impedance vs. Clock Frequencies

The MAX7480's input impedance is effectively that of a switched-capacitor resistor, and is inversely proportional to frequency. The input impedance values determined below represent the average input impedance, since the input current is not continuous. As a rule, use a driver with an output impedance less than 10% of the filter's input impedance. Estimate the input impedance of the filter using the following formula:

$$Z_{IN} = \frac{1}{(f_{CLK} \cdot C_{IN})}$$

where  $f_{CLK}$  = clock frequency and  $C_{IN} = 2.31\text{pF}$ .

### Low-Power Shutdown Mode

This device features a shutdown mode that is activated by driving SHDN low. In shutdown mode, the filter's supply current reduces to  $0.2\mu\text{A}$  (typ) and its output becomes high impedance. For normal operation, drive SHDN high or connect to  $V_{DD}$ .

## Applications Information

### Offset and Common-Mode Input Adjustment

The voltage at COM sets the common-mode input voltage and is biased at mid-supply with an internal resistor-divider. Bypass COM with a  $0.1\mu\text{F}$  capacitor and

connect OS to COM. For applications requiring offset adjustment or DC level shifting, apply an external bias voltage through a resistor-divider network to OS, as shown in Figure 3. (Note: Do not leave OS unconnected.) The output voltage is represented by this equation:

$$V_{OUT} = (V_{IN} - V_{COM}) + V_{OS}$$

with  $V_{COM} = V_{DD} / 2$  (typical), where  $(V_{IN} - V_{COM})$  is lowpass-filtered by the SCF and  $V_{OS}$  is added at the output stage. See the *Electrical Characteristics* for the voltage range of COM and OS. Changing the voltage on COM or OS significantly from mid-supply reduces the filter's dynamic range.

### Power Supplies

The MAX7480 operates from a single +5V supply. Bypass  $V_{DD}$  to GND with a  $0.1\mu\text{F}$  capacitor. If dual supplies ( $\pm 2.5\text{V}$ ) are required, connect COM to system ground and connect GND to the negative supply. Figure 4 shows an example of dual-supply operation. Single- and dual-supply performances are equivalent. For either single- or dual-supply operation, drive CLK and SHDN from GND ( $V^-$  in dual-supply operation) to  $V_{DD}$ . For  $\pm 5\text{V}$  dual-supply applications, use the MAX291–MAX297.

### Input Signal Amplitude Range

The optimal input signal range is determined by observing the voltage level at which the total harmonic distortion plus noise (THD+N) is minimized for a given corner frequency. The *Typical Operating Characteristics* shows a graph of the device's THD+N response as the input signal's peak-to-peak amplitude is varied. This measurement is made with OS and COM biased at mid-supply.

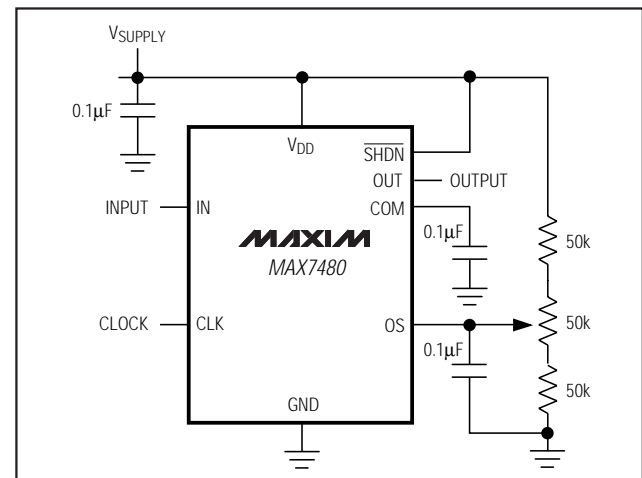


Figure 3. Offset Adjustment Circuit

# 8th-Order, Lowpass, Butterworth, Switched-Capacitor Filter

### Anti-Aliasing and Post-DAC Filtering

When using the MAX7480 for anti-aliasing or post-DAC filtering, synchronize the DAC and the filter clocks. If the clocks are not synchronized, beat frequencies may alias into the passband.

The high clock-to-corner frequency ratio (100:1) also eases the requirements of pre- and post-SCF filtering. At the input, a lowpass filter prevents the aliasing of frequencies around the clock frequency into the passband. At the output, a lowpass filter attenuates the clock feedthrough.

A high clock to corner-frequency ratio allows a simple RC lowpass filter, with the cutoff frequency set above the SCF corner frequency to provide input anti-aliasing and reasonable output clock attenuation.

### Harmonic Distortion

Harmonic distortion arises from nonlinearities within the filter. These nonlinearities generate harmonics when a pure sine wave is applied to the filter input. Table 1 lists the MAX7480's typical harmonic-distortion values with a 10kΩ load at T<sub>A</sub> = +25°C.

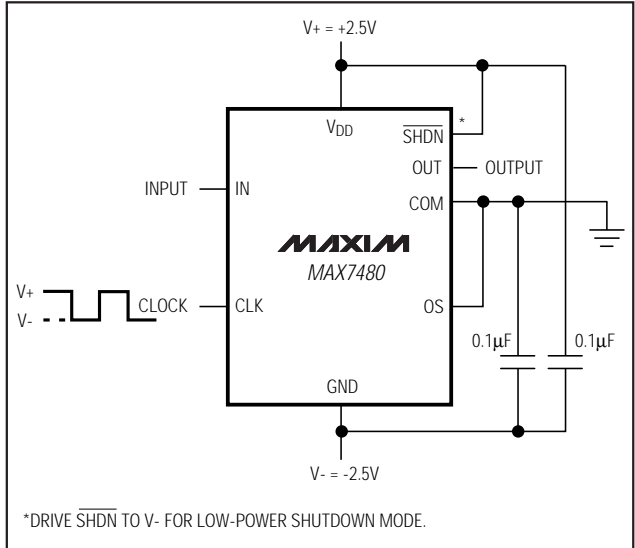


Figure 4. Dual-Supply Operation

Table 1. Typical Harmonic Distortion

| FILTER  | f <sub>CLK</sub> (kHz) | f <sub>c</sub> (kHz) | f <sub>IN</sub> (Hz) | V <sub>IN</sub> (Vp-p) | TYPICAL HARMONIC DISTORTION (dB) |     |     |     |
|---------|------------------------|----------------------|----------------------|------------------------|----------------------------------|-----|-----|-----|
|         |                        |                      |                      |                        | 2nd                              | 3rd | 4th | 5th |
| MAX7480 | 100                    | 1                    | 200                  | 4                      | -89                              | -73 | -91 | -93 |
|         | 200                    | 2                    | 400                  |                        | -82                              | -68 | -85 | -89 |

## Chip Information

TRANSISTOR COUNT: 1116

Maxim cannot assume responsibility for use of any circuitry other than circuitry entirely embodied in a Maxim product. No circuit patent licenses are implied. Maxim reserves the right to change the circuitry and specifications without notice at any time.

8 Maxim Integrated Products, 120 San Gabriel Drive, Sunnyvale, CA 94086 408-737-7600



## Данный компонент на территории Российской Федерации

### Вы можете приобрести в компании MosChip.

Для оперативного оформления запроса Вам необходимо перейти по данной ссылке:

<http://moschip.ru/get-element>

Вы можете разместить у нас заказ для любого Вашего проекта, будь то серийное производство или разработка единичного прибора.

В нашем ассортименте представлены ведущие мировые производители активных и пассивных электронных компонентов.

Нашей специализацией является поставка электронной компонентной базы двойного назначения, продукции таких производителей как XILINX, Intel (ex.ALTERA), Vicor, Microchip, Texas Instruments, Analog Devices, Mini-Circuits, Amphenol, Glenair.

Сотрудничество с глобальными дистрибьюторами электронных компонентов, предоставляет возможность заказывать и получать с международных складов практически любой перечень компонентов в оптимальные для Вас сроки.

На всех этапах разработки и производства наши партнеры могут получить квалифицированную поддержку опытных инженеров.

Система менеджмента качества компании отвечает требованиям в соответствии с ГОСТ Р ИСО 9001, ГОСТ РВ 0015-002 и ЭС РД 009

### Офис по работе с юридическими лицами:

105318, г.Москва, ул.Щербаковская д.3, офис 1107, 1118, ДЦ «Щербаковский»

Телефон: +7 495 668-12-70 (многоканальный)

Факс: +7 495 668-12-70 (доб.304)

E-mail: [info@moschip.ru](mailto:info@moschip.ru)

Skype отдела продаж:

moschip.ru

moschip.ru\_4

moschip.ru\_6

moschip.ru\_9