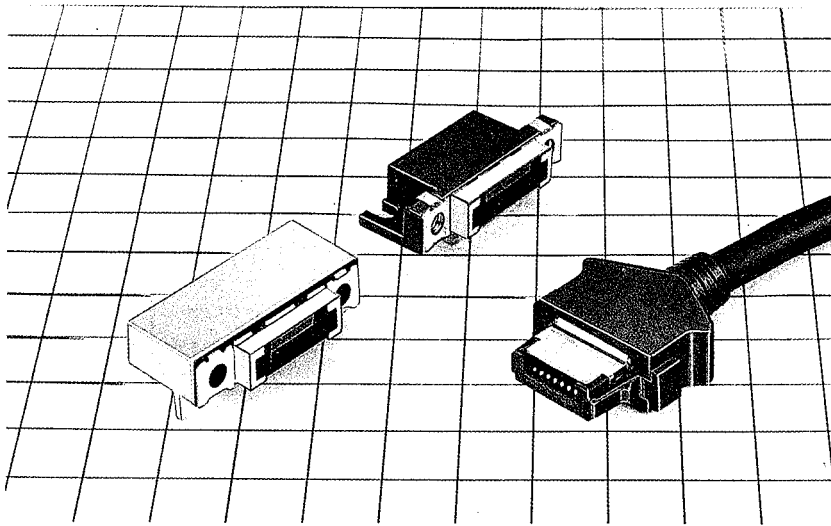


3100 SERIES LOW PROFILE CONNECTOR FOR PREVENTING EMI

General

The 3100 series low profile I/O connectors for preventing EMI are perfect for today's compact electronic equipment.

Available in 6, 8, 12, 14 and 16 pins.



Features

- (1) The metal shell guide structure for the receptacle connector reduces drastically the height for the substrate to 7mm.
- (2) The metal shell with a molded cover case is designed to shield it from electrostatic discharge (ESD).
- (3) The cantilever profile of the female contact ensures effortless coupling and long service life.
- (4) The effective engagement length is of sequence structure and sufficient to allow the shielded part to engage first when connecting.
- (5) The cable can be terminated efficiently just by crimping with a jig after passing the cable through the guide plate hole.
- (6) Cables AWG 26 to AGW 30 are applicable by partially changing the guide plate since the male connector adopts a U-slit type connection.
- (7) The side latching method of the molded cover assures easy locking of the plug connector.

Application

Office Automation, Communications, Home Automation and Other equipment.

Specification

| Specification | |
|-----------------------|---------------------------|
| Current capacity | 0.5A |
| Rated Voltage | AC 125V |
| Insulation Resistance | Min. 250MΩ at DC 100V |
| Contact Resistance | Max. 35mΩ at DC 1mA |
| Withstanding Voltage | AC 300Vr.m.s for 1 minute |

| Relation between guide plate and applicable coating O.D. | | | |
|--|----------------|----------------|----------------|
| Hole dia (mm) of Wire Configuration Guide Plate | φ 0.65 | φ 0.85 | φ 1 |
| Applicable Cable Cut dia (mm) | φ 0.57~ φ 0.63 | φ 0.75~ φ 0.83 | φ 0.88~ φ 0.98 |

Material & Finish

| Material Finish | | | |
|-----------------|-------------|---------------------|--|
| Receptacle | Insulation | PBT resin | Black UL94V-0 |
| | Contact | Brass | Selective gold plating |
| | Shell | Brass | Solder plating |
| Plug | Insulation | Polycarbonate Resin | White for AWG #28 Black for AWG #30 |
| | Contact | Brass | Selective gold plating |
| | Guide Plate | Polycarbonate resin | Transparent |
| | Shell | Brass | Solder plating |
| | Cover | Polycarbonate resin | |

Ordering Information

● Receptacle

3 1 1 0 — 6 S A
| | | | | |
(1) (2) (3)(4)(5)

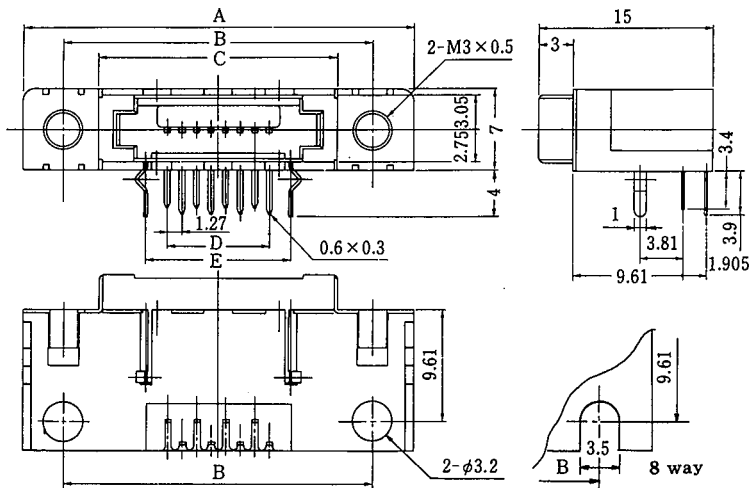
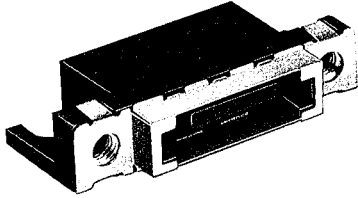
- (1) Series Number: 31
- (2) Type
10: Right Angle Dip
- (3) No. of Pins: 6, 8, 12, 14, 16
- (4) Type of opening
S: Receptacle
- (5) Additional Function
Blank: Standard
A: All Shield Type

● Plug

3 1 3 0 A — 6 P A — C
| | | | | | |
(1) (2) (3) (4)(5)(6) (7)

- (1) Series Number: 31
- (2) Type
30: AWG28, 26 IDC
31: AWG30, IDC
- (3) Hole dia. of Wire Configuration Tube Plate
Black: $\phi 1.0$ ($\phi 0.88 \sim \phi 0.98$)
A: $\phi 0.85$ ($\phi 0.75 \sim \phi 0.83$)
B: $\phi 0.65$ ($\phi 0.57 \sim \phi 0.63$)
- (4) No. of Pins: 6, 8, 12, 14, 16
- (5) Type of opening
P: Plug
- (6) Cover Type
Blank: Straight Cable Exit
A: Side Cable Exit
- (7) Cover
C: Standard

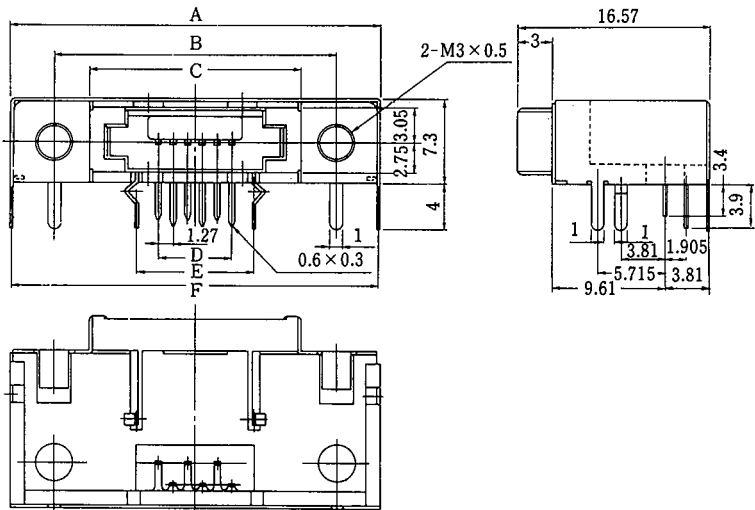
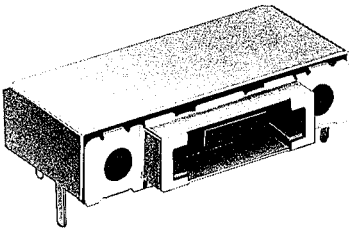
Receptacle (Standard)



Unit:mm

| HRS No. | No. of Pin | Part No. | A | B | C | D | E |
|--------------|------------|----------|-------|-------|-------|-------|-------|
| CL231-3006-8 | 6 | 3110-6S | 30.96 | 23.96 | 17.91 | 6.35 | 9.96 |
| CL231-3001-4 | 8 | 3110-8S | 33.5 | 26.5 | 20.45 | 8.89 | 12.5 |
| CL231-3008-3 | 12 | 3110-12S | 38.58 | 31.58 | 25.53 | 13.97 | 17.58 |
| CL231-0018-0 | 16 | 3110-16S | 43.66 | 36.66 | 30.61 | 19.05 | 22.66 |

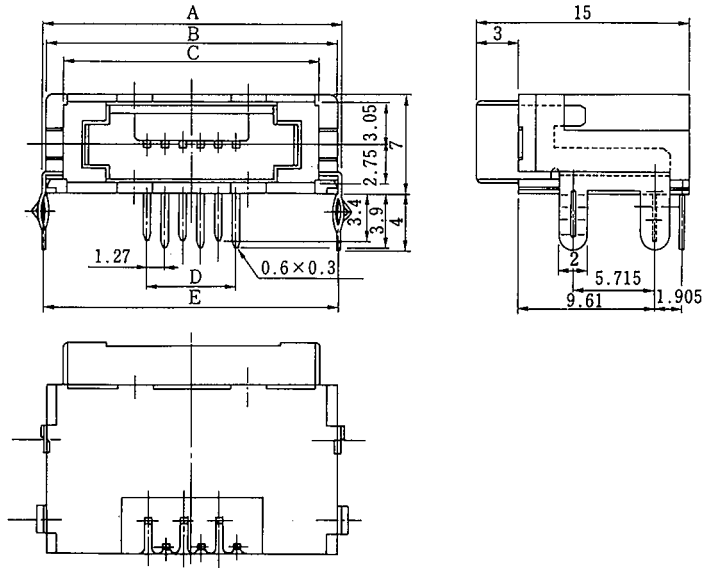
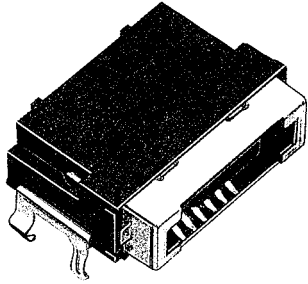
Receptacle (All Shielded Type)



Unit:mm

| HRS No. | No. of Pin | Part No. | A | B | C | D | E | F |
|--------------|------------|-----------|-------|-------|-------|-------|-------|-------|
| CL231-3003-0 | 6 | 3110-6SA | 31.56 | 23.96 | 17.91 | 6.35 | 9.96 | 31.26 |
| CL231-0020-2 | 16 | 3110-16SA | 44.26 | 36.66 | 30.61 | 19.06 | 22.66 | 43.96 |

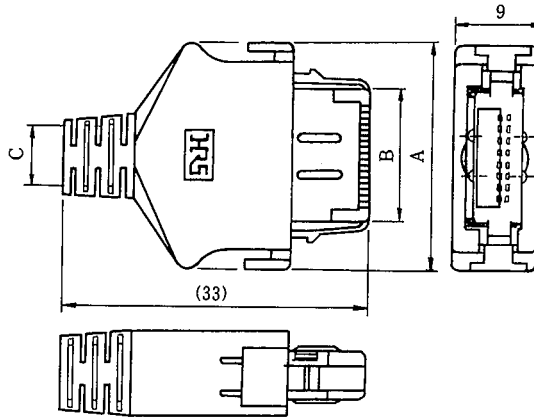
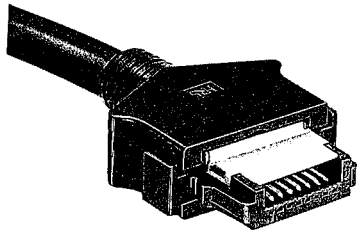
Receptacle (Without Mounting Hole Type)



Unit (mm)

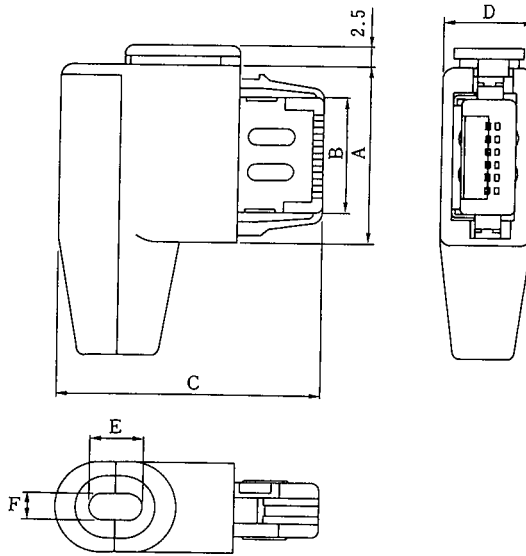
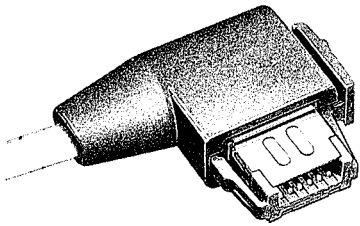
| HRS No. | No. of pin | Parts No. | A | B | C | D | E |
|--------------|------------|-----------|-------|-------|-------|-------|-------|
| CL231-3017-4 | 6 | 3110-6SB | 20.86 | 20.26 | 17.91 | 6.35 | 20.56 |
| CL231-0021-5 | 14 | 3110-14SB | 31.02 | 30.42 | 28.07 | 16.51 | 30.72 |

Plug (Straight Cable Exit Type)



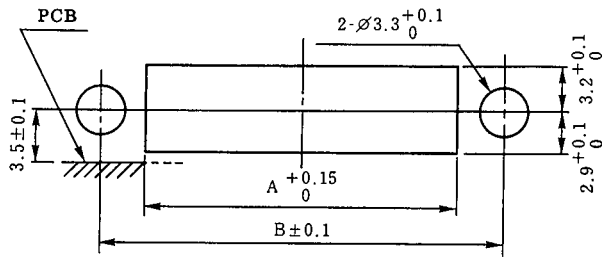
| Unit:mm | | | | | |
|--------------|------------|------------|-------|-------|-------|
| HRS No. | No. of Pin | Part No. | A | B | C |
| CL231-3014-6 | 6 | 3130-6P-C | 21.46 | 11.36 | φ 5.8 |
| CL231-3002-7 | 8 | 3130-8P-C | 24 | 13.9 | φ 6.2 |
| CL231-3009-6 | 12 | 3130-12P-C | 29.08 | 18.98 | φ 6.7 |
| CL231-0022-8 | 14 | 3130-14P-C | 31.62 | 21.52 | φ 7.0 |

Plug (Side Cable Exit Type)



| Unit:mm | | | | | | | | |
|--------------|------------|-------------|-------|-------|-------|------|-------|-----|
| HRS No. | No. of Pin | Part No. | A | B | C | D | E | F |
| CL231-3004-2 | 6 | 3130-6PA | 17.46 | 11.36 | 26.15 | 9.0 | 5.2 | 2.8 |
| CL231-0023-0 | 16 | 3130-16PA-C | 30.16 | 24.06 | 26.75 | 10.2 | φ 7.2 | |

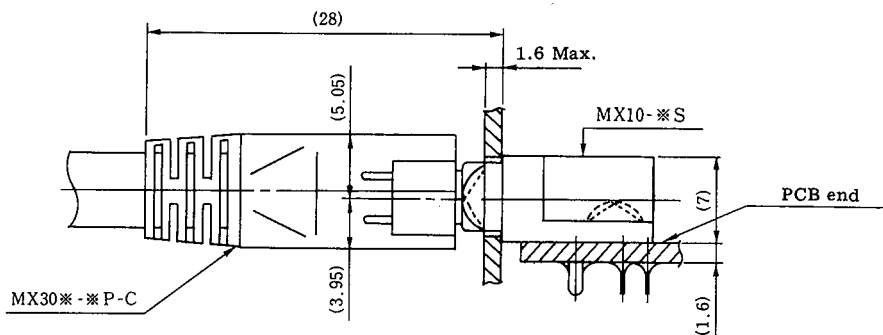
Panel Cutout (Thickness of Panel:Max.1.6mm)



Unit: mm

| HRS No. | No. of Pin | Part No. | A | B |
|--------------|------------|-----------|-------|-------|
| CL231-3006-8 | 6 | 3110- 6S | 18.06 | 23.96 |
| CL231-3001-4 | 8 | 3110- 8S | 20.6 | 26.5 |
| CL231-3008-3 | 12 | 3110-12S | 25.68 | 31.58 |
| CL231-0018-0 | 16 | 3110-16S | 30.76 | 36.66 |
| CL231-0021-5 | 14 | 3110-14SB | 28.22 | — |

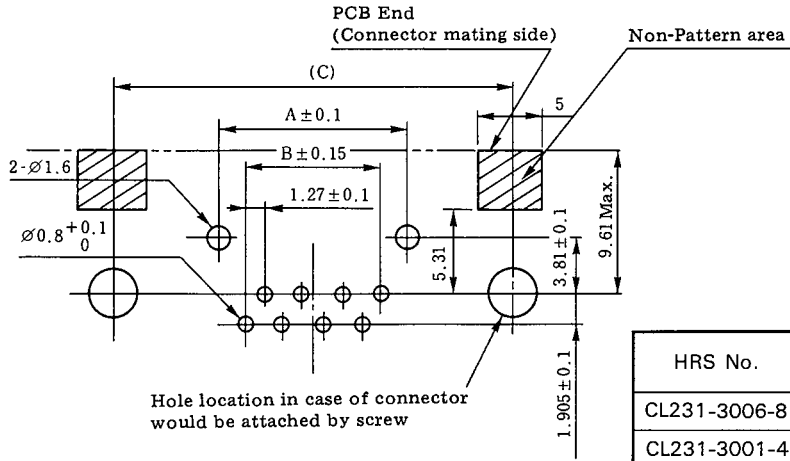
Coupling Status



Note: Screw for Panel: M3 x 0.5 length 6 mm.

Backboard Pattern

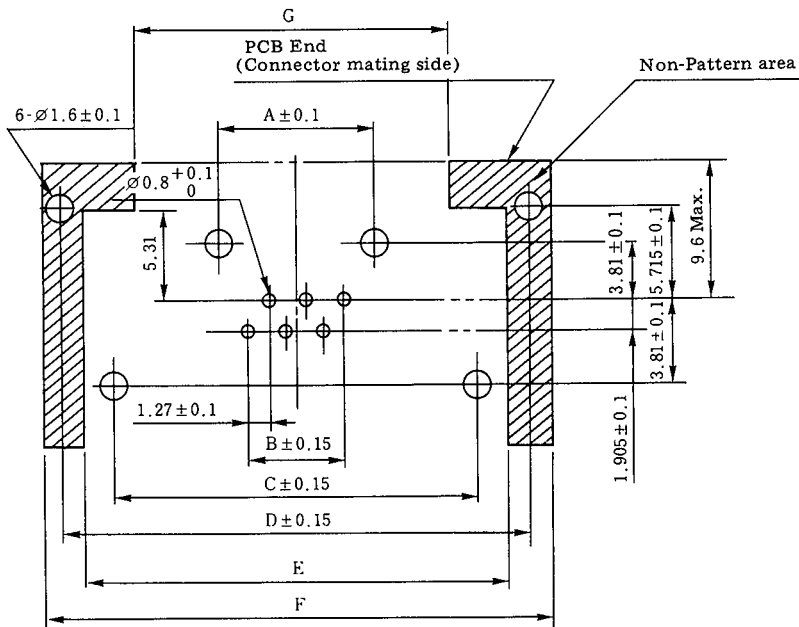
(Standard)



Unit:mm

| HRS No. | No. of Pin | Part No. | A | B | C |
|--------------|------------|----------|-------|-------|-------|
| CL231-3006-8 | 6 | 3110-6S | 9.96 | 6.35 | 23.96 |
| CL231-3001-4 | 8 | 3110-8S | 12.5 | 8.39 | 26.5 |
| CL231-3008-3 | 12 | 3110-12S | 17.58 | 13.97 | 31.58 |
| CL231-0018-0 | 16 | 3110-16S | 22.66 | 19.05 | 36.66 |

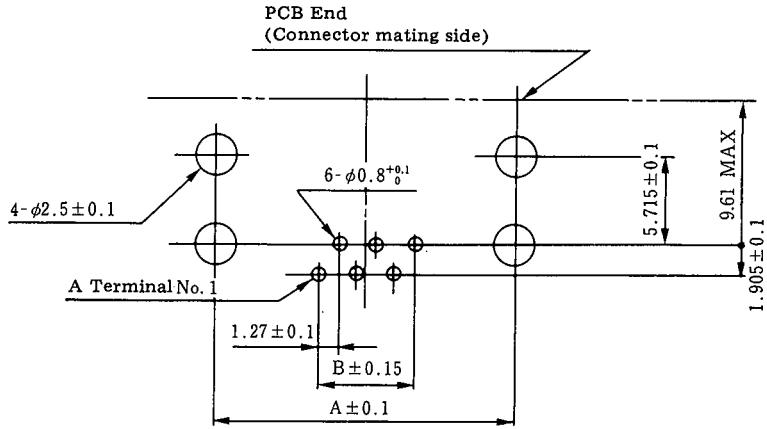
(All Shielded Type)



Unit:mm

| HRS No. | No. of Pin | Part No. | A | B | C | D | E | F | G |
|--------------|------------|-----------|-------|-------|-------|-------|-------|-------|-------|
| CL231-3003-0 | 6 | 3110-6SA | 9.96 | 6.35 | 23.96 | 31.26 | 27.56 | 31.96 | 18.96 |
| CL231-0020-2 | 16 | 3110-16SA | 22.66 | 19.05 | 36.66 | 43.96 | 40.26 | 44.66 | 31.66 |

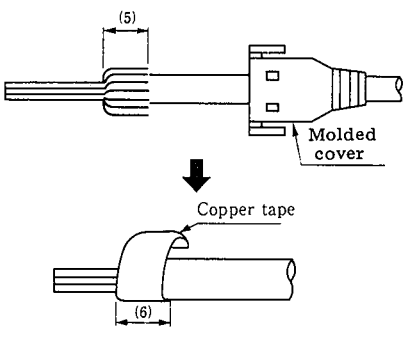
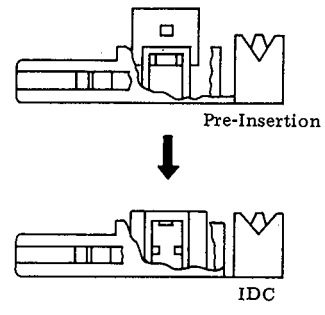
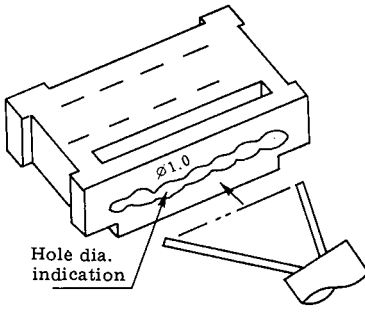
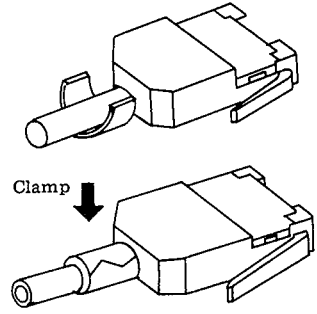
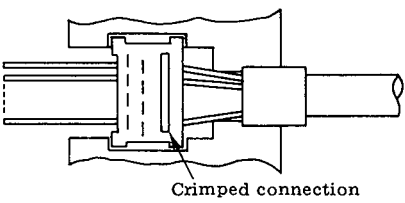
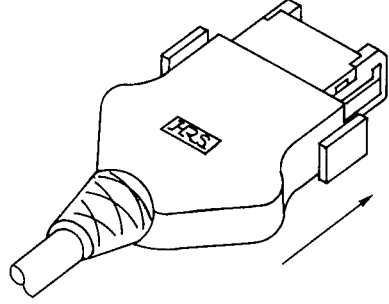
(Without Mounting Hole Type)



Unit:mm

| HRS No. | No. of Pin | Part No. | A | B |
|--------------|------------|-----------|-------|-------|
| CL231-3017-4 | 6 | 3110-6SB | 20.56 | 6.35 |
| CL231-0021-5 | 14 | 3110-14SB | 30.72 | 16.51 |

Connecting Method

| Procedure | Specification | Procedure | Specification |
|-------------------------|--|--------------------------|---|
| 1. Termination | Peel the shielded braid and terminate treatment.  | 4. IDC | Insert the guide plate into the plug temporarily and press it.  |
| 2. Wire configuration | Configure the cable conductor to the corresponding guide plate.  | 5. Covering and clamping | Cover the ground plate B and fasten the cable by clamping.  |
| 3. Cutting and clamping | Cut the remaining part of the wire and clamp the cable conductor.  | 6. Covering |  |

Tooling

(Straight Cable Exit Type)

| Connector | Process | Tool Name | |
|------------|---|---|-----------|
| 3130-6P-C | Wire clamp Remaining part of cable cut | Hi-Flex Connecting press (CL550-0082-2) | 3130-6CT |
| | Crimping, Clamp | | 3130-6GP |
| 3130-8P-C | Wire clamp Remaining part of cable cut | | 3130-8CT |
| | Crimping, Clamp | | 3130-8GP |
| 3130-12P-C | Wire clamp Remaining part of cable cut | | 3130-12CT |
| | Crimping, Clamp | | 3130-12GP |
| 3130-14P-C | Wire clamp Remaining part of cable cut | | 3130-14CT |
| | Crimping, Clamp | | 3130-14GP |

(Side Cable Exit Type)

| Connector | Process | Tool Name | |
|-------------|---|---|-------------|
| 3130-6PA | Wire clamp Remaining part of cable cut | Hi-Flex Connecting press (CL550-0082-2) | 3130-6CT-A |
| | Crimping, Clamp | | 3130-6GP-A |
| 3130-16PA-C | Wire clamp Remaining part of cable cut | | 3130-16CT-A |
| | Crimping, Clamp | | 3130-16GP-A |

Данный компонент на территории Российской Федерации

Вы можете приобрести в компании MosChip.

Для оперативного оформления запроса Вам необходимо перейти по данной ссылке:

<http://moschip.ru/get-element>

Вы можете разместить у нас заказ для любого Вашего проекта, будь то серийное производство или разработка единичного прибора.

В нашем ассортименте представлены ведущие мировые производители активных и пассивных электронных компонентов.

Нашей специализацией является поставка электронной компонентной базы двойного назначения, продукции таких производителей как XILINX, Intel (ex.ALTERA), Vicor, Microchip, Texas Instruments, Analog Devices, Mini-Circuits, Amphenol, Glenair.

Сотрудничество с глобальными дистрибьюторами электронных компонентов, предоставляет возможность заказывать и получать с международных складов практически любой перечень компонентов в оптимальные для Вас сроки.

На всех этапах разработки и производства наши партнеры могут получить квалифицированную поддержку опытных инженеров.

Система менеджмента качества компании отвечает требованиям в соответствии с ГОСТ Р ИСО 9001, ГОСТ РВ 0015-002 и ЭС РД 009

Офис по работе с юридическими лицами:

105318, г.Москва, ул.Щербаковская д.3, офис 1107, 1118, ДЦ «Щербаковский»

Телефон: +7 495 668-12-70 (многоканальный)

Факс: +7 495 668-12-70 (доб.304)

E-mail: info@moschip.ru

Skype отдела продаж:

moschip.ru

moschip.ru_4

moschip.ru_6

moschip.ru_9