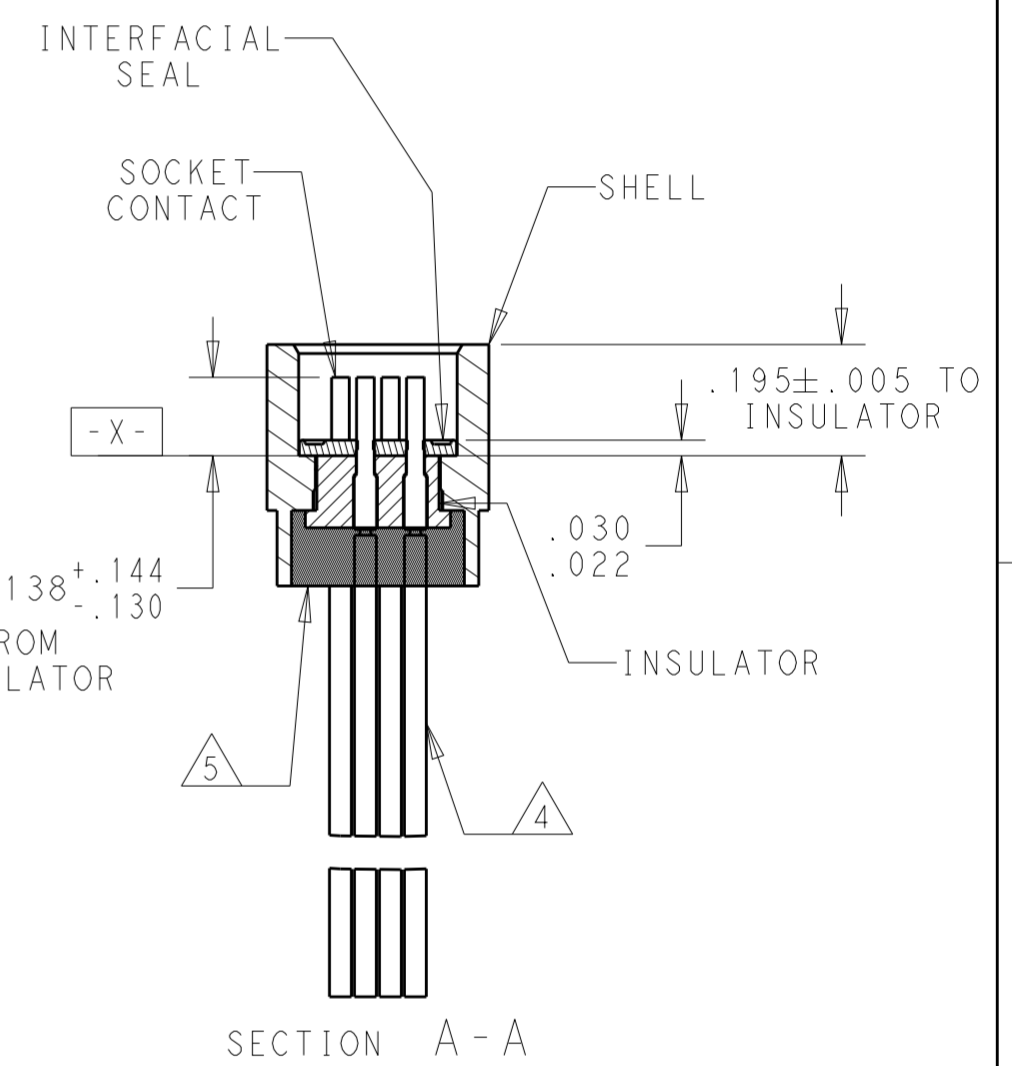
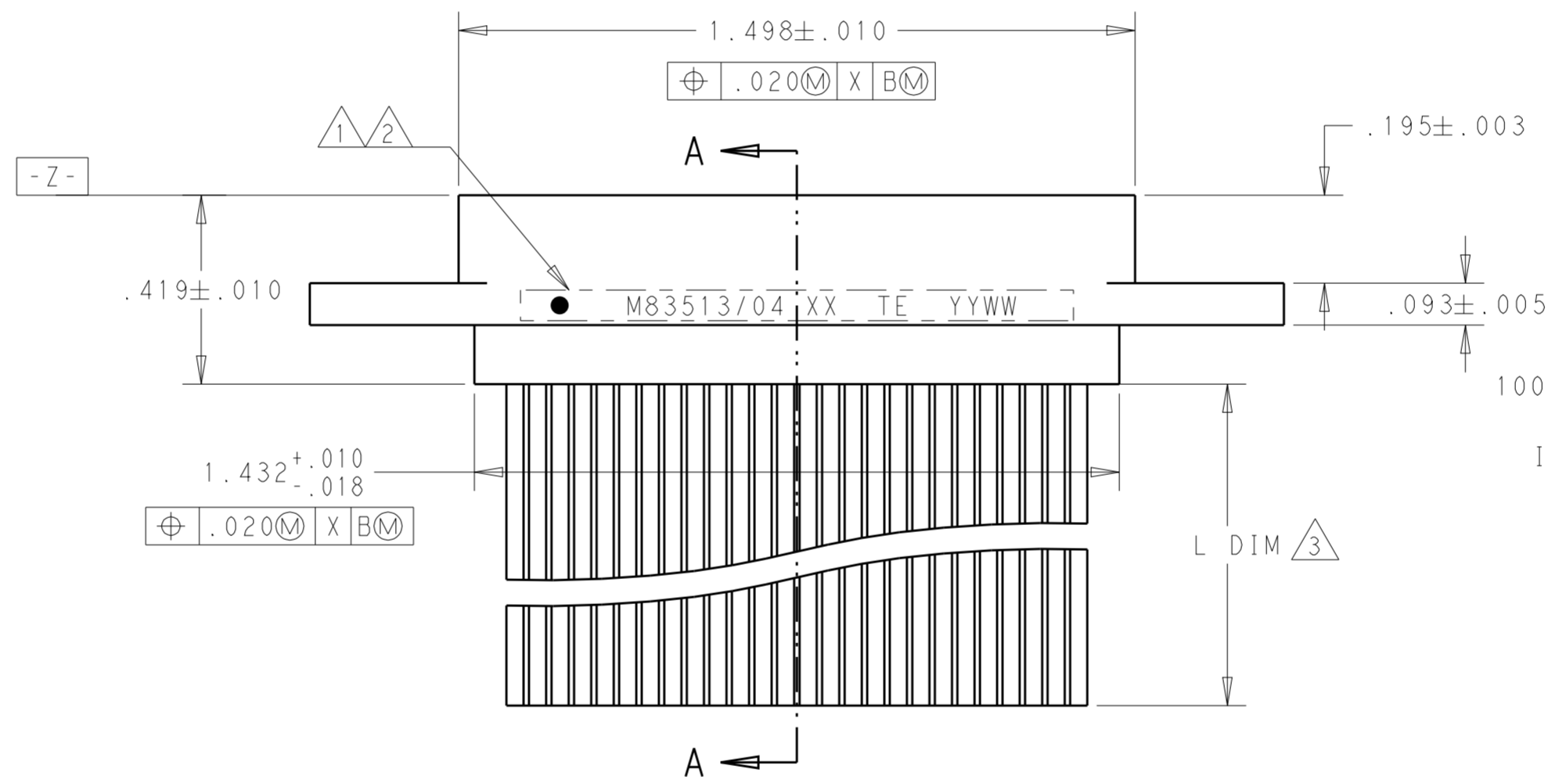
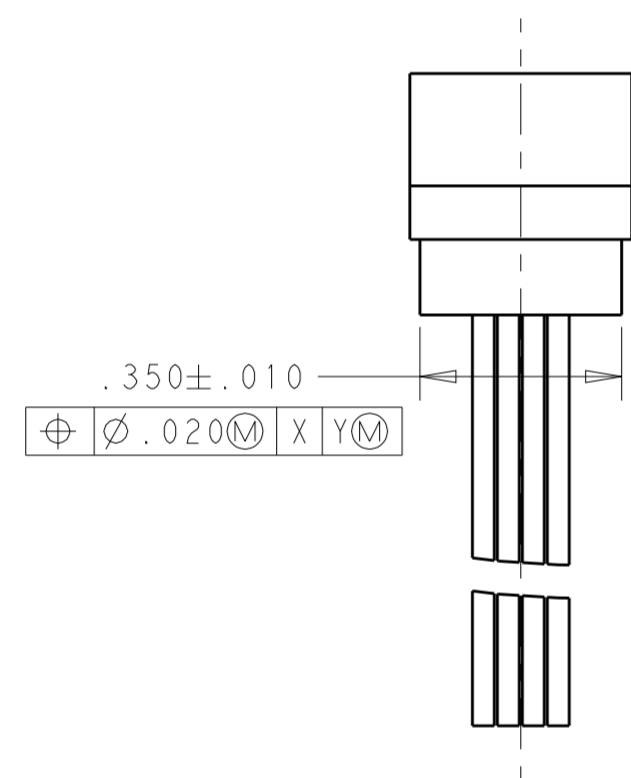
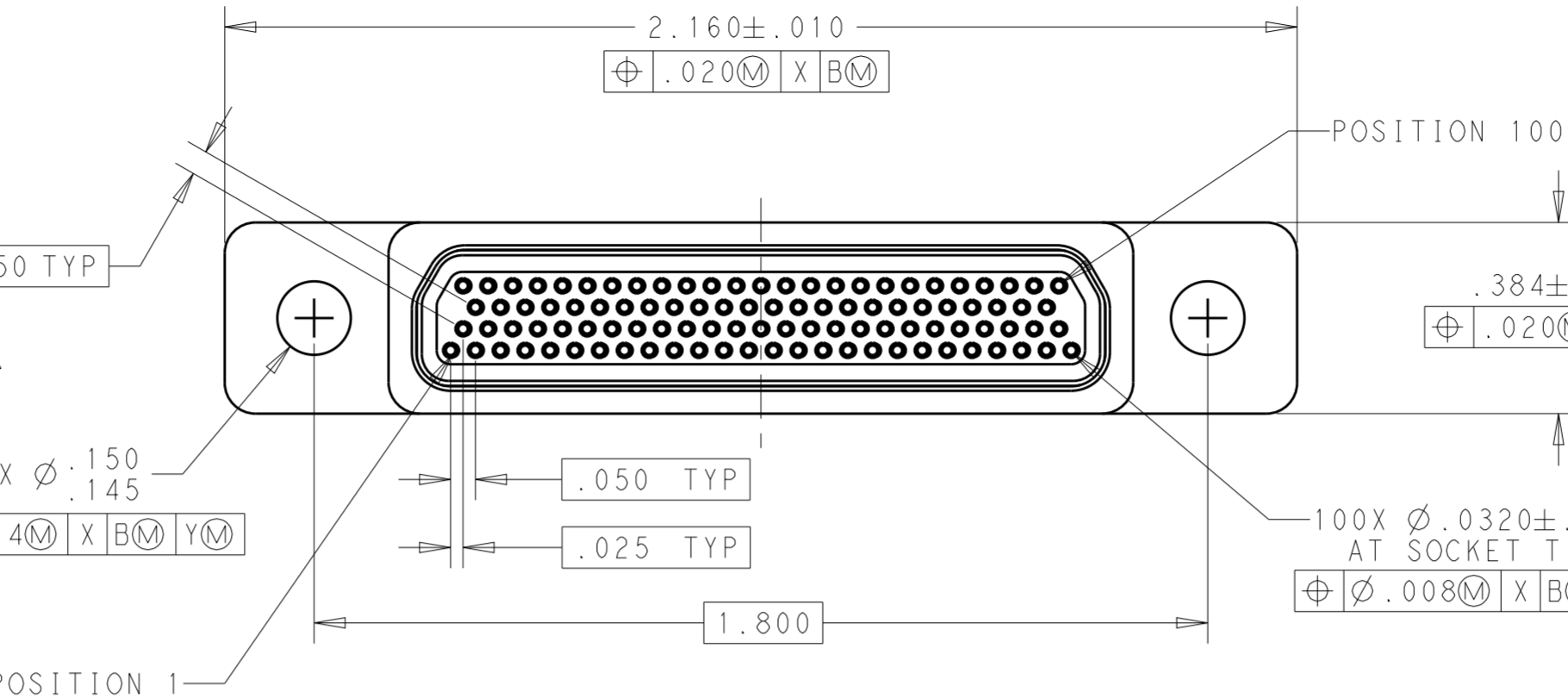


THIS DRAWING IS UNPUBLISHED. RELEASED FOR PUBLICATION 20
 © COPYRIGHT 20 BY - ALL RIGHTS RESERVED.

| REVISIONS | | | | |
|-----------|-----|--------------------------|-----------|-------|
| P | LTR | DESCRIPTION | DATE | APVD |
| B | | UPDATE PER ECO-16-005875 | 20APR2016 | DS CS |



- 1 CONNECTOR SHALL BE MARKED IN ACCORDANCE WITH METHOD 1 OF MIL-STD-1285. MARKING SHALL CONTAIN THE MILITARY PIN, CAGE CODE (OR TE), AND DATE CODE. EXAMPLE: M83513/04-XXXX TE YYWW (WHERE XXXX IS PART OF THE PIN SHOWN IN THE "MIL-DTL-83513" COLUMN OF THE PART NUMBER TABLE, AND YYWW IS THE DATE CODE). TEXT HEIGHT SHALL BE .035 INCH MINIMUM.
- 2 POSITION 1 SHALL BE INDICATED BY AN IDENTIFIABLE MARK, LOCATED APPROXIMATELY AS SHOWN ON THE POSITION 1 SIDE OF THE CONNECTOR FLANGE. THIS MARK SHALL BE INCLUDED AS PART OF THE PART MARKING INFORMATION.
- 3 LENGTH IS SHOWN IN THE "L DIM" COLUMN OF THE PART NUMBER TABLE. LENGTH TOLERANCE IS $+1.0/-0.0$ FOR INSULATED WIRE TERMINATIONS, AND $+0.20/-0.00$ FOR UNINSULATED WIRE TERMINATIONS.
- 4 INSULATED WIRE IS SHOWN FOR REFERENCE ONLY. PART MAY BE TERMINATED WITH INSULATED OR UNINSULATED WIRE ACCORDING TO THE PART NUMBER TABLE.
- 5 EPOXY ENCAPSULATION. EPOXY MAY WICK .125 INCH MAX FOR INSULATED WIRE, AND .050 INCH MAX FOR UNINSULATED WIRE.
- 6 THIS DIMENSION IS THE THEORETICAL INTERSECTION OF THE TWO ADJACENT SIDES OF THE INTERFACE
- 7 ALL DIMENSIONS AND REQUIREMENTS ARE PER MIL-DTL-83513/4


| | | | | | |
|--|--|--------------------|-----------|--|--|
| THIS DRAWING IS A CONTROLLED DOCUMENT. | | DWN B ROMANCHUK | 03SEP2008 | TE Connectivity | |
| DIMENSIONS: IN | | CHK - | - | | |
| TOLERANCES UNLESS OTHERWISE SPECIFIED: | | APVD M STORRY | 03SEP2008 | NAME RECEPTACLE ASSEMBLY MICRO-D PER MIL-DTL-83513/04 MCKS SERIES, 100 POSITION | |
| 0 PLC ± | | PRODUCT SPEC | - | SIZE A2 | |
| 1 PLC ± | | APPLICATION SPEC | - | CAGE CODE 98278 | |
| 2 PLC ±.010 | | WEIGHT | - | DRAWING NO C-1532178 | |
| 3 PLC ±.005 | | CUSTOMER DRAWING | - | RESTRICTED TO - | |
| 4 PLC ± | | SCALE | 3:1 | SHEET 1 OF 2 | |
| 5 PLC ± | | REV | B | | |
| 6 ANGLE ±1° | | | | | |
| FINISH | | | | | |
| MATERIAL SEE NOTES | | | | | |

THIS DRAWING IS UNPUBLISHED. RELEASED FOR PUBLICATION 20
 © COPYRIGHT 20 BY - ALL RIGHTS RESERVED.

| REVISIONS | | | | |
|-----------|-----|-------------|------|------|
| P | LTR | DESCRIPTION | DATE | APVD |
| | | SEE SHEET 1 | | |
| | | | | |
| | | | | |

| TE PART NUMBER | L DIM | MIL-DTL-83513 PIN | MICRODOT P/N | MCKS DESCRIPTION |
|----------------|-------|-------------------|---------------|------------------------|
| 1532178-1 | 18 | M83513/04-H01N | 094-6926-0001 | MCKS-N1-B-100S6G1-18.0 |
| 1532178-2 | 36 | M83513/04-H02N | 094-6926-0002 | MCKS-N1-B-100S6G1-36.0 |
| 1532178-3 | 18 | M83513/04-H03N | 094-6926-0003 | MCKS-N1-B-100S6G9-18.0 |
| 1532178-4 | 36 | M83513/04-H04N | 094-6926-0004 | MCKS-N1-B-100S6G9-36.0 |
| 1532178-5 | 18 | M83513/04-H09N | 094-6926-0009 | MCKS-N1-B-100S6Q1-18.0 |
| 1532178-6 | 36 | M83513/04-H10N | 094-6926-0010 | MCKS-N1-B-100S6Q1-36.0 |
| 1532178-7 | 18 | M83513/04-H11N | 094-6926-0011 | MCKS-N1-B-100S6Q9-18.0 |
| 1532178-8 | 36 | M83513/04-H12N | 094-6926-0012 | MCKS-N1-B-100S6Q9-36.0 |
| 1532178-9 | 72 | M83513/04-H13N | 094-6926-0013 | MCKS-N1-B-100S6G1-72.0 |
| 1-1532178-0 | 72 | M83513/04-H14N | 094-6926-0014 | MCKS-N1-B-100S6G9-72.0 |
| 1-1532178-1 | 72 | M83513/04-H15N | 094-6926-0015 | MCKS-N1-B-100S6Q1-72.0 |
| 1-1532178-2 | 72 | M83513/04-H16N | 094-6926-0016 | MCKS-N1-B-100S6Q9-72.0 |
| 1-1532178-3 | 72 | M83513/04-H13C | 094-6936-0013 | MCKS-C2-B-100S6G1-72.0 |
| 1-1532178-4 | 0.5 | M83513/04-H05N | 094-6926-0005 | MCKS-N1-B-100S5L4-0.5 |
| 1-1532178-5 | 1.0 | M83513/04-H06N | 094-6926-0006 | MCKS-N1-B-100S5L4-1.0 |
| 1-1532178-6 | 0.5 | M83513/04-H07N | 094-6926-0007 | MCKS-N1-B-100S5L5-0.5 |
| 1-1532178-7 | 1.0 | M83513/04-H08N | 094-6926-0008 | MCKS-N1-B-100S5L5-1.0 |
| 1-1532178-8 | 18 | M83513/04-H01C | 094-6936-0001 | MCKS-C2-B-100S6G1-18.0 |
| 1-1532178-9 | 36 | M83513/04-H02C | 094-6936-0002 | MCKS-C2-B-100S6G1-36.0 |
| 2-1532178-0 | 18 | M83513/04-H03C | 094-6936-0003 | MCKS-C2-B-100S6G9-18.0 |
| 2-1532178-1 | 36 | M83513/04-H04C | 094-6936-0004 | MCKS-C2-B-100S6G9-36.0 |
| 2-1532178-2 | 0.5 | M83513/04-H05C | 094-6936-0005 | MCKS-C2-B-100S5L4-0.5 |
| 2-1532178-3 | 1.0 | M83513/04-H06C | 094-6936-0006 | MCKS-C2-B-100S5L4-1.0 |
| 2-1532178-4 | 0.5 | M83513/04-H07C | 094-6936-0007 | MCKS-C2-B-100S5L5-0.5 |
| 2-1532178-5 | 1.0 | M83513/04-H08C | 094-6936-0008 | MCKS-C2-B-100S5L5-1.0 |
| 2-1532178-6 | 18 | M83513/04-H09C | 094-6936-0009 | MCKS-N1-B-100S6Q1-18.0 |
| 2-1532178-7 | 36 | M83513/04-H10C | 094-6936-0010 | MCKS-N1-B-100S6Q1-36.0 |
| 2-1532178-8 | 18 | M83513/04-H11C | 094-6936-0011 | MCKS-N1-B-100S6Q9-18.0 |
| 2-1532178-9 | 36 | M83513/04-H12C | 094-6936-0012 | MCKS-N1-B-100S6Q9-36.0 |
| 3-1532178-0 | 72 | M83513/04-H14C | 094-6936-0014 | MCKS-N1-B-100S6G9-72.0 |
| 3-1532178-1 | 72 | M83513/04-H15C | 094-6936-0015 | MCKS-N1-B-100S6Q1-72.0 |
| 3-1532178-2 | 72 | M83513/04-H16C | 094-6936-0016 | MCKS-N1-B-100S6Q9-72.0 |

| TE PART NUMBER | L DIM | MIL-DTL-83513 PIN | MICRODOT P/N | MCKS DESCRIPTION |
|----------------|-------|-------------------|---------------|------------------------|
| 3-1532178-3 | 18 | M83513/04-H01P | 094-6946-0001 | MCKS-P1-B-100S6G1-18.0 |
| 3-1532178-4 | 36 | M83513/04-H02P | 094-6946-0002 | MCKS-P1-B-100S6G1-36.0 |
| 3-1532178-5 | 18 | M83513/04-H03P | 094-6946-0003 | MCKS-P1-B-100S6G9-18.0 |
| 3-1532178-6 | 36 | M83513/04-H04P | 094-6946-0004 | MCKS-P1-B-100S6G9-36.0 |
| 3-1532178-7 | 0.5 | M83513/04-H05P | 094-6946-0005 | MCKS-P1-B-100S5L4-0.5 |
| 3-1532178-8 | 1.0 | M83513/04-H06P | 094-6946-0006 | MCKS-P1-B-100S5L4-1.0 |
| 3-1532178-9 | 0.5 | M83513/04-H07P | 094-6946-0007 | MCKS-P1-B-100S5L5-0.5 |
| 4-1532178-0 | 1.0 | M83513/04-H08P | 094-6946-0008 | MCKS-P1-B-100S5L5-1.0 |
| 4-1532178-1 | 18 | M83513/04-H09P | 094-6946-0009 | MCKS-P1-B-100S6Q1-18.0 |
| 4-1532178-2 | 36 | M83513/04-H10P | 094-6946-0010 | MCKS-P1-B-100S6Q1-36.0 |
| 4-1532178-3 | 18 | M83513/04-H11P | 094-6946-0011 | MCKS-P1-B-100S6Q9-18.0 |
| 4-1532178-4 | 36 | M83513/04-H12P | 094-6946-0012 | MCKS-P1-B-100S6Q9-36.0 |
| 4-1532178-5 | 72 | M83513/04-H13P | 094-6946-0013 | MCKS-P1-B-100S6G1-72.0 |
| 4-1532178-6 | 72 | M83513/04-H14P | 094-6946-0014 | MCKS-P1-B-100S6G9-72.0 |
| 4-1532178-7 | 72 | M83513/04-H15P | 094-6946-0015 | MCKS-P1-B-100S6Q1-72.0 |
| 4-1532178-8 | 72 | M83513/04-H16P | 094-6946-0016 | MCKS-P1-B-100S6Q9-72.0 |

| | | | | | |
|---|--|-----------------------|-----------|---|--------------------|
| THIS DRAWING IS A CONTROLLED DOCUMENT. | | DWN B ROMANCHUK | 03SEP2008 |  TE Connectivity | |
| DIMENSIONS: IN | | CHK - | - | | |
| TOLERANCES UNLESS OTHERWISE SPECIFIED: | | APVD M. STORRY | 03SEP2008 | NAME RECEPTACLE ASSEMBLY | |
| 0 PLC ± 1 PLC ± 2 PLC ±.010 3 PLC ±.005 4 PLC ± | | PRODUCT SPEC - | | MICRO-D PER MIL-DTL-83513/04 | |
| ANGLES ±1° | | APPLICATION SPEC - | | MCKS SERIES, 100 POSITION | |
| FINISH | | WEIGHT - | | SIZE A2 | CAGE CODE 98278 |
| MATERIAL SEE NOTES | | CUSTOMER DRAWING | | DRAWING NO G-1532178 | RESTRICTED TO - |
| | | | | SCALE 3:1 | SHEET 2 OF 2 |
| | | | | REV B | |

Данный компонент на территории Российской Федерации

Вы можете приобрести в компании MosChip.

Для оперативного оформления запроса Вам необходимо перейти по данной ссылке:

<http://moschip.ru/get-element>

Вы можете разместить у нас заказ для любого Вашего проекта, будь то серийное производство или разработка единичного прибора.

В нашем ассортименте представлены ведущие мировые производители активных и пассивных электронных компонентов.

Нашей специализацией является поставка электронной компонентной базы двойного назначения, продукции таких производителей как XILINX, Intel (ex.ALTERA), Vicor, Microchip, Texas Instruments, Analog Devices, Mini-Circuits, Amphenol, Glenair.

Сотрудничество с глобальными дистрибьюторами электронных компонентов, предоставляет возможность заказывать и получать с международных складов практически любой перечень компонентов в оптимальные для Вас сроки.

На всех этапах разработки и производства наши партнеры могут получить квалифицированную поддержку опытных инженеров.

Система менеджмента качества компании отвечает требованиям в соответствии с ГОСТ Р ИСО 9001, ГОСТ РВ 0015-002 и ЭС РД 009

Офис по работе с юридическими лицами:

105318, г.Москва, ул.Щербаковская д.3, офис 1107, 1118, ДЦ «Щербаковский»

Телефон: +7 495 668-12-70 (многоканальный)

Факс: +7 495 668-12-70 (доб.304)

E-mail: info@moschip.ru

Skype отдела продаж:

moschip.ru

moschip.ru_4

moschip.ru_6

moschip.ru_9