

### FEATURES

- Accurate monitoring of up to four power supply voltages**
- 5 factory-set threshold options: 1.8 V, 2.5 V, 3.0 V, 3.3 V, 5 V**
- Adjustable input threshold voltage = 0.62 V (1.5% accuracy)**
- 200 ms typical reset timeout**
- Open-drain RESET output (10  $\mu$ A internal pull-up)**
- Reset output stage: active low, valid to  $IN_1 = 1$  V or  $IN_2 = 1$  V**
- Low power consumption (35  $\mu$ A)**
- Power supply glitch immunity**
- Specified from  $-40^\circ\text{C}$  to  $+85^\circ\text{C}$**
- 6-lead SOT-23 package**

### APPLICATIONS

- Telecommunications
- Microprocessor systems
- Desktop and notebook computers
- Data storage equipment
- Servers/workstations

### GENERAL DESCRIPTION

The ADM6710 is a low voltage, high accuracy supervisory circuit. The device monitors up to four system supply voltages.

The ADM6710 incorporates a variety of internally pretrimmed undervoltage threshold options for monitoring 1.8 V, 2.5 V, 3.0 V, 3.3 V and 5.0 V supply voltages. The ADM6710Q offers three adjustable thresholds for monitoring voltages down to 0.62 V. See the Ordering Guide section for a list and description of all available options.

If a monitored power supply voltage falls below the minimum voltage threshold, a single active low output asserts, triggering a system reset. The output is open drain with a weak internal pull-up to the monitored  $IN_2$  supply (or to  $V_{CC}$  in the case of the

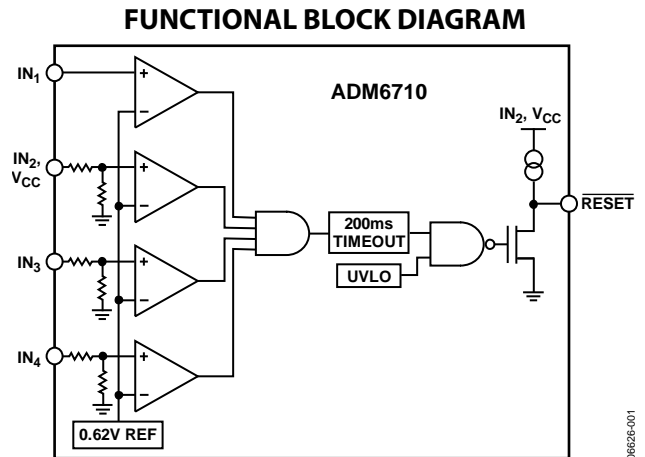


Figure 1.

ADM6710Q) of typically 10  $\mu$ A. Once all voltages rise above the selected threshold level, the reset signal remains low for the reset timeout period (200 ms typical).

The ADM6710 output remains valid as long as  $IN_1$  or  $IN_2$  exceeds 1 V, whereas for the ADM6710Q, the output remains valid as long as  $V_{CC}$  exceeds 2 V.

Unused monitored inputs should not be allowed to float or to be grounded, instead they should be connected to a supply voltage greater than their specified threshold voltages.

The ADM6710 is available in a 6-lead SOT-23 package. The device operates over the extended temperature range of  $-40^\circ\text{C}$  to  $+85^\circ\text{C}$ .

#### Rev. A

Information furnished by Analog Devices is believed to be accurate and reliable. However, no responsibility is assumed by Analog Devices for its use, nor for any infringements of patents or other rights of third parties that may result from its use. Specifications subject to change without notice. No license is granted by implication or otherwise under any patent or patent rights of Analog Devices. Trademarks and registered trademarks are the property of their respective owners.

## TABLE OF CONTENTS

|  |   |  |   |
|--|---|--|---|
| Features .....                                     | 1 | Typical Performance Characteristics .....            | 6 |
| Applications.....                                  | 1 | Theory of Operation .....                            | 8 |
| Functional Block Diagram .....                     | 1 | Input Configuration.....                             | 8 |
| General Description .....                          | 1 | $\overline{\text{RESET}}$ Output Configuration ..... | 8 |
| Revision History .....                             | 2 | Addition Of Manual Reset .....                       | 8 |
| Specifications.....                                | 3 | Outline Dimensions .....                             | 9 |
| Absolute Maximum Ratings.....                      | 4 | Ordering Guide .....                                 | 9 |
| ESD Caution.....                                   | 4 |  |   |
| Pin Configurations and Function Descriptions ..... | 5 |  |   |

## REVISION HISTORY

### 10/10—Rev. 0 to Rev. A

Added Figure 17..... 9

### 6/07—Revision 0: Initial Version

## SPECIFICATIONS

$V_{IN2} = 1\text{ V to }5.5\text{ V}$ ,  $T_A = -40^\circ\text{C to }+85^\circ\text{C}$ , unless otherwise noted. Typical values are  $V_{IN2} = 3.0\text{ V to }3.3\text{ V}$ ,  $T_A = 25^\circ\text{C}$ .

Table 1.

| Parameter  | Min                  | Typ   | Max   | Units                 | Test Conditions/Comments  |
|--|----------------------|-------|-------|-----------------------|---|
| OPERATING VOLTAGE RANGE                                |                      |       |       |                       |   |
| $V_{CC}^1$   | 2.0                  |       | 5.5   | V                     | ADM6710Q only   |
| $V_{IN2}^2$  | 1.0                  |       | 5.5   | V                     | All devices except ADM6710Q; $T_A = 0^\circ\text{C to }+85^\circ\text{C}$   |
|  | 1.2                  |       | 5.5   | V                     | All devices except ADM6710Q; $T_A = -40^\circ\text{C to }+85^\circ\text{C}$   |
| INPUT CURRENT  |                      |       |       |                       |   |
| $IN_x$ Input Current                                   |                      | 25    | 40    | $\mu\text{A}$         | $IN_x$ = nominal input voltage (for 1.8 V, 2.5 V and 5.0 V supplies)  |
|  |                      | 55    | 115   | $\mu\text{A}$         | $IN_2$ = nominal input voltage (for 3.0 V and 3.3 V supplies); the supply splits into 25 $\mu\text{A}$ for the resistor divider and 30 $\mu\text{A}$ for other circuits |
|  |                      |       | 0.4   | $\mu\text{A}$         | $V_{IN1} = 0\text{ V to }0.85\text{ V}$ (for adjustable thresholds)   |
|  |                      |       | 0.2   | $\mu\text{A}$         | $V_{IN3}, V_{IN4} = 0\text{ V to }0.85\text{ V}$ (for adjustable thresholds)  |
| $I_{CC}$ Input Current                                 |                      | 35    | 50    | $\mu\text{A}$         | ADM6710Q only; $V_{CC} = 5.5\text{ V}$  |
| THRESHOLD VOLTAGE                                      |                      |       |       |                       |   |
| Threshold Voltage ( $V_{TH}$ )                         | 4.50                 | 4.63  | 4.75  | V                     | $IN_x$ decreasing; 5 V (–5%)  |
|  | 4.25                 | 4.38  | 4.50  | V                     | $IN_x$ decreasing; 5 V (–10%)   |
|  | 3.00                 | 3.08  | 3.15  | V                     | $IN_x$ decreasing; 3.3 V (–5%)  |
|  | 2.85                 | 2.93  | 3.00  | V                     | $IN_x$ decreasing; 3.3 V (–10%)   |
|  | 2.70                 | 2.78  | 2.85  | V                     | $IN_x$ decreasing; 3.0 V (–5%)  |
|  | 2.55                 | 2.63  | 2.70  | V                     | $IN_x$ decreasing; 3.0 V (–10%)   |
|  | 2.25                 | 2.32  | 2.38  | V                     | $IN_x$ decreasing; 2.5 V (–5%)  |
|  | 2.13                 | 2.19  | 2.25  | V                     | $IN_x$ decreasing; 2.5 V (–10%)   |
|  | 1.62                 | 1.67  | 1.71  | V                     | $IN_x$ decreasing; 1.8 V (–5%)  |
|  | 1.53                 | 1.58  | 1.62  | V                     | $IN_x$ decreasing; 1.8 V (–10%)   |
| Adjustable Threshold ( $V_{TH}$ )                      | 0.611                | 0.620 | 0.629 | V                     | $IN_x$ decreasing   |
| RESET THRESHOLD HYSTERESIS ( $V_{HYST}$ )              |                      | 0.3   |       | $\%V_{TH}$            | $IN_x$ increasing relative to $IN_x$ decreasing   |
| RESET THRESHOLD TEMPERATURE COEFFICIENT ( $TCV_{TH}$ ) |                      | 60    |       | ppm/ $^\circ\text{C}$ |   |
| $IN_x$ to RESET DELAY ( $t_{RP}$ )                     |                      | 30    |       | $\mu\text{s}$         | $V_{IN}$ falling at 10 mV/ $\mu\text{s}$ from $V_{TH}$ to $V_{TH} - 50\text{ mV}$   |
| RESET TIMEOUT PERIOD ( $t_{RP}$ )                      | 140                  | 200   | 280   | ms                    |   |
| RESET OUTPUT LOW ( $V_{OL}$ )                          |                      |       | 0.3   | V                     | $V_{IN2}, V_{CC} = 5\text{ V}, I_{SINK} = 2\text{ mA}$  |
|  |                      |       | 0.4   | V                     | $V_{IN2}, V_{CC} = 2.5\text{ V}, I_{SINK} = 1.2\text{ mA}$  |
|  |                      |       | 0.3   | V                     | $V_{IN2} = 1.0, I_{SINK} = 20\text{ }\mu\text{A}, T_A = 0^\circ\text{C to }+85^\circ\text{C}$   |
| RESET OUTPUT HIGH ( $V_{OH}$ )                         | $0.8 \times V_{CC}$  |       |       | V                     | $V_{CC} \geq 2.0\text{ V}, I_{SOURCE} = 4\text{ }\mu\text{A}, \overline{\text{RESET}}$ deasserted (ADM6710Q only)   |
|  | $0.8 \times V_{IN2}$ |       |       | V                     | $V_{IN2} \geq 2.0\text{ V}, I_{SOURCE} = 4\text{ }\mu\text{A}, \overline{\text{RESET}}$ deasserted  |
| RESET OUTPUT HIGH SOURCE CURRENT ( $I_{OH}$ )          |                      | 10    |       | $\mu\text{A}$         | $V_{IN2} \geq 2.0\text{ V}, \overline{\text{RESET}}$ deasserted   |

<sup>1</sup> Note that the ADM6710Q is powered from  $V_{CC}$ .

<sup>2</sup> The RESET output is guaranteed to be in the correct state for  $IN_1$  or  $IN_2$  down to 1 V.

# ADM6710

## ABSOLUTE MAXIMUM RATINGS

Table 2.

| Parameter                                     | Rating          |
|---|-----------------|
| $V_{CC}$ , $IN_x$ , $\overline{RESET}$ to GND | -0.3 V to +6 V  |
| Continuous $\overline{RESET}$ Current         | 20 mA           |
| Storage Temperature Range                     | -65°C to +125°C |
| Operating Temperature Range                   | -40°C to +85°C  |
| Lead Temperature (10 sec)                     | 300°C           |
| Junction Temperature                          | 135°C           |

Stresses above those listed under Absolute Maximum Ratings may cause permanent damage to the device. This is a stress rating only; functional operation of the device at these or any other conditions above those indicated in the operational section of this specification is not implied. Exposure to absolute maximum rating conditions for extended periods may affect device reliability.

Table 3. Thermal Resistance

| Package Type  | $\theta_{JA}$ | Unit |
|---------------|---------------|------|
| 6-lead SOT-23 | 169.5         | °C/W |

### ESD CAUTION



**ESD (electrostatic discharge) sensitive device.** Charged devices and circuit boards can discharge without detection. Although this product features patented or proprietary protection circuitry, damage may occur on devices subjected to high energy ESD. Therefore, proper ESD precautions should be taken to avoid performance degradation or loss of functionality.

## PIN CONFIGURATIONS AND FUNCTION DESCRIPTIONS



Figure 2. ADM6710 Pin Configuration



Figure 3. ADM6710Q Pin Configuration

Table 4. Pin Function Descriptions

| Pin No. | Mnemonic        | Description   |
|---------|-----------------|---|
| 1       | IN <sub>1</sub> | Input Voltage 1.  |
| 2       | IN <sub>2</sub> | Input Voltage 2. IN <sub>2</sub> is the power supply input for the ADM6710.   |
|         | V <sub>CC</sub> | V <sub>CC</sub> is the power supply input for the ADM6710Q. It is not a monitored input.  |
| 3       | IN <sub>3</sub> | Input Voltage 3.  |
| 4       | IN <sub>4</sub> | Input Voltage 4.  |
| 5       | GND             | Ground.   |
| 6       | RESET           | Active Low RESET Output. RESET goes low when an input drops below the specified threshold. Once all inputs rise above the threshold voltage, RESET remains low for 200 ms (typical) before going high. RESET is open drain with a weak internal pull-up to IN <sub>2</sub> or, in the case of the ADM6710Q, to V <sub>CC</sub> , typically 10 μA. |

## TYPICAL PERFORMANCE CHARACTERISTICS

$V_{IN2} = V_{CC} = 3.0V$ ,  $T_A = 25^\circ C$ , unless otherwise noted.



Figure 4. IN<sub>2</sub> Input Current vs. Temperature



Figure 7. Maximum IN<sub>x</sub> Transient Duration vs. Reset Threshold Overdrive



Figure 5. IN<sub>2</sub> Input Current vs. IN<sub>2</sub> Voltage



Figure 8. RESET Delay vs. Reset Threshold Overdrive (IN<sub>x</sub> Decreasing)



Figure 6. Normalized Threshold Error vs. Temperature



Figure 9. Reset Timeout Delay vs. Temperature

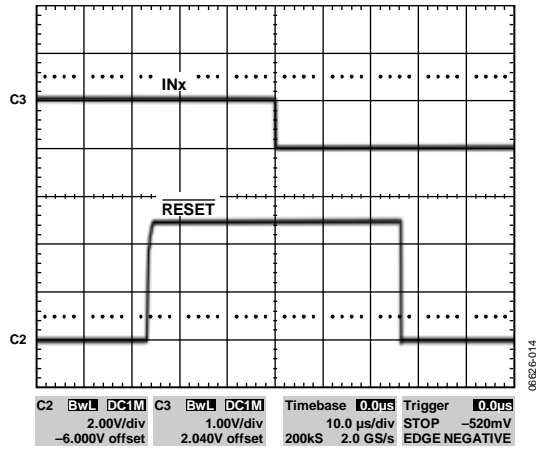


Figure 10. RESET Pull-Up and Pull-Down Response (10 μs/div)

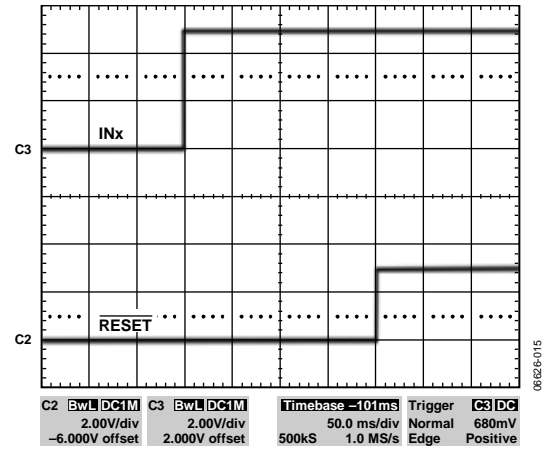


Figure 11. RESET Timeout Delay (50 ms/div)

## THEORY OF OPERATION

The ADM6710 is a compact, low power supervisory circuit capable of monitoring up to four voltages in a multisupply application.

The device includes several factory-set voltage threshold options for monitoring 1.8 V, 2.5 V, 3.0 V, 3.3 V and 5.0 V supplies. It also provides up to three adjustable thresholds for monitoring voltages down to 0.62 V. See the Ordering Guide section for a list and description of all available options.

The ADM6710Q has three adjustable voltage inputs and is powered by  $V_{CC}$ , which is not a monitored voltage. All other ADM6710 devices are powered by  $IN_2$ , which is a monitored voltage, and therefore monitors up to four voltages. If a monitored voltage drops below its associated threshold, the active low reset output asserts low and remains low while either  $IN_1$  or  $IN_2$  remains above 1.0 V.

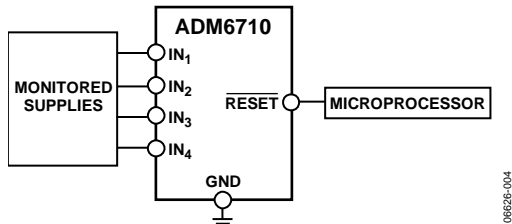


Figure 12. Typical Applications Circuit

## INPUT CONFIGURATION

The ADM6710 provides numerous monitor choices with adjustable reset thresholds. Typically, the threshold voltage at each adjustable  $IN_x$  input is 0.62 V. To monitor a voltage greater than 0.62 V, connect a resistor divider network to the circuit as depicted in Figure 13, where

$$V_{INTH} = 0.62 V \left( \frac{R_1 + R_2}{R_2} \right)$$



Figure 13. Setting the Adjustable Monitor

The internal comparators each typically have a hysteresis of 0.3% with respect to the reset threshold. This built-in hysteresis improves the device's immunity to ambient noise without noticeably reducing the threshold accuracy. The ADM6710 is unaffected by short input transients.

The ADM6710 is powered from the monitored  $IN_2$ , or  $V_{CC}$  in the case of the ADM6710Q. Monitored inputs are resistant to short power supply glitches. Figure 7 depicts the ADM6710 glitch immunity data. To increase noise immunity in noisy applications, place a 0.1  $\mu$ F capacitor between the  $IN_2$  input and ground.

Adding capacitance to  $IN_1$ ,  $IN_3$ , and  $IN_4$  also improves noise immunity.

Do not allow unused monitor inputs to float or to be grounded. Connect these inputs to a supply voltage greater than their specified threshold voltages. In the case of unused  $IN_x$  adjustable inputs, limit the bias current by connecting a 1 M $\Omega$  series resistor between the unused input and  $IN_2$  (or  $V_{CC}$  in the case of the ADM6710Q).

## RESET OUTPUT CONFIGURATION

The  $\overline{RESET}$  output asserts low if a monitored  $IN_x$  voltage drops below its voltage threshold. Once all voltages rise above the selected threshold level, the reset signal remains low for the reset timeout period (200 ms typical). The reset output is open drain with a weak internal pull-up to the monitored  $IN_2$  or  $V_{CC}$  supply, typically 10  $\mu$ A.

Many applications that interface with other logic devices do not require an external pull-up resistor. However, if an external pull-up resistor is required and it is connected to a voltage ranging from 0 V to 5.5 V, it will overdrive the internal pull-up. Reverse current flow from the external pull-up voltage to  $IN_2$  is prevented by the internal circuitry.



Figure 14. Interface with a Different Logic Supply Voltage

## ADDITION OF MANUAL RESET

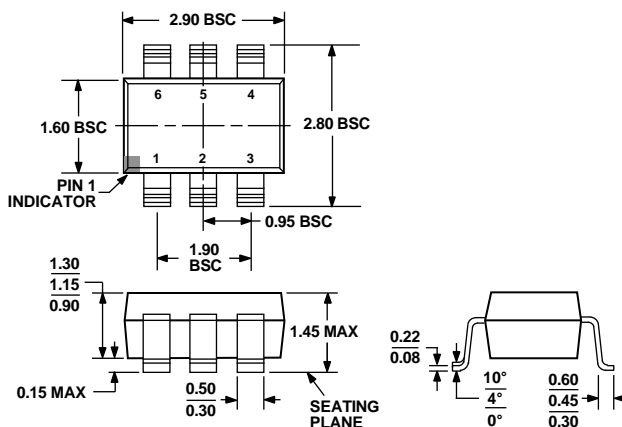
Use the circuit shown in Figure 15 to add manual reset to any of the ADM6710 adjustable inputs. When the switch is closed, the analog input shorts to ground and a  $\overline{RESET}$  output commences. The switch must remain open for a minimum of 140 ms for the  $\overline{RESET}$  output to deassert.



Figure 15. Addition of Manual Reset ( $IN_4$  is an Adjustable Input)



# OUTLINE DIMENSIONS



COMPLIANT TO JEDEC STANDARDS MO-178-AB

Figure 16. 6-Lead Small Outline Transistor Package [SOT-23] (RJ-6)

Dimensions shown in millimeters

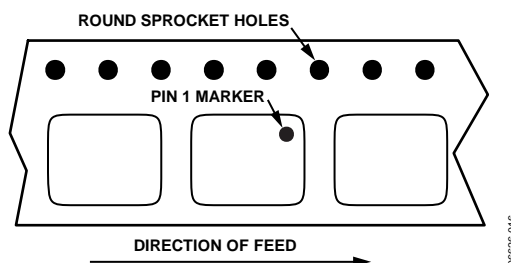


Figure 17. ADM6710 Reel Orientation

## ORDERING GUIDE

| Model <sup>1, 2</sup> | Nominal Input Voltage |                 |                 |                 | Supply Tolerance (%) | Temperature Range | Package Description | Package Option | Branding |
|-----------------------|-----------------------|-----------------|-----------------|-----------------|----------------------|-------------------|---------------------|----------------|----------|
|                       | IN <sub>1</sub>       | IN <sub>2</sub> | IN <sub>3</sub> | IN <sub>4</sub> |                      |                   |                     |                |          |
| ADM6710AARJZ-REEL7    | 5                     | 3.3             | 2.5             | Adj.            | 10                   | -40°C to +85°C    | 6-Lead SOT-23       | RJ-6           | MA9      |
| ADM6710BARJZ-REEL7    | 5                     | 3.3             | 2.5             | Adj.            | 5                    | -40°C to +85°C    | 6-Lead SOT-23       | RJ-6           | MAH      |
| ADM6710CARJZ-REEL7    | 5                     | 3.3             | 1.8             | Adj.            | 10                   | -40°C to +85°C    | 6-Lead SOT-23       | RJ-6           | MAJ      |
| ADM6710DARJZ-REEL7    | 5                     | 3.3             | 1.8             | Adj.            | 5                    | -40°C to +85°C    | 6-Lead SOT-23       | RJ-6           | MAK      |
| ADM6710EARJZ-REEL7    | Adj.                  | 3.3             | 2.5             | 1.8             | 10                   | -40°C to +85°C    | 6-Lead SOT-23       | RJ-6           | MAX      |
| ADM6710FARJZ-REEL7    | Adj.                  | 3.3             | 2.5             | 1.8             | 5                    | -40°C to +85°C    | 6-Lead SOT-23       | RJ-6           | MA4      |
| ADM6710GARJZ-REEL7    | 5                     | 3.3             | Adj.            | Adj.            | 10                   | -40°C to +85°C    | 6-Lead SOT-23       | RJ-6           | MAL      |
| ADM6710HARJZ-REEL7    | 5                     | 3.3             | Adj.            | Adj.            | 5                    | -40°C to +85°C    | 6-Lead SOT-23       | RJ-6           | MAM      |
| ADM6710IARJZ-REEL7    | Adj.                  | 3.3             | 2.5             | Adj.            | 10                   | -40°C to +85°C    | 6-Lead SOT-23       | RJ-6           | MAN      |
| ADM6710JARJZ-REEL7    | Adj.                  | 3.3             | 2.5             | Adj.            | 5                    | -40°C to +85°C    | 6-Lead SOT-23       | RJ-6           | MAP      |
| ADM6710KARJZ-REEL7    | Adj.                  | 3.3             | 1.8             | Adj.            | 10                   | -40°C to +85°C    | 6-Lead SOT-23       | RJ-6           | MAQ      |
| ADM6710LARJZ-REEL7    | Adj.                  | 3.3             | 1.8             | Adj.            | 5                    | -40°C to +85°C    | 6-Lead SOT-23       | RJ-6           | MAR      |
| ADM6710MARJZ-REEL7    | Adj.                  | 3               | 2.5             | Adj.            | 10                   | -40°C to +85°C    | 6-Lead SOT-23       | RJ-6           | MAS      |
| ADM6710NARJZ-REEL7    | Adj.                  | 3               | 2.5             | Adj.            | 5                    | -40°C to +85°C    | 6-Lead SOT-23       | RJ-6           | MAT      |
| ADM6710OARJZ-REEL7    | Adj.                  | 3               | 1.8             | Adj.            | 10                   | -40°C to +85°C    | 6-Lead SOT-23       | RJ-6           | MAU      |
| ADM6710PARJZ-REEL7    | Adj.                  | 3               | 1.8             | Adj.            | 5                    | -40°C to +85°C    | 6-Lead SOT-23       | RJ-6           | MAV      |
| ADM6710QARJZ-REEL7    | Adj.                  | V <sub>CC</sub> | Adj.            | Adj.            | Not applicable       | -40°C to +85°C    | 6-Lead SOT-23       | RJ-6           | MAW      |

<sup>1</sup> Z = RoHS Compliant Part.

<sup>2</sup> Adjustable voltage based on 0.62 V internal threshold. The external threshold voltage can be set using an external resistor divider.

**NOTES**

**NOTES**

**ADM6710**

**NOTES**

## Данный компонент на территории Российской Федерации

### Вы можете приобрести в компании MosChip.

Для оперативного оформления запроса Вам необходимо перейти по данной ссылке:

<http://moschip.ru/get-element>

Вы можете разместить у нас заказ для любого Вашего проекта, будь то серийное производство или разработка единичного прибора.

В нашем ассортименте представлены ведущие мировые производители активных и пассивных электронных компонентов.

Нашей специализацией является поставка электронной компонентной базы двойного назначения, продукции таких производителей как XILINX, Intel (ex.ALTERA), Vicor, Microchip, Texas Instruments, Analog Devices, Mini-Circuits, Amphenol, Glenair.

Сотрудничество с глобальными дистрибьюторами электронных компонентов, предоставляет возможность заказывать и получать с международных складов практически любой перечень компонентов в оптимальные для Вас сроки.

На всех этапах разработки и производства наши партнеры могут получить квалифицированную поддержку опытных инженеров.

Система менеджмента качества компании отвечает требованиям в соответствии с ГОСТ Р ИСО 9001, ГОСТ РВ 0015-002 и ЭС РД 009

### Офис по работе с юридическими лицами:

105318, г.Москва, ул.Щербаковская д.3, офис 1107, 1118, ДЦ «Щербаковский»

Телефон: +7 495 668-12-70 (многоканальный)

Факс: +7 495 668-12-70 (доб.304)

E-mail: [info@moschip.ru](mailto:info@moschip.ru)

Skype отдела продаж:

moschip.ru

moschip.ru\_4

moschip.ru\_6

moschip.ru\_9