

# OPTIMA™ Overcurrent Protection Module - Fuseholder and Disconnect Switch for 1 3/32" x 1 1/2" (10mm x 38mm) Fuses

**OPM-1038  
Switch Series**



**Catalog Symbol:**

Series Fuse Type Communication

**O P M - 1 0 3 8**  **S W**

**Blank** - 10 x 38mm  
or 13/32" x 1-1/2"

**R** - Class CC

**C** - Communication  
Feature

**Materials:** Grey Thermoplastic

**UL Flammability:** UL 94VO

**Horsepower Rating of Switch:**

3PH	V	240	480	600
	HP	5	10	15

**Physical Characteristics:**

- Small size matches 45mm IEC starter width.
- Fits #8-18 AWG stranded wire, #10-18 AWG solid wire.
- 3-pole version.
- Handle and shaft required for through-the-door operation. (See ordering information on page 2).

**Product Features:**

- "Open" fuse indication lights.
- Finger-safe terminals. (Qualified as IP20 per IEC529)
- Cam action handle for easy module removal.
- 35mm DIN-rail or screw panel mounting (#8 screw, 1 1/4" long).
- Dead front construction. No exposed contacts for added safety.
- Option for remote "open fuse" status indication feature available (reduces downtime).
- Offered with Class CC rejection clips or European 10mm x 38mm clips to meet global needs.
- Wire ready: Saves time as terminals are ready to accept wires.

**Agency Information:**

UL (see table below)

CSA Certified, C22.2 No. 39, Class 6225-01, File 47235

IEC (see table below)

**Shipping Weight:** Approx. 335g (.74 lb.)

**Carton Quantity:** 1

Catalog Number	Electrical Rating	SC Rating	Clips	Remote Open Fuse Indication	UL Information			IEC
					Std.	File	Guide	
OPM-1038SW	30A, 600Vac UL/CSA (Max. 3 Watts per fuse) 32A, 660Vac IEC	*	Non-rejection 10x 38mm or 13/32" x 1-1/2"	No	Recognized UL 508	E161278	NLRV2	IEC 947-3
OPM-1038RSW	30A, 600Vac UL/CSA	100kA	Rejection	No	Listed UL 508	E161278	NLRV	
OPM-1038SWC	30A, 600V UL/CSA (Max. 3 Watts per fuse) 32A, 660Vac IEC	*	Non-rejection 10x 38mm or 13/32" x 1-1/2"	Yes	Recognized UL 508	E161278	NLRV2	IEC 947-3
OPM-1038RSWC	30A, 600Vac UL/CSA	100kA	Rejection Class CC	Yes	Listed UL 508	E161278	NLRV	

\*Rating varies depending on fuse used in module, 100kA maximum..

**Recommended Fuse Types:**

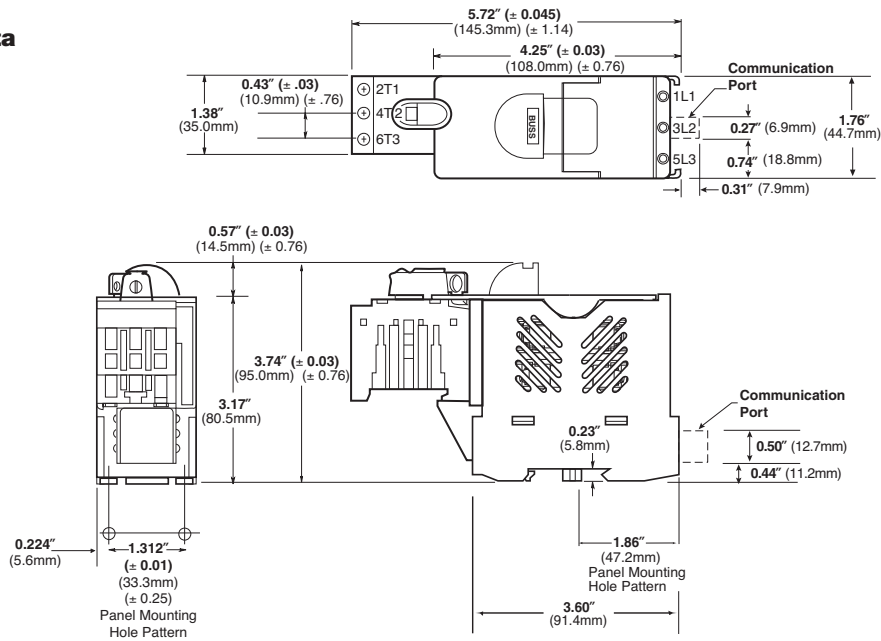
Class CC	Midget (non-rejection)
LP-CC	KTK
KTK-R	FNM
FNQ-R	FNQ

CE CE logo denotes compliance with European Union Low Voltage Directive (50-1000Vac, 75-1500Vdc). Refer to Data Sheet: 8002 or contact Bussmann Application Engineering at 636-527-1270 for more information. Applies to OPM-1038SW and OPM-1038RSW.



**Spare Fuseholder: Part No. 5TPH**

## Dimensional Data



### Selector Handles - for use with shafts $\square$ 0.24" x 0.24" ( $\square$ 6x6mm)

NEMA type	IEC type	Color	Defeatable	Padlockable	Weight (lbs)	Catalog number
-----------	----------	-------	------------	-------------	--------------	----------------

#### All marked both O/I & Off/On

1	IP54	Black	—	—	0.09	CBDH1S
1	IP54	Red/Yel	—	—	0.09	CBDH2S
1	IP54	Black	—	Yes	0.12	CBDH15S
1	IP54	Red/Yel	—	Yes	0.12	CBDH16S
1,3R,12	IP65	Black	—	Yes	0.16	CBDH3S
1,3R,12	IP65	Red/Yel	—	Yes	0.16	CBDH4S
1,3R,12	IP65	Black	Yes	Yes	0.16	CBDH5S
1,3R,12	IP65	Red/Yel	Yes	Yes	0.16	CBDH6S

### Pistol Handles - for use with shafts $\square$ 0.24" x 0.24" ( $\square$ 6x6mm)

NEMA type	IEC type	Color	Marking	Length inches/mm	Defeatable	Padlockable	Weight (lbs)	Catalog number
-----------	----------	-------	---------	------------------	------------	-------------	--------------	----------------

#### All marked both O/I & Off/On

1,3R,12	IP65	Black	O/I & Off/On	1.8/45	Yes	Yes	0.28	BDH56
1,3R,12	IP65	Red/Yel	O/I & Off/On	1.8/45	Yes	Yes	0.28	BDH57
1,3R,12	IP65	Black	O/I & Off/On	2.6/65	Yes	Yes	0.29	BDH58
1,3R,12	IP65	Red/Yel	O/I & Off/On	2.6/65	Yes	Yes	0.29	BDH59
1,3R,12,4,4X	IP66	Black	O/I & Off/On	2.6/65	Yes	Yes	0.29	CDHXB65L6
1,3R,12,4,4X	IP66	Red/Yel	O/I & Off/On	2.6/65	Yes	Yes	0.29	CDHXY65L6

### Extended Shafts - Shaft Dimension ( $\square$ 6x6mm)

For Handle Type	Mounting Depth**	Shaft Length	Catalog Number
Selector	4.2 - 5.0"	3.3" (85mm)	BDS85S
	5.0 - 5.8"	4.1" (105mm)	BDS105S
	5.6 - 6.4"	4.7" (120mm)	BDS120S
	6.0 - 6.7"	5.1" (130mm)	BDS130S
	7.1 - 8.7"	7.1" (180mm)	BDS180S
	10.7 - 11.5"	9.8" (250mm)	BDS250S
Pistol	13.8 - 14.6"	13.0" (330mm)	BDS330S
	6.2 - 6.7"	5.9" (150mm)	BDS150
	7.0 - 7.5"	6.7" (170mm)	BDS170
	10.7 - 11.3"	10.4" (265mm)	BDS265
	16.0 - 16.6"	15.8" (400mm)	BDS400
	20.0 - 20.5"	19.7" (500mm)	BDS500

\*\*Mounting depth is the distance from the outside of the door to the disconnect switch. Shaft can be cut to desired length.

### Ordering Information for External Handle\*:

#### OPTIMA Module + CDRKBS12 + Handle + Shaft = Complete Disconnect Switch (without fuses)

1. Order Cooper Bussmann part number CDRKBS12.
2. Select the appropriate handle style (Selector or Pistol).
3. Select the shaft corresponding to the handle type and mounting depth required.

\*All switchable OPM-1038 modules come standard with a small black handle Cooper Bussmann part number CDRKBS12 must be ordered for all through-the-door applications.

## OPEN FUSE INDICATION

### Status Output Specifications:

- \*Minimum operating voltage: 460Vac, 3-phase
- \*Maximum operating voltage: 620Vac, 3-phase
- Status output maximum conducting current: 40mA
- Status output maximum on resistance: 35 ohms @ 40mA
- Status output typical off resistance: >10 Mohm
- Status output maximum turn-on and turn-off delay: 850 milli-second

### Status Output Interface Specifications:

- Rated Voltage: Recommended 5-35Vdc, 300Vac max.
- Rated Current: 40mA max.
- Wire Size: #28-14 AWG
- Torque: 2.25 lb. in.

### Open Fuse Indicator Status Output Description:

The open fuse indicator status output acts very much like an on/off switch. With all three fuses in place and operating properly, this status output has a high resistance value of greater than ten mega-ohms. When one or more of the fuses are open, the status output becomes turned-on with a resistance value less than 35 ohms. This status output withstands voltage (ac or dc) up to 35V at off-state and conducts current up to 40 milli-amperes at on-state. Applying voltage and current exceeding these limits will result in damage to the components inside this status output device permanently. There is some time-delay when the status output changes on/off state. The open fuse communications or status output device includes optical isolators within the unit.

Communications output states:

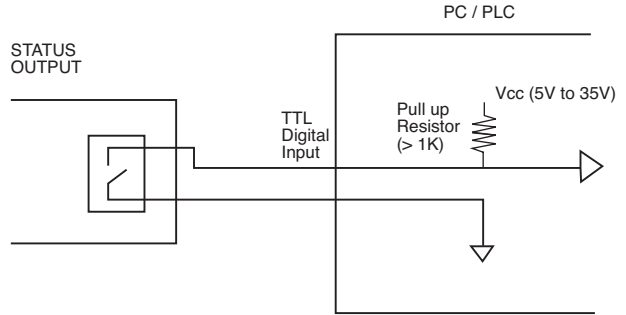
Fuse Good	NO - High Resistance, >10 megohms
Opened Fuse	NC - Low Resistance, < 35 ohms

**Note: Operating this device beyond the above limits will cause permanent damage to the components on the board.**

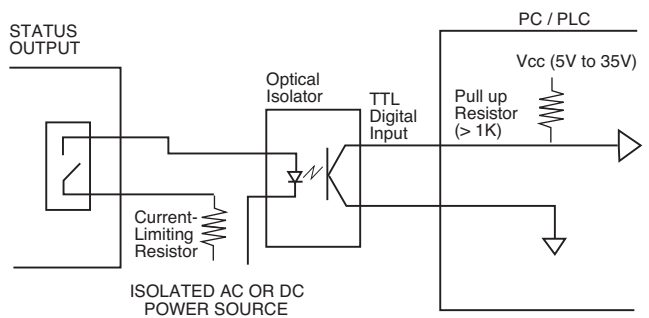
**For applications requiring status output below a system voltage of 460V, contact Bussmann.**

The examples shown below illustrate typical interface to Programmable Logic Controllers.

#### EXAMPLE 1: DIRECT INTERFACE TO PC/PLC



#### EXAMPLE 2: INTERFACE TO PC / PLC WITH OPTICAL ISOLATION



Note: When energized (switch in the "on" position), a low load terminal voltage will be present when fuses are open or when pullout module is removed. The leakage current is limited to .5mA maximum.

#### Example of Output Voltage with three open fuses or pullout module removed.

Catalog Number Types of Indication	OPM-1038RSW, OPM-1038SW Standard	OPM-1038-RSWC, OPM-1038SWC Communication
System Voltage (1L1-3L2-5L3)	Load Terminal Voltage (2T1-4T2-6T3)	
125Vdc *	12Vdc *	31Vdc *
480Vac, 3-phase	26Vac	56Vac
600Vac, 3-phase	33Vac	88Vac

There is no voltage at the load terminals (2T1-4T2-6T3) on the switch version (SW suffix) when the switch is in the "off" position.

\*The communication device requires a minimum circuit voltage (1L1-3L2-5L3) of 460V for the status indicating device to operate. Below 460V, but above 120V, the indicator lights will luminate, but there will not be any communication status output.

The only controlled copy of this Data Sheet is the electronic read-only version located on the Cooper Bussmann Network Drive. All other copies of this document are by definition uncontrolled. This bulletin is intended to clearly present comprehensive product data and provide technical information that will help the end user with design applications. Cooper Bussmann reserves the right, without notice, to change design or construction of any products and to discontinue or limit distribution of any products. Cooper Bussmann also reserves the right to change or update, without notice, any technical information contained in this bulletin. Once a product has been selected, it should be tested by the user in all possible applications.

## Данный компонент на территории Российской Федерации

### Вы можете приобрести в компании MosChip.

Для оперативного оформления запроса Вам необходимо перейти по данной ссылке:

<http://moschip.ru/get-element>

Вы можете разместить у нас заказ для любого Вашего проекта, будь то серийное производство или разработка единичного прибора.

В нашем ассортименте представлены ведущие мировые производители активных и пассивных электронных компонентов.

Нашей специализацией является поставка электронной компонентной базы двойного назначения, продукции таких производителей как XILINX, Intel (ex.ALTERA), Vicor, Microchip, Texas Instruments, Analog Devices, Mini-Circuits, Amphenol, Glenair.

Сотрудничество с глобальными дистрибьюторами электронных компонентов, предоставляет возможность заказывать и получать с международных складов практически любой перечень компонентов в оптимальные для Вас сроки.

На всех этапах разработки и производства наши партнеры могут получить квалифицированную поддержку опытных инженеров.

Система менеджмента качества компании отвечает требованиям в соответствии с ГОСТ Р ИСО 9001, ГОСТ РВ 0015-002 и ЭС РД 009

### Офис по работе с юридическими лицами:

105318, г.Москва, ул.Щербаковская д.3, офис 1107, 1118, ДЦ «Щербаковский»

Телефон: +7 495 668-12-70 (многоканальный)

Факс: +7 495 668-12-70 (доб.304)

E-mail: [info@moschip.ru](mailto:info@moschip.ru)

Skype отдела продаж:

moschip.ru

moschip.ru\_4

moschip.ru\_6

moschip.ru\_9