

### General Description

The [XR76203](#), [XR76205](#) and [XR76208](#) are synchronous step-down regulators combining the controller, drivers, bootstrap diode and MOSFETs in a single package for point-of-load supplies. The XR76203, XR76205 and XR76208 have load current ratings of 3A, 5A and 8A respectively. A wide 5V to 40V input voltage range allows for single supply operation from industry standard 24V  $\pm$ 10%, 18V-36V, and rectified 18VAC and 24VAC rails.

With a proprietary emulated current mode Constant On-Time (COT) control scheme, the XR76203, XR76205 and XR76208 provide extremely fast line and load transient response using ceramic output capacitors. They require no loop compensation, simplifying circuit implementation and reducing overall component count. The control loop also provides 0.07% load and 0.15% line regulation and maintains constant operating frequency. A selectable power saving mode allows the user to operate in discontinuous conduction mode (DCM) at light current loads thereby significantly increasing the converter efficiency.

A host of protection features, including over-current, over-temperature, short-circuit and UVLO, helps achieve safe operation under abnormal operating conditions.

The XR76203/5/8 are available in a RoHS-compliant, green/halogen-free space-saving QFN 5x5mm package.

### FEATURES

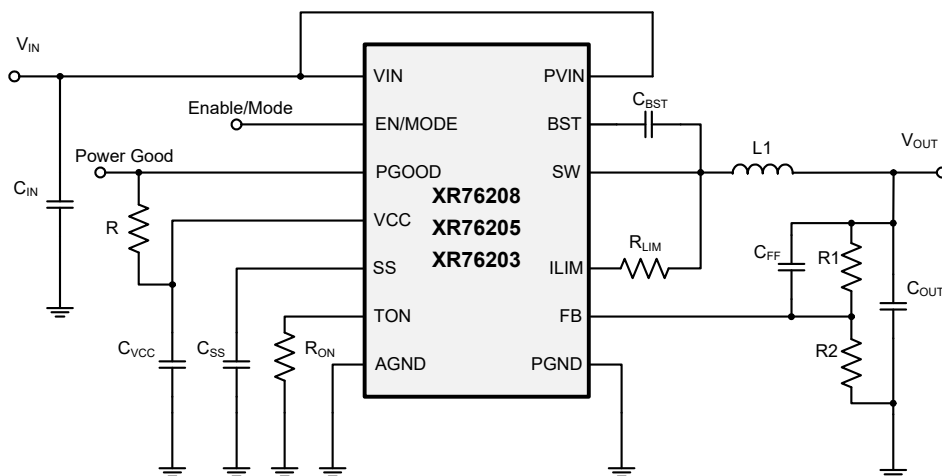
- Controller, drivers, bootstrap diode and MOSFETs integrated in one package
- 3A, 5A and 8A Step Down Regulators
  - Wide 5V to 40V Input Voltage Range
  - $\geq$ 0.6V Adjustable Output Voltage
- Proprietary Constant On-Time Control
  - No Loop Compensation Required
  - Stable Ceramic Output Capacitor Operation
  - Programmable 200ns to 2 $\mu$ s On-Time
  - Constant 100kHz to 800kHz Frequency
- Selectable CCM or CCM/DCM
  - CCM/DCM for high efficiency at light-load
  - CCM for constant frequency at light-load
- Programmable Hiccup Current Limit with Thermal Compensation
- Precision Enable and Power Good flag
- Programmable Soft-start
- 30-pin 5x5mm QFN package

### APPLICATIONS

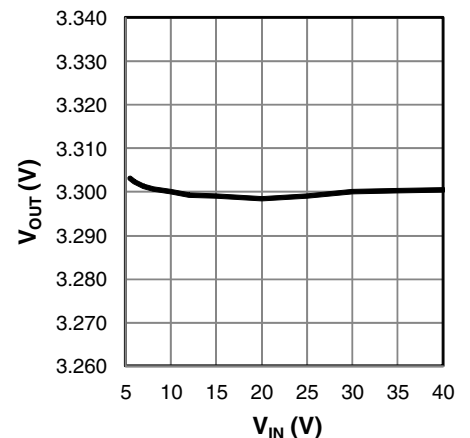
- Distributed Power Architecture
- Point-of-Load Converters
- Power Supply Modules
- FPGA, DSP, and Processor Supplies
- Base Stations, Switches/Routers, and Servers

Ordering Information – [back page](#)

### Typical Application



Line Regulation



### Absolute Maximum Ratings

Stresses beyond the limits listed below may cause permanent damage to the device. Exposure to any Absolute Maximum Rating condition for extended periods may affect device reliability and lifetime.

|   |                                |
|---|--------------------------------|
| PV <sub>IN</sub> , V <sub>IN</sub> .....  | -0.3V to 43V                   |
| V <sub>CC</sub> .....                     | -0.3V to 6.0V                  |
| BST.....                                  | -0.3V to 48V <sup>(1)</sup>    |
| BST-SW.....                               | -0.3V to 6V                    |
| SW, ILIM.....                             | -1V to 43V <sup>(1, 2)</sup>   |
| ALL other pins.....                       | -0.3V to V <sub>CC</sub> +0.3V |
| Storage Temperature.....                  | -65°C to +150°C                |
| Junction Temperature.....                 | 150°C                          |
| Power Dissipation.....                    | Internally Limited             |
| Lead Temperature (Soldering, 10 sec)..... | 300°C                          |
| ESD Rating (HBM - Human Body Model).....  | 2kV                            |

### Operating Conditions

|   |                                 |
|---|---------------------------------|
| PV <sub>IN</sub> .....  | .5V to 40V                      |
| V <sub>IN</sub> .....   | .5V to 40V                      |
| SW, ILIM.....   | -1V to 40V <sup>(1)</sup>       |
| PGOOD, V <sub>CC</sub> , T <sub>ON</sub> , SS, EN, FB.....        | -0.3V to 5.5V                   |
| Switching Frequency.....  | 100kHz to 800kHz <sup>(3)</sup> |
| Junction Temperature Range.....                                   | -40°C to +125°C                 |
| XR76203 JEDEC51 Package Thermal Resistance, θ <sub>JA</sub> ..... | 28°C/W                          |
| XR76205 JEDEC51 Package Thermal Resistance, θ <sub>JA</sub> ..... | 26°C/W                          |
| XR76208 JEDEC51 Package Thermal Resistance, θ <sub>JA</sub> ..... | 25°C/W                          |
| XR76203 Package Power Dissipation at 25°C.....                    | 3.6W                            |
| XR76205 Package Power Dissipation at 25°C.....                    | 3.8W                            |
| XR76208 Package Power Dissipation at 25°C.....                    | 4.0W                            |

Note 1: No external voltage applied.

Note 2: SW pin's minimum DC range is -1V, transient is -5V for less than 50ns.

Note 3: Recommended frequency

### Electrical Characteristics

Unless otherwise noted: T<sub>J</sub>= 25°C, V<sub>IN</sub>=24V, BST=V<sub>CC</sub>, SW=AGND=PGND=0V, C<sub>VCC</sub>=4.7uF. Limits applying over the full operating temperature range are denoted by a “•”

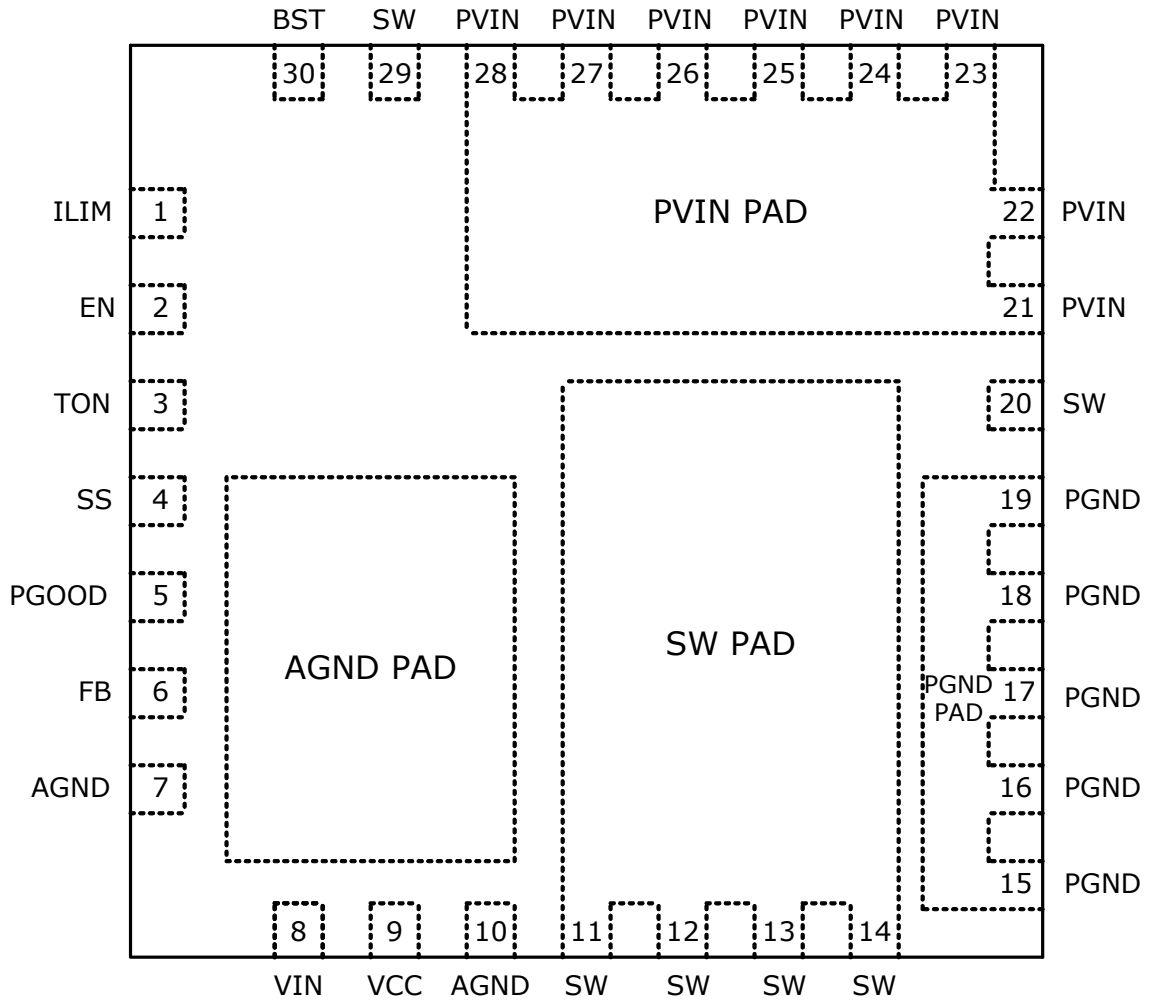
| Symbol                                 | Parameter                                     | Conditions   |   | Min | Typ | Max | Units |
|--|---|--|---|-----|-----|-----|-------|
| Power Supply Characteristics           |   |  |   |     |     |     |       |
| V <sub>IN</sub>                        | Input Voltage Range                           | V <sub>CC</sub> regulating                                   | • | 5.5 |     | 40  | V     |
| I <sub>VIN</sub>                       | VIN Input Supply Current                      | Not switching, V <sub>IN</sub> = 24V, V <sub>FB</sub> = 0.7V | • |     | 0.7 | 2   | mA    |
| I <sub>VIN</sub>                       | VIN Input Supply Current (XR76203)            | f=300kHz, R <sub>ON</sub> =215k, V <sub>FB</sub> =0.58V      |   |     | 12  |     | mA    |
| I <sub>VIN</sub>                       | VIN Input Supply Current (XR76205)            | f=300kHz, R <sub>ON</sub> =215k, V <sub>FB</sub> =0.58V      |   |     | 15  |     | mA    |
| I <sub>VIN</sub>                       | VIN Input Supply Current (XR76208)            | f=300kHz, R <sub>ON</sub> =215k, V <sub>FB</sub> =0.58V      |   |     | 19  |     | mA    |
| I <sub>OFF</sub>                       | Shutdown Current                              | Enable = 0V, V <sub>IN</sub> = 12V                           |   |     | 1   |     | µA    |
| Enable and Under-Voltage Lock-Out UVLO |   |  |   |     |     |     |       |
| V <sub>IH_EN_1</sub>                   | EN Pin Rising Threshold                       |  | • | 1.8 | 1.9 | 2.0 | V     |
| V <sub>EN_H_1</sub>                    | EN Pin Hysteresis                             |  |   |     | 70  |     | mV    |
| V <sub>IH_EN_2</sub>                   | EN Pin Rising Threshold for DCM/CCM operation |  | • | 2.8 | 3.0 | 3.1 | V     |
| V <sub>EN_H_2</sub>                    | EN Pin Hysteresis                             |  |   |     | 100 |     | mV    |

| Symbol                              | Parameter                             | Conditions   |   | Min   | Typ   | Max   | Units |
|-------------------------------------|---------------------------------------|--|---|-------|-------|-------|-------|
|                                     | VCC UVLO Start Threshold, Rising Edge |  | • | 4.00  | 4.25  | 4.40  | V     |
|                                     | VCC UVLO Hysteresis                   |  |   |       | 230   |       | mV    |
| Reference Voltage                   |                                       |  |   |       |       |       |       |
| V <sub>REF</sub>                    | Reference Voltage                     | V <sub>IN</sub> = 5.5V to 40V, VCC regulating                                |   | 0.596 | 0.600 | 0.604 | V     |
|                                     |                                       | V <sub>IN</sub> = 5.5V to 40V, VCC regulating                                | • | 0.594 | 0.600 | 0.606 | V     |
|                                     | DC Line Regulation                    | CCM, closed loop, V <sub>IN</sub> =5.5V-40V, applies to any C <sub>OUT</sub> |   |       | ±0.33 |       | %     |
|                                     | DC Load Regulation                    | CCM, closed loop, applies to any C <sub>OUT</sub>                            |   |       | ±0.39 |       | %     |
| Programmable Constant On-Time       |                                       |  |   |       |       |       |       |
| T <sub>ON1</sub>                    | On-Time 1                             | R <sub>ON</sub> = 237k, V <sub>IN</sub> = 40V                                | • | 1570  | 1840  | 2120  | ns    |
|                                     | f Corresponding to On-Time 1          | V <sub>OUT</sub> = 24V, V <sub>IN</sub> = 40V, R <sub>ON</sub> = 237k        | • | 283   | 326   | 382   | kHz   |
| T <sub>ON(MIN)</sub>                | Minimum Programmable On-Time          | R <sub>ON</sub> = 14k, V <sub>IN</sub> = 40V                                 |   |       | 120   |       | ns    |
| T <sub>ON2</sub>                    | On-Time 2                             | R <sub>ON</sub> = 14k, V <sub>IN</sub> = 24V                                 | • | 174   | 205   | 236   | ns    |
| T <sub>ON3</sub>                    | On-Time 3                             | R <sub>ON</sub> = 35.7k, V <sub>IN</sub> = 24V                               | • | 407   | 479   | 550   | ns    |
|                                     | f Corresponding to On-Time 3          | V <sub>OUT</sub> = 3.3V, V <sub>IN</sub> = 24V, R <sub>ON</sub> = 35.7k      | • | 250   | 287   | 338   | kHz   |
|                                     | f Corresponding to On-Time 3          | V <sub>OUT</sub> = 5.0V, V <sub>IN</sub> = 24V, R <sub>ON</sub> = 35.7k      | • | 379   | 435   | 512   | kHz   |
|                                     | Minimum Off-Time                      |  | • |       | 250   | 350   | ns    |
| Diode Emulation Mode                |                                       |  |   |       |       |       |       |
|                                     | Zero Crossing Threshold               | DC value measured during test  |   |       | -2    |       | mV    |
| Soft-start                          |                                       |  |   |       |       |       |       |
|                                     | SS Charge Current                     |  | • | -14   | -10   | -6    | µA    |
|                                     | SS Discharge Current                  | Fault present  | • | 1     |       |       | mA    |
| VCC Linear Regulator                |                                       |  |   |       |       |       |       |
|                                     | VCC Output Voltage                    | V <sub>IN</sub> = 6V to 40V, I <sub>LOAD</sub> = 0 to 30mA                   | • | 4.8   | 5.0   | 5.2   | V     |
|                                     |                                       | V <sub>IN</sub> = 5V, I <sub>LOAD</sub> = 0 to 20mA                          | • | 4.51  | 4.7   |       | V     |
| Power Good Output                   |                                       |  |   |       |       |       |       |
|                                     | Power Good Threshold                  |  |   | -10   | -6.9  | -5    | %     |
|                                     | Power Good Hysteresis                 |  |   |       | 1.6   | 4     | %     |
|                                     | Power Good Sink Current               |  |   | 1     |       |       | mA    |
| Protection: OCP, OTP, Short-Circuit |                                       |  |   |       |       |       |       |
|                                     | Hiccup Timeout                        |  |   |       | 110   |       | ms    |
|                                     | ILIM Pin Source Current               |  |   | 45    | 50    | 55    | µA    |
|                                     | ILIM Current Temperature Coefficient  |  |   |       | 0.4   |       | %/°C  |
|                                     | OCP Comparator Offset                 |  | • | -8    | 0     | +8    | mV    |

| Symbol                      | Parameter                                  | Conditions   |   | Min | Typ  | Max  | Units |
|-----------------------------|--|--|---|-----|------|------|-------|
|                             | Current Limit Blanking                     | GL rising > 1V   |   |     | 100  |      | ns    |
|                             | Thermal Shutdown Threshold <sup>1</sup>    | Rising temperature   |   |     | 150  |      | °C    |
|                             | Thermal Hysteresis <sup>1</sup>            |  |   |     | 15   |      | °C    |
|                             | VSCTH Feedback Pin Short-Circuit Threshold | Percent of $V_{REF}$ short circuit is active after PGOOD is asserted | • | 50  | 60   | 70   | %     |
| XRP76203 Output Power Stage |  |  |   |     |      |      |       |
| $R_{DSON}$                  | High-Side MOSFET $R_{DSON}$                | $I_{DS} = 1A$  |   |     | 115  | 160  | mΩ    |
|                             | Low-Side MOSFET $R_{DSON}$                 |  |   |     | 40   | 59   | mΩ    |
| $I_{OUT}$                   | Maximum Output Current                     |  | • | 3A  |      |      | A     |
| XRP76205 Output Power Stage |  |  |   |     |      |      |       |
| $R_{DSON}$                  | High-Side MOSFET $R_{DSON}$                | $I_{DS} = 2A$  |   |     | 42   | 59   | mΩ    |
|                             | Low-Side MOSFET $R_{DSON}$                 |  |   |     | 40   | 59   | mΩ    |
| $I_{OUT}$                   | Maximum Output Current                     |  | • | 5A  |      |      | A     |
| XRP76208 Output Power Stage |  |  |   |     |      |      |       |
| $R_{DSON}$                  | High-Side MOSFET $R_{DSON}$                | $I_{DS} = 2A$  |   |     | 42   | 59   | mΩ    |
|                             | Low-Side MOSFET $R_{DSON}$                 |  |   |     | 16.2 | 21.5 | mΩ    |
| $I_{OUT}$                   | Maximum Output Current                     |  | • | 8A  |      |      | A     |

Note 1: Guaranteed by design

Pin Configuration, Top View

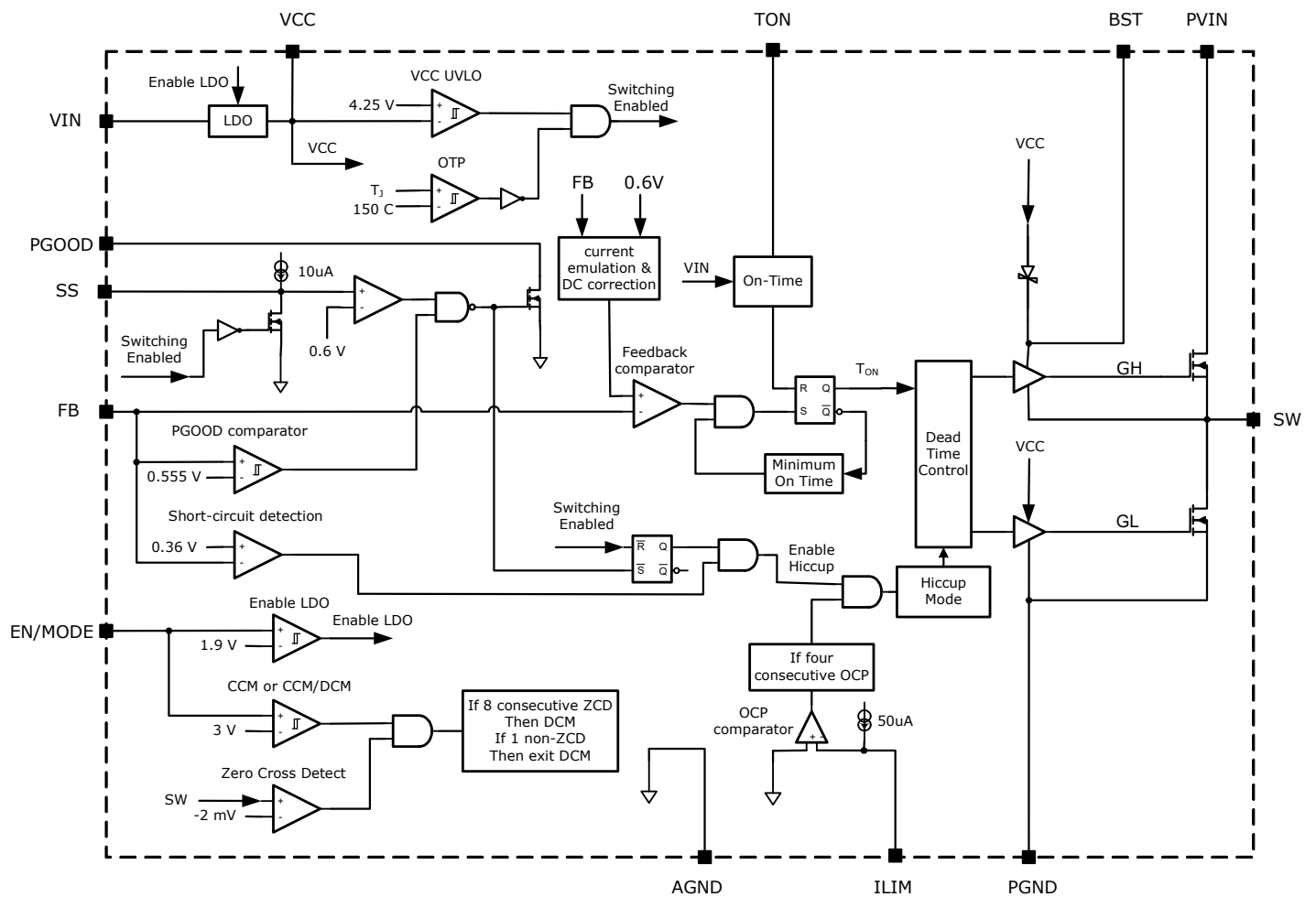


## Pin Assignments

| Pin No.               | Pin Name | Type  | Description   |
|-----------------------|----------|-------|---|
| 1                     | ILIM     | A     | Over-current protection programming. Connect with a resistor to SW.   |
| 2                     | EN/MODE  | I     | Precision enable pin. Pulling this pin above 1.9V will turn the regulator on and it will operate in CCM. If the voltage is raised above 3.0V then the regulator will operate in DCM/CCM depending on load |
| 3                     | TON      | A     | Constant on-time programming pin. Connect with a resistor to AGND.  |
| 4                     | SS       | A     | Soft-Start pin. Connect an external capacitor between SS and AGND to program the soft-start rate based on the 10uA internal source current.   |
| 5                     | PGOOD    | O, OD | Power-good output. This open-drain output is pulled low when $V_{OUT}$ is outside the regulation.   |
| 6                     | FB       | A     | Feedback input to feedback comparator. Connect with a set of resistors to VOUT and AGND in order to program $V_{OUT}$ .   |
| 7, 10, AGND Pad       | AGND     | A     | Signal ground for control circuitry. Connect AGND Pad with a short trace to pins 7 and 10.  |
| 8                     | VIN      | A     | Supply input for the regulator's LDO. Normally it is connected to PVIN.   |
| 9                     | VCC      | A     | The output of regulator's LDO. For operation using a 5V rail, VCC should be shorted to VIN.   |
| 11-14, 20, 29, SW Pad | SW       | PWR   | Switch node. Drain of the low-side N-channel MOSFET. Source of the high-side MOSFET is wire-bonded to the SW Pad. Pins 20 and 29 are internally connected to SW pad.                                      |
| 15-19, PGND Pad       | PGND     | PWR   | Ground of the power stage. Should be connected to the system's power ground plane. Source of the low-side MOSFET is wire-bonded to PGND Pad.  |
| 21-28, PVIN Pad       | PVIN     | PWR   | Input voltage for power stage. Drain of the high-side N-channel MOSFET.   |
| 30                    | BST      | A     | High-side driver supply pin. Connect a bootstrap capacitor between BST and pin 29.  |

Type: A = Analog, I = Input, O = Output, I/O = Input/Output, PWR = Power, OD = Open-Drain

Functional Block Diagram



### Typical Performance Characteristics

Unless otherwise noted:  $V_{IN} = 24V$ ,  $V_{OUT} = 3.3V$ ,  $I_{OUT} = 8A$ ,  $f = 400kHz$ ,  $T_A = 25^\circ C$ . Schematic from the application information section.

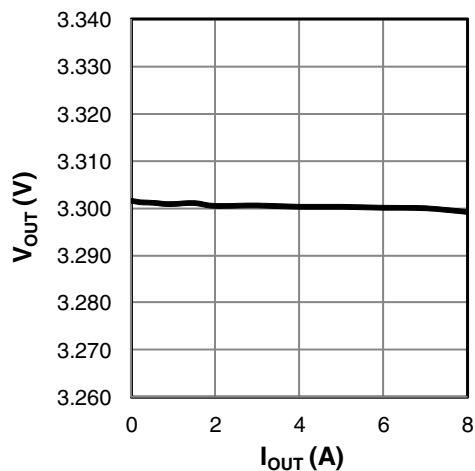


Figure 1: Load Regulation

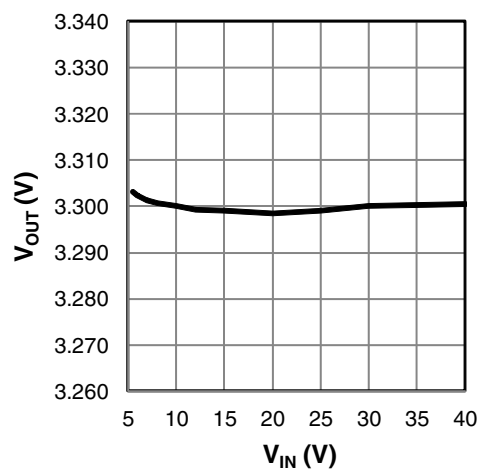


Figure 2: Line regulation

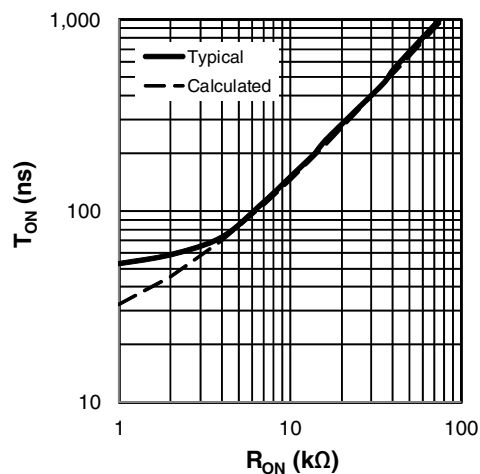


Figure 3:  $T_{ON}$  versus  $R_{ON}$

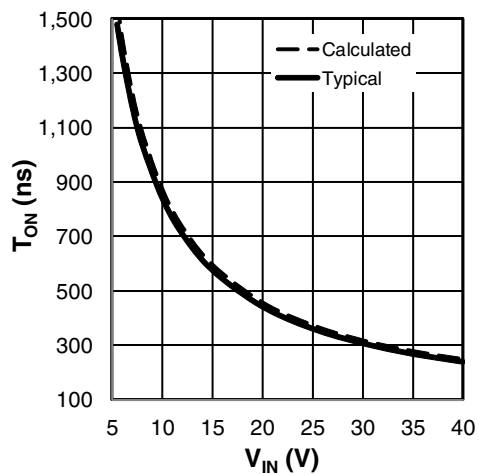


Figure 4:  $T_{ON}$  versus  $V_{IN}$ ,  $R_{ON} = 27.4k$

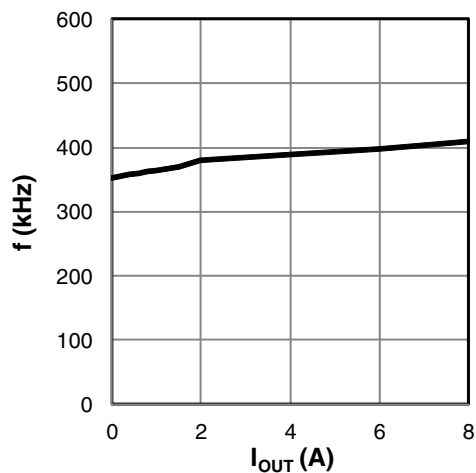


Figure 5: frequency versus  $I_{OUT}$

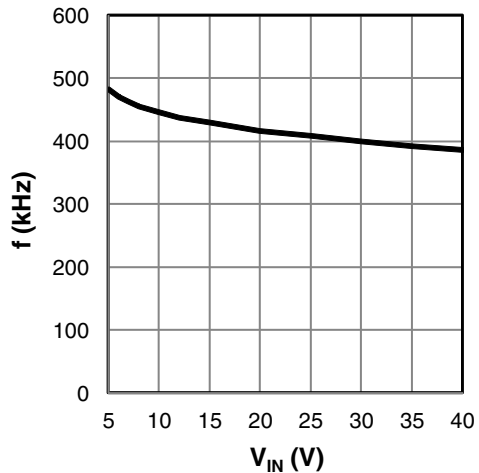


Figure 6: frequency versus  $V_{IN}$



Typical Performance Characteristics

Unless otherwise noted:  $V_{IN} = 24V$ ,  $V_{OUT} = 3.3V$ ,  $I_{OUT} = 8A$ ,  $f = 400kHz$ ,  $T_A = 25^\circ C$ . Schematic from the application information section.

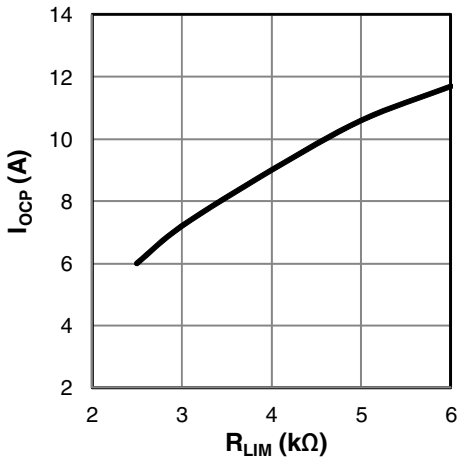


Figure 7: XR76208  $I_{OCP}$  versus  $R_{LIM}$

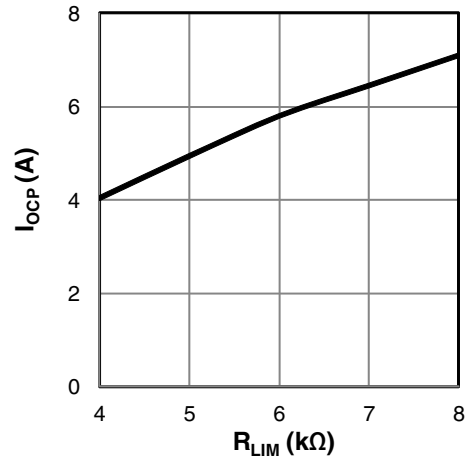


Figure 8: XR76205  $I_{OCP}$  versus  $R_{LIM}$

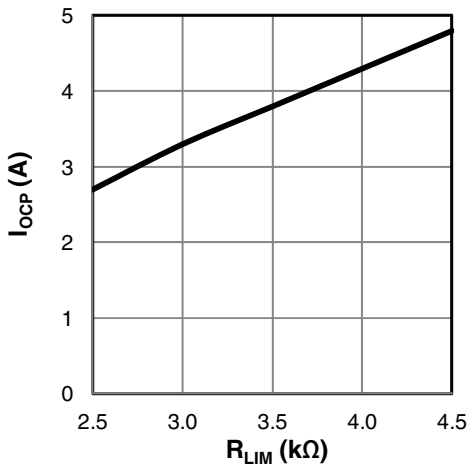


Figure 9: XR76203  $I_{OCP}$  versus  $R_{LIM}$

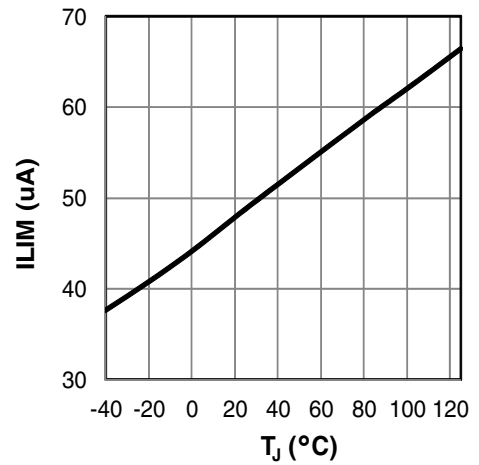


Figure 10:  $I_{LIM}$  versus temperature

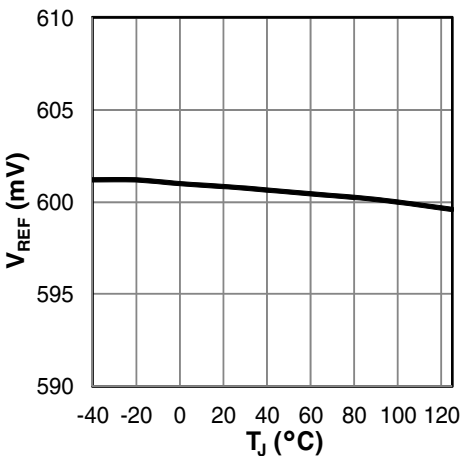


Figure 11:  $V_{REF}$  versus temperature

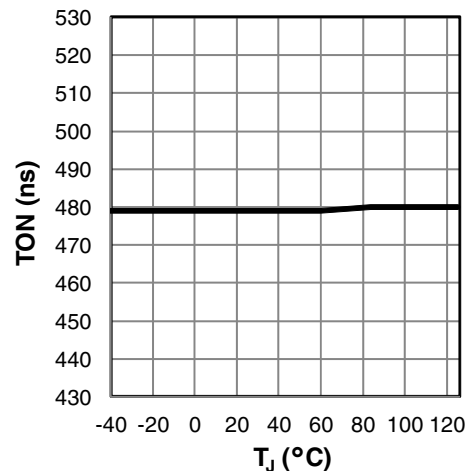


Figure 12:  $T_{ON}$  versus temperature,  $R_{ON} = 35.7k\Omega$

### Typical Performance Characteristics

Unless otherwise noted:  $V_{IN} = 24V$ ,  $V_{OUT} = 3.3V$ ,  $I_{OUT} = 8A$ ,  $f = 400kHz$ ,  $T_A = 25^\circ C$ . Schematic from the application information section.

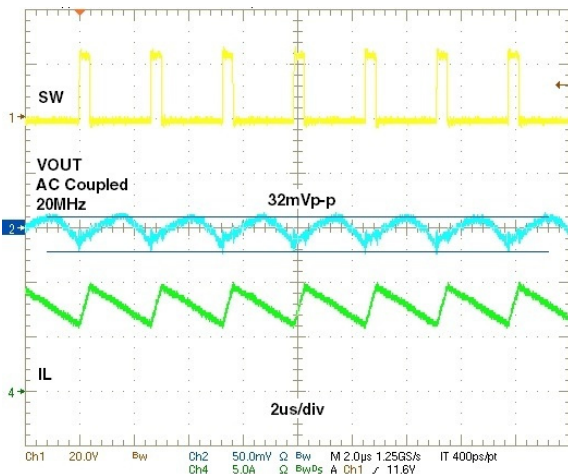


Figure 13: Steady state,  $I_{OUT} = 8A$

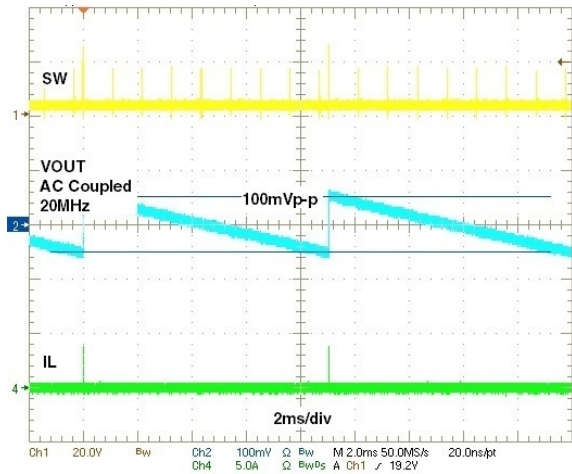


Figure 14: Steady state, DCM,  $I_{OUT} = 0A$

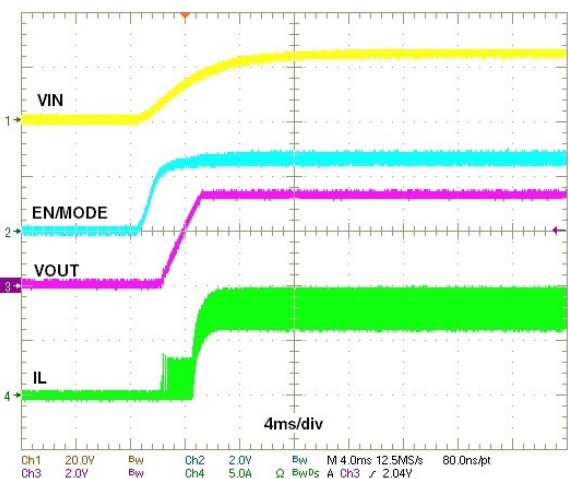


Figure 15: Power up, Forced CCM

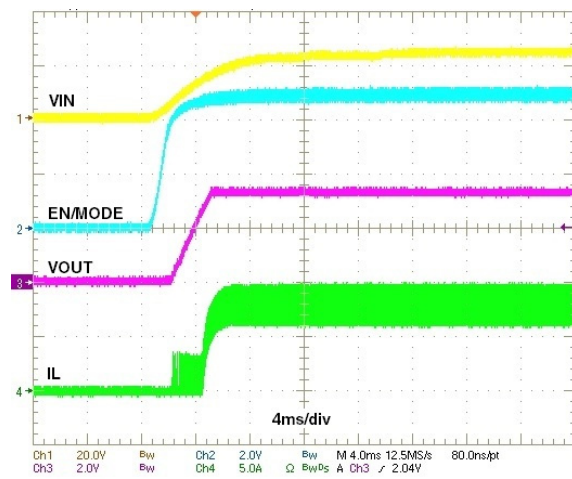


Figure 16: Power up, DCM/CCM

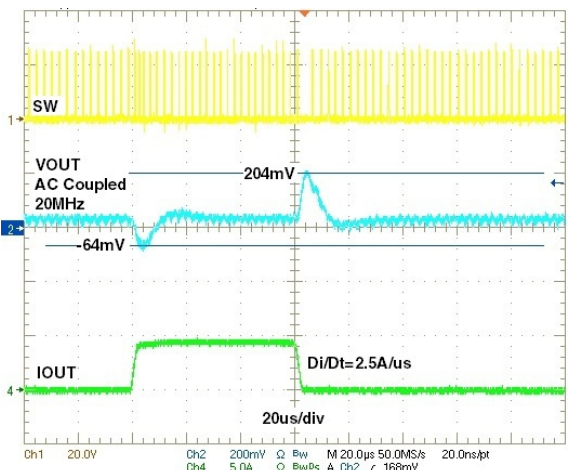


Figure 17: Load step, Forced CCM, 0A-4A-0A

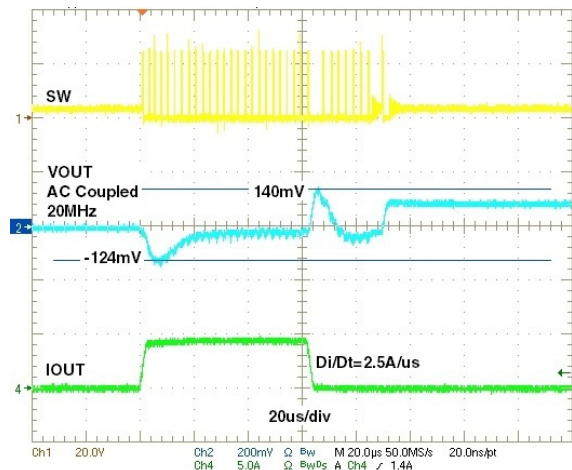


Figure 18: Load step, DCM/CCM, 0A-4A-0A

## Efficiency

Unless otherwise noted:  $T_{AMBIENT} = 25^{\circ}C$ , No Air flow,  $f=400kHz$ , Inductor losses are included, Schematic from the application information section.

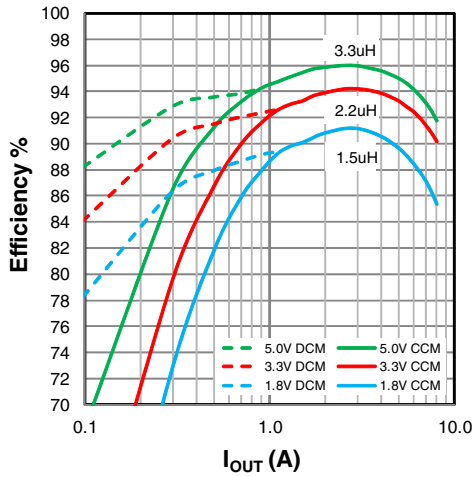


Figure 19: XR76208 efficiency,  $V_{IN}=12V$

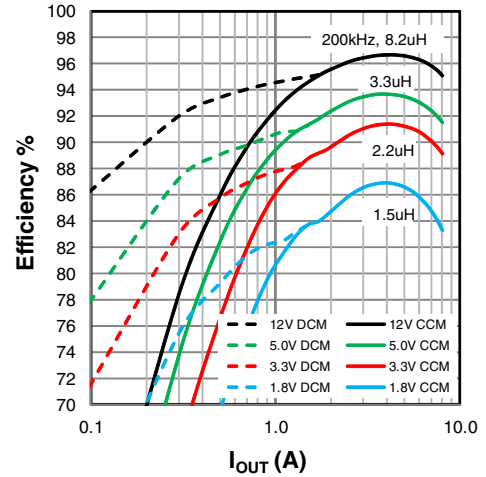


Figure 20: XR76208 efficiency,  $V_{IN}=24V$

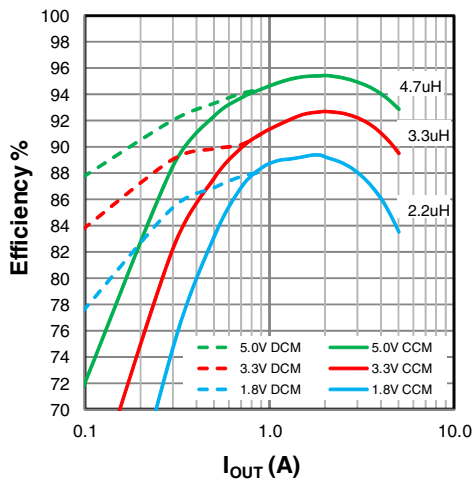


Figure 21: XR76205 efficiency,  $V_{IN}=12V$

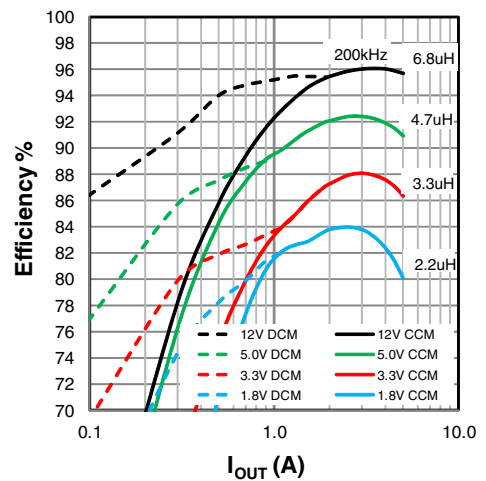


Figure 22: XR76205 efficiency,  $V_{IN}=24V$

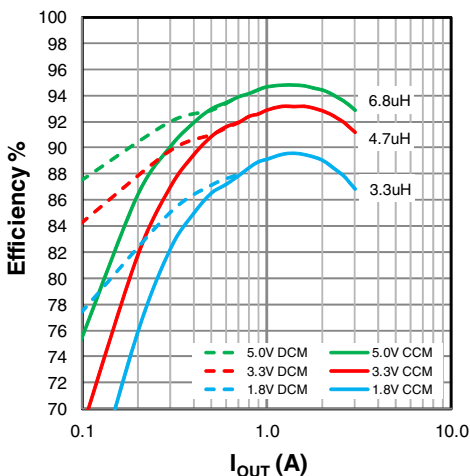


Figure 23: XR76203 efficiency,  $V_{IN}=12V$

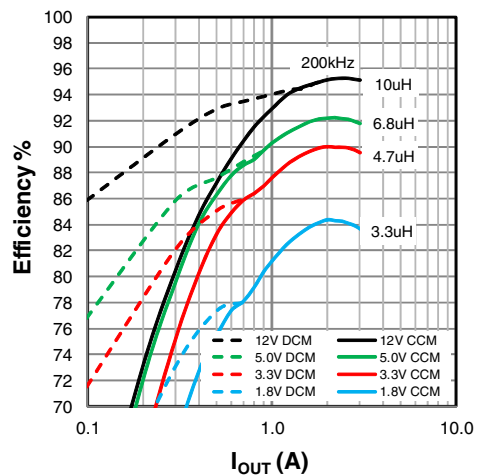


Figure 24: XR76203 efficiency,  $V_{IN}=24V$

## Thermal Derating

Unless otherwise noted: No Air flow,  $f=400\text{kHz}$ , Schematic from the application information section.

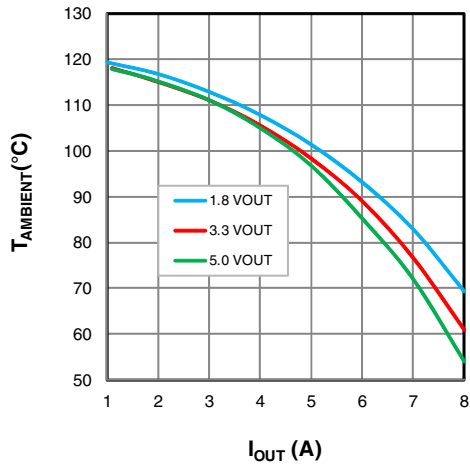


Figure 25: XR76208,  $V_{IN}=12\text{V}$

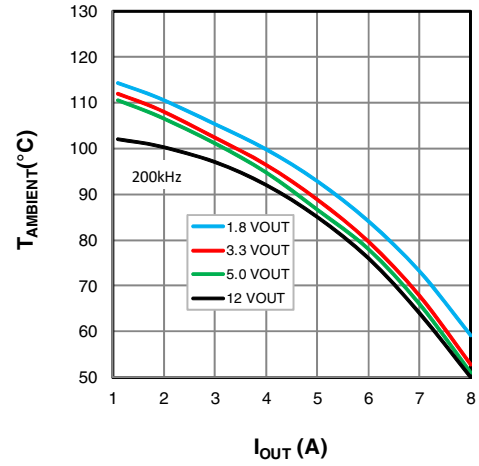


Figure 26: XR76208,  $V_{IN}=24\text{V}$

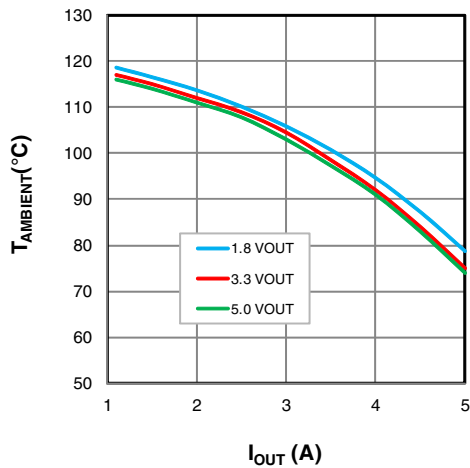


Figure 27: XR76205,  $V_{IN}=12\text{V}$

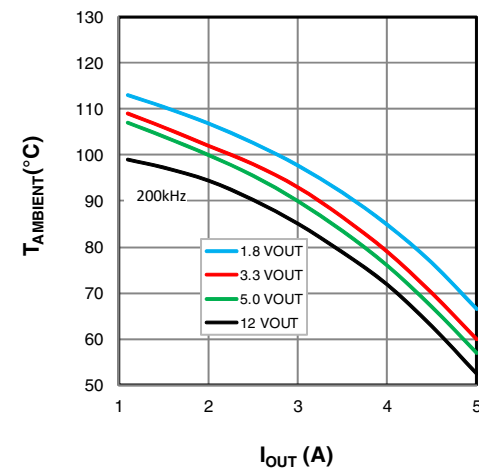


Figure 28: XR76205,  $V_{IN}=24\text{V}$

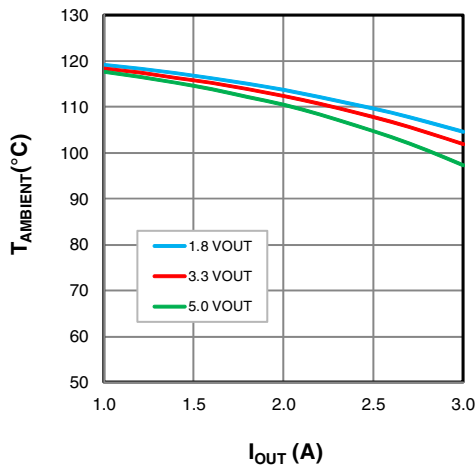


Figure 29: XR76203,  $V_{IN}=12\text{V}$

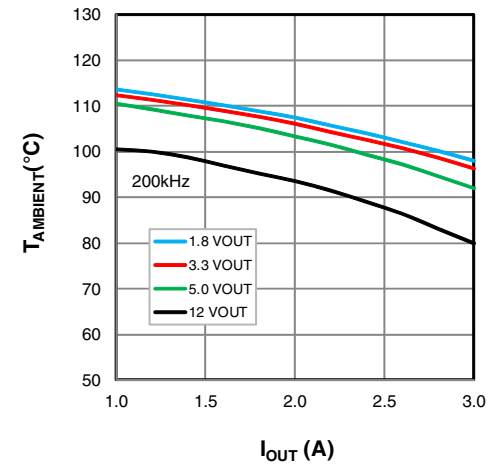


Figure 30: XR76203,  $V_{IN}=24\text{V}$

## Functional Description

XR76203, XR76205 and XR76208 are synchronous step-down proprietary emulated current-mode Constant On-Time (COT) regulators. The on-time, which is programmed via  $R_{ON}$ , is inversely proportional to  $V_{IN}$  and maintains a nearly constant frequency. The emulated current-mode control is stable with ceramic output capacitors.

Each switching cycle begins with GH signal turning on the high-side (control) FET for a preprogrammed time. At the end of the on-time, the high-side FET is turned off and the low-side (synchronous) FET is turned on for a preset minimum time (250ns nominal). This parameter is termed Minimum Off-Time. After the minimum off-time, the voltage at the feedback pin FB is compared to an internal voltage ramp at the feedback comparator. When  $V_{FB}$  drops below the ramp voltage, the high-side FET is turned on and the cycle repeats. This voltage ramp constitutes an emulated current ramp and makes possible the use of ceramic capacitors, in addition to other capacitor types, for output filtering.

### Enable/Mode Input (EN/MODE)

EN/MODE pin accepts a tri-level signal that is used to control turn on/off. It also selects between two modes of operation: 'Forced CCM' and 'DCM/CCM'. If EN is pulled below 1.8V, the Regulator shuts down. A voltage between 2.0V and 2.8V selects the Forced CCM mode which will run the Regulator in continuous conduction at all times. A voltage higher than 3.1V selects the DCM/CCM mode which will run the Regulator in discontinuous conduction at light loads.

### Selecting the Forced CCM Mode

In order to set the Regulator to operate in Forced CCM, a voltage between 2.0V and 2.8V must be applied to EN/MODE. This can be achieved with an external control signal that meets the above voltage requirement. Where an external control is not available, the EN/MODE can be derived from  $V_{IN}$ . If  $V_{IN}$  is well regulated, use a resistor divider and set the voltage to 2.5V. If  $V_{IN}$  varies over a wide range, the circuit shown in Figure 31 can be used to generate the required voltage. Note that at  $V_{IN}$  of 5.5V and 40V the nominal Zener voltage is 4.0V and 5.0V respectively. Therefore for  $V_{IN}$  in the range of 5.5V to 40V, the circuit shown in Figure 31 will generate  $V_{EN}$  required for Forced CCM.

### Selecting the DCM/CCM Mode

In order to set the Regulator operation to DCM/CCM, a voltage between 3.1V and 5.5V must be applied to EN/MODE pin. If an external control signal is available, it can be directly connected to EN/MODE. In applications

where an external control is not available, EN/MODE input can be derived from  $V_{IN}$ . If  $V_{IN}$  is well regulated, use a resistor divider and set the voltage to 4V. If  $V_{IN}$  varies over a wide range, the circuit shown in Figure 32 can be used to generate the required voltage.

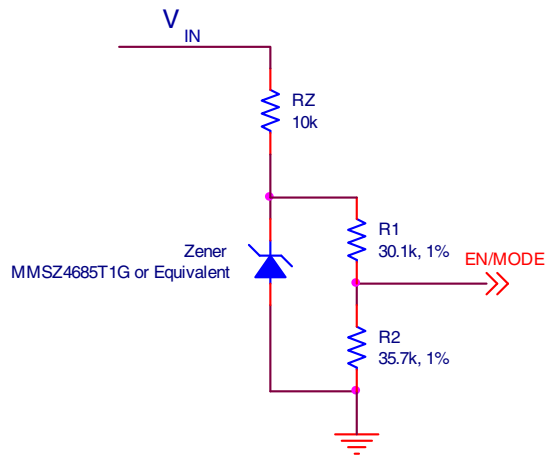


Figure 31: Selecting Forced CCM by deriving EN/MODE from  $V_{IN}$

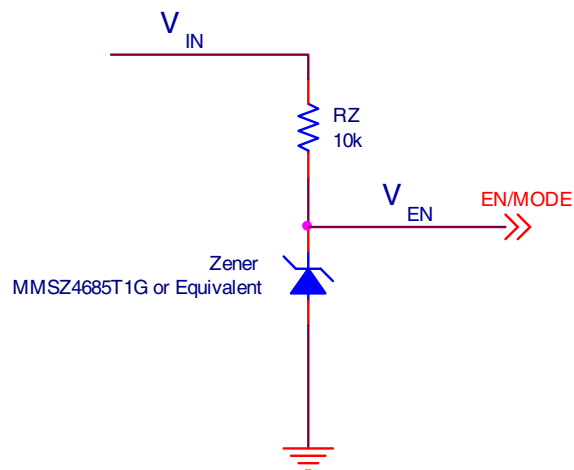


Figure 32: Selecting DCM/CCM by deriving EN/MODE from  $V_{IN}$

### Programming the On-Time

The On-Time  $T_{ON}$  is programmed via resistor  $R_{ON}$  according to following equation:

$$R_{ON} = \frac{V_{IN} \times [T_{ON} - (25 \times 10^{-9})]}{3.05 \times 10^{-10}}$$

where  $T_{ON}$  is calculated from:

$$T_{ON} = \frac{V_{OUT}}{V_{IN} \times f \times Eff}$$

where:

$f$  is the desired switching frequency at nominal  $I_{OUT}$

$Eff$  is the Regulator efficiency corresponding to nominal  $I_{OUT}$  shown in Figures 19-24

Substituting for  $T_{ON}$  in the first equation we get:

$$R_{ON} = \frac{\left(\frac{V_{OUT}}{f \times Eff}\right) - [(25 \times 10^{-9}) \times V_{IN}]}{3.05 \times 10^{-10}}$$

### Over-Current Protection (OCP)

If load current exceeds the programmed over-current,  $I_{OCP}$  for four consecutive switching cycles, the Module enters hiccup mode of operation. In hiccup, the MOSFET gates are turned off for 110ms (hiccup timeout). Following the hiccup timeout, a soft-start is attempted. If OCP persists, hiccup timeout will repeat. The Module will remain in hiccup mode until load current is reduced below the programmed  $I_{OCP}$ . In order to program the over-current protection, use the following equation:

$$RLIM = \frac{(I_{OCP} \times RDS) + 8mV}{ILIM}$$

Where:

$RLIM$  is resistor value for programming  $I_{OCP}$

$I_{OCP}$  is the over-current threshold to be programmed

$RDS$  is the MOSFET rated On Resistance; XR76208=21.5m $\Omega$ , XR76205=59m $\Omega$ , XR76203=59m $\Omega$

8mV is the OCP comparator maximum offset

$ILIM$  is the internal current that generates the necessary OCP comparator threshold (use 45 $\mu$ A).

Note that  $ILIM$  has a positive temperature coefficient of 0.4%/ $^{\circ}$ C (Figure 10). This is meant to roughly match and compensate for positive temperature coefficient of the synchronous FET. Graph of typical  $I_{OCP}$  versus  $RLIM$  is shown in Figure 7-9. Maximum allowable  $RLIM$  for XR76205 is 8.06k $\Omega$ .

### Short-Circuit Protection (SCP)

If the output voltage drops below 60% of its programmed value, the Module will enter hiccup mode. Hiccup will persist until short-circuit is removed. SCP circuit becomes active after PGOOD asserts high.

### Over-Temperature (OTP)

OTP triggers at a nominal die temperature of 150 $^{\circ}$ C. The gate of switching FET and synchronous FET are turned off. When die temperature cools down to 135 $^{\circ}$ C, soft-start is initiated and operation resumes.

### Programming the Output Voltage

Use an external voltage divider as shown in the Application Circuit to program the output voltage  $V_{OUT}$ .

$$R1 = R2 \times \left(\frac{V_{OUT}}{0.6} - 1\right)$$

where  $R2$  has a nominal value of 2k $\Omega$ .

### Programming the Soft-start

Place a capacitor  $CSS$  between the SS and AGND pins to program the soft-start. In order to program a soft-start time of  $TSS$ , calculate the required capacitance  $CSS$  from the following equation:

$$CSS = TSS \times \left(\frac{10\mu A}{0.6V}\right)$$

### Feed-Forward Capacitor ( $C_{FF}$ )

A feed-forward capacitor ( $C_{FF}$ ) may be necessary depending on the Equivalent Series Resistance (ESR) of  $C_{OUT}$ . If only ceramic output capacitors are used for  $C_{OUT}$  then a  $C_{FF}$  is necessary. Calculate  $C_{FF}$  from:

$$C_{FF} = \frac{1}{2 \times \pi \times R1 \times 7 \times f_{LC}}$$

where:

$R1$  is the resistor that  $C_{FF}$  is placed in parallel with

$f_{LC}$  is the frequency of output filter double-pole

$f_{LC}$  frequency must be less than 11kHz when using ceramic  $C_{OUT}$ . If necessary, increase L and/or  $C_{OUT}$  in order to meet this constraint.

When using capacitors with higher ESR, such as PANASONIC TPE series, a  $C_{FF}$  is not required provided following conditions are met:

1. The frequency of output filter LC double-pole  $f_{LC}$  should be less than 11kHz.
2. The frequency of ESR Zero  $f_{Zero,ESR}$  should be at least five times larger than  $f_{LC}$ .

Note that if  $f_{Zero,ESR}$  is less than  $5 \times f_{LC}$ , then it is recommended to set the  $f_{LC}$  at less than 2kHz.  $C_{FF}$  is still not required.

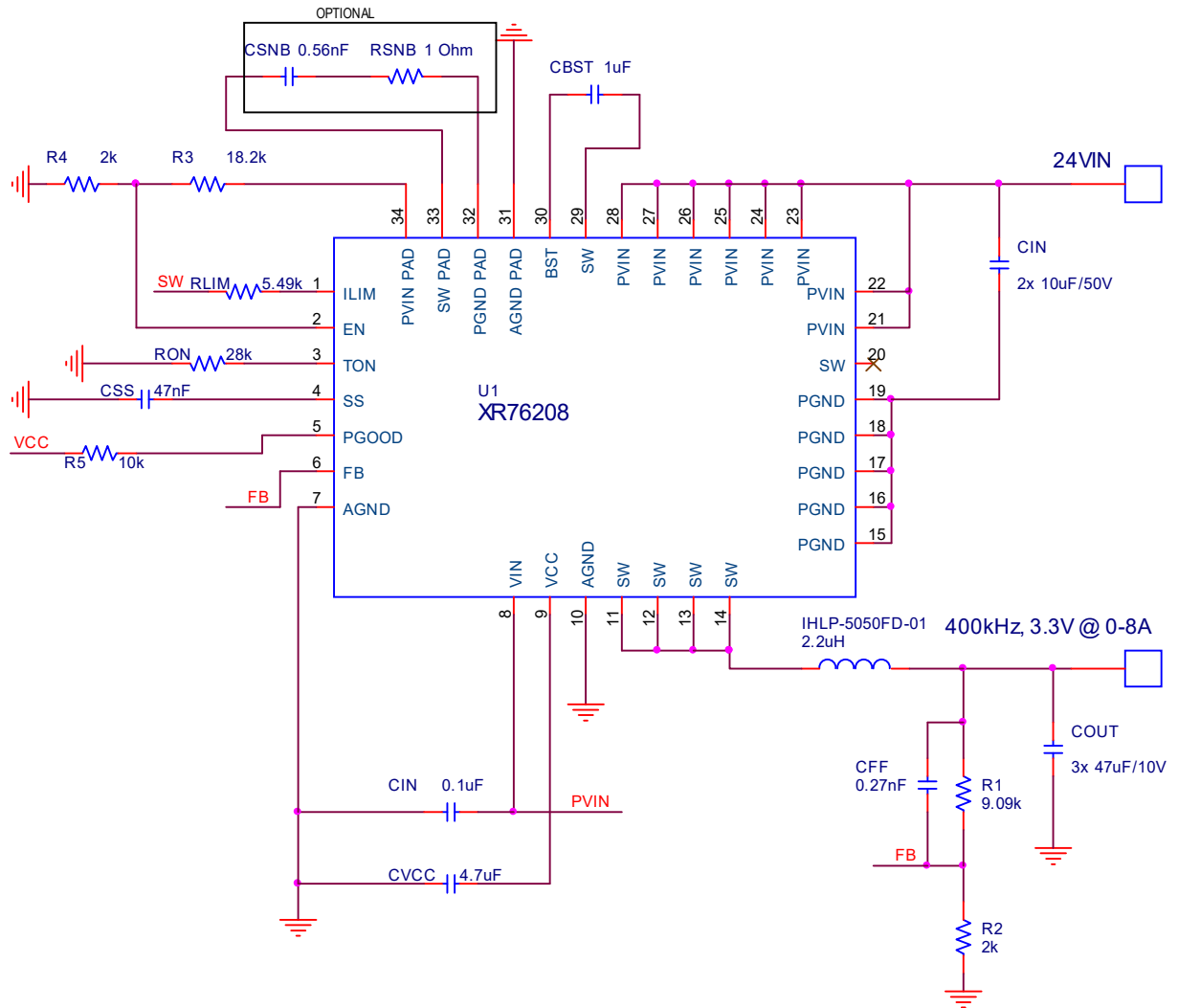
### Maximum Allowable Voltage Ripple at FB pin

Note that the steady-state voltage ripple at feedback pin FB ( $V_{FB,RIPPLE}$ ) must not exceed 50mV in order for the Regulator to function correctly. If  $V_{FB,RIPPLE}$  is larger than 50mV then  $C_{OUT}$  should be increased as necessary in order to keep the  $V_{FB,RIPPLE}$  below 50mV.

### Feed-Forward Resistor ( $R_{FF}$ )

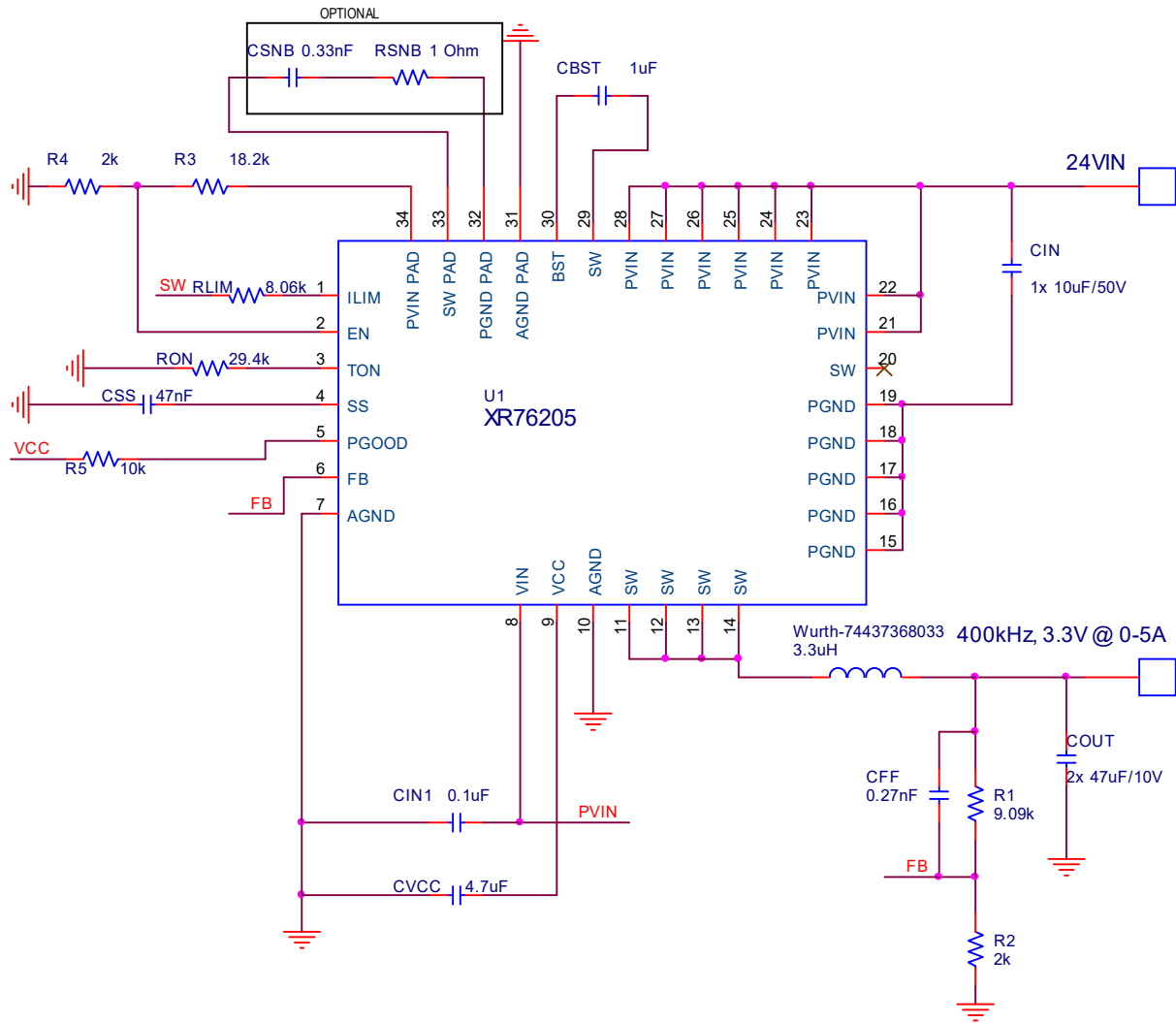
Poor PCB layout can cause FET switching noise at the output and may couple to the FB pin via  $C_{FF}$ . Excessive noise at FB will cause poor load regulation. To solve this problem place a resistor  $R_{FF}$  in series with  $C_{FF}$ .  $R_{FF}$  value up to 2% of  $R1$  is acceptable.

Application Circuit, XR76208

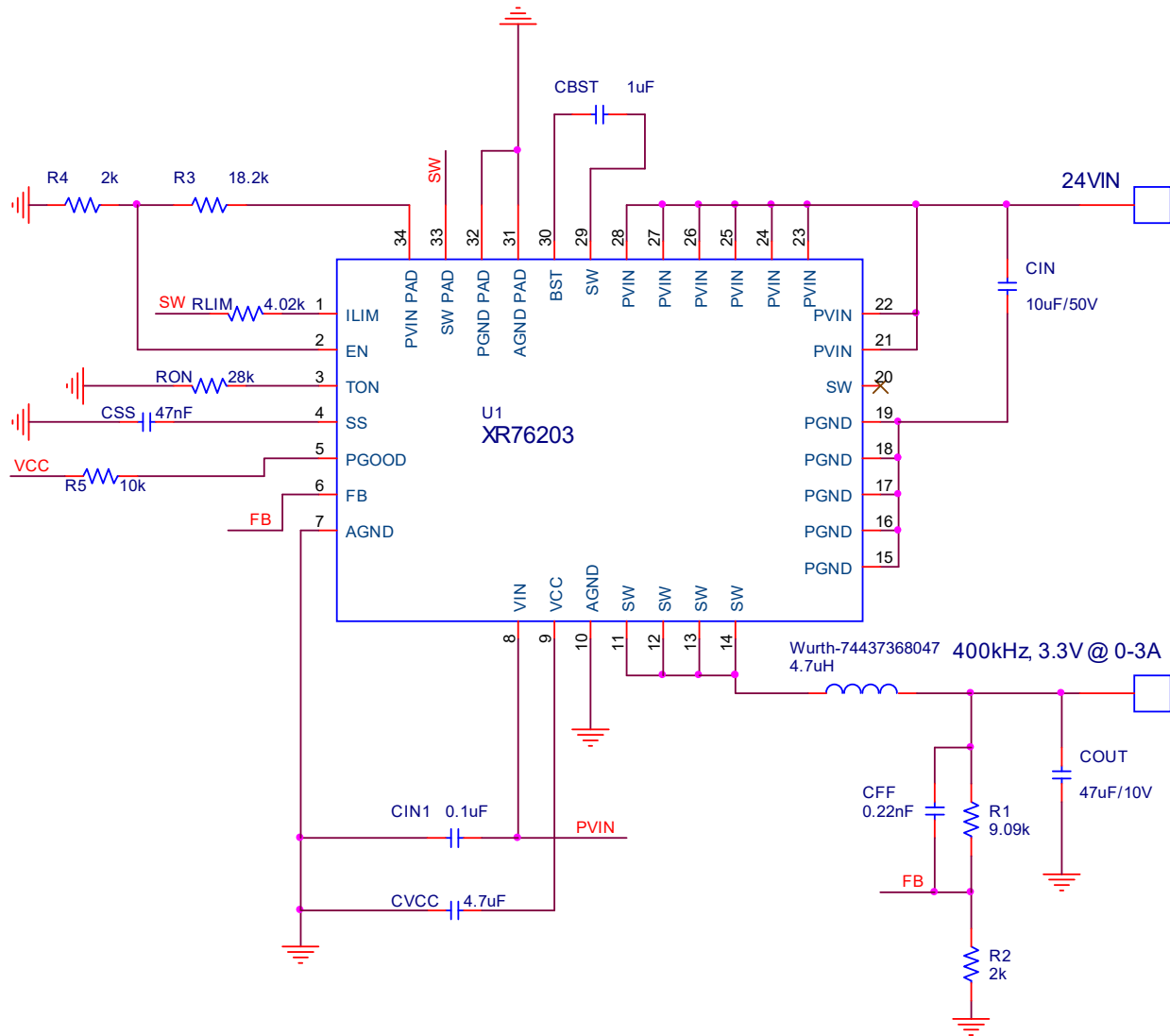




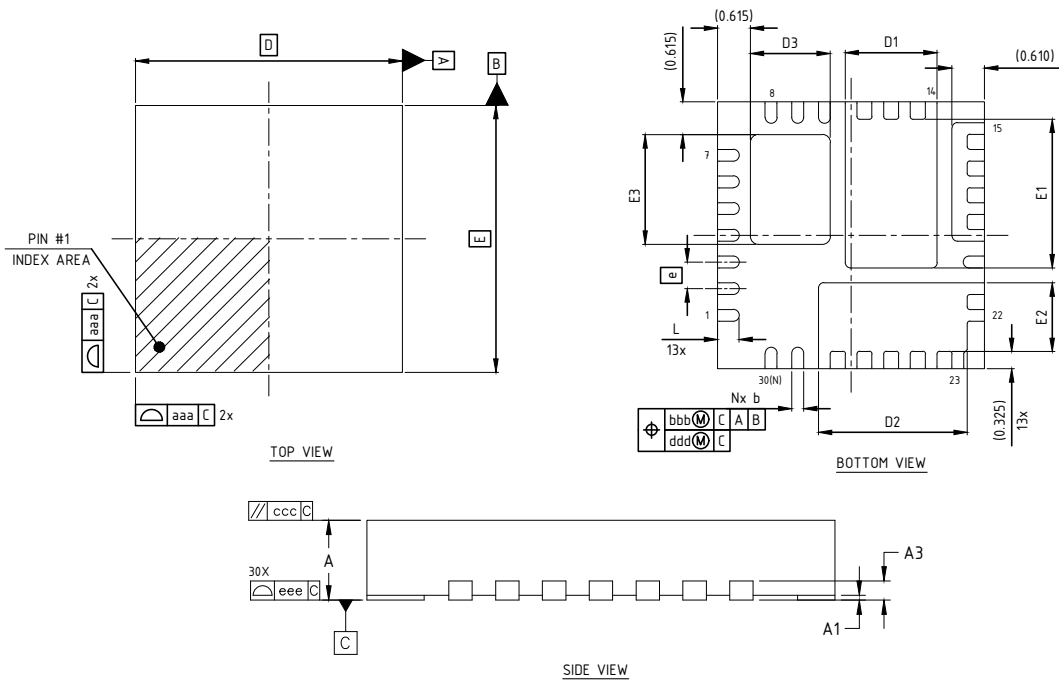
Application Circuit, XR76205



Application Circuit, XR76203



Mechanical Dimensions



| Dimension Table  |           |         |         |
|------------------|-----------|---------|---------|
| Thickness Symbol | MINIMUM   | NOMINAL | MAXIMUM |
| A                | 0.80      | 0.90    | 1.00    |
| A1               | 0.00      | 0.02    | 0.05    |
| A3               | 0.20 Ref. |         |         |
| b                | 0.18      | 0.25    | 0.30    |
| D                | 5.00 BSC  |         |         |
| E                | 5.00 BSC  |         |         |
| e                | 0.50 BSC  |         |         |
| D1               | 1.570     | 1.720   | 1.820   |
| E1               | 2.635     | 2.785   | 2.885   |
| D2               | 2.635     | 2.785   | 2.885   |
| E2               | 1.135     | 1.285   | 1.385   |
| D3               | 1.345     | 1.495   | 1.595   |
| E3               | 1.903     | 2.053   | 2.153   |
| L                | 0.30      | 0.40    | 0.50    |
| aaa              | 0.05      |         |         |
| bbb              | 0.10      |         |         |
| ccc              | 0.10      |         |         |
| ddd              | 0.05      |         |         |
| eee              | 0.08      |         |         |
| N                | 30        |         |         |

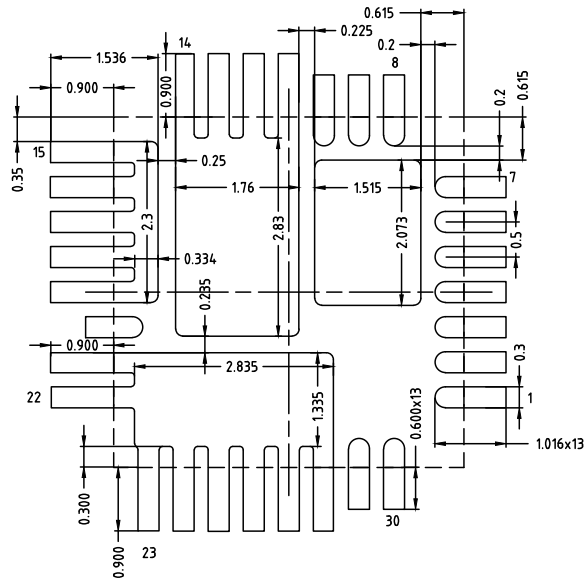
TERMINAL DETAIL

NOTE : ALL DIMENSIONS ARE IN MILLIMETERS, ANGLES ARE IN DEGREES.

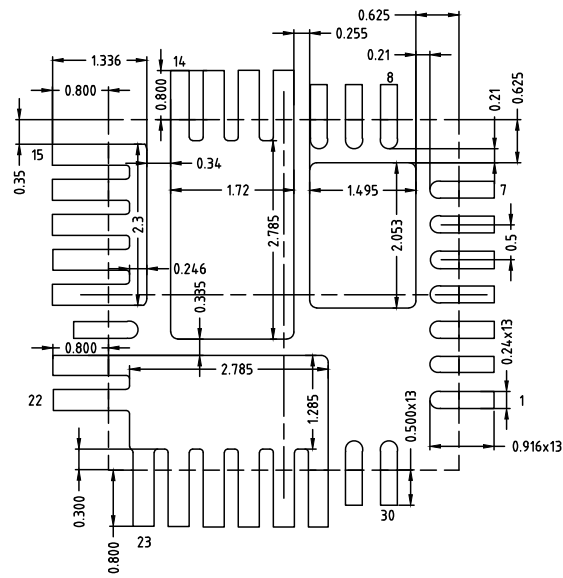
Drawing No.: POD-0000018

Revision: B

Recommended Land Pattern and Stencil



TYPICAL RECOMMENDED LAND PATTERN



TYPICAL RECOMMENDED STENCIL

NOTE : ALL DIMENSIONS ARE IN MILLIMETERS, ANGLES ARE IN DEGREES.

Drawing No.: POD-0000018

Revision: B

Ordering Information<sup>(1)</sup>

| Part Number   | Operating Temperature Range     | Lead-Free          | Package   | Packaging Method |
|---------------|---------------------------------|--------------------|-----------|------------------|
| XR76208EL-F   | -40°C ≤ T <sub>J</sub> ≤ +125°C | Yes <sup>(2)</sup> | 5x5mm QFN | Tray             |
| XR76208ELTR-F |                                 |                    |           | Tape and Reel    |
| XR76208EVB    | XR76208 Evaluation Board        |                    |           |                  |
| XR76205EL-F   | -40°C ≤ T <sub>J</sub> ≤ +125°C | Yes <sup>(2)</sup> | 5x5mm QFN | Tray             |
| XR76205ELTR-F |                                 |                    |           | Tape and Reel    |
| XR76205EVB    | XR76205 Evaluation Board        |                    |           |                  |
| XR76203EL-F   | -40°C ≤ T <sub>J</sub> ≤ +125°C | Yes <sup>(2)</sup> | 5x5mm QFN | Tray             |
| XR76203ELTR-F |                                 |                    |           | Tape and Reel    |
| XR76203EVB    | XR76203 Evaluation Board        |                    |           |                  |

## NOTES:

1. Refer to [www.exar.com/XR76203](http://www.exar.com/XR76203), [www.exar.com/XR76205](http://www.exar.com/XR76205), [www.exar.com/XR76208](http://www.exar.com/XR76208) for most up-to-date Ordering Information.
2. Visit [www.exar.com](http://www.exar.com) for additional information on Environmental Rating.

## Revision History

| Revision | Date          | Description   |
|----------|---------------|---|
| 1A       | February 2015 | Initial release   |
| 1B       | June 2018     | Update to MaxLinear logo. Update format and Ordering Information table. |
| 1C       | July 2018     | Add land pattern and stencil. Update Ordering Information table.        |

**Corporate Headquarters:**

5966 La Place Court  
Suite 100  
Carlsbad, CA 92008  
Tel.: +1 (760) 692-0711  
Fax: +1 (760) 444-8598  
[www.maxlinear.com](http://www.maxlinear.com)

**High Performance Analog:**

1060 Rincon Circle  
San Jose, CA 95131  
Tel.: +1 (669) 265-6100  
Fax: +1 (669) 265-6101  
[www.exar.com](http://www.exar.com)

The content of this document is furnished for informational use only, is subject to change without notice, and should not be construed as a commitment by MaxLinear, Inc.. MaxLinear, Inc. assumes no responsibility or liability for any errors or inaccuracies that may appear in the informational content contained in this guide. Complying with all applicable copyright laws is the responsibility of the user. Without limiting the rights under copyright, no part of this document may be reproduced into, stored in, or introduced into a retrieval system, or transmitted in any form or by any means (electronic, mechanical, photocopying, recording, or otherwise), or for any purpose, without the express written permission of MaxLinear, Inc.

MaxLinear, Inc. does not recommend the use of any of its products in life support applications where the failure or malfunction of the product can reasonably be expected to cause failure of the life support system or to significantly affect its safety or effectiveness. Products are not authorized for use in such applications unless MaxLinear, Inc. receives, in writing, assurances to its satisfaction that: (a) the risk of injury or damage has been minimized; (b) the user assumes all such risks; (c) potential liability of MaxLinear, Inc. is adequately protected under the circumstances.

MaxLinear, Inc. may have patents, patent applications, trademarks, copyrights, or other intellectual property rights covering subject matter in this document. Except as expressly provided in any written license agreement from MaxLinear, Inc., the furnishing of this document does not give you any license to these patents, trademarks, copyrights, or other intellectual property.

Company and product names may be registered trademarks or trademarks of the respective owners with which they are associated.

© 2015 - 2018 MaxLinear, Inc. All rights reserved

## Данный компонент на территории Российской Федерации

### Вы можете приобрести в компании MosChip.

Для оперативного оформления запроса Вам необходимо перейти по данной ссылке:

<http://moschip.ru/get-element>

Вы можете разместить у нас заказ для любого Вашего проекта, будь то серийное производство или разработка единичного прибора.

В нашем ассортименте представлены ведущие мировые производители активных и пассивных электронных компонентов.

Нашей специализацией является поставка электронной компонентной базы двойного назначения, продукции таких производителей как XILINX, Intel (ex.ALTERA), Vicor, Microchip, Texas Instruments, Analog Devices, Mini-Circuits, Amphenol, Glenair.

Сотрудничество с глобальными дистрибьюторами электронных компонентов, предоставляет возможность заказывать и получать с международных складов практически любой перечень компонентов в оптимальные для Вас сроки.

На всех этапах разработки и производства наши партнеры могут получить квалифицированную поддержку опытных инженеров.

Система менеджмента качества компании отвечает требованиям в соответствии с ГОСТ Р ИСО 9001, ГОСТ РВ 0015-002 и ЭС РД 009

### Офис по работе с юридическими лицами:

105318, г.Москва, ул.Щербаковская д.3, офис 1107, 1118, ДЦ «Щербаковский»

Телефон: +7 495 668-12-70 (многоканальный)

Факс: +7 495 668-12-70 (доб.304)

E-mail: [info@moschip.ru](mailto:info@moschip.ru)

Skype отдела продаж:

moschip.ru

moschip.ru\_4

moschip.ru\_6

moschip.ru\_9