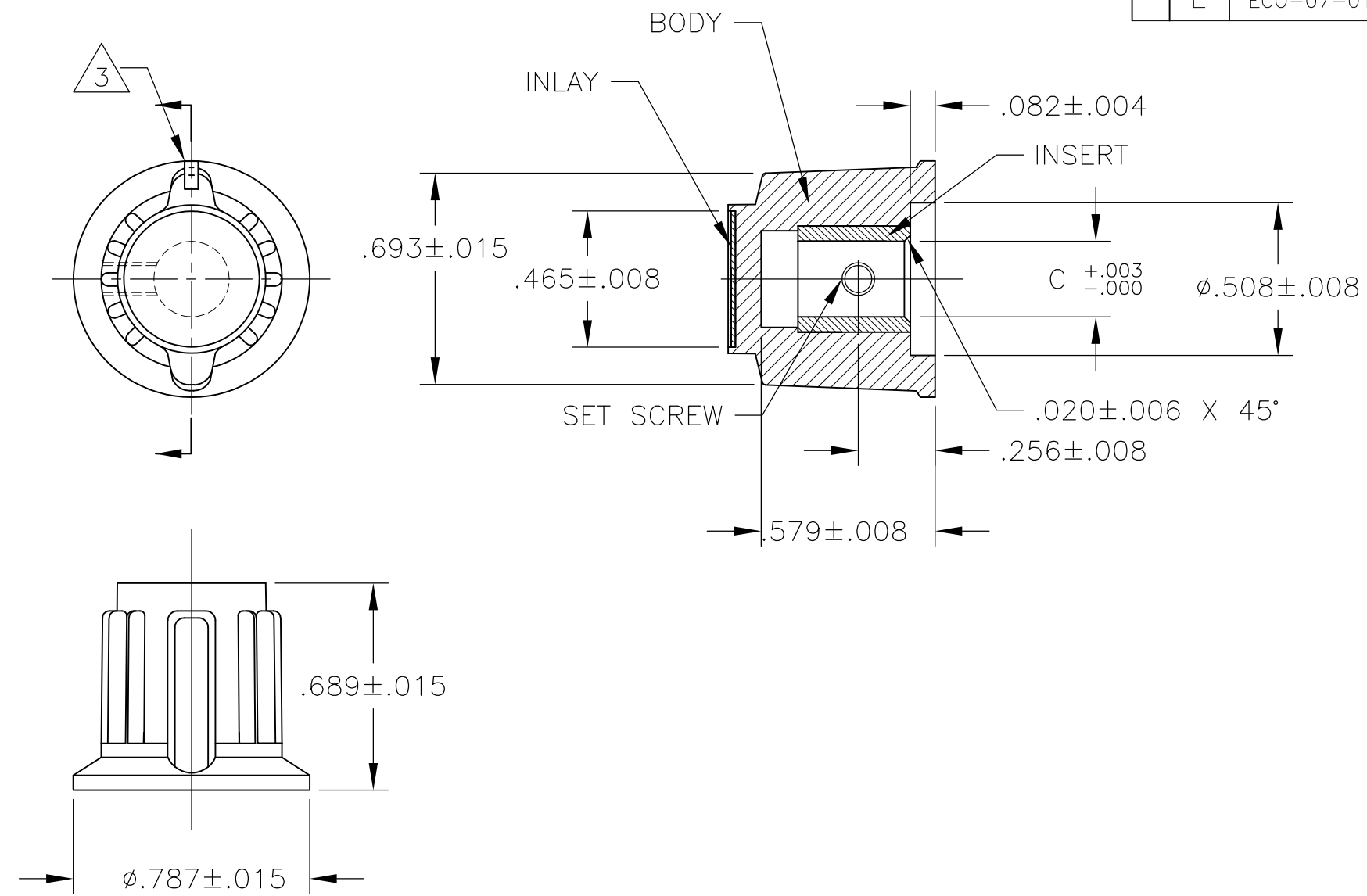


THIS DRAWING IS UNPUBLISHED. RELEASED FOR PUBLICATION
 © COPYRIGHT BY TYCO ELECTRONICS CORPORATION. ALL RIGHTS RESERVED.

| LOC | DIST | REVISIONS | | | | | |
|-----|------|-----------|-----|---------------|-----------|-----|------|
| AD | 00 | P | LTR | DESCRIPTION | DATE | DWN | APVD |
| | | | E | ECO-07-011727 | 27JUN2007 | RB | MW |



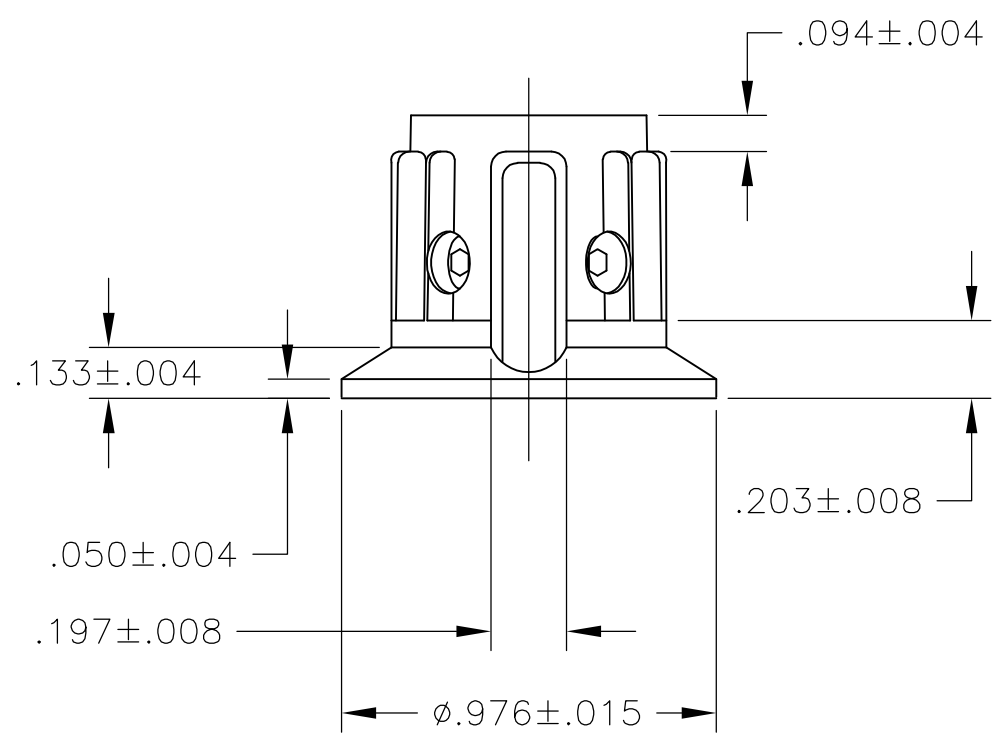
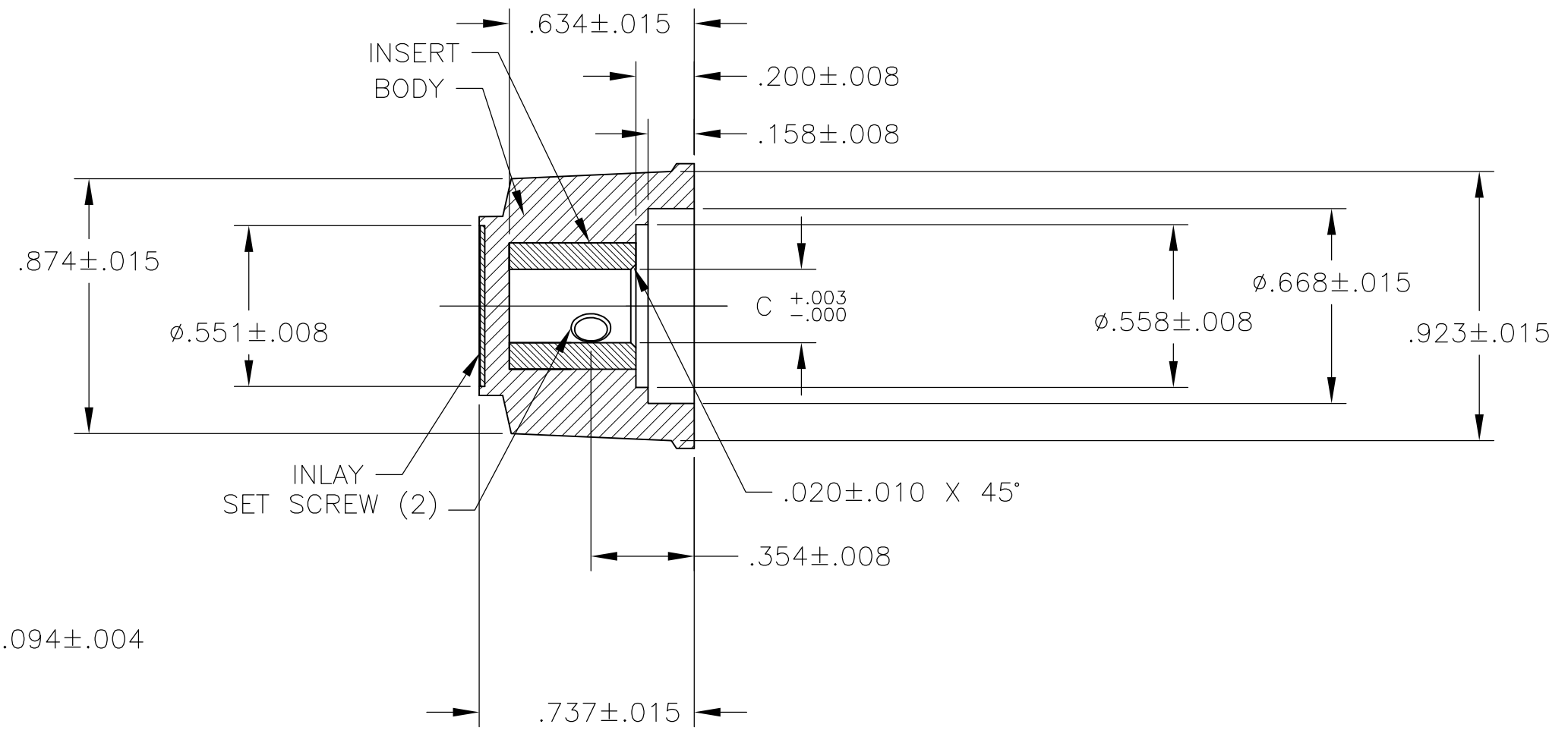
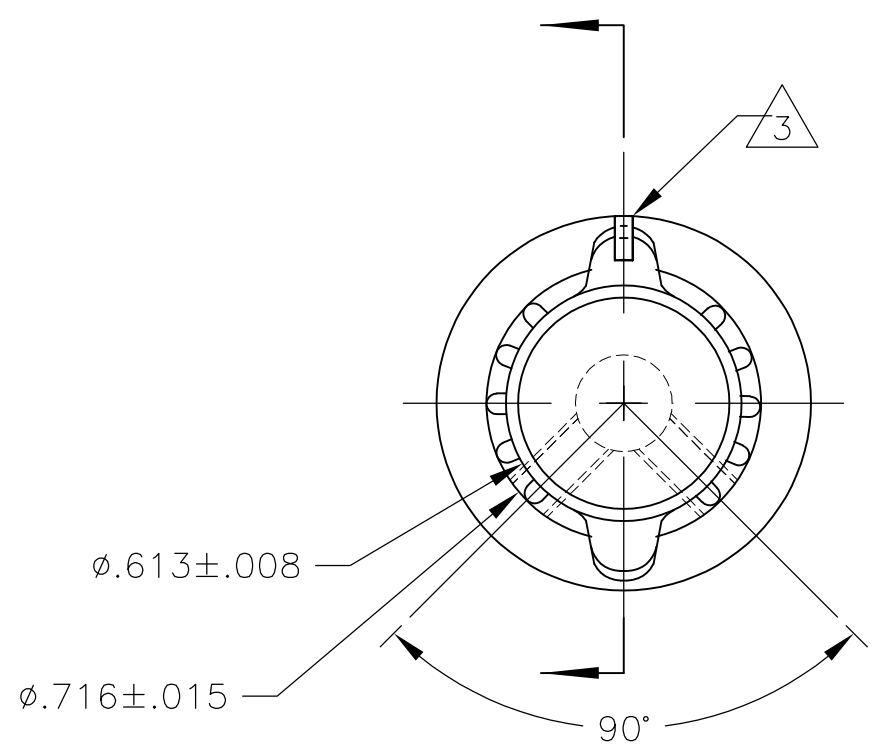
- MATERIAL AND FINISH:
 INLAY: ALUMINUM .016 THK., CLEAR ACYLIC COATED
 BODY: PHENOLIC, BLACK, HIGH GLOSS FINISH (SPE/SPI#A2)
 SET SCREW: 303 STAINLESS STEEL, BLACK ANODIZED
 INSERT: BRASS
- SET SCREW ARE UNC-2A, CUP POINT, HEX SOCKET TYPE.
- INDICATOR, PAINTED FULL, COLOR: WHITE; .030±.010 DEEP
- RETENTION FORCE OF INSERT IN KNOB BODY: 50 LBS MIN.

| | | | |
|--------------|------------|--------------|-------------|
| #6-32 X .125 | .126 | PKAP50B1/8 | 1-1437624-9 |
| #6-32 X .125 | .251 | PKAP50B1/4 | 1-1437624-8 |
| SET SCREW | C | MODEL NUMBER | PART NUMBER |
| | SHAFT HOLE | | |

| | | | | | | | | | | | | | | | | | | | | |
|---|--------|-------|--------------|---------|--|--------------------------|--------|-------|-----|-------|-----|--------|------|--------|------|--|--|-----------|------------|---------------|
| THIS DRAWING IS A CONTROLLED DOCUMENT. | | DWN | M.BINNER | 25MAR03 | Tyco Electronics Corporation Harrisburg, PA 17105 | | | | | | | | | | | | | | | |
| DIMENSIONS: INCHES | | CHK | NAME | | | PKA KNOB SERIES STANDARD | | | | | | | | | | | | | | |
| TOLERANCES UNLESS OTHERWISE SPECIFIED: | | APVD | PRODUCT SPEC | | | APPLICATION SPEC | | | | | | | | | | | | | | |
| <table border="0"> <tr><td>0 PLC</td><td>± -</td></tr> <tr><td>1 PLC</td><td>± -</td></tr> <tr><td>2 PLC</td><td>± -</td></tr> <tr><td>3 PLC</td><td>± -</td></tr> <tr><td>4 PLC</td><td>± -</td></tr> <tr><td>ANGLES</td><td>± 2'</td></tr> </table> | | 0 PLC | ± - | 1 PLC | ± - | 2 PLC | ± - | 3 PLC | ± - | 4 PLC | ± - | ANGLES | ± 2' | WEIGHT | SIZE | | | CAGE CODE | DRAWING NO | RESTRICTED TO |
| 0 PLC | ± - | | | | | | | | | | | | | | | | | | | |
| 1 PLC | ± - | | | | | | | | | | | | | | | | | | | |
| 2 PLC | ± - | | | | | | | | | | | | | | | | | | | |
| 3 PLC | ± - | | | | | | | | | | | | | | | | | | | |
| 4 PLC | ± - | | | | | | | | | | | | | | | | | | | |
| ANGLES | ± 2' | | | | | | | | | | | | | | | | | | | |
| MATERIAL | FINISH | | A3 | 00779 | C-1-1437624-8 | | | | | | | | | | | | | | | |
| CUSTOMER DRAWING | | | | SCALE | 2:1 | SHEET | 1 OF 3 | REV | E | | | | | | | | | | | |

THIS DRAWING IS UNPUBLISHED. RELEASED FOR PUBLICATION
 © COPYRIGHT BY TYCO ELECTRONICS CORPORATION. ALL RIGHTS RESERVED.

| LOC | DIST | REVISIONS | | | | | |
|-----|------|-----------|-----|-------------|------|-----|------|
| AD | 00 | P | LTR | DESCRIPTION | DATE | DWN | APVD |
| | | - | | SEE SHEET 1 | - | - | - |

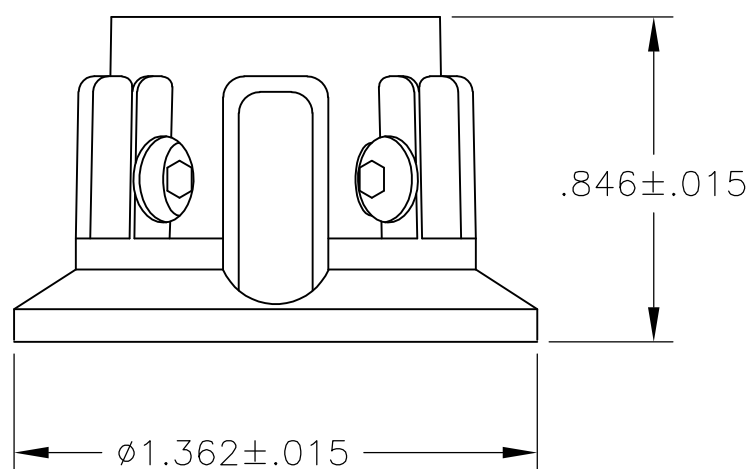
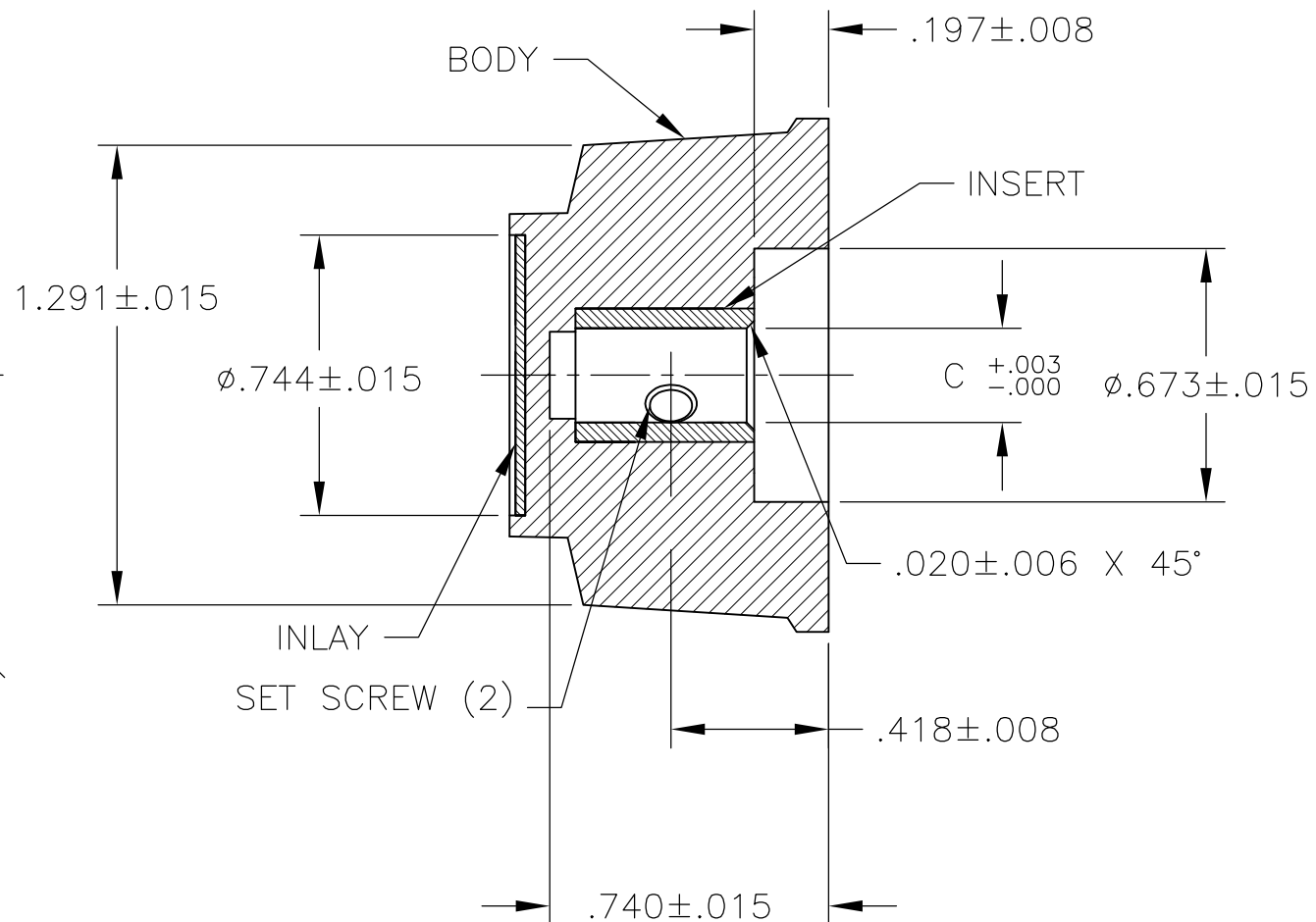
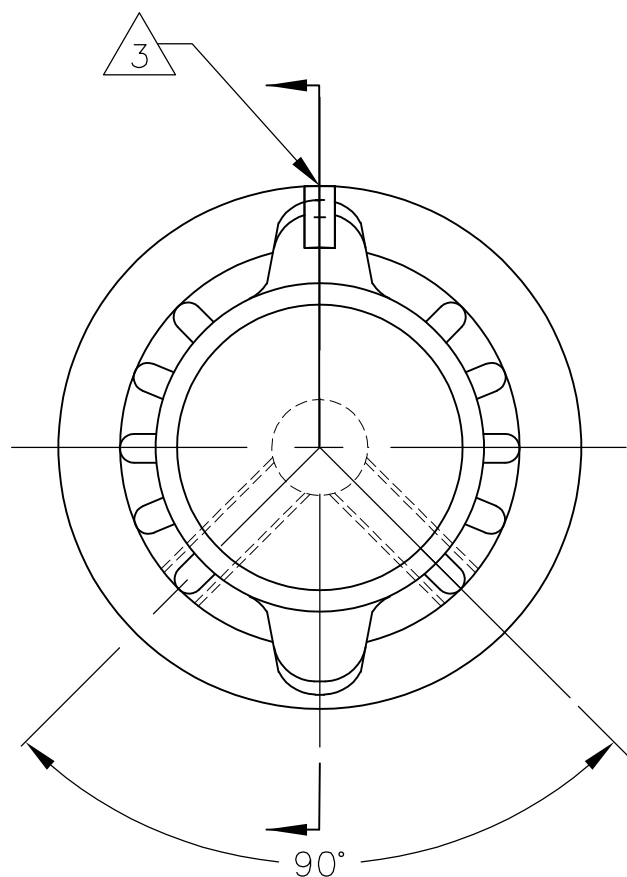


| | | | |
|--------------|--------------|--------------|-------------|
| #6-32 X .188 | .251 | PKAP70B1/4 | 2-1437624-0 |
| SET SCREW | C SHAFT HOLE | MODEL NUMBER | PART NUMBER |

| | | | | | | | | | | | | | | | | | |
|---|------|-------------------|-----------|--|-----------------|-------|-----|-------|-----|-------|-----|--------|------|-------------|--|------------|--------------------|
| THIS DRAWING IS A CONTROLLED DOCUMENT. | | DWN M.BINNER | 25MAR03 | Tyco Electronics Corporation Harrisburg, PA 17105 | | | | | | | | | | | | | |
| DIMENSIONS: INCHES | | CHK - | APVD - | NAME PKA KNOB SERIES STANDARD | | | | | | | | | | | | | |
| TOLERANCES UNLESS OTHERWISE SPECIFIED: | | PRODUCT SPEC - | | APPLICATION SPEC - | | | | | | | | | | | | | |
| <table border="0"> <tr><td>0 PLC</td><td>± -</td></tr> <tr><td>1 PLC</td><td>± -</td></tr> <tr><td>2 PLC</td><td>± -</td></tr> <tr><td>3 PLC</td><td>± -</td></tr> <tr><td>4 PLC</td><td>± -</td></tr> <tr><td>ANGLES</td><td>± 2'</td></tr> </table> | | 0 PLC | ± - | 1 PLC | ± - | 2 PLC | ± - | 3 PLC | ± - | 4 PLC | ± - | ANGLES | ± 2' | WEIGHT - | | SIZE A3 | CAGE CODE 00779 |
| 0 PLC | ± - | | | | | | | | | | | | | | | | |
| 1 PLC | ± - | | | | | | | | | | | | | | | | |
| 2 PLC | ± - | | | | | | | | | | | | | | | | |
| 3 PLC | ± - | | | | | | | | | | | | | | | | |
| 4 PLC | ± - | | | | | | | | | | | | | | | | |
| ANGLES | ± 2' | | | | | | | | | | | | | | | | |
| MATERIAL - | | FINISH - | | DRAWING NO C-1-1437624-8 | | | | | | | | | | | | | |
| CUSTOMER DRAWING | | | | SCALE 1:1 | SHEET 2 OF 3 | | | | | | | | | | | | |
| | | | | RESTRICTED TO - | REV E | | | | | | | | | | | | |

THIS DRAWING IS UNPUBLISHED. RELEASED FOR PUBLICATION
 © COPYRIGHT BY TYCO ELECTRONICS CORPORATION. ALL RIGHTS RESERVED.

| LOC | DIST | REVISIONS | | | |
|-----|------|-------------|------|-----|------|
| P | LTR | DESCRIPTION | DATE | DWN | APVD |
| AD | 00 | SEE SHEET 1 | - | - | - |



| | | | |
|-----------|--------------|--------------|-------------|
| #6-32 | .251 | PKAP90B1/4 | 2-1437624-2 |
| SET SCREW | C SHAFT HOLE | MODEL NUMBER | PART NUMBER |

| | | | | | |
|--|--|--|---------|--|-----|
| THIS DRAWING IS A CONTROLLED DOCUMENT. | | DWN M.BINNER | 25MAR03 | Tyco Electronics Corporation Harrisburg, PA 17105 | |
| DIMENSIONS: INCHES | | TOLERANCES UNLESS OTHERWISE SPECIFIED: | | NAME PKA KNOB SERIES STANDARD | |
| | | 0 PLC | ± - | PRODUCT SPEC | |
| | | 1 PLC | ± - | APPLICATION SPEC | |
| | | 2 PLC | ± - | SIZE | |
| | | 3 PLC | ± - | CAGE CODE | |
| | | 4 PLC | ± - | DRAWING NO | |
| | | ANGLES | ± 2' | RESTRICTED TO | |
| MATERIAL | | FINISH | | WEIGHT | |
| | | | | A3 00779 | |
| | | | | C-1-1437624-8 | |
| CUSTOMER DRAWING | | | SCALE | SHEET | REV |
| | | | 1:1 | 3 OF 3 | E |

Данный компонент на территории Российской Федерации

Вы можете приобрести в компании MosChip.

Для оперативного оформления запроса Вам необходимо перейти по данной ссылке:

<http://moschip.ru/get-element>

Вы можете разместить у нас заказ для любого Вашего проекта, будь то серийное производство или разработка единичного прибора.

В нашем ассортименте представлены ведущие мировые производители активных и пассивных электронных компонентов.

Нашей специализацией является поставка электронной компонентной базы двойного назначения, продукции таких производителей как XILINX, Intel (ex.ALTERA), Vicor, Microchip, Texas Instruments, Analog Devices, Mini-Circuits, Amphenol, Glenair.

Сотрудничество с глобальными дистрибьюторами электронных компонентов, предоставляет возможность заказывать и получать с международных складов практически любой перечень компонентов в оптимальные для Вас сроки.

На всех этапах разработки и производства наши партнеры могут получить квалифицированную поддержку опытных инженеров.

Система менеджмента качества компании отвечает требованиям в соответствии с ГОСТ Р ИСО 9001, ГОСТ РВ 0015-002 и ЭС РД 009

Офис по работе с юридическими лицами:

105318, г.Москва, ул.Щербаковская д.3, офис 1107, 1118, ДЦ «Щербаковский»

Телефон: +7 495 668-12-70 (многоканальный)

Факс: +7 495 668-12-70 (доб.304)

E-mail: info@moschip.ru

Skype отдела продаж:

moschip.ru

moschip.ru_4

moschip.ru_6

moschip.ru_9