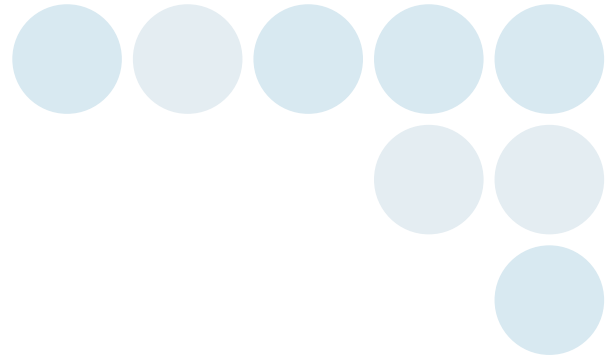


New

OMRON

Clean Sensing System

ZN Series



Advanced Clean-Monitoring for the Manufacturing Field



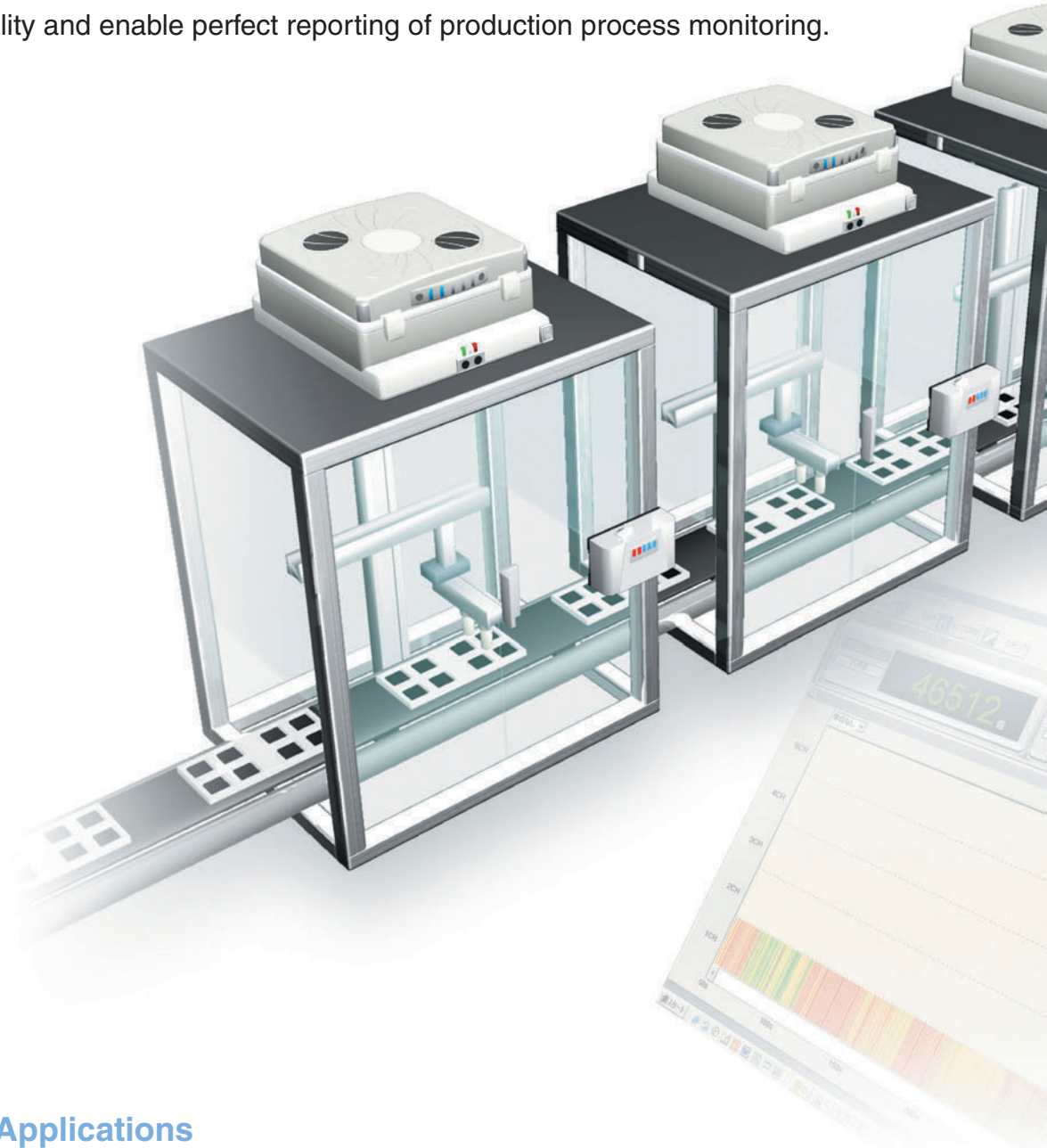
realizing

Is that booth really clean?

Is clean air with a filter enough to maintain a clean environment?

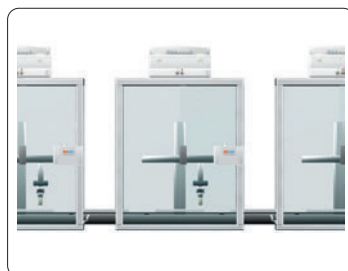
Clean measures are not perfect unless they are tied to quality.

Localized Continuous Clean-Monitoring Systems by OMRON provide many ways to improve quality and enable perfect reporting of production process monitoring.



Applications

Electronic Component
Production Processes
Multi-Clean Control



Cell Production Processes
Direct Clean Control

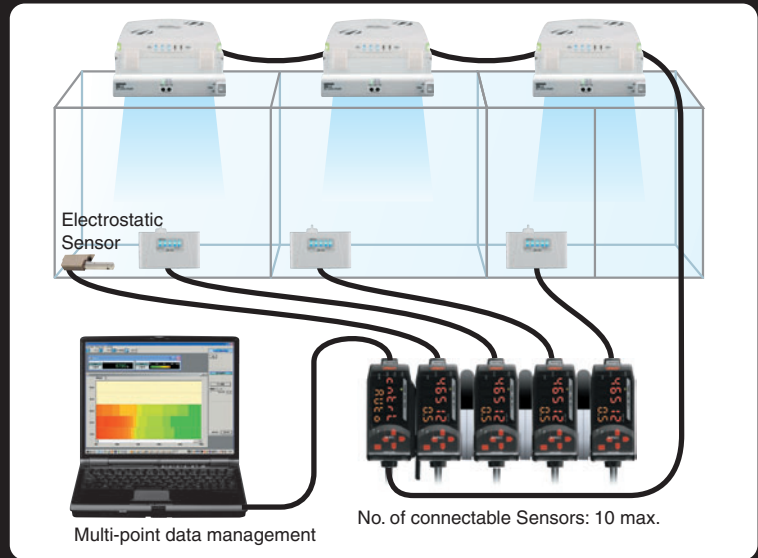


Storage and Test Environments
Storage of Precision and
Optical Components



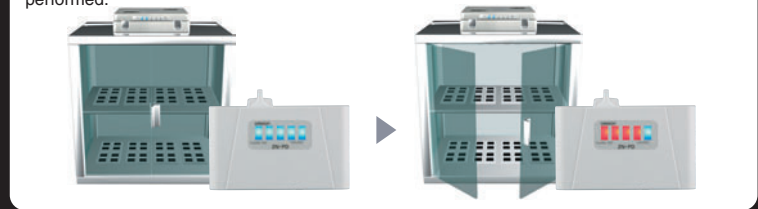
Total Sensing for Clean Booths

OMRON provides the optimum clean environment with constant monitoring of continuously changing production environments. Sensing and control with up to 9 Air Clean Units. The degree of cleanliness in each production stage can be controlled in relation to quality.



Continuous Sensing of Particles

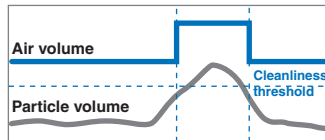
Clean environments change during the production process due to the various work operations performed.



The particle volume inside booths is constantly sensed by an Air Particle Sensor. Optimum clean environments are maintained by controlling air volume based on particle volume — from rapid ventilation to energy-conserving gradational air volume control.

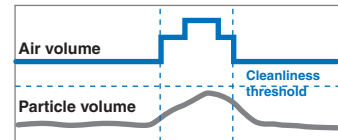
Rapid Feedback

The maximum and minimum air volume and feedback time can be set to any desired values. Once a cleanliness threshold has been exceeded, the level of cleanliness can be increased in a short time by applying the maximum air volume.



Constant Feedback

Constant feedback is provided so that the cleanliness threshold is not exceeded. A constant level of cleanliness is always maintained and energy is conserved.



Clean-monitoring of Inspection and Measurement Environments



Ionized Clean Environments

An Ionizer is needed to remove dust attached to particles by static electricity. OMRON provides a new style for discharging and dust removal, with the first Ionizers in the industry that can be combined with Air Clean Units.



Compact but High-Performance Air Clean Unit



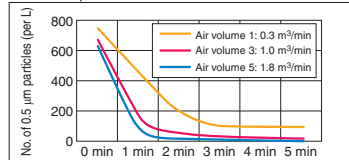
Slimmest in the industry: 97.5 mm

High-Speed Dust Control

Unique Twin-fan Construction

A unique ZNA2502 Twin-Fan construction enables both a slimmer body and a greater air volume. Downsizing is possible with a greater level of capacity than previous models.

Relationship between Air Volume and Particle Removal



HEPA Filter with High Filtration

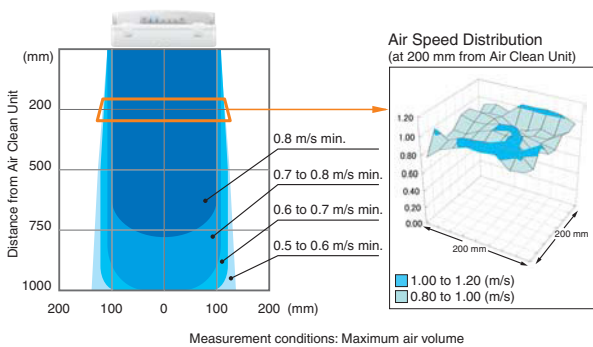
The HEPA filter used with the ZN Series has the capacity to filter 99.99% of 0.3 μm particles.



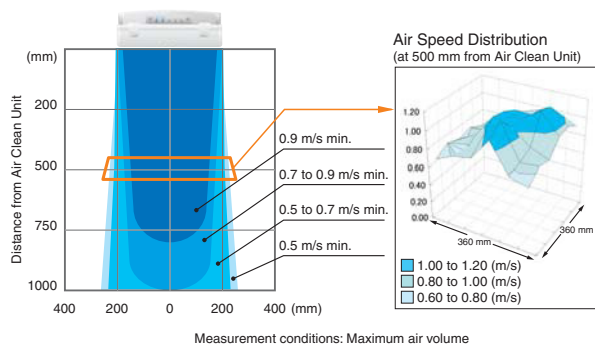
Laminar Airflow Design

The smaller fan section and the unique ventilation construction design provides a more uniform laminar airflow. Uniform air is provided over a wide area.

■ ZN-A2502



■ ZN-A4105



Airflow Switching Function

The air volume can be set to 5 different levels, from 0.3 to 1.8 m³/min for the ZN-A2502 and 1.0 to 5.0 m³/min for the ZN-A4105. The air volume can be checked with the large indicators in the middle.



Self-diagnosis Function

Two LED indicators indicate operation errors (e.g., stopped fans) and when HEPA filter replacement is required. Located on two corners of the Unit, the LED indicators are visible from many angles.



External I/O

An I/O interface is built in.

An AC adapter or 24-VDC input can be selected for the power supply.

An alarm signal is output if the self-diagnosis function indicates HEPA filter replacement or error operation.

DC power supply/external output terminal AC Adapter input



Ultra-Easy Maintenance

HEPA filters can be replaced without tools thanks to the use of buckles. Onsite maintenance time is reduced because filters can be replaced in a one-step operation.



Unique and Easy Ionizer for Air Clean Unit



Industry First

Patent pending

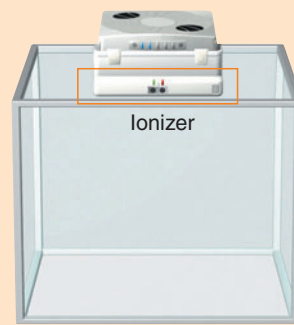
Ionizer That Can be Combined with Air Clean Units

Previous Model



Laminar airflow can be disrupted with bar-type ionizers, depending on where the ionizer is installed, and too much installation work is required.

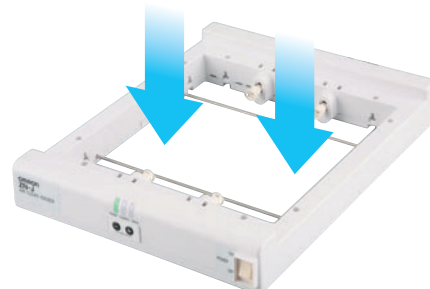
When Using an Air Clean Unit



The ionizer can be mounted directly to the Air Clean Unit.

Opening Constructed Not to Obstruct Laminar Airflow

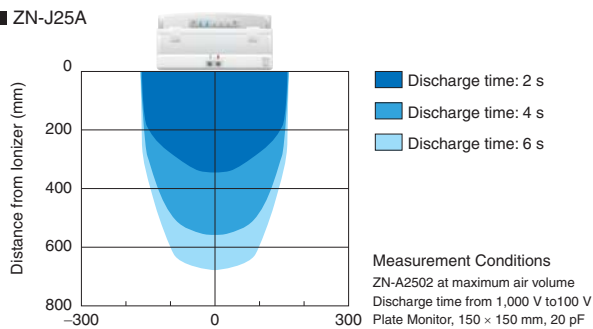
The opening does not obstruct the airflow from the Air Clean Unit eliminating worries about disrupting the laminar airflow.



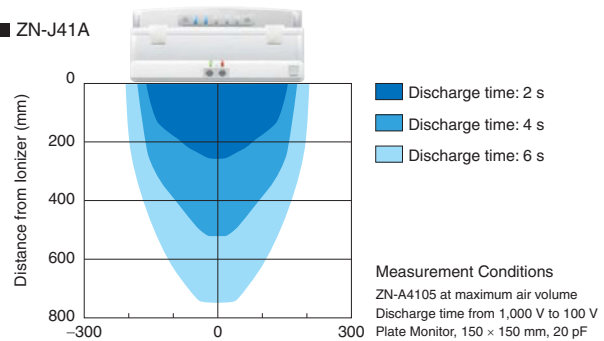
Wide Discharge Area by Adopting Variable DC Ionization Method

Variable DC ionization is used to discharge over a wide area.

■ ZN-J25A

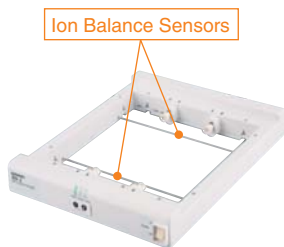


■ ZN-J41A



Automatic Ion Balance

Two Sensors provide constant feedback on the ion balance to maintain uniform discharging.



Self-diagnosis and Display Functions

LED indicators and external outputs provide notification when discharge needles require cleaning or discharge errors occur. Cleaning outputs are made at two levels: warnings and alarms.



Ozone Buildup Prevention

Patent Pending

Discharging is stopped when a signal indicating that the Air Clean Unit fan has stopped is received. This function prevents ozone from remaining due to discharging.



Simple Mounting and Wiring

The Ionizer can be installed easily by inserting it between the Air Clean Unit and the top of the Clean Booth and securing it with screws. Wiring work is greatly reduced by the connectors used for connection to the Air Clean Unit.



Simple Maintenance

Discharge needles are modular and can be easily replaced.



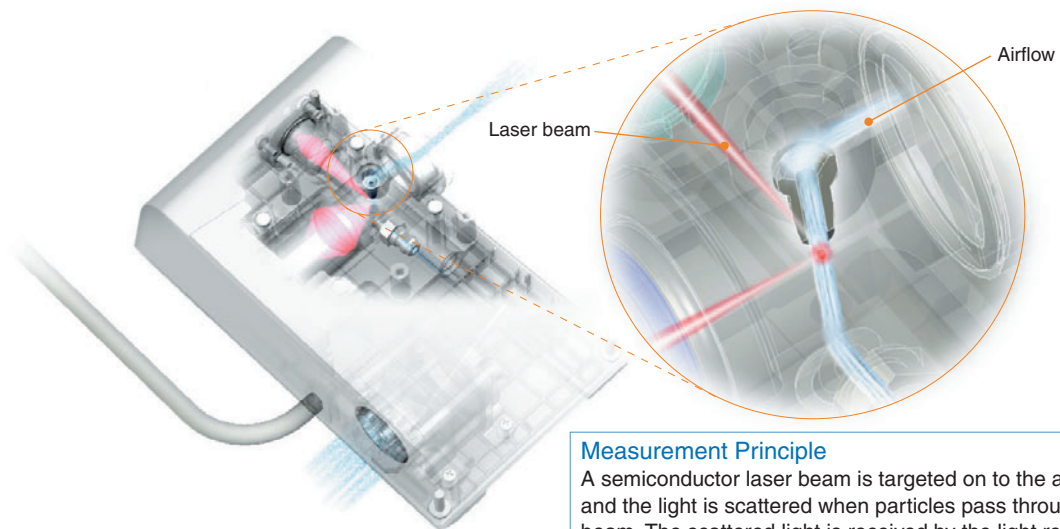
Small Size, Continuous Measurement In-line Air Particle Sensor



Smallest in the Industry

Air Particle Sensor for In-line Measurement

A high-performance fan for external air suction enables constant measuring over long periods. Semiconductor lasers and high-sensitivity optical design in the sensing section enable measurement of 0.3- μm particles.



Measurement Principle

A semiconductor laser beam is targeted on to the air intake and the light is scattered when particles pass through that beam. The scattered light is received by the light receiving element and converted to an electrical signal.

Particle Trend Indicator

The sensing section has a particle trend display for quick visual confirmation of the degree of cleanliness. The Amplifier provides numeric indication of the number of 0.3-, 0.5-, and 1.0- μm particles. A signal can be output at any level of particles if a threshold has been set.



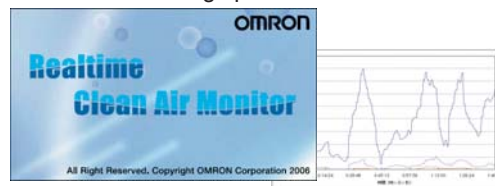
■ On-screen Indication and Data Logging of Particle Amount

Measurement values can be easily logged on a personal computer by using the Interface Unit and special software (sold separately). Data from sequential sensing of particles can be used to improve quality.



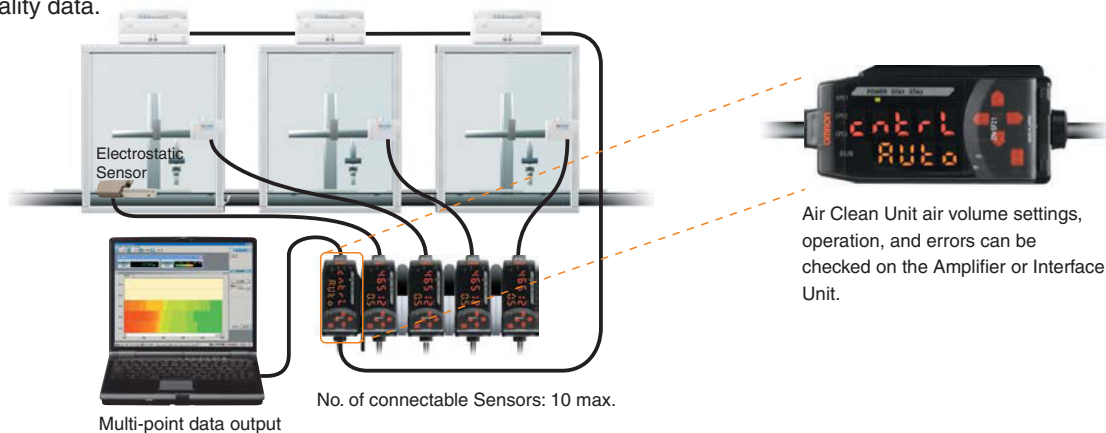
■ Realtime Clean Air Monitor

A variety of displays (including color graphs for visual confirmation by color of particle densities, indication of the number of particles, and trend graphs) can be set. Particle Sensors and Interface Units can also be set from the personal computer. Measurement data is logged in realtime and can be manipulated in CSV-format files using spreadsheet software.



■ Quality Control with Multi-point Measurement Patent Pending

Up to ten Particle Sensors and up to nine Air Clean Units can be controlled through one Interface Unit and Real Time Clean Air Monitor. There are no time-consuming restrictions, such as the order that power is turned ON. The level of cleanliness can be controlled for each process and constant monitoring is possible in relation to quality data.



■ For In-line Applications

Installation is simple with DIN Track mounting. The In-line Air Particle Sensor was developed for in-line applications, with a 24-VDC power supply. External outputs can be at two levels: warnings and alarms. Suitable for in-line trend management applications.

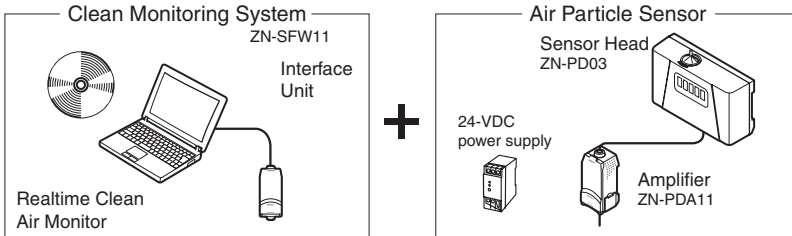


System Connection Diagram

There are four ways of using the In-line Air Particle Sensor, depending on the application.

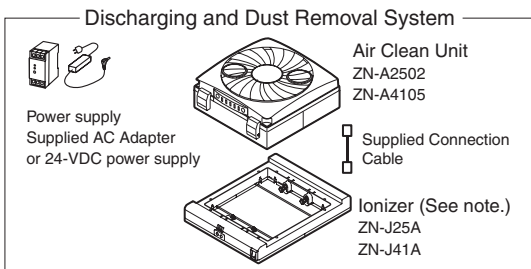
Measurement and Logging of Particle Volumes

- Particle volumes are logged and warnings or alarms are output for set thresholds.



Clean Air Supply and Discharging

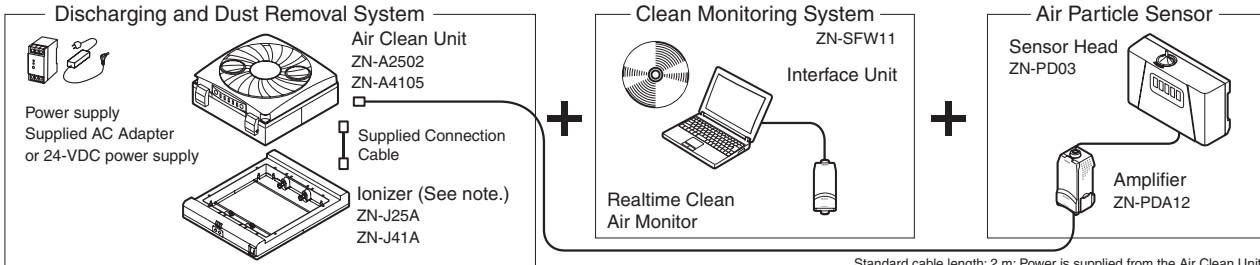
- Discharging can be performed with the downflow from the Air Clean Unit.



Note: When using the Ionizer in combination with an Air Clean Unit, be sure to specify an applicable model (e.g., ZN-J25A).

Direct Clean Sensing Systems

- The air volume of the Air Clean Unit is automatically adjusted while the particle volume is measured and logged.

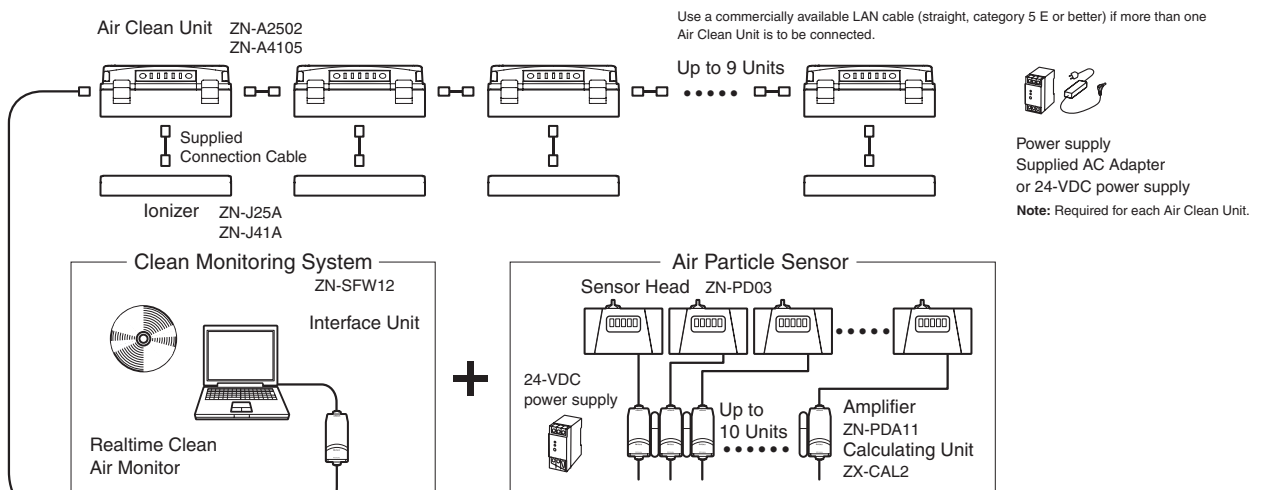


Note: When using the Ionizer in combination with an Air Clean Unit, be sure to specify an applicable model (e.g., ZN-J25A).

Standard cable length: 2 m; Power is supplied from the Air Clean Unit. To extend, use commercially available LAN connectors (female-female, straight) and LAN cable (straight, category 5 E or better).

Multi-Clean Sensing Systems

- The air volume of the Air Clean Unit is automatically adjusted while the particle volume is measured and logged.
- The level of cleanliness can be managed and feedback controlled for more than one production process.



Use a commercially available LAN cable (straight, category 5 E or better) if more than one Air Clean Unit is to be connected.



Power supply
Supplied AC Adapter
or 24-VDC power supply


Note: Required for each Air Clean Unit.

Standard cable length: 2 m
To extend, use commercially available LAN connectors (female-female, straight) and LAN cable (straight, category 5E or better).

Ordering Information

Air Clean Units

Air Clean Units

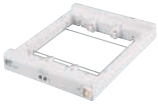
| Appearance | Application | Power supply | Model |
|---|-------------------------|--------------|--------------------------|
|  | 250 × 250 mm | 24 VDC | ZN-A2502 |
| | 410 × 410 mm | | ZN-A2502D (See note.) |
| | | | ZN-A4105 |
| | ZN-A4105 (See note.) | | |

Use a commercially available LAN cable (straight, category 5E or better) if more than one Air Clean Unit is to be connected to make a system.

Note: Without AC adapter.

Ionizers

Ionizers

| Appearance | Application | Power supply | Model |
|---|--------------|-----------------------------------|------------------------|
|  | 250 × 250 mm | Supplied from the Air Clean Unit. | ZN-J25A (See note.) |
| | 410 × 410 mm | | ZN-J41A (See note.) |

Note: Connection Cable to the Air Clean Unit is provided.
(Air Clean Units should be ordered separately.)

Accessories

| | Application | Model | Qty. |
|--------------------------|------------------|-----------|------|
| Replacement HEPA Filters | For 250 × 250 mm | ZN9-AHP25 | 1 |
| | For 410 × 410 mm | ZN9-AHP41 | 1 |
| Replacement Pre-filters | For 250 × 250 mm | ZN9-APF25 | 2 |
| | For 410 × 410 mm | ZN9-APF41 | 1 |

Accessories


| | Model | Qty. |
|-------------------------------|----------|------------|
| Replacement Discharge Needles | ZN9-JH04 | 4 per pack |

Single-sided Connector Cables (for DC power supply or I/O connection)


| Cable length | Model | Qty. |
|--------------|----------|------|
| 2 m | ZN9-JC02 | 1 |

Air Particle Sensors


Sensor Head

| Appearance | Measured particle diameter | Model |
|---|----------------------------|---------|
|  | 0.3, 0.5, and 1.0 μm | ZN-PD03 |



Amplifiers

| Appearance | Power supply | Connection method | Model |
|---|-----------------------------------|--|-------------|
|  | 24 VDC | Cable connection | ZN-PDA11 2M |
| | Supplied from the Air Clean Unit. | Connector connection (Air Clean Unit feedback connection) | ZN-PDA12 2M |

Calculating Unit

| Appearance | Model |
|---|---------|
|  | ZX-CAL2 |

Clean Monitoring Systems

| Appearance | Contents | Connection method | Model |
|---|---|---|----------|
|  | ZN-SF11 Interface Unit + Realtime Clean Air Monitor | For RS-232C connection with personal computer only | ZN-SFW11 |
|  | ZN-SF12 Interface Unit + Realtime Clean Air Monitor | For RS-232C connection with personal computer or Air Clean Unit feedback connection | ZN-SFW12 |

An Interface Unit is not available by itself.

Double-sided Connector Cable (for extension between Sensor Head and Amplifier)

| Cable length | Model | Qty. |
|--------------|---------|------|
| 1 m | ZX-XC1A | 1 |
| 4 m | ZX-XC4A | 1 |
| 8 m | ZX-XC8A | 1 |

| | Model | Qty. |
|------------------------------------|---------|------|
| Sensor Head Replacement Filter Set | ZN9-PF1 | 1 |
| Cleaning Filter | ZN9-PC1 | 1 |
| Head Attachment Tool | ZN9-PB1 | 1 |

Specifications

Air Clean Units

| Item | Model | ZN-A2502/A2502D | ZN-A4105/A4105D |
|----------------------------------|-------|---|---|
| Air outlet dimension | | 225 × 205 mm | 360 × 360 mm |
| Particle outlet efficiency | | More than 99.99% for 0.3-μm particles | |
| Air volume (m ³ /min) | | 0.3 to 1.8 m ³ /min (typical) | 1.0 to 5.0 m ³ /min (typical) |
| Sound noise level (dBA) | | Air volume level 3: 53 dB (typical) Air volume level 1: 41 dB (typical) | Air volume level 3: 53 dB (typical) Air volume level 1: 40 dB (typical) |
| Fan motor | | Two, DC brushless compact centrifugal blowers | One DC brushless turbo fan |
| Main filter | | HEPA filter | |
| Main filter part number | | ZN9-AHP25 | ZN9-AHP41 |
| Pre-filter part number | | ZN9-APF25 | ZN9-APF41 |
| Power supply voltage | | 24 VDC±10%, Ripple (p-p): 10% max. | |
| Current consumption | | Air volume level 5: 2.1 A max. (RMS value) Air volume level 1: 0.4 A max. (RMS value) | Air volume level 5: 3.5 A max. (RMS value) (Peak: 5.5 A) Air volume level 1: 0.32 A max. (RMS value) |
| Indicators | | Operating status: Green/Red Air volume: Blue | |
| Outputs | | Alarm output 1: Alarm output 1 turns OFF when one of the following events occurs. (Normally alarm output 1 is ON.) (Check indicator to find out which event occurred.) <ul style="list-style-type: none"> • Filter is clogged. • Fan error • Cleaning alarm for discharge needle (when ZN-J-series Ionizer (sold separately) is connected) • Discharge error (when ZN-J-series Ionizer (sold separately) is connected) Alarm output 2: Enabled only when ZN-J-series Ionizer (sold separately) is connected. <ul style="list-style-type: none"> • Alarm output 2 turns OFF to indicate that cleaning is necessary for ZN-J Series discharge needles. (Normally alarm output 2 is ON.) | |
| | | 30 VDC, 50 mA max. Residual voltage: 1 V max. with load current of 10 mA, 2 V max. with load current of 50 mA. | |
| Functions | | Air volume selectable (levels 1 to 5), Automatic control by ZN-PDA, Filter clogging alarm, ZN-J Ionizer connection, connection of up to 9 Units | |
| Ambient temperature range | | Operating and storage: 0 to 40°C (with no icing or condensation) | |
| Ambient humidity range | | Operating and storage: 35% to 85% (with no condensation) | |
| Material | | Upper case: ABS, Bottom frame: Steel | |
| Dimensions (mm) | | 250 × 250 × 97.5 mm (W × D × H) | 410 × 410 × 129.5 mm (W × D × H) |
| Weight | | Approx. 2 kg (Packed state: Approx. 3.3 kg) | Approx. 5.2 kg (Packed state: Approx. 8.6 kg) |
| Accessories | | Instruction Sheet, Sealing parts, Mounting screws, I/O connector (XW4B-06B1-H1), AC adapter (excluding ZN-A2502D, ZN-A4105D.) (See note.) | |

Note: AC Adapter: Made by Sanken Electric Co., Ltd.
 Model SEB100P2-24.0 for ZN-A2502: Supply voltage of 100 VAC to 240 VAC
 Model SEC165P2-24.0 for ZN-A4105: Supply voltage of 100 VAC to 240 VAC

Ionizers

| Item | Model | ZN-J25A | ZN-J41A |
|--|-------|--|--|
| Applicable Air Clean Units | | ZN-A2502 | ZN-A4105 |
| Power supply voltage | | 24 VDC±10%, Ripple (p-p): 10% max. | |
| Current consumption | | 300 mA max | |
| Output voltage | | ±7 kV max | |
| Discharge method | | Variable DC | |
| Discharge time (typical) (See note 1.) | | 5 s max. | |
| Ion balance (typical) (See note 2.) | | ±30 V max. | |
| Indicators | | Power (green), Cleaning notice (orange flashing), Cleaning alarm (orange), High voltage error (red) | |
| Outputs | | High voltage error output, cleaning output: photo-MOS relay (30 VDC, 300 mA max.) | |
| Functions | | Manual Ion balance adjustment, cleaning alarm, high voltage error alarm | |
| Ambient temperature range | | Operating and storage: 0 to 40°C (with no icing or condensation) | |
| Ambient humidity range | | Operating and storage: 35% to 65% (with no condensation) | |
| Materials | | Unit: ABS, Discharge needles: Tungsten | |
| Dimensions (mm) | | 248 × 310 × 45 mm (W × D × H) | 408 × 470 × 45 mm (W × D × H) |
| Weight | | Approx. 0.6 kg (Packed state: Approx. 1.4 kg) | Approx. 1.5 kg (Packed state: Approx. 2.7 kg) |
| Accessories | | Instruction Sheet Sealing parts Mounting screws Connector cable for Air Clean Unit (excluding ZN-A2502D, ZN-A4105D.) Ferrite core English warning label | Instruction Sheet Sealing parts Mounting screws Connector cable for Air Clean Unit (excluding ZN-A2502D, ZN-A4105D.) Ferrite core English warning label |

Note 1. Measurement conditions:
 Distance: 300 mm
 Air Clean Unit: ZN-A Series with air level 5 at center of air outlet
 Discharging from ±1000 V to ±100 V with Charge Plate Monitor (150 × 150 mm, 20 pF)
 Temperature: 18 to 28°C, Humidity: 35% to 65%
 The performance may not be satisfied when gases such as solvents are in the measurement area.

Note 2. Measurement conditions:
 Distance: 300 mm
 Air Clean Unit: ZN-A Series with air level 5 at center of air outlet
 Discharging with Charge Plate Monitor (150 × 150 mm, 20 pF) for 10 s
 Temperature: 18 to 28°C, Humidity: 35% to 65%
 The performance may not be satisfied when gases such as solvents are in the measurement area.

Specifications

Air Particle Sensors

Sensor Head

| Item | Model | ZN-PD03 |
|------------------------------|-------|---|
| Applicable Amplifier | | ZN-PDA11/ZN-PDA12 |
| Measurement method | | 90° sideways light-scattering method |
| Light source | | Semiconductor laser |
| Applicable particle size | | 0.3, 0.5, or 1.0 μm min. |
| Applicable cleanliness class | | Equivalent to Class 100 to 100,000 (FED-STD-209D) |
| Indicator | | Level indicator for Class 100 to 100,000 (FED-STD-209D) |
| Connection tube | | Inner diameter: 4, Length: 1 m max. |
| Ambient temperature range | | Operating: 0 to 40°C, Storage: -15 to 50°C (with no icing or condensation) |
| Ambient humidity range | | Operating and storage: 35% to 85% (with no condensation) |
| Dielectric strength | | 1,000 VAC, 50/60 Hz for 1 min |
| Vibration resistance | | 10 to 55 Hz, 0.7-mm double amplitude 80 min each in X, Y, and Z directions |
| Shock resistance | | 150 m/s ² 3 times each in six directions (up/down, left/right, forward/backward) |
| Connection method | | Connector cable (standard cable length: 0.5 m) |
| Material | | ABS |
| Weight | | Approx. 300 g (Packed state: Approx. 450 g) |
| Accessories | | Instruction Sheet, connection tube |

Amplifiers

| Item | Model | ZN-PDA11 | ZN-PDA12 |
|---|-------|---|--|
| Sampling time | | 1 to 599 s (selectable) | |
| Average count setting | | 1, 2, 4, 8, 16, 32, or 64 | |
| Indicators | | Operation indicators: OUT1 (orange), OUT2 (yellow), 7-segment main display (red), 7-segment sub-display (yellow), power (green), wide range display (green), unit selection display (green) | 7-segment main display (red), 7-segment sub-display (yellow), power (green), wide range display (green), unit selection display (green) |
| Status outputs (2 outputs: OUT1/OUT2) (See note.) | | NPN open-collector outputs, 30 VDC, 30 mA max., Residual voltage: 1.2 V max. | --- |
| Reset input (See note.) | | ON: Short-circuited with 0-V terminal or 1.5 V or less, OFF: Open | --- |
| Functions | | Measurement result display, Setting value display, Unit selection, Scaling, Peak hold, Hysteresis setting, Threshold level selection, Wide range display, Key lock, ECO mode, Display reverse, Display digit change, Initialize | Measurement result display, Communications condition display, Unit selection, Scaling, Air Clean Unit automatic control, Air Clean Unit air level change, Threshold level selection, Wide range display, Key lock, ECO mode, Display reverse, Display digit change, Initialize |
| Communications with Air Clean Unit | | --- | Unique communications specifications (RJ-45 connector and straight LAN cable) |
| Power supply voltage | | 24 VDC ±10%, Ripple (p-p): 10% max. | 24 VDC ±10%, Ripple (p-p): 10% max. (Supplied from Air Clean Unit.) |
| Current consumption | | 300 mA max. | |
| Ambient temperature range | | Operating: 0 to 40°C, Storage: -15 to 50°C (with no icing or condensation) | |
| Ambient humidity range | | Operating and storage: 35% to 85% (with no condensation) | |
| Insulation resistance | | 20 MΩ min. at 500 VDC | |
| Dielectric strength | | 1,000 VAC, 50/60 Hz for 1 min | |
| Vibration resistance | | 10 to 150 Hz, 0.7-mm double amplitude 80 min each in X, Y, and Z directions | |
| Shock resistance | | 300 m/s ² 3 times each in six directions (up/down, left/right, forward/backward) | |
| Connection method | | Cable (standard cable length: 2 m) | Connector cable (standard cable length: 2 m) |
| Materials | | Case: PBT (polybutylene terephthalate), Cover: Polycarbonate | |
| Weight | | Approx. 180 g (Packed state: Approx. 350 g) | |
| Accessories | | Instruction Sheet | |

Note: OUT2 and the reset input are switched by using the DIP switch on the bottom of the Amplifier.

Clean Monitoring Systems

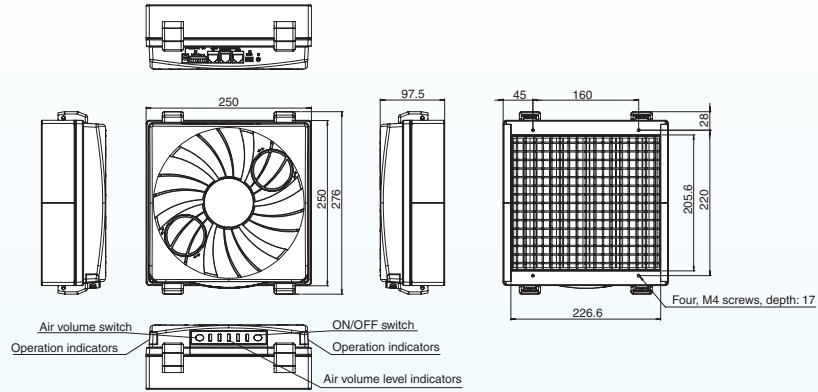
| Item | Model | ZN-SFW11 | ZN-SFW12 |
|---|-----------------------|--|---|
| Power supply voltage | | Supplied from the ZN-PDA. | |
| Current consumption | | 45 mA max. with 24-VDC power supply voltage (excluding current consumption and current output of the Amplifier) | |
| Applicable Amplifiers | | ZX Series, ZJ-SD Series, ZN-PD Series | |
| Applicable Amplifier Unit software versions | | ZX-LDA□□-N V1.000 or higher, ZX-EDA□□ V1.300 or higher, ZX-TDA□□ V1.100 or higher, ZJ-SDA□□ V1.000 or higher, or ZN-PDA□□ V1.000 or higher | |
| No. of connectable Amplifiers | | 10 max. (For ZN-PDA) | |
| Indicator | | Power: Green, Sensor communications: Green, Sensor communications error: Red, External terminal communications: Green, External terminal communications error: Red | Power (POWER: Green), Serial communications (STA1: Green) Not clean (OPE1: Orange), Clean (OPE2: Green) |
| Functions | | --- | Automatic control for Air Clean Units (multi-unit system control), Air level change for Air Clean Units |
| Communications | Communications port | RS-232C (9-pin, D-Sub connector) | |
| | Protocol | CompoWay/F | |
| | Baud rate | 38,400 bps | |
| | Data configuration | Data bits: 8, Parity: None, Start bits: 1, Stop bits: 1, Flow control: None | |
| | For external device 2 | --- | Unique communications specifications (RJ-45 connector and straight LAN cable) |
| Ambient temperature range | | Operating: 0 to 40°C, Storage: -15 to 50°C (with no icing or condensation) | |
| Ambient humidity range | | Operating and storage: 35% to 85% (with no condensation) | |
| Insulation resistance | | 20 MΩ min. at 500 VDC | |
| Dielectric strength | | 1,000 VAC, 50/60 Hz for 1 min | |
| Vibration resistance | | 10 to 150 Hz, 0.7-mm double amplitude 80 min each in X, Y, and Z directions | |
| Shock resistance | | 300 m/s ² 3 times each in six directions (up/down, left/right, forward/backward) | |
| Connection method | | --- | Connector cable (standard cable length: 2 m) |
| Materials | | Case: PBT (polybutylene terephthalate), Cover: Polycarbonate | |
| Weight | | Approx. 100 g (Packed state: Approx. 480 g) | Approx. 200 g (Packed state: Approx. 550 g) |
| Accessories | | CD-ROM (Realtime Clean Air Monitor), Instruction Sheet, Two clamps | |

Dimensions

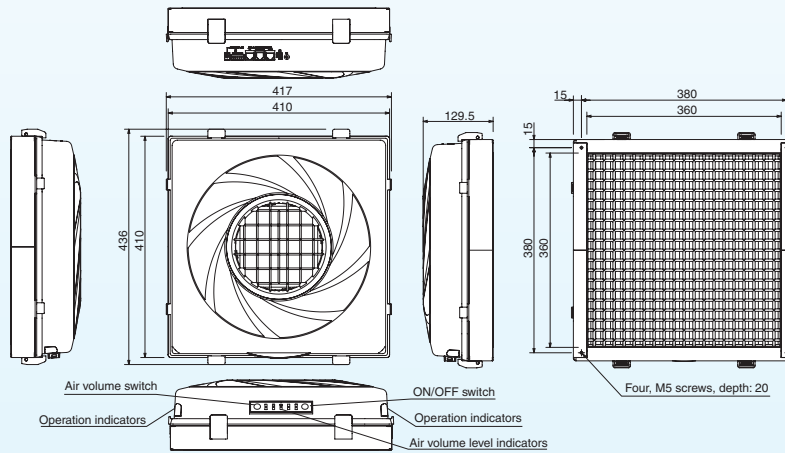
Air Clean Units

ZN-A2502/A2502D

(Unit: mm)



ZN-A4105/A4105D

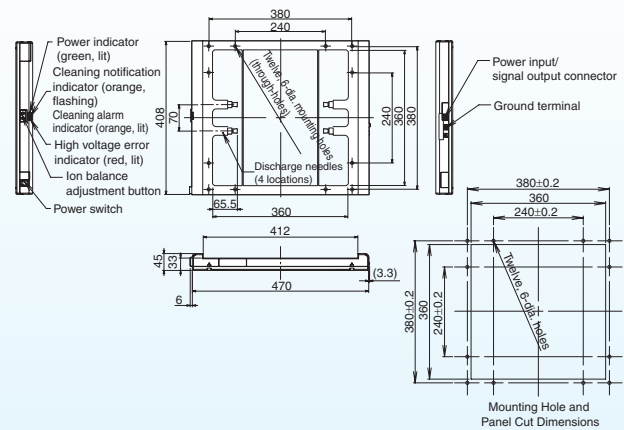
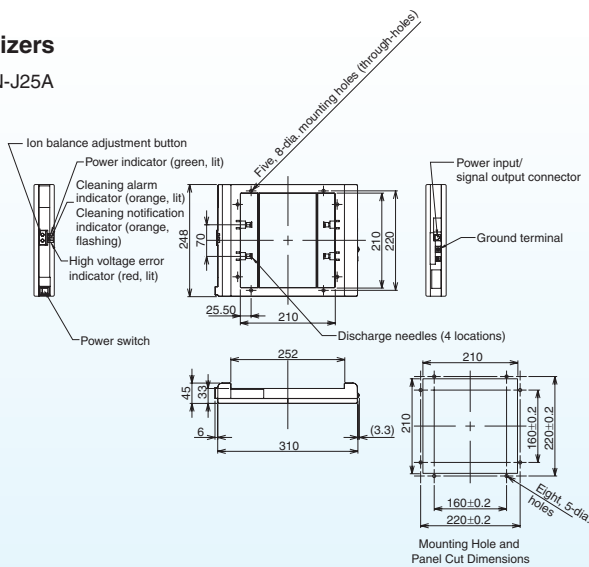


Ionizers

ZN-J25A

ZN-J41A

(Unit: mm)

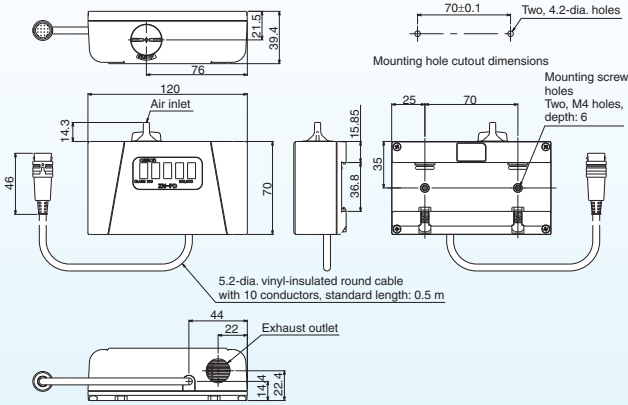


Dimensions

Air Particle Sensors

ZN-PD03

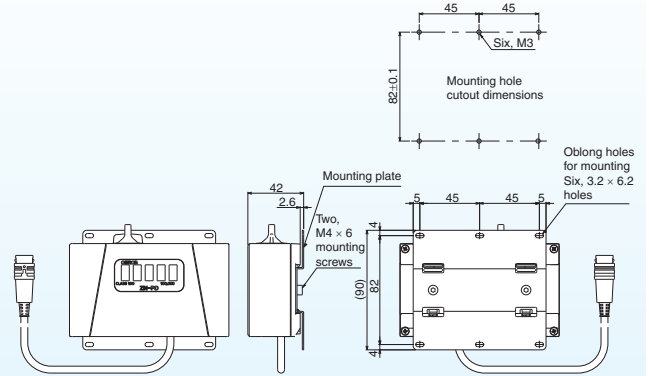
(Unit: mm)



Sensor Head Mounting Tool

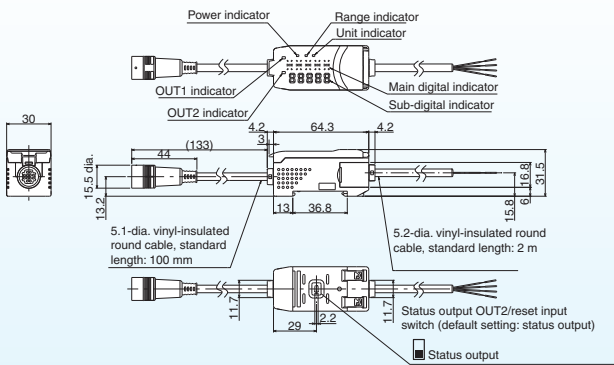
When ZN9-PB1 is used (sold separately)

(Unit: mm)



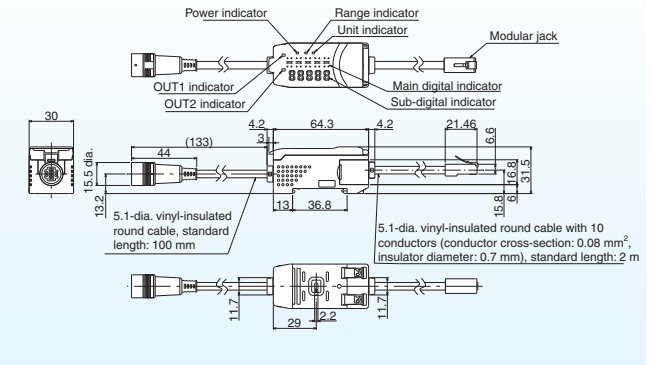
ZN-PDA11

(Unit: mm)



ZN-PDA12

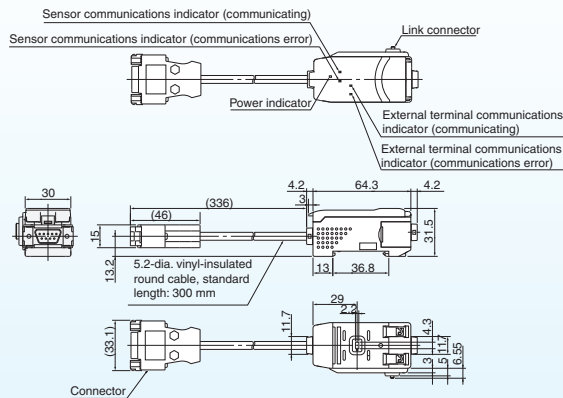
(Unit: mm)



Interface Unit

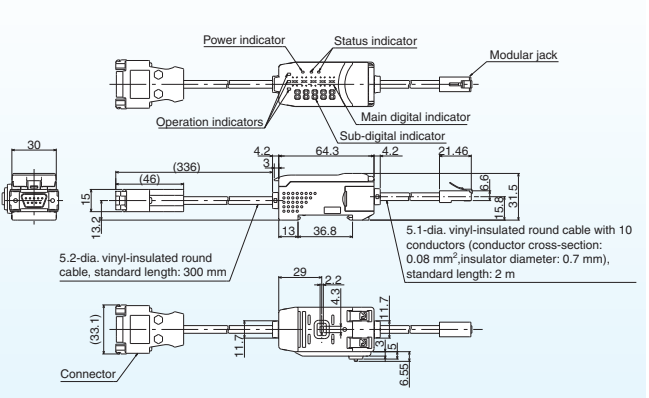
ZN-SF11

(Unit: mm)



ZN-SF12

(Unit: mm)



This document provides information mainly for selecting suitable models. Please read the document System Manual (Z267) carefully for information that the user must understand and accept before purchase, including information on warranty, limitations of liability, and precautions.

OMRON Corporation
Industrial Automation Company
Sensing Devices Division H.Q.
Application Sensors Division

Shiokoji Horikawa, Shimogyo-ku,
Kyoto, 600-8530 Japan
Tel: (81) 75-344-7068/Fax: (81) 75-344-7107

Regional Headquarters

OMRON EUROPE B.V.

Sensor Business Unit
Carl-Benz-Str. 4, D-71154 Nufringen,
Germany
Tel: (49) 7032-811-0/Fax: (49) 7032-811-199

OMRON ELECTRONICS LLC

One Commerce Drive Schaumburg,
IL 60173-5302 U.S.A.
Tel: (1) 847-843-7900/Fax: (1) 847-843-7787

OMRON ASIA PACIFIC PTE. LTD.

No. 438A Alexandra Road # 05-05/08 (Lobby 2),
Alexandra Technopark, Singapore 119967
Tel: (65) 6835-3011/Fax: (65) 6835-2711

OMRON (CHINA) CO., LTD.

Room 2211, Bank of China Tower,
200 Yin Cheng Zhong Road,
PuDong New Area, Shanghai, 200120, China
Tel: (86) 21-5037-2222/Fax: (86) 21-5037-2200

Authorized Distributor:

In the interest of product improvement,
specifications are subject to change without notice.

CSM_1_5_0715

Cat. No. E383-E1-01

OMRON Industrial Automation Global: www.ia.omron.com

Printed in Japan

Mouser Electronics

Authorized Distributor

Click to View Pricing, Inventory, Delivery & Lifecycle Information:

Omron:

[ZN-PD03-SA](#) [ZN-PD03-SU](#) [ZN-A4105](#) [ZN-PD50-SU](#)

Данный компонент на территории Российской Федерации

Вы можете приобрести в компании MosChip.

Для оперативного оформления запроса Вам необходимо перейти по данной ссылке:

<http://moschip.ru/get-element>

Вы можете разместить у нас заказ для любого Вашего проекта, будь то серийное производство или разработка единичного прибора.

В нашем ассортименте представлены ведущие мировые производители активных и пассивных электронных компонентов.

Нашей специализацией является поставка электронной компонентной базы двойного назначения, продукции таких производителей как XILINX, Intel (ex.ALTERA), Vicor, Microchip, Texas Instruments, Analog Devices, Mini-Circuits, Amphenol, Glenair.

Сотрудничество с глобальными дистрибьюторами электронных компонентов, предоставляет возможность заказывать и получать с международных складов практически любой перечень компонентов в оптимальные для Вас сроки.

На всех этапах разработки и производства наши партнеры могут получить квалифицированную поддержку опытных инженеров.

Система менеджмента качества компании отвечает требованиям в соответствии с ГОСТ Р ИСО 9001, ГОСТ РВ 0015-002 и ЭС РД 009

Офис по работе с юридическими лицами:

105318, г.Москва, ул.Щербаковская д.3, офис 1107, 1118, ДЦ «Щербаковский»

Телефон: +7 495 668-12-70 (многоканальный)

Факс: +7 495 668-12-70 (доб.304)

E-mail: info@moschip.ru

Skype отдела продаж:

moschip.ru

moschip.ru_4

moschip.ru_6

moschip.ru_9