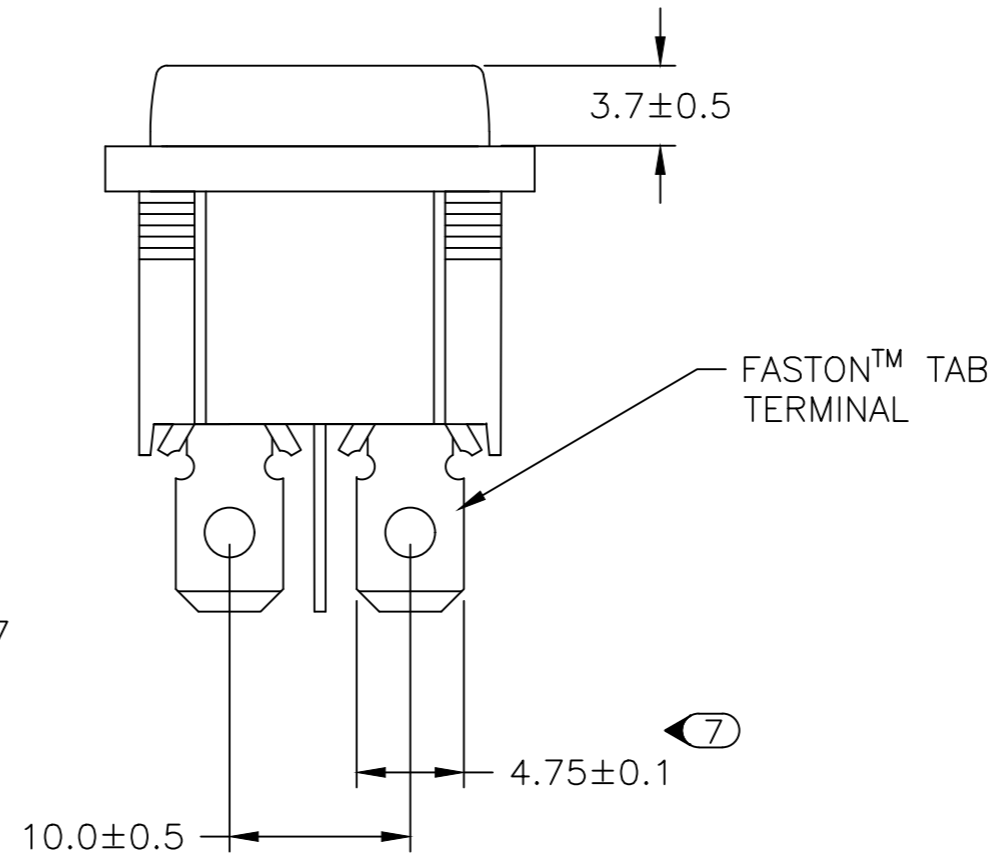
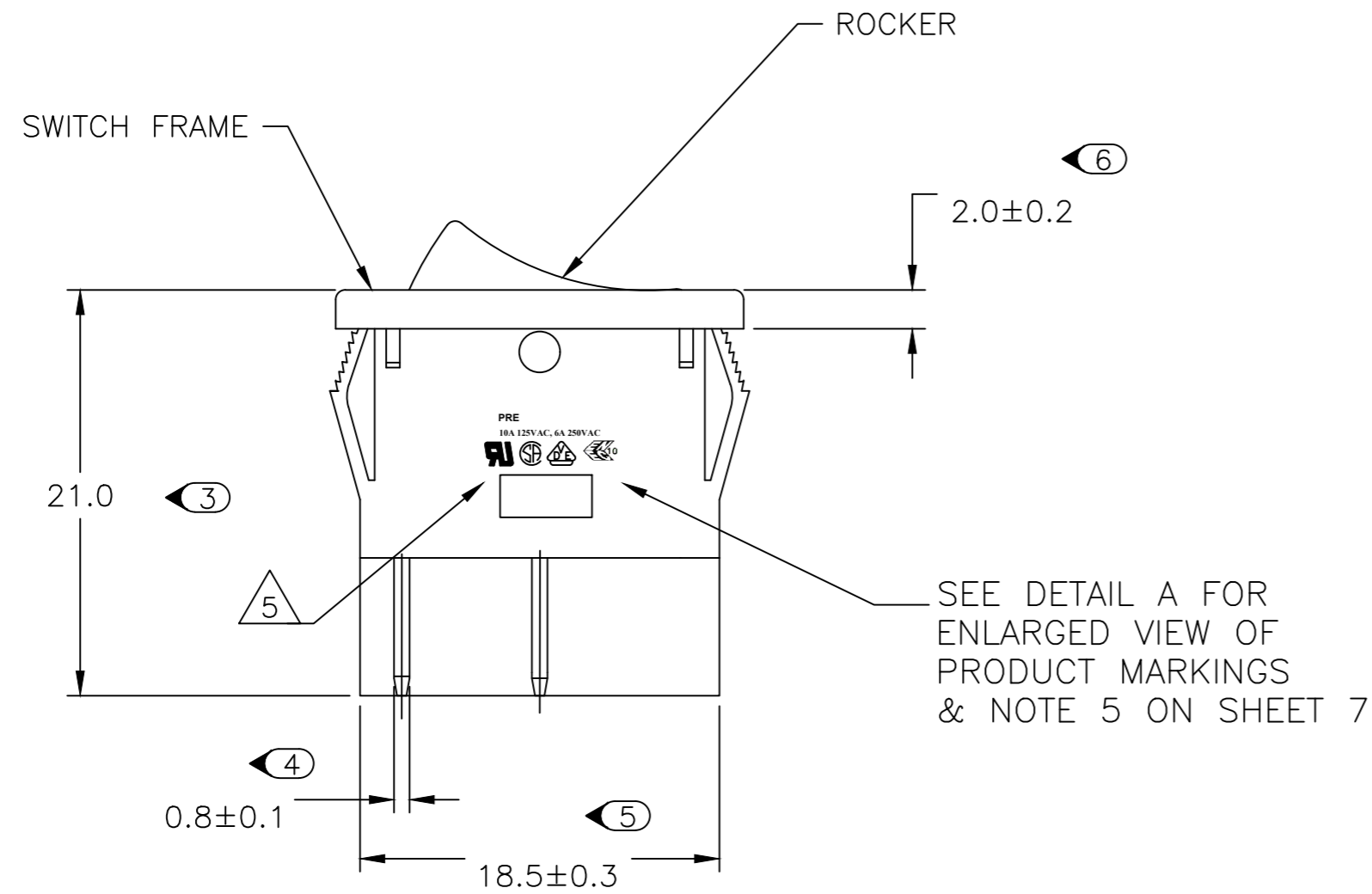
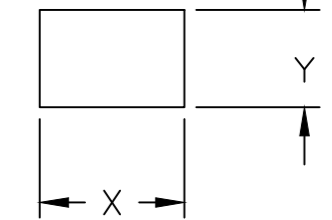


THIS DRAWING IS UNPUBLISHED. RELEASED FOR PUBLICATION  
 © COPYRIGHT - By - ALL RIGHTS RESERVED.

REVISIONS				
P	LTR	DESCRIPTION	DATE	APVD
E		REVISED PER ECO-10-025607	21DEC10	HMR MW
E1		REVISED PER ECO-16-017354	10MAR2017	RK AS

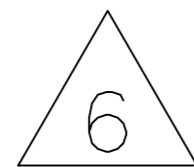
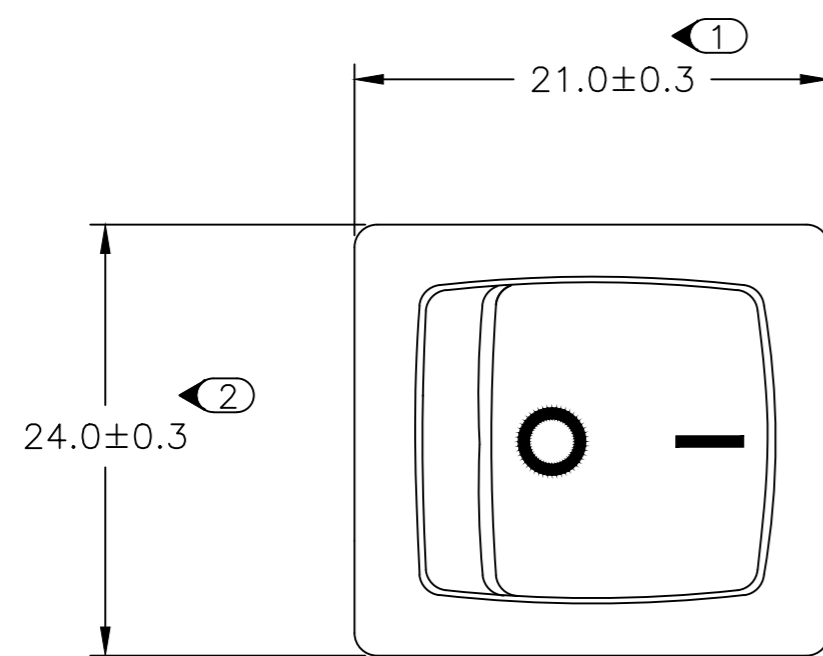
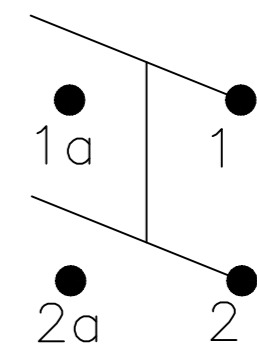


PANEL CUT OUT



2.00-3.00	20.20	22.20
1.25-2.00	19.60	22.20
0.75-1.25	19.40	22.20
PANEL THICKNESS	X	Y

CIRCUIT DIAGRAM



1634200-2 SHOWN ON-OFF

**PRODUCT MARKING**  
 DETAIL A

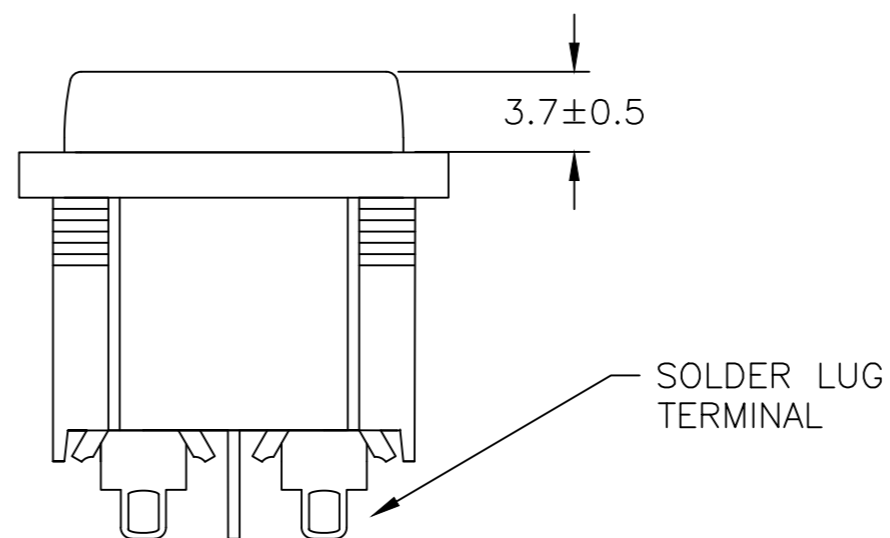
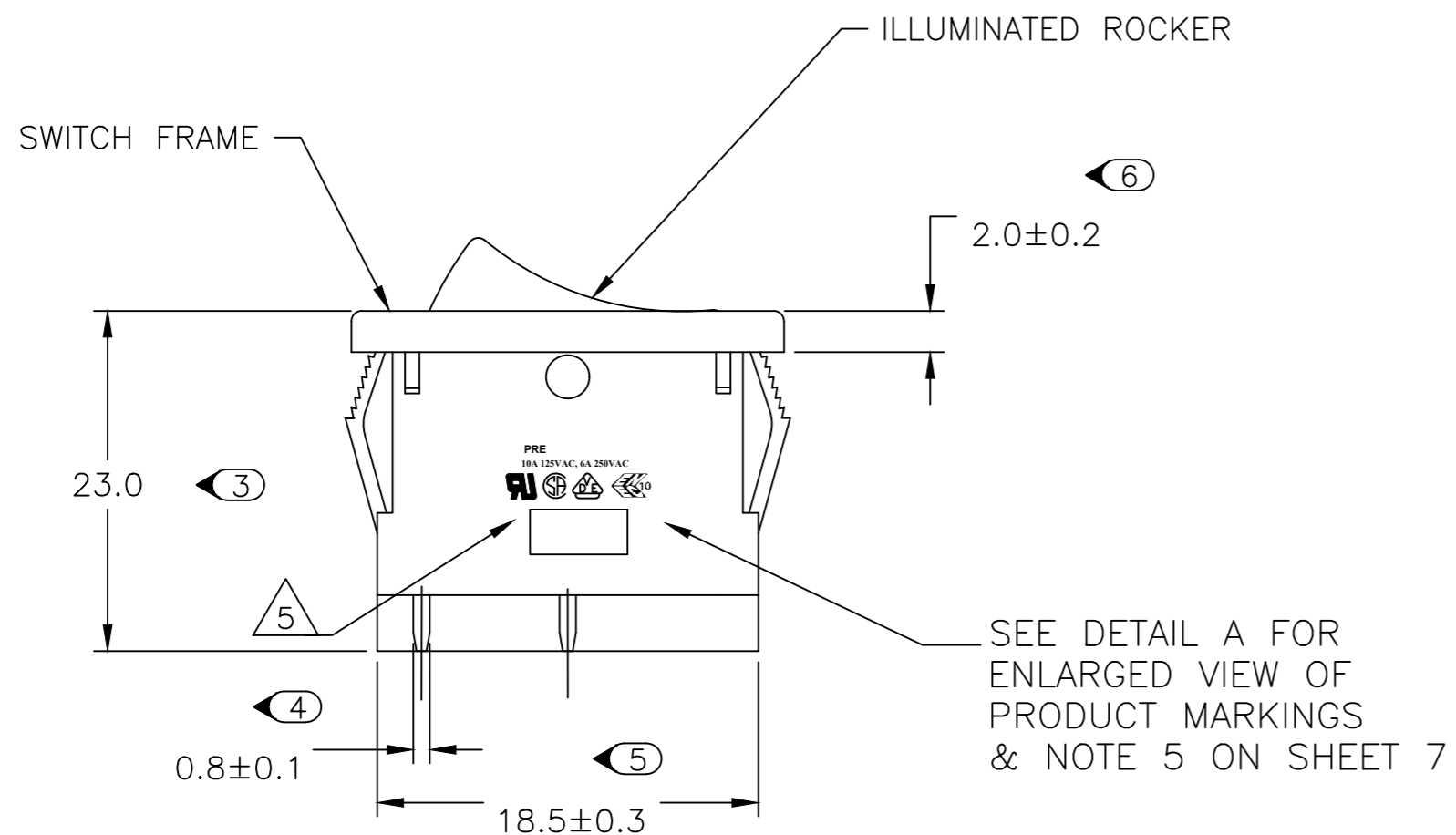


TYCO ELECTRONICS LOGO  
 PER TEC-202-36

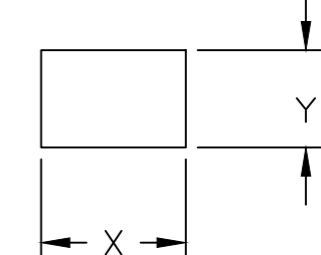
THIS DRAWING IS A CONTROLLED DOCUMENT.		DWN SA008712 2-4-07	TE Connectivity	
DIMENSIONS: mm		CHK -	NAME POWER ROCKER SWITCH 19,4MM X 22,2mm PANEL SIZE DPST, NON-ILLUMINATED	
TOLERANCES UNLESS OTHERWISE SPECIFIED:		APVD -	PRODUCT SPEC -	
0 PLC ± -		PRODUCT SPEC -	APPLICATION SPEC -	
1 PLC ± -		WEIGHT	SIZE A2	CAGE CODE 00779
2 PLC ± -		FINISH -	DRAWING NO C-1634200	RESTRICTED TO -
3 PLC ± -			SCALE 3:1	SHEET 1 of 7
4 PLC ± -			REV E1	
ANGLES ± -		CUSTOMER DRAWING		
FINISH -				

THIS DRAWING IS UNPUBLISHED. RELEASED FOR PUBLICATION  
 © COPYRIGHT - By - ALL RIGHTS RESERVED.

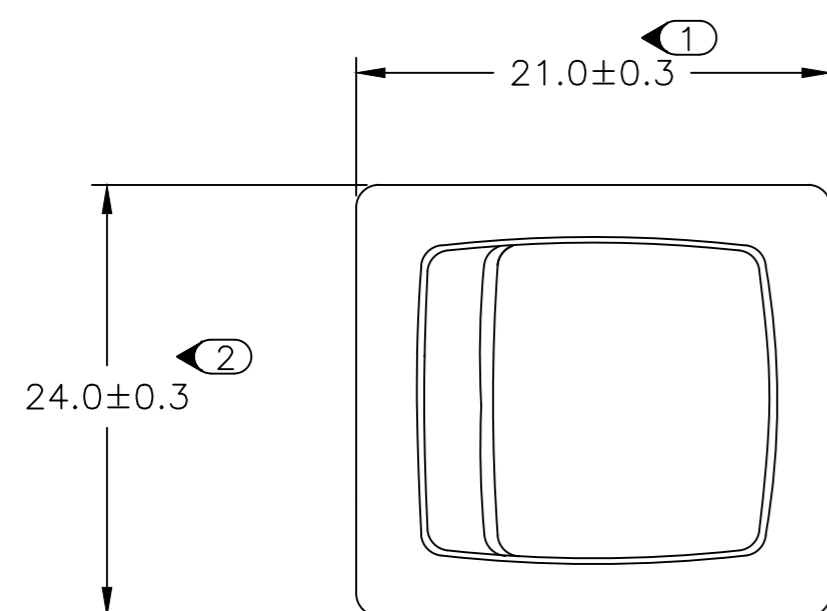
REVISIONS				
P	LTR	DESCRIPTION	DATE	APVD
-	-	SEE SHEET 1	-	-



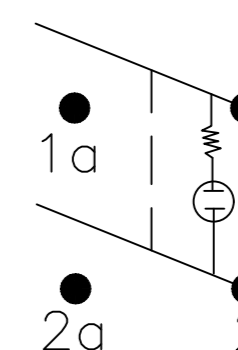
PANEL CUT OUT



2.00-3.00	20.20	22.20
1.25-2.00	19.60	22.20
0.75-1.25	19.40	22.20
PANEL THICKNESS	X	Y

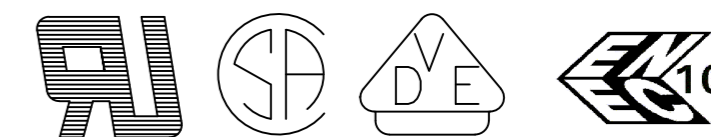


CIRCUIT DIAGRAM



**PRODUCT MARKING  
DETAIL A**

**PRE  
10A 125VAC, 6A 250VAC**



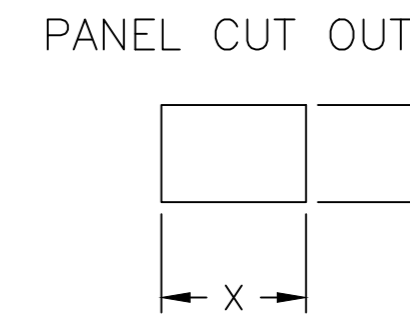
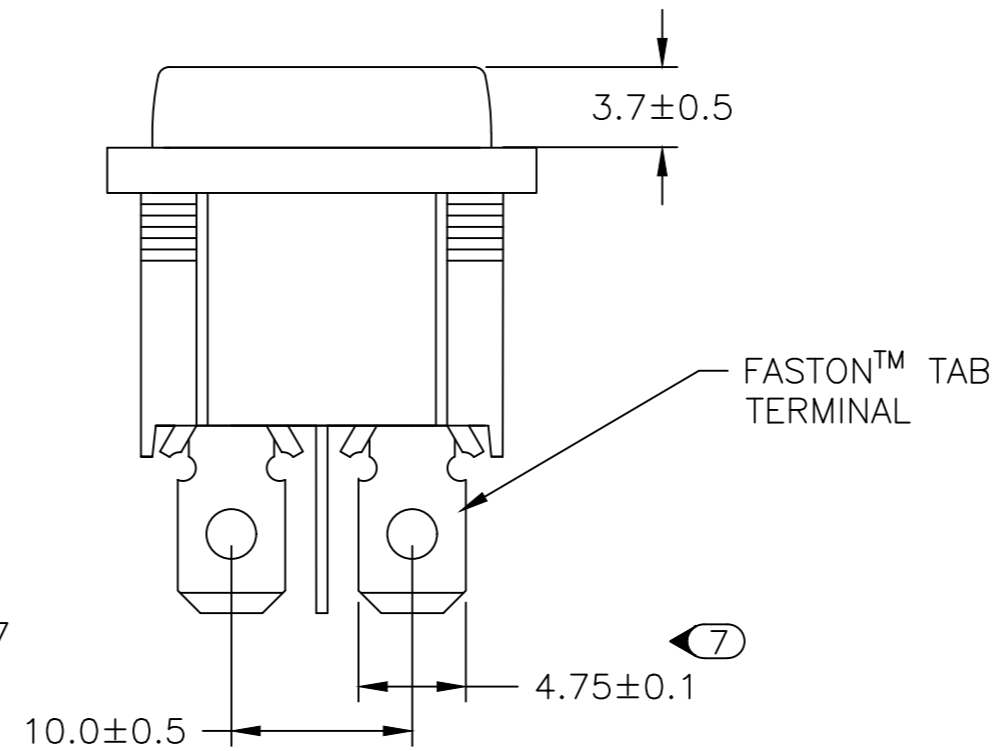
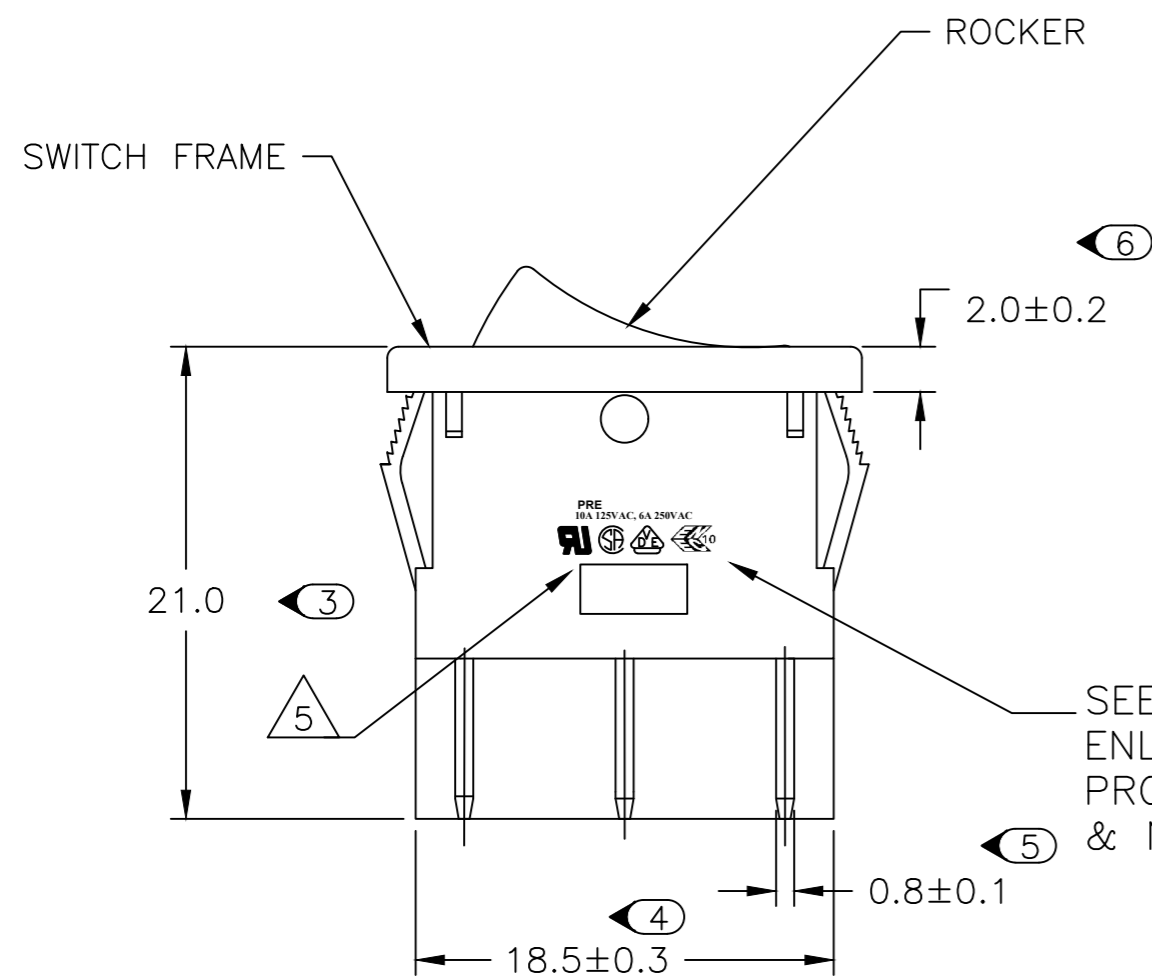
TYCO ELECTRONICS LOGO  
PER TEC-202-36

7 OBSOLETE 1634200-8 SHOWN ON-OFF ILLUMINATED

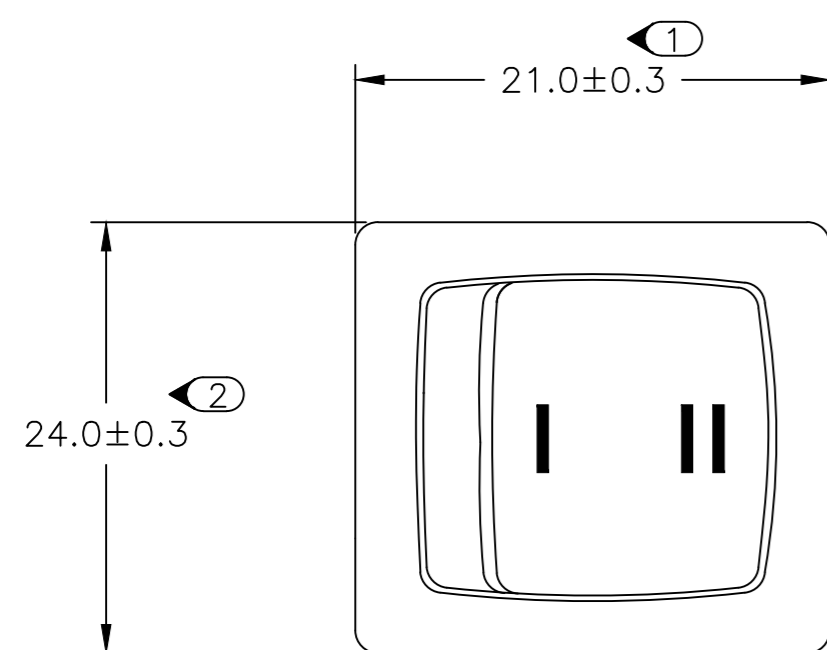
THIS DRAWING IS A CONTROLLED DOCUMENT.		DWN SA008712 2-4-07	TE Connectivity	
DIMENSIONS: mm		CHK -	NAME POWER ROCKER SWITCH 19,4MM X 22,2mm PANEL SIZE DPST, NON-ILLUMINATED	
TOLERANCES UNLESS OTHERWISE SPECIFIED:		APVD -	PRODUCT SPEC -	
0 PLC ± -		PRODUCT SPEC -	APPLICATION SPEC -	
1 PLC ± -		WEIGHT -	SIZE A2	CAGE CODE 00779
2 PLC ± -		FINISH -	DRAWING NO C-1634200	RESTRICTED TO -
3 PLC ± -			SCALE 3:1	SHEET 2 of 7
4 PLC ± -				REV E1
ANGLES ± -		CUSTOMER DRAWING		
FINISH -				

THIS DRAWING IS UNPUBLISHED. RELEASED FOR PUBLICATION  
 © COPYRIGHT - By - ALL RIGHTS RESERVED.

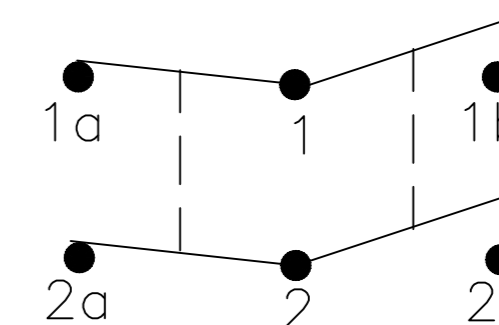
REVISIONS				
P	LTR	DESCRIPTION	DATE	APVD
-	-	SEE SHEET 1	-	-



2.00-3.00	20.20	22.20
1.25-2.00	19.60	22.20
0.75-1.25	19.40	22.20
PANEL THICKNESS	X	Y

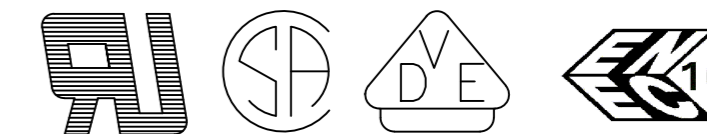


CIRCUIT DIAGRAM



PRODUCT MARKING  
 DETAIL A

**PRE**  
**10A 125VAC, 6A 250VAC**



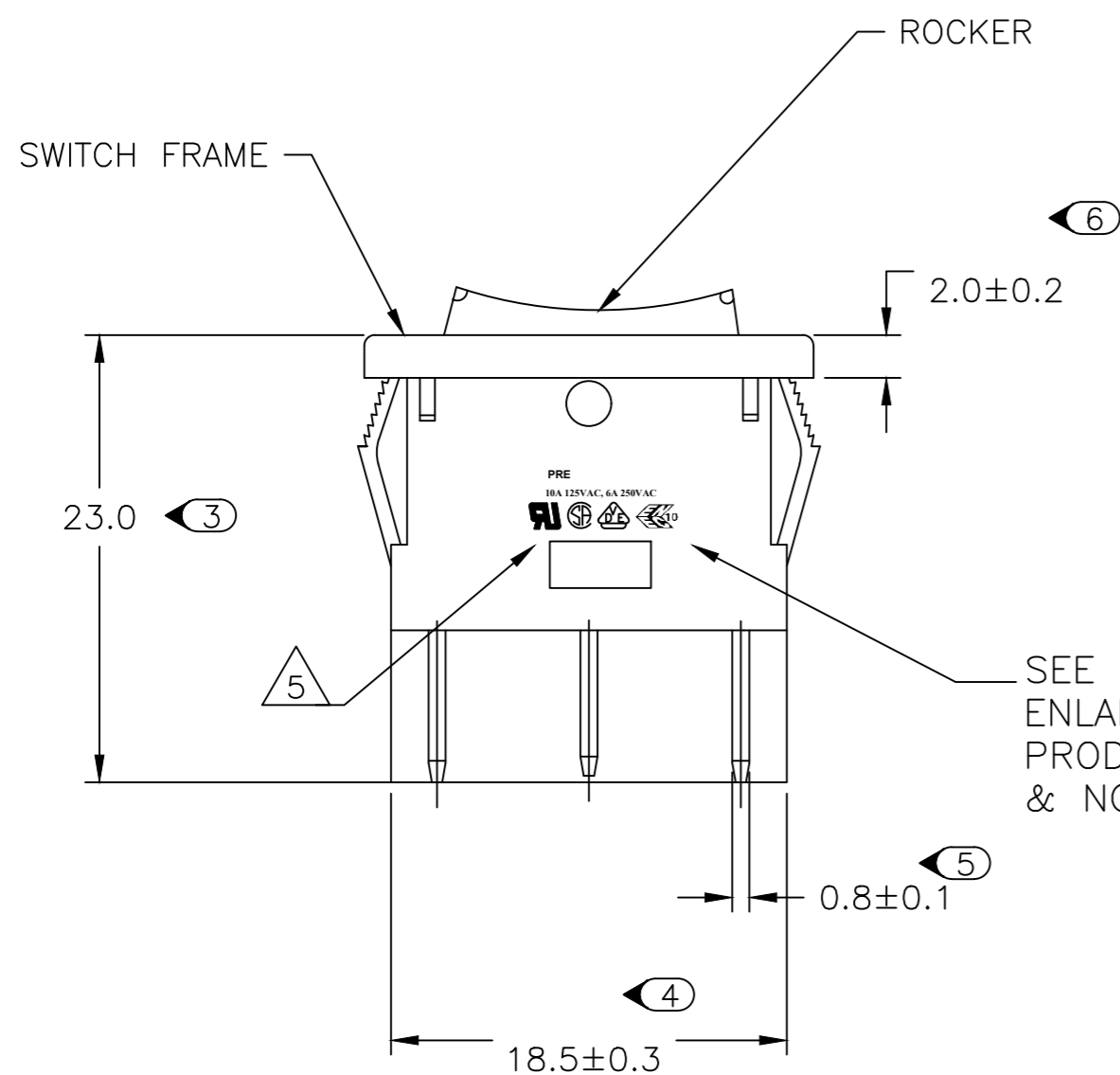
TYCO ELECTRONICS LOGO  
 PER TEC-202-36

8 1-1634200-2 SHOWN ON-ON

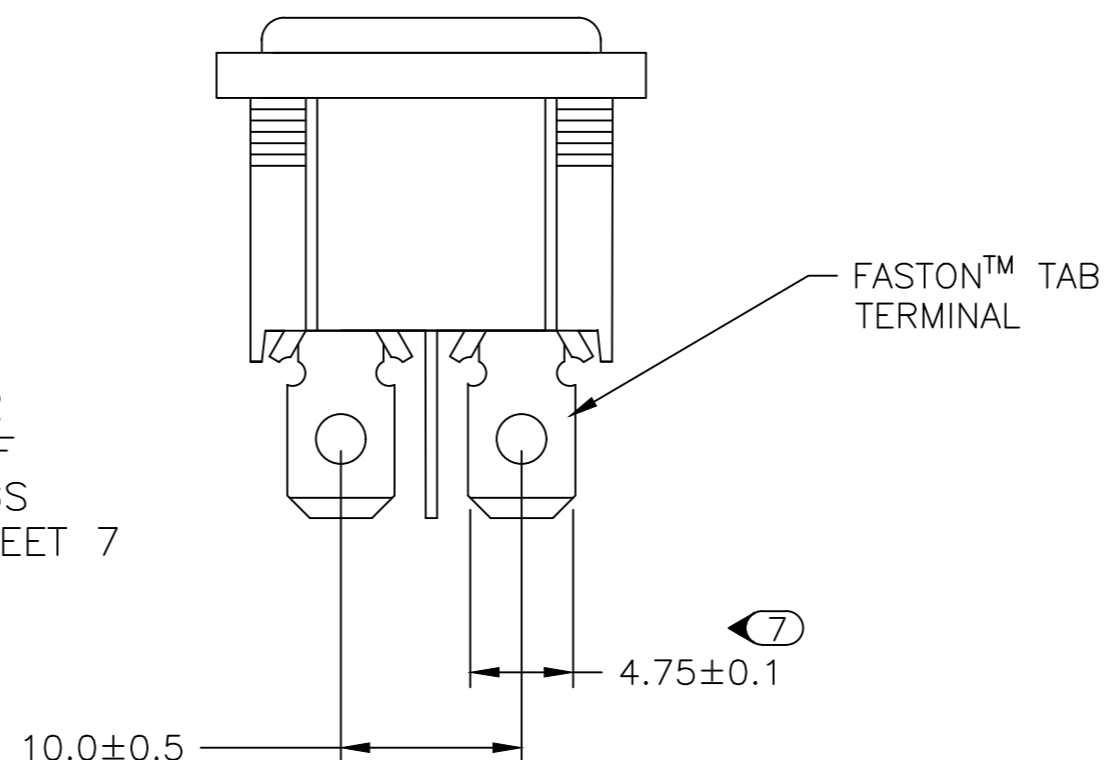
THIS DRAWING IS A CONTROLLED DOCUMENT.		DWN SA008712 2-4-07	TE Connectivity	
DIMENSIONS: mm		CHK -	NAME POWER ROCKER SWITCH 19,4MM X 22,2mm PANEL SIZE DPST, NON-ILLUMINATED	
TOLERANCES UNLESS OTHERWISE SPECIFIED:		APVD -	PRODUCT SPEC -	
0 PLC ± -		PRODUCT SPEC -	APPLICATION SPEC -	
1 PLC ± -		WEIGHT -	SIZE A2	CAGE CODE 00779
2 PLC ± -		DRAWING NO C-1634200		
3 PLC ± -		RESTRICTED TO -		
4 PLC ± -		CUSTOMER DRAWING		
ANGLES ± -		SCALE 3:1	SHEET 3 of 7	REV E1
FINISH -				

THIS DRAWING IS UNPUBLISHED. RELEASED FOR PUBLICATION  
 © COPYRIGHT - By - ALL RIGHTS RESERVED.

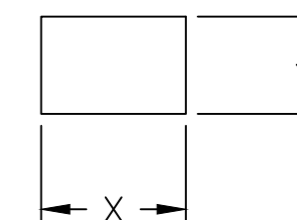
REVISIONS				
P	LTR	DESCRIPTION	DATE	APVD
-	-	SEE SHEET 1	-	-



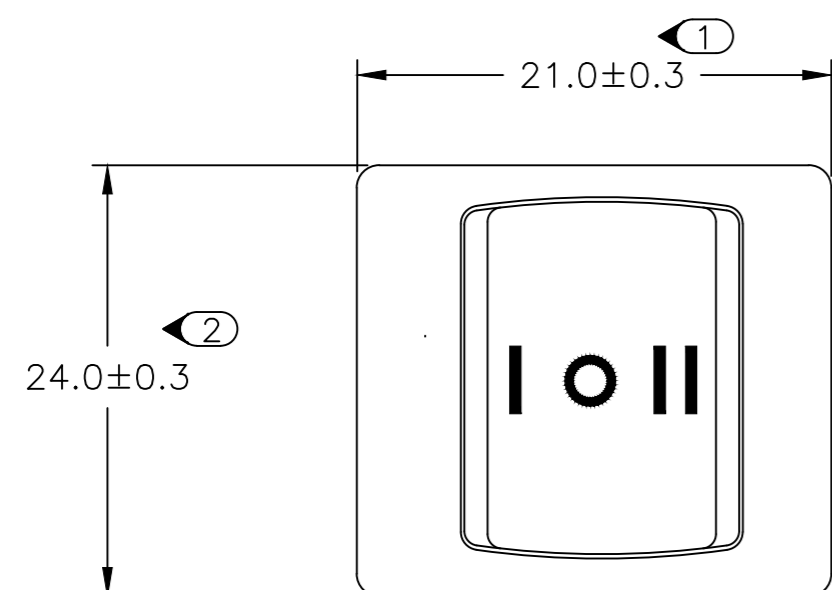
SEE DETAIL A FOR ENLARGED VIEW OF PRODUCT MARKINGS & NOTE 5 ON SHEET 7



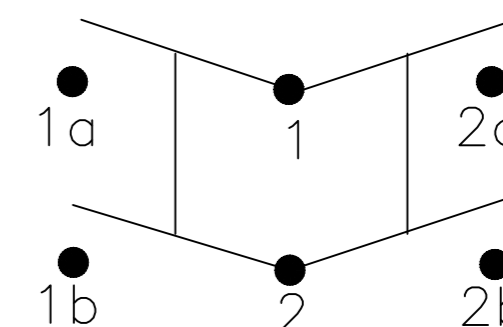
PANEL CUT OUT



2.00-3.00	20.20	22.20
1.25-2.00	19.60	22.20
0.75-1.25	19.40	22.20
PANEL THICKNESS	X	Y

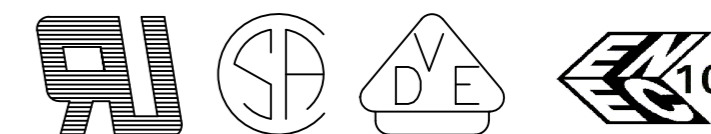


CIRCUIT DIAGRAM



**PRODUCT MARKING  
 DETAIL A**

**PRE  
 10A 125VAC, 6A 250VAC**



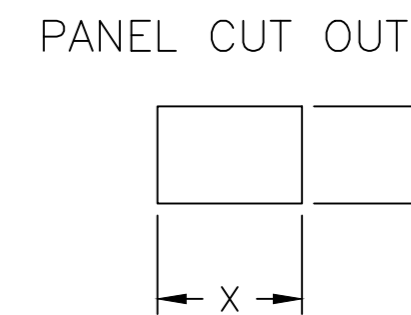
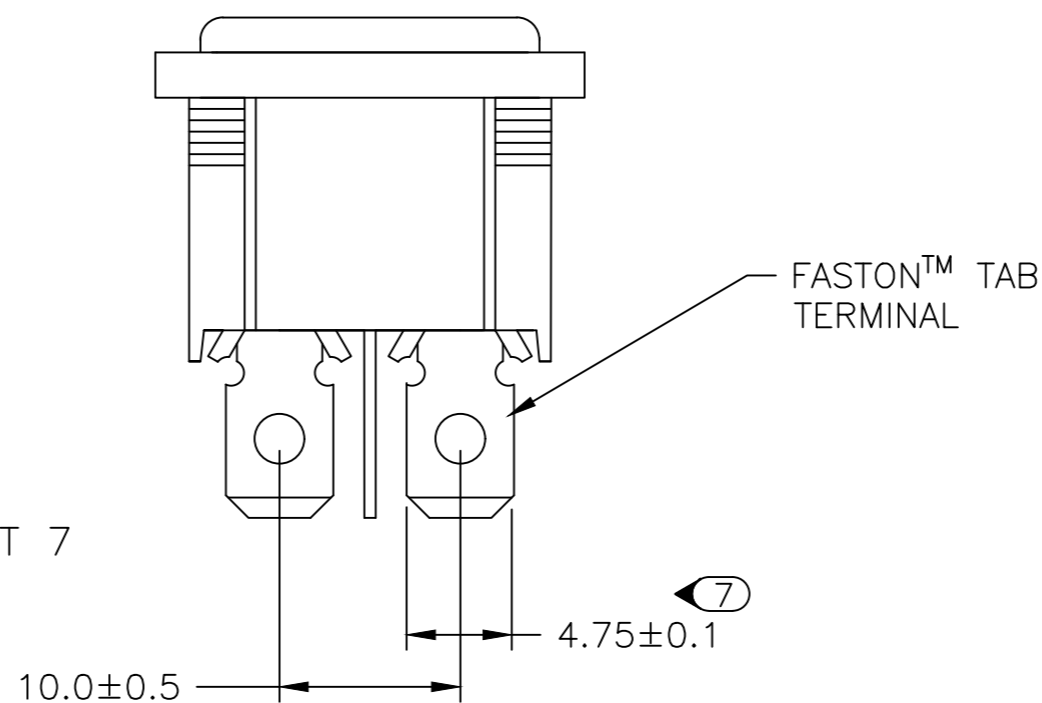
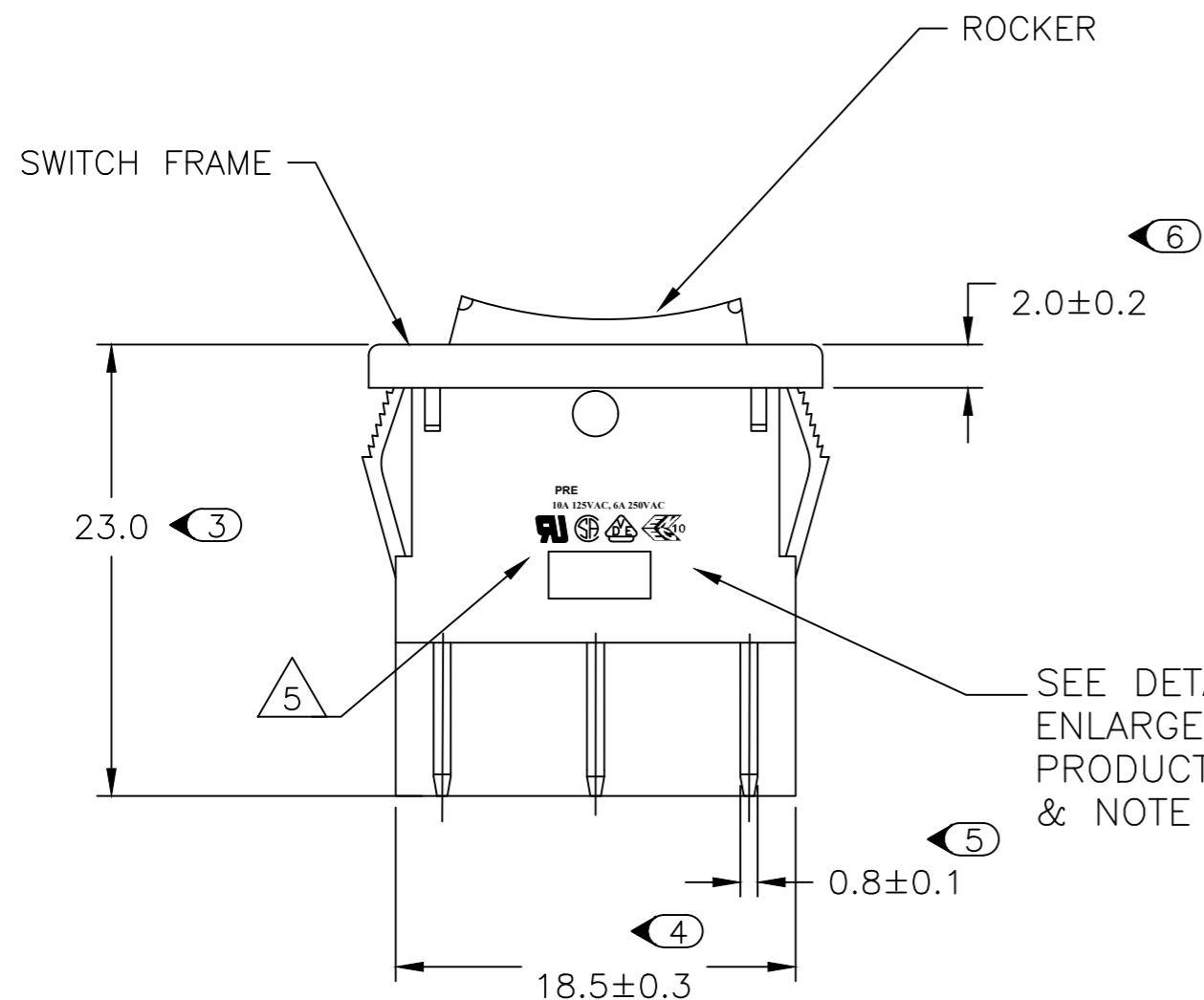
TYCO ELECTRONICS LOGO  
 PER TEC-202-36

9 1-1634200-7 SHOWN ON-OFF-ON

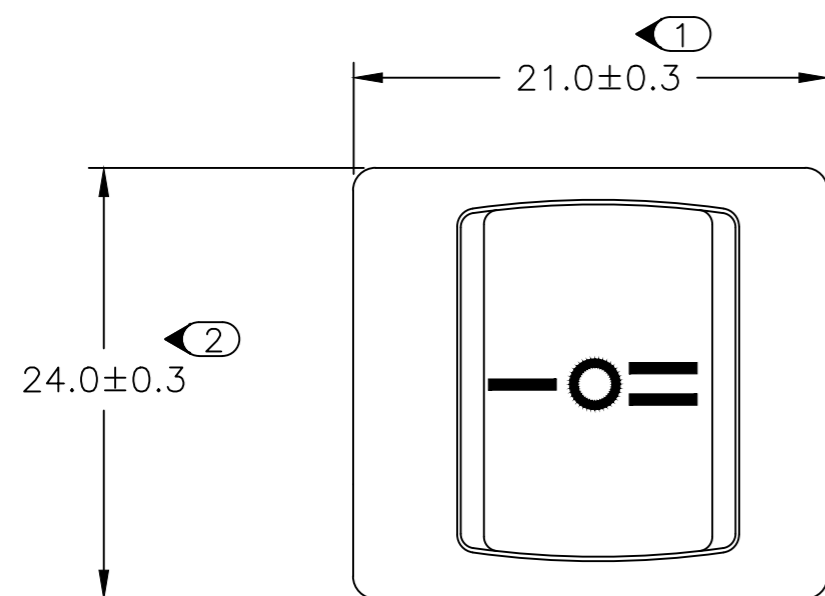
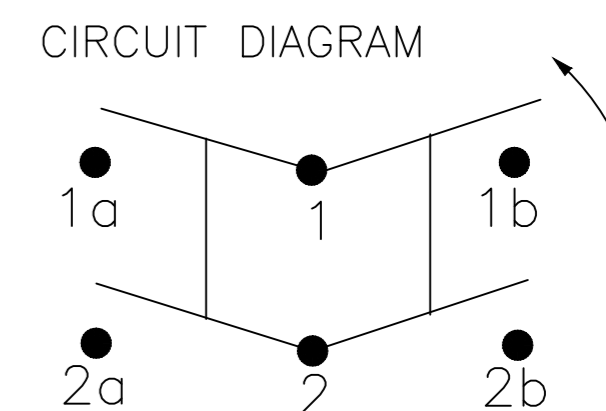
THIS DRAWING IS A CONTROLLED DOCUMENT.		DWN SA008712 2-4-07	TE Connectivity	
DIMENSIONS: mm		CHK -	NAME POWER ROCKER SWITCH 19,4MM X 22,2mm PANEL SIZE DPST, NON-ILLUMINATED	
TOLERANCES UNLESS OTHERWISE SPECIFIED:		APVD -	PRODUCT SPEC -	
0 PLC ± -		PRODUCT SPEC -	APPLICATION SPEC -	
1 PLC ± -		WEIGHT -	SIZE A2	CAGE CODE 00779
2 PLC ± -		DRAWING NO C-1634200		RESTRICTED TO -
3 PLC ± -		CUSTOMER DRAWING		
4 PLC ± -		SCALE 3:1 SHEET 4 of 7 REV E1		
ANGLES ± -				
FINISH -				

THIS DRAWING IS UNPUBLISHED. RELEASED FOR PUBLICATION  
 © COPYRIGHT - By - ALL RIGHTS RESERVED.

REVISIONS				
P	LTR	DESCRIPTION	DATE	APVD
-	-	SEE SHEET 1	-	-

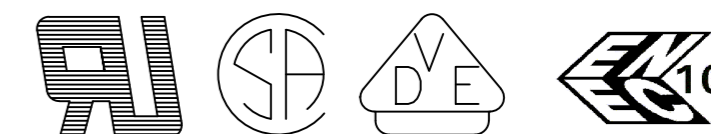


2.00-3.00	20.20	22.20
1.25-2.00	19.60	22.20
0.75-1.25	19.40	22.20
PANEL THICKNESS	X	Y



**PRODUCT MARKING  
 DETAIL A**

**PRE  
 10A 125VAC, 6A 250VAC**



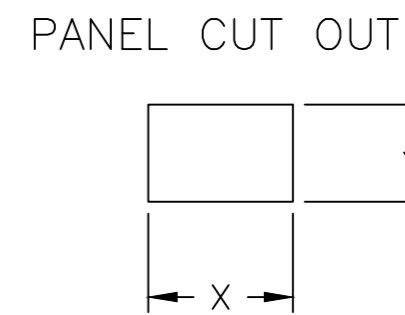
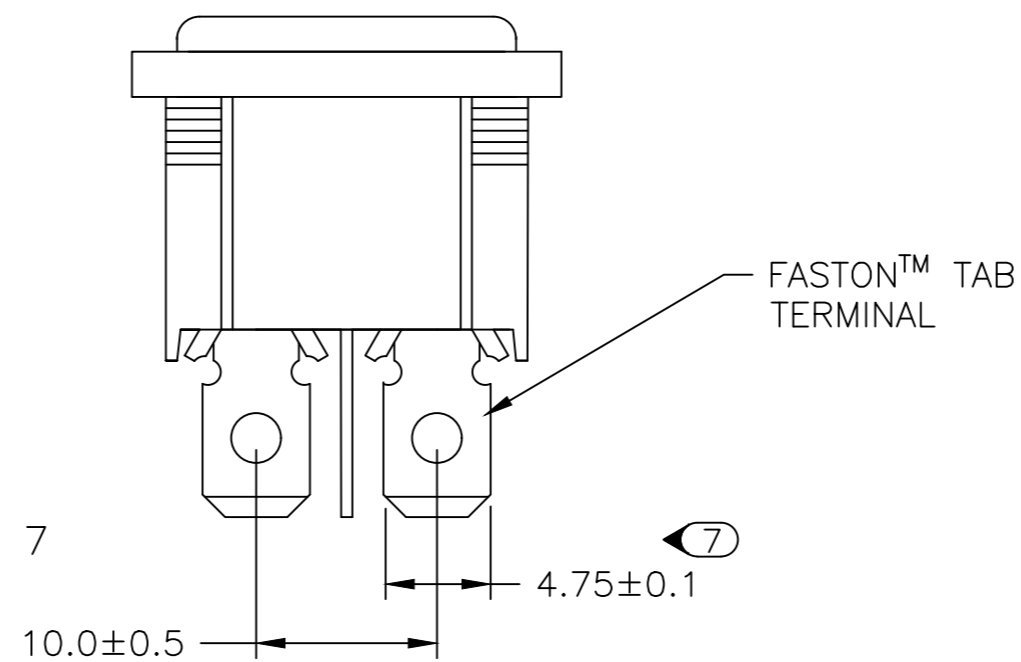
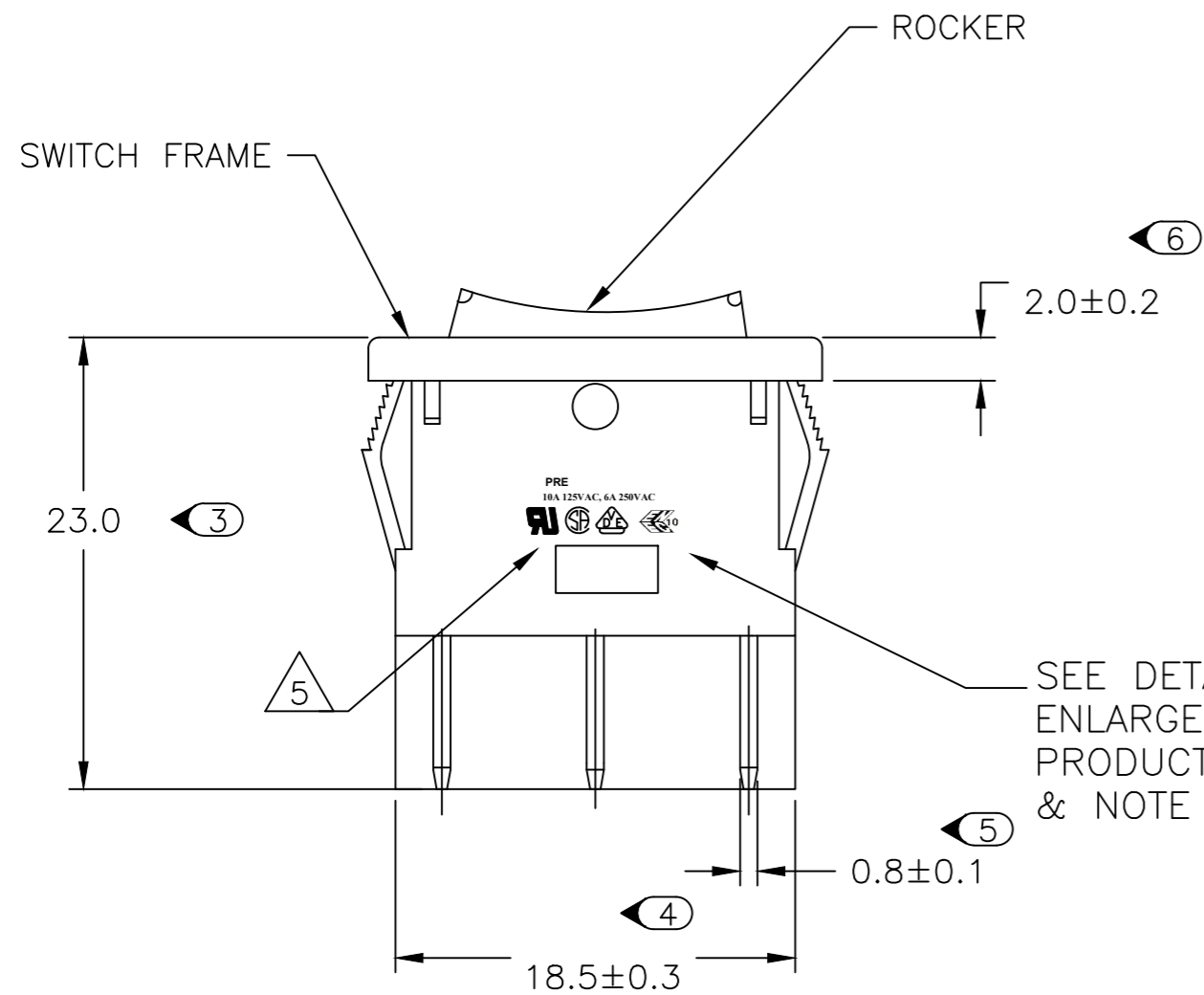
TYCO ELECTRONICS LOGO  
 PER TEC-202-36

10 2-1634200-3 SHOWN ON-OFF-(ON)

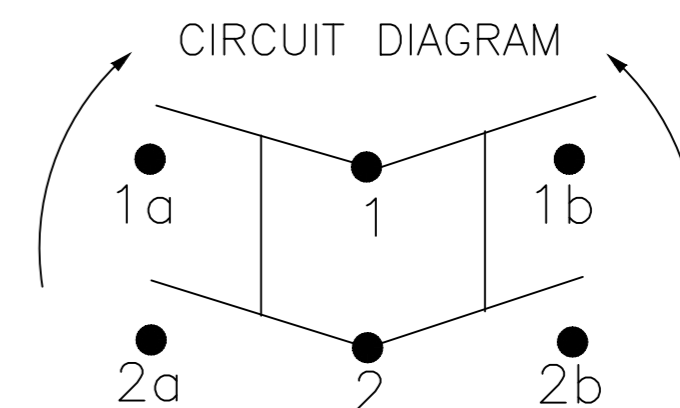
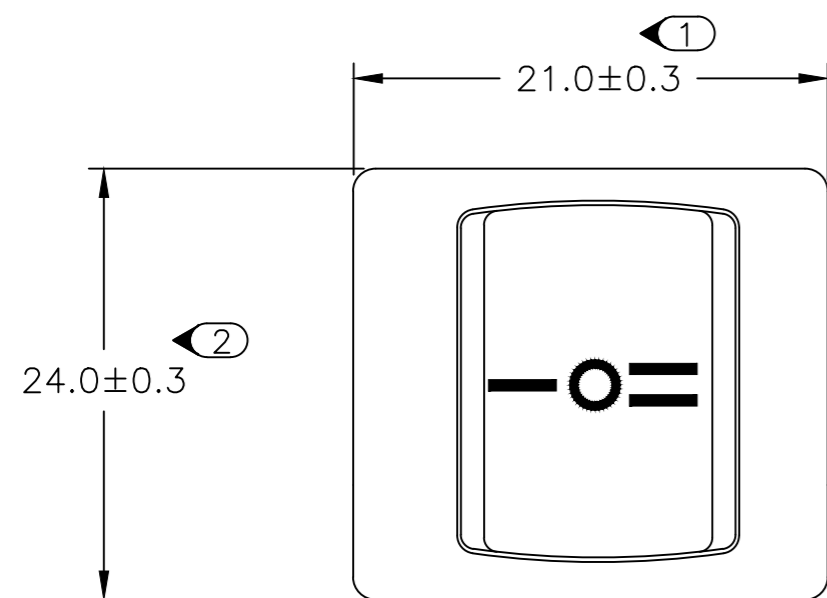
THIS DRAWING IS A CONTROLLED DOCUMENT.		DWN SA008712 2-4-07	TE Connectivity	
DIMENSIONS: mm		CHK -	NAME POWER ROCKER SWITCH 19,4MM X 22,2mm PANEL SIZE DPST, NON-ILLUMINATED	
TOLERANCES UNLESS OTHERWISE SPECIFIED:		APVD -	PRODUCT SPEC -	
0 PLC ± -		PRODUCT SPEC -	APPLICATION SPEC -	
1 PLC ± -		WEIGHT -	SIZE A2	CAGE CODE 00779
2 PLC ± -		FINISH -	DRAWING NO C-1634200	RESTRICTED TO -
3 PLC ± -		CUSTOMER DRAWING		
4 PLC ± -		SCALE 3:1	SHEET 5 of 7	REV E1
ANGLES ± -				

THIS DRAWING IS UNPUBLISHED. RELEASED FOR PUBLICATION  
 © COPYRIGHT - By - ALL RIGHTS RESERVED.

REVISIONS					
P	LTR	DESCRIPTION	DATE	DWN	APVD
-	-	SEE SHEET 1	-	-	-

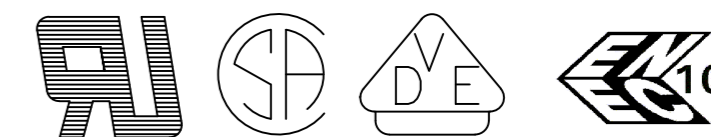


2.00-3.00	20.20	22.20
1.25-2.00	19.60	22.20
0.75-1.25	19.40	22.20
PANEL THICKNESS	X	Y



**PRODUCT MARKING  
 DETAIL A**

**PRE  
 10A 125VAC, 6A 250VAC**



TYCO ELECTRONICS LOGO  
 PER TEC-202-36

11 2-1634200-6 SHOWN (ON)-OFF-(ON)

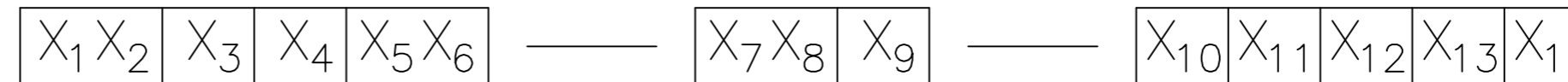
THIS DRAWING IS A CONTROLLED DOCUMENT.		DWN SA008712 2-4-07	TE Connectivity	
DIMENSIONS: mm		CHK -	NAME POWER ROCKER SWITCH 19,4MM X 22,2mm PANEL SIZE DPST, NON-ILLUMINATED	
TOLERANCES UNLESS OTHERWISE SPECIFIED:		APVD -	PRODUCT SPEC -	
0 PLC ± -		PRODUCT SPEC -	APPLICATION SPEC -	
1 PLC ± -		SIZE A2	CAGE CODE 00779	DRAWING NO C-1634200
2 PLC ± -		WEIGHT -	RESTRICTED TO -	
3 PLC ± -		CUSTOMER DRAWING		
4 PLC ± -		SCALE 3:1	SHEET 6 of 7	REV E1
ANGLES ± -				
FINISH -				



THIS DRAWING IS UNPUBLISHED. RELEASED FOR PUBLICATION  
 © COPYRIGHT - By - ALL RIGHTS RESERVED.

REVISIONS				
P	LTR	DESCRIPTION	DATE	APVD
-	-	SEE SHEET 1	-	-

### ALCOSWITCH PART NUMBER



1 MATERIALS:  
 HOUSING FRAME: NYLON 66.  
 ACTUATOR: NYLON 66/ PC(ILLUMINATED)  
 TERMINALS C1100R-1/2H WITH SILVER PLATED CONTACTS  
 AgALLOY

2 FINISH:  
 TERMINAL, ACTIVE CONTACTOR: 1.0µm [.000039] SILVER  
 PLUNGER: 3.0µm[.000118] NICKEL

3 ELECTRICAL SPECIFICATIONS:  
 CONTACT RESISTANCE : 50m ohm Max  
 DIELECTRIC STRENGTH : AC 1500V, 1 MINUTE  
 OPERATION TEMPERATURE: -20°C~85°C  
 INSULATION R: DC 500V 100M ohm MIN

4 CURRENT AND VOLTAGE 10A@125VAC/6A@250VAC

5 ELECTRICAL RATINGS, APPROVED AGENCY LOGOS,  
 TE LOGO PER TEC-202-36 APPROXIMATELY AS SHOWN  
 AND PART NUMBER CAN APPEAR ON EITHER SIDE  
 (FOR FULL DETAIL SEE INDIVIDUAL DRAWING)

6 ON-OFF, WITH OPAQUE, SINGLE-COLOR ROCKER BUTTON.

7 ON-OFF, WITH TRANSPARENT, LAMP-ILLUMINATED ROCKER  
 BUTTON.

8 ON-ON, WITH OPAQUE, SINGLE-COLOR ROCKER BUTTON.

9 ON-OFF-ON, WITH OPAQUE, SINGLE-COLOR ROCKER BUTTON.

10 ON-OFF-(ON), WITH OPAQUE, SINGLE-COLOR ROCKER  
 BUTTON.

11 (ON)-OFF-(ON), WITH OPAQUE, SINGLE-COLOR ROCKER  
 BUTTON.

12 REFER TO QIP DIMENSIONAL REPORT

13 2002/95/EC/(RoHS) COMPLIANT

14 COMPONENT RECOGNIZED TO EUROPEAN STANDARDS (ENEC,  
 PENDING VDE). MARKS LICENSE No. 40006757

SWITCH TYPE: X1X2 = PR - POWER ROCKER

NOMINAL PANEL CUT OUT SIZE: X3 = E - 19.4X22.2 [.764x.874]

NUMBER OF POLES: X4 = D - DOUBLE

SWITCH FUNCTION: X5X6 = A1 -   
B1 -   
D1 -   
D3 -   
D4 -   
D5 -

CURRENT RATING: X7X8 = 07 -

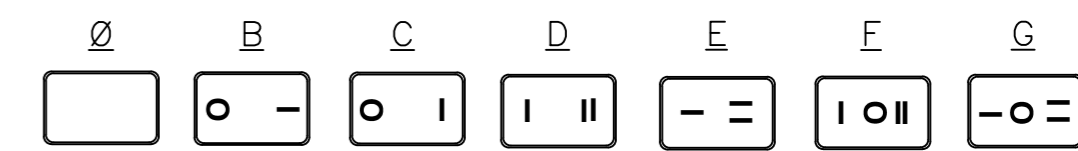
TERMINAL TYPE: X9 = F - FASTON™ TAB  
L - SOLDER LUG

FRAME COLOR: X10 = B - BLACK  
W - WHITE

ROCKER COLOR: X11 = B - BLACK  
G - GREEN  
R - RED  
W - WHITE

SECONDARY ROCKER COLOR: X12 = Ø - NOT APPLICABLE  
B - BLACK  
G - GREEN  
R - RED  
W - WHITE

LEGEND TEXT PATTERN: X13 =



LEGEND TEXT COLOR: X14 = Ø - NOT APPLICABLE  
G - GREEN  
R - RED  
B - BLACK  
W - WHITE

OBSOLETE	1	PREDA1-07F-BB000	1634200-1
	1	PREDA1-07F-BB0BW	1634200-2
	1	PREDA1-07F-BB0CW	1634200-3
	1	PREDA1-07L-BB000	1634200-4
	1	PREDA1-07L-BB0BW	1634200-5
	1	PREDA1-07L-BB0CW	1634200-6
OBSOLETE	2	PREDB1-07F-BR000	1634200-7
	2	PREDB1-07L-BR000	1634200-8
	2	PREDB1-07F-BG000	1634200-9
OBSOLETE	2	PREDB1-07L-BG000	1-1634200-0
	3	PREDD1-07F-BB000	1-1634200-1
	3	PREDD1-07F-BB0DW	1-1634200-2
OBSOLETE	3	PREDD1-07F-BB0EW	1-1634200-3
	3	PREDD1-07L-BB000	1-1634200-4
	3	PREDD1-07L-BB0DW	1-1634200-5
	3	PREDD1-07L-BB0EW	1-1634200-6
OBSOLETE	4	PREDD3-07F-BB0FW	1-1634200-7
	4	PREDD3-07F-BB0GW	1-1634200-8
	4	PREDD3-07L-BB0FW	1-1634200-9
	4	PREDD3-07L-BB0GW	2-1634200-0
OBSOLETE	5	PREDD4-07F-BB000	2-1634200-1
	5	PREDD4-07F-BB0FW	2-1634200-2
	5	PREDD4-07F-BB0GW	2-1634200-3
OBSOLETE	6	PREDD5-07F-BB000	2-1634200-4
	6	PREDD5-07F-BB0FW	2-1634200-5
	6	PREDD5-07F-BB0GW	2-1634200-6
SHEET REF	ALCOSWITCH PART NUMBER.	TE PART NUMBER.	

THIS DRAWING IS A CONTROLLED DOCUMENT.		DWN SA008712 2-4-07	TE Connectivity POWER ROCKER SWITCH 19,4MM X 22,2mm PANEL SIZE DPST, NON-ILLUMINATED	
DIMENSIONS: mm		CHK -		
TOLERANCES UNLESS OTHERWISE SPECIFIED:		APVD -	NAME	
0 PLC ± -		PRODUCT SPEC -	SIZE CAGE CODE DRAWING NO RESTRICTED TO	
1 PLC ± -		APPLICATION SPEC -	A2 00779 C=1634200	
2 PLC ± -		WEIGHT -	SCALE 3:1 SHEET 7 of 7 REV E1	
3 PLC ± -		CUSTOMER DRAWING		
4 PLC ± -				
ANGLES ± -				
FINISH -				

## Данный компонент на территории Российской Федерации

### Вы можете приобрести в компании MosChip.

Для оперативного оформления запроса Вам необходимо перейти по данной ссылке:

<http://moschip.ru/get-element>

Вы можете разместить у нас заказ для любого Вашего проекта, будь то серийное производство или разработка единичного прибора.

В нашем ассортименте представлены ведущие мировые производители активных и пассивных электронных компонентов.

Нашей специализацией является поставка электронной компонентной базы двойного назначения, продукции таких производителей как XILINX, Intel (ex.ALTERA), Vicor, Microchip, Texas Instruments, Analog Devices, Mini-Circuits, Amphenol, Glenair.

Сотрудничество с глобальными дистрибьюторами электронных компонентов, предоставляет возможность заказывать и получать с международных складов практически любой перечень компонентов в оптимальные для Вас сроки.

На всех этапах разработки и производства наши партнеры могут получить квалифицированную поддержку опытных инженеров.

Система менеджмента качества компании отвечает требованиям в соответствии с ГОСТ Р ИСО 9001, ГОСТ РВ 0015-002 и ЭС РД 009

### Офис по работе с юридическими лицами:

105318, г.Москва, ул.Щербаковская д.3, офис 1107, 1118, ДЦ «Щербаковский»

Телефон: +7 495 668-12-70 (многоканальный)

Факс: +7 495 668-12-70 (доб.304)

E-mail: [info@moschip.ru](mailto:info@moschip.ru)

Skype отдела продаж:

moschip.ru

moschip.ru\_4

moschip.ru\_6

moschip.ru\_9