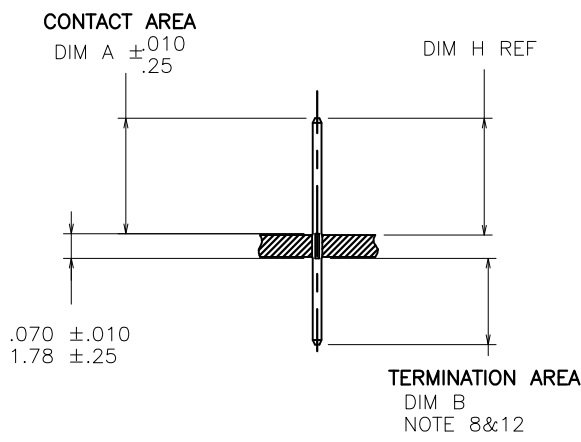
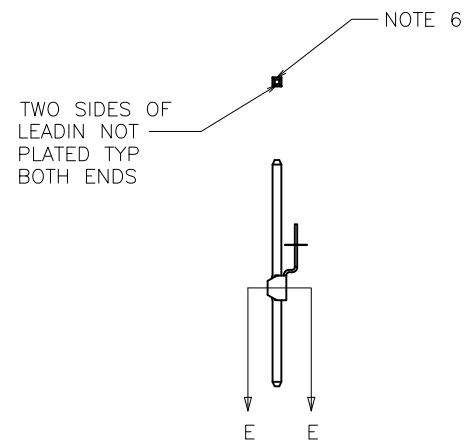
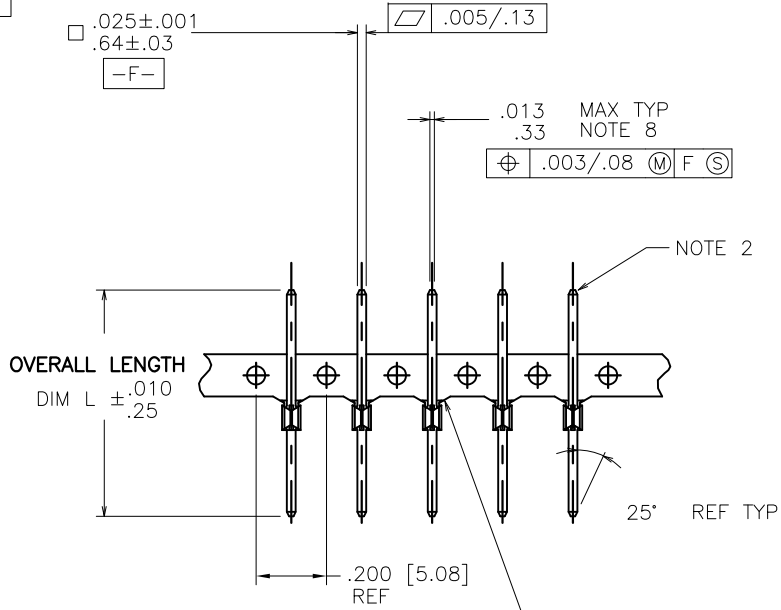


PRODUCT NUMBER
SEE TABLE

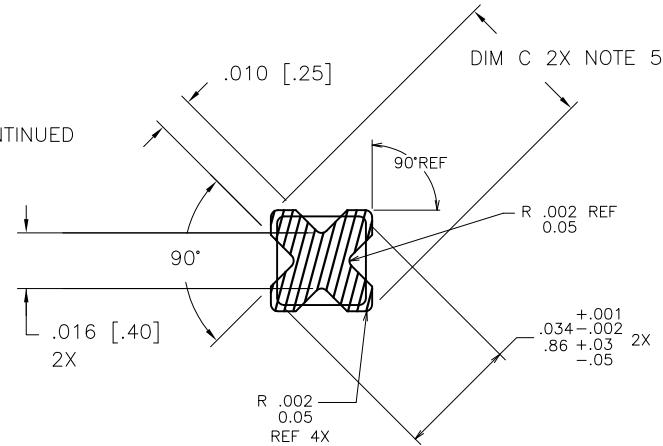


SECTION THRU PC BOARD

mat'l. code		surface		tolerance		projection		product family	
SEE NOTE 1		ASME Y14.5		ASME Y14.5		INCH/MM		PIN PRODUCTS	
ltr	ecm no	dr	date	angles	fin	fin	scale	title	
BC	V08-0353	HTB	2008-08-14		XX*.01/X*.3		1:1	BERGPIN® .200"[5.08]cc	
BD	V08-0496	HTB	2008-11-12		XXX*.005/XXX*.13			.039"[0.99] DIA. STAR	
BE	V10-0386	HTB	2010-10-20	0° ± 2'	XXXX*.0020/XXX*.051			dwg no	
								sheet 1 of 5 size	
AY	V01279	LSS	2000-05-25	enfr	M. CORNMAN			75401 A4	
BA	V05-0399	HTB	2005-04-28	chr	K.D. PATEL			FCI	
BB	V06-0684	HTB	2006-07-21	apdd	E. IORFIDO			type CUSTOMER Drawing	
					E. IORFIDO			1992-12-21	
sheet	revision	BE	BE	BE	BE	BE			
index	sheet	1	2	3	4	5			

PRODUCT NUMBER NOTE 14	PLATING	UNDERPLATING
75401-YYY	30μ" [0.76μ] MIN Au	50μ" [1.27μ] MIN Ni
75401-YYLFL		
75403-YYY	50μ" [1.27μ] MIN Au	50μ" [1.27μ] MIN Ni
75403-YYLFL		
75404-YYY	120μ" [3.05μ] MIN 93/7 SnPb	50μ" [1.27μ] MIN Ni
75404-YYLFL	100μ" [2.54μ] MIN Sn (NOTE 15)	50μ" [1.27μ] MIN Ni
75405-YYY	30μ" [0.76μ] MIN GXT™	50μ" [1.27μ] MIN Ni
75405-YYLFL		
75406-YYY	15μ" [0.38μ] MIN GXT™	50μ" [1.27μ] MIN Ni
75406-YYLFL		
75409-YYY	15μ" [0.38μ] MIN Au	50μ" [1.27μ] MIN Ni
75409-YYLFL		

DISCONTINUED



SCALE 10/1
WITHOUT FERRULE

NOTES:

1. PIN MATERIAL: PHOS-BRONZE 3/4 HARD ASTM B-159-66.
2. BURNISH MARKS ON PIN PERMITTED. BURR .003 [0.08] MAX TYP BULGE .0005 [0.013] MAX TYP.
3. SEE PRODUCT SPECIFICATION BUS-12-064 FOR P.C. BOARD HOLE DIAMETER AND P.C. BOARD HOLE PLATING INFORMATION.
4. FOR MANUFACTURING PURPOSES ONLY.
5. THE .039+.001, -.002 [0.99+.03, -.05] FEATURE SHALL BE CONCENTRIC TO THE WIRE DIAGONAL WITHIN .004 [0.10] TIR.
6. .002 [0.05] R MAX TYP 4 PLACES ON WIRE WRAP PORTION OF PIN.
7. USE FIRST TWO DIGITS OF "H" DIMENSION FOR DASH NUMBER OF PUNCH FROM MACHINE EPL;

EXAMPLE:	PUNCH P/N FROM EPL
75402-001 "H" .062 [1.57]. BD,=.235	BP161A-XXXXXX-023
	BP151 -YYYYY-023
	BP171 -ZZZZZ-023
8. IF "B" DIM. IS .235 [5.96] OR LESS, THE MAX. FLAT MAY BE .016 [0.41].
9. TOLERANCE: +.001 [0.03], -.002 [0.05].
10. TOLERANCE: ±.001 [0.03].
11. NOT RECOMMENDED FOR BP 161 STYLE MACHINES.
12. IF DIMENSION B IS LESS THAN .030 [0.76], THE MAX FLAT MAY BE .016 [0.41] REF WITH .010 [0.25] LONG LEAD-IN ANGLES.

13. CENTER LINE OF TERMINAL MUST BE IN A TRUE POSITION WITHIN .015 [0.38] DIA. WITH RESPECT TO THE HOLE AXIS AFTER INSERTION IN PC BOARD.
14. ADD AN LF SUFFIX TO PART NUMBERS FOR PRODUCT THAT MEETS EUROPEAN UNION DIRECTIVES AND OTHER COUNTRY REGULATIONS AS DESCRIBED IN GS-22-008.
15. THIS PRODUCT HAS 100% TIN PLATING IN THE INTERFACE AND HAS NOT BEEN TESTED FOR WHISKER GROWTH IN ALL INTERCONNECT ENVIRONMENTS.

mat'l. code		surface		tolerance		projection		product family	
SEE NOTE 1		ASME Y14.5		ASME Y14.5		INCH/MM		PIN PRODUCTS	
ltr	ecn no	dr	date	tolerances unless otherwise specified		INCH/MM		title	
BE				angles	XX*.01/X*.3			BERGPIN® .200"[5.08]cc	
				0° ±2'	XXX*.005/XX*.13	scale 1:1		.039"[0.99] DIA. STAR	
					XXXX*.0020/XXX*.051			dwg no	
		dr	M. CORNMAN	1990-02-22		FCI		sheet 2 of 5 size	
		engr	K.D. PATEL	1990-02-22				75401 A4	
		chr	E. IORFIDO	1992-12-21				type	
		appd	E. IORFIDO	1992-12-21				CUSTOMER Drawing	
sheet index	revision sheet								



PRODUCT NUMBER NOTE 14	CONTACT AREA DIM A	TERMINATION AREA DIM B	DIM C		DIM H FOR .062 BOARD 1.57	DIM H FOR .093 BOARD 2.36	DIM H FOR .125 BOARD 3.18	OVERALL LENGTH DIM L	CUSTOMER RESTRICTED
7540X-001	.230/5.84	.045/1.14	.039/.99	NOTE 9	.235/5.97	.220/5.59	.205/5.21	.345/8.76	NO
7540X-002	.265/6.73	.045/1.14	.039/.99	NOTE 9	.270/6.86	.255/6.48	.240/6.10	.380/9.65	NO
7540X-003	.345/8.76	.045/1.14	.039/.99	NOTE 9	.350/8.89	.335/8.51	.320/8.13	.460/11.68	NO
7540X-004	.400/10.16	.045/1.14	.039/.99	NOTE 9	.405/10.29	.390/9.91	.375/9.53	.515/13.08	NO
7540X-005	.415/10.54	.045/1.14	.039/.99	NOTE 9	.420/10.67	.405/10.29	.390/9.91	.530/13.46	NO
7540X-006	.435/11.05	.045/1.14	.039/.99	NOTE 9	.440/11.18	.425/10.80	.410/10.41	.550/13.97	NO
7540X-007	.465/11.81	.045/1.14	.039/.99	NOTE 9	.470/11.94	.455/11.56	.440/11.18	.580/14.73	NO
7540X-008	.515/13.08	.045/1.14	.039/.99	NOTE 9	.520/13.21	.505/12.83	.490/12.45	.630/16.00	NO
7540X-009	.570/14.48	.045/1.14	.039/.99	NOTE 9	.575/14.61	.560/14.22	.545/13.84	.685/17.40	NO
7540X-010	.585/14.86	.045/1.14	.039/.99	NOTE 9	.590/14.99	.575/14.61	.560/14.22	.700/17.78	NO
7540X-011	.635/16.13	.045/1.14	.039/.99	NOTE 9	.640/16.26	.625/15.88	.610/15.49	.750/19.05	NO
7540X-012	.655/16.64	.045/1.14	.039/.99	NOTE 9	.660/16.76	.645/16.38	.630/16.00	.770/19.56	NO
7540X-013	.745/18.92	.045/1.14	.039/.99	NOTE 9	.750/19.05	.735/18.67	.720/18.29	.860/21.84	NO
7540X-014	.265/6.73	.245/6.22	.039/.99	NOTE 9	.270/6.86	.255/6.48	.240/6.10	.580/14.73	NO
7540X-015	.345/8.76	.245/6.22	.039/.99	NOTE 9	.350/8.89	.335/8.51	.320/8.13	.660/16.76	NO
7540X-016	.400/10.16	.245/6.22	.039/.99	NOTE 9	.405/10.29	.390/9.91	.375/9.53	.715/18.16	NO
7540X-017	.465/11.81	.245/6.22	.039/.99	NOTE 9	.470/11.94	.455/11.56	.440/11.18	.780/19.81	NO
7540X-018	.570/14.48	.245/6.22	.039/.99	NOTE 9	.575/14.61	.560/14.22	.545/13.84	.885/22.48	NO
7540X-019	.625/15.88	.245/6.22	.039/.99	NOTE 9	.630/16.00	.615/15.62	.600/15.24	.940/23.88	NO
7540X-020	.655/16.64	.245/6.22	.039/.99	NOTE 9	.660/16.76	.645/16.38	.630/16.00	.970/24.64	NO
7540X-021	.265/6.73	.355/9.02	.039/.99	NOTE 9	.270/6.86	.255/6.48	.240/6.10	.690/17.53	NO
7540X-022	.345/8.76	.355/9.02	.039/.99	NOTE 9	.350/8.89	.335/8.51	.320/8.13	.770/19.56	NO
7540X-023	.400/10.16	.355/9.02	.039/.99	NOTE 9	.405/10.29	.390/9.91	.375/9.53	.825/20.96	NO
7540X-024	.465/11.81	.355/9.02	.039/.99	NOTE 9	.470/11.94	.455/11.56	.440/11.18	.890/22.61	NO
7540X-025	.570/14.48	.355/9.02	.039/.99	NOTE 9	.575/14.61	.560/14.22	.545/13.84	.995/25.27	NO
7540X-026	.625/15.88	.355/9.02	.039/.99	NOTE 9	.630/16.00	.615/15.62	.600/15.24	1.050/26.67	NO
7540X-027	.655/16.64	.355/9.02	.039/.99	NOTE 9	.660/16.76	.645/16.38	.630/16.00	1.080/27.43	NO
7540X-028	.305/7.75	.035/0.89	.039/.99	NOTE 9	.310/7.87	.295/7.49	.280/7.11	.410/10.41	NO
7540X-029	.755/19.18	.345/8.76	.039/.99	NOTE 9	.760/19.30	.745/18.92	.730/18.54	1.170/29.72	NO
7540X-030	.710/18.03	.345/8.76	.039/.99	NOTE 9	.715/18.16	.700/17.78	.685/17.40	1.125/28.58	NO
7540X-031	.545/13.84	.198/5.03	.039/.99	NOTE 9	.550/13.97	.535/13.59	.520/13.21	.813/20.65	NO
7540X-032									DISCONTINUED
7540X-033	.335/8.51	.375/9.53	.039/.99	NOTE 9	.340/8.64	.325/8.26	.310/7.87	.780/19.81	NO
7540X-034	.535/13.59	.045/1.14	.039/.99	NOTE 9	.540/13.72	.525/13.34	.510/12.95	.650/16.51	NO
7540X-035	.560/14.22	.260/6.60	.039/.99	NOTE 9	.565/14.35	.550/13.97	.535/13.59	.890/22.61	NO

DISCONTINUED

mat'l. code		surface		tolerance		projection		product family	
SEE NOTE 1		ASME Y14.5		ASME Y14.5				PIN PRODUCTS	
ltr	ecr no	dr	date	tolerances unless otherwise specified				title	
BE				angles	XX+01/XX+3	INCH/MM		BERGPIN® .200"[5.08]cc	
				0° ±2'	XXX+005/XXX+13	scale 1:1		.039"[0.99] DIA. STAR	
					XXXX+0020/XXX+051			dwg no	
				dr	M. CORNMAN	1990-02-22		sheet 3 of 5	
				engr	K.D. PATEL	1990-02-22		size	
				chr	E. IORFIDO	1992-12-21		75401	
				appd	E. IORFIDO	1992-12-21		A4	
sheet index	revision sheet							type CUSTOMER Drawing	



PRODUCT NUMBER NOTE 14	CONTACT AREA DIM A	TERMINATION AREA DIM B	DIM C	DIM H FOR .062 1.57 BOARD	DIM H FOR .093 2.36 BOARD	DIM H FOR .125 3.18 BOARD	OVERALL LENGTH DIM L	CUSTOMER RESTRICTED
7540X-036	.510/12.95	.381/9.68	.039/.99 NOTE 9	.515/13.08	.500/12.70	.485/12.32	.961/24.41	NO
7540X-037	.325/8.26	.101/2.57	.039/.99 NOTE 9	.330/8.38	.315/8.00	.300/7.62	.496/12.60	NO
7540X-038	.595/15.11	.330/8.38	.039/.99 NOTE 9	.600/15.24	.585/14.86	.570/14.48	.995/25.27	NO
7540X-039	.755/19.18	.065/1.65	.039/.99 NOTE 9	.760/19.30	.745/18.92	.730/18.54	.890/22.61	NO
7540X-040	.315/8.00	.395/10.03	.039/.99 NOTE 9	.320/8.13	.305/7.75	.290/7.37	.780/19.81	NO
7540X-041	.230/5.84	.080/2.03	.039/.99 NOTE 9	.235/5.97	.220/5.59	.205/5.21	.380/9.65	NO
7540X-042	.870/22.10	.045/1.14	.039/.99 NOTE 9	.875/22.23	.860/21.84	.845/21.46	.985/25.02	NO
7540X-043	.504/12.80	.329/8.36	.039/.99 NOTE 9	.509/12.80	.494/12.55	.479/12.17	.900/22.86	NO
7540X-044	.324/8.23	.056/1.42	.039/.99 NOTE 9	.329/8.36	.314/7.98	.299/7.60	.450/11.43	NO
7540X-045	.499/12.68	.056/1.42	.039/.99 NOTE 9	.504/12.80	.489/12.42	.474/12.04	.625/15.88	NO
7540X-046	.430/10.92	.535/13.59	.039/.99 NOTE 9	.435/11.05	.420/10.67	.405/10.29	1.035/26.29	NO
7540X-047	.375/9.53	.070/1.78	.039/.99 NOTE 9	.380/9.65	.365/9.27	.350/8.89	.515/13.08	NO
7540X-048	.375/9.53	.275/6.99	.039/.99 NOTE 9	.380/9.68	.365/9.27	.350/8.89	.720/18.29	NO
7540X-049	.545/13.84	.070/1.78	.039/.99 NOTE 9	.550/13.97	.535/13.59	.520/13.21	.685/17.40	NO
7540X-050	.313/7.95	.317/8.05	.039/.99 NOTE 9	.318/8.08	.303/7.70	.288/7.32	.700/17.78	NO
7540X-051	.320/8.13	.045/1.14	.039/.99 NOTE 9	.325/8.26	.310/7.87	.295/7.49	.435/11.05	NO
7540X-052	.620/15.75	.590/14.99	.039/.99 NOTE 9	.625/15.88	.610/15.49	.595/15.11	1.280/32.51	NO
7540X-053	.245/6.22	.045/1.14	.039/.99 NOTE 9	.250/6.35	.235/5.97	.220/5.59	.360/9.14	NO
7540X-054	.623/15.82	.270/6.86	.039/.99 NOTE 9	.628/15.95	.613/15.57	.598/15.19	.963/24.46	NO
7540X-055	.684/17.37	.046/1.17	.039/.99 NOTE 9	.689/17.50	.674/17.12	.659/16.74	.800/20.32	NO
7540X-056	.295/7.49	.187/4.75	.039/.99 NOTE 9	.300/7.62	.285/7.24	.270/6.86	.552/14.02	NO
7540X-057	.785/19.94	.045/1.14	.039/.99 NOTE 9	.790/20.07	.775/19.69	.760/19.30	.900/22.86	NO
7540X-058	.747/18.97	.518/13.16	.039/.99 NOTE 9	.752/19.10	.737/18.72	.722/18.34	1.335/33.91	NO
7540X-059	.230/5.84	.130/3.30	.039/.99 NOTE 9	.235/5.97	.220/5.59	.205/5.20	.430/10.99	NO
7540X-060	.400/10.16	.440/11.18	.039/.99 NOTE 9	.405/10.29	.390/9.91	.375/9.53	.910/23.11	NO
7540X-061	.280/7.11	.192/4.88	.039/.99 NOTE 9	.285/7.24	.270/6.86	.255/6.48	.542/13.77	NO
7540X-062	.280/7.11	.085/2.16	.039/.99 NOTE 9	.285/7.24	.270/6.86	.255/6.48	.435/11.05	NO
7540X-063	.100/2.54	.050/1.27	.039/.99 NOTE 9	.105/2.67	N/A	N/A	.220/5.59	NO
7540X-064	.380/9.65	.650/16.51	.038/.97 NOTE 10	.385/9.78	.370/9.40	.355/9.02	1.100/27.94	YES
7540X-065	.610/15.49	.030/.76	.038/.97 NOTE 10	.615/15.62	.600/15.24	.585/14.86	.710/18.03	YES
7540X-066	.822/20.88	.045/1.14	.039/.99 NOTE 9	.827/21.01	.812/20.63	.797/20.24	.937/23.80	NO
7540X-067	.940/23.88	.045/1.14	.039/.99 NOTE 9	.945/24.00	.935/23.75	.920/23.37	1.055/26.80	NO
7540X-068	.194/4.93	.042/1.07	.039/.99 NOTE 9	.196/4.98	.181/4.60	.165/4.19	.306/7.77	NO
7540X-069	.944/23.98	.041/1.04	.039/.99 NOTE 9	.948/24.08	.933/23.69	.917/23.29	1.055/26.80	NO
7540X-070	.650/16.51	.380/9.65	.039/.99 NOTE 9	.655/16.64	.640/16.26	.625/15.88	1.100/27.94	NO

NOTE 11

mat'l. code		SEE NOTE 1		surface		tolerance		projection		product family	
				ASME Y14.5		ASME Y14.5				PIN PRODUCTS	
ltr		ecn no		dr		date		tolerances unless otherwise specified		title	
BE								angles		BERGPIN® .200"[5.08]cc .039"[0.99] DIA. STAR	
								inches		INCH/MM	
								0' ±2'		scale 1:1	
								dr		M. CORNMAN 1990-02-22	
								engr		K.D. PATEL 1990-02-22	
								chr		E. IORFIDO 1992-12-21	
								appd		E. IORFIDO 1992-12-21	
sheet index		revision sheet								FCI	
										dwg no 75401 sheet 4 of 5 size A4	
										type CUSTOMER Drawing	



PRODUCT NUMBER NOTE 14	CONTACT AREA DIM A	TERMINATION AREA DIM B	DIM C	DIM H FOR .062 BOARD 1.57	DIM H FOR .093 BOARD 2.36	DIM H FOR .125 BOARD 3.18	OVERALL LENGTH DIM L	CUSTOMER RESTRICTED	
7540X-071	.610/15.49	.044/1.12	.039/.99 NOTE 9	.614/15.59	.599/15.21	.583/14.81	.724/18.39	NO	NOTE 11
7540X-072	.160/4.06	.030/.76	.039/.99 NOTE 9	.165/4.19	.150/3.81	.135/3.43	.260/6.60	NO	
7540X-073	1.094/27.79	.037/.94	.039/.99 NOTE 9	1.098/27.89	1.083/27.51	1.067/27.10	1.201/30.51	NO	NOTE 12
7540X-074	.216/5.49	.024/.61	.039/.99 NOTE 9	.220/5.59	.205/5.21	.190/4.83	.310/7.87	NO	
7540X-075	.650/16.51	.380/9.65	.038/.97 NOTE 10	.655/16.64	.640/16.26	.625/15.88	1.100/27.94	YES	
7540X-076	.295/7.49	.025/.64	.039/.99 NOTE 9	.300/7.62	.285/7.23	.270/6.85	.390/9.91	NO	
7540X-077	.428/10.87	.025/.64	.039/.99 NOTE 9	.433/10.99	.418/10.61	.403/10.23	.523/13.28	NO	
7540X-078	.530/13.46	.025/.64	.039/.99 NOTE 9	.535/13.58	.520/13.20	.505/12.82	.625/15.88	NO	
7540X-079	.595/15.11	.025/.64	.039/.99 NOTE 9	.600/15.24	.585/14.85	.570/14.47	.690/17.53	NO	
7540X-080	.665/16.89	.025/.64	.039/.99 NOTE 9	.670/17.01	.655/16.63	.640/16.25	.760/19.30	NO	
7540X-081	.368/9.35	.045/1.14	.039/.99 NOTE 9	.373/9.47	.358/9.09	.343/8.71	.483/12.27	NO	NOTE 12
7540X-082	.846/21.49	.045/1.14	.038/.97 NOTE 10	.851/21.61	.836/21.23	.821/20.85	.961/24.41	NO	
7540X-083	.519/13.18	.502/12.75	.039/.99 NOTE 9	.549/13.94	.534/13.56	.519/13.18	1.091/27.71	NO	
7540X-084	.630/16.00	.159/4.04	.039/.99 NOTE 9	.635/16.13	.620/15.75	.605/15.37	.859/21.82	NO	
7540X-085	.519/13.18	.171/4.34	.039/.99 NOTE 9	.524/13.31	.509/12.93	.494/12.55	.760/19.30	NO	
7540X-086	.926/23.52	.437/11.10	.039/.99 NOTE 9	.931/23.65	.916/23.27	.901/22.89	1.433/36.40	NO	
7540X-087	.230/5.84	.045/1.14	.037/.94 NOTE 10	.235/5.97	.220/5.59	.205/5.21	.345/8.76	NO	
7540X-088LF	.320/8.13	.045/1.14	.036/.91 NOTE 10	.325/8.26	.310/7.87	.295/7.49	.435/11.05	NO	

A

A

B

B

mat'l. code SEE NOTE 1		surface ASME Y14.5 <input checked="" type="checkbox"/> ASME Y14.5		tolerance tolerances unless otherwise specified		projection 		product family PIN PRODUCTS	
ltr	ecn no	dr	date	angles	inches	INCH/MM		title BERGPIN® .200"[5.08]cc .039"[0.99] DIA. STAR	
BE				0° ±2'	mm	scale 1:1		dwg no 75401	
						FCI		sheet 5 of 5 size A4	
				dr	M. CORNMAN	1990-02-22		type CUSTOMER Drawing	
				engr	K.D. PATEL	1990-02-22			
				chr	E. IORFIDO	1992-12-21			
				appd	E. IORFIDO	1992-12-21			
sheet index	revision sheet								

Данный компонент на территории Российской Федерации

Вы можете приобрести в компании MosChip.

Для оперативного оформления запроса Вам необходимо перейти по данной ссылке:

<http://moschip.ru/get-element>

Вы можете разместить у нас заказ для любого Вашего проекта, будь то серийное производство или разработка единичного прибора.

В нашем ассортименте представлены ведущие мировые производители активных и пассивных электронных компонентов.

Нашей специализацией является поставка электронной компонентной базы двойного назначения, продукции таких производителей как XILINX, Intel (ex.ALTERA), Vicor, Microchip, Texas Instruments, Analog Devices, Mini-Circuits, Amphenol, Glenair.

Сотрудничество с глобальными дистрибьюторами электронных компонентов, предоставляет возможность заказывать и получать с международных складов практически любой перечень компонентов в оптимальные для Вас сроки.

На всех этапах разработки и производства наши партнеры могут получить квалифицированную поддержку опытных инженеров.

Система менеджмента качества компании отвечает требованиям в соответствии с ГОСТ Р ИСО 9001, ГОСТ РВ 0015-002 и ЭС РД 009

Офис по работе с юридическими лицами:

105318, г.Москва, ул.Щербаковская д.3, офис 1107, 1118, ДЦ «Щербаковский»

Телефон: +7 495 668-12-70 (многоканальный)

Факс: +7 495 668-12-70 (доб.304)

E-mail: info@moschip.ru

Skype отдела продаж:

moschip.ru

moschip.ru_4

moschip.ru_6

moschip.ru_9