

# Wireless Audio Link IC

## BH1415F

The BH1415F is a FM stereo transmitter IC that transmits simple configuration. The IC consists of a stereo modulator for generating stereo composite signals and a FM transmitter for broadcasting a FM signal on the air. The stereo modulator generates a composite signal which consists of the MAIN, SUB, and pilot signal from a 38kHz oscillator. The FM transmitter radiates FM wave on the air by modulating the carrier signal with a composite signal.

### ●Applications

CD changer, Car TV, Car navigation, Wireless speakers, Personal computer (sound board), Game machine

### ●Features

- 1) It is possible to improve the timbre because it has the pre-emphasis circuit, limiter circuit, and the low-pass filter circuit.
- 2) Built-in pilot-tone system FM stereo modulator circuit.
- 3) The transmission frequency is stable because it has a PLL system FM transmitter circuit.
- 4) PLL data input (CE, CK, DA) by serial input.

### ●Absolute maximum ratings (Ta = 25°C, In measurement circuit.)

Parameter	Symbol	Limits	Unit	Conditions
Supply voltage	V <sub>CC</sub>	+7.0	V	Pin8,12
Data input voltage	V <sub>IN-D</sub>	-0.3 to V <sub>CC</sub> +0.3	V	Pin15,16,17,18
Phase comparator output voltage	V <sub>OUT-P</sub>	-0.3 to V <sub>CC</sub> +0.3	V	Pin7
Power dissipation	P <sub>d</sub>	450*	mW	
Storage temperature	T <sub>stg</sub>	-55 to +125	°C	

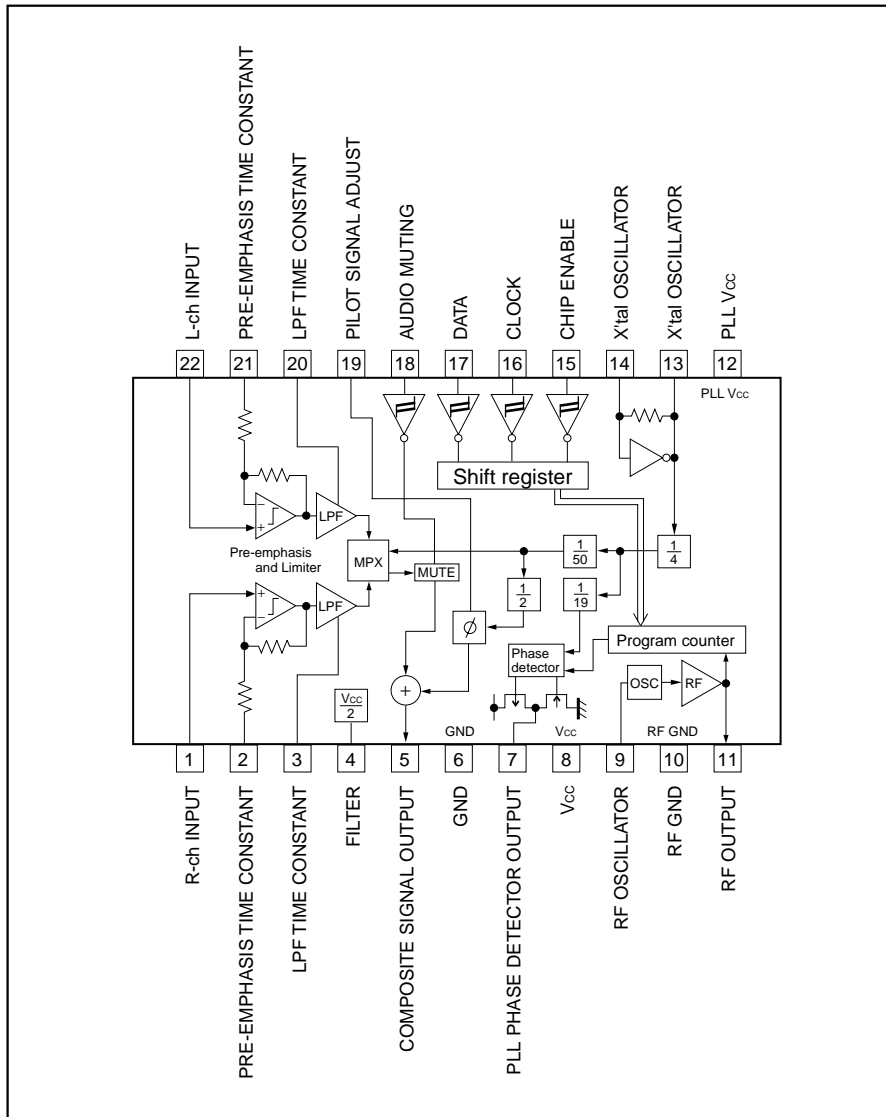
\* Derating : 4.5mW/°C for operation above Ta=25°C.

### ●Recommended operating conditions (Ta = 25°C)

Parameter	Symbol	Min.	Typ.	Max.	Unit	Conditions
Operating supply voltage	V <sub>CC</sub>	4.0	-	6.0	V	Pin8,12
Operating temperature	T <sub>opr</sub>	-40	-	+85	°C	
Audio input level	V <sub>IN-A</sub>	-	-	-10	dBV	Pin1,22
Audio input frequency band	f <sub>IN-A</sub>	20	-	15k	Hz	Pin1,22
Pre-emphasis time constant set up range	t <sub>PRE</sub>	-	-	155	μsec	Pin2,21
Transmission frequency	f <sub>TX</sub>	70	-	120	MHz	Pin9,11
Control terminal "H" level input voltage	V <sub>IH</sub>	0.8V <sub>CC</sub>	-	V <sub>CC</sub>	V	Pin15,16,17,18
Control terminal "L" level input voltage	V <sub>IL</sub>	GND	-	0.2V <sub>CC</sub>	V	Pin15,16,17,18

Audio ICs

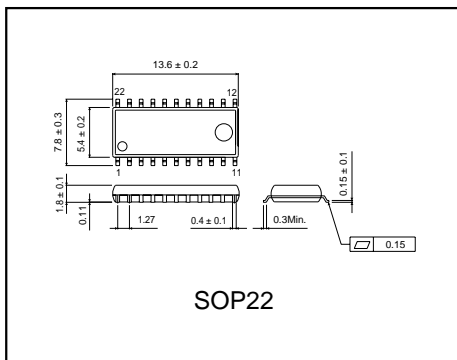
●Block diagram



Audio ICs

No.	Control unit / Data	Contents															
(2)	MULTIPLEXER  MONO	<ul style="list-style-type: none"> <li>It changes a stereo and monaural operation.</li> </ul> <table border="1"> <thead> <tr> <th>MONO</th> <th>Condition of the composite signal</th> </tr> </thead> <tbody> <tr> <td>0</td> <td>Monaural operation L+R , Pilot OFF</td> </tr> <tr> <td>1</td> <td>Stereo operation <math>L+R+(L-R)\sin\omega st+P\sin\frac{\omega s}{2}t</math></td> </tr> </tbody> </table>	MONO	Condition of the composite signal	0	Monaural operation L+R , Pilot OFF	1	Stereo operation $L+R+(L-R)\sin\omega st+P\sin\frac{\omega s}{2}t$									
MONO	Condition of the composite signal																
0	Monaural operation L+R , Pilot OFF																
1	Stereo operation $L+R+(L-R)\sin\omega st+P\sin\frac{\omega s}{2}t$																
(2)	PHASE DETECTOR  PD <sub>0</sub> , PD <sub>1</sub>	<ul style="list-style-type: none"> <li>It controls charge pump output by the phase comparator compulsorily.</li> </ul> <table border="1"> <thead> <tr> <th>PD<sub>0</sub></th> <th>PD<sub>1</sub></th> <th>Charge pump output</th> </tr> </thead> <tbody> <tr> <td>0</td> <td>0</td> <td>Usual operation</td> </tr> <tr> <td>0</td> <td>1</td> <td>Compulsion by Low</td> </tr> <tr> <td>1</td> <td>0</td> <td>Compulsion by High</td> </tr> <tr> <td>1</td> <td>1</td> <td>High impedance</td> </tr> </tbody> </table>	PD <sub>0</sub>	PD <sub>1</sub>	Charge pump output	0	0	Usual operation	0	1	Compulsion by Low	1	0	Compulsion by High	1	1	High impedance
PD <sub>0</sub>	PD <sub>1</sub>	Charge pump output															
0	0	Usual operation															
0	1	Compulsion by Low															
1	0	Compulsion by High															
1	1	High impedance															
(3)	TEST MODE  T <sub>0</sub> , T <sub>1</sub>	<ul style="list-style-type: none"> <li>It is data for the LSI test.</li> <li>Always in T<sub>0</sub> Input "1".</li> <li>Always in T<sub>1</sub> Input "0".</li> </ul>															

●External dimensions (Units : mm)



### Notes

- No technical content pages of this document may be reproduced in any form or transmitted by any means without prior permission of ROHM CO.,LTD.
- The contents described herein are subject to change without notice. The specifications for the product described in this document are for reference only. Upon actual use, therefore, please request that specifications to be separately delivered.
- Application circuit diagrams and circuit constants contained herein are shown as examples of standard use and operation. Please pay careful attention to the peripheral conditions when designing circuits and deciding upon circuit constants in the set.
- Any data, including, but not limited to application circuit diagrams information, described herein are intended only as illustrations of such devices and not as the specifications for such devices. ROHM CO.,LTD. disclaims any warranty that any use of such devices shall be free from infringement of any third party's intellectual property rights or other proprietary rights, and further, assumes no liability of whatsoever nature in the event of any such infringement, or arising from or connected with or related to the use of such devices.
- Upon the sale of any such devices, other than for buyer's right to use such devices itself, resell or otherwise dispose of the same, no express or implied right or license to practice or commercially exploit any intellectual property rights or other proprietary rights owned or controlled by
- ROHM CO., LTD. is granted to any such buyer.
- Products listed in this document use silicon as a basic material.  
Products listed in this document are no antiradiation design.

The products listed in this document are designed to be used with ordinary electronic equipment or devices (such as audio visual equipment, office-automation equipment, communications devices, electrical appliances and electronic toys).

Should you intend to use these products with equipment or devices which require an extremely high level of reliability and the malfunction of which would directly endanger human life (such as medical instruments, transportation equipment, aerospace machinery, nuclear-reactor controllers, fuel controllers and other safety devices), please be sure to consult with our sales representative in advance.

#### About Export Control Order in Japan

Products described herein are the objects of controlled goods in Annex 1 (Item 16) of Export Trade Control Order in Japan.

In case of export from Japan, please confirm if it applies to "objective" criteria or an "informed" (by MITI clause) on the basis of "catch all controls for Non-Proliferation of Weapons of Mass Destruction.

## Данный компонент на территории Российской Федерации

### Вы можете приобрести в компании MosChip.

Для оперативного оформления запроса Вам необходимо перейти по данной ссылке:

<http://moschip.ru/get-element>

Вы можете разместить у нас заказ для любого Вашего проекта, будь то серийное производство или разработка единичного прибора.

В нашем ассортименте представлены ведущие мировые производители активных и пассивных электронных компонентов.

Нашей специализацией является поставка электронной компонентной базы двойного назначения, продукции таких производителей как XILINX, Intel (ex.ALTERA), Vicor, Microchip, Texas Instruments, Analog Devices, Mini-Circuits, Amphenol, Glenair.

Сотрудничество с глобальными дистрибьюторами электронных компонентов, предоставляет возможность заказывать и получать с международных складов практически любой перечень компонентов в оптимальные для Вас сроки.

На всех этапах разработки и производства наши партнеры могут получить квалифицированную поддержку опытных инженеров.

Система менеджмента качества компании отвечает требованиям в соответствии с ГОСТ Р ИСО 9001, ГОСТ РВ 0015-002 и ЭС РД 009

### Офис по работе с юридическими лицами:

105318, г.Москва, ул.Щербаковская д.3, офис 1107, 1118, ДЦ «Щербаковский»

Телефон: +7 495 668-12-70 (многоканальный)

Факс: +7 495 668-12-70 (доб.304)

E-mail: [info@moschip.ru](mailto:info@moschip.ru)

Skype отдела продаж:

moschip.ru

moschip.ru\_4

moschip.ru\_6

moschip.ru\_9