

74AHC273-Q100; 74AHCT273-Q100

Octal D-type flip-flop with reset; positive-edge trigger

Rev. 1 — 27 March 2013

Product data sheet

1. General description

The 74AHC273-Q100; 74AHCT273-Q100 is a high-speed Si-gate CMOS device and is pin compatible with Low-power Schottky TTL (LSTTL). It is specified in compliance with JEDEC standard No. 7-A.

The 74AHC273-Q100; 74AHCT273-Q100 has eight edge-triggered, D-type flip-flops with individual D inputs and Q outputs.

The common clock (CP) and master reset (\overline{MR}) inputs, load and reset (clear) all flip-flops simultaneously. The state of each D input, one set-up time before the LOW-to-HIGH clock transition, is transferred to the corresponding output (Qn) of the flip-flop.

All outputs are forced LOW, independent of clock or data inputs, by a LOW on the \overline{MR} input.

The device is useful for applications where only the true output is required and the clock and master reset are common to all storage elements.

This product has been qualified to the Automotive Electronics Council (AEC) standard Q100 (Grade 1) and is suitable for use in automotive applications.

2. Features and benefits

- Automotive product qualification in accordance with AEC-Q100 (Grade 1)
 - ◆ Specified from $-40\text{ }^{\circ}\text{C}$ to $+85\text{ }^{\circ}\text{C}$ and from $-40\text{ }^{\circ}\text{C}$ to $+125\text{ }^{\circ}\text{C}$
- Balanced propagation delays
- All inputs have Schmitt-trigger actions
- Inputs accept voltages higher than V_{CC}
- Ideal buffer for MOS microcontroller or memory
- Common clock and master reset
- Input levels:
 - ◆ For 74AHC273-Q100: CMOS level
 - ◆ For 74AHCT273-Q100: TTL level
- ESD protection:
 - ◆ MIL-STD-883, method 3015 exceeds 2000 V
 - ◆ HBM JESD22-A114F exceeds 2000 V
 - ◆ MM JESD22-A115-A exceeds 200 V (C = 200 pF, R = 0 Ω)
- Multiple package options

3. Ordering information

Table 1. Ordering information

| Type number | Package | | | Version |
|-----------------------|-------------------|----------|--|----------|
| | Temperature range | Name | Description | |
| 74AHC273-Q100 | | | | |
| 74AHC273D-Q100 | -40 °C to +125 °C | SO20 | plastic small outline package; 20 leads; body width 7.5 mm | SOT163-1 |
| 74AHC273PW-Q100 | -40 °C to +125 °C | TSSOP20 | plastic thin shrink small outline package; 20 leads; body width 4.4 mm | SOT360-1 |
| 74AHC273BQ-Q100 | -40 °C to +125 °C | DHVQFN20 | plastic dual in-line compatible thermal enhanced very thin quad flat package; no leads; 20 terminals; body 2.5 × 4.5 × 0.85 mm | SOT764-1 |
| 74AHCT273-Q100 | | | | |
| 74AHCT273D-Q100 | -40 °C to +125 °C | SO20 | plastic small outline package; 20 leads; body width 7.5 mm | SOT163-1 |
| 74AHCT273PW-Q100 | -40 °C to +125 °C | TSSOP20 | plastic thin shrink small outline package; 20 leads; body width 4.4 mm | SOT360-1 |
| 74AHCT273BQ-Q100 | -40 °C to +125 °C | DHVQFN20 | plastic dual in-line compatible thermal enhanced very thin quad flat package; no leads; 20 terminals; body 2.5 × 4.5 × 0.85 mm | SOT764-1 |

4. Functional diagram

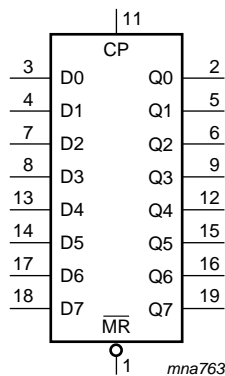


Fig 1. Logic symbol

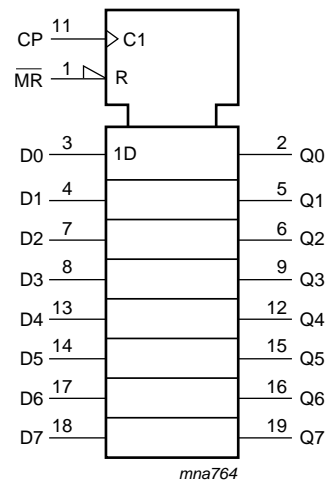


Fig 2. IEC logic symbol

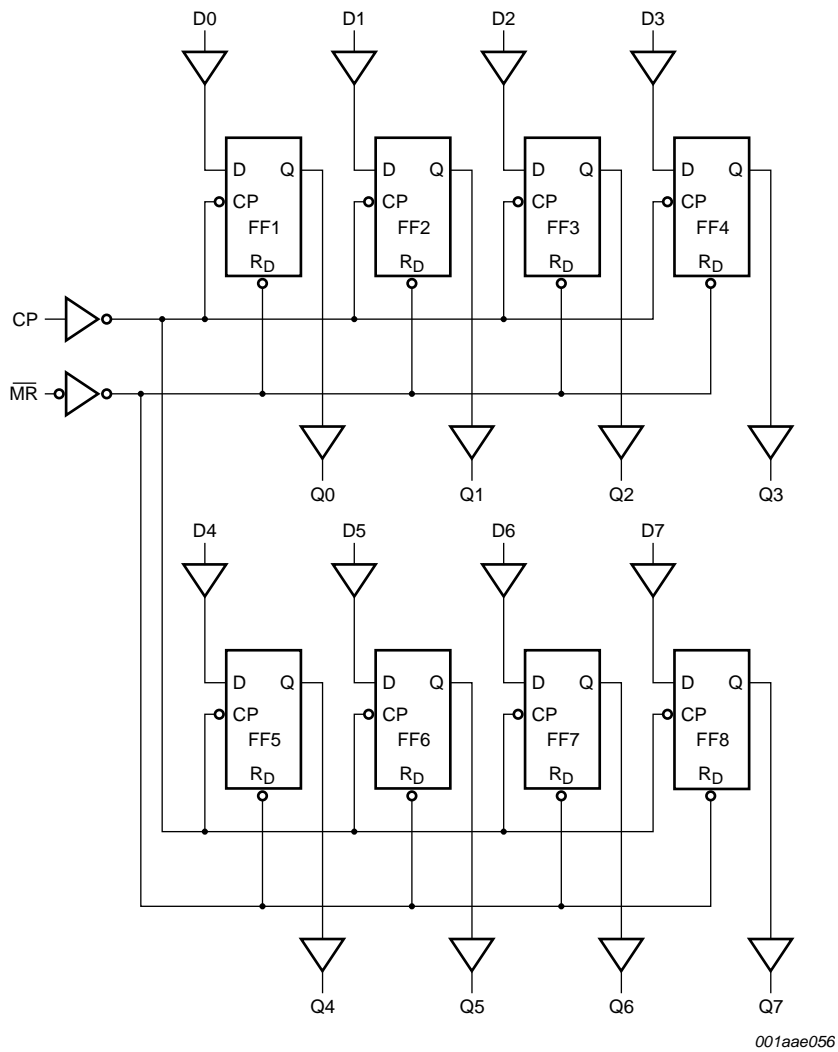


Fig 3. Logic diagram

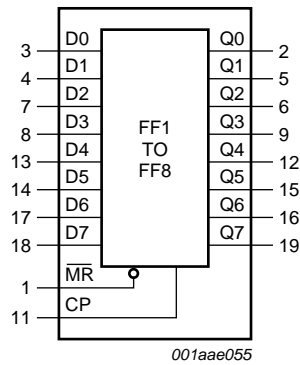
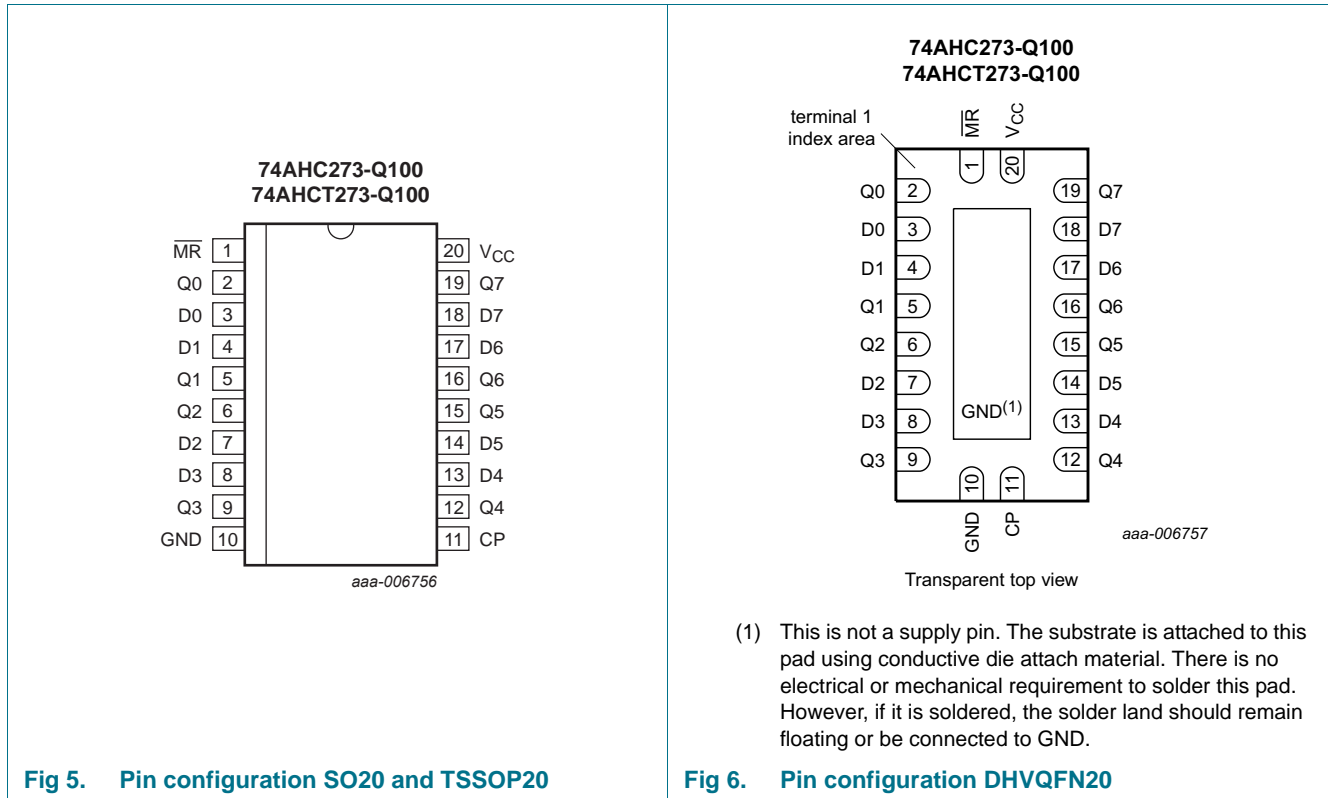


Fig 4. Functional diagram

5. Pinning information

5.1 Pinning



5.2 Pin description

Table 2. Pin description

| Symbol | Pin | Description |
|--------------------------------|----------------------------|--|
| $\overline{\text{MR}}$ | 1 | master reset input (active LOW) |
| Q0, Q1, Q2, Q3, Q4, Q5, Q6, Q7 | 2, 5, 6, 9, 12, 15, 16, 19 | flip-flop output |
| D0, D1, D2, D3, D4, D5, D6, D7 | 3, 4, 7, 8, 13, 14, 17, 18 | data input |
| GND | 10 | ground (0 V) |
| CP | 11 | clock input (LOW-to-HIGH edge-triggered) |
| V _{CC} | 20 | supply voltage |

6. Functional description

Table 3. Function table^[1]

| Operating mode | Control | | Input | Output |
|----------------|------------------------|----|-------|--------|
| | $\overline{\text{MR}}$ | CP | Dn | Qn |
| Reset (clear) | L | X | X | L |
| Load '1' | H | ↑ | h | H |
| Load '0' | H | ↑ | l | L |

- [1] H = HIGH voltage level;
 h = HIGH voltage level one set-up time prior to the LOW-to-HIGH CP transition;
 L = LOW voltage level;
 l = LOW voltage level one set-up time prior to the LOW-to-HIGH CP transition;
 ↑ = LOW-to-HIGH;
 X = don't care.

7. Limiting values

Table 4. Limiting values

In accordance with the Absolute Maximum Rating System (IEC 60134). Voltages are referenced to GND (ground = 0 V).

| Symbol | Parameter | Conditions | Min | Max | Unit |
|-----------|-------------------------|--|--------------------|------|------|
| V_{CC} | supply voltage | | -0.5 | +7.0 | V |
| V_I | input voltage | | -0.5 | +7.0 | V |
| I_{IK} | input clamping current | $V_I < -0.5 \text{ V}$ | ^[1] -20 | - | mA |
| I_{OK} | output clamping current | $V_O < -0.5 \text{ V}$ or $V_O > V_{CC} + 0.5 \text{ V}$ | ^[1] -20 | +20 | mA |
| I_O | output current | $V_O = -0.5 \text{ V}$ to $(V_{CC} + 0.5 \text{ V})$ | -25 | +25 | mA |
| I_{CC} | supply current | | - | +75 | mA |
| I_{GND} | ground current | | -75 | - | mA |
| T_{stg} | storage temperature | | -65 | +150 | °C |
| P_{tot} | total power dissipation | $T_{amb} = -40 \text{ °C}$ to $+125 \text{ °C}$ | ^[2] - | 500 | mW |

- [1] The input and output voltage ratings may be exceeded if the input and output current ratings are observed.

- [2] For SO20 packages: above 70 °C the value of P_{tot} derates linearly at 8 mW/K.
 For TSSOP20 packages: above 60 °C the value of P_{tot} derates linearly at 5.5 mW/K.
 For DHVQFN20 packages: above 60 °C the value of P_{tot} derates linearly at 4.5 mW/K.

8. Recommended operating conditions

Table 5. Operating conditions

| Symbol | Parameter | Conditions | Min | Typ | Max | Unit |
|-----------------------|-------------------------------------|---|-----|-----|----------|------|
| 74AHC273-Q100 | | | | | | |
| V_{CC} | supply voltage | | 2.0 | 5.0 | 5.5 | V |
| V_I | input voltage | | 0 | - | 5.5 | V |
| V_O | output voltage | | 0 | - | V_{CC} | V |
| T_{amb} | ambient temperature | | -40 | +25 | +125 | °C |
| $\Delta t/\Delta V$ | input transition rise and fall rate | $V_{CC} = 3.0\text{ V to }3.6\text{ V}$ | - | - | 100 | ns/V |
| | | $V_{CC} = 4.5\text{ V to }5.5\text{ V}$ | - | - | 20 | ns/V |
| 74AHCT273-Q100 | | | | | | |
| V_{CC} | supply voltage | | 4.5 | 5.0 | 5.5 | V |
| V_I | input voltage | | 0 | - | 5.5 | V |
| V_O | output voltage | | 0 | - | V_{CC} | V |
| T_{amb} | ambient temperature | | -40 | +25 | +125 | °C |
| $\Delta t/\Delta V$ | input transition rise and fall rate | $V_{CC} = 4.5\text{ V to }5.5\text{ V}$ | - | - | 20 | ns/V |

9. Static characteristics

Table 6. Static characteristics

At recommended operating conditions; voltages are referenced to GND (ground = 0 V).

| Symbol | Parameter | Conditions | 25 °C | | | -40 °C to +85 °C | | -40 °C to +125 °C | | Unit |
|----------------------|---|---|-------|------|------|------------------|------|-------------------|------|------|
| | | | Min | Typ | Max | Min | Max | Min | Max | |
| 74AHC273-Q100 | | | | | | | | | | |
| V_{IH} | HIGH-level input voltage | $V_{CC} = 2.0\text{ V}$ | 1.5 | - | - | 1.5 | - | 1.5 | - | V |
| | | $V_{CC} = 3.0\text{ V}$ | 2.1 | - | - | 2.1 | - | 2.1 | - | V |
| | | $V_{CC} = 5.5\text{ V}$ | 3.85 | - | - | 3.85 | - | 3.85 | - | V |
| V_{IL} | LOW-level input voltage | $V_{CC} = 2.0\text{ V}$ | - | - | 0.5 | - | 0.5 | - | 0.5 | V |
| | | $V_{CC} = 3.0\text{ V}$ | - | - | 0.9 | - | 0.9 | - | 0.9 | V |
| | | $V_{CC} = 5.5\text{ V}$ | - | - | 1.65 | - | 1.65 | - | 1.65 | V |
| V_{OH} | HIGH-level output voltage | $V_I = V_{IH}$ or V_{IL} | | | | | | | | |
| | | $I_O = -50\ \mu\text{A}; V_{CC} = 2.0\text{ V}$ | 1.9 | 2.0 | - | 1.9 | - | 1.9 | - | V |
| | | $I_O = -50\ \mu\text{A}; V_{CC} = 3.0\text{ V}$ | 2.9 | 3.0 | - | 2.9 | - | 2.9 | - | V |
| | | $I_O = -50\ \mu\text{A}; V_{CC} = 4.5\text{ V}$ | 4.4 | 4.5 | - | 4.4 | - | 4.4 | - | V |
| | | $I_O = -4.0\text{ mA}; V_{CC} = 3.0\text{ V}$ | 2.58 | - | - | 2.48 | - | 2.40 | - | V |
| | $I_O = -8.0\text{ mA}; V_{CC} = 4.5\text{ V}$ | 3.94 | - | - | 3.80 | - | 3.70 | - | V | |
| V_{OL} | LOW-level output voltage | $V_I = V_{IH}$ or V_{IL} | | | | | | | | |
| | | $I_O = 50\ \mu\text{A}; V_{CC} = 2.0\text{ V}$ | - | 0 | 0.1 | - | 0.1 | - | 0.1 | V |
| | | $I_O = 50\ \mu\text{A}; V_{CC} = 3.0\text{ V}$ | - | 0 | 0.1 | - | 0.1 | - | 0.1 | V |
| | | $I_O = 50\ \mu\text{A}; V_{CC} = 4.5\text{ V}$ | - | 0 | 0.1 | - | 0.1 | - | 0.1 | V |
| | | $I_O = 4.0\text{ mA}; V_{CC} = 3.0\text{ V}$ | - | - | 0.36 | - | 0.44 | - | 0.55 | V |
| | $I_O = 8.0\text{ mA}; V_{CC} = 4.5\text{ V}$ | - | - | 0.36 | - | 0.44 | - | 0.55 | V | |

Table 6. Static characteristics ...continued

At recommended operating conditions; voltages are referenced to GND (ground = 0 V).

| Symbol | Parameter | Conditions | 25 °C | | | -40 °C to +85 °C | | -40 °C to +125 °C | | Unit |
|-----------------------|---------------------------|---|-------|-----|------|------------------|------|-------------------|------|---------------|
| | | | Min | Typ | Max | Min | Max | Min | Max | |
| I_I | input leakage current | $V_I = 5.5 \text{ V}$ or GND; $V_{CC} = 0 \text{ V}$ to 5.5 V | - | - | 0.1 | - | 1.0 | - | 2.0 | μA |
| I_{CC} | supply current | $V_I = V_{CC}$ or GND; $I_O = 0 \text{ A}$; $V_{CC} = 5.5 \text{ V}$ | - | - | 4.0 | - | 40 | - | 80 | μA |
| C_I | input capacitance | | - | 3 | 10 | - | 10 | - | 10 | pF |
| C_O | output capacitance | | - | 4 | - | - | - | - | - | pF |
| 74AHCT273-Q100 | | | | | | | | | | |
| V_{IH} | HIGH-level input voltage | $V_{CC} = 4.5 \text{ V}$ to 5.5 V | 2.0 | - | - | 2.0 | - | 2.0 | - | V |
| V_{IL} | LOW-level input voltage | $V_{CC} = 4.5 \text{ V}$ to 5.5 V | - | - | 0.8 | - | 0.8 | - | 0.8 | V |
| V_{OH} | HIGH-level output voltage | $V_I = V_{IH}$ or V_{IL} ; $V_{CC} = 4.5 \text{ V}$ | | | | | | | | |
| | | $I_O = -50 \mu\text{A}$ | 4.4 | - | - | 4.4 | - | 4.4 | - | V |
| | | $I_O = -8.0 \text{ mA}$ | 3.94 | - | - | 3.80 | - | 3.70 | - | V |
| V_{OL} | LOW-level output voltage | $V_I = V_{IH}$ or V_{IL} ; $V_{CC} = 4.5 \text{ V}$ | | | | | | | | |
| | | $I_O = 50 \mu\text{A}$ | - | 0 | 0.1 | - | 0.1 | - | 0.1 | V |
| | | $I_O = 8.0 \text{ mA}$ | - | - | 0.36 | - | 0.44 | - | 0.55 | V |
| I_I | input leakage current | $V_I = 5.5 \text{ V}$ or GND; $V_{CC} = 0 \text{ V}$ to 5.5 V | - | - | 0.1 | - | 1.0 | - | 2.0 | μA |
| I_{CC} | supply current | $V_I = V_{CC}$ or GND; $I_O = 0 \text{ A}$; $V_{CC} = 5.5 \text{ V}$ | - | - | 4.0 | - | 40 | - | 80 | μA |
| ΔI_{CC} | additional supply current | per input pin; $V_I = V_{CC} - 2.1 \text{ V}$; other pins at V_{CC} or GND; $I_O = 0 \text{ A}$; $V_{CC} = 4.5 \text{ V}$ to 5.5 V | - | - | 1.35 | - | 1.5 | - | 1.5 | mA |
| C_I | input capacitance | | - | 3 | 10 | - | 10 | - | 10 | pF |
| C_O | output capacitance | | - | 4 | - | - | - | - | - | pF |

10. Dynamic characteristics

Table 7. Dynamic characteristics

Voltages are referenced to GND (ground = 0 V); for test circuit see [Figure 10](#).

| Symbol | Parameter | Conditions | 25 °C | | | –40 °C to +85 °C | | –40 °C to +125 °C | | Unit |
|---|-------------------|---|-------------------|------------------------------|------|------------------|------|-------------------|------|------|
| | | | Min | Typ ^[1] | Max | Min | Max | Min | Max | |
| 74AHC273-Q100 | | | | | | | | | | |
| t_{pd} | propagation delay | CP to Qn; see Figure 7 ^[2] | | | | | | | | |
| | | $V_{CC} = 3.0\text{ V to }3.6\text{ V}$ | | | | | | | | |
| | | $C_L = 15\text{ pF}$ | - | 6.0 | 13.6 | 1.0 | 16.0 | 1.0 | 17.0 | ns |
| | | $C_L = 50\text{ pF}$ | - | 8.6 | 17.1 | 1.0 | 19.5 | 1.0 | 21.5 | ns |
| | | $V_{CC} = 4.5\text{ V to }5.5\text{ V}$ | | | | | | | | |
| | | $C_L = 15\text{ pF}$ | - | 4.2 | 9 | 1.0 | 10.5 | 1.0 | 11.5 | ns |
| | | $C_L = 50\text{ pF}$ | - | 6.0 | 11.0 | 1.0 | 12.5 | 1.0 | 14.0 | ns |
| | | MR to Qn; see Figure 8 ^[3] | | | | | | | | |
| | | $V_{CC} = 3.0\text{ V to }3.6\text{ V}$ | | | | | | | | |
| | | $C_L = 15\text{ pF}$ | - | 5.1 | 13.6 | 1.0 | 16.0 | 1.0 | 17.0 | ns |
| | | $C_L = 50\text{ pF}$ | - | 7.3 | 17.1 | 1.0 | 19.5 | 1.0 | 21.5 | ns |
| | | f_{max} | maximum frequency | see Figure 7 | | | | | | |
| $V_{CC} = 3.0\text{ V to }3.6\text{ V}$ | | | | | | | | | | |
| $C_L = 15\text{ pF}$ | 75 | | | 120 | - | 65 | - | 65 | - | MHz |
| $C_L = 50\text{ pF}$ | 50 | | | 75 | - | 45 | - | 45 | - | MHz |
| $V_{CC} = 4.5\text{ V to }5.5\text{ V}$ | | | | | | | | | | |
| $C_L = 15\text{ pF}$ | 120 | | | 165 | - | 100 | - | 100 | - | MHz |
| t_w | pulse width | CP HIGH or LOW; see Figure 7 | | | | | | | | |
| | | $V_{CC} = 3.0\text{ V to }3.6\text{ V}$ | 5.0 | - | - | 6.5 | - | 6.5 | - | ns |
| | | $V_{CC} = 4.5\text{ V to }5.5\text{ V}$ | 5.0 | - | - | 5.0 | - | 5.0 | - | ns |
| | | MR LOW; see Figure 8 | | | | | | | | |
| | | $V_{CC} = 3.0\text{ V to }3.6\text{ V}$ | 5.0 | - | - | 6.0 | - | 6.0 | - | ns |
| | | $V_{CC} = 4.5\text{ V to }5.5\text{ V}$ | 5.0 | - | - | 5.0 | - | 5.0 | - | ns |
| t_{su} | set-up time | Dn to CP; see Figure 9 | | | | | | | | |
| | | $V_{CC} = 3.0\text{ V to }3.6\text{ V}$ | 3.0 | - | - | 3.0 | - | 3.0 | - | ns |
| | | $V_{CC} = 4.5\text{ V to }5.5\text{ V}$ | 3.0 | - | - | 3.0 | - | 3.0 | - | ns |
| t_h | hold time | Dn to CP; see Figure 9 | | | | | | | | |
| | | $V_{CC} = 3.0\text{ V to }3.6\text{ V}$ | 1.0 | - | - | 1.0 | - | 1.0 | - | ns |
| | | $V_{CC} = 4.5\text{ V to }5.5\text{ V}$ | 1.0 | - | - | 1.0 | - | 1.0 | - | ns |

Table 7. Dynamic characteristics ...continuedVoltages are referenced to GND (ground = 0 V); for test circuit see [Figure 10](#).

| Symbol | Parameter | Conditions | 25 °C | | | -40 °C to +85 °C | | -40 °C to +125 °C | | Unit |
|--|-------------------------------|--|-------|--------------------|------|------------------|------|-------------------|------|------|
| | | | Min | Typ ^[1] | Max | Min | Max | Min | Max | |
| t _{rec} | recovery time | $\overline{\text{MR}}$ to CP; see Figure 8 | | | | | | | | |
| | | V _{CC} = 3.0 V to 3.6 V | 2.5 | - | - | 2.5 | - | 2.5 | - | ns |
| | | V _{CC} = 4.5 V to 5.5 V | 2.0 | - | - | 2.0 | - | 2.0 | - | ns |
| C _{PD} | power dissipation capacitance | f _i = 1 MHz; V _I = GND to V _{CC} ^[4] | - | 14 | - | - | - | - | - | pF |
| 74AHCT273-Q100; V_{CC} = 4.5 V to 5.5 V | | | | | | | | | | |
| t _{pd} | propagation delay | CP to Qn; see Figure 7 ^[2] | | | | | | | | |
| | | C _L = 15 pF | - | 4.0 | 7.5 | 1.0 | 8.8 | 1.0 | 9.5 | ns |
| | | C _L = 50 pF | - | 5.8 | 9.2 | 1.0 | 10.5 | 1.0 | 11.5 | ns |
| | | $\overline{\text{MR}}$ to Qn; see Figure 8 ^[3] | | | | | | | | |
| | | C _L = 15 pF | - | 3.9 | 10.0 | 1.0 | 11.6 | 1.0 | 12.5 | ns |
| | | C _L = 50 pF | - | 5.6 | 11.0 | 1.0 | 12.6 | 1.0 | 14.0 | ns |
| f _{max} | maximum frequency | see Figure 7 | | | | | | | | |
| | | C _L = 15 pF | 75 | 120 | - | 65 | - | 65 | - | MHz |
| | | C _L = 50 pF | 50 | 75 | - | 45 | - | 45 | - | MHz |
| t _W | pulse width | CP HIGH or LOW; see Figure 7 | 5.0 | - | - | 6.5 | - | 6.5 | - | ns |
| | | $\overline{\text{MR}}$ LOW; see Figure 8 | 5.0 | - | - | 6.0 | - | 6.0 | - | ns |
| t _{su} | set-up time | Dn to CP; see Figure 9 | 3.0 | - | - | 3.0 | - | 3.0 | - | ns |
| t _h | hold time | Dn to CP; see Figure 9 | 1.0 | - | - | 1.0 | - | 1.0 | - | ns |
| t _{rec} | recovery time | $\overline{\text{MR}}$ to CP; see Figure 8 | 2.5 | - | - | 2.5 | - | 2.5 | - | ns |
| C _{PD} | power dissipation capacitance | f _i = 1 MHz; V _I = GND to V _{CC} ^[4] | - | 18 | - | - | - | - | - | pF |

[1] Typical values are measured at nominal supply voltage (V_{CC} = 3.3 V and V_{CC} = 5.0 V).

[2] t_{pd} is the same as t_{PLH} and t_{PHL}.

[3] t_{pd} is the same as t_{PHL} only.

[4] C_{PD} is used to determine the dynamic power dissipation (P_D in μW).

$$P_D = C_{PD} \times V_{CC}^2 \times f_i \times N + \Sigma(C_L \times V_{CC}^2 \times f_o) \text{ where:}$$

f_i = input frequency in MHz;

f_o = output frequency in MHz;

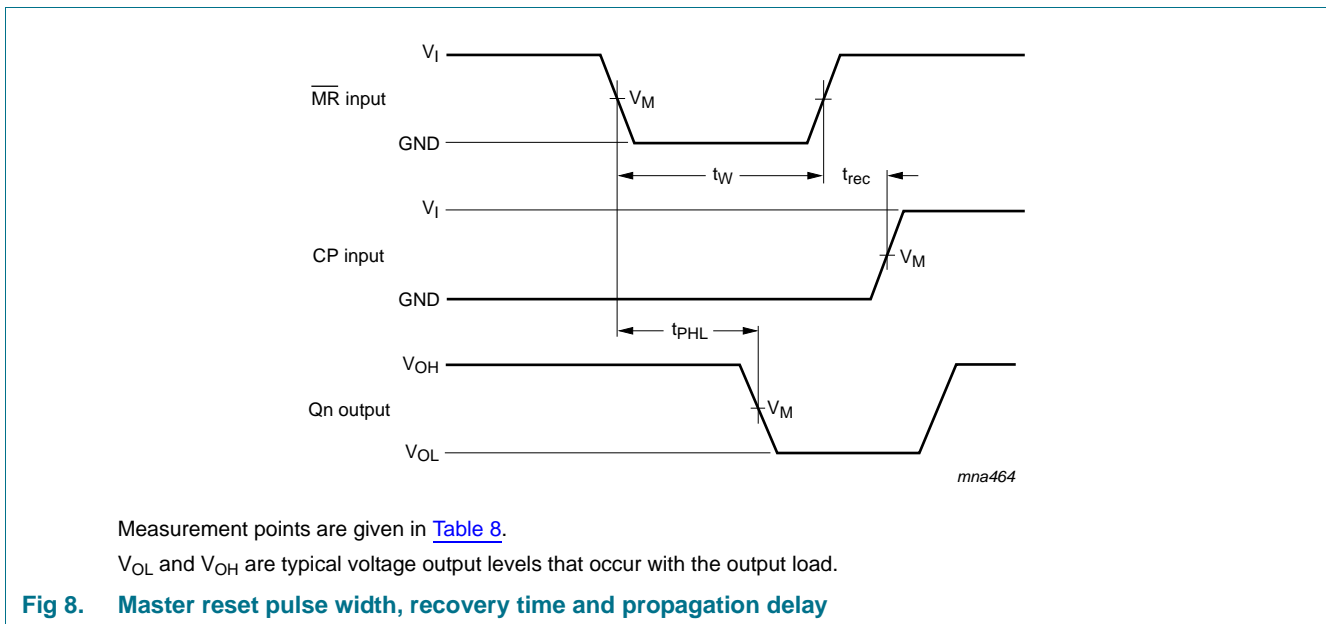
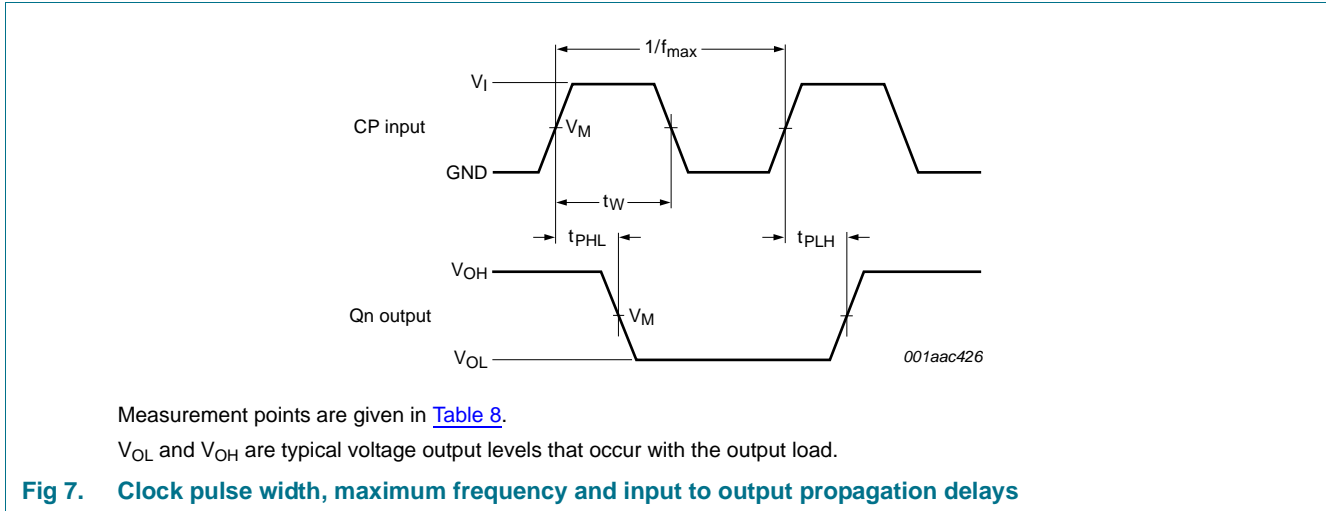
C_L = output load capacitance in pF;

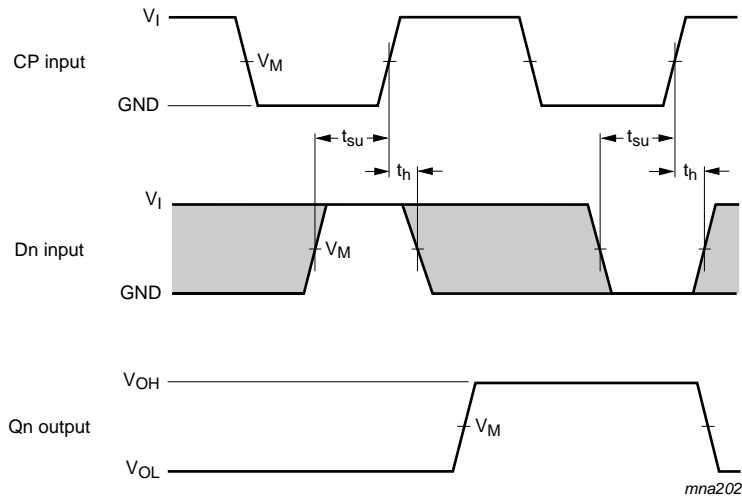
V_{CC} = supply voltage in V;

N = number of inputs switching;

Σ(C_L × V_{CC}² × f_o) = sum of the outputs.

11. Waveforms



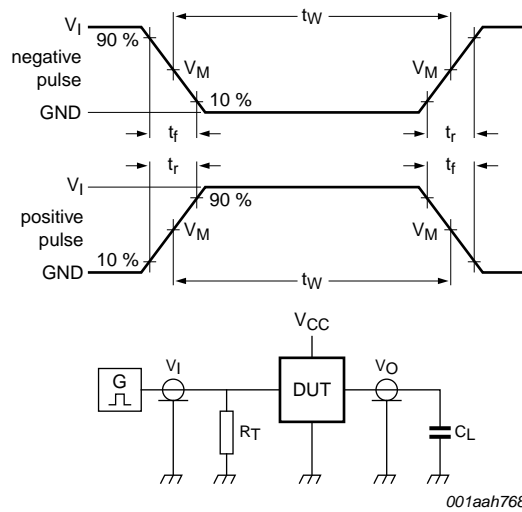


Measurement points are given in [Table 8](#).
 The shaded areas indicate when the input is permitted to change for predictable output performance.
 V_{OL} and V_{OH} are typical voltage output levels that occur with the output load.

Fig 9. Data set-up and hold times

Table 8. Measurement points

| Type | Input | Output |
|----------------|---------------------|---------------------|
| | V_M | V_M |
| 74AHC273-Q100 | $0.5 \times V_{CC}$ | $0.5 \times V_{CC}$ |
| 74AHCT273-Q100 | 1.5 V | $0.5 \times V_{CC}$ |



Test data is given in [Table 9](#).

Definitions test circuit:

R_T = termination resistance should be equal to output impedance Z_o of the pulse generator.

C_L = load capacitance including jig and probe capacitance.

Fig 10. Test circuit for measuring switching times

Table 9. Test data

| Type | Input | | Load | Test |
|----------------|----------|---------------|--------------|--------------------|
| | V_I | t_r, t_f | C_L | |
| 74AHC273-Q100 | V_{CC} | ≤ 3.0 ns | 15 pF, 50 pF | t_{PLH}, t_{PHL} |
| 74AHCT273-Q100 | 3.0 V | ≤ 3.0 ns | 15 pF, 50 pF | t_{PLH}, t_{PHL} |

12. Package outline

SO20: plastic small outline package; 20 leads; body width 7.5 mm

SOT163-1

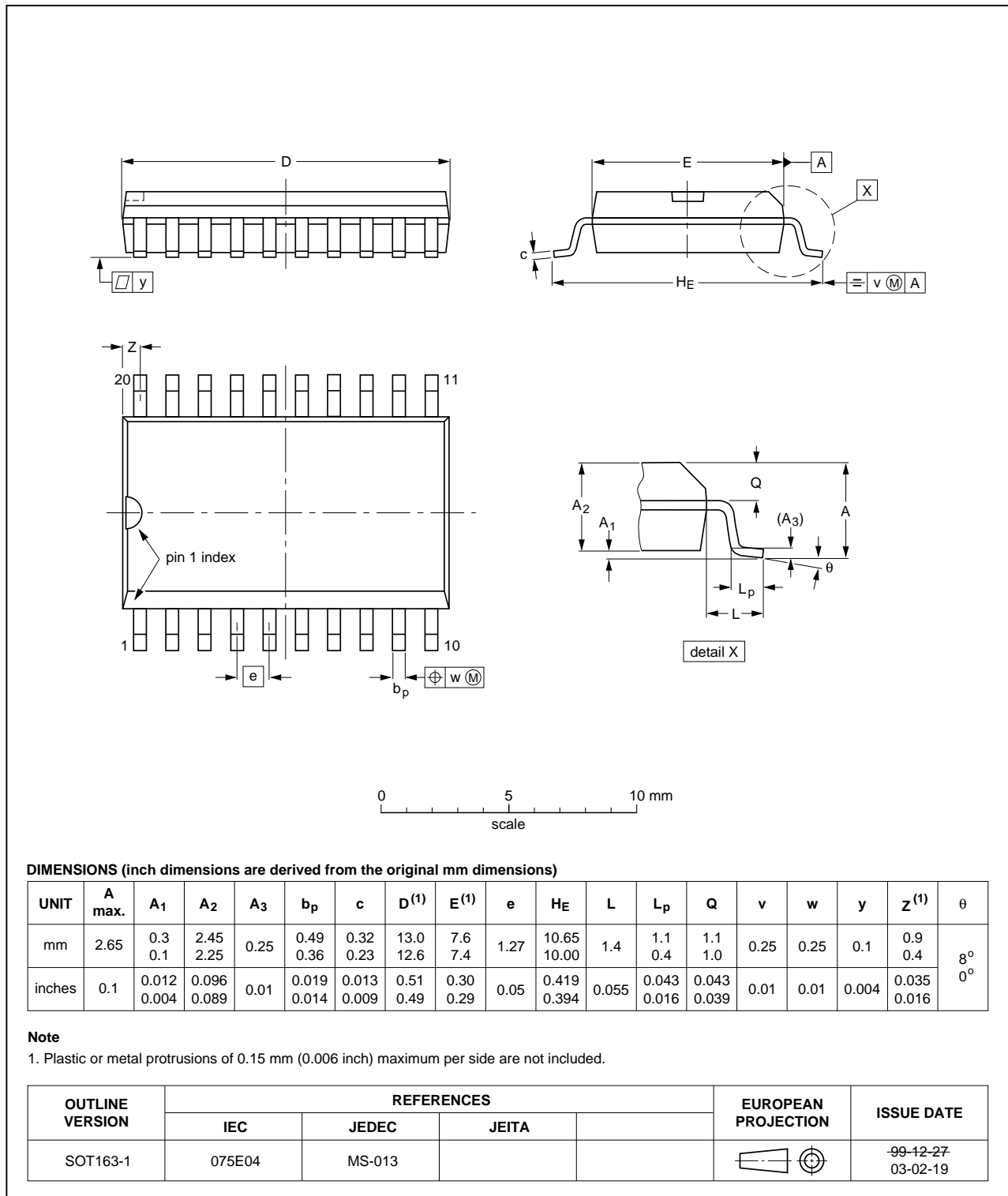


Fig 11. Package outline SOT163-1 (SO20)

TSSOP20: plastic thin shrink small outline package; 20 leads; body width 4.4 mm

SOT360-1

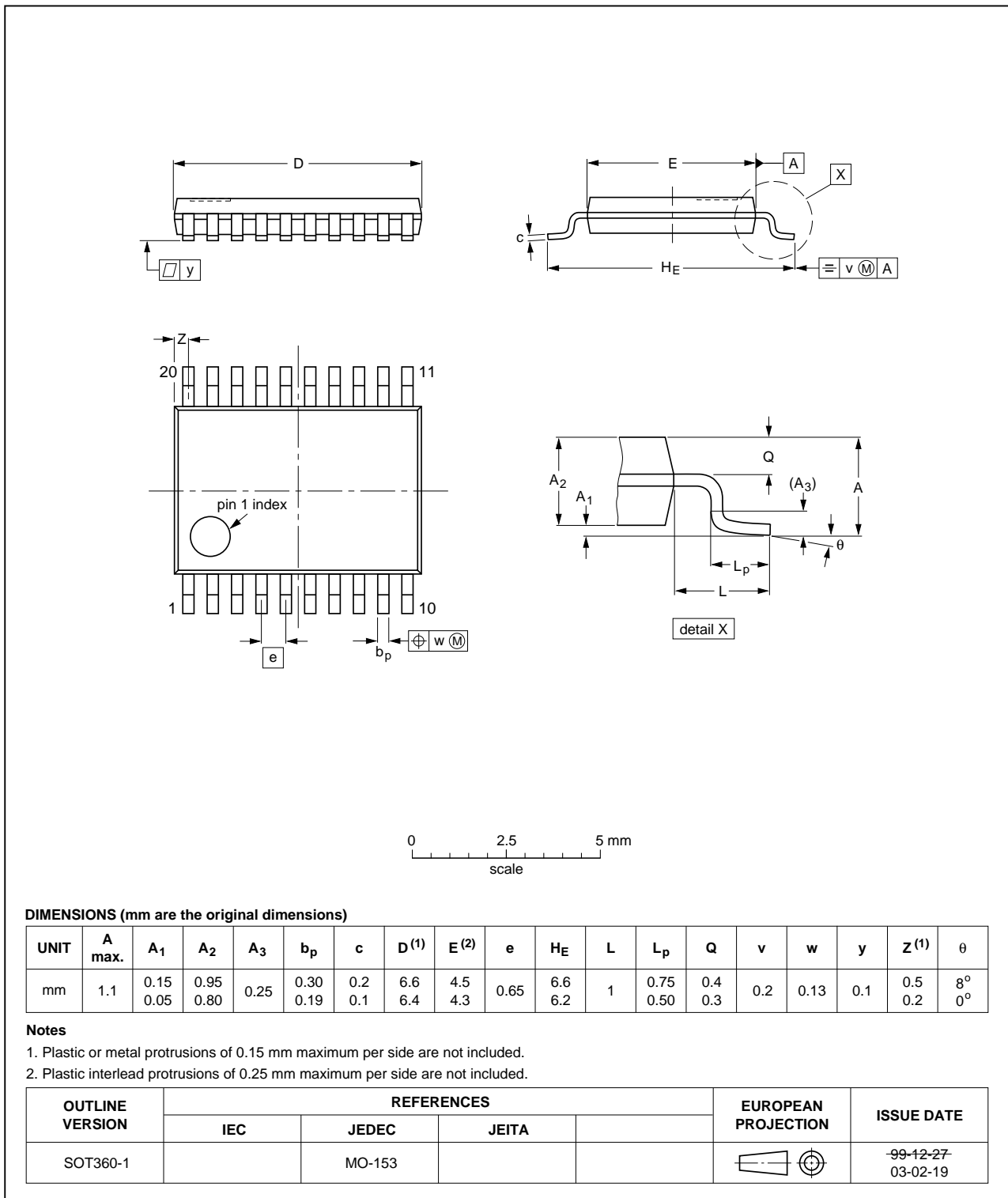


Fig 12. Package outline SOT360-1 (TSSOP20)

DHVQFN20: plastic dual in-line compatible thermal enhanced very thin quad flat package; no leads; 20 terminals; body 2.5 x 4.5 x 0.85 mm

SOT764-1

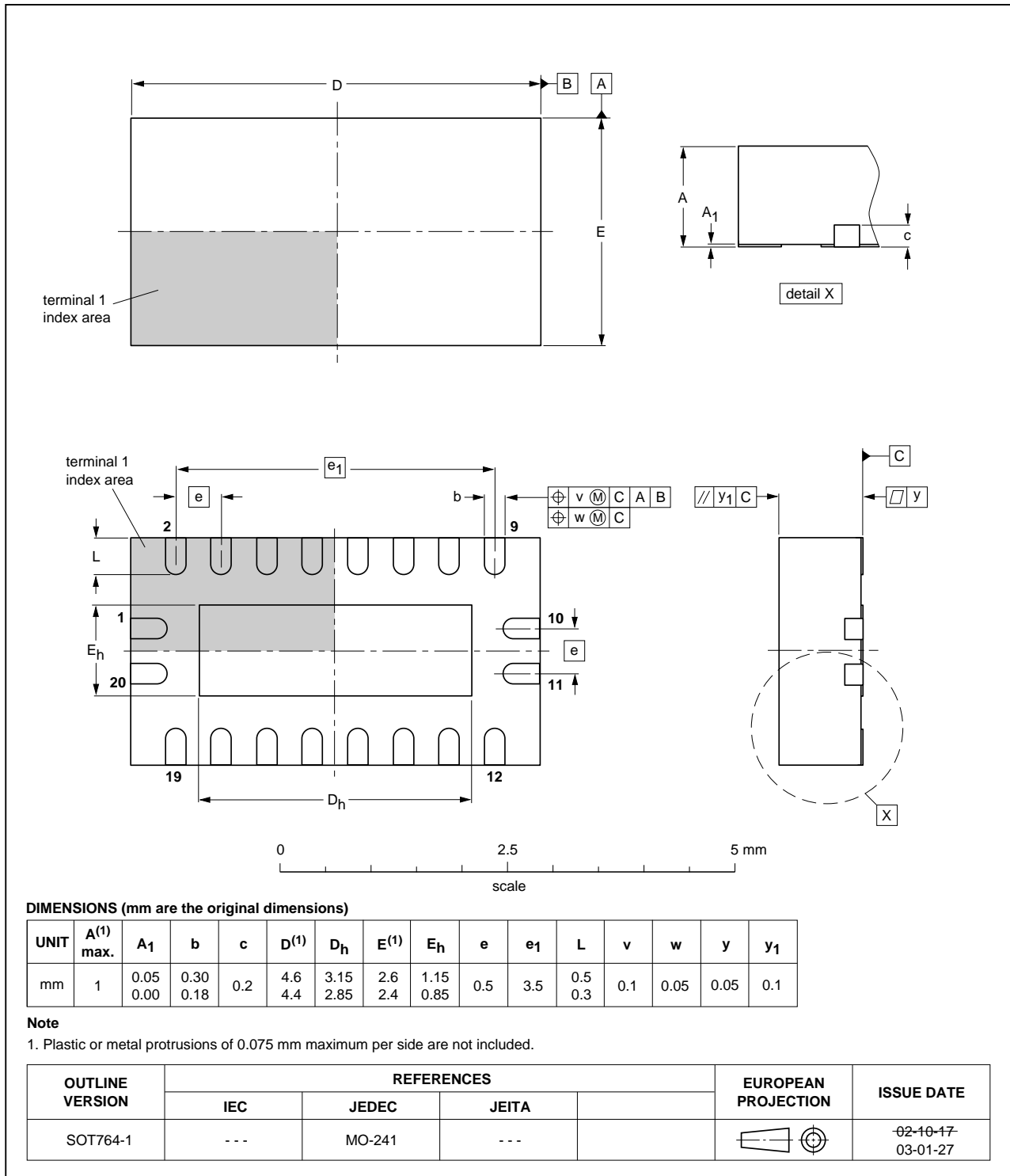


Fig 13. Package outline SOT764-1 (DHVQFN20)

13. Abbreviations

Table 10. Abbreviations

| Acronym | Description |
|---------|--|
| CDM | Charged Device Model |
| CMOS | Complementary Metal-Oxide Semiconductor |
| DUT | Device Under Test |
| ESD | ElectroStatic Discharge |
| HBM | Human Body Model |
| LSTTL | Low-power Schottky Transistor-Transistor Logic |
| MM | Machine Model |
| MIL | Military |
| MOS | Metal-Oxide Semiconductor |

14. Revision history

Table 11. Revision history

| Document ID | Release date | Data sheet status | Change notice | Supersedes |
|------------------------|--------------|--------------------|---------------|------------|
| 74AHC_AHCT273_Q100 v.1 | 20130327 | Product data sheet | - | - |

15. Legal information

15.1 Data sheet status

| Document status ^{[1][2]} | Product status ^[3] | Definition |
|-----------------------------------|-------------------------------|---|
| Objective [short] data sheet | Development | This document contains data from the objective specification for product development. |
| Preliminary [short] data sheet | Qualification | This document contains data from the preliminary specification. |
| Product [short] data sheet | Production | This document contains the product specification. |

[1] Please consult the most recently issued document before initiating or completing a design.

[2] The term 'short data sheet' is explained in section "Definitions".

[3] The product status of device(s) described in this document may have changed since this document was published and may differ in case of multiple devices. The latest product status information is available on the Internet at URL <http://www.nexperia.com>.

15.2 Definitions

Draft — The document is a draft version only. The content is still under internal review and subject to formal approval, which may result in modifications or additions. Nexperia does not give any representations or warranties as to the accuracy or completeness of information included herein and shall have no liability for the consequences of use of such information.

Short data sheet — A short data sheet is an extract from a full data sheet with the same product type number(s) and title. A short data sheet is intended for quick reference only and should not be relied upon to contain detailed and full information. For detailed and full information see the relevant full data sheet, which is available on request via the local Nexperia sales office. In case of any inconsistency or conflict with the short data sheet, the full data sheet shall prevail.

Product specification — The information and data provided in a Product data sheet shall define the specification of the product as agreed between Nexperia and its customer, unless Nexperia and customer have explicitly agreed otherwise in writing. In no event however, shall an agreement be valid in which the Nexperia product is deemed to offer functions and qualities beyond those described in the Product data sheet.

15.3 Disclaimers

Limited warranty and liability — Information in this document is believed to be accurate and reliable. However, Nexperia does not give any representations or warranties, expressed or implied, as to the accuracy or completeness of such information and shall have no liability for the consequences of use of such information. Nexperia takes no responsibility for the content in this document if provided by an information source outside of Nexperia.

In no event shall Nexperia be liable for any indirect, incidental, punitive, special or consequential damages (including - without limitation - lost profits, lost savings, business interruption, costs related to the removal or replacement of any products or rework charges) whether or not such damages are based on tort (including negligence), warranty, breach of contract or any other legal theory.

Notwithstanding any damages that customer might incur for any reason whatsoever, Nexperia's aggregate and cumulative liability towards customer for the products described herein shall be limited in accordance with the *Terms and conditions of commercial sale* of Nexperia.

Right to make changes — Nexperia reserves the right to make changes to information published in this document, including without limitation specifications and product descriptions, at any time and without notice. This document supersedes and replaces all information supplied prior to the publication hereof.

Suitability for use in automotive applications — This Nexperia product has been qualified for use in automotive applications. Unless otherwise agreed in writing, the product is not designed, authorized or warranted to be suitable for use in life support, life-critical or safety-critical systems or equipment, nor in applications where failure or malfunction of a Nexperia product can reasonably be expected to result in personal injury, death or severe property or environmental damage. Nexperia and its suppliers accept no liability for inclusion and/or use of Nexperia products in such equipment or applications and therefore such inclusion and/or use is at the customer's own risk.

Applications — Applications that are described herein for any of these products are for illustrative purposes only. Nexperia makes no representation or warranty that such applications will be suitable for the specified use without further testing or modification.

Customers are responsible for the design and operation of their applications and products using Nexperia products, and Nexperia accepts no liability for any assistance with applications or customer product design. It is customer's sole responsibility to determine whether the Nexperia product is suitable and fit for the customer's applications and products planned, as well as for the planned application and use of customer's third party customer(s). Customers should provide appropriate design and operating safeguards to minimize the risks associated with their applications and products.

Nexperia does not accept any liability related to any default, damage, costs or problem which is based on any weakness or default in the customer's applications or products, or the application or use by customer's third party customer(s). Customer is responsible for doing all necessary testing for the customer's applications and products using Nexperia products in order to avoid a default of the applications and the products or of the application or use by customer's third party customer(s). Nexperia does not accept any liability in this respect.

Limiting values — Stress above one or more limiting values (as defined in the Absolute Maximum Ratings System of IEC 60134) will cause permanent damage to the device. Limiting values are stress ratings only and (proper) operation of the device at these or any other conditions above those given in the Recommended operating conditions section (if present) or the Characteristics sections of this document is not warranted. Constant or repeated exposure to limiting values will permanently and irreversibly affect the quality and reliability of the device.

Terms and conditions of commercial sale — Nexperia products are sold subject to the general terms and conditions of commercial sale, as published at <http://www.nexperia.com/profile/terms>, unless otherwise agreed in a valid written individual agreement. In case an individual agreement is concluded only the terms and conditions of the respective agreement shall apply. Nexperia hereby expressly objects to applying the customer's general terms and conditions with regard to the purchase of Nexperia products by customer.

No offer to sell or license — Nothing in this document may be interpreted or construed as an offer to sell products that is open for acceptance or the grant, conveyance or implication of any license under any copyrights, patents or other industrial or intellectual property rights.

Export control — This document as well as the item(s) described herein may be subject to export control regulations. Export might require a prior authorization from competent authorities.

Translations — A non-English (translated) version of a document is for reference only. The English version shall prevail in case of any discrepancy between the translated and English versions.

15.4 Trademarks

Notice: All referenced brands, product names, service names and trademarks are the property of their respective owners.

16. Contact information

For more information, please visit: <http://www.nexperia.com>

For sales office addresses, please send an email to: salesaddresses@nexperia.com

17. Contents

| | | |
|-----------|---|-----------|
| 1 | General description | 1 |
| 2 | Features and benefits | 1 |
| 3 | Ordering information | 2 |
| 4 | Functional diagram | 2 |
| 5 | Pinning information | 4 |
| 5.1 | Pinning | 4 |
| 5.2 | Pin description | 4 |
| 6 | Functional description | 5 |
| 7 | Limiting values | 5 |
| 8 | Recommended operating conditions | 6 |
| 9 | Static characteristics | 6 |
| 10 | Dynamic characteristics | 8 |
| 11 | Waveforms | 10 |
| 12 | Package outline | 13 |
| 13 | Abbreviations | 16 |
| 14 | Revision history | 16 |
| 15 | Legal information | 17 |
| 15.1 | Data sheet status | 17 |
| 15.2 | Definitions | 17 |
| 15.3 | Disclaimers | 17 |
| 15.4 | Trademarks | 18 |
| 16 | Contact information | 18 |
| 17 | Contents | 19 |

Данный компонент на территории Российской Федерации

Вы можете приобрести в компании MosChip.

Для оперативного оформления запроса Вам необходимо перейти по данной ссылке:

<http://moschip.ru/get-element>

Вы можете разместить у нас заказ для любого Вашего проекта, будь то серийное производство или разработка единичного прибора.

В нашем ассортименте представлены ведущие мировые производители активных и пассивных электронных компонентов.

Нашей специализацией является поставка электронной компонентной базы двойного назначения, продукции таких производителей как XILINX, Intel (ex.ALTERA), Vicor, Microchip, Texas Instruments, Analog Devices, Mini-Circuits, Amphenol, Glenair.

Сотрудничество с глобальными дистрибьюторами электронных компонентов, предоставляет возможность заказывать и получать с международных складов практически любой перечень компонентов в оптимальные для Вас сроки.

На всех этапах разработки и производства наши партнеры могут получить квалифицированную поддержку опытных инженеров.

Система менеджмента качества компании отвечает требованиям в соответствии с ГОСТ Р ИСО 9001, ГОСТ РВ 0015-002 и ЭС РД 009

Офис по работе с юридическими лицами:

105318, г.Москва, ул.Щербаковская д.3, офис 1107, 1118, ДЦ «Щербаковский»

Телефон: +7 495 668-12-70 (многоканальный)

Факс: +7 495 668-12-70 (доб.304)

E-mail: info@moschip.ru

Skype отдела продаж:

moschip.ru

moschip.ru_4

moschip.ru_6

moschip.ru_9