

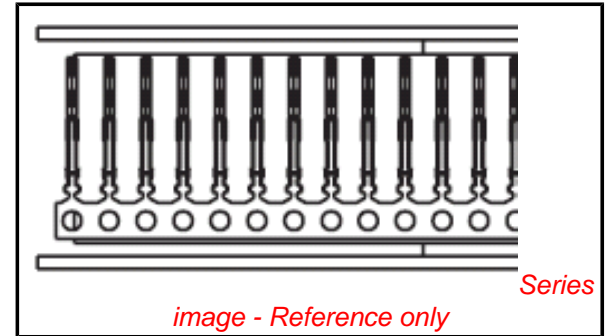
PLEASE CHECK WWW.MOLEX.COM FOR LATEST PART INFORMATION

Part Number: [0830009503](#)
Status: **Active**
Overview: [commercial_microd](#)
Description: 1.27mm (.050") Pitch Ulti-Mate™ Commerical Micro D, Cable Receptacle Kit, 9|25|15 Circuits

Documents:

[Packaging Specification \(PDF\)](#)
[Drawing \(PDF\)](#)

[RoHS Certificate of Compliance \(PDF\)](#)



General

Product Family	I/O Connectors
Series	83000
Application	Wire-to-Board
Component Type	Receptacle
Overview	commercial_microd
Product Literature Order No	USA-063
Product Name	Commercial Micro-D
Type	N/A

Physical

Circuits (Loaded)	1
Circuits (maximum)	1
Durability (mating cycles max)	500
Lock to Mating Part	Yes
Material - Plating Mating	Gold
Material - Plating Termination	Tin
Orientation	N/A
PCB Retention	N/A
Packaging Type	Reel
Panel Mount	No
Pitch - Mating Interface (in)	0.050 In
Pitch - Mating Interface (mm)	1.27 mm
Plating min: Mating (µin)	5
Plating min: Mating (µm)	0.125
Plating min: Termination (µin)	50
Plating min: Termination (µm)	1.25
Polarized to Mating Part	Yes
Surface Mount Compatible (SMC)	N/A
Temperature Range - Operating	-55°C to +70°C
Termination Interface: Style	Crimp or Compression
Wire Size AWG	26, 28

Electrical

Current - Maximum per Contact	3A
Shielded	Yes
Voltage - Maximum	350V

Material Info

Reference - Drawing Numbers

Packaging Specification	PK-83000-005
Sales Drawing	SD-83000-002

EU RoHS

ELV and RoHS Compliant
REACH SVHC Contains SVHC: No
Halogen-Free Status
Halogen-Free

China RoHS



Need more information on product environmental compliance?

Email productcompliance@molex.com
 For a multiple part number RoHS Certificate of Compliance, [click here](#)

Please visit the [Contact Us](#) section for any non-product compliance questions.

Search Parts in this Series

[83000Series](#)

Mates With

[83611](#) , [83619](#) , [83612](#) , [83614](#)

Application Tooling | FAQ

Tooling specifications and manuals are found by selecting the products below. Crimp Height Specifications are then contained in the Application Tooling Specification document.

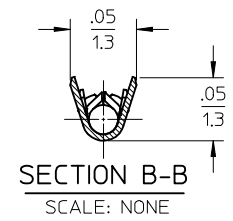
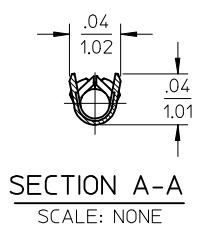
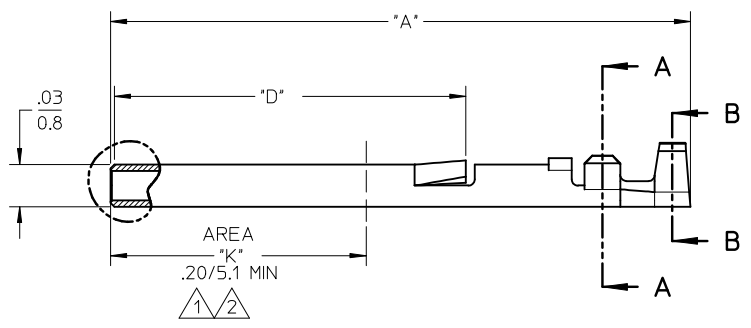
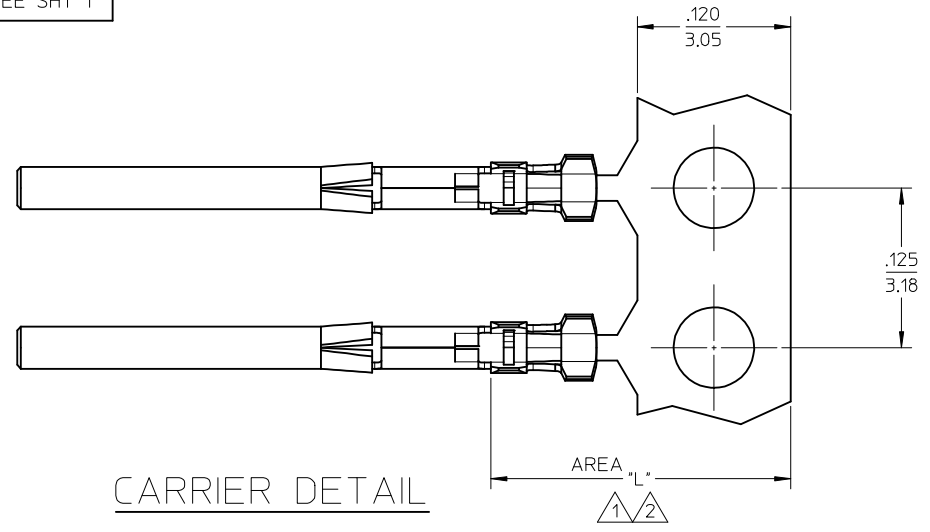
Global

Description	Product #
Hand Crimp Tool	0638114800
T2 Terminator Die	0638522000
FineAdjust™ Applicator	0638622000

PLEASE CHECK WWW.MOLEX.COM FOR LATEST PART INFORMATION

10 9 8 7 6 5 4 3 2 1

MATERIAL NUMBER	ENGINEERING NUMBER
SEE SHT 1	SEE SHT 1

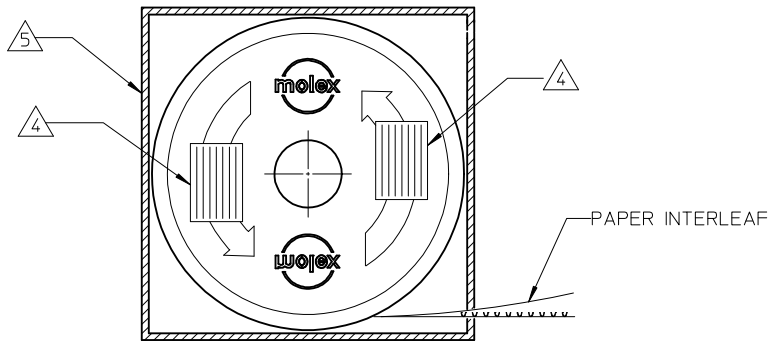
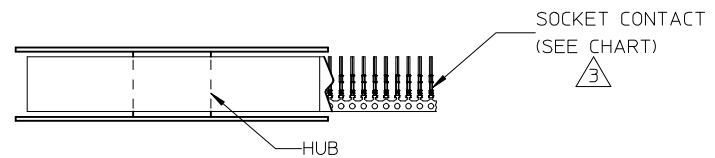


SALES DRAWING

REDRAWN EC NO: WNA2008-0145 DRWNRUPERT 2008/10/17 CHKD: APPR: JFURPHY 2008/11/12 REV	QUALITY SYMBOLS	GENERAL TOLERANCES (UNLESS SPECIFIED) <table border="1"> <tr> <td></td> <td>mm</td> <td>INCH</td> </tr> <tr> <td>4 PLACES</td> <td>± ---</td> <td>± ---</td> </tr> <tr> <td>3 PLACES</td> <td>± ---</td> <td>± .005</td> </tr> <tr> <td>2 PLACES</td> <td>± 0.13</td> <td>± .010</td> </tr> <tr> <td>1 PLACE</td> <td>± 0.3</td> <td>± ---</td> </tr> </table> ANGULAR ±1/2° DRAFT WHERE APPLICABLE MUST REMAIN WITHIN DIMENSIONS		mm	INCH	4 PLACES	± ---	± ---	3 PLACES	± ---	± .005	2 PLACES	± 0.13	± .010	1 PLACE	± 0.3	± ---	DIMENSION STYLE	SCALE	DESIGN UNITS	THIRD ANGLE PROJECTION CONTACT, SOCKET, COMM. MICRO-D MOLEX INCORPORATED DOCUMENT NO. SD-83000-002 SHEET NO. 1 OF 2
			mm	INCH																	
	4 PLACES		± ---	± ---																	
	3 PLACES		± ---	± .005																	
2 PLACES	± 0.13	± .010																			
1 PLACE	± 0.3	± ---																			
▽=0 C=0	IN/MM	10:1	INCH																		
	DRAWN BY	DATE	TITLE																		
	BRE 02/01/22 CHECKED BY HEB 02/01/22 APPROVED BY RWD 02/01/22 MATERIAL NO. SEE CHART SIZE A3	THIS DRAWING CONTAINS INFORMATION THAT IS PROPRIETARY TO MOLEX INCORPORATED AND SHOULD NOT BE USED WITHOUT WRITTEN PERMISSION																			

9 8 7 6 5 4 3 2 1

10	9	8	7	6	5	4	3	2	1
MATERIAL NUMBER	ENGINEERING NUMBER	DESCRIPTION	FINISH	A	D				
830009502	83000-9502	2.5 K PER REEL	△1	.456/(11.58) (SEE SHT 2)	.278/(7.06) (SEE SHT 2)				
830009503	83000-9503	50.0 K PER REEL	△1						
830000083	83000-0083	LOOSE PIECE TERMINAL	△1						
830009550	83000-9550	2.5 K PER REEL	△2						
830009547	83000-9547	2.5 K PER REEL	△1	.426/(10.82) (SEE SHT 2)	.248/(6.30) (SEE SHT 2)				
830000106	83000-0106	LOOSE PIECE TERMINAL	△1						
830009557	83000-9557	50.0 K PER REEL	△2	.456/(11.58)	.278/(7.06)				



NOTES:

△1 FINISH:

- A. NICKEL PLATING 50 μ IN MIN THICKNESS OVERALL, PER QQ-N-290, CLASS 2.
- B. FOLLOWED BY 30 μ IN MIN. GOLD PER MIL-G-45204, TYPE II, GRADE C, IN AREA "K". (SHOWN ON SHT 2)
- C. FOLLOWED BY 5-10 μ IN GOLD PER MIL-G-45204, TYPE II, GRADE C IN AREA "K".
- D. FOLLOWED BY 50 μ IN TIN PER MIL-T-10727, TYPE I IN AREA "L". (SHOWN ON SHEET 2).

△2 FINISH: (830009550 & 830009557)

- A. NICKEL PLATING 50 μ IN MIN THICKNESS OVERALL, PER QQ-N-290, CLASS 2.
- B. FOLLOWED BY 50 μ IN MIN. GOLD PER MIL-G-45204, TYPE II, GRADE C, IN AREA "K". (SEE SHEET 2)
- C. FOLLOWED BY 50 μ IN TIN PER MIL-T-10727, TYPE I IN AREA "L". (SHOWN ON SHEET 2).

△3 CONTACT TO BE ORIENTATED AS SHOWN.

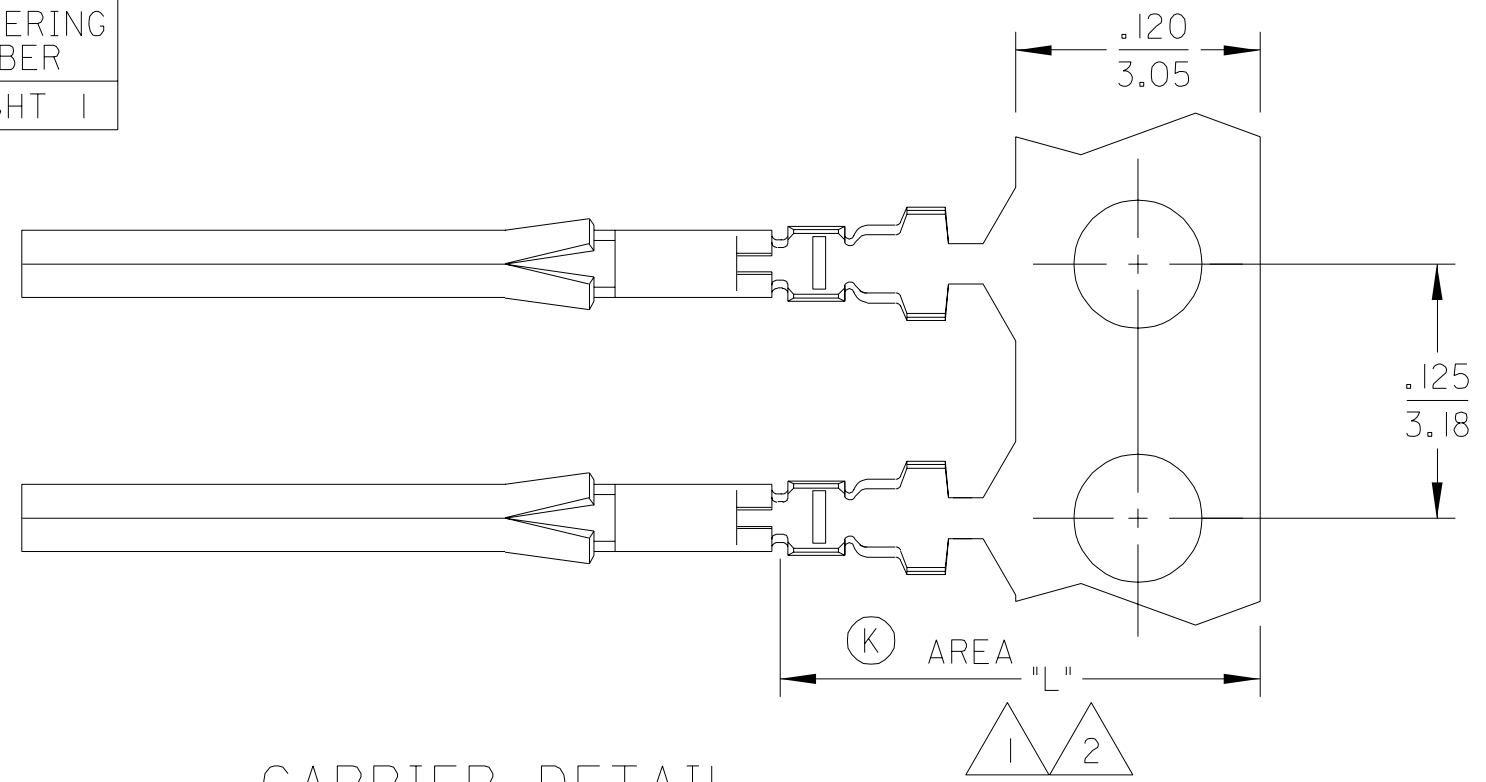
△4 IDENTIFICATION LABELS (2), (REEL).

△5 IDENTIFICATION LABEL, (SHIPPING BOX).

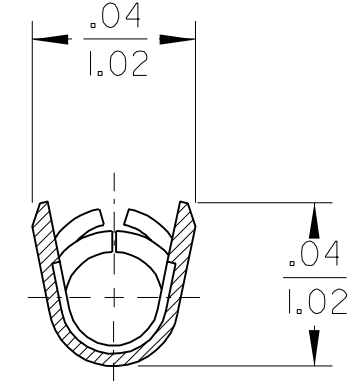
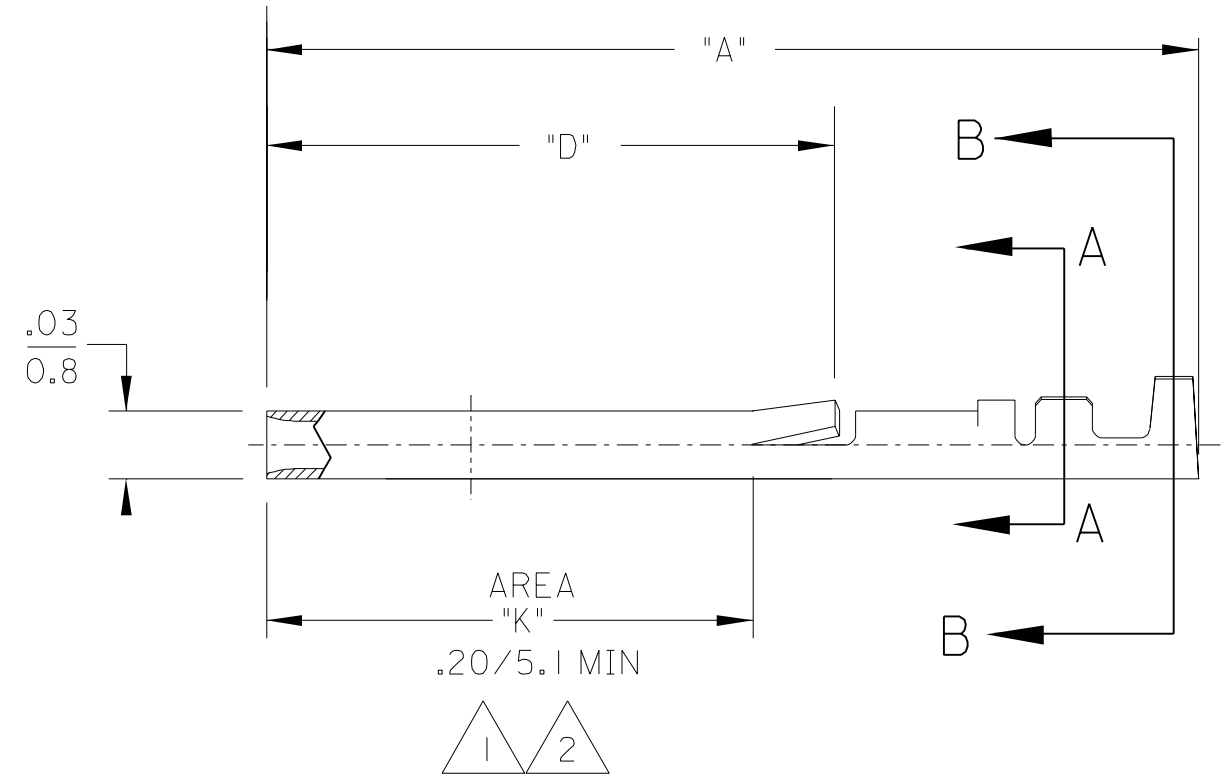
SALES DRAWING

REDRAWN EC NO: WNA2008-0145 DRWNRUPERT 2008/10/17 CHKD: APPR: JF MURPHY 2008/11/12	QUALITY SYMBOLS	GENERAL TOLERANCES (UNLESS SPECIFIED)		DIMENSION STYLE IN/MM		SCALE 10:1	DESIGN UNITS INCH	THIRD ANGLE PROJECTION	
	▽=0	mm	INCH	DRAWN BY BRE	DATE 02/01/22	TITLE CONTACT, SOCKET, COMM. MICRO-D			
	∇=0	4 PLACES ± --- ± ---	3 PLACES ± --- ± .005	CHECKED BY HEB	DATE 02/01/22				
		2 PLACES ± 0.13 ± .010	1 PLACE ± 0.3 ± ---	APPROVED BY RWD	DATE 02/01/22	MOLEX INCORPORATED		DOCUMENT NO. SD-83000-002 SHEET NO. 2 OF 2	
	ANGULAR ±1/2°		MATERIAL NO. SEE CHART						
	DRAFT WHERE APPLICABLE MUST REMAIN WITHIN DIMENSIONS			SIZE A3		THIS DRAWING CONTAINS INFORMATION THAT IS PROPRIETARY TO MOLEX INCORPORATED AND SHOULD NOT BE USED WITHOUT WRITTEN PERMISSION			

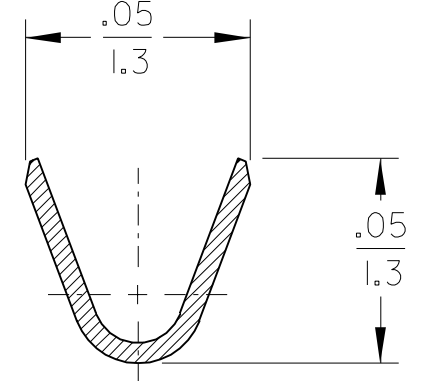
MATERIAL NUMBER	ENGINEERING NUMBER
SEE SHT 1	SEE SHT 1



CARRIER DETAIL



SECTION A-A
SCALE: NONE



SECTION B-B
SCALE: NONE

SALES DRAWING

ETC2003-0182	EC NO. ETC2003-0190	QUALITY SYMBOLS
	DRWN: BRE 03/01/30	
K	CH'K: HEB/JAL 03/01/30	MAJOR
	APPR: RWD 03/01/30	CRITICAL
REV	DESCRIPTION	

GENERAL TOLERANCES: (UNLESS SPECIFIED)	
4 PLACES	±0. ±.
3 PLACES	±0. ±.005
2 PLACES	±0.13 ±.010
1 PLACE	±0.3 ±.
ANGULAR: ±1/2 °	
DRAFT WHERE APPLICABLE MUST REMAIN WITHIN DIMENSIONS	

SCALE NO: NE	DESIGN UNITS <input type="checkbox"/> mm <input checked="" type="checkbox"/> INCH
DRAWN BY & DATE BRE 02/01/22	
CHECKED BY & DATE HEB 02/01/22	
APPROVED BY & DATE RWD 02/01/22	
CAD FILENAME	SD83000002.DGN

THIRD ANGLE PROJECTION

DIMENSIONS: <input type="checkbox"/> mm <input checked="" type="checkbox"/> INCH	SHT	REV
<input type="checkbox"/> mm ONLY		REVISE ON CAD ONLY

TITLE: CONTACT, SOCKET

MOLLEX MOLEX INCORPORATED

MATERIAL NO. SEE CHART	DRAWING NO. SD-83000-002	SHEET NO. 2 OF 2
------------------------	--------------------------	------------------

THIS DRAWING CONTAINS INFORMATION THAT IS PROPRIETARY TO MOLEX INCORPORATED AND SHOULD NOT BE USED WITHOUT WRITTEN PERMISSION.

Данный компонент на территории Российской Федерации

Вы можете приобрести в компании MosChip.

Для оперативного оформления запроса Вам необходимо перейти по данной ссылке:

<http://moschip.ru/get-element>

Вы можете разместить у нас заказ для любого Вашего проекта, будь то серийное производство или разработка единичного прибора.

В нашем ассортименте представлены ведущие мировые производители активных и пассивных электронных компонентов.

Нашей специализацией является поставка электронной компонентной базы двойного назначения, продукции таких производителей как XILINX, Intel (ex.ALTERA), Vicor, Microchip, Texas Instruments, Analog Devices, Mini-Circuits, Amphenol, Glenair.

Сотрудничество с глобальными дистрибьюторами электронных компонентов, предоставляет возможность заказывать и получать с международных складов практически любой перечень компонентов в оптимальные для Вас сроки.

На всех этапах разработки и производства наши партнеры могут получить квалифицированную поддержку опытных инженеров.

Система менеджмента качества компании отвечает требованиям в соответствии с ГОСТ Р ИСО 9001, ГОСТ РВ 0015-002 и ЭС РД 009

Офис по работе с юридическими лицами:

105318, г.Москва, ул.Щербаковская д.3, офис 1107, 1118, ДЦ «Щербаковский»

Телефон: +7 495 668-12-70 (многоканальный)

Факс: +7 495 668-12-70 (доб.304)

E-mail: info@moschip.ru

Skype отдела продаж:

moschip.ru

moschip.ru_4

moschip.ru_6

moschip.ru_9