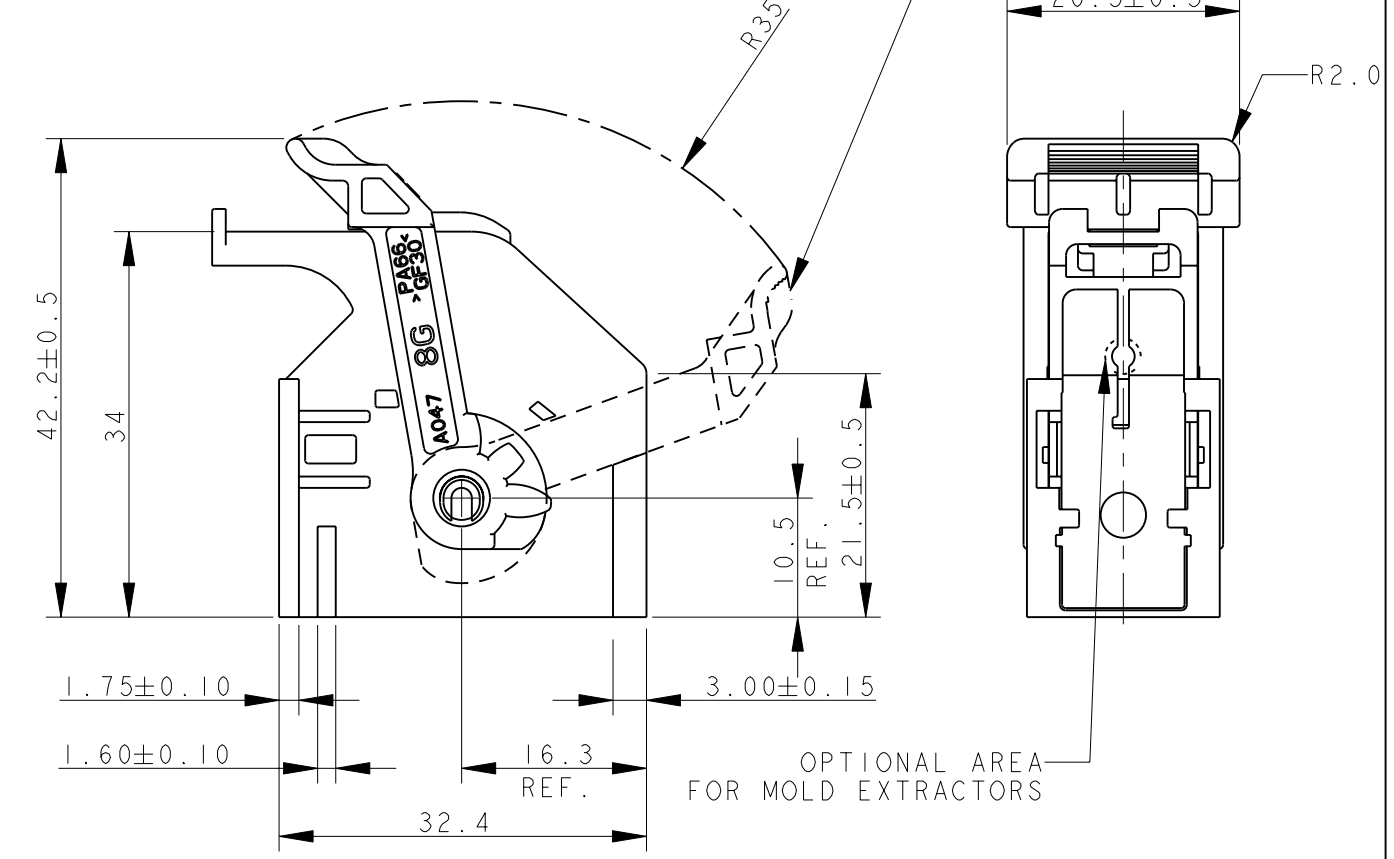
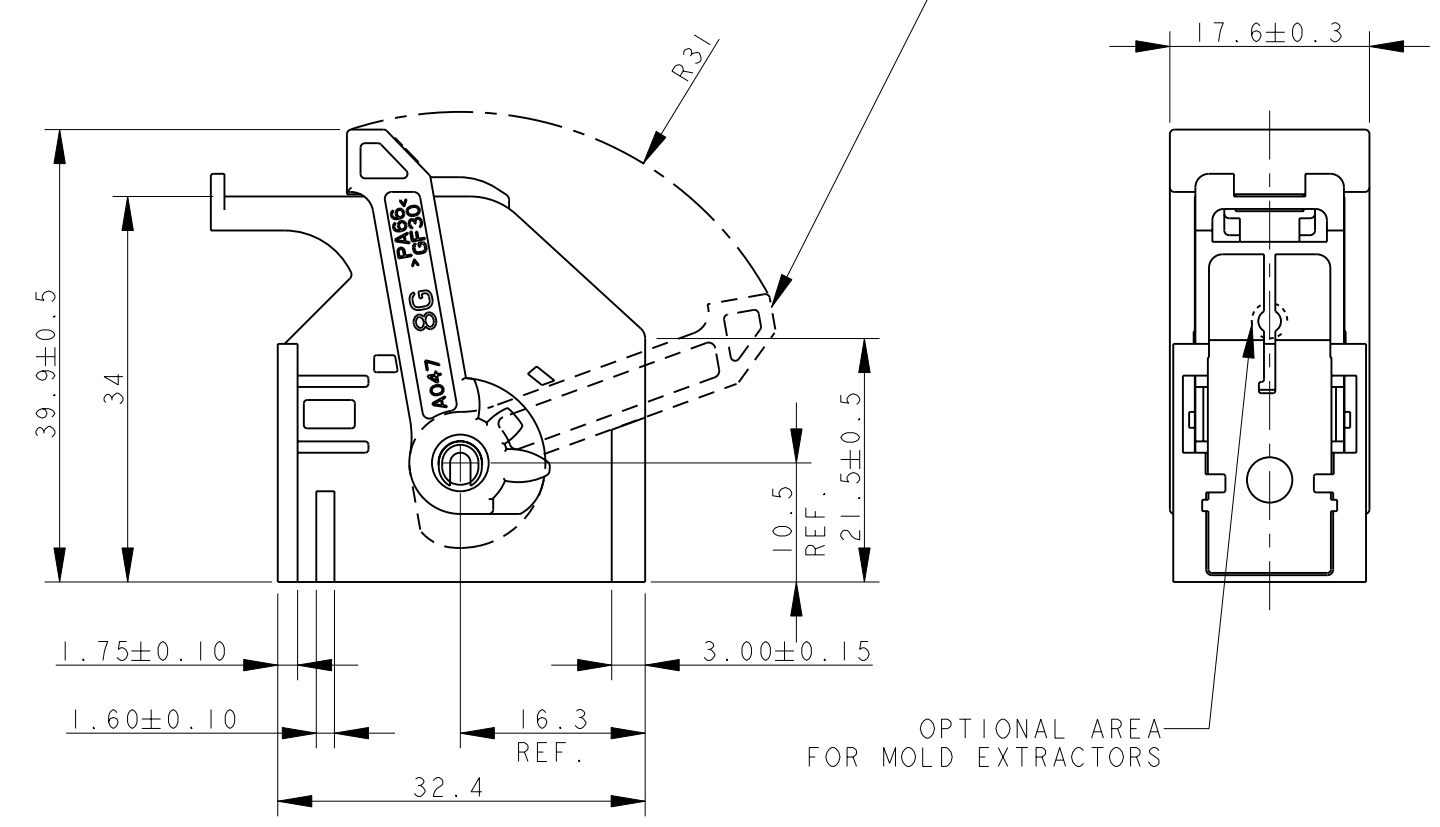
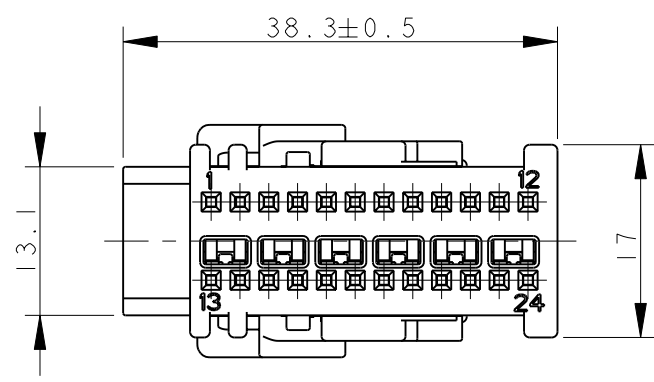
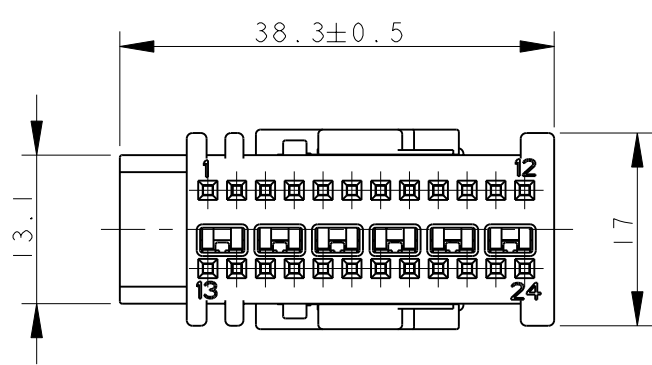
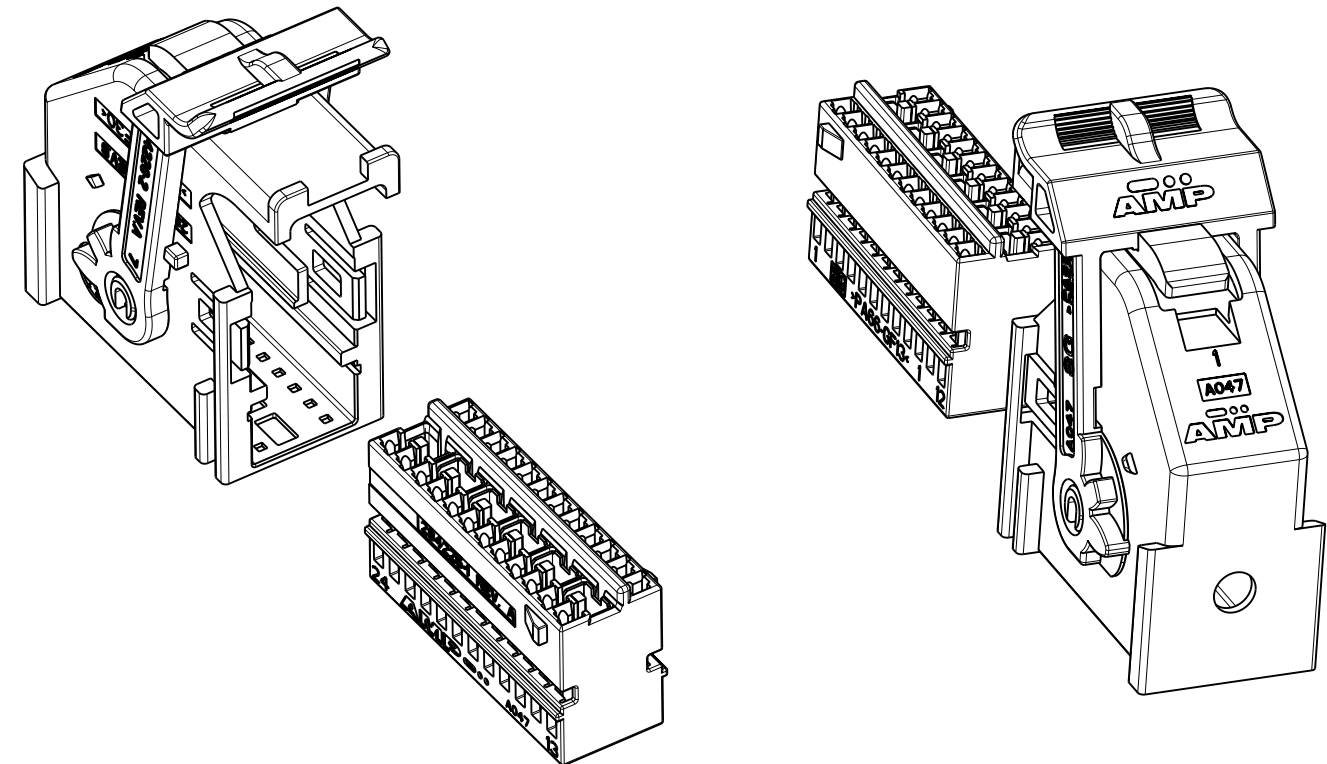
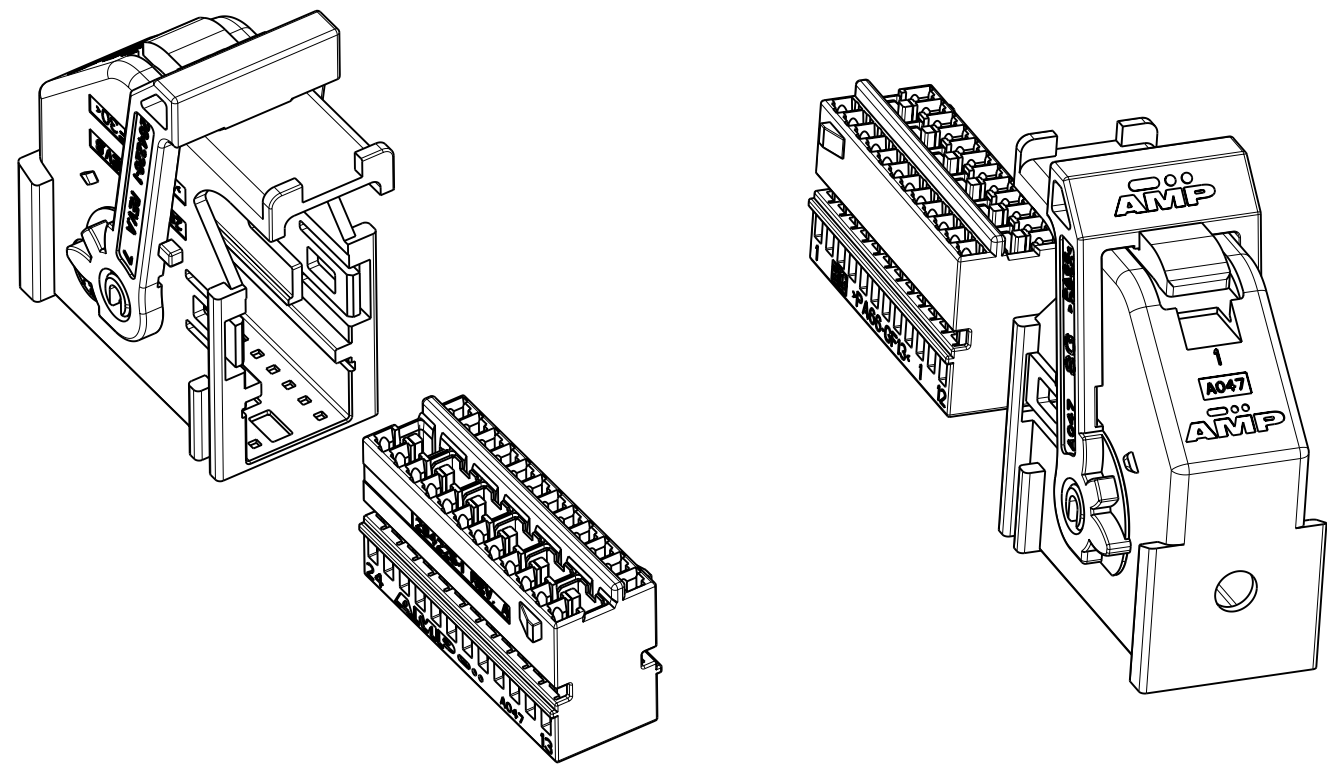


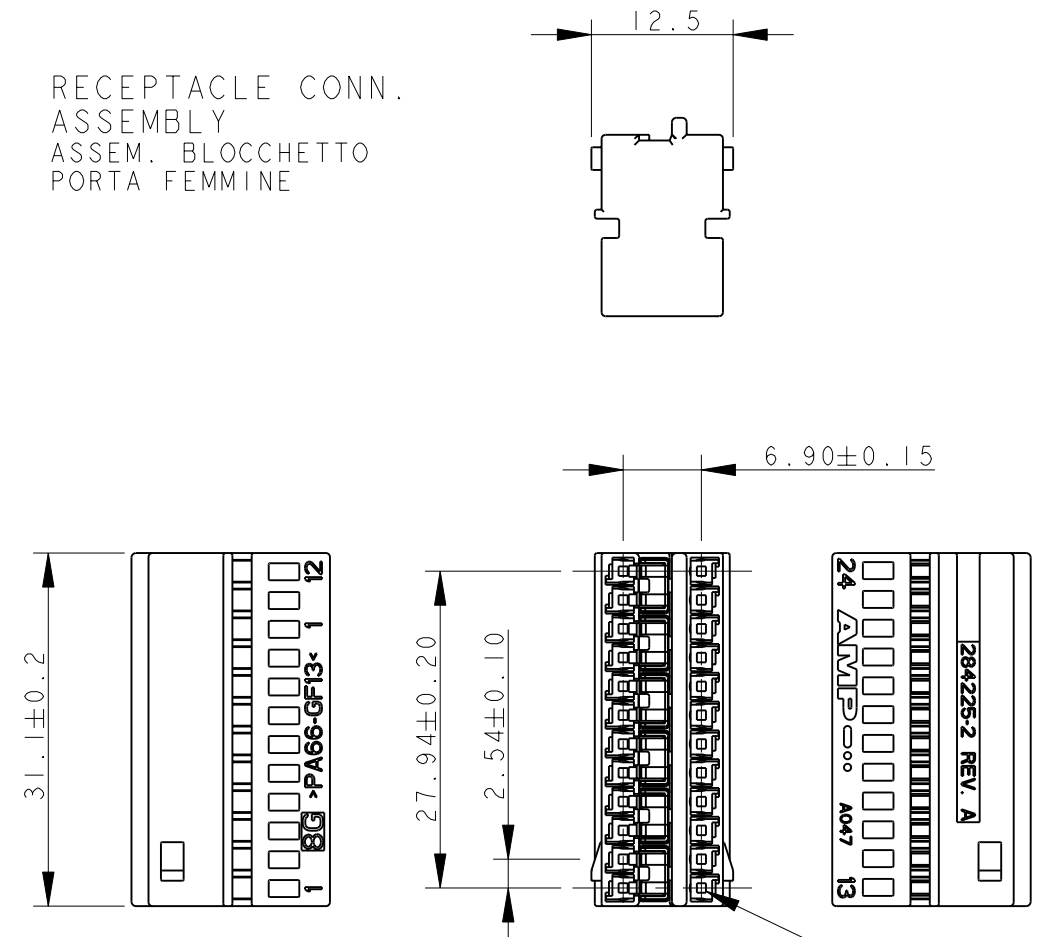
THIS DRAWING IS UNPUBLISHED. RELEASED FOR PUBLICATION 2011
 © COPYRIGHT 2011 Tyco Electronics AMP GmbH ALL RIGHTS RESERVED.

REVISIONS					
P	LTR	DESCRIPTION	DATE	DWN	APVD
B3		REVISED PER ECO-11-005033	29APR11	RK	HMR
B4		REVISED BY ECR-11-025559	21DEC2011	M.F.	M.G.



P/N 284223-3 AS SHOWN
 FOR POLARIZATION DETAIL SEE SHEET 2
P/N 284223-3 COME MOSTRATO
 PER DETTAGLI POLARIZZAZIONE VEDERE FOGLIO 2

P/N 1-284223-3 AS SHOWN
 FOR POLARIZATION DETAIL SEE SHEET 2
P/N 1-284223-3 COME MOSTRATO
 PER DETTAGLI POLARIZZAZIONE VEDERE FOGLIO 2



CAVITIES SUITABLE ONLY FOR FEMALE CONTACTS MQS P/N 144969-2
 CuNiSi + STAINLESS STEEL SPRING
 GOLD PLATED ON CONTACT AREA
 AND ON THE BACK OF THE SPRING
 WIRE RANGE 0.35-0.5 mm2

(CAVITA' ADATTE SOLO PER CONTATTI FEMMINA MQS P.N. 144969-2
 CuNiSi + MOLLA ACCIAIO INOX
 DORATURA SULLA ZONA DI CONTATTO E SUL DORSO DELLA MOLLA
 RANGO FILO 0.35-0.5 mm2)

1) THE PRODUCT IS SUPPLIED WITH LEVER IN CLOSED POSITION
 (IL PRODOTTO VIENE FORNITO CON LA LEVA IN POSIZIONE CHIUSA)

2) P/Ns 1-284223-3, 1-284223-4, 1-284223-5, 1-284223-6 AND 1-284223-7
 DIFFER RESPECTIVELY FROM P/Ns 284223-3, 284223-4, 284223-5, 284223-6 AND 284223-7
 ONLY FOR LEVER SHAPE
 FOR POLARIZATION DETAILS SEE FOLLOWING SHEETS

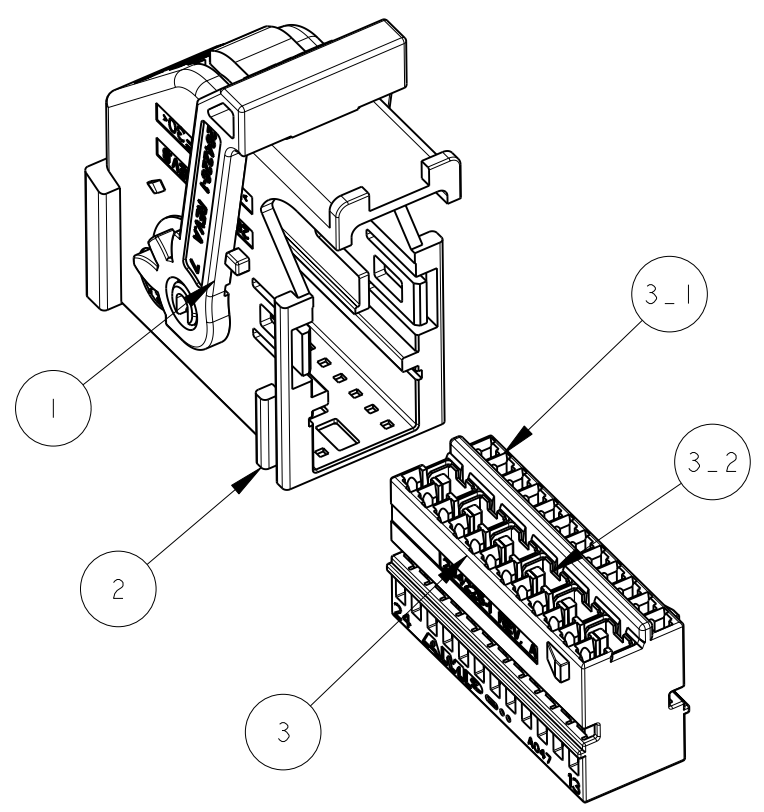
(1 P/N 1-284223-3, 1-284223-4, 1-284223-5, 1-284223-6 E 1-284223-7
 DIFFERISCONO RISPETTIVAMENTE DAI P/N 284223-3, 284223-4, 284223-5, 284223-6 AND 284223-7
 SOLO PER LA FORMA DELLA LEVA
 PER DETTAGLI POLARIZZAZIONI VEDERE FOGLI SEGUENTI)

3) FOR PROPER MATING WITH PIN HEADER SEE INTRUCTION SHEET N. 411-20054
 (PER CORRETTO ACCOPPIAMENTO CON PIN HEADER VEDI FOGLIO ISTRUZIONI N. 411-20054)

THIS DRAWING IS A CONTROLLED DOCUMENT.		DWN P. CASSANDRIN 30NOV98	TE Connectivity	
DIMENSIONS: mm		CHK A. GENTA 30NOV98		
TOLERANCES UNLESS OTHERWISE SPECIFIED:		APVD A. BRUNI 30NOV98	NAME 24 POSITIONS AIRBAG CONNECTOR KIT ASS'Y	
0 PLC ±0.3 1 PLC ±0.2 2 PLC ±0.2 3 PLC ± 4 PLC ±		PRODUCT SPEC 108-20202	APPLICATION SPEC I.S. 411-20054	
MATERIAL		WEIGHT	SIZE A260779	CAGE CODE C-284223
FINISH		CUSTOMER DRAWING	SCALE 3:2	SHEET 1 OF 6
			RESTRICTED TO	REV B4

THIS DRAWING IS UNPUBLISHED. RELEASED FOR PUBLICATION 2011
 © COPYRIGHT 2011 Tyco Electronics AMP GmbH ALL RIGHTS RESERVED.

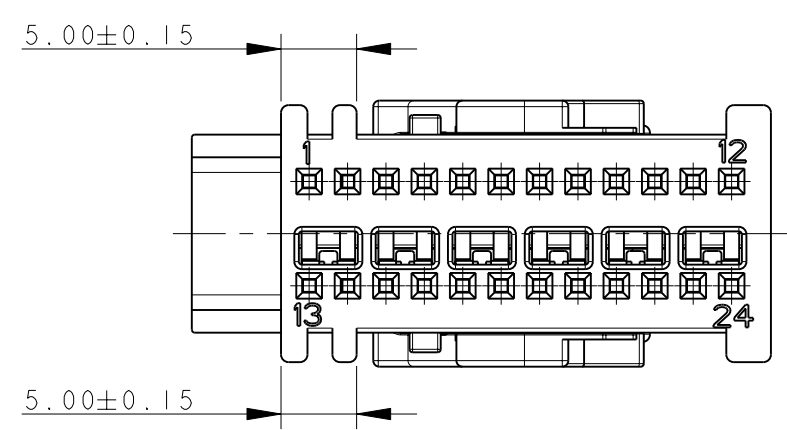
LOC	DIST	REVISIONS			
P	LTR	DESCRIPTION	DATE	DWN	APVD
-	-	SEE SHEET 1	-	-	-



ITEM VOCE	DESCRIZIONE	MATERIALE	Q.TY Q.TA'
1	LEVER LEVA	PA 66 GF30 COLOR GREEN COLORE VERDE	1
2	COVER CORAZZA	PA 66 GF30 COLOR GRAY COLORE GRIGIO	1
3	RECEPTACLE CONN. ASSEMBLY ASSEMB. BLOCCHETTO PORTA FEMMINE	SEE TABLE BELOW VEDI TAVOLA SOTTO	1

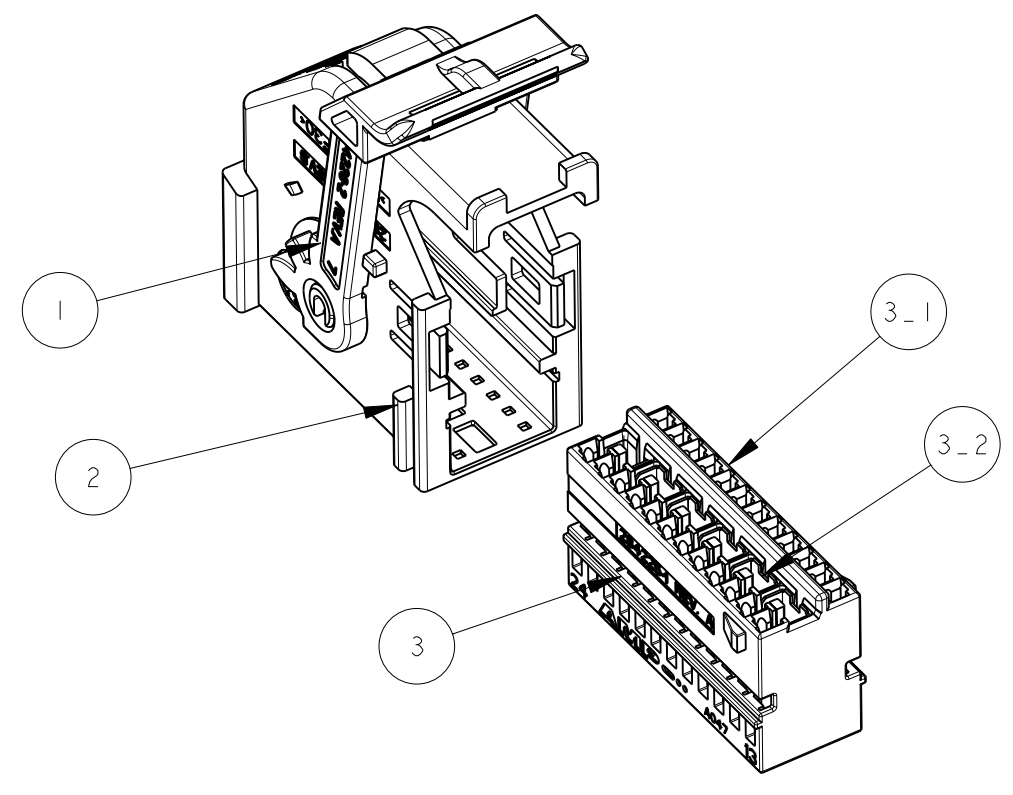
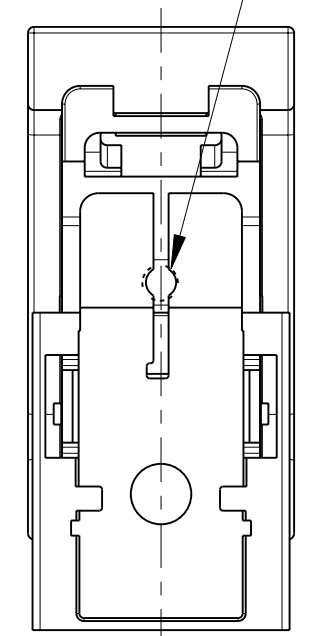
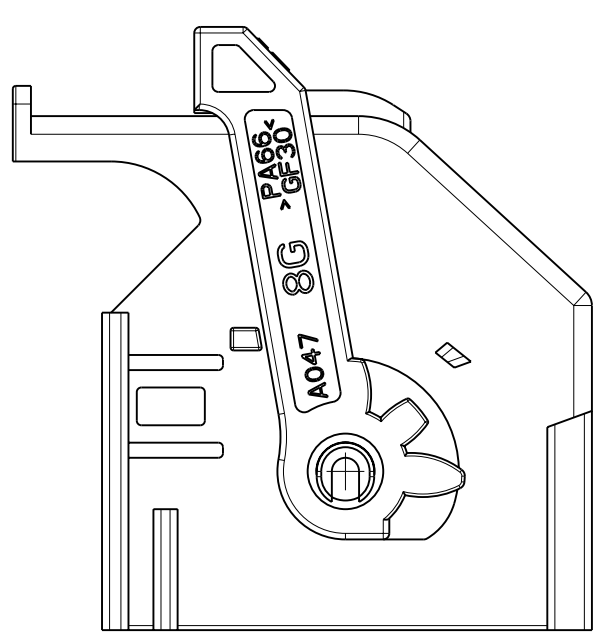
ITEM VOCE	SUB-ITEM SOTTO VOCE	DESCRIPTION DESCRIZIONE	MATERIALE	Q.TY Q.TA'
3	3-1	HOUSING BLOCCHETTO	PA 66 GF13 COLOR GRAY COLORE GRIGIO	1
	3-2	SHORT CIRCUIT SPRING MOLLA DI CORTO CIRCUITO	STAINLESS STEEL ACCIAIO INOX	6

SCALE 3:2



P/N 284223-3

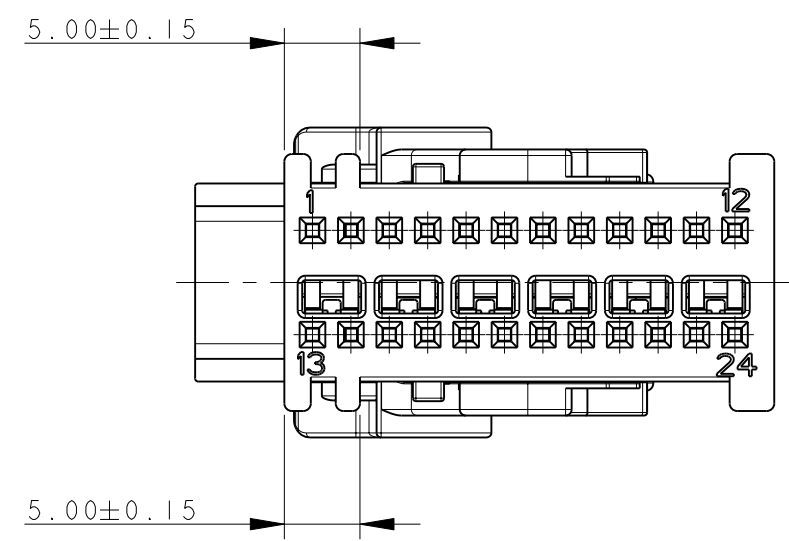
OPTIONAL AREA FOR MOLD EXTRACTORS



ITEM VOCE	DESCRIPTION DESCRIZIONE	MATERIAL MATERIALE	Q.TY Q.TA'
1	LEVER LEVA	PA 66 GF30 COLOR GREEN COLORE VERDE	1
2	COVER CORAZZA	PA 66 GF30 COLOR GRAY COLORE GRIGIO	1
3	RECEPTACLE CONN. ASSEMBLY ASSEMB. BLOCCHETTO PORTA FEMMINE	SEE TABLE BELOW VEDI TAVOLA SOTTO	1

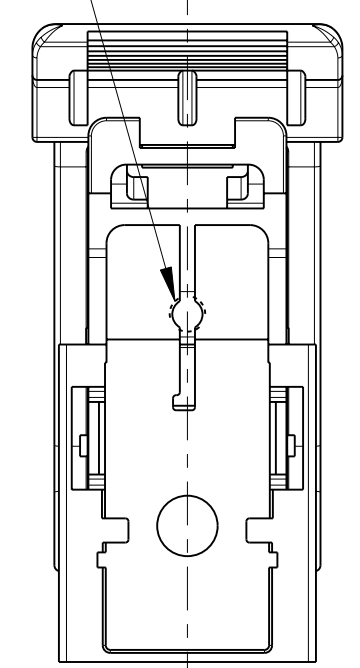
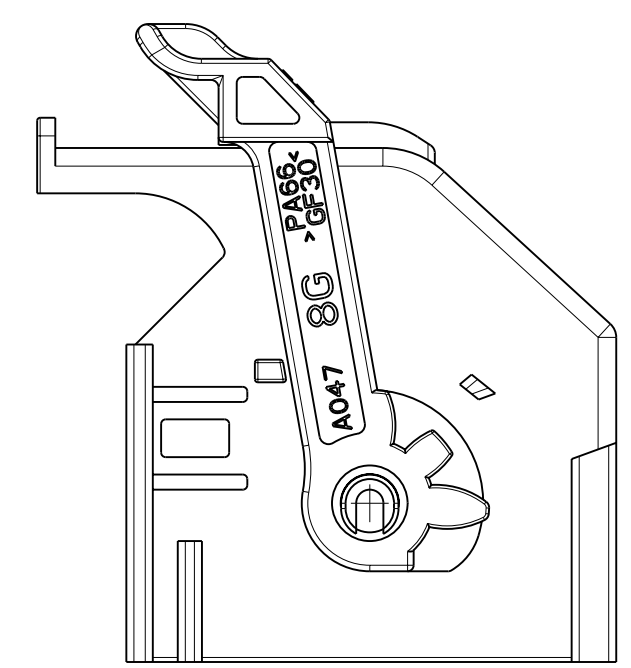
ITEM VOCE	SUB-ITEM SOTTO VOCE	DESCRIPTION DESCRIZIONE	MATERIALE	Q.TY Q.TA'
3	3-1	HOUSING BLOCCHETTO	PA 66 GF13 COLOR GRAY COLORE GRIGIO	1
	3-2	SHORT CIRCUIT SPRING MOLLA DI CORTO CIRCUITO	STAINLESS STEEL ACCIAIO INOX	6

SCALE 3:2



P/N 1-284223-3

OPTIONAL AREA FOR MOLD EXTRACTORS



P/N 284223-3 AND 1-284223-3 KIT ASS'Y AS SHOWN
 P/N 284223-3 E 1-284223-3 KIT COME MOSTRATO

SUITABLE FOR MATING WITH:
 953621 PIN HEADER 24 + 24 POS. -CODE TYPE B-
 1379046 PIN HEADER 24 + 32 POS. -CODE TYPE B-
 1355737 PIN HEADER 24 + 32 POS. -KEY GEOMETRY AB_Ab-

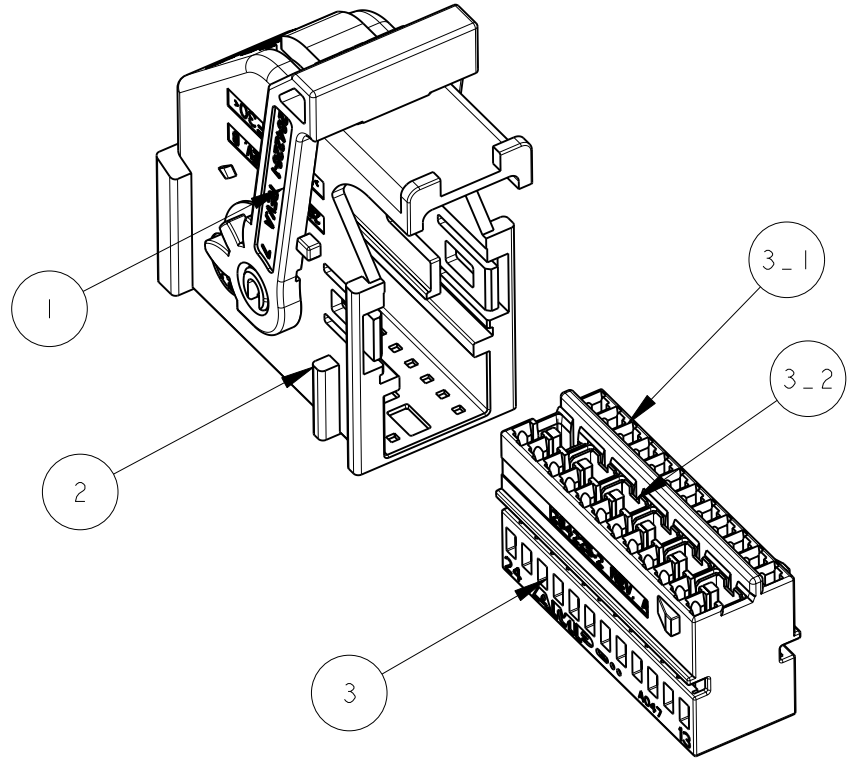
(ADATTI PER ACCOPPIAMENTO CON:
 953621 PIN HEADER 24 + 24 POS. -CODICE TIPO B-
 1379046 PIN HEADER 24 + 32 POS. -CODICE TIPO B-
 1355737 PIN HEADER 24 + 32 POS. -POLARIZZAZIONE GEOMETRICA AB_Ab-)

FOR MISSING DIMENSIONS AND NOTES SEE SHEET 1
 (PER LE DIMENSIONI MANCANTI E LE NOTE VEDERE FOGLIO 1)

THIS DRAWING IS A CONTROLLED DOCUMENT.		DWN P. CASSANDRIN 30NOV98	 TE Connectivity	NAME 24 POSITIONS AIRBAG CONNECTOR KIT ASS'Y	
DIMENSIONS: mm		CHK A. GENTA 30NOV98		SIZE	
TOLERANCES UNLESS OTHERWISE SPECIFIED:		APVD A. BRUNI 30NOV98		CAGE CODE	
0 PLC ±0.3		PRODUCT SPEC 108-20202		DRAWING NO	
1 PLC ±0.2		APPLICATION SPEC I.S. 411-20054	RESTRICTED TO		
2 PLC ±0.2		WEIGHT -	A260779		
3 PLC ±		CUSTOMER DRAWING	C-284223		
4 PLC ±		SCALE 2:1	SHEET 2 OF 6		
ANGLES ±		REV B4			
FINISH					

THIS DRAWING IS UNPUBLISHED. RELEASED FOR PUBLICATION 2011
 © COPYRIGHT 2011 Tyco Electronics AMP GmbH ALL RIGHTS RESERVED.

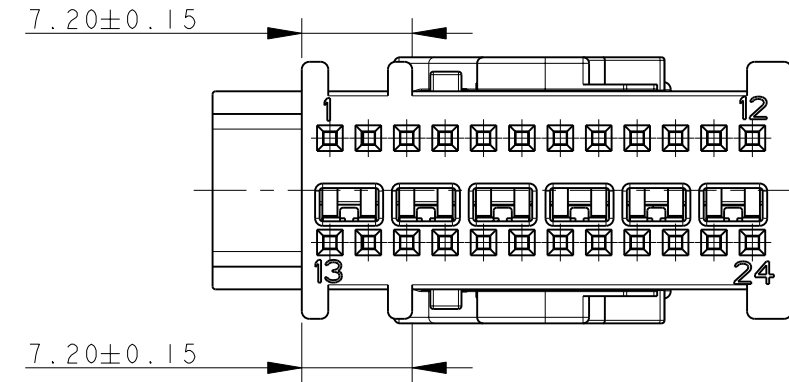
LOC	DIST	REVISIONS			
P	LTR	DESCRIPTION	DATE	DWN	APVD
-	-	SEE SHEET 1	-	-	-



ITEM VOCE	DESCRIPTIONE DESCRIZIONE	MATERIALE MATERIALE	Q.TY Q.TA'
1	LEVER LEVA	PA 66 GF30 COLOR GREEN COLORE VERDE	1
2	COVER CORAZZA	PA 66 GF30 COLOR BLACK COLORE NERO	1
3	RECEPTACLE CONN. ASSEMBLY ASSEM. BLOCCHETTO PORTA FEMMINE	SEE TABLE BELOW VEDI TAVOLA SOTTO	1

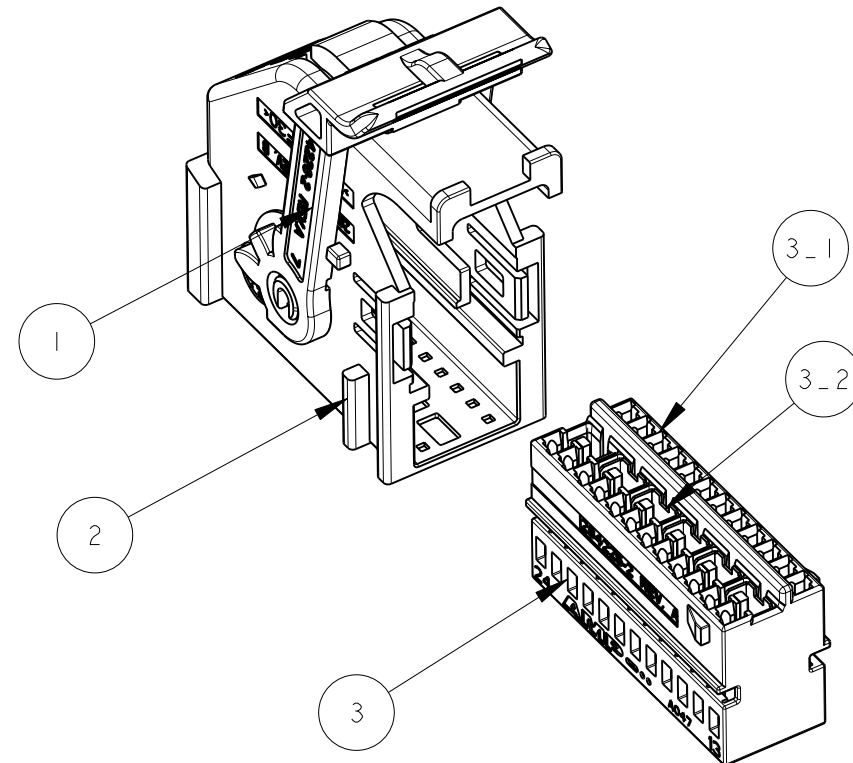
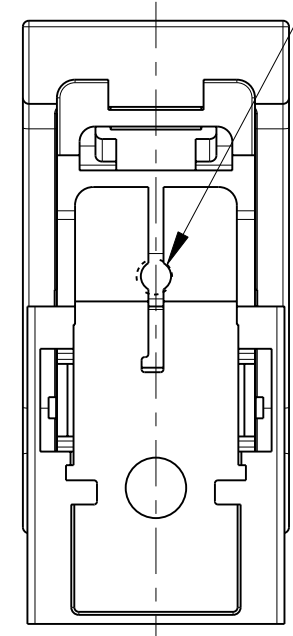
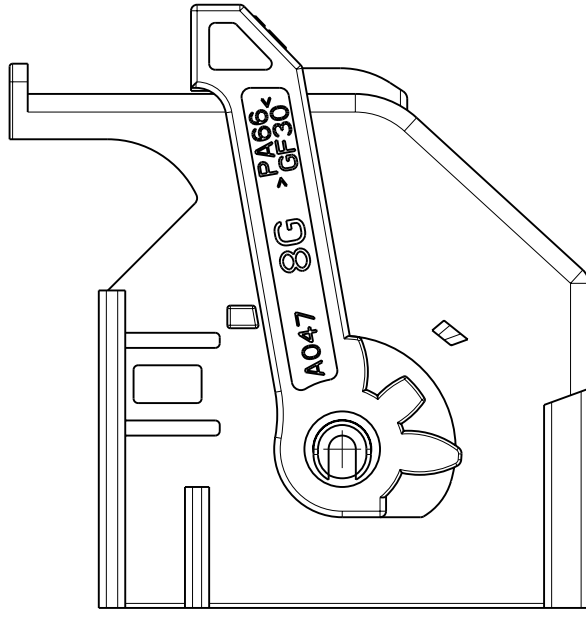
ITEM VOCE	SUB-ITEM SOTTO VOCE	DESCRIPTIONE DESCRIZIONE	MATERIALE MATERIALE	Q.TY Q.TA'
3	3-1	HOUSING BLOCCHETTO	PA 66 GF13 COLOR BLACK COLORE NERO	1
	3-2	SHORT CIRCUIT SPRING MOLLA DI CORTO CIRCUITO	STAINLESS STEEL ACCIAIO INOX	6

SCALE 3:2



P/N 284223-4

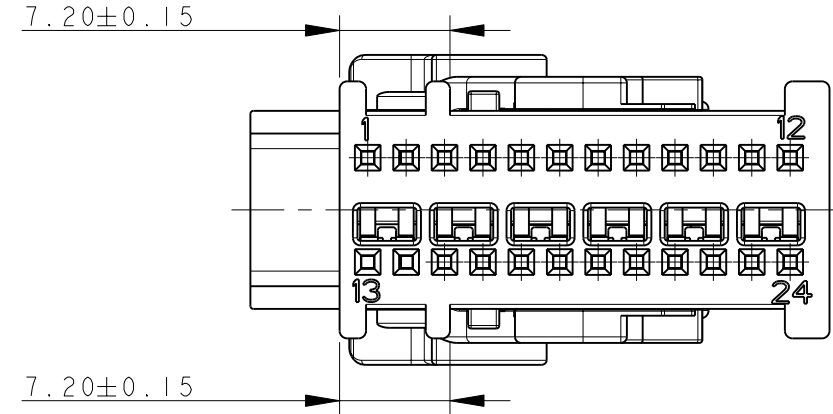
OPTIONAL AREA FOR MOLD EXTRACTORS



ITEM VOCE	DESCRIPTIONE DESCRIZIONE	MATERIALE MATERIALE	Q.TY Q.TA'
1	LEVER LEVA	PA 66 GF30 COLOR GREEN COLORE VERDE	1
2	COVER CORAZZA	PA 66 GF30 COLOR BLACK COLORE NERO	1
3	RECEPTACLE CONN. ASSEMBLY ASSEM. BLOCCHETTO PORTA FEMMINE	SEE TABLE BELOW VEDI TAVOLA SOTTO	1

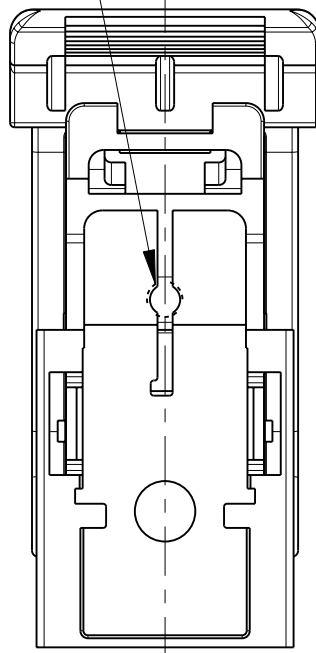
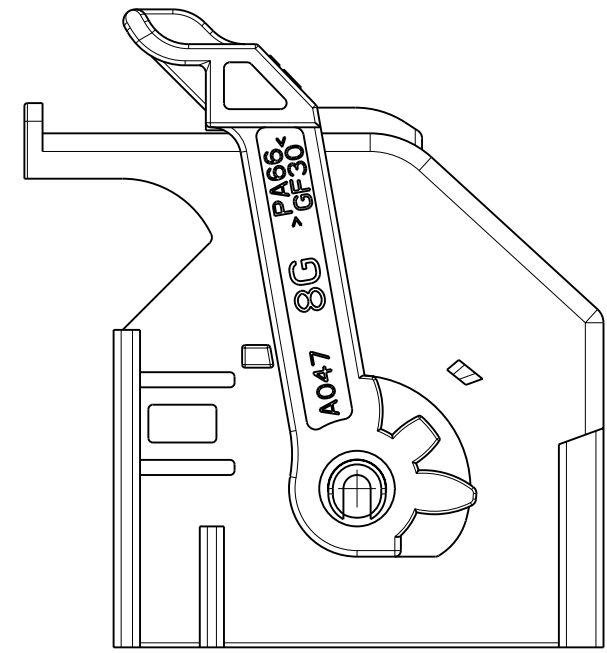
ITEM VOCE	SUB-ITEM SOTTO VOCE	DESCRIPTIONE DESCRIZIONE	MATERIALE MATERIALE	Q.TY Q.TA'
3	3-1	HOUSING BLOCCHETTO	PA 66 GF13 COLOR BLACK COLORE NERO	1
	3-2	SHORT CIRCUIT SPRING MOLLA DI CORTO CIRCUITO	STAINLESS STEEL ACCIAIO INOX	6

SCALE 3:2



P/N 1-284223-4

OPTIONAL AREA FOR MOLD EXTRACTORS



**P/N 284223-4 AND 1-284223-4 KIT ASS'Y AS SHOWN
 P/N 284223-4 E 1-284223-4 KIT COME MOSTRATO**

SUITABLE FOR MATING WITH:
 953621 PIN HEADER 24 + 24 POS. -CODE TYPE A-
 1379046 PIN HEADER 24 + 32 POS. -CODE TYPE A-
 1355737 PIN HEADER 24 + 32 POS. -KEY GEOMETRY AA_Aa-

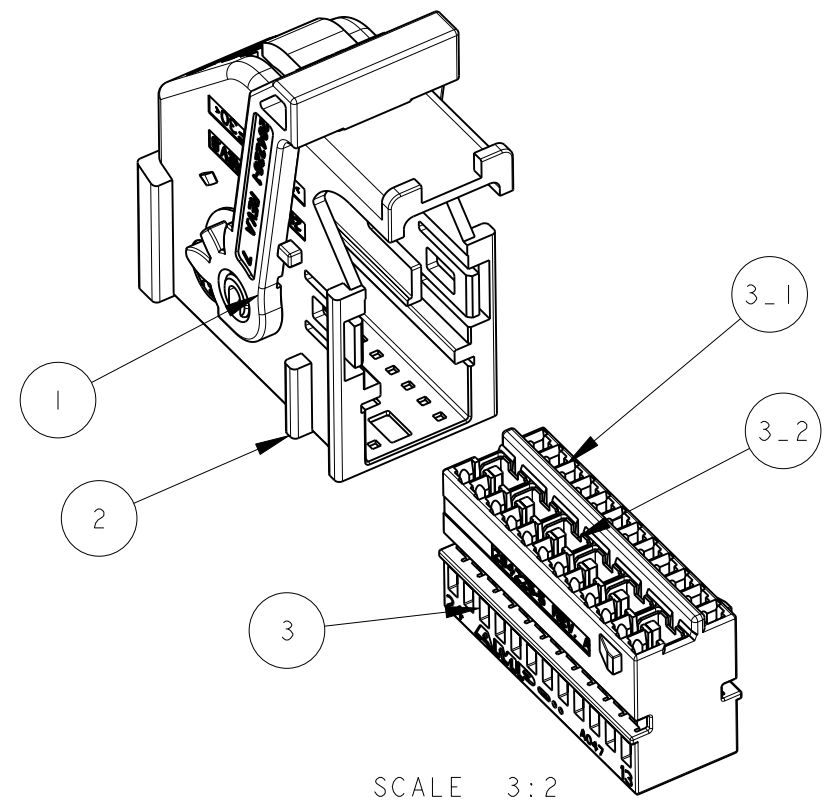
(ADATTI PER ACCOPPIAMENTO CON:
 953621 PIN HEADER 24 + 24 POS. -CODICE TIPO A-
 1379046 PIN HEADER 24 + 32 POS. -CODICE TIPO A-
 1355737 PIN HEADER 24 + 32 POS. -POLARIZZAZIONE GEOMETRICA AA_Aa-)

FOR MISSING DIMENSIONS AND NOTES SEE SHEET 1
 (PER LE DIMENSIONI MANCANTI E LE NOTE VEDERE FOGLIO 1)

THIS DRAWING IS A CONTROLLED DOCUMENT.		DWN P. CASSANDRIN 30NOV98		TE Connectivity	
DIMENSIONS: mm		CHK A. GENTA 30NOV98		NAME 24 POSITIONS AIRBAG CONNECTOR KIT ASS'Y	
TOLERANCES UNLESS OTHERWISE SPECIFIED:		APVD A. BRUNI 30NOV98	PRODUCT SPEC 108-20202		
0 PLC ±0.3		APPLICATION SPEC I.S. 411-20054		SIZE	RESTRICTED TO
1 PLC ±0.2		WEIGHT -		CAGE CODE A200779	DRAWING NO C-284223
2 PLC ±0.2		FINISH -		SCALE 2:1 SHEET 3 OF 6 REV B4	
3 PLC ±		CUSTOMER DRAWING			
4 PLC ±					
ANGLES ±					

THIS DRAWING IS UNPUBLISHED. RELEASED FOR PUBLICATION 2011
 © COPYRIGHT 2011 Tyco Electronics AMP GmbH ALL RIGHTS RESERVED.

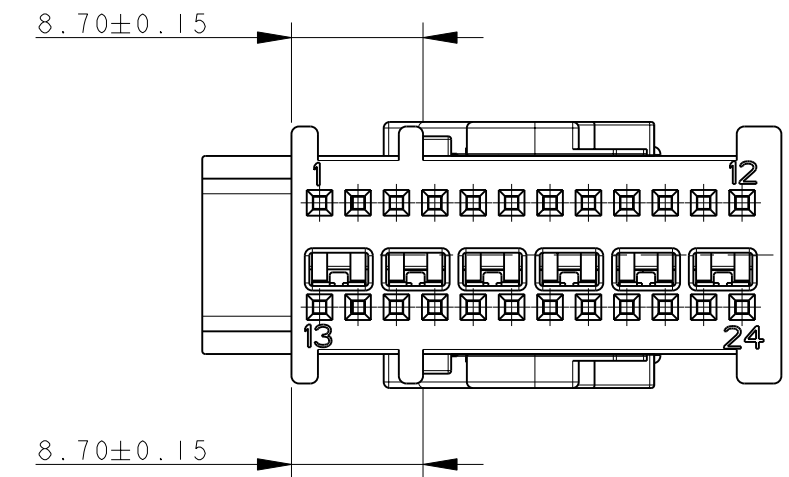
LOC	DIST	REVISIONS			
P	LTR	DESCRIPTION	DATE	DWN	APVD
-	-	SEE SHEET 1	-	-	-



ITEM VOCE	DESCRIPTION DESCRIZIONE	MATERIAL MATERIALE	Q. TY Q. TA'
1	LEVER LEVA	PA 66 GF30 COLOR GREEN COLORE VERDE	1
2	COVER CORAZZA	PA 66 GF30 COLOR BROWN COLORE MARRONE	1
3	RECEPTACLE CONN. ASSEMBLY ASSEM. BLOCCHETTO PORTA FEMMINE	SEE TABLE BELOW VEDI TAVOLA SOTTO	1

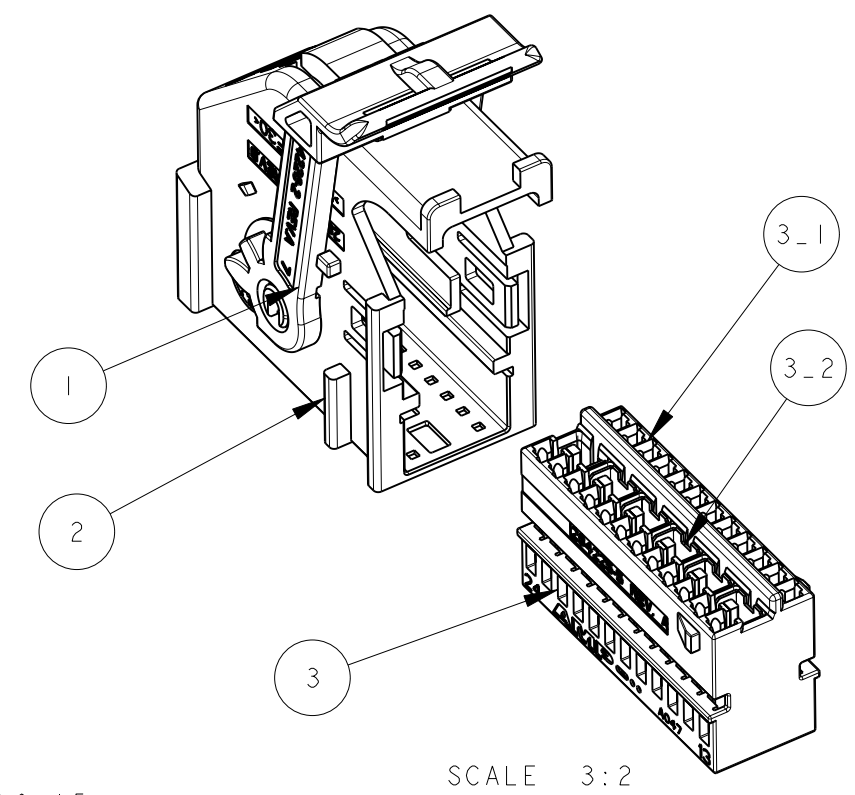
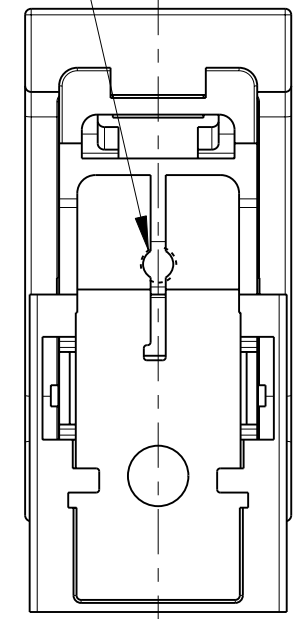
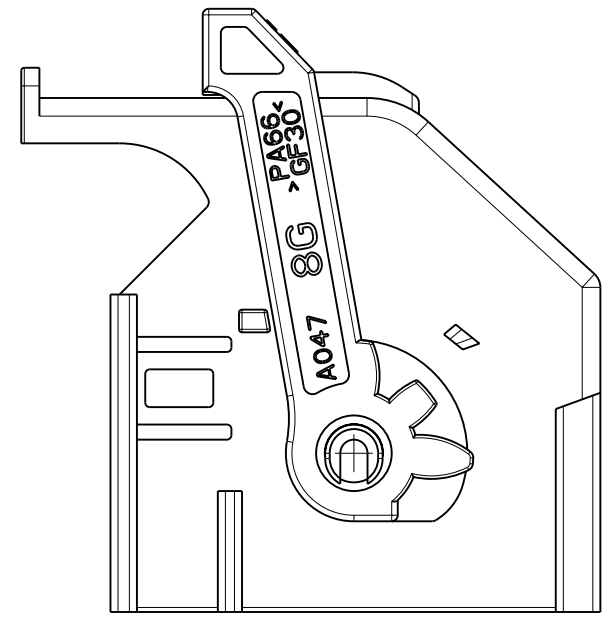
ITEM VOCE	SUB-ITEM SOTTO VOCE	DESCRIPTION DESCRIZIONE	MATERIAL MATERIALE	Q. TY Q. TA'
3	3-1	HOUSING BLOCCHETTO	PA 66 GF13 COLOR BROWN COLORE MARRONE	1
	3-2	SHORT CIRCUIT SPRING MOLLA DI CORTO CIRCUITO	STAINLESS STEEL ACCIAIO INOX	6

SCALE 3:2



P/N 284223-5

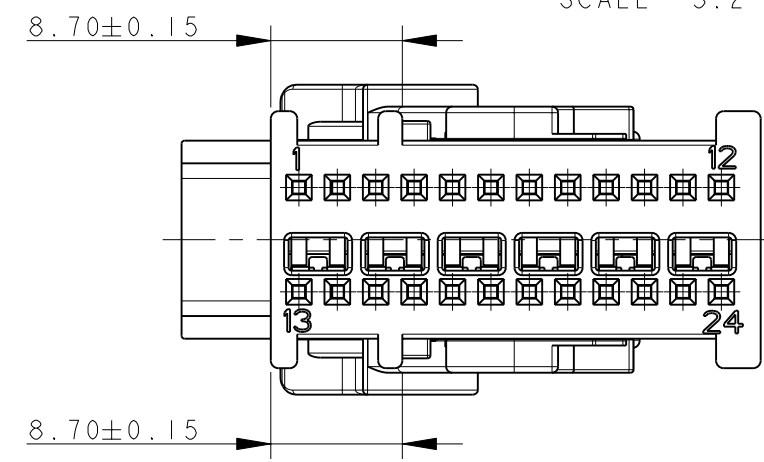
OPTIONAL AREA FOR MOLD EXTRACTORS



ITEM VOCE	DESCRIPTION DESCRIZIONE	MATERIAL MATERIALE	Q. TY Q. TA'
1	LEVER LEVA	PA 66 GF30 COLOR GREEN COLORE VERDE	1
2	COVER CORAZZA	PA 66 GF30 COLOR BROWN COLORE MARRONE	1
3	RECEPTACLE CONN. ASSEMBLY ASSEM. BLOCCHETTO PORTA FEMMINE	SEE TABLE BELOW VEDI TAVOLA SOTTO	1

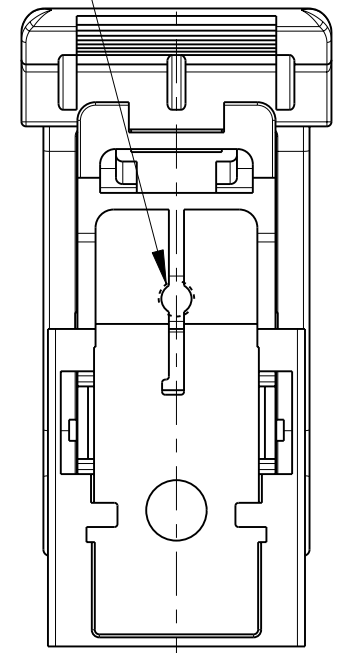
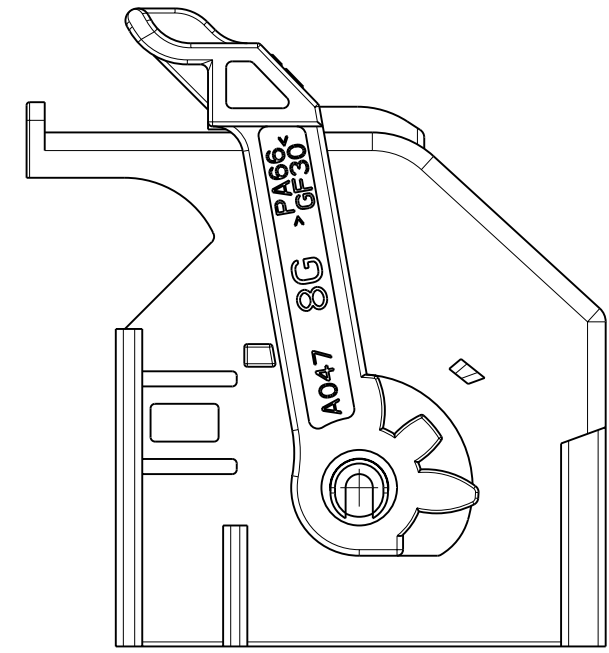
ITEM VOCE	SUB-ITEM SOTTO VOCE	DESCRIPTION DESCRIZIONE	MATERIAL MATERIALE	Q. TY Q. TA'
3	3-1	HOUSING BLOCCHETTO	PA 66 GF13 COLOR BROWN COLORE MARRONE	1
	3-2	SHORT CIRCUIT SPRING MOLLA DI CORTO CIRCUITO	STAINLESS STEEL ACCIAIO INOX	6

SCALE 3:2



P/N 1-284223-5

OPTIONAL AREA FOR MOLD EXTRACTORS



P/N 284223-5 AND 1-284223-5 KIT ASS'Y AS SHOWN
 P/N 284223-5 E 1-284223-5 KIT COME MOSTRATO

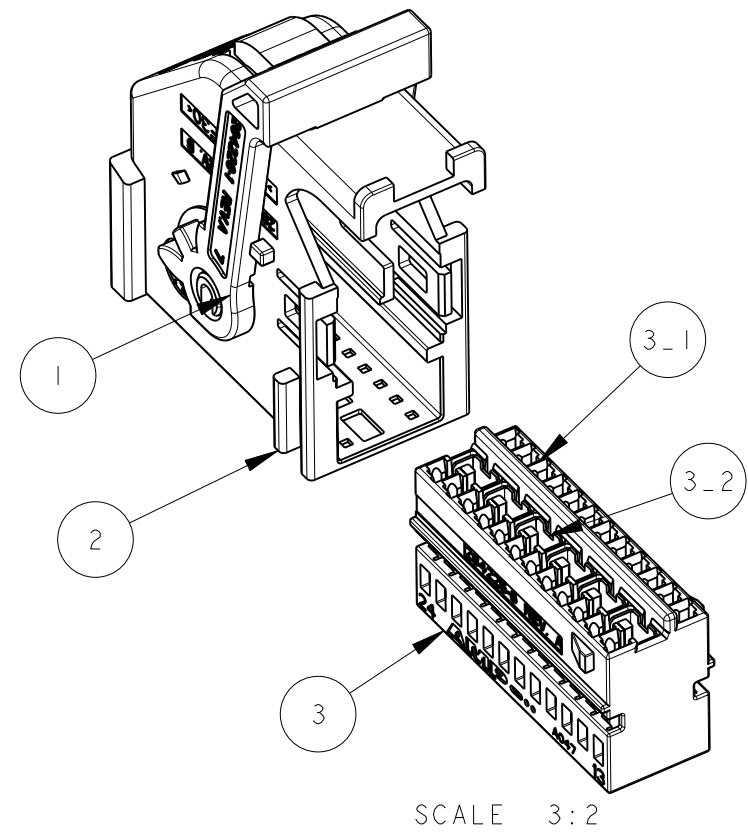
SUITABLE FOR MATING WITH:
 953621 PIN HEADER 24 + 24 POS. -CODE TYPE C-
 1379046 PIN HEADER 24 + 32 POS. -CODE TYPE C-
 1355737 PIN HEADER 24 + 32 POS. -KEY GEOMETRY AC_Ac-

(ADATTI PER ACCOPPIAMENTO CON
 953621 PIN HEADER 24 + 24 POS. -CODICE TIPO C-
 1379046 PIN HEADER 24 + 32 POS. -CODICE TIPO C-
 1355737 PIN HEADER 24 + 32 POS. -POLARIZZAZIONE GEOMETRICA AC_Ac-)

FOR MISSING DIMENSIONS AND NOTES SEE SHEET 1
 (PER LE DIMENSIONI MANCANTI E LE NOTE VEDERE FOGLIO 1)

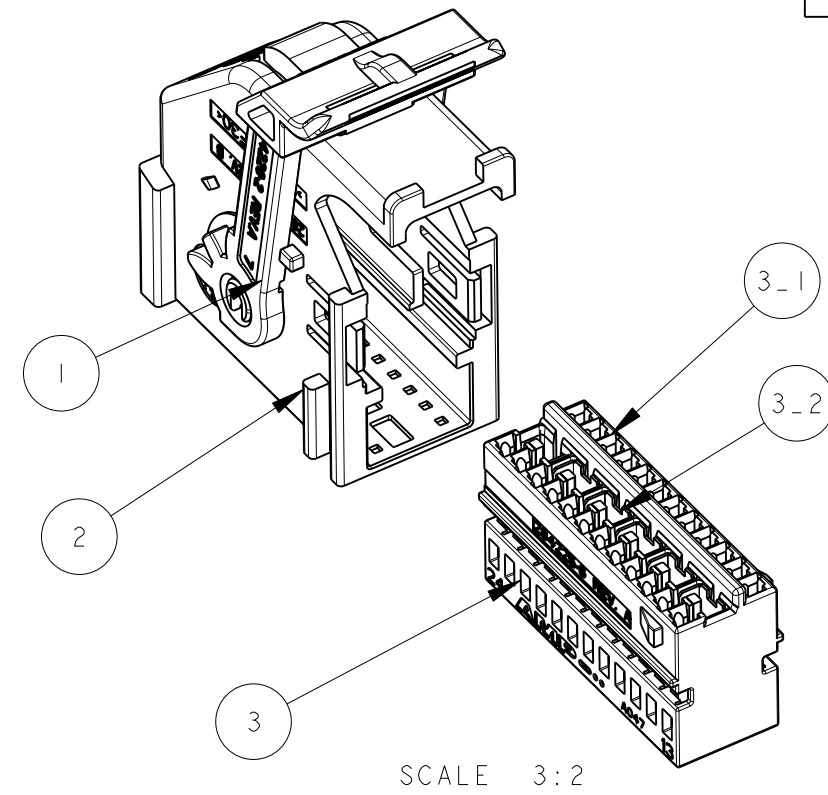
THIS DRAWING IS A CONTROLLED DOCUMENT.		DWN P. CASSANDRIN 30NOV98	 TE Connectivity	NAME 24 POSITIONS AIRBAG CONNECTOR KIT ASS'Y		
DIMENSIONS: mm		CHK A. GENTA 30NOV98				
TOLERANCES UNLESS OTHERWISE SPECIFIED:		APVD A. BRUNI 30NOV98				
0 PLC ±0.3 1 PLC ±0.2 2 PLC ±0.2 3 PLC ± 4 PLC ± ANGLES ±		PRODUCT SPEC 108-20202				
MATERIAL		APPLICATION SPEC I.S. 411-20054	SIZE	CAGE CODE	DRAWING NO	RESTRICTED TO
FINISH		WEIGHT	A260779	C-284223		
CUSTOMER DRAWING			SCALE 2:1	SHEET 4 OF 6	REV B4	

REVISONS		DATE	DWN	APVD
P	LTR	DESCRIPTION		
-		SEE SHEET 1	-	-



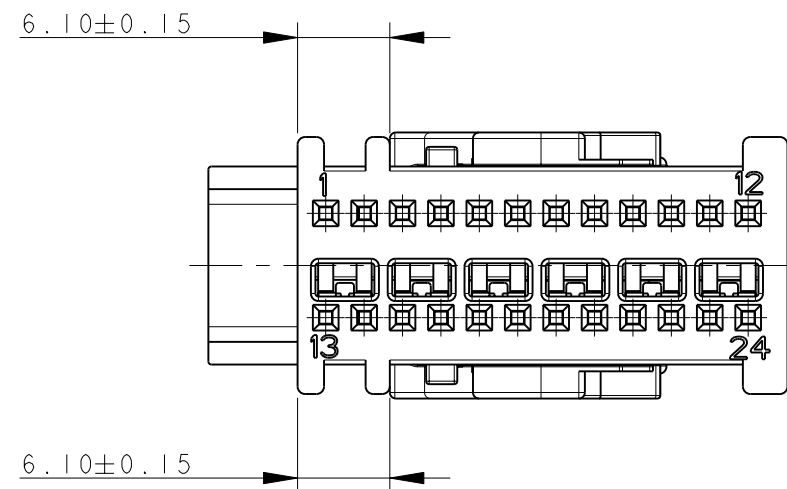
ITEM VOCE	DESCRIPTION DESCRIZIONE	MATERIAL MATERIALE	Q.TY Q.TA'
1	LEVER LEVA	PA 66 GF30 COLOR GREEN COLORE VERDE	1
2	COVER CORAZZA	PA 66 GF30 COLOR BLUE COLORE BLU	1
3	RECEPTACLE CONN. ASSEMBLY ASSEM. BLOCCHETTO PORTA FEMMINE	SEE TABLE BELOW VEDI TAVOLA SOTTO	1

ITEM VOCE	SUB-ITEM SOTTO VOCE	DESCRIPTION DESCRIZIONE	MATERIAL MATERIALE	Q.TY Q.TA'
3	3-1	HOUSING BLOCCHETTO	PA 66 GF13 COLOR BLUE COLORE BLU	1
	3-2	SHORT CIRCUIT SPRING MOLLA DI CORTO CIRCUITO	STAINLESS STEEL ACCIAIO INOX	6



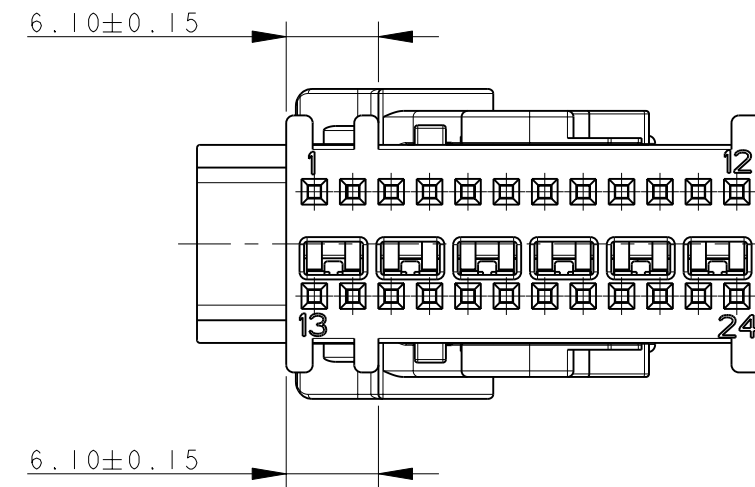
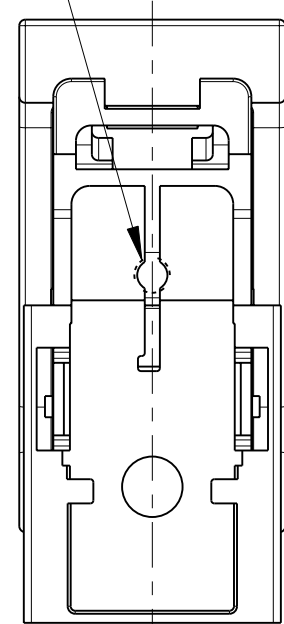
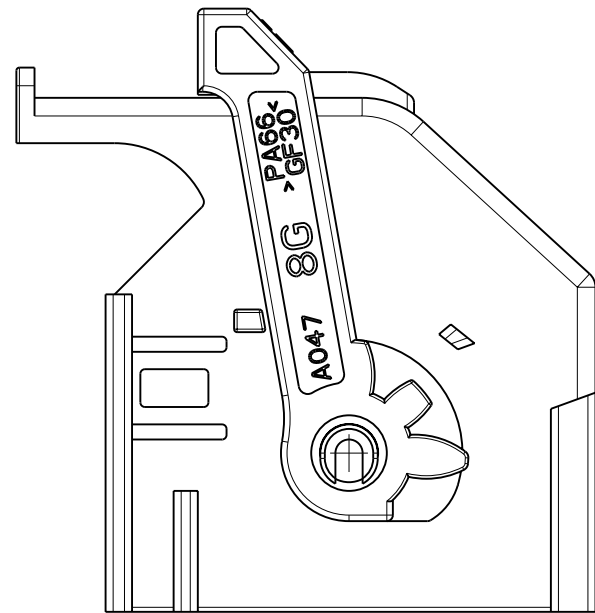
ITEM VOCE	DESCRIPTION DESCRIZIONE	MATERIAL MATERIALE	Q.TY Q.TA'
1	LEVER LEVA	PA 66 GF30 COLOR GREEN COLORE VERDE	1
2	COVER CORAZZA	PA 66 GF30 COLOR BLUE COLORE BLU	1
3	RECEPTACLE CONN. ASSEMBLY ASSEM. BLOCCHETTO PORTA FEMMINE	SEE TABLE BELOW VEDI TAVOLA SOTTO	1

ITEM VOCE	SUB-ITEM SOTTO VOCE	DESCRIPTION DESCRIZIONE	MATERIAL MATERIALE	Q.TY Q.TA'
3	3-1	HOUSING BLOCCHETTO	PA 66 GF13 COLOR BLUE COLORE BLU	1
	3-2	SHORT CIRCUIT SPRING MOLLA DI CORTO CIRCUITO	STAINLESS STEEL ACCIAIO INOX	6



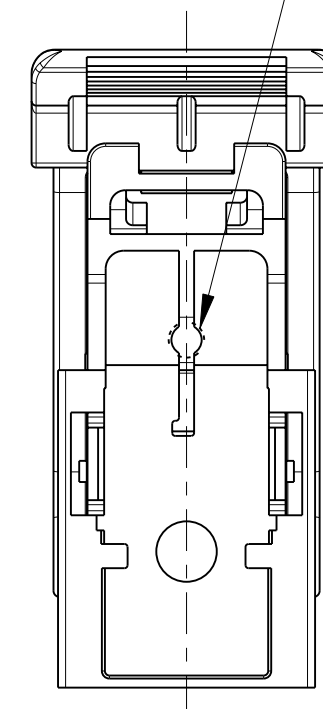
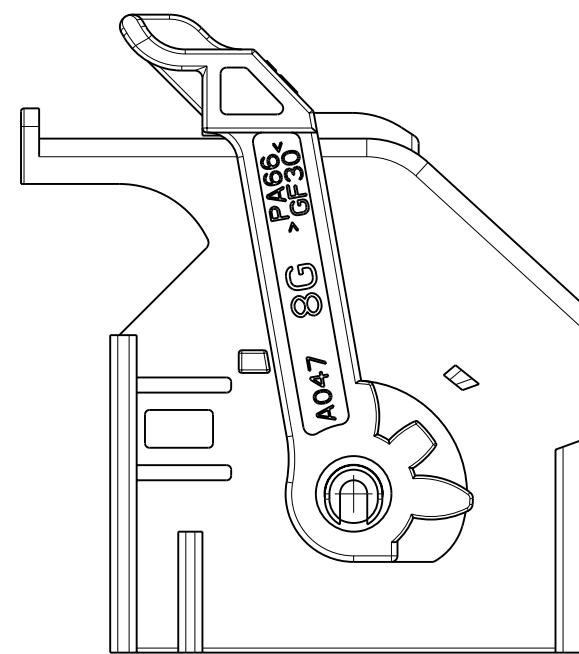
P/N 284223-6

OPTIONAL AREA FOR MOLD EXTRACTORS



P/N 1-284223-6

OPTIONAL AREA FOR MOLD EXTRACTORS



P/N 284223-6 AND 1-284223-6 KIT ASS'Y AS SHOWN
P/N 284223-6 E 1-284223-6 KIT COME MOSTRATO

SUITABLE FOR MATING WITH:
 953621 PIN HEADER 24 + 24 POS. -CODE TYPE D-
 1379046 PIN HEADER 24 + 32 POS. -CODE TYPE D-
 1355737 PIN HEADER 24 + 32 POS. -KEY GEOMETRY AD_Ad-

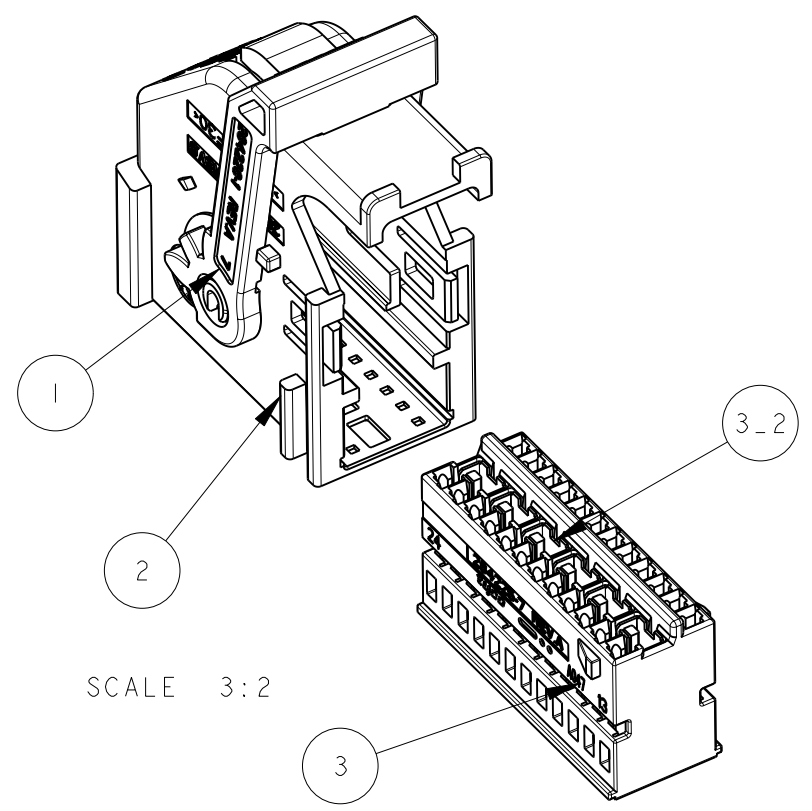
(ADATTI PER ACCOPPIAMENTO CON:
 953621 PIN HEADER 24 + 24 POS. -CODICE TIPO D-
 1379046 PIN HEADER 24 + 32 POS. -CODICE TIPO D-
 1355737 PIN HEADER 24 + 32 POS. -POLARIZZAZIONE GEOMETRICA AD_Ad-)

FOR MISSING DIMENSIONS AND NOTES SEE SHEET 1
 (PER LE DIMENSIONI MANCANTI E LE NOTE VEDERE FOGLIO 1)

THIS DRAWING IS A CONTROLLED DOCUMENT.		DWN P. CASSANDRIN 30NOV98	STE TE Connectivity	
DIMENSIONS: mm		CHK A. GENTA 30NOV98		
TOLERANCES UNLESS OTHERWISE SPECIFIED:		APVD A. BRUNI 30NOV98	NAME 24 POSITIONS AIRBAG CONNECTOR KIT ASS'Y	
0 PLC ±0.3		PRODUCT SPEC 108-20202	SIZE CAGE CODE DRAWING NO RESTRICTED TO	
1 PLC ±0.2		APPLICATION SPEC I.S. 411-20054	A20779 C-284223	
2 PLC ±0.2		WEIGHT -	SCALE 2:1 SHEET 5 OF 6 REV B4	
3 PLC ±		CUSTOMER DRAWING		
4 PLC ±				
ANGLES ±				
FINISH				

THIS DRAWING IS UNPUBLISHED. RELEASED FOR PUBLICATION 2011
 © COPYRIGHT 2011 Tyco Electronics AMP GmbH ALL RIGHTS RESERVED.

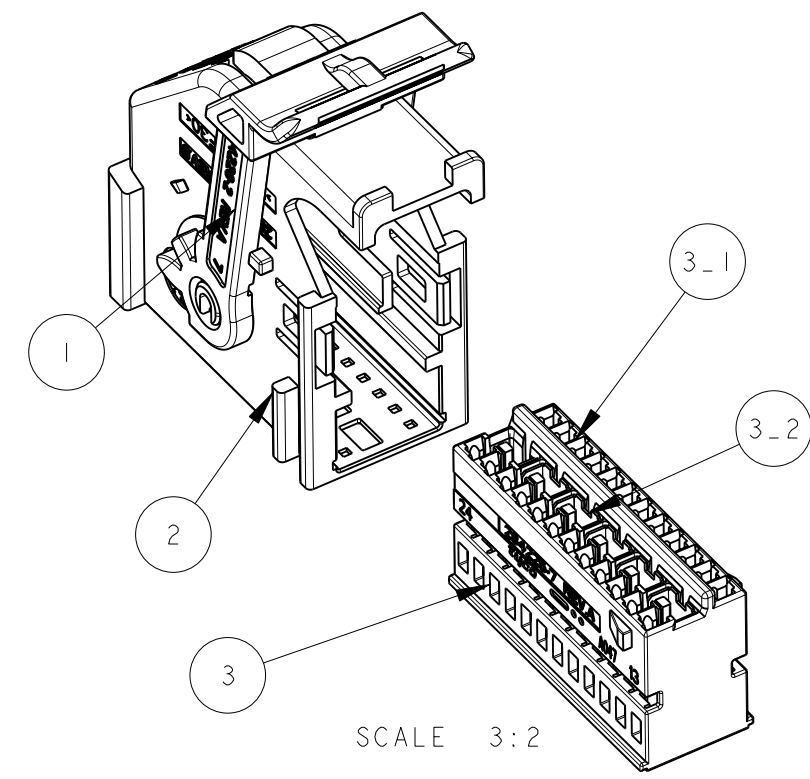
LOC	DIST	REVISIONS			
P	LTR	DESCRIPTION	DATE	DWN	APVD
-	-	SEE SHEET 1	-	-	-



ITEM VOCE	DESCRIPTION DESCRIZIONE	MATERIAL MATERIALE	Q.TY Q.TA'
1	LEVER LEVA	PA 66 GF30 COLOR GREEN COLORE VERDE	1
2	COVER CORAZZA	PA 66 GF30 COLOR WHITE COLORE BIANCO	1
3	RECEPTACLE CONN. ASSEMBLY ASSEM. BLOCCHETTO PORTA FEMMINE	SEE TABLE BELOW VEDI TAVOLA SOTTO	1

ITEM VOCE	SUB-ITEM SOTTO VOCE	DESCRIPTION DESCRIZIONE	MATERIAL MATERIALE	Q.TY Q.TA'
3	3-1	HOUSING BLOCCHETTO	PA 66 GF13 COLOR WHITE COLORE BIANCO	1
	3-2	SHORT CIRCUIT SPRING MOLLA DI CORTO CIRCUITO	STAINLESS STEEL ACCIAIO INOX	6

SCALE 3:2



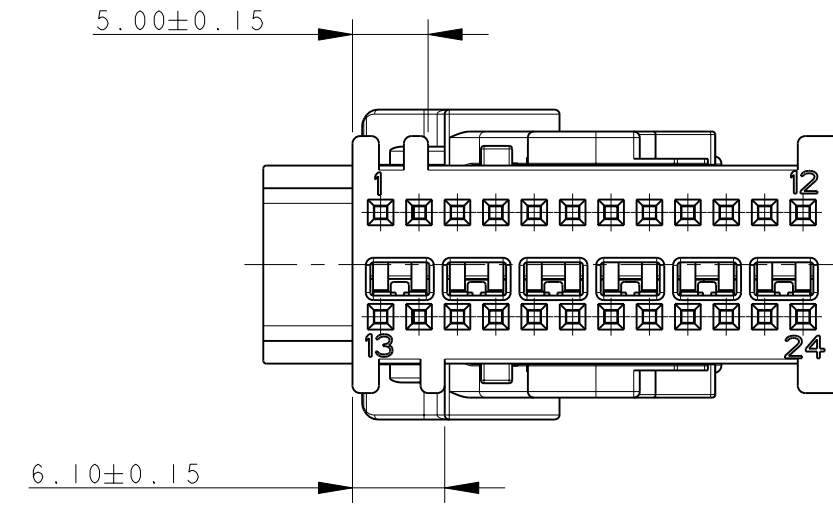
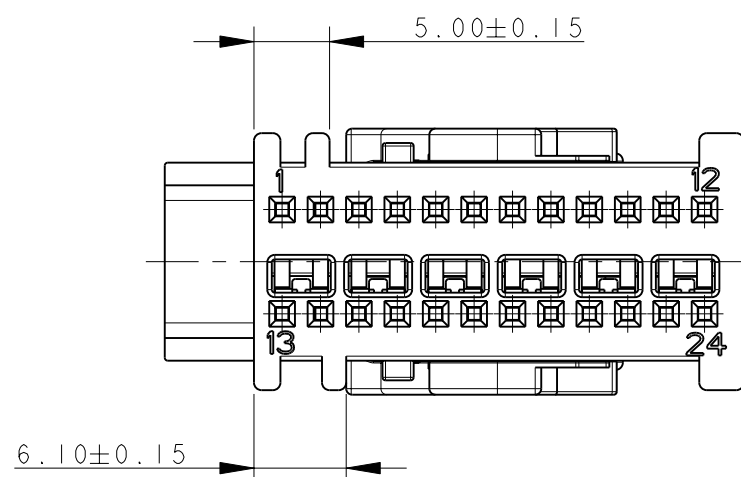
ITEM VOCE	DESCRIPTION DESCRIZIONE	MATERIAL MATERIALE	Q.TY Q.TA'
1	LEVER LEVA	PA 66 GF30 COLOR GREEN COLORE VERDE	1
2	COVER CORAZZA	PA 66 GF30 COLOR WHITE COLORE BIANCO	1
3	RECEPTACLE CONN. ASSEMBLY ASSEM. BLOCCHETTO PORTA FEMMINE	SEE TABLE BELOW VEDI TAVOLA SOTTO	1

ITEM VOCE	SUB-ITEM SOTTO VOCE	DESCRIPTION DESCRIZIONE	MATERIAL MATERIALE	Q.TY Q.TA'
3	3-1	HOUSING BLOCCHETTO	PA 66 GF13 COLOR WHITE COLORE BIANCO	1
	3-2	SHORT CIRCUIT SPRING MOLLA DI CORTO CIRCUITO	STAINLESS STEEL ACCIAIO INOX	6

SCALE 3:2

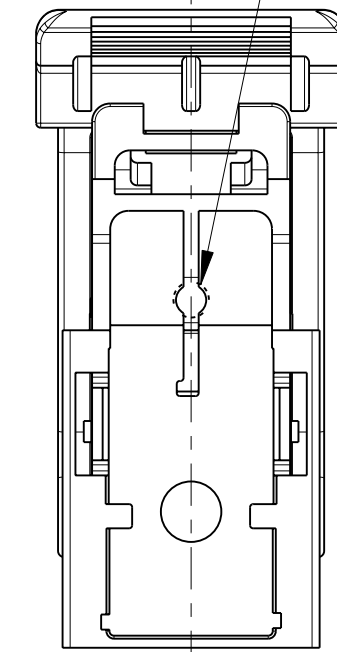
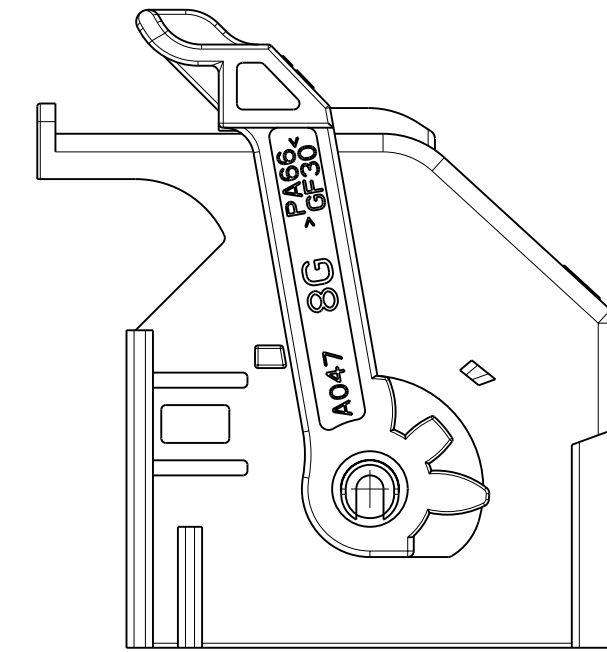
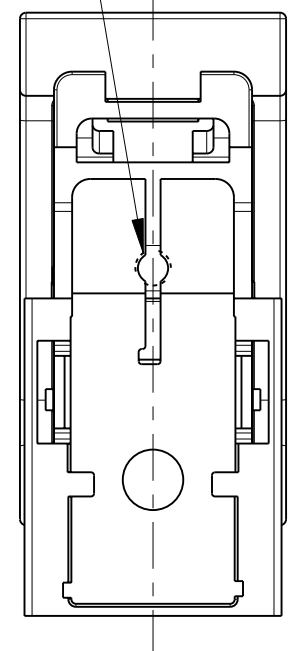
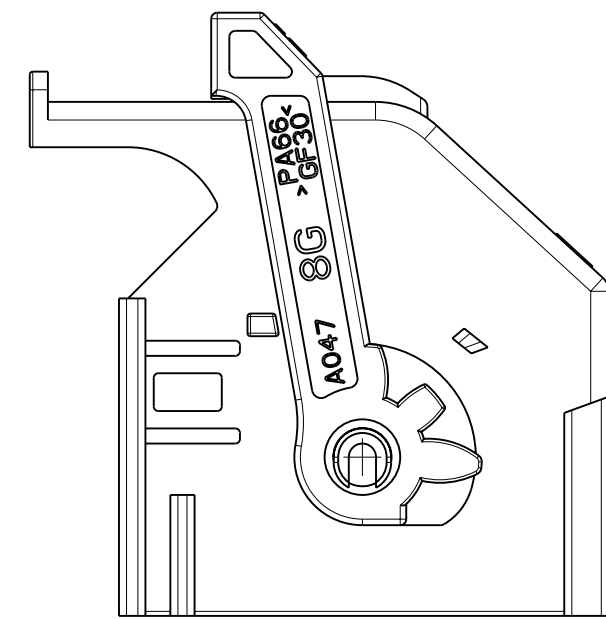
P/N 284223-7

P/N 1-284223-7



OPTIONAL AREA FOR MOLD EXTRACTORS

OPTIONAL AREA FOR MOLD EXTRACTORS



P/N 284223-7 AND 1-284223-7 KIT ASS'Y AS SHOWN
 P/N 284223-7 E 1-284223-7 KIT COME MOSTRATO

SUITABLE FOR MATING WITH:
 1355737 PIN HEADER 24 + 32 POS. -KEY GEOMETRY AD_Ab-

(ADATTI PER ACCOPPIAMENTO CON:
 1355737 PIN HEADER 24 + 32 POS. -POLARIZZAZIONE GEOMETRICA AD_Ab-)

FOR MISSING DIMENSIONS AND NOTES SEE SHEET 1
 (PER LE DIMENSIONI MANCANTI E LE NOTE VEDERE FOGLIO 1)

THIS DRAWING IS A CONTROLLED DOCUMENT.		DWN P. CASSANDRIN 30NOV98	TE Connectivity	
DIMENSIONS: mm		CHK A. GENTA 30NOV98		
TOLERANCES UNLESS OTHERWISE SPECIFIED:		APVD A. BRUNI 30NOV98	NAME 24 POSITIONS AIRBAG CONNECTOR KIT ASS'Y	
0 PLC ±0.3		PRODUCT SPEC 108-20202	SIZE CAGE CODE DRAWING NO RESTRICTED TO	
1 PLC ±0.2		APPLICATION SPEC I.S. 411-20054	A200779C-284223	
2 PLC ±0.2		WEIGHT -	SCALE 2:1 SHEET 6 OF 6 REV B4	
3 PLC ±		CUSTOMER DRAWING		
4 PLC ±				
ANGLES ±				
FINISH				

Данный компонент на территории Российской Федерации

Вы можете приобрести в компании MosChip.

Для оперативного оформления запроса Вам необходимо перейти по данной ссылке:

<http://moschip.ru/get-element>

Вы можете разместить у нас заказ для любого Вашего проекта, будь то серийное производство или разработка единичного прибора.

В нашем ассортименте представлены ведущие мировые производители активных и пассивных электронных компонентов.

Нашей специализацией является поставка электронной компонентной базы двойного назначения, продукции таких производителей как XILINX, Intel (ex.ALTERA), Vicor, Microchip, Texas Instruments, Analog Devices, Mini-Circuits, Amphenol, Glenair.

Сотрудничество с глобальными дистрибьюторами электронных компонентов, предоставляет возможность заказывать и получать с международных складов практически любой перечень компонентов в оптимальные для Вас сроки.

На всех этапах разработки и производства наши партнеры могут получить квалифицированную поддержку опытных инженеров.

Система менеджмента качества компании отвечает требованиям в соответствии с ГОСТ Р ИСО 9001, ГОСТ РВ 0015-002 и ЭС РД 009

Офис по работе с юридическими лицами:

105318, г.Москва, ул.Щербаковская д.3, офис 1107, 1118, ДЦ «Щербаковский»

Телефон: +7 495 668-12-70 (многоканальный)

Факс: +7 495 668-12-70 (доб.304)

E-mail: info@moschip.ru

Skype отдела продаж:

moschip.ru

moschip.ru_4

moschip.ru_6

moschip.ru_9