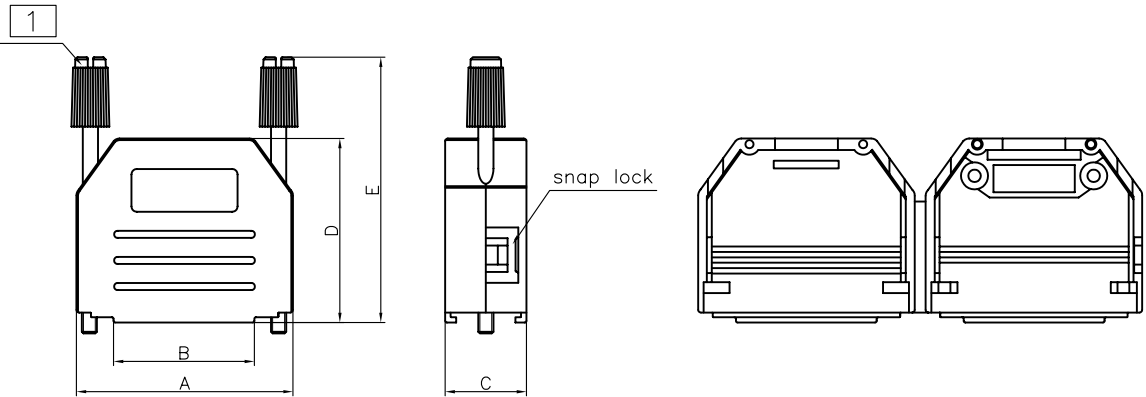


This document is the property of Amphenol Corporation and is delivered on the express condition that it is not to be disclosed, reproduced or used, in whole or in part, for manufacture or sale by anyone other than Amphenol Corporation without its prior consent, & that no right is granted to disclose or to use any information in this document.

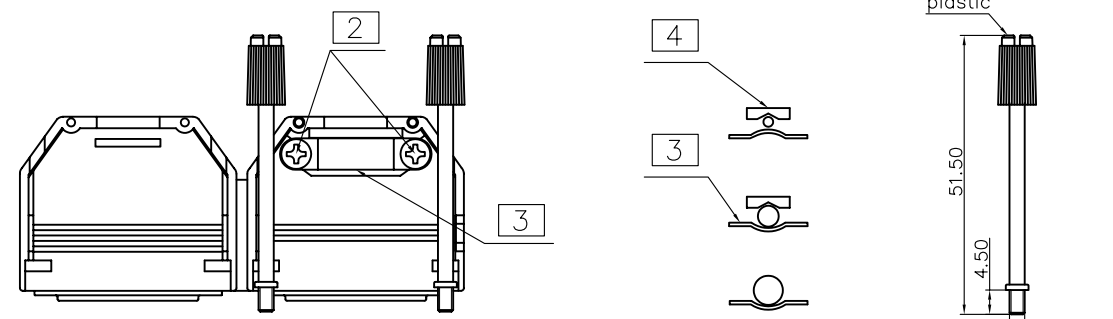


15 pos.

Drawing for sub-assembly
L17DPPK15JS

15 pos.

Plastic shell



15 pos.

Drawing for side
L17DPPK15JS

VARIANT OF CABLE
STRAIN RELIEF

1
thumb
screw

Customer drawing

Commercial Part Number	Dimension				
	A	B	C	D	E
L 17D PPK 09 JS	31.5	18	15	34	49
L 17D PPK 15 JS	40	26	15	34	49
L 17D PPK 25 JS	53.5	28	15	40	49
L 17D PPK 37 JS	71	55	16	40	49



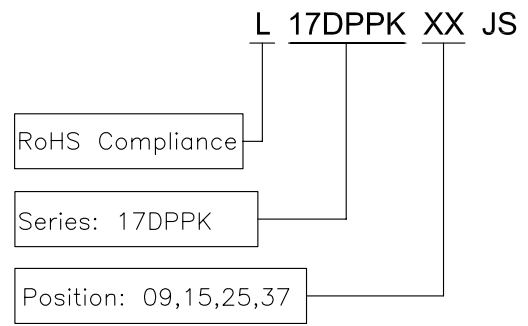
REVISIONS				
SYM	ECN	DESCRIPTION	DATE	APPROVED
A	HK4729	Release new drawing	10/19/07	IP

D-SUB TECHNICAL DATA

Material and finish:

- Shell: Thermoplastic, UL94-V0 color black
- Thumb screws: Steel shaft with plastic knob, blue chromate plated
- Screws: Steel, blue chromate plated, Philips head
- Strain relief: Steel, blue chromate plated cable clamp with self-tapping screws
- Cover: Thermoplastic, UL94-V0 colour black
- Temperature range: -40°C to 120°C
- Attenuation factor: >40 dB between 30 MHz and 1 GHz

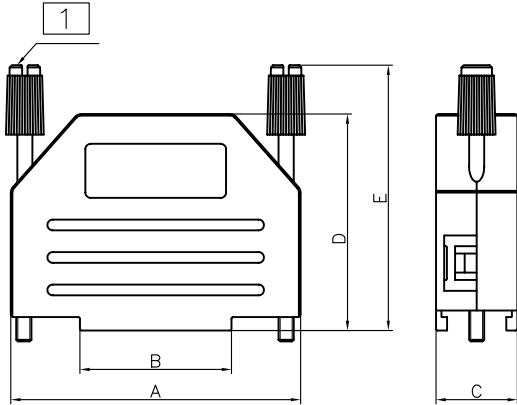
PRODUCT CODE



UNLESS OTHERWISE SPECIFIED TOLERANCES		APPROVAL		DATE
	U.S.	METRIC	DRAWN	Lisa peng 10/17/07
.X +/-		0.50	CHECKED	lik.wang 10/17/07
.XX +/-		0.30	CHECKED	
.XXX +/-		0.20		
FRACTIONS +/-		5'		
ANGLES +/-				
FOR MATERIALS AND FINISHES SEE NOTES		DRAWING FILE : \\drawing\Draw\CL17DPPKXXJS		
REMOVE SHARP EDGES		ANGLE OF PROJECTION		
DIMENSIONS				
U.S.	INCHES			
METRIC	MM			

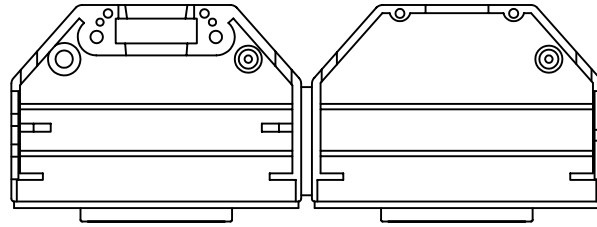
Amphenol		
TITLE Hood, DPPK Series		
SIZE	DRAWING NO.	REV.
A4	C L17D PPK XXJS	A
SCALE	NONE	SHEET 1 OF 3

This document is the property of Amphenol Corporation and is delivered on the express condition that it is not to be disclosed, reproduced or used, in whole or in part, for manufacture or sale by anyone other than Amphenol Corporation without its prior consent, & that no right is granted to disclose or to use any information in this document.



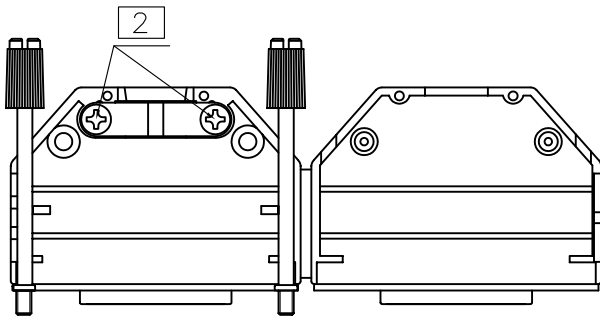
25 pos.

Drawing for sub-assembly
L17DPPK25JS



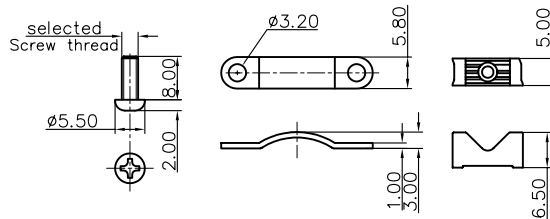
25 pos.

Plastic shell



25 pos.

Drawing for side
L17DPPK25JS



2
Screw

3
Strain relief

4
Cover

Customer drawing

Commercial Part Number	Dimension				
	A	B	C	D	E
L 17D PPK 09 JS	31.5	18	15	34	49
L 17D PPK 15 JS	40	26	15	34	49
L 17D PPK 25 JS	53.5	28	15	40	49
L 17D PPK 37 JS	71	55	16	40	49



REVISIONS				
SYM	ECN	DESCRIPTION	DATE	APPROVED
A	HK4729	Release new drawing	10/19/07	IP

D-SUB TECHNICAL DATA

Material and finish:

Shell: Thermoplastic, UL94-V0 color black

Thumb screws: Steel shaft with plastic knob, blue chromate plated

Screws: Steel, blue chromate plated, Philips head

Strain relief: Steel, blue chromate plated cable clamp with self-tapping screws

Cover: Thermoplastic, UL94-V0 colour black

Temperature range: -40°C to 120°C

Attenuation factor: >40 dB between 30 MHz and 1 GHz

PRODUCT CODE

L 17DPPK XX JS

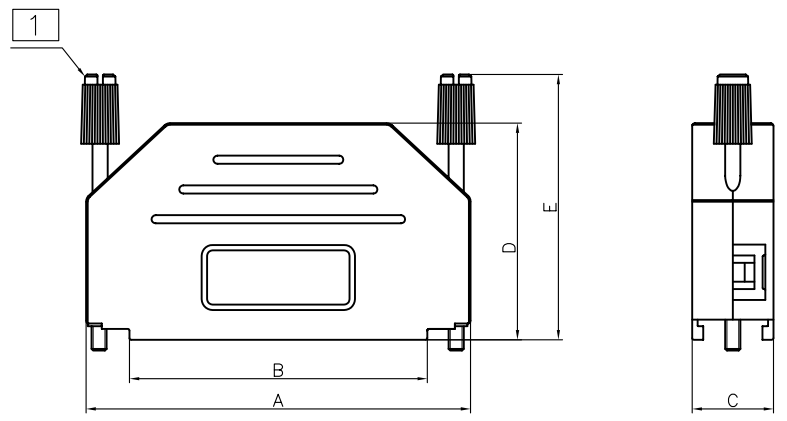
RoHS Compliance

Series: 17DPPK

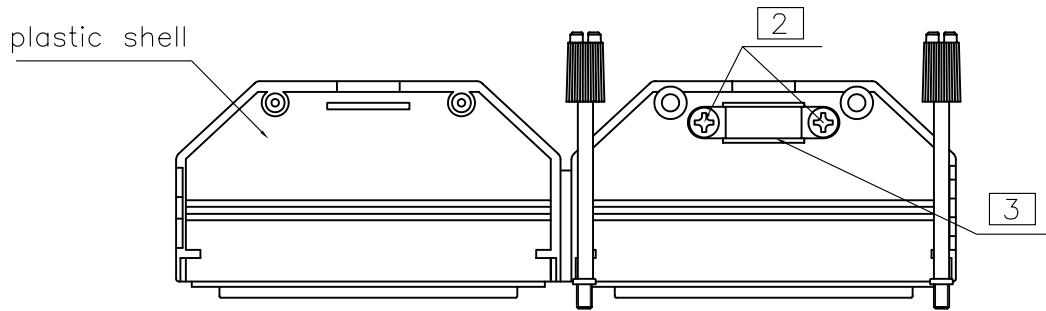
Position: 09,15,25,37

UNLESS OTHERWISE SPECIFIED TOLERANCES		APPROVAL		DATE
U.S.	METRIC	DRAWN	Issa.peng	10/17/07
.X +/-	0.50	CHECKED	lik.wang	10/17/07
.XX +/-	0.30	CHECKED		
.XXX +/-	0.20			
FRACTIONS +/-				
ANGLES +/-	5°			
FOR MATERIALS AND FINISHES SEE NOTES		DRAWING FILE : Drawing\Draw\CL17DPPKXXJS		
REMOVE SHARP EDGES		ANGLE OF PROJECTION		
DIMENSIONS				
U.S.	INCHES			
METRIC	MM			
TITLE		Amphenol		
Hood, DPPK Series		SIZE DRAWING NO. A4 C L17D PPK XXJS		
SCALE NONE		SHEET 2 OF 3		

This document is the property of Amphenol Corporation and is delivered on the express condition that it is not to be disclosed, reproduced or used, in whole or in part, for manufacture or sale by anyone other than Amphenol Corporation without its prior consent, & that no right is granted to disclose or to use any information in this document.



09/37 pos.
Drawing for sub-assembly
L17DPPK09JS/L17DPPK37JS



09/37 pos.
Drawing for side
L17DPPK09JS/L17DPPK37JS

Customer drawing

Commercial Part Number	Dimension				
	A	B	C	D	E
L 17D PPK 09 JS	31.5	18	15	34	49
L 17D PPK 15 JS	40	26	15	34	49
L 17D PPK 25 JS	53.5	28	15	40	49
L 17D PPK 37 JS	71	55	16	40	49

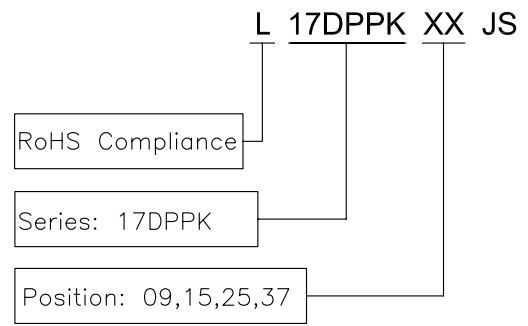


REVISIONS				
SYM	ECN	DESCRIPTION	DATE	APPROVED
A	HK4729	Release new drawing	10/19/07	IP

D-SUB TECHNICAL DATA

Material and finish:
 Shell: Thermoplastic, UL94-V0 color black
 Thumb screws: Steel shaft with plastic knob, blue chromate plated
 Screws: Steel, blue chromate plated, Philips head
 Strain relief: Steel, blue chromate plated cable clamp with self-tapping screws
 Cover: Thermoplastic, UL94-V0 colour black
 Temperature range: -40°C to 120°C
 Attenuation factor: >40 dB between 30 MHz and 1 GHz

PRODUCT CODE



UNLESS OTHERWISE SPECIFIED TOLERANCES		APPROVAL		DATE
	U.S.	METRIC	DRAWN	Lisa.peng 10/17/07
.X +/-		0.50	CHECKED	lik.wang 10/17/07
.XX +/-		0.30	CHECKED	
.XXX +/-		0.20		
FRACTIONS +/-		5"		
ANGLES +/-				
FOR MATERIALS AND FINISHES SEE NOTES		DRAWING FILE : \drawing\Draw\CL17DPPKXXJS		
REMOVE SHARP EDGES		ANGLE OF PROJECTION		
DIMENSIONS				
U.S.	INCHES			
METRIC	MM			

Amphenol		
TITLE Hood, DPPK Series		
SIZE	DRAWING NO.	REV.
A4	C L17D PPK XXJS	A
SCALE	NONE	SHEET 3 OF 3

Данный компонент на территории Российской Федерации

Вы можете приобрести в компании MosChip.

Для оперативного оформления запроса Вам необходимо перейти по данной ссылке:

<http://moschip.ru/get-element>

Вы можете разместить у нас заказ для любого Вашего проекта, будь то серийное производство или разработка единичного прибора.

В нашем ассортименте представлены ведущие мировые производители активных и пассивных электронных компонентов.

Нашей специализацией является поставка электронной компонентной базы двойного назначения, продукции таких производителей как XILINX, Intel (ex.ALTERA), Vicor, Microchip, Texas Instruments, Analog Devices, Mini-Circuits, Amphenol, Glenair.

Сотрудничество с глобальными дистрибьюторами электронных компонентов, предоставляет возможность заказывать и получать с международных складов практически любой перечень компонентов в оптимальные для Вас сроки.

На всех этапах разработки и производства наши партнеры могут получить квалифицированную поддержку опытных инженеров.

Система менеджмента качества компании отвечает требованиям в соответствии с ГОСТ Р ИСО 9001, ГОСТ РВ 0015-002 и ЭС РД 009

Офис по работе с юридическими лицами:

105318, г.Москва, ул.Щербаковская д.3, офис 1107, 1118, ДЦ «Щербаковский»

Телефон: +7 495 668-12-70 (многоканальный)

Факс: +7 495 668-12-70 (доб.304)

E-mail: info@moschip.ru

Skype отдела продаж:

moschip.ru

moschip.ru_4

moschip.ru_6

moschip.ru_9