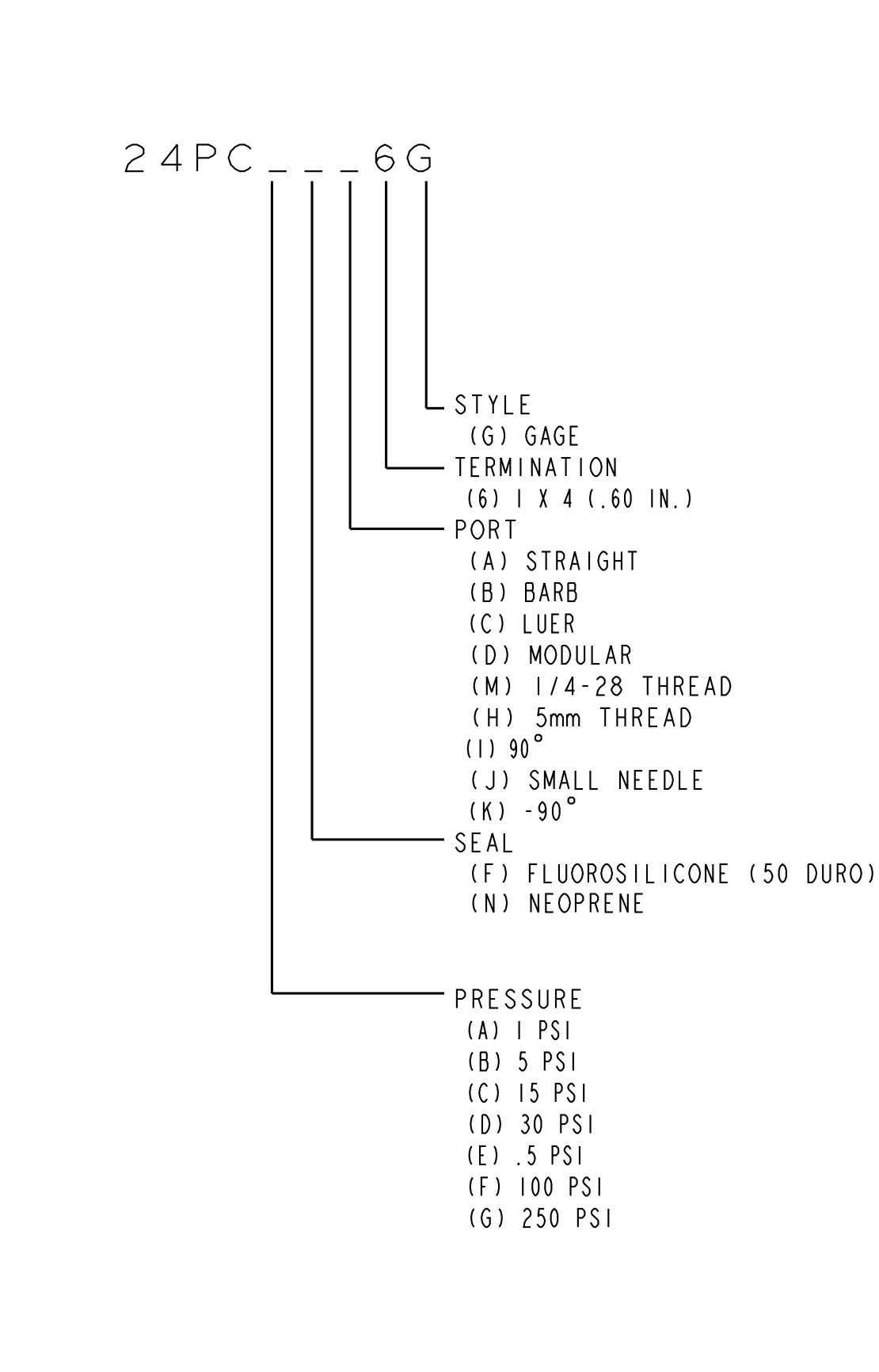
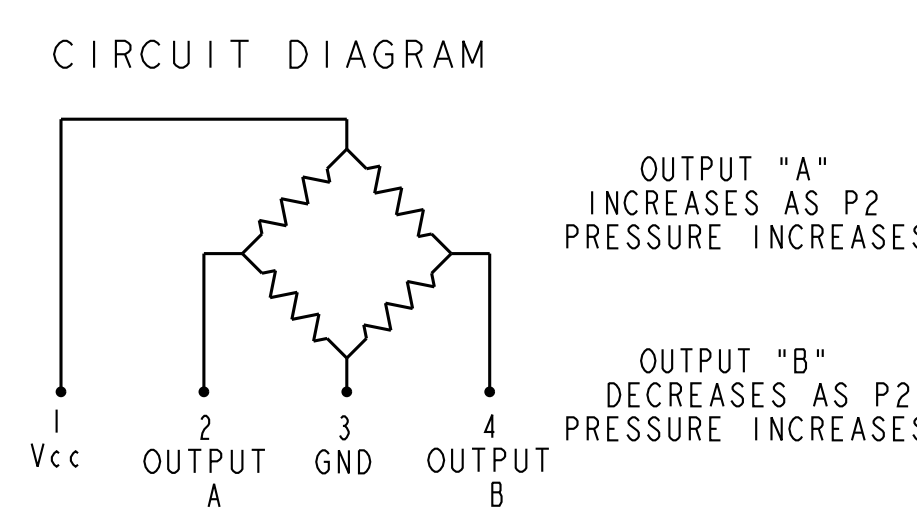
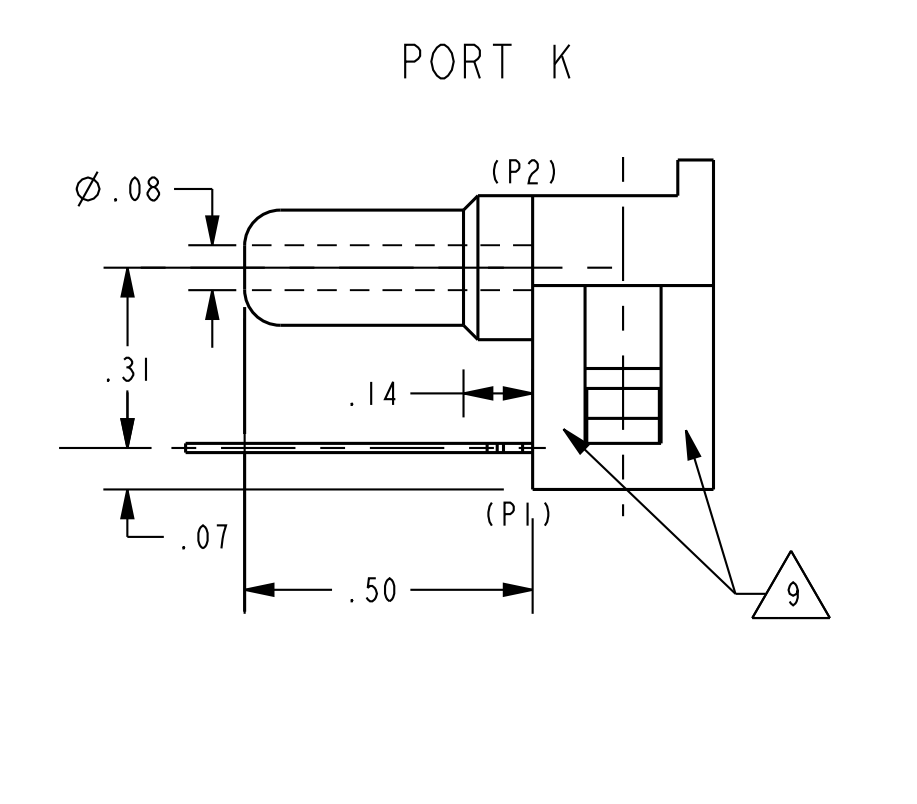


| CATALOG LISTING | BRAND DESIGNATION |
|-----------------|-------------------|
| 24PCFFH6G | 4FF6G |
| 24PCEFH6G | 4EF6G |
| 24PCCFH6G | 4CF6G |
| 24PCEFA6G | 4EF6G |
| 24PCFA6G | 4AF6G |
| 24PCFA6G | 4BF6G |
| 24PCBFA6G | 4BF6G |
| 24PCBFD6G | 4BF6G |
| 24PCBFH6G | 4BF6G |
| 24PCCFA6G | 4CF6G |
| 24PCDFA6G | 4DF6G |
| 24PCFFA6G | 4FF6G |
| 24PCEFD6G | 4EF6G |
| 24PCAFD6G | 4AF6G |
| 24PCAFB6G | 4AF6G |
| 24PCBFB6G | 4BF6G |
| 24PCCFB6G | 4CF6G |
| 24PCCFD6G | 4CF6G |
| 24PCDFB6G | 4DF6G |
| 24PCDFC6G | 4DF6G |
| 24PCDND6G | 4DN6G |
| 24PCFFB6G | 4FF6G |
| 24PCFFC6G | 4FF6G |
| 24PCFFD6G | 4FF6G |
| 24PCFFM6G | 4FF6G |
| 24PCFND6G | 4FN6G |
| 24PCGFA6G | 4GF6G |
| 24PCGFB6G | 4GF6G |
| 24PCGFH6G | 4GF6G |
| 24PCGM6G | 4GF6G |
| 24PCGND6G | 4GN6G |
| 24PCGNH6G | 4GN6G |
| 24PCEFJ6G | 4EF6G |
| 24PCAND6G | 4AN6G |
| 24PCBND6G | 4BN6G |
| 24PCDFD6G | 4DF6G |
| 24PCAFH6G | 4AF6G |
| 24PCEFM6G | 4EF6G |
| 24PCCFM6G | 4CF6G |
| 24PCAFJ6G | 4AF6G |
| 24PCDFH6G | 4DF6G |



| GENERAL OPERATING CHARACTERISTICS (ELECTRICAL PERFORMANCE AT 10.00±0.01 VDC EXCITATION, 25°C) | | | | | |
|--|-----------------------|----------------------------------|------|------|-------|
| PARAMETERS | PRESSURE RANGES (PSI) | MIN | TYP | MAX | UNITS |
| NULL OFFSET | ALL | -30 | 0 | +30 | mV |
| NULL SHIFT Δ 0° TO 25°C OR 25° TO 50°C | | | ±1.0 | | |
| SPAN Δ P2 > P1 | 0 TO .5 G | 25 | 35 | 45 | %SPAN |
| | 0 TO 1 G | 30 | 45 | 60 | |
| | 0 TO 5 G | 85 | 115 | 145 | |
| | 0 TO 15 G | 165 | 225 | 285 | |
| | 0 TO 30 G | 240 | 330 | 420 | |
| | 0 TO 100 G | 156 | 225 | 294 | |
| SENSITIVITY SHIFT Δ 0° TO 25°C OR 25° TO 50°C P2 > P1 AT 10 VDC AT 2 mA | ALL | | ±5.0 | | %SPAN |
| | | | | | |
| LINEARITY P2 > P1 (BFSL) P1 > P2 | ALL | | .2 | 1.0 | |
| REPEATABILITY & HYSTERESIS | | | ±.5 | | |
| STABILITY OVER 1 YEAR EXCITATION VOLTAGE | ALL | | ±1.5 | | |
| INPUT RESISTANCE | | 4.0K | 5.0K | 6.0K | OHMS |
| OUTPUT RESISTANCE | | 4.0K | 5.0K | 6.0K | OHMS |
| (P1 > P2) (P2 > P1) OVERPRESSURE AT 25°C | 0 TO .5 G | | | 20 | PSI |
| | 0 TO 1 G | | | 20 | |
| | 0 TO 5 G | | | 20 | |
| | 0 TO 15 G | | | 45 | |
| | 0 TO 30 G | | | 60 | |
| | 0 TO 100 G | | | 200 | |
| TEMPERATURE STORAGE OPERATE | ALL | -55° TO +100°C (-67°F TO +212°F) | | | |
| | | -40° TO +85°C (-40°F TO +185°F) | | | |



NOTES

- SPAN IS THE ALGEBRAIC DIFFERENCE BETWEEN END POINTS (OUTPUT AT MINIMUM AND MAXIMUM PRESSURE)
- TEMPERATURE ERROR IS CALCULATED WITH RESPECT TO 25°C AND EXPRESSES THE DEVIATION THAT COULD OCCUR AS TEMPERATURE IS RAISED OR LOWERED TO LIMITS INDICATED
- INPUT MEDIA LIMITED ONLY TO THOSE MATERIALS THAT WILL NOT ATTACK POLYESTER, SILICON, BUNA-N OR FLUROSILICONE
- TERMINALS ARE PLATED FOR SOLDERING
- LIMIT SOLDERING TO 315° FOR 10 SECONDS MAX
- PIN 1 IS IDENTIFIED BY NOTCH IN LEAD
- M5 THREADED PRODUCT: RECOMMENDED TORQUE FOR SEALING: 4 IN-LBS DO NOT EXCEED 6 IN-LBS OF TORQUE
- SIZE 007 O-RING O-RING COUNTERBORE DIMENSIONS: ϕ .300±.003 X ∇ .040

1/4-28 UNF THREADED PRODUCT: RECOMMENDED TORQUE FOR SEALING: 8 IN-LBS DO NOT EXCEED 12 IN-LBS OF TORQUE

SIZE 009 O-RING O-RING COUNTERBORE DIMENSIONS: ϕ .360±.003 X ∇ .040±.002

BRAND 5 DIGIT LISTING AND 6 DIGIT DATE CODE (YYYYWW). ALTERNATE FORMAT OF CATALOG LISTING BRAND IS THE ENTIRE CATALOG LISTING

| METRIC | INCHES |
|--------|--------|
| 0.41 | .016 |
| 0.51 | .020 |
| 1.02 | .040 |
| 1.3 | .05 |
| 1.8 | .07 |
| 2.0 | .08 |
| 2.3 | .09 |
| 2.5 | .10 |
| 3.6 | .14 |
| 5.1 | .20 |
| 6.4 | .25 |
| 7.9 | .31 |
| 8.9 | .35 |
| 12.7 | .50 |
| 15.3 | .60 |
| 18.8 | .74 |
| 20.4 | .80 |
| 21.6 | .85 |
| 21.8 | .86 |
| 22.1 | .87 |
| 23.9 | .94 |

THIRD ANGLE PROJECTION

SCALE 3 : 1

DO NOT SCALE PRINT

UNLESS OTHERWISE SPECIFIED TOLERANCES ARE

ONE PLACE (.0) +.030

TWO PLACE (.00) +.015

THREE PLACE (.000) +.005

ANGLES +

WEIGHT 2 OZ.

THIS DRAWING COVERS A PROPRIETARY ITEM AND IS THE PROPERTY OF MICRO SWITCH, A DIVISION OF HONEYWELL. THIS DRAWING IS NOT TO BE COPIED OR USED WITHOUT THE APPROVAL OF MICRO SWITCH.

FED. MFG. CODE 91929

MICRO SWITCH
a Honeywell Division

BRIDGE PRESSURE SENSOR

CATALOG LISTING

24PC SERIES CHART 5

Данный компонент на территории Российской Федерации

Вы можете приобрести в компании MosChip.

Для оперативного оформления запроса Вам необходимо перейти по данной ссылке:

<http://moschip.ru/get-element>

Вы можете разместить у нас заказ для любого Вашего проекта, будь то серийное производство или разработка единичного прибора.

В нашем ассортименте представлены ведущие мировые производители активных и пассивных электронных компонентов.

Нашей специализацией является поставка электронной компонентной базы двойного назначения, продукции таких производителей как XILINX, Intel (ex.ALTERA), Vicor, Microchip, Texas Instruments, Analog Devices, Mini-Circuits, Amphenol, Glenair.

Сотрудничество с глобальными дистрибьюторами электронных компонентов, предоставляет возможность заказывать и получать с международных складов практически любой перечень компонентов в оптимальные для Вас сроки.

На всех этапах разработки и производства наши партнеры могут получить квалифицированную поддержку опытных инженеров.

Система менеджмента качества компании отвечает требованиям в соответствии с ГОСТ Р ИСО 9001, ГОСТ РВ 0015-002 и ЭС РД 009

Офис по работе с юридическими лицами:

105318, г.Москва, ул.Щербаковская д.3, офис 1107, 1118, ДЦ «Щербаковский»

Телефон: +7 495 668-12-70 (многоканальный)

Факс: +7 495 668-12-70 (доб.304)

E-mail: info@moschip.ru

Skype отдела продаж:

moschip.ru

moschip.ru_4

moschip.ru_6

moschip.ru_9