

Features

3.160GHz-3.380GHz

Standard 3 Wire Interface

Small layout 0.582" × 0.8"



Applications

Digital Radio Equipment
Fixed Wireless Access
Satellite Communications Systems
Base Stations
Personal Communications Systems
Portable Radios
Test Instruments
Wireless Infrastructure

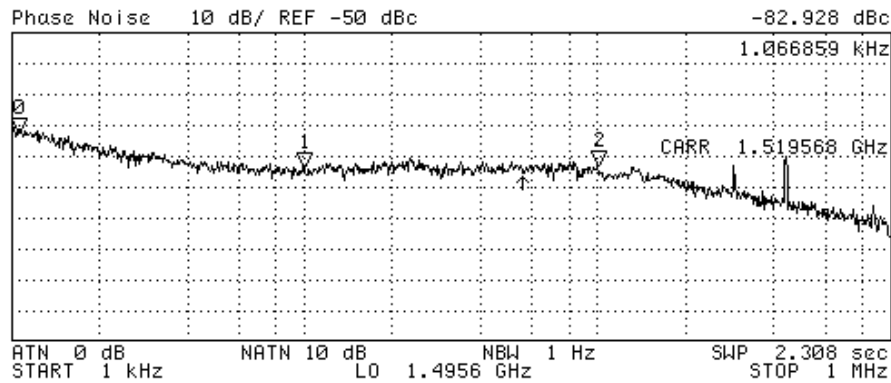
The CPLL58 is a complete PLL/Synthesizer needing only an external frequency reference and supply voltages for the internal PLL (phase lock loop) and VCO (voltage controlled oscillator). The Crystek CPLL58 is programmed using a standard three line interface (Data, Clock and Load Enable).

The CPLL58 family has been initially released to cover 1GHz to 5GHz in bands. It is housed in a compact 0.582-in. × 0.8-in. × 0.15-in. SMD package which saves board space. Typical phase noise at 4GHz is -90dBc/Hz at 10KHz offset with 0dBm minimum output power.



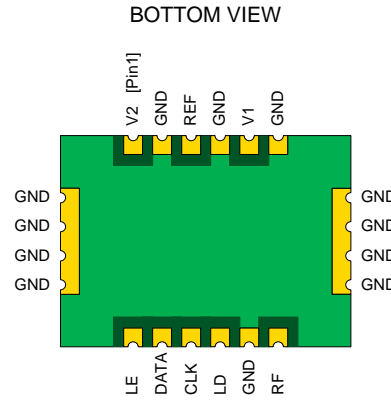
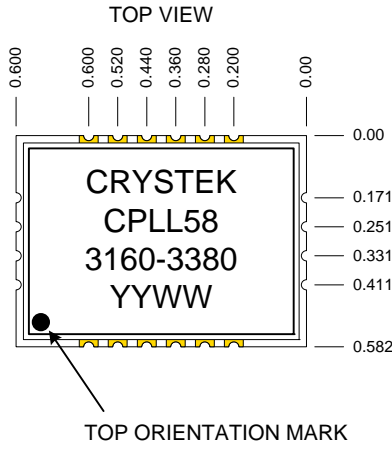
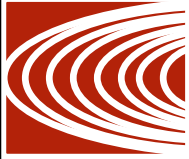


| PERFORMANCE SPECIFICATION | MIN | TYP | MAX | UNITS |
|---|-------|------|-------|--------|
| Frequency Range: | 3.160 | | 3.380 | GHz |
| Step Size: | | 2500 | | KHz |
| Settling Time, to within ± 1kHz (Freq. step < 25MHz): | | 3 | | msec |
| Output Power: | 0 | +3.0 | +6.0 | dBm |
| Output Phase Noise: (See Plot Below) | | | | |
| @1KHz offset | | -85 | -80 | dBc/Hz |
| @10KHz offset | | -95 | -90 | dBc/Hz |
| @100KHz offset | | -115 | -110 | dBc/Hz |
| @1MHz offset | | -135 | -130 | dBc/Hz |
| Power Supply: | | | | |
| V1=VCO Supply | 4.75 | 5.0 | 5.25 | Volts |
| V2=PLL Supply | 2.7 | 3.0 | 3.3 | Volts |
| Supply Current: | | | | |
| I1=VCO Input Current | | 50 | | mA |
| I2=PLL Input Current | | 25 | | mA |
| Spurious Suppression | | | | dBc |
| PFDSpur | | -70 | -60 | dBc |
| Reference Feedthru | | -80 | -70 | dBc |
| Harmonic Suppression (2nd Harmonic): | | | | |
| 2nd | | -15 | -10 | dBc |
| Reference Frequency | | 10 | | MHz |
| RF Output Level | -5 | 0 | +5 | dBm |
| Input Impedance | | 100K | | Ohm |
| RF Output Impedance | | 50 | | Ohm |
| Operating Temperature Range: | -40 | | +85 | °C |

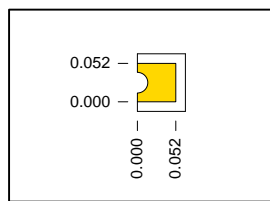
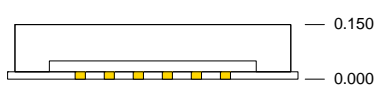


| N | SWP PARAM | VAL |
|---|--------------|-------------|
| 0 | 1.066859 kHz | -82.928 dBc |
| 1 | 10 kHz | -94.406 dBc |
| 2 | 100 kHz | -93.942 dBc |



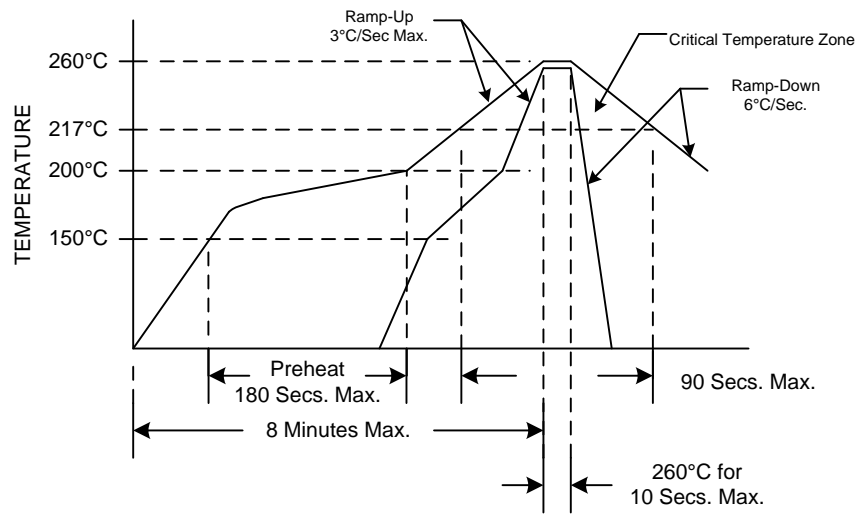


- LE = Load Enable, CMOS Input
- DATA = Serial Data Input
- CLK = Clock
- LD = Lock Detect
- REF = Reference Input
- V1 = Analog Supply Input (VCO)
- V2 = Digital Supply Input (PLL)
- RF = RF Output



Pad Detail

RECOMMENDED REFLOW SOLDERING PROFILE



ENVIRONMENTAL COMPLIANCE

| Parameter | Conditions |
|------------------------|--------------------------|
| Mechanical Shock | MIL-STD-883, Method 2002 |
| Mechanical Vibration | MIL-STD-883, Method 2007 |
| Solderability | MIL-STD-883, Method 1014 |
| Resistance to Solvents | MIL-STD-883, Method 2016 |

Programming Guide for CPLL58-XXXX

Introduction

The CPLL58 uses a simple 3 wire interface to program four internal registers. See Figure 1.

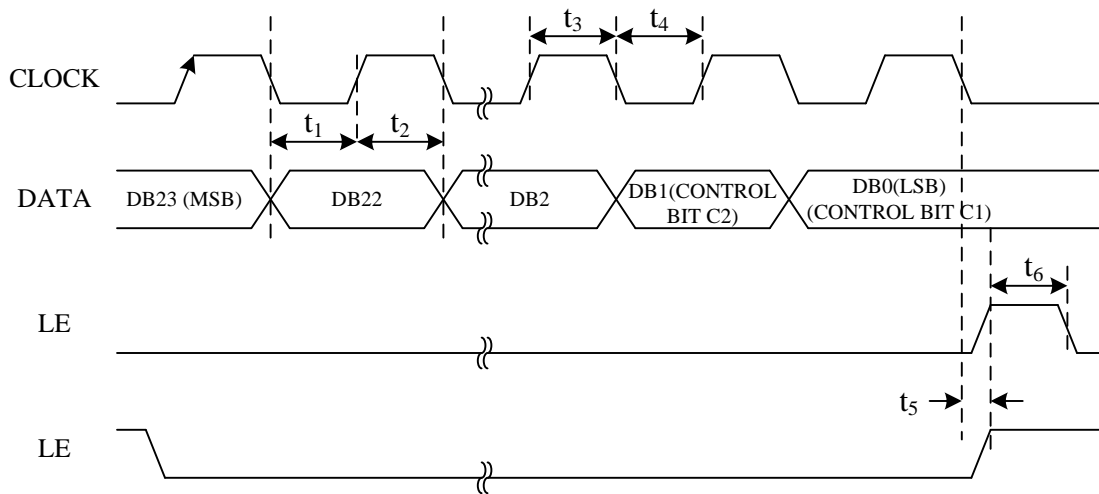


Figure 1. Timing Diagram

There are four 24 bit registers that need to be programmed. Which register is written into is simply controlled by Control Bits C1 and C2. Table I summarizes the Truth Table for Control Bits C1 and C2.

| Control Bits | | Data Latch |
|--------------|----|--------------------------------------|
| C2 | C1 | |
| 0 | 0 | R Counter |
| 0 | 1 | N Counter (A and B) |
| 1 | 0 | Function Latch (Including Prescaler) |
| 1 | 1 | Initialization Latch |

Table I. C2, C1 Truth Table

Table II shows the details of the four 24 bit registers.

| REFERENCE COUNTER LATCH | | | | | | | | | | | | | | | | | | | | | | | |
|-------------------------|------|------|-----------------------|----------------|------|------|---------------------|------|--------------------------|------|------|------|------|-----|-----|-----|-----|-----|-----|-----|-----|--------------|-------|
| RESERVED | | | LOCK DETECT PRECISION | TEST MODE BITS | | | ANTI-BACKLASH WIDTH | | 14-BIT REFERENCE COUNTER | | | | | | | | | | | | | CONTROL BITS | |
| DB23 | DB22 | DB21 | DB20 | DB19 | DB18 | DB17 | DB16 | DB15 | DB14 | DB13 | DB12 | DB11 | DB10 | DB9 | DB8 | DB7 | DB6 | DB5 | DB4 | DB3 | DB2 | DB1 | DB0 |
| X | 0 | 0 | LDP | T2 | T1 | ABP2 | ABP1 | R14 | R13 | R12 | R11 | R10 | R9 | R8 | R7 | R6 | R5 | R4 | R3 | R2 | R1 | C2(0) | C1(0) |

| N COUNTER LATCH | | | | | | | | | | | | | | | | | | | | | | | |
|-----------------|------|---------|----------------|------|------|------|------|------|------|------|------|------|------|-----|-----|---------------|-----|-----|-----|-----|-----|--------------|-------|
| RESERVED | | CP GAIN | 13-BIT COUNTER | | | | | | | | | | | | | 6-BIT COUNTER | | | | | | CONTROL BITS | |
| DB23 | DB22 | DB21 | DB20 | DB19 | DB18 | DB17 | DB16 | DB15 | DB14 | DB13 | DB12 | DB11 | DB10 | DB9 | DB8 | DB7 | DB6 | DB5 | DB4 | DB3 | DB2 | DB1 | DB0 |
| | | G1 | B13 | B12 | B11 | B10 | B9 | B8 | B7 | B6 | B5 | B4 | B3 | B2 | B1 | A6 | A5 | A4 | A3 | A2 | A1 | C2(0) | C1(1) |

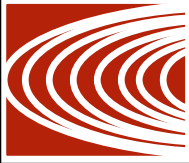
| FUNCTION LATCH | | | | | | | | | | | | | | | | | | | | | | | | |
|-----------------|------|-------------------------|------------------------------|------|------|------|------------------------------|------|------|-----------------------|------|------|------|---------------|-----------------|----------------|-------------|----------------|-----|-----|-------------------------|---------------|--------------|--|
| PRESCALER VALUE | | POWER-DOWN ₂ | CURRENT SETTING ₂ | | | | CURRENT SETTING ₁ | | | TIMER COUNTER CONTROL | | | | FASTLOCK MODE | FASTLOCK ENABLE | CP THREE-STATE | PD POLARITY | MUXOUT CONTROL | | | POWER-DOWN ₁ | COUNTER RESET | CONTROL BITS | |
| DB23 | DB22 | DB21 | DB20 | DB19 | DB18 | DB17 | DB16 | DB15 | DB14 | DB13 | DB12 | DB11 | DB10 | DB9 | DB8 | DB7 | DB6 | DB5 | DB4 | DB3 | DB2 | DB1 | DB0 | |
| P2 | P1 | PD2 | CP16 | CP15 | CP14 | CP13 | CP12 | CP11 | TC4 | TC3 | TC2 | TC1 | F5 | F4 | F3 | F2 | M3 | M2 | M1 | PD1 | F1 | C2(1) | C1(0) | |

| INITIALIZATION LATCH | | | | | | | | | | | | | | | | | | | | | | | | |
|----------------------|------|-------------------------|------------------------------|------|------|------|------------------------------|------|------|-----------------------|------|------|------|---------------|-----------------|----------------|-------------|----------------|-----|-----|-------------------------|---------------|--------------|--|
| PRESCALER VALUE | | POWER-DOWN ₂ | CURRENT SETTING ₂ | | | | CURRENT SETTING ₁ | | | TIMER COUNTER CONTROL | | | | FASTLOCK MODE | FASTLOCK ENABLE | CP THREE-STATE | PD POLARITY | MUXOUT CONTROL | | | POWER-DOWN ₁ | COUNTER RESET | CONTROL BITS | |
| DB23 | DB22 | DB21 | DB20 | DB19 | DB18 | DB17 | DB16 | DB15 | DB14 | DB13 | DB12 | DB11 | DB10 | DB9 | DB8 | DB7 | DB6 | DB5 | DB4 | DB3 | DB2 | DB1 | DB0 | |
| P2 | P1 | PD2 | CP16 | CP15 | CP14 | CP13 | CP12 | CP11 | TC4 | TC3 | TC2 | TC1 | F5 | F4 | F3 | F2 | M3 | M2 | M1 | PD1 | F1 | C2(1) | C1(1) | |

Table II. Latch Summary

When using the CPLL58 family in a synthesizer application, all four 24 bit registers need to be written into after power-up. After writing all four latches the first time, subsequent frequency step changes can be accomplished by changing the N Counter Latch only.

Specifications subject to change without notice.



Programming Crystek p/n: CPLL58-3160-3380

The following is specific programming for CPLL58-3160-3380 (3.160GHz~3.380GHz with 100KHz Step Size and 10MHz input reference frequency).

Program all four registers with the following:

R Counter Latch: 000013 H
N Counter Latch: 002741 H
Function Latch: 9F8083 H

The above values will set the CPLL58-3160-3380 to 3.160GHz



Данный компонент на территории Российской Федерации

Вы можете приобрести в компании MosChip.

Для оперативного оформления запроса Вам необходимо перейти по данной ссылке:

<http://moschip.ru/get-element>

Вы можете разместить у нас заказ для любого Вашего проекта, будь то серийное производство или разработка единичного прибора.

В нашем ассортименте представлены ведущие мировые производители активных и пассивных электронных компонентов.

Нашей специализацией является поставка электронной компонентной базы двойного назначения, продукции таких производителей как XILINX, Intel (ex.ALTERA), Vicor, Microchip, Texas Instruments, Analog Devices, Mini-Circuits, Amphenol, Glenair.

Сотрудничество с глобальными дистрибьюторами электронных компонентов, предоставляет возможность заказывать и получать с международных складов практически любой перечень компонентов в оптимальные для Вас сроки.

На всех этапах разработки и производства наши партнеры могут получить квалифицированную поддержку опытных инженеров.

Система менеджмента качества компании отвечает требованиям в соответствии с ГОСТ Р ИСО 9001, ГОСТ РВ 0015-002 и ЭС РД 009

Офис по работе с юридическими лицами:

105318, г.Москва, ул.Щербаковская д.3, офис 1107, 1118, ДЦ «Щербаковский»

Телефон: +7 495 668-12-70 (многоканальный)

Факс: +7 495 668-12-70 (доб.304)

E-mail: info@moschip.ru

Skype отдела продаж:

moschip.ru

moschip.ru_4

moschip.ru_6

moschip.ru_9