

100mA-400mA EOL – Last Buy Date is Jun 30, 2020
No replacements for these ratings

Type 3AB / 3ABP

Fast Blow Fuse Series

HF **Pb** 3AB/3ABP Series, 6x32mm Ceramic Tube Fast Blow Fuse

RoHS 2 Compliant

Description

6x32mm Fast Blow, Ceramic tube body cartridge fuse designed, approved and complied with UL and CSA standard 248-14.

Features

- Meet UL and CSA standard 248-14
- Wide operating temperature range
- Bulk packing available
- RoHS 2 compliant
- Halogen Free
- Lead Free

Applications

Provide individual protection for components or internal circuits.

- Power supplies
- Battery charger
- Monitor
- Adapter

LEAD FREE = **Pb**
HALOGEN FREE = **HF**



Physical Specifications

Materials	Body : Ceramic
	Cap : Nickel Plated Brass Caps
	Leads : Matte Tin Plated Copper
Marking	On Fuse :
	"bel", "3AB", "Current Rating", "Voltage Rating", "Appropriate Safety Logos", "✓" (RoHS 2 compliant)
	On Label :
	"bel", "3AB" or "3ABP", "Current Rating", "Voltage Rating", "Interrupting Rating", "Appropriate Safety Logos" and "✓", "Pb", "CE" (China RoHS compliant).

Electrical Characteristics (UL/CSA STD.248-14) Safety Agency Approvals

Testing Current	Blow Time		Amp Range
	Minimum	Maximum	
100%	4 hrs.	N/A	100mA-20A
135%	N/A	1 hr.	100mA-10A
200%	N/A	5 sec	100mA-10A
	N/A	120 sec	12A-20A

Safety Agency	Safety Agency Certificate	Voltage Rating (V)	Ampere Range / Volt @ I.R. ability*
UL US	E20624	100mA-20A /250V AC	100mA-1A/250V AC@35A >1A-3.5A/250V AC@100A >3.5A-10A/250V AC@200A 100mA-10A/250V AC@10,000A
SP	LR39772		
UL US	E20624		>10A-15A/250V AC@750A >15A-20A/250V AC@1,500A >10A-20A/125V AC@10,000A
PSE	JET1037-31003-1010 JET1037-31003-1011 JET1037-31003-1007		1A-5A/125V AC@500A >5A-15A/125V AC@300A

*I.R.= Interrupting Rating = Short Circuit Rating(Amps)

Type 3AB / 3ABP

Environmental Specifications

Shock Resistance	MIL-STD-202G, Method 213B, Test Condition 1 (100 G's peak for 6 milliseconds; Sawtooth waveform)
Vibration Resistance	MIL-STD-202G, Method 201A (10-55 Hz, 0.06 inch, total excursion).
Salt Spray Resistance	MIL-STD-202G, Method 101E, Test Condition B (48 hrs).
Insulation Resistance	MIL-STD-202G, Method 302, Test Condition A (After Opening) 10,000 ohms minimum.
Solderability	MIL-STD-202G, Method 208H
Resistance to solder Heat	MIL-STD-202G, Method 210F, Test Condition B (260+/-5°C, 10+/-1 sec)
Thermal Shock	MIL-STD-202G, Method 107G, Test Condition B (-65°C to +125°C).
Operating Temperature	-55°C to +125°C
Terminal Strength	IEC-68-2-21

Electrical Specifications

Catalog Number	Ampere Rating	Typical Cold Resistance (ohms)	Volt-drop @100%In (Volt) max.	Voltage and Interrupting Ratings	Melting I ² T <10 mSec (A ² Sec)	Melting I ² T @ 10 In (A ² Sec)	Maximum Power Dissipation (W)	Agency Approvals		
										
3AB(P) 100-R	100mA	11.3	4.62	See Table of Safety Approvals on Page 1 for Voltage and associated Interrupting Ratings	0.002	0.002	0.59	Y	Y	
3AB(P) 125-R	125mA	10.5	5.18		0.004	0.003	0.74	Y	Y	
3AB(P) 160-R	160mA	7.26	4.85		0.008	0.005	0.87	Y	Y	
3AB(P) 200-R	200mA	5.00	4.38		0.014	0.010	1.02	Y	Y	
3AB(P) 250-R	250mA	3.42	4.05		0.025	0.017	1.19	Y	Y	
3AB(P) 300-R	300mA	2.52	3.54		0.044	0.032	1.40	Y	Y	
3AB(P) 375-R	375mA	1.86	3.35		0.071	0.050	1.58	Y	Y	
3AB(P) 500-R	500mA	0.74	1.50		See Table of Safety Approvals on Page 1 for Voltage and associated Interrupting Ratings	0.14	0.10	1.92	Y	Y
3AB(P) 750-R	750mA	0.257	0.36	0.75		0.74	0.30	Y	Y	
3AB(P) 1-R	1A	0.155	0.28	1.4		1.4	0.37	Y	Y	Y
3AB(P) 1.25-R	1.25A	0.114	0.27	2.5		2.5	0.44	Y	Y	Y
3AB(P) 1.5-R	1.5A	0.089	0.27	3.80		3.95	0.49	Y	Y	Y
3AB(P) 1.6-R	1.6A	0.085	0.27	4.2		4.4	0.51	Y	Y	Y
3AB(P) 2-R	2A	0.057	0.22	7.2		7.6	0.59	Y	Y	Y
3AB(P) 2.5-R	2.5A	0.043	0.21	12		13	0.70	Y	Y	Y
3AB(P) 3-R	3A	0.033	0.17	21		23	0.83	Y	Y	Y
3AB(P) 3.5-R	3.5A	0.027	0.18	28		31	0.91	Y	Y	Y
3AB(P) 4-R	4A	0.024	0.17	36		40	1.00	Y	Y	Y
3AB(P) 5-R	5A	0.018	0.16	63		70	1.20	Y	Y	Y
3AB(P) 6-R	6A	0.014	0.15	107		123	1.40	Y	Y	Y
3AB(P) 7-R	7A	0.012	0.16	141		162	1.60	Y	Y	Y
3AB(P) 8-R	8A	0.010	0.15	184		214	1.70	Y	Y	Y
3AB(P) 10-R	10A	0.008	0.13	316		372	2.00	Y	Y	Y
3AB(P) 12-R	12A	0.009	0.19	501		597	2.30	Y		Y
3AB(P) 15-R	15A	0.007	0.17	845		1023	2.70	Y		Y
3AB(P) 20-R	20A	0.004	0.15	1598		1968	3.00	Y		

Consult manufacturer for other ratings

EOL—
 Last Buy Date is Jun 30, 2020



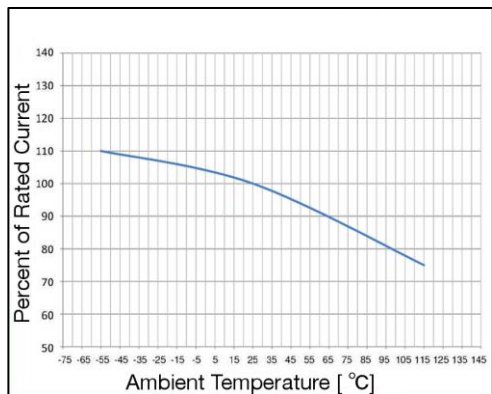
Specifications subject to change without notice

Bel Fuse Inc.
 206 Van Vorst Street
 Jersey City, NJ 07302 USA

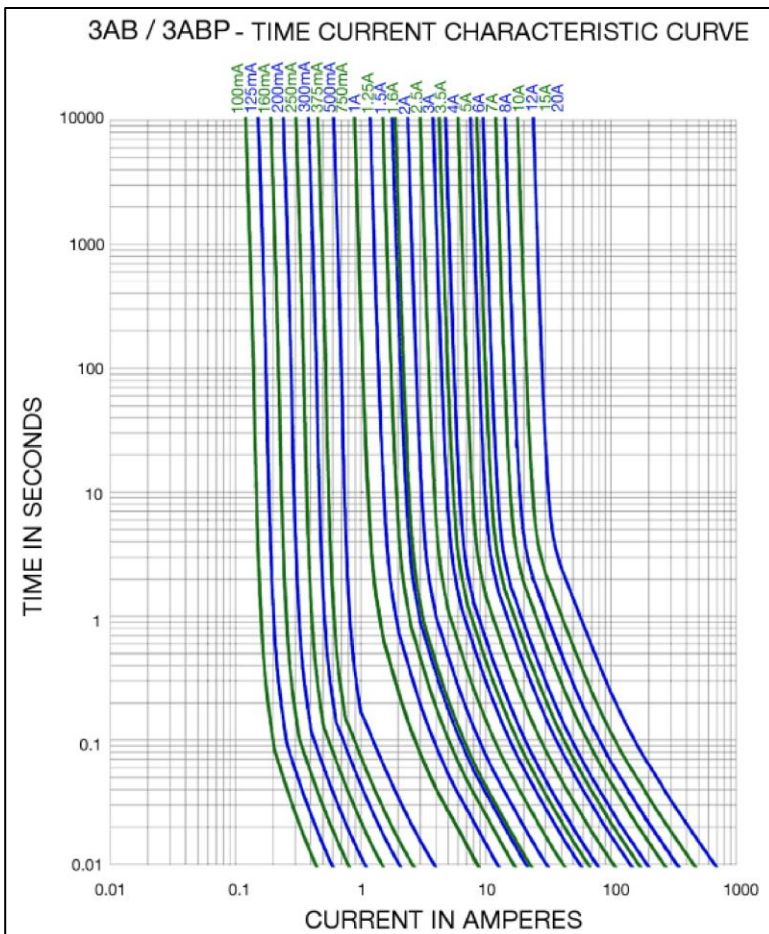
+1 201.432.0463
 Bel.US.CS@belf.com
belfuse.com/circuit-protection

Type 3AB / 3ABP

Temperature Derating Curve

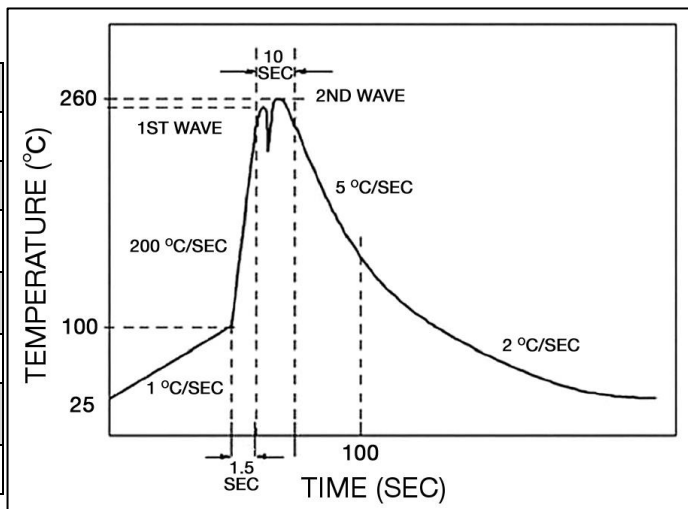


Average Time Current Curve



Soldering Parameters

Lead-free Wave Soldering Profile	
Wave Soldering Parameter	
Average ramp-up rate	200°C / second
Heating rate during preheat	typical 1 - 2°C / second Max 4°C / second
Final preheat temperature	within 125°C of soldering temperature
Peak temperature Tp	260°C
Time within +0°C / -5°C of actual peak temperature	10 seconds
Ramp-down rate	5°C / second max.



Specifications subject to change without notice

Bel Fuse Inc.
 206 Van Vorst Street
 Jersey City, NJ 07302 USA

+1 201.432.0463
 Bel.US.CS@belf.com
belfuse.com/circuit-protection

Type 3AB / 3ABP

Fuse FGNO Explanation

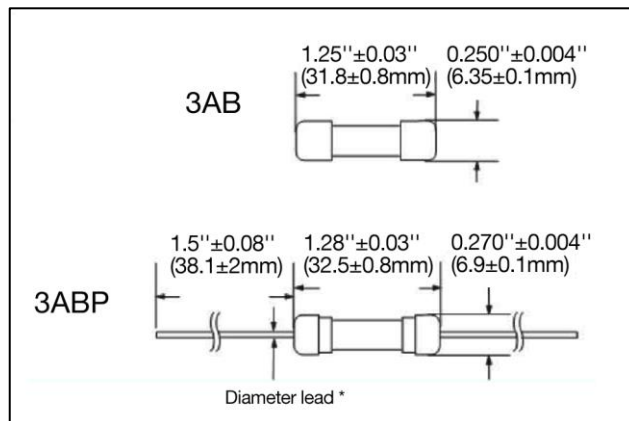
06X3 R [XXXX] -XX

0603R=3AB/0613R=3ABP; [XXXX]=Ampere Rating; XX=See Ordering Information as below

Fraction	Decimal	Milliamps	Bel FGNO[XXXX]
1/10	0.100	100	0100
1/8	.125	125	0125
	.160	160	0160
2/10	.200	200	0200
1/4	.250	250	0250
3/10	.300	300	0300
3/8	.375	375	0375
1/2	.500	500	0500
3/4	.750	750	0750

Fraction	Decimal	Amps	Bel FGNO[XXXX]
	1.0	1	1000
1-1/4	1.25	1.25	1250
1-1/2	1.50	1.5	1500
	1.60	1.6	1600
	2.0	2	2000
2-1/2	2.5	2.5	2500
	3.0	3	3000
3-1/2	3.5	3.5	3500
	4.0	4	4000
	5.0	5	5000
	6.0	6	6000
	7.0	7	7000
	8.0	8	8000
		10	9100
		12	9120
		15	9150
		20	9200

Mechanical Dimensions



*Diameter of lead wire 0.039" ± 0.002" for all ratings

Ordering Information

06X3 R XXXX - X X

FUSE TYPE _____

0603R = 3AB Series

0613R = 3ABP Series

R = RoHS Compliant _____

AMPERE RATING _____

Refer to fuse FGNO explanation table

PACKAGING CODE _____

3 = 3AB, Cartridge, 1K / Box

3 = 3ABP, Pigtail, Bulk, 1K / Box

VOLTAGE CODE _____

3 = 250V, for 100mA-20A

Packaging

Packaging Option	Packaging Specification	Quantity	Packaging Code	Inside Tape Spacing
Bulk	N/A	1000	33	N/A
Bulk (Pigtail Type)	N/A	1000	33	N/A



Specifications subject to change without notice

Bel Fuse Inc.
 206 Van Vorst Street
 Jersey City, NJ 07302 USA

+1 201.432.0463
 Bel.US.CS@belf.com
belfuse.com/circuit-protection

Данный компонент на территории Российской Федерации

Вы можете приобрести в компании MosChip.

Для оперативного оформления запроса Вам необходимо перейти по данной ссылке:

<http://moschip.ru/get-element>

Вы можете разместить у нас заказ для любого Вашего проекта, будь то серийное производство или разработка единичного прибора.

В нашем ассортименте представлены ведущие мировые производители активных и пассивных электронных компонентов.

Нашей специализацией является поставка электронной компонентной базы двойного назначения, продукции таких производителей как XILINX, Intel (ex.ALTERA), Vicor, Microchip, Texas Instruments, Analog Devices, Mini-Circuits, Amphenol, Glenair.

Сотрудничество с глобальными дистрибьюторами электронных компонентов, предоставляет возможность заказывать и получать с международных складов практически любой перечень компонентов в оптимальные для Вас сроки.

На всех этапах разработки и производства наши партнеры могут получить квалифицированную поддержку опытных инженеров.

Система менеджмента качества компании отвечает требованиям в соответствии с ГОСТ Р ИСО 9001, ГОСТ РВ 0015-002 и ЭС РД 009

Офис по работе с юридическими лицами:

105318, г.Москва, ул.Щербаковская д.3, офис 1107, 1118, ДЦ «Щербаковский»

Телефон: +7 495 668-12-70 (многоканальный)

Факс: +7 495 668-12-70 (доб.304)

E-mail: info@moschip.ru

Skype отдела продаж:

moschip.ru

moschip.ru_4

moschip.ru_6

moschip.ru_9