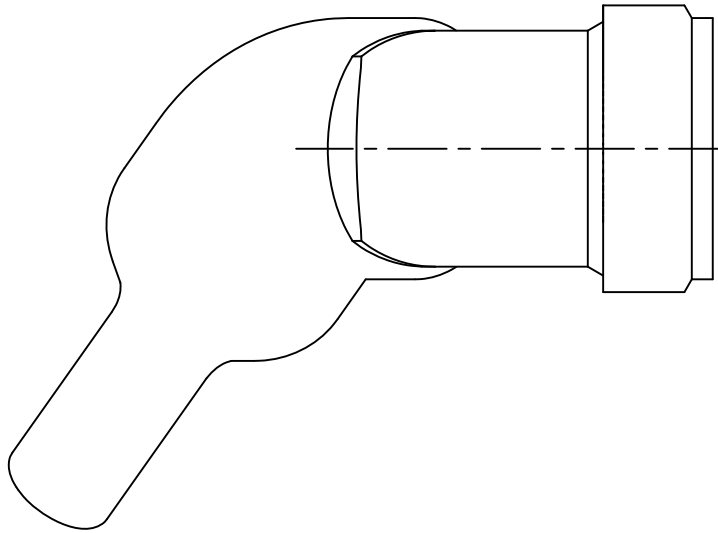


THIS DRAWING AND THE INFORMATION SET FORTH HEREON ARE THE PROPERTY OF TYCO ELECTRONICS AND ARE TO BE HELD IN TRUST AND CONFIDENCE. PUBLICATION, DUPLICATION, DISCLOSURE, OR USE FOR ANY PURPOSE NOT EXPRESSLY AUTHORIZED IN WRITING BY TYCO ELECTRONICS IS PROHIBITED.

REVISIONS			
LTR	DESCRIPTION	DATE	APPROVED
A	INITIAL RELEASE PER ECO-11-022898	11/14/11	B. WONG



SPIN-LOCK ADAPTER, HEAT SHRINKABLE MOLDED PART, SEALED


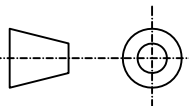
NOTES:

- THIS PRODUCT IS DESIGNED TO TERMINATE A BRAIDED CABLE SHIELD AND A HEAT SHRINKABLE LIPPED BOOT TO A CONNECTOR.
- SEE DRAWING "TR" FOR DETAIL ON TINEL-LOCK RING. RINGS ARE DESIGNED TO BE HEATED ELECTRICALLY. ALL RINGS ARE MARKED WITH THERMOCHROMIC PAINT WHICH CHANGES COLOR WHEN INSTALLATION TEMPERATURE IS REACHED.
- ADAPTER TO BE PERMANENTLY MARKED WITH CODE IDENT. NO. AND PART NO. LESS RING DESIGNATOR (E.G.: 06090-XXXXXXX-XXXXX).
- ADAPTER MATES TO MIL-C-38999, SERIES III & IV, CLASS C, F, K, & W; D38999 /20, /24, /26, /40, /46, /47 CONNECTORS, WHEN SO MATED SHALL PROVIDE WATER-TIGHT SEAL MEETING THE REQUIREMENTS OF MIL-C-85049, PAR. 3.5.7.
- INSTALLATION PROCEDURE MIP-104.
- PERFORMANCE SPECIFICATION MPS-103.
- FOR ADDITIONAL ORDERING INFORMATION SEE CH00-0250-019

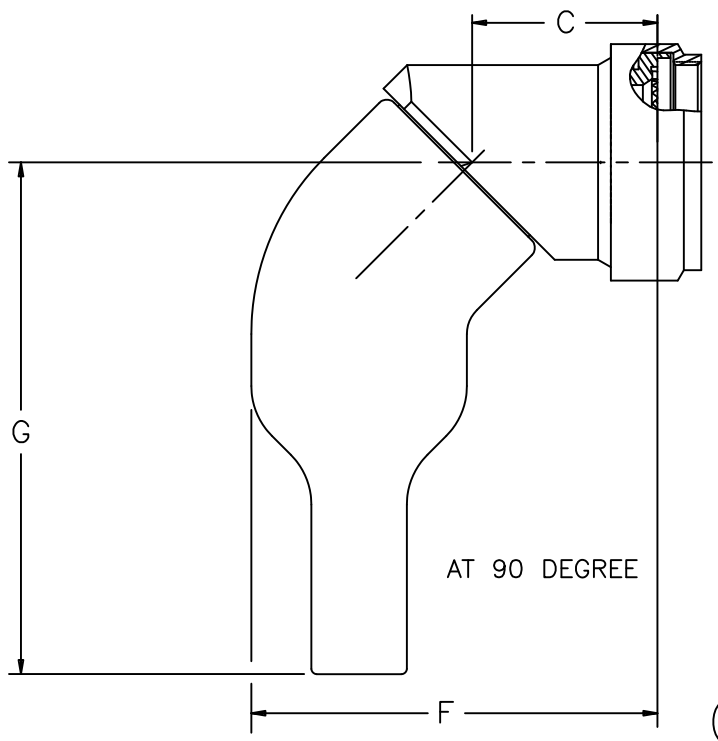
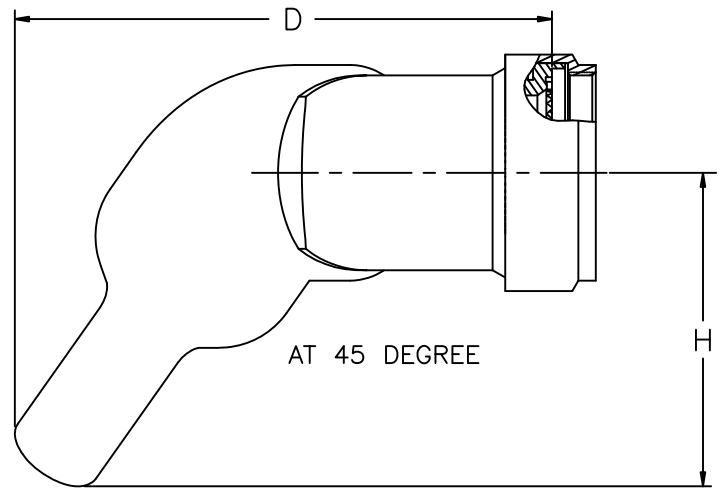
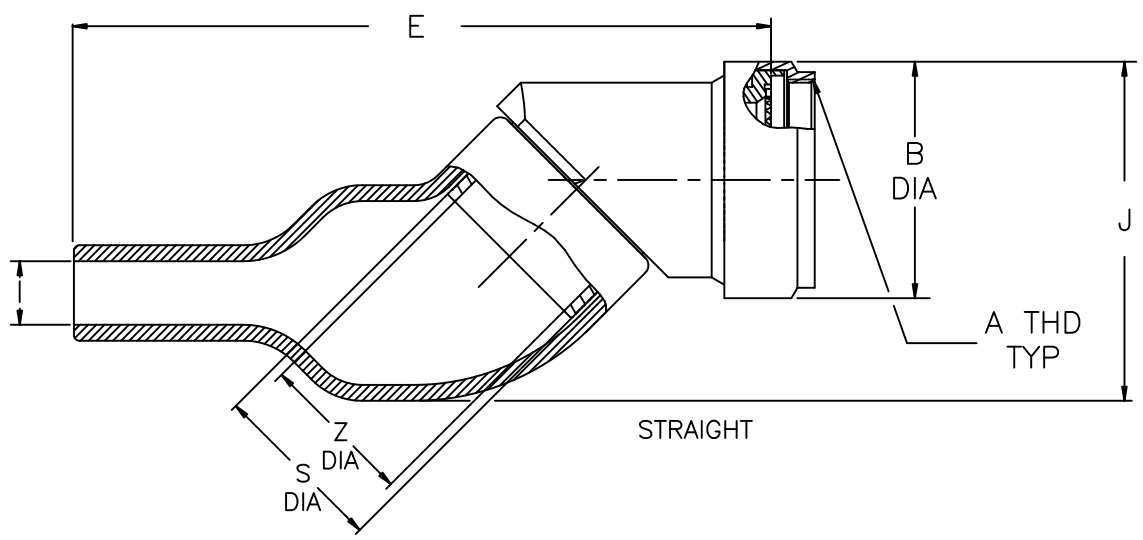
©2011 Tyco Electronics Corporation. All rights reserved.

If this document is printed it becomes uncontrolled. Check for the latest revision

Raychem Adapters
CUSTOMER DRAWING

UNLESS OTHERWISE SPECIFIED DIMENSIONS ARE IN INCHES AND TOLERANCES ARE: .XXX ± .06 .XX ± .03 ± 2°	DRAWN D JAIN	DATE 12OCT2011		TE Connectivity	
	CHECKED BERT W	DATE 12OCT2011			
	APPROVED	DATE			
MATERIAL SEE NOTES	THIRD ANGLE PROJECTION 		TITLE SPIN-LOCK ADAPTER, HEAT SHRINKABLE MOLDED PART, SEALED, CODE 40		
FINISH -	CAD NAME SLM40_a.dwg	SIZE A	CAGE CODE: 06090	DWG. NO. SLM40	REV A
	RPN: -	SCALE: NONE		SHEET 1 OF 3	

REVISIONS			
LTR	DESCRIPTION	DATE	APPROVED
A	INITIAL RELEASE PER ECO-11-022898	11/14/11	B. WONG



Raychem Adapters
CUSTOMER DRAWING

SIZE A	CAGE CODE: 06090	DWG. NO. SLM40	REV A
SCALE: NONE		SHEET 2 OF 3	

REVISIONS			
LTR	DESCRIPTION	DATE	APPROVED
A	INITIAL RELEASE PER ECO-11-022898	11/14/11	B. WONG

TABLE I

ORDER NO.	SHELL SIZE 4		AVAILABLE ENTRY SIZES SEE TABLE III		A METRIC CLASS	THD 6H	B MAX DIA	C MAX DIM
	COM'L	MIL	SMALL	LARGE				
08	09	A	04	-	M12 x 1.0		.67 [17.02]	.61 [15.49]
10	11	B	04	06	M15 x 1.0		.81 [20.57]	.66 [16.76]
12	13	C	06	08	M18 x 1.0		.96 [24.38]	.73 [18.54]
14	15	D	08	10	M22 x 1.0		1.14 [28.96]	.86 [21.84]
16	17	E	10	12	M25 x 1.0		1.25 [31.75]	.92 [23.37]
18	19	F	10	14	M28 x 1.0		1.40 [35.56]	.98 [24.89]
20	21	G	12	16	M31 x 1.0		1.48 [37.59]	.99 [25.15]
22	23	H	14	18	M34 x 1.0		1.61 [40.89]	1.06 [26.92]
24	25	J	16	20	M37 x 1.0		1.75 [44.45]	1.12 [28.45]

TABLE II

ORDER NO.	D MAX DIM	E MAX DIM	F MAX DIM	G MAX DIM	H MAX DIM	I MAX DIA	J MAX DIM
08	1.93 [49.02]	2.45 [62.23]	1.46 [37.08]	1.84 [46.74]	1.03 [26.16]	.55 [13.97]	1.18 [29.97]
10	2.28 [57.91]	2.99 [75.95]	1.65 [41.91]	2.33 [59.18]	1.37 [34.80]	.68 [17.27]	1.39 [35.31]
12	2.35 [59.69]	3.06 [77.72]	1.72 [43.69]	2.33 [59.18]	1.37 [34.80]	.68 [17.27]	1.47 [37.34]
14	2.63 [66.80]	3.41 [86.61]	1.97 [50.04]	2.55 [64.77]	1.52 [38.61]	.90 [22.86]	1.68 [42.67]
16	2.69 [68.33]	3.47 [88.14]	2.03 [51.56]	2.55 [64.77]	1.52 [38.61]	.90 [22.86]	1.74 [44.20]
18	2.97 [75.44]	3.87 [98.30]	2.23 [56.64]	2.90 [73.66]	1.77 [44.96]	1.11 [28.19]	1.95 [49.53]
20	2.98 [75.69]	3.89 [98.81]	2.24 [56.90]	2.90 [73.66]	1.77 [44.96]	1.11 [28.19]	1.99 [50.55]
22	3.43 [87.12]	4.43 [112.52]	2.52 [64.01]	3.36 [85.34]	2.16 [54.86]	1.35 [34.29]	2.27 [57.66]
24	3.49 [88.65]	4.48 [113.79]	2.58 [65.53]	3.36 [85.34]	2.16 [54.86]	1.35 [34.29]	2.33 [59.18]

TABLE III

ENTRY SIZE	MOLDED PART DESCRIPTION	S DIA	Z +.010 -.020
04	245W032	.376 [9.55] .370 [9.40]	.250 [6.35]
06	245W042	.501 [12.73] .495 [12.57]	.375 [9.53]
08	245W042	.626 [15.90] .619 [15.72]	.500 [12.70]
10	245W053	.752 [19.10] .742 [18.85]	.625 [15.88]
12	245W053	.877 [22.28] .867 [22.02]	.750 [19.05]
14	245W063	1.002 [25.45] .991 [25.17]	.875 [22.23]
16	245W063	1.127 [28.63] 1.116 [28.35]	1.000 [25.40]
18	245W074	1.252 [31.80] 1.241 [31.52]	1.125 [28.58]
20	245W074	1.377 [34.98] 1.366 [34.70]	1.250 [31.75]

Raychem Adapters

CUSTOMER DRAWING

SIZE A	CAGE CODE: 06090	DWG. NO. SLM40	REV A
			SHEET 3 OF 3

Данный компонент на территории Российской Федерации

Вы можете приобрести в компании MosChip.

Для оперативного оформления запроса Вам необходимо перейти по данной ссылке:

<http://moschip.ru/get-element>

Вы можете разместить у нас заказ для любого Вашего проекта, будь то серийное производство или разработка единичного прибора.

В нашем ассортименте представлены ведущие мировые производители активных и пассивных электронных компонентов.

Нашей специализацией является поставка электронной компонентной базы двойного назначения, продукции таких производителей как XILINX, Intel (ex.ALTERA), Vicor, Microchip, Texas Instruments, Analog Devices, Mini-Circuits, Amphenol, Glenair.

Сотрудничество с глобальными дистрибьюторами электронных компонентов, предоставляет возможность заказывать и получать с международных складов практически любой перечень компонентов в оптимальные для Вас сроки.

На всех этапах разработки и производства наши партнеры могут получить квалифицированную поддержку опытных инженеров.

Система менеджмента качества компании отвечает требованиям в соответствии с ГОСТ Р ИСО 9001, ГОСТ РВ 0015-002 и ЭС РД 009

Офис по работе с юридическими лицами:

105318, г.Москва, ул.Щербаковская д.3, офис 1107, 1118, ДЦ «Щербаковский»

Телефон: +7 495 668-12-70 (многоканальный)

Факс: +7 495 668-12-70 (доб.304)

E-mail: info@moschip.ru

Skype отдела продаж:

moschip.ru

moschip.ru_4

moschip.ru_6

moschip.ru_9