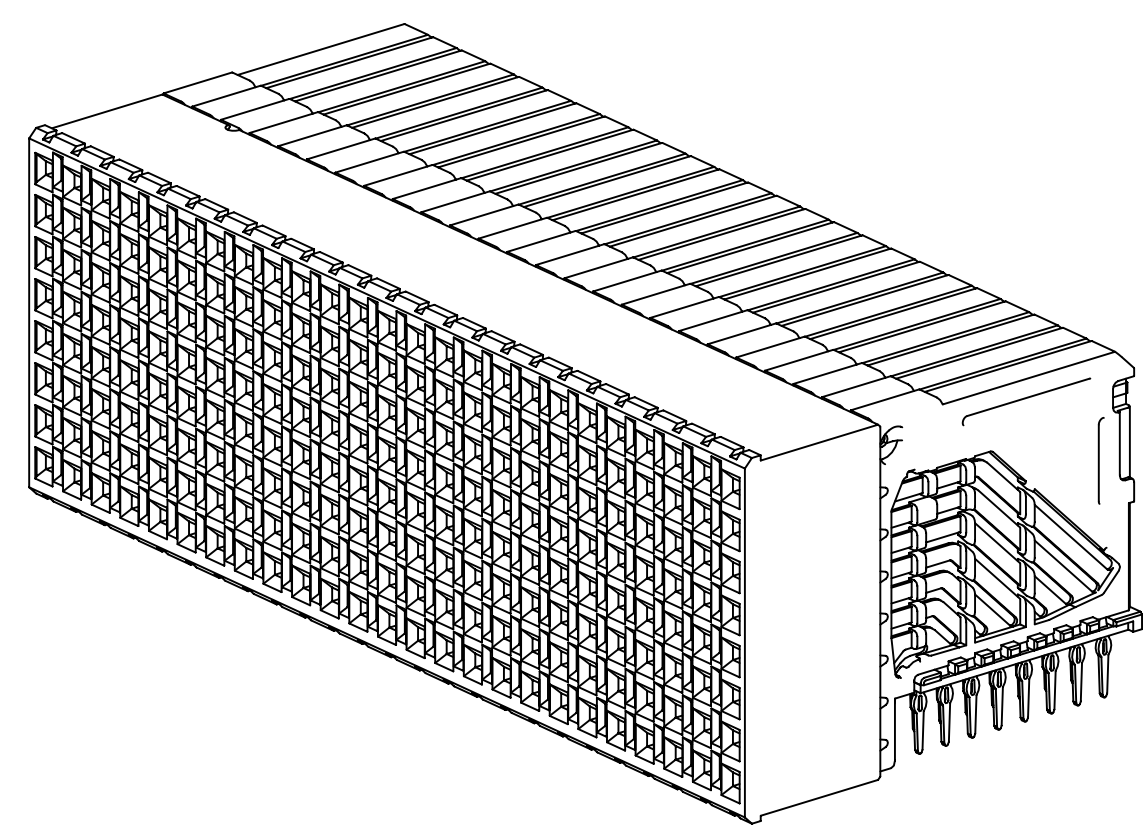


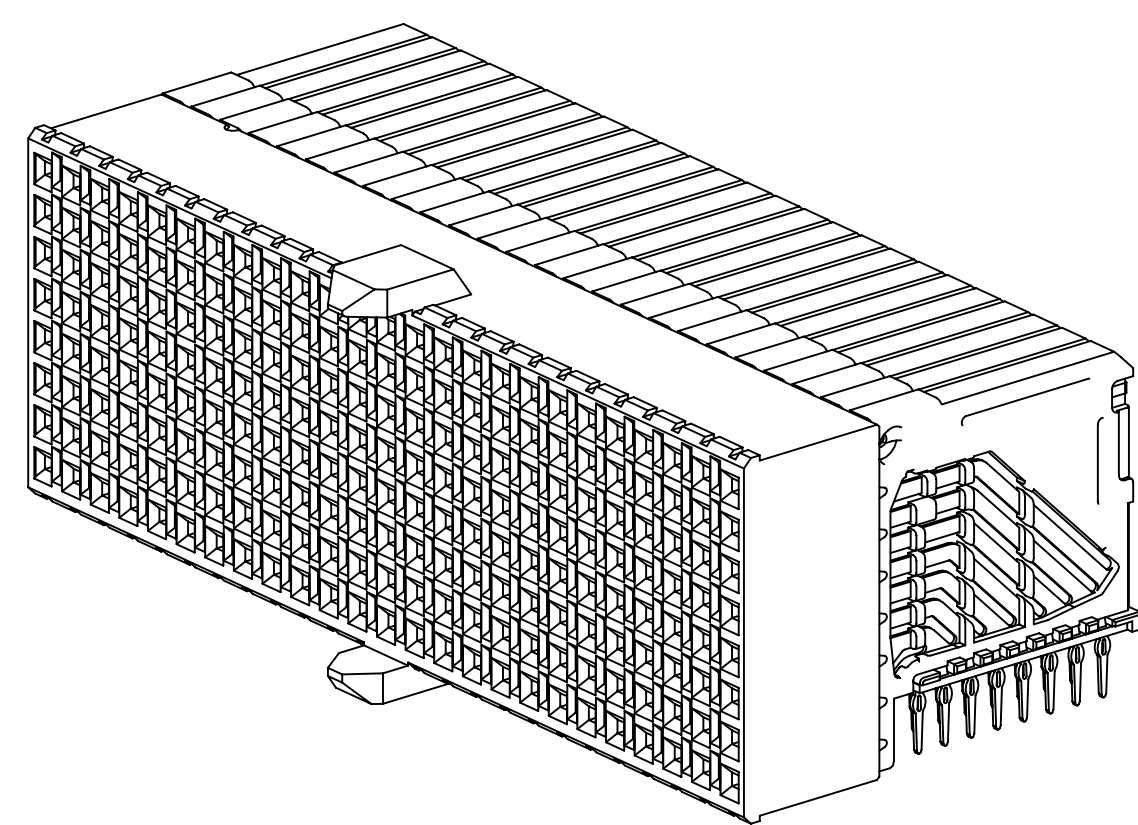
3M™ HM PRESS-FIT SOCKET, 8-ROW, HM SERIES  
FOR HARD METRIC APPLICATIONS

- \* MODULAR/SCALABLE FORMAT: IEC 61076-101.
- \* 101 MATED LINES PER LINEAR INCH.
- \* DUAL BEAM CONTACT CONSTRUCTION FOR HIGH RELIABILITY.
- \* FOUR INTEGRATED 8.25A POWER BLADES.
- \* MULTI-PURPOSE CENTER (MPC) FOR KEYING AND GUIDANCE.
- \* END-TO-END STACKABLE WITH 8 ROW 3M™, HM AND HSHM PRODUCTS.
- \* INTEGRATED GUIDE FINGERS.
- \* MATES WITH 3M™ HSHM HEADERS.

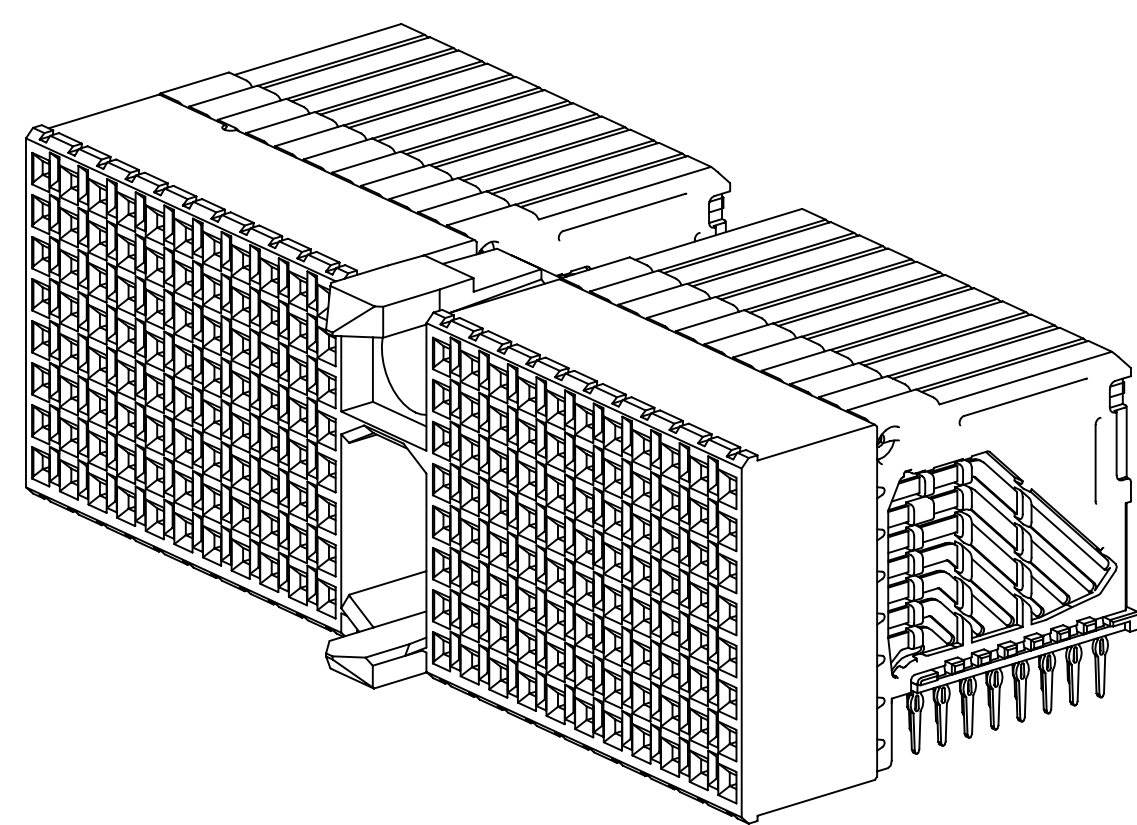
- NOTES
- MATERIAL:  
PLASTIC: HIGH TEMP LCP,  
UL94V-0  
CONTACTS: COPPER ALLOY.
  - REGULATORY INFORMATION:  
ROHS COMPLIANT. SEE THE REGULATORY  
INFORMATION APPENDIX (RIA) IN THE  
"ROHS COMPLIANCE" SECTION OF  
WWW.3MCONNECTORS.COM FOR COMPLIANCE  
INFORMATION (RIA E1 & C1 APPLY)
  - IN THE EVENT OF CONFLICT  
BETWEEN THIS DATA AND THAT  
CONTAINED IN THE PRODUCT  
SPECIFICATION, THE PRODUCT  
SPECIFICATION TAKES PRECEDENT.



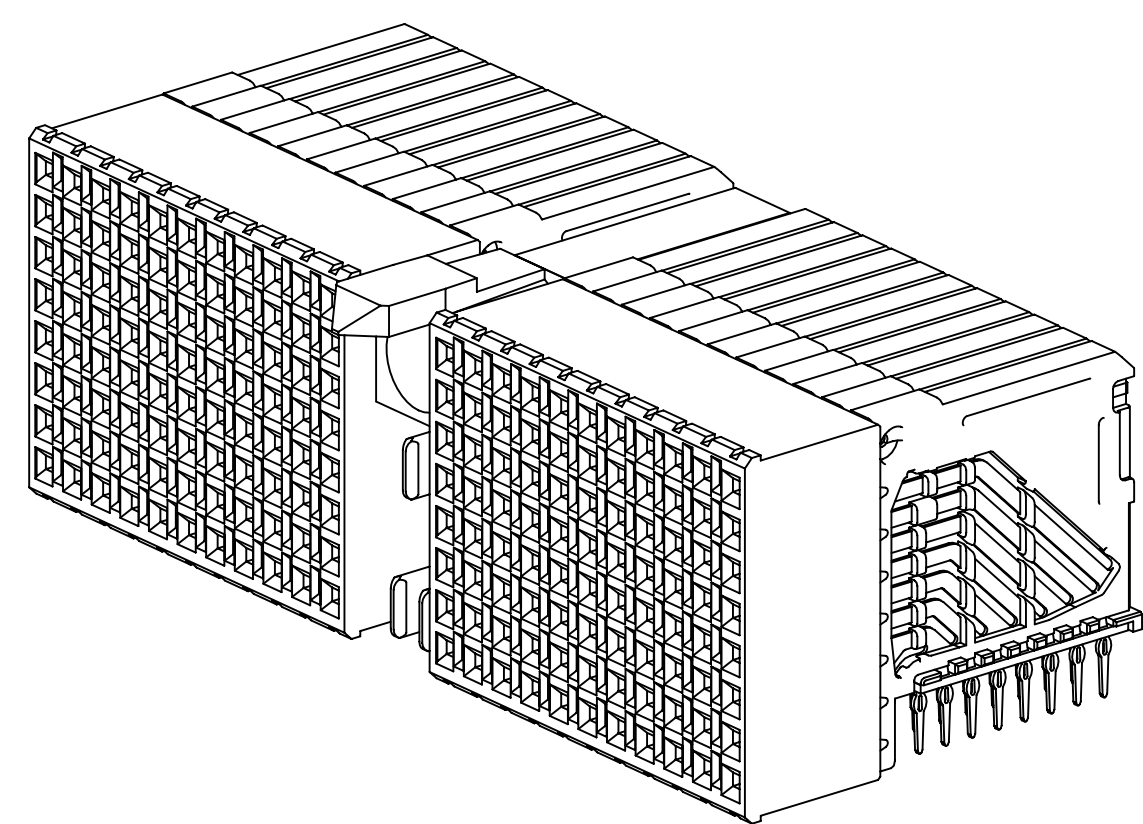
HM-S200E1-8AP1



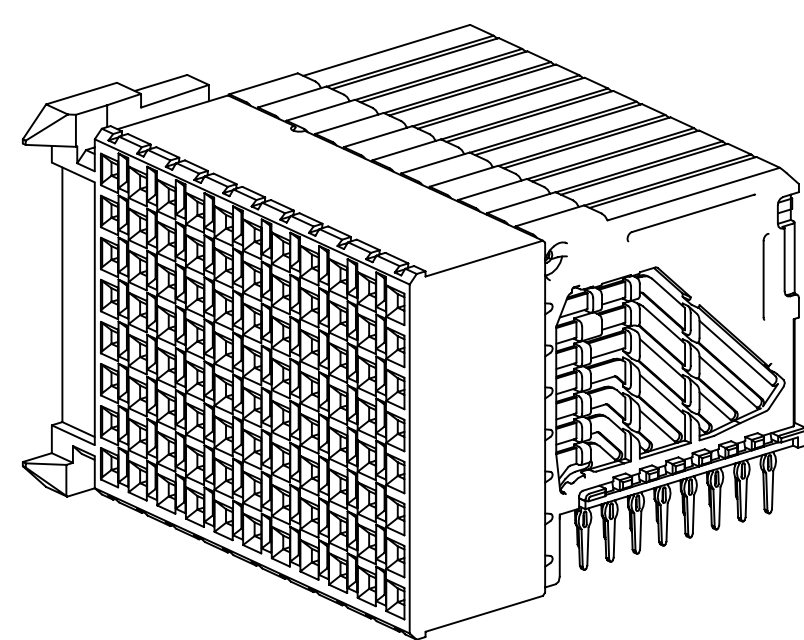
HM-S200DE1-8AP1



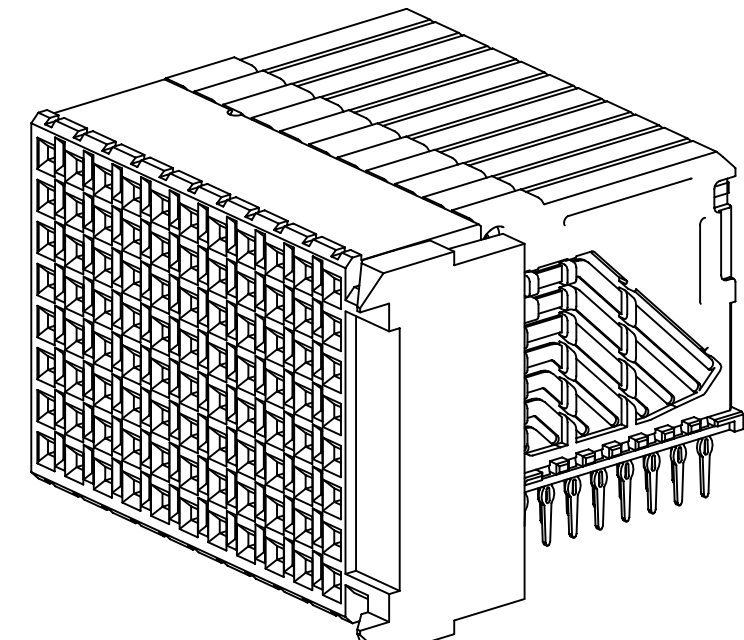
HM-S176D1-8AP1



HM-S176DPWR1-8AP1



HM-S088FL1-8AP1



HM-S088FR1-8AP1

**MECHANICAL:**  
 NORMAL FORCE (NOMINAL): .57N [58g] SIGNAL  
 ENGAGEMENT FORCE (NOMINAL): .32N [33g] SIGNAL  
 SEPARATION FORCE (NOMINAL): .20N [20g] SIGNAL  
 WIPE (NOMINAL, SHORTEST CONTACT): 2.67 [.105] SIGNAL  
 MATE/UNMATE CYCLES: 250  
 APPLICATION: THIS MODULE IS NOT SUITABLE FOR STAND-ALONE USE.

**ELECTRICAL:**  
 CURRENT RATING (FULLY LOADED): 1A @ 70°C SIGNAL  
 INSULATION RESISTANCE:  $1 \times 10^4 \text{ M}\Omega$  @ 100 V<sub>DC</sub>  
 WITHSTANDING VOLTAGE: 750V<sub>RMS</sub>

**ENVIRONMENTAL:**  
 TEMPERATURE RATING: -55°C TO 125°C

ORDERING INFORMATION

HM-SXXXXX1-8AP1-XXXXX

SOCKET POSITION AND TYPE

PLATING:

- TG30L = .76μm [30μIN] MIN. GOLD ON CONTACT AREA, LUBRICATED  
2.54μm [100μIN] MIN. TIN/LEAD ON TERMINAL AREA (RIA C2 & E2 APPLY)  
1.27μm [50μIN] MIN. NICKEL ALL OVER.  
TYPICALLY HIGHER MAKE ORDER QUANTITIES AS COMPARED TO TG30.
- TG30 = .76μm [30μIN] MIN. GOLD ON CONTACT AREA  
2.54μm [100μIN] MIN. TIN/LEAD ON TERMINAL AREA (RIA C2 & E2 APPLY)  
1.27μm [50μIN] MIN. NICKEL ALL OVER.  
STANDARD OPTION.
- TG50 = 1.27μm [50μIN] MIN. GOLD ON CONTACT AREA, LUBRICATED  
2.54μm [100μIN] MIN. TIN/LEAD ON TERMINAL AREA (RIA C2 & E2 APPLY)  
1.27μm [50μIN] MIN. NICKEL ALL OVER.  
NON-STANDARD OPTION (AVAILABLE WITH LONGER LEAD TIMES AND HIGHER MAKE ORDER QUANTITIES, MOQ)
- KR = .76μm [30μIN] MIN. GOLD ON CONTACT AREA  
2.54μm [100μIN] MIN. MATTE TIN ON TERMINAL AREA (RIA C2 & E2 APPLY)  
1.27μm [50μIN] MIN. NICKEL ALL OVER.

3M™ ELECTRONIC SOLUTIONS DIVISION  
INTERCONNECT SOLUTIONS  
<http://www.3mconnectors.com>

3M IS A TRADEMARK OF 3M COMPANY.  
FOR TECHNICAL, SALES OR ORDERING  
INFORMATION CALL 800-225-5373

**UL**  
UL FILE NO: E68080

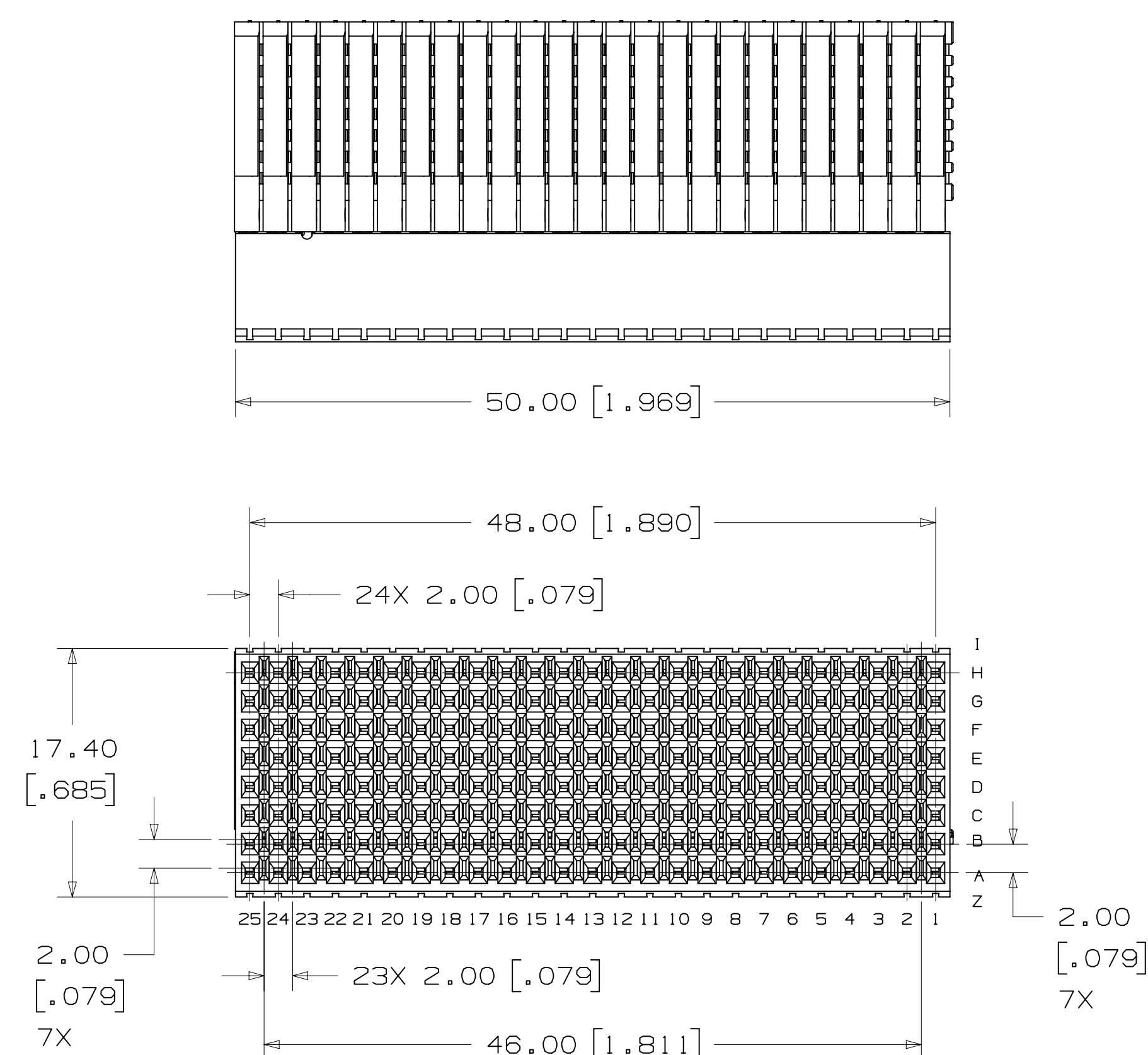
DIMENSIONS: MM [ INCHES ]

DESIGN REFERENCE	NEXT ASSEMBLY	REV	ECO	ISSUE DATE AND DESCRIPTION	DRFT	CHKD
				MAR 23, 2012		
DIVISION		DIVISION CODE		DATE		
Interconnect Solutions		ISD		MAR 23, 2012		
DO NOT SCALE DRAWING		SCALE 3/1		TOLERANCES EXCEPT AS NOTED		
THIRD ANGLE PROJECTION		INTERPRET PER ASME Y14.5 - 1994		MILLIMETERS		
MAX SURFACE ROUGHNESS		SURFACES		MILLIMETERS		
MARKED ONLY		ANGLES		MILLIMETERS		
TITLE		CAGE NUMBER		DRAWING NO.		REV.
HM PRESS-FIT 8-ROW SOCKET CONNECTORS, HM SERIES		D		78-5100-2516-2		A
MODEL		DET		SHT		1 OF 4

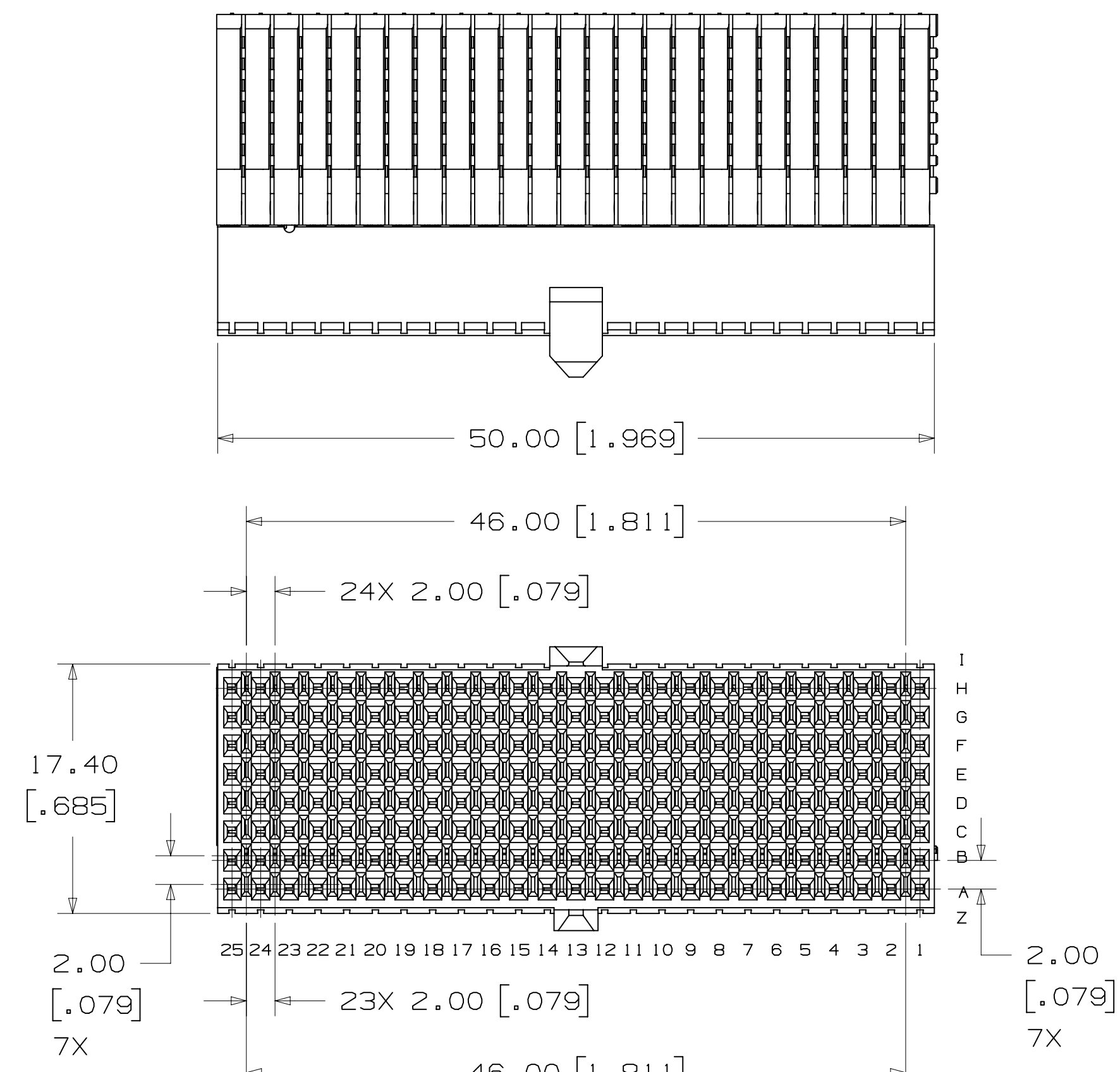
78-5100-2516-2  
DRAWING NUMBER

A

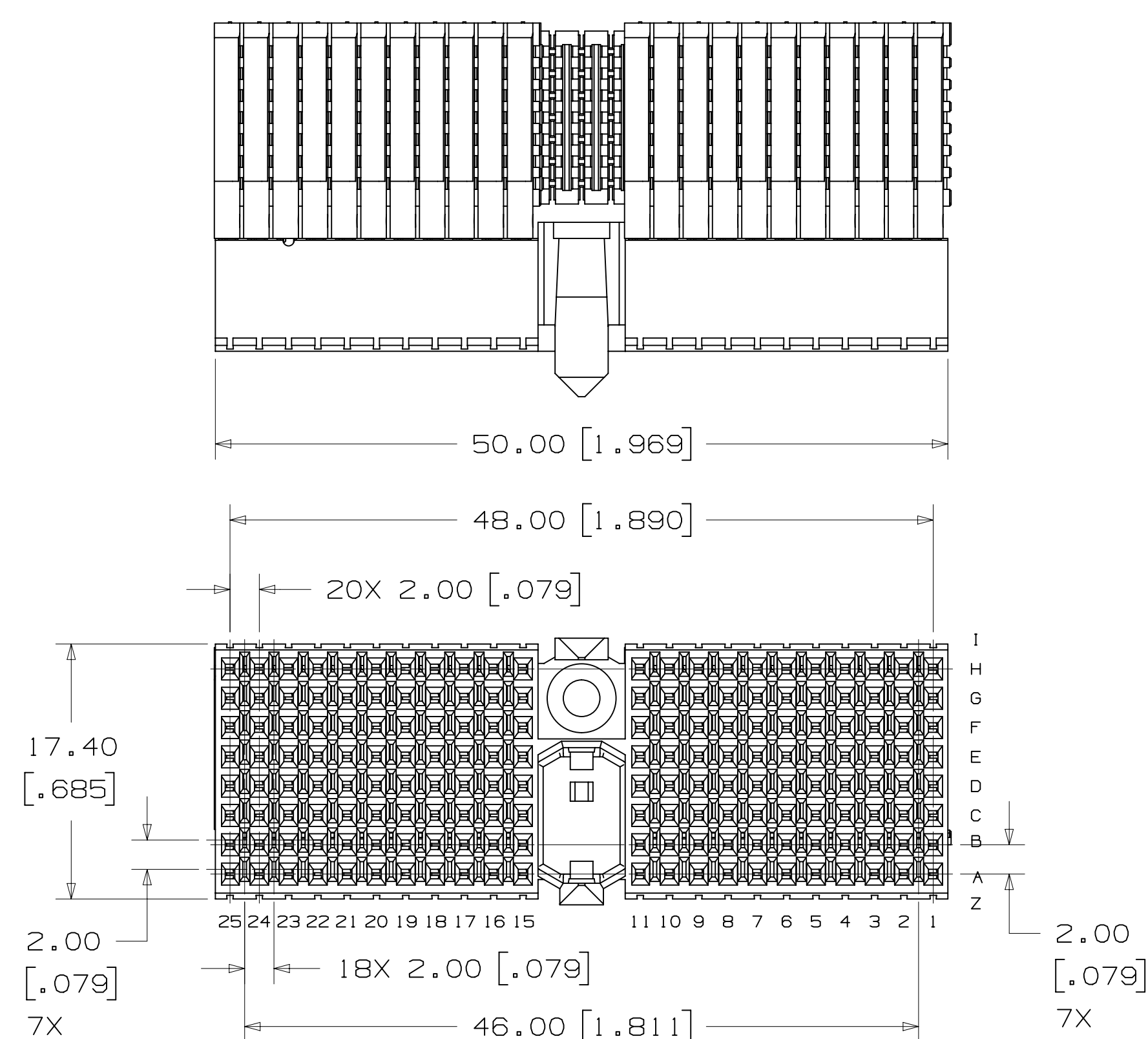
3M™ HM PRESS-FIT SOCKET, 8-ROW, HM SERIES  
FOR HARD METRIC APPLICATIONS



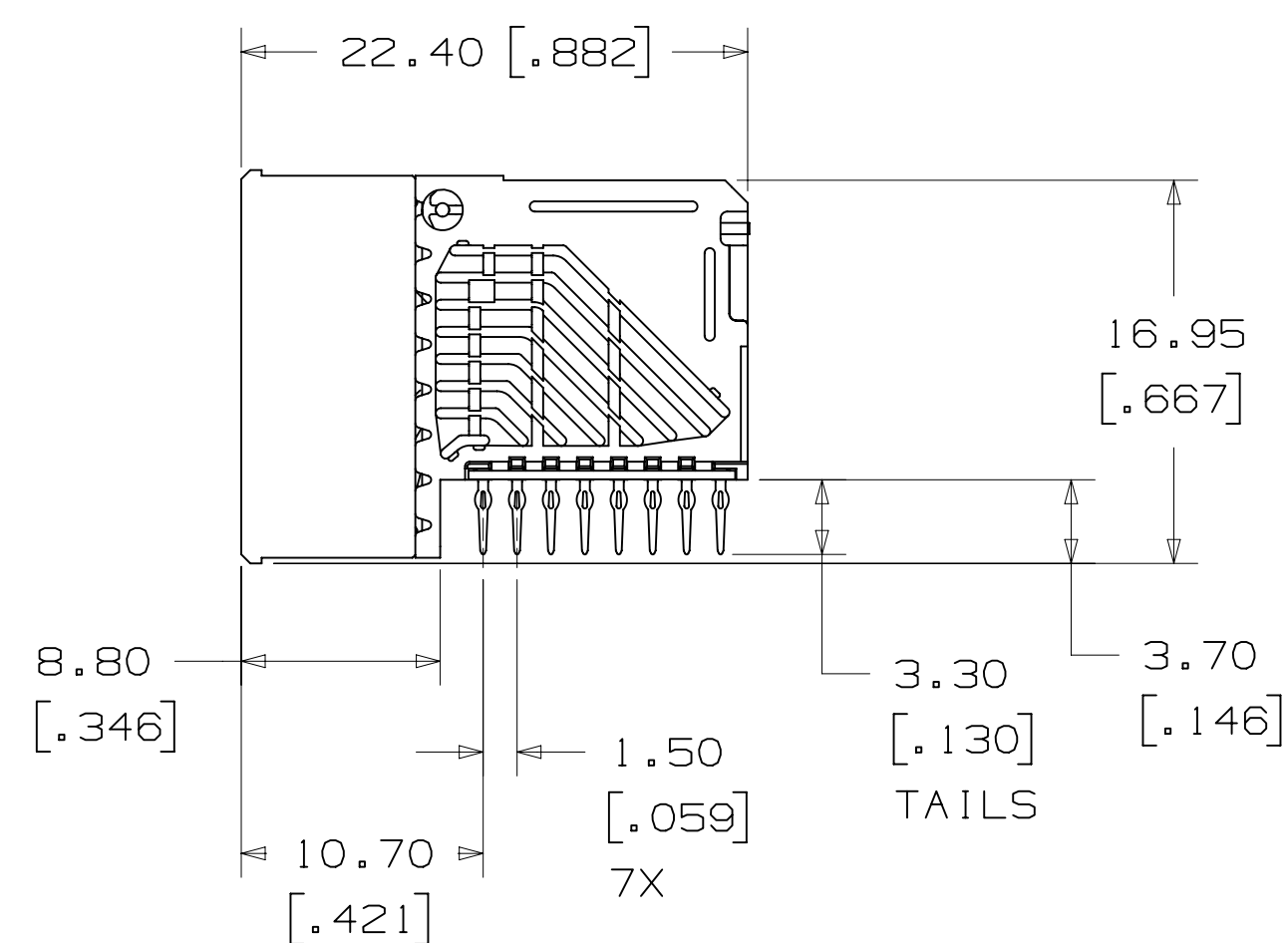
HM-S200E1-8AP1



HM-S200DE1-8AP1



HM-S176D1-8AP1

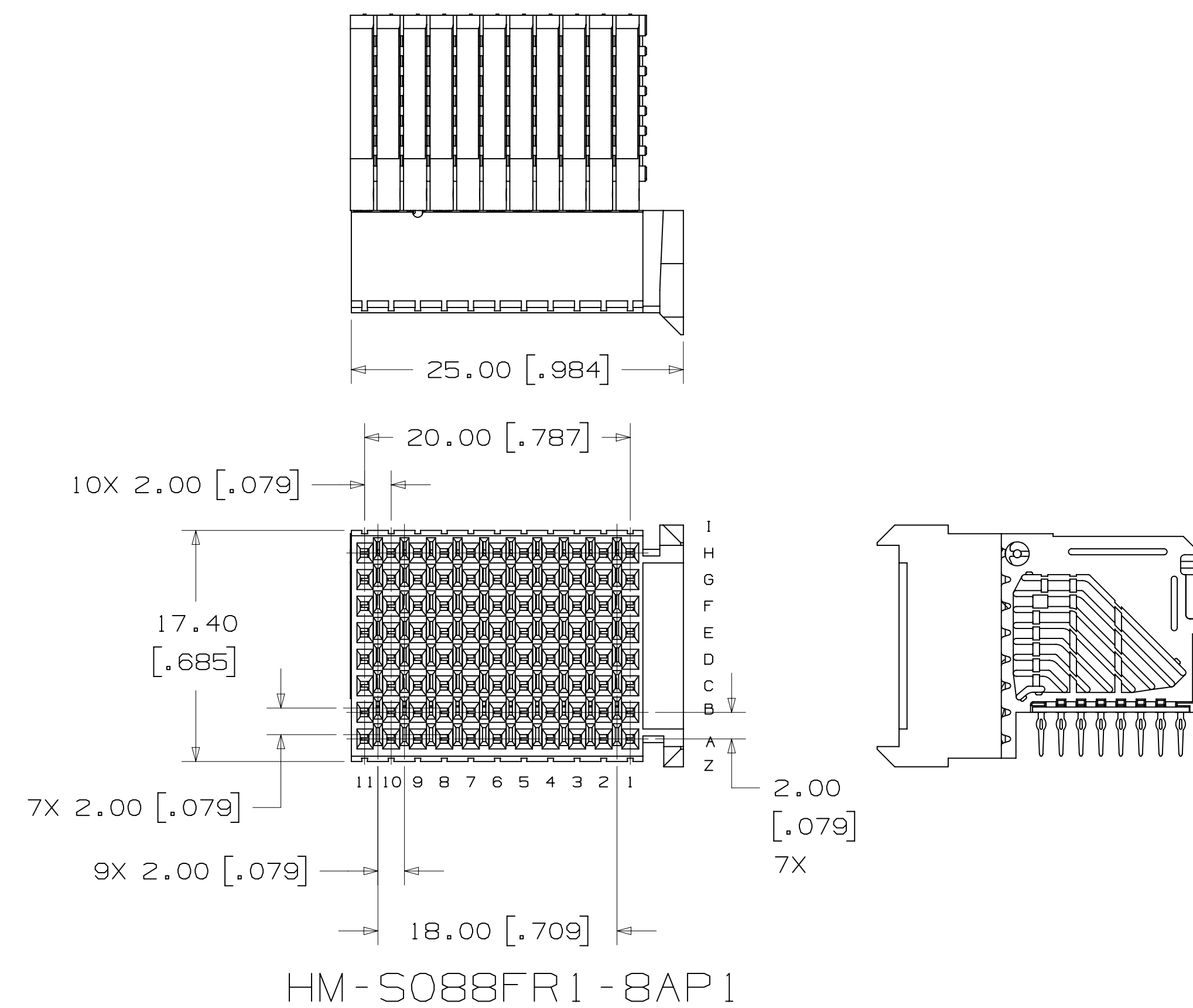
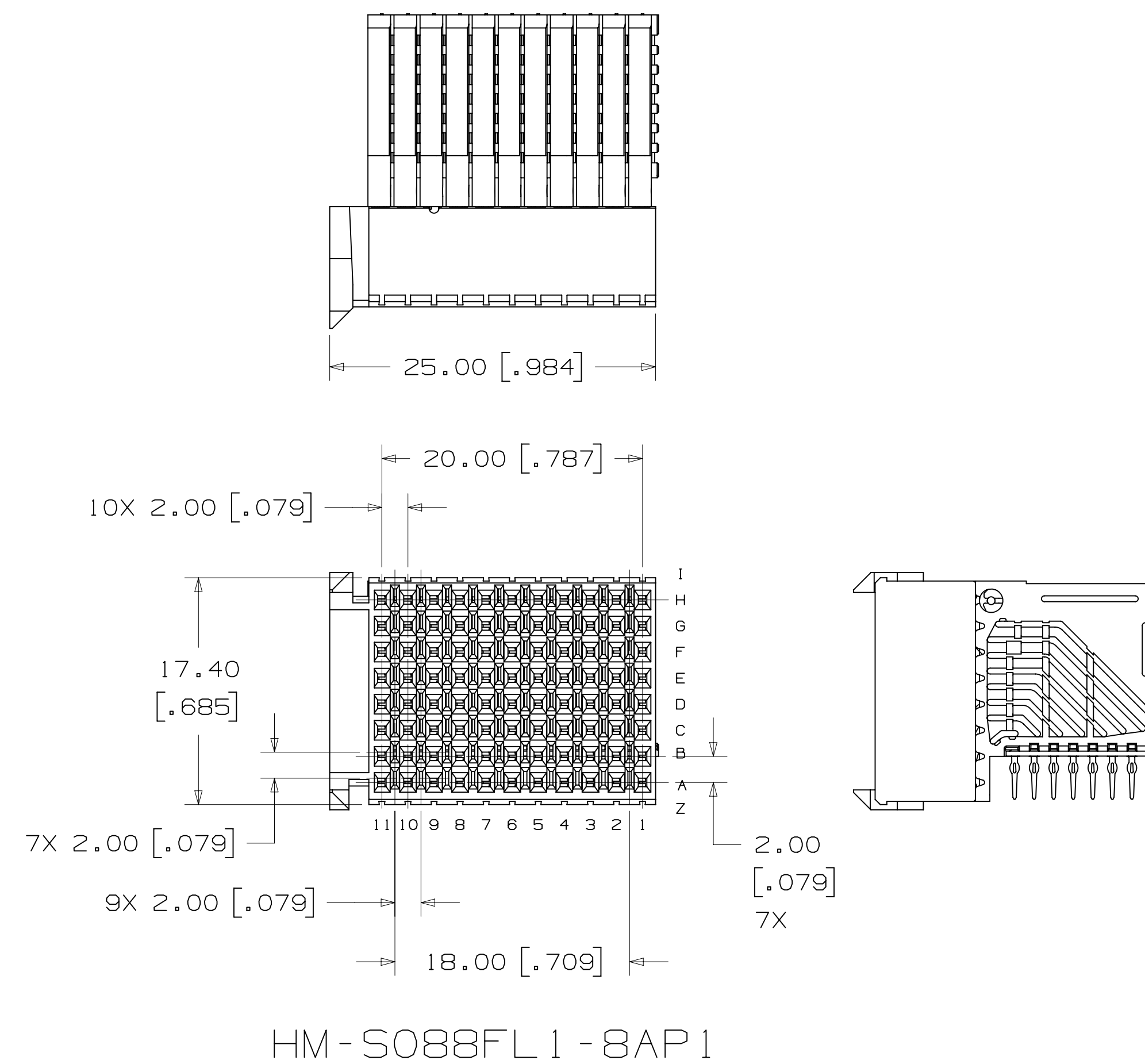
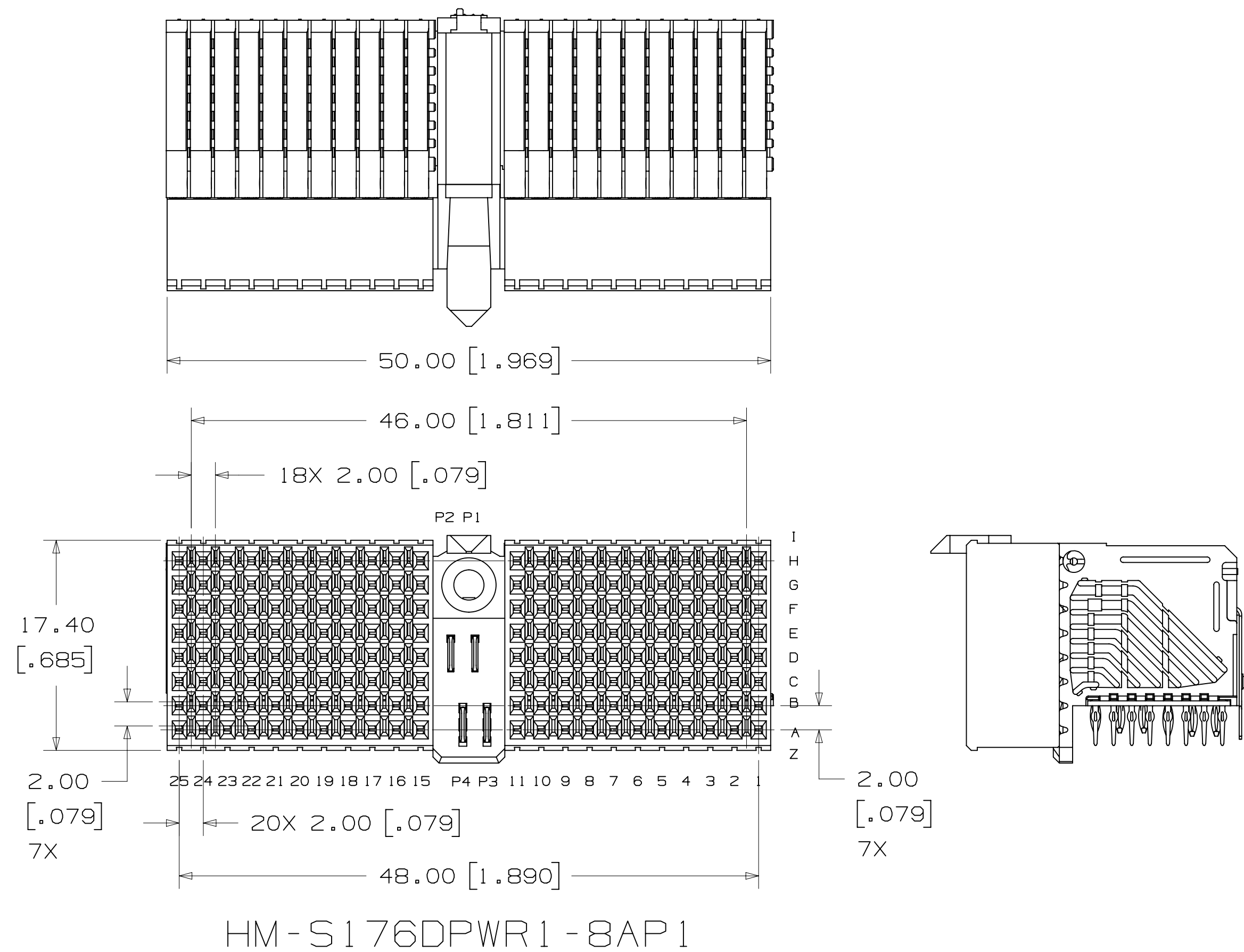


TYPICAL SIDE VIEW DIMENSIONS FOR THE SOCKETS ON THIS DRAWING

DESIGN REFERENCE	NEXT ASSEMBLY	REV	ECO	ISSUE DATE AND DESCRIPTION	DRFT	CHKD
				MAR 23, 2012		
DISTANCE CODES		CHKD	DATE	MFG DATE	DATE	
				MAR 23, 2012		
DIVISION		CHKD	DATE	APPV	DATE	
Interconnect Solutions				T. SUNIGA	MAR 26, 2012	
DO NOT SCALE DRAWING	SCALE 3/1	TOLERANCES EXCEPT AS NOTED				
THIRD ANGLE PROJECTION		INCHES		© 3M COPYRIGHT 2012 This document and the information it contains are 3M property and may not be reproduced or further distributed without 3M permission, or used or disclosed other than for 3M authorized purposes. All rights reserved.		
INTERPRET PER ASME Y14.5 - 1994		MILLIMETERS		TITLE HM PRESS-FIT 8-ROW SOCKET CONNECTORS, HM SERIES		
MAX SURFACE ROUGHNESS		INCHES		CAGE NUMBER D 78-5100-2516-2		
<input checked="" type="checkbox"/> UNFINISHED SURFACES <input type="checkbox"/> MARKED ONLY		MILLIMETERS		MODEL SHT 2 OF 4		
		INCHES .01 ± .01 .005 ± .005 .0000 ±		REV. A		
		MILLIMETERS 0 ± .3 .00 ± .13 .000 ±		DET: [ ] SHT: [ ] YES [ ] NO [ ]		

78-5100-2516-2  
DRAWING NUMBER

3M™ HM PRESS-FIT SOCKET, 8-ROW, HM SERIES  
FOR HARD METRIC APPLICATIONS

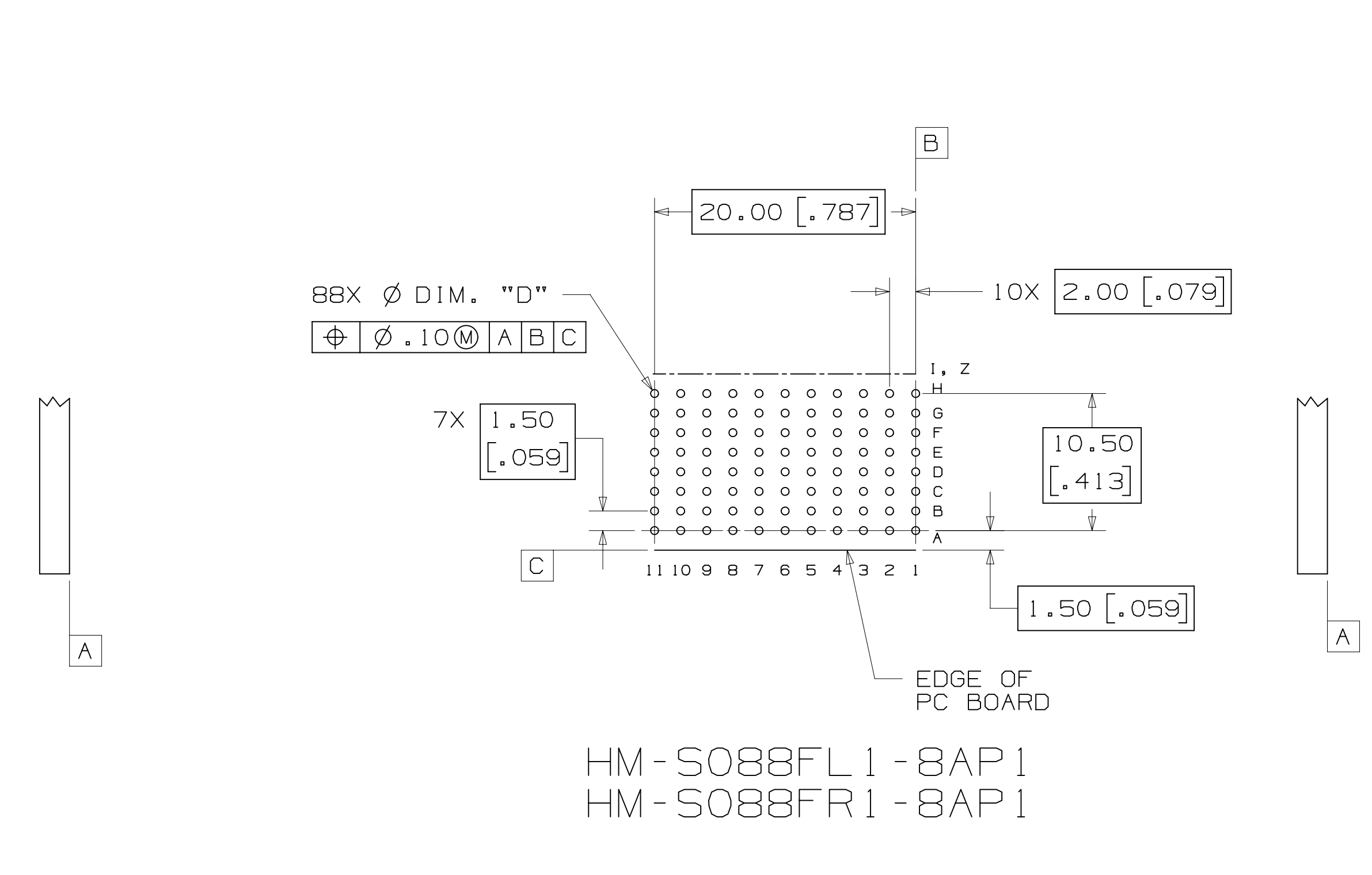
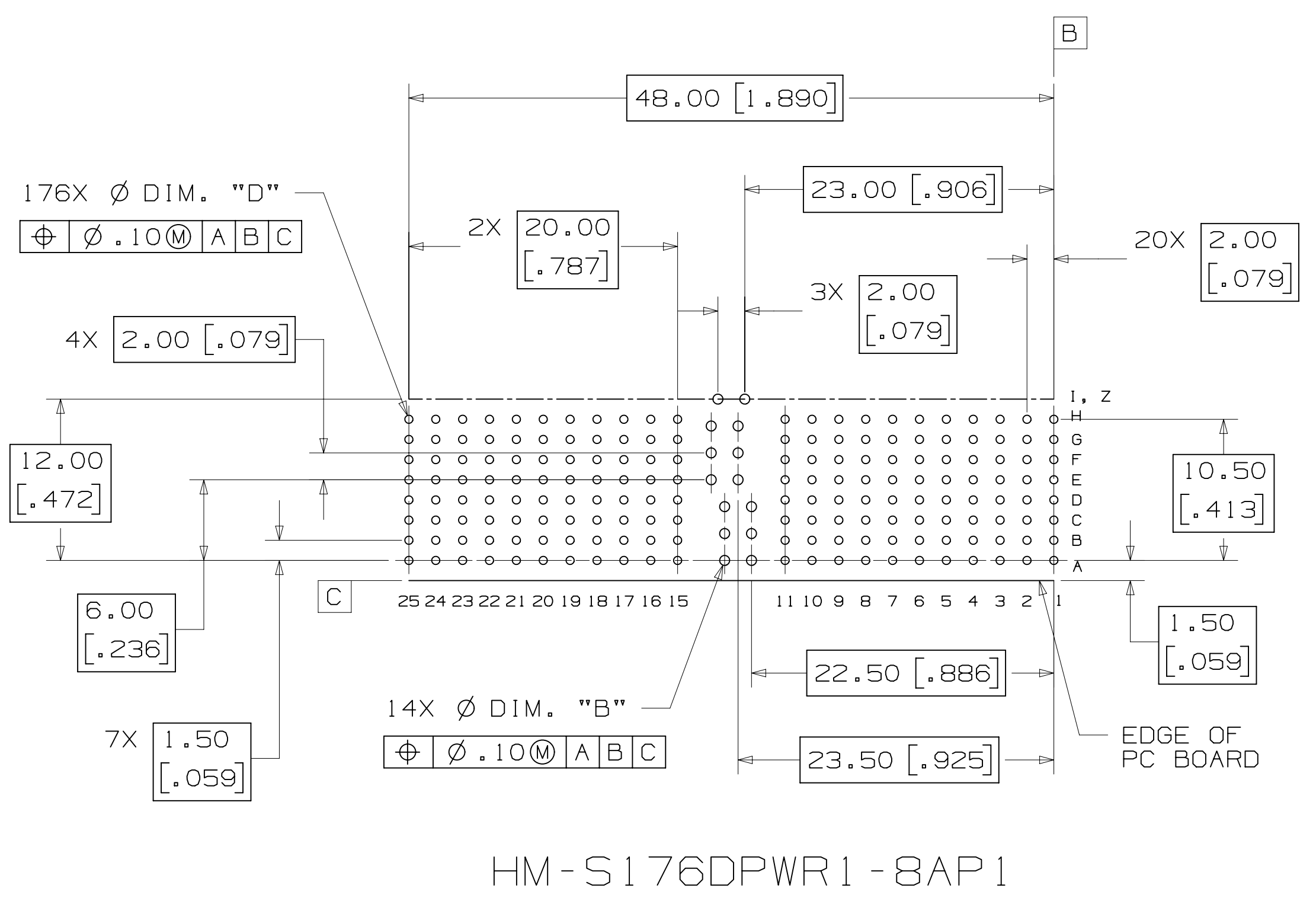
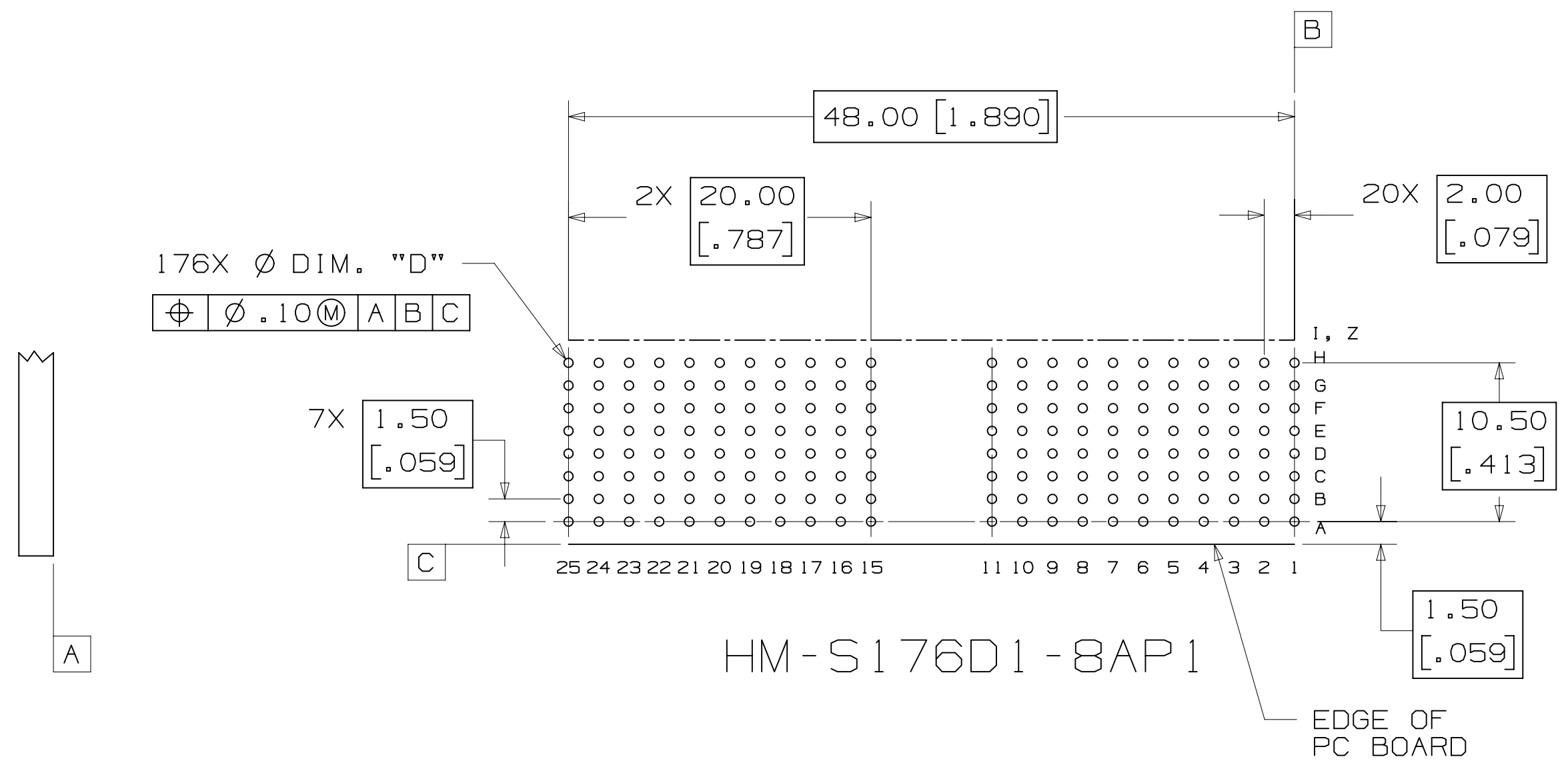
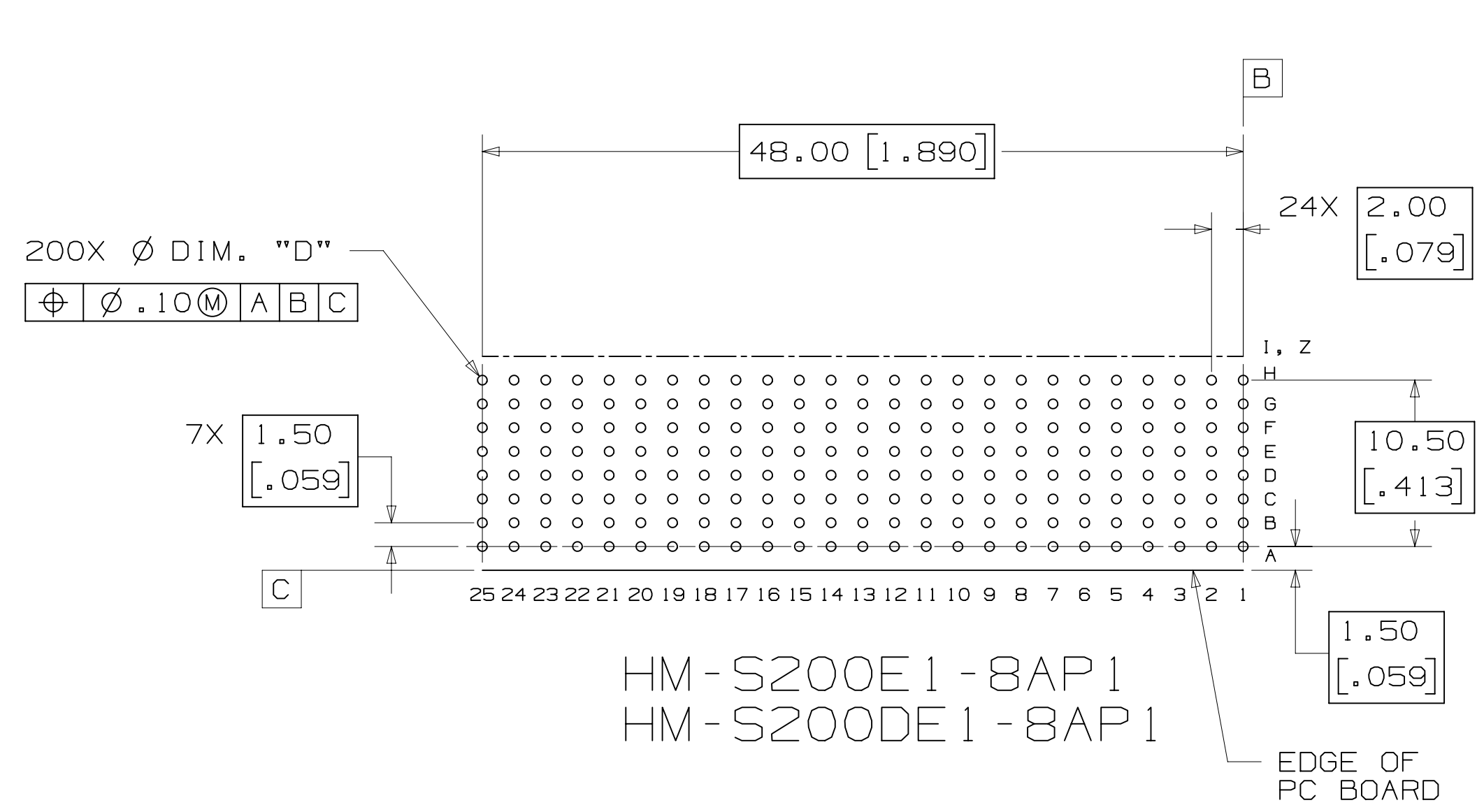


DESIGN REFERENCE	NEXT ASSEMBLY	REV	ECO	ISSUE DATE AND DESCRIPTION	DRFT	CHKD
		A	39778	MAR 23, 2012	JNC	TS
DISTRICT CODES		OFF	CASTIGLIONE	DATE	MFG	DATE
		CHKD		MAR 23, 2012		MAR 26, 2012
DIVISION		DIVISION CODE		APPRV		
Interconnect Solutions		ISD		T. SUNIGA		
DO NOT SCALE DRAWING	SCALE 3/1	TOLERANCES EXCEPT AS NOTED				
THIRD ANGLE PROJECTION		INCHES		© 3M COPYRIGHT 2012 This document and the information it contains are 3M property and may not be reproduced or further distributed without 3M permission, or used or disclosed other than for 3M authorized purposes. All rights reserved.		
INTERPRET PER ASME Y14.5 - 1994		MILLIMETERS		TITLE HM PRESS-FIT 8-ROW SOCKET CONNECTORS, HM SERIES		
MAX SURFACE ROUGHNESS		INCHES		CAGE NUMBER D78-5100-2516-2		
<input checked="" type="checkbox"/> UNMARKED SURFACES <input type="checkbox"/> MARKED ONLY		MILLIMETERS		MODEL IS1S <input type="checkbox"/> YES <input checked="" type="checkbox"/> NO SHT 3 OF 4		

78-5100-2516-2  
DRAWING NUMBER

A

3M™ HM PRESS-FIT SOCKET, 8-ROW, HM SERIES  
FOR HARD METRIC APPLICATIONS



RECOMMENDED PCB MOUNTING HOLE PATTERN  
(VIEWED FROM COMPONENT SIDE)

HOLE PLATING TABLE				
HOLE	(FINISHED HOLE)	Cu THICKNESS	SnPb THICKNESS	DRILLED HOLE DIA.
DIM. "B"	.690-.790 [.0270-.0310]	.025-.045 [.0010-.0018]	.008-.018 [.0003-.0007]	.810-.860 [.0320-.0340]
DIM. "D"	.550-.650 [.0217-.0256]	.025-.045 [.0010-.0018]	.008-.018 [.0003-.0007]	.686-.727 [.0270-.0286]

DESIGN REFERENCE	NEXT ASSEMBLY	REV	ECO	ISSUE DATE AND DESCRIPTION	DRFT	CHKD
				MAR 23, 2012		
DIVISION		DIVISION CODE		DATE		
Interconnect Solutions		ISD		MAR 23, 2012		
DO NOT SCALE DRAWING	SCALE 3/1	TOLERANCES EXCEPT AS NOTED		DATE		
THIRD ANGLE PROJECTION		INCHES		DATE		
INTERPRET PER ASME Y14.5 - 1994		MILLIMETERS		DATE		
MAX SURFACE ROUGHNESS		INCHES		DATE		
SURFACES		MILLIMETERS		DATE		
MARKED ONLY		ANGLES		DATE		
CAGE NUMBER		DRAWING NO.		REV.		
D78-5100-2516-2		A		A		
MODEL		SHT		4 OF 4		

DRAWING NUMBER 78-5100-2516-2

REVISION A

SHT 4 OF 4

## Данный компонент на территории Российской Федерации

### Вы можете приобрести в компании MosChip.

Для оперативного оформления запроса Вам необходимо перейти по данной ссылке:

<http://moschip.ru/get-element>

Вы можете разместить у нас заказ для любого Вашего проекта, будь то серийное производство или разработка единичного прибора.

В нашем ассортименте представлены ведущие мировые производители активных и пассивных электронных компонентов.

Нашей специализацией является поставка электронной компонентной базы двойного назначения, продукции таких производителей как XILINX, Intel (ex.ALTERA), Vicor, Microchip, Texas Instruments, Analog Devices, Mini-Circuits, Amphenol, Glenair.

Сотрудничество с глобальными дистрибьюторами электронных компонентов, предоставляет возможность заказывать и получать с международных складов практически любой перечень компонентов в оптимальные для Вас сроки.

На всех этапах разработки и производства наши партнеры могут получить квалифицированную поддержку опытных инженеров.

Система менеджмента качества компании отвечает требованиям в соответствии с ГОСТ Р ИСО 9001, ГОСТ РВ 0015-002 и ЭС РД 009

### Офис по работе с юридическими лицами:

105318, г.Москва, ул.Щербаковская д.3, офис 1107, 1118, ДЦ «Щербаковский»

Телефон: +7 495 668-12-70 (многоканальный)

Факс: +7 495 668-12-70 (доб.304)

E-mail: [info@moschip.ru](mailto:info@moschip.ru)

Skype отдела продаж:

moschip.ru

moschip.ru\_4

moschip.ru\_6

moschip.ru\_9