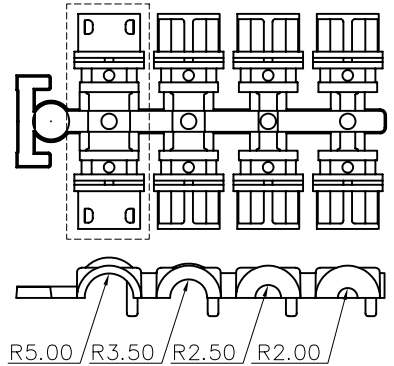
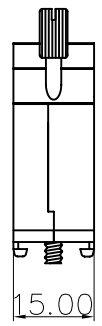
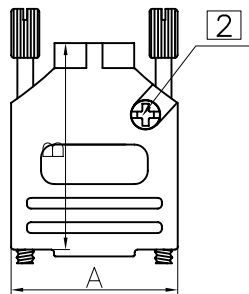
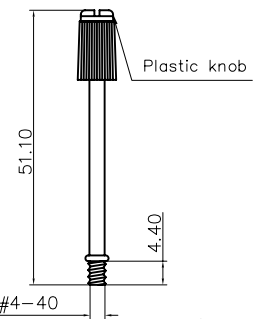
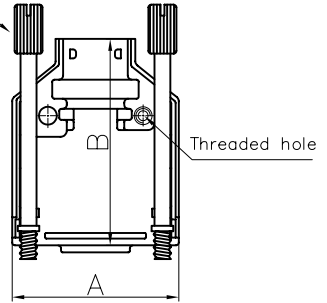
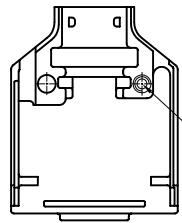


This document is the property of Amphenol Corporation and is delivered on the express condition that it is not to be disclosed, reproduced or used, in whole or in part, for manufacture or sale by anyone other than Amphenol Corporation without its prior consent, & that no right is granted to disclose or to use any information in this document.

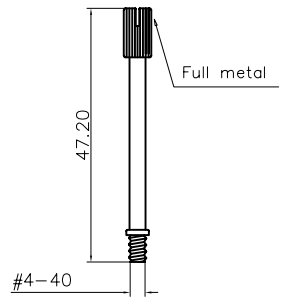


Cable strain relief

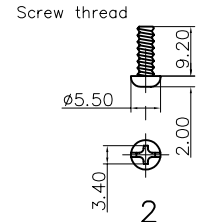


1

Thumb screw



Full metal



2

Screw

Part Number	A	B	Part Number
L17D TZK 09K FM T	31 (1.220")	38.3 (1.508")	L17D TZK 09K T
L17D TZK 15K FM T	39.5 (1.555")	40.5 (1.594")	L17D TZK 15K T
L17D TZK 25K FM T	53.4 (2.102")	48.2 (1.897")	L17D TZK 25K T
L17D TZK 37K FM T	70 (2.755")	52.2 (2.055")	L17D TZK 37K T

Customer drawing

REVISIONS				
SYM	ECN	DESCRIPTION	DATE	APPROVED
1			06/06/08	

D-SUB TECHNICAL DATA

Material and finish:
 Shell: die-cast, nickel plated
 Thumb screws: with metal knob, nickel plated
 Screws: Steel, blue chromate plating, Philips head
 Cable strain relief: Plastic UL94 V-0
 Temperature range: -40°C to 120°C
 Cable diameter: 4.0-13.0mm
 Attenuation factor: >40 dB between 30 MHz and 1 GHz

PRODUCT CODE

L 17DTZK XX K XX T

RoHS Compliance	T: with threaded backshell, not self-tapering type
Series 17DTZK:180°	
Position: 9,15,25,37	FM: Full steel metal screwlock Blank: plastic knob on screwlock
Bulk Package	

UNLESS OTHERWISE SPECIFIED TOLERANCES		APPROVAL		DATE
U.S.	METRIC	DRAWN	Sunny Li	06/06/08
.X +/-	0.50	CHECKED	kk.wang	06/06/08
.XX +/-	0.30	CHECKED		
.XXX +/-	0.20			
FRACTIONS +/-	2'			
ANGLES +/-				
FOR MATERIALS AND FINISHES SEE NOTES		DRAWING FILE :		
REMOVE SHARP EDGES		ANGLE OF PROJECTION		
DIMENSIONS				
U.S.	INCHES			
METRIC	MM			

Amphenol®

TITLE
Metal Hood DTZK series

SIZE	DRAWING NO.	REV.
A4	C L17D TZK XXX XX T	1
SCALE	NONE	SHEET 1 OF 4

This document is the property of Amphenol Corporation and is delivered on the express condition that it is not to be disclosed, reproduced or used, in whole or in part, for manufacture or sale by anyone other than Amphenol Corporation without its prior consent, & that no right is granted to disclose or to use any information in this document.

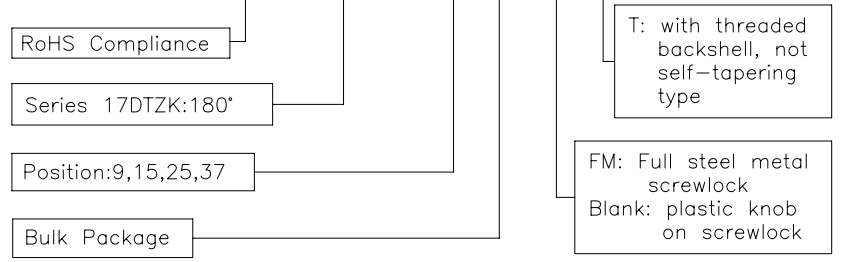
REVISIONS				
SYM	ECN	DESCRIPTION	DATE	APPROVED
1			06/06/08	

D-SUB TECHNICAL DATA

Material and finish:
 Shell: die-cast, nickel plated
 Thumb screws: with metal knob, nickel plated
 Screws: Steel, blue chromate plating, Philips head
 Cable strain relief: Plastic UL94 V-0
 Temperature range: -40°C to 120°C
 Cable diameter: 4.0-13.0mm
 Attenuation factor: >40 dB between 30 MHz and 1 GHz

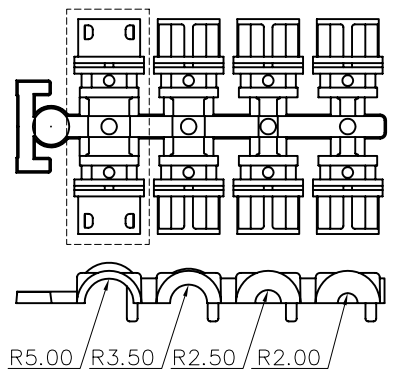
PRODUCT CODE

L 17DTZK XX K XX T

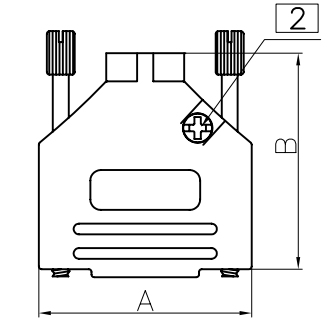


UNLESS OTHERWISE SPECIFIED TOLERANCES U.S. METRIC .X +/- 0.50 .XX +/- 0.30 .XXX +/- 0.20 FRACTIONS +/- ANGLES +/- 2° FOR MATERIALS AND FINISHES SEE NOTES REMOVE SHARP EDGES DIMENSIONS U.S. INCHES METRIC MM	APPROVAL DRAWN Sunny Li 06/06/08 CHECKED Hk.wang 06/06/08 CHECKED		DATE 06/06/08
	DRAWING FILE :		
	ANGLE OF PROJECTION 		
	SCALE NONE SHEET 2 OF 4		

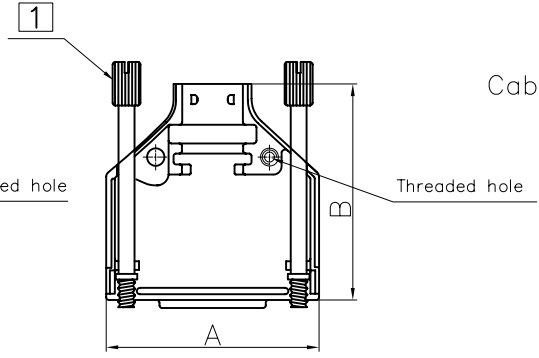
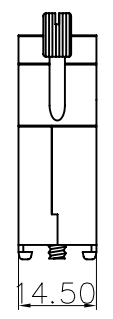
Amphenol® Metal Hood DTZK series		
SIZE DRAWING NO. A4 C L17D TZK XXX XX T	REV. 1	



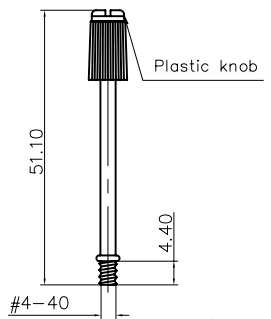
Cable strain relief



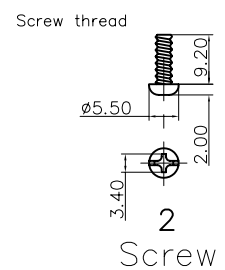
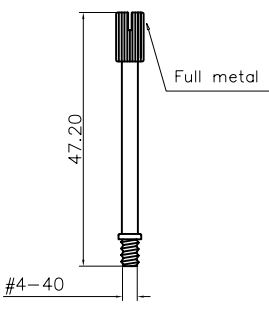
L17D TZK 15K XX T



L17D TZK 15K XX T



Thumb screw



Screw

Part Number	A	B	Part Number
L17D TZK 09K FM T	31 (1.220")	38.3 (1.508")	L17D TZK 09K T
L17D TZK 15K FM T	39.5 (1.555")	40.5 (1.594")	L17D TZK 15K T
L17D TZK 25K FM T	53.4 (2.102")	48.2 (1.897")	L17D TZK 25K T
L17D TZK 37K FM T	70 (2.755")	52.2 (2.055")	L17D TZK 37K T

Customer drawing

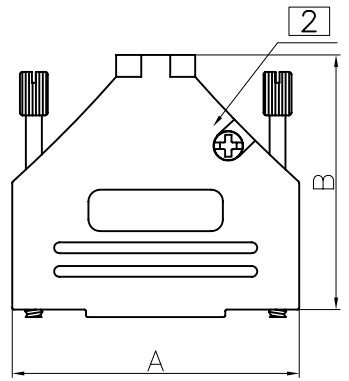
This document is the property of Amphenol Corporation and is delivered on the express condition that it is not to be disclosed, reproduced or used, in whole or in part, for manufacture or sale by anyone other than Amphenol Corporation without its prior consent, & that no right is granted to disclose or to use any information in this document.

REVISIONS

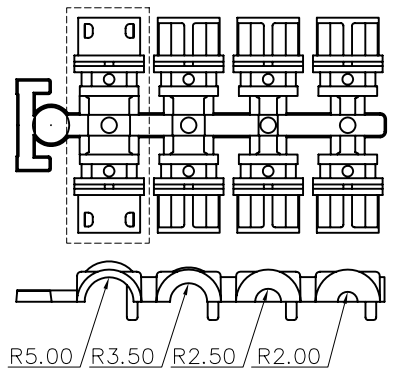
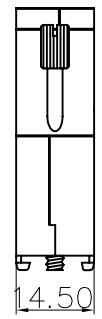
SYM	ECN	DESCRIPTION	DATE	APPROVED
1			06/06/08	

D-SUB TECHNICAL DATA

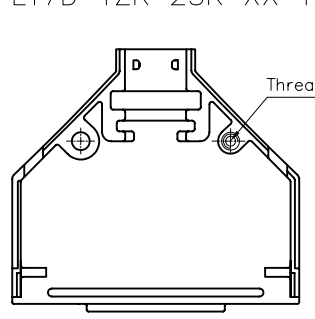
Material and finish:
 Shell: die-cast, nickel plated
 Thumb screws: with metal knob, nickel plated
 Screws: Steel, blue chromate plating, Philips head
 Cable strain relief: Plastic UL94 V-0
 Temperature range: -40°C to 120°C
 Cable diameter: 4.0-13.0mm
 Attenuation factor: >40 dB between 30 MHz and 1 GHz



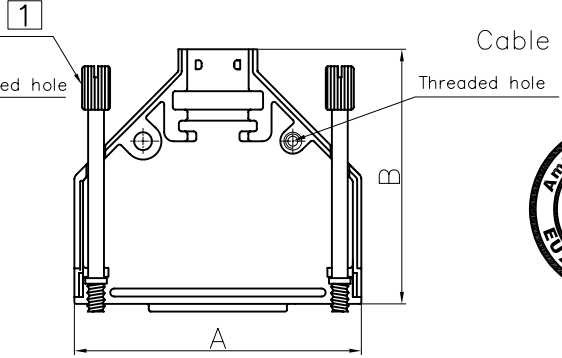
L17D TZK 25K XX T



Cable strain relief

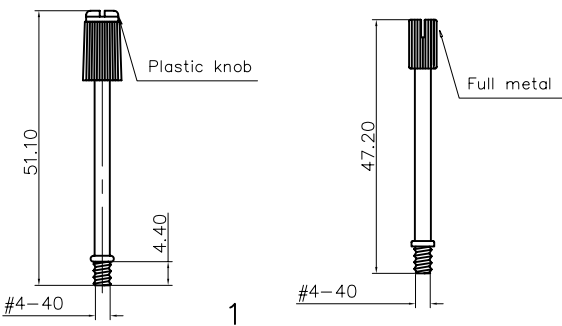
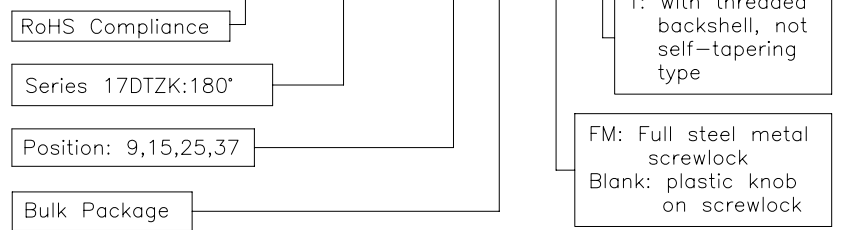


L17D TZK 25K XX T



PRODUCT CODE

L 17DTZK XX K XX T



Thumb screw

Screw

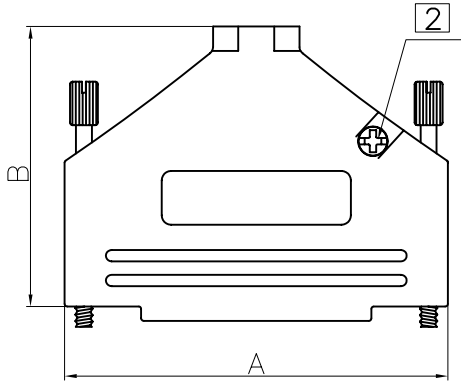
Part Number	A	B	Part Number
L17D TZK 09K FM T	31 (1.220")	38.3 (1.508")	L17D TZK 09K T
L17D TZK 15K FM T	39.5 (1.555")	40.5 (1.594")	L17D TZK 15K T
L17D TZK 25K FM T	53.4 (2.102")	48.2 (1.897")	L17D TZK 25K T
L17D TZK 37K FM T	70 (2.755")	52.2 (2.055")	L17D TZK 37K T

Customer drawing

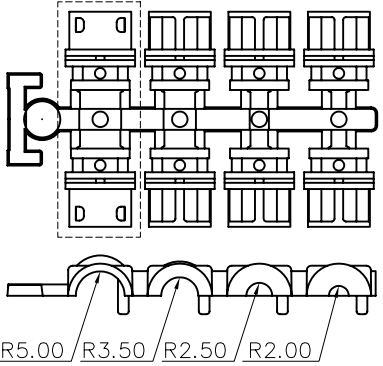
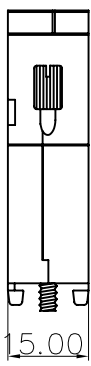
UNLESS OTHERWISE SPECIFIED TOLERANCES		APPROVAL		DATE
U.S.	METRIC	DRAWN	Sunny Li	06/06/08
.X	+/- 0.50	CHECKED	kk.wang	06/06/08
.XX	+/- 0.30	CHECKED		
.XXX	+/- 0.20			
FRACTIONS	+/- 2'			
ANGLES	+/-			
FOR MATERIALS AND FINISHES SEE NOTES		DRAWING FILE :		
REMOVE SHARP EDGES		ANGLE OF PROJECTION		
DIMENSIONS				
U.S.	INCHES			
METRIC	MM			

Amphenol®		
TITLE Metal Hood DTZK series		
SIZE	DRAWING NO.	REV.
A4	C L17D TZK XXX XX T	1
SCALE	NONE	SHEET 3 OF 4

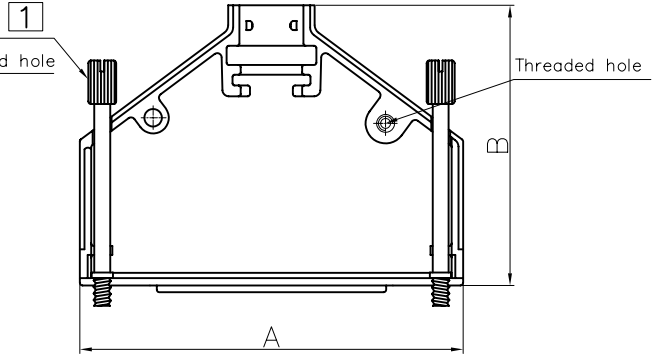
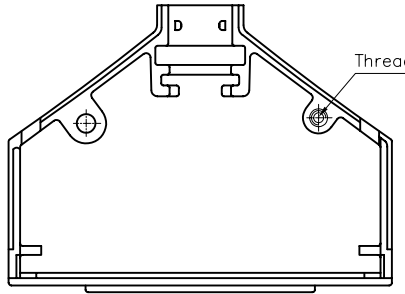
This document is the property of Amphenol Corporation and is delivered on the express condition that it is not to be disclosed, reproduced or used, in whole or in part, for manufacture or sale by anyone other than Amphenol Corporation without its prior consent, & that no right is granted to disclose or to use any information in this document.



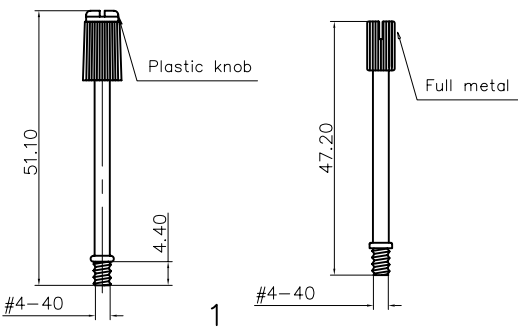
L17D TZK 37K XX T



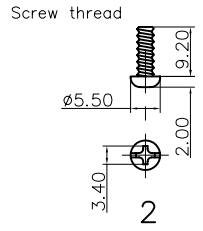
Cable strain relief



L17D TZK 37K XX T



Thumb screw



Screw



Customer drawing

Part Number	A	B	Part Number
L17D TZK 09K FM T	31 (1.220")	38.3 (1.508")	L17D TZK 09K T
L17D TZK 15K FM T	39.5 (1.555")	40.5 (1.594")	L17D TZK 15K T
L17D TZK 25K FM T	53.4 (2.102")	48.2 (1.897")	L17D TZK 25K T
L17D TZK 37K FM T	70 (2.755")	52.2 (2.055")	L17D TZK 37K T

REVISIONS				
SYM	ECN	DESCRIPTION	DATE	APPROVED
1			06/06/08	

D-SUB TECHNICAL DATA

Material and finish:
 Shell: die-cast, nickel plated
 Thumb screws: with metal knob, nickel plated
 Screws: Steel, blue chromate plating, Philips head
 Cable strain relief: Plastic UL94 V-0
 Temperature range: -40°C to 120°C
 Cable diameter: 4.0-13.0mm
 Attenuation factor: >40 dB between 30 MHz and 1 GHz

PRODUCT CODE

L 17DTZK XX K XX T

RoHS Compliance	T: with threaded backshell, not self-tapering type
Series 17DTZK:180°	
Position:9,15,25,37	
Bulk Package	FM: Full steel metal screwlock Blank: plastic knob on screwlock

UNLESS OTHERWISE SPECIFIED TOLERANCES		APPROVAL		DATE
U.S.	METRIC	DRAWN	Sunny-Li	06/06/08
.X	+/- 0.50	CHECKED	kk.wang	06/06/08
.XX	+/- 0.30	CHECKED		
.XXX	+/- 0.20			
FRACTIONS	+/-			
ANGLES	+/-			
FOR MATERIALS AND FINISHES SEE NOTES		DRAWING FILE :		
REMOVE SHARP EDGES		ANGLE OF PROJECTION		
DIMENSIONS				
U.S.	INCHES			
METRIC	MM			

Amphenol®

TITLE
Metal Hood DTZK series

SIZE DRAWING NO.
A4 C L17D TZK XXK XX T

SCALE NONE SHEET 4 OF 4

REV. 1

Данный компонент на территории Российской Федерации

Вы можете приобрести в компании MosChip.

Для оперативного оформления запроса Вам необходимо перейти по данной ссылке:

<http://moschip.ru/get-element>

Вы можете разместить у нас заказ для любого Вашего проекта, будь то серийное производство или разработка единичного прибора.

В нашем ассортименте представлены ведущие мировые производители активных и пассивных электронных компонентов.

Нашей специализацией является поставка электронной компонентной базы двойного назначения, продукции таких производителей как XILINX, Intel (ex.ALTERA), Vicor, Microchip, Texas Instruments, Analog Devices, Mini-Circuits, Amphenol, Glenair.

Сотрудничество с глобальными дистрибьюторами электронных компонентов, предоставляет возможность заказывать и получать с международных складов практически любой перечень компонентов в оптимальные для Вас сроки.

На всех этапах разработки и производства наши партнеры могут получить квалифицированную поддержку опытных инженеров.

Система менеджмента качества компании отвечает требованиям в соответствии с ГОСТ Р ИСО 9001, ГОСТ РВ 0015-002 и ЭС РД 009

Офис по работе с юридическими лицами:

105318, г.Москва, ул.Щербаковская д.3, офис 1107, 1118, ДЦ «Щербаковский»

Телефон: +7 495 668-12-70 (многоканальный)

Факс: +7 495 668-12-70 (доб.304)

E-mail: info@moschip.ru

Skype отдела продаж:

moschip.ru

moschip.ru_4

moschip.ru_6

moschip.ru_9