

## ADG608/ADG609

### FEATURES

- +3 V, +5 V,  $\pm 5$  V Power Supplies
- $V_{SS}$  to  $V_{DD}$  Analog Signal Range
- Low On Resistance (30  $\Omega$  max)
- Fast Switching Times
  - $t_{ON}$  75 ns max
  - $t_{OFF}$  45 ns max
- Low Power Dissipation (1.5  $\mu$ W max)
- Break-Before-Make Construction
- ESD > 5000 V as per Military Standard 3015.7
- TTL and CMOS Compatible Inputs

### APPLICATIONS

- Automatic Test Equipment
- Data Acquisition Systems
- Communication Systems
- Avionics and Military Systems
- Microprocessor Controlled Analog Systems
- Medical Instrumentation
- Battery Powered Instruments
- Remote Powered Equipment
- Compatible with  $\pm 5$  V DACs and ADCs such as AD7840/8, AD7870/1/2/4/5/6/8

### GENERAL DESCRIPTION

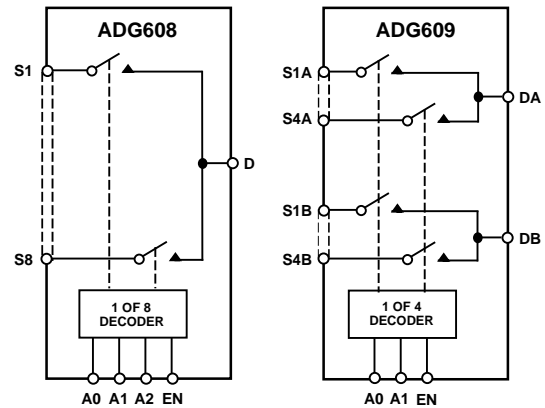
The ADG608 and ADG609 are monolithic CMOS analog multiplexers comprising eight single channels and four differential channels respectively, fully specified for  $\pm 5$  V, +5 V and +3 V power supplies. The ADG608 switches one of eight inputs to a common output as determined by the 3-bit binary address lines A0, A1 and A2. The ADG609 switches one of four differential inputs to a common differential output as determined by the 2-bit binary address lines A0 and A1. An EN input on both devices is used to enable or disable the device. When disabled, all channels are switched OFF. All the address and enable inputs are TTL compatible over the full specified operating temperature range, making the parts suitable for bus-controlled systems such as data acquisition systems, process controls, avionics and ATEs since the TTL compatible address inputs simplify the digital interface design and reduce the board space requirements.

The ADG608/ADG609 are designed on an enhanced LC<sup>2</sup>MOS process that provides low power dissipation yet gives high switching speed and low on resistance. Each channel conducts equally well in both directions when ON and has an input signal range which extends to the supplies. In the OFF condition, signal levels up to the supplies are blocked. All channels exhibit break-before-make switching action preventing momentary shorting when switching channels. Inherent in the design is low charge injection for minimum transients when switching the digital inputs.

### REV. A

Information furnished by Analog Devices is believed to be accurate and reliable. However, no responsibility is assumed by Analog Devices for its use, nor for any infringements of patents or other rights of third parties which may result from its use. No license is granted by implication or otherwise under any patent or patent rights of Analog Devices.

### FUNCTIONAL BLOCK DIAGRAMS



The ability to operate from single +3 V, +5 V or  $\pm 5$  V bipolar supplies makes the ADG608 and ADG609 perfect for use in battery operated instruments and with the new generation of DACs and ADCs from Analog Devices. The use of 5 V supplies and reduced operating currents gives much lower power dissipation than devices operating from  $\pm 15$  V supplies.

### PRODUCT HIGHLIGHTS

1. Extended Signal Range  
The ADG608/ADG609 are fabricated on an enhanced LC<sup>2</sup>MOS process giving an increased signal range which extends to the supplies.
2. Low Power Dissipation
3. Low  $R_{ON}$
4. Fast Switching Times
5. Break-Before-Make Switching  
Switches are guaranteed break-before-make so that input signals are protected against momentary shorting.
6. Single/Dual Supply Operation

### ORDERING GUIDE

| Model     | Temperature Range | Package Option* |
|-----------|-------------------|-----------------|
| ADG608BN  | -40°C to +85°C    | N-16            |
| ADG608BR  | -40°C to +85°C    | R-16A           |
| ADG608BRU | -40°C to +85°C    | RU-16           |
| ADG608TRU | -55°C to +125°C   | RU-16           |
| ADG609BN  | -40°C to +85°C    | N-16            |
| ADG609BR  | -40°C to +85°C    | R-16A           |
| ADG609BRU | -40°C to +85°C    | RU-16           |

\*N = Plastic DIP; RU = Thin Shrink Small Outline Package (TSSOP); R = 0.15" Small Outline IC (SOIC).

© Analog Devices, Inc., 1995

One Technology Way, P.O. Box 9106, Norwood, MA 02062-9106, U.S.A.  
Tel: 617/329-4700 Fax: 617/326-8703

# ADG608/ADG609–SPECIFICATIONS

DUAL SUPPLY<sup>1</sup> ( $V_{DD} = +5\text{ V} \pm 10\%$ ,  $V_{SS} = -5\text{ V} \pm 10\%$ ,  $GND = 0\text{ V}$ , unless otherwise noted)

| Parameter                                  | B Version               |                    | T Version               |                     | Units                                  | Test Conditions/<br>Comments  |
|--|-------------------------|--------------------|-------------------------|---------------------|--|---|
|  | +25°C                   | -40°C to<br>+85°C  | +25°C                   | -55°C to<br>+125°C  |  |   |
| <b>ANALOG SWITCH</b>                       |                         |                    |                         |                     |  |   |
| Analog Signal Range                        | $V_{SS}$ to $V_{DD}$    |                    | $V_{SS}$ to $V_{DD}$    |                     | V                                      |   |
| $R_{ON}$                                   | 22<br>30                |                    | 22<br>30                | 40                  | $\Omega$ typ<br>$\Omega$ max           | $-3.5\text{ V} \leq V_S \leq +3.5\text{ V}$ , $I_S = -1\text{ mA}$ ;<br>$V_{DD} = +4.5\text{ V}$ , $V_{SS} = -4.5\text{ V}$ ;<br>Test Circuit 1 |
| $\Delta R_{ON}$                            | 5                       | 6                  | 5                       | 6                   | $\Omega$ max                           | $-3\text{ V} \leq V_S \leq +3\text{ V}$ , $I_{DS} = -1\text{ mA}$ ;<br>$V_{DD} = +5\text{ V}$ , $V_{SS} = -5\text{ V}$                          |
| $R_{ON}$ Match                             | 2                       | 3                  | 2                       | 3                   | $\Omega$ max                           | $V_S = 0\text{ V}$ , $I_{DS} = -1\text{ mA}$ ;<br>$V_{DD} = +5\text{ V}$ , $V_{SS} = -5\text{ V}$   |
| <b>LEAKAGE CURRENTS</b>                    |                         |                    |                         |                     |  |   |
| Source OFF Leakage $I_S$ (OFF)             | $\pm 0.05$<br>$\pm 0.5$ | $\pm 2$            | $\pm 0.05$<br>$\pm 0.5$ | $\pm 10$            | nA typ<br>nA max                       | $V_{DD} = +5.5\text{ V}$ , $V_{SS} = -5.5\text{ V}$<br>$V_D = \pm 4.5\text{ V}$ , $V_S = \mp 4.5\text{ V}$ ;<br>Test Circuit 2                  |
| Drain OFF Leakage $I_D$ (OFF)              | $\pm 0.05$<br>$\pm 0.5$ | $\pm 2$<br>$\pm 1$ | $\pm 0.05$<br>$\pm 0.5$ | $\pm 10$<br>$\pm 5$ | nA typ<br>nA max<br>nA max             | $V_D = \pm 4.5\text{ V}$ , $V_S = \mp 4.5\text{ V}$ ;<br>Test Circuit 3   |
| Channel ON Leakage $I_D$ , $I_S$ (ON)      | $\pm 0.05$<br>$\pm 0.5$ | $\pm 3$            | $\pm 0.05$<br>$\pm 0.5$ | $\pm 20$            | nA typ<br>nA max                       | $V_S = V_D = \pm 4.5\text{ V}$ ;<br>Test Circuit 4  |
| ADG608                                     | $\pm 0.5$               | $\pm 1.5$          | $\pm 0.5$               | $\pm 10$            | nA max                                 |   |
| ADG609                                     | $\pm 0.5$               | $\pm 1.5$          | $\pm 0.5$               | $\pm 10$            | nA max                                 |   |
| <b>DIGITAL INPUTS</b>                      |                         |                    |                         |                     |  |   |
| Input High Voltage, $V_{INH}$              | 2.4                     |                    | 2.4                     |                     | V min                                  |   |
| Input Low Voltage, $V_{INL}$               | 0.8                     |                    | 0.8                     |                     | V max                                  |   |
| Input Current<br>$I_{INL}$ or $I_{INH}$    | $\pm 1$                 |                    | $\pm 1$                 |                     | $\mu\text{A}$ max                      | $V_{IN} = 0$ or $V_{DD}$  |
| $C_{IN}$ , Digital Input Capacitance       | 5                       |                    | 5                       |                     | pF typ                                 |   |
| <b>DYNAMIC CHARACTERISTICS<sup>2</sup></b> |                         |                    |                         |                     |  |   |
| $t_{TRANSITION}$                           | 50<br>75                | 90                 | 50<br>75                | 100                 | ns typ<br>ns max                       | $R_L = 300\ \Omega$ , $C_L = 35\text{ pF}$ ;<br>$V_{S1} = \pm 3.5\text{ V}$ , $V_{S8} = \mp 3.5\text{ V}$ ;<br>Test Circuit 5                   |
| $t_{OPEN}$                                 | 10                      |                    | 10                      |                     | ns min                                 | $R_L = 300\ \Omega$ , $C_L = 35\text{ pF}$ ;<br>$V_S = +3.5\text{ V}$ ; Test Circuit 6  |
| $t_{ON}$ (EN)                              | 50<br>75                | 90                 | 50<br>75                | 100                 | ns typ<br>ns max                       | $R_L = 300\ \Omega$ , $C_L = 35\text{ pF}$ ;<br>$V_S = +3.5\text{ V}$ ; Test Circuit 7  |
| $t_{OFF}$ (EN)                             | 30<br>45                | 60                 | 30<br>45                | 75                  | ns typ<br>ns max                       | $R_L = 300\ \Omega$ , $C_L = 35\text{ pF}$ ;<br>$V_S = +3.5\text{ V}$ ; Test Circuit 7  |
| Charge Injection                           | 6                       |                    | 6                       |                     | pC typ                                 | $V_S = 0\text{ V}$ , $R_S = 0\ \Omega$ , $C_L = 1\text{ nF}$ ;<br>Test Circuit 8  |
| OFF Isolation                              | 85                      |                    | 85                      |                     | dB typ                                 | $R_L = 1\text{ k}\Omega$ , $C_L = 15\text{ pF}$ , $f = 100\text{ kHz}$ ;<br>$V_S = 3\text{ V rms}$ ; Test Circuit 9                             |
| Channel-to-Channel Crosstalk               | 85                      |                    | 85                      |                     | dB typ                                 | $R_L = 1\text{ k}\Omega$ , $C_L = 15\text{ pF}$ , $f = 100\text{ kHz}$ ;<br>Test Circuit 10   |
| $C_S$ (OFF)                                | 9                       |                    | 9                       |                     | pF typ                                 |   |
| $C_D$ (OFF)                                |                         |                    |                         |                     |  |   |
| ADG608                                     | 40                      |                    | 40                      |                     | pF typ                                 |   |
| ADG609                                     | 20                      |                    | 20                      |                     | pF typ                                 |   |
| $C_D$ (ON)                                 |                         |                    |                         |                     |  |   |
| ADG608                                     | 54                      |                    | 54                      |                     | pF typ                                 |   |
| ADG609                                     | 34                      |                    | 34                      |                     | pF typ                                 |   |
| <b>POWER REQUIREMENTS</b>                  |                         |                    |                         |                     |  |   |
| $I_{DD}$                                   | 0.05<br>0.2             | 0.2<br>2           | 0.05<br>0.2             | 0.2<br>2            | $\mu\text{A}$ typ<br>$\mu\text{A}$ max | $V_{IN} = 0\text{ V}$ or $V_{DD}$   |
| $I_{SS}$                                   | 0.01<br>0.1             | 0.1<br>1           | 0.01<br>0.1             | 0.1<br>1            | $\mu\text{A}$ typ<br>$\mu\text{A}$ max |   |

## NOTES

<sup>1</sup>Temperature ranges are as follows: B Version:  $-40^\circ\text{C}$  to  $+85^\circ\text{C}$ ; T Version:  $-55^\circ\text{C}$  to  $+125^\circ\text{C}$ .

<sup>2</sup>Guaranteed by design, not subject to production test.

Specifications subject to change without notice.

**SINGLE SUPPLY<sup>1</sup>** ( $V_{DD} = +5\text{ V} \pm 10\%$ ,  $V_{SS} = 0\text{ V}$ ,  $GND = 0\text{ V}$ , unless otherwise noted)

| Parameter                                  | B Version  |                   | T Version  |                    | Units             | Test Conditions/<br>Comments  |
|--|------------|-------------------|------------|--------------------|-------------------|---|
|  | +25°C      | -40°C to<br>+85°C | +25°C      | -55°C to<br>+125°C |                   |   |
| <b>ANALOG SWITCH</b>                       |            |                   |            |                    |                   |   |
| Analog Signal Range                        |            | 0 to $V_{DD}$     |            | 0 to $V_{DD}$      | V                 |   |
| $R_{ON}$                                   | 40         |                   | 40         |                    | $\Omega$ typ      | $V_S = +3.5\text{ V}$ , $I_S = -1\text{ mA}$ ;                            |
|  | 50         | 60                | 50         | 70                 | $\Omega$ max      | $V_{DD} = +4.5\text{ V}$ ;  |
| $\Delta R_{ON}$                            | 5          | 6                 | 5          | 6                  | $\Omega$ max      | Test Circuit 1  |
| $R_{ON}$ Match                             | 2          | 3                 | 2          | 3                  | $\Omega$ max      | +1 V $\leq V_S \leq$ +3 V, $I_{DS} = -1\text{ mA}$ ;                      |
|  |            |                   |            |                    |                   | $V_{DD} = +5\text{ V}$  |
|  |            |                   |            |                    |                   | $V_S = 0\text{ V}$ , $I_{DS} = -1\text{ mA}$ ;                            |
|  |            |                   |            |                    |                   | $V_{DD} = +5\text{ V}$  |
| <b>LEAKAGE CURRENTS</b>                    |            |                   |            |                    |                   |   |
| Source OFF Leakage $I_S$ (OFF)             | $\pm 0.05$ |                   | $\pm 0.05$ |                    | nA typ            | $V_{DD} = +5.5\text{ V}$  |
|  | $\pm 0.5$  | $\pm 2$           | $\pm 0.5$  | $\pm 10$           | nA max            | $V_D = 4.5\text{ V}/0.1\text{ V}$ , $V_S = 0.1\text{ V}/4.5\text{ V}$ ;   |
| Drain OFF Leakage $I_D$ (OFF)              | $\pm 0.05$ |                   | $\pm 0.05$ |                    | nA typ            | Test Circuit 2  |
| ADG608                                     | $\pm 0.5$  | $\pm 2$           | $\pm 0.5$  | $\pm 10$           | nA max            | $V_D = 4.5\text{ V}/0.1\text{ V}$ , $V_S = 0.1\text{ V}/4.5\text{ V}$ ;   |
| ADG609                                     | $\pm 0.5$  | $\pm 1$           | $\pm 0.5$  | $\pm 5$            | nA max            | Test Circuit 3  |
| Channel ON Leakage $I_D$ , $I_S$ (ON)      | $\pm 0.05$ |                   | $\pm 0.05$ |                    | nA typ            | $V_S = V_D = 4.5\text{ V}/0.1\text{ V}$ ;                                 |
| ADG608                                     | $\pm 0.5$  | $\pm 3$           | $\pm 0.5$  | $\pm 20$           | nA max            | Test Circuit 4  |
| ADG609                                     | $\pm 0.5$  | $\pm 1.5$         | $\pm 0.5$  | $\pm 10$           | nA max            |   |
| <b>DIGITAL INPUTS</b>                      |            |                   |            |                    |                   |   |
| Input High Voltage, $V_{INH}$              |            | 2.4               |            | 2.4                | V min             |   |
| Input Low Voltage, $V_{INL}$               |            | 0.8               |            | 0.8                | V max             |   |
| Input Current                              |            |                   |            |                    |                   |   |
| $I_{INL}$ or $I_{INH}$                     |            | $\pm 1$           |            | $\pm 1$            | $\mu\text{A}$ max | $V_{IN} = 0$ or $V_{DD}$  |
| $C_{IN}$ , Digital Input Capacitance       | 5          |                   | 5          |                    | pF typ            |   |
| <b>DYNAMIC CHARACTERISTICS<sup>2</sup></b> |            |                   |            |                    |                   |   |
| $t_{TRANSITION}$                           | 80         |                   | 80         |                    | ns typ            | $R_L = 300\ \Omega$ , $C_L = 35\text{ pF}$ ;                              |
|  | 100        | 130               | 100        | 150                | ns max            | $V_{S1} = 3.5\text{ V}/0\text{ V}$ , $V_{S8} = 0\text{ V}/3.5\text{ V}$ ; |
|  |            |                   |            |                    |                   | Test Circuit 5  |
| $t_{OPEN}$                                 | 10         |                   | 10         |                    | ns min            | $R_L = 300\ \Omega$ , $C_L = 35\text{ pF}$ ;                              |
|  |            |                   |            |                    |                   | $V_S = +3.5\text{ V}$ ; Test Circuit 6                                    |
| $t_{ON}$ (EN)                              | 80         |                   | 80         |                    | ns typ            | $R_L = 300\ \Omega$ , $C_L = 35\text{ pF}$ ;                              |
|  | 100        | 130               | 100        | 150                | ns max            | $V_S = +3.5\text{ V}$ ; Test Circuit 7                                    |
| $t_{OFF}$ (EN)                             | 40         |                   | 40         |                    | ns typ            | $R_L = 300\ \Omega$ , $C_L = 35\text{ pF}$ ;                              |
|  | 50         | 60                | 50         | 75                 | ns max            | $V_S = +3.5\text{ V}$ ; Test Circuit 7                                    |
| Charge Injection                           | 0.5        |                   | 0.5        |                    | pC typ            | $V_S = 0\text{ V}$ , $R_S = 0\ \Omega$ , $C_L = 1\text{ nF}$ ;            |
|  | 3          |                   | 3          |                    | pC max            | Test Circuit 8  |
| OFF Isolation                              | 85         |                   | 85         |                    | dB typ            | $R_L = 1\text{ k}\Omega$ , $C_L = 15\text{ pF}$ , $f = 100\text{ kHz}$ ;  |
|  |            |                   |            |                    |                   | $V_S = 1.5\text{ V rms}$ ; Test Circuit 9                                 |
| Channel-to-Channel Crosstalk               | 85         |                   | 85         |                    | dB typ            | $R_L = 1\text{ k}\Omega$ , $C_L = 15\text{ pF}$ , $f = 100\text{ kHz}$ ;  |
|  |            |                   |            |                    |                   | Test Circuit 10   |
| $C_S$ (OFF)                                | 9          |                   | 9          |                    | pF typ            |   |
| $C_D$ (OFF)                                |            |                   |            |                    |                   |   |
| ADG608                                     | 40         |                   | 40         |                    | pF typ            |   |
| ADG609                                     | 20         |                   | 20         |                    | pF typ            |   |
| $C_D$ (ON)                                 |            |                   |            |                    |                   |   |
| ADG608                                     | 54         |                   | 54         |                    | pF typ            |   |
| ADG609                                     | 34         |                   | 34         |                    | pF typ            |   |
| <b>POWER REQUIREMENTS</b>                  |            |                   |            |                    |                   |   |
| $I_{DD}$                                   | 0.05       | 0.2               | 0.05       | 0.2                | $\mu\text{A}$ typ | $V_{IN} = 0\text{ V}$ or $V_{DD}$   |
|  | 0.2        | 2                 | 0.2        | 2                  | $\mu\text{A}$ max |   |

## NOTES

<sup>1</sup>Temperature ranges are as follows: B Version: -40°C to +85°C; T Version: -55°C to +125°C.

<sup>2</sup>Guaranteed by design, not subject to production test.

Specifications subject to change without notice.

# ADG608/ADG609–SPECIFICATIONS

## SINGLE SUPPLY<sup>1</sup> ( $V_{DD} = +3.3\text{ V} \pm 10\%$ , $V_{SS} = 0\text{ V}$ , $GND = 0\text{ V}$ , unless otherwise noted)

| Parameter                                  | B Version  |                   | T Version  |                    | Units             | Test Conditions/<br>Comments  |
|--|------------|-------------------|------------|--------------------|-------------------|---|
|  | +25°C      | -40°C to<br>+85°C | +25°C      | -55°C to<br>+125°C |                   |   |
| <b>ANALOG SWITCH</b>                       |            |                   |            |                    |                   |   |
| Analog Signal Range                        |            | 0 to $V_{DD}$     |            | 0 to $V_{DD}$      | V                 |   |
| $R_{ON}$                                   | 60         |                   | 60         |                    | $\Omega$ typ      | $V_S = +1.5\text{ V}$ , $I_S = -1\text{ mA}$ ;                            |
|  | 90         | 100               | 90         | 120                | $\Omega$ max      | $V_{DD} = +3\text{ V}$ ; Test Circuit 1                                   |
| $R_{ON}$ Match                             | 3          | 3                 | 3          | 3                  | $\Omega$ max      | $V_S = 0\text{ V}$ , $I_{DS} = -1\text{ mA}$ , $V_{DD} = +3.3\text{ V}$   |
| <b>LEAKAGE CURRENTS</b>                    |            |                   |            |                    |                   |   |
| Source OFF Leakage $I_S$ (OFF)             | $\pm 0.05$ |                   | $\pm 0.05$ |                    | nA typ            | $V_{DD} = +3.6\text{ V}$  |
|  | $\pm 0.5$  | $\pm 2$           | $\pm 0.5$  | $\pm 10$           | nA max            | $V_D = 2.6\text{ V}/0.1\text{ V}$ , $V_S = 0.1\text{ V}/2.6\text{ V}$ ;   |
| Drain OFF Leakage $I_D$ (OFF)              | $\pm 0.05$ |                   | $\pm 0.05$ |                    | nA typ            | Test Circuit 2  |
| ADG608                                     | $\pm 0.5$  | $\pm 2$           | $\pm 0.5$  | $\pm 10$           | nA max            | $V_D = 2.6\text{ V}/0.1\text{ V}$ , $V_S = 0.1\text{ V}/2.6\text{ V}$ ;   |
| ADG609                                     | $\pm 0.5$  | $\pm 1$           | $\pm 0.5$  | $\pm 5$            | nA max            | Test Circuit 3  |
| Channel ON Leakage $I_D$ , $I_S$ (ON)      | $\pm 0.05$ |                   | $\pm 0.05$ |                    | nA typ            | $V_S = V_D = 2.6\text{ V}/0.1\text{ V}$ ;                                 |
| ADG608                                     | $\pm 0.5$  | $\pm 3$           | $\pm 0.5$  | $\pm 20$           | nA max            | Test Circuit 4  |
| ADG609                                     | $\pm 0.5$  | $\pm 1.5$         | $\pm 0.5$  | $\pm 10$           | nA max            |   |
| <b>DIGITAL INPUTS</b>                      |            |                   |            |                    |                   |   |
| Input High Voltage, $V_{INH}$              |            | 2.4               |            | 2.4                | V min             |   |
| Input Low Voltage, $V_{INL}$               |            | 0.8               |            | 0.8                | V max             |   |
| Input Current                              |            |                   |            |                    |                   |   |
| $I_{INL}$ or $I_{INH}$                     |            | $\pm 1$           |            | $\pm 1$            | $\mu\text{A}$ max | $V_{IN} = 0$ or $V_{DD}$  |
| $C_{IN}$ , Digital Input Capacitance       | 5          |                   | 5          |                    | pF typ            |   |
| <b>DYNAMIC CHARACTERISTICS<sup>2</sup></b> |            |                   |            |                    |                   |   |
| $t_{TRANSITION}$                           | 120        |                   | 120        |                    | ns typ            | $R_L = 300\ \Omega$ , $C_L = 35\text{ pF}$ ;                              |
|  | 170        | 225               | 170        | 250                | ns max            | $V_{SI} = 1.5\text{ V}/0\text{ V}$ , $V_{SS} = 0\text{ V}/1.5\text{ V}$ ; |
|  |            |                   |            |                    |                   | Test Circuit 5  |
| $t_{OPEN}$                                 | 10         |                   | 10         |                    | ns min            | $R_L = 300\ \Omega$ , $C_L = 35\text{ pF}$ ;                              |
|  |            |                   |            |                    |                   | $V_S = +1.5\text{ V}$ ; Test Circuit 6                                    |
| $t_{ON}$ (EN)                              | 120        |                   | 120        |                    | ns typ            | $R_L = 300\ \Omega$ , $C_L = 35\text{ pF}$ ;                              |
|  | 170        | 225               | 170        | 250                | ns max            | $V_S = +1.5\text{ V}$ ; Test Circuit 7                                    |
| $t_{OFF}$ (EN)                             | 40         |                   | 40         |                    | ns typ            | $R_L = 300\ \Omega$ , $C_L = 35\text{ pF}$ ;                              |
|  | 60         | 75                | 60         | 90                 | ns max            | $V_S = +1.5\text{ V}$ ; Test Circuit 7                                    |
| Charge Injection                           | 0.5        |                   | 0.5        |                    | pC typ            | $V_S = 0\text{ V}$ , $R_S = 0\ \Omega$ , $C_L = 1\text{ nF}$ ;            |
|  | 3          |                   | 3          |                    | pC max            | Test Circuit 8  |
| OFF Isolation                              | 85         |                   | 85         |                    | dB typ            | $R_L = 1\text{ k}\Omega$ , $C_L = 15\text{ pF}$ , $f = 100\text{ kHz}$ ;  |
|  |            |                   |            |                    |                   | $V_S = 1\text{ V rms}$ ; Test Circuit 9                                   |
| Channel-to-Channel Crosstalk               | 85         |                   | 85         |                    | dB typ            | $R_L = 1\text{ k}\Omega$ , $C_L = 15\text{ pF}$ , $f = 100\text{ kHz}$ ;  |
|  |            |                   |            |                    |                   | Test Circuit 10   |
| $C_S$ (OFF)                                | 9          |                   | 9          |                    | pF typ            |   |
| $C_D$ (OFF)                                |            |                   |            |                    |                   |   |
| ADG608                                     | 40         |                   | 40         |                    | pF typ            |   |
| ADG609                                     | 20         |                   | 20         |                    | pF typ            |   |
| $C_D$ (ON)                                 |            |                   |            |                    |                   |   |
| ADG608                                     | 54         |                   | 54         |                    | pF typ            |   |
| ADG609                                     | 34         |                   | 34         |                    | pF typ            |   |
| <b>POWER REQUIREMENTS</b>                  |            |                   |            |                    |                   |   |
| $I_{DD}$                                   | 0.05       | 0.2               | 0.05       | 0.2                | $\mu\text{A}$ typ | $V_{IN} = 0\text{ V}$ or $V_{DD}$   |
|  | 0.2        | 2                 | 0.2        | 2                  | $\mu\text{A}$ max |   |

### NOTES

<sup>1</sup>Temperature ranges are as follows: B Version:  $-40^\circ\text{C}$  to  $+85^\circ\text{C}$ ; T Version:  $-55^\circ\text{C}$  to  $+125^\circ\text{C}$ .

<sup>2</sup>Guaranteed by design, not subject to production test.

Specifications subject to change without notice.

## ABSOLUTE MAXIMUM RATINGS<sup>1</sup>

(T<sub>A</sub> = +25°C unless otherwise noted)

|  |                                 |
|--|---------------------------------|
| V <sub>DD</sub> to V <sub>SS</sub> .....   | +13 V                           |
| V <sub>DD</sub> to GND .....               | -0.3 V to +6.5 V                |
| V <sub>SS</sub> to GND .....               | +0.3 V to -6.5 V                |
| Analog, Digital Inputs <sup>2</sup> .....  | -0.3 V to V <sub>DD</sub> + 2 V |
| or 20 mA, Whichever Occurs First           |                                 |
| Continuous Current, S or D .....           | 20 mA                           |
| Peak Current, S or D .....                 | 20 mA                           |
| (Pulsed at 1 ms, 10% Duty Cycle Max)       |                                 |
| Operating Temperature Range                |                                 |
| Industrial (B Version) .....               | -40°C to +85°C                  |
| Extended (T Version) .....                 | -55°C to +125°C                 |
| Storage Temperature Range .....            | -65°C to +150°C                 |
| Junction Temperature .....                 | +150°C                          |
| Plastic DIP Package                        |                                 |
| θ <sub>JA</sub> , Thermal Impedance .....  | 117°C/W                         |
| Lead Temperature, Soldering (10 sec) ..... | +260°C                          |

## SOIC Package

|   |        |
|---|--------|
| θ <sub>JA</sub> , Thermal Impedance ..... | 77°C/W |
| Lead Temperature, Soldering               |        |
| Vapor Phase (60 sec) .....                | +215°C |
| Infrared (15 sec) .....                   | +220°C |

## TSSOP Package

|   |         |
|---|---------|
| θ <sub>JA</sub> , Thermal Impedance ..... | 158°C/W |
| Lead Temperature, Soldering               |         |
| Vapor Phase (60 sec) .....                | +215°C  |
| Infrared (15 sec) .....                   | +220°C  |

ESD Rating .....

## NOTES

<sup>1</sup>Stresses above those listed under “Absolute Maximum Ratings” may cause permanent damage to the device. This is a stress rating only and functional operation of the device at these or any other conditions above those listed in the operational sections of this specification is not implied. Exposure to absolute maximum rating conditions for extended periods may affect device reliability. Only one absolute maximum rating may be applied at any one time.

<sup>2</sup>Overvoltages at A, S, D or EN will be clamped by internal diodes. Current should be limited to the maximum ratings given.

**Table I. ADG608 Truth Table**

| A2 | A1 | A0 | EN | ON SWITCH |
|----|----|----|----|-----------|
| X  | X  | X  | 0  | NONE      |
| 0  | 0  | 0  | 1  | 1         |
| 0  | 0  | 1  | 1  | 2         |
| 0  | 1  | 0  | 1  | 3         |
| 0  | 1  | 1  | 1  | 4         |
| 1  | 0  | 0  | 1  | 5         |
| 1  | 0  | 1  | 1  | 6         |
| 1  | 1  | 0  | 1  | 7         |
| 1  | 1  | 1  | 1  | 8         |

X = Don't Care

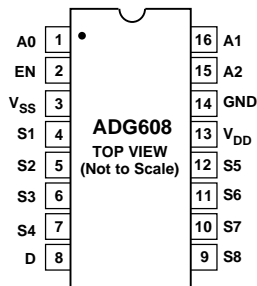
**Table II. ADG609 Truth Table**

| A1 | A0 | EN | ON SWITCH PAIR |
|----|----|----|----------------|
| X  | X  | 0  | NONE           |
| 0  | 0  | 1  | 1              |
| 0  | 1  | 1  | 2              |
| 1  | 0  | 1  | 3              |
| 1  | 1  | 1  | 4              |

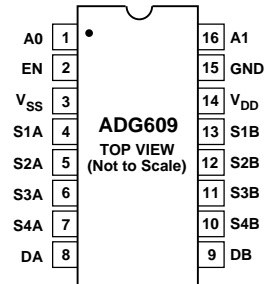
X = Don't Care

## PIN CONFIGURATIONS

### DIP/SOIC/TSSOP



### DIP/SOIC/TSSOP



# ADG608/ADG609—Typical Performance Characteristics

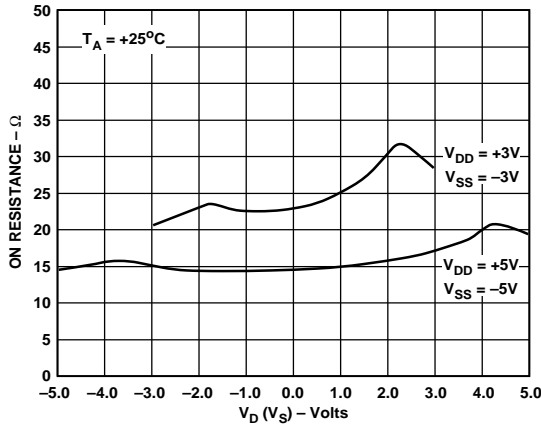


Figure 1.  $R_{ON}$  as a Function of  $V_D$  ( $V_S$ ): Dual Supply Voltage

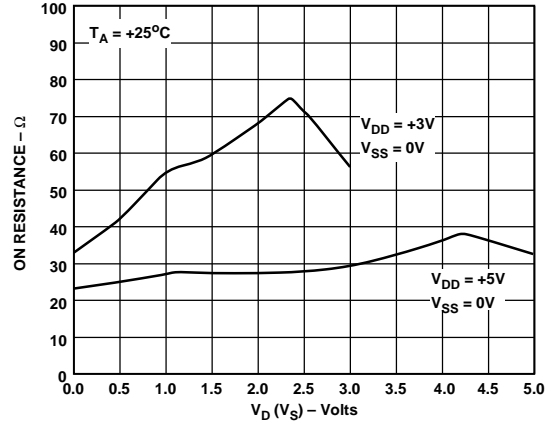


Figure 4.  $R_{ON}$  as a Function of  $V_D$  ( $V_S$ ): Single Supply Voltage

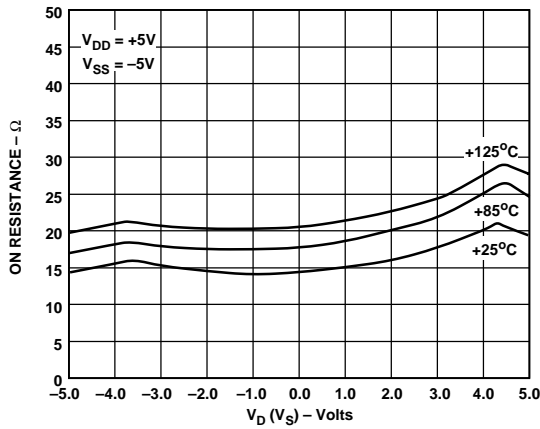


Figure 2.  $R_{ON}$  as a Function of  $V_D$  ( $V_S$ ) for Different Temperatures



Figure 5.  $R_{ON}$  as a Function of  $V_D$  ( $V_S$ ) for Different Temperatures

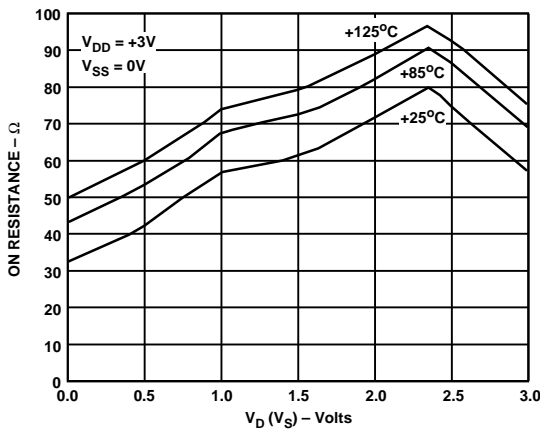


Figure 3.  $R_{ON}$  as a Function of  $V_D$  ( $V_S$ ) for Different Temperatures



Figure 6. Leakage Currents as a Function of  $V_D$  ( $V_S$ )



Figure 7. Leakage Currents as a Function of  $V_D$  ( $V_S$ )

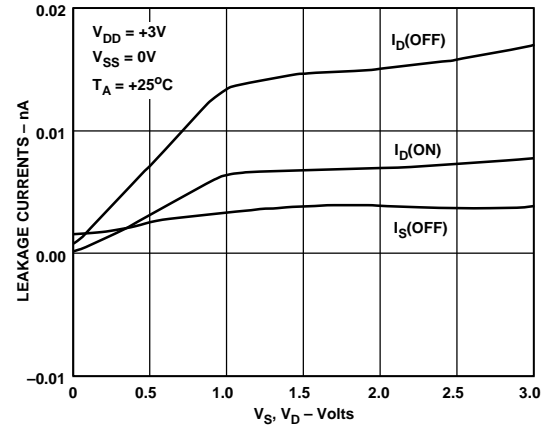


Figure 10. Leakage Currents as a Function of  $V_D$  ( $V_S$ )



Figure 8. Positive Supply Current vs. Switching Frequency

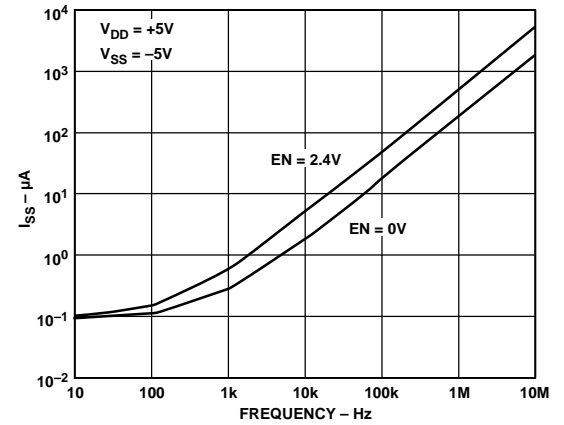


Figure 11. Negative Supply Current vs. Switching Frequency

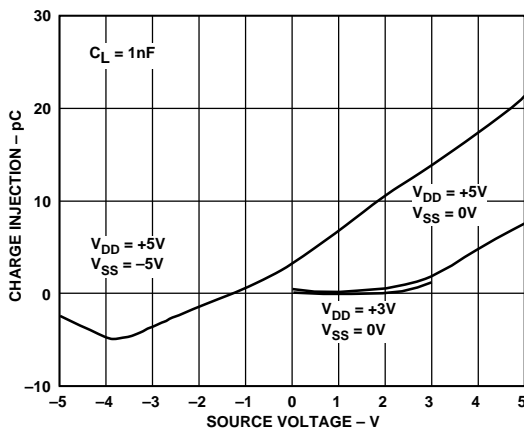


Figure 9. Charge Injection vs. Analog Voltage  $V_S$

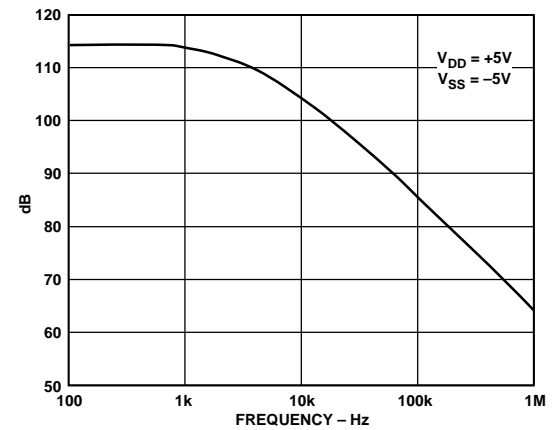
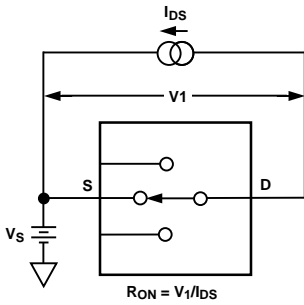


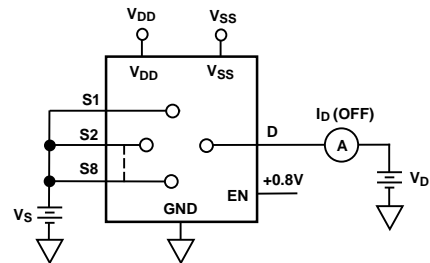
Figure 12. Crosstalk and Off Isolation vs. Frequency

# ADG608/ADG609

## Test Circuits



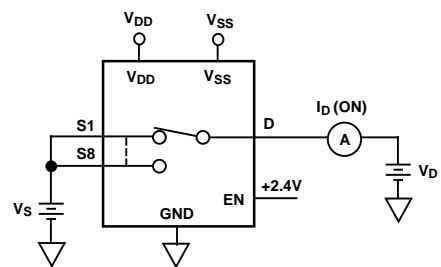
Test Circuit 1. On Resistance



Test Circuit 3.  $I_D$  (OFF)



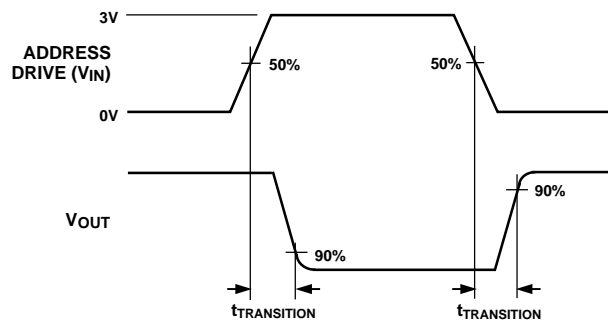
Test Circuit 2.  $I_S$  (OFF)



Test Circuit 4.  $I_D$  (ON)



\* SIMILAR CONNECTION FOR ADG609



Test Circuit 5. Switching Time of Multiplexer,  $t_{TRANSITION}$

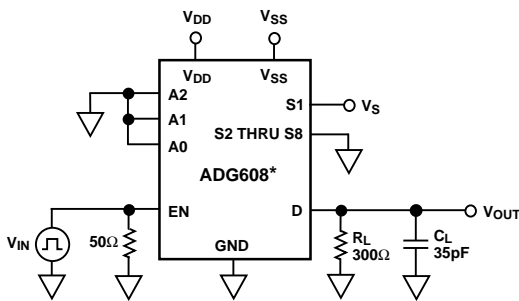




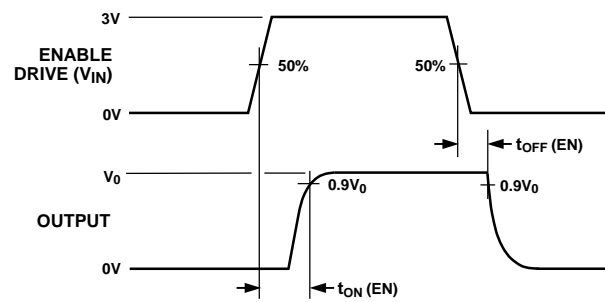
\* SIMILAR CONNECTION FOR ADG609



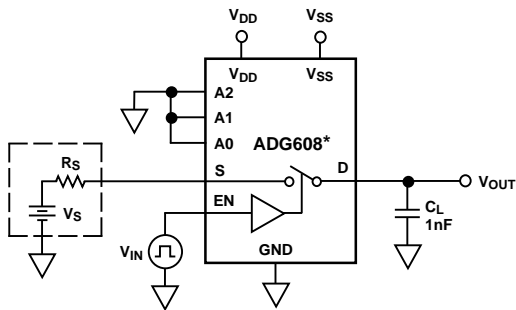
Test Circuit 6. Break-Before-Make Delay,  $t_{OPEN}$



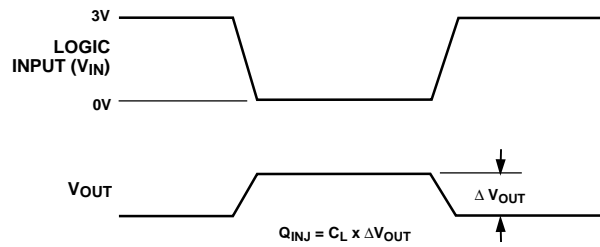
\* SIMILAR CONNECTION FOR ADG609



Test Circuit 7. Enable Delay,  $t_{ON}(EN)$ ,  $t_{OFF}(EN)$

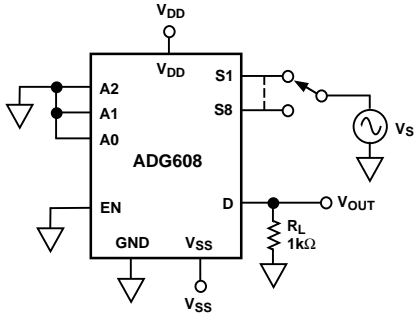


\* SIMILAR CONNECTION FOR ADG609

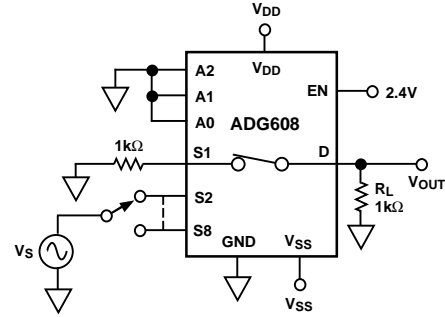


Test Circuit 8. Charge Injection

# ADG608/ADG609



Test Circuit 9. OFF Isolation



Test Circuit 10. Channel-to-Channel Crosstalk

## TERMINOLOGY

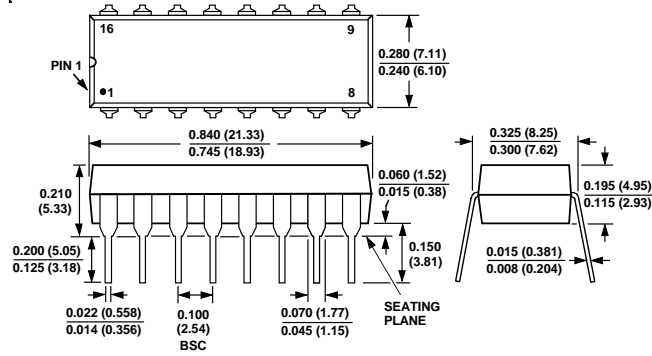
|                 |  |
|-----------------|--|
| $V_{DD}$        | Most positive power supply potential.  |
| $V_{SS}$        | Most negative power supply potential in dual supplies. In single supply applications, it may be connected to ground. |
| GND             | Ground (0 V) reference.  |
| $R_{ON}$        | Ohmic resistance between D and S.  |
| $\Delta R_{ON}$ | $R_{ON}$ variation due to a change in the analog input voltage with a constant load current.                         |
| $R_{ON}$ Match  | Difference between the $R_{ON}$ of any two channels.   |
| $I_S$ (OFF)     | Source leakage current when the switch is off.   |
| $I_D$ (OFF)     | Drain leakage current when the switch is off.  |
| $I_D, I_S$ (ON) | Channel leakage current when the switch is on.   |
| $V_D, V_S$      | Analog voltage on terminals D, S.  |
| $C_S$ (OFF)     | Channel input capacitance for "OFF" condition.   |
| $C_D$ (OFF)     | Channel output capacitance for "OFF" condition.  |
| $C_D, C_S$ (ON) | "ON" switch capacitance.   |
| $C_{IN}$        | Digital input capacitance.   |
| $t_{ON}$ (EN)   | Delay time between the 50% and 90% points of the digital input and switch "ON" condition.                            |

|                         |   |
|-------------------------|---|
| $t_{OFF}$ (EN)          | Delay time between the 50% and 90% points of the digital input and switch "OFF" condition.  |
| $t_{TRANSITION}$        | Delay time between the 50% and 90% points of the digital inputs and the switch "ON" condition when switching from one address state to another. |
| $t_{OPEN}$              | "OFF" time measured between the 80% points of both switches when switching from one address state to another.                                   |
| $V_{INL}$               | Maximum input voltage for logic "0."  |
| $V_{INH}$               | Minimum input voltage for logic "1."  |
| $I_{INL}$ ( $I_{INH}$ ) | Input current of the digital input.   |
| Crosstalk               | A measure of unwanted signal which is coupled through from one channel to another as a result of parasitic capacitance.                         |
| Off Isolation           | A measure of unwanted signal coupling through an "OFF" channel.   |
| Charge Injection        | A measure of the glitch impulse transferred from the digital input to the analog output during switching.                                       |
| $I_{DD}$                | Positive supply current.  |
| $I_{SS}$                | Negative supply current.  |

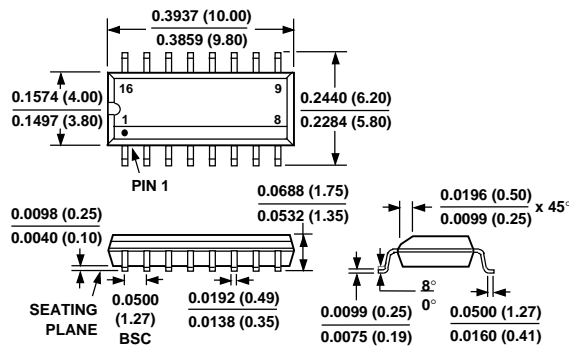
**OUTLINE DIMENSIONS**

Dimensions shown in inches and (mm).

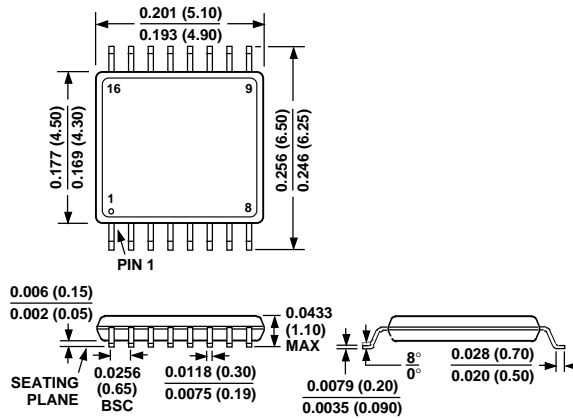
**16-Pin Plastic (N-16)**



**16-Pin SOIC (R-16A)**



**16-Pin TSSOP (RU-16)**





## Данный компонент на территории Российской Федерации

### Вы можете приобрести в компании MosChip.

Для оперативного оформления запроса Вам необходимо перейти по данной ссылке:

<http://moschip.ru/get-element>

Вы можете разместить у нас заказ для любого Вашего проекта, будь то серийное производство или разработка единичного прибора.

В нашем ассортименте представлены ведущие мировые производители активных и пассивных электронных компонентов.

Нашей специализацией является поставка электронной компонентной базы двойного назначения, продукции таких производителей как XILINX, Intel (ex.ALTERA), Vicor, Microchip, Texas Instruments, Analog Devices, Mini-Circuits, Amphenol, Glenair.

Сотрудничество с глобальными дистрибьюторами электронных компонентов, предоставляет возможность заказывать и получать с международных складов практически любой перечень компонентов в оптимальные для Вас сроки.

На всех этапах разработки и производства наши партнеры могут получить квалифицированную поддержку опытных инженеров.

Система менеджмента качества компании отвечает требованиям в соответствии с ГОСТ Р ИСО 9001, ГОСТ РВ 0015-002 и ЭС РД 009

### Офис по работе с юридическими лицами:

105318, г.Москва, ул.Щербаковская д.3, офис 1107, 1118, ДЦ «Щербаковский»

Телефон: +7 495 668-12-70 (многоканальный)

Факс: +7 495 668-12-70 (доб.304)

E-mail: [info@moschip.ru](mailto:info@moschip.ru)

Skype отдела продаж:

moschip.ru

moschip.ru\_4

moschip.ru\_6

moschip.ru\_9