

Dialight

585 Series Multi-Chip BASED LED T 1 3/4 Wedge

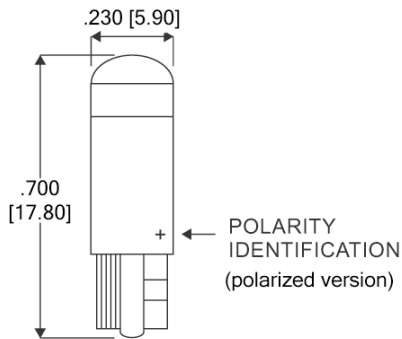


FEATURES / BENEFITS

- ▲ Low current draw - uses up to 90% less energy than incandescent
- ▲ Long Life - up to 100K hours
- ▲ True non-polarized configurations available
- ▲ No heat generated
- ▲ Mounts directly into industry standard socket
- ▲ Available in 6, 14, and 28 VDC

Dialight's line of based LED lamps is designed to directly replace many popular subminiature and miniature incandescent lamps. The benefits of LED technology over incandescent are significant: They offer long life, are shock resistant, withstand vibration and provide energy conservation.

SPECIFICATIONS



Measurements are typical

Dimensions are inches [mm]

- ▲ Operating Voltages: 6, 14, and 28 VDC
- ▲ Polarized and non-polarized available
- ▲ Operating temperature: -20°C to +60°C
- ▲ Storage temperature: -30°C to +100°C
- ▲ Replaces incandescent lamp numbers: 16, 17, 18, 37, 70, 73, 74, 79, 84, 85 and 86.*

* See Dialight's Incandescent lamp/based LED cross reference for a complete listing.

CONSIDERATIONS

- ▲ Since lens caps act as filters for the light emitted from the based LED, it is important to match the emitting color of the LED. If not matched properly, the overall light output may be substantially reduced. Dialight recommends using transparent lenses, which will optimize the light output.
- ▲ If you are unfamiliar with the polarity of the circuit, Dialight recommends using the non-polarized version.
- ▲ Although these lamps can be operated at a lower voltage, which will increase the life, the intensity will be reduced.
- ▲ Operation of the based LED at a higher voltage should not exceed 10% above the recommended voltage.
- ▲ Dialight does not recommend that based LED lamps be used in neon sockets.

Dialight reserves the right to make changes at any time in order to supply the best product possible.



Dialight Corporation

1501 Route 34 South • Farmingdale, NJ 07727 USA

Tel: (1) 732-919-3119 • Fax: (1) 732-751-5778 • www.dialight.com


a Roxboro Group Company

MDEL585WG001_B

POLARIZED

Part Number	Color	Peak Wavelength (nm)	Nominal Voltage (VDC)	Forward Current TYP. (mA)	Intensity TYP. (mcd)
585-2211	Red	660	6	50	67
585-2311	Green	565	6	46	77
585-2411	Yellow	585	6	44	22
585-2213	Red	660	14	30	60
585-2313	Green	565	14	28	70
585-2413	Yellow	585	14	30	23
585-2215	Red	660	28	16	64
585-2315	Green	565	28	15	75
585-2415	Yellow	585	28	15	23

NON-POLARIZED

Part Number	Color	Peak Wavelength (nm)	Nominal Voltage (VDC)	Forward Current TYP. (mA)	Intensity TYP. (mcd)
585-2221	Red	660	6	75	50
585-2321	Green	565	6	67	56
585-2421	Yellow	585	6	73	18
585-2223	Red	660	14	26	50
585-2323	Green	565	14	23	56
585-2423	Yellow	585	14	24	18
585-2225	Red	660	28	14	56
585-2325	Green	565	28	13	65
585-2425	Yellow	585	28	13	20

Based LEDs SELECTION

With the technological advancements in Light Emitting Diodes (LEDs) brightness can now rival the incandescent lamp when used in similar packages. These advancements have created a new type of product called the based LED - an LED with the functionality of an incandescent bulb.

The following styles are currently available in red, green, yellow, blue and white:

- ▲ T 1 3/4 Midjet Flange ▲ T 1 3/4 Bi-Pin ▲ T 1 3/4 Wedge (T5) ▲ T 2 Telephone Slide
- ▲ T 3 1/4 Miniature Bayonet (BA9s) ▲ T 3 1/4 Miniature Screw (E10) ▲ T 3 1/4 Wedge (T10) ▲ 15mm SC Bayonet (BA15s)

Dialight's line of based LEDs continues to grow. Please visit our website for more information.
www.dialight.com

Dialight reserves the right to make changes at any time in order to supply the best product possible.

Dialight Corporation

1501 Route 34 South • Farmingdale, NJ 07727 USA

Tel: (1) 732-919-3119 • Fax: (1) 732-751-5778 • www.dialight.com



Данный компонент на территории Российской Федерации

Вы можете приобрести в компании MosChip.

Для оперативного оформления запроса Вам необходимо перейти по данной ссылке:

<http://moschip.ru/get-element>

Вы можете разместить у нас заказ для любого Вашего проекта, будь то серийное производство или разработка единичного прибора.

В нашем ассортименте представлены ведущие мировые производители активных и пассивных электронных компонентов.

Нашей специализацией является поставка электронной компонентной базы двойного назначения, продукции таких производителей как XILINX, Intel (ex.ALTERA), Vicor, Microchip, Texas Instruments, Analog Devices, Mini-Circuits, Amphenol, Glenair.

Сотрудничество с глобальными дистрибьюторами электронных компонентов, предоставляет возможность заказывать и получать с международных складов практически любой перечень компонентов в оптимальные для Вас сроки.

На всех этапах разработки и производства наши партнеры могут получить квалифицированную поддержку опытных инженеров.

Система менеджмента качества компании отвечает требованиям в соответствии с ГОСТ Р ИСО 9001, ГОСТ РВ 0015-002 и ЭС РД 009

Офис по работе с юридическими лицами:

105318, г.Москва, ул.Щербаковская д.3, офис 1107, 1118, ДЦ «Щербаковский»

Телефон: +7 495 668-12-70 (многоканальный)

Факс: +7 495 668-12-70 (доб.304)

E-mail: info@moschip.ru

Skype отдела продаж:

moschip.ru

moschip.ru_4

moschip.ru_6

moschip.ru_9