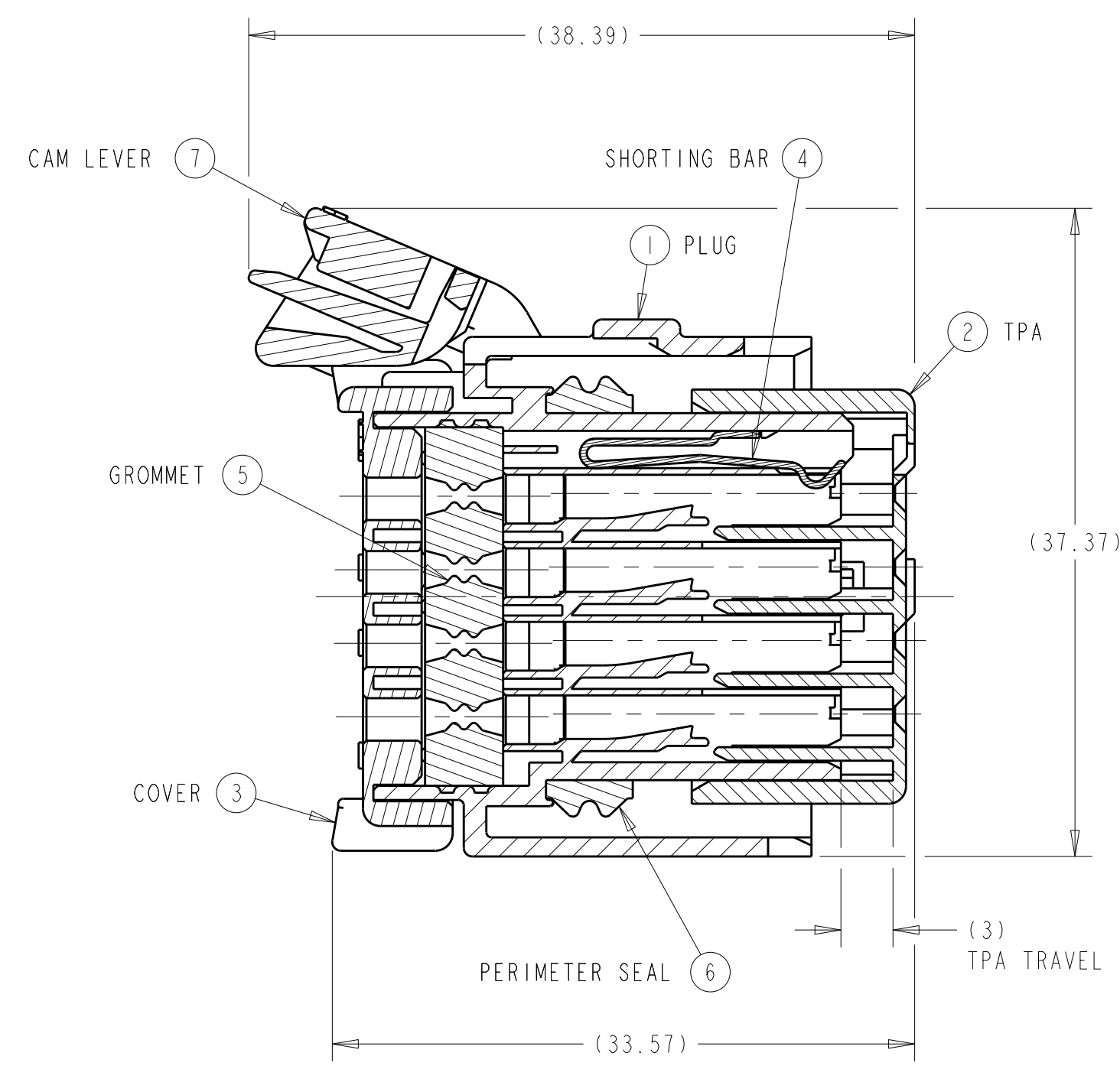
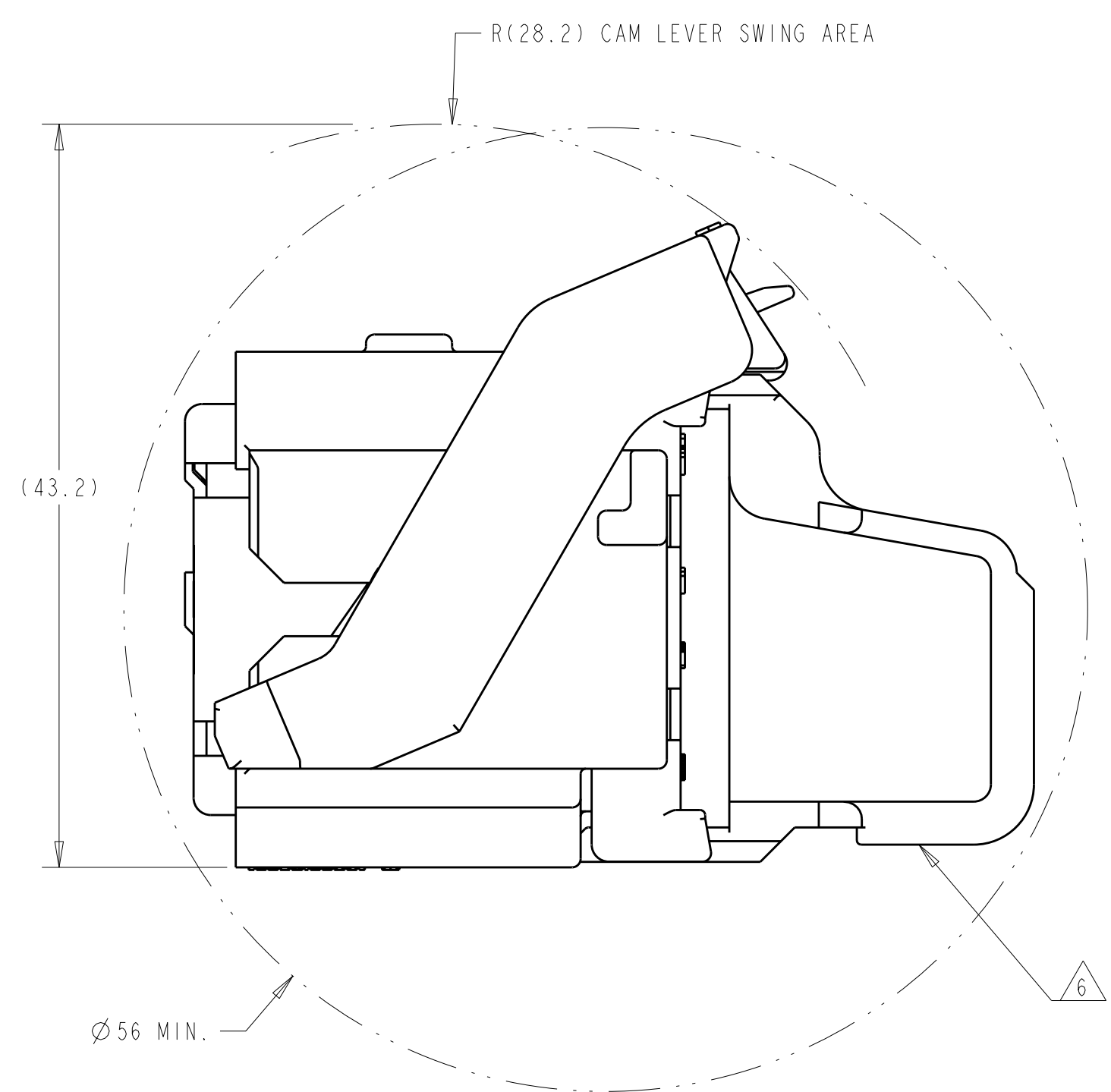
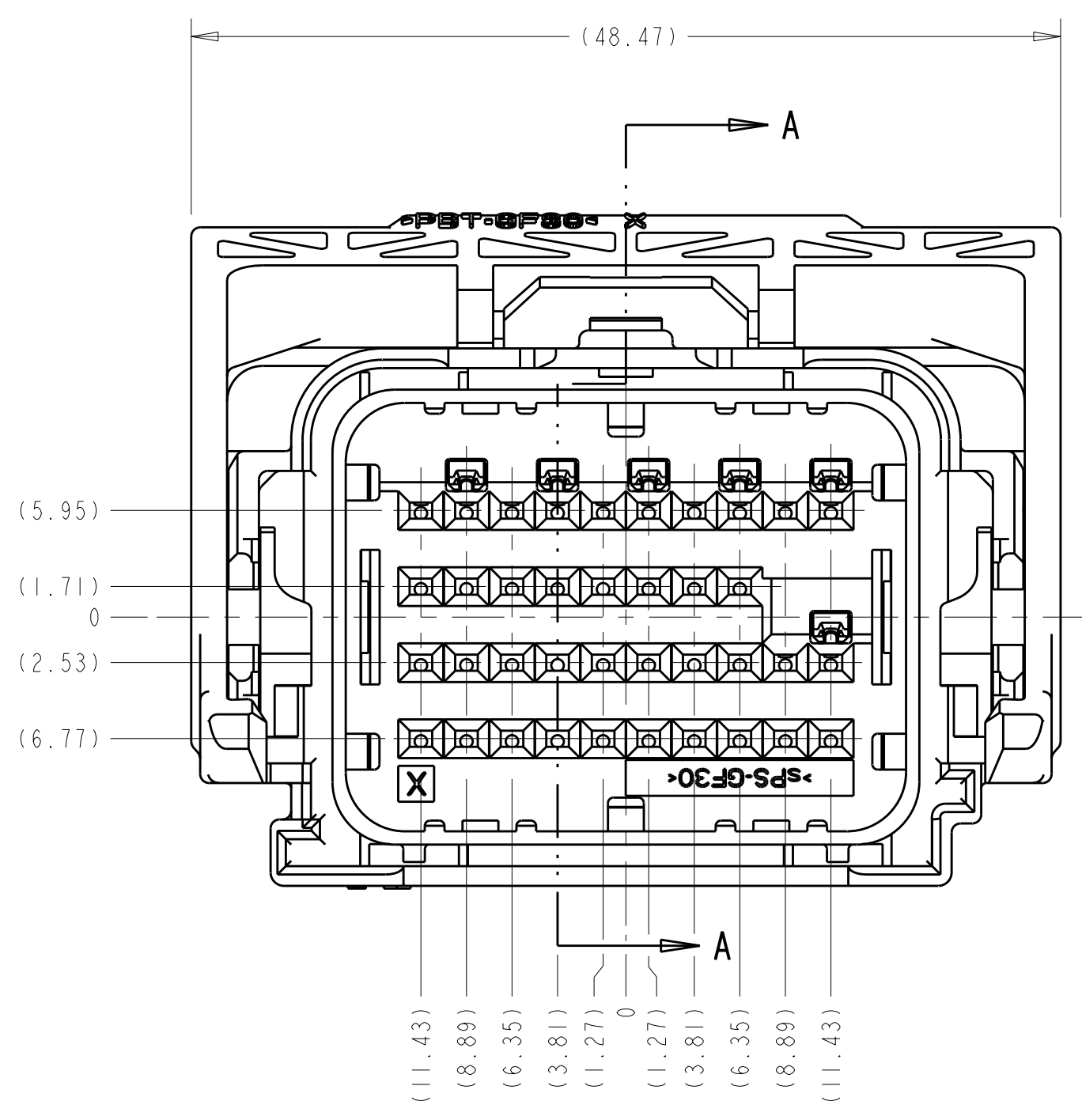


LOC	DIST	REVISIONS			
P	LT#	DESCRIPTION	DATE	OWN	APVD
FX	00	REV PER ECO 08-017679	21 JUL 2008	RGV	WTW

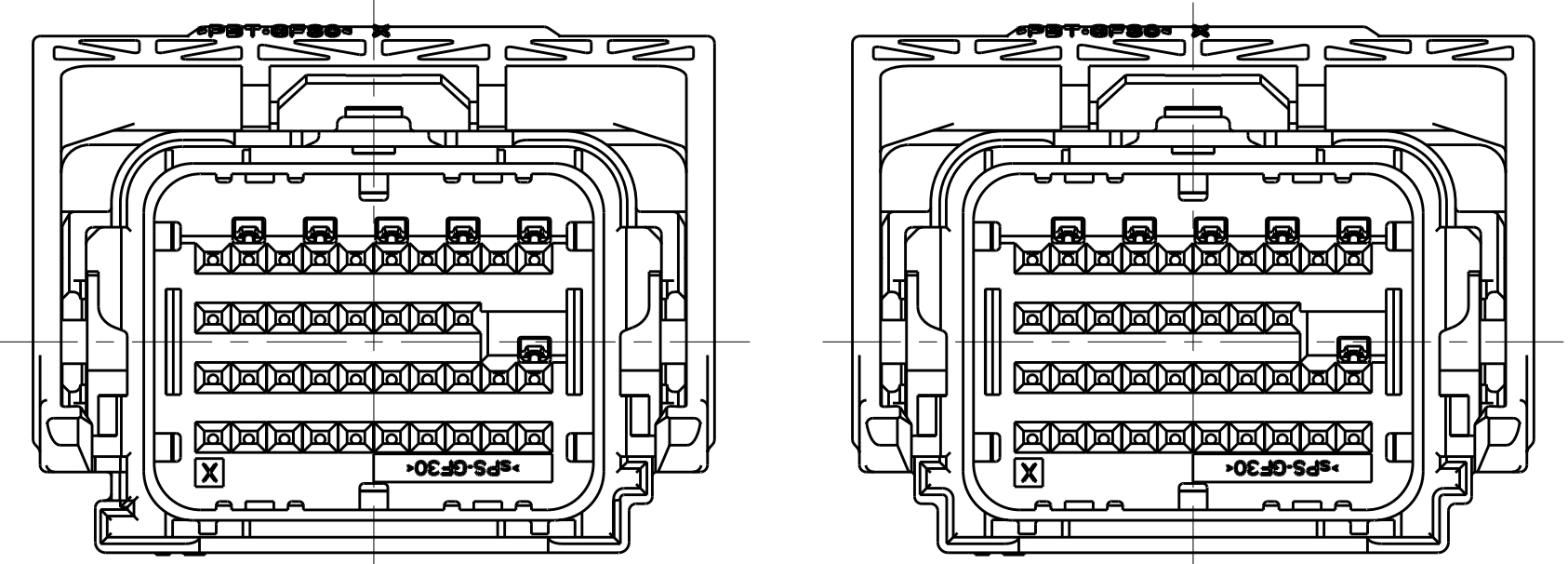


SECTION A-A
 SHOWN WITH CAM LEVER
 AND TPA IN THEIR
 PRE-LOADED POSITIONS
 (DELIVERY CONDITION)



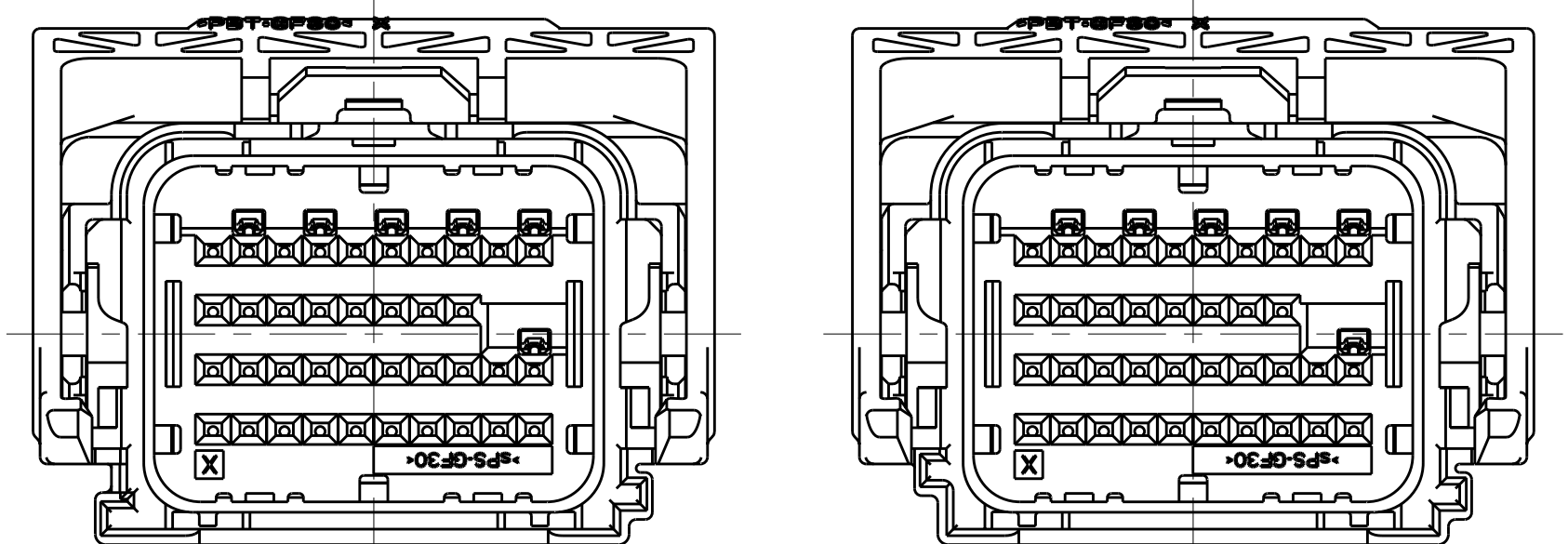
MINIMUM FEED THROUGH CONDITION
 WITH 1mm CLEARANCE ALL AROUND
 SHOWN WITH OPTION WIRESHIELD
 TPA IS IN IT'S LOADED POSITION
 CAM LEVER IS IN IT'S PRE-LOADED POSITION

KEYING OPTIONS
 SCALE 2:1



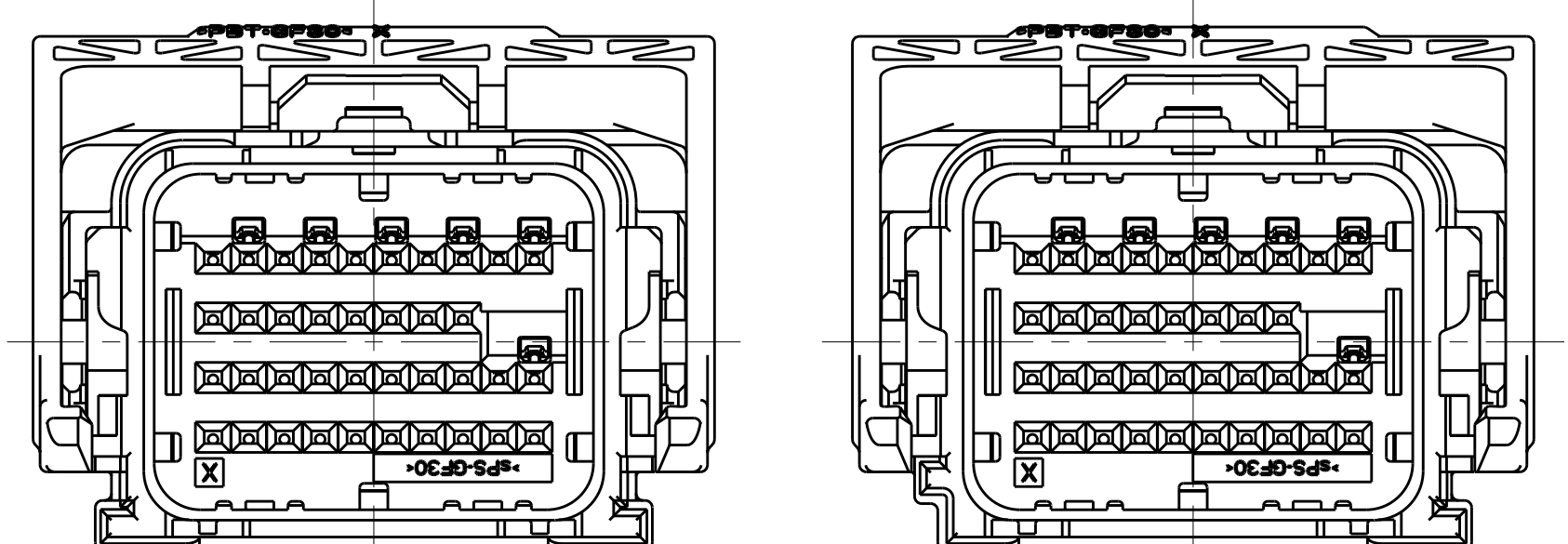
OPTION "G"

OPTION "H"



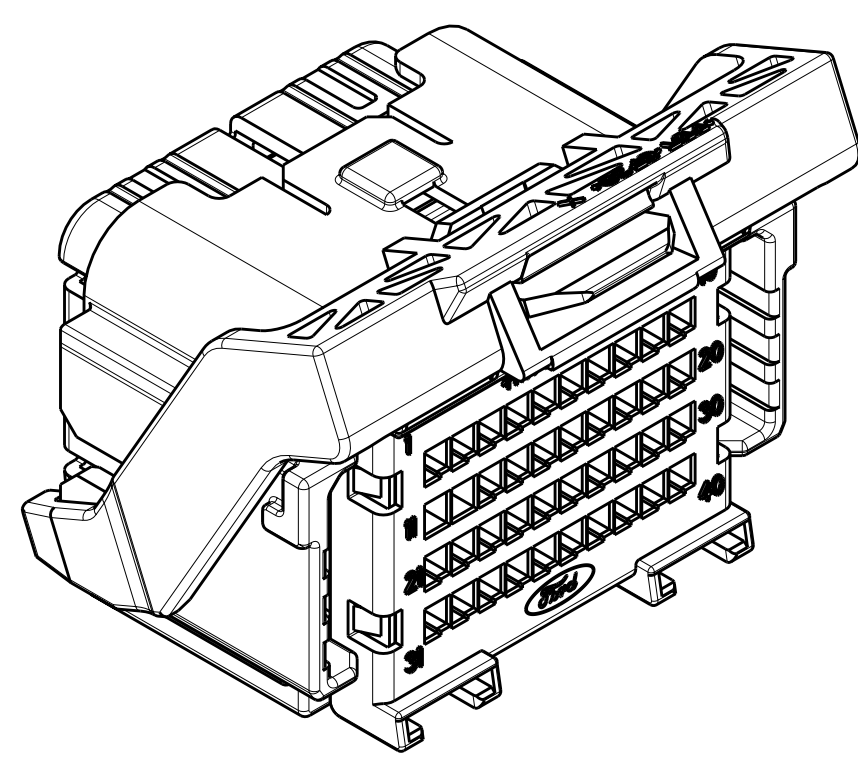
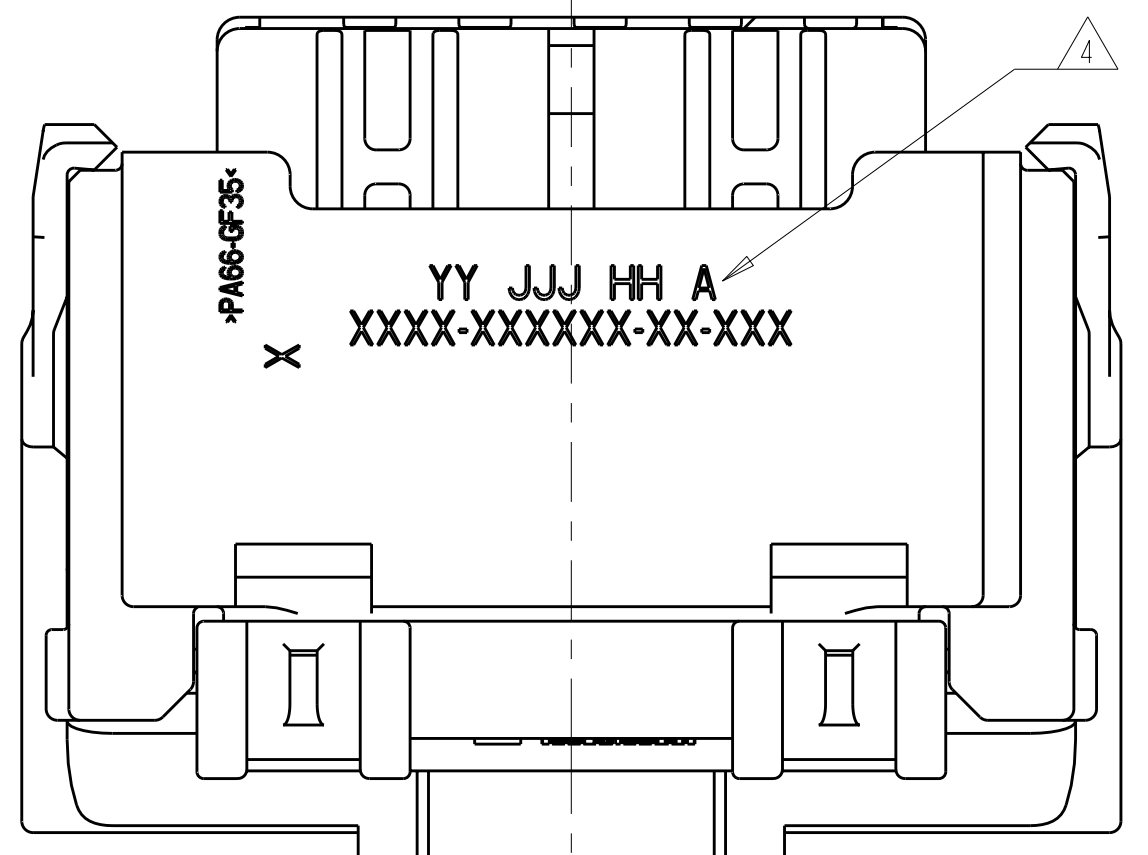
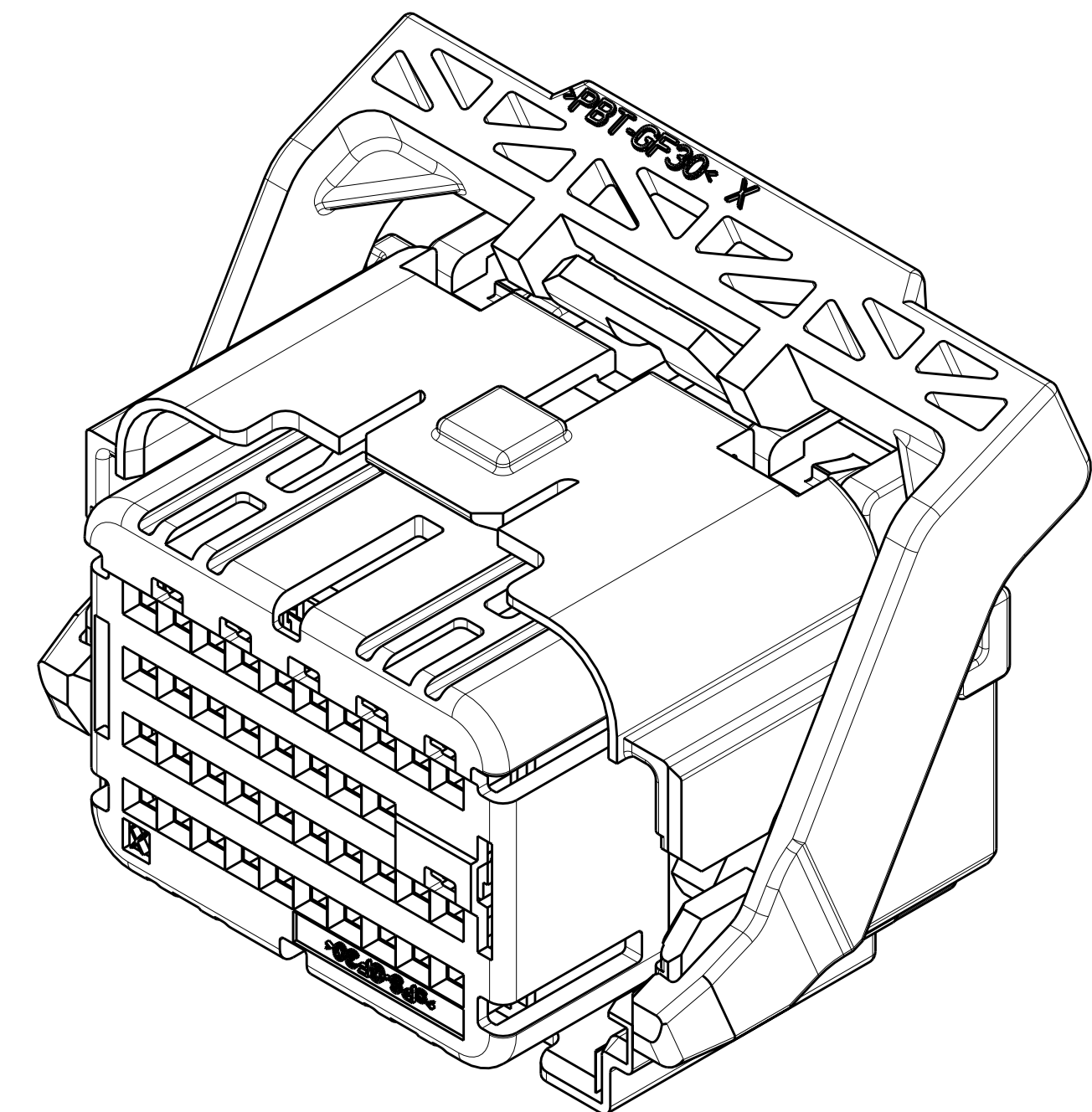
OPTION "J"

OPTION "K"

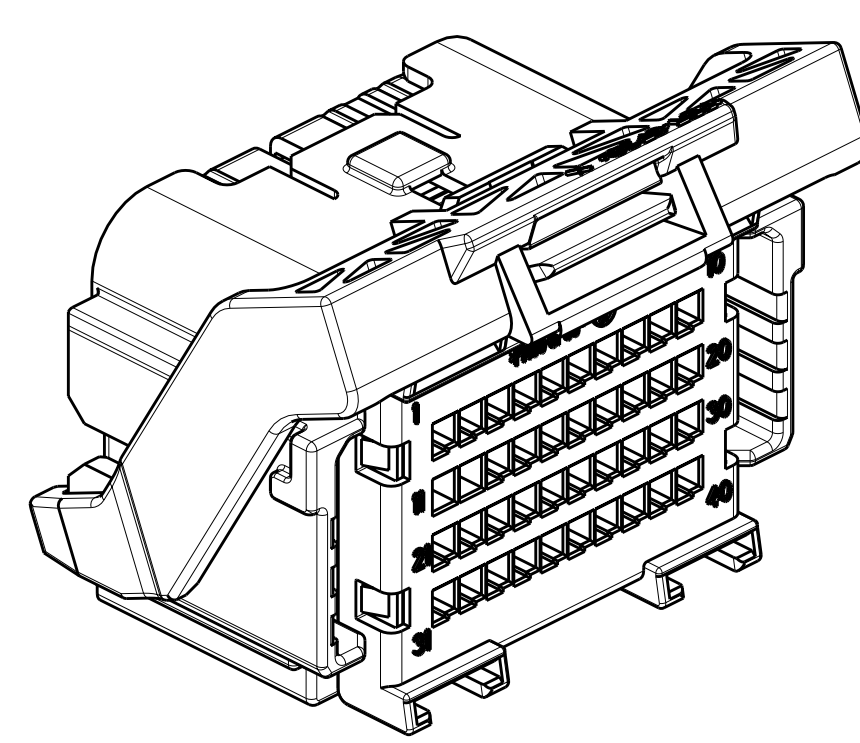


OPTION "L"

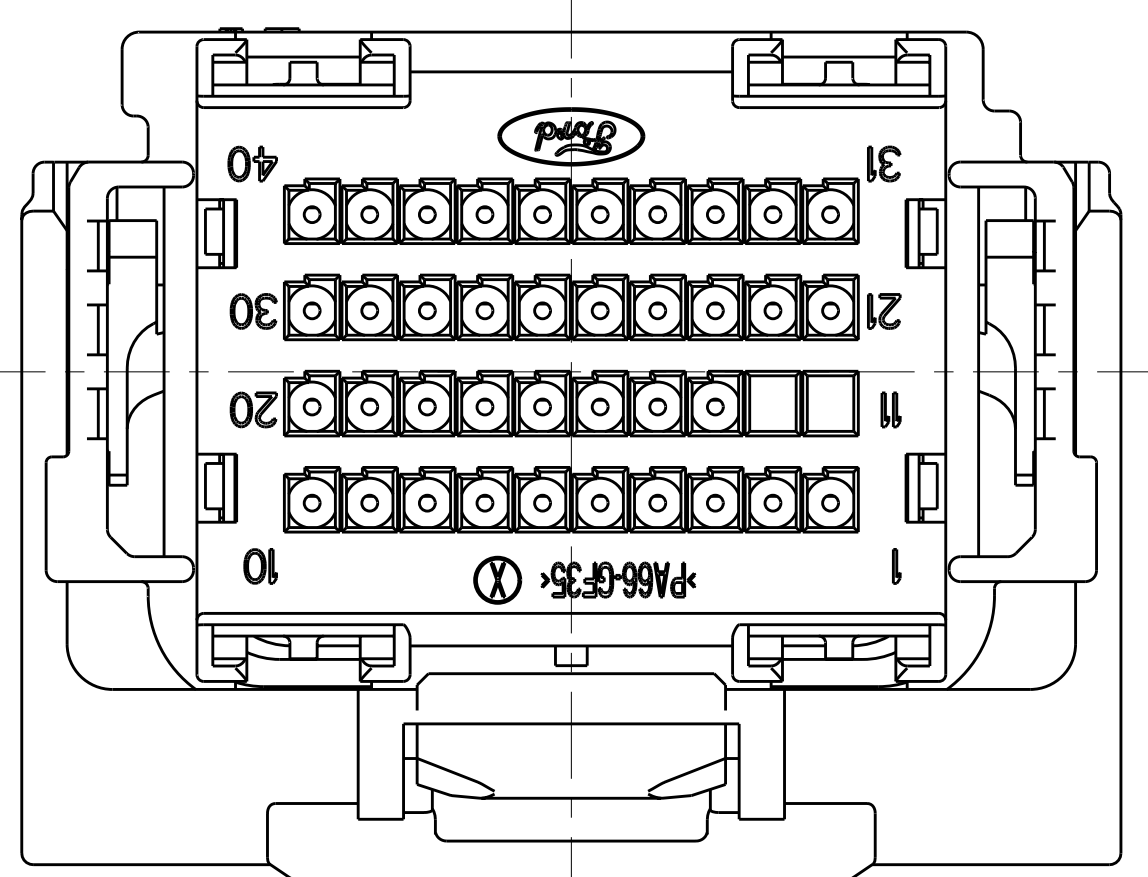
OPTION "M"



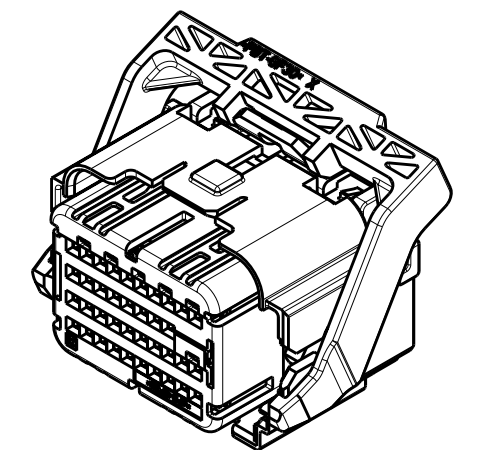
SCALE 2:1



THIS VIEW SHOWS THE
 MODIFIED CAM LEVER
 SCALE 2:1



- NOTE(S):
- APPLICABLE TERMINAL PART NUMBERS (SOLD SEPARATELY):
 FOR TIN APPLICATIONS: 1393367 AND 1393366.
 FOR GOLD APPLICATIONS: 1393365 AND 1393364.
 FOR TERMINATION AND REELING OPTIONS
 SEE DRAWINGS 1393367, 1393366, 1393365, AND 1393364.
 - COMPATIBLE WIRE SIZES FOR MAT SEAL DESIGN 1.19 TO 2.06 O.D.
 (22-18 AWG, 0.35-0.75 mm²)
 - TPA AND CAM LEVER ARE SHIPPED IN THEIR PRE-LOADED POSITION.
 ALL ASSEMBLIES ARE TO BE TRAY PACKAGED.
 - CUSTOMER PART NUMBER AND TRACEABILITY CODE (YY = TWO DIGIT YEAR,
 JJJ = JULIAN DAY, HH = TWO DIGIT MILITARY HOUR, A=ASSEMBLY PROCESS
 USED) ARE PRINTED IN THIS LOCATION.
 - PART ASSEMBLY WEIGHT WITHOUT TERMINALS AND WITH STANDARD PIN-OUT
 CONFIGURATION IS 26.09 GRAMS.
 - OPTIONAL WIRESHIELD P/N 8-1419157-8 (SOLD SEPARATELY). PLEASE CONTACT
 YOUR TYCO ELECTRONICS SALES REPRESENTATIVE FOR AVAILABILITY AND PRICING.



SCALE 1:1

KEYING OPTION "G" SHOWN
 SEE SHEET 2 FOR BILL OF MATERIALS
 AND SHEET 3 FOR PIN-OUT CHARTS

DIMENSIONS: mm		TOLERANCES UNLESS OTHERWISE SPECIFIED: 9 PLC ± 1 PLC ±0.3 5 PLC ±0.10 4 PLC ± ANGLES ±3°		DWN M. FORLSKA 20APR2002 CHK M. FORLSKA 20APR2002 APVD A. VALASEK 20APR2002		Tyco Electronics Harrisburg, PA 17105-3608	
MATERIAL: SEE CHART ON SHEET 2		FINISH:		PRODUCT SPEC: APPLICATION SPEC:		NAME: 40 WAY ARM PLUG ASSEMBLY WITH SHORTING BARS CUSTOMER SPEC.	
WEIGHT: SEE NOTE 5		CUSTOMER DRAWING		SIZE: CAGE CODE DRAWING NO: A11 00779 C=7-1419157-9		RESTRICTED TO: SCALE: 3:1 SHEET 1 OF 3 REV: BT	

LOC	DIST	REVISIONS				
FX	00	P	LTB	DATE	DWN	APVD
				SEE SHEET 1		

ASSEMBLY PART NUMBERS										ITEM	DESCRIPTION	MATERIAL	FINISH/COLOR
										7	CAM LEVER	PBT 30% GF	GRAY
										7	CAM LEVER WITH MODIFIED TAB	PBT 30% GF	GRAY
										6	PERIMETER SEAL	SILICONE	GREEN
										5	GROMMET	SILICONE	BROWN
									6	6	SHORTING BAR	S.S.	SEE COMPONET DRAWING
										3	COVER	PA66 35% GF	BLACK
										2	TPA FOR SHORTING BAR APPLICATIONS	sPS 30% GF	RED
										1	PLUG WITH KEYING OPTION "H" AND 6 SHORTING BAR POSITIONS CONFIGURATION	PA66 35% GF	BLACK
										1	PLUG WITH KEYING OPTION "G" AND 6 SHORTING BAR POSITIONS CONFIGURATION	PA66 35% GF	BLACK
QUANTITY										ITEM	DESCRIPTION	MATERIAL	FINISH/COLOR

ASSEMBLY PART NUMBERS										ITEM	DESCRIPTION	MATERIAL	FINISH/COLOR
										7	CAM LEVER	PBT 30% GF	GRAY
										7	CAM LEVER WITH MODIFIED TAB	PBT 30% GF	GRAY
										6	PERIMETER SEAL	SILICONE	GREEN
										5	GROMMET	SILICONE	BROWN
									6	6	SHORTING BAR	S.S.	SEE COMPONET DRAWING
										3	COVER	PA66 35% GF	BLACK
										2	TPA FOR SHORTING BAR APPLICATIONS	sPS 30% GF	RED
										1	PLUG WITH KEYING OPTION "H" AND 6 SHORTING BAR POSITIONS CONFIGURATION	PA66 35% GF	BLACK
										1	PLUG WITH KEYING OPTION "G" AND 6 SHORTING BAR POSITIONS CONFIGURATION	PA66 35% GF	BLACK
QUANTITY										ITEM	DESCRIPTION	MATERIAL	FINISH/COLOR

ASSEMBLY PART NUMBERS										ITEM	DESCRIPTION	MATERIAL	FINISH/COLOR
										7	CAM LEVER	PBT 30% GF	GRAY
										7	CAM LEVER WITH MODIFIED TAB	PBT 30% GF	GRAY
										6	PERIMETER SEAL	SILICONE	GREEN
										5	GROMMET	SILICONE	BROWN
									6	6	SHORTING BAR	S.S.	SEE COMPONET DRAWING
										3	COVER	PA66 35% GF	BLACK
										2	TPA FOR SHORTING BAR APPLICATIONS	sPS 30% GF	RED
										1	PLUG WITH KEYING OPTION "H" AND 6 SHORTING BAR POSITIONS CONFIGURATION	PA66 35% GF	BLACK
										1	PLUG WITH KEYING OPTION "G" AND 6 SHORTING BAR POSITIONS CONFIGURATION	PA66 35% GF	BLACK
QUANTITY										ITEM	DESCRIPTION	MATERIAL	FINISH/COLOR

DIMENSIONS: mm		TOLERANCES UNLESS OTHERWISE SPECIFIED: 9 PLC ±.3 1 PLC ±.3 3 PLC ±.10 5 PLC ±.10 4 PLC ±.10 ANGLES ±.3° FINISH		DWN 20APR2002 CHK M. FORLSKA M. FORLSKA APVD A. VALASEK PRODUCT SPEC APPLICATION SPEC WEIGHT CUSTOMER DRAWING		Tyco Electronics Harrisburg, PA 17105-3608 NAME 40 WAY ARM PLUG ASSEMBLY WITH SHORTING BARS CUSTOMER SPEC. SIZE CAGE CODE DRAWING NO A11 00779 C=7-1419157-9 RESTRICTED TO SCALE 3:1 SHEET 2 OF 3 REV BT	
-------------------	--	---	--	--	--	---	--

LOC: FX, DIST: 00. REVISIONS table with columns for P, LTR, DESCRIPTION, DATE, DWN, APVD.

CHART 2

Main grid table for CHART 2, containing terminal hole positions and assembly part numbers for various keying options.

CHART 1

Main grid table for CHART 1, containing terminal hole positions and assembly part numbers for various keying options.

TERMINAL HOLE POSITION. CAVITIES WITH A NUMERIC SYMBOL INDICATE CLOSED TERMINAL HOLE POSITIONS. BLANK CAVITIES INDICATE OPEN TERMINAL HOLE POSITIONS.

TERMINAL HOLE POSITION. CAVITIES WITH A NUMERIC SYMBOL INDICATE CLOSED TERMINAL HOLE POSITIONS. BLANK CAVITIES INDICATE OPEN TERMINAL HOLE POSITIONS.

Technical specifications including dimensions, tolerances, materials, and drawing information for the plug assembly.

Данный компонент на территории Российской Федерации

Вы можете приобрести в компании MosChip.

Для оперативного оформления запроса Вам необходимо перейти по данной ссылке:

<http://moschip.ru/get-element>

Вы можете разместить у нас заказ для любого Вашего проекта, будь то серийное производство или разработка единичного прибора.

В нашем ассортименте представлены ведущие мировые производители активных и пассивных электронных компонентов.

Нашей специализацией является поставка электронной компонентной базы двойного назначения, продукции таких производителей как XILINX, Intel (ex.ALTERA), Vicor, Microchip, Texas Instruments, Analog Devices, Mini-Circuits, Amphenol, Glenair.

Сотрудничество с глобальными дистрибьюторами электронных компонентов, предоставляет возможность заказывать и получать с международных складов практически любой перечень компонентов в оптимальные для Вас сроки.

На всех этапах разработки и производства наши партнеры могут получить квалифицированную поддержку опытных инженеров.

Система менеджмента качества компании отвечает требованиям в соответствии с ГОСТ Р ИСО 9001, ГОСТ РВ 0015-002 и ЭС РД 009

Офис по работе с юридическими лицами:

105318, г.Москва, ул.Щербаковская д.3, офис 1107, 1118, ДЦ «Щербаковский»

Телефон: +7 495 668-12-70 (многоканальный)

Факс: +7 495 668-12-70 (доб.304)

E-mail: info@moschip.ru

Skype отдела продаж:

moschip.ru

moschip.ru_4

moschip.ru_6

moschip.ru_9