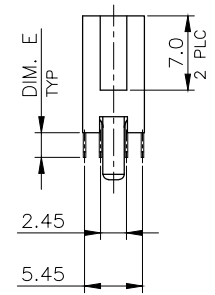
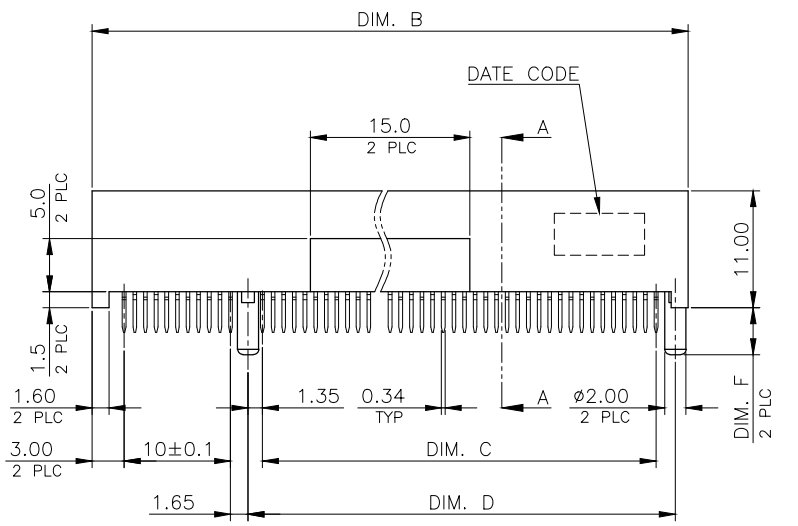
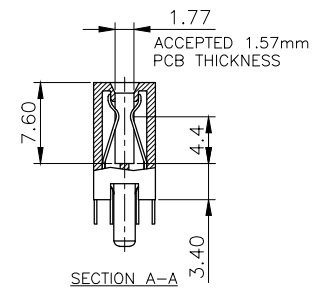
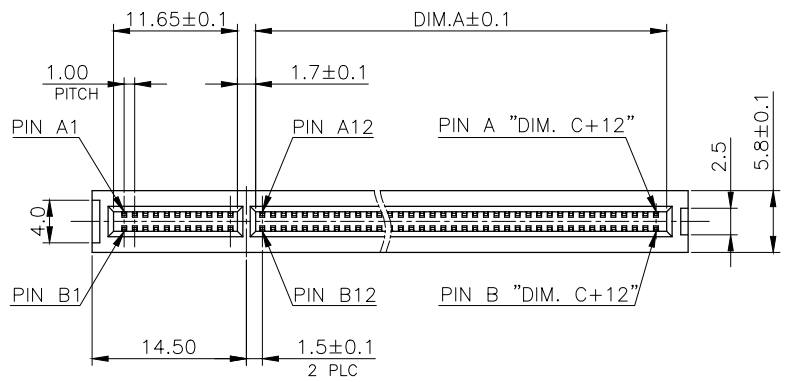
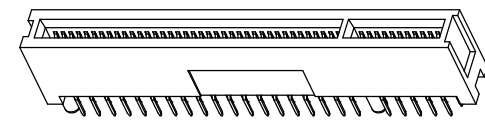


THIS DRAWING IS UNPUBLISHED. RELEASED FOR PUBLICATION
 © COPYRIGHT 2011 BY TYCO ELECTRONICS CORPORATION. ALL RIGHTS RESERVED.

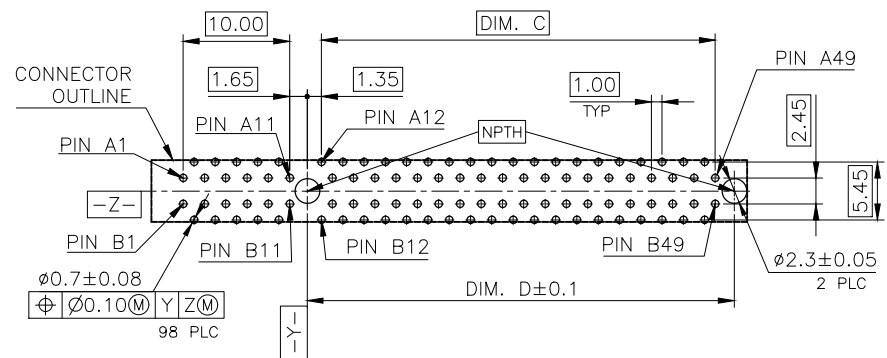
| LOC | | DIST | | REVISIONS | | | |
|-----|-----|--------------------------------------|--|-----------|------|------|--|
| P | LTR | DESCRIPTION | | DATE | DWN | APVD | |
| B2 | | REVISED (ECR-15-000838) , ADD NEW PN | | 20JAN15 | S.C. | H.L. | |



- NOTE:
- MATERIAL:
HOUSING: LCP WITH 30% GF, UL 94V-0, WHITE COLOR.
CONTACTS: PHOSPHOR BRONZE.
 - FINISH:
CONTACTS: GOLD PLATED (SEE TABLE) ON CONTACT AREA
2.54µm [100µ"] MIN. MATTE-TIN PLATING ON SOLDER AREA
1.27µm [50µ"] MIN. NICKEL UNDERPLATED OVERALL.
 - WAVE SOLDER CAPABLE TO 265°C PER TEST SPEC 109-202, CONDITION B.
 - REFLOW SOLDER CAPABLE TO 260°C PER TE SPEC. TEC-109-201, CONDITION B.
 - SPECIAL PACKAGE PER CUSTOMER REQUEST(SEE PAGE 4).



| | | | | | | | | | |
|----------------|-------|-------|-------|-------|-------|-------|-----|---------------------|-------------|
| 6.8 | 4.40 | 2.3 | 73.15 | 70.00 | 89.00 | 71.65 | 164 | 0.381µm [15µ"] | 1-2041612-5 |
| 6.8 | 2.00 | 1.5 | 73.15 | 70.00 | 89.00 | 71.65 | 164 | 0.381µm [15µ"] | 2041612-7 |
| 6.8 | 4.40 | 2.3 | 73.15 | 70.00 | 89.00 | 71.65 | 164 | 0.762µm [30µ"] | 2041612-6 |
| | | | | | | | | 0.381µm [15µ"] | 2041612-5 |
| 4.2 | 4.40 | 2.3 | 40.15 | 37.00 | 56.00 | 38.65 | 98 | GOLD FLASH | 2041612-4 |
| | | | | | | | | 0.762µm [30µ"] | 2041612-3 |
| | | | | | | | | 0.381µm [15µ"] | 2041612-2 |
| WEIGHT (GRAMS) | DIM F | DIM E | DIM D | DIM C | DIM B | DIM A | POS | MIN. GOLD THICKNESS | PART NUMBER |
| | | | | | | | | | |



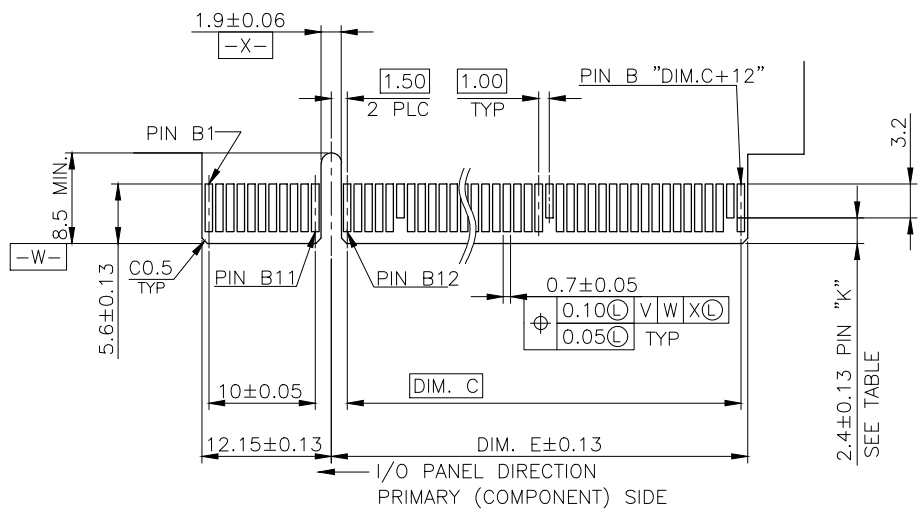
TOLERANCE: ±0.05, THICKNESS: 1.6mm
 RECOMMENDED PCB LAYOUT

THIS DRAWING IS A CONTROLLED DOCUMENT.

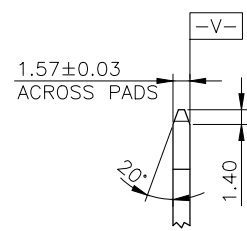
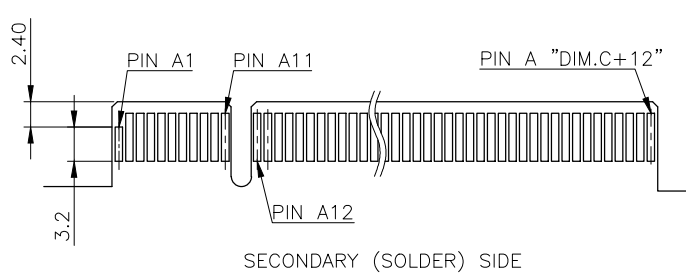
| | | | |
|-------------------|---|--------------------------|--|
| DIMENSIONS: mm | TOLERANCES UNLESS OTHERWISE SPECIFIED: | DWN E. LIU 11NOV2009 | TE Connectivity PCI EXPRESS CARD EDGE CONNECTOR VERTICAL, SLIM, DIP TYPE |
| | 0 PLC ± - 1 PLC ± 0.3 2 PLC ± 0.2 3 PLC ± 0.15 4 PLC ± - ANGLES ± 3° | CHK S. CHIEN 11NOV2009 | |
| | | APVD W. KODAMA 11NOV2009 | |
| | | PRODUCT SPEC 108-57787 | |
| MATERIAL SEE NOTE | FINISH SEE NOTE | APPLICATION SPEC | NAME SIZE CAGE CODE DRAWING NO RESTRICTED TO WEIGHT SEE TABLE A3 00779 C=2041612 CUSTOMER DRAWING SCALE SHEET 1 of 4 REV B2 |

THIS DRAWING IS UNPUBLISHED. RELEASED FOR PUBLICATION
 © COPYRIGHT 2011 BY TYCO ELECTRONICS CORPORATION. ALL RIGHTS RESERVED.

| | | | | | | | |
|-----|------|-----------|-----|--------------|------|-----|------|
| LOC | DIST | REVISIONS | | | | | |
| DW | | P | LTR | DESCRIPTION | DATE | DWN | APVD |
| | | | | SEE SHEET 1. | | | |



ADD-IN CARD EDGE-FINGER DIMENSIONS



| | | | |
|------|--------|--------|-----------------|
| 164 | 70.0 | 72.15 | B17,B31,B48,B81 |
| 98 | 37.0 | 39.15 | B17,B31,B48 |
| POS. | DIM. C | DIM. E | "K" |

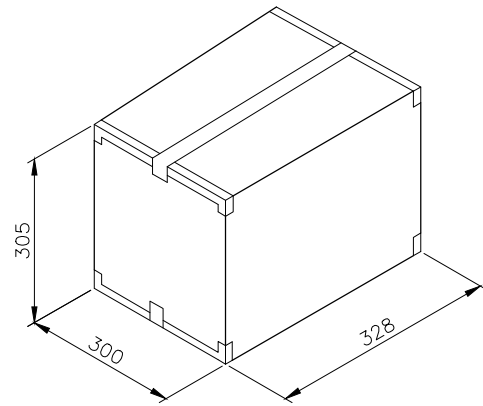
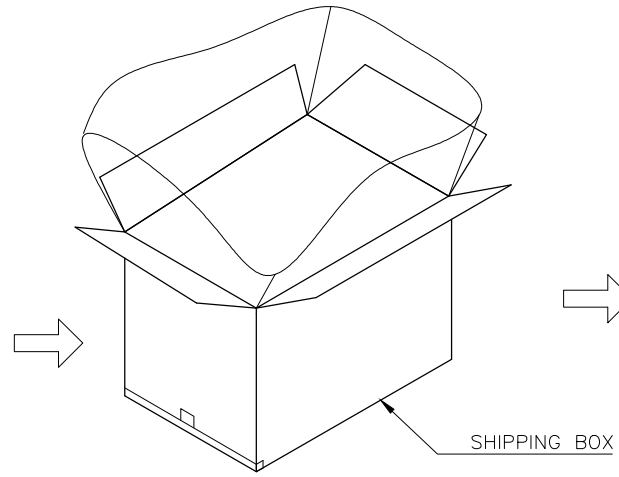
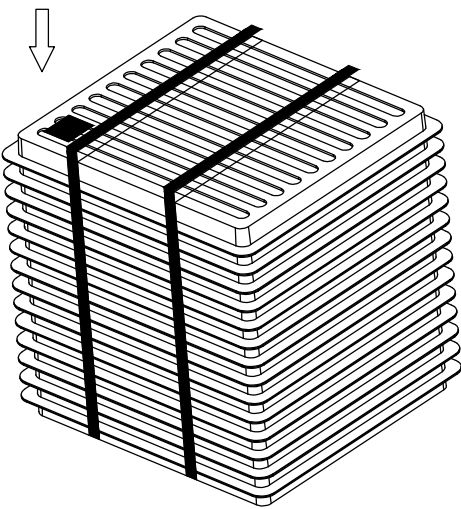
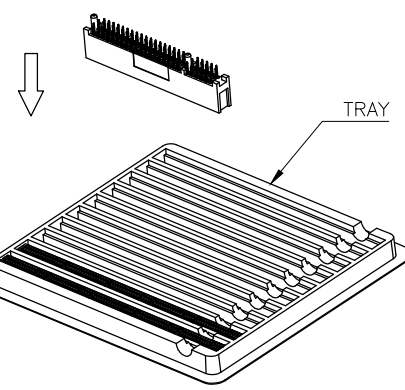
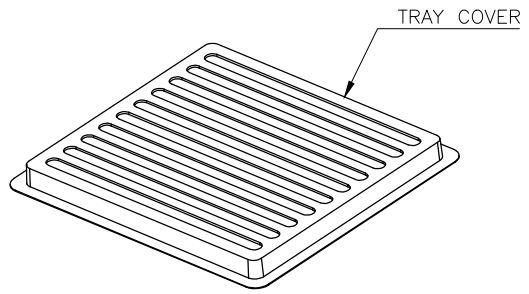
| | | | | | | |
|--|--|------------------|---|-----------|------------|---------------|
| THIS DRAWING IS A CONTROLLED DOCUMENT. | | DWN | STE TE Connectivity | | | |
| DIMENSIONS: mm | | CHK | | | | NAME |
| TOLERANCES UNLESS OTHERWISE SPECIFIED: | | APVD | PCI EXPRESS CARD EDGE CONNECTOR VERTICAL, SLIM, DIP TYPE | | | |
| 0 PLC ± - | | PRODUCT SPEC | SIZE | CAGE CODE | DRAWING NO | RESTRICTED TO |
| 1 PLC ± 0.3 | | APPLICATION SPEC | A3 | 00779 | C=2041612 | - |
| 2 PLC ± 0.2 | | WEIGHT | CUSTOMER DRAWING | | SCALE | SHEET 2 of 4 |
| 3 PLC ± 0.15 | | | | | | REV B2 |
| 4 PLC ± - | | | | | | |
| ANGLES ± 3' | | | | | | |
| MATERIAL | | | | | | |
| FINISH | | | | | | |

THIS DRAWING IS UNPUBLISHED. RELEASED FOR PUBLICATION
 © COPYRIGHT 2011 BY TYCO ELECTRONICS CORPORATION. ALL RIGHTS RESERVED.

| | | | | | | | |
|-----|------|-----------|-----|--------------|------|-----|------|
| LOC | DIST | REVISIONS | | | | | |
| DW | | P | LTR | DESCRIPTION | DATE | DWN | APVD |
| | | | | SEE SHEET 1. | | | |

- NOTES:
- MATERIAL
 - TRAY: PVC
 - CONVER TRAY: PVC
 - SHIPPING BOX: CORRUGATED FIBER
 - DIMENSION
 - TRAY: 320mm(L) X 295mm(W) X 21mm(H)
 - BOX: 326mm(L) X 300mm(W) X 305mm(H)
 - QUANTITY: SEE TABLE.
 - WEIGHT: SEE TABLE.

| | | | | | |
|---------|-----------------|---------------|----------------|-----------------|-------------------|
| 164 | 60 | 14 | 840 | 5.7 | 9.4 |
| 98 | 100 | 14 | 1400 | 5.9 | 9.6 |
| POS NO. | PIECES PER TRAY | TRAYS PER BOX | PIECES PER BOX | NET WEIGHT (Kg) | GROSS WEIGHT (Kg) |



| |
|-------------|
| 2041612-7 |
| 2041612-6 |
| 2041612-5 |
| 2041612-4 |
| 2041612-3 |
| 2041612-2 |
| 2041612-1 |
| PART NUMBER |

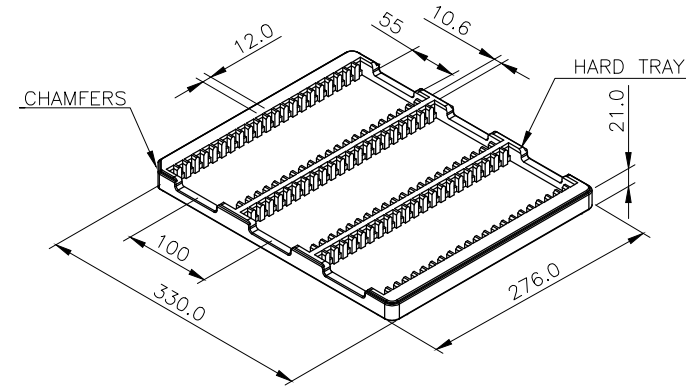
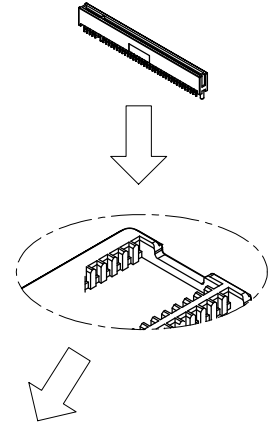
| | | | | | |
|--|--|------------------|--|-----------|------------|
| THIS DRAWING IS A CONTROLLED DOCUMENT. | | DWN | TE Connectivity | | |
| DIMENSIONS: mm | | CHK | NAME | | |
| TOLERANCES UNLESS OTHERWISE SPECIFIED: | | APVD | PCI EXPRESS CARD EDGE CONNECTOR VERTICAL, SLIM, DIP TYPE | | |
| 0 PLC ± | | PRODUCT SPEC | SIZE | CAGE CODE | DRAWING NO |
| 1 PLC ±0.3 | | APPLICATION SPEC | A3 | 00779 | C=2041612 |
| 2 PLC ±0.2 | | WEIGHT | RESTRICTED TO | | |
| 3 PLC ±0.15 | | CUSTOMER DRAWING | SCALE | | |
| 4 PLC ± | | | SHEET 3 of 4 | | |
| ANGLES ±3' | | | REV B2 | | |
| MATERIAL | | | | | |
| FINISH | | | | | |

THIS DRAWING IS UNPUBLISHED. RELEASED FOR PUBLICATION
 © COPYRIGHT 2011 BY TYCO ELECTRONICS CORPORATION. ALL RIGHTS RESERVED.

| | | | | | |
|-----------|------|--------------|------|-----|------|
| LOC DW | DIST | REVISIONS | | | |
| P | LTR | DESCRIPTION | DATE | DWN | APVD |
| | | SEE SHEET 1. | | | |

D

D



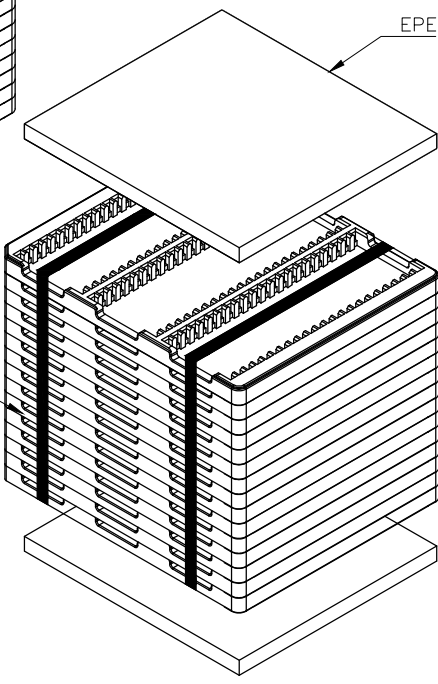
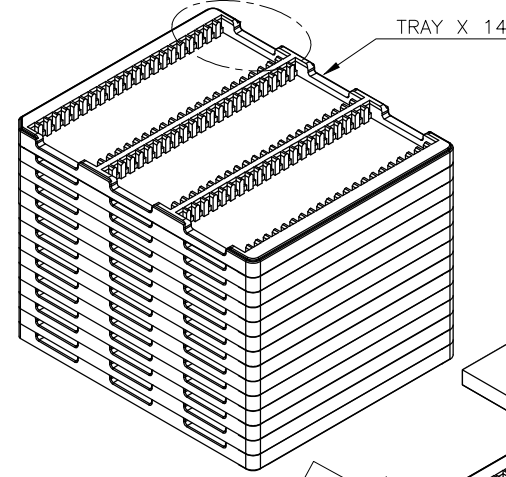
NOTES:

1. MATERIAL
 - 1.1 TRAY; ABS, COLOR: BLACK.
 - 1.2 CARTON: CORRUGATED FIBER.
 - 1.3 TRANSPARENT BAG; PE, SIZE: 500mm*380mm*0.06mm.
2. EACH BAG SHALL BE INCLUDED:: * DESICCANT
3. DIMENSION
 - 3.1 TRAY: 330mm(L) X 276mm(W) X 21mm(H)
 - 3.2 BOX: 332mm(L) X 295mm(W) X 345mm(H)
4. QUANTITY: SEE TABLE.
5. WEIGHT: SEE TABLE.

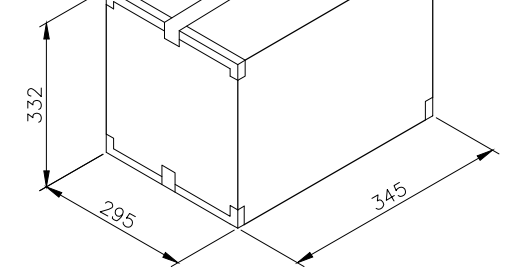
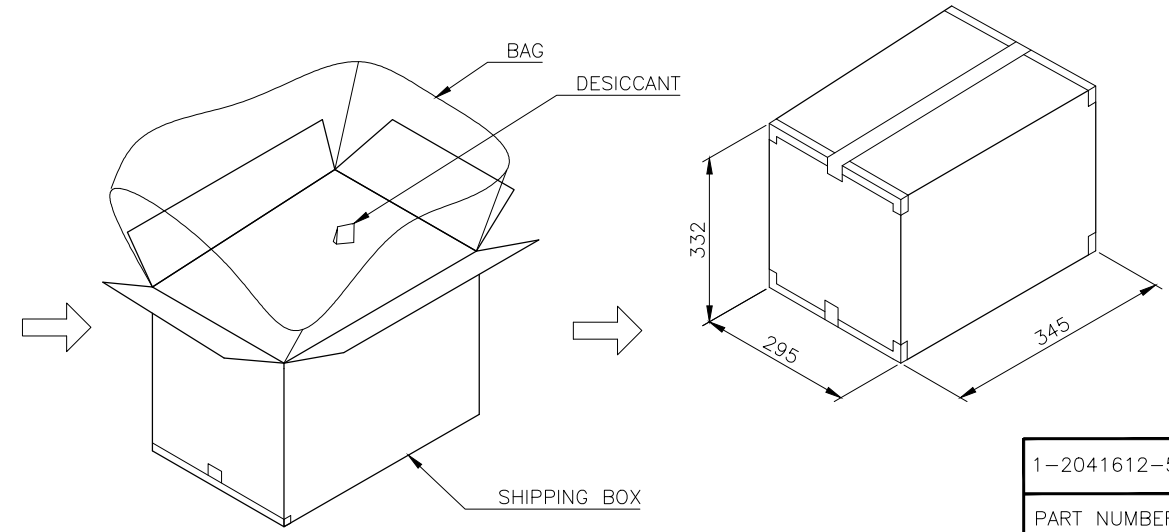
| | | | | | |
|---------|-----------------|---------------|----------------|-----------------|-------------------|
| 164 | 66 | 14 | 924 | 5.7 | 11 |
| POS NO. | PIECES PER TRAY | TRAYS PER BOX | PIECES PER BOX | NET WEIGHT (Kg) | GROSS WEIGHT (Kg) |

C

C



14 TRAY + 1 COVER TRAY



1-2041612-5
 PART NUMBER

B

B

A

A

| | | | | | |
|--|--|------------------|--|-----------|------------|
| THIS DRAWING IS A CONTROLLED DOCUMENT. | | DWN | TE Connectivity | | |
| DIMENSIONS: mm | | CHK | NAME | | |
| TOLERANCES UNLESS OTHERWISE SPECIFIED: | | APVD | PCI EXPRESS CARD EDGE CONNECTOR VERTICAL, SLIM, DIP TYPE | | |
| 0 PLC ± - | | PRODUCT SPEC | SIZE | CAGE CODE | DRAWING NO |
| 1 PLC ± - | | APPLICATION SPEC | A3 | 00779 | C-2041612 |
| 2 PLC ± - | | WEIGHT | RESTRICTED TO | | |
| 3 PLC ± - | | CUSTOMER DRAWING | SCALE | | |
| 4 PLC ± - | | | SHEET 4 of 4 | | |
| ANGLES ± - | | | REV B2 | | |
| FINISH | | | | | |

Данный компонент на территории Российской Федерации

Вы можете приобрести в компании MosChip.

Для оперативного оформления запроса Вам необходимо перейти по данной ссылке:

<http://moschip.ru/get-element>

Вы можете разместить у нас заказ для любого Вашего проекта, будь то серийное производство или разработка единичного прибора.

В нашем ассортименте представлены ведущие мировые производители активных и пассивных электронных компонентов.

Нашей специализацией является поставка электронной компонентной базы двойного назначения, продукции таких производителей как XILINX, Intel (ex.ALTERA), Vicor, Microchip, Texas Instruments, Analog Devices, Mini-Circuits, Amphenol, Glenair.

Сотрудничество с глобальными дистрибьюторами электронных компонентов, предоставляет возможность заказывать и получать с международных складов практически любой перечень компонентов в оптимальные для Вас сроки.

На всех этапах разработки и производства наши партнеры могут получить квалифицированную поддержку опытных инженеров.

Система менеджмента качества компании отвечает требованиям в соответствии с ГОСТ Р ИСО 9001, ГОСТ РВ 0015-002 и ЭС РД 009

Офис по работе с юридическими лицами:

105318, г.Москва, ул.Щербаковская д.3, офис 1107, 1118, ДЦ «Щербаковский»

Телефон: +7 495 668-12-70 (многоканальный)

Факс: +7 495 668-12-70 (доб.304)

E-mail: info@moschip.ru

Skype отдела продаж:

moschip.ru

moschip.ru_4

moschip.ru_6

moschip.ru_9