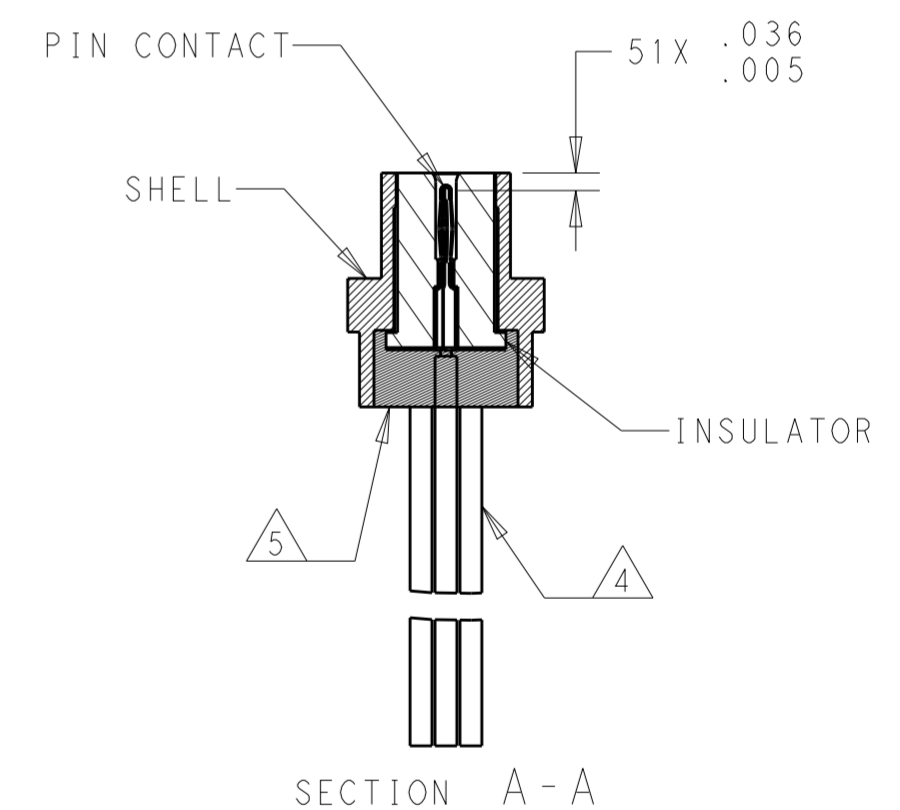
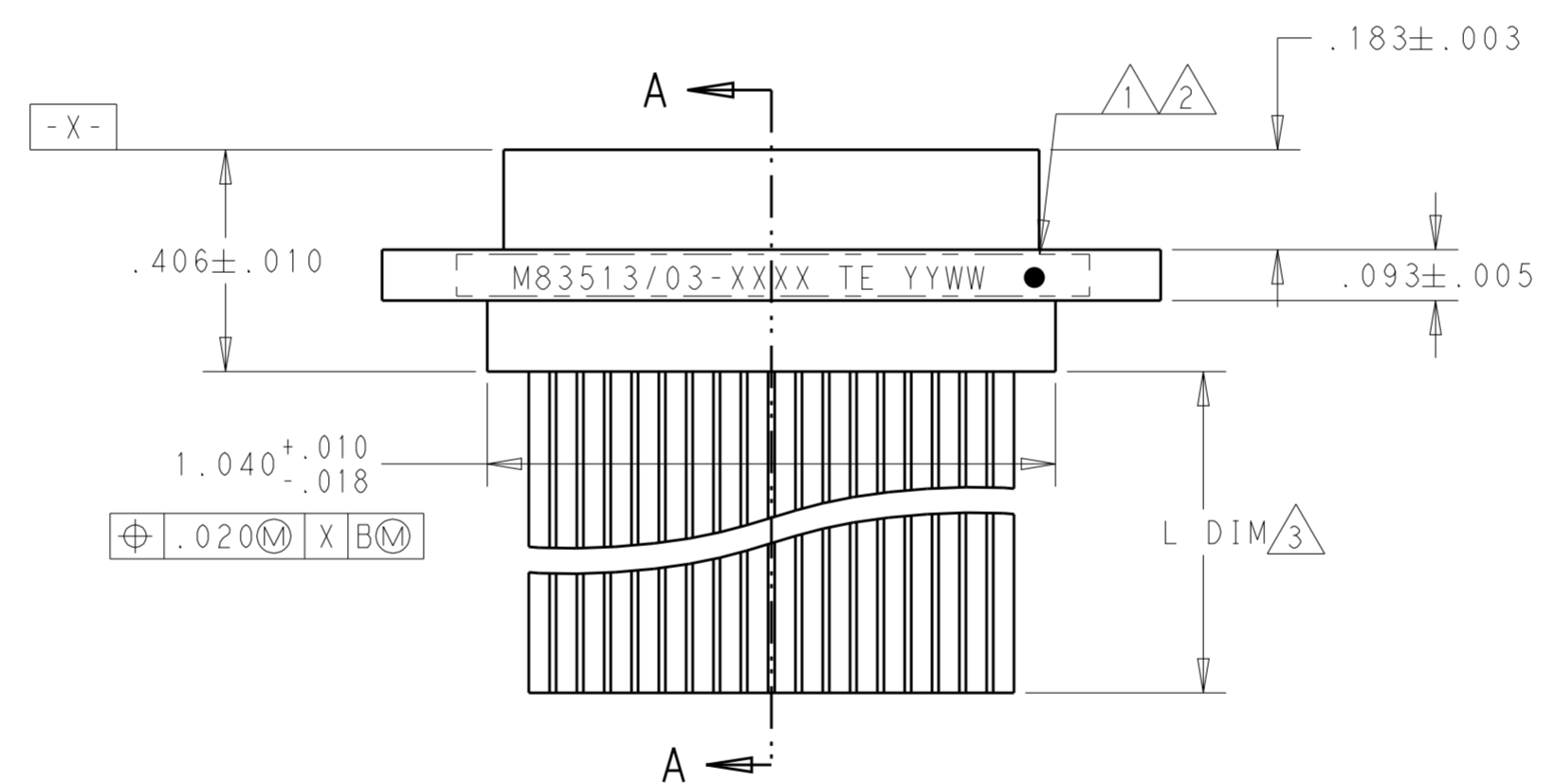
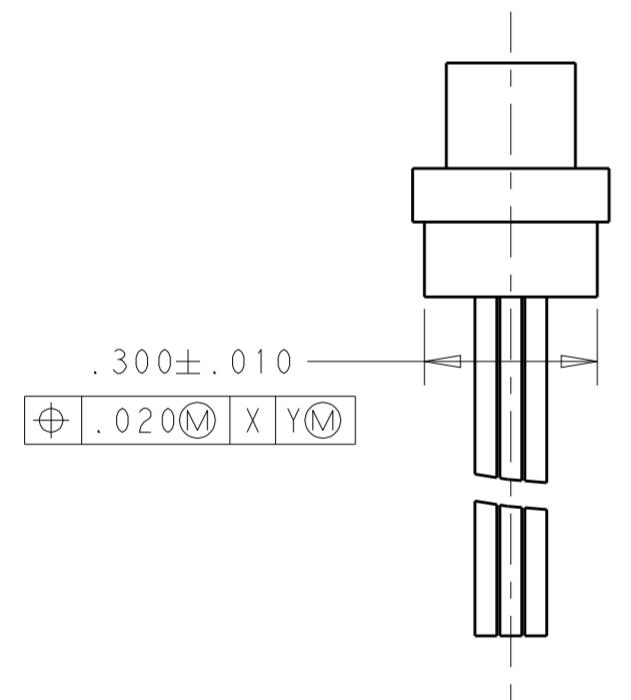
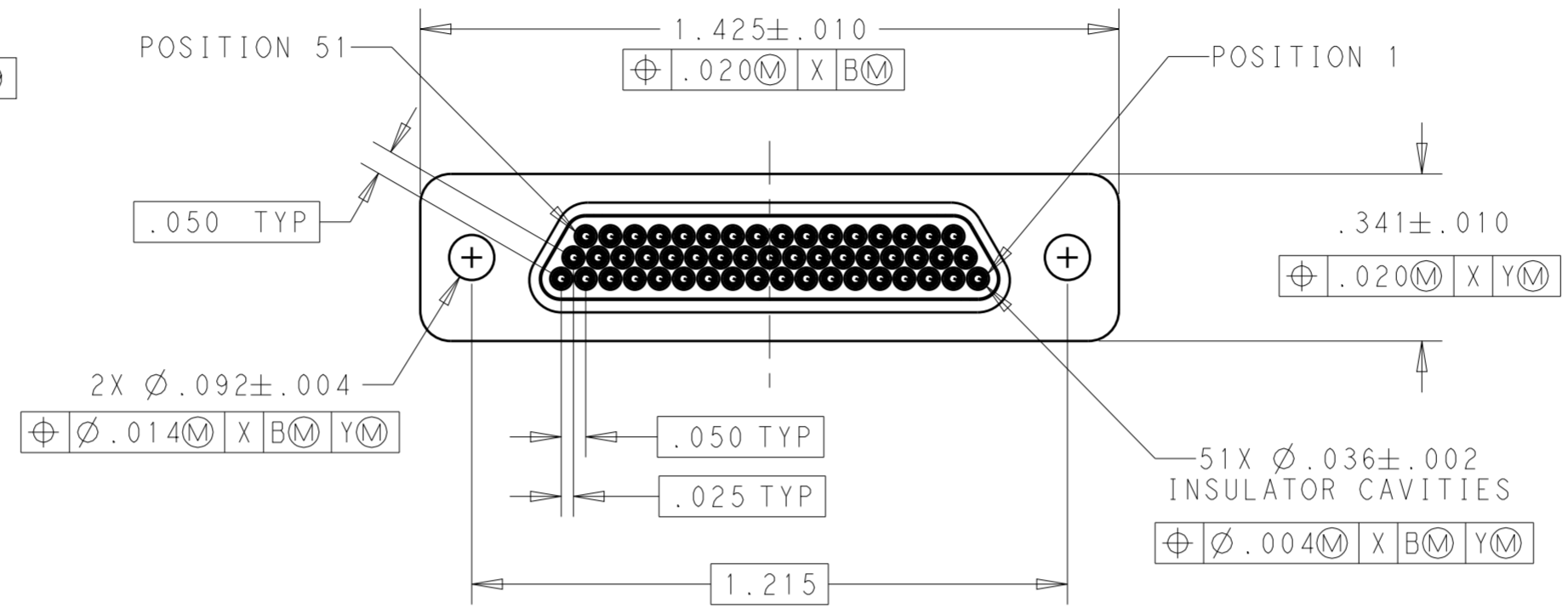
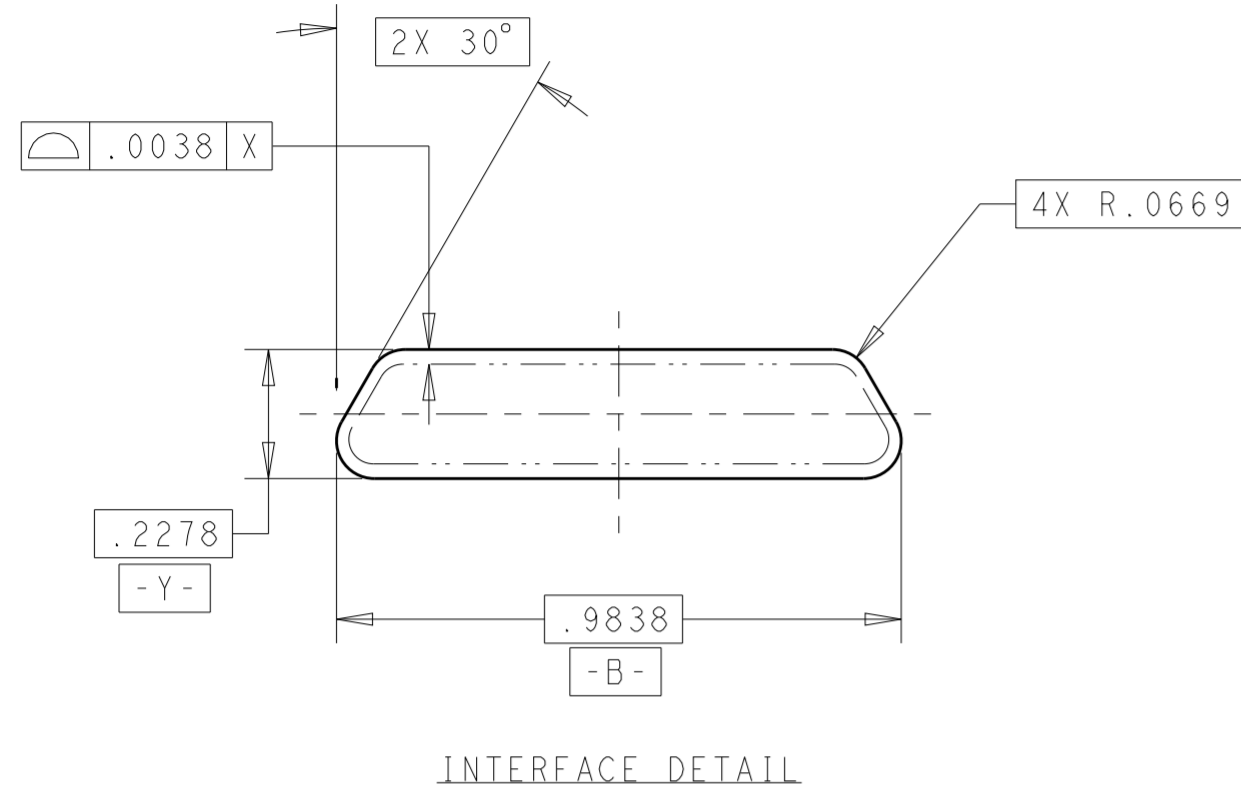


THIS DRAWING IS UNPUBLISHED. RELEASED FOR PUBLICATION 20  
 © COPYRIGHT 20 BY - ALL RIGHTS RESERVED.

| REVISIONS |     |                          |           |       |
|-----------|-----|--------------------------|-----------|-------|
| P         | LTR | DESCRIPTION              | DATE      | APVD  |
| B         |     | UPDATE PER ECO-16-006602 | 28APR2016 | DS CS |
|           |     |                          |           |       |
|           |     |                          |           |       |



- 1 CONNECTOR SHALL BE MARKED IN ACCORDANCE WITH METHOD 1 OF MIL-STD-1285. MARKING SHALL CONTAIN THE MILITARY PIN, CAGE CODE (OR TE), AND DATE CODE. EXAMPLE: M83513/03-XXXX TE YYWW (WHERE XXXX IS PART OF THE PIN SHOWN IN THE "MIL-DTL-83513" COLUMN OF THE PART NUMBER TABLE, AND YYWW IS THE DATE CODE). TEXT HEIGHT SHALL BE .035 INCH MINIMUM.
- 2 POSITION 1 SHALL BE INDICATED BY AN IDENTIFIABLE MARK, LOCATED APPROXIMATELY AS SHOWN ON THE POSITION 1 SIDE OF THE CONNECTOR FLANGE. THIS MARK SHALL BE INCLUDED AS PART OF THE PART MARKING INFORMATION.
- 3 LENGTH IS SHOWN IN THE "L DIM" COLUMN OF THE PART NUMBER TABLE. LENGTH TOLERANCE IS +1.0/-0.0 FOR INSULATED WIRE TERMINATIONS, AND +0.20/-0.00 FOR UNINSULATED WIRE TERMINATIONS
- 4 INSULATED WIRE IS SHOWN FOR REFERENCE ONLY. PART MAY BE TERMINATED WITH INSULATED OR UNINSULATED WIRE ACCORDING TO THE PART NUMBER TABLE.
- 5 EPOXY ENCAPSULATION. EPOXY MAY WICK .125 INCH MAX FOR INSULATED WIRE, AND .050 INCH MAX FOR UNINSULATED WIRE.
- 6 ALL DIMENSIONS AND REQUIREMENTS ARE PER MIL-DTL-83513/3.


|  |  |                    |           |   |
|--|--|--------------------|-----------|---|
| THIS DRAWING IS A CONTROLLED DOCUMENT. |  | DWN<br>B ROMANCHUK | 03SEP2008 | TE Connectivity   |
| DIMENSIONS:<br>IN                      |  | CHK<br>M STORRY    | 03SEP2008 |   |
| TOLERANCES UNLESS OTHERWISE SPECIFIED: |  | APVD               |           | NAME<br>PLUG ASSEMBLY<br>MICRO-D PER MIL-DTL-83513/03<br>MCKS SERIES, 51 POSITION |
| 0 PLC ±                                |  | PRODUCT SPEC       |           | SIZE<br>A2  |
| 1 PLC ±                                |  | APPLICATION SPEC   |           | CAGE CODE<br>98278  |
| 2 PLC ±.010                            |  | WEIGHT             |           | DRAWING NO<br>C-1532185   |
| 3 PLC ±.005                            |  | CUSTOMER DRAWING   |           | RESTRICTED TO   |
| 4 PLC ±                                |  | SCALE              | 3:1       | SHEET   |
| ANGLES ±1°                             |  |                    |           | 1 OF 2  |
| FINISH                                 |  |                    |           | REV   |
| MATERIAL<br>SEE NOTES                  |  |                    |           | B   |

THIS DRAWING IS UNPUBLISHED. RELEASED FOR PUBLICATION 20  
 © COPYRIGHT 20 BY - ALL RIGHTS RESERVED.

| REVISIONS |     |             |      |      |
|-----------|-----|-------------|------|------|
| P         | LTR | DESCRIPTION | DATE | APVD |
|           |     | SEE SHEET 1 |      |      |
|           |     |             |      |      |
|           |     |             |      |      |

| TE PART NUMBER | L DIM | MIL-DTL-83513 PIN | MICRODOT P/N  | MCKS DESCRIPTION      |
|----------------|-------|-------------------|---------------|-----------------------|
| 1532185-1      | 18    | M83513/03-G01N    | 094-6725-0001 | MCKS-N1-B-51P6G1-18.0 |
| 1532185-2      | 36    | M83513/03-G02N    | 094-6725-0002 | MCKS-N1-B-51P6G1-36.0 |
| 1532185-3      | 18    | M83513/03-G03N    | 094-6725-0003 | MCKS-N1-B-51P6G9-18.0 |
| 1532185-4      | 36    | M83513/03-G04N    | 094-6725-0004 | MCKS-N1-B-51P6G9-36.0 |
| 1532185-5      | 18    | M83513/03-G09N    | 094-6725-0009 | MCKS-N1-B-51P6Q1-18.0 |
| 1532185-6      | 36    | M83513/03-G10N    | 094-6725-0010 | MCKS-N1-B-51P6Q1-36.0 |
| 1532185-7      | 18    | M83513/03-G11N    | 094-6725-0011 | MCKS-N1-B-51P6Q9-18.0 |
| 1532185-8      | 36    | M83513/03-G12N    | 094-6725-0012 | MCKS-N1-B-51P6Q9-36.0 |
| 1532185-9      | 72    | M83513/03-G13N    | 094-6725-0013 | MCKS-N1-B-51P6G1-72.0 |
| 1-1532185-0    | 72    | M83513/03-G14N    | 094-6725-0014 | MCKS-N1-B-51P6G9-72.0 |
| 1-1532185-1    | 72    | M83513/03-G15N    | 094-6725-0015 | MCKS-N1-B-51P6Q1-72.0 |
| 1-1532185-2    | 72    | M83513/03-G16N    | 094-6725-0016 | MCKS-N1-B-51P6Q9-72.0 |
| 1-1532185-3    | 0.5   | M83513/03-G05N    | 094-6725-0005 | MCKS-N1-B-51P5L4-0.5  |
| 1-1532185-4    | 1.0   | M83513/03-G06N    | 094-6725-0006 | MCKS-N1-B-51P5L4-1.0  |
| 1-1532185-5    | 0.5   | M83513/03-G07N    | 094-6725-0007 | MCKS-N1-B-51P5L5-0.5  |
| 1-1532185-6    | 1.0   | M83513/03-G08N    | 094-6725-0008 | MCKS-N1-B-51P5L5-1.0  |
| 1-1532185-7    | 18    | M83513/03-G01C    | 094-6735-0001 | MCKS-C2-B-51P6G1-18.0 |
| 1-1532185-8    | 36    | M83513/03-G02C    | 094-6735-0002 | MCKS-C2-B-51P6G1-36.0 |
| 1-1532185-9    | 18    | M83513/03-G03C    | 094-6735-0003 | MCKS-C2-B-51P6G9-18.0 |
| 2-1532185-0    | 36    | M83513/03-G04C    | 094-6735-0004 | MCKS-C2-B-51P6G9-36.0 |
| 2-1532185-1    | 0.5   | M83513/03-G05C    | 094-6735-0005 | MCKS-C2-B-51P5L4-0.5  |
| 2-1532185-2    | 1.0   | M83513/03-G06C    | 094-6735-0006 | MCKS-C2-B-51P5L4-1.0  |
| 2-1532185-3    | 0.5   | M83513/03-G07C    | 094-6735-0007 | MCKS-C2-B-51P5L5-0.5  |
| 2-1532185-4    | 1.0   | M83513/03-G08C    | 094-6735-0008 | MCKS-C2-B-51P5L5-1.0  |
| 2-1532185-5    | 18    | M83513/03-G09C    | 094-6735-0009 | MCKS-C2-B-51P6Q1-18.0 |
| 2-1532185-6    | 36    | M83513/03-G10C    | 094-6735-0010 | MCKS-C2-B-51P6Q1-36.0 |
| 2-1532185-7    | 18    | M83513/03-G11C    | 094-6735-0011 | MCKS-C2-B-51P6Q9-18.0 |
| 2-1532185-8    | 36    | M83513/03-G12C    | 094-6735-0012 | MCKS-C2-B-51P6Q9-36.0 |
| 2-1532185-9    | 72    | M83513/03-G13C    | 094-6735-0013 | MCKS-C2-B-51P6G1-72.0 |
| 3-1532185-0    | 72    | M83513/03-G14C    | 094-6735-0014 | MCKS-C2-B-51P6G9-72.0 |
| 3-1532185-1    | 72    | M83513/03-G15C    | 094-6735-0015 | MCKS-C2-B-51P6Q1-72.0 |
| 3-1532185-2    | 72    | M83513/03-G16C    | 094-6735-0016 | MCKS-C2-B-51P6Q9-72.0 |

| TE PART NUMBER | L DIM | MIL-DTL-83513 PIN | MICRODOT P/N  | MCKS DESCRIPTION      |
|----------------|-------|-------------------|---------------|-----------------------|
| 3-1532185-3    | 18    | M83513/03-G01P    | 094-6745-0001 | MCKS-P1-B-51P6G1-18.0 |
| 3-1532185-4    | 36    | M83513/03-G02P    | 094-6745-0002 | MCKS-P1-B-51P6G1-36.0 |
| 3-1532185-5    | 18    | M83513/03-G03P    | 094-6745-0003 | MCKS-P1-B-51P6G9-18.0 |
| 3-1532185-6    | 36    | M83513/03-G04P    | 094-6745-0004 | MCKS-P1-B-51P6G9-36.0 |
| 3-1532185-7    | 0.5   | M83513/03-G05P    | 094-6745-0005 | MCKS-P1-B-51P5L4-0.5  |
| 3-1532185-8    | 1.0   | M83513/03-G06P    | 094-6745-0006 | MCKS-P1-B-51P5L4-1.0  |
| 3-1532185-9    | 0.5   | M83513/03-G07P    | 094-6745-0007 | MCKS-P1-B-51P5L5-0.5  |
| 4-1532185-0    | 1.0   | M83513/03-G08P    | 094-6745-0008 | MCKS-P1-B-51P5L5-1.0  |
| 4-1532185-1    | 18    | M83513/03-G09P    | 094-6745-0009 | MCKS-P1-B-51P6Q1-18.0 |
| 4-1532185-2    | 36    | M83513/03-G10P    | 094-6745-0010 | MCKS-P1-B-51P6Q1-36.0 |
| 4-1532185-3    | 18    | M83513/03-G11P    | 094-6745-0011 | MCKS-P1-B-51P6Q9-18.0 |
| 4-1532185-4    | 36    | M83513/03-G12P    | 094-6745-0012 | MCKS-P1-B-51P6Q9-36.0 |
| 4-1532185-5    | 72    | M83513/03-G13P    | 094-6745-0013 | MCKS-P1-B-51P6G1-72.0 |
| 4-1532185-6    | 72    | M83513/03-G14P    | 094-6745-0014 | MCKS-P1-B-51P6G9-72.0 |
| 4-1532185-7    | 72    | M83513/03-G15P    | 094-6745-0015 | MCKS-P1-B-51P6Q1-72.0 |
| 4-1532185-8    | 72    | M83513/03-G16P    | 094-6745-0016 | MCKS-P1-B-51P6Q9-72.0 |

|   |  |                       |              |   |                    |
|---|--|-----------------------|--------------|---|--------------------|
| THIS DRAWING IS A CONTROLLED DOCUMENT.                      |  | DWN<br>B ROMANCHUK    | 03SEP2008    |  TE Connectivity |                    |
| DIMENSIONS:<br>IN   |  | CHK<br>-              | -            |   |                    |
| TOLERANCES UNLESS OTHERWISE SPECIFIED:                      |  | APVD<br>M. STORRY     | 03SEP2008    | NAME<br>PLUG ASSEMBLY   |                    |
| 0 PLC ±<br>1 PLC ±<br>2 PLC ±.010<br>3 PLC ±.005<br>4 PLC ± |  | PRODUCT SPEC<br>-     |              | MICRO-D PER MIL-DTL-83513/03  |                    |
| ANGLES ±1°  |  | APPLICATION SPEC<br>- |              | MCKS SERIES, 51 POSITION  |                    |
| FINISH  |  | WEIGHT<br>-           |              | SIZE<br>A2  | CAGE CODE<br>98278 |
| MATERIAL<br>SEE NOTES                                       |  | CUSTOMER DRAWING      |              | DRAWING NO<br>G-1532185   | RESTRICTED TO<br>- |
|   |  |                       | SCALE<br>3:1 | SHEET<br>2 OF 2   | REV<br>B           |

## Данный компонент на территории Российской Федерации

### Вы можете приобрести в компании MosChip.

Для оперативного оформления запроса Вам необходимо перейти по данной ссылке:

<http://moschip.ru/get-element>

Вы можете разместить у нас заказ для любого Вашего проекта, будь то серийное производство или разработка единичного прибора.

В нашем ассортименте представлены ведущие мировые производители активных и пассивных электронных компонентов.

Нашей специализацией является поставка электронной компонентной базы двойного назначения, продукции таких производителей как XILINX, Intel (ex.ALTERA), Vicor, Microchip, Texas Instruments, Analog Devices, Mini-Circuits, Amphenol, Glenair.

Сотрудничество с глобальными дистрибьюторами электронных компонентов, предоставляет возможность заказывать и получать с международных складов практически любой перечень компонентов в оптимальные для Вас сроки.

На всех этапах разработки и производства наши партнеры могут получить квалифицированную поддержку опытных инженеров.

Система менеджмента качества компании отвечает требованиям в соответствии с ГОСТ Р ИСО 9001, ГОСТ РВ 0015-002 и ЭС РД 009

### Офис по работе с юридическими лицами:

105318, г.Москва, ул.Щербаковская д.3, офис 1107, 1118, ДЦ «Щербаковский»

Телефон: +7 495 668-12-70 (многоканальный)

Факс: +7 495 668-12-70 (доб.304)

E-mail: [info@moschip.ru](mailto:info@moschip.ru)

Skype отдела продаж:

moschip.ru

moschip.ru\_4

moschip.ru\_6

moschip.ru\_9