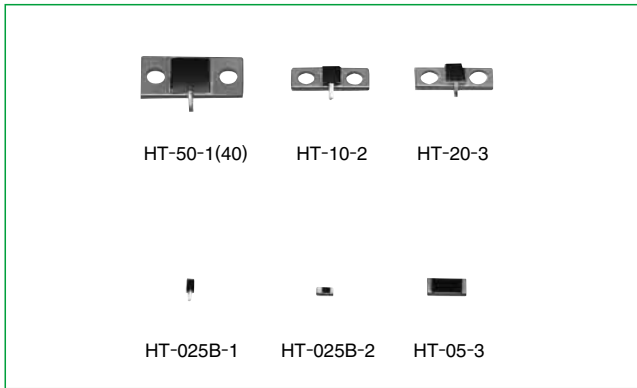


# Stripline Mounting Non-reflective Terminations

## HT Series



### ■Features

#### 1.High Performance

These super wide bandwidth/ultra high matching non-reflective termination use Hirose Electric original high frequency matching technology.

#### 2.Equipped with Tabs

Termination are equipped with tabs to permit direct mounting to flat circuits.

#### 3.Housing functions as a radiator to permit small size and high-density mounting.

### ■Product Specifications

Ratings	Rated frequency range (Note) Characteristic impedance Maximum Input Power (Note)	DC to 10 GHz 50 ohms 0.25 to 50 W	Operating temperature range Operating relative humidity	-10°C to +65°C 95% Max.
---------	--	---	--	----------------------------

NOTE: The frequency range and the maximum input power will differ depending on the products.

#### HT-025B-1, HT-025B-2, HT-10-2, HT-20-3, and HT-50-1(40)

Item	Standard	Conditions
1.Vibration	No electrical discontinuity of 1 $\mu$ s or more No damage, cracks, or parts dislocation	Frequency of 10 to 2,000 Hz, overall amplitude of 1.52 mm, acceleration of 98 m/s <sup>2</sup> for 2 hours in each of 3 directions
2.Shock		Acceleration of 490 m/s <sup>2</sup> , sine half-wave waveform, 3 cycles in each of the 3 axis
3.Temperature cycle	No damage, cracks, or parts dislocation	Temperature: -55°C → +15°C to +35°C → +85°C → +15°C to +35°C Time: 30 → 15 max. → 30 → 15 max. (Minutes) 5 cycles

●The test method conforms to MIL-STD-202.

### ■Materials

#### HT-025B-1, HT-025B-2, and HT-05-3

Part	Material	Finish
Tabs	Copper	Solder plating
Resistor	Metal film	—

#### HT-10-2, HT-20-3, and HT-50-1(40)

Part	Material	Finish
Plate	Copper	Nickel plating
Tabs	Copper	Silver plating
Resistor	Metal film	—

**HT Series** ■ **Stripline Mounting Non-reflective Terminations**

■ **Ordering Information**

**HT - 025 B - 1**  
 ①      ②      ③

**HT - 50 - 1 (40)**  
 ①      ②      ③      ④

① Series Name: HT Series	③ Suffix
② Power (Example)0.25:0.25W 1:1W	④ (40): RoHS compliant

■ **Specifications**

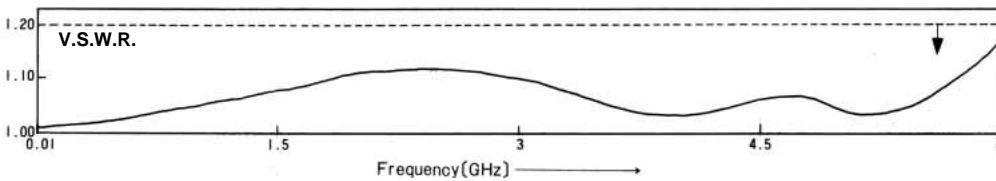
Part Number	Frequency Range (GHz)	V.S.W.R. (MAX)	Impedance (Ohms)	Power (W)	Heat Sink Temperature at Maximum Load (°C Max)	Heat Resistance (°C/W)	Weight (g)	RoHS
HT-025B-1	DC-10	1.30	50	0.25	+65	50	0.1	YES
HT-025B-2	DC-10	1.30	50	0.25	+65	50	0.1	
HT-05-3(Note)	DC-1	1.20	50	0.5	+65	150	0.3	
HT-10-2	DC-6	1.20	50	10	+65	9	0.3	
△ HT-20-3	DC-4 4-8 8-12.4 12.4-15	1.15 1.25 1.45 1.55	50	20	+65	3.8	0.6	
△ HT-50-1(40)	DC-5	1.25	50	50	+65	1.6	1.5	

△ CAUTION: Beryllia is used in this product. Please follow associated laws when disposing.

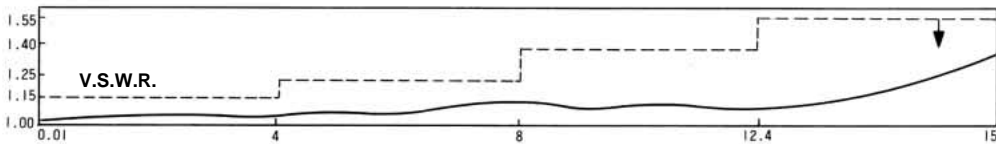
Note. HT-05-03(06): 1,000 pieces / reel

■ **Typical Data**

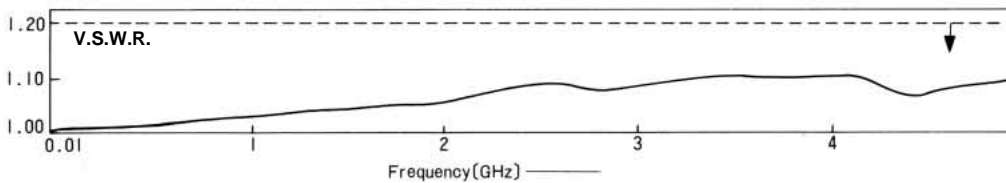
**HT-10-2**



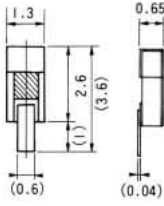
**HT-20-3**



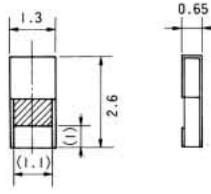
**HT-50-1(40)**



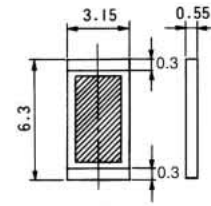
## External Dimensions



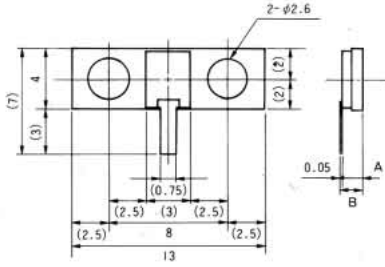
HT-025B-1



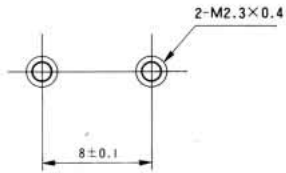
HT-025B-2



HT-05-3

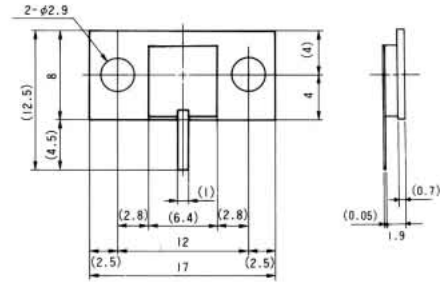


PCB Mounting Pattern

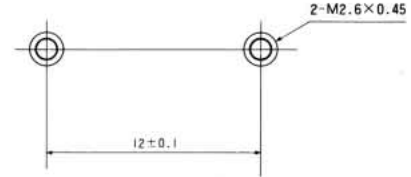


HT-10-2

HT-20-3



PCB Mounting Pattern

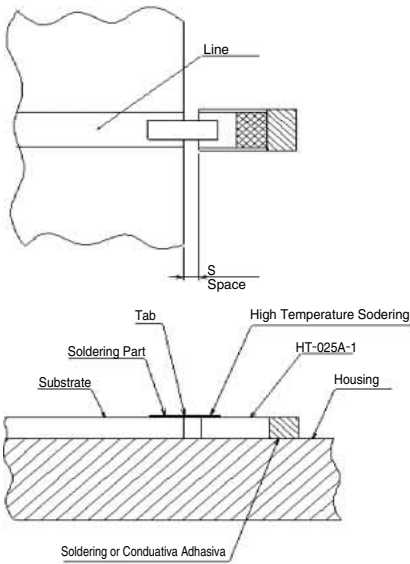


HT-50-1(40)

Part Number	A	B
HT-10-2	1.65	1.7
HT-20-3	2	2.05

## ■ Mounting Method

HT-025B-1

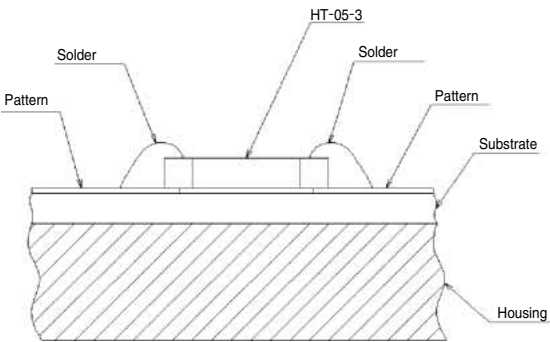


- Do not leave a space between the terminator and the microstrip board.

- Make the terminator tab height from the housing and the thickness of the microstrip board the same amount.

- Note: The HT-025B-1 type is attached with high temperature solder (having a melting point of 280°C). The soldering temperature to the microstrip board must be less than this.

HT-05-3

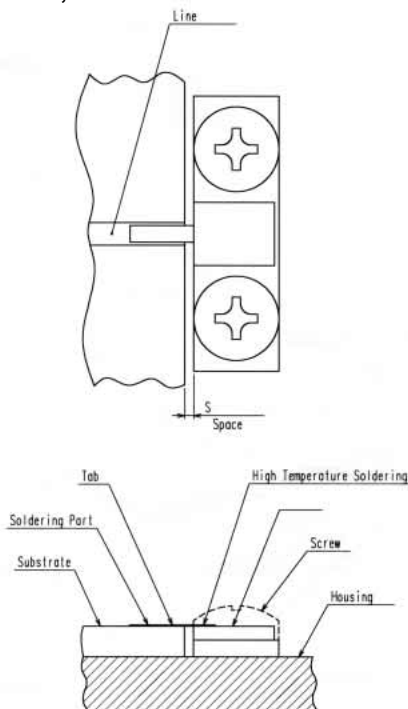


- Mounting is performed by soldering over the microstrip line pattern.

- Manual Soldering: 350°C max. for 3 sec. max.

- The resoldering of an item that has already been soldered once and then removed is not effective since solder cracks will develop at the electrode portion.

HT-10-2, HT-20-3, HT-50-1



- Do not leave a space between the terminator and the microstrip board.

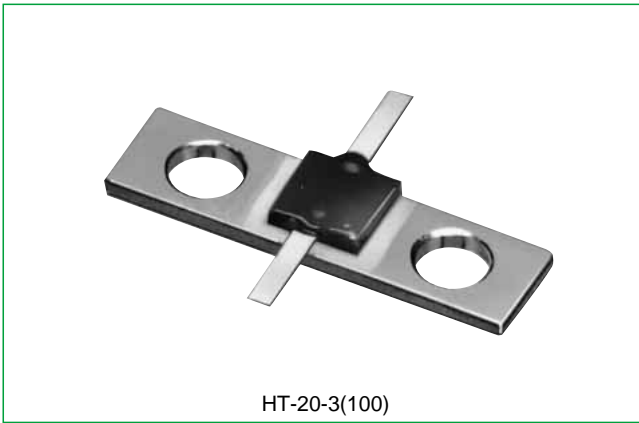
- Do not leave a space between the the microstrip board.

- Note: The HT-10-2, HT-20-3, and HT-50-1(40) tabs are attached with high temperature solder (having a melting point of 280°C). The soldering temperature to the microstrip board must be less than this.

Note: Although the high frequency characteristics will deteriorate somewhat, please attach with some slack in the tabs in order to raise the thermal reliability.

# Terminations for the Division Part of a Wilkinson Divider (100 ohms Type)

## HT Series



HT-20-3(100)

### ■Features

#### 1.High Performance

These wide bandwidth/ultra high matching non-reflective termination use Hirose Electric original high frequency matching technology.

#### 2.Equipped with Tabs

Termination are equipped with tabs to permit direct mounting to Wilkinson type flat circuits.

#### 3.High Power and Small Size

Beryllia is used for the material of the resistance element to enable the termination to be of small size and used with high power.

### ■Product Specifications

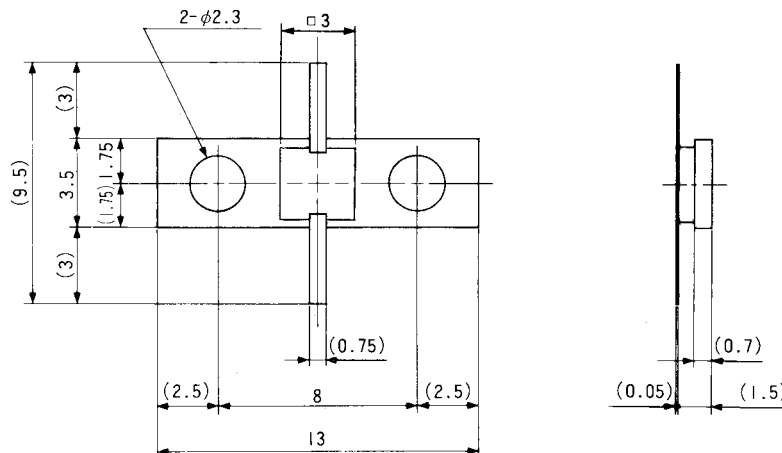
Ratings	Rated frequency range Characteristic impedance Maximum Input Power Resistance value	DC to 8.0 GHz 100 ohms 20W 100±2 ohms	Heat sink temperature at maximum output Operating temperature range Operating relative humidity Weight	+65°CMax. 10°Cto +65°C 95% Max. 0.4 g
---------	--	--	---	--

Item	Standard	Conditions
1.Vibration	No electrical discontinuity of 1 μs or more No damage, cracks, or parts dislocation	Frequency of 10 to 2000 Hz, overall amplitude of 1.52 mm, acceleration of 98 m/s <sup>2</sup> for 2 hours in each of 3 directions
2.Shock		Acceleration of 490 m/s <sup>2</sup> , sine half-wave waveform, 3 cycles in each of the 3 axis
3.Temperature cycle	No damage, cracks, or parts dislocation	Temperature: -55°C → +15°C to +35°C → +85°C → +15°C to +35°C Time: 30 → 15 max. → 30 → 15 max. (Minutes) 5 cycles

### ■Material

Part	Material	Finish
Plate	Copper	Nickel plating
Tabs	Copper	Silver plating
Resistor	Metal film	—

### ■External Dimensions



⚠ CAUTION: Beryllia is used in this product. Please follow associated laws when disposing.

## Данный компонент на территории Российской Федерации

### Вы можете приобрести в компании MosChip.

Для оперативного оформления запроса Вам необходимо перейти по данной ссылке:

<http://moschip.ru/get-element>

Вы можете разместить у нас заказ для любого Вашего проекта, будь то серийное производство или разработка единичного прибора.

В нашем ассортименте представлены ведущие мировые производители активных и пассивных электронных компонентов.

Нашей специализацией является поставка электронной компонентной базы двойного назначения, продукции таких производителей как XILINX, Intel (ex.ALTERA), Vicor, Microchip, Texas Instruments, Analog Devices, Mini-Circuits, Amphenol, Glenair.

Сотрудничество с глобальными дистрибьюторами электронных компонентов, предоставляет возможность заказывать и получать с международных складов практически любой перечень компонентов в оптимальные для Вас сроки.

На всех этапах разработки и производства наши партнеры могут получить квалифицированную поддержку опытных инженеров.

Система менеджмента качества компании отвечает требованиям в соответствии с ГОСТ Р ИСО 9001, ГОСТ РВ 0015-002 и ЭС РД 009

### Офис по работе с юридическими лицами:

105318, г.Москва, ул.Щербаковская д.3, офис 1107, 1118, ДЦ «Щербаковский»

Телефон: +7 495 668-12-70 (многоканальный)

Факс: +7 495 668-12-70 (доб.304)

E-mail: [info@moschip.ru](mailto:info@moschip.ru)

Skype отдела продаж:

moschip.ru

moschip.ru\_4

moschip.ru\_6

moschip.ru\_9