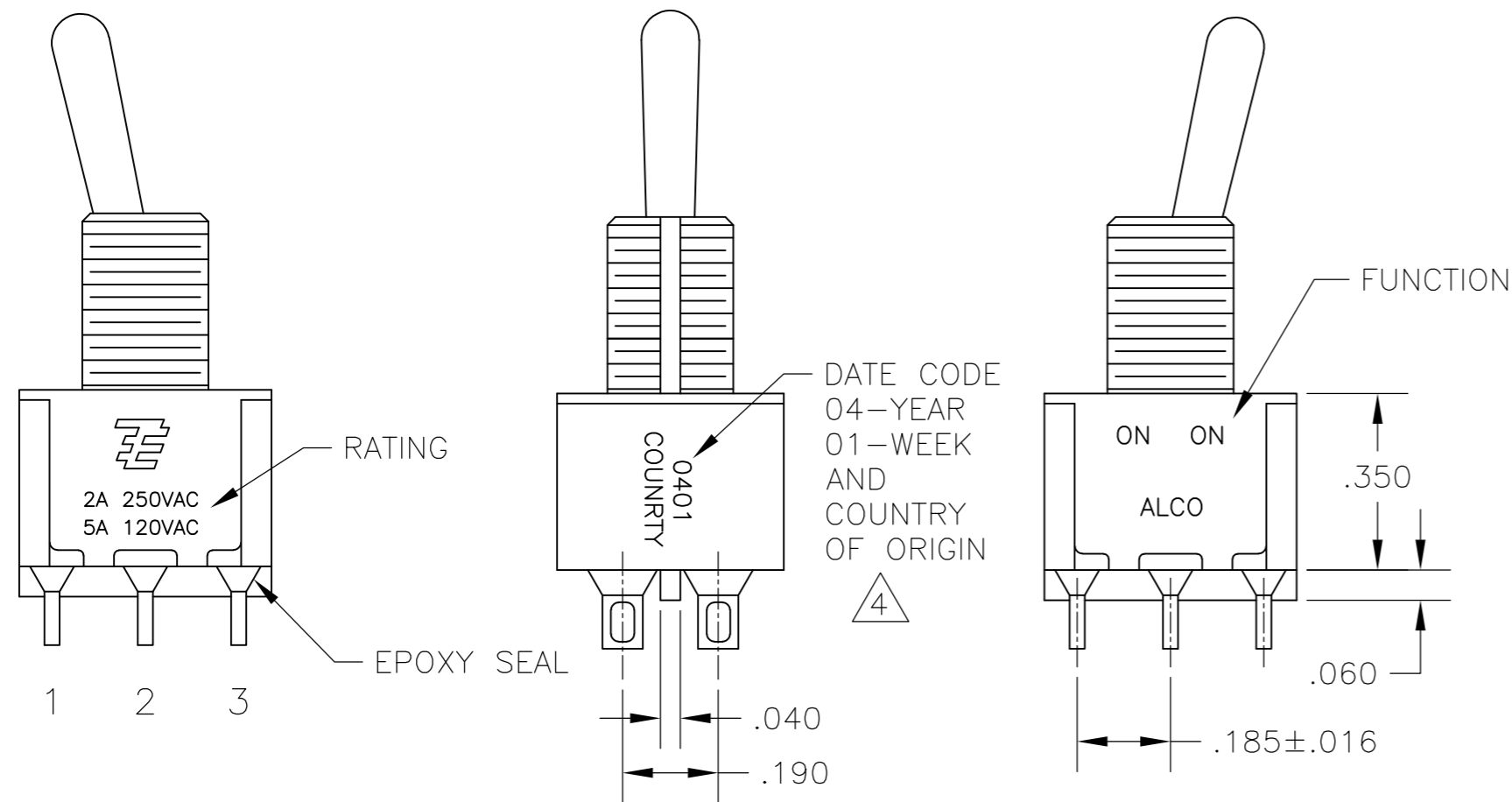
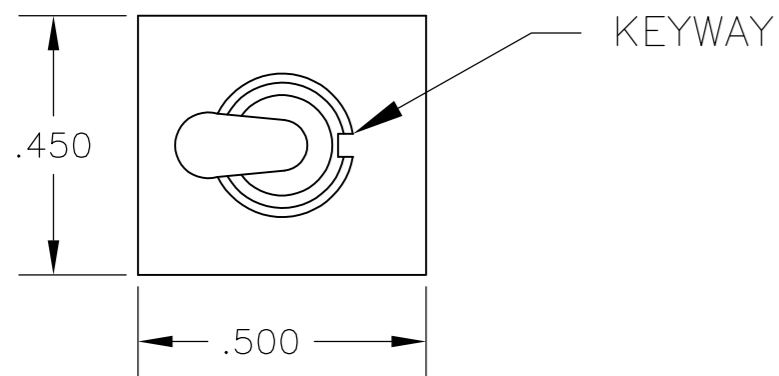


THIS DRAWING IS UNPUBLISHED. RELEASED FOR PUBLICATION
 © COPYRIGHT - By - ALL RIGHTS RESERVED.

| LOC | | DIST | | REVISIONS | | | |
|-----|-----|-------------|---------------------------|-----------|-----|------|--|
| P | LTR | DESCRIPTION | | DATE | DWN | APVD | |
| AD | 00 | A5 | REVISED PER ECO-14-005988 | 23APR2014 | NK | RH | |



- ALL MATERIALS AND FINISHES SHALL COMPLY WITH EU DIRECTIVE 2002/95/EC OF 27JAN2003 (ROHS).
- EACH SWITCH WITH THREADED BUSHINGS SUPPLIED WITH THE FOLLWING MOUNTING HARDWARE:
 (2) HEX NUTS
 (1) INTERNAL TOOTH LOCKWASHER
 (1) LOCATING RING.
- G CONTACT OPTION CAN BE USED FOR SIGNAL OR POWER LEVEL SWITCHING. IF SWITCH IS USED AT LEVELS EXCEEDING .4VA @ 20V AC/DC, SWITCH IS RENDERED FOR POWER SWITCHING ONLY DUE TO ARC REMOVAL OF GOLD PLATING. RATING MARKED ON FRAME IS 2A 250VAC, 5A 120 VAC.
- DATE CODE AND COUNTRY OF ORIGIN MAY APPEAR ON EITHER SIDE OF SWITCH.
- LENGTH OF TOGGLE REDUCED BY .020 WITH A, AV2, V30 OR V40 VERTICAL SUPPORT BRACKET OPTIONS.
- ALL LOGO, RATING, DATE CODE, AND FUNCTION MARKINGS TO BE LASER MARKED.

| FUNCTION | 1 2 3 4 5 6 | 1 2 3 4 5 6 | 1 2 3 4 5 6 |
|---------------------|----------------|----------------|----------------|
| 01 | ON | NONE | ON |
| 08 | ON | NONE | (ON) |
| TERMINALS CONNECTED | 2-3, 5-6 | --- | 1-2, 4-5 |

None: No mechanical position
 Off: Mechanical position with no electrical connection
 (On): Momentary action

| | |
|---------------------------------|---|
| RATING, B CONTACTS | .4VA MAX @20V MAX. AC OR DC |
| RATING, G CONTACTS—SEE NOTE 3 | .4VA MAX @20V MAX. AC OR DC OR 5A @120 VAC OR 28 VDC (RESISTIVE) |
| | 2A @250 VAC (RESISTIVE) |
| RATING, Q CONTACTS | 5A @120 VAC OR 28 VDC (RESISTIVE) |
| | 2A @250 VAC (RESISTIVE) |
| ELECTRICAL LIFE | 6,000 CYCLES AT RATED LOAD |
| CONTACT RESISTANCE | 10 MILLIOHMS MAX INITIAL @ 2-4VDC, 100ma |
| INSULATION RESISTANCE | 1,000 MEGOHMS MIN |
| DIELECTRIC WITHSTANDING VOLTAGE | 1,000 V RMS AT SEA LEVEL |
| OPERATING TEMPRATURE | -30C TO 85C |

| MODEL | FUNCTION | TOGGLE | BUSHING | TERMINAL | CONTACT | RoHS |
|-------|----------|--------|---------|----------|---------|------|
| A2 | 01 | K | CW | A | B | 04 |
| | | K1 | D | AV2 | G | |
| | 08 | L | D9 | C | Q | |
| | | L1 | H | V30 | | |
| | | L2 | Y | V40 | | |
| | | M | Y9 | V70 | | |
| | | P3 | | W | | |
| | | S | | W4 | | |
| | | T | | Z | | |
| | | T1 | | Z3 | | |

EXAMPLE: A201SYCQ04

| | | | | | |
|--|--|------------------|---------|--|---------------|
| THIS DRAWING IS A CONTROLLED DOCUMENT. | | DWN M. ZITTO | 18MAY05 | | |
| DIMENSIONS: INCHES | | CHK M. ZITTO | | | |
| TOLERANCES UNLESS OTHERWISE SPECIFIED: | | APVD M. ZITTO | | NAME | |
| 0 PLC ± - | | PRODUCT SPEC | | GEMINI A SERIES TOGGLE SWITCH, DOUBLE POLE, 2 POSITION FUNCTIONS (01 & 08) | |
| 1 PLC ± - | | APPLICATION SPEC | | SIZE | RESTRICTED TO |
| 2 PLC ± - | | | | A2 | |
| 3 PLC ± .010 | | | | CAGE CODE | DRAWING NO |
| 4 PLC ± - | | | | 00779 | C=1825138 |
| ANGLES ± 2° | | | | SCALE | SHEET |
| MATERIAL | | FINISH | | 3:1 | 1 of 4 |
| | | | | CUSTOMER DRAWING | REV A5 |

THIS DRAWING IS UNPUBLISHED. RELEASED FOR PUBLICATION
 © COPYRIGHT - By - ALL RIGHTS RESERVED.

| REVISONS | | DATE | DWN | APVD |
|-------------|-----|------|-----|------|
| P | LTR | | | |
| SEE SHEET 1 | | - | - | - |

TOGGLES



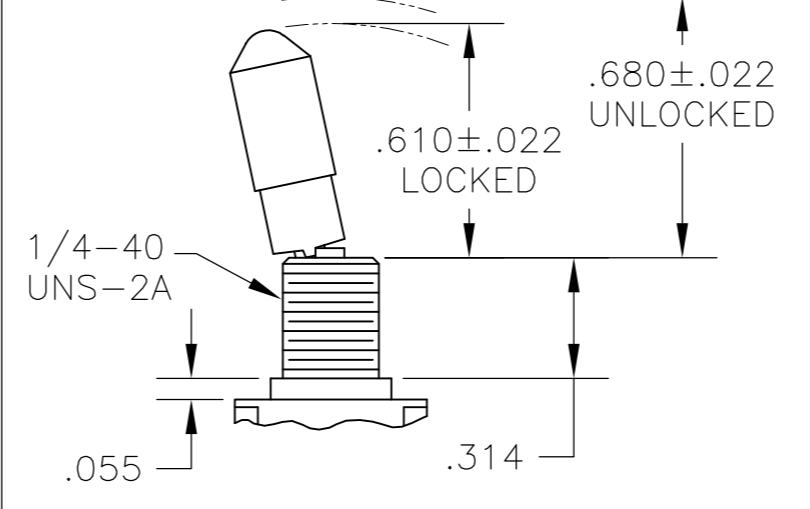
M SHORT



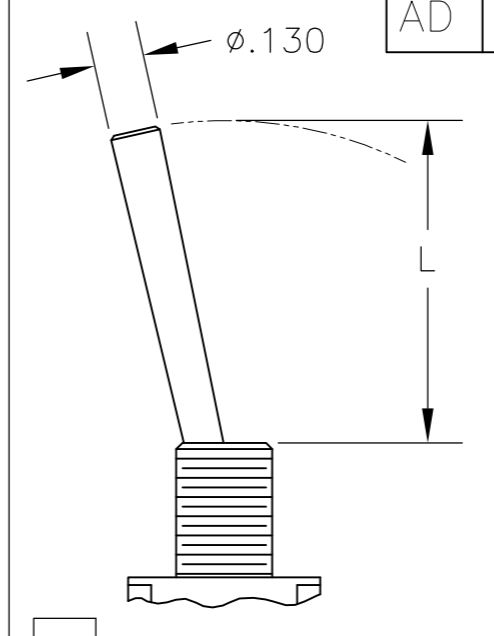
S STANDARD



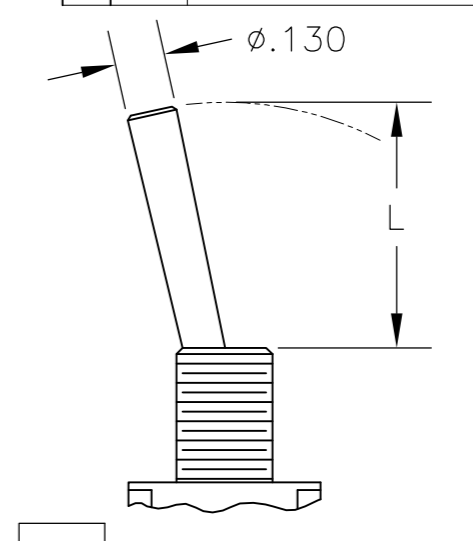
K NO BUSHING OPTION NEEDED



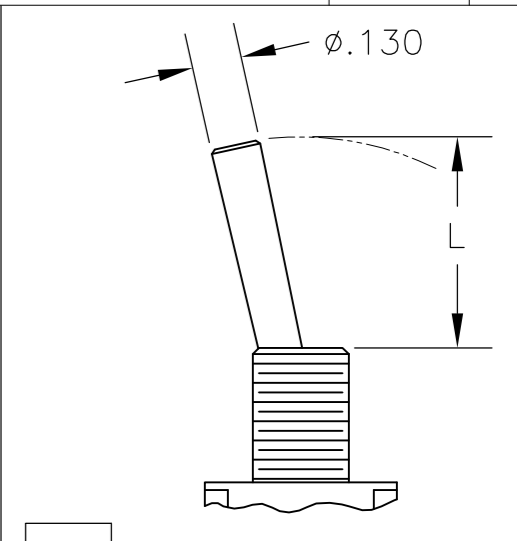
K1 NO BUSHING OPTION NEEDED



L LEVER



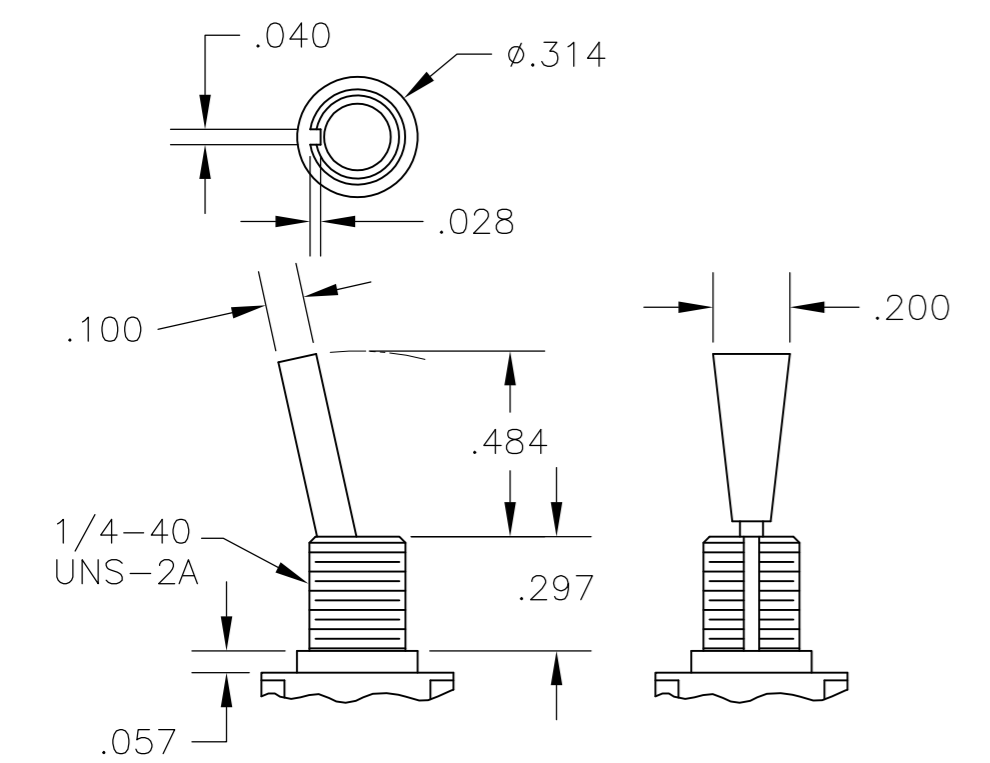
L1 LEVER



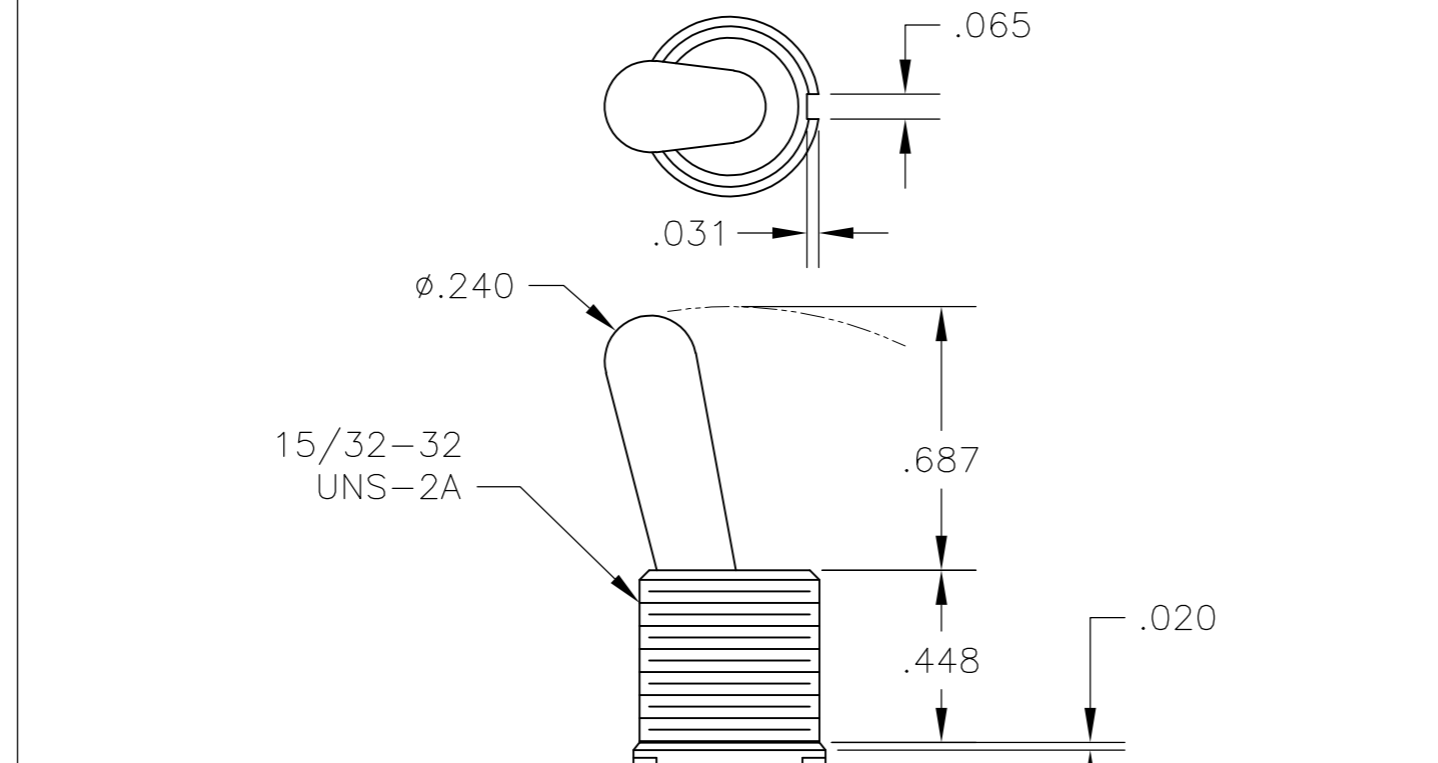
L2 LEVER

| DIM L | BUSHING TYPE | DIM L | BUSHING TYPE |
|-------|--------------|-------|--------------|
| .200 | Y, H | .410 | Y, H |
| .270 | D, D9 | .480 | D, D9 |

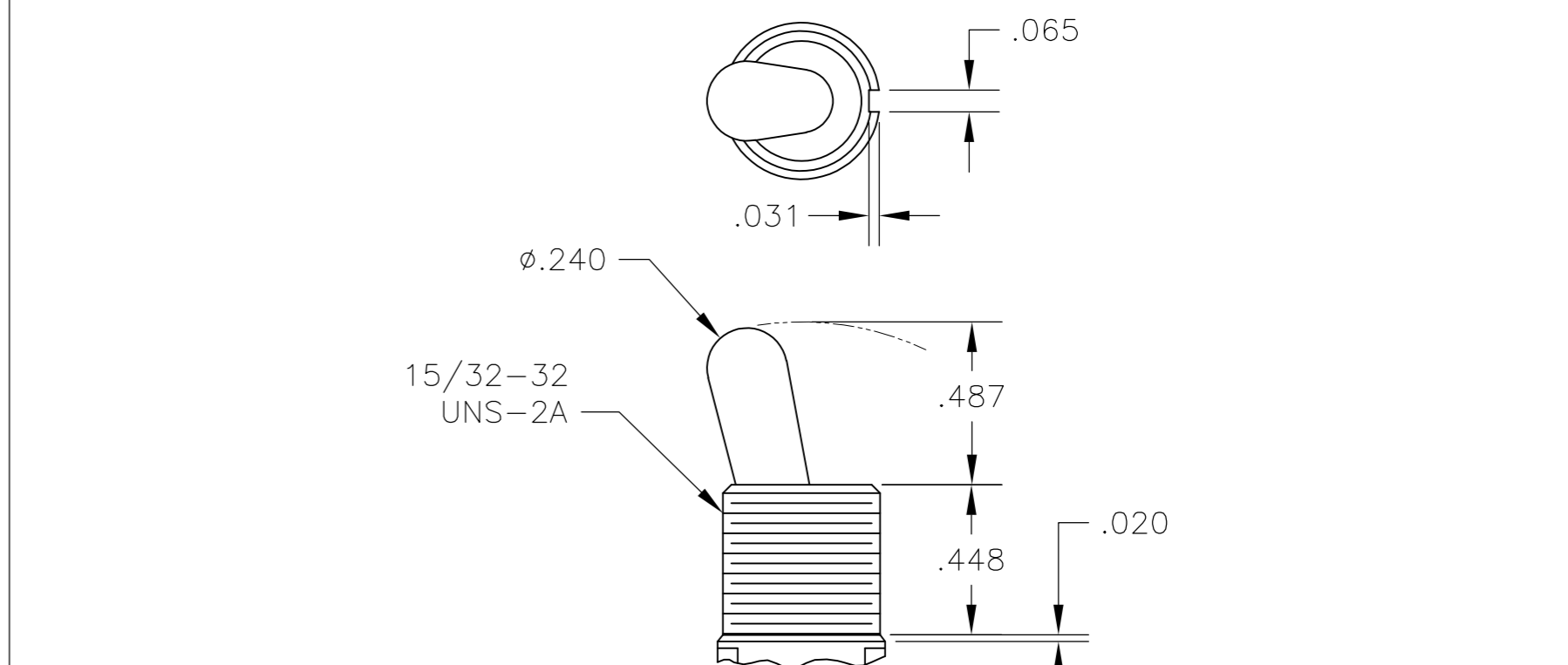
| DIM L | BUSHING TYPE | DIM L | BUSHING TYPE | DIM L | BUSHING TYPE |
|-------|--------------|-------|--------------|-------|--------------|
| .840 | Y, H | .640 | Y, H | .550 | Y, H |
| .910 | D, D9 | .710 | D, D9 | .620 | D, D9 |



P3 NO BUSHING OPTION NEEDED



T NO BUSHING OPTION NEEDED



T1 NO BUSHING OPTION NEEDED

BUSHINGS



D THREADED
D9 UNTHREADED

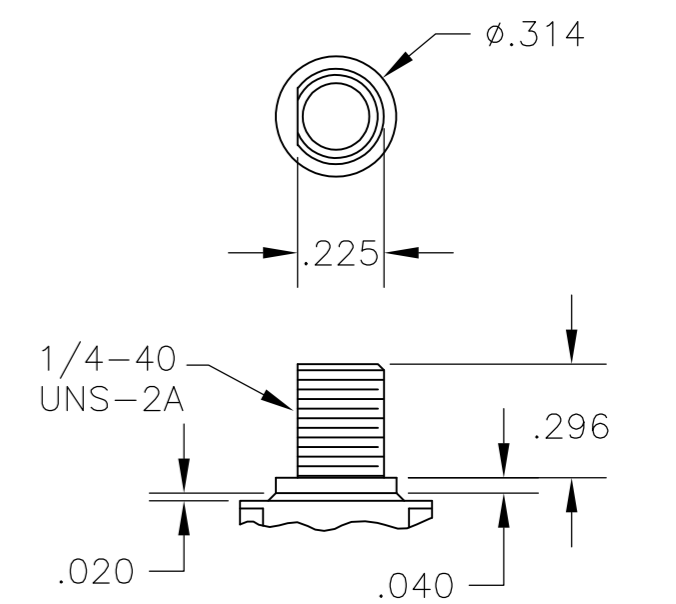


Y THREADED
Y9 UNTHREADED

CONTAINS O-RING BETWEEN TOGGLE AND BUSHING AND BETWEEN BUSHING AND PANEL



CW THREADED SPLASHPROOF

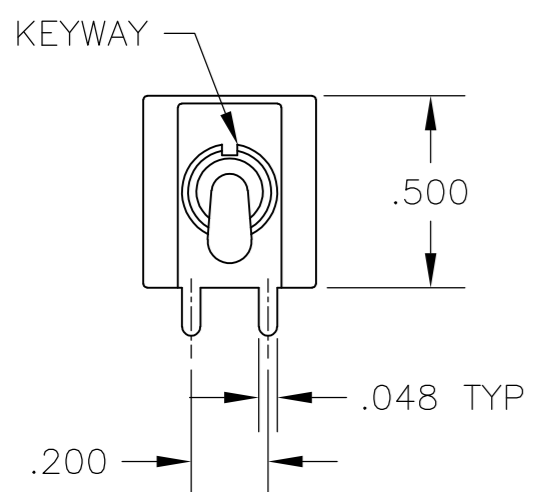


H HIGH TORQUE

| | | | | | |
|--|---|------------------|--|---------|---------------------|
| THIS DRAWING IS A CONTROLLED DOCUMENT. | | DWN | M. ZITTO | 14APR05 | TE Connectivity |
| DIMENSIONS: INCHES | | CHK | M. ZITTO | - | |
| TOLERANCES UNLESS OTHERWISE SPECIFIED: | | APVD | P. BROUILLETTE | - | |
| 0 PLC ± - 1 PLC ± - 2 PLC ± - 3 PLC ± .010 4 PLC ± - ANGLES ± - FINISH - | | PRODUCT SPEC | GEMINI A SERIES TOGGLE SWITCH, DOUBLE POLE, 2 POSITION FUNCTIONS (01 & 08) | | |
| MATERIAL | - | APPLICATION SPEC | - | | RESTRICTED TO |
| - | | WEIGHT | - | | SIZE |
| - | | CUSTOMER DRAWING | A2 | 00779 | CAGE CODE |
| - | | SCALE | 2:1 | | DRAWING NO |
| - | | SHEET | 2 of 4 | | REV |
| - | | REV | A5 | | |

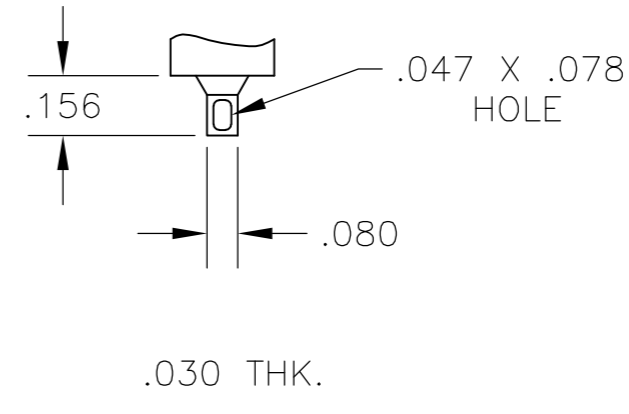
THIS DRAWING IS UNPUBLISHED. RELEASED FOR PUBLICATION
 © COPYRIGHT - By - ALL RIGHTS RESERVED.

| LOC | | DIST | | REVISIONS | | | | |
|-----|-----|-------------|------|-----------|------|--|--|--|
| P | LTR | DESCRIPTION | DATE | DWN | APVD | | | |
| AD | 00 | SEE SHEET 1 | - | - | - | | | |

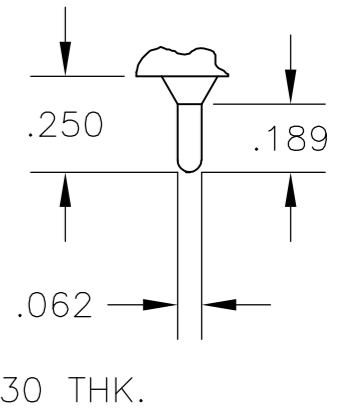


RECOMMENDED PCB LAYOUT

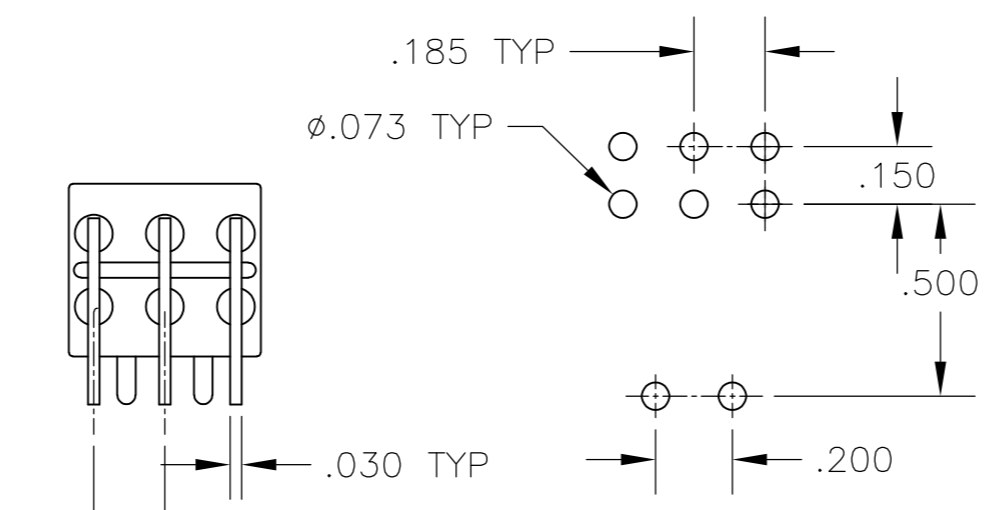
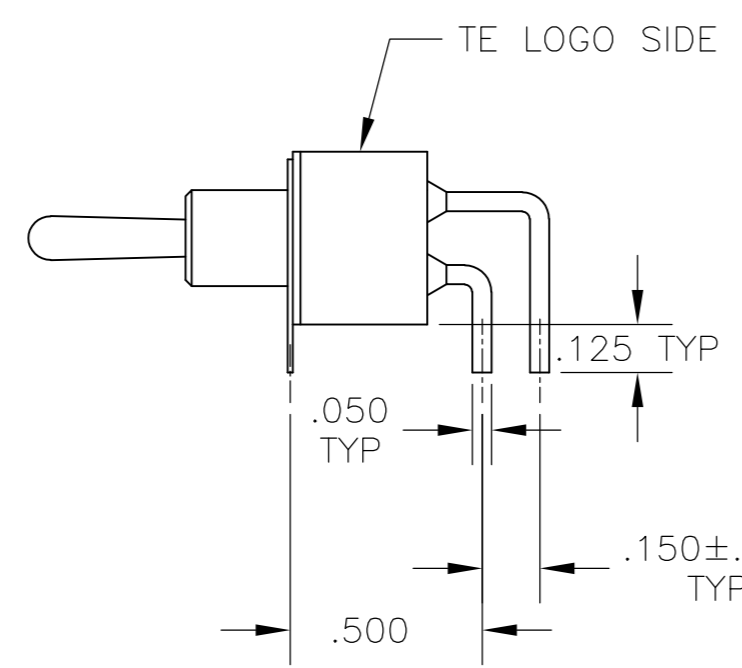
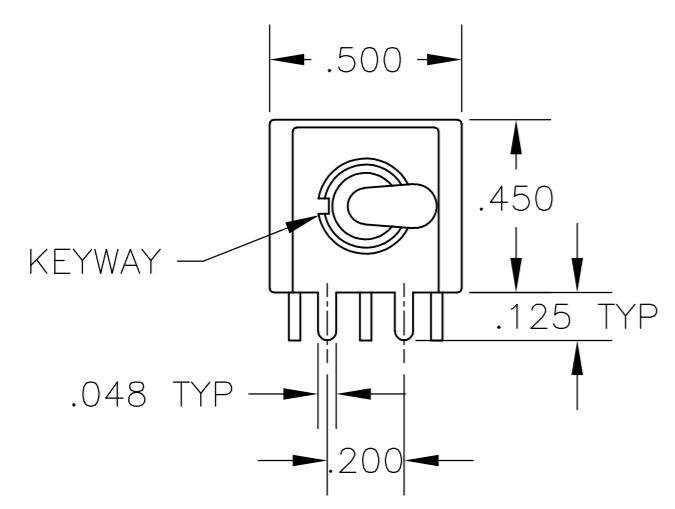
AV2 VERTICAL RIGHT ANGLE $\triangle 5$



Z WIRE LUG



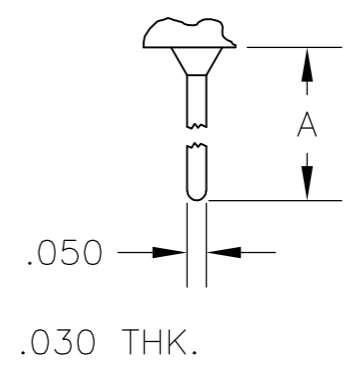
Z3 QUICK CONNECT



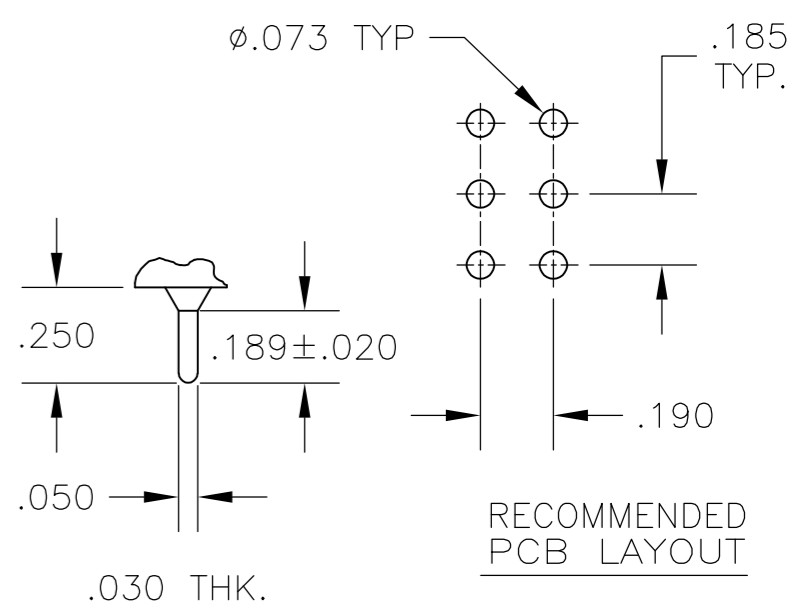
RECOMMENDED PCB LAYOUT

A RIGHT ANGLE $\triangle 5$

| OPTION | DIM A |
|--------|-------|
| W | .736 |
| W4 | 1.062 |

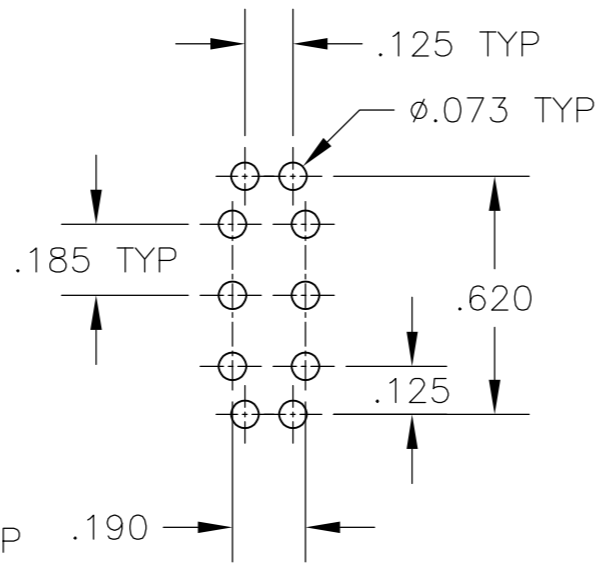
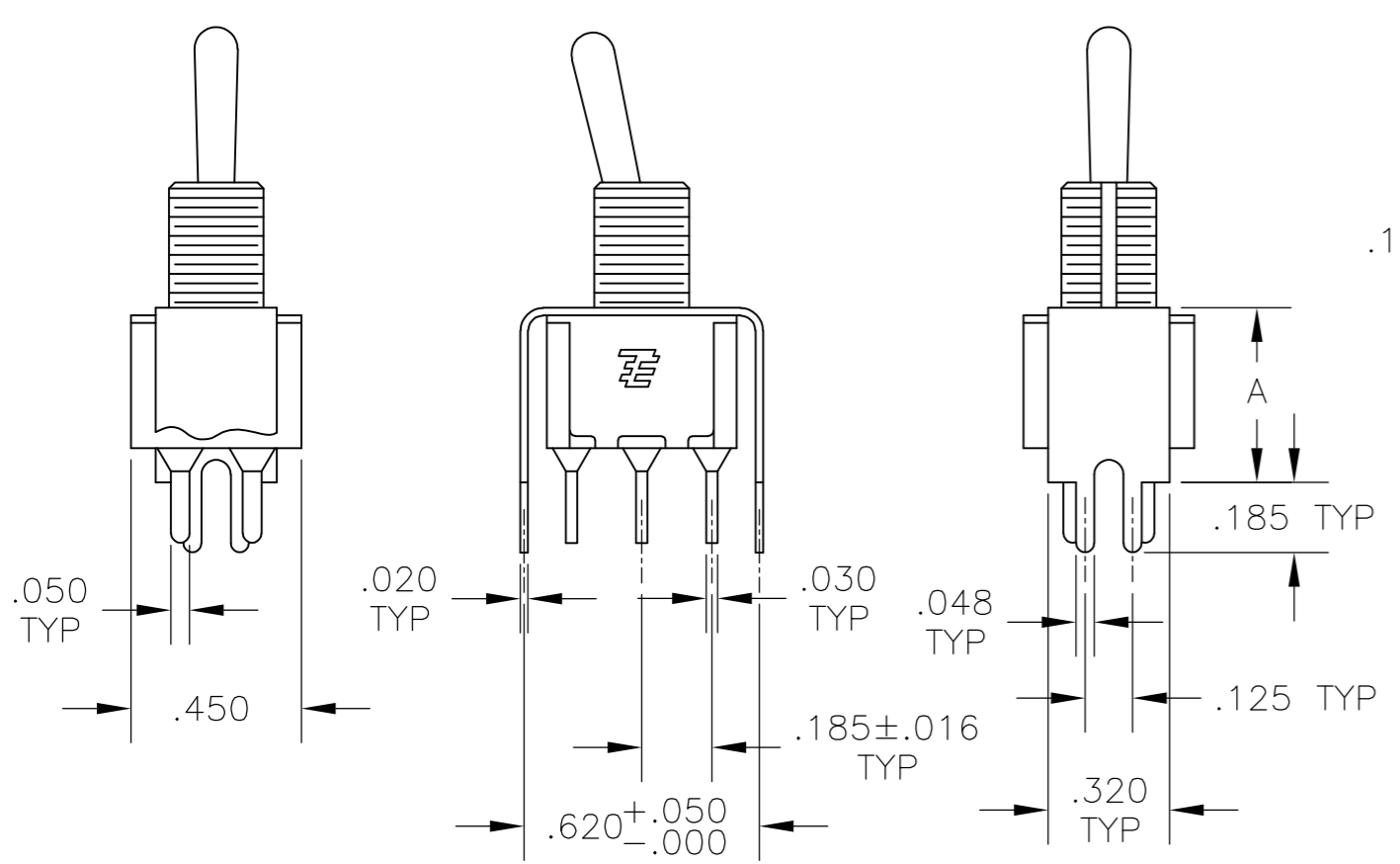


W W4 WIRE WRAP



RECOMMENDED PCB LAYOUT

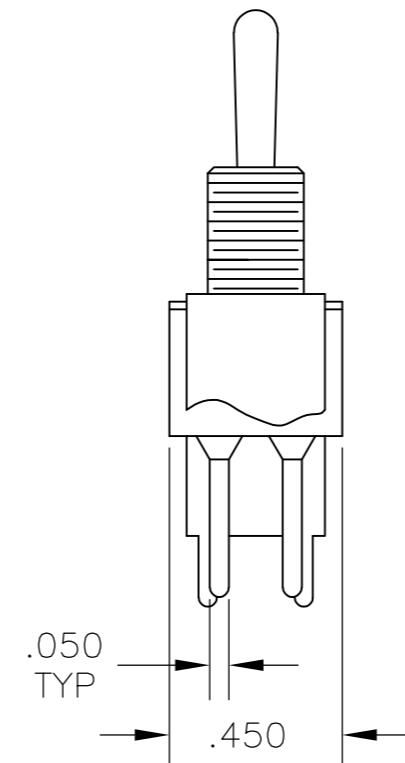
C PRINTED CIRCUIT



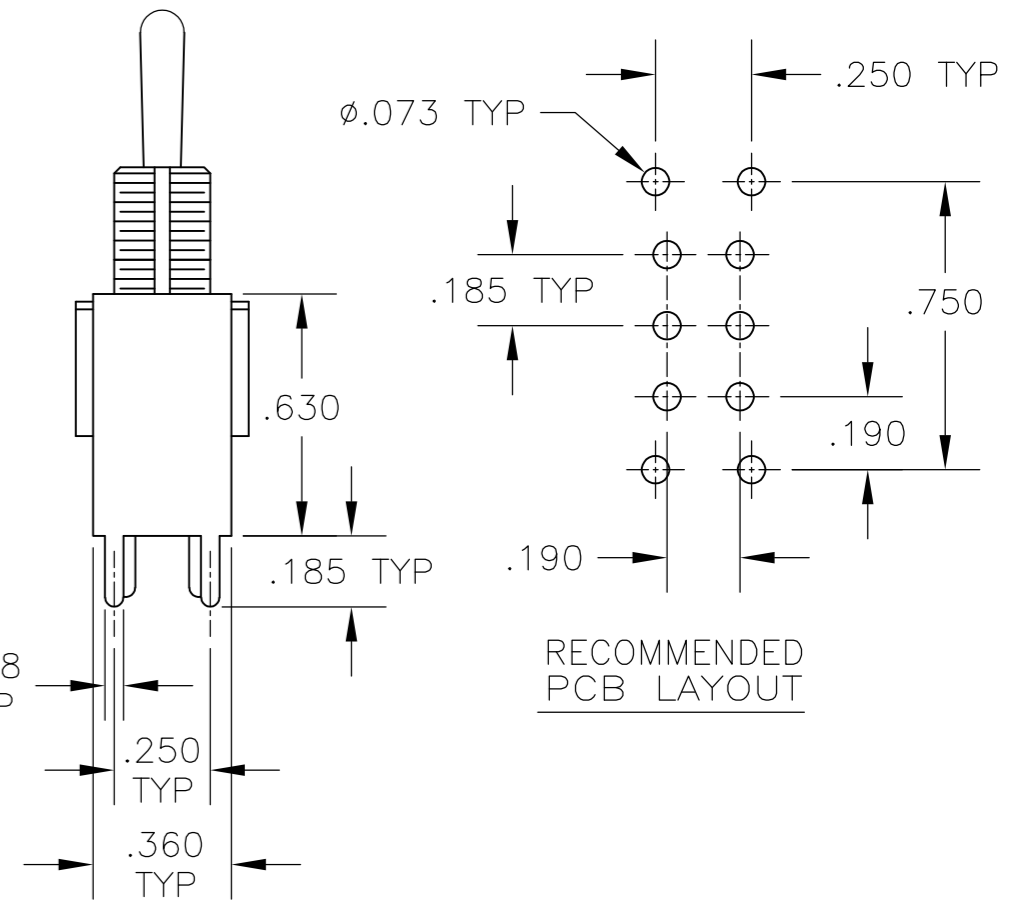
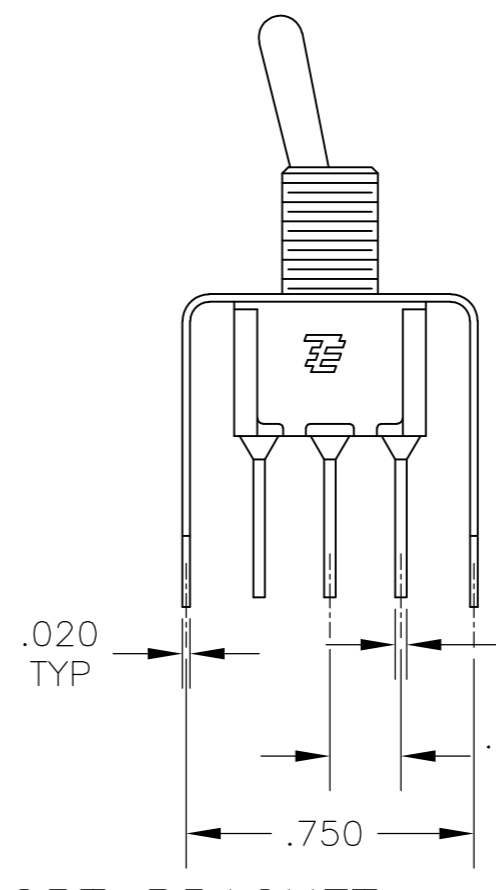
RECOMMENDED PCB LAYOUT

| OPTION | DIM A |
|--------|-------|
| V30 | .460 |
| V40 | .630 |

V30 V40 $\triangle 5$
 VERTICAL SUPPORT BRACKET



V70



RECOMMENDED PCB LAYOUT

VERTICAL SUPPORT BRACKET

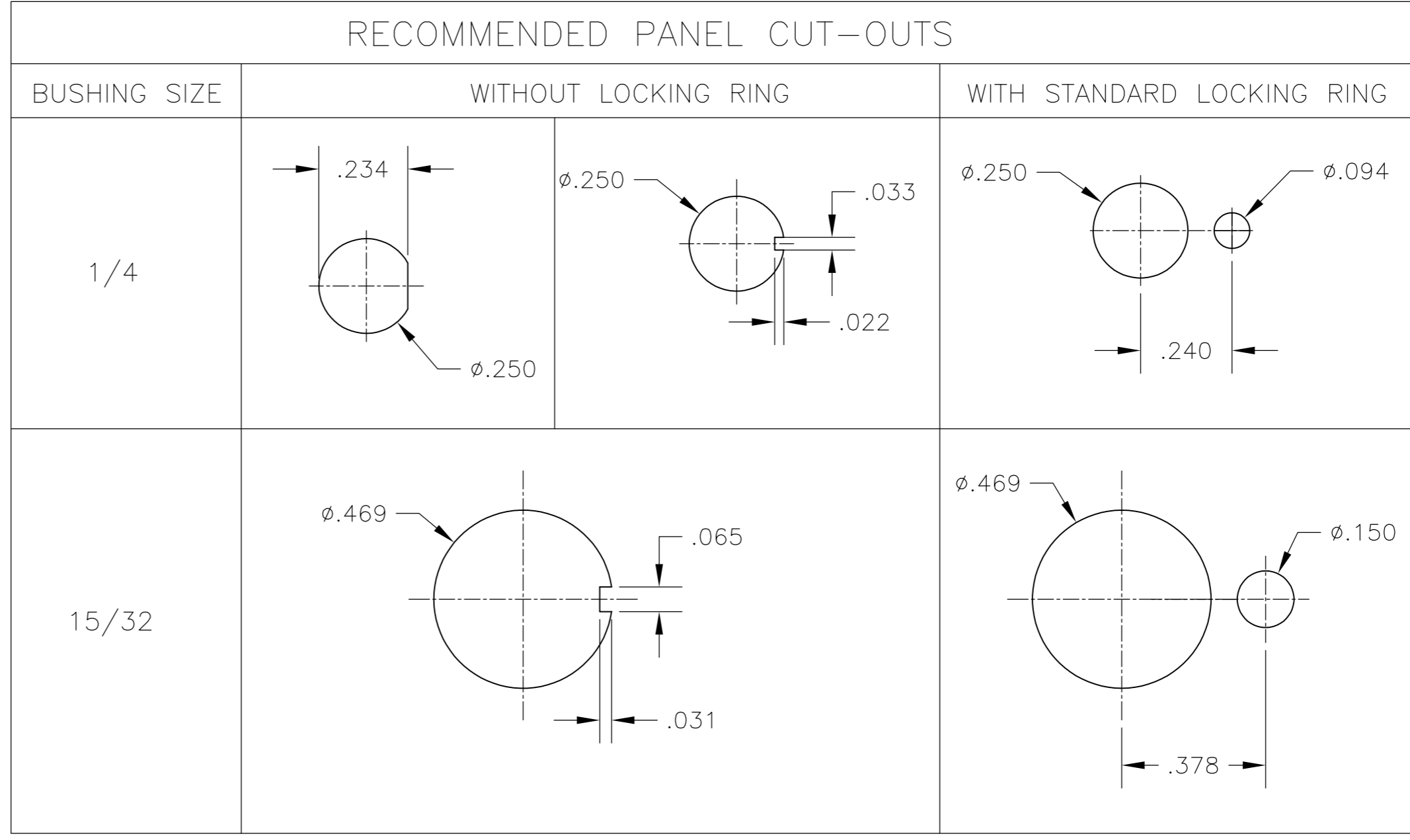
THIS DRAWING IS A CONTROLLED DOCUMENT.

| | | | | | |
|--------------------|--|----------------------|---------|--|------------------|
| DIMENSIONS: INCHES | TOLERANCES UNLESS OTHERWISE SPECIFIED: | DWN: M. ZITTO | 14APR05 | | TE Connectivity |
| | | CHK: M. ZITTO | | | |
| | | APVD: P. BROUILLETTE | | NAME: GEMINI A SERIES TOGGLE SWITCH, DOUBLE POLE, 2 POSITION FUNCTIONS (01 & 08) | |
| | | PRODUCT SPEC | | SIZE: A2 | CAGE CODE: 00779 |
| | | APPLICATION SPEC | | DRAWING NO: C=1825138 | RESTRICTED TO: - |
| MATERIAL: - | FINISH: - | WEIGHT: - | | SCALE: 2:1 | SHEET: 3 of 4 |
| | | CUSTOMER DRAWING | | | REV: A5 |

THIS DRAWING IS UNPUBLISHED. RELEASED FOR PUBLICATION
 © COPYRIGHT - By - ALL RIGHTS RESERVED.

| LOC | DIST | REVISIONS | | | | | |
|-----|------|-----------|-----|-------------|------|-----|------|
| AD | 00 | P | LTR | DESCRIPTION | DATE | DWN | APVD |
| | | - | - | SEE SHEET 1 | - | - | - |

| Alco P/N | P/N | |
|----------------|-------------|-------------|
| A201KAB04 | 1825138-1 | |
| A201KD9AQ04 | 1825138-2 | |
| A201KZQ04 | 1825138-3 | |
| not assigned | 1825138-4 | |
| A201L1D9V30Q04 | 1825138-5 | |
| A201MD9AB04 | 1825138-6 | |
| A201MD9AQ04 | 1825138-7 | |
| A201MD9AV2B04 | 1825138-8 | |
| A201MD9AV2Q04 | 1825138-9 | |
| A201MDAQ04 | 1-1825138-0 | |
| not assigned | 1-1825138-1 | |
| A201MYAQ04 | 1-1825138-2 | |
| A201MYCB04 | 1-1825138-3 | |
| A201MYZQ04 | 1-1825138-4 | |
| A201P3ZQ04 | 1-1825138-5 | |
| A201SCWZB04 | 1-1825138-6 | |
| A201SD9AQ04 | 1-1825138-7 | |
| A201SD9AV2Q04 | 1-1825138-8 | |
| A201SDCB04 | 1-1825138-9 | |
| A201SDZQ04 | 2-1825138-0 | |
| A201SY9AB04 | 2-1825138-1 | |
| A201SYAB04 | 2-1825138-2 | |
| A201SYAQ04 | 2-1825138-3 | |
| A201SYCB04 | 2-1825138-4 | |
| A201SYCQ04 | 2-1825138-5 | |
| A201SYWQ04 | 2-1825138-6 | |
| A201SYZB04 | 2-1825138-7 | |
| A201SYZQ04 | 2-1825138-8 | |
| A201T1ZQ04 | 2-1825138-9 | |
| not assigned | 3-1825138-0 | |
| A201TZQ04 | 3-1825138-1 | |
| A208KZG04 | 3-1825138-2 | |
| A208P3ZQ04 | 3-1825138-3 | |
| A208SD9AQ04 | 3-1825138-4 | |
| A208SD9AV2Q04 | 3-1825138-5 | |
| A208SYCB04 | 3-1825138-6 | |
| A208SYCQ04 | 3-1825138-7 | |
| A208SYZQ04 | 3-1825138-8 | |
| A208T1ZQ04 | 3-1825138-9 | |
| A208TZQ04 | 4-1825138-0 | |
| A208SDCQ04 | 4-1825138-1 | PRELIMINARY |
| A201P3V30G04 | 4-1825138-2 | PRELIMINARY |
| A203MD9AQ-UL | 4-1825138-3 | PRELIMINARY |
| A201MCWCB04 | 4-1825138-4 | PRELIMINARY |
| A201SCWCB04 | 4-1825138-5 | PRELIMINARY |



MATERIALS CHART

| COMPONENT NAME | BASE MATERIAL | FINISH |
|------------------------|---------------------------|------------------|
| CASE | DAP, RED, UL94 V-0 | |
| FRAME | STAINLESS STEEL | |
| B TERMINALS & CONTACTS | COPPER | GOLD OVER NICKEL |
| G TERMINALS & CONTACTS | COPPER | GOLD OVER SILVER |
| Q TERMINALS & CONTACTS | COPPER | .000400 SILVER |
| ACTUATOR | PHENOLIC, BLACK, UL94 V-1 | |
| LEVER | BRASS | CHROME |
| BUSHING | BRASS | NICKEL |
| SPRING | MUSIC WIRE | |
| SUPPORT BRACKET | BRASS | TIN |
| PIVOT PIN | STEEL | NICKEL |
| LOCK WASHER | STAINLESS STEEL | |
| LOCKING RING | STAINLESS STEEL | |
| NUTS | C3604BD BRASS | NICKEL |
| TERMINAL SEAL | EPOXY | |

THIS DRAWING IS A CONTROLLED DOCUMENT.

| | | | | | | |
|------------------|----------------|---------|--|-----------|------------|---------------|
| DWN | M. ZITTO | 14APR05 | STE TE Connectivity | | | |
| CHK | M. ZITTO | - | | | | |
| APVD | P. BROUILLETTE | - | | | | |
| PRODUCT SPEC | | | | | | |
| APPLICATION SPEC | | | NAME | | | |
| | | | GEMINI A SERIES TOGGLE SWITCH, DOUBLE POLE, 2 POSITION FUNCTIONS (01 & 08) | | | |
| WEIGHT | - | | SIZE | CAGE CODE | DRAWING NO | RESTRICTED TO |
| | | | A2 | 00779 | C=1825138 | - |
| CUSTOMER DRAWING | | | SCALE | SHEET | REV | |
| | | | 3:1 | 4 of 4 | A5 | |

1825138

Данный компонент на территории Российской Федерации

Вы можете приобрести в компании MosChip.

Для оперативного оформления запроса Вам необходимо перейти по данной ссылке:

<http://moschip.ru/get-element>

Вы можете разместить у нас заказ для любого Вашего проекта, будь то серийное производство или разработка единичного прибора.

В нашем ассортименте представлены ведущие мировые производители активных и пассивных электронных компонентов.

Нашей специализацией является поставка электронной компонентной базы двойного назначения, продукции таких производителей как XILINX, Intel (ex.ALTERA), Vicor, Microchip, Texas Instruments, Analog Devices, Mini-Circuits, Amphenol, Glenair.

Сотрудничество с глобальными дистрибьюторами электронных компонентов, предоставляет возможность заказывать и получать с международных складов практически любой перечень компонентов в оптимальные для Вас сроки.

На всех этапах разработки и производства наши партнеры могут получить квалифицированную поддержку опытных инженеров.

Система менеджмента качества компании отвечает требованиям в соответствии с ГОСТ Р ИСО 9001, ГОСТ РВ 0015-002 и ЭС РД 009

Офис по работе с юридическими лицами:

105318, г.Москва, ул.Щербаковская д.3, офис 1107, 1118, ДЦ «Щербаковский»

Телефон: +7 495 668-12-70 (многоканальный)

Факс: +7 495 668-12-70 (доб.304)

E-mail: info@moschip.ru

Skype отдела продаж:

moschip.ru

moschip.ru_4

moschip.ru_6

moschip.ru_9